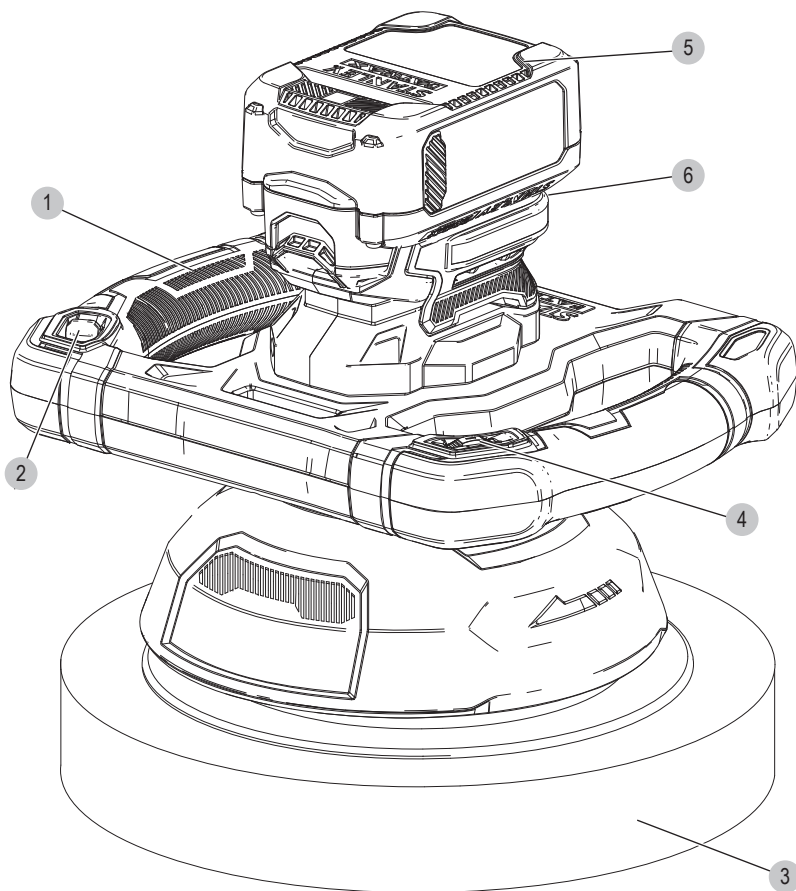


STANLEY[®] FATMAX[®] V20 LITHIUM ION



www.stanley.eu

SFMCE100

English (original instructions)	5
Deutsch (<i>übersetzt von den originalanweisungen</i>)	11
Français (<i>traduction de la notice d'instructions originale</i>)	17
Italiano (<i>tradotto dalle istruzioni originali</i>)	23
Nederlands (<i>vertaald vanuit de originele instructies</i>)	29
Español (<i>traducido de las instrucciones originales</i>)	35
Português (<i>traduzido das instruções originais</i>)	41
Svenska (<i>översatt från de ursprungliga instruktionerna</i>)	47
Norsk (<i>oversatt fra de originale instruksjonene</i>)	52
Dansk (<i>oversat fra original brugsvejledning</i>)	57
Suomi (<i>käännetty alkuperäisestä käyttöohjeesta</i>)	62
Ελληνικά (<i>μετάφραση από τις πρωτότυπες οδηγίες</i>)	67

Fig. A

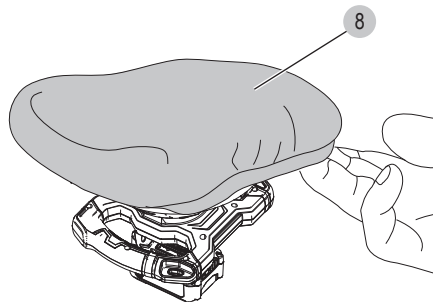


Fig. B

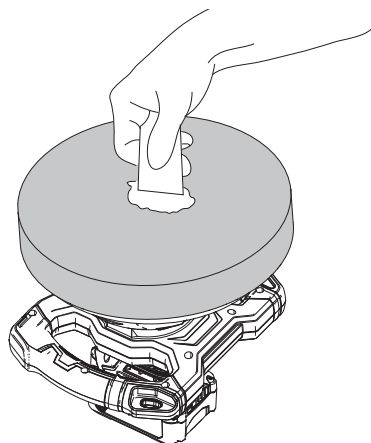


Fig. C

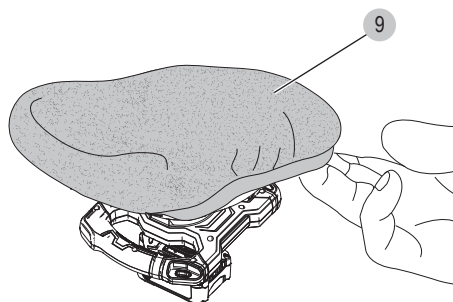


Fig. D

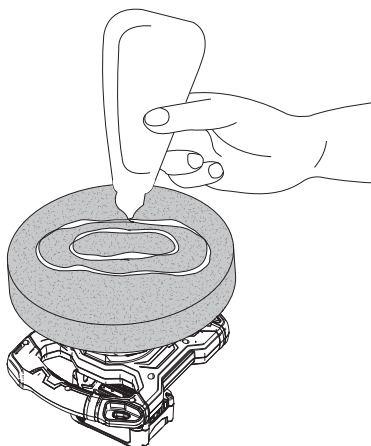


Fig. E

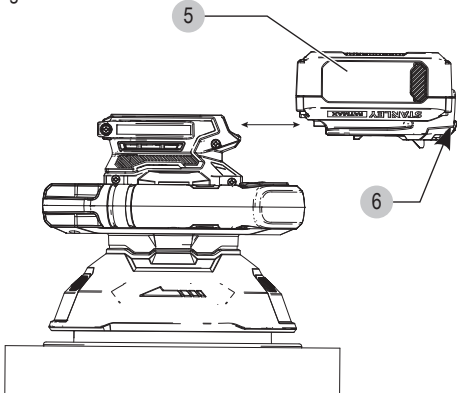


Fig. F

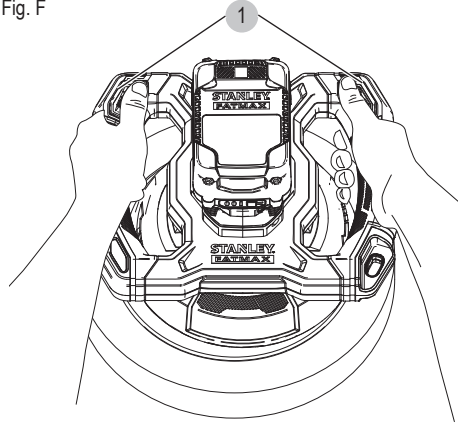
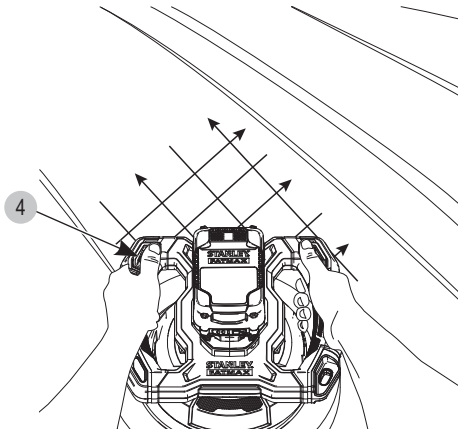


Fig. G



Intended use

Your STANLEY FATMAX SFMCE100 Polisher has been designed for buffing and polishing. This appliance is intended for professional and private, non professional users.

Safety instructions

General power tool safety warnings



Warning! Read all safety warnings, instructions, illustrations and specifications provided with this power tool. Failure to follow all instructions listed below may result in electric shock, fire and/or serious injury.

Save all warnings and instructions for future reference. The term "power tool" in the warnings refers to your mains-operated (corded) power tool or battery-operated (cordless) power tool.

1. Work area safety

- a. **Keep work area clean and well lit.** Cluttered or dark areas invite accidents.
- b. **Do not operate power tools in explosive atmospheres, such as in the presence of flammable liquids, gases or dust.** Power tools create sparks which may ignite the dust or fumes.
- c. **Keep children and bystanders away while operating a power tool.** Distractions can cause you to lose control.

2. Electrical safety

- a. **Power tool plugs must match the outlet. Never modify the plug in any way. Do not use any adapter plugs with earthed (grounded) power tools.** Unmodified plugs and matching outlets will reduce risk of electric shock.
- b. **Avoid body contact with earthed or grounded surfaces such as pipes, radiators, ranges and refrigerators.** There is an increased risk of electric shock if your body is earthed or grounded.
- c. **Do not expose power tools to rain or wet conditions.** Water entering a power tool will increase the risk of electric shock.
- d. **Do not abuse the cord. Never use the cord for carrying, pulling or unplugging the power tool. Keep cord away from heat, oil, sharp edges or moving parts.** Damaged or entangled cords increase the risk of electric shock.
- e. **When operating a power tool outdoors, use an extension cord suitable for outdoor use.** Use of a cord suitable for outdoor use reduces the risk of electric shock.
- f. **If operating a power tool in a damp location is unavoidable, use a residual current device (RCD) protected supply.** Use of an RCD reduces the risk of electric shock.

3. Personal safety

- a. **Stay alert, watch what you are doing and use common sense when operating a power tool. Do not use a power tool while you are tired or under the influence of drugs, alcohol or medication.** A moment of inattention while operating power tools may result in serious personal injury.
- b. **Use personal protective equipment. Always wear eye protection.** Protective equipment such as a dust mask, non-skid safety shoes, hard hat, or hearing protection used for appropriate conditions will reduce personal injuries.
- c. **Prevent unintentional starting. Ensure the switch is in the off-position before connecting to power source and/or battery pack, picking up or carrying the tool.** Carrying power tools with your finger on the switch or energising power tools that have the switch on invites accidents.
- d. **Remove any adjusting key or wrench before turning the power tool on.** A wrench or a key left attached to a rotating part of the power tool may result in personal injury.
- e. **Do not overreach. Keep proper footing and balance at all times.** This enables better control of the power tool in unexpected situations.
- f. **Dress properly. Do not wear loose clothing or jewellery. Keep your hair and clothing away from moving parts.** Loose clothes, jewellery or long hair can be caught in moving parts.
- g. **If devices are provided for the connection of dust extraction and collection facilities, ensure these are connected and properly used.** Use of dust collection can reduce dust-related hazards.
- h. **Do not let familiarity gained from frequent use of tools allow you to become complacent and ignore tool safety principles.** A careless action can cause severe injury within a fraction of a second.

4. Power tool use and care

- a. **Do not force the power tool. Use the correct power tool for your application.** The correct power tool will do the job better and safer at the rate for which it was designed.
- b. **Do not use the power tool if the switch does not turn it on and off.** Any power tool that cannot be controlled with the switch is dangerous and must be repaired.
- c. **Disconnect the plug from the power source and/or remove the battery pack, if detachable, from the power tool before making any adjustments, changing accessories, or storing power tools.** Such preventive safety measures reduce the risk of starting the power tool accidentally.

- d. **Store idle power tools out of the reach of children and do not allow persons unfamiliar with the power tool or these instructions to operate the power tool.** Power tools are dangerous in the hands of untrained users.
- e. **Maintain power tools and accessories. Check for misalignment or binding of moving parts, breakage of parts and any other condition that may affect the power tools operation. If damaged, have the power tool repaired before use.** Many accidents are caused by poorly maintained power tools.
- f. **Keep cutting tools sharp and clean.** Properly maintained cutting tools with sharp cutting edges are less likely to bind and are easier to control.
- g. **Use the power tool, accessories and tool bits etc. in accordance with these instructions, taking into account the working conditions and the work to be performed.** Use of the power tool for operations different from those intended could result in a hazardous situation.
- h. **Keep handles and grasping surfaces dry, clean and free from oil and grease.** Slippery handles and grasping surfaces do not allow for safe handling and control of the tool in unexpected situations.

5. Battery tool use and care

- a. **Recharge only with the charger specified by the manufacturer.** A charger that is suitable for one type of battery pack may create a risk of fire when used with another battery pack.
- b. **Use power tools only with specifically designated battery packs.** Use of any other battery packs may create a risk of injury and fire.
- c. **When battery pack is not in use, keep it away from other metal objects, like paper clips, coins, keys, nails, screws, or other small metal objects, that can make a connection from one terminal to another.** Shorting the battery terminals together may cause burns or a fire.
- d. **Under abusive conditions, liquid may be ejected from the battery; avoid contact. If contact accidentally occurs, flush with water. If liquid contacts eyes, additionally seek medical help.** Liquid ejected from the battery may cause irritation or burns.
- e. **Do not use a battery pack or tool that is damaged or modified.** Damaged or modified batteries may exhibit unpredictable behaviour resulting in fire, explosion or risk of injury.
- f. **Do not expose a battery pack or tool to fire or excessive temperature.** Exposure to fire or temperature above 130 °C may cause explosion.
- g. **Follow all charging instructions and do not charge the battery pack or tool outside the temperature range specified in the instructions.** Charging

improperly or at temperatures outside the specified range may damage the battery and increase the risk of fire.

6. Service

- a. **Have your power tool serviced by a qualified repair person using only identical replacement parts.** This will ensure that the safety of the power tool is maintained.
- b. **Never service damaged battery packs.** Service of battery packs should only be performed by the manufacturer or authorized service providers.

Residual Risks

In spite of the application of the relevant safety regulations and the implementation of safety devices, certain residual risks cannot be avoided. These are:

- ◆ Impairment of hearing.
- ◆ Risk of personal injury due to flying particles.
- ◆ Risk of burns due to accessories becoming hot during operation.
- ◆ Risk of personal injury due to prolonged use.

Safety of others

- ◆ This tool is not intended for use by persons (including children) with reduced physical, sensory or mental capabilities, or lack of experience and knowledge, unless they have been given supervision or instruction concerning use of the tool by a person responsible for their safety.
- ◆ Children should be supervised to ensure that they do not play with the appliance.

Vibration

The declared vibration emission values stated in the technical data and the declaration of conformity have been measured in accordance with a standard test method provided by EN62841 and may be used for comparing one tool with another. The declared vibration emission value may also be used in a preliminary assessment of exposure.



Warning! The vibration emission value during actual use of the power tool can differ from the declared value depending on the ways in which the tool is used. The vibration level may increase above the level stated.

When assessing vibration exposure to determine safety measures required by 2002/44/EC to protect persons regularly using power tools in employment, an estimation of vibration exposure should consider, the actual conditions of use and the way the tool is used, including taking account of all parts of the operating cycle such as the times when the tool is switched off and when it is running idle in addition to the trigger time.

Labels on tool

The following symbols are shown on the tool along with the date code:



Warning! To reduce the risk of injury, the user must read the instruction manual.

Additional safety instructions for batteries and chargers

Batteries

- ◆ Never attempt to open for any reason.
- ◆ Do not expose the battery to water.
- ◆ Do not store in locations where the temperature may exceed 40 °C.
- ◆ Charge only at ambient temperatures between 10 °C and 40 °C.
- ◆ Charge only using the charger provided with the tool.
- ◆ When disposing of batteries, follow the instructions given in the section "Protecting the environment".

Chargers

- ◆ Use your Stanley Fatmax charger only to charge the battery in the tool with which it was supplied. Other batteries could burst, causing personal injury and damage.
- ◆ Never attempt to charge non-rechargeable batteries.
- ◆ Have defective cords replaced immediately.
- ◆ Do not expose the charger to water.
- ◆ Do not open the charger.
- ◆ Do not probe the charger.

Electrical safety



This charger is double insulated; therefore no earth wire is required. Always check that the power supply corresponds to the voltage on the rating plate.

- ◆ If the supply cord is damaged, it must be replaced by the manufacturer or an authorised Stanley Service Centre in order to avoid a hazard.

Features

1. Perimeter handle system
2. On/Off slide switch
3. Foam pad base
4. Speed dial
5. Battery
6. Battery release button

ASSEMBLY AND ADJUSTMENTS



Warning! To reduce the risk of serious personal injury, turn unit off and remove the battery pack before making any adjustments or removing/installing attachments or accessories. An accidental start-up can cause injury.

Attaching Woolen Wax Applicator Bonnet (Fig. A, B, D)



WARNING: If any parts are missing, DO NOT operate this buffer/polisher until the missing

parts are replaced. Failure to do so could result in possible serious personal injury.

1. Attach the wax applicator bonnet (8) to the foam pad base (3) as shown in Fig. A. ALWAYS make sure the elastic strip on the bottom of the bonnet is securely tucked on the underside of the foam pad.
2. For paste wax, use a putty knife or any other flat object, apply paste wax to the bonnet by spreading a teaspoon of wax evenly over the entire surface of the wax applicator bonnet as shown in Fig. B.
IMPORTANT: Do not apply wax directly on vehicle.
3. For liquid wax, apply three swirls of wax over applicator bonnet. This should be enough to cover 1/4 of vehicle surface as shown in Fig. D.
4. For the second, third, and fourth applications, only use about one half as much as on first application. The bonnet will not absorb as much wax on these applications.

Attaching Terry Cloth Polishing Bonnet (Fig. C, D)

1. Place the terry bonnet (9) on foam pad (3).
2. ALWAYS make sure that the elastic strip on the bottom of the bonnet is securely tucked on the underside of the foam pad.
3. Apply wax in a circular motion as shown in Fig. D.

OPERATION



Warning! To reduce the risk of serious personal injury, turn unit off and remove the battery pack before making any adjustments or removing/installing attachments or accessories. An accidental start-up can cause injury.

Installing and Removing the Battery Pack from the tool

To install battery pack (Fig. E)

- ◆ Insert battery pack (5) firmly into tool until an audible click is heard as shown in figure E. Ensure battery pack is fully seated and fully latched into position.

To remove battery pack (Fig. E)

- ◆ Depress the battery release button (6) as shown in figure E and pull battery pack out of tool.

Speed Dial

The speed dial (4) changes the speed of the polisher. Rotate the dial forward to increase the speed or backward to decrease the speed. 1 is the lowest setting and 3 is the highest setting.

Proper Hand Position (Fig. F)



Warning! To reduce the risk of serious personal injury, ALWAYS use proper hand position as shown.



Warning! To reduce the risk of serious personal injury, **ALWAYS** hold securely in anticipation of a sudden reaction.

Proper hand position requires both hands on the perimeter handle (1).

Waxing Vehicle (Fig. G)

1. Before you begin to wax, buff, and polish your vehicle, remove all road tar, excess grease spots and bug stains with a general-purpose cleaner. Dry your vehicle.
2. Place buffer/polisher against vehicle and turn buffer/polisher ON by sliding switch to On position. To avoid splashing wax, **ALWAYS** start and stop the buffer/polisher against the surface to be polished.
3. Begin buffing at a low speed and then turn up the speed using the speed dial (4).
4. Apply wax in a straight line with either a side-to-side or back and forth motion. **ALWAYS** use broad, even strokes when applying wax. Apply wax in a thin, even coat. Too much wax does not add any more protection and only makes the wax removal more difficult.
5. Apply wax to the flat surfaces (hood, trunk and roof) first. Wax one section at a time.
6. After flat surfaces are covered, wax the sides. It is easiest to apply the wax to the entire surface before starting the removal phase; however, follow the specific recommendations of the wax or polish being used.
7. When you have finished applying wax with the applicator, bonnet, **SHUT OFF** the buffer/polisher before removing from the vehicle's surface.

NOTE: DO NOT apply too much wax to the bonnet. Applying too much wax causes the bonnet to become saturated and it will not last as long. **THIS MAKES POLISHING MORE DIFFICULT AND IT TAKES LONGER.**

NOTE: If the bonnet is continually coming off the pad, you may be using too much wax.

NOTE: If buffing seems difficult, you have used too much wax.

IMPORTANT: DO NOT apply excessive pressure against the work surface with this tool. The random orbital motion feature on this tool will perform better when less pressure is applied. Applying excessive pressure will slow the random orbital motion and reduce the effectiveness of the tool.

IMPORTANT: Wax applicator bonnets should only be used once, then disposed of properly.

Buffing and Polishing

Ensure bonnet is clean and free of any loose particles or foreign objects that could be thrown or scratch finish

NOTE: You should use utmost care when power polishing around or over sharp objects and contours of the car body. It is very important to use the correct pressure while polishing various sections of an automobile body. For example, light pressure should be applied when polishing over

sharp edges of body panels, or over edges of the rain gutter along the top.

1. Wait until wax has dried to an even haze on vehicle.
2. Turn buffer/polisher ON.

IMPORTANT: DO NOT apply excessive pressure against the work surface with this tool. The random orbital motion feature on this tool will perform better when less pressure is applied. Applying excessive pressure will slow the random orbital motion and reduce the effectiveness of the tool.

NOTE: For best results, use long, sweeping strokes in a criss-cross pattern when removing wax.

3. Buff and polish the entire surface until all dried wax is removed. Remove the bonnet from time to time and shake out the dried wax residue. A bonnet with excess residue will cause streaking. You may need to replace the bonnet with a new one if you can't get it clean enough to avoid streaking.

NOTE: The high-speed rubbing action of the polishing bonnet upon the surface of an automobile can build a static charge on the metal portions of this tool. This can result in a sensation of a very short mild electric shock when the metal area of the tool is touched, and will be more noticeable on days when the humidity is low. This is a harmless phenomenon but you are invited to bring the tool to a service center where it can be checked to assure that no electrical malfunction is present.

Vehicle Care Tips

- Wash and polish the vehicle 3 to 4 times a year to help ensure paint protection.
- Wash the vehicle at least every 2 weeks with a vehicle wash solution which will not harm the finish or strip the wax. **AVOID** washing with household detergents.
- Wash with a clean sponge and dry with a terry cloth towel to help prevent dirt from scratching the paint. Start on the top and work down.
- Remove bugs, bird droppings, tree sap and tar from the vehicle's surface on a daily basis.
- **ALWAYS** make sure that the vehicle's surface is cool before washing.
- Avoid parking near sprinklers, because water spots are difficult to remove.
- **ALWAYS** keep glass cleaner chemicals away from painted surfaces. Spray the cleaner onto a towel, **NOT** directly on the windows.

Maintenance

Your tool has been designed to operate over a long period of time with a minimum of maintenance. Continuous satisfactory operation depends upon proper tool care and regular cleaning. Your charger does not require any maintenance apart from regular cleaning.



Warning! Before performing any maintenance on the tool, remove the battery from the tool. Unplug the charger before cleaning it.

- Regularly clean the ventilation slots in your tool and charger using a soft brush or dry cloth.
- Regularly clean the motor housing using a damp cloth. Do not use any abrasive or solvent-based cleaner.

Protecting the environment



Separate collection. Products and batteries marked with this symbol must not be disposed of with normal household waste.

Products and batteries contain materials that can be recovered or recycled, reducing demand for raw materials. Please recycle electrical products and batteries according to local provisions. Further information is available at www.2helpU.com

Technical data

SFMCE100		
Voltage	V_{DC}	18V
RPM	min^{-1}	2200-2800
Weight	kg	2.17

Charger		SFMCB11	SFMCB12	SFMCB14
Input Voltage	V_{AC}	230	230	230
Output Voltage	V_{DC}	18	18	18
Current	A	1.25	2	4

Battery		SFMCB201	SFMCB202	SFMCB204	SFMCB206
Voltage	V_{DC}	18	18	18	18
Capacity	Ah	1.5	2.0	4.0	6.0
Type		Li-Ion	Li-Ion	Li-Ion	Li-Ion

Level of sound pressure according to EN 62841:	
Sound pressure (L_{pA})	53 dB(A), uncertainty (K) 3 dB(A)
Sound power (L_{wA})	64 dB(A), uncertainty (K) 3 dB(A)

Vibration total values (triax vector sum) according to EN 62841:	
Vibration emission value (a_{rw})	7.5 m/s^2 , uncertainty (K) 1.5 m/s^2

EC Declaration of Conformity Machinery Directive



SFMCE100 Polisher

Stanley declares that these products described under "technical data" are in compliance with:
2006/42/EC, EN62841-1:2015, EN62841-2-4:2014.
These products also comply with directives, 2014/30/EU and 2011/65/EU
For more information, please contact Stanley at the following address or refer to the back of the manual.
The undersigned is responsible for compilation of the technical file and makes this declaration on behalf of Stanley.

Patrick Diepenbach

Patrick Diepenbach
General Manager, Benelux
Stanley,
Egide Walschaertsstraat 14-18
2800 Mechelen, Belgium
15.05.2022

Declaration of Conformity The Supply of Machinery (Safety) Regulations 2008



SFMCE100 Polisher

Stanley declares that these products described under "technical data" are in compliance with:
The Supply of Machinery (Safety) Regulations, 2008, S.I. 2008/1597 (as amended),
EN62841-1:2015, EN62841-2-4:2014.
These products also conform to the following UK Regulations:
Electromagnetic Compatibility Regulations, 2016,
S.I.2016/1091 (as amended).
The Restriction of the Use of Certain Hazardous Substances in Electrical and Electronic Equipment Regulations 2012, S.I.

2012/3032 (as amended).

For more information, please contact Stanley at the following address or refer to the back of the manual.

The undersigned is responsible for compilation of the technical file and makes this declaration on behalf of Stanley.



Karl Evans

Vice President Professional Power Tools EANZ GTS UK,
270 Bath Road, Slough
BerkshireSL1 4DX
England
15.05.2022

Guarantee

Stanley is confident of the quality of its products and offers consumers a 24 month guarantee from the date of purchase. This guarantee is in addition to and in no way prejudices your statutory rights. The guarantee is valid within the territories of the Member States of the European Union, European Free Trade Area and United Kingdom.

To claim on the guarantee, the claim must be in accordance with Stanley Terms and Conditions and you will need to submit proof of purchase to the seller or an authorised repair agent. Terms and conditions of the Stanley 2 year guarantee and the location of your nearest authorised repair agent can be obtained on the Internet at www.2helpU.com, or by contacting your local Stanley office at the address indicated in this manual.

Please visit our website www.blackanddecker.co.uk to register your new Stanley product and receive updates on new products and special offers.

Verwendungszweck

Ihre STANLEY FATMAX Poliermaschine SFMCE100 wurde zum Schwabbeln und Polieren entwickelt. Dieses Gerät ist zum gewerblichen und privaten Einsatz vorgesehen.

Sicherheitshinweise

Allgemeine Sicherheitswarnhinweise für Elektrowerkzeuge



Warnung! Beachten Sie alle Sicherheitshinweise, Anweisungen, Darstellungen und Daten, die Sie mit dem Gerät erhalten. Wenn Sie die folgenden Anweisungen nicht beachten, kann es zu elektrischem Schlag, Feuer und/oder schweren Verletzungen kommen.

Bewahren Sie alle Warnhinweise und alle Anweisungen auf. Der Begriff „Elektrowerkzeug“ in den Warnhinweisen bezieht sich auf Ihr netzbetriebenes Elektrowerkzeug (mit Kabel) oder auf Ihr akkubetriebenes (kabelloses) Elektrowerkzeug.

1. Sicherheit im Arbeitsbereich

- a. Halten Sie den Arbeitsbereich sauber und gut ausgeleuchtet. Unaufgeräumte oder dunkle Bereiche begünstigen Unfälle.
- b. Verwenden Sie die Geräte nicht in Umgebungen, in denen Explosionsgefahr z. B. aufgrund von brennbaren Flüssigkeiten, Gasen oder Staub besteht. Elektrowerkzeuge erzeugen Funken, die den Staub oder die Dämpfe entzünden können.
- c. Halten Sie Kinder und andere Personen während der Benutzung eines Geräts fern. Ablenkung kann dazu führen, dass Sie die Kontrolle über das Gerät verlieren.

2. Elektrische Sicherheit

- a. Der Netzstecker des Geräts muss in die Steckdose passen. Ändern Sie niemals den Stecker in irgendeiner Form. Verwenden Sie keinerlei Adapterstecker an geerdeten Elektrogeräten. Unveränderte Stecker und passende Steckdosen mindern die Gefahr eines elektrischen Schlages.
- b. Vermeiden Sie Körperkontakt mit geerdeten Oberflächen von Rohren, Heizungen, Herden und Kühlschränken. Es besteht eine erhöhte Gefahr für einen elektrischen Schlag, wenn Ihr Körper geerdet ist.
- c. Halten Sie Geräte von Regen und Feuchtigkeit fern. Wenn Wasser in das Elektrogerät eindringt, erhöht sich die Gefahr eines elektrischen Schlages.
- d. Verwenden Sie das Kabel ordnungsgemäß. Verwenden Sie niemals das Kabel, um das Elektrogerät zu tragen oder durch Ziehen vom Netz zu trennen. Halten Sie das Kabel fern von Hitze,

Öl, scharfen Kanten oder beweglichen Teilen. Beschädigte oder verhedderte Kabel erhöhen die Gefahr eines elektrischen Schlages.

- e. Verwenden Sie nur für den Außenbereich zugelassene Verlängerungskabel, wenn Sie mit dem Gerät im Freien arbeiten. Die Verwendung von für den Außeneinsatz geeigneten Kabeln mindert die Gefahr eines elektrischen Schlages.
- f. Wenn das Gerät in einer feuchten Umgebung verwendet werden muss, schließen Sie es unbedingt an eine Steckdose mit Fehlerstromschutzschalter (RCD). Der Einsatz eines Fehlerstromschutzschalters mindert die Gefahr eines elektrischen Schlages.

3. Persönliche Sicherheit

- a. Bleiben Sie wachsam, beobachten Sie, was Sie tun, und nutzen Sie den gesunden Menschenverstand, wenn Sie ein Elektrowerkzeug bedienen. Verwenden Sie Elektrowerkzeuge nicht, wenn Sie müde sind oder unter dem Einfluss von Drogen, Alkohol oder Medikamenten stehen. Ein Moment der Unachtsamkeit beim Betrieb eines Elektrogerätes kann zu schweren Verletzungen führen.
- b. Tragen Sie persönliche Schutzausrüstung. Tragen Sie immer einen Augenschutz. Das Tragen persönlicher Schutzausrüstung, wie Staubmaske, rutschfeste Sicherheitsschuhe, Schutzhelm oder Gehörschutz, je nach Art und Einsatz des Elektrowerkzeuges, verringert das Risiko von Verletzungen.
- c. Vermeiden Sie eine unbeabsichtigte Inbetriebnahme. Vergewissern Sie sich, dass der Schalter in der AUS-Position ist, bevor Sie das Gerät an die Stromversorgung und/oder an den Akku anschließen oder wenn Sie das Gerät aufnehmen oder tragen. Wenn Sie beim Tragen des Elektrowerkzeuges den Finger am Schalter haben oder das Gerät eingeschaltet an die Stromversorgung anschließen, kann dies zu Unfällen führen.
- d. Entfernen Sie alle Einstellschlüssel oder Werkzeuge, bevor Sie das Elektrogerät einschalten. Werkzeuge oder Schlüssel, die an rotierenden Teilen des Elektrogerätes angebracht sind, können zu Verletzungen führen.
- e. Vermeiden Sie eine anormale Körperhaltung. Sorgen Sie für einen sicheren Stand und halten Sie jederzeit das Gleichgewicht. Dadurch können Sie das Elektrowerkzeug in unerwarteten Situationen besser kontrollieren.
- f. Tragen Sie geeignete Kleidung. Tragen Sie keine weite Kleidung und keinen Schmuck. Halten Sie Ihre Haare und Kleidung von beweglichen Teilen fern. Lose sitzende Kleidung, Schmuck oder lange Haare können sich in den beweglichen Teilen verfangen.

- g. Falls Staubabsaug- und -fangvorrichtungen vorhanden sind, vergewissern Sie sich, dass diese angeschlossen sind und richtig verwendet werden. Der Einsatz von Staubsaugern kann staubbedingte Gefahren mindern.
- h. Vermeiden Sie, durch die häufige Nutzung des Werkzeugs in einen Trott zu verfallen und Prinzipien für die Werkzeugsicherheit zu ignorieren. Eine unachtsame Aktion kann im Bruchteil einer Sekunde zu schweren Verletzungen führen.

4. Gebrauch und Pflege von Elektrowerkzeugen

- a. Überlasten Sie das Gerät nicht. Verwenden Sie stets das richtige Gerät für die jeweilige Anwendung. Das richtige Gerät wird die Aufgabe besser und sicherer erledigen, wenn es bestimmungsgemäß verwendet wird.
- b. Verwenden Sie das Gerät nicht, wenn der Ein-/Ausschalter nicht funktioniert. Ein Elektrowerkzeug, das sich nicht mehr ein- oder ausschalten lässt, ist gefährlich und muss repariert werden.
- c. Trennen Sie den Stecker vom Netz und/oder entfernen Sie die Akkus, falls abnehmbar, vom Elektrogerät, bevor Sie Einstellungen am Gerät vornehmen, Zubehör wechseln oder es aufbewahren. Diese Vorbeugemaßnahmen mindern die Gefahr, dass das Elektrogerät unbeabsichtigt startet.
- d. Bewahren Sie unbenutzte Geräte außerhalb der Reichweite von Kindern auf. Lassen Sie Geräte nicht von Personen benutzen, die damit nicht vertraut sind oder diese Anweisungen nicht gelesen haben. Elektrogeräte sind in den Händen nicht geschulter Personen gefährlich.
- e. Pflegen Sie Elektrowerkzeuge und Zubehör. Prüfen Sie, ob bewegliche Teile verzogen oder ausgeschlagen, ob Teile gebrochen oder in einem Zustand sind, der den Betrieb des Elektrogerätes beeinträchtigen kann. Bei Beschädigungen lassen Sie das Elektrogerät reparieren, bevor Sie es verwenden. Viele Unfälle entstehen wegen mangelnder Wartung der Elektrogeräte.
- f. Halten Sie Schneidwerkzeuge scharf und sauber. Richtig gewartete Schneidwerkzeuge mit scharfen Klingen blockieren seltener und sind leichter unter Kontrolle zu halten.
- g. Verwenden Sie Elektrogeräte, Zubehör und Einsätze (Bits) usw. gemäß diesen Anweisungen und unter Berücksichtigung der Arbeitsbedingungen und der Aufgabe. Wenn Sie das Elektrogerät für Aufgaben verwenden, die nicht bestimmungsgemäß sind, kann dies zu gefährlichen Situationen führen.

- h. Halten Sie die Griffe trocken, sauber und frei von Öl und Fett. Rutschige Griffe und Oberflächen verhindern die sichere Bedienbarkeit und Kontrolle über das Werkzeug in unerwarteten Situationen.

5. Gebrauch und Pflege von Akkuwerkzeugen

- a. Laden Sie die Akkus nur in Ladegeräten auf, die vom Hersteller angegeben wurden. Für ein Ladegerät, das nur für eine bestimmte Akkuart geeignet ist, besteht Brandgefahr, wenn es mit anderen Akkus verwendet wird.
- b. Verwenden Sie nur die für das jeweilige Gerät vorgesehenen Akkus. Die Verwendung anderer Akkus kann zu Verletzungen oder Bränden führen.
- c. Bewahren Sie den Akku bei Nichtbenutzung nicht in der Nähe metallischer Objekte wie Büroklammern, Münzen, Schlüsseln, Nägeln oder Schrauben auf, da diese eine Verbindung zwischen beiden Polen des Akkus herstellen können. Durch den dadurch entstehenden Kurzschluss kann der Akku in Brand geraten.
- d. Bei falscher Anwendung kann Flüssigkeit aus dem Akku austreten. Vermeiden Sie den Kontakt damit. Bei unbeabsichtigtem Kontakt mit Wasser abspülen. Gelangt die Flüssigkeit in die Augen, ziehen Sie außerdem ärztliche Hilfe hinzu. Austretende Akkufflüssigkeit kann zu Hautreizungen oder Verbrennungen führen.
- e. Verwenden Sie kein Akkupack oder Werkzeug, das beschädigt ist oder modifiziert wurde. Beschädigte oder modifizierte Akkus können unvorhersehbare Reaktionen auslösen und zu Bränden, Explosionen oder Verletzungen führen.
- f. Setzen Sie das Akkupack oder Werkzeug keinem Feuer oder übermäßig hohen Temperaturen aus. Die Belastung durch Feuer oder Temperaturen über 130 °C kann zur Explosion führen.
- g. Befolgen Sie alle Ladeanweisungen und laden Sie das Akkupack oder Werkzeug nicht außerhalb des in den Anweisungen festgelegten Temperaturbereichs auf. Ein unsachgemäßer Ladevorgang oder Temperaturen außerhalb des festgelegten Bereichs können den Akku schädigen und die Brandgefahr erhöhen.

6. Service

- a. Lassen Sie das Gerät nur von qualifiziertem Fachpersonal und nur mit Originalersatzteilen reparieren. Damit wird sichergestellt, dass die Sicherheit des Gerätes erhalten bleibt.
- b. Führen Sie niemals Wartungsarbeiten an beschädigten Akkus durch. Die Wartung von Akkupacks darf nur vom Hersteller selbst oder autorisierten Dienstleistern durchgeführt werden.

Restrisiken

Trotz Beachtung der geltenden Sicherheitsvorschriften und des Einsatzes von Schutzvorrichtungen können bestimmte Risiken nicht vermieden werden. Diese sind:

- ♦ Beeinträchtigung des Gehörs.
- ♦ Verletzungsgefahr durch umherfliegende Teile.
- ♦ Verbrennungsgefahr durch während des Betriebes heiß werdende Zubehöreile.
- ♦ Verletzungsgefahr durch andauernden Gebrauch.

Sicherheit von Anderen

- ♦ Dieses Gerät darf nicht von Personen (einschließlich Kindern) mit eingeschränkten körperlichen, sensorischen oder geistigen Fähigkeiten oder mangelnder Erfahrung und Wissen in Bezug auf dessen Gebrauch bedient werden, es sei denn, sie werden bei der Verwendung des Geräts von einer erfahrenen Person beaufsichtigt oder angeleitet.
- ♦ Lassen Sie nicht zu, dass Kinder mit dem Gerät spielen.

Schwingung

Die in den Abschnitten „Technische Daten“ und „EU-Konformitätserklärung“ angegebenen Werte für die Vibrationsemission wurden mit einer Standard-Prüfmethode nach EN62841 ermittelt und können zum Vergleich verschiedener Geräte herangezogen werden. Die erklärten Schwingungsemissionswerte können auch in einer vorläufigen Expositionsbewertung verwendet werden.



Warnung! Der Schwingungsemissionswert während der tatsächlichen Verwendung des Elektrowerkzeugs kann in Abhängigkeit von den Arten, auf die das Werkzeug verwendet wird, vom erklärten Wert abweichen. Das Schwingungsniveau kann das angegebene Niveau übersteigen.

Bei der Bewertung der Schwingungsexposition zur Festlegung der durch die Richtlinie 2002/44/EG erforderlichen Sicherheitsmaßnahmen zum Schutz von Personen, die bei ihrer Beschäftigung regelmäßig Elektrowerkzeuge verwenden, muss eine Schätzung der Schwingungsexposition die tatsächlichen Nutzungsbedingungen und die Art berücksichtigen, auf die das Werkzeug verwendet wird, einschließlich der Beachtung aller Teile des Betriebszyklus, wie die Male, die das Werkzeug ausgeschaltet wird und wenn es im Ruhemodus läuft zusätzlich zur Auslösezeit.

Etiketten am Werkzeug

Am Gerät sind die folgenden Warnsymbole inkl. Datumscode angebracht:



Warnung! Zur Reduzierung der Verletzungsgefahr muss der Nutzer die Betriebsanleitung lesen.

Zusätzliche Sicherheitshinweise für Akkus und Ladegeräte

Akkus

- ♦ Keinesfalls versuchen, den Akku zu öffnen.
- ♦ Achten Sie darauf, dass der Akku nicht mit Wasser in Berührung kommt.
- ♦ Nicht bei Temperaturen über 40 °C lagern.
- ♦ Laden Sie den Akku nur bei Umgebungstemperaturen von 10 °C bis 40 °C.
- ♦ Verwenden Sie ausschließlich das mitgelieferte Ladegerät.
- ♦ Beachten Sie bei der Entsorgung von Batterien und Akkus die Hinweise im Abschnitt "Umweltschutz".

Ladegeräte

- ♦ Verwenden Sie das Stanley Fatmax-Ladegerät nur für den Akku des Werkzeugs, mit dem es geliefert wurde. Andere Akkus könnten platzen und Sachschäden oder Verletzungen verursachen.
- ♦ Versuchen Sie keinesfalls, nicht aufladbare Batterien zu laden.
- ♦ Lassen Sie beschädigte Kabel sofort austauschen.
- ♦ Achten Sie darauf, dass das Ladegerät nicht mit Wasser in Berührung kommt.
- ♦ Versuchen Sie nicht, das Ladegerät zu öffnen.
- ♦ Nehmen Sie am Ladegerät keine Veränderungen vor.

Elektrische Sicherheit



Das Ladegerät ist schutzisoliert, daher ist keine Erdleitung erforderlich. Überprüfen Sie immer, dass die Stromversorgung der Spannung auf dem Typenschild entspricht.

- ♦ Ist das Netzkabel beschädigt, muss es durch den Hersteller oder eine Stanley Vertragswerkstatt ausgetauscht werden, um eine mögliche Gefährdung zu vermeiden.

Merkmale

1. Perimeter-Griffsystem
2. Ein-/Aus-Schiebeschalter
3. Schaumstoffbasis
4. Geschwindigkeitsregler
5. Akku
6. Akku-Löseknopf

ZUSAMMENBAU UND EINSTELLUNGEN



Warnung! Um die Gefahr schwerer Verletzungen zu mindern, schalten Sie das Gerät aus und entfernen Sie den Akku, bevor Sie Einstellungen vornehmen oder Anbaugeräte oder Zubehör anbringen oder entfernen. Ungewolltes Anlaufen kann Verletzungen verursachen.

Anbringen der Wollhaube des Wachsapplikators (Abb. A, B, D)



WARNUNG: Wenn Teile fehlen, darf die Schwabbel-/Poliermaschine NICHT in Betrieb genommen werden, bevor die fehlenden Teile

angebracht wurden. Eine Nichtbeachtung könnte zu ernsthaften Verletzungen führen.

1. Bringen Sie die Wollhaube des Wachsapplikators (8) an der Schaumstoffbasis (3), siehe Abb. A. Vergewissern Sie sich **IMMER**, dass das Gummiband an der Unterseite der Haube fest an der Unterseite der Schaumstoffbasis angebracht ist.
2. Bei Pastenwachs verwenden Sie einen Spachtel oder einen anderen flachen Gegenstand und tragen das Pastenwachs auf die Haube auf, indem Sie einen Teelöffel Wachs gleichmäßig über die gesamte Oberfläche der Wachsapplikatorhaube verteilen, siehe Abb. B.
WICHTIG: Wachs nicht direkt auf das Fahrzeug auftragen.
3. Bei Flüssigwachs tragen Sie drei Spritzer Wachs auf die Applikatorhaube auf. Dies sollte ausreichen, um etwa 1/4 der Fahrzeugoberfläche abzudecken, siehe Abb. D.
4. Für die zweite, dritte und vierte Anwendung verwenden Sie nur etwa halb so viel wie bei der ersten Anwendung. Die Haube nimmt bei diesen Anwendungen auch nicht mehr so viel Wachs auf.

Anbringen der Frottee-Polierhaube (Abb. C, D)

1. Bringen Sie die Frottee-Polierhaube (9) auf der Schaumstoffbasis (3) an.
2. Vergewissern Sie sich **IMMER**, dass das Gummiband an der Unterseite der Haube fest an der Unterseite der Schaumstoffbasis angebracht ist.
3. Tragen Sie das Wachs mit kreisförmigen Bewegungen auf, siehe Abb. D.

BETRIEB



Warnung! Um die Gefahr schwerer Verletzungen zu mindern, schalten Sie das Gerät aus und entfernen Sie den Akku, bevor Sie Einstellungen vornehmen oder Anbaugeräte oder Zubehör anbringen oder entfernen. Ungewolltes Anlaufen kann Verletzungen verursachen.

Anbringen und Entfernen des Akkus

Anbringen des Akkus (Abb. E)

- Setzen Sie den Akku (5) fest in das Werkzeug ein, bis ein Klicken zu hören ist, siehe Abbildung E. Stellen Sie sicher, dass der Akku vollständig eingesetzt und eingerastet ist.

Entfernen des Akkus (Abb. E)

- Drücken Sie den Akku-Löseknopf (6) wie in Abbildung E gezeigt und ziehen Sie den Akku aus dem Werkzeug.

Geschwindigkeitsregler

Der Geschwindigkeitsregler (4) ändert die Geschwindigkeit des Poliergeräts. Drehen Sie den Regler vorwärts, um die Geschwindigkeit zu erhöhen, oder rückwärts, um die Geschwindigkeit zu verringern. 1 ist die niedrigste Einstellung und 3 ist die höchste Einstellung.

Richtige Haltung der Hände (Abb. F)



Warnung! Zur Reduzierung des Risikos schwerer Verletzungen muss **IMMER** die richtige Handstellung eingehalten werden, wie in der Abbildung gezeigt.



Warnung! Zur Reduzierung des Risikos schwerer Verletzungen muss das Gerät **IMMER** fest in den Händen gehalten werden, damit jederzeit richtig reagiert werden kann.

Bei der korrekten Handposition liegen beide Hände auf dem Perimetergriff (1).

Wachsen des Fahrzeugs (Abb. G)

1. Bevor Sie mit dem Wachsen, Schwabbeln und Polieren Ihres Fahrzeugs beginnen, entfernen Sie mit einem Allzweckreiniger alle Verschmutzungen durch Teer, Fett, Insekten und ähnliches. Trocknen Sie das Fahrzeug ab.
2. Halten Sie die Schwabbel-/Poliermaschine an das Fahrzeug und schalten Sie sie ein, indem Sie den Schalter in die Position „Ein“ schieben. Zum Vermeiden von Wachspritzen starten und stoppen Sie die Schwabbel-/Poliermaschine **IMMER** gegen die zu polierende Oberfläche.
3. Beginnen Sie das Polieren mit einer niedrigen Geschwindigkeit und erhöhen Sie die Geschwindigkeit dann mit dem Geschwindigkeitsregler (4).
4. Tragen Sie das Wachs in einer geraden Linie auf und bewegen Sie es entweder von Seite zu Seite oder vor und zurück. Verwenden Sie beim Auftragen von Wachs **IMMER** breite, gleichmäßige Streichbewegungen. Tragen Sie das Wachs in einer dünnen, gleichmäßigen Schicht auf. Zu viel Wachs bietet keinen zusätzlichen Schutz und erschwert nur das Entfernen des Wachses.
5. Tragen Sie das Wachs zuerst auf die flachen Oberflächen (Motorhaube, Kofferraum und Dach) auf. Wachsen Sie einen Abschnitt nach dem anderen.
6. Nachdem die ebenen Flächen eingewachst sind, werden die Seiten gewachst. Am einfachsten ist es, das Wachs auf die gesamte Oberfläche aufzutragen, bevor Sie mit der Entfernungphase beginnen; beachten Sie jedoch die spezifischen Empfehlungen des verwendeten Wachses oder der Politur.
7. Wenn Sie das Wachs mit dem Applikator aufgetragen haben, schalten Sie die Schwabbel-/Poliermaschine aus, bevor Sie sie von der Oberfläche des Fahrzeugs wegnehmen.

HINWEIS: Tragen Sie **NICHT** zu viel Wachs auf die Haube auf. Durch zu viel Wachs wird die Haube gesättigt und hält nicht so lange. **DADURCH WIRD DAS POLIEREN SCHWIERIGER UND DAUER LÄNGER.**

HINWEIS: Wenn sich die Haube ständig von dem Schaumstoff löst, verwenden Sie möglicherweise zu viel Wachs.

HINWEIS: Wenn das Polieren schwierig ist, verwenden Sie zu viel Wachs.

WICHTIG: Üben Sie mit diesem Werkzeug KEINEN übermäßigen Druck auf die Arbeitsfläche aus. Die zufällige Orbitalbewegung dieses Werkzeugs funktioniert bei weniger Druck besser. Übermäßiger Druck verlangsamt die zufällige Orbitalbewegung und verringert die Wirksamkeit des Werkzeugs.

WICHTIG: Wachsapplikatorhauben sollten nur einmal verwendet und dann ordnungsgemäß entsorgt werden.

Schwabbeln und Polieren

Vergewissern Sie sich, dass die Haube sauber und frei von losen Teilen oder Fremdkörpern ist, die herausgeschleudert werden oder die Oberfläche zerkratzen könnten.

HINWEIS: Seien Sie besonders vorsichtig, wenn Sie scharfe Gegenstände oder Kanten der Karosserie polieren. Es ist beim Polieren von verschiedenen Karosserieteilen sehr wichtig, den korrekten Druck anzuwenden. Zum Beispiel sollte beim Polieren scharfer Kanten von Karosserieblechen oder entlang der Oberkante der Regenrinne nur leichter Druck angewendet werden.

1. Warten Sie, bis das Wachs auf dem Fahrzeug zu einem gleichmäßigen Schleier getrocknet ist.
2. Schalten Sie die Schwabbel-/Poliermaschine ein.

WICHTIG: Üben Sie mit diesem Werkzeug KEINEN übermäßigen Druck auf die Arbeitsfläche aus. Die zufällige Orbitalbewegung dieses Werkzeugs funktioniert bei weniger Druck besser. Übermäßiger Druck verlangsamt die zufällige Orbitalbewegung und verringert die Wirksamkeit des Werkzeugs.

HINWEIS: Die besten Ergebnisse erzielen Sie, wenn das Wachs mit langen, schwingvollen Hin-und-Her-Bewegungen entfernt wird.

3. Polieren Sie die gesamte Oberfläche, bis das gesamte getrocknete Wachs entfernt ist. Nehmen Sie die Haube von Zeit zu Zeit ab und schütteln Sie die getrockneten Wachsreste heraus. Eine Haube mit vielen Resten führt zu Schlierenbildung. Möglicherweise müssen Sie die Haube durch eine neue ersetzen, wenn sie nicht sauber genug wird, um Schlieren zu vermeiden.

HINWEIS: Die schnellen, reibenden Bewegungen der Polierhaube auf der Fahrzeugoberfläche können zu einer statischen Aufladung der Metallteile des Elektrowerkzeugs führen. Die Berührung dieser Metallteile kann zu einem sehr kurzen, leichten Stromschlag führen, was sich an Tagen mit niedriger Luftfeuchtigkeit stärker bemerkbar macht. Dies ist ein harmloses Phänomen, aber Sie sollten das Gerät zu einer -Vertragswerkstatt bringen, wo es überprüft werden kann, um sicherzustellen, dass keine Störung der Elektrik vorliegt.

Tipps zur Fahrzeugpflege

- Waschen und polieren Sie das Fahrzeug 3 bis 4 Mal pro Jahr, um den Lack zu schützen.

- Waschen Sie das Fahrzeug mindestens alle 2 Wochen mit einem Fahrzeugreinigungsmittel, das den Lack nicht angreift und das Wachs nicht entfernt. Verwenden Sie keine Haushaltsreiniger.
- Waschen Sie das Fahrzeug mit einem sauberen Schwamm ab und trocknen Sie es mit einem Frotteehandtuch ab, um zu verhindern, dass Schmutz den Lack zerkratzt. Beginnen Sie oben und arbeiten Sie nach unten.
- Entfernen Sie täglich Ungeziefer, Vogelkot, Baumharz und Teer von den Oberflächen des Fahrzeugs.
- Achten Sie vor dem Waschen IMMER darauf, dass die Oberflächen des Fahrzeugs kalt sind.
- Vermeiden Sie das Parken in der Nähe von Rasensprengern und ähnlichem, da sich Wasserflecken nur schwer entfernen lassen.
- Halten Sie Glasreiniger-Chemikalien IMMER von lackierten Oberflächen fern. Sprühen Sie solche Reiniger auf ein Tuch, NICHT direkt auf die Fenster.

Wartung

Ihr -Gerät wurde im Hinblick auf eine lange Lebensdauer und einen möglichst geringen Wartungsaufwand entwickelt. Ein kontinuierlicher, zufriedenstellender Betrieb hängt von der richtigen Pflege des Gerätes und seiner regelmäßigen Reinigung ab.

Ihr Ladegerät braucht neben der normalen Reinigung keine Wartung.



Warnung! Entfernen Sie vor jeglichen

Wartungsarbeiten am Gerät den Akku aus dem Gerät. Ziehen Sie vor der Reinigung den Netzstecker des Ladegeräts aus der Steckdose.

- ♦ Reinigen Sie regelmäßig die Lüftungsschlitze des Geräts und des Ladegeräts mit einer weichen Bürste oder einem trockenen Tuch.
- ♦ Reinigen Sie das Motorgehäuse regelmäßig mit einem feuchten Tuch. Verwenden Sie keine scheuerndes oder lösungsmittelbasiertes Reinigungsmittel.

Umweltschutz



Abfalltrennung. Produkte und Akkus mit diesem Symbol dürfen nicht mit dem normalen Hausmüll entsorgt werden.

Produkte und Akkus enthalten Materialien, die wiederverwertet werden können, um den Bedarf an Rohstoffen zu verringern. Bitte recyceln Sie Elektroprodukte und Batterien gemäß den lokalen Bestimmungen. Weitere Informationen finden Sie auf www.2helpU.com

Technische Daten

SFMCE100		
Spannung	V_{DC}	18 V
U/min	min^{-1}	2200-2800
Gewicht	kg	2,17

Ladegerät		SFMCB11	SFMCB12	SFMCB14
Eingangsspannung	V_{AC}	230	230	230
Ausgangsspannung	V_{DC}	18	18	18
Stromstärke	A	1,25	2	4

Akku		SFMCB201	SFMCB202	SFMCB204	SFMCB206
Spannung	V_{DC}	18	18	18	18
Kapazität	Ah	1,5	2,0	4,0	6,0
Typ		Li-Ion	Li-Ion	Li-Ion	Li-Ion

Schalldruckpegel gemäß EN 62841:
Schalldruck (L_{pA}) 53 dB(A), Unsicherheitsfaktor (K) 3 dB(A)
Schalleistung (L_{WA}) 64 dB(A), Unsicherheitsfaktor (K) 3 dB(A)

Gesamtvibration (Triax-Vektorsumme) gemäß EN 62841:
Vibrationsemissionswert ($a_{h,w}$) 7,5 m/s^2 , Unsicherheitsfaktor (K) 1,5 m/s^2

EC-Konformitätserklärung Maschinenrichtlinie



SFMCE100 Poliermaschine

Stanley erklärt, dass diese unter „Technische Daten“ beschriebenen Geräte übereinstimmen mit:

2006/42/EC, EN62841-1:2015, EN62841-2-4:2014.

Diese Produkte entsprechen außerdem den Richtlinien 2014/30/EU und 2011/65/EU.

Für weitere Informationen wenden Sie sich bitte an Stanley unter der folgenden Adresse oder schauen Sie auf der Rückseite dieser Betriebsanleitung nach.

Der Unterzeichnete ist verantwortlich für die Zusammenstellung des technischen Dossiers und gibt diese Erklärung im Namen von Stanley ab.

Patrick Diepenbach

Patrick Diepenbach
General Manager, Benelux
Stanley,
Egide Walschaertsstraat 14-18
2800 Mechelen, Belgien
15.05.2022

Garantie

Stanley vertraut auf die Qualität der eigenen Geräte und bietet dem Käufer eine außergewöhnliche Garantie von 24 Monaten ab Kaufdatum. Diese Garantie ist ergänzend und beeinträchtigt keinesfalls ihre gesetzlichen Ansprüche. Diese Garantie gilt innerhalb der Staatsgebiete der Mitgliedstaaten der Europäischen Union, der Europäischen Freihandelszone und des Vereinigten Königreichs.

Zur Inanspruchnahme dieser Garantie muss sie den allgemeinen Geschäftsbedingungen von Stanley entsprechen und dem Verkäufer bzw. der Vertragswerkstatt ist ein Kaufnachweis vorzulegen. Die Bedingungen für die Stanley Garantie von 2 Jahren und den Standort Ihrer nächstgelegenen Vertragswerkstatt finden Sie im Internet unter www.2helpU.com oder indem Sie sich an die lokale Stanley-Niederlassung wenden, deren Adresse Sie in dieser Anleitung finden.

Ihr neues Stanley-Produkt können Sie auf unserer Website unter www.blackanddecker.de registrieren. Dort erhalten Sie auch Informationen über neue Produkte und Sonderangebote.

Utilisation prévue

Votre polisseuse STANLEY FATMAX SFMCE100 est destinée aux opérations de lustrage et de polissage. Cet appareil est prévu pour les utilisateurs professionnels et non professionnels.

Consignes de sécurité

Avertissements de sécurité générale propres aux outils électriques



Avertissement ! Veuillez à lire tous les avertissements sur la sécurité, toutes les instructions, toutes les illustrations et toutes les spécifications fournies avec cet outil électrique.

Le non-respect de toutes les instructions listées ci-dessous peut entraîner des décharges électriques, des incendies et/ou de graves blessures.

Conservez tous les avertissements et toutes les instructions afin de pouvoir vous y référer dans le futur. Le terme "outil électrique" mentionné dans les avertissements fait référence à vos outils électriques branchés sur secteur (avec câble) ou fonctionnant sur pile ou batterie (sans fil).

1. Sécurité de la zone de travail

- Gardez la zone de travail propre et bien éclairée.** Les zones sombres ou encombrées sont propices aux accidents.
- N'utilisez pas d'outils électriques dans un environnement présentant des risques d'explosion ou en présence de liquides, gaz ou poussières inflammables.** Les outils électriques créent des étincelles qui peuvent enflammer les poussières et les fumées.
- Maintenez les enfants et les autres personnes à l'écart lorsque des outils électriques sont en marche.** Toute distraction peut vous faire perdre le contrôle de l'outil.

2. Sécurité électrique

- Les prises des outils électriques doivent correspondre à la prise de courant murale. Ne modifiez jamais la prise d'aucune sorte. N'utilisez aucun adaptateur avec des outils électriques reliés à la terre.** L'utilisation de prises d'origine et de prises murales appropriées permet de réduire le risque de décharge électrique.
- Évitez tout contact physique avec des surfaces reliées à la terre comme des tuyaux, des radiateurs, des fours et des réfrigérateurs par exemple.** Le risque de décharge électrique augmente si votre corps est relié à la terre.
- N'exposez pas les outils électriques à la pluie, ni à l'humidité.** Le risque de décharge électrique augmente si de l'eau pénètre dans un outil électrique.

- Ne tirez pas sur le cordon d'alimentation. N'utilisez jamais le cordon pour transporter, tirer ou débrancher l'outil électrique. Maintenez le cordon à l'écart de la chaleur, des substances grasses, des bords tranchants ou des pièces mobiles.** Les cordons endommagés ou emmêlés augmentent le risque de décharge électrique.
- Si vous utilisez un outil électrique à l'extérieur, utilisez une rallonge homologuée pour les travaux extérieurs.** L'utilisation d'une rallonge électrique homologuée pour les travaux en extérieur réduit le risque de décharge électrique.
- Si l'utilisation d'un outil électrique dans un endroit humide est inévitable, utilisez une alimentation électrique protégée par un disjoncteur différentiel à courant résiduel (DDR).** L'utilisation d'un DDR réduit le risque de décharge électrique.

3. Sécurité des personnes

- Restez vigilant. Soyez concentré sur ce que vous faites et faites preuve de bon sens chaque fois que vous utilisez un outil électrique. N'utilisez pas d'outils électriques quand vous êtes fatigué ou sous l'influence de drogues, d'alcool ou de médicaments.** Tout moment d'inattention pendant l'utilisation d'un outil électrique peut engendrer de graves blessures.
- Portez des équipements de protection individuelle. Portez toujours une protection oculaire.** Les équipements de protection comme les masques à poussière, les chaussures de sécurité antidérapantes, les casques ou les protections auditives utilisés à bon escient réduisent le risque de blessures.
- Empêchez le démarrage non intentionnel. Veillez à ce l'interrupteur soit sur la position Arrêt avant de raccorder l'outil à l'alimentation électrique et/ou au bloc-batterie ou avant de ramasser ou de transporter l'outil.** Le fait de transporter les outils électriques le doigt sur l'interrupteur ou d'alimenter les outils électriques dont l'interrupteur est déjà en position Marche augmente les accidents.
- Retirez toutes les clés ou pinces de réglage avant de mettre l'outil en marche.** Une clé ou une pince restée fixée sur une partie rotative de l'outil électrique peut entraîner des blessures.
- Ne vous penchez pas. Gardez les pieds bien ancrés au sol et conservez votre équilibre en permanence.** Cela permet de mieux maîtriser l'outil électrique en cas de situations imprévues.
- Portez des vêtements appropriés. Ne portez aucuns vêtements amples, ni bijoux. Gardez vos cheveux et vos vêtements à l'écart des**

pièces mobiles. Les vêtements amples, les bijoux ou les cheveux longs peuvent être happés par les pièces mobiles.

- g. Si vous disposez de dispositifs pour l'extraction et la récupération des poussières, veillez à ce qu'ils soient correctement raccordés et utilisés.** L'utilisation de dispositifs récupérateurs de poussière réduit les risques liés aux poussières.
- h. Ne pensez pas être à ce point familiarisé avec l'outil après l'avoir utilisé à de nombreuses reprises, au point de ne plus rester vigilant et d'en oublier les consignes de sécurité.** Toute action imprudente peut engendrer de graves blessures en une fraction de seconde.

4. Utiliser et entretenir un outil électrique

- a. Ne sur-sollicitez pas l'outil électrique. Utilisez le bon outil électrique, adapté à la tâche à réaliser.** Un outil adapté fonctionne mieux, de façon plus sûre et à la cadence pour laquelle il a été conçu.
- b. N'utilisez pas l'outil électrique si l'interrupteur ne permet plus de le mettre en marche et de l'éteindre.** Tout appareil électrique qui ne peut plus être commandé par son interrupteur est dangereux et il doit être réparé.
- c. Débranchez la prise du secteur et/ou retirez le bloc-batterie de l'outil électrique s'il est amovible, avant d'effectuer tout réglage, de changer un accessoire ou de ranger l'outil électrique.** Ces mesures de sécurité préventives réduisent le risque de démarrage accidentel de l'outil électrique.
- d. Rangez les outils électriques non utilisés hors de portée des enfants et ne laissez aucune personne ne connaissant pas ces outils ou leurs instructions d'utilisation les faire fonctionner.** Les outils électriques peuvent être dangereux entre des mains inexpérimentées.
- e. Entretenez vos outils électriques et leurs accessoires. Vérifiez que les pièces mobiles sont alignées correctement et qu'elles ne sont pas coincées. Vérifiez qu'aucune pièce n'est cassée et contrôlez l'absence de toute autre condition qui pourrait nuire au bon fonctionnement de l'outil. En cas de dommage, faites réparer l'outil électrique avant de le réutiliser.** De nombreux accidents sont provoqués par des outils électriques mal entretenus.
- f. Maintenez les organes de coupe affûtés et propres.** Des organes de coupe bien entretenus dont le tranchant est affûté sont moins susceptibles de rester coincés et sont plus faciles à maîtriser.
- g. Utilisez l'outil électrique, les accessoires et les embouts d'outils conformément à ces instructions, en tenant compte des conditions de travail**

et de la tâche à effectuer. L'utilisation d'un outil électrique à d'autres fins que celles pour lesquelles il a été prévu peut entraîner des situations dangereuses.

- h. Maintenez toutes les poignées et surfaces de préhension sèches, propres et exemptes d'huile et de graisse.** Des poignées et des surfaces de préhension glissantes ne permettent pas de manipuler et de maîtriser l'outil correctement en cas de situations inattendues.

5. Utiliser et entretenir un outil fonctionnant sur batterie

- a. N'effectuez la recharge qu'à l'aide du chargeur spécifié par le fabricant.** Un chargeur adapté pour un type de bloc-batterie peut créer un risque d'incendie s'il est utilisé avec un bloc-batterie différent.
- b. N'utilisez l'outil électrique qu'avec les blocs-batteries spécifiquement prévus.** L'utilisation d'un autre bloc-batterie peut créer un risque de blessures et d'incendie.
- c. Quand le bloc-batterie n'est pas utilisé, éloignez-le des objets métalliques comme les trombones, les pièces, les clés, les clous, les vis ou les autres petits objets qui pourraient créer un contact entre les deux bornes.** La mise en court-circuit des bornes d'une batterie peut provoquer des brûlures ou un incendie.
- d. Dans des conditions extrêmes, du liquide peut être éjecté de la batterie. Évitez tout contact. En cas de contact accidentel, rincez à l'eau. En cas de contact avec les yeux, consultez en plus un médecin.** Le liquide sortant de la batterie peut provoquer des irritations ou des brûlures.
- e. N'utilisez jamais un bloc-batterie ou un outil qui est endommagé ou qui a été modifié.** Les batteries endommagées ou modifiées peuvent avoir un comportement imprévisible qui peut conduire à un incendie, une explosion ou à un risque de blessure.
- f. N'exposez pas le bloc-batterie ou l'outil au feu ou à des températures excessives.** L'exposition au feu ou à des températures dépassant 130 °C peut provoquer une explosion.
- g. Respectez toutes les instructions liées à la charge et ne rechargez pas le bloc-batterie ou l'outil en dehors de la plage de températures spécifiée dans les instructions.** Une charge mal effectuée ou à des températures hors de la plage spécifiée peut endommager le bloc-batterie et augmenter le risque d'incendie.

6. Révision/Réparation

- Faites réviser/réparer votre outil électrique par une personne qualifiée, n'utilisant que des pièces de rechange d'origine.** Cela permet de garantir la sûreté de l'outil électrique.
- Ne réparez jamais un bloc-batterie endommagé.** Les réparations sur les blocs-batteries ne doivent être effectuées que par le fabricant ou l'un de ses prestataires de services agréés.

Risques résiduels

Malgré l'application de la réglementation de sécurité applicable et la mise en œuvre des dispositifs de sécurité, certains risques résiduels ne peuvent pas être évités. À savoir :

- ♦ Diminution de l'acuité auditive.
- ♦ Risques de dommages corporels dus à la projection de particules.
- ♦ Risques de brûlures provoquées par des accessoires chauffant pendant leur utilisation.
- ♦ Risques de dommages corporels dus à un usage prolongé.

Sécurité des personnes

- ♦ Cet outil ne peut pas être utilisé par des personnes (y compris des enfants) ayant des capacités physiques, sensorielles ou mentales réduites, ou celles manquant d'expérience et de connaissances, à moins qu'elles ne soient encadrées ou qu'elles n'aient été formées à l'utilisation de l'outil par une personne responsable de leur sécurité.
- ♦ Les enfants doivent être surveillés pour garantir qu'ils ne jouent pas avec l'appareil.

Vibrations

La valeur des émissions de vibrations déclarée dans les caractéristiques techniques et la déclaration de conformité a été mesurée conformément à la méthode de test normalisée établie par la norme EN62841 et elle peut être utilisée pour comparer un outil à un autre. La valeur des vibrations émises déclarée peut aussi être utilisée pour une évaluation préliminaire à l'exposition.



Avertissement ! En fonction de la manière dont l'outil est utilisé, la valeur réelle des vibrations émises pendant son utilisation peut différer de la valeur déclarée. Le niveau des vibrations peut dépasser le niveau déclaré.

Quand l'exposition aux vibrations est évaluée afin de déterminer les mesures de sécurité requises par la norme 2002/44/CE pour protéger les personnes utilisant régulièrement des outils électriques, l'estimation de l'exposition aux vibrations doit tenir compte des conditions réelles d'utilisation et de la façon dont l'outil est utilisé. Il faut également tenir compte de toutes les composantes du cycle de fonctionnement comme les durées pendant lesquelles

l'outil est arrêté et quand il fonctionne au ralenti, ainsi que la durée du déclenchement.

Étiquettes apposées sur l'outil

Les symboles suivant figurent sur l'outil avec le code date :



Avertissement ! Afin de réduire le risque de blessures, l'utilisateur doit lire la notice d'utilisation.

Consignes de sécurité supplémentaires propres aux batteries et aux chargeurs Batteries

- ♦ Ne tentez de les ouvrir sous aucun prétexte.
- ♦ N'exposez pas la batterie à l'eau.
- ♦ Ne la rangez pas dans des endroits où la température peut dépasser 40 °C.
- ♦ Ne procédez à la charge qu'à une température ambiante comprise entre 10 °C et 40 °C.
- ♦ N'utilisez que le chargeur fourni avec l'outil.
- ♦ Au moment de jeter les batteries, respectez les instructions mentionnées dans la section "Protection de l'environnement".

Chargeurs

- ♦ N'utilisez votre chargeur Stanley Fatmax que pour recharger la batterie fournie avec l'outil. Les autres batteries pourraient exploser et entraîner des blessures et des dommages.
- ♦ Ne tentez jamais de recharger des piles non rechargeables.
- ♦ Faites immédiatement remplacer les cordons endommagés.
- ♦ N'exposez pas le chargeur à l'eau.
- ♦ N'ouvrez pas le chargeur.
- ♦ Ne sondez pas le chargeur.

Sécurité électrique



Ce chargeur est doublement isolé et il ne nécessite donc aucune liaison à la terre. Assurez-vous toujours que l'alimentation électrique correspond à la tension mentionnée sur la plaque signalétique.

- ♦ Si le câble d'alimentation est endommagé, il doit être remplacé par le fabricant ou dans un centre d'assistance agréé Stanley afin d'éviter tout risque.

Caractéristiques

1. Système de poignée périphérique
2. Interrupteur Marche/Arrêt à glissière
3. Patin en mousse
4. Molette de réglage de la vitesse
5. Batterie
6. Bouton de libération de la batterie

ASSEMBLAGE ET RÉGLAGES



Avertissement ! Afin de réduire le risque de blessure grave, éteignez la machine et retirez le bloc-batterie avant d'effectuer toute opération de réglage ou de retirer/installer tout équipement ou accessoire. Un démarrage accidentel peut entraîner des blessures.

Installer le bonnet applicateur de cire en laine (Fig. A, B, D)



AVERTISSEMENT : Si une seule pièce manque, NE FAITES PAS fonctionner cette lustreuse/polisseuse avant de l'avoir réinstallée. Le non-respect de cette consigne peut occasionner de graves blessures.

1. Installez le bonnet applicateur de cire (8) sur le patin en mousse (3), comme illustré par la Fig. A. Veillez TOUJOURS à ce que l'élastique au bas du bonnet soit correctement rentré sous le patin en mousse.
2. Avec la cire en pâte, utilisez un couteau à mastic ou tout autre objet plat, appliquez la cire sur le bonnet en répartissant correctement une cuiller à café de cire sur toute la surface du bonnet, comme illustré par la Fig. B. **IMPORTANT :** N'appliquez pas la cire directement sur le véhicule.
3. Avec la cire liquide, appliquez trois points de cire sur le bonnet applicateur. Il doit y en avoir assez pour couvrir 1/4 de la surface du véhicule, comme illustré par la Fig. D.
4. Pour la seconde, la troisième et la quatrième applications, n'utilisez que la moitié de la quantité utilisée pour la première application. Le bonnet n'est pas capable d'absorber autant de cire après la première application.

Installer le bonnet de polissage en éponge (Fig. C, D)

1. Installez le bonnet en éponge (9) sur le patin en mousse (3).
2. Veillez TOUJOURS à ce que l'élastique au bas du bonnet soit correctement rentré sous le patin en mousse.
3. Appliquez la cire en un mouvement circulaire, comme illustré par la Fig. D

UTILISATION



Avertissement ! Afin de réduire tout risque de blessures graves, éteignez la machine et retirez le bloc-batterie avant d'effectuer tout réglage ou de retirer/installer toute pièce ou accessoire. Un démarrage accidentel peut entraîner des blessures.

Insérer et retirer le bloc-batterie de l'outil

Pour installer le bloc-batterie (Fig. E)

- ♦ Insérez le bloc-batterie (5) fermement dans l'outil jusqu'à entendre le clic, comme illustré par la figure E. Assurez-vous que le bloc-batterie est bien en place et correctement verrouillé.

Pour retirer le bloc-batterie (Fig. E)

- ♦ Appuyez sur le bouton de libération de la batterie (6) comme illustré par la figure E et tirez sur le bloc-batterie pour le sortir de l'outil.

Molette de réglage de la vitesse

La molette de réglage de la vitesse (4) permet de changer la vitesse de la polisseuse. Tournez la molette vers l'avant pour augmenter la vitesse et vers l'arrière pour la diminuer. 1 représente le réglage le plus bas et 3 le plus haut.

Position correcte des mains (Fig. F)



Avertissement ! Afin de réduire tout risque de graves blessures, respectez TOUJOURS la position des mains recommandée et illustrée.



Avertissement ! Afin de réduire tout risque de graves blessures, veillez à TOUJOURS tenir l'outil fermement pour pouvoir anticiper toute éventuelle réaction soudaine.

La position correcte pour les mains nécessite d'avoir les deux mains sur la poignée périphérique (1).

Cirer un véhicule (Fig. G)

1. Avant de commencer à cirer, lustrer ou polir votre véhicule, supprimez toutes les traces de goudron, de graisse et d'insectes à l'aide d'un nettoyant multiusage. Séchez votre véhicule.
2. Placez la lustreuse/polisseuse contre le véhicule et allumez-la en glissant l'interrupteur sur la position Marche. Pour éviter les projections de cire, veillez à TOUJOURS allumer et éteindre la lustreuse/polisseuse posée contre la surface à polir.
3. Commencez à lustrer à basse vitesse puis augmentez la vitesse à l'aide de la molette de réglage de la vitesse (4).
4. Appliquez la cire en ligne droite, de gauche à droite ou d'avant en arrière. Faites toujours des passes larges et régulières pour appliquer la cire. Appliquez la cire en couches fines et homogènes. Trop de cire n'améliore pas la protection. Cela complique seulement le retrait de la cire.
5. Appliquez d'abord la cire sur les surfaces à plat (capot, coffre et toit). Ne cirez qu'une partie à la fois.
6. Cirez les côtés, une fois les parties plates terminées. Il est plus facile d'appliquer la cire sur l'ensemble de la surface avant de la retirer mais nous vous demandons cependant de respecter les recommandations spécifiques de la cire ou du produit de polissage utilisés.

7. Une fois l'application de cire avec le bonnet applicateur terminée, ÉTEIGNEZ la lustreuse/polisseuse avant de la soulever de la surface du véhicule.

REMARQUE : NE mettez PAS trop de cire sur le bonnet. Trop de cire pourrait saturer le bonnet et diminuer sa durée de vie. CELA COMPLIQUE LE POLISSAGE QUI PREND ALORS PLUS TEMPS.

REMARQUE : Si le bonnet tombe souvent du patin, cela peut indiquer que vous utilisez trop de cire.

REMARQUE : Si le lustrage est fastidieux, cela indique que vous avez utilisé trop de cire.

IMPORTANT : N'appuyez PAS trop sur la surface du véhicule avec l'outil. Le mouvement planétaire aléatoire de cet outil est plus performant si l'appui n'est pas trop prononcé. Un appui trop prononcé ralentit le mouvement planétaire aléatoire de l'outil et son efficacité.

IMPORTANT : Les bonnets applicateurs de cire sont à usage unique. Ils doivent ensuite être jetés convenablement.

Lustrer et polir

Veillez à ce que le bonnet soit propre et exempt de toute particule ou corps étranger qui pourraient être projetés et rayer la peinture

REMARQUE : Vous devez faire preuve de beaucoup de vigilance lorsque vous polissez les zones autour ou sur des parties tranchantes et les contours de la carrosserie du véhicule. Appliquer la bonne pression pendant le polissage des différentes parties de la carrosserie d'une automobile est primordial. Par exemple, la pression doit être légère pour polir les bords tranchants des panneaux de carrosserie ou les bords de la gouttière le long du toit.

1. Attendez que la cire ait séché de façon homogène sur le véhicule.
2. Mettez la lustreuse/polisseuse en marche.

IMPORTANT : N'appuyez PAS trop sur la surface du véhicule avec l'outil. Le mouvement planétaire aléatoire de cet outil est plus performant si l'appui n'est pas trop prononcé. Un appui trop prononcé ralentit le mouvement planétaire aléatoire de l'outil et son efficacité.

REMARQUE : Pour obtenir de meilleurs résultats, faites des passes longues en balayant en croix pour retirer la cire.

3. Lustrez et polissez la surface entière jusqu'à avoir retiré toute la cire. Retirez le bonnet de temps en temps et secouez les résidus de cire sèche. Trop de résidus de cire sur le bonnet peut occasionner des rayures. Il se peut que vous ayez à remplacer le bonnet par un neuf s'il est trop sale pour empêcher les rayures.

REMARQUE : Le frottement à haute vitesse du bonnet de polissage sur la surface d'une automobile peut entraîner de l'électricité statique sur les parties métalliques de cet outil. Cela peut entraîner une sensation de petite décharge électrique si vous touchez une partie métallique de l'outil, plus

perceptible encore les jours où l'humidité ambiante est très faible. Il s'agit d'un phénomène sans inoffensif, mais vous êtes invités à apporter l'outil à un centre d'assistance pour faire contrôler l'absence de tout dysfonctionnement électrique.

Conseils pour l'entretien d'un véhicule

- Lavez et polissez le véhicule trois à quatre fois par an pour protéger la peinture.
- Lavez le véhicule au moins toutes les deux semaines avec une solution de lavage pour véhicule qui n'attaque pas le fini ou la cire. ÉVITEZ les détergents ménagers.
- Effectuez le lavage à l'aide d'une éponge propre et le séchage à l'aide d'une serviette en éponge pour ne pas rayer la peinture. Travaillez de haut en bas.
- Supprimez les insectes, les fientes d'oiseaux, la sève des arbres et les traces de goudron de la surface du véhicule tous les jours.
- Assurez-vous TOUJOURS que la surface du véhicule est froide avant de le laver.
- Évitez de vous garer près d'arroseurs automatiques car les traces de gouttes d'eau sont difficiles à supprimer.
- Veillez à TOUJOURS éloigner les produits lave-vitres chimiques des surfaces peintes. Ne pulvérisez PAS directement sur les vitres mais sur un chiffon.

Maintenance

Votre outil a été conçu pour fonctionner longtemps avec un minimum d'entretien. Le fonctionnement continu et satisfaisant de l'outil dépend de son bon entretien et de son nettoyage régulier.

Votre chargeur ne nécessite aucun entretien particulier, à l'exception d'un nettoyage régulier.



Avertissement ! Avant de réaliser toute opération de maintenance sur l'outil, retirez-en la batterie. Débranchez le chargeur avant de le nettoyer.

- ♦ Nettoyez régulièrement les orifices d'aération de votre outil et du chargeur à l'aide d'une brosse souple ou d'un chiffon sec.
- ♦ Nettoyez régulièrement le bloc-moteur à l'aide d'un chiffon humide. N'utilisez pas de détergents abrasifs ou à base de solvants.

Protection de l'environnement



Tri sélectif. Les produits et piles/batteries marqués de ce symbole ne doivent pas être jetés avec les déchets ménagers.

Les produits et les piles/batteries contiennent des matières qui peuvent être récupérées et recyclées afin de réduire la demande en matières premières.

Veillez à recycler les produits électriques et les piles/batteries conformément aux prescriptions locales en vigueur. Pour plus d'informations, consultez le site www.2helpU.com

Caractéristiques techniques

SFMCCE100		
Tension	V_{CC}	18V
Tr/min	min^{-1}	2200-2800
Poids	kg	2,17

Chargeur		SFMCB11	SFMCB12	SFMCB14
Tension d'entrée	V_{CA}	230	230	230
Tension de sortie	V_{CC}	18	18	18
Courant	A	1,25	2	4

Batterie		SFMCB201	SFMCB202	SFMCB204	SFMCB206
Tension	V_{CC}	18	18	18	18
Capacité	Ah	1,5	2,0	4,0	6,0
Type		Li-Ion	Li-Ion	Li-Ion	Li-Ion

Niveau de pression sonore selon la norme EN 62841 :	
Pression sonore (L_{pA})	53 dB(A), incertitude (K) 3 dB(A)
Puissance sonore (L_{WA})	64 dB(A), incertitude (K) 3 dB(A)
Valeurs totales des vibrations (somme vectorielle triaxiale) selon la norme EN 62841 :	
Valeur des vibrations émises (a_{wv})	7,5 m/s^2 , incertitude (K) 1,5 m/s^2

Déclaration de conformité CE Directive Machines



Polisseuse SFMCCE100

Stanley certifie que les produits décrits dans la section "Caractéristiques techniques" sont en conformité avec :

2006/42/CE, EN62841-1:2015, EN62841-2-4:2014.

Ces produits sont également conformes aux Directives 2014/30/UE et 2011/65/UE

Pour obtenir plus de précisions, prenez contact avec Stanley à l'adresse qui suit ou consultez la dernière page de la notice.

Le soussigné est responsable de la compilation du dossier technique et il fait cette déclaration au nom de Stanley.

Patrick Diepenbach

Patrick Diepenbach
Directeur général, Benelux
Stanley,
Egide Walschaertsstraat 14-18
2800 Mechelen, Belgique
15.05.2022

Garantie

Stanley est sûr de la qualité de ses produits et offre une garantie de 24 mois à ses clients, à partir de la date d'achat. Cette garantie s'ajoute à vos droits légaux auxquels elle ne porte aucunement préjudice. Cette garantie est valable au sein des territoires des états membres de l'Union européenne, de la zone européenne de libre-échange et du Royaume-Uni.

Pour prétendre à la garantie, la réclamation doit être en conformité avec les conditions générales de Stanley et vous devez fournir une preuve d'achat au vendeur ou au réparateur agréé. Les conditions générales de la garantie Stanley de 2 ans ainsi que l'adresse du réparateur agréé le plus proche sont disponibles sur le site Internet www.2helpU.com ou en contactant votre agence Stanley locale à l'adresse indiquée dans cette notice.

Veuillez consulter notre site Internet www.blackanddecker.co.uk pour enregistrer votre nouveau produit Stanley et pour être tenu informé des nouveaux produits et des offres spéciales.

Uso previsto

Questa lucidatrice per auto STANLEY FATMAX SFMCE100 è stata progettata per levigare e lucidare. Questo utensile è concepito per uso professionale e privato e per utenti non professionisti.

Istruzioni di sicurezza

Avvertenze di sicurezza generali riguardanti gli elettro utensili



Avvertenza! Leggere tutte le avvertenze, istruzioni, illustrazioni e specifiche fornite con questo elettro utensile. La mancata osservanza delle istruzioni seguenti può dar luogo a scosse elettriche, incendi e/o lesioni gravi a persone.

Conservare tutte le avvertenze e le istruzioni per riferimenti futuri. Il termine "elettro utensile" che ricorre in tutte le avvertenze si riferisce a utensili elettrici alimentati tramite la rete (con cavo) o a batteria (senza cavo).

1. Sicurezza dell'area di lavoro

- Mantenere pulita e ben illuminata l'area di lavoro.**
Gli ambienti disordinati o scarsamente illuminati favoriscono gli incidenti.
- Evitare di usare gli elettro utensili in ambienti esposti a rischio di esplosione, ad esempio in presenza di liquidi, gas o polveri infiammabili.** Gli elettro utensili generano scintille che possono incendiare polveri o fumi.
- Durante l'uso di un elettro utensile, tenere lontani i bambini e le altre persone presenti nelle vicinanze.** Eventuali distrazioni possono provocare la perdita di controllo dell'elettro utensile.

2. Sicurezza elettrica

- Le spine degli elettro utensili devono essere adatte alla presa di corrente. Non modificare la spina in alcun modo. Non usare spine con adattatore con gli elettro utensili dotati di messa a terra.** Per ridurre il rischio di scosse elettriche evitare di modificare le spine e utilizzare sempre le prese di corrente appropriate.
- Evitare il contatto con superfici collegate a terra, quali tubature, termosifoni, fornelli e frigoriferi.** Se il proprio corpo è collegato a terra, il rischio di scossa elettrica aumenta.
- Custodire gli elettro utensili al riparo dalla pioggia o dall'umidità.** L'eventuale penetrazione di acqua all'interno dell'elettro utensile comporta un aumento del rischio di scosse elettriche.
- Non utilizzare il cavo di alimentazione in modo improprio. Non spostare, tirare o scollegare mai l'elettro utensile dalla presa di corrente afferandolo dal cavo. Tenere il cavo di alimentazione lontano da fonti di calore, olio, bordi taglienti**

o parti in movimento. Se il cavo di alimentazione è danneggiato o impigliato, il rischio di scosse elettriche aumenta.

- Se l'elettro utensile viene utilizzato all'aperto, usare esclusivamente prolunghie omologate per l'impiego all'esterno.** L'uso di un cavo di alimentazione adatto per esterni riduce il rischio di scosse elettriche.
- Se non è possibile evitare di utilizzare un elettro utensile in una zona umida, collegarsi a una rete elettrica protetta da un interruttore differenziale salvavita (RCD).** L'uso di un RCD riduce il rischio di scosse elettriche.

3. Sicurezza personale

- Prestare attenzione, osservare ciò che si sta facendo e utilizzare il buon senso quando si utilizza un elettro utensile. Non usare un elettro utensile quando si è stanchi o sotto l'effetto di droghe, alcol o medicine.** Un solo attimo di distrazione durante l'uso dell'elettro utensile potrebbe provocare gravi lesioni personali.
- Utilizzare dispositivi di protezione individuale. Indossare sempre occhiali di sicurezza.** L'uso di dispositivi di protezione individuale, quali mascherine antipolvere, scarpe antinfortunistiche antiscivolo, elmetti di sicurezza o protezioni per l'udito in condizioni opportune consente di ridurre le lesioni personali.
- Prevenire l'avvio accidentale. Accertarsi che l'interruttore sia nella posizione di spegnimento, prima di collegare l'elettro utensile alla rete elettrica e/o alla batteria, di prenderlo in mano o di trasportarlo.** Per non esporsi al rischio di incidenti, non trasportare l'elettro utensile tenendo un dito sull'interruttore e non collegarlo a una fonte di alimentazione elettrica con l'interruttore in posizione di accensione.
- Prima di accendere un elettro utensile, rimuovere eventuali utensili o chiavi di regolazione.** Un utensile di regolazione o una chiave inseriti in una parte rotante dell'elettro utensile potrebbero provocare lesioni personali.
- Non sporgersi troppo. Mantenere sempre un appoggio e un equilibrio adeguati.** In tal modo è possibile mantenere un migliore controllo dell'elettro utensile nelle situazioni impreviste.
- Indossare indumenti adeguati. Non indossare abiti larghi o gioielli. Tenere capelli e indumenti lontano dalle parti mobili.** Abiti larghi, gioielli o capelli lunghi possono impigliarsi nelle parti in movimento.
- Se gli elettro utensili sono provvisti di attacchi per il collegamento di dispositivi di aspirazione o di raccolta della polvere, assicurarsi che questi**

siano installati e utilizzati correttamente. L'impiego di dispositivi di aspirazione delle polveri può ridurre i pericoli legati a queste ultime.

- h. Non lasciare che la dimestichezza acquisita dall'uso frequente degli utensili induca a cedere alla tentazione di ignorare i principi di utilizzo sicuro degli stessi.** Un'azione imprudente potrebbe provocare lesioni gravi in una frazione di secondo.

4. Utilizzo e cura degli elettro utensili

- a. Non forzare l'elettro utensile. Utilizzare l'elettro utensile adatto per l'applicazione.** L'elettro utensile corretto funziona meglio e in modo più sicuro se utilizzato alla velocità per cui è stato progettato.
- b. Non usare l'elettro utensile se l'interruttore di accensione/spengimento non funziona.** Qualsiasi elettro utensile che non possa essere controllato tramite l'interruttore è pericoloso e deve essere riparato.
- c. Scollegare la spina dalla presa di corrente e/o rimuovere il pacco batteria, se estraibile, dall'elettro utensile prima di effettuare qualsiasi tipo di regolazione, cambiare gli accessori o ri-parlo.** Queste misure di sicurezza preventive riducono il rischio di azionare l'elettro utensile accidentalmente.
- d. Quando non vengono usati, custodire gli elettro utensili fuori dalla portata dei bambini e non consentirne l'uso da parte di persone che non abbiano dimestichezza con essi o che non abbiano letto le istruzioni.** Gli elettro utensili sono pericolosi in mano a persone inesperte.
- e. Sottoporre elettro utensili e accessori a manutenzione. Verificare che le parti mobili siano correttamente allineate e non inceppate, che non vi siano componenti rotti e che non sussistano altre condizioni che possono compromettere il funzionamento dell'apparecchio.** Se l'elettro utensile è danneggiato, farlo riparare prima dell'uso. Molti incidenti sono provocati da elettro utensili non sottoposti a una corretta manutenzione.
- f. Mantenere affilati e puliti gli utensili da taglio.** La manutenzione corretta degli utensili da taglio con bordi affilati riduce le probabilità di inceppamento e ne facilita il controllo.
- g. Utilizzare l'elettro utensile, gli accessori, le punte, ecc. in conformità alle presenti istruzioni, tenendo conto delle condizioni operative e del lavoro da eseguire.** L'utilizzo dell'apparecchio per impieghi diversi da quelli previsti può provocare situazioni di pericolo.
- h. Mantenere le impugnature e le superfici di presa asciutte, pulite e senza tracce di olio o grasso.** Impugnature e superfici di presa scivolose non consentono di maneggiare e controllare in modo sicuro l'elettro utensile in caso di imprevisti.

5. Uso e cura degli elettro utensili a batteria

- a. Ricaricare la batteria utilizzando esclusivamente il caricabatterie specificato dal fabbricante.** Un caricabatterie adatto per un pacco batteria di un determinato tipo può esporre al rischio d'incendio se usato con un pacco batteria diverso.
- b. Utilizzare gli elettro utensili esclusivamente con pacchi batteria appositamente designati.** L'impiego di pacchi batteria di tipo diverso potrebbe comportare il rischio di lesioni alle persone e incendi.
- c. Quando il pacco batteria non viene usato, tenerlo lontano da altri oggetti metallici, quali graffette, monete, chiavi, chiodi, viti o altri oggetti metallici di piccole dimensioni, che potrebbero cortocircuitare un terminale con l'altro.** Se i terminali della batteria venissero cortocircuitati potrebbero provocare ustioni o un incendio.
- d. In condizioni di uso improprio, dalla batteria potrebbe fuoriuscire del liquido; evitare di toccarlo. In caso di contatto accidentale, sciacquare la pelle con abbondante acqua. Se il liquido dovesse entrare a contatto con gli occhi, rivolgersi anche a un medico.** Il liquido che fuoriesce dalla batteria potrebbe causare irritazioni o ustioni.
- e. Non utilizzare un pacco batteria o un utensile danneggiati o modificati.** Le batterie danneggiate o modificate potrebbero manifestare un comportamento imprevedibile con la possibilità di causare un'esplosione o un incendio.
- f. Non esporre un pacco batteria o un utensile al fuoco o a temperature elevate.** L'esposizione al fuoco o a una temperatura superiore a 130 °C potrebbe provocare un'esplosione.
- g. Seguire tutte le istruzioni per la ricarica e non ricaricare il pacco batteria o l'elettro utensile a una temperatura che non rientri nell'intervallo di valori specificato nelle istruzioni.** Una ricarica effettuata in maniera scorretta o a una temperatura che non rientra nell'intervallo di valori specificato, potrebbe danneggiare la batteria aumentando il rischio d'incendio.

6. Assistenza

- a. L'elettro utensile deve essere riparato da personale qualificato, che utilizzi ricambi originali identici alle parti da sostituire.** In questo modo viene garantita la sicurezza dell'elettro utensile.
- b. Non tentare di riparare i pacchi batteria danneggiati.** Gli interventi di riparazione su pacchi batteria danneggiati devono essere eseguiti dal fabbricante o da tecnici dell'assistenza autorizzati.

Rischi residui

Malgrado l'applicazione delle principali regole di sicurezza e l'implementazione di dispositivi di sicurezza, alcuni rischi residui non possono essere evitati. Questi sono:

- Menomazioni uditive.
- Rischio di lesioni personali causati da schegge volanti.
- Rischio di bruciature causate da parti che si arroventano durante la lavorazione.
- Rischio di lesioni personali causate dall'utilizzo prolungato.

Sicurezza altrui

- Questo elettrotensile non è destinato all'uso da parte di persone (compresi i bambini) con capacità fisiche, sensoriali o mentali ridotte, o prive di esperienza e conoscenze, a meno che non siano sottoposte a sorveglianza o ricevano istruzioni riguardo all'uso dell'elettrotensile da parte di una persona responsabile della loro sicurezza.
- I bambini devono essere sorvegliati per assicurarsi che non giochino con l'elettrotensile.

Vibrazioni

I livelli di emissione di vibrazioni dichiarati, indicati nella sezione "Dati tecnici" e nella Dichiarazione di conformità di questo manuale, sono stati misurati attenendosi a un metodo di prova standard previsto dalla norma EN-62841 e possono essere usati come termine di paragone tra due utensili. Il livello di emissione di vibrazioni dichiarato può anche essere usato per una valutazione preliminare dell'esposizione.



Avvertenza! Il livello di emissione di vibrazioni durante l'uso effettivo dell'elettrotensile può differire dal valore dichiarato, a seconda delle modalità di utilizzo dell'elettrotensile. Il livello di emissione di vibrazioni potrebbe superare il valore dichiarato.

Quando si valuta l'esposizione alle vibrazioni per stabilire le misure di sicurezza richieste, in conformità alla norma 2002/44/CE destinata alla protezione delle persone che usano regolarmente elettrotensili nello svolgimento delle proprie mansioni lavorative, è necessario prendere in considerazione le condizioni effettive di utilizzo e il modo in cui l'elettrotensile viene usato, oltre che tenere conto di tutte le componenti del ciclo operativo, vale a dire i periodi in cui l'elettrotensile è spento, quelli in cui è acceso ma a riposo e quelli in cui viene effettivamente utilizzato.

Etichette sull'elettrotensile

Sull'elettrotensile sono presenti i seguenti simboli assieme al codice data:



Avvertenza! Per ridurre il rischio di lesioni personali, l'utilizzatore deve leggere il manuale di istruzioni.

Istruzioni di sicurezza aggiuntive per batterie e caricabatterie

Batterie

- Non tentare mai di aprire le batterie per alcun motivo.
- Non lasciare che le batterie si bagnino.
- Non conservare le batterie in luoghi dove la temperatura potrebbe superare i 40 °C.
- Ricaricare le batterie solo a temperature ambientali comprese tra 10 °C e 40 °C.
- Ricaricare le batterie solo con il caricabatterie fornito con l'elettrotensile.
- Quando si smaltiscono le batterie, seguire le istruzioni riportate nella sezione "Protezione dell'ambiente".

Caricabatterie

- Utilizzare il caricabatterie Stanley Fatmax solo per ricaricare la batteria nell'elettrotensile con il quale è stato fornito. Batterie diverse potrebbero scoppiare, causando lesioni alle persone e danni materiali.
- Non tentare mai di caricare batterie non ricaricabili.
- Fare sostituire immediatamente i cavi di alimentazione difettosi.
- Non lasciare che il caricabatterie si bagni.
- Non aprire il caricabatterie.
- Non collegare il caricabatterie a sonde.

Sicurezza elettrica



Il doppio isolamento di cui è provvisto il caricabatterie rende superfluo il filo di terra. Verificare sempre che la tensione di alimentazione corrisponda alla tensione indicata sulla targhetta dei valori nominali.

- In caso di danneggiamento del cavo di alimentazione, è necessario farlo riparare dal fabbricante o presso un Centro di assistenza Stanley autorizzato, in modo da evitare pericoli.

Caratteristiche

1. Impugnatura perimetrale
2. Interruttore di accensione/spengimento a scorrimento
3. Platorello con tampone in spugna
4. Selettore della velocità
5. Batteria
6. Pulsante di sgancio batteria

MONTAGGIO E REGOLAZIONI



Avvertenza! Per ridurre il rischio di gravi lesioni personali, spegnere l'elettrotensile e rimuovere il pacco batteria prima di eseguire qualsiasi regolazione o rimozione/installazione di dotazioni o accessori. Un avvio accidentale può provocare lesioni personali.

Montaggio della cuffia in lana per l'applicazione della cera (Fig. A, B, D)



AVVERTENZA: In mancanza di alcune parti, **NON** mettere in funzione la lucidatrice finché le

parti mancanti non saranno state ripristinate.

In caso contrario, potrebbero verificarsi gravi lesioni personali.

1. Montare la cuffia per l'applicazione della cera (8) al platorello per tampone in spugna (3), come illustrato nella Fig. A. Assicurarsi **SEMPRE** che la striscia elastica sul fondo della cuffia sia ben infilata sul lato inferiore del tampone di schiuma.
2. Per l'applicazione della cera in pasta, usare una spatola o un altro strumento piatto, applicare la cera in pasta sulla cuffia distribuendo un cucchiaino di cera in modo uniforme su tutta la superficie della cuffia di applicazione della cera, come mostrato nella Fig. B.
IMPORTANTE: non applicare la cera direttamente sul veicolo.
3. Nel caso della cera liquida, versare tre giri di cera sulla cuffia di applicazione. Questa quantità dovrebbe essere sufficiente per lucidare 1/4 della superficie del veicolo, come illustrato nella Fig. D.
4. Per la seconda, la terza e la quarta applicazione, utilizzare circa la metà della quantità usata per la prima applicazione. Durante queste applicazioni la cuffia non assorbirà molta cera.

Montaggio della cuffia per lucidatura in tessuto di spugna (Fig. C, D)

1. Posizionare la cuffia in tessuto di spugna (9) sul tampone in spugna (3).
2. Assicurarsi **SEMPRE** che la striscia elastica sul fondo della cuffia sia ben infilata sul lato inferiore del tampone di schiuma.
3. Applicare la cera compiendo dei movimenti circolari, come illustrato nella Fig. D.

USO

Avvertenza! Per ridurre il rischio di gravi lesioni personali spegnere l'elettrotensile e rimuovere il pacco batteria prima di eseguire qualsiasi regolazione o rimozione/installazione di dotazioni o accessori. Un avvio accidentale può provocare lesioni personali.

Installazione e rimozione del pacco batteria dall'elettrotensile**Per installare il pacco batteria (Fig. E)**

- ♦ Inserire saldamente il pacco batteria (5) nell'utensile finché non si avvertirà uno scatto, come illustrato nella figura E. Assicurarsi che il pacco batteria sia insediato a fondo e completamente bloccato in posizione.

Per rimuovere il pacco batteria (Fig. E)

- ♦ Premere il pulsante di sgancio batteria (6) come illustrato nella figura E ed estrarre il pacco batteria dall'elettrotensile.

Selettore di velocità

Il selettore di velocità (4) consente di cambiare la velocità di funzionamento della lucidatrice. Ruotare il selettore in senso orario per aumentare la velocità e in senso antiorario per ridurla. "1" è l'impostazione corrispondente alla velocità più bassa e "3" è l'impostazione corrispondente alla velocità più alta.

Corretto posizionamento delle mani (Fig. F)

Avvertenza! Per ridurre il rischio di gravi lesioni personali, tenere **SEMPRE** le mani nella posizione corretta, come illustrato in figura.



Avvertenza! Per ridurre il rischio di gravi lesioni personali, mantenere **SEMPRE** una presa sicura allo scopo di prevenire reazioni improvvise.

La posizione corretta delle mani richiede entrambe le mani sull'impugnatura perimetrale della (1).

Applicazione della cera sul veicolo (Fig. G)

1. Prima di iniziare a passare la cera, levigare e lucidare il veicolo, rimuovere tutto il catrame raccolto dalla strada, le macchie di grasso in eccesso e le tracce di insetti con un prodotto detergente generico. Asciugare il veicolo.
2. Porre la lucidatrice a contatto con il veicolo e accenderla facendo scorrere l'interruttore nella posizione di accensione. Per evitare spruzzi di cera, avviare e fermare **SEMPRE** la lucidatrice mantenendola a contatto con la superficie da lucidare.
3. Iniziare a passare la lucidatrice a bassa velocità e successivamente aumentare la velocità ruotando l'apposito selettore (4).
4. Applicare la cera procedendo in linea retta con movimenti da un lato all'altro o avanti e indietro. Procedere **SEMPRE** con passate ampie e uniformi. Applicare uno strato di cera sottile e uniforme. Una quantità eccessiva di cera non serve ad aumentare la protezione e non fa che complicare la sua rimozione.
5. Iniziare a passare la cera dalle superfici piane (cofano, baule e tetto). Applicare la cera una porzione alla volta.
6. Dopo aver lucidato le superfici piane, applicare la cera ai lati. È più semplice applicare la cera su tutta la superficie prima di avviare la fase di rimozione; tuttavia, seguire le raccomandazioni specifiche della cera o del prodotto lucidante utilizzato.
7. Una volta finito di applicare la cera con la cuffia **SPEGNERE** la lucidatrice prima di sollevarla dalla superficie del veicolo.

NOTA: non applicare una quantità di cera eccessiva sulla cuffia. Se si applica troppa cera, la cuffia si satura e la sua

durata si riduce. QUESTO RENDE LA LUCIDATURA PIÙ DIFFICOLTOSA E RICHIEDE PIÙ TEMPO.

NOTA: se la cuffia si stacca continuamente dal tampone, è probabile che si stia utilizzando troppa cera.

NOTA: se la levigatura risulta difficoltosa, significa che è stata usata troppa cera.

IMPORTANTE: NON ESERCITARE una pressione eccessiva con l'elettrotensile sulla superficie da lucidare. Il movimento orbitale casuale della lucidatrice funziona meglio quando viene esercitata una pressione minore. L'applicazione di una pressione eccessiva rallenta il movimento orbitale casuale e riduce l'efficacia dell'utensile.

IMPORTANTE: le cuffie per l'applicazione della cera devono essere usate una volta sola per poi essere smaltite correttamente.

Levigatura e lucidatura

Assicurarsi che la cuffia sia pulita e libera da qualsiasi particella o corpo estraneo che potrebbe essere proiettato o graffiare la finitura.

NOTA: prestare la massima attenzione durante la lucidatura attorno o sopra oggetti e contorni affilati della carrozzeria del veicolo. È molto importante esercitare la pressione corretta durante la lucidatura delle varie parti della carrozzeria di un'auto. Per esempio, è necessario esercitare una leggera pressione sui bordi affilati dei pannelli della carrozzeria o sulle estremità della canaletta di scolo della pioggia lungo il tetto.

1. Attendere che la cera si sia asciugata fino a formare una patina uniforme sul veicolo.
2. Accendere la lucidatrice.

IMPORTANTE: NON ESERCITARE una pressione eccessiva con l'elettrotensile sulla superficie da lucidare. Il movimento orbitale casuale della lucidatrice funziona meglio quando viene esercitata una pressione minore. L'applicazione di una pressione eccessiva rallenta il movimento orbitale casuale e riduce l'efficacia dell'utensile.

NOTA: per ottenere i migliori risultati, quando si rimuove la cera eseguire passate lunghe compiendo movimenti incrociati.

3. Levigare e lucidare l'intera superficie fino a rimuovere tutta la cera secca. Di tanto in tanto sfilare la cuffia e scuotere via i residui di cera secca. Una cuffia con residui in eccesso provocherà delle striature. Potrebbe essere necessario sostituire la cuffia con una nuova se non si riesce a pulirla a sufficienza per evitare le striature.

NOTA: L'azione di sfregamento ad alta velocità della cuffia di lucidatura sulla superficie di un'automobile può creare una carica statica sulle parti metalliche della lucidatrice. Questa può dare la sensazione di una leggera scossa elettrica molto breve se si tocca la parte metallica dell'utensile, in particolare nei giorni in cui il tasso di umidità è basso. Si tratta di un fenomeno innocuo, ma si consiglia di portare l'utensile presso un centro di assistenza in cui possa essere controllato per assicurarsi che non sia presente alcun difetto elettrico.

Suggerimenti per la cura del veicolo

- Lavare e lucidare il veicolo 3 - 4 volte all'anno per garantire la protezione della vernice.
- Lavare il veicolo almeno ogni 2 settimane con un detergente per veicoli che non danneggi la finitura e non tolga la cera. EVITARE il lavaggio con detersivi per la casa.
- Lavare il veicolo con una spugna pulita e asciugare con un panno di spugna per evitare che lo sporco graffi la vernice. Iniziare a lavare dall'alto per poi procedere con il lavaggio della parte inferiore.
- Rimuovere quotidianamente insetti, escrementi di uccelli, resina e catrame dalla superficie del veicolo.
- Assicurarsi SEMPRE che la superficie del veicolo sia fredda prima del lavaggio.
- Evitare di parcheggiare il veicolo in prossimità di irrigatori, perché le macchie d'acqua sono difficili da rimuovere.
- Tenere SEMPRE le sostanze chimiche del detergente per i vetri lontano dalle superfici verniciate. Spruzzare il detergente su uno straccio, NON direttamente sui vetri.

Manutenzione

Questo elettrotensile è stato progettato per funzionare a lungo con una manutenzione minima. Per ottenere prestazioni sempre soddisfacenti occorre avere cura dell'elettrotensile e sottoporlo a manutenzione periodica.

Il caricabatterie non richiede alcuna manutenzione, fuorché una pulizia regolare.



Avvertenza! Prima di eseguire interventi di manutenzione sull'elettrotensile rimuovere la batteria dallo stesso. Scollegare il caricabatterie prima di pulirlo.

- ♦ Pulire regolarmente le aperture di ventilazione dell'elettrotensile e del caricabatterie con un pennello a setole morbide o con un panno asciutto.
- ♦ L'alloggiamento del motore deve essere pulito regolarmente con un panno umido. Non utilizzare materiali abrasivi o detersivi a base di solventi.

Protezione dell'ambiente



Raccolta differenziata. I prodotti e le batterie contrassegnati con questo simbolo non devono essere smaltiti insieme ai normali rifiuti domestici.

I prodotti e le batterie contengono materiali che possono essere recuperati e riciclati, riducendo la domanda di materie prime.

Riciclare i prodotti e le batterie in base alle normative locali pertinenti. Ulteriori informazioni sono disponibili all'indirizzo www.2helpU.com.

Dati tecnici

SFMCE100		
Tensione	V_{DC}	18 V
Velocità	giri/min	2200-2800
Peso	kg	2,17

Caricabatterie		SFMCB11	SFMCB12	SFMCB14
Tensione d'ingresso	V_{AC}	230	230	230
Tensione d'uscita	V_{DC}	18	18	18
Corrente	A	1,25	2	4

Batteria		SFMCB201	SFMCB202	SFMCB204	SFMCB206
Tensione	V_{DC}	18	18	18	18
Capacità	Ah	1,5	2,0	4,0	6,0
Tipo		Li-Ion	Li-Ion	Li-Ion	Li-Ion

Livello di pressione sonora misurato in conformità alla norma EN 62841:	
Pressione sonora (L_w)	53 dB(A), incertezza (K) 3 dB(A)
Potenza sonora (L_{wa})	64 dB (A), incertezza (K) 3 dB (A)

Valori totali di emissione di vibrazioni (somma dei tre valori assiali) in conformità alla norma EN 62841:	
Valore di emissione di vibrazioni (a_{wv})	7,5 m/s^2 , incertezza (K) 1,5 m/s^2

Dichiarazione CE di conformità Direttiva macchine



Lucidatrice per auto SFMCE100

Stanley dichiara che i prodotti, i cui parametri sono indicati nella sezione "Dati tecnici" sono conformi alle seguenti norme: 2006/42/CE, EN62841-1:2015, EN62841-2-4:2014.

Inoltre, questi prodotti sono conformi alle Direttive 2014/30/UE e 2011/65/UE.

Per maggiori informazioni, contattare Stanley all'indirizzo seguente oppure consultare l'ultima di copertina del manuale.

Il firmatario è responsabile della compilazione del fascicolo tecnico e rende questa dichiarazione per conto di Stanley.

Patrick Diepenbach

Patrick Diepenbach
Direttore generale, Benelux
Stanley,
Egide Walschaertsstraat 14-18
2800 Mechelen, Belgio
15.05.2022

Garanzia

Stanley, certa della qualità dei propri prodotti, offre ai consumatori una garanzia di 24 mesi dalla data di acquisto. Questa garanzia è complementare ai diritti del consumatore previsti dalla legge e non li pregiudica in alcun modo. La garanzia è valida nei territori degli stati membri dell'Unione Europea, dell'EFTA (Associazione europea di libero scambio) e del Regno Unito.

Per attivare la garanzia, il reclamo dovrà essere effettuato in accordo con i Termini e condizioni di Stanley e sarà necessario presentare la prova di acquisto al venditore o al centro di assistenza autorizzato. I Termini e condizioni della garanzia Stanley di 2 anni e la sede del centro di assistenza riparatore autorizzato più vicino sono consultabili su Internet all'indirizzo www.2helpU.com, o contattando la propria sede Stanley di zona all'indirizzo indicato in questo manuale.

Visitare il nostro sito web www.blackanddecker.co.uk per registrare il prodotto Stanley appena acquistato e ricevere aggiornamenti su nuovi prodotti e offerte speciali.

Bedoeld gebruik

Uw STANLEY FATMAX SFMCE100-polijstmachine is ontworpen voor poetsen en polijsten. Dit apparaat is bedoeld voor professionele en particuliere, niet-professionele gebruikers.

Instructies voor de veiligheid

Algemene veiligheidswaarschuwingen voor elektrisch gereedschap



Waarschuwing! Lees alle veiligheidswaarschuwingen, instructies, illustraties en specificaties die bij dit gereedschap zijn meegeleverd. Het niet opvolgen van alle onderstaande instructies kan leiden tot een elektrische schok, brand en/of ernstig letsel.

Bewaar alle waarschuwingen en instructies zodat u deze later ook kunt raadplegen. De term "elektrisch gereedschap" in de waarschuwingen verwijst naar uw (met een snoer) op de netspanning aangesloten elektrisch gereedschap of naar uw (snoerloos) elektrisch gereedschap met een accu.

1. Veiligheid op de werkplek

- Houd het werkgebied schoon en goed verlicht.** Op rommelige of donkere plekken kunnen gemakkelijk ongelukken gebeuren.
- Bedien elektrisch gereedschap niet in een explosieve omgeving, zoals in de nabijheid van ontvlambare vloeistoffen, gassen of stof.** Elektrisch gereedschap veroorzaakt vonken die het stof of de dampen kunnen doen ontbranden.
- Houd kinderen en omstanders op een afstand wanneer u elektrisch gereedschap bedient.** Als u wordt afgeleid, kunt u de controle over het gereedschap verliezen.

2. Elektrische veiligheid

- Stekkers van elektrisch gereedschap moeten in het stopcontact passen. Pas de stekker nooit op enigerlei wijze aan. Gebruik geen adapterstekkers met geaard elektrisch gereedschap.** Niet-aangepaste stekkers en passende contactdozen verminderen het risico van een elektrische schok.
- Vermijd lichamelijk contact met geaarde oppervlakken zoals buizen, radiatoren, fornuizen en koelkasten.** Er bestaat een verhoogd risico op een elektrische schok als uw lichaam geaard is.
- Stel elektrisch gereedschap niet bloot aan regen of natte omstandigheden.** Als er water elektrisch gereedschap binnendringt, verhoogt dit het risico van een elektrische schok.
- Behandel het netsnoer voorzichtig. Draag het elektrisch gereedschap nooit aan het snoer, trek het gereedschap nooit aan het snoer naar**

u toe, en trek de stekker nooit aan het snoer uit het stopcontact. Houd het snoer uit de buurt van warmte, olie, scherpe randen of bewegende onderdelen. Beschadigde snoeren of snoeren die in de war zijn geraakt, verhogen het risico van een elektrische schok.

- Gebruik, wanneer u elektrisch gereedschap buitenshuis gebruikt, een verlengsnoer dat geschikt is voor gebruik buitenshuis.** Het gebruik van een verlengsnoer dat geschikt is voor werken buitenshuis, vermindert het risico van een elektrische schok.
- Als het werken met elektrisch gereedschap op een vochtige locatie onvermijdelijk is, zorg er dan voor dat de stroomvoorziening beveiligd is met een aardlekschakelaar.** Het gebruik van een aardlekschakelaar vermindert het risico van een elektrische schok.

3. Persoonlijke veiligheid

- Let goed op, kijk altijd naar uw werk en gebruik uw gezond verstand wanneer u elektrisch gereedschap gebruikt. Gebruik nooit elektrisch gereedschap als u moe bent of onder invloed van drugs, alcohol of medicijnen.** Een moment van onoplettendheid tijdens het bedienen van elektrisch gereedschap kan leiden tot ernstig persoonlijk letsel.
- Draag persoonlijke beschermende kleding. Draag altijd oogbescherming.** Beschermende uitrusting, zoals een stofmasker, anti-slip veiligheidsschoenen, een helm, of gehoorbescherming, gebruikt in de juiste omstandigheden, zal het risico van persoonlijk letsel verminderen.
- Zorg ervoor dat het gereedschap niet per ongeluk kan worden gestart. Controleer dat de schakelaar in de stand Uit staat voor u het gereedschap aansluit op de stroombron en/of de accu plaatst en voor u het gereedschap oppakt en draagt.** Het dragen van elektrisch gereedschap met uw vinger op de schakelaar of het van stroom voorzien van elektrisch gereedschap waarvan de schakelaar in de stand Aan staat, kan gemakkelijk leiden tot ongelukken.
- Verwijder alle stelsleutels of moersleutels voor u het elektrisch gereedschap inschakelt.** Een steeksleutel of stelsleutel die in een ronddraaiend onderdeel van het elektrisch gereedschap is achtergebleven, kan persoonlijk letsel veroorzaken.
- Reik niet buiten uw macht. Blijf te allen tijde stevig in evenwicht en met beide voeten op de grond staan.** Dit zorgt voor betere controle van het elektrisch gereedschap in onverwachte situaties.

- f. **Draag de juiste kleding. Draag geen loszittende kleding of sieraden. Houd uw haar, kleding en handschoenen uit de buurt van bewegende onderdelen.** Loszittende kleding, sieraden of lang haar kunnen door bewegende delen worden gegrepen.
- g. **Als er in apparaten wordt voorzien voor het aansluiten van apparatuur voor stofafzuiging of het opvangen van stof, zorg er dan voor dat deze goed wordt aangesloten en gebruikt.** Het gebruik van stofafzuiging kan aan stof gerelateerde gevaren verminderen.
- h. **Denk niet dat u, doordat u het gereedschap veel hebt gebruikt, het allemaal wel weet en dat u de veiligheidsbeginselen kunt negeren.** Een onvoorzichtige actie kan in een fractie van een seconde ernstig letsel tot gevolg hebben.

4. Gebruik en verzorging van elektrisch gereedschap

- a. **Forceer het elektrisch gereedschap niet. Gebruik het juiste gereedschap voor uw toepassing.** Het juiste elektrisch gereedschap voert de werkzaamheden waarvoor het is ontworpen beter en veiliger uit.
- b. **Gebruik het gereedschap niet als u het niet met de schakelaar in en uit kunt schakelen.** Ieder gereedschap dat niet met de schakelaar kan worden bediend, is gevaarlijk en moet worden gerepareerd.
- c. **Haal de stekker uit het stopcontact en/of neem de accu, als deze uitneembaar is, uit het gereedschap voordat u aanpassingen uitvoert, accessoires verwisselt, of het elektrisch gereedschap opbergt.** Dergelijke preventieve veiligheidsmaatregelen verminderen het risico dat het elektrisch gereedschap per ongeluk wordt gestart.
- d. **Bewaar gereedschap dat niet wordt gebruikt, buiten het bereik van kinderen en laat niet toe dat personen die onbekend zijn met het elektrisch gereedschap of deze instructies het gereedschap bedienen.** Elektrisch gereedschap is gevaarlijk in de handen van ongetrainde gebruikers.
- e. **Onderhoud elektrisch gereedschap en accessoires goed. Controleer op verkeerde uitlijning en het aanlopen van bewegende onderdelen, breuk van onderdelen en andere omstandigheden die de werking van het elektrisch gereedschap nadelig kunnen beïnvloeden. Laat het gereedschap voor gebruik repareren, als het is beschadigd.** Veel ongelukken worden veroorzaakt doordat elektrisch gereedschap niet goed is onderhouden.
- f. **Houd snijgereedschap scherp en schoon.** Goed onderhouden gereedschap loopt minder snel vast en is gemakkelijker onder controle te houden.
- g. **Gebruik het elektrische gereedschap, de accessoires en gereedschapsonderdelen, enz. in overeenstemming met deze instructies, en houdt daarbij rekening met de werkomstandigheden en de uit te voeren werkzaamheden.** Gebruik van het elektrische gereedschap voor werkzaamheden die anders zijn dan het bedoelde gebruik, kunnen leiden tot een gevaarlijke situatie.
- h. **Houd de handgrepen en oppervlakken die u beet pakt, droog, schoon en vrij van olie en vet.** Gladde handgrepen en oppervlakken kunnen veilig werken en bedienen van het gereedschap in onverwachte situaties onmogelijk maken.

5. Gebruik en onderhoud van accugereedschap

- a. **Laad de accu alleen op met de lader die wordt opgegeven door de fabrikant.** Een lader die geschikt is voor het ene type accu, kan een risico van brand doen ontstaan bij gebruik met een andere accu.
- b. **Gebruik elektrisch gereedschap alleen in combinatie met specifiek vermelde accu's.** Het gebruik van andere accu's kan gevaar voor letsel en brand opleveren.
- c. **Houd accu's die niet worden gebruikt uit de buurt van andere metalen voorwerpen, zoals paperclips, munten, spijkers, schroeven of andere kleine metalen voorwerpen die een verbinding van de ene pool naar de andere tot stand kunnen brengen.** Als kortsluiting tussen de polen van de accu's wordt gemaakt, kunnen brandwonden of brand worden veroorzaakt.
- d. **Wanneer de accu niet goed wordt behandeld, kan er vloeistof uit de accu spuiten, vermijd contact met deze vloeistof. Als er per ongeluk contact ontstaat, spoel dan met water. Als de vloeistof in de ogen komt, roep dan tevens medische hulp in.** Vloeistof die uit de batterij komt, kan irritatie en brandwonden veroorzaken.
- e. **Werk niet met een accu of met gereedschap dat beschadigd is of waaraan wijzigingen zijn aangebracht.** Beschadigde of gemodificeerde accu's kunnen zich onvoorspelbaar gedragen en dat kan brand, explosie of een risico van letsel tot gevolg kan hebben.
- f. **Stel een accu of gereedschap niet bloot aan open vuur of uitzonderlijk hoge temperatuur.** Brand of een temperatuur boven de 130 °C kunnen de accu doen exploderen.
- g. **Volg alle instructies voor het opladen en laad de accu of het gereedschap niet op buiten het temperatuurbereik dat in de instructies wordt opgegeven.** Door op onjuiste wijze opladen of

opladen bij een temperatuur buiten het opgegeven bereik kan de accu beschadigd raken en het risico van brand toemenen.

6. Service

- a. Zorg dat u gereedschap wordt onderhouden door een erkende reparateur die uitsluitend identieke vervangende onderdelen gebruikt.** Dit garandeert dat de veiligheid van het gereedschap behouden blijft.
- b. Probeer nooit beschadigde accu's te repareren.**

De reparaties aan accu's mogen alleen worden uitgevoerd door de fabrikant of door geautoriseerde servicecentra.

Overige risico's

Ondanks het toepassen van de relevante veiligheidsvoorschriften en het toepassen van veiligheidsapparaten kunnen sommige overige risico's niet worden vermeden. Dit zijn:

- ♦ Gehoorbeschadiging .
- ♦ Risico op persoonlijk letsel door rondvliegende deeltjes.
- ♦ Risico van brandwonden omdat accessoires tijdens het gebruik heet worden.
- ♦ Risico van persoonlijk letsel als gevolg van langdurig gebruik.

Veiligheid van anderen

- ♦ Dit gereedschap mag niet worden gebruikt door personen (waaronder kinderen) die lichamelijk of geestelijk mindervalide zijn of die geen ervaring met of kennis van dit gereedschap hebben, tenzij ze onder toezicht staan of instructies krijgen wat betreft het gebruik van het gereedschap van een persoon die verantwoordelijk is voor hun veiligheid.
- ♦ Er moet op worden toegezien dat kinderen niet met het gereedschap kunnen spelen.

Trilling

De in de technische gegevens en de Conformiteitsverklaring aangegeven waarden voor trillingsemissie, zijn gemeten volgens een standaardtestmethode die door EN62841 wordt verstrekt. Hiermee kan het ene gereedschap met het andere worden vergeleken. De verklaarde trillingsemissiewaarde kan ook worden gebruikt voor een voorlopige beoordeling van blootstelling.



Waarschuwing! De trillingsemissiewaarde tijdens werkelijk gebruik van het elektrisch gereedschap kan verschillen van de verklaarde waarde, afhankelijk van de manieren waarop het gereedschap wordt gebruikt. De trillingswaarde kan toenemen tot boven het vermelde niveau.

Bij het beoordelen van blootstelling aan trilling ter vaststelling van de veiligheidsmaatregelen die worden vereist volgens 2002/44/EG ter bescherming van personen die in hun werk regelmatig elektrisch gereedschap gebruiken, moet een schatting van de blootstelling aan trilling de feitelijke

gebruiksomstandigheden en de manier waarop het gereedschap wordt gebruikt in overweging nemen, en ook rekening houden met alle onderdelen van de bedrijfscyclus zoals het aantal malen dat het gereedschap wordt uitgeschakeld en dat het gereedschap stationair draait, in aanvulling op de ingeschakelde tijd.

Etiketten op het gereedschap

Naast de datumcode is het gereedschap voorzien van de volgende symbolen:



Waarschuwing! Beperk het risico van letsel, de gebruiker moet de instructiehandleiding lezen.

Aanvullende veiligheidsinstructies voor accu's en laders

Accu's

- ♦ Probeer nooit de batterijen om welke reden dan ook open te maken.
- ♦ Stel de batterij niet bloot aan water.
- ♦ Bewaar deze niet op locaties met temperaturen van meer dan 40 °C.
- ♦ Laad de batterijen alleen op bij omgevingstemperaturen tussen 10 °C en 40 °C.
- ♦ Gebruik alleen de lader die bij het apparaat is geleverd.
- ♦ Gooi lege accu's weg volgens de instructies in het gedeelte "Milieu".

Laders

- ♦ Gebruik uw lader van Stanley Fatmax alleen voor de accu's in het apparaat waarbij de lader is bijgeleverd. Andere batterijen kunnen exploderen, met lichamelijk letsel en materiële schade tot gevolg.
- ♦ Niet-laadbare accu's mogen nooit worden opgeladen.
- ♦ Een defect snoer moet direct worden vervangen.
- ♦ Stel de lader niet bloot aan water.
- ♦ Open de lader niet.
- ♦ Prik nooit met een scherp voorwerp in de lader.

Elektrische veiligheid



Deze lader is dubbel geïsoleerd, zodat een aardingsaansluiting niet noodzakelijk is. Controleer altijd dat de stroomvoorziening overeenkomt met de aanduiding van de spanning op het typeplaatje.

- ♦ Als het netsnoer is beschadigd, moet dit, om gevaar te voorkomen, worden vervangen door de fabrikant of in een Stanley-servicecentrum.

Funcities

1. Perimeterbehandelingsstelsysteem
2. Aan/uit-schuifschakelaar
3. Schuimrubberen kussenbasis
4. Keuzeknop voor snelheid
5. Accu
6. Accu-ontgrendelknop

MONTAGE EN AFSTELLINGEN



Waarschuwing! Schakel, om het risico op ernstig persoonlijk letsel te verminderen, de eenheid uit en verwijder het accupack voordat u aanpassingen maakt of hulpstukken of accessoires verwijdert/installeert. Wanneer het gereedschap per ongeluk wordt ingeschakeld kan dat leiden tot letsel.

Het kussen voor het aanbrengen van de wolwas bevestigen (Afb. A, B, D)



WAARSCHUWING: Als er onderdelen ontbreken, gebruik deze poetser/polijster dan niet voordat de ontbrekende onderdelen vervangen zijn. Dit nalaten, kan dat tot ernstig persoonlijk letsel leiden.

1. Bevestig het kussen voor het aanbrengen van was (8) aan de schuimrubberen kussenbasis (3) zoals wordt weergegeven op Afb. A. Zorg er ALTIJD voor dat de elastische strip op de onderkant van het kussen stevig tegen de onderkant van het schuimrubberen kussen zit.
2. Gebruik voor pastawas een breekmes of een ander plat voorwerp, breng de pastawas aan op het kussen door een theelepel was gelijkmatig over het volledige oppervlak van het kussen voor het aanbrengen van was te smeren, zoals wordt weergegeven in Afb. B.
BELANGRIJK: Breng de was niet rechtstreeks op het voertuig aan.
3. Breng, voor vloeiende was, drie omwentelingen was aan op het kussen. Dit moet voldoende zijn om 1/4 van het oppervlak van het voertuig te bedekken, zoals wordt weergegeven op Afb. D.
4. Gebruik voor de tweede, derde en vierde laag, slechts de helft van de eerste laag. Het kussen zal voor deze lagen niet zoveel was absorberen.

Het kussen voor het Terry Cloth-polijsten bevestigen (Afb. C, D)

1. Plaats het terry-kussen (9) op een schuimrubberen kussen (3).
2. Zorg er ALTIJD voor dat de elastische strip op de onderkant van het kussen stevig tegen de onderkant van het schuimrubberen kussen zit.
3. Breng de was aan met een draaiende beweging, zoals wordt weergegeven op Afb. D.

BEDIENING



Waarschuwing! Schakel, om het risico op ernstig letsel te beperken, de eenheid uit en verwijder het accupack voordat u aanpassingen maakt of hulpstukken of accessoires verwijdert/installeert. Een onvoorzien opstart kan ernstig letsel veroorzaken.

De accu in het gereedschap plaatsen en eruit nemen

Om het accupack te plaatsen (Afb. E)

- ♦ Plaats het accupack (5) stevig in het gereedschap tot u een klik hoort, zoals wordt weergegeven op Afbeelding E. Controleer dat de accu geheel op z'n plaats zit en goed is vergrendeld.

Om de accu te verwijderen (Afb. E)

- ♦ Druk vrijgaveknop van de accu in (6) zoals wordt weergegeven op Afbeelding E en trek de accu uit het gereedschap.

Keuzeknop voor snelheid

De keuzeknop voor snelheid (4) verandert de snelheid van de polijstmachine. Draai de knop voorwaarts om de snelheid te verhogen of achterwaarts om de snelheid te verlagen. 1 is de traagste instelling en 3 is de hoogste instelling.

Juiste handpositie (Afb. F)



Waarschuwing! Beperk het risico op ernstig persoonlijk letsel, plaats **ALTIJD** uw handen in de juiste positie, zoals afgebeeld.



Waarschuwing! Houd, om het risico op persoonlijk letsel te verminderen, het gereedschap **ALTIJD** stevig vast, zodat u voorbereid bent om een plotselinge terugslag.

Voor een juiste positie van de handen, moeten beiden handen zich op de perimeterhandgreep bevinden (1).

Voertuig waxen (Afb. G)

1. Voordat u uw voertuig begint te waxen, poetsen en polijsten, moet u alle teer, vetvlekken en insectenvlekken verwijderen met een schoonmaakmiddel voor algemene doeleinden. Droog uw voertuig.
2. Breng de poetser/polijster tegen het voertuig en schakel de schoonmaker/polijster AAN door de schakelaar naar de Aan-stand te schuiven. Om het spatten van was te vermijden, moet u de poetser/polijster ALTIJD stoppen tegen het oppervlak dat gepolijst moet worden.
3. Beging te poesten met een lage snelheid en verhoog daarna de snelheid met de keuzeknop (4).
4. Breng was aan in een rechte lijn, in een zijdelingse of heen en weer beweging. Maak ALTIJD brede, gelijkmatige stroken om was aan te brengen. Was aanbrengen in een dunne, gelijkmatig laag. Te veel was biedt niet meer bescherming en zorgt er alleen voor dat de was moeilijker te verwijderen is.
5. Breng eerst was aan op de platte oppervlakken (motorkap, koffer en dak). Wax één deel tegelijkertijd.
6. Wax de zijkanten, na het waxen van de platte oppervlakken. Het is het gemakkelijkste om het volledige oppervlak te waxen, voordat de fase voor het verwijderen

wordt begonnen; volg echter de specifieke aanbevelingen van de wax of het polijstmiddel dat gebruikt wordt.

7. Wanneer u klaar bent met het aanbrengen van de was via het kussen, schakelt u de poetser/polijster UIT voordat u deze van het oppervlak van het voertuig haalt.

OPMERKING: NIET te veel was op het kussen aanbrengen. Door te veel was aan te brengen, wordt het kussen verzadigd en zal het niet lang meegaan. DIT MAAKT POLIJSTEN MOEILIJKER EN HET DUURT LANGER.

OPMERKING: Als het kussen voortdurend van het pad komt, gebruikt u mogelijk te veel was.

OPMERKING: Als poetsen moeilijk lijkt, hebt u te veel was gebruikt.

BELANGRIJK: Zet NIET te veel druk tegen het werkoppervlak met dit gereedschap. De willekeurige draaiende beweging van dit gereedschap zal beter werken wanneer er minder druk uitgeoefend wordt. Te veel druk zetten, zal de willekeurige draaiende beweging vertragen en het rendement van het gereedschap verminderen.

BELANGRIJK: Kussens voor het aanbrengen van was mogen slechts één keer gebruikt worden en moeten daarna gepast weggegooid worden.

Poetsen en polijsten

Zorg ervoor dat het kussen schoon en vrij van lossen deeltjes of vreemde voorwerpen is, die weggeslingerd kunnen worden of krassen kunnen veroorzaken

OPMERKING: U moet uiterst voorzichtig te werk gaan tijdens het polijsten met poeder rond of over scherpe voorwerpen en vormen van het koetswerk van de auto.

Het is heel belangrijk dat u de juiste druk uitoefent bij het poetsen van de diverse onderdelen van het plaatwerk van de auto. Er moet bijvoorbeeld lichte druk worden gezet bij het poetsen over de scherpe randen van de panelen van het plaatwerk of over de randen van de regengoot langs de bovenzijde.

1. Wat tot de was is gedroogd tot een gelijkmatige was op het voertuig.
2. Zet de poetser/polijster AAN.

BELANGRIJK: Zet NIET te veel druk tegen het werkoppervlak met dit gereedschap. De willekeurige draaiende beweging van dit gereedschap zal beter werken wanneer er minder druk uitgeoefend wordt. Te veel druk zetten, zal de willekeurige draaiende beweging vertragen en het rendement van het gereedschap verminderen.

OPMERKING: Maak voor de beste resultaten lange, veggende bewegingen in een kruisings patroon bij het verwijderen van was.

3. Poets en polijst het volledige oppervlak tot alle gedroogde was verwijderd is. Verwijder het kussen nu en dan en schud gedroogde waxresten uit het kussen. Een kussen met te veel resten zal strepen veroorzaken. U moet een kussen mogelijk door een nieuwe exemplaar vervangen

wanneer u het niet schoon genoeg kunt krijgen om strepen te vermijden.

OPMERKING: Door de snelle wrijvende beweging van het polijstkussen op het oppervlak van een auto, kan statische elektriciteit op de metalen delen van dit gereedschap opgebouwd worden. Dit kan leiden tot het gevoel van een zeer korte, zachte elektrische schok wanneer het metalen deel van het gereedschap aangeraakt wordt en het zal beter voelbaar zijn op dagen wanneer de vochtigheid laag is. Dit is een onschadelijk fenomeen, maar u wordt gevraagd om het gereedschap naar een servicecenter te brengen, waar het gecontroleerd kan worden om te verzekeren dat er geen elektrisch defect is.

Tips voor voertuigonderhoud

- Was en polijst het voertuig 3 tot 4 keer per jaar om te helpen om de lak te beschermen.
- Was het voertuig minstens elke 2 weken met een schoonmaakoplossing voor auto's die de afwerking niet zal beschadigen of de wax niet zal verwijderen. VERMIJD wassen met huishoudelijke schoonmaakmiddelen.
- Wassen met een schone spons en drogen met een terry-handdoek om te helpen dat vuil krassen aanbrengt op de lak. Begin bovenaan en werk naar beneden.
- Verwijder dagelijks insecten, vogeluitwerpselen, boomsap en teer van het oppervlak van het voertuig.
- Zorg er ALTIJD voor dat het oppervlak van het voertuig koel is vóór het wassen.
- Vermijd het parkeren in de buurt van sprinklers, omdat waterlekken moeilijk te verwijderen zijn.
- Houd chemische middelen voor het schoonmaken van glas ALTIJD uit de buurt van gelakte oppervlakken. Sproei het schoonmaakmiddel op een handdoek, NIET rechtstreeks op de ruiten.

Onderhoud

Uw -gereedschap is ontworpen om gedurende een lange periode te functioneren met een minimum aan onderhoud. Het continu naar tevredenheid functioneren hangt af van het juiste onderhoud van het gereedschap en regelmatige reiniging. Ander onderhoud dan een regelmatige schoonmaakbeurt vraagt u lader niet.



Waarschuwing! Haal vóór het uitvoeren van onderhoud aan het gereedschap, de accu uit het gereedschap. Trek de stekker van de lader uit het stopcontact vóór het reinigen.

- ♦ Reinig regelmatig de ventilatieopeningen van uw gereedschap en de lader met een zachte borstel of droge doek.
- ♦ Reinig de behuizing van de motor regelmatig met een vochtige doek. Gebruik geen schuurmiddelen of schoonmaakmiddelen die op een oplosmiddel zijn gebaseerd.

Bescherming van het milieu



Gescheiden afvalinzameling. Producten en accu's die zijn voorzien van dit symbool mogen niet bij het normale huishoudafval worden weggegooid.

Producten en accu's bevatten materialen die kunnen worden teruggewonnen of gerecycled, wat de vraag naar grondstoffen doet afnemen.

Recycle elektrische producten en accu's volgens de ter plaatse geldende voorschriften. Nadere informatie is beschikbaar op www.2helpU.com

Technische gegevens

SFMCE100		
Spanning	V _{DC}	18V
TPM	min ⁻¹	2200-2800
Gewicht	kg	2,17

Lader		SFMCB11	SFMCB12	SFMCB14
Ingangsspanning	V _{AC}	230	230	230
Uitgangsspanning	V _{DC}	18	18	18
Laadstroom	A	1,25	2	4

Accu		SFMCB201	SFMCB202	SFMCB204	SFMCB206
Spanning	V _{DC}	18	18	18	18
Capaciteit	Ah	1,5	2,0	4,0	6,0
Type		Li-Ion	Li-Ion	Li-Ion	Li-Ion

Geluidsrukniveau, volgens EN 62841:
Geluidsdruk (L _w) 53 dB(A), onzekerheid (K) 3 dB(A)
Geluidsdruk (L _w) 64 dB(A), onzekerheid (K) 3 dB(A)

Totale trillingswaarden (som triaxvector) volgens EN 62841:
Waarde trillingsemmissie (a _w) 7,5 m/s ² , onzekerheid (K) 1,5 m/s ²

**EC conformiteitsverklaring
Machinerichtlijn**



SFMCE100 Polijstmachine

Stanley verklaart hierbij dat de producten die worden beschreven onder "technische gegevens" voldoen aan:

2006/42/EC, EN62841-1:2015, EN62841-2-4:2014.
Deze producten voldoen tevens aan richtlijnen 2014/30/EU en 2011/65/EU

Neem voor meer informatie contact op met Stanley op het volgende adres of kijk op de achterzijde van de handleiding.

Ondergetekende is verantwoordelijk voor het samenstellen van het technische bestand en doet deze verklaring namens Stanley.

Patrick Diepenbach

Patrick Diepenbach
General Manager, Benelux
Stanley,
Egide Walschaertsstraat 14-18
2800 Mechelen, België
15.05.2022

Garantie

Stanley heeft vertrouwen in de kwaliteit van zijn producten en biedt consumenten een garantie van 24 maanden vanaf de datum van aankoop. Deze garantie is een aanvulling op uw wettelijke rechten en maakt op geen enkele wijze inbreuk daarop. De garantie is geldig binnen het grondgebied van de lidstaten van de Europese Unie, de Europese vrijhandelszone en het Verenigd Koninkrijk.

Voor een garantie-aanspraak moet uw aanspraak in overeenstemming zijn met de Stanley algemene voorwaarden en moet u een bewijs van aankoop overleggen aan de verkoper of een geautoriseerde reparatiemonteur. De algemene voorwaarden van de Stanley garantie van 2 jaar en de locatie van uw dichtstbijzijnde erkende reparatie kunnen verkregen worden op www.2helpU.com of door contact op te nemen met uw plaatselijke Stanley kantoor dat in deze handleiding wordt vermeld.

Bezoek onze website www.blackanddecker.co.uk voor het registreren van uw nieuw Stanley product en het ontvangen van updates over nieuwe producten en speciale aanbiedingen.

Uso previsto

La pulidora SFMCE100 de STANLEY FATMAX ha sido diseñada para encerar y pulir. Este aparato está pensado para usuarios profesionales y para usuarios no profesionales privados.

Instrucciones de seguridad

Advertencias de seguridad generales para herramientas eléctricas



¡Advertencia! Lea todas las advertencias de seguridad, instrucciones, ilustraciones y especificaciones suministradas con esta herramienta eléctrica. El incumplimiento de las instrucciones que se indican a continuación puede causar descargas eléctricas, incendios y/o lesiones graves.

Guarde todas las advertencias e instrucciones para poder consultarlas con posterioridad. El término "herramienta eléctrica" que aparece en las advertencias se refiere a la herramienta eléctrica que funciona a través de la red eléctrica (con cable) o a la herramienta eléctrica que funciona a batería (sin cable).

1. Seguridad en la zona de trabajo

- Mantenga su área de trabajo limpia y bien iluminada.** Las áreas desordenadas u oscuras pueden provocar accidentes.
- No utilice herramientas eléctricas en atmósferas explosivas, como ambientes donde haya polvo, gases o líquidos inflamables.** Las herramientas eléctricas originan chispas que pueden inflamar el polvo o los gases.
- Mantenga alejados a los niños y a las personas que estén cerca mientras utiliza una herramienta eléctrica.** Las distracciones pueden ocasionar una pérdida de control.

2. Seguridad eléctrica

- Los enchufes de las herramientas eléctricas deben corresponderse con la toma de corriente. No modifique nunca el enchufe de ninguna forma. No utilice ningún enchufe adaptador con herramientas eléctricas conectadas a tierra (a masa).** Los enchufes no modificados y las tomas de corriente correspondientes reducen el riesgo de descarga eléctrica.
- Evite el contacto corporal con superficies conectadas a tierra tales como tuberías, radiadores, cocinas y neveras.** Existe un mayor riesgo de descarga eléctrica si su propio cuerpo está conectado a tierra.

- No exponga las herramientas eléctricas a la lluvia ni a condiciones húmedas.** Si entra agua en una herramienta eléctrica, aumenta el riesgo de descarga eléctrica.
- No someta el cable de alimentación a presión innecesaria. No use nunca el cable para transportar, tirar de la herramienta eléctrica o desenchufarla.** Mantenga el cable alejado del calor, aceite, bordes afilados y piezas en movimiento. Los cables dañados o enredados aumentan el riesgo de descarga eléctrica.
- Cuando esté utilizando una herramienta eléctrica al aire libre, use un cable prolongador adecuado para uso en exteriores.** La utilización de un cable adecuado para el uso en exteriores reduce el riesgo de descarga eléctrica.
- Si no puede evitar utilizar una herramienta eléctrica en un lugar húmedo, use un suministro protegido con un dispositivo diferencial residual (DDR).** El uso de un dispositivo de corriente residual reduce el riesgo de descarga eléctrica.

3. Seguridad personal

- Manténgase alerta, vigile lo que está haciendo y use el sentido común cuando utilice una herramienta eléctrica. No utilice herramientas eléctricas si está cansado o bajo el efecto de drogas, alcohol o medicamentos.** Un momento de desatención cuando se manejan herramientas eléctricas puede ocasionar lesiones personales graves.
- Utilice equipo de protección personal. Utilice siempre protección ocular.** El uso del equipo de protección individual, como mascarilla antipolvo, calzado antideslizante, casco o protección auditiva para condiciones apropiadas reduce las lesiones personales.
- Evite la puesta en funcionamiento involuntaria. Asegúrese de que el interruptor esté en posición de apagado antes de conectar con la fuente de alimentación y/o la batería, de levantar o transportar la herramienta.** Transportar herramientas eléctricas con el dedo puesto en el interruptor o herramientas eléctricas activadoras con el interruptor encendido puede causar accidentes.
- Saque cualquier llave de ajuste o llave inglesa antes de encender la herramienta eléctrica.** Si se deja puesta una llave inglesa u otra llave en una pieza en movimiento de la herramienta eléctrica pueden ocasionarse lesiones personales.
- No se estire demasiado. Mantenga un equilibrio adecuado y la estabilidad constantemente.** Esto permite un mejor control de la herramienta eléctrica en situaciones inesperadas.

- f. Use la vestimenta adecuada. No se ponga ropa suelta o joyas. Mantenga el cabello y la ropa alejados de las piezas móviles. La ropa suelta, las joyas y el pelo largo pueden quedar atrapados en las piezas en movimiento.
- g. Si se suministran dispositivos para la conexión del equipo de extracción y recogida de polvo, asegúrese de que estén conectados y de que se usen adecuadamente. El uso de equipo de recogida de polvo puede reducir los riesgos relacionados con el polvo.
- h. No deje que la familiaridad adquirida con el uso frecuente de las herramientas le lleve a fiarse demasiado y a descuidar las principales normas de seguridad de la herramienta. En cuestión de segundos, un descuido puede causar lesiones graves.

4. Uso y cuidado de la herramienta eléctrica

- a. No fuerce la herramienta eléctrica. Use la herramienta eléctrica correcta para su aplicación. La herramienta eléctrica correcta funcionará mejor y con más seguridad si se utiliza a la velocidad para la que ha sido diseñada.
- b. No utilice la herramienta eléctrica si no puede encenderse y apagarse con el interruptor. Toda herramienta eléctrica que no pueda controlarse con el interruptor es peligrosa y debe ser reparada.
- c. Desconecte el enchufe de la fuente de alimentación y/o extraiga la batería de la herramienta eléctrica, si es desmontable, antes de realizar ajustes, cambiar accesorios o guardar las herramientas eléctricas. Dichas medidas de seguridad preventivas reducen el riesgo de poner en marcha accidentalmente la herramienta eléctrica.
- d. Guarde las herramientas eléctricas que no esté utilizando fuera del alcance de los niños y no permita que las utilicen las personas que no estén familiarizadas con ellas o con estas instrucciones. Las herramientas eléctricas son peligrosas en manos de personas no capacitadas.
- e. Efectúe el mantenimiento de las herramientas eléctricas y de los accesorios. Compruebe si hay desalineación o bloqueo de las piezas en movimiento, rotura de piezas y otras condiciones que puedan afectar el funcionamiento de la herramienta eléctrica. Si la herramienta eléctrica está dañada, llévela a reparar antes de utilizarla. Muchos accidentes se producen por el mantenimiento inadecuado de las herramientas eléctricas.
- f. Mantenga las herramientas de corte afiladas y limpias. Hay menos probabilidad de que las herramientas de corte con bordes afilados se bloqueen y son más fáciles de controlar.

- g. Utilice la herramienta eléctrica, los accesorios y las brocas de la herramienta, etc., conforme a estas instrucciones, teniendo en cuenta las condiciones de trabajo y el trabajo que vaya a realizar. El uso de la herramienta eléctrica para operaciones que no sean las previstas puede ocasionar una situación peligrosa.
- h. Mantenga todas las empuñaduras y superficies de agarre secas, limpias y libres de aceite y grasa. Las empuñaduras y superficies de agarre resbaladizas impiden el agarre y el control seguro de la herramienta en situaciones imprevistas.

5. Uso y cuidado de la herramienta de batería

- a. Haga las recargas exclusivamente con el cargador indicado por el fabricante. Un cargador adecuado para un tipo de batería puede causar riesgo de incendio si se utiliza con otra batería.
- b. Utilice herramientas eléctricas solamente cuando se especifique en la batería. El uso de otra batería puede ocasionar riesgo de lesiones o incendios.
- c. Cuando no se utilice la batería, manténgala alejada de objetos de metal como clips para papel, monedas, llaves, clavos, tornillos y otros pequeños objetos metálicos que pueden realizar una conexión de un terminal a otro. Puentear los terminales de la batería puede causar quemaduras o un incendio.
- d. En condiciones abusivas, podrá salir líquido de la batería, evite el contacto. Si se produce un contacto accidental, lávese con agua. Si el líquido entra en contacto con los ojos, busque atención médica de inmediato. El líquido expulsado por la batería puede causar irritaciones o quemaduras.
- e. No utilice baterías o herramientas dañadas o modificadas. Las baterías dañadas o modificadas pueden presentar un funcionamiento imprevisto y causar incendio, explosión o riesgo de lesiones.
- f. No exponga la batería o la herramienta al fuego o a temperaturas excesivas. La exposición al fuego o a una temperatura superior a 130 °C puede causar explosión.
- g. Siga todas las instrucciones de carga y no cargue la batería o la herramienta fuera del rango de temperatura indicado en las instrucciones. La carga incorrecta o a temperaturas fuera del intervalo especificado puede dañar la batería y aumentar el riesgo de incendio.

6. Servicio

- Lleve su herramienta eléctrica para que sea reparada por una persona cualificada para realizar las reparaciones y que use solo piezas de repuesto idénticas. Esto le asegurará el mantenimiento de la seguridad de la herramienta eléctrica.
- No repare nunca las baterías dañadas. El mantenimiento de las baterías debe ser realizado únicamente por el fabricante o los proveedores de servicios autorizados.

Riesgos residuales

No obstante el cumplimiento de las normas de seguridad pertinentes y del uso de dispositivos de seguridad, existen determinados riesgos residuales que no pueden evitarse.

Dichos riesgos son los siguientes:

- Deterioro auditivo.
- Riesgo de lesiones personales debido a partículas flotantes en el aire.
- Riesgo de quemaduras producidas por los accesorios que se calientan durante el funcionamiento.
- Riesgo de lesiones personales por uso prolongado.

Seguridad de otras personas

- Las personas (incluidos niños) con capacidades físicas, sensoriales o mentales disminuidas o que carezcan de experiencia y conocimientos no deben utilizar esta herramienta, salvo que hayan recibido supervisión o formación con respecto al uso de la herramienta por parte de una persona responsable de su seguridad.
- Los niños deberán permanecer vigilados para asegurarse de que no jueguen con el aparato.

Vibraciones

Los valores de emisión de vibraciones declarados en el apartado de características técnicas y en la declaración de conformidad se han calculado según un método de prueba estándar proporcionado por la norma EN62841 y pueden utilizarse para comparar una herramienta con otra. El valor declarado de emisión de las vibraciones también se puede usar en una evaluación preliminar de la exposición.



¡Advertencia! El valor de emisión de las vibraciones durante el uso de la herramienta eléctrica puede variar con respecto al valor declarado, dependiendo de las formas de usar la herramienta. El nivel de vibraciones puede superar el nivel indicado.

A la hora de evaluar la exposición a las vibraciones para determinar las medidas de seguridad exigidas por la Directiva 2002/44/CE para proteger a las personas que utilizan habitualmente herramientas electrónicas en su trabajo, para la estimación de la exposición a las vibraciones se deben tener en cuenta las condiciones reales de uso y la forma en que se utiliza la herramienta, y también se deben tener en cuenta todas las partes del ciclo operativo, como el tiempo que la

herramienta está apagada y funciona en ralentí, además del tiempo de activación.

Etiquetas en la herramienta

Junto con el código de la fecha, en la herramienta aparecen los siguientes símbolos:



¡Advertencia! Para reducir el riesgo de lesiones, el usuario debe leer el manual de instrucciones.

Instrucciones de seguridad adicionales para baterías y cargadores

Baterías

- Jamás trate de abrirla por ninguna razón.
- No exponga la batería al agua.
- No las almacene en lugares en los que la temperatura pueda superar los 40 °C.
- Realice la carga únicamente a una temperatura ambiente de entre 10 °C y 40 °C.
- Utilice únicamente el cargador suministrado con la herramienta para realizar la carga.
- Cuando vaya a desechar la batería, siga las instrucciones facilitadas en la sección "Protección del medio ambiente".

Cargadores

- Utilice el cargador de Stanley Fatmax para cargar únicamente la batería de la herramienta con la que fue suministrado. En caso de intentar cargar otras baterías, estas podrían explotar causando lesiones personales y daños.
- Nunca intente cargar baterías no recargables.
- Sustituya los cables defectuosos inmediatamente.
- No exponga el cargador al agua.
- No abra el cargador.
- No aplique ningún dispositivo para medir la resistencia del cargador.

Seguridad eléctrica



Este cargador está provisto de doble aislamiento, por lo que no requiere toma de tierra. Compruebe siempre que el voltaje suministrado corresponda al indicado en la placa de características.

- Si se daña el cable de alimentación, deberá ser sustituido por el fabricante o por un centro de asistencia técnica autorizado de Stanley, para evitar riesgos.

Características

- Sistema de empuñadura perimetral
- Interruptor deslizante de encendido/apagado
- Base de almohadilla de espuma
- Selector de velocidad
- Batería
- Botón de liberación de la batería

MONTAJE Y AJUSTES



¡Advertencia! Para disminuir el riesgo de lesiones personales graves, apague la herramienta y retire la batería antes de realizar ajustes o antes de quitar/colocar acoplamientos o accesorios. El encendido accidental puede causar lesiones.

Colocación de la caperuza del aplicador de cera de lana (Fig. A, B, D)



ADVERTENCIA: Si falta alguna pieza, NO haga funcionar esta enceradora/pulidora hasta sustituir las piezas faltantes. De no hacerlo, podrían ocurrir lesiones personales graves.

1. Coloque la caperuza del aplicador de cera (8) en la base de la almohadilla de espuma (3), como se muestra en la Fig. A. Compruebe SIEMPRE que la tira elástica de la parte inferior de la caperuza esté bien insertada en la parte inferior de la almohadilla de espuma.
2. Para la cera en pasta, con una espátula o cualquier otro objeto plano aplique la cera en pasta sobre la caperuza extendiendo uniformemente una cucharadita de cera por toda la superficie de la caperuzada del aplicador de cera, como se muestra en la Fig. B.
IMPORTANTE: No aplique la cera directamente sobre el vehículo.
3. Para la cera líquida, aplique tres chorritos de cera sobre la caperuza del aplicador. Esto debería ser suficiente para cubrir 1/4 de la superficie del vehículo, como se muestra en la Fig. D.
4. Para la segunda, tercera y cuarta aplicación, utilice solo la mitad de la cantidad que utilizó para la primera aplicación. La caperuza no absorberá mucha cera después de la primera aplicación.

Colocación de la caperuza de pulido de toalla (Fig. C, D)

1. Coloque la caperuza de toalla (9) en la almohadilla de espuma (3).
2. Compruebe SIEMPRE que la tira elástica de la parte inferior de la caperuza esté bien insertada en la parte inferior de la almohadilla de espuma.
3. Aplique la cera con un movimiento circular, como se muestra en la Fig. D.

FUNCIONAMIENTO



¡Advertencia! Para disminuir el riesgo de lesiones personales graves, apague la herramienta y retire la batería antes de realizar ajustes o antes de poner o quitar acoplamientos o accesorios. El encendido accidental puede causar lesiones.

Colocación y extracción de la batería de la herramienta

Colocación de la batería (Fig. E)

- ♦ Inserte firmemente la batería (5) en la herramienta, hasta que oiga un clic, como se muestra en la figura E. Compruebe que la batería quede bien colocada y enganchada en su posición.

Extracción de la batería (Fig. E)

- ♦ Presione el botón de liberación de la batería (6) como se muestra en la figura E y saque la batería de la herramienta.

Selector de velocidad

El selector de velocidad (4) sirve para cambiar la velocidad de la pulidora. Gire el selector hacia delante para aumentar la velocidad, o hacia atrás, para reducirla. 1 es el ajuste más bajo, y 3 es el más alto.

Posición correcta de las manos (Fig. F)



¡Advertencia! Para reducir el riesgo de lesión personal grave, tenga **SIEMPRE** las manos en la posición correcta que se muestra.



¡Advertencia! Para reducir el riesgo de lesiones graves, **SIEMPRE** sujete bien a herramienta para prevenir reacciones repentinas.

La posición adecuada de las manos es con ambas manos apoyadas en la empuñadura principal (1).

Encerado de un vehículo (Fig. G)

1. Antes de empezar a encerar, pulir y lustrar el vehículo, elimine todo el alquitrán de carretera, el exceso de manchas de grasa y las manchas de insectos con un limpiador de uso general. Seque el vehículo.
2. Coloque la enceradora/pulidora contra el vehículo y enciéndala deslizando el interruptor hacia la posición de encendido. Para evitar salpicaduras de cera, arranque y pare SIEMPRE la pulidora contra la superficie a pulir.
3. Comience a pulir a baja velocidad y luego aumente la velocidad usando el selector de velocidad (4).
4. Aplique la cera en línea recta, con un movimiento de lado a lado o de adelante hacia atrás. Al aplicar la cera, describa SIEMPRE trazos amplios y regulares. Aplique una capa fina y uniforme de cera. Aplicar demasiada cera no añade más protección, solo dificulta la eliminación de la cera.
5. Aplique primero la cera sobre las superficies planas (capó, maletero y techo). Encere una sección por vez.
6. Después de cubrir las superficies planas, encere los costados. Lo más fácil es aplicar la cera sobre toda la superficie antes de iniciar la fase de eliminación; pero siga las recomendaciones indicadas en el envase de cera o pulimento que utilice.

7. Cuando haya terminado de aplicar la cera con el aplicador, apague la pulidora antes de retirarla de la superficie del vehículo.

NOTA: NO aplique demasiada cera en la caperuza. Si aplica demasiada cera, la caperuza se saturará y no durará mucho. ESTO HACE QUE EL PULIDO SEA MÁS DIFÍCIL Y LLEVE MÁS TIEMPO.

NOTA: Si la caperuza se desprende continuamente de la almohadilla, es posible que esté utilizando demasiada cera.

NOTA: Si le resulta difícil pulir, quiere decir que ha utilizado demasiada cera.

IMPORTANTE: NO aplique una presión excesiva contra la superficie de trabajo con esta herramienta. La función de movimiento orbital aleatorio de esta herramienta funciona mejor si ejerce menos presión. Si aplica una presión excesiva, se ralentiza el movimiento orbital aleatorio y se reduce la eficacia de la herramienta.

IMPORTANTE: Las caperuzas del aplicador de cera deben usarse solamente una vez y después deben desecharse como corresponda.

Encerar y pulir

Compruebe que la caperuza esté limpia y libre de partículas sueltas u objetos extraños que puedan salir proyectados o arañar el acabado

NOTA: Preste especial atención cuando pula alrededor o sobre objetos afilados y contornos de la carrocería del coche. Es muy importante utilizar la presión adecuada cuando pula varias secciones de un cuerpo de automóvil. Por ejemplo, deberá ejercer una ligera presión cuando pula los bordes afilados de los paneles corporales, o sobre los bordes del canal de lluvia de la parte superior.

1. Espere a que la cera se seque hasta formar una capa uniforme sobre el vehículo.
2. Después encienda la enceradora/pulidora.

IMPORTANTE: NO aplique una presión excesiva contra la superficie de trabajo con esta herramienta. La función de movimiento orbital aleatorio de esta herramienta funciona mejor si ejerce menos presión. Si aplica una presión excesiva, se ralentiza el movimiento orbital aleatorio y se reduce la eficacia de la herramienta.

NOTA: Para obtener mejores resultados, describa trazos largos y cruzados para eliminar la cera.

3. Pula y abrillante toda la superficie hasta eliminar toda la cera seca. Retire la caperuza de vez en cuando y sacuda los restos de cera seca. Si la caperuza tiene un exceso de residuos causará rasguños. Puede que tenga que sustituir la caperuza con otra nueva si no consigue limpiarla suficientemente como para evitar arañazos.

NOTA: La acción de frotamiento de la caperuza de pulido sobre la superficie de un automóvil puede crear cargas estáticas en las partes metálicas de la herramienta. Esto puede causar una sensación de descarga eléctrica leve y muy breve cuando se toca la parte metálica de la herramienta, y

es más perceptible en los días de baja humedad. Se trata de un fenómeno inofensivo, pero recomendamos llevar la herramienta al centro de servicio para que la revisen, para asegurarse de que no tenga ninguna falla eléctrica.

Consejos para el cuidado de los vehículos

- Lave y pula el vehículo 3 o 4 veces al año para garantizar la protección de la pintura.
- Lave el vehículo por lo menos cada dos semanas con una solución de lavado que no dañe el acabado ni elimine la cera. EVITE el lavado con detergentes domésticos.
- Lávelo con una esponja limpia y séquelo con una toalla para evitar que la suciedad arañe la pintura. Comience por la parte superior y trabaje hacia abajo.
- Elimine diariamente los insectos, los excrementos de aves, la savia de los árboles y el alquitrán de la superficie del vehículo.
- Compruebe SIEMPRE que la superficie del vehículo esté fría antes de lavarlo.
- Evite aparcar cerca de los aspersores, porque las manchas de agua son difíciles de eliminar.
- Mantenga SIEMPRE los productos químicos del limpiacristales alejados de las superficies pintadas. Pulverice el limpiador sobre un paño, NO directamente sobre los cristales.

Mantenimiento

La herramienta ha sido diseñada para funcionar durante un largo período de tiempo con un mantenimiento mínimo. El funcionamiento satisfactorio continuo depende del buen cuidado de la herramienta y de la limpieza periódica. El cargador no requiere otro mantenimiento que una limpieza periódica.



¡Advertencia! Antes de realizar el mantenimiento de la herramienta, extraiga la batería de la herramienta. Desenchufe el cargador antes de limpiarla.

- ♦ Limpie periódicamente las ranuras de ventilación de la herramienta y el cargador con un cepillo suave o un paño seco.
- ♦ Limpie periódicamente la carcasa del motor con un paño húmedo. No utilice productos de limpieza abrasivos o a base de disolventes.

Protección del medioambiente



Recogida selectiva. Los productos y las baterías marcadas con este símbolo no se deben desechar con la basura doméstica normal.

Los productos y las baterías contienen materiales que se puedan recuperar o reciclar y reducen la demanda de materias primas.

Recicle los productos eléctricos y las baterías de conformidad con las normas locales. Puede obtener más información en www.2helpU.com

Datos técnicos

SFMCE100		
Voltaje	V_{CC}	18 V
RPM	min^{-1}	2200-2800
Peso	kg	2,17

Cargador		SFMCB11	SFMCB12	SFMCB14
Voltaje de entrada	V_{CA}	230	230	230
Voltaje de salida	V_{CC}	18	18	18
Corriente	A	1,25	2	4

Batería		SFMCB201	SFMCB202	SFMCB204	SFMCB206
Voltaje	V_{CC}	18	18	18	18
Capacidad	Ah	1,5	2,0	4,0	6,0
Tipo		iones de litio	iones de litio	iones de litio	iones de litio

Nivel de presión acústica de acuerdo con la directiva EN 62841:
Presión acústica (L_{w}) 53 dB(A), incertidumbre (K) 3 dB(A)
Potencia acústica (L_{w}) 64 dB(A), incertidumbre (K) 3 dB(A)

Valores totales de vibración (suma vectorial triaxial) de acuerdo con la directiva EN 62841:
Valor de emisión de vibraciones ($a_{h,w}$) de 7,5 m/s^2 , incertidumbre (K) de 1,5 m/s^2

**Declaración de conformidad CE
Directiva de máquinas**



Pulidora SFMCE100

Stanley declara que los productos descritos en "Datos técnicos" cumplen las siguientes normas y directivas:

2006/42/CE, EN62841-1:2015, EN62841-2-4:2014.

Estos productos también son conformes a las directivas 2014/30/UE y 2011/65/UE.

Si desea más información, póngase en contacto con Stanley en la dirección indicada a continuación o consulte la parte posterior de este manual.

El abajo firmante es el responsable de la elaboración de la documentación técnica y expide la presente declaración en nombre y representación de Stanley.

Patrick Diepenbach

Patrick Diepenbach
Director General, Benelux
Stanley,
Egide Walschaertsstraat 14-18
2800 Mechelen, Bélgica
15.05.2022

Garantía

Stanley confía en la calidad de sus productos y ofrece a los consumidores una garantía de 24 meses a partir de la fecha de compra. Esta garantía es adicional a sus derechos legales y no los menoscaba en modo alguno. La garantía es válida dentro de los territorios de los Estados Miembros de la Unión Europea, el Área de Libre Comercio Europea y el Reino Unido.

Para reclamar la garantía, la reclamación se debe presentar de conformidad con las condiciones de Stanley y se debe presentar el justificante de compra al vendedor o al agente técnico autorizado. Puede consultar las condiciones de la garantía de Stanley de 2 años de duración y la ubicación de su agente técnico autorizado más cercano en el sitio web www.2helpU.com o poniéndose en contacto con la oficina local de Stanley en la dirección que se indica en este manual.

Visite nuestro sitio web www.blackanddecker.co.uk para registrar su nuevo producto Stanley y recibir noticias sobre nuevos productos y ofertas especiales.

Utilização pretendida

A máquina de polir SFMCE100 da STANLEY foi concebida para puxar o lustre e polir. Este equipamento destina-se a utilização profissional bem como a utilizadores privados não profissionais.

Instruções de segurança

Avisos de segurança gerais relativos a ferramentas eléctricas



Atenção! Leia todos os avisos de segurança, instruções, ilustrações e especificações fornecidos com esta ferramenta eléctrica. O não cumprimento de todas as instruções indicadas abaixo pode resultar em choque eléctrico, incêndio e/ou ferimentos graves.

Guarde todos os avisos e instruções para futura referência. Em todos os avisos que se seguem, o termo “ferramenta eléctrica” refere-se à sua ferramenta alimentada pela rede eléctrica (com fio) ou por uma bateria (sem fio).

1. Segurança na área de trabalho

- Mantenha a área de trabalho limpa e bem iluminada. As áreas desorganizadas ou escuras são propensas a acidentes.
- Não utilize as ferramentas eléctricas em ambientes explosivos, como, por exemplo, na presença de líquidos, gases ou poeiras inflamáveis. As ferramentas eléctricas criam faíscas que podem inflamar estas poeiras ou vapores.
- Mantenha crianças e outras pessoas à distância quando utilizar a ferramenta eléctrica. As distrações podem levar à perda do controlo da ferramenta.

2. Segurança eléctrica

- As fichas das ferramentas eléctricas têm de ser compatíveis com a tomada de electricidade. Nunca modifique a ficha de forma alguma. Não utilize fichas adaptadoras com ferramentas eléctricas ligadas à terra. As fichas não modificadas e as tomadas compatíveis reduzem o risco de choque eléctrico.
- Evite o contacto corporal com superfícies ligadas à terra, como tubos, radiadores, fogões e frigoríficos. Se o seu corpo estiver “ligado” à terra, o risco de choque eléctrico é maior.
- Não exponha as ferramentas eléctricas à chuva ou a condições de humidade. A entrada de água numa ferramenta eléctrica aumenta o risco de choque eléctrico.
- Não aplique força excessiva sobre o cabo. Nunca o utilize para transportar, puxar ou desligar a ferramenta eléctrica. Mantenha o cabo afastado

de fontes de calor, substâncias oleosas, arestas aguçadas ou peças móveis. Os cabos danificados ou emaranhados aumentam o risco de choque eléctrico.

- Ao utilizar uma ferramenta eléctrica no exterior, use uma extensão adequada para utilização ao ar livre. A utilização de um cabo adequado para uso ao ar livre reduz o risco de choque eléctrico.
- Se não for possível evitar trabalhar com uma ferramenta eléctrica num local húmido, utilize uma fonte de alimentação protegida por um dispositivo de corrente residual (DCR). A utilização de um DCR reduz o risco de choque eléctrico.

3. Segurança pessoal

- Esteja atento, preste atenção ao que está a fazer e tenha precaução quando utilizar uma ferramenta eléctrica. Não utilize-a se estiver cansado ou sob o efeito de drogas, álcool ou medicamentos. Um momento de distração durante a utilização de ferramentas eléctricas pode causar ferimentos graves.
- Use equipamento de protecção individual. Use sempre protecção ocular. O equipamento de protecção, como, por exemplo, uma máscara anti-poeiras, sapatos de segurança antiderrapantes, um capacete de segurança ou uma protecção auditiva, usado nas condições adequadas, reduz o risco de ferimentos.
- Evite accionamentos acidentais. Verifique se o gatilho da ferramenta está na posição de desligado antes de ligá-la à fonte de alimentação e/ou à bateria, segurar ou transportar a ferramenta. Se mantiver o dedo no gatilho quando transportar ferramentas eléctricas ou se ligá-las à fonte de alimentação com o gatilho ligado, podem ocorrer acidentes.
- Retire qualquer chave de ajuste ou chave de porcas antes de ligar a ferramenta eléctrica. Uma chave de porcas ou chave de ajuste deixada numa peça móvel da ferramenta poderá resultar em ferimentos.
- Não se estique demasiado quando trabalhar com a ferramenta. Mantenha-se sempre bem posicionado e equilibrado. Desta forma, é mais fácil controlar a ferramenta eléctrica em situações inesperadas.
- Use vestuário adequado. Não use roupa larga ou jóias. Mantenha o cabelo e a roupa afastados das peças móveis. As roupas largas, as jóias ou o cabelo comprido podem ficar presos nestas peças.
- Se forem fornecidos acessórios para a ligação de máquinas de extracção e recolha de partículas, verifique se estes são ligados e utilizados cor-

rectamente. A utilização de dispositivos de extracção de partículas pode reduzir os riscos relacionados com as mesmas.

- h. Não permita que a familiaridade resultante da utilização frequente de ferramentas lhe permita ser complacente e ignorar os princípios de segurança da ferramenta.** Uma acção descuidada pode causar ferimentos graves numa fracção de segundo.

4. Utilização e cuidados a ter com a ferramenta

- a. Não utilize a ferramenta eléctrica de forma forçada. Utilize a ferramenta eléctrica correcta para a aplicação pretendida.** A ferramenta eléctrica adequada irá efectuar o trabalho de um modo mais eficiente e seguro se for utilizada de acordo com a potência para a qual foi concebida.
- b. Não utilize a ferramenta eléctrica se o respectivo gatilho não a ligar e desligar.** Qualquer ferramenta eléctrica que não possa ser controlada através do gatilho de alimentação é perigosa e tem de ser reparada.
- c. Retire a ficha da tomada de electricidade e/ou retire a bateria da ferramenta eléctrica, caso seja desmontável, antes de efectuar quaisquer ajustes, substituir acessórios ou guardar ferramentas eléctricas.** Estas medidas de segurança preventivas reduzem o risco de ligar a ferramenta eléctrica acidentalmente.
- d. Guarde as ferramentas eléctricas que não estiverem a ser utilizadas fora do alcance de crianças e não permita que o equipamento seja utilizado por pessoas não familiarizadas com o mesmo ou com estas instruções.** As ferramentas eléctricas são perigosas nas mãos de pessoas que não possuam as qualificações necessárias para manuseá-las.
- e. Faça a manutenção das ferramentas eléctricas e dos acessórios.** Verifique se as peças móveis da ferramenta eléctrica estão alinhadas e não empernam, se existem peças partidas ou danificadas ou quaisquer outras condições que possam afectar o funcionamento da mesma. Se a ferramenta eléctrica estiver danificada, só deve ser utilizada depois de ser reparada. Muitos acidentes têm como principal causa ferramentas eléctricas com uma manutenção insuficiente.
- f. Mantenha as ferramentas de corte sempre afiadas e limpas.** As ferramentas de corte sujeitas a uma manutenção adequada, com arestas de corte afiadas, emperram com menos frequência e controlam-se com maior facilidade.

- g. Utilize a ferramenta eléctrica, os acessórios e as peças, etc., de acordo com estas instruções, tendo em conta as condições de trabalho e a tarefa a ser efectuada.** A utilização da ferramenta eléctrica para fins diferentes dos previstos poderá resultar em situações perigosas.
- h. Mantenha os punhos e as pegas secos, limpos e sem óleo ou massa lubrificante.** Punhos e pegas molhadas não permitem um funcionamento e controlo seguros em situações inesperadas.

5. Utilização e cuidados a ter com a ferramenta com baterias

- a. Recarregue apenas com o carregador especificado pelo fabricante.** Um carregador adequado para um tipo de bateria pode causar um incêndio se for utilizado com outra bateria.
- b. Utilize ferramentas eléctricas apenas com baterias específicas.** A utilização de outras baterias pode dar origem a ferimentos e a incêndio.
- c. Quando uma bateria não estiver a ser utilizada, mantenha-a afastada de outros objectos metálicos como, por exemplo, cliques, moedas, chaves, pregos, parafusos ou outros pequenos objectos metálicos que possam fazer ligação de um terminal a outro.** O curto-circuito dos terminais de bateria pode causar queimaduras ou incêndio.
- d. Em condições abusivas, pode derramar líquido da bateria, devendo evitar o contacto. Se tocar acidentalmente no líquido, lave bem com água. Se o líquido entrar em contacto com os olhos, consulte um médico.** O líquido derramado da bateria pode causar irritação ou queimaduras.
- e. Não utilize uma bateria ou ferramenta que esteja danificada ou modificada.** As baterias danificadas ou modificadas podem dar origem a um comportamento imprevisível e resultar em incêndio, explosão ou ferimentos.
- f. Não exponha a bateria ou a ferramenta a fogo ou temperatura excessiva.** A exposição a fogo ou temperatura superior a 130 °C pode causar uma explosão.
- g. Siga todas as instruções de carregamento. Não carregue a bateria ou a ferramenta fora da gama especificada nas instruções.** O carregamento indevido ou a temperaturas fora da gama especificada podem causar danos na bateria e aumentar o risco de incêndio.

6. Assistência

- a. A sua ferramenta eléctrica só deve ser reparada por um técnico qualificado e só devem ser utilizadas peças sobresselentes originais.** Desta forma, é garantida a segurança da ferramenta eléctrica.

b. Nunca repare baterias danificadas. A reparação de baterias danificadas só deve ser efectuada pelo fabricante ou por fornecedores de serviços autorizados.

Riscos residuais

Apesar da aplicação dos regulamentos de segurança relevantes e da implementação de dispositivos de segurança, alguns riscos residuais não podem ser evitados. Estes riscos são os seguintes:

- ◆ Danos auditivos.
- ◆ Risco de ferimentos causados por partículas voadoras.
- ◆ Risco de queimaduras devido aos acessórios ficarem quentes durante a respectiva utilização.
- ◆ Risco de ferimentos pessoais devido a uma utilização prolongada.

Segurança de outras pessoas

- ◆ Esta ferramenta não deve ser utilizada por pessoas (incluindo crianças) que apresentem capacidades físicas, sensoriais ou mentais reduzidas ou que não possuam os conhecimentos e a experiência necessários, excepto se forem vigiadas e instruídas acerca da sua utilização por uma pessoa responsável pela sua segurança.
- ◆ As crianças devem ser vigiadas para garantir que não brincam com a ferramenta.

Vibração

Os valores de emissão de vibração declarados na secção de dados técnicos e na declaração de conformidade foram medidos de acordo com o método de teste padrão fornecido pela EN62841 e podem ser utilizados para comparar ferramentas. O valor de emissão de vibração pode ser também utilizado numa avaliação precoce à exposição.



Atenção! O valor de emissão de vibração durante a utilização da ferramenta eléctrica pode ser diferente do valor declarado, dependendo da maneira como a ferramenta é utilizada. O nível de vibração pode aumentar para um valor superior ao indicado.

Quando avaliar a exposição a vibração para determinar as medidas de segurança exigidas pela norma 2002/44/CE para proteger as pessoas que utilizam ferramentas eléctricas com frequência, deve ser efectuada uma estimativa da exposição a vibração, as condições de utilização e a maneira como a ferramenta é utilizada, tendo também em consideração todas as fases do ciclo de funcionamento, por exemplo, o número de vezes que a ferramenta é desligada e quando funciona ao ralenti, além do tempo de accionamento.

Etiquetas colocadas na ferramenta

A ferramenta apresenta os seguintes símbolos de aviso em conjunto com o código de data:



Atenção! Para reduzir o risco de ferimentos, o utilizador deve ler o manual de instruções.

Instruções de segurança adicionais para baterias e carregadores

Baterias

- ◆ Nunca tente abrir a bateria, seja qual for o motivo.
- ◆ Não exponha a bateria à água.
- ◆ Não a armazene em locais onde a temperatura possa exceder os 40 °C.
- ◆ Carregue apenas a temperaturas ambiente entre 10 °C e 40 °C.
- ◆ Carregue apenas com o carregador fornecido com a ferramenta.
- ◆ Ao eliminar a bateria, siga as instruções indicadas na secção "Protecção do ambiente".

Carregadores

- ◆ Utilize o carregador Stanley Fatmax apenas para carregar a bateria com a qual foi fornecida. Outras baterias podem rebentar, provocando ferimentos e danos.
- ◆ Nunca tente carregar baterias não recarregáveis.
- ◆ Substitua os cabos defeituosos imediatamente.
- ◆ Não exponha o carregador à água.
- ◆ Não abra o carregador.
- ◆ Não manipule o interior do carregador.

Segurança eléctrica



Este carregador tem um isolamento duplo e, por isso, não é necessário um fio de terra. Verifique sempre se a fonte de alimentação corresponde à tensão indicada na placa sinalética.

- ◆ Se o cabo de alimentação estiver danificado, terá de ser substituído pelo fabricante ou por um centro de assistência autorizado da Stanley para evitar acidentes.

Características

1. Sistema de pega do perímetro
2. Interruptor deslizante para ligar/desligar
3. Base da almofada em espuma
4. Selector de velocidade
5. Bateria
6. Patilha de libertação da bateria

MONTAGEM E AJUSTES



Atenção! Para reduzir o risco de ferimentos graves, desligue a unidade e retire a bateria antes de efectuar quaisquer ajustes ou de retirar/instalar dispositivos complementares ou acessórios. Um arranque acidental pode causar ferimentos.

Instalar a tampa de polimento de cera de lâ (Fig. A, B, D)



ATENÇÃO: Se alguma parte estiver em falta, NÃO utilize esta máquina de polir/enceradora antes de substituir as peças em falta. Se não o fizer, podem ocorrer ferimentos graves.

1. Monte a tampa de polimento de cera (8) na base da almofada em espuma (3), como indicado na Fig. A. Certifique-se SEMPRE de que a fita elástica na parte inferior da tampa está bem apertada na parte inferior da base de espuma.
2. No que respeita a cera em pasta, utilize uma espátula ou um objecto achatado, aplique cera em pasta na tampa, espalhando uma colher de chá de cera de maneira uniforme em toda a superfície da tampa de aplicação de cera, como indicado na Fig. B.

IMPORTANTE: Não aplique cera directamente no veículo.

3. No que respeita a cera líquida, aplique três rolos de cera na tampa de polimento. Isto deve ser suficiente para tapar 1/4 da superfície do veículo, como indicado na Fig. D.
4. No que respeita à segunda, terceira e quarta aplicações, utilize apenas cerca de metade da primeira aplicação. A tampa não absorve a mesma quantidade nestas aplicações.

Montar a tampa de polimento de tecido felpudo (Fig. C, D)

1. Coloque a tampa de tecido (9) na almofada em espuma (3).
2. Certifique-se SEMPRE de que a fita elástica na parte inferior da tampa está bem apertada na parte inferior da base de espuma.
3. Aplique a cera com um movimento circular, como indicado na Fig. D.

FUNCIONAMENTO



Atenção! Para reduzir o risco de ferimentos graves, desligue a unidade e retire a bateria antes de efectuar quaisquer ajustes ou de retirar/instalar dispositivos complementares ou acessórios. Um arranque accidental pode causar ferimentos.

Inserir e retirar a bateria da ferramenta

Instalar a bateria (Fig. E)

- ◆ Insira a bateria (5) com firmeza na ferramenta até ouvir um som de encaixe, como indicado na Fig. E. Certifique-se de que a bateria está totalmente encaixada na respectiva posição.

Retirar a bateria (Fig. E)

- ◆ Carregue na patilha de libertação da bateria (6), como indicado na Fig. E e retire a bateria da ferramenta.

Selector de velocidade

O selector de velocidade (4) altera a velocidade da máquina de polir. Rode o selector para a frente para aumentar a velocidade ou para trás para reduzir a velocidade. 1 é a definição mais baixa e 3 é a definição mais elevada.

Posição correcta das mãos (Fig. F)



Atenção! Para reduzir o risco de lesões pessoais graves, utilize, SEMPRE as suas mãos na posição correcta, tal como exemplificado na figura.



Atenção! Para reduzir o risco de lesões pessoais graves, segure SEMPRE a ferramenta com firmeza para antecipar uma reacção súbita.

A posição correcta das mãos requer a colocação de uma mão na pega principal (1).

Encerar o veículo (Fig. G)

1. Antes de começar a encerar, puxar o lustro e polir o veículo, retire o alcatrão para estradas, as manchas de gordura e os insectos mortos com um produto de limpeza "lava tudo". Seque o veículo.
2. Encoste a enceradora/máquina de polir no veículo e deslize o interruptor da enceradora/máquina de polir para a posição Ligar. Para evitar salpicos de cera, inicie e pare SEMPRE a enceradora/máquina de polir contra a superfície que pretende polir.
3. Antes de encerar a uma velocidade reduzida e, em seguida, aumente a velocidade com o selector de velocidade (4).
4. Aplique cera em linha recta com um movimento lateral ou de trás para a frente. Faça SEMPRE movimentos amplos e uniformes quando aplicar a cera. Aplique cera numa camada fina e uniforme. Demasiada cera não confere mais protecção e apenas dificulta a eliminação de cera.
5. Primeiro, aplique cera nas superfícies planas (capô, porta bagagens e tecto). Encere uma parte de cada vez.
6. Depois de cobrir as superfícies planas, encere as partes laterais. É mais fácil aplicar cera em toda a superfícies antes de iniciar a fase de remoção; no entanto, deve seguir as recomendações específicas da cera ou polimento que utilizar.
7. Quando terminar a aplicação de cera com a tampa de polimento, DESLIGUE a enceradora/máquina de polir antes de retirá-la da superfície do veículo.

NOTA: NÃO aplique demasiada cera no capô. A aplicação de demasiada cera pode fazer com que o capô fique saturado e não dure muito tempo. ISTO TORNA O POLIMENTO MAIS DIFÍCIL E MAIS DEMORADO.

NOTA: Se a tampa sair constantemente da almofada, é provável que esteja a utilizar demasiada cera.

NOTA: Se tiver dificuldade em polir, isso significa que está a utilizar demasiada cera.

IMPORTANTE: NÃO aplique demasiada pressão contra a superfície de trabalho com esta ferramenta. A função de movimento orbital aleatório nesta ferramenta funciona melhor se aplicar menos pressão. A aplicação de uma pressão excessiva reduz o movimento orbital aleatório e a eficiência da ferramenta.

IMPORTANTE: As tampas de aplicação de cera apenas devem ser utilizadas uma vez e depois eliminadas de maneira adequada.

Encerar e polir

Certifique-se de que a tampa está limpa e não apresenta partículas soltas ou objectos estranhos que possam ser projectados ou riscarem o acabamento

NOTA: Tenha muito cuidado quando efectuar o polimento em torno ou sobre objectos e contornos afiados da carroçaria do automóvel. É muito importante utilizar a pressão correcta quando polir diversas partes de um automóvel. Por exemplo, deve ser aplicada uma pressão ligeira quando polir sobre arestas afiadas dos painéis ou sobre extremidades de algarozes ao longo da parte superior.

1. Aguarde até a cera secar até surgir uma bruma uniforme no veículo.
2. Ligue a enceradora/máquina de polir.

IMPORTANTE: NÃO aplique demasiada pressão contra a superfície de trabalho com esta ferramenta. A função de movimento orbital aleatório nesta ferramenta funciona melhor se aplicar menos pressão. A aplicação de uma pressão excessiva reduz o movimento orbital aleatório e a eficiência da ferramenta.

NOTA: Para obter os melhores resultados, faça movimentos amplos e corridos num padrão cruzado quando retirar a cera.

3. Encere e faça o polimento em toda a superfície até toda a cera ser removida. Retire a tampa com regularidade e sacuda os resíduos de cera seca. Se a tampa tiver demasiados resíduos, a superfície pode ficar riscada. Pode ser necessário substituir a tampa por uma nova se não ficar limpa ao ponto de evitar riscos.

NOTA: A acção de polimento a alta velocidade da tampa de polimento na superfície de um automóvel pode acumular electricidade estática nas partes metálicas desta ferramenta. Isto pode resultar numa sensação de choque eléctrico muito ténue quando tocar na parte metálica da ferramenta e é mais presente nos dias em que o grau de humidade for reduzido. Isto é inofensivo, mas é aconselhável levar a ferramenta para um centro de assistência da , onde pode ser verificado para garantir que não existe qualquer avaria eléctrica.

Sugestões relacionadas com cuidados no veículo

- Lave e faça o polimento do veículo 3 ou 4 vezes por ano para ajudar a garantir a protecção da tinta.
- Lave o veículo pelo menos 2 vezes por semana com uma solução de lavagem para veículos que não danifique o acabamento ou descame a cera. EVITE lavar com detergentes domésticos.
- Lave com uma esponja limpa e seque com uma toalha de tecido felpudo para evitar que a sujidade risque a tinta. Comece por cima e continue até abaixo.

- Retire insectos, excrementos de pássaros, seiva de árvores e alcatrão da superfície do veículo diariamente.
- Certifique-se SEMPRE de que a superfície do veículo está fria antes de lavá-la.
- Evite estacionar perto de aspersores, porque as manchas de água são difíceis de remover.
- Mantenha SEMPRE os produtos químicos de limpeza de vidros afastados de superfícies pintadas. Aplique o produto de limpeza numa toalha, NÃO directamente nos vidros.

Manutenção

A ferramenta foi concebida para funcionar durante um longo período de tempo com uma manutenção mínima. Uma utilização continuamente satisfatória depende de uma manutenção adequada da ferramenta e de uma limpeza frequente.

O carregador não requer manutenção, além do processo de limpeza normal.



Atenção! Antes de efectuar qualquer tarefa de manutenção da ferramenta, retire a bateria. Desligue o carregador antes de limpá-lo.

- ◆ Limpe com frequência as aberturas de ventilação da ferramenta e o carregador com uma escova macia ou um pano seco.
- ◆ Limpe regularmente o compartimento do motor com um pano húmido. Não utilize produtos de limpeza abrasivos ou à base de solventes.

Proteger o meio ambiente



Faça uma recolha de lixo selectiva. Os produtos e baterias assinalados com este símbolo não devem ser eliminados em conjunto com resíduos domésticos normais.

Os produtos e baterias contêm materiais que podem ser recuperados ou reciclados, reduzindo a necessidade de matérias-primas.

Recicle os produtos eléctricos e as baterias de acordo com as disposições locais. Estão disponíveis mais informações em www.2helpU.com

Dados técnicos

SFMCCE100		
Tensão	V_{CC}	18 V
RPM	min^{-1}	2200 - 2800
Peso	kg	2,17

Carregador		SFMCB11	SFMCB12	SFMCB14
Tensão de entrada	V_{CA}	230	230	230

Carregador		SFMCB11	SFMCB12	SFMCB14
Tensão de saída	V _{CC}	18	18	18
Corrente	A	1,25	2	4

Bateria		SFMCB201	SFMCB202	SFMCB204	SFMCB206
Tensão	V _{CC}	18	18	18	18
Capacidade	Ah	1,5	2,0	4,0	6,0
Tipo		lões de lítio	lões de lítio	lões de lítio	lões de lítio

Nível de pressão sonora de acordo com EN 62841:
Pressão sonora (L _p): 53 dB(A), variabilidade (K): 3 dB(A)
Potência sonora (L _w): 64 dB(A), variabilidade (K): 3 dB(A)

Valores totais de vibração (valores totais de vibração) de acordo com EN 62841:
Valor de emissão de vibrações (a _{nw}): 7,5 m/s ² , variabilidade (K): 1,5 m/s ²

**DECLARAÇÃO DE CONFORMIDADE da CE
Directiva “Máquinas”**



Máquina de polir SFMCE100

A Stanley declara que os produtos descritos em “dados técnicos” estão em conformidade com as seguintes normas:
2006/42/CE, EN62841-1:2015, EN62841-2-4:2014.

Estes produtos estão também em conformidade com as directivas 2014/30/UE e 2011/65/UE

Para obter mais informações, contacte a Stanley através da morada indicada a seguir ou consulte o verso do manual.

O abaixo-assinado é responsável pela compilação do ficheiro técnico, fazendo esta declaração em nome da Stanley.

Patrick Diepenbach

Patrick Diepenbach
Director-Geral, Benelux
Stanley,
Egide Walschaertsstraat 14-18
2800 Mechelen, Bélgica
15.05.2022

Garantia

A Stanley confia na qualidade dos seus produtos e oferece aos clientes uma garantia de 24 meses a partir da data de compra. Esta garantia é um complemento dos seus direitos estabelecidos por lei e não os afecta de forma alguma. A garantia é válida nos territórios dos Estados-membros da União Europeia, da Zona Europeia de Comércio Livre e no Reino Unido.

Para accionar a garantia, esta deve estar em conformidade com os termos e condições da Stanley e terá de apresentar comprovativos de compra ao vendedor ou a um técnico de reparação autorizado. Os termos e condições da garantia de 2 anos da Stanley e a localização do técnico de reparação autorizado mais próximo podem ser obtidos na Internet em www.2helpU.com ou contactando uma filial local da Stanley através da morada indicada neste manual.

Visite o nosso Website www.blackanddecker.co.uk para registar o novo produto da Stanley e manter-se actualizado relativamente a novos produtos e ofertas especiais.

Avsedd användning

Din STANLEY FATMAX SFMCE100 polermaskin har konstruerats för polering och slipning. Apparaten är avsedd för såväl yrkesanvändare som privatkonsumenter.

Säkerhetsinstruktioner

Allmänna säkerhetsvarningar för elverktyg



Varning! Läs alla säkerhetsvarningar, instruktioner, illustrationer och specifikationer som levereras med detta elverktyg. Underlåtenhet att läsa alla instruktioner som listas här nedan kan resultera i elektrisk stöt, eldsvåda och/eller allvarlig personskada.

Spara alla varningar och instruktioner för framtida referens. Termen "elverktyg" i varningarna syftar på ditt eldrivna (sladdanslutna) elverktyg eller batteridrivna (sladdlösa) elverktyg.

1. Säkerhet vid arbetsområdet

- Håll arbetsområdet rent och ordentligt upplyst. Belamrade eller mörka områden inbjuder till olyckor.
- Arbeta inte med elverktyg i explosiv atmosfär, såsom i närheten av brännbara vätskor, gaser eller damm. Elektriska verktyg ge upphov till gnistor som kan antända dammet eller ångorna.
- Håll barn och åskådare borta medan du arbetar med ett elverktyg. Distraktioner kan göra att du förlorar kontrollen.

2. Elektrisk säkerhet

- Kontakterna till elverktyget måste matcha uttaget. Modifiera aldrig kontakten på något sätt. Använd inte några adapterkontakter med jordanslutna (jordade) elektriska verktyg. Omodifierade kontakter och matchande uttag minskar risken för elektrisk stöt.
- Undvik kroppskontakt med jordanslutna eller jordade ytor såsom rör, värmeelement, spisar och kylskåp. Det finns en ökad risk för elektrisk stöt om din kropp är jordanslutna eller jordad.
- Utsätt inte elektriska verktyg för regn eller våta förhållanden. Vatten som kommer in i ett elverktyg ökar risken för elektrisk stöt.
- Misshandla inte sladden. Använd aldrig sladden till att bära, dra eller koppla bort elverktyget från eluttaget. Håll sladden borta från värme, olja, vassa kanter och rörliga delar. Skadade eller tilltrasslade sladdar ökar risken för elektrisk stöt.
- När du arbetar med ett elverktyg utomhus, använd en förlängningssladd som passar för utomhusanvändning. Användning av en sladd som passar för utomhusanvändning minskar risken för elektrisk stöt.

- Om arbete med ett elverktyg i en fuktig lokal är oundvikligt, använd ett uttag som är skyddat med jordfelsbrytare (RCD). Användning av en RCD minskar risken för elektrisk stöt.

3. Personlig säkerhet

- Var uppmärksam, titta på vad du gör och använd sunt förnuft när elverktyg används. Använd inte elverktyg när du är trött eller påverkad droger, alkohol eller medicin. Ett ögonblicks ouppmärksamhet när du arbetar med elektriska verktyg kan resultera i allvarlig personskada.
- Använd personlig skyddsutrustning. Använd alltid skyddsglasögon. Skyddsutrustning såsom dammfilterskydd, halksäkra säkerhetsskor, skyddshjälm eller hörselskydd som används för lämpliga förhållanden minskar personskador.
- Förebygg oavsiktlig start. Se till att strömbrytaren är i frånläge innan du ansluter till strömkällan och/eller batteriet, lyfter upp eller bär verktyget. Att bära elektriska verktyg med ditt finger på strömbrytaren eller att strömsätta elektriska verktyg som har strömbrytaren på är att invitera olyckor.
- Avlägsna eventuell justeringsnyckel eller skiftnyckel innan du sätter på elverktyget. En skiftnyckel eller en nyckel som sitter kvar på en roterande del av elverktyget kan resultera i personskada.
- Sträck dig inte för långt. Ha ordentligt fotfäste och balans hela tiden. Detta möjliggör bättre kontroll av elverktyget i oväntade situationer.
- Klä dig på lämpligt sätt. Bär inte lösa kläder eller smycken. Håll hår och kläder borta från delar i rörelse. Lösa kläder, smycken eller långt hår kan fastna i rörliga delar.
- Om det finns anordningar för anslutning av apparater för dammsugning och uppsamling, se till att dessa är anslutna och används på ett korrekt sätt. Användning av dammuppsamling kan minska dammrelaterade faror.
- Bli inte värdslös och ignorera inte säkerhetsprinciperna trots att du är van att använda verktyg. Värdslost handlande kan leda till allvarlig kroppsskada på en bråkdel av en sekund.

4. Användning och skötsel av elverktyg

- Tvinga inte elverktyget. Använd rätt elverktyg för ditt arbete. Rätt elverktyg gör arbetet bättre och säkrare vid den hastighet för vilket det konstruerades.
- Använd inte elverktyget om strömbrytaren inte kan slås på eller stängas av. Ett elverktyg som inte kan kontrolleras med strömbrytaren är farligt och måste repareras.

- c. Dra ur kontakten från strömkällan och/eller ta bort batteriet från elverktyget innan du gör några justeringar, byter tillbehör eller lägger undan elverktygen för förvaring. Sådana förebyggande säkerhetsåtgärder minskar risken att oavsiktligt starta elverktyget.
- d. Förvara elektriska verktyg som inte används utom räckhåll för barn, och låt inte personer som är obekanta med elverktyget eller med dessa instruktioner använda elverktyget. Elektriska verktyg är farliga i händerna på utbildade användare.
- e. Underhåll elverktyg och tillbehör. Kontrollera för feljustering eller om rörliga delar har fastnat, bristning hos delar och andra eventuella förhållanden som kan komma att påverka elverktygets funktion. Om det är skadat, se till att elverktyget blir reparerat före användning. Många olyckor orsakas av dåligt underhållna elektriska verktyg.
- f. Håll kapningsverktyg vassa och rena. Ordentligt underhållna kapningsverktyg med vassa sågkanter är mindre sannolika att fastna och är lättare att kontrollera.
- g. Använd elverktyget, tillbehören och verktygssatsarna, etc. i enlighet med dessa instruktioner, och ta hänsyn till arbetsförhållandena och det arbete som ska utföras. Användningen av elverktyget för andra verksamheter än de som det är avsett för skulle kunna resultera i en farlig situation.
- h. Se till att handtagen och greppytorna är torra och fria från olja och fett. Hala handtag och greppytor förhindrar säker hantering och kontroll av verktyget i oväntade situationer.

5. Användning och skötsel av batteridrivet verktyg

- a. Ladda endast med den laddare som rekommenderas av tillverkaren. En laddare som passar en batterityp kan medföra brandrisk om den används ihop med ett annat batteri.
- b. Använd elverktyget endast med batterier som är speciellt avsedda för ändamålet. Användning av andra batterier kan leda till personskador eller eldsvåda.
- c. När batteriet inte används ska du hålla det åtskilt från metallföremål som gem, mynt, nycklar, spik, skruvar och andra små metallföremål som kan orsaka kortslutning mellan batteriets poler. Kortslutning av batteripolerna kan leda till brännskador eller eldsvåda.
- d. Under olämpliga förhållanden kan vätska spruta ut från batteriet. Undvik kontakt. Vid oavsiktlig kontakt, spola med vatten. Om vätskan kommer i kontakt med ögonen, sök också läkarhjälp. Vätska som sprutar ur batteriet kan orsaka sveda och brännskador.

- e. Använd inte ett batteri eller ett verktyg som är defekt eller modifierat. Defekta eller modifierade batterier kan fungera oförutsägbart och ge upphov till brand, explosion eller risk för kroppsskador.
- f. Utsätt inte batteriet eller verktyget för eld eller höga temperaturer. Utsättande för eld eller temperaturer över 130 °C kan orsaka en explosion.
- g. Följ alla instruktioner gällande laddningen och ladda inte batteriet eller verktyget utanför det temperaturintervall som anges i bruksanvisningen. Att ladda på fel sätt eller utanför det angivna temperaturintervallet kan skada batteriet och öka brandrisken.

6. Service

- a. Se till att ditt elverktyg får service av en kvalificerad reparatör, som endast använder identiska ersättningsdelar. Detta säkerställer att elverktygets säkerhet bibehålls.
- b. Utför aldrig service på skadade batterier. Service av batteri bör endast genomföras av tillverkaren eller auktoriserade tjänsteleverantörer.

Återstående risker

Trots tillämpning av de relevanta säkerhetsbestämmelserna och användning av säkerhetsapparater kan vissa återstående risker inte undvikas. De är:

- ♦ Hörselnedsättning.
- ♦ Risk för personskada på grund av flygande partiklar.
- ♦ Risk för brännskador på grund av att tillbehör blir heta under arbetet.
- ♦ Risk för personskada på grund av långvarig användning.

Säkerhet för andra

- ♦ Verktyget ska inte användas av personer (inklusive barn) med nedsatt fysisk eller mental förmåga eller bristande erfarenhet och kunskap om de inte får vägledning och övervakas av en person som ansvarar för deras säkerhet.
- ♦ Barn bör övervakas för att säkerställa att de inte leker med apparaten.

Vibrationer

De vibrationsvärden som anges i avsnitten Tekniska data och deklarationen om överensstämmelse har uppmätts i enlighet med en standardtestmetod föreskriven i EN62841 och kan användas för jämförelse med andra verktyg. De deklarerade vibrationsvärdena kan också användas för en preliminär bedömning av exponering.



Varning! Vibrationsvärdet under faktisk användning av elverktyget kan skilja sig från det deklarerade värdet, beroende på hur verktyget används. Vibrationsnivån kan överstiga den angivna nivån.

Vid bedömningen av vibrationsexponering för att fastställa de säkerhetsåtgärder som enligt 2002/44/EG krävs för att skydda personer som regelbundet använder elverktyg i arbetet,

bör man beakta de faktiska användningsförhållandena, hur verktyget används och förutom den tid det är aktiverat, också beakta den tid som verktyget är avstängt och går på tomgång.

Etiketter på verktyget

Följande varningssymboler finns på verktyget, tillsammans med datumkoden:



Varning! För att minska risken för personskada, måste användaren läsa bruksanvisningen.

Ytterligare säkerhetsinstruktioner för batterier och laddare

Batterier

- Försök aldrig öppna batteriet.
- Utsätt inte batteriet för vatten.
- Förvara inte apparaten på platser där temperaturen kan bli högre än 40 °C.
- Ladda endast vid temperaturer mellan 10 °C och 40 °C.
- Ladda endast med hjälp av laddare som medföljer verktyget.
- Följ instruktionerna som anges i avsnittet "Miljö" när du kastar batterierna.

Laddare

- Använd endast din Stanley Fatmax-laddare för att ladda batteriet i det verktyg som laddaren levererades med. Andra batterier kan spricka och orsaka personskador och andra skador.
- Försök aldrig att ladda ej uppladdningsbara batterier.
- Byt defekta sladdar omgående.
- Utsätt inte laddaren för vatten.
- Öppna inte laddaren.
- Gör ingen åverkan på laddaren.

Elektrisk säkerhet



Den här laddaren är dubbelisolerad och behöver därför ingen jordledare. Kontrollera alltid att spänningen på nätet motsvarar den spänning som finns angiven på märkplåten.

- Om nätsladden är skadad måste den bytas ut av tillverkaren eller en auktoriserad Stanley-verkstad för att farliga situationer ska undvikas.

Egenskaper

1. Perimeterhanteringssystem
2. På/av-skjutreglage
3. Bas med skumplatta
4. Hastighetsväljare
5. Batteri
6. Batterilåsknapp

MONTERING OCH JUSTERING



Varning! För att minska risken för allvarig personskada, stäng av enheten och ta bort

batteripaketet innan du gör några justeringar eller tar bort/installerar tillsatser eller tillbehör. En oavsiktlig start kan orsaka personskada.

Montering av hätta för applicering av ullvax (Bild A, B, D)



VARNING: Om några delar saknas får denna buffert/polermaskin INTE användas förrän de saknade delarna har bytts ut. Följs inte ovanstående rekommendationer kan det leda till möjligt allvariga personskador.

1. Fäst hättan för applicering av ullvax (8) på basem med skumplatta (3) enligt Bild A. Kontrollera ALLTID att den elastiska remsan på hättans undersida är ordentligt instoppad på undersidan av skumplattan.
2. För pastavax används en spackelkniv eller något annat platt föremål för applicering av pastavax på hättan genom att sprida en tesked vax jämnt över hela ytan av vaxapplicatorns hätta som visas på Bild B.
VIKTIGT: Applicera inte vax direkt på fordonet.
3. För flytande vax, applicera tre virvlar av vax på applikatorhättan. Detta bör vara tillräckligt för att täcka 1/4 av fordonets yta enligt Bild D.
4. Vid den andra, tredje och fjärde appliceringen ska bara ungefär hälften så mycket som vid den första appliceringen användas. Hättan kommer inte att absorbera så mycket vax vid dessa appliceringar.

Montering av polerhätta av frottéduk (Bild C, D)

1. Placera frottéhättan (9) på skumplattan (3).
2. Kontrollera ALLTID att den elastiska remsan på hättans undersida är ordentligt instoppad på undersidan av skumplattan.
3. Applicera vax i en cirkulär rörelse enligt Bild D.

DRIFT



Varning! För att minska risken för allvarig personskada, stäng av enheten och ta bort batteripaketet innan du gör några justeringar eller tar bort/installerar tillsatser eller tillbehör. En oavsiktlig uppstart kan orsaka personskada.

Montering och borttagning av batteripaketet från verktyget

Installera batteripaket (Bild E)

- Sätt i batteripaketet(5) ordentligt i verktyget tills ett hörbart klick hörs såsom visas på Bild E. Se till att batteripaketet sitter helt på plats och är låst i positionen.

Ta bort batteripaketet (Bild E)

- Tryck på batterilåsknappen (6) såsom visas i Bild E och dra ut batteripaketet från verktyget.

Hastighetsväljare

Hastighetsväljaren (4) ändrar hastigheten på polermaskinen. Vrid ratten framåt för att öka hastigheten eller bakåt för att minska hastigheten. 1 är den lägsta inställningen och 3 är den högsta inställningen.

Korrekt handplacering (Bild F)



Varning! För att minska risken för allvarlig personskada, använd **ALLTID** korrekt handplacering såsom visas.



Varning! För att minska risken för allvarlig personskada, **HÅLL ALLTID** verktyget säkert, för att förekomma en plötslig reaktion.

Korrekt handplacering kräver båda händerna på huvudhandtaget (1).

Vaxning av fordon (Bild G)

1. Innan du börjar vaxa, polera och polera bilen ska du ta bort all vägtjära, överflödiga fettfläckar och insektsfläckar med ett universalrengöringsmedel. Torka ditt fordon.
2. Placera slip-/polermaskinen mot fordonet och starta maskinen genom att skjuta kontakten till läget On (på). För att undvika stänk av vax ska du ALLTID starta och stoppa slip-/polermaskinen mot den yta som ska poleras.
3. Börja polera med låg hastighet och hög sedan hastigheten med hjälp av hastighetsväljaren (4).
4. Applicera vaxet i en rak linje med en rörelse antingen från sida till sida eller fram och tillbaka. Använd ALLTID breda, jämna drag vid appliceringen av vaxet. Applicera vax i ett tunt, jämnt lager. För mycket vax ger inget mer skydd och gör det bara svårare att ta bort vaxet.
5. Applicera vaxet först på de plana ytorna (huvnen, bagageluckan och taket). Vaxa bara en sektion i taget.
6. När de plana ytorna är täckta vaxas sidorna. Det är lättast att applicera vaxet på hela ytan innan avlägsningsfasen inleds, men följ de specifika rekommendationerna för det vax eller polish som används.
7. När du är klar med att applicera vaxet med applikatorhättan, STÅNG av slip-/polermaskinen innan du tar bort den från fordonets yta.

NOTERA: Applicera INTE för mycket vax på hättan. Om för mycket vax appliceras blir hättan mättad och håller inte lika länge. **DETTA GÖR POLERINGEN SVÅRARE OCH TAR LÅNGRE TID.**

NOTERA: Om hättan hela tiden lossnar från plattan kanske du använder för mycket vax.

NOTERA: Om poleringen upplevs svår kan du ha använt för mycket vax.

VIKTIGT: Utöva INTE överdrivet tryck mot arbetsytan med det här verktyget. Den slumpmässiga orbitala rörelsen på det här verktyget fungerar bättre när mindre tryck appliceras. Om för stort tryck utövas kommer den slumpmässiga orbitala rörelsen att bli långsammare och verktyget blir mindre effektivt.

VIKTIGT: Vaxapplikatorns hätta ska bara användas en gång och sedan kasseras på lämpligt sätt.

Slipning och polering

Se till att hättan är ren och fri från lösa partiklar eller främmande föremål som kan kastas eller repa ytan

NOTERA: Var ytterst försiktig när du polerar runt eller över vassa föremål och konturer på fordonskarossen.

Det är mycket viktigt att använda rätt tryck när man polerar olika delar av en bilkaross. Lätt tryck bör exempelvis appliceras när kantiga delar av karosseriet poleras eller på avrinningslisternas kanter längst upp.

1. Vänta tills vaxet har torkat till en jämn hinna på fordonet.
2. Starta slip-/polermaskinen.

VIKTIGT: Utöva INTE överdrivet tryck mot arbetsytan med det här verktyget. Den slumpmässiga orbitala rörelsen på det här verktyget fungerar bättre när mindre tryck appliceras. Om för stort tryck utövas kommer den slumpmässiga orbitala rörelsen att bli långsammare och verktyget blir mindre effektivt.

NOTERA: För bästa resultat, använd långa, svepande rörelser i ett kors och tvärs-mönster när vaxet avlägsnas.

3. Polera hela ytan tills allt torkat vax är borta. Ta av hättan då och då och skaka ut de torkade vaxresterna. En hätta med överskottsrester orsakar streck. Du kan behöva byta ut hättan mot en ny om du inte kan få den tillräckligt ren för att undvika streck.

NOTERA: Om polerhättan gnids mot arbetsytan i hög hastighet kan detta skapa en statisk laddning på verktygets metalldelar. Detta kan resultera i en känsla av en mycket kort mild elektrisk stöt när verktygets metalldel berörs, och är mer märkbart under dagar med låg luftfuktighet. Detta är ett ofarligt fenomen men du rekommenderas att ta verktyget till en serviceverkstad där det kan kontrolleras så att inget elektriskt fel förekommer.

Tips för fordonsvård

- Tvätta och polera fordonet 3-4 gånger per år för att skydda lacken.
- Tvätta fordonet minst varannan vecka med en tvättlösning som inte skadar finishen eller avlägsnar vaxet. UNDVIK att tvätta med hushållsrengöringsmedel.
- Tvätta med en ren svamp och torka med en frottéhandduk för att förhindra att smuts repar lacken. Börja längst upp och arbeta nedåt.
- Ta bort insekter, fågelspillning, trädsav och tjära från fordonets yta dagligen.
- Kontrollera ALLTID att fordonets yta är kall innan den tvättas.
- Undvik att parkera i närheten av vattenspridare, eftersom vattenfläckar är svåra att ta bort.
- Håll ALLTID glasrengöringskemikalier borta från lackerade ytor. Spraya rengöringsmedlet på en handduk, INTE direkt på fönstren.

Underhåll

Detta verktyg har tillverkats för att fungera under lång tid med ett minimum av underhåll. Kontinuerlig tillfredsställande drift beror på ordentlig skötsel av verktyg och regelbunden rengöring.

Din laddare kräver ingen annan service än regelbunden rengöring.



Varning! Koppla loss laddaren innan du utför något underhåll på eller rengör verktyget. Laddaren får inte vara ansluten till elnätet när man rengör den.

- Rengör regelbundet verktygets luftintag och laddaren med en mjuk borste eller torr trasa.
- Rengör motorkåpan regelbundet med en fuktig trasa. Använd inga slipande eller lösningsmedelhaltiga rengöringsmedel.

Att skydda miljön



Separat insamling. Produkter och batterier som är markerade med denna symbol får inte kastas in de vanliga hushållssoptorna.

Produkterna och batterierna innehåller material som kan återvinnas eller återanvändas, vilket sänker behovet av råmaterial.

Återvinn elektriska produkter och batterier enligt lokala bestämmelser. Närmare information finns tillgänglig på www.2helpU.com

Tekniska specifikationer

SFMCE100		
Spänning	V_{AC}	18 V
Varv/min	min^{-1}	2200-2800
Vikt	kg	2,17

Laddare		SFMCB11	SFMCB12	SFMCB14
Inspänning	V_{AC}	230	230	230
Utspänning	V_{DC}	18	18	18
Strömstyrka	A	1,25	2	4

Batteri		SFMCB201	SFMCB202	SFMCB204	SFMCB206
Spänning	V_{DC}	18	18	18	18
Kapacitet	Ah	1,5	2,0	4,0	6,0
Typ		Litiumjon	Litiumjon	Litiumjon	Litiumjon

Ljudtrycksnivå enligt EN 62841:
Ljudtryck (L_p) 53 dB(A), osäkerhet (K) 3 dB(A)
Ljudeffekt (L_{wa}) 64 dB(A), osäkerhet (K) 3 dB(A)

Totala vibrationsvärden (vektorsumman av tre axlar) enligt EN 62841:

Vibrationsvärde ($a_{h,r}$) 7,5 m/s^2 , osäkerhet (K) 1,5 m/s^2

EG-försäkran om överensstämmelse Maskindirektiv



SFMCE100 Polermaskin

Stanley garanterar att produkterna som beskrivs under "tekniska data" uppfyller:

2006/42/EC, EN62841-1:2015, EN62841-2-4:2014.

Dessa produkter uppfyller också direktiv 2014/30/EU och 2011/65/EU

Mer information får du genom att kontakta Stanley på följande adress, eller se baksidan på bruksanvisningen.

Undertecknad är ansvarig för sammanställning av den tekniska filen och gör denna förklaring som ombud för Stanley.

Patrick Diepenbach

Patrick Diepenbach
General Manager, Benelux
Stanley,

Egide Walschaertsstraat 14-18
2800 Mechelen, Belgien

15.05.2022

Garanti

Stanley är övertygade om kvaliteten hos denna produkt och erbjuder kunder 24 månaders garanti från inköpsdatumet. Denna garanti är ett tillägg till dina lagstadgade rättigheter och påverkar inte dessa på något sätt. Garantin är giltig i områden som tillhör medlemsstaterna i Europeiska unionen och det europeiska frihandelsområdet samt Storbritannien.

För yrkande under garantin måste yrkandet vara i enlighet med Stanleys villkor och du kommer att behöva skicka in bevis på köpet till försäljaren eller en auktoriserad reparatör. Villkoren för Stanleys 2-åriga garanti och var du hittar din närmaste auktoriserade reparatör kan erhållas på internet på www.2helpU.com, eller genom att kontakta ditt lokala Stanley-kontor på adressen som angetts i denna bruksanvisning.

Besök vår webbplats www.blackanddecker.co.uk för att registrera din nya Stanley-produkt samt för att få information om nya produkter och specialerbjudanden.

Tiltenkt bruk

STANLEY FATMAX SFMCE100 poleringsmaskin er designet for børsting og polering. Dette apparatet er tiltenkt både fagarbeidere og private brukere.

Sikkerhetsinstruksjoner

Generelle sikkerhetsadvarsler for elektriske verktøy



Advarsel! Les alle sikkerhetsanvisninger, instruksjoner, illustrasjoner og spesifikasjoner som følger dette elektriske verktøyet. Manglende overholdelse av instruksjonene som er listet opp under kan resultere i elektrosjokk, brann og/eller alvorlig personskade.

Lagre alle advarsler og instruksjoner for fremtidig bruk.

Uttrykket "elektrisk verktøy" i advarslene henviser til ditt strømledende (med ledning) elektriske verktøy eller ditt batteridrevne (uten ledning) elektriske verktøy.

1. Sikkerhet på arbeidsområdet

- Hold arbeidsområdet rent og godt opplyst. Rotete eller mørke områder er en invitasjon til ulykker.
- Ikke bruk verktøy i eksplosive omgivelser, slik som i nærheten av antennelige væsker, gasser eller støv. Elektriske verktøy skaper gnister som kan antenne støv eller gasser.
- Hold barn og tilskuere borte mens du bruker elektriske verktøy. Distraksjoner kan føre til at du mister kontrollen.

2. Elektrisk sikkerhet

- Støpselet til elektriske verktøy må passe til stikkkontakten. Aldri modifier støpselet på noen måte. Ikke bruk adaptere med jordede elektriske verktøy. Umodifiserte støpsler og passende stikkontakter vil redusere risikoen for støt.
- Unngå kroppskontakt med jordete overflater slik som rør, radiatorer, komfyrer og kjøleskap. Det er økt risiko for elektrisk støt dersom kroppen din er jordet.
- Ikke eksponer elektriske verktøy for regn eller våte forhold. Dersom det kommer vann inn i et elektrisk verktøy vil det øke risikoen for elektrisk sjokk.
- Ikke bruk ledningen feil. Aldri bruk ledningen til å bære, trekke eller dra ut støpselet til det elektriske verktøyet. Hold ledningen borte fra varme, olje, skarpe kanter eller bevegelige deler. Skadede eller innviklede ledninger øker risikoen for elektrisk sjokk.
- Når du bruker et elektrisk verktøy utendørs, bruk en skjøteledning som er egnet for utendørs bruk. Bruk av en skjøteledning beregnet for utendørs bruk reduserer risikoen for elektrisk støt.

- Dersom bruk av et elektrisk verktøy på et fuktig sted er uunnåelig, bruk en strømkilde med jordfeilbryter (RCD). Bruk av jordfeilbryter (RCD) reduserer risikoen for elektrisk sjokk.

3. Personlig sikkerhet

- Vær oppmerksom, følg med på hva du gjør og bruk sunn fornuft når du bruker elektroverktøyet. Ikke bruk et elektroverktøy når du er trøtt eller påvirket av rusmidler, alkohol eller medisiner. Ett øyeblikks uoppmerksomhet under bruk av elektriske verktøy kan føre til alvorlig personskade.
- Bruk personlig verneutstyr. Bruk alltid vernebriller. Verneutstyr slik som støvmaske, skliskre vernesko, hjelm, eller hørselsvern brukt under passende forhold vil redusere personskader.
- Unngå utilsiktet oppstart. Sikre at bryteren er i av-stillingen før du kobler til strømkilden og/eller batteripakken, plukker opp eller bærer verktøyet. Å bære elektriske verktøy med fingeren på bryteren eller å sette inn støpselet mens elektriske verktøy har bryteren på øker faren for ulykker.
- Fjern eventuelle justeringsnøkler før du slår på det elektriske verktøyet. En nøkkel som er festet til en roterende del av det elektriske verktøyet kan føre til personskade.
- Ikke strekk deg for langt. Ha godt fotfeste og stå støtt hele tiden. Dette fører til at du har bedre kontroll over det elektriske verktøyet ved uventede situasjoner.
- Bruk egnet antrekk. Ikke ha på deg løstsittende klær eller smykker. Hold hår, antrekk og hanske borte fra bevegelige deler. Løstsittende klær, smykker og langt hår kan bli fanget opp av bevegelige deler.
- Hvis apparatet er utstyrt for tilkobling av støvutsugings- og -oppsamlingsinnretning, må du sørge for at disse er koblet til og ordentlig sikret. Bruk av støvoppsamlere kan redusere støvrelaterte farer.
- Ikke la kunnskap som du har fått fra hyppig bruk av verktøy la deg bli for selvsikker slik at du ignorerer verktøyet sikkerhetsprinsipper. En tankeløs handling kan føre til alvorlig personskade på brokdelen av et sekund.

4. Bruk og vedlikehold av elektriske verktøy

- Ikke bruk kraft på verktøyet. Bruk riktig elektrisk verktøy for oppgaven. Det riktige elektriske verktøyet vil gjøre jobben bedre og tryggere ved den hastigheten det ble konstruert for.
- Ikke bruk verktøyet hvis bryteren ikke kan slå verktøyet av eller på. Ethvert elektrisk verktøy som ikke kan kontrolleres med bryteren er farlig og må repareres.

- c. **Koble støpselet fra strømkilden og/eller ta av batteripakken fra det elektriske verktøyet, hvis det er avtagbart, før du foretar noen justeringer, endrer tilbehør eller lagrer elektriske verktøy.** Slike preventive sikkerhetsforanstaltninger reduserer risikoen for å starte det elektriske verktøyet ved et uhell.
- d. **Lagre elektriske verktøy som ikke er i bruk, utilgjengelig for barn og la ikke personer som ikke er kjent med det elektriske verktøyet eller disse instruksjonene bruke det.** Elektriske verktøy er farlige i hendene på utrenede brukere.
- e. **Hold verktøy og tilbehør ved like. Kontroller om bevegelige deler er feiljustert eller fastskjært, om deler er ødelagt eller andre forhold som kan påvirke driften av verktøyet.** Dersom det er skadet, få verktøyet reparert før neste bruk. Mange ulykker forårsakes av dårlig vedlikeholdte verktøy.
- f. **Hold skjæreverktøy skarpe og rene.** Godt vedlikeholdte skjæreverktøy med skarpe skjærekanten setter seg mindre sannsynlig fast og er lettere å kontrollere.
- g. **Bruk verktøyet, tilbehøret og bittene osv. i samsvar med disse instruksjonene og ta i betraktning arbeidsforholdene og det arbeidet som skal utføres.** Bruk av det elektriske verktøyet for oppgaver som er forskjellige fra de som er tiltenkt kan føre til en farlig situasjon.
- h. **Hold håndtak og gripeflater tørre, rene og frie for olje og fett.** Glatte håndtak og gripeområder gir utrygg håndtering og manglende kontroll over verktøyet i uventede situasjoner.

5. Bruk og stell av batteriverktøy

- a. **Skal kun lades opp ved hjelp av batteriladere spesifisert av produsenten.** En lader som passer for en type batteripakke kan føre til risiko for brann dersom den brukes på en annen batteripakke.
- b. **Bruk elektroverktøy bare med spesifikt angitte batteripakker.** Bruk av andre batteripakker kan føre til risiko for personskade og brann.
- c. **Når batteripakken ikke er i bruk, må du oppbevare den atskilt fra andre metallgjenstander som binders, mynter, nøkler, spiker, skruer eller andre små metallgjenstander som kan opprette en forbindelse fra en terminal til en annen.** Kortslutning av batteripolene mot hverandre kan føre til brannskader eller brann.
- d. **Ved feilaktig bruk kan det komme væske ut av batteriet, unngå kontakt med den.** Dersom du kommer i kontakt med den, skyll av med vann. Dersom du får væsken i øynene, søk legehjelp. Væske som kommer ut av batteriet kan føre til irritasjon eller brannskader.

- e. **Ikke bruk en batteripakke eller verktøy som er skadet eller modifisert.** Skadede eller modifiserte batterier kan oppføre seg uforutsigbart og føre til brann, eksplosjon eller fare for personskade.
- f. **Ikke utsett en batteripakke eller et verktøy for ild eller for høy temperatur.** Ild eller temperatur over 130 °C kan føre til en eksplosjon.
- g. **Følg alle anvisninger for lading og lad ikke batteripakken eller verktøyet ved temperaturer som avviker fra området spesifisert i bruksanvisningen.** Feilaktig lading eller lading ved temperaturer utenfor det angitte område kan skade batteriet og øker brannfaren.

6. Service

- a. **Få det elektriske verktøyet ditt vedlikeholdt av en kvalifisert reparatør som kun bruker originale reservedeler.** Dette vil sikre at verktøyets sikkerhet blir ivarettatt.
- b. **Utfør aldri service på skadede batteripakker.** Vedlikehold av batteripakker skal kun utføres av produsenten eller autoriserte serviceverksteder.

Restrisikoer

Til tross for at man følger relevante sikkerhetsbestemmelser og bruker sikkerhetsutstyr, er det bestemte farer som ikke kan unngås. De er:

- ♦ Hørselskader.
- ♦ Fare for personskade pga. flygende partikler.
- ♦ Fare for brannskader fordi utstyr blir varmt under bruk.
- ♦ Fare for personskade ved langvarig bruk.

Sikkerhet for andre

- ♦ Det er ikke meningen at dette verktøyet skal brukes av personer (inkludert barn) med reduserte fysiske, sansemessige eller mentale evner, eller personer som mangler erfaring og kunnskap, med mindre de har fått oppløring eller instruksjoner for bruken av verktøyet fra en person som er ansvarlig for deres sikkerhet.
- ♦ Barn må holdes under oppsyn, sørg for at de ikke leker med apparatet.

Vibrasjon

Vibrasjonsemissionsverdien som er angitt under tekniske data og samsvarserklæring, er blitt målt i henhold til en standard testmetode som er angitt i EN62841, og kan brukes til å sammenligne et verktøy med et annet. Den oppgitte vibrasjonsemissionsverdien kan også brukes til en foreløpig vurdering av eksponering.



Advarsel! De virkelige vibrasjonsverdiene under bruk av elektroverktøyet kan avvike fra de oppgitte verdiene avhengig av hvordan verktøyet brukes. Vibrasjonsnivået kan øke over nivået som er oppgitt.

Under vurdering av vibrasjonseksposering for å bestemme sikkerhetstiltak som kreves i 2002/44/EF for å beskytte personer som bruker elektroverktøy regelmessig i arbeidet, skal det tas hensyn til de faktiske bruksforholdene og måten verktøyet blir brukt på. Dette gjelder alle deler av brukssyklusen – også de gangene verktøyet er slått av, når det går på tomgang, samt tiden utløseren er inne.

Etiketter på verktøyet

Følgende advarselssymboler vises på verktøyet sammen med datokoden:



Advarsel! Brukeren må lese håndboken for å redusere risikoen for skade.

Ytterligere sikkerhetsinstruksjoner for batterier og ladere

Batterier

- ♦ Forsøk aldri å åpne av noen årsak.
- ♦ Ikke utsett batteriet for vann.
- ♦ Oppbevar ikke på steder der temperaturen kan overskride 40 °C.
- ♦ Lad bare ved temperaturer mellom 10 °C og 40 °C.
- ♦ Bruk bare laderen som følger med apparatet.
- ♦ Følg instruksene som finnes i avsnittet "Miljø" når du skal kaste batterier.

Ladere

- ♦ Denne Stanley Fatmax laderen skal bare brukes til å lade batteriet i apparatet som laderen kom sammen med. Andre batterier kan sprekke og føre til personskade og materiell skade.
- ♦ Prøv aldri å lade ikke-oppladbare batterier.
- ♦ Skift ut defekte ledninger umiddelbart.
- ♦ Ikke utsett laderen for vann.
- ♦ Ikke åpne laderen.
- ♦ Ikke stikk gjenstander eller fingre ned i laderen.

Elektrisk sikkerhet



Denne laderen er dobbeltisolert. Jording er derfor ikke nødvendig. Kontroller alltid at strømforsyningen samsvarer med spenningen på merkeskiltet.

- ♦ Hvis strømledningen blir skadet, må den skiftes av produsenten eller et autorisert Stanley-servicenter så du unngår fare.

Funksjoner

1. Perimeter håndtakssystem
2. Av/på skyvebryter
3. Skumputebunn
4. Hastighetshjul
5. Batteri
6. Batterilåseknapp

MONTERING OG JUSTERING



Advarsel! For å redusere faren for alvorlige personskader, slå av apparatet og ta av batteripakken før du gjør justeringer eller tar av/setter på tilbehør. Utsiktet oppstart kan føre til personskader.

Sette på ull hette for voks påføring (Fig. A, B, D)



ADVARSEL: Dersom noen deler mangler, IKKE bruk denne børste-/poleringsmaskin før de manglende delene er satt på. Hvis du ikke gjør dette, kan det føre til alvorlig personskade.

1. Sett hetten for voks påføring (8) på skumputebunnen (3) som vist på Fig. A. Pass ALLTID på at den elastiske stripen nederst på hetten er godt festet på undersiden av skumputen.
2. For pastavoks, bruk en sparkel eller et annet flatt objekt for å påføre voks på hetten, spre en teskje voks jevnt over hele overflaten av vokspåføringshetten som vist på Fig. B. **VIKTIG:** Ikke påføre voks direkte på bilen.
3. For flytende voks, påføre tre spruter voks på påføringshetten. Dette bør være nok til å dekke 1/4 av bilens flater som vist på Fig. D.
4. For andre, tredje og fjerde gangs påføring, bruk bare omtrent halvparten av mengden som for første påføring. Hetten absorberer ikke så mye voks ved de gjentatte påføringene.

Sette på en poleringshette av frottestoff (Fig. C, D)

1. Sett frottehette (9) på skumputen (3).
2. Pass ALLTID på at den elastiske stripen nederst på hetten er godt festet på undersiden av skumputen.
3. Påføre voks i sirkelbevegelser som vist på Fig. D.

BRUK



Advarsel! For å redusere faren for alvorlige personskader slå av maskinen og ta av batteripakken før du gjør justeringer eller tar av/setter på tilbehør eller ekstrautstyr. Utsiktet oppstart kan føre til personskader.

Sette inn og ta av batteripakke på verktøyet

Installere batteripakken (Fig. E)

- ♦ Sett batteripakken (5) inn i verktøyet til du hører et klikk når det går i lås, se Fig. E. Pass på at batteripakken sitter godt og er låst på plass.

Ta ut batteripakken (Fig. E)

- ♦ Trykk inn batterilåseknappen (6) som vist på Fig. E og dra batteripakken ut av verktøyet.

Hastighetshjul

Hastighets hjulet (4) endrer hastigheten på poleringsmaskinen. Roter hjulet forover for å øke hastigheten eller bakover for å redusere hastigheten. 1 er lavest og '3' er høyest hastighet.

Korrekt plassering av hendene (Fig. F)



Advarsel! For å redusere faren for alvorlig personskade, skal man **ALLTID** ha hendene i korrekt posisjon, som vist.



Advarsel! For å redusere faren for alvorlig personskade, skal man **ALLTID** holde godt fast, for å være forberedt på en plutselig reaksjon.

Riktig håndstilling er å ha begge hendene på betjeningshåndtaket (1).

Voksing av bil (Fig. G)

1. Før du begynner voksbehandlingen, fjern alle asfaltrester, fettflekker og insekstrester med et universal rengjøringsmiddel. La bilen tørke.
2. Sett børste-/poleringsmaskinen mot bilen og slå maskinen På ved å sette skyve bryteren til på-posisjon. For å unngå søl av voks, **ALLTID** start og stopp børste-/poleringsmaskinen mot flaten som poleres.
3. Begynn børsting ved lav hastighet og øk hastigheten ved hjelp av hastighetshjulet (4).
4. Påføre voks i en rett linje med bevegelse enten side-til side eller frem og tilbake. Bruk **ALLTID** brede, jevne strøk ved påføring av voks. Påføre voks i et tynt, jevnt lag. For mye voks gir ikke ekstra beskyttelse og gjør det bare vanskeligere å fjerne voksen.
5. Påføre voks på flate overflater (panser, bagasjerom, tak) først. Voks bare ett avsnitt om gangen.
6. Etter at flate overflater er dekket, voks sidene. Det er enklest å påføre voksen på hele overflaten før du begynner fjerningen, men følg de spesifikke anvisningene for voksen eller polishen som brukes.
7. Når du er ferdig med å påføre voksen med påføreren, **SLÅ AV** børste-/poleringsmaskinen før du tar den av bilens overflate.

MERK: IKKE påføre for mye voks på poleringshettten. Dersom du påfører for mye voks på poleringshettten blir den mettet og vil ikke vare så lenge. **DETTE GJØR POLERINGEN VANSKELIGERE OG DET VIL TA LENGRE TID.**

MERK: Dersom hettten stadig løsner fra puten, kan det være at du bruker for mye voks.

MERK: Dersom det er tungt å polere, har du kanskje brukt for mye voks.

VIKTIG: IKKE bruk for stor kraft mot arbeidsflaten med dette verktøyet. Funksjonen for eksenter-bevegelse vil fungere bedre ved bruk av mindre kraft. Ved for stor kraft blir eksenter-bevegelsen bremsset og verktøyets effekt reduseres.

VIKTIG: Vokspåføringshettter skal kun brukes en gang, og avfallshåndteres korrekt.

Børsting og polering

Pass på at hettten er ren og fri for fremmedlegemer som kan slynges ut eller lage riper i overflaten

MERK: **Utvis stor aktsomhet ved polering rundt eller over skarpe objekter og konturer på bilen.** Det er meget viktig å bruke riktig trykk ved polering av de forskjellige deler av et bilkarosseri. For eksempel skal du bruke lett trykk ved polering over skarpe panelkanter eller over kantene på takrenna øverst.

1. Vent til voksen er tørket til en jevn matting på bilen.
2. Slå børste-/poleringsmaskinen PÅ.

VIKTIG: IKKE bruk for stor kraft mot arbeidsflaten med dette verktøyet. Funksjonen for eksenter-bevegelse vil fungere bedre ved bruk av mindre kraft. Ved for stor kraft blir eksenter-bevegelsen bremsset og verktøyets effekt reduseres.

MERK: For best resultat, bruk lange, sveipende bevegelser i et kryssmønster når du skal fjerne voks.

3. Børste og poler hele flaten til all inntørket voks er fjernet. Ta av hettten noen ganger og rist av de tørre voksrestene. En hette med for mye rester i kan føre til striper. Du kan måtte skite ut hettten med en ny dersom du ikke får den ren nok til å forhindre striper.

MERK: Poleringshettens hurtigpoleringsfunksjon på bilens overflater kan forårsake statisk ladning i metalldelene på dette verktøyet. Dette kan gi en følelse av svakt elektrisk støt når du berører metalldele på verktøyet, og vil være mer merkbart på dager med lav luftfuktighet. Dette er et ufarlig fenomen, men du kan ta med verktøyet til et servicesenter der det kan kontrolleres for å se om det er noen elektrisk feil på det.

Tips om pleie av bilen

- Vask og poler bilen 3 til 4 ganger i året for å bidra til å beskytte lakken.
- Vask bilen minst hver 2. uke med et vaskemiddel som ikke skader finishen eller striper opp voksen. **UNNGÅ** bruk av husholdningsvaskemidler.
- Vask med en ren svamp og tørk med en klut av frotestoff for å unngå at smuss riper opp lakken. Start på toppen og jobb nedover.
- Fjern insekstrester, fugleskitt, harpiks og asfalt fra bilens flater daglig.
- Pass **ALLTID** på at bilens overflater er kalde før vasking.
- Unngå å parkere nært vanningsanlegg da vannflekker er vanskelig å fjerne.
- Hold **ALLTID** vindusvaskemidler unna lakkerte flater. Spray rengjøringsmiddelet på en klut, **IKKE** direkte på rutene.

Vedlikehold

Verktøyet er konstruert for å være i drift over lengre tid med et minimum av vedlikehold. For at den skal fungere tilfredsstillende over tid, er det viktig å sørge for riktig stell og regelmessig renhold.

Laderen krever intet annet vedlikehold enn regelmessig rengjøring.



Advarsel! Før du utfører vedlikehold på verktøyet, må du ta batteriet av verktøyet. Plugg ut laderen før rengjøring.

- ♦ Rengjør ventilasjonsåpningene i verktøyet og laderen jevnlig med en myk børste eller tørr klut.
- ♦ Rengjør motorhuset regelmessig med en ren, fuktig klut. Ikke bruk skurende eller løsemiddelbaserte rengjøringsmidler.

Beskyttelse av miljøet



Separat avfallshåndtering. Produkter og batterier som er merket med dette symbolet skal ikke kastes sammen med vanlig husholdningsavfall.

Produkter og batterier inneholder materialer som kan gjenbrukes eller gjenvinnes for å redusere behovet for nye råmaterialer.

Vennligst lever elektrisk utstyr og batterier til gjenbruk i henhold til lokale retningslinjer. Mer informasjon finner du på www.2helpU.com

Tekniske data

SFMCE100		
Spenning	V_{DC}	18 V
RPM (turtall)	o/min	2200-2800
Vekt	kg	2,17

Lader		SFMCB11	SFMCB12	SFMCB14
Inngangsspenning	V_{AC}	230	230	230
Utgangsspenning	V_{DC}	18	18	18
Strøm	A	1,25	2	4

Batteri		SFMCB201	SFMCB202	SFMCB204	SFMCB206
Spennning	V_{DC}	18	18	18	18
Kapasitet	Ah	1,5	2,0	4,0	6,0
Type		Li-ion	Li-ion	Li-ion	Li-ion

EU-samsvarserklæring Maskindirektivet



SFMCE100 Poleringsmaskin

Stanley erklærer at de produktene som er beskrevet under "Tekniske data" er i samsvar med: 2006/42/EC, EN62841-1:2015, EN62841-2-4:2014. Disse produktene er også i samsvar med direktiv 2014/30/EU og 2011/65/EU

For mer informasjon, vennligst kontakt Stanley på følgende adresse eller se baksiden av bruksanvisningen.

Undertegnede er ansvarlig for sammenstillingen av den tekniske filen og fremsetter denne erklæringen på vegne av Stanley.

Patrick Diepenbach

Patrick Diepenbach
General Manager, Benelux
Stanley,
Egide Walschaertsstraat 14-18
2800 Mechelen, Belgia
15.05.2022

Garanti

Stanley er trygg på kvaliteten av produktene sine og tilbyr forbrukere en 24 måneders garanti fra kjøpsdato. Denne garantien er et tillegg og endrer ikke dine rettigheter i henhold til loven. Garantien er gyldig innen områdene tilhørende medlemslandene i den Europeiske Union (EU) og det Europeiske Frihandelsområdet (EØS) og Storbritannia.

For å ta garantien i bruk må kravet være i samsvar med kjøpsbetingelsene fra Stanley og du må vise kjøpskvittering til forhandleren eller til et autorisert serviceverksted. Betingelsene for Stanley 2 års garanti og adressen til din nærmeste autoriserte serviceverksted kan du finne på Internett under www.2helpU.com, eller ved å kontakte ditt lokale Stanley kontor på adressen er angitt i denne bruksanvisningen.

Besøk våre nettsider på www.blackanddecker.no for å registrere ditt nye Stanley-produkt og for å få informasjon om nye produkter og spesialtilbud.

Tilsigtet anvendelse

Din STANLEY FATMAX SFMCE100 polermaskine er designet til et slibe og polere. Dette apparat er beregnet til erhvervsmæssige brugere og private ikke-erhvervsmæssige brugere.

Sikkerhedsvejledning

Generelle sikkerhedsadvarsler for elektrisk værktøj



Advarsel! Læs alle sikkerhedsadvarsler, instruktioner, illustrationer og specifikationer, der følger med dette elværktøj. Manglende overholdelse af alle nedenstående instruktioner kan medføre elektrisk stød, brand og/eller alvorlig personskade.

Gem alle advarsler og instruktioner

for fremtidig reference. Termen "elværktøj" i advarselne referer til dit netstrømsdrevne elværktøj (ledning) eller batteridrevne (trådløse) elværktøj.

1. Sikkerhed i arbejdsområdet

- Sørg for, at arbejdsområdet er rent og godt oplyst.** Rodede eller mørke områder giver anledning til ulykker.
- Brug ikke elværktøjer i områder med eksplosionsfare som f.eks. nær letantændelige væsker, gasser eller støv.** Elværktøjer danner gnister, der kan antænde støv eller dampe.
- Hold børn og omkringstående på afstand, når der anvendes elektrisk værktøj.** Distractioner kan medføre, at du mister kontrollen.

2. El-sikkerhed

- Stik på elektrisk værktøj skal passe til stikkontakten.** Stikket må aldrig modificeres på nogen måde. Undlad at bruge adapterstik sammen med (jordforbundet) elektrisk værktøj. Umodificerede stik og dertil passende stikkontakter reducerer risikoen for elektrisk stød.
- Undgå kropskontakt med jordforbundne overflader, såsom rør, radiatorer, komfurer og køleskabe.** Der er øget risiko for elektrisk stød, hvis din krop er jordforbundet.
- Undlad at udsætte elektrisk værktøj for regn eller våde forhold.** Hvis der trænger vand ind i et elektrisk værktøj, øges risikoen for elektrisk stød.
- Udsæt ikke ledning for overlast. Brug aldrig ledningen til at bære, trække værktøjet eller trække det ud af stikkontakten.** Hold ledningen borte fra varme, olie, skarpe kanter og bevægelige dele. Beskadigede eller sammenfiltrede ledninger øger risikoen for elektrisk stød.
- Når elektrisk værktøj benyttes udendørs, skal der anvendes en forlængerledning, som er egnet til udendørs brug.** Brug af en ledning, der er egnet til udendørs brug, reducerer risikoen for elektrisk stød.

- Hvis det ikke kan undgås at betjene et elektrisk værktøj i et fugtigt område, skal der benyttes en strømsforsyning (RCD), der er beskyttet af en fejlstrømsafbryder.** Ved at benytte en fejlstrømsafbryder reduceres risikoen for elektrisk stød.

3. Personssikkerhed

- Vær opmærksom, hold øje med hvad du laver og brug sund fornuft, når du anvender et elværktøj.** Brug ikke et elværktøj, hvis du er træt eller er under påvirkning af stoffer, alkohol eller medicin. Et øjeblikvis uopmærksomhed under anvendelse af et elektrisk værktøj kan forårsage alvorlige kvæstelser.
- Anvend personligt beskyttelsesudstyr. Bær altid beskyttelsesbriller.** Sikkerhedsudstyr, såsom en støvmaske, skridsikre sikkerhedssko, sikkerhedshjelm eller høreværn, brugt når omstændighederne foreskriver det, reducerer omfanget af personskader.
- Undgå utilsigtet start. Kontrollér, at afbryderkontakten står på slukket, inden værktøjet tilsluttes strømkilden og/eller batteriet, samles op eller bæres.** Når elektrisk værktøj bæres med fingeren på kontakten eller tilsluttes, når kontakten er tændt, er der fare for ulykker.
- Fjern eventuelle justerings- eller skruenøgler, før det elektriske værktøj startes.** En skruenøgle eller anden nøgle, der bliver siddende på en roterende del af elektrisk værktøj, kan forårsage kvæstelser.
- Undlad at række for langt. Hold hele tiden en god fodstilling og balance.** Dette gør at du har bedre kontrol over det elektriske værktøj, når uventede situationer opstår.
- Bær hensigtsmæssig påklædning. Du skal ikke have løst tøj eller smykker på. Hold dit hår og tøj væk fra bevægelige dele.** Løstsiddende tøj, smykker eller langt hår kan blive fanget i bevægelige dele.
- Hvis der anvendes støvsugnings- eller støvsamlingsudstyr, skal dette tilsluttes og anvendes korrekt.** Anvendelse af støvsamlingsudstyr kan begrænse farer forårsaget af støv.
- Lad ikke erfaringer fra hyppig brug af værktøjer medføre, at du bliver selvtilfreds og ignorerer sikkerhedsprincipperne for værktøjerne.** En skodesløs handling kan forårsage alvorlig skade i en brøkdæl af et sekund.

4. Brug og pleje af elektrisk værktøj

- Undlad at bruge magt på elektriske værktøj.** Brug det korrekte elværktøj til din opgave. Værktøjet vil klare opgaven bedre og mere sikkert med den ydelse, som det er beregnet til.
- Undlad at benytte værktøjet, hvis kontakten ikke tænder og slukker for det.** Alt elektrisk værktøj, der ikke kan kontrolleres med kontakten, er farligt og skal repareres.

- c. **Træk stikket ud af stikkontakten og/eller fjern batteripakken, hvis aftagelig fra det elektriske værktøj, før det elektriske værktøj justeres, dets tilbehør udskiftes, eller det stilles til opbevaring.** Sådanne forebyggende sikkerhedsforanstaltninger mindsker risikoen for, at værktøjet startes utilsigtet.
- d. **Opbevar ubenyttet elværktøj uden for børns rækkevidde. Elværktøjet må ikke bruges af personer, der ikke er fortrolige med det, eller som ikke har gennemlæst disse instruktioner.** Elektrisk værktøj er farligt i hænderne på personer, som ikke er instrueret i brugen deraf.
- e. **Elektrisk værktøj og tilbehør skal vedligeholdes. Undersøg om bevægelige dele sidder skævt, bind- eller er gået itu såvel som andre forhold, der kan påvirke betjeningen af elektriske værktøjer. Hvis det elektriske værktøj er beskadiget, skal det repareres før brug.** Mange ulykker er forårsaget af dårligt vedligeholdt værktøj.
- f. **Hold skæreværktøjer skarpe og rene.** Ordentligt vedligeholdt skæreværktøj med skarpe skærekanten har mindre tilbøjelighed til at binde og er lettere at styre.
- g. **Brug elektrisk værktøj, tilbehør, bor, osv. i overensstemmelse med disse instruktioner, idet der tages hensyn til arbejdsforholdene og den opgave, som skal udføres.** Brug af elektrisk værktøj til andre opgaver end dem, det er beregnet til, kan resultere i en farlig situation.
- h. **Hold håndtag og gribeblader tørre, rene og fri for olie og fedt.** Glatte håndtag og gribeblader giver ikke en sikker håndtering og kontrol af værktøjet i uventede situationer.

5. Brug og pleje af batteriværktøj

- a. **Genoplad kun værktøjet ved brug af den oplader, der er angivet af producenten.** En oplader, der passer til en type batteripakke, kan udgøre en risiko for brand, når den bruges til en anden type.
- b. **Brug kun elværktøj sammen med batteripakker, der er specifikt beregnet hertil.** Brugen af andre batteripakker kan medføre personskade og brand.
- c. **Når batteripakken ikke er i brug, skal den holdes på afstand af andre metalgenstande, f.eks. papirclips, mønter, nøgler, søm, skruer og andre små metalgenstande, som kan skabe forbindelse mellem de to poler.** Kortslutning af batteriet kan forårsage forbrændinger eller brand.
- d. **Under grove forhold kan væske sive ud fra batteriet; undgå kontakt. Hvis der opstår kontakt ved et uheld, skyl med vand. Hvis væske kommer ind i øjnene, søg omgående lægehjælp.** Væske, der siver ud fra batteriet, kan fremkalde irriteration eller forbrændinger.

- e. **Anvend ikke en batteripakke eller et værktøj, der er beskadiget eller ændret.** Beskadigede eller ændrede batterier kan udvise uforudsigelig adfærd og resultere i brand, eksplosion eller risiko for skader.
- f. **Udsæt ikke en batteripakke eller et værktøj for ild eller meget varme temperaturer.** Udsættelse for ild eller temperaturer over 130 °C kan medføre en eksplosion.
- g. **Følg alle opladningsinstruktionerne og oplad ikke batteripakken eller værktøjet uden for det temperaturområde, der er anført i instruktionerne.** Forkert opladning eller opladning ved temperaturer uden for det specificerede område kan beskadige batteriet og øge risikoen for brand.

6. Service

- a. **Få altid elværktøjet repareret af kvalificerede fagfolk udelukkende med identiske reservedele.** Derved sikres det, at værktøjets driftssikkerhed opretholdes.
- b. **Udfør aldrig service på beskadigede batteripakker.** Service på batteripakker bør kun udføres af producenten eller autoriserede serviceudbydere.

Restrisici

På trods af overholdelsen af de relevante sikkerhedsregler og brug af sikkerhedsudstyr kan visse restrisici ikke undgås. Disse omfatter:

- ♦ Hørensættelse.
- ♦ Risiko for personskade som følge af flyvende partikler.
- ♦ Risiko for forbrænding ved at røre ved tilbehør, der bliver varmt under betjening.
- ♦ Risiko for personskade som følge af forlænget brug.

Andres sikkerhed

- ♦ Dette værktøj må ikke bruges af personer (herunder børn) med nedsatte fysiske, sensoriske eller mentale evner eller manglende erfaring og viden, medmindre det sker under overvågning, eller der gives instruktion i brugen af værktøjet af en person, der er ansvarlig for deres sikkerhed.
- ♦ Børn skal overvåges for at sikre, at de ikke leger med udstyret.

Vibration

De angivne værdier for udsendelse af vibration anført under de tekniske data og overensstemmelseserklæringen er målt i henhold til standardtestmetoden i EN62841 og kan bruges til at sammenligne ét værktøj med et andet. Den angivne vibrationsemissionsværdi kan også bruges i forbindelse med en foreløbig vurdering af eksponeringen.



Advarsel! Vibrationsemissionsværdien kan under faktisk brug af elværktøjet afvige fra den angivne værdi afhængigt af de måder, hvorpå værktøjet anvendes. Vibrationsniveauet kan stige til over det angivne niveau.

Ved vurdering af vibrationseksponeringen til at fastlægge de sikkerhedsforanstaltninger, der kræves af 2002/44/EC for at beskytte personer der regelmæssigt benytter elværktøj på arbejde, bør en vurdering af vibrationseksponeringen overvejes, de faktiske anvendelsesbetingelser og den måde, hvorpå værktøjet anvendes, herunder under hensyntagen til alle dele af driftscyklussen som f.eks. de tidspunkter, hvor værktøjet er slukket, og når det kører i tomgang, udover udløsningsstiden.

Mærkatér på værktøjet

Værktøjet er forsynet med følgende advarselssymboler samt datokoden:



Advarsel! Brugeren skal læse brugervejledningen for at reducere risikoen for kvæstelser.

Yderligere sikkerhedsvejledninger for

batterier og ladere

Batterier

- Forsøg aldrig at åbne den af en eller anden grund.
- Batteriet må ikke udsættes for fugt.
- Opbevar ikke på steder, hvor temperaturen kan overstige 40 °C.
- Foretag kun opladning ved omgivelsestemperaturer mellem 10 °C og 40 °C.
- Oplad kun ved hjælp af den medfølgende lader.
- Følg ved bortskaffelse af batterier vejledningen i afsnittet "Miljø".

Opladere

- Brug kun din Stanley Fatmax-lader til at oplade batteriet i det værktøj, som den blev leveret sammen med. Andre batterier kan eksplodere og forårsage personskade og materiel skade.
- Forsøg aldrig at oplade ikke-genopladelige batterier.
- Udskift straks defekte ledninger.
- Opladeren må ikke udsættes for fugt.
- Opladeren må ikke åbnes.
- Undersøg ikke opladeren.

El-sikkerhed



Denne lader er dobbelt isoleret. Derfor er jordledning ikke nødvendig. Kontrollér altid, at strømforsyningen svarer til spændingen på mærkepladen.

- Hvis netledningen beskadiges, skal den udskiftes af producenten eller et autoriseret Stanley-værksted, så farlige situationer undgås.

Funktioner

1. Omkredshåndtagssystem
2. Tænd/sluk-skydekontakt
3. Skumpudebase
4. Hastighedsvælger

5. Batteri
6. Batteriudløserknop

SAMLING OG JUSTERINGER



Advarsel! For at mindske risikoen for alvorlige personskader, skal du slukke for enheden og fjerne batteripakken før du foretager justeringer eller fjerner/installerer tilbehør. En utilsigtet start kan forårsage kvæstelser.

Fastgørelse af uldvoksbehandlingsskive (Fig. A, B, D)



ADVARSEL: Hvis nogen dele mangler, må du IKKE betjene denne polermaskine, før de manglende dele er udskiftet. I modsat fald er der risiko for, at der kan opstå alvorlige personskader.

1. Fastgør voksbehandlingsskiven (8) til skumpudebasen (3) som vist i Fig. A. Sørg ALTID for, at den elastiske strimmel i bunden af skiven er sikkert foldet ind under undersiden af skumpuden.
2. Til pastavoks bruges en spartel eller en anden flad genstand til at påføre pastavoks på motorhjelmen ved at sprede en teskefuld voks jævnt over hele overfladen af voksbehandlingskiven som vist i Fig. B.
VIGTIGT: Påfør ikke voks direkte på køretøjet.
3. Ved flydende voks påføre tre striber voks over behandlingskiven. Dette bør være nok til at dække 1/4 af køretøjets overflade som vist i Fig. D.
4. For den anden, tredje og fjerde påføring skal du kun bruge cirka halvt så meget som ved den første påføring. Motorhjelmen vil ikke absorbere så meget voks ved disse påføringer.

Fastgørelse af frotté-polereskiven (Fig. C, D)

1. Placer frotté-skiven(9) på skumpuden (3).
2. Sørg ALTID for, at den elastiske strimmel i bunden af skiven er sikkert foldet ind under undersiden af skumpuden.
3. Påfør voks i en cirkulær bevægelse som vist i Fig. D.

DRIFT



Advarsel! For at reducere risiko for alvorlig personskade, skal du slukke for og fjerne batteripakken før du foretager justeringer eller fjerner/installerer tilbehør. En utilsigtet start kan forårsage personskade.

Indsættelse og udtagning af batteripakken fra værktøjet

Sådan installeres batteripakken (Fig. E)

- Sæt batteripakken (5) godt ind i værktøjet, indtil der kan høres et klik, som vist på Fig. E. Sørg for at batteripakken er helt skubbet ind og låst i position.

Sådan fjernes batteripakken (Fig. E)

- Tryk batteriudløserknappen (6) ned som vist i Fig. E og træk batteripakken ud af værktøjet.

Hastighedsvælger

Hastighedsvælgeren (4) ændrer poleremaskinens hastighed. Drej hastighedsvælgeren fremad for at øge hastigheden eller bagud for at sænke hastigheden. 1 er den laveste indstilling og 3 er den højeste indstilling.

Korrekt håndposition (Fig. F)



Advarsel! For at reducere risikoen for alvorlig personskade, skal du **ALTID** anvende den korrekte håndposition som vist.



Advarsel! For at reducere risikoen for alvorlig personskade skal du **ALTID** holde godt fast i tilfælde af en pludselig reaktion.

Korrekt håndposition kræver begge hænder på omkredshåndtaget (1).

Voksbehandling af køretøj (Fig. G)

1. Før du begynder at vokse og polere dit køretøj, skal du fjerne al vejtyre, overskydende fedtpletter og insektpletter med et almindeligt rengøringsmiddel. Tør dit køretøj.
2. Placer polermaskinen mod køretøjet, og tænd polermaskinen ved at skubbe kontakten til ON-position. For at undgå vokssprøjt, skal du **ALTID** starte og stoppe polermaskinen mod overfladen, der skal poleres.
3. Begynd at polere ved lav hastighed og skru op for hastigheden ved hjælp af hastighedsvælgeren (4).
4. Påfør voks i en lige linje med enten en side-til-side- eller frem-og-tilbage-bevægelse. Brug **ALTID** brede, jævne strøg, når der påføres voks. Påfør altid voks i et tyndt, jævnt lag. For meget voks giver ikke mere beskyttelse og gør kun voksfjernelsen sværere.
5. Påfør først voks på de flade overflader (hætte, bagagerum og tag). Voks en sektion ad gangen.
6. Når de flade overflader er dækkede, kan du vokse siderne. Det er nemmest at påføre voksen på hele overfladen, før du starter fasen med at fjerne; følg dog de specifikke anbefalinger for den voks eller lak, der anvendes.
7. Når du er færdig med at påføre voks med applikatoren/skiven, skal du **SLUKKE** polermaskinen, før du fjerner den fra køretøjets overflade.

BEMÆRK: Påfør **IKKE** for meget voks på skiven. Påføring af for meget voks får skiven til at blive mættet, og den vil ikke holde så længe. **DETTE GØR POLERING VANSKELIGERE OG DET TAGER LÆNGERE TID.**

BEMÆRK: Hvis skiven hele tiden falder af puden, bruger du muligvis for meget voks.

BEMÆRK: Hvis det er svært at polere, har du brugt for meget voks.

VIGTIGT: Påfør **IKKE** for stort tryk mod arbejdsfladen med dette værktøj. Den tilfældigt roterende bevægelse på dette

værktøj vil fungere bedre, når der påføres mindre tryk.

Påføring af for stort tryk vil bremse den tilfældige roterende bevægelse og reducere værktøjets effektivitet.

VIGTIGT: Vokspåføringskiver bør kun bruges én gang og derefter bortskaffes korrekt.

Polering

Sørg for, at skiven er ren og fri for eventuelle løse partikler eller fremmedlegemer, der kan blive slynget eller ridse finishen

BEMÆRK: Du skal anvende den største forsigtighed ved polering rundt om eller over skarpe genstande og konturer på karosseriet. Det er meget vigtigt at anvende det korrekte tryk ved polering af forskellige bildele. Eksempelvis skal der anvendes et let tryk ved polering af skarpe hjørner på karosseriet eller langs med regnrender oven på taget.

1. Vent indtil voksen er tørret, før du udjævner en uklarhed på køretøjet.
2. Tænd for polermaskinen (ON).

VIGTIGT: Påfør **IKKE** for stort tryk mod arbejdsfladen med dette værktøj. Den tilfældigt roterende bevægelse på dette værktøj vil fungere bedre, når der påføres mindre tryk. Påføring af for stort tryk vil bremse den tilfældige roterende bevægelse og reducere værktøjets effektivitet.

BEMÆRK: For de bedste resultater skal du bruge lange, fejende strøg i et krydsmønster, når du fjerner voks.

3. Poler hele overfladen, indtil al tørret voks er fjernet. Fjern skiven fra tid til anden, og ryst de tørrede voksrester ud. En skive med overskydende rester kan forårsage striber. Du skal muligvis udskifte skiven med en ny, hvis du ikke kan få den ren nok til at undgå striber.

BEMÆRK: Hvis polereskiven køres med stor hastighed hen over køretøjets overflade, kan der opbygges en statisk opladning på dette værktøjets metaldele. Dette kan resultere i en fornemmelse af et meget kort mildt elektrisk stød, når metalområdet på værktøjet berøres, og vil være mere mærkbart på dage, hvor luftfugtigheden er lav. Dette er et harmløst fænomen, men du er velkommen til at bringe værktøjet til et -servicecenter, hvor det kan kontrolleres for at sikre, at der ikke er nogen elektrisk fejl.

Plejetips til køretøjet

- Vask og poler køretøjet 3 til 4 gange om året for at sikre lakkens beskyttelse.
- Vask køretøjet mindst hver anden uge med en bilvaskopløsning, som ikke skader finishen eller fjerner voksen. **UNDGÅ** at vaske med husholdningsvaskemidler.
- Vask med en ren svamp og tør med et frottéhåndklæde for at forhindre snavs i at ridse lakken. Start fra toppen og arbejde dig nedad.
- Fjern insekter, fugleklatrer, træsaft og tjære fra køretøjets overflade på daglig basis.
- Sørg **ALTID** for, at køretøjets overflade er kølig før vask.
- Undgå at parkere i nærheden af sprinklere, da vandpletter er svære at fjerne.

- Hold ALTID kemikalier til glasrengøring væk fra malede overflader. Spray rengøringsmidlet på et håndklæde, IKKE direkte på vinduerne.

Vedligeholdelse

Dit værktøj er beregnet til brug gennem lang tid med et minimum af vedligeholdelse. Vedvarende tilfredsstillende funktion er afhængig af, om apparatet plejes korrekt og rengøres regelmæssigt.

Din oplader kræver ingen vedligeholdelse bortset fra regelmæssig rengøring.



Advarsel! Før vedligeholdelse af værktøjet, skal du fjerne batteriet fra værktøjet. Tag laderen ud af stikkontakten, inden den rengøres.

- ♦ Rengør jævnligt ventilationshuller i dit værktøj og oplader med en blød børste eller en tør klud.
- ♦ Rengør med jævne mellemrum motorhuset med en fugtig klud. Der må ikke bruges skuremidler eller opløsningsmidler.

Miljøbeskyttelse



Særskilt bortskaftelse. Produkter og batterier mærket med dette symbol må ikke bortskaftes sammen med normalt husholdningsaffald.

Produkter og batterier indeholder materialer, der kan genindvindes eller genanvendes, hvilket reducerer efterspørgslen efter råvarer.

Genbrug venligst elektriske produkter og batterier i henhold til lokale regulativer. Yderligere informationer findes på www.2helpU.com

Tekniske data

SFMCE100			
Spænding	V_{DC}		18 V
O/min	min^{-1}		2200-2800
Vægt	kg		2,17

Oplader		SFMCB11	SFMCB12	SFMCB14
Indgangsspænding	V_{AC}	230	230	230
Udgangsspænding	V_{DC}	18	18	18
Strømstyrke	A	1,25	2	4

Batteri		SFMCB201	SFMCB202	SFMCB204	SFMCB206
Spænding	V_{DC}	18	18	18	18
Kapacitet	Ah	1,5	2,0	4,0	6,0
Type		Li-Ion	Li-Ion	Li-Ion	Li-Ion

Lydtrykniveau i henhold til EN 62841:

Lydtryk (L_w) 53 dB(A), usikkerhed (K) 3 dB(A)

Lydeffekt (L_{wA}) 64 dB(A), usikkerhed (K) 3 dB(A)

Samlede værdier for vibration (triaksial vektorsum) i henhold til EN 62841:

Værdi for udsendelse af vibration (a_{rw}) 7,5 m/s^2 , usikkerhed (K) 1,5 m/s^2

EF-overensstemmelseserklæring Maskindirektiv



SFMCE100 polermaskine

Stanley erklærer, at produkterne beskrevet under "tekniske data" er i overensstemmelse med:
2006/42/EF, EN62841-1:2015, EN62841-2-4:2014.

Disse produkter er endvidere i overensstemmelse med direktiv 2014/30/EU og 2011/65/EU

Kontakt Stanley på følgende adresse for yderligere oplysninger eller se bagsiden af vejledningen.

Undertegnede er ansvarlig for udarbejdelsen af den tekniske fil og fremsætter denne erklæring på vegne af Stanley.

Patrick Diepenbach

Patrick Diepenbach
General Manager, Benelux
Stanley,
Egide Walschaertsstraat 14-18
2800 Mechelen, Belgien
15.05.2022

Garanti

Stanley er sikker på kvaliteten af sine produkter og giver forbrugerne en garanti på 24 måneder fra købsdatoen. Garantien er et tillæg til forbrugers lovbestemte rettigheder og påvirker ikke disse. Garantien er gyldig inden for medlemsstaterne af Den Europæiske Union, Det Europæiske Frihandelsområde og Storbritannien.

Når du gør krav på garantien, skal kravet være i overensstemmelse med Stanleys vilkår og betingelser, og du skal indsende dokumentation for købet til sælgeren eller til en autoriseret reparatør. Vilkår og betingelser for Stanleys 2 års garanti og placeringen af dit nærmeste autoriserede serviceværksted kan fås på internettet på www.2helpU.com, eller ved at kontakte dit Stanley kontor på adressen, som findes i denne manual.

Besøg vores websted www.blackanddecker.co.uk for at registrere dit nye Stanley produkt og modtage opdateringer om nye produkter og specielle tilbud.

Käyttötarkoitus

STANLEY FATMAX SFMCE100 -kiillotuskone on suunniteltu kiillotukseen. Laitte on tarkoitettu sekä ammattitietä yksityiskäyttöön.

Turvaohjeet

Sähkötyökalun yleiset turvallisuusvaroitukset



Varoitus! Lue kaikki tämän laitteen mukana toimitetut varoitukset, käyttöohjeet ja tekniset tiedot. Jos kaikkia ohjeita ei noudateta, on olemassa sähköiskun, tulipalon ja/tai vakavan henkilövahingon vaara.

Tallenna kaikki varoitukset ja ohjeet myöhempiä tarvetta varten. Näissä varoituksissa käytettävä sähkötyökaluilmaus viittaa verkkovirtaan yhdistettävään tai akkukäyttöiseen työkaluun.

1. Työalueen turvallisuus

- Pidä työskentelyalue siistinä ja varmista sen hyvä valaistus. Onnettomuuksia sattuu herkemmin epäsiistissä tai huonosti valaistussa ympäristössä.
- Älä käytä sähkötyökaluja, jos on olemassa räjähdysvaara esimerkiksi syttyvien nesteiden, kaasujen tai pölyn vuoksi. Sähkötyökalujen aiheuttamat kipinät voivat sytyttää pölyn tai kaasut.
- Pidä lapset ja sivulliset kaukana käyttäessäsi sähkötyökalua. Keskeyttämiskyvyn herpaantuminen voi aiheuttaa hallinnan menettämisen.

2. Sähköturvallisuus

- Pistokkeen ja pistorasian on vastattava toisiaan. Älä koskaan tee pistokkeeseen mitään muutoksia. Älä yhdistä maadoitettua sähkötyökalua jatkojohtoon. Sähköiskun vaara vähenee, jos pistokkeisiin ei tehdä muutoksia ja ne yhdistetään vain niille tarkoitettuihin pistorasioihin.
- Älä kosketa maadoituksessa käytettäviin pintoihin, kuten putkiin, lämpöpattereihin ja jäähdytyslaitteisiin. Voit saada sähköiskun, jos kehosi on maadoitettu.
- Älä aaltista sähkötyökaluja sateelle tai kosteudelle. Sähkötyökaluun menevä vesi lisää sähköiskun vaaraa.
- Älä vaurioita sähköjohtoa. Älä kanna sähkötyökaluja sähköjohdosta tai vedä pistoketta pistorasiasta sähköjohdon avulla. Pidä sähköjohto kaukana kuumuudesta, öljystä, terävistä reunoista tai liikkuvista osista. Vaurioituneet tai sotkeutuneet johdot lisäävät sähköiskun vaaraa.
- Jos käytät sähkötyökalua ulkona, käytä vain ulkokäyttöön tarkoitettua jatkojohtoa. Ulkokäyttöön tarkoitettua sähköjohdon käyttäminen vähentää sähköiskun vaaraa.

- Jos sähkötyökalua on käytettävä kosteassa paikassa, käytä vikavirtasuojaa. Tämä vähentää sähköiskun vaaraa.

3. Henkilökohtainen turvallisuus

- Pysy valppaana, tarkkaavaisena ja käytä tervettä järkeä sähkötyökalua käyttäessä. Sähkötyökalua ei saa käyttää väsyneenä tai huumausaineiden, alkoholin tai lääkkeiden vaikutuksen alaisena. Keskeyttämisen herpaantuminen hetkeksikin sähkötyökalua käytettäessä voi aiheuttaa vakavan henkilövahingon.
- Käytä henkilönsuojaimia. Käytä aina suojalaseja. Hengityssuojaimen, liukumattomien turvajalkineiden, kypärän ja kuulonsuojaimen käyttäminen vähentää henkilövahinkojen vaaraa.
- Estä tahaton käynnistäminen. Varmista, että virtakytkin on OFF-asennossa, ennen kuin kytket sähkötyökalun pistorasiaan, yhdistät siihen akun, nostat sähkötyökalun käteesi tai kannat sitä. Sähkötyökalun kantaminen somi virtakytkimellä lisää onnettomuusvaaraa.
- Poista kaikki säätöavaimet tai väntimet ennen sähkötyökalun käynnistämistä. Sähkötyökalun pyöriivään osaan kiinni jäänyt avain voi johtaa loukkaantumiseen.
- Älä kurkottele. Huolehdi siitä, että sinulla on koko ajan tukeva jalansija ja hyvä tasapaino. Näin voit hallita sähkötyökalua paremmin odottamattomissa tilanteissa.
- Pukeudu oikein. Älä käytä löysiä vaatteita tai koruja. Pidä hiukset ja vaatteet loitolla liikkuvista osista. Löysät vaatteet, korut tai pitkät hiukset voivat tarttua liikkuviin osiin.
- Jos käytettävissä on laitteita pölyn ottamiseksi talteen, käytä niitä. Pölyn ottaminen talteen voi vähentää pölyn aiheuttamia vaaroja.
- Vaikka käyttäisit usein työkaluja ja sinulla olisi niistä hyvä tuntemus, älä jätä lukematta työkalun turvallisuusohjeita. Huolimattomuus voi johtaa vakaaviin henkilövahinkoihin jopa sekunnin murto-osassa.

4. Sähkötyökalusta huolehtiminen

- Älä kohdista sähkötyökaluun liikaa voimaa. Käytä käyttötarkoitukseen suunniteltua sähkötyökalua. Sähkötyökalu toimii paremmin ja turvallisemmin, kun sitä käytetään sille suunniteltuun käyttötarkoitukseen.
- Älä käytä sähkötyökalua, jos virtakytkin ei toimi. Jos sähkötyökalua ei voi hallita kytkimen avulla, se on vaarallinen ja se on korjattava.
- Katkaise sähkötyökalusta virta ja/tai irrota sen pistoke pistorasiasta tai irrota akku (jos irrotettavissa) siitä ennen säätämistä, varusteiden vai-

htamista tai sähkötyökalun asettamista säilytykseen. Näin voit vähentää vahingossa käynnistymisen aiheuttaman henkilövahingon vaaraa.

d. Varastoi sähkötyökaluja lasten ulottumattomissa.

Älä anna sähkötyökaluihin tottumattomien tai näihin ohjeisiin perehtymättömien henkilöiden käyttää sähkötyökaluja. Sähkötyökalut ovat vaarallisia kouluttamattomien käyttäjien käsissä.

e. Hoida sähkötyökaluasi ja lisävarusteita huolella.

Tarkista liikkuvat osat, niiden kiinnitys, osien eheys ja muut koneen toimintaan vaikuttavat tekijät. Jos havaitset vaurioita, korjauta sähkötyökalu ennen niiden käyttämistä. Huonosti kunnossapidetyt sähkötyökalut aiheuttavat onnettomuuksia.

f. Pidä leikkaavat pinnat terävinä ja puhtaina. Kunnonssa pidettyjen leikkaavia teräviä reunoja sisältävien työkalut todennäköisyys jumiutua vähenee, ja niitä on helpompi hallita.

g. Käytä sähkötyökaluja, tarvikkeita, vaihtotyökaluja jne. näiden ohjeiden mukaisesti. Ota tällöin huomioon työolosuhteet ja suoritettava toimenpide. Jos sähkötyökalua käytetään näiden ohjeiden vastaisesti, voi syntyä vaaratilanne.

h. Pidä kahvat ja kädensijat kuivina ja puhtaina öljystä ja rasvasta. Liukkaat kahvat ja kädensijat estävät työkalun turvallisen käsittelyn ja hallinnan odottamattomissa tilanteissa.

5. Akkutyökalun käyttö ja huolto

a. Lataa vain valmistajan määrittämällä laturilla. Laturi, joka on sopiva yhden tyyppiselle akulle, voi aiheuttaa tulipalon vaaran, jos sitä käytetään toisen tyyppisellä akulla.

b. Käytä sähkötyökalussa ainoastaan kyseiseen sähkötyökaluun tarkoitettua akkua. Muun tyyppisen akun käyttö saattaa johtaa loukkaantumiseen tai tulipaloon.

c. Pidä irrallinen akku loitolla metalliesineistä, kuten paperiliittimistä, kolikoista, avaimista, nautoista, ruuveista tai muista pienistä metalliesineistä, jotka voivat aiheuttaa oikosulun akun navoissa. Akun napojen oikosulku voi aiheuttaa palovammoja tai tulipalon.

d. Väärin käytetystä akusta voi vuotaa nestettä. Älä kosketa sitä. Jos nesteen kanssa joutuu kosketuksiin, huuhtelee vedellä. Jos nestettä joutuu silmiin, hakeudu lisäksi lääkärin hoitoon. Akusta roiskunut neste saattaa aiheuttaa ärsytystä tai palovammoja.

e. Vaurioitunutta tai muokattua akkua tai laitetta ei saa käyttää. Vaurioituneissa tai muokatuissa akuissa voi esiintyä odottamattomia häiriöitä, jotka voivat aiheuttaa tulipaloja, räjähdysvaaroja tai henkilövahinkoja.

f. Akku ja laite tulee suojata tulelta sekä liian korkealta lämpötilalta. Mikäli akku altistuu tulelle tai yli 130 °C lämpötilalle, seurauksena voi olla räjähdys.

g. Noudata kaikkia latausohjeita, akkua tai laitetta ei saa ladata ohjeissa annettujen lämpötilavälien ulkopuolella. Virheellisen latauksen tai annettujen lämpötilavälien ulkopuolella lataamisen seurauksena akku voi vaurioitua ja tulipalovaara kasvaa.

6. Huolto

a. Korjauta sähkötyökalu valtuutetulla asentajalla. Varoasina on käytettävä vain alkuperäisiä vastavia osia. Täten taataan sähkötyökalun turvallisuus.

b. Vaurioituneita akkuja ei saa koskaan huoltaa. Ainoastaan valmistaja tai valtuutetut huoltoliikkeet saavat huoltaa akkuja.

Vaarat

Turvamääräysten noudattamisesta ja turvalaitteiden käyttämisestä huolimatta tiettyjä vaaroja ei voida välttää. Näitä ovat seuraavat:

- ♦ Kuulon heikkeneminen.
- ♦ Lentävien kappaleiden aiheuttamat henkilövahingot.
- ♦ Käytön aikana kuumenevien varusteiden aiheuttamat palovammat.
- ♦ Pitkäaikaisen käyttämisen aiheuttamat henkilövahingot.

Muiden henkilöiden turvallisuus

- ♦ Tätä työkalua ei ole tarkoitettu sellaisten henkilöiden käyttöön, joilla on fyysisiä tai älyllisiä rajoitteita tai aistirajoitteita, eikä laitteen toimintaan perehtymättömien henkilöiden käyttöön (lapset mukaan luettuina), paitsi valvonnan alaisina, tai jos he ovat saaneet työkalun käyttöön liittyvää opastusta heidän turvallisuudestaan vastaavalta henkilöltä.
- ♦ Lapsia tulee valvoa ja varmistaa, että he eivät leiki laitteella.

Tärinä

Teknisissä tiedoissa ja vaatimustenmukaisuusvakuutuksessa ilmoitettu tärinäpäästöarvo on mitattu EN62841-standardin testausmenetelmän mukaisesti, ja arvoa voi käyttää työkalujen keskinäiseen vertailuun. Ilmoitettua tärinäpäästöarvoa voi käyttää myös altistumisen alustavaan arviointiin.



Varoitus! Todellinen tärinän päästöarvo sähkötyökalun käytön aikana voi poiketa ilmoitetusta arvosta työkalun käyttötavasta riippuen. Tärinätasoa voi olla ilmoitettu tasoa suurempi.

Kun tärinälle altistumista arvioidaan sen määrittämiseksi, mitä direktiivin 2002/44/EY mukaisia turvatoimenpiteitä vaaditaan sähkötyökaluja säännöllisesti käyttävien henkilöiden suojelemiseksi, tärinälle altistumisen arvioinnissa on otettava huomioon todelliset käyttöolosuhteet ja työkalun

käyttötavat. Todellisen käytön lisäksi on kiinnitettävä huomiota myös siihen, milloin työkalu on sammutettuna tai se käy tyhjäkäynnillä.

Työkalun tarrat

Työkaluun on merkitty päivämääräkoodi sekä seuraavat varoitusmerkinnät:



Varoitus! Käyttäjän on luettava käyttöohje vahinkojen välttämiseksi.

Akkua ja laturia koskevat lisäturvaohjeet

Akut

- Älä koskaan yritä avata mistään syystä.
- Älä altista akkua vedelle.
- Älä säilytä akkua tiloissa, joissa lämpötila voi nousta yli 40 °C:n.
- Lataa akku paikassa, jonka lämpötila on vähintään 10 °C ja enintään 40 °C.
- Lataa akku ainoastaan työkalun mukana toimitetulla laturilla.
- Noudata akkuja hävittäessäsi kohdassa "Ympäristönsuojelu" annettuja ohjeita.

Laturit

- Käytä Stanley Fatmax -laturia vain laitteen mukana toimitetun akun lataamiseen. Muut akut voivat räjähtää ja aiheuttaa henkilövahinkoja tai aineellisia vahinkoja.
- Älä koskaan yritä ladata akkuja, joita ei ole tarkoitettu ladattaviksi.
- Vaihda vialliset johdot välittömästi ehjiin.
- Älä altista laturia vedelle.
- Älä avaa laturia.
- Älä työnnä mitään laturin sisään.

Sähköturvallisuus



Tämä laturi on kaksoiseristetty, joten erillistä maadoitusta ei tarvita. Tarkista aina, että verkkovirran jännite vastaa tyyppikilpeen merkittyä jännitettä.

- Jos virtajohto vahingoittuu, sen vaihtaminen on turvallisuussyistä jätettävä valmistajan tai valtuutetun Stanley-huollon tehtäväksi.

Ominaisuudet

1. Reunakahvajärjestelmä
2. Virtakytkin
3. Vaahtotyynypohja
4. Nopeudensäädin
5. Akku
6. Akun vapautuspainike

KOKOAMINEN JA SÄÄTÄMINEN



Varoitus! Vakavan henkilövahingon vaaran vähentämiseksi katkaise laitteesta virta ja poista akku ennen säätämistä tai varusteiden

irrottamista tai asentamista. Tahaton käynnistyminen voi johtaa henkilövahinkoihin.

Vahanlevittimen villatyynyn kiinnittäminen (Kuvat A, B, D)



VAROITUS: Jos osia puuttuu, ÄLÄ käytä tätä kiillotuskonetta ennen kuin puuttuvat osat on asennettu. Jos näin ei menetellä, seurauksena voi olla vakava tapaturma.

1. Kiinnitä vahanlevittimen tyyny (8) vaahtotyynypohjaan (3) kuvan A mukaisesti. Varmista AINA, että tyynyn pohjassa oleva joustava nauha on tiukasti kiinni vaahtotyynyn alapuolella.
2. Käytä tahnavahaa kittiveitsellä tai muulla litteällä välineellä, lisää tahnavahaa tyynyyn levittämällä teelusikallinen vahaa tasaisesti vahanlevittimen tyynyn koko pinnalle kuvan B osoittamalla tavalla.
TÄRKEÄÄ: Älä levitä vahaa suoraan ajoneuvoon.
3. Levitä nestemäistä vahaa kolme kierrosta levittimen tyynyyn. Tämän pitäisi riittää peittämään 1/4 ajoneuvon pinnasta kuvan D mukaisesti.
4. Käytä toisella, kolmannella ja neljännellä kerralla vain noin puolet ensimmäisen kerran määrästä. Tyyny ei ime tällöin yhtä paljon vahaa.

Froteekankaisen kiillotustyynyn kiinnittämisen (Kuvat C, D)

1. Aseta froteetyyny (9) vaahtotyynyn (3).
2. Varmista AINA, että tyynyn pohjassa oleva joustava nauha on tiukasti kiinni vaahtotyynyn alapuolella.
3. Levitä vahaa pyöriin liikkein kuvan D mukaisesti.

KÄYTTÄMINEN



Varoitus! Vakavan henkilövahingon vaaran vähentämiseksi katkaise laitteesta virta ja poista akku ennen säätämistä tai varusteiden irrottamista tai asentamista. Tahaton käynnistyminen voi johtaa henkilövahinkoihin.

Akun asentaminen ja poistaminen työkalusta

Akun asentaminen (Kuva E)

- Aseta akku (5) tiukasti kiinni työkaluun, kunnes kuulet napsahduksen kuvan E mukaisesti. Varmista, että akku on kokonaan paikoillaan ja lukittu paikoilleen.

Akun irrotus (Kuva E)

- Paina akun vapautuspainiketta (6) kuvan E mukaisesti ja vedä akku irti työkalusta.

Nopeudensäädin

Nopeudensäätimellä (4) säädetään kiillotuskoneen nopeutta. Käännä säädintä eteenpäin lisätäksesi nopeutta tai taaksepäin nopeuden vähentämiseksi. 1 on alhaisin asetus ja 3 on suurin asetus.

Oikeaoppinen käsien asento (Kuva F)

Varoitus! Vakavan henkilövahinkovaaran välttämiseksi on **AINA** käytettävä oikeaoppista käden asentoa kuvan mukaisesti.



Varoitus! Voit vähentää vakavan henkilövahingon vaaraa pitelemällä työkalua **AINA** tiukassa otteessa.

Käsien oikea asento tarkoittaa molempien käsien pitämistä reunakavassa (1).

Ajoneuvon vahaaminen (Kuva G)

- Ennen kuin aloitat ajoneuvon vaukauksen ja kiillotuksen, poista kaikki tieterva, ylimääräiset rasva- ja likatahtrat yleispuhdistusaineella. Kuivaa ajoneuvosi.
- Aseta kiillotuskone ajoneuvoa vasten ja kytke kiillotuskone PÄÄLLE liu'uttamalla kytkin Päällä-asentoon. Vältä vahan roiskuminen käynnistämällä ja pysäyttämällä AINA kiillotuskone kiillotettavaa pintaa vasten.
- Aloita kiillotus alhaisella nopeudella ja lisää sitten nopeutta nopeudensäätimellä (4).
- Levitä vahaava suorassa linjassa joko sivulta sivulle tai edestakaisin liikkein. Käytä AINA leveitä, tasaisia vetoja vahaava levitettäessä. Levitä vahaava ohut, tasainen kerros. Liiallinen määrä vahaava ei paranna suojaa ja vain vaikeuttaa vahan poistoa.
- Levitä vahaava ensin tasaisille pinnoille (konepelti, takakontti ja katto). Vahaava yksi osa kerrallaan.
- Kun tasaiset pinnat on käsitelty, vahaava sivut. Vahaava on helpointa levittää koko pinnalle ennen poistovaiheen aloittamista. Noudata kuitenkin käytettävän vahan tai kiillotusaineen suosituksia.
- Kun olet lopettanut vahan levittämisen levittimellä, tyynyä, SAMMUTA kiillotuskone ennen kuin poistat sen ajoneuvon pinnalta.

HUOMAA: ÄLÄ levitä liikaa vahaava tyynyyn. Liiallinen vahamäärä aiheuttaa tyynyn kyllästymisen, eikä se kestä yhtä kauan. **TÄMÄ VAIKEUTTAA KIILOTTAMISTA JA SE VIE PITEMPÄÄN.**

HUOMAA: Jos tyyny irtoaa jatkuvasti alustasta, saatat käyttää liikaa vahaava.

HUOMAA: Jos kiillotus vaikuttaa vaikealta, olet käyttänyt liikaa vahaava.

TÄRKEÄÄ: ÄLÄ kohdistaa tällä työkalulla liikaa painetta työpintaan. Tämän työkalun satunnainen kiertotoiminto toimii paremmin, kun painetta käytetään vähemmän. Liiallinen paine hidastaa satunnaista kiertoliikettä ja vähentää työkalun tehokkuutta.

TÄRKEÄÄ: Vahanlevittimen tyynyjä tulee käyttää vain kerran, minkä jälkeen ne on hävitettävä asianmukaisesti.

Kiillottaminen

Varmista, että tyyny on puhdas ja ettei siinä ole irtonaisia hiukkasia tai vieraita esineitä, jotka voivat sinkoutua tai naarmuttaa pintaa.

HUOMAA: Ole erityisen varovainen, kun viet kiillotuskoneen suurella teholla ajoneuvon rungon terävien kohteiden ja reunojen ympärille tai niiden päälle. On erittäin tärkeää käyttää oikeaa painetta, kun kiillotat ajoneuvon eri osia. Kevyttä painetta tulee esimerkiksi käyttää runkopaneelin terävien reunojen tai katon vesikourun reunojen kiillotuksen aikana.

- Odot, kunnes vahaava on kuivunut tasaiseksi pinnaksi ajoneuvossa.
- Kytke kiillotuskone PÄÄLLE.

TÄRKEÄÄ: ÄLÄ kohdistaa tällä työkalulla liikaa painetta työpintaan. Tämän työkalun satunnainen kiertotoiminto toimii paremmin, kun painetta käytetään vähemmän. Liiallinen paine hidastaa satunnaista kiertoliikettä ja vähentää työkalun tehokkuutta.

HUOMAA: Parhaan tuloksen saavuttamiseksi käytä pitkiä, pyyhkiviä vetoja ristikkäin vahaava poistaessa.

- Kiillota koko pinta, kunnes kaikki kuivunut vahaava on poistettu. Irrota tyyny ajoittain ja ravista kuivuneet vahajäämät pois. Jos tyynyssä on liikaa jäämiä, siitä muodostuu juovia. Tyyny voi olla tarpeen vaihtaa uuteen, jos et saa sitä tarpeeksi puhtaaksi juovien välttämiseksi.

HUOMAA: Suurinopeuksinen hankaus kiillotustyynyillä ajoneuvon pinnalla voi muodostaa staattista latausta työkalun metalliosiin. Tämä voi aiheuttaa erittäin lyhyen, lievän sähköiskun tunteen koskettaessa työkalun metallialuetta, ja sitä ilmenee enemmän päivinä, jolloin kosteus on alhainen. Tämä on vaaraton ilmiö, mutta työkalu tulee viedä -huoltopalveluun mahdollisten sähkövikojen tarkistamiseksi.

Ajoneuvon hoitovinkkejä

- Pese ja kiillota ajoneuvo 3–4 kertaa vuodessa varmistaaksesi maalin hyvän suojan.
- Pese ajoneuvo vähintään 2 viikon välein ajoneuvon pesuliuksella, joka ei vahingoita pintaa tai poista vahaava. VÄLTÄ pesemistä kotitalouksien pesuaineilla.
- Pese puhtaalla sienellä ja kuivaa froteepyyhkeellä estääksesi maalipinnan naarmuuntumisen liian seurauksena. Aloita ylhäältä ja työskentele alaspäin.
- Poista hyönteiset, lintujen jätökset, puiden mahla ja terva ajoneuvon pinnalta päivittäin.
- Varmista AINA ennen pesua, että ajoneuvon pinta on viileä.
- Vältä pysäköimistä sprinklerien lähelle, koska vesitahroja on vaikea poistaa.
- Pidä AINA lasinpuhdistusaineet poissa maalatuilta pinnoilta. Suihkuta puhdistusainetta pyyhkeeseen, ÄLÄ suihkuta sitä suoraan ikkunoihin.

Huolto

Tämä työkalu on suunniteltu toimimaan mahdollisimman pitkän aikaa mahdollisimman vähällä huollolla. Oikea käsittely ja säännöllinen puhdistus varmistavat laitteen ongelmattoman toiminnan.

Laturi ei vaadi huoltoa, ainoastaan säännöllisen puhdistuksen.



Varoitus! Ennen huoltamista ja puhdistamista akku on irrotettava työkalusta. Irrota laturi verkkovirrasta ennen sen puhdistamista.

- ♦ Puhdista työkalun ja laturin ilma-aukut säännöllisesti pehmeällä harjalla tai kuivalla kangasiinalla.
- ♦ Puhdista moottorikotelo säännöllisesti kostealla liinalla.

Älä käytä hiovia tai liuotinpohjaisia puhdistusaineita.

Ympäristön suojeleminen



Toimita tämä laite kierrätykseen. Tällä symbolilla merkityjä tuotteita ja akkuja ei saa hävittää tavallisen kotitalousjätteen mukana.

Tuotteissa ja akkuissa on materiaaleja, jotka voidaan ottaa talteen tai kierrättää uudelleen käyttöä varten.

Kierrätä sähkölaitteet ja akut paikallisten määräyksien mukaisesti. Lisätietoa on saatavilla osoitteessa www.2helpU.com

Tekniset tiedot

SFMCCE100		
Jännite	V_{DC}	18 V
kierrosta minuutissa	min^{-1}	2200-2800
Paino	kg	2,17

Laturi		SFMCB11	SFMCB12	SFMCB14
Tulojännite	V_{AC}	230	230	230
Lähtöjännite	V_{DC}	18	18	18
Virta	A	1,25	2	4

Akku		SFMCB201	SFMCB202	SFMCB204	SFMCB206
Jännite	V_{DC}	18	18	18	18
Kapasiteetti	Ah	1,5	2,0	4,0	6,0
Tyyppi		Li-Ion	Li-Ion	Li-Ion	Li-Ion

Äänenpainetaso standardin EN 62841 mukaisesti:
Äänenpaine (L_{w}) 53 dB(A), epävarmuus (K) 3 dB(A)
Ääniteho (L_{w}) 64 dB(A), epävarmuus (K) 3 dB(A)
Tärinän kokonaisarvo (vektorisumma) standardin EN 62841 mukaisesti:
Tärinäpäätöstarvo (a_{w}) 7,5 m/s^2 , epävarmuus (K) 1,5 m/s^2

EY-vaatimustenmukaisuusvakuutus Konedirektiivi



SFMCCE100 Kiillotuskone

Stanley ilmoittaa, että tuotteet, jotka on Kuvattu kohdassa "Tekniset tiedot" ovat seuraavien direktiivien vaatimusten mukaisia:

2006/42/EY, EN62841-1:2015, EN62841-2-4:2014.

Nämä tuotteet täyttävät myös direktiivien 2014/30/EU ja 2011/65/EU vaatimukset

Saat lisätietoja ottamalla yhteyden Stanley -palveluun. Osoitteet näkyvät käyttöohjeen takasivulla.

Allekirjoittaja vastaa teknisistä tiedoista ja antaa tämän vakuutuksen seuraavan yhtiön puolesta: Stanley.

Patrick Diepenbach

Patrick Diepenbach
General Manager, Benelux
Stanley,
Egide Walschaertsstraat 14-18
2800 Mechelen, Belgia
15.05.2022

Takuu

Stanley on vakuuttanut tuotteidensa korkeasta laadusta ja tarjoaa kuluttajille 24 kuukauden takuun, joka astuu voimaan ostopäivänä. Takuu on lisäys kuluttajan laillisiin oikeuksiin eikä se vaikuta niihin. Tämä takuu on voimassa kaikissa EU- ja ETA-maissa sekä Isossa-Britanniassa.

Edellytyksenä takuun saamiselle on, että vaade täyttää Stanley -ehdot ja että ostaja toimittaa ostotositteen jälleenmyyjälle tai valtuutetulle huoltoilikeelle. Stanley'n kahden vuoden takuun ehdot ja lähimmän valtuutetun korjauspalvelun yhteystiedot ovat saatavilla osoitteessa www.2helpU.com tai ottamalla yhteyttä paikalliseen Stanley -toimipisteeseen tässä ohjekirjassa ilmoitettuun osoitteisiin.

Käy verkkosivuillemme osoitteessa www.blackanddecker.fi ja rekisteröi uusi Stanley -tuotteesi saadaksesi tietoa uusista tuotteista ja erikoistarjouksista.

Προβλεπόμενη χρήση

Ο στίλβωτής STANLEY FATMAX SFMCE100 έχει σχεδιαστεί για γυάλισμα και στίλβωση. Αυτή η συσκευή προορίζεται για επαγγελματική και ιδιωτική, μη επαγγελματική χρήση.

Οδηγίες ασφαλείας**Γενικές προειδοποιήσεις ασφαλείας για ηλεκτρικά εργαλεία**

Προειδοποίηση! Διαβάστε όλες τις προειδοποιήσεις ασφαλείας, τις οδηγίες, τις απεικονίσεις και τις προδιαγραφές που συνοδεύουν αυτό το ηλεκτρικό εργαλείο. Η μη τήρηση οποιασδήποτε από τις οδηγίες που αναφέρονται πιο κάτω μπορεί να έχει ως αποτέλεσμα ηλεκτροπληξία, πυρκαγιά και/ή σοβαρό τραυματισμό.

Φυλάξτε όλες τις προειδοποιήσεις και τις οδηγίες για μελλοντική αναφορά. Ο όρος "ηλεκτρικό εργαλείο" στις προειδοποιήσεις, αναφέρεται σε εργαλείο που τροφοδοτείται με ρεύμα από το ηλεκτρικό δίκτυο (ρεύματος - με καλώδιο) ή σε εργαλείο που λειτουργεί με μπαταρία (μπαταρίας - χωρίς καλώδιο).

1. Ασφάλεια χώρου εργασίας

- Διατηρείτε τον χώρο εργασίας καθαρό και καλά φωτισμένο. Οι ατακτοποιητοί ή σκοτεινοί χώροι γίνονται αιτίες ατυχημάτων.
- Μη χρησιμοποιείτε ηλεκτρικά εργαλεία σε περιβάλλον όπου υπάρχει κίνδυνος έκρηξης, όπως με παρουσία εύφλεκτων υγρών, αερίων ή σκόνης. Τα ηλεκτρικά εργαλεία δημιουργούν σπινθήρες, οι οποίοι μπορεί να προκαλέσουν ανάφλεξη στη σκόνη ή τις αναθυμιάσεις.
- Όταν χρησιμοποιείτε ηλεκτρικό εργαλείο κρατάτε μακριά παιδιά και τυχόν άλλα παρευρισκόμενα άτομα. Παράγοντες που αποσπούν την προσοχή μπορεί να σας κάνουν να χάσετε τον έλεγχο.

2. Ασφαλής χρήση ηλεκτρικού ρεύματος

- Τα φως των ηλεκτρικών εργαλείων πρέπει να ταιριάζουν στην πρίζα. Δεν επιτρέπεται με κανέναν τρόπο η μετασκευή του φως. Μη χρησιμοποιείτε φως προσαρμογής με γειωμένα ηλεκτρικά εργαλεία. Τα φως που δεν έχουν υποστεί τροποποιήσεις και οι κατάλληλες πρίζες μειώνουν τον κίνδυνο ηλεκτροπληξίας.
- Αποφεύγετε την επαφή του σώματός σας με γειωμένες επιφάνειες όπως σωλήνες, σώματα καλοριφέρ, κουζίνες και ψυγεία. Υπάρχει αυξημένος κίνδυνος ηλεκτροπληξίας αν το σώμα σας είναι γειωμένο.
- Μην εκθέτετε τα ηλεκτρικά εργαλεία σε βροχή ή υγρασία. Η διείσδυση νερού σε ένα ηλεκτρικό εργαλείο αυξάνει τον κίνδυνο ηλεκτροπληξίας.

- Μην κακομεταχειρίζεστε το καλώδιο. Μη χρησιμοποιείτε ποτέ το καλώδιο για να μεταφέρετε το εργαλείο, να το τραβήξετε ή να το απασυνδέσετε από την πρίζα. Κρατάτε το καλώδιο μακριά από θερμότητα, λάδια, αιχμηρά άκρα ή κινούμενα μέρη. Τα καλώδια που έχουν υποστεί ζημιά ή είναι μπερδεμένα αυξάνουν τον κίνδυνο ηλεκτροπληξίας.
- Όταν χρησιμοποιείτε το ηλεκτρικό εργαλείο σε εξωτερικούς χώρους, χρησιμοποιείτε πάντοτε καλώδια επέκτασης κατάλληλα για χρήση σε εξωτερικούς χώρους. Η χρήση καλωδίου κατάλληλου για εργασία σε εξωτερικούς χώρους μειώνει τον κίνδυνο ηλεκτροπληξίας.
- Αν είναι αναπόφευκτη η χρήση ενός ηλεκτρικού εργαλείου σε συνθήκες υγρασίας, χρησιμοποιήστε μια διάταξη προστασίας από ρεύμα διαρροής (RCD). Η χρήση μιας διάταξης RCD μειώνει τον κίνδυνο ηλεκτροπληξίας.

3. Ατομική ασφάλεια

- Όταν χρησιμοποιείτε ηλεκτρικό εργαλείο, να είστε σε εγρήγορση, να συγκεντρώνετε στην εργασία που κάνετε και να επιστρατεύετε την κοινή λογική. Μη χρησιμοποιείτε ηλεκτρικό εργαλείο όταν είστε κουρασμένος/ή ή υπό την επήρεια ναρκωτικών, οινοπνεύματος ή φαρμακευτικής αγωγής. Μια στιγμή απροσεξίας κατά τη χρήση ηλεκτρικών εργαλείων μπορεί να επιφέρει σοβαρό τραυματισμό.
- Χρησιμοποιείτε εξοπλισμό ατομικής προστασίας. Πάντα φοράτε προστασία ματιών. Ο εξοπλισμός προστασίας, όπως μάσκα κατά της σκόνης, αντιλιοσηθικά παπούτσια ασφαλείας, κράνος ή προστασία ακοής, όταν χρησιμοποιείται για τις κατάλληλες συνθήκες, θα μειώσει τους τραυματισμούς και τις σωματικές βλάβες.
- Αποτρέψτε την ακούσια ενεργοποίηση. Βεβαιωθείτε ότι ο διακόπτης βρίσκεται στη θέση απενεργοποίησης, πριν συνδέσετε το εργαλείο στην πηγή ρεύματος και/ή τοποθετήσετε το πακέτο μπαταριών, καθώς και πριν πάρετε στα χέρια σας ή μεταφέρετε το εργαλείο. Η μεταφορά ηλεκτρικών εργαλείων με το δάχτυλο πάνω στο διακόπτη ή η σύνδεση στο ρεύμα ηλεκτρικών εργαλείων με το διακόπτη στη θέση ενεργοποίησης, ενέχει κινδύνους ατυχημάτων.
- Πριν θέσετε το ηλεκτρικό εργαλείο σε λειτουργία, αφαιρέστε τυχόν εργαλεία ή κλειδιά πάμησης. Εάν αφήσετε ένα εργαλείο ή κλειδί πάνω σε κάποιο περιστατόμενο εξάρτημα του ηλεκτρικού εργαλείου, μπορεί να προκληθούν τραυματισμοί.

- e. Μην τεντώνετε υπερβολικά. Διατηρείτε πάντα σταθερή στήριξη στα πόδια σας και καλή ισορροπία. Έτσι μπορείτε να έχετε καλύτερο έλεγχο του ηλεκτρικού εργαλείου σε μη αναμενόμενες καταστάσεις.
- f. Φοράτε κατάλληλο ρουχισμό. Μη φοράτε φαρδιά εφαρμογής ενδύματα ή κοσμήματα. Κρατάτε τα μαλλιά, τα ρούχα και τα γάντια σας σε απόσταση από κινούμενα μέρη. Τα ρούχα με φαρδιά εφαρμογή, τα κοσμήματα και τα μακριά μαλλιά μπορούν να πιαστούν σε κινούμενα μέρη.
- g. Αν παρέχονται διατάξεις για τη σύνδεση εξοπλισμού απομάκρυνσης και συλλογής της σκόνης, να βεβαιώνετε ότι αυτές έχουν συνδεθεί και χρησιμοποιούνται σωστά. Η χρήση διατάξεων συλλογής της σκόνης μπορεί να μειώσει τους κινδύνους που προέρχονται από τη σκόνη.
- h. Μην αφήνετε την εξοικείωση που έχετε αποκτήσει από τη συχνή χρήση εργαλείων να σας επιτρέψει να εφησυχάσετε ώστε να αγνοείτε τις αρχές ασφαλούς χρήσης των εργαλείων. Μια απρόσεκτη ενέργεια μπορεί να προκαλέσει βαρύ τραυματισμό μέσα σε κλάσματα του δευτερολέπτου.

4. Χρήση και φροντίδα ηλεκτρικών εργαλείων

- a. Μην υπερφορτώνετε το ηλεκτρικό εργαλείο. Χρησιμοποιείτε το σωστό ηλεκτρικό εργαλείο για την εφαρμογή σας. Το σωστό ηλεκτρικό εργαλείο θα εκτελέσει την εργασία καλύτερα και ασφαλέστερα, με την ένταση χρήσης για την οποία σχεδιάστηκε.
- b. Μη χρησιμοποιείτε το ηλεκτρικό εργαλείο αν ο διακόπτης του δεν το ενεργοποιεί και απενεργοποιεί. Οποιοδήποτε ηλεκτρικό εργαλείο του οποίου η λειτουργία δεν μπορεί να ελεγχθεί με τον διακόπτη είναι επικίνδυνο και πρέπει να επισκευαστεί.
- c. Αποσυνδέστε το φως από την πηγή ρεύματος και/ή αφαιρέστε από το ηλεκτρικό εργαλείο το πακέτο μπαταριών, αν είναι αποσπώμενο, πριν διεξάγετε οποιαδήποτε ρύθμιση, αλλαγή αξεσουάρ ή όταν πρόκειται να αποθηκεύσετε οποιοδήποτε ηλεκτρικό εργαλείο. Τέτοια προληπτικά μέτρα ασφαλείας μειώνουν το κίνδυνο αθέλητης εκκίνησης του ηλεκτρικού εργαλείου.
- d. Φυλάσσετε μακριά από παιδιά τα ηλεκτρικά εργαλεία που δεν χρησιμοποιείτε και μην αφήνετε να χρησιμοποιήσουν ηλεκτρικό εργαλείο άτομα που δεν είναι εξοικειωμένα με αυτό ή άτομα που δεν έχουν διαβάσει αυτές τις οδηγίες χρήσης. Τα ηλεκτρικά εργαλεία είναι επικίνδυνα στα χέρια μη εκπαιδευμένων χρηστών.

- e. Συντηρείτε τα ηλεκτρικά εργαλεία και τα αξεσουάρ. Ελέγχετε για προβλήματα ευθυγράμμισης ή για μάγκωμα των κινούμενων εξαρτημάτων, θραύση εξαρτημάτων, καθώς και για οποιοδήποτε άλλο πρόβλημα μπορεί να επηρεάσει τη λειτουργία των ηλεκτρικών εργαλείων. Αν το ηλεκτρικό εργαλείο έχει υποστεί ζημιά, φροντίστε να επισκευαστεί πριν το χρησιμοποιήσετε. Η ανεπαρκής συντήρηση των ηλεκτρικών εργαλείων αποτελεί αιτία πολλών ατυχημάτων.
- f. Διατηρείτε τα κοπτικά εργαλεία κοφτερά και καθαρά. Τα κατάλληλα συντηρημένα κοπτικά εργαλεία με αιχμηρά άκρα κοπής έχουν μικρότερες πιθανότητες να μαγκώσουν και ελέγχονται ευκολότερα.
- g. Χρησιμοποιείτε το ηλεκτρικό εργαλείο, τα αξεσουάρ και εξαρτήματα εργασίας του εργαλείου κλπ. σύμφωνα με τις παρούσες οδηγίες, λαμβάνοντας υπ' όψη τις συνθήκες εργασίας και την προς εκτέλεση εργασία. Η χρήση του ηλεκτρικού εργαλείου για εργασίες διαφορετικές από τις προβλεπόμενες θα μπορούσε να οδηγήσει σε επικίνδυνη κατάσταση.
- h. Διατηρείτε τις λαβές και τις επιφάνειες κρατήματος στεγνές, καθαρές και απαλλαγμένες από λάδι και γράσο. Οι ολισθηρές λαβές και επιφάνειες κρατήματος δεν επιτρέπουν τον ασφαλή χειρισμό και έλεγχο του εργαλείου σε μη αναμενόμενες καταστάσεις.

5. Χρήση και φροντίδα εργαλείων μπαταρίας

- a. Επαναφορτίζετε μόνο με τον φορτιστή που καθορίζει ο κατασκευαστής. Ένας φορτιστής που είναι κατάλληλος για ένα τύπο πακέτου μπαταριών μπορεί να δημιουργήσει κίνδυνο πυρκαγιάς αν χρησιμοποιηθεί με άλλο πακέτο μπαταριών.
- b. Χρησιμοποιείτε τα ηλεκτρικά εργαλεία αποκλειστικά και μόνο με τα καθοριζόμενα πακέτα μπαταριών. Η χρήση άλλων πακέτων μπαταριών μπορεί να προκαλέσει κίνδυνο τραυματισμού και πυρκαγιάς.
- c. Όταν ένα πακέτο μπαταριών δεν χρησιμοποιείται, μην το πλησιάζετε σε μεταλλικά αντικείμενα όπως συνδετήρες, κέρματα, κλειδιά, καρφιά, βίδες ή άλλα μικρά μεταλλικά αντικείμενα που μπορούν να βραχυκυκλώσουν τους δύο ακροδέκτες του. Η βραχυκύκλωση των ακροδεκτών της μπαταρίας μεταξύ τους μπορεί να προκαλέσει εγκαύματα ή πυρκαγιά.
- d. Αν η μπαταρία υποστεί κακομεταχείριση, μπορεί να διαρρεύσει υγρό. Αποφύγετε την επαφή. Αν κατά λάθος έρθει σε επαφή, ξεπλύνετε με νερό. Αν το υγρό έρθει σε επαφή με τα μάτια, ζητήστε

επιπλέον και ιατρική βοήθεια. Το υγρό που εξέρχεται από την μπαταρία μπορεί να προκαλέσει ερεθισμούς ή εγκαύματα.

e. Μη χρησιμοποιήσετε πακέτο μπαταριών ή εργαλείο που έχει υποστεί ζημιά ή τροποποίηση.

Οι μπαταρίες που έχουν υποστεί ζημιά ή τροποποίηση μπορεί να έχουν απρόβλεπτη συμπεριφορά, με αποτέλεσμα φωτιά, έκρηξη ή κίνδυνο τραυματισμού.

f. Μην εκθέσετε ένα πακέτο μπαταριών ή εργαλείο σε φωτιά ή υπερβολική θερμοκρασία. Η έκθεση σε φωτιά ή σε θερμοκρασία πάνω από 130 °C μπορεί να προκαλέσει έκρηξη.

g. Τηρείτε όλες τις οδηγίες φόρτισης και μη φορτίζετε το πακέτο μπαταριών ή το εργαλείο εκτός των ορίων θερμοκρασίας που ορίζονται στις προδιαγραφές. Η ακατάλληλη φόρτιση ή η φόρτιση σε θερμοκρασίες εκτός των προβλεπόμενων ορίων μπορεί να προξενήσει ζημιά στην μπαταρία και να αυξήσει τον κίνδυνο φωτιάς.

6. Σέρβις

a. Το σέρβις του ηλεκτρικού σας εργαλείου πρέπει να αναλαμβάνει έμπειρος τεχνικός που θα χρησιμοποιεί μόνο γνήσια ανταλλακτικά. Έτσι θα εξασφαλίσετε τη διατήρηση της ασφάλειας του ηλεκτρικού εργαλείου.

b. Ποτέ μην κάνετε σέρβις σε πακέτα μπαταριών που έχουν υποστεί ζημιά. Το σέρβις των πακέτων μπαταριών πρέπει να γίνεται μόνο από τον κατασκευαστή ή από εξουσιοδοτημένους παρόχους σέρβις.

Υπολειπόμενοι κίνδυνοι

Παρά την εφαρμογή των σχετικών κανονισμών ασφαλείας και την εφαρμογή διατάξεων ασφαλείας, ορισμένοι υπολειπόμενοι κίνδυνοι δεν μπορούν να αποφευχθούν. Αυτοί είναι:

- ♦ Βλάβη της ακοής.
- ♦ Κίνδυνος σωματικής βλάβης λόγω εκτινασόμενων σωματιδίων.
- ♦ Κίνδυνος εγκαυμάτων λόγω της θέρμανσης των αξεσουάρ κατά τη λειτουργία.
- ♦ Κίνδυνος σωματικής βλάβης λόγω παρατεταμένης χρήσης.

Ασφάλεια τρίτων

- ♦ Αυτό το εργαλείο δεν προορίζεται για χρήση από άτομα (στα οποία περιλαμβάνονται και τα παιδιά) με μειωμένες φυσικές, αισθητηριακές ή διανοητικές ικανότητες ή άτομα χωρίς εμπειρία και γνώσεις, παρά μόνο εφόσον επιτηρούνται ή τους έχουν δοθεί οδηγίες σχετικά με τη χρήση του εργαλείου, από άτομο υπεύθυνο για την ασφάλειά τους.

- ♦ Τα παιδιά πρέπει να επιτηρούνται, ώστε να διασφαλίζεται ότι δεν παίζουν με τη συσκευή.

Κραδασμοί

Η δηλωμένη τιμή εκπομπής κραδασμών που αναφέρεται στα τεχνικά χαρακτηριστικά και τη δήλωση συμμόρφωσης έχει μετρηθεί σύμφωνα με τυποποιημένη μέθοδο δοκιμής που προβλέπεται από το πρότυπο EN62841 και μπορεί να χρησιμοποιηθεί για τη σύγκριση ενός εργαλείου με ένα άλλο. Η δηλωμένη τιμή εκπομπής κραδασμών μπορεί επίσης να χρησιμοποιηθεί σε έναν προκαταρκτικό προσδιορισμό της έκθεσης σε κραδασμούς.



Προειδοποίηση! Η τιμή εκπομπής κραδασμών κατά την πραγματική χρήση του ηλεκτρικού εργαλείου μπορεί να διαφέρει από τη δηλωμένη τιμή, ανάλογα με τον τρόπο που χρησιμοποιείται το εργαλείο. Το επίπεδο κραδασμών μπορεί να αυξηθεί πάνω από το επίπεδο που έχει δηλωθεί.

Κατά τον προσδιορισμό της έκθεσης σε κραδασμούς για τον καθορισμό των απαιτούμενων μέτρων ασφαλείας σύμφωνα με την οδηγία 2002/44/ΕΚ για την προστασία προσώπων που χρησιμοποιούν συχνά ηλεκτρικά εργαλεία στην εργασία τους, μια προσεγγιστική εκτίμηση της έκθεσης σε κραδασμούς πρέπει να λαμβάνει υπόψη τις πραγματικές συνθήκες χρήσης και τον τρόπο χρήσης του εργαλείου, συμπεριλαμβανομένων και όλων των επιμέρους τμημάτων του κύκλου εργασίας, όπως τα χρονικά διαστήματα που το εργαλείο ήταν εκτός λειτουργίας και τα διαστήματα λειτουργίας χωρίς φορτίο, επιπλέον του χρόνου πίεσης της σκανδάλης.

Ετικέτες πάνω στο εργαλείο

Το εργαλείο φέρει τα παρακάτω προειδοποιητικά σύμβολα μαζί με τον κωδικό ημερομηνίας:



Προειδοποίηση! Για να μειωθεί ο κίνδυνος τραυματισμού, ο χρήστης πρέπει να διαβάσει το εγχειρίδιο οδηγιών.

Συμπληρωματικές οδηγίες ασφαλείας για τις μπαταρίες και τους φορτιστές Μπαταρίες

- ♦ Ποτέ μην επιχειρήσετε να ανοίξετε το προϊόν, για κανένα λόγο.
- ♦ Μην εκθέτετε την μπαταρία σε νερό.
- ♦ Μην φυλάσσετε τις μπαταρίες σε μέρη όπου η θερμοκρασία μπορεί να υπερβεί τους 40 °C.
- ♦ Η φόρτιση πρέπει να γίνεται μόνο σε θερμοκρασίες περιβάλλοντος μεταξύ 10 °C και 40 °C.
- ♦ Φορτίζετε μόνο με τον φορτιστή που παρέχεται με το εργαλείο.

- Όταν απορρίπτετε τις μπαταρίες, ακολουθήστε τις οδηγίες που δίνονται στην ενότητα "Προστασία του περιβάλλοντος".

Φορτιστές

- Χρησιμοποιείτε τον φορτιστή σας Stanley Fatmax αποκλειστικά και μόνο για τη φόρτιση της μπαταρίας του εργαλείου το οποίο συνόδευε. Άλλες μπαταρίες μπορεί να εκραγούν, προκαλώντας τραυματισμό και ζημιές.
- Μην επιχειρείτε να φορτίσετε μη επαναφορτιζόμενες μπαταρίες.
- Φροντίζετε να αντικαθίστανται άμεσα τα καλώδια που παρουσιάζουν βλάβη.
- Μην εκθέσετε τον φορτιστή σε νερό.
- Μην ανοίξετε τον φορτιστή.
- Μην εισάγετε αντικείμενα στον φορτιστή.

Ασφαλής χρήση ηλεκτρικού ρεύματος



Αυτός ο φορτιστής φέρει διπλή μόνωση, επομένως δεν απαιτείται σύρμα γείωσης. Πάντα ελέγχετε ότι η παροχή ρεύματος αντιστοιχεί στην τάση που αναφέρεται στην πινακίδα στοιχείων.

- Αν το καλώδιο ρεύματος έχει υποστεί φθορά, πρέπει να αντικατασταθεί από τον κατασκευαστή ή από ένα εξουσιοδοτημένο κέντρο σέρβις της Stanley, ώστε να μην αποτελέσει κίνδυνο.

Χαρακτηριστικά

1. Σύστημα περιμετρικής λαβής
2. Συρόμενος διακόπτης On/Off
3. Βάση πέλματος αφρώδους υλικού
4. Περιστεροφικός διακόπτης ταχύτητας
5. Μπαταρία
6. Κουμπί απελευθέρωσης μπαταρίας

ΣΥΝΑΡΜΟΛΟΓΗΣΗ ΚΑΙ ΡΥΘΜΙΣΕΙΣ



Προειδοποίηση! Για να μειώσετε τον κίνδυνο σοβαρού τραυματισμού, απενεργοποιήστε τη μονάδα και αφαιρέστε το πακέτο μπαταριών πριν πραγματοποιήσετε οποιεσδήποτε ρυθμίσεις ή αφαιρέσετε/εγκαταστήσετε προσαρτήματα ή αξεσουάρ. Τυχόν αθέλητη εκκίνηση μπορεί να προκαλέσει τραυματισμό.

Σύνδεση μάλλινου καλύμματος εφαρμογής κεριού (Εικ. Α, Β, D)



ΠΡΟΕΙΔΟΠΟΙΗΣΗ: Αν λείπουν οποιαδήποτε εξαρτήματα, ΜΗ χρησιμοποιείτε αυτή τη συσκευή γυαλισματος/ στίλβωσης έως ότου αντικατασταθούν τα εξαρτήματα που λείπουν. Σε αντίθετη περίπτωση θα μπορούσε να προκύψει σοβαρός τραυματισμός.

1. Συνδέστε το κάλυμμα εφαρμογής κεριού (8) στη βάση πέλματος αφρώδους υλικού (3) όπως δείχνει η Εικ. Α. ΠΑΝΤΑ να βεβαιώνετε ότι η ελαστική λωρίδα στο κάτω

μέρος του καλύμματος έχει στερεωθεί με ασφάλεια στην κάτω πλευρά του πέλματος αφρώδους υλικού.

2. Για κερί σε πάστα, χρησιμοποιήστε μια λεπτή σπάτουλα ή οποιοδήποτε άλλο επίπεδο αντικείμενο, εφαρμόστε την πάστα κεριού στο κάλυμμα απλώνοντας ποσότητα μιας κουταλιάς του γλυκού ομοιόμορφα σε όλη την επιφάνεια του καλύμματος εφαρμογής κεριού, όπως δείχνει η Εικ. Β. **ΣΗΜΑΤΙΚΟ:** Μην εφαρμόζετε κερί απευθείας πάνω στο όχημα.
3. Για υγρό κερί, εφαρμόστε τρεις κύκλους υγρού κεριού πάνω στο κάλυμμα εφαρμογής. Αυτό θα πρέπει να είναι αρκετό να καλύψει το 1/4 του οχήματος όπως δείχνει η Εικ. D.
4. Για τις επόμενες εφαρμογές, δεύτερη, τρίτη και τέταρτη, χρησιμοποιήστε μόνο περίπου τη μισή ποσότητα σε σχέση με την πρώτη εφαρμογή. Το κάλυμμα δεν θα απορροφήσει τόσο πολύ κερί σε σχέση με την πρώτη εφαρμογή.

Σύνδεση καλύμματος στίλβωσης από πετσετέ ύφασμα (Εικ. C, D)

1. Τοποθετήστε το κάλυμμα από πετσετέ ύφασμα (9) πάνω στο πέλμα αφρώδους υλικού (3).
2. ΠΑΝΤΑ να βεβαιώνετε ότι η ελαστική λωρίδα στο κάτω μέρος του καλύμματος έχει στερεωθεί με ασφάλεια στην κάτω πλευρά του πέλματος αφρώδους υλικού.
3. Εφαρμόστε κερί σε κυκλική κίνηση όπως δείχνει η Εικ. D.

ΛΕΙΤΟΥΡΓΙΑ



Προειδοποίηση! Για να μειώσετε τον κίνδυνο σοβαρού τραυματισμού, απενεργοποιήστε τη μονάδα και αφαιρέστε το πακέτο μπαταριών πριν πραγματοποιήσετε οποιεσδήποτε ρυθμίσεις ή αφαιρέσετε/εγκαταστήσετε προσαρτήματα ή αξεσουάρ. Τυχόν αθέλητη εκκίνηση μπορεί να προκαλέσει τραυματισμό.

Εισαγωγή και αφαίρεση του πακέτου μπαταριών από το εργαλείο

Για να εγκαταστήσετε το πακέτο μπαταριών (Εικ. E)

- Εισαγάγετε το πακέτο μπαταριών (5) σταθερά στο εργαλείο, έως ότου ακούσετε ήχο κλικ όπως δείχνει η εικόνα E. Βεβαιωθείτε ότι το πακέτο μπαταριών έχει εδράσει πλήρως και έχει ασφαλίσει πλήρως στη θέση του.

Για να αφαιρέσετε το πακέτο μπαταριών (Εικ. E)

- Πιέστε το κουμπί απελευθέρωσης μπαταρίας (6) όπως δείχνει η εικόνα E και τραβήξτε το πακέτο μπαταριών έξω από το εργαλείο.

Περιστροφικός επιλογέας ταχύτητας

Ο περιστροφικός επιλογέας ταχύτητας (4) αλλάζει την ταχύτητα του στίλβωτή. Περιστρέψτε τον επιλογέα προς τα εμπρός για να αυξήσετε την ταχύτητα ή προς τα πίσω για να μειώσετε την ταχύτητα. 1 είναι η πιο αργή ρύθμιση και 3 η πιο γρήγορη ρύθμιση.

Σωστή τοποθέτηση των χεριών (Εικ. F)



Προειδοποίηση! Για να μειώσετε τον κίνδυνο σοβαρού τραυματισμού, **ΠΑΝΤΑ** να χρησιμοποιείτε σωστή θέση των χεριών όπως δείχνει η εικόνα.



Προειδοποίηση! Για να μειώσετε τον κίνδυνο σοβαρού τραυματισμού, **ΠΑΝΤΑ** κρατάτε σταθερά το εργαλείο, σε αναμονή απότομης αντίδρασης.

Για τη σωστή τοποθέτηση των χεριών απαιτούνται και τα δύο χέρια στην περιμετρική λαβή (1).

Εφαρμογή κεριού σε όχημα (Εικ. G)

1. Πριν αρχίσετε την εφαρμογή κεριού, το γυάλισμα και τη στίλβωση του οχήματος, αφαιρέστε όλα τα υπολείμματα πίσσας, καθαρίστε τα σημεία με πολύ γράσο και τους λεκέδες από έντομα χρησιμοποιώντας ένα καθαριστικό γενικής χρήσης. Στεγνώστε το όχημά σας.
2. Τοποθετήστε τη συσκευή γυαλίσματος/στίλβωσης πάνω στο όχημα και ενεργοποιήστε τη μετακινώντας τον συρόμενο διακόπτη στη θέση ενεργοποίησης. Για να αποφύγετε το πιστόλισμα του κεριού, **ΠΑΝΤΑ** ξεκινάτε και σταματάτε τη λειτουργία της συσκευής γυαλίσματος/στίλβωσης πάνω στην επιφάνεια που θα επεξεργαστείτε.
3. Ξεκινήστε το γυάλισμα σε χαμηλή ταχύτητα και κατόπιν αυξήστε την ταχύτητα χρησιμοποιώντας τον περιστροφικό επιλογέα ταχύτητας (4).
4. Εφαρμόστε το κερί σε ευθεία γραμμή με μια κίνηση από πλευρά σε πλευρά ή εμπρός-πίσω. **ΠΑΝΤΑ** χρησιμοποιείτε μεγάλες, ομαλές κινήσεις όταν εφαρμόζετε το κερί. Εφαρμόζετε το κερί σε μια λεπτή, ομοιόμορφη στρώση. Η υπερβολική ποσότητα κεριού δεν προσφέρει περισσότερη προστασία και το μόνο που κάνει είναι να δυσχεραίνει την αφαίρεση του κεριού στο επόμενο στάδιο.
5. Εφαρμόζετε πρώτα κερί στις επίπεδες επιφάνειες (καπό κινητήρα, κάλυμμα πορτμπαγκάζ και οροφή). Εφαρμόζετε κερί μόνο σε ένα τμήμα τη φορά.
6. Αφού καλύψετε τις επίπεδες επιφάνειες, εφαρμόστε κερί στις πλευρές. Το ευκολότερο είναι να εφαρμόσετε πρώτα το κερί σε ολόκληρη την επιφάνεια πριν αρχίσετε τη φάση αφαίρεσης. Ωστόσο, ακολουθείτε τις ειδικές υποδείξεις του κεριού ή του στίλβωτικού παράγονται που χρησιμοποιείτε.
7. Όταν έχετε τελειώσει την εφαρμογή κεριού με το κάλυμμα εφαρμογής, **ΣΒΗΣΤΕ** τη συσκευή γυαλίσματος/στίλβωσης πριν την αφαιρέσετε από την επιφάνεια του οχήματος.

ΣΗΜΕΙΩΣΗ: ΜΗ χρησιμοποιείτε υπερβολική ποσότητα κεριού στο κάλυμμα. Η χρήση υπερβολικής ποσότητας κεριού

προκαλεί κορεσμό του καλύμματος και μείωση της διάρκειας ζωής του. **ΑΥΤΟ ΚΑΝΕΙ ΤΗ ΣΤΙΛΒΩΣΗ ΔΥΣΚΟΛΟΤΕΡΗ ΚΑΙ ΑΥΞΑΝΕΙ ΤΟΝ ΧΡΟΝΟ ΕΡΓΑΣΙΑΣ.**

ΣΗΜΕΙΩΣΗ: Αν το κάλυμμα τείνει να φεύγει συνεχώς από το πέλμα, ίσως χρησιμοποιείτε υπερβολική ποσότητα κεριού.

ΣΗΜΕΙΩΣΗ: Αν δυσκολεύεστε στο γυάλισμα, ίσως έχετε χρησιμοποιήσει υπερβολική ποσότητα κεριού.

ΣΗΜΑΝΤΙΚΟ: ΜΗΝ εφαρμόζετε υπερβολική πίεση στην επιφάνεια εργασίας με αυτό το εργαλείο. Η λειτουργία τυχαίας ελλειψοειδούς κίνησης που διαθέτει αυτό το εργαλείο θα έχει καλύτερα αποτελέσματα όταν ασκείται μικρότερη πίεση. Η εφαρμογή υπερβολικής πίεσης θα επιβραδύνει την τυχαία ελλειψοειδή κίνηση και θα μειώσει την αποτελεσματικότητα του εργαλείου.

ΣΗΜΑΝΤΙΚΟ: Τα κάλυμματα εφαρμογής κεριού θα πρέπει να χρησιμοποιούνται μόνο μία φορά και μετά να απορρίπτονται με κατάλληλο τρόπο.

Γυάλισμα και στίλβωση

Βεβαιωθείτε ότι το κάλυμμα είναι καθαρό και δεν έχει πάνω του σωματίδια ή άλλα ξένα αντικείμενα που θα μπορούσαν να πεταχτούν ή να χαράξουν το φινιρίσμα

ΣΗΜΕΙΩΣΗ: Πρέπει να προσέχετε εξαιρετικά κατά τη στίλβωση με ηλεκτρικό εργαλείο γύρω ή πάνω από αιχμηρά αντικείμενα και καμπύλες επιφάνειες του αμαξώματος αυτοκινήτου. Είναι πολύ σημαντικό να χρησιμοποιείτε τη σωστή πίεση ενώ στίλβωντε διάφορα μέρη του αμαξώματος του οχήματος. Για παράδειγμα, θα πρέπει να ασκείτε ελαφρά πίεση όταν στίλβωντε σε περιοχές με αιχμηρές ακμές λαμαρινών του οχήματος ή πάνω από ακμές του λουκιού απορροής κατά μήκος του πάνω μέρους.

1. Περιμένετε έως ότου το κερί έχει στεγνώσει έως μια ομοιόμορφη θαμπάδα στο όχημα.
2. Ενεργοποιήστε τη συσκευή γυαλίσματος/στίλβωσης.

ΣΗΜΑΝΤΙΚΟ: ΜΗΝ εφαρμόζετε υπερβολική πίεση στην επιφάνεια εργασίας με αυτό το εργαλείο. Η λειτουργία τυχαίας ελλειψοειδούς κίνησης που διαθέτει αυτό το εργαλείο θα έχει καλύτερα αποτελέσματα όταν ασκείται μικρότερη πίεση. Η εφαρμογή υπερβολικής πίεσης θα επιβραδύνει την τυχαία ελλειψοειδή κίνηση και θα μειώσει την αποτελεσματικότητα του εργαλείου.

ΣΗΜΕΙΩΣΗ: Για τα καλύτερα αποτελέσματα, χρησιμοποιείτε μεγάλο μήκους κινήσεις σάρωσης σε σταυρωτό μοτίβο, όταν αφαιρείτε το κερί.

3. Γυαλίστε και στίλβωστε ολόκληρη την επιφάνεια έως ότου αφαιρεθεί όλο το στεγνυμένο κερί. Κατά διαστήματα αφαιρείτε το κάλυμμα και νινάζετε τα κατάλοιπα στεγνυμένου κεριού. Ένα κάλυμμα που έχει πάνω του πολλά κατάλοιπα θα προκαλέσει γραμμές στο φινιρίσμα. Μπορεί να χρειαστεί να αντικαταστήσετε το κάλυμμα με νέο αν δεν μπορείτε να το καθαρίσετε αρκετά για να μην προκαλεί γραμμές.

ΣΗΜΕΙΩΣΗ: Η υψηλής ταχύτητας δράση τριβής του καλύμματος στίλβωσης πάνω στην επιφάνεια ενός

αυτοκινήτου μπορεί να προκαλέσει στατική φόρτιση στα μεταλλικά τμήματα του εργαλείου. Αυτό μπορεί να δώσει την αίσθηση μιας σύντομης ελαφράς ηλεκτρικής εκφόρτισης όταν αγγίξετε τη μεταλλική περιοχή του εργαλείου, και αυτό θα είναι πιο αισθητό μέρες που η υγρασία είναι χαμηλή. Αυτό είναι ένα ακίνδυνο φαινόμενο αλλά συνιστούμε να φέρετε το εργαλείο σε ένα κέντρο σέρβις όπου θα ελεγχθεί για να διασφαλιστεί ότι δεν υπάρχουν ηλεκτρική βλάβη.

Συμβουλές φροντίδας οχημάτων

- Πλένετε και σπινώνετε το όχημα 3 έως 4 φορές το χρόνο για να βοηθήτε να διασφαλίζεται η προστασία της βαφής.
- Πλένετε το όχημα τουλάχιστον κάθε 2 εβδομάδες με ένα διάλυμα καθαρισμού οχημάτων που δεν θα προκαλέσει βλάβη στο φινιρίσμα και δεν θα αφαιρέσει το κερί. ΑΠΟΦΕΥΓΕΤΕ το πλύσιμο με οικιακά απορρυπαντικά.
- Πλένετε με ένα καθαρό σφουγγάρι και στεγνώνετε με ένα πανί από πετσέτε ύφασμα για να αποφύγετε το χάραγμα της βαφής από ακαθαρσίες. Ξεκινήστε από το πάνω μέρος και προχωρήστε προς τα κάτω.
- Σε καθημερινή βάση αφαιρείτε από την επιφάνεια του αυτοκινήτου έντομα, περιπτώματα πτηνών, χυμούς δένδρων και πίσσα.
- ΠΑΝΤΑ να βεβαιώνετε ότι η επιφάνεια του οχήματος έχει κρυσώσει, πριν την πλύνετε.
- Αποφεύγετε να σταθμεύετε κοντά σε ψεκαστήρες ποτίματος επειδή οι κηλίδες από νερό είναι δύσκολο να αφαιρεθούν.
- ΠΑΝΤΑ κρατάτε τα χημικά καθαρισμού τζαμιών μακριά από βαμμένες επιφάνειες. Ψεκάζετε το καθαριστικό πάνω σε μια πετσέτα, ΟΧΙ απευθείας πάνω στα παράθυρα.

Συντήρηση

Αυτό το εργαλείο έχει σχεδιαστεί ώστε να λειτουργεί για μεγάλο χρονικό διάστημα με την ελάχιστη δυνατή συντήρηση. Η συνεχής ικανοποιητική λειτουργία εξαρτάται από τη σωστή φροντίδα και τον τακτικό καθαρισμό.

Ο φορτιστής σας δεν χρειάζεται οποιαδήποτε συντήρηση πέραν του τακτικού καθαρισμού.



Προειδοποίηση! Πριν πραγματοποιήσετε οποιαδήποτε συντήρηση στο εργαλείο, αφαιρέστε την μπαταρία από το εργαλείο. Πριν καθαρίσετε τον φορτιστή, αποσυνδέστε τον από την πρίζα.

- Καθαρίζετε τακτικά τις εγχοπές εξεαρισμού του εργαλείου και του φορτιστή χρησιμοποιώντας μια μαλακή βούρτσα ή ένα στεγνό πανί.
- Καθαρίζετε τακτικά το περίβλημα του μοτέρ με ένα ελαφρά υγρό πανί. Μη χρησιμοποιείτε λειαντικά υγρά καθαρισμού ή καθαριστικά που περιέχουν διαλυτικά.

Προστασία του περιβάλλοντος



Χωριστή συλλογή. Τα προϊόντα και οι μπαταρίες που επισημαίνονται με αυτό το σύμβολο δεν πρέπει να απορρίπτονται μαζί με τα κανονικά οικιακά απορρίμματα.

Τα προϊόντα και οι μπαταρίες περιέχουν υλικά που μπορούν να ανακτηθούν ή να ανακυκλωθούν ώστε να μειωθούν οι ανάγκες για πρώτες ύλες.

Παρακαλούμε να ανακυκλώνετε τα ηλεκτρικά προϊόντα και τις μπαταρίες σύμφωνα με τους τοπικούς κανονισμούς. Περισσότερες πληροφορίες διατίθενται στον ιστότοπο www.2helpU.com

Τεχνικά χαρακτηριστικά

SFMCCE100		
Τάση	V_{DC}	18 V
Αριθμός στροφών	min^{-1}	2200-2800
Βάρος	kg	2,17

Φορτιστής		SFMCB11	SFMCB12	SFMCB14
Τάση εισόδου	V_{AC}	230	230	230
Τάση εξόδου	V_{DC}	18	18	18
Ρεύμα	A	1,25	2	4

Μπαταρία		SFMCB201	SFMCB202	SFMCB204	SFMCB206
Τάση	V_{DC}	18	18	18	18
Χωρητικότητα	Ah	1,5	2,0	4,0	6,0
Τύπος		Ιόντων λιθίου	Ιόντων λιθίου	Ιόντων λιθίου	Ιόντων λιθίου

Στάθμη ηχητικής πίεσης κατά EN 62841:

Ηχητική πίεση (L_{p}) 53 dB(A), αβεβαιότητα (K) 3 dB(A)

Ηχητική ισχύς (L_{w}) 64 dB(A), αβεβαιότητα (K) 3 dB(A)

Συνολικές τιμές κραδασμών (διανυσματικό άθροισμα τριών αξόνων) κατά EN 62841:

Τιμή εκπομπής κραδασμών ($a_{h,w}$) 7,5 m/s^2 , αβεβαιότητα (K) 1,5 m/s^2

Δήλωση συμμόρφωσης ΕΚ Οδηγία σχετικά με τα μηχανήματα



SFMCE100 Στιλβωτής

στο www.2helpU.com, ή επικοινωνώντας με το τοπικό σας γραφείο Stanley στη διεύθυνση που υποδεικνύεται στο παρόν εγχειρίδιο.

Παρακαλούμε επισκεφθείτε την ιστοσελίδα μας www.blackanddecker.gr για να καταχωρίσετε το νέο σας προϊόν Stanley και για να ενημερώνεστε για τα νέα προϊόντα και τις ειδικές προσφορές.

Η Stanley δηλώνει ότι τα προϊόντα αυτά που περιγράφονται στα "τεχνικά χαρακτηριστικά" συμμορφώνονται με τα ακόλουθα:

2006/42/ΕΚ, EN62841-1:2015, EN62841-2-4:2014.

Αυτά τα προϊόντα συμμορφώνονται επίσης με τις οδηγίες 2014/30/ΕΕ και 2011/65/ΕΕ

Για περισσότερες πληροφορίες, παρακαλείστε να επικοινωνήσετε με τη Stanley στην παρακάτω διεύθυνση ή να ανατρέξετε στο πίσω μέρος του εγχειριδίου.

Ο κάτωθι υπογεγραμμένος είναι υπεύθυνος για την κατάρτιση του τεχνικού φακέλου και δηλώνει τα παρόντα εκ μέρους της Stanley.

Patrick Diepenbach

Patrick Diepenbach
Γενικός Διευθυντής Μπενελούξ
Stanley,
Egide Walschaertsstraat 14-18
2800 Mechelen, Belgium (Βέλγιο)
15.05.2022

Εγγύηση

Η Stanley είναι σίγουρη για την ποιότητα των προϊόντων της και προσφέρει στους καταναλωτές εγγύηση 24 μηνών από την ημερομηνία αγοράς. Αυτή η εγγύηση αποτελεί πρόσθετο δικαίωμά σας και δεν ζημιώνει τα νόμιμα δικαιώματά σας. Η εγγύηση ισχύει εντός της επικράτειας των χωρών μελών της Ευρωπαϊκής Ένωσης, της Ευρωπαϊκής Ζώνης Ελεύθερων Συναλλαγών και του Ηνωμένου Βασιλείου.

Για να υποβάλετε αξίωση βάσει της εγγύησης, η αξίωση θα πρέπει να είναι σύμφωνη με τους Όρους και τις Προϋποθέσεις της Stanley και θα χρειαστεί να υποβάλετε απόδειξη αγοράς στον πωλητή ή σε εξουσιοδοτημένο αντιπρόσωπο επισκευών. Μπορείτε να αποκτήσετε τους Όρους και προϋποθέσεις της εγγύησης 2 ετών της Stanley και να μάθετε την τοποθεσία του πλησιέστερου εξουσιοδοτημένου αντιπροσώπου επισκευών στο Internet

België/Belgique	STANLEY FATMAX E. Walschaertstraat 14-16 2800 Mechelen Belgium	De. Tel. +32 70 220 065 Fr. Tel. +32 70 220 066 Fax +32 15 473 799 www.stanleytools.eu Enduser.be@SBDinc.com
Danmark	STANLEY FATMAX Farveland 1B 2600 Glostrup	Tel. 70 20 15 10 Fax 70 22 49 10 www.stanleyworks.dk
Deutschland	STANLEY FATMAX Richard Klinger Str. 11, D - 65510 Idstein	Tel. 06126 21-1 Fax 06126 21-2770
Ελλάδα	STANLEY FATMAX. Στράβωνος 7 & Λεωφ. Βουλιαγμένης 159 Γλυφάδα 166 74 - Αθήνα	Τηλ. +30 210 8981-616 Φαξ +30 210 8983-285 www.stanleyworks.gr
España	STANLEY FATMAX. Parc de Negocis "Mas Blau" Edificio Muntadas, c/Bergadá, 1, Of. A6 08820 El Prat de Llobregat (Barcelona)	Tel. 934 797 400 Fax 934 797 419 respuesta.postventa@sbdinc.com www.stanleyworks.es
France	STANLEY FATMAX 5 allée des Hêtres B.P. 30084 69579 Limonest Cédex	Tel. 04 72 20 39 20 Fax 04 72 20 39 00 www.stanleyouillage.fr
Helvetia	STANLEY FATMAX In der Luberzen 40 8902 Urdorf	Tel. 01 730 67 47 Fax 01 730 70 67 www.stanleyworks.de
Italia	STANLEY FATMAX EnergyPark-Building 03 sud, Via Monza 7/A 20871 Vimercate (MB)	Tel. 039-9590200 Fax 039-9590313 www.stanley.it
Nederland	STANLEY FATMAX Joulehof 12, 4600 RG Bergen op Zoom	Tel. +31 164 283 065 Fax +31 164 283 200 Enduser.NL@SBDinc.com
Norge	STANLEY FATMAX Postboks 4613, Nydalen 0405 Oslo	Tlf. 45 25 13 00 Fax 45 25 08 00
Österreich	STANLEY FATMAX Oberlaaerstraße 248, A-1230 Wien	Tel. 01 66116-0 Fax 01 66116-614 www.stanleyworks.de
Portugal	STANLEY FATMAX Centro de Escritórios de Sintra Avenida Almirante Gago Coutinho, 132/134, Edifício 142710-418 Sintra 2710-418 Lisboa	Tel. 214667500 Fax 214667575 resposta.posvenda@sbdinc.com
Suomi	STANLEY FATMAX Tekniikantie 12, 02150 Espoo	Puh. 010 400 430 Faksi 0800 411 340 www.stanleyworks.fi
Sverige	STANLEY FATMAX Box 94, 431 22 Mölndal	Tel. 031-68 61 00 Fax 031-68 60 08
Türkiye	STANLEY FATMAX KALE Hirdavat ve Makina A.Ş. Deftardar Mah. Savaklar Cad. No:15 Edirnekapı / Eyüp / İSTANBUL 34050	Puh. 0212 533 52 55 Faks 0212 533 10 05 www.stanleyworks.fi
United Kingdom	STANLEY FATMAX 270 Bath Road Slough, Berkshire SL1 4DX	Tel. +44 (0)1753 511234 Fax +44 (0)1753 551155 www.stanleytools.co.uk
Middle East & Africa	STANLEY FATMAX P.O.Box - 17164 Jebel Ali (South Zone), Dubai, UAE	Tel. +971 4 8127400 Fax +971 4 8127036 www.stanleyworks.ae