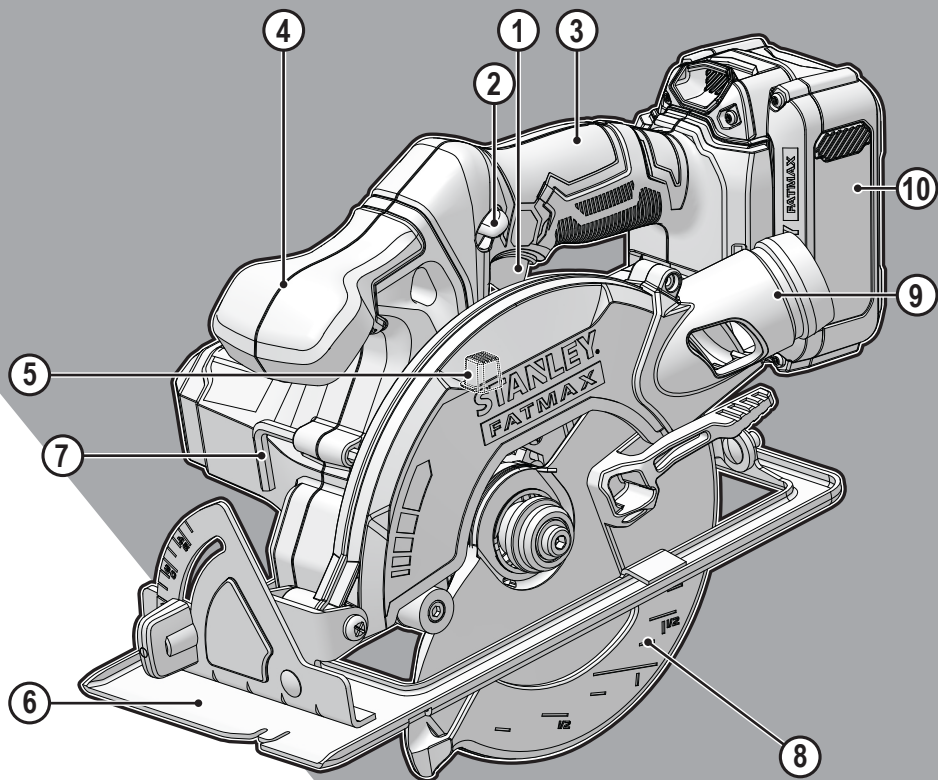
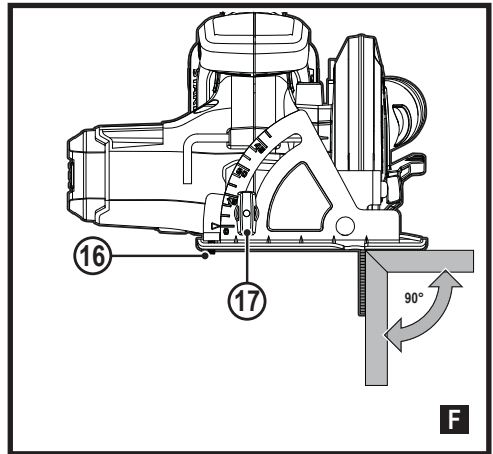
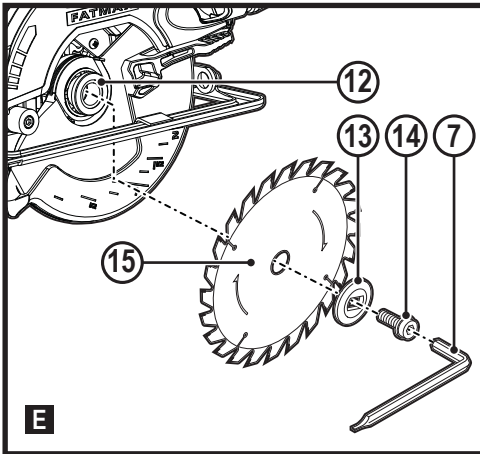
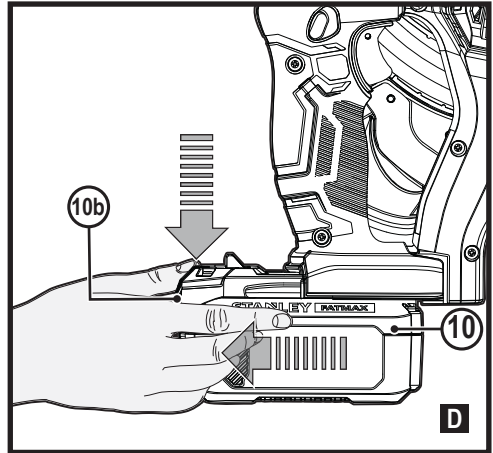
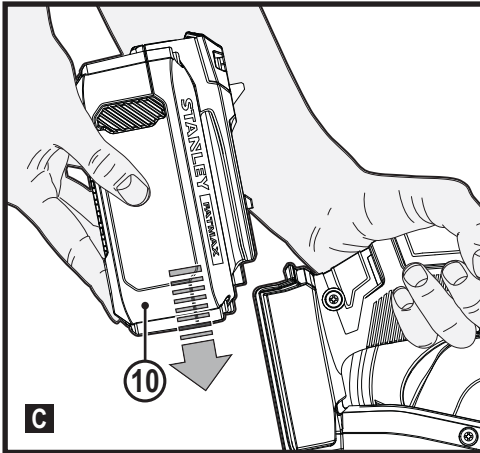
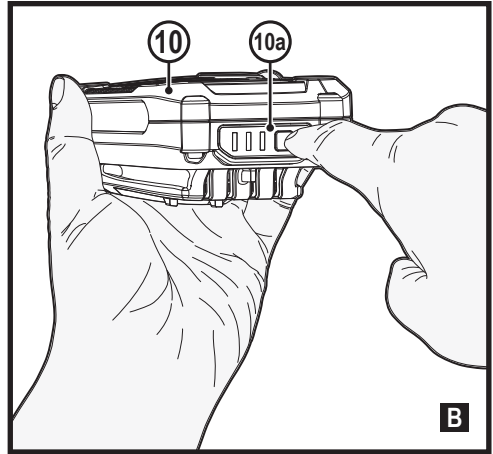
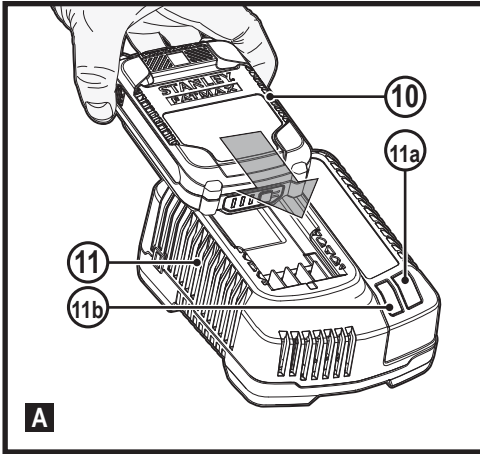


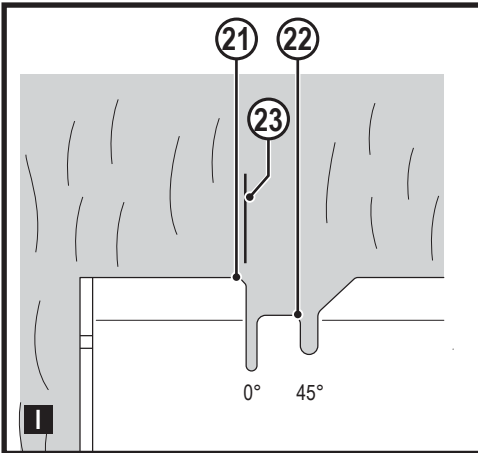
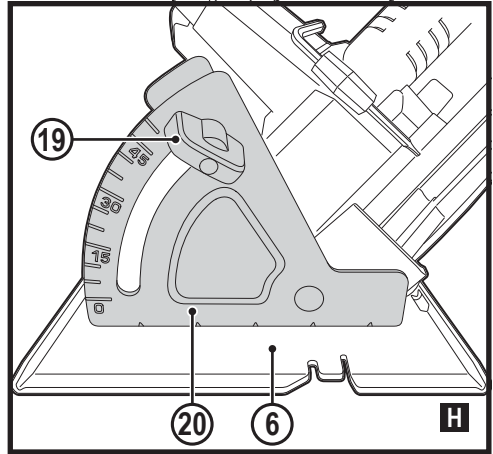
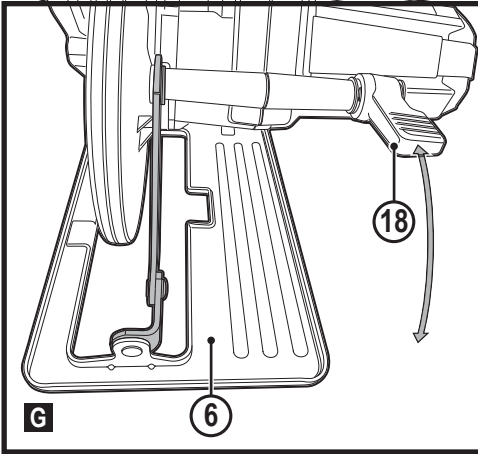
STANLEY[®] FATMAX[®] V20 LITHIUM ION



www.stanley.eu

SFMCS500





The term "power tool" in all of the warnings listed below refers to your mains operated (corded) power tool or battery operated (cordless) power tool.

1. Work area safety

- Keep work area clean and well lit.** Cluttered or dark areas invite accidents.
- Do not operate power tools in explosive atmospheres, such as in the presence of flammable liquids, gases or dust.** Power tools create sparks which may ignite the dust or fumes.
- Keep children and bystanders away while operating a power tool.** Distractions can cause you to lose control.

2. Electrical safety

- Power tool plugs must match the outlet. Never modify the plug in any way. Do not use any adapter plugs with earthed (grounded) power tools.** Unmodified plugs and matching outlets will reduce risk of electric shock.
- Avoid body contact with earthed or grounded surfaces such as pipes, radiators, ranges and refrigerators.** There is an increased risk of electric shock if your body is earthed or grounded.
- Do not expose power tools to rain or wet conditions.** Water entering a power tool will increase the risk of electric shock.
- Do not abuse the cord. Never use the cord for carrying, pulling or unplugging the power tool. Keep cord away from heat, oil, sharp edges or moving parts.** Damaged or entangled cords increase the risk of electric shock.
- When operating a power tool outdoors, use an extension cord suitable for outdoor use.** Use of a cord suitable for outdoor use reduces the risk of electric shock.

Intended use

Your STANLEY FATMAX SFMCS500 circular saw has been designed for for sawing wood and wood products. This tool is intended for professional and private, non professional users.

Safety instructions

General power tool safety warnings



Warning! Read all safety warnings, instructions, illustrations and specifications provided with this power tool. Failure to follow all instructions listed below may result in electric shock, fire and/or serious injury.

Save all warnings and instructions for future reference.

- f. **If operating a power tool in a damp location is unavoidable, use a residual current device (RCD) protected supply.** Use of an RCD reduces the risk of electric shock.
- 3. Personal safety**
- a. **Stay alert, watch what you are doing and use common sense when operating a power tool. Do not use a power tool while you are tired or under the influence of drugs, alcohol or medication.** A moment of inattention while operating power tools may result in serious personal injury.
- b. **Use personal protective equipment. Always wear eye protection.** Protective equipment such as dust mask, non-skid safety shoes, hard hat, or hearing protection used for appropriate conditions will reduce personal injuries.
- c. **Prevent unintentional starting. Ensure the switch is in the off-position before connecting to power source and/or battery pack, picking up or carrying the tool.** Carrying power tools with your finger on the switch or energising power tools that have the switch on invites accidents.
- d. **Remove any adjusting key or wrench before turning the power tool on.** A wrench or a key left attached to a rotating part of the power tool may result in personal injury.
- e. **Do not overreach. Keep proper footing and balance at all times.** This enables better control of the power tool in unexpected situations.
- f. **Dress properly. Do not wear loose clothing or jewellery. Keep your hair and clothing away from moving parts.** Loose clothes, jewellery or long hair can be caught in moving parts.
- g. **If devices are provided for the connection of dust extraction and collection facilities, ensure these are connected and properly used.** Use of dust collection can reduce dust-related hazards.
- h. **Do not let familiarity gained from frequent use of tools allow you to become complacent and ignore tool safety principles.** A careless action can cause severe injury within a fraction of a second.
- 4. Power tool use and care**
- a. **Do not force the power tool. Use the correct power tool for your application.** The correct power tool will do the job better and safer at the rate for which it was designed.
- b. **Do not use the power tool if the switch does not turn it on and off.** Any power tool that cannot be controlled with the switch is dangerous and must be repaired.
- c. **Disconnect the plug from the power source and/or remove the battery pack, if detachable, from the power tool before making any adjustments, changing accessories, or storing power tools.** Such preventive safety measures reduce the risk of starting the power tool accidentally.
- d. **Store idle power tools out of the reach of children and do not allow persons unfamiliar with the power tool or these instructions to operate the power tool.** Power tools are dangerous in the hands of untrained users.
- e. **Maintain power tools and accessories. Check for misalignment or binding of moving parts, breakage of parts and any other condition that may affect the power tools operation. If damaged, have the power tool repaired before use.** Many accidents are caused by poorly maintained power tools.
- f. **Keep cutting tools sharp and clean.** Properly maintained cutting tools with sharp cutting edges are less likely to bind and are easier to control.
- g. **Use the power tool, accessories and tool bits etc. in accordance with these instructions, taking into account the working conditions and the work to be performed.** Use of the power tool for operations different from those intended could result in a hazardous situation.
- h. **Keep handles and grasping surfaces dry, clean and free from oil and grease. Slippery handles and grasping surfaces do not allow for safe handling and control of the tool in unexpected situations.**
- 5. Battery tool use and care**
- a. **Recharge only with the charger specified by the manufacturer.** A charger that is suitable for one type of battery pack may create a risk of fire when used with another battery pack.
- b. **Use power tools only with specifically designated battery packs.** Use of any other battery packs may create a risk of injury and fire.
- c. **When battery pack is not in use, keep it away from other metal objects, like paper clips, coins, keys, nails, screws, or other small metal objects, that can make a connection from one terminal to another.** Shorting the battery terminals together may cause burns or a fire.
- d. **Under abusive conditions, liquid may be ejected from the battery; avoid contact. If contact accidentally occurs, flush with water. If liquid contacts eyes, additionally seek medical help.** Liquid ejected from the battery may cause irritation or burns.
- e. **Do not use a battery pack or tool that is damaged or modified.** Damaged or modified batteries may exhibit unpredictable behaviour resulting in fire, explosion or risk of injury.

- f. Do not expose a battery pack or tool to fire or excessive temperature. Exposure to fire or temperature above 130 °C may cause explosion.
 - g. Follow all charging instructions and do not charge the battery pack or tool outside the temperature range specified in the instructions. Charging improperly or at temperatures outside the specified range may damage the battery and increase the risk of fire.
6. Service
- a. Have your power tool serviced by a qualified repair person using only identical replacement parts. This will ensure that the safety of the power tool is maintained.
 - b. Never service damaged BATTERY packs. Service of BATTERY packs should only be performed by the manufacturer or authorized service providers.

Additional Safety instructions for all saws

Cutting procedures

- DANGER! Keep hands away from cutting area and the blade. Keep your second hand on auxiliary handle, or motor housing. If both hands are holding the saw, they cannot be cut by the blade.
- Do not reach underneath the workpiece. The guard cannot protect you from the blade below the workpiece.
- Adjust the cutting depth to the thickness of the workpiece. Less than a full tooth of the blade teeth should be visible below the workpiece.
- Never hold piece being cut in your hands or across your leg. Secure the workpiece to a stable platform. It is important to support the work properly to minimize body exposure, blade binding, or loss of control.
- Hold the power tool by insulated gripping surfaces only, when performing an operation where the cutting tool may contact hidden wiring. Contact with a "live" wire will also make exposed metal parts of the power tool "live" and could give the operator an electric shock.
- When ripping, always use a rip fence or straight edge guide. This improves the accuracy of cut and reduces the chance of blade binding.
- Always use blades with correct size and shape (diamond versus round) of arbour holes. Blades that do not match the mounting hardware of the saw will run eccentrically, causing loss of control.
- Never use damaged or incorrect blade washers or bolt. The blade washers and bolt were specially designed for your saw, for optimum performance and safety of operation.

Further safety instructions for all saws

Kickback causes and related warnings

- kickback is a sudden reaction to a pinched, bound or misaligned saw blade, causing an uncontrolled saw to lift up and out of the workpiece toward the operator;
- when the blade is pinched or bound tightly by the kerf closing down, the blade stalls and the motor reaction drives the unit rapidly back toward the operator;
- if the blade becomes twisted or misaligned in the cut, the teeth at the back edge of the blade can dig into the top surface of the wood causing the blade to climb out of the kerf and jump back toward the operator.

Kickback is the result of saw misuse and/or incorrect operating procedures or conditions and can be avoided by taking proper precautions as given below.

- a. Maintain a firm grip with both hands on the saw and position your arms to resist kickback forces. Position your body to either side of the blade, but not in line with the blade. Kickback could cause the saw to jump backwards, but kickback forces can be controlled by the operator, if proper precautions are taken.
- b. When blade is binding, or when interrupting a cut for any reason, release the trigger and hold the saw motionless in the material until the blade comes to a complete stop. Never attempt to remove the saw from the work or pull the saw backward while the blade is in motion or kickback may occur. Investigate and take corrective actions to eliminate the cause of blade binding.
- c. When restarting a saw in the workpiece, centre the saw blade in the kerf and check that saw teeth are not engaged into the material. If saw blade is binding, it may walk up or kickback from the workpiece as the saw is restarted.
- d. Support large panels to minimise the risk of blade pinching and kickback. Large panels tend to sag under their own weight. Supports must be placed under the panel on both sides, near the line of cut and near the edge of the panel.
- e. Do not use dull or damaged blades. Unsharpened or improperly set blades produce narrow kerf causing excessive friction, blade binding and kickback.
- f. Blade depth and bevel adjusting locking levers must be tight and secure before making cut. If blade adjustment shifts while cutting, it may cause binding and kickback.
- g. Use extra caution when sawing into existing walls or other blind areas. The protruding blade may cut objects that can cause kickback.

Lower guard function

a. Check lower guard for proper closing before each use.

Do not operate the saw if lower guard does not move freely and close instantly. Never clamp or tie the lower guard into the open position. If saw is accidentally dropped, lower guard may be bent. Raise the lower guard with the retracting handle and make sure it moves freely and does not touch the blade or any other part, in all angles and depths of cut.

b. Check the operation of the lower guard spring. If the guard and the spring are not operating properly, they must be serviced before use.

Lower guard may operate sluggishly due to damaged parts, gummy deposits, or a build-up of debris.

c. Lower guard may be retracted manually only for special cuts such as "plunge cuts" and "compound cuts".

Raise lower guard by retracting handle and as soon as blade enters the material, the lower guard must be released. For all other sawing, the lower guard should operate automatically.

d. Always observe that the lower guard is covering the blade before placing saw down on bench or floor.

An unprotected, coasting blade will cause the saw to walk backwards, cutting whatever is in its path. Be aware of the time it takes for the blade to stop after switch is released.

Safety of others

- This tool is not intended for use by persons (including children) with reduced physical, sensory or mental capabilities, or lack of experience and knowledge, unless they have been given supervision or instruction concerning use of the appliance by a person responsible for their safety.
- Children should be supervised to ensure that they do not play with the appliance.

Residual risks

Additional residual risks may arise when using the tool which may not be included in the enclosed safety warnings. These risks can arise from misuse, prolonged use etc.

Even with the application of the relevant safety regulations and the implementation of safety devices, certain residual risks can not be avoided. These include:

- Injuries caused by touching any rotating/moving parts.
- Injuries caused when changing any parts, blades or accessories.
- Injuries caused by prolonged use of a tool. When using any tool for prolonged periods ensure you take regular breaks.
- Impairment of hearing.
- Health hazards caused by breathing dust developed when using your tool (example:- working with wood, especially oak, beech and MDF.)

Vibration

The declared vibration emission values stated in the technical data and the declaration of conformity have been measured in accordance with a standard test method provided by EN62841 and may be used for comparing one tool with another.

The declared vibration emission value may also be used in a preliminary assessment of exposure.



Warning! The vibration emission value during actual use of the power tool can differ from the declared value depending on the ways in which the tool is used. The vibration level may increase above the level stated.

When assessing vibration exposure to determine safety measures required by 2002/44/EC to protect persons regularly using power tools in employment, an estimation of vibration exposure should consider, the actual conditions of use and the way the tool is used, including taking account of all parts of the operating cycle such as the times when the tool is switched off and when it is running idle in addition to the trigger time.

Saw blades

- Do not use blades of larger or smaller diameter than recommended. For the proper blade rating refer to the technical data. Use only the blades specified in this manual, complying with EN 847-1.
- **Warning!** Never use abrasive wheels.

Labels on tool

The following pictograms along with the date code are shown on the tool:



Warning! To reduce the risk of injury, the user must read the instruction manual.

Additional safety instructions for batteries and chargers

Batteries

- Never attempt to open for any reason.
- Do not expose the battery to water.
- Do not store in locations where the temperature may exceed 40 °C.
- Charge only at ambient temperatures between 10 °C and 40 °C.
- Charge only using the charger provided with the tool.
- When disposing of batteries, follow the instructions given in the section "Protecting the environment".

Chargers

- Use your STANLEY FATMAX charger only to charge the battery in the tool with which it was supplied. Other batteries could burst, causing personal injury and damage.

- Never attempt to charge non-rechargeable batteries.
- Have defective cords replaced immediately.
- Do not expose the charger to water.
- Do not open the charger.
- Do not probe the charger.



The charger is intended for indoor use only.



Read the instruction manual before use.



Do not attempt to charge damaged batteries.

Electrical safety



Your charger is double insulated; therefore no earth wire is required. Always check that the mains voltage corresponds to the voltage on the rating plate. Never attempt to replace the charger unit with a regular mains plug.

- If the supply cord is damaged, it must be replaced by the manufacturer or an authorised STANLEY FATMAX Service Centre in order to avoid a hazard.



Warning! Never attempt to replace the charger unit with a regular mains plug.

Features

This appliance includes some or all of the following features.

1. On/off switch
2. Lock-off button
3. Main handle
4. Secondary handle
5. Spindle lock button
6. Shoe
7. Allen key
8. Lower guard
9. Saw dust outlet
10. Battery

Use



Warning! Let the tool work at its own pace. Do not overload.

Charging the battery (Fig. A)

The battery needs to be charged before first use and whenever it fails to produce sufficient power on jobs that were easily done before. The battery may become warm while charging; this is normal and does not indicate a problem.






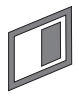


Warning! Do not charge the battery at ambient temperatures below 10 °C or above 40 °C. Recommended charging temperature: approx. 24 °C.

Note: The charger will not charge a battery if the cell temperature is below approximately 10 °C or above 40 °C. The battery should be left in the charger and the charger will begin to charge automatically when the cell temperature warms up or cools down.

Note: To ensure maximum performance and life of lithium-ion battery packs, charge the battery pack fully before first use.

- Plug the charger (11) into an appropriate outlet before inserting battery pack (10).
- The green charging light (11a) will blink continuously indicating that the charging process has started.
- The completion of charge will be indicated by the green charging light (11a) remaining ON continuously. The battery pack (10) is fully charged and may be removed and used at this time or left in the charger (11).
- Charge discharged batteries within 1 week. Battery life will be greatly diminished if stored in a discharged state.

Charger LED Modes

	Charging: Green LED Intermittent	
	Fully Charged: Green LED Solid	
	Hot/Cold Pack Delay: Green LED Intermittent Red LED Solid	

Note: The compatible charger(s) will not charge a faulty battery pack. The charger will indicate a faulty battery pack by refusing to light.

Note: This could also mean a problem with a charger. If the charger indicates a problem, take the charger and battery pack to be tested at an authorized service centre.

Leaving the battery in the charger

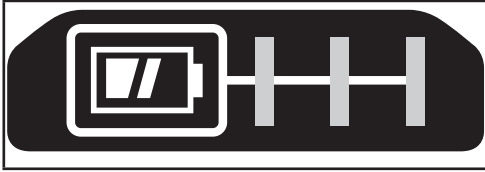
The charger and battery pack can be left connected with the LED glowing indefinitely. The charger will keep the battery pack fresh and fully charged.

Hot/Cold Pack Delay

When the charger detects a battery that is too hot or too cold, it automatically starts a Hot/Cold Pack Delay, the green LED (11a) will flash intermittently, while the red LED (11b) will remain on continuously, suspending charging until the battery has reached an appropriate temperature. The charger then automatically switches to the pack charging mode. This feature ensures maximum battery life.

Battery state of charge indicator (Fig. B)

The battery includes a state of charge indicator to quickly determine the extent of battery life as shown in figure B. By pressing the state of charge button (10a) you can easily view the charge remaining in the battery as illustrated in figure B.



Installing and Removing the Battery Pack from the tool



Warning! Make certain the lock-off button is engaged to prevent switch actuation before removing or installing battery.

To install battery pack (Fig. C)

- Insert battery pack firmly into tool until an audible click is heard as shown in figure C. Ensure battery pack is fully seated and fully latched into position.

To remove battery pack (Fig. D)

- Depress the battery release button (10b) as shown in figure D and pull battery pack out of tool.

Removing and fitting a saw blade (Fig. E)

Removing

- Keep the spindle lock button (5) depressed and rotate the blade until the spindle lock engages.
- Loosen and remove the blade retaining screw (14) by turning it clockwise using the Allen key (7) supplied.
- Remove the outer washer (13).
- Remove the saw blade (15).

Fitting

- Place the saw blade (15) onto the inner flange (12), making sure that the arrow on the blade points in the same direction as the arrow on the tool.
- Fit the outer washer (13) on the spindle, with the raised part pointing away from the saw blade.
- Insert the blade retaining screw (14) into the hole.
- Keep the spindle lock button (5) depressed.
- Securely tighten the blade retaining screw by turning it counterclockwise using the Allen key (7) supplied.

Adjusting the sawing angle (Fig. F)

Use a square to check that the angle between the saw blade (15) and the shoe is 90°. If the angle does not measure 90° adjust as follows:

- Loosen the locking knob (17) to unlock the saw shoe.
- Loosen the locknut on the adjusting screw (16).
- Screw the adjusting screw in or out to achieve a 90° angle.
- Retighten the locknut.
- Tighten the locking knob to lock the saw shoe in place.

Adjusting the depth of cut (Fig. G)

The depth of cut should be set according to the thickness of the workpiece. It should exceed the thickness by approx. 2 mm.

- Loosen the knob (18) to unlock the saw shoe.
- Move the saw shoe (6) into the desired position.
- Tighten the knob to lock the saw shoe in place.

Adjusting the bevel angle (Fig. H)

This tool can be set to bevel angles between 0° and 45°.

- Loosen the locking knob (19) to unlock the saw shoe.
- Move the saw shoe (6) into the desired position.

The corresponding bevel angle can be read from the scale (20).

- Tighten the locking knob to lock the saw shoe in place.

Switching on and off

- To switch the tool on, press down the lock-off button (2) and squeeze the on/off switch (1).
- To switch the tool off, release the on/off switch.

Sawing

Always hold the tool with both hands.

- Let the blade run freely for a few seconds before starting the cut.
- Apply only a gentle pressure to the tool while performing the cut.
- Work with the shoe pressed against the workpiece.

Note: Take care not to allow the blade tips to overheat.

Using the sight guide (Fig. I)

The tool is equipped with a sight guide for straight cutting (21) and for 45° bevel cutting (22).

- Align the left edge of the guides (21) or (22) with the cutting line (23).
- Keep the sight guide aligned with the cutting line while sawing.
- Work with the shoe pressed against the workpiece.

Dust extraction

An adaptor is required to connect a vacuum cleaner or dust extractor to the tool.

- Insert the dust extraction adaptor into the saw dust outlet (9).
- Connect the vacuum cleaner hose to the adaptor.

Hints for optimum use

- Always use the appropriate type of saw blade for the workpiece material and type of cut.
- Always hold the tool with both hands.
- Let the blade run freely for a few seconds before starting the cut.
- Apply only a gentle pressure to the tool while performing the cut.
- Work with the shoe pressed against the workpiece.
- As some splintering along the line of cut on the top side of the workpiece cannot be avoided, cut on the side where splintering is acceptable.
- Where splintering is to be minimised, e.g. when cutting laminates, clamp a piece of plywood onto the top of the workpiece.
- Support large panels to minimize the risk of blade pinching and kickback. Large panels tend to sag under their own weight.
- Supports must be placed under the panel on both sides, near the line of cut and near the edge of the panel being cut.
- Never hold piece being cut in your hands or across your leg.
- Secure the workpiece to a stable platform using clamps. It is important to support the work properly to minimize body exposure, blade binding, or loss of control.

Accessories

The performance of your tool depends on the accessory used. STANLEY FATMAX accessories are engineered to high quality standards and designed to enhance the performance of your tool. By using these accessories you will get the very best from your tool.

Maintenance

Your STANLEY FATMAX tool has been designed to operate over a long period of time with a minimum of maintenance. Continuous satisfactory operation depends upon proper tool care and regular cleaning.

Your charger does not require any maintenance apart from regular cleaning.



Warning! Before performing any maintenance on the tool, remove the battery from the tool. Unplug the charger before cleaning it.

- Regularly clean the ventilation slots in your tool and charger using a soft brush or dry cloth.
- Regularly clean the motor housing using a damp cloth.
- Do not use any abrasive or solvent-based cleaner.

Mains plug replacement (U.K. & Ireland only)

If a new mains plug needs to be fitted:

- Safely dispose of the old plug.

- Connect the brown lead to the live terminal in the new plug.
- Connect the blue lead to the neutral terminal.



Warning! No connection is to be made to the earth terminal.



Follow the fitting instructions supplied with good quality plugs.

Recommended fuse: 5 A.

Protecting the environment



Separate collection. Products and batteries marked with this symbol must not be disposed of with normal household waste.

Products and batteries contain materials that can be recovered or recycled reducing the demand for raw materials. Please recycle electrical products and batteries according to local provisions. Further information is available at www.2helpU.com

Technical data

		SFMC500
Voltage	V_{DC}	18V
No-load speed	Min ⁻¹	0 - 4,000
Max. depth of cut	mm	54
Max depth of cut at 45° bevel	mm	45
Blade diameter	mm	165
Blade bore	mm	16
Blade tip width	mm	2.0
Weight	kg	3.4

Charger		SFMCB11	SFMCB12	SFMCB14
Input Voltage	V_{AC}	230	230	230
Output Voltage	V_{DC}	18	18	18
Current	A	1.25	2	4

Battery		SFMCB201	SFMCB202	SFMCB204	SFMCB206
Voltage	V_{DC}	18	18	18	18
Capacity	Ah	1.5	2.0	4.0	6.0
Type		Li-Ion	Li-Ion	Li-Ion	Li-Ion

Level of sound pressure according to EN62841:

Sound pressure (L_{pA}) 86 dB(A), uncertainty (K) 3 dB(A)

Sound power (L_{WA}) 97 dB(A), uncertainty (K) 3 dB(A)

Vibration total values (triax vector sum) according to EN62841:

Cutting wood ($a_{h,w}$) 1.6 m/s², uncertainty (K) 1.5 m/s²

EC declaration of conformity

MACHINERY DIRECTIVE



SFMCS500 - Circular saw

STANLEY FATMAX declares that these products described under EN62841-1:2015, EN62841-2-5:2014.

These products also comply with Directive 2006/42/EC, 2014/30/EU and 2011/65/EU. For more information, please contact STANLEY FATMAX at the following address or refer to the back of the manual.

For more information, please contact STANLEY FATMAX at the following address or refer to the back of the manual. The undersigned is responsible for compilation of the technical file and makes this declaration on behalf of STANLEY FATMAX.

A handwritten signature in black ink, appearing to read 'Ed Higgins', written in a cursive style.

Ed Higgins

Director – Consumer Power Tools
STANLEY FATMAX Europe, Egide Walschaertsstraat14-18,
2800 Mechelen, Belgium
18/11/2019

Guarantee

STANLEY FATMAX is confident of the quality of its products and offers consumers a 12 month guarantee from the date of purchase. This guarantee is in addition to and in no way prejudices your statutory rights. The guarantee is valid within the territories of the Member States of the European Union and the European Free Trade Area.

To claim on the guarantee, the claim must be in accordance with STANLEY FATMAX Terms and Conditions and you will need to submit proof of purchase to the seller or an authorised repair agent. Terms and conditions of the STANLEY FATMAX 1 year guarantee and the location of your nearest authorised repair agent can be obtained on the Internet at www.2helpU.com, or by contacting your local STANLEY FATMAX office at the address indicated in this manual.

Please visit our website www.stanleytools.eu/3 to register
Please visit our website www.stanleytools.eu/3 to register your new STANLEY FATMAX product and receive updates on new products and special offers.

Назначение

Дисковая пила STANLEY FATMAX SFMCS500 предназначена для пиления древесины и изделий из древесины. Данный инструмент предназначен для профессионального использования, а также для бытового использования частными пользователями.

Правила техники безопасности

Общие правила безопасности при работе с электроинструментом



Внимание! Прочтите все правила техники безопасности, инструкции, иллюстрации и спецификации по данному электроинструменту. Несоблюдение всех нижеприведенных инструкций может стать причиной поражения электрическим током, возгорания и/или тяжелой травмы.

Сохраните все инструкции для последующего обращения к ним. Термин «электроинструмент» во всех приведенных ниже предупреждениях относится к питаемому от электросети (проводному) или от аккумуляторных батарей (беспроводному) электроинструменту.

1. Безопасность на рабочем месте

- a. Следите за чистотой и хорошим освещением на рабочем месте. Беспорядок или плохое освещение на рабочем месте могут стать причиной несчастного случая.
- b. Запрещается работать с электроинструментами во взрывоопасных местах, например, вблизи легковоспламеняющихся жидкостей, газов и пыли. Искры, которые появляются при работе электроинструментов могут привести к воспламенению пыли или паров.
- c. Следите за тем, чтобы во время работы с электроинструментом в зоне работы не было посторонних и детей. Отвлекаясь от работы вы можете потерять контроль над инструментом.

2. Электробезопасность

- a. Штепсельная вилка электроинструмента должна соответствовать розетке. Никогда не меняйте вилку инструмента. Запрещается использовать переходники к вилкам для электроинструментов с заземлением. Использование оригинальных штепсельных вилок, соответствующих типу сетевой розетки снижает риск поражения электрическим током.

- b. Избегайте контакта с заземленными поверхностями, такими как трубы, радиаторы и холодильники. Если вы будете заземлены, увеличивается риск поражения электрическим током.
 - c. Запрещается оставлять электроинструмент под дождем и в местах повышенной влажности. При попадании воды в электроинструмент риск поражения электротоком возрастает.
 - d. Берегите кабель от повреждений. Никогда не используйте кабель для переноски электроинструмента, не тяните за него, пытайтесь отключить инструмент от сети. Держите кабель подальше от источников тепла, масла, острых углов или движущихся предметов. Поврежденный или запутанный кабель питания повышает риск поражения электрическим током.
 - e. При работе с электроинструментом на открытом воздухе используйте удлинитель, подходящий для использования на улице. Использование кабеля питания, предназначенного для использования вне помещения, снижает риск поражения электрическим током.
 - f. Если использование электроинструмента в условиях повышенной влажности неизбежно, используйте устройства защитного отключения (УЗО) для защиты сети. Использование УЗО снижает риск поражения электрическим током.
- #### 3. Обеспечение индивидуальной безопасности
- a. При работе с электроинструментом сохраняйте бдительность, следите за своими действиями и пользуйтесь здравым смыслом. Запрещается работать с электроинструментом в состоянии усталости, наркотического, алкогольного опьянения или под воздействием лекарственных препаратов. Невнимательность при работе с электроинструментом может привести к серьезным травмам.
 - b. Используйте средства индивидуальной защиты. Всегда надевайте защитные очки. Средства защиты, такие как пылезащитная маска, обувь с нескользящей подошвой, каска и защитные наушники, используемые при работе, уменьшают риск получения травм.
 - c. Примите меры для предотвращения случайного включения. Перед тем как подключить электроинструмент к сети и/или аккумуляторной батарее, взять инструмент или перенести его в другое место, убедитесь в том, что выключатель находится в положении «Выкл.». Если при переноске электроинструмент оставлять

- подключенным к сети электропитания, и при этом ваш палец будет находиться на выключателе, это может стать причиной несчастных случаев.
- d. **Уберите все регулировочные или гаечные ключи перед включением электроинструмента.** Ключ, оставленный на вращающейся части электроинструмента, может травмировать.
- e. **Не пытайтесь дотянуться до слишком удаленных поверхностей. Всегда твердо стойте на ногах, сохраняя равновесие.** Это позволит лучше контролировать электроинструмент в непредвиденных ситуациях.
- f. **Одевайтесь соответствующим образом. Не носите свободную одежду и ювелирные украшения.** Следите за тем, чтобы волосы и одежда не попадали под движущиеся детали. Возможно наматывание свободной одежды, ювелирных изделий и длинных волос на движущиеся детали.
- g. **При наличии устройств для подключения оборудования для удаления и сбора пыли необходимо обеспечить правильность их подключения и эксплуатации.** Использование устройства для пылеудаления сокращает риски, связанные с пылью.
- h. **Не допускайте самонадеянности и игнорирования правил техники безопасности даже при большом опыте работы с инструментом.** Небрежное действие может повлечь серьезные травмы за долю секунды.
4. **Эксплуатация электроинструмента и уход за ним**
- a. **Избегайте чрезмерной нагрузки электроинструмента. Используйте электроинструмент в соответствии с назначением.** Правильно подобранный электроинструмент выполнит работу более эффективно и безопасно при стандартной нагрузке.
- b. **Не пользуйтесь инструментом, если не работает выключатель.** Любой инструмент, управляемый выключением и включением которого невозможно, представляет опасность и подлежит ремонту.
- c. **Перед любой регулировкой, сменой дополнительных принадлежностей или перед уборкой инструмента на хранение, отключите его от сети и/или снимите аккумуляторную батарею, если ее можно снять.** Такие превентивные меры безопасности снижают риск случайного включения электроинструмента.
- d. **Храните электроинструмент в недоступном для детей месте и не позволяйте работать с инструментом людям, не имеющим соответствующих навыков работы с такого рода инструментами.** Электроинструмент представляет опасность в руках неопытных пользователей.
- e. **Поддерживайте электроинструмент и насадки в исправном состоянии. Проверьте движущиеся детали на точность совмещения или заклинивание, наличие поломок или каких-либо других условий, которые могут повлиять на эксплуатацию электроинструмента. В случае обнаружения повреждений, прежде чем приступить к эксплуатации электроинструмента, его следует отремонтировать.** Большинство несчастных случаев происходит из-за электроинструментов, которые не обслуживаются должным образом.
- f. **Следите за остротой заточки и чистотой режущих принадлежностей.** Вероятность заклинивания инструмента, за который следят должным образом и который хорошо заточен, значительно меньше, и работать с ним легче.
- g. **Используйте данный электроинструмент, а также дополнительные приспособления и насадки в соответствии с данными инструкциями и с учетом условий и специфики работы.** Использование электроинструмента для выполнения операций, для которых он не предназначен, может привести к возникновению опасной ситуации.
- h. **Все рукоятки и поверхности захватывания должны быть сухими и без следов смазки. Скользкие рукоятки и поверхности захватывания не обеспечивают должную безопасность работы и управления инструментом в непредвиденных ситуациях.**
5. **Использование инструментов с аккумуляторами и уход за ними**
- a. **Используйте для зарядки аккумуляторной батареи только указанное производителем зарядное устройство.** Использование зарядного устройства определенного типа для зарядки других батарей может привести к возгоранию.
- b. **Используйте для электроинструмента только батареи указанного типа.** Использование других аккумуляторных батарей может стать причиной травмы и пожара.
- c. **Держите не используемую аккумуляторную батарею подальше от металлических предметов, таких как скрепки, монеты, ключи, гвозди, шурупы, и других мелких металлических предметов, которые могут замкнуть контакты батареи.** Короткое замыкание контактов аккумуляторной батареи может привести к пожару или ожогу.
- d. **При повреждении аккумуляторной батареи, из нее может вытечь электролит. При случайном контакте с электролитом смойте его водой. При попадании электролита в глаза обратитесь за медицинской**

помощью. Жидкость, находящаяся внутри аккумуляторной батареи, может вызвать раздражение или ожоги.

- e. **Не используйте поврежденные или измененные аккумуляторные батареи или инструменты.** Поврежденные или измененные аккумуляторные батареи могут работать непредсказуемо, что может привести к возгоранию, взрыву или риску получения травм.
- f. **Не подвергайте аккумуляторные батареи или инструмент воздействию огня или повышенной температуры.** Открытый огонь или воздействие высокой температуры выше 130 °C может привести к взрыву.
- g. **Следуйте всем инструкциям по зарядке и не заряжайте аккумуляторную батарею или инструмент вне температурного диапазона, указанного в инструкции.** Неправильная зарядка или зарядка вне указанного температурного диапазона может привести к повреждению батареи и увеличить риск возгорания.
6. **Сервисное обслуживание**
 - a. **Обслуживание электроинструмента должен проводить квалифицированный специалист с использованием только оригинальных запасных частей.** Это позволит обеспечить безопасность обслуживаемого инструмента.
 - b. **Не выполняйте обслуживание поврежденных АККУМУЛЯТОРНЫХ БАТАРЕЙ.** Обслуживание АККУМУЛЯТОРНЫХ БАТАРЕЙ должно выполняться только производителем или авторизованными поставщиками услуг.

Дополнительные инструкции по технике безопасности для всех видов пил

Порядок распиливания

- **ОПАСНО!** Держите руки на расстоянии от области распила и диска. Держите вторую руку на дополнительной рукоятке или на корпусе двигателя. Если пила удерживается обеими руками, вероятность пореза рук диском исключается.
- Не держите руки под обрабатываемой деталью. Защитный кожух не защищает руки от касания диска под заготовкой.
- Отрегулируйте глубину резки в соответствии с толщиной обрабатываемой детали. Под заготовкой должно быть видно менее полной высоты зубца диска.

- **Никогда не удерживайте разрезаемую деталь в руках или прижав ее к ноге.** Зафиксируйте обрабатываемую деталь на неподвижной опоре. Необходимо надлежащим образом закрепить обрабатываемую деталь для снижения риска получения травмы, заклинивания диска или потери контроля.
- **Удерживайте электроинструменты только за изолированные ручки при выполнении работ, во время которых имеется вероятность контакта режущего инструмента со скрытой электропроводкой.** Контакт с проводом под напряжением приводит к подаче напряжения на соприкасающиеся с ним металлические детали электроинструмента и к поражению оператора электрическим током.
- **При выполнении продольного распила всегда используйте направляющий упор или прямую направляющую для кромки.** Это повышает точность распила и снижает вероятность заклинивания диска.
- **Всегда используйте диски с посадочными отверстиями соответствующего размера и формы (ромбовидные или круглые).** Диски, которые не соответствуют крепежным приспособлениям пилы, будут вращаться несимметрично относительно центра, что может привести к потере управления.
- **Ни в коем случае не используйте поврежденные или несоответствующие шайбы или болты для дисков.** Шайбы и болты для дисков были разработаны специально для данной пилы с целью обеспечения оптимальной производительности и безопасности во время работы.

Дальнейшие инструкции для всех пил

Причины обратного удара и меры по его предотвращению

- **обратный удар** представляет собой внезапную реакцию на защемление, застревание или смещение пильного диска, что приводит к неконтролируемому подъему пилы из заготовки в направлении оператора;
- если пильный диск зажимается или застревает в пропиле, он останавливается, а реакция электродвигателя приводит к тому, что инструмент быстро смещается в направлении оператора;

- если пильный диск перекашивается или смещается в пропиле, зубья на его задней кромке могут войти в верхнюю часть деревянной детали, что приведет к выходу диска из пропила и его скачку в направлении оператора.

Обратный удар является результатом использования пилы не по назначению и/или неправильных действий оператора и условий работы, и его можно избежать, соблюдая следующие меры безопасности.

- Прочно удерживайте пилу обеими руками таким образом, чтобы иметь возможность погасить энергию отдачи. Ваше тело должно находиться сбоку от пильного диска, а не на одной прямой с ним. Обратный удар может привести к отскакиванию пилы назад, но оператор может гасить эту энергию, при условии соблюдения надлежащих мер.**
- В случае заклинивания диска или в случае прекращения распиловки по любой причине, отпустите курковый пусковой выключатель и удерживайте пилу неподвижно в заготовке до полной остановки диска. Никогда не пытайтесь вытащить пилу из заготовки или потянуть пилу назад во время вращения диска, это может привести к отдаче. Выясните причину и примите надлежащие меры по устранению причины заклинивания диска.**
- При перезапуске пилы в детали отцентрируйте пильный диск в пропиле и убедитесь в том, что пильные зубья не касаются материала. Если диск заклинил, он может подскочить вверх или ударить назад при повторном запуске пилы.**
- Поддерживайте большие панели, чтобы снизить риск защемления или заклинивания диска. Большие заготовки прогибаются под тяжестью собственного веса. Опору нужно поставить под обе стороны панели, около линии реза и около края панели.**
- Не используйте тупые или поврежденные диски. Тупые или неправильно установленные диски образуют узкий пропил, что приводит к повышенному трению, заклиниванию диска и образованию обратного удара.**
- Рычаги настройки глубины пропила и угла наклона перед началом работы должны быть натянуты и зафиксированы. В случае сбоя регулировки диска во время работы может произойти заклинивание и обратный удар.**
- Соблюдайте повышенную осторожность при выполнении врезного пиления стен или в других слепых зонах. Выступающий диск может**

разрезать посторонние предметы, что, в свою очередь, может привести к образованию обратного удара.

Нижний защитный кожух

- Перед каждым использованием проверяйте, правильно ли закрыт нижний защитный кожух. Не пользуйтесь пилой, если нижний защитный кожух не перемещается свободно. Никогда не зажимайте и не подвешивайте нижний защитный кожух в открытом положении. При падении пилы нижний защитный кожух может погнуться. Поднимите нижний защитный кожух при помощи втягивающей рукоятки и убедитесь в том, что защитный кожух перемещается свободно и не соприкасается с диском или другими деталями при любых углах и глубине распила.**
- Проверьте функционирование и состояние возвратной пружины нижнего защитного кожуха. Если защитный кожух и пружина не работают должным образом, то перед использованием пилы необходимо устранить неисправности. Нижний защитный кожух может перемещаться замедленно из-за повреждения деталей, отложения клейких веществ или скопления мусора.**
- Нижний защитный кожух может быть втянут вручную только при выполнении специальных разрезов, например, для врезных и комбинированных распилов. Поднимите нижний защитный кожух при помощи втягивающей рукоятки, а когда диск соприкоснется с материалом, опустите защитный кожух. Для всех других типов распила нижний защитный кожух должен работать в автоматическом режиме.**
- Прежде чем класть пилу на верстак или на пол, всегда убеждайтесь, что нижний защитный кожух закрывает диск. Незащищенный диск во время выбега приведет к смещению пилы назад и пилению всех находящихся на траектории движения предметов. Помните, что после отпущения выключателя требуется некоторое время для полной остановки диска.**

Безопасность окружающих

- Данный инструмент не предназначен для использования лицами (включая детей) с ограниченными физическими, сенсорными или умственными способностями, а также лицами без достаточного опыта и знаний, если они не находятся под наблюдением лица, отвечающего за их безопасность, или не получают от такого лица указания по использованию инструмента.
- Не позволяйте детям играть с данным инструментом.

Остаточные риски

При работе с инструментом возможно возникновение дополнительных остаточных рисков, которые не вошли в описанные здесь правила техники безопасности. Это может произойти при неправильной эксплуатации или продолжительном использовании инструмента и т. п. Несмотря на соблюдение соответствующих инструкций по технике безопасности и использование предохранительных устройств, некоторые остаточные риски невозможно полностью исключить. К ним относятся:

- Травмы в результате касания вращающихся/движущихся частей.
- Травмы, которые могут произойти в результате смены деталей, лезвий или аксессуаров.
- Травмы, связанные с продолжительным использованием инструмента. При использовании любого инструмента в течение продолжительного периода времени не забывайте делать перерывы.
- Ухудшение слуха.
- Ущерб здоровью в результате вдыхания пыли в процессе работы с инструментом (например, при обработке древесины, в особенности, дуба, бука и МДФ.)

Вибрация

Заявленные значения вибрации, указанные в технических спецификациях и заявлении о соответствии, были измерены в соответствии со стандартным методом тестирования EN62841 и пригодны для сравнения инструментов.

Приведенные значения уровня вибрации могут также использоваться для предварительной оценки величины вибрационного воздействия.



Внимание! Значения вибрационного воздействия при работе с электроинструментом зависят от вида работ, выполняемых данным инструментом, и могут отличаться от заявленных значений.

Уровень вибрации может быть выше заявленного.

При оценке уровня вибрации для определения меры безопасности, предусмотренного 2002/44/ЕС для защиты людей, регулярно пользующихся электроинструментом при работе, нужно принимать во внимание уровень вибрации, реальные условия использования и способ использования инструмента, а также учитывать все этапы цикла работы – когда инструмент выключается, когда он работает на холостом ходу, а также время переключения с одного режима на другой.

Пильные диски

- Не используйте диски меньшего или большего диаметра по сравнению с рекомендованными. Размеры дисков см. в разделе «Технические

характеристики». Используйте только диски, указанные в данном руководстве и соответствующие стандарту EN 847-1.

- **Внимание!** Использование абразивных кругов запрещено.

Условные обозначения на инструменте

На инструмент нанесены следующие обозначения вместе с кодом даты:



Внимание! Во избежание риска получения травм прочтите руководство по эксплуатации.

Дополнительные правила техники безопасности при работе с аккумуляторными батареями и зарядными устройствами

Аккумуляторные батареи

- Никогда не пытайтесь разобрать аккумуляторные батареи.
- Не подвергайте аккумуляторные батареи воздействию воды.
- Не оставляйте в местах, где температура превышает 40 °C.
- Заряжайте только при температуре от 10 °C до 40 °C.
- Заряжайте аккумуляторные батареи только в зарядном устройстве, которое прилагается к инструменту.
- При утилизации батарей следуйте инструкциям, указанным в разделе «Защита окружающей среды».

Зарядные устройства

- Используйте зарядное устройство STANLEY FATMAX только для зарядки аккумуляторной батареи того инструмента, с которым оно поставлялось. Использование аккумуляторных батарей другого типа может привести к взрыву, травмам и повреждениям.
- Никогда не пытайтесь заряжать одноразовые батареи.
- Немедленно заменяйте поврежденный кабель питания.
- Не подвергайте зарядное устройство воздействию воды.
- Не вскрывайте зарядное устройство.
- Не разбирайте зарядное устройство.



Зарядное устройство можно использовать только в помещении.



Перед началом работы прочтите руководство по эксплуатации.



Не пытайтесь заряжать поврежденные аккумуляторные батареи.

Электробезопасность



Ваше зарядное устройство имеет двойную изоляцию, поэтому не требует заземления. Необходимо обязательно убедиться в том, что напряжение источника питания соответствует указанному на паспортной табличке устройства. Никогда не пытайтесь заменить зарядное устройство обычной сетевой вилкой.

- При повреждении кабеля питания, во избежание рисков, замените его у производителя или в официальном сервисном центре STANLEY FATMAX.



Внимание! Никогда не пытайтесь заменить зарядное устройство обычной сетевой вилкой.

Составные части

Инструмент может содержать все или некоторые из перечисленных ниже составных частей.

1. Пусковой выключатель
2. Кнопка блокировки пускового выключателя
3. Основная рукоятка
4. Дополнительная рукоятка
5. Кнопка блокировки шпинделя
6. Подошва
7. Шестигранный ключ
8. Нижний защитный кожух
9. Выходное отверстие для опилок
10. Аккумуляторная батарея

Эксплуатация



Внимание! Инструмент должен работать в обычном режиме. Не подвергайте инструмент повышенным нагрузкам.

Зарядка аккумуляторной батареи (Рис. А)

Аккумуляторную батарею нужно заряжать перед первым использованием и каждый раз, когда заряда недостаточно для выполняемых работ. Во время зарядки аккумуляторная батарея нагревается, это нормально и не означает неисправность.



Внимание! Не заряжайте батарею при температуре окружающей среды ниже 10 °C или выше 40 °C. Рекомендуемая температура при зарядке: приблизительно 24 °C.

Примечание: Зарядное устройство не заряжает аккумуляторную батарею, если температура аккумуляторного элемента ниже 10 °C или выше 40 °C. Аккумуляторную батарею нужно оставить в зарядном устройстве и зарядка начнется автоматически, когда температура аккумуляторного элемента выровняется до нормальных значений.

Примечание: Чтобы обеспечить максимальную производительность и срок службы ионно-литиевых батарей, перед первым использованием полностью зарядите аккумуляторную батарею.

- Перед установкой аккумуляторной батареи (10) подключите зарядное устройство (11) к соответствующей розетке.
- Зеленый индикатор зарядки (11а) начнет мигать, означая, что процесс зарядки начался.
- По окончании зарядки, зеленый индикатор зарядки (11а) будет гореть непрерывно, не мигая. Теперь аккумуляторная батарея (10) полностью заряжена, и ее можно использовать или оставить в зарядном устройстве (11).
- Разряженные аккумуляторные батареи заряжайте в течение 1 недели после разрядки. Срок службы аккумуляторной батареи значительно уменьшается, если ее хранить в разряженном состоянии.

Режимы горения светодиодного индикатора зарядного устройства

	Зарядка: Мигающий зеленый светодиод	
	Полностью заряжен: Непрерывно горящий зеленый светодиод	
	Температурная задержка: Мигающий зеленый светодиод Непрерывно горящий красный светодиод	

Примечание: Зарядное(-ые) устройство(-а) не может(-гут) полностью зарядить неисправную аккумуляторную батарею. При неисправной аккумуляторной батарее индикатор на зарядном устройстве не загорится.

Примечание: Также это может указывать на проблему с зарядным устройством. При наличии проблемы с зарядным устройством, проверьте аккумуляторную батарею и зарядное устройство в авторизованном сервисном центре.

Хранение аккумуляторной батареи в зарядном устройстве

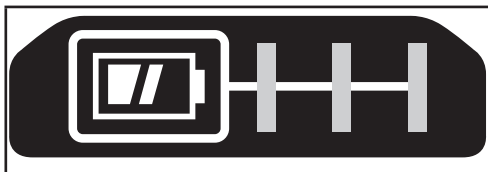
Аккумуляторную батарею можно оставлять в зарядном устройстве на неопределенное время, когда горит светодиод. Зарядное устройство будет поддерживать полную зарядку аккумуляторной батареи.

Температурная задержка

При слишком низкой или слишком высокой температуре батареи, зарядное устройство автоматически переходит в режим температурной задержки: зеленый светодиод (11a) будет мигать, в то время как красный светодиод (11b) будет гореть постоянно; при этом зарядка не начинается до тех пор, пока батарея не достигнет нужной температуры. Как только нужная температура будет достигнута, устройство автоматически перейдет в режим зарядки. Данная функция обеспечивает максимальный срок эксплуатации аккумуляторной батареи.

Индикатор заряда (Рис. В)

Аккумуляторная батарея включает в себя индикатор заряда, который позволяет быстро установить состояние заряда батареи, как показано на Рис. В. Нажатие кнопки заряда (10a) позволяет легко посмотреть состояние оставшегося заряда батареи, как показано на Рис. В.



Установка и извлечение аккумуляторной батареи из инструмента



Внимание! Проверьте, нажата ли кнопка блокировки, чтобы исключить вероятность срабатывания пускового выключателя при извлечении или установке батареи.

Установка батареи (Рис. С)

- Вставьте аккумуляторную батарею в инструмент до щелчка, как показано на Рис. С. Убедитесь, что батарея полностью вошла и зафиксирована на месте.

Извлечение батареи (Рис. D)

- Нажмите на опирающую кнопку батареи (10b), как показано на Рис. D, и извлеките аккумуляторную батарею из инструмента.

Снятие и установка пильного диска (Рис. Е)

Снятие

- Нажмите на кнопку блокировки шпинделя (5) и поворачивайте диск, пока шпиндель не заблокируется.
- Ослабьте и выверните винт крепления диска (14), поворачивая его по часовой стрелке с помощью ключа (7), входящего в комплект поставки.
- Снимите внешнюю шайбу (13).
- Снимите пильный диск (15).

Установка

- Установите пильный диск (15) на внутренний фланец (12) и убедитесь, что стрелка на диске направлена в том же направлении, что и стрелка на инструменте.
- Установите внешнюю шайбу (13) на шпиндель таким образом, чтобы поднятая часть была направлена от пильного диска.
- Вставьте винт крепления диска (14) в отверстие.
- Продолжайте удерживать нажатой кнопку блокировки шпинделя (5).
- Надежно затяните винт крепления диска, поворачивая его против часовой стрелки с помощью ключа (7), входящего в комплект поставки.

Регулировка угла пиления (Рис. F)

Воспользуйтесь угольником и убедитесь, что угол между пильным диском (15) и подошвой составляет 90°. Если угол не равен 90°, отрегулируйте следующим образом:

- Ослабьте ручку блокировки (17), чтобы разблокировать подошву.
- Ослабьте контргайку на регулировочном винте (16).
- Поворачивайте регулировочный винт в одном или другом направлении для установки угла 90°.
- Затяните контргайку.
- Затяните ручку блокировки, чтобы зафиксировать подошву.

Регулировка глубины распила (Рис. G)

Глубина распила устанавливается в зависимости от толщины заготовки. Она должна превышать толщину приблизительно на 2 мм.

- Ослабьте ручку блокировки (18), чтобы разблокировать подошву.
- Переместите подошву (6) в нужное положение.
- Затяните ручку блокировки, чтобы зафиксировать подошву.

Регулировка угла наклона (Рис. H)

На данном инструменте можно установить угол наклона от 0° до 45°.

- Ослабьте ручку блокировки (19), чтобы разблокировать подошву.
- Переместите подошву (6) в нужное положение. Соответствующий угол наклона отображается на шкале (20).
- Затяните ручку блокировки, чтобы зафиксировать подошву.

Включение и выключение

- Чтобы включить инструмент, нажмите на кнопку блокировки (2), затем на пусковой выключатель (1).
- Чтобы выключить инструмент, отпустите выключатель.

Пиление

Всегда удерживайте инструмент обеими руками.

- Перед выполнением реза дайте пильному диску поработать без нагрузки в течение нескольких секунд.
- При распиле прикладывайте к инструменту только легкое усилие.
- По возможности, прижимайте подошву к заготовке.

Примечание: Не позволяйте зубьям диска перегреваться.

Использование визуальной направляющей (Рис. 1)

Инструмент оснащен визуальной направляющей для выполнения прямолинейного распила (21) и пиления с наклоном под углом 45° (22).

- Совместите левую кромку направляющей (21) или (22) с линией реза (23).
- Держите визуальную направляющую на линии реза во время распила.
- По возможности, прижимайте подошву к заготовке.

Пылеудаление

Для подсоединения пылесоса к инструменту необходимо наличие переходника.

- Вставьте переходник на выпускное отверстие пылеотвода (9).
- Подсоедините шланг пылесоса к переходнику.

Советы по оптимальному использованию

- Всегда используйте диски соответствующего типа для разных типов материалов заготовок и типов распилов.
- Всегда удерживайте инструмент обеими руками.
- Перед выполнением реза дайте пильному диску поработать без нагрузки в течение нескольких секунд.
- При распиле прикладывайте к инструменту только легкое усилие.
- По возможности, прижимайте подошву к заготовке.
- Поскольку полностью избежать расщепления вдоль линии реза на верхней стороне заготовки невозможно, выполняйте пиление с той стороны, где наличие расщепления допустимо.
- В местах, где расщепление необходимо свести к минимуму, например, при пилении ламинированных материалов, прижмите лист фанеры к верхней поверхности заготовки.
- Поддерживайте большие панели, чтобы снизить риск заклинивания диска или образования обратного удара. Большие заготовки прогибаются под тяжестью собственного веса.
- Опору нужно поставить под обе стороны панели, около линии реза и вблизи края распиливаемой панели.
- Никогда не удерживайте разрезаемую деталь в руках или прижав ее к ноге.

- Зафиксируйте обрабатываемую деталь на неподвижной опоре с помощью зажимов. Необходимо надлежащим образом закрепить обрабатываемую деталь для снижения риска получения травмы, заклинивания диска или потери контроля.

Дополнительные принадлежности

Производительность вашего инструмента напрямую зависит от используемых принадлежностей. Дополнительные принадлежности STANLEY FATMAX разработаны по самым высоким стандартам и предназначены для улучшения характеристик работы инструмента. Используя эти принадлежности, вы достигнете наилучших результатов в работе.

Техническое обслуживание

Ваш инструмент STANLEY FATMAX имеет длительный срок эксплуатации и требует минимальных затрат на техобслуживание. Для длительной безотказной работы необходимо обеспечить правильный уход за инструментом и его регулярную очистку.

Зарядное устройство не требует никакого обслуживания кроме регулярной чистки.



Внимание! Перед выполнением любых работ по обслуживанию инструмента, извлекайте аккумуляторную батарею из инструмента. Перед чисткой зарядного устройства отключите его от источника питания.

- Регулярно очищайте вентиляционные прорези инструмента и зарядного устройства мягкой щеткой или сухой тканевой салфеткой.
- Регулярно очищайте корпус двигателя влажной тканью.
- Не используйте никакие абразивные чистящие средства или средства на основе растворителей.

Замена штепсельной вилки (только для Великобритании и Ирландии)

Если нужно установить штепсельную вилку:

- Осторожно снимите старую вилку.
- Подсоедините коричневый провод к терминалу фазы в новой вилке.
- Подсоедините синий провод к нулевому терминалу.



Внимание! Заземление не требуется.



Соблюдайте инструкции по установке вилок высокого качества.

Рекомендованный предохранитель: 5 А.

Защита окружающей среды



Отдельная утилизация. Изделия и аккумуляторные батареи с данным символом на маркировке запрещается утилизировать с обычными бытовыми отходами.

Изделия и аккумуляторные батареи содержат материалы, которые могут быть извлечены или переработаны, снижая потребность в исходном сырье. Пожалуйста, утилизируйте электрические изделия и аккумуляторные батареи в соответствии с местными нормами. Дополнительная информация доступна по адресу www.2helpU.com

Технические характеристики

		SFMCS500
Напряжение	$V_{\text{пост. тока}}$	18 В
Скорость без нагрузки	Мин ⁻¹	0–4,000
Макс. глубина распила	мм	54
Макс. глубина распила при наклоне 45°	мм	45
Диаметр диска	мм	165
Диаметр посадочного отверстия	мм	16
Ширина зубьев диска	мм	2,0
Вес	кг	3,4

Зарядное устройство		SFMCB11	SFMCB12	SFMCB14
Входное напряжение	$V_{\text{перем. тока}}$	230	230	230
Выходное напряжение	$V_{\text{пост. тока}}$	18	18	18
Ток	А	1,25	2	4

Аккумуляторная батарея		SFMCB201	SFMCB202	SFMCB204	SFMCB206
Напряжение	$V_{\text{пост. тока}}$	18	18	18	18
Емкость	Ач	1,5	2,0	4,0	6,0
Тип		Ионно-литиевая	Ионно-литиевая	Ионно-литиевая	Ионно-литиевая

Уровень звукового давления согласно EN62841:

Звуковое давление (L_{pA}) 86 дБ(А), погрешность (К) 3 дБ(А)

Акустическая мощность (L_{WA}) 97 дБ(А), погрешность (К) 3 дБ(А)

Сумма величин вибрации (сумма векторов по трем осям), измеренных в соответствии со стандартом EN62841:

Распил древесины ($a_{h, w}$) 1,6 м/сек², погрешность (К) 1,5 м/сек²

Заявление о соответствии нормам ЕС

ДИРЕКТИВА ПО МЕХАНИЧЕСКОМУ ОБОРУДОВАНИЮ



SFMCS500 – Дисковая пила

STANLEY FATMAX гарантирует, что описанная продукция соответствует EN62841-1:2015, EN62841-2-5:2014.

Эти изделия также соответствуют Директивам 2006/42/ЕС, 2014/30/EU и 2011/65/EU. За дополнительной информацией обращайтесь в компанию STANLEY FATMAX по адресу, указанному ниже или приведенному на задней стороне обложки руководства.

За дополнительной информацией обращайтесь в STANLEY FATMAX по адресу, указанному ниже или приведенному на задней стороне обложки руководства.

Нижеподписавшийся несет ответственность за составление технической документации и составил данную декларацию по поручению компании STANLEY FATMAX.

Эд Хиггинс (Ed Higgins)

Директор отдела потребительских электроинструментов
STANLEY FATMAX Europe, Egide Walschaertsstraat 14-18,
2800 Mechelen, Belgium
18/11/2019

Гарантия

Компания STANLEY FATMAX с уверенностью в качестве своей продукции предлагает клиентам гарантию на 12 месяцев с момента покупки. Данная гарантия является дополнительной и ни в коей мере не направлена на ущемление ваших юридических прав. Гарантия действует на территории стран-участниц Европейского союза и в Европейской зоне свободной торговли.

Чтобы подать заявку по гарантии, заявка должна соответствовать положениям и условиям STANLEY FATMAX, кроме того, вам потребуется предъявить продавцу или авторизованному специалисту по

ремонту подтверждение покупки. Положения и условия гарантии STANLEY FATMAX на 1 год и местонахождение ближайшего авторизованного специалиста по ремонту можно узнать через Интернет по адресу www.2helpU.com, или связавшись с местным представительством STANLEY FATMAX по адресу, указанному в данном руководстве. Посетите наш веб-сайт www.stanleytools.eu/3, чтобы зарегистрировать свое новое изделие STANLEY FATMAX и получать информацию о новинках и специальных предложениях.



Приложение к руководству по эксплуатации электрооборудования для определения месяца производства по номеру текущей календарной недели года

Электрооборудование торговых марок "Dewalt", "Stanley", "Stanley FatMAX", "BLACK+DECKER".

Директивы 2014/30/EU ЕВРОПЕЙСКОГО ПАРЛАМЕНТА И СОВЕТА от 26 февраля 2014 г. "О гармонизации законодательства Государств-членов ЕС в области электромагнитной совместимости", 2006/42/ЕС ЕВРОПЕЙСКОГО ПАРЛАМЕНТА И СОВЕТА от 17 мая 2006 г. "О машинах и оборудовании"; 2014/35/EU ЕВРОПЕЙСКОГО ПАРЛАМЕНТА И СОВЕТА от 26 февраля 2014 г. "О гармонизации законодательства Государств-членов в области размещения на рынке электрооборудования, предназначенного для использования в определенных пределах напряжения". Серийный выпуск.

ТОВАР СЕРТИФИЦИРОВАН

Орган по сертификации "РОСТЕСТ- Москва", Адрес: 119049, г. Москва, улица Житная, д. 14, стр. 1; 117418, Москва, Нахимовский просп., 31 (фактический), Телефон: (499) 1292311, (495) 6682893, Факс: (495) 6682893, E-mail: office@rostest.ru
Изготовитель: Изготовитель: Блэк энд Деккер Холдингс ГмбХ, Германия, 65510, Идштайн, ул. Блэк энд Деккер, 40, тел. +496126212790.

Уполномоченное изготовителем юр.лицо:

ООО "Стэнли Блэк энд Деккер", 117485, город Москва, улица Обручева, дом 30/1, строение 2
Телефон: + 7 (495) 258-3961, факс: + 7 (495) 258-3984, E-mail: inbox@dewalt.com
Сведения о импортере указаны в сопроводительной документации и/или на упаковке

Хранение.

Необходимо хранить в сухом месте, вдали от источников повышенных температур и воздействия солнечных лучей. При хранении необходимо избегать резкого перепада температур. Хранение без упаковки не допускается

Срок службы.

Срок службы изделия составляет 5 лет. Не рекомендуется к эксплуатации по истечении 5 лет хранения с даты изготовления без предварительной проверки.

Дата изготовления (код даты) указана на корпусе инструмента. Код даты, который также включает год изготовления, отштампован на поверхности корпуса изделия.

Пример: 2014 46 XX, где 2014 –год изготовления, 46-неделя изготовления.

Определить месяц изготовления по указанной неделе изготовления можно согласно приведенной ниже таблице.

Транспортировка.

Категорически не допускается падение и любые механические воздействия на упаковку при транспортировке.

При разгрузке/погрузке не допускается использование любого вида техники, работающей по принципу зажима упаковки.

Перечень критических отказов, возможные ошибочные действия персонала.

Не допускается эксплуатация изделия:

- При появлении дыма из корпуса изделия
- При повреждении и/или оголенном сетевом кабеле
- при повреждении корпуса изделия, защитного кожуха, рукоятки
- при попадании жидкости в корпус
- при возникновении сильной вибрации
- при возникновении сильного искрения внутри корпуса

Критерии предельных состояний.

- При повреждении и/или оголенном сетевом кабеле
- при повреждении корпуса изделия

Месяц	Январь	Февраль	Март	Апрель	Май	Июнь	Июль	Август	Сентябрь	Октябрь	Ноябрь	Декабрь	Год производства
Неделя	1	5	9	14	18	23	27	31	36	40	44	49	2018
	2	6	10	15	19	24	28	32	37	41	45	50	
	3	7	11	16	20	25	29	33	38	42	46	51	
	4	8	12	17	21	26	30	34	39	43	47	52	
			13		22			35			48		
Неделя	1	6	10	14	18	23	27	31	36	40	45	49	2019
	2	7	11	15	19	24	28	32	37	41	46	50	
	3	8	12	16	20	25	29	33	38	42	47	51	
	4	9	13	17	21	26	30	34	39	43	48	52	
	5				22			35		44			
Неделя	1	6	10	14	19	23	27	32	36	40	45	49	2020
	2	7	11	15	20	24	28	33	37	41	46	50	
	3	8	12	16	21	25	29	34	38	42	47	51	
	4	9	13	17	22	26	30	35	39	43	48	52	
	5			18			31		40			1	
Неделя	2	6	10	14	19	23	27	32	36	41	45	49	2021
	3	7	11	15	20	24	28	33	37	42	46	50	
	4	8	12	16	21	25	29	34	38	43	47	51	
	5	9	13	17	22	26	30	35	39	44	48	52	
				18			31		40			1	
Неделя	2	6	10	15	19	23	28	32	36	41	45	49	2022
	3	7	11	16	20	24	29	33	37	42	46	50	
	4	8	12	17	21	25	30	34	38	43	47	51	
	5	9	13	18	22	26	31	35	39	44	48	52	
				14		27		40				1	

**STANLEY
FATMAX®**

3 ГОДА ГАРАНТИИ
ТРЕБУЕТСЯ ОНЛАЙН РЕГИСТРАЦИЯ
СТАНДАРТНАЯ ГАРАНТИЯ 1 ГОД
Специальные условия гарантии в Европе и странах СНГ по ссылке ниже
sfm.stanley.ru

ГАРАНТИЙНЫЕ УСЛОВИЯ

Уважаемый покупатель!

1. Поздравляем Вас с покупкой высококачественного изделия STANLEY FATMAX и выражаем признательность за Ваш выбор.

2. При покупке изделия требуйте проверки его комплектности и исправности в Вашем присутствии. В комплекте с инструментом должна быть инструкция по эксплуатации и гарантийные условия производителя на русском языке. Сохраняйте на весь срок гарантии Ваш документ, удостоверяющий факт покупки изделия. Убедитесь, что в чеке указаны: фискальный номер чека, модель/наименование изделия, дата продажи и название торговой организации. z

3. Во избежание недоразумений убедительно просим Вас перед началом работы с изделием внимательно ознакомиться с инструкцией по его эксплуатации. Правовой основой настоящих гарантийных условий является действующее Законодательство. Гарантийный срок на данное изделие составляет 12 месяцев* и исчисляется со дня продажи. В случае устранения недостатков изделия гарантийный срок продлевается на период его нахождения в ремонте. Срок службы изделия составляет 5 лет со дня продажи.

4. В случае возникновения каких-либо проблем в процессе эксплуатации изделия рекомендуем Вам обращаться только в упомянутые сервисные центры STANLEY FATMAX, адреса и телефоны которых Вы сможете найти на сайте www.2helpu.com или узнать в магазине. Наши сервисные станции это не только квалифицированный ремонт, но и широкий ассортимент запчастей и принадлежностей.

5. Производитель рекомендует проводить периодическую проверку и техническое обслуживание изделия в упомянутых сервисных центрах.

6. Наши гарантийные обязательства распространяются только на неисправности, выявленные в течение гарантийного срока и вызванные дефектами материалов или сборки изделия.

7. Гарантийные условия не распространяются на неисправности изделия, возникшие в результате:

7.1. Несоблюдения пользователем предписаний инструкции по эксплуатации изделия, применения изделия не по назначению, неправильному хранению, использования принадлежностей, расходных материалов и запчастей, не предусмотренных производителем.

7.2. Механического повреждения (сколы, трещины и разрушения) внутренних и внешних деталей изделия, основных и вспомогательных рукояток, сетевого электрического кабеля, вызванного внешним ударным или любым иным воздействием.

7.3. Попадания в вентиляционные отверстия и проникновение внутрь



ОБЯЗАТЕЛЬНО СОХРАНИТЕ КАССОВЫЙ ЧЕК

изделия посторонних предметов, материалов или веществ, не являющихся отходами, сопровождающими применение изделия по назначению, такими как стружка, опилки, песок, и пр.

7.4. Воздействия на изделие неблагоприятных атмосферных и иных внешних факторов, таких как дождь, снег, повышенная влажность, нагрев, агрессивные среды, несоответствие параметров питающей электросети, указанных на инструменте.

7.5. Стихийного бедствия. Повреждение или утрата изделия, связанное с непредвиденными бедствиями, стихийными явлениями, в том числе вследствие действия непреодолимой силы (пожар, молния, потоп и другие природные явления), а также вследствие перепадов напряжения в электросети и другими причинами, которые находятся вне контроля производителя.

8. Гарантийные условия не распространяются:

8.1. На инструменты, подвергшиеся вскрытию, ремонту или модификации вне упомянутого сервисного центра.

8.2. На детали и узлы, имеющие следы естественного износа, такие как: приводные ремни и колеса, угловые шетки, смазка, подшипники, зубчатое зацепление редукторов, резиновые уплотнения, сальники, направляющие ролики, муфты сцепления, бойки, толкатели, столы, и т.п.

8.3. На сменные и расходные части: цанги, зажимные гайки и фланцы, фильтры, ножи, шлифовальные подошвы, цепи, звездочки, пыльные шины, защитные кожухи, пилаи, абразивы, пыльные и абразивные диски, фрезы, сверла, буры и т.п.

8.4. На неисправности, возникшие в результате перегрузки инструмента (как механической, так и электрической), повлекшей выход из строя одновременно двух и более деталей и узлов, таких как ротора и статора, обмоток статора, ведомой и ведущей шестерни редуктора или других узлов и деталей. К безупрочным признакам перегрузки изделия относятся, помимо прочего: появление цетлов бежальности, деформация или оплавление деталей и узлов изделия, потемнение или обугливание изоляции проводов электродвигателя под воздействием высокой температуры.

* Зарегистрируйте ваш новый электроинструмент STANLEY FATMAX чтобы получить 3 года гарантии.

- требуется регистрация продукта в течение 4-х недель со дня покупки;
- для регистрации посетите наш сайт sfm.stanley.ru



Горячая линия

8-800-1000-876

Актуальную информацию об обслуживании
в интересующем вас городе вы можете узнать на сайте

service.stanley.ru

- Список авторизованных сервисных центров
- Поиск ближайшего сервисного центра
- Руководство по эксплуатации
- Технические характеристики
- Список деталей и запасных частей
- Схема сборки инструмента

15-04-2021

NA065919

ГАРАНТИЙНОЕ ОБСЛУЖИВАНИЕ

С БЕСПЛАТНОЙ ДОСТАВКОЙ

Теперь вы можете сдать инструмент в сервис, даже если его нет в вашем городе.

Скачать/распечатать инструкцию с сайта

service.stanley.ru



Отметки о проведении сервисного обслуживания

№1	№2	№3	№4
№ заказа	№ заказа	№ заказа	№ заказа
Дата поступления	Дата поступления	Дата поступления	Дата поступления
Дата ремонта	Дата ремонта	Дата ремонта	Дата ремонта
Печать и подпись сервисного центра	Печать и подпись сервисного центра	Печать и подпись сервисного центра	Печать и подпись сервисного центра



ПОДАРОК ЗА ОТЗЫВ*

- 1 Зарегистрируйся на my.stanley.ru
- 2 Напиши отзыв о покупке
- 3 Получи подарок на выбор**



*Акция проводится на территории Российской Федерации. Подробные условия акции указаны на my.stanley.ru

** Подарок может отличаться от изображенного, актуальный перечень см. на my.stanley.ru

Сфера застосування

Ваша дискова пила STANLEY FATMAX SFMCS500 для розпилювання дерева та виробів з дерева. Цей пристрій призначений для професійного використання, а також для приватних непрофесійних користувачів.

Інструкції з техніки безпеки

Загальні правила безпеки для електричного інструмента



Увага! Ознайомтеся з усіма попередженнями, інструкціями з техніки безпеки, зображеннями та специфікаціями, які поставляються з цим електричним інструментом. Невиконання наведених нижче інструкцій може призвести до ураження електричним струмом, пожежі та/або серйозних травм.

Збережіть всі попередження та інструкції для використання в майбутньому. Термін «електричний інструмент» в усіх попередженнях, перерахованих нижче, стосується використовуваних вами інструментів, що працюють від мережі енергоспоживання (з використанням електричного кабелю) або батарей (без кабелю).

1. Безпека робочої зони

- a. Робоча зона завжди має бути чистою та добре освітленою. Захаращена або темна робоча зона призводить до нещасних випадків.
- b. **Не використовуйте електричні інструменти у вибухонебезпечній атмосфері, наприклад поруч із вогнянебезпечними рідинами, газами та пилом.** Електричні інструменти створюють іскри, що можуть запалити пил або пару.
- c. **Тримайте дітей та сторонніх спостерігачів подалі під час використання інструмента.** Відвернення уваги може призвести до втрати контролю.

2. Електрична безпека

- a. Вилка електричного інструмента повинна відповідати розетці. Ніколи жодним чином не змінюйте вилку. **Не використовуйте адаптери з заземленими електричними інструментами.** Немодифіковані вилки та розетки, що підходять до них, зменшують ризик ураження електричним струмом.
- b. **Уникайте контакту тіла з заземленими поверхнями, такими як труби, радіатори, плити та холодильники.** Якщо ваше тіло заземлене, збільшується ризик ураження електричним струмом.
- c. **Не залишайте електричні інструменти під дощем або в умовах підвищеної вологості.** Вода, що потрапляє в електричний інструмент, підвищує ризик ураження електричним струмом.

- d. **Не використовуйте кабелі живлення не за призначенням. Ніколи не переносіть, не тягніть та не відключайте електричний інструмент від розетки електроживлення за допомогою шнура.** Тримайте шнур подалі від високих температур, мастила, гострих предметів та рухомих деталей. Пошкоджені або перекручені шнури підвищують ризик ураження електричним струмом.
- e. **При використанні електричного інструмента просто неба використовуйте подовжувальний шнур, що підходить для використання просто неба.** Шнур, що призначений для використання поза приміщенням, знижує ризик ураження електричним струмом.
- f. **Якщо неможливо уникнути використання електричного інструмента в умовах підвищеної вологості, використовуйте живлення, захищене пристроєм з керуванням диференційним струмом (Residual current device, RCD).** Використання RCD знижує ризик ураження електричним струмом.

3. Особиста безпека

- a. **Будьте уважні дивіться, що ви робите, та будьте розсудливі, працюючи з електричним інструментом. Не використовуйте електричний інструмент, коли ви втомлені або знаходитесь під впливом наркотичних речовин, алкоголю або ліків.** Втрата уваги під час роботи з електричним інструментом може призвести до серйозних тілесних ушкоджень.
- b. **Використовуйте особисті засоби безпеки. Завжди використовуйте засоби захисту очей.** Засоби безпеки, такі як протипилова маска, нековзкі безпечні черевки, захисний шолом та засоби захисту слухового апарату, використані для відповідних умов, зменшують імовірність особистих травм.
- c. **Уникайте випадкового запуску. Переконайтесь в тому, що перемикач знаходиться в позиції Вимк., перш ніж підключати інструмент до джерела електроживлення та/або акумулятора, переміщувати або переносити.** Може статися нещасний випадок, коли ви переносите інструмент, тримаючи палець на вимикачі, або підключаєте живлення до вимикача в позиції Увімк.
- d. **Зніміть усі ключі для регулювання або гайкові ключі, перш ніж вмикати електричний інструмент.** Гайковий ключ, що залишився прикріпленим до якоїсь деталі електричного пристрою, що обертається, може призвести до травм.
- e. **Не прикладайте надмірних зусиль. Завжди утримуйте правильну постановку ніг і рівновагу.** Це дає вам змогу краще контролювати інструмент в неочікуваних ситуаціях.

- f. **Одягайтеся відповідним чином. Не вдягайте вільний одяг або прикраси.** Тримайте ваше волосся та одяг подалі від рухомих деталей. Вільний одяг, прикраси або довге волосся можуть зачепитися за рухомі деталі.
- g. **Якщо передбачені пристрої для підключення до засобів виділення та збирання пилу, переконайтеся, що вони правильно підключені та використовуються.** Використання таких пристроїв зменшує ризик виникнення небезпечних ситуацій, що пов'язані з потраплянням пилу.
- h. **Навіть якщо ви добре знаєте інструмент та часто його використовуєте, не розслабляйтесь та не забувайте про принципи техніки безпеки.** Необережні дії можуть за долю секунди призвести до важких тілесних ушкоджень.
4. **Використання електричного інструмента та догляд за ним**
- a. **Не прикладайте надмірних зусиль під час роботи з інструментом. Використовуйте електричний інструмент, який відповідає завданню, що виконується.** Правильно обраний інструмент виконає завдання краще та безпечніше за умов, для яких він був розроблений.
- b. **Не використовуйте інструмент, якщо його неможливо ввімкнути та вимкнути за допомогою вимикача.** Будь-який електричний інструмент, яким неможливо керувати за допомогою вимикача, є небезпечним і має бути відремонтований.
- c. **Якщо вилка змінна, відключіть її від джерела живлення та/або вийміть акумулятор, перш ніж виконувати будь-які налаштування, змінювати додаткове обладнання або зберігати інструмент.** Ці профілактичні заходи зменшують ризик випадкового запуску електричного інструмента.
- d. **Зберігайте вимкнені електричні інструменти в недоступному для дітей місці та не дозволяйте особам, що не знайомі з електричним інструментом або цими інструкціями, використовувати електричний інструмент.** Електричні інструменти є небезпечними, якщо вони використовуються некваліфікованими користувачами.
- e. **Технічне обслуговування електричних інструментів та аксесуарів. Перевіряйте несумісність або заїдання рухомих деталей, наявність ушкоджених частин та інших умов, що можуть впливати на роботу електричного інструмента.** Якщо є пошкодження, відремонтуйте електричний інструмент перед використанням. Нещасні випадки часто є результатом того, що інструмент не пройшов відповідного технічного обслуговування.
- f. **Ріжучі інструменти мають бути гострими та чистими.** Правильно доглянуті ріжучі інструменти з гострими різальними кромками мають меншу імовірність заїдання і ними легше керувати.
- g. **Використовуйте електричний інструмент, додаткові інструменти та деталі інструменту тощо у відповідності до цих інструкцій та відповідно до даного типу електричних інструментів, зважаючи на умови використання та роботу, яка має бути виконана.** Використання електричних інструментів не за призначенням може призвести до виникнення небезпечних ситуацій.
- h. **Всі ручки та поверхні для тримання інструмента мають бути сухими, без залишків мастила. Слизькі ручки та поверхні для тримання не дозволяють безпечно працювати та контролювати інструмент у неочікуваних ситуаціях.**
5. **Використання та догляд за інструментом, що працює від акумулятора**
- a. **Заряджайте інструмент лише за допомогою зарядного пристрою, вказаного виробником.** Зарядний пристрій може призвести до пожежі, якщо він використовується не з тим типом акумулятора, для якого призначений.
- b. **Використовуйте електричні інструменти лише з призначеними для них акумуляторами.** Використання інших акумуляторів може призвести до тілесних ушкоджень або пожежі.
- c. **Коли акумулятори не використовуються, зберігайте їх подалі від металевих предметів, таких як скріпки, монети, ключі, цвяхи, гвинти або інші невеликі предмети, що можуть призвести до замикання двох контактів.** Коротке замикання клем акумулятора може призвести до вибуху або пожежі.
- d. **За невідповідних умов використання рідина може витекти з акумулятора; уникайте контакту з цією рідиною.** Якщо контакт таки стався, промийте забруднену ділянку водою. Якщо рідина потрапила в очі, промийте водою та зверніться до лікаря. Рідина, що витікає з акумулятора, може призвести до подразнень та опіків.
- e. **Не використовуйте пошкоджений або модифікований акумулятор або інструмент.** Пошкоджені або модифіковані акумулятори можуть поводити себе непередбачуваним чином, призводячи до пожежі, вибуху або тілесним ушкодженням.
- f. **Не піддавайте акумулятор та інструмент дії вогню та надмірних температур.** Вплив вогню або температури вище 130 °C може спричинити вибух.
- g. **Виконуйте всі інструкції щодо зарядки; заряджайте акумулятор та інструмент тільки в межах температурного діапазону, вказаного в інструкціях.**

Неналежна зарядка або зарядка поза межами вказаного температурного діапазону може пошкодити акумулятор та підвищити ризик пожежі.

6. Обслуговування

- a. Для обслуговування вашого електричного інструменту залучайте кваліфікованих спеціалістів з ремонту та використовуйте тільки ідентичні заміні деталі. Це забезпечить безпеку електричного пристрою, що обслуговується.
- b. Ніколи не обслуговуйте пошкоджені АКУМУЛЯТОРИ самостійно. Сервісне обслуговування АКУМУЛЯТОРНИХ БАТАРЕЙ повинно здійснюватися тільки виробником або уповноваженими постачальниками.

Додаткові інструкції з техніки безпеки для пили

Процедура різання

- **НЕБЕЗПЕЧНО!** Тримайте руки подалі від зони різання та пильного диска. Тримайте другу руку на додатковій ручці або корпусі електродвигуна. Якщо обидві руки тримають пилку, ви не поріжете диск.
- Не підставляйте руку під заготовку. Захисний кожух не зможе захистити ваші руки від диска, якщо вони знаходяться під заготовкою.
- Налаштуйте глибину розрізу відповідно до товщини заготовки. Необхідно, щоб частина зубця диска, яка виступає з-під заготовки, була меншою за його повну висоту.
- Ніколи не тримайте заготовку, що розрізується, у руках або на колінах. Закріпіть заготовку на стійкій платформі. Необхідно добре закріпити заготовку, щоб звести до мінімуму можливість контакту з тілом, заїдання леза або втрати контролю.
- Тримайте інструмент за ізольовану поверхню при виконанні операцій, коли ріжучі приладдя можуть торкнутися схованої проводки. У разі контакту різальних елементів з дротом під напругою може з'явитися напруга в металевих деталях інструмента, що може призвести до ураження оператора електричним струмом.
- Під час поздовжнього розпилювання використовуйте поздовжній шаблон або напрямну кромку. Це дасть можливість підвищити точність розрізу та зменшити можливість заїдання диска.
- Завжди використовуйте пильні диски відповідного розміру та з правильною формою отворів оправлення (ромбоподібні або круглі). Пильні диски, що не відповідають кріпильним

пристосуванням пилки, обертатимуться несиметрично відносно центру, що може призвести до втрати контролю.

- Ніколи не використовуйте пошкоджені або невідповідні шайби та болти для кріплення пильного диска. Шайби та болти пильного диска були розроблені спеціально для вашої пилки для оптимальної та безпечної роботи.

Додаткові інструкції з техніки безпеки для пили

Причини віддачі та відповідні попередження

- віддача – це раптова реакція на затискання, заїдання або розрегулювання пильного диска, що спричиняє рух неконтрольованої пили вгору в напрямку від заготовки до оператора;
- якщо пильний диск заїло або затиснуло під час розрізання, він зупиняється, а електродвигун спричиняє швидкий рух пристрою назад на оператора;
- якщо пильний диск викривлюється або займає неправильне положення в розрізі, зубці на задньому кінці диска можуть вийти з пропилу на поверхню заготовки, що призведе до підстрибування пильного диска в напрямку до оператора.

Віддача є результатом невірного використання та/або некоректної роботи або невідповідних умов роботи, яких можна уникнути, уживаючи відповідних заходів, наведених нижче.

- a. Тримайте пилу міцно обома руками та розташуйте руки так, щоб можна було створити опір силам віддачі. Розташуйте тіло з одного боку диска, але не на одній лінії з диском. Віддача може призвести до відстрибування пилки назад, але сили віддачі можуть бути під контролем оператора, якщо будуть вжиті відповідні заходи.
- b. Якщо пильне полотно затиснене або необхідно перервати розпилювання за якоїсь причини, відпустіть вмикач та утримуйте пилу нерухомо, доки пильне полотно повністю не зупиниться. Ніколи не намагайтесь витягнути пилу з пропилу або потягти на себе, коли пильний диск рухається, тому що може виникнути віддача. Проаналізуйте та уживайте необхідних заходів для уникнення затискання диска.
- c. Під час поновлення розпилювання заготовки вивіряйте пильний диск у пропили та переконайтеся в тому, що зубці не входять у зчеплення з матеріалом. Якщо пильне полотно затиснене, воно може піднятися та може виникнути віддача під час поновлення роботи пили.

- d. Закріплюйте великі панелі для зменшення ризику затиснення диска та віддачі. Великі панелі можуть притиснутися під власною вагою. Опори необхідно розташувати під панеллю з обох боків, біля лінії розтину та біля краю панелі.
- e. Не використовуйте тупі та пошкоджені пильні диски. Незагострені та невірно встановлені пильні диски утворюють вузький пропил, що призводить до надмірного тертя, затиснення диска та віддачі.
- f. Перед розпилюванням необхідно міцно та надійно зафіксувати стопорні важелі глибини розрізання та кута нахилу диска. Якщо налаштування пильного диска зсуваються під час розпилювання, може виникнути затиснення або віддача.
- g. Будь-яке особливо уважні при виконанні розрізів несучих стін або інших місць, де не видно, що знаходиться під поверхнею. Пильний диск може натрапити на предмет, що спричинить віддачу.

Функція нижнього захисного кожуха

- a. Перед використанням перевірте, щоб нижній захисний кожух був зафіксований відповідним чином. Не використовуйте пилу, якщо нижній захисний кожух не рухається вільно та не фіксується відразу ж. Ніколи не затискайте та не підв'язуйте нижній захисний кожух у відкритому положенні. Якщо пила випадково впаде, нижній захисний кожух може погнутися. Підніміть нижній захисний кожух за допомогою зворотної ручки та переконайтеся, що він вільно рухається і не торкається пильного диска та інших деталей в жодному з напрямків та за будь-якої глибини розпилювання.
- b. Перевірте роботу пружини нижнього захисного кожуха. Якщо захисний кожух або пружина працюють невірно, то перед використанням їх необхідно відремонтувати. Нижній захисний кожух може працювати повільно через пошкоджені деталі, залишки гуми або іншого сміття.
- c. Можна відвести нижній захисний кожух вручну лише для спеціальних розрізів, наприклад для «заглибних розрізів» та «складних розрізів». Підніміть нижній захисний кожух за допомогою ручки для відведення, а тільки-но полотно ввійде в матеріал, нижній захисний кожух необхідно відпустити. Для всіх інших видів розпилювання нижній захисний кожух працює автоматично.
- d. Не забувайте стежити за тим, щоб нижній захисний кожух накривав пильний диск перед тим, як покласти пилу на верстак або підлогу. Незахищений диск може рухатися за інерцією у зворотному напрямку та порізати будь-що на своєму шляху. Пам'ятайте про час, необхідний для зупинки пильного диска після відпускання перемикача.

Безпека оточення

- Цей інструмент не призначений для використання особами (включаючи дітей) із зниженими фізичними, сенсорними або розумовими можливостями або особами, яким бракує досвіду або знань за винятком випадків, коли такі особи працюють під наглядом або отримали інструкції щодо використання пристрою від особи, яка несе відповідальність за їх безпеку.
- Уважно слідкуйте за тим, щоб діти не гралися з пристроєм.

Залишкові ризики

Під час використання інструмента можуть виникнути додаткові залишкові ризики, які не внесені до попереджень щодо техніки безпеки в цьому посібнику. Ці ризики можуть виникнути як результат неправильного використання, тривалого використання, тощо.

Незважаючи на виконання всіх відповідних правил техніки безпеки та використання захисних пристроїв, неможливо уникнути деяких залишкових ризиків. Сюди належать:

- Травми через контакт з деталями, що рухаються/обертаються.
- Травми при заміні деталей, пильних полотен або аксесуарів.
- Травми через занадто тривале використання інструменту. При використанні будь-якого інструменту протягом тривалого періоду часу не забувайте робити регулярні перерви.
- Порушення слуху.
- Небезпека для здоров'я через вдихання пилу, що утворюється при використанні інструмента (наприклад, при роботі з деревом, особливо з дубом, березою та ДВП).

Вібрація

Значення вібрації, вказані в технічних даних та в декларації про відповідність виміряні з дотриманням стандартних методів тестування, наданих у EN62841, та їх можна використовувати для порівняння одного інструмента з іншим.

Задекларовані значення вібрації можна також використовувати для попереднього оцінювання впливу вібрації.



Увага! Значення вібрації під час використання інструмента може відрізнятись від задекларованого в залежності від способів використання інструмента. Рівень вібрації може перевищувати вказані значення.

Оцінюючи вплив вібрації для визначення заходів безпеки за вимогами 2002/44/EC, щоб захистити людей, які регулярно використовують інструменти в роботі, необхідно враховувати реальні умови та способи використання

інструмента, у тому числі всі періоди робочого циклу, наприклад час, коли інструмент вимкнено та коли він працює в режимі холостого ходу, а також час, потрібний для запуску інструмента.

Пильні диски

- Не використовуйте пильні диски більшого або меншого діаметру, ніж рекомендовано. Зверніться до технічних даних, щоб дізнатися, який диск вам потрібен. Використовуйте лише диски, що вказані в цьому посібнику та відповідають стандарту EN 847-1.
- **Увага!** Ніколи не використовуйте абразивні диски.

Написи на інструменті

На інструменті нанесені подані нижче позначки та код дати:



Увага! Щоб зменшити ризик травм, користувач повинен прочитати інструкцію з експлуатації.

Додаткові інструкції з техніки безпеки для батарей та зарядних пристроїв

Батареї

- Ніколи не намагайтесь відкривати батарею.
- Не занурюйте батарею у воду.
- Не зберігайте у місцях, де температура може перевищувати 40 °C.
- Заряджайте лише за температури навколишнього середовища між 10 °C та 40 °C.
- Заряджайте лише за допомогою зарядного пристрою, що надається з інструментом.
- Під час утилізації батарей виконуйте інструкції, наведені в розділі «Захист навколишнього середовища».

Зарядні пристрої

- Використовуйте зарядний пристрій STANLEY FATMAX зарядки батарей лише того інструмента, з яким він був у комплекті. Інші батареї можуть вибухнути, спричинивши травми та пошкодження.
- Ніколи не намагайтесь заряджати батареї, що не підлягають зарядці.
- Негайно замініть пошкоджений шнур живлення.
- Не занурюйте зарядний пристрій у воду.
- Не відкривайте корпус зарядного пристрою.
- Не розбирайте зарядний пристрій.



Зарядний пристрій призначений для використання в приміщенні.



Прочитайте інструкції цього посібника перед використанням.



Не заряджайте пошкоджені батареї.

Електрична безпека



Зарядний пристрій має подвійну ізоляцію, тому заземлення непотрібне. Завжди перевіряйте відповідність джерела живлення напрузі, що вказана на табличці з паспортними даними. Ніколи не намагайтесь замінити зарядний пристрій звичайним мережним штепселем.

- Якщо силовий кабель пошкоджений, його необхідно замінити у виробника або в офіційному сервісному центрі STANLEY FATMAX для уникнення небезпеки.



Увага! Ніколи не намагайтесь замінити зарядний пристрій звичайним мережним штепселем.

Компоненти

Цей пристрій має всі або деякі з нижче перерахованих компонентів.

1. Вимикач
2. Кнопка блокування
3. Основна ручка
4. Додаткова ручка
5. Кнопка блокування шпіндела
6. Опорна колодка
7. Торцевий ключ
8. Нижній захисний кожух
9. Отвір для викидання тирси
10. Батарея

Використання



Увага! Інструмент повинен працювати з рекомендованою швидкістю. Не перевантажуйте його.

Заряджання акумуляторної батареї (рис. А)

Необхідно зарядити батарею перед першим використанням, а також коли вона не може забезпечити достатню потужність для виконання завдань, які легко виконувались раніше. Батарея може стати теплою під час зарядки; це нормально та не є показником проблеми.



Увага! Не заряджайте батарею за температури навколишнього середовища нижче 10 °C або вище 40 °C. Рекомендована температура зарядки: приблизно 24 °C.

Примітка. Зарядний пристрій не буде заряджати батарею, якщо її температура нижче 10 °C або вище 40 °C. Батарею потрібно залишити у зарядному пристрої, який почне заряджати її автоматично, коли

температура батареї відповідно підніметься або знизиться.

Примітка. Щоб забезпечити максимальну продуктивність та тривалість роботи літій-іонних акумуляторів, повністю заряджайте їх перед першим використанням.

- Підключіть зарядний пристрій (11) до відповідної розетки перед встановленням акумулятора (10).
- Зелений індикатор зарядки (11a) буде блимати постійно, вказуючи на те, що процес зарядки розпочався.
- Після завершення зарядки зелений індикатор зарядки (11a) залишається постійно включеним. Це означає, що акумулятор (10) повністю заряджений та може бути вийнятий та використовуватися одразу або залишитися в зарядному (11) пристрої.
- Не тримайте батареї розрядженими більше 1 тижня. Термін служби батареї значно зменшується, якщо вона зберігається у незарядженому стані.

Режими світлодіода зарядного пристрою

	Заряджається: Зелений світлодіод блимає	
	Повністю заряджений: Зелений світлодіод постійно горить	
	Затримка через надмірно високу/низьку температуру батареї: Зелений світлодіод блимає Червоний світлодіод постійно горить	

Примітка. Навіть сумісний зарядний пристрій не буде заряджати несправний акумулятор. Зарядний пристрій розпізнає несправну акумуляторну батарею та не ввімкне світловий індикатор.

Примітка. Це також може свідчити про проблему з зарядним пристроєм. Якщо виявлено проблему із зарядним пристроєм, віднесіть зарядний пристрій та акумулятор для перевірки в авторизований сервісний центр.

Залишення батареї в зарядному пристрої

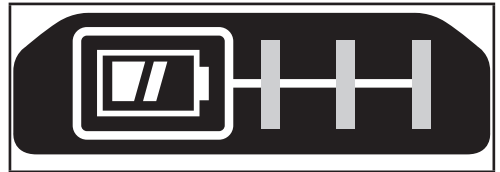
Батареї можна залишити в зарядному пристрої на необмежений час з індикатором, який працює. Зарядний пристрій буде підтримувати батарею у повністю зарядженому стані.

Затримка через надмірно високу/низьку температуру акумулятора

Якщо зарядний пристрій визначає, що батарея є занадто гарячою або занадто холодною, він автоматично вмикає режим температурної затримки, зелений світлодіодний індикатор (11a) буде періодично блимати, а червоний світлодіодний індикатор (11b) буде постійно горіти, припиняючи процес зарядки, доки батарея не досягне відповідної температури. Зарядний пристрій автоматично перемикається в режим зарядки акумулятора. Ця функція забезпечує максимальний термін служби акумулятора.

Індикатор стану зарядки акумулятора (рис. B)

Акумулятор містить індикатор стану зарядки для швидкого визначення заряду батареї, як показано на рисунку B. Натиснувши кнопку стану зарядки (10a), можна легко переглянути, скільки заряду залишилося в акумуляторі, як показано на рисунку B.



Встановлення акумулятора в інструмент та його виймання з інструмента



Увага! Перед встановленням та зніманням батареї переконайтесь, що інструмент заблокований, щоб уникнути його випадкового запуску.

Встановлення акумуляторної батареї (рис. C)

- Вставте акумулятор в інструмент до упору, щоб почути звук клацання, як показано на рисунку A. Переконайтесь, що акумулятор повністю вставлений і зафіксований в цьому положенні.

Виймання акумуляторної батареї (рис. D)

- Натисніть кнопку вивільнення батареї (10b), як показано на рисунку D, та витягніть її з пристрою.

Встановлення та знімання пильного диска (рис. E)

Знімання

- Натисніть та утримуйте кнопку блокування шпінделя (5) та обертайте диск доти, поки не спрацює замок шпінделя.
- Відкрутіть та вийміть фіксувальний гвинт пильного диска (14), повертаючи його проти годинникової стрілки за допомогою шестигранного ключа (7).
- Зніміть зовнішню шайбу (13).

- Зніміть пильне полотно (15).

Встановлення

- Розташуйте пильне полотно (15) на внутрішньому фланці (12), перевіrivши, що стрілка на пильному полотні вказує в ту саму сторону, що й стрілка на інструменті.
- Встановіть зовнішню шайбу (13) на шпindelь так, щоб піднята частина була направлена від пильного полотна.
- Вставте стопорний гвинт пильного полотна (14) в отвір.
- Тримайте кнопку блокування шпindelя (5) натисненою.
- Надійно затягніть фіксувальний гвинт пильного диска, повертаючи його проти годинникової стрілки за допомогою шестигранного ключа (7) з комплекту.

Регулювання кута нахилу (рис. F)

Скористуйтеся трикутником з прямим кутом, щоб перевірити, що кут між пильним полотном (15) та підшовою становить 90°. Якщо кут становить не 90°, налаштуйте його наступним чином:

- Відпустіть ручку-фіксатор (17) для розблокування підшови пили.
- Відпустіть стопорну гайку на регульовальному гвинті (16).
- Вкрутіть регульовальний гвинт або викрутїть його, щоб досягти кута 90°.
- Затягніть стопорну гайку.
- Затягніть ручку-фіксатор для блокування підшови пили у потрібному положенні.

Регулювання глибини різання (рис. G)

Глибина різання встановлюється відповідно до товщини заготовки. Вона має перевищувати товщину прибіл. на 2 мм.

- Послабте ручку-фіксатор (18) для розблокування підшови пили.
- Установіть підшошу пили (6) у необхідне положення.
- Затягніть ручку для блокування підшови пили у потрібному положенні.

Регулювання кута нахилу (рис. H)

Інструмент передбачає регулювання кута вертикального відхилення в діапазоні від 0° до 45°.

- Послабте ручку-фіксатор (19) для розблокування підшови пили.
- Установіть підшошу пили (6) у необхідне положення. Відповідний кут нахилу можна побачити на шкалі (20).
- Затягніть ручку-фіксатор для блокування підшови пили у потрібному положенні.

Увімкнення та вимкнення

- Щоб увімкнути інструмент, натисніть кнопку блокування у вимкненому положенні (2) та натисніть перемикач Увімк./Вимк. (1).
- Щоб вимкнути інструмент, відпустіть перемикач вперед/назад.

Розпилювання

Завжди тримайте інструмент обома руками.

- Полотно повинно спочатку просто попрацювати перед початком різання.
- Застосовуйте лише м'який тиск на інструмент при розпилюванні.
- Притискайте підшошу пили до поверхні заготовки.

Примітка. Стежте, щоб край пильного диска не перегрівався.

Використання напрямної (рис. I)

Інструмент оснащено напрямною для виконання прямого різання (21) та для різання під кутом нахилу 45° (22).

- Вирівняйте лівий край напрямних (21) або (22) з лінією розрізу (23).
- При різанні напрямна має знаходитись на одній лінії з лінією розрізу.
- Притискайте підшошу пили до поверхні заготовки.

Видалення пилу

Для підключення пилососу або пристрою для видалення пилу до інструменту необхідний адаптер.

- Вставте адаптер пристрою для видалення пилу до отвору для викидання тирси (9).
- Під'єднайте до адаптера шланг пилососу.

Підказки для оптимального використання

- Завжди використовуйте відповідні пильні полотна в залежності від матеріалу заготовки та типу розрізу.
- Завжди тримайте інструмент обома руками.
- Полотно повинно спочатку просто попрацювати перед початком різання.
- Застосовуйте лише м'який тиск на інструмент при розпилюванні.
- Притискайте підшошу пили до поверхні заготовки.
- Оскільки певна кількість відколів по лінії відрізу з верхнього боку заготовки є неминучою, пиляйте з того боку, для якого наявність відколів є допустимою.
- У випадках коли відколи слід звести до мінімуму, наприклад під час розпилювання ламінатів, прикладіть та зафіксуйте лист фанери зверху заготовки.
- Закріплюйте великі панелі для зменшення ризику затиснення диска та віддачі. Великі панелі можуть прогинатися під власною вагою.

- Опори необхідно розташувати під панеллю з обох боків, біля лінії розтину та біля краю панелі, що розрізується.
- Ніколи не тримайте заготовку, що розрізується, у руках або на колінах.
- Закріпіть заготовку на стійкій платформі, використовуючи затискачі. Необхідно добре закріпити заготовку, щоб звести до мінімуму можливість контакту з тілом, заїдання леза або втрати контролю.

Приладдя

Продуктивність роботи інструмента залежить від приладдя, яке ви використовуєте. Витратні матеріали виробництва компанії Stanley FATMAX розроблені з дотриманням високих стандартів якості та створені для підвищення ефективності використання вашого інструмента. Використовуючи це обладнання, ви отримаєте максимум ефективності від вашого інструменту.

Технічне обслуговування

Ваш інструмент виробництва компанії STANLEY FATMAX призначений для роботи протягом тривалого часу з мінімальним обслуговуванням. Довга задовільна робота приладу залежить від належного обслуговування приладу та регулярного його очищення.

Зарядний пристрій не вимагає технічного обслуговування, потрібно лише виконувати регулярне очищення.



Увага! Перед проведенням будь-яких робіт по технічному обслуговуванню необхідно вилучити батарею з інструмента. Витягніть зарядний пристрій з розетки перед очищенням.

- Регулярно очищуйте вентиляційні отвори інструменту та зарядного пристрою, використовуючи м'яку щітку або суху тканину.
- Регулярно очищуйте корпус двигуна вологою тканиною.
- Не використовуйте абразивні очищувачі та засоби, що містять розчинники.

Заміна шнура живлення (тільки для Великої Британії та Ірландії)

Якщо потрібно встановити нову вилку живлення:

- Зніміть стару вилку та утилізуйте її, дотримуючись правил техніки безпеки.
- Приєднайте коричневий провідник до активного виходу нової вилки.
- Приєднайте блакитний провідник до нейтрального виходу.



Увага! Жоден провідник не має бути підключений до клеми заземлення.



Дотримуйтеся інструкцій щодо налаштування, що постачаються з якісними вилками.

Плакий запобіжник, що рекомендується: 5 А.

Захист навколишнього середовища



Роздільний збір. Пристрої та акумулятори, позначені цим символом, не можна викидати із звичайним побутовим сміттям.

Пристрої та акумулятори містять матеріали, які можна відновити та переробити, що зменшить потребу у сировині. Будь ласка, віддавайте електричні інструменти та акумулятори на переробку відповідно до місцевих постанов. Більш детальну інформацію можна отримати на сайті

www.2helpU.com

Технічні характеристики

		SFMC500
Напруга	V _{пост. струму}	18 В
Швидкість без навантаження	об/хв	0-4000
Макс. глибина розрізу	мм	54
Максимальна глибина розрізу під кутом нахилу 45°	мм	45
Діаметр пильного диска	мм	165
Діаметр отвору диска	мм	16
Товщина різальної кромки диска	мм	2,0
Маса	кг	3,4

Зарядний пристрій		SFMCB11	SFMCB12	SFMCB14
Вхідна напруга	V _{зиск. струму}	230	230	230
Вихідна напруга	V _{пост. струму}	18	18	18
Струм	A	1,25	2	4

Батарея		SFMCB201	SFMCB202	SFMCB204	SFMCB206
Напруга	V _{пост. струму}	18	18	18	18
Ємність	Ам-пер-годин	1,5	2,0	4,0	6,0
Тип		Літій-іонна	Літій-іонна	Літій-іонна	Літій-іонна

Рівень звукового тиску згідно з EN62841:

Звуковий тиск (L_{рА}) 86 дБ(А), похибка (К) 3 дБ(А)

Звукова потужність (L_{WA}) 97 дБ(А), похибка (К) 3 дБ(А)

Загальні значення вібрації (векторна сума трьох векторів) згідно з EN62841:

Розрізання дощок ($a_{h, CW}$) 1,6 м/с², похибка (K) 1,5 м/с²

Декларація про відповідність нормам ЄС

ДИРЕКТИВА ДЛЯ МЕХАНІЧНОГО ОБЛАДНАННЯ



SFMC500 – дискова пилка

Компанія STANLEY FATMAX заявляє, що зазначені виробни відповідають стандартам EN62841-1:2015, EN62841-2-5:2014.

Ці виробни також відповідають Директиві 2006/42/EC, 2014/30/EU і 2011/65/EU. Для отримання додаткової інформації зверніться до компанії STANLEY FATMAX за наведеною нижче адресою або прочитайте інформацію на зворотному боці цього посібника.

Для отримання додаткової інформації зверніться до компанії STANLEY FATMAX за наведеною нижче адресою або прочитайте інформацію на зворотному боці цього посібника.

Особа, яка підписалася нижче, несе відповідальність за упорядкування файлу технічних характеристик та робить цю заяву від компанії STANLEY FATMAX.

Ed Higgins (Ед Хіггінс)

Директор з побутових електроінструментів
STANLEY FATMAX Europe, Egide Walschaertsstraat 14-18,
2800 Мехелен, Бельгія
18.11.2019

FATMAX на 1 рік та місцезнаходження найближчого сервісного центру можна дізнатися в інтернеті на сайті www.2helpU.com або звернутися до місцевого представництва компанії STANLEY FATMAX за адресою,



Виробник:
"Stanley Black & Decker Deutschland GmbH" Black-&-Decker Str.40, D-65510 Idstein, Німеччина

Гарантія

Компанія STANLEY FATMAX впевнена в якості своєї продукції та пропонує споживачам гарантію тривалістю 12 місяців з дати покупки. Ця гарантія доповнює і жодним чином не обмежує ваші законні права. Ця гарантія є чинною на території країн-членів Європейського союзу та в європейській зоні вільної торгівлі.

Позив за гарантією повинен відповідати умовам компанії Stanley FATMAX, при цьому вам необхідно буде надати доказ покупки продавцю або спеціалісту офіційного сервісного центру. Умови гарантії компанії STANLEY

STANLEY
FATMAX

ГАРАНТІЙНИЙ ТАЛОН

3 РОКИ
ГАРАНТІЇ

- Вітаємо Вас з покупкою високоякісного виробу Stanley FATMAX і висловлюємо вдячність за Ваш вибір.
- При покупці виробу вимагайте перевірки його комплектності і справності у Вашій присутності, інструкцію з експлуатації та заповнений гарантійний талон українською мовою. В гарантійному талоні повинні бути внесені: модель, дата продажу, серійний номер, дата виробництва інструменту; назва, печатка і підпис торгової організації. За відсутності у Вас правильно заповненого гарантійного талону, а також при невідповідності зазначених у ньому даних ми будемо змушені відхилити Ваші претензії щодо якості даного виробу.
- Щоб уникнути непорозуміння, переконливо просимо Вас перед початком роботи з виробом уважно ознайомитися з інструкцією з його експлуатації. Правовою основою справжніх гарантійних умов є чинне Законодавство. Гарантійний термін на даний виріб складає 36 місяців і обчислюється з дня продажу. У разі усунення недоліків виробу, гарантійний строк продовжується на період його перебування в ремонті. Термін служби виробу становить 5 років з дня продажу.
- У разі виникнення будь-яких проблем у процесі експлуатації виробу рекомендуємо Вам звертатися тільки в уповноважені сервісні центри Stanley FATMAX, адреси та телефони яких Ви зможете знайти в гарантійному талоні, на сайті www.2helpU.com або дізнатися в магазині. Наші сервісні станції - це не тільки кваліфікований ремонт, але і широкий асортимент запчастин і аксесуарів.
- Виробник рекомендує проводити періодичну перевірку і технічне обслуговування виробу в уповноважених сервісних центрах.
- Наші гарантійні зобов'язання поширюються тільки на несправності, виявлені протягом гарантійного терміну і викликані дефектами виробництва та \ або матеріалів.
- Гарантійні умови не поширюються на несправності виробу, що виникли в результаті:
 - Недотримання користувачем приписів інструкції з експлуатації виробу, застосування виробу не за призначенням, неправильного зберігання, використання приладдя, витратних матеріалів і запчастин, що не передбачені виробником.
 - Механічного пошкодження (відколю, тріщини і руйнування) внутрішніх і зовнішніх деталей виробу, основних і допоміжних рукояток, мережевого кабелю, що викликані зовнішнім ударним або будь-яким іншим впливом
 - Потраплення у вентиляційні отвори та проникнення всередину виробу сторонніх предметів, матеріалів або речовин, що не є відходами, які супроводжують застосування виробу за призначенням, такими як: стружка, тирса, пісок, та ін.
 - Впливу на виріб несприятливих атмосферних і інших зовнішніх факторів, таких як дощ, сніг, підвищена вологість, нагрівання, агресивні середовища, невідповідність параметрів електромережі, що зазначені на інструменті.
 - Стихійного лиха. Пошкодження або втрати виробу, що пов'язані з непередбаченими лихами, стихійними явищами, у тому числі внаслідок дії непереборної сили (пожежа, блискавка, потоп і інші природні явища), а також внаслідок перепадів напруги в електромережі та іншими причинами, які знаходяться поза контролем виробника.
- Гарантійні умови не поширюються:
 - На інструменти, що піддавались розкриттю, ремонту або модифікації поза уповноваженим сервісним центром.
 - На деталі, вузли та матеріали, що мають сліди природного зносу, такі як: приводні реміні і колеса, вугільні щітки, мастило, підшипники, зубчасті зчеплення редукторів, гумові ущільнення, сальники, направляючі ролики, муфти, вимикачі, бойки, штовхачі, стволи тощо.
 - На змінні частини: патрони, цанги, затискні гайки і фланці, фільтри, ножі, шліфувальні підшови, ланцюги, зірочки, пильні шини, захисні кошуки, пилки, абразиви, пильні і абразивні диски, фрези, свердла, бури тощо
 - На несправності, що виникли в результаті перевантаження інструменту (як механічного, так і електричного), що спричинили вихід з ладу одночасно двох і більше деталей і вузлів, таких як: ротора і статора, обох обмоток статора, веденої і ведучої шестерні редуктора або інших вузлів і деталей. До безумовних ознак перевантаження виробу відносяться, крім інших: поява кольорів мільниці, деформація або оплавлення деталей і вузлів виробу, потемніння або обуглювання ізоляції проводів електродривуна під впливом високої температури.

Товар отриманий в справному стані, без видимих ушкоджень, в повній комплектації, перевірений у моїй присутності, претензій щодо якості товару не маю. З умовами гарантійного обслуговування ознайомлений і згоден.

П. І. Б. та підпис власника _____

Шановні клієнти, наша мережа авторизованих сервісних центрів постійно розширюється. Актуальну інформацію про обслуговування в місті, що цікавить вас, ви можете дізнатися на сайті

www.2helpU.com

Інформація про інструмент

Найменування інструменту	
Модель	
Найменування продавця	
Дата продажу	

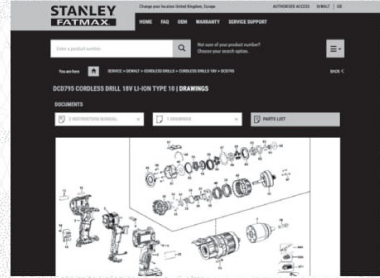
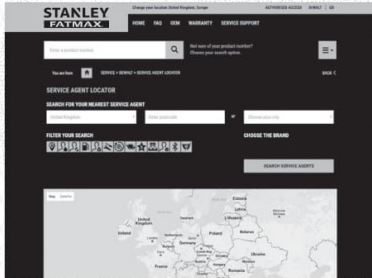
М.П.
Продавця

Серійний номер/Дата виробництва

Інструмент	
Зарядний пристрій	
Акумулятор 1	
Акумулятор 2	

На сайті www.2helpU.com доступні наступні функції:

- Список авторизованих сервісних центрів
- Зручний пошук найближчого сервісного центру
- Керівництво з експлуатації
- Технічні характеристики
- Список деталей і запасних частин
- Схема складання інструменту



Також дану інформацію ви можете отримати, зателефонувавши за номером:
0 (800) 211 521 в Україні

ВІДІТКА ПРО ПРОВЕДЕННЯ СЕРВІСНОГО ОБСЛУГОВУВАННЯ

№1	№2	№3	№4
№ замовлення	№ замовлення	№ замовлення	№ замовлення
Дата прийому	Дата прийому	Дата прийому	Дата прийому
Дата ремонту	Дата ремонту	Дата ремонту	Дата ремонту
Печатка і підпис сервісного центру	Печатка і підпис сервісного центру	Печатка і підпис сервісного центру	Печатка і підпис сервісного центру

