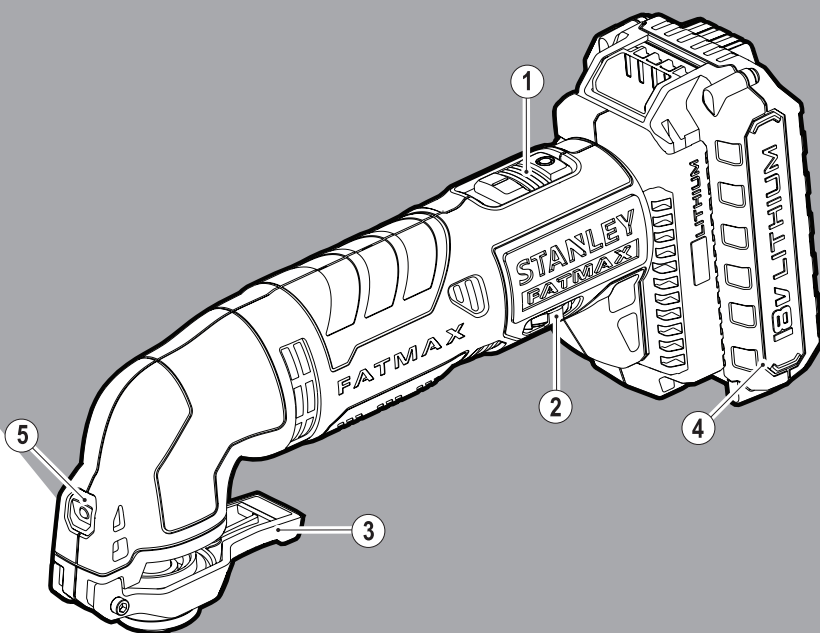


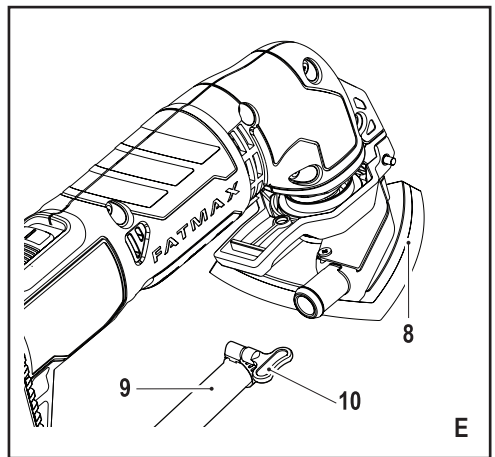
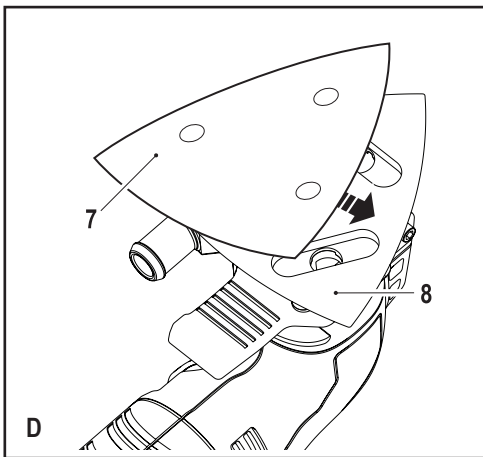
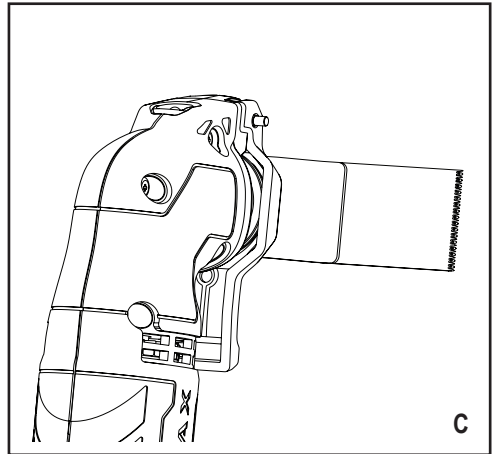
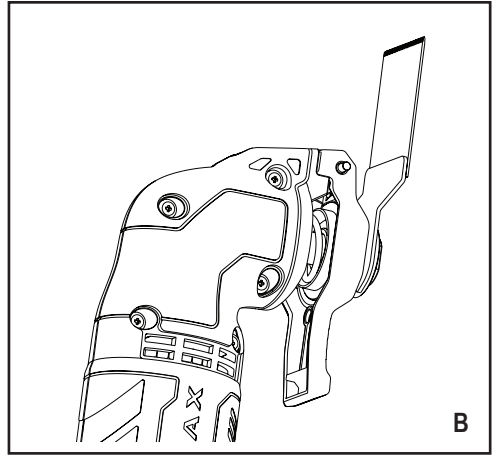
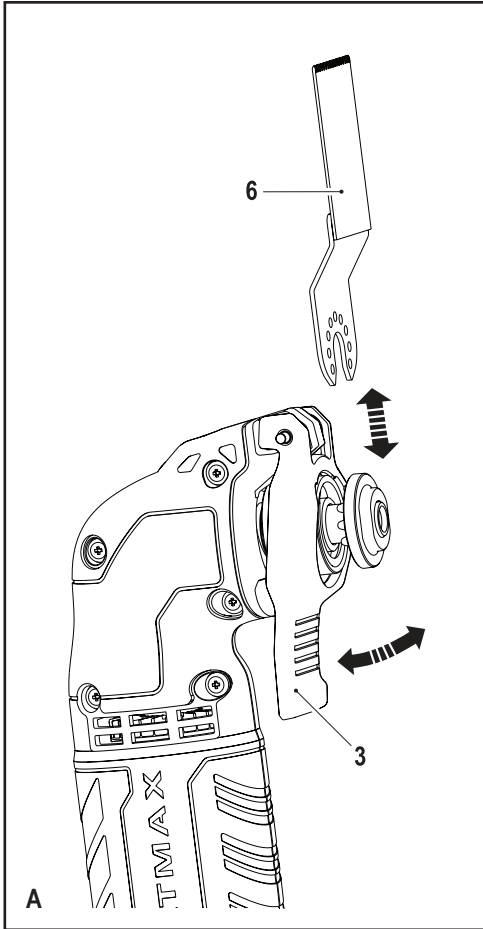
# STANLEY®

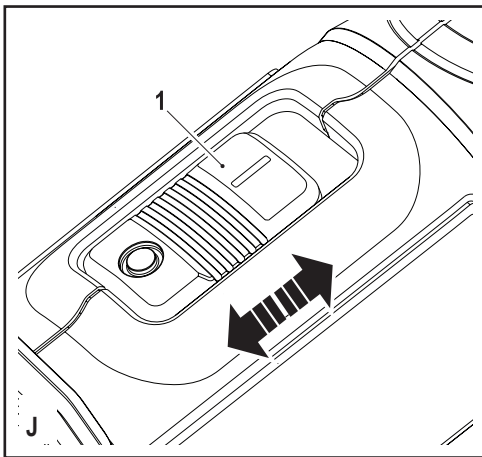
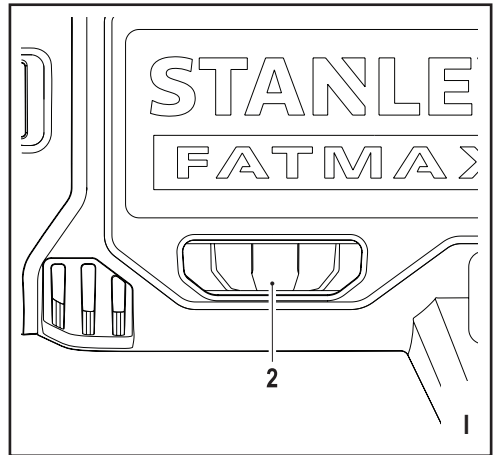
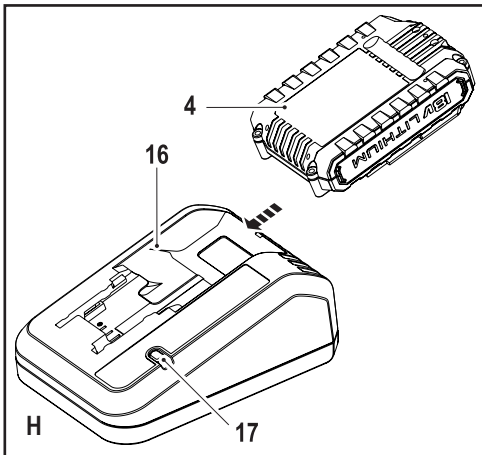
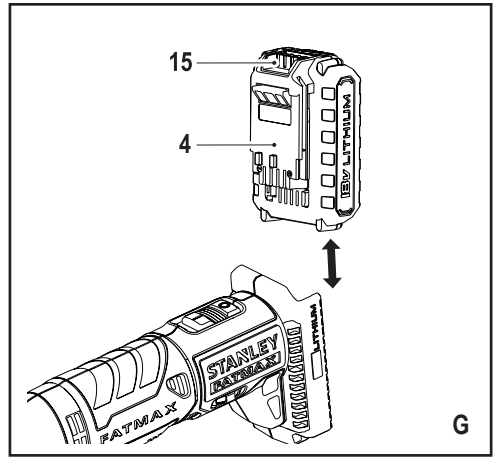
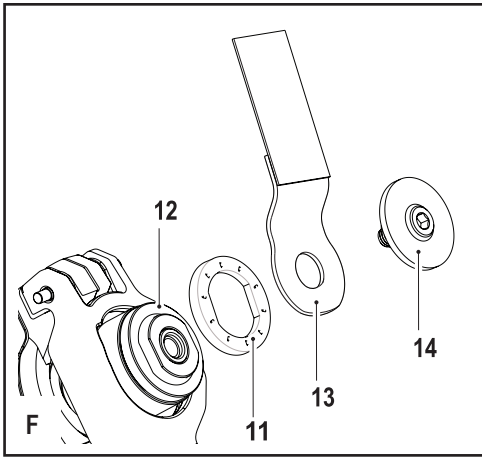
## FATMAX®



[www.stanley.eu](http://www.stanley.eu)

FMC710





## Intended use

Your Stanley Fat Max oscillating tool has been designed for DIY applications such as sanding operations. It is also suitable for cutting wooden materials, plastic, gypsum, non-ferrous metals and fastening elements (e.g., unhardened nails, staples), working soft wall tiles and scraping of small surfaces. This tool is intended for professional and private, non-professional users.

## Safety instructions

### General power tool safety warnings



**Warning!** Read all safety warnings and all instructions. Failure to follow the warnings and instructions listed below may result in electric shock, fire and/or serious injury.

### Save all warnings and instructions for future reference.

The term "power tool" in the warnings refers to your mains operated (corded) power tool or battery operated (cordless) power tool.

1. **Work area safety**
  - a. **Keep work area clean and well lit.** Cluttered or dark areas invite accidents.
  - b. **Do not operate power tools in explosive atmospheres, such as in the presence of flammable liquids, gases or dust.** Power tools create sparks which may ignite the dust or fumes.
  - c. **Keep children and bystanders away while operating a power tool.** Distractions can cause you to lose control.
2. **Electrical safety**
  - a. **Power tool plugs must match the outlet. Never modify the plug in any way. Do not use any adapter plugs with earthed (grounded) power tools.** Unmodified plugs and matching outlets will reduce risk of electric shock.
  - b. **Avoid body contact with earthed or grounded surfaces such as pipes, radiators, ranges and refrigerators.** There is an increased risk of electric shock if your body is earthed or grounded.
  - c. **Do not expose power tools to rain or wet conditions.** Water entering a power tool will increase the risk of electric shock.
  - d. **Do not abuse the cord. Never use the cord for carrying, pulling or unplugging the power tool. Keep cord away from heat, oil, sharp edges or moving parts.** Damaged or entangled cords increase the risk of electric shock.
  - e. **When operating a power tool outdoors, use an extension cord suitable for outdoor use.** Use of a cord suitable for outdoor use reduces the risk of electric shock.
  - f. **If operating a power tool in a damp location is unavoidable, use a residual current device (RCD) protected supply.** Use of an RCD reduces the risk of electric shock.
3. **Personal safety**
  - a. **Stay alert, watch what you are doing and use common sense when operating a power tool. Do not use a power tool while you are tired or under the influence of drugs, alcohol or medication.** A moment of inattention while operating power tools may result in serious personal injury.
  - b. **Use personal protective equipment. Always wear eye protection.** Protective equipment such as dust mask, non-skid safety shoes, hard hat, or hearing protection used for appropriate conditions will reduce personal injuries.
  - c. **Prevent unintentional starting. Ensure the switch is in the off-position before connecting to power source and/or battery pack, picking up or carrying the tool.** Carrying power tools with your finger on the switch or energising power tools that have the switch on invites accidents.
  - d. **Remove any adjusting key or wrench before turning the power tool on.** A wrench or a key left attached to a rotating part of the power tool may result in personal injury.
  - e. **Do not overreach. Keep proper footing and balance at all times.** This enables better control of the power tool in unexpected situations.
  - f. **Dress properly. Do not wear loose clothing or jewellery. Keep your hair, clothing and gloves away from moving parts.** Loose clothes, jewellery or long hair can be caught in moving parts.
  - g. **If devices are provided for the connection of dust extraction and collection facilities, ensure these are connected and properly used.** Use of dust collection can reduce dust-related hazards.
4. **Power tool use and care**
  - a. **Do not force the power tool. Use the correct power tool for your application.** The correct power tool will do the job better and safer at the rate for which it was designed.
  - b. **Do not use the power tool if the switch does not turn it on and off.** Any power tool that cannot be controlled with the switch is dangerous and must be repaired.
  - c. **Disconnect the plug from the power source and/or the battery pack from the power tool before making any adjustments, changing accessories, or storing power tools.** Such preventive safety measures reduce the risk of starting the power tool accidentally.

- d. **Store idle power tools out of the reach of children and do not allow persons unfamiliar with the power tool or these instructions to operate the power tool.** Power tools are dangerous in the hands of untrained users.
  - e. **Maintain power tools. Check for misalignment or binding of moving parts, breakage of parts and any other condition that may affect the power tools operation. If damaged, have the power tool repaired before use.** Many accidents are caused by poorly maintained power tools.
  - f. **Keep cutting tools sharp and clean.** Properly maintained cutting tools with sharp cutting edges are less likely to bind and are easier to control.
  - g. **Use the power tool, accessories and tool bits etc. in accordance with these instructions, taking into account the working conditions and the work to be performed.** Use of the power tool for operations different from those intended could result in a hazardous situation.
5. **Battery tool use and care**
- a. **Recharge only with the charger specified by the manufacturer.** A charger that is suitable for one type of battery pack may create a risk of fire when used with another battery pack.
  - b. **Use power tools only with specifically designated battery packs.** Use of any other battery packs may create a risk of injury and fire.
  - c. **When battery pack is not in use, keep it away from other metal objects, like paper clips, coins, keys, nails, screws, or other small metal objects, that can make a connection from one terminal to another.** Shorting the battery terminals together may cause burns or a fire.
  - d. **Under abusive conditions, liquid may be ejected from the battery; avoid contact. If contact accidentally occurs, flush with water. If liquid contacts eyes, additionally seek medical help.** Liquid ejected from the battery may cause irritation or burns.
6. **Service**
- a. **Have your power tool serviced by a qualified repair person using only identical replacement parts.** This will ensure that the safety of the power tool is maintained.



**Warning!** Additional safety warnings for oscillating tools

- ◆ **Hold power tool by insulated gripping surfaces when performing an operation where the cutting accessory may contact hidden wiring.** Cutting accessory contacting a "live" wire may make exposed metal parts of the power tool "live" and could give the operator an electric shock

- ◆ **Use clamps or another practical way to secure and support the workpiece to a stable platform.** Holding the work by hand or against your body leaves it unstable and may lead to loss of control.



**Warning!** Contact with or inhalation of dusts arising from sanding applications may endanger the health of the operator and possible bystanders. Wear a dust mask specifically designed for protection against dust and fumes and ensure that persons within or entering the work area are also protected.

- ◆ Thoroughly remove all dust after sanding.
- ◆ Take special care when sanding paint which is possibly lead based or when sanding some woods and metal which may produce toxic dust:
  - ◆ Do not let children or pregnant women enter the work area.
  - ◆ Do not eat, drink or smoke in the work area.
  - ◆ Dispose of dust particles and any other debris safely.
- ◆ The intended use is described in this instruction manual. The use of any accessory or attachment or performance of any operation with this tool other than those recommended in this instruction manual may present a risk of personal injury and/or damage to property.
- ◆ The accessory will continue to move after releasing the switch. Always switch the tool off and wait for the accessory to come to a complete standstill before putting the tool down.
- ◆ **Keep hands away from cutting area.** Never reach underneath the work piece for any reason. Do not insert fingers or thumb into the vicinity of the reciprocating blade and blade clamp. Do not stabilize the saw by gripping the shoe.
- ◆ **Keep blades sharp.** Dull or damaged blades may cause the saw to swerve or stall under pressure. Always use the appropriate type of saw blade for the workpiece material and type of cut.
- ◆ When cutting pipe or conduit, make sure that they are free from water, electrical wiring, etc.
- ◆ Do not touch the workpiece or the blade immediately after operating the tool. They can become very hot.
- ◆ Be aware of hidden hazards, before cutting into walls, floors or ceilings, check for the location of wiring and pipes.

### Safety of others

- ◆ This appliance is not intended for use by persons (including children) with reduced physical, sensory or mental capabilities, or lack of experience and knowledge, unless they have been given supervision or instruction concerning use of the appliance by a person responsible for their safety.
- ◆ Children should be supervised to ensure that they do not play with the appliance.

### Residual risks.

Additional residual risks may arise when using the tool which may not be included in the enclosed safety warnings. These risks can arise from misuse, prolonged use etc.

Even with the application of the relevant safety regulations and the implementation of safety devices, certain residual risks can not be avoided. These include:

- ◆ Injuries caused by touching any rotating/moving parts.
- ◆ Injuries caused when changing any parts, blades or accessories.
- ◆ Injuries caused by prolonged use of a tool. When using any tool for prolonged periods ensure you take regular breaks.
- ◆ Impairment of hearing.
- ◆ Health hazards caused by breathing dust developed when using your tool (example:- working with wood, especially oak, beech and MDF.)

### Vibration

The declared vibration emission values stated in the technical data and the declaration of conformity have been measured in accordance with a standard test method provided by EN 60745 and may be used for comparing one tool with another. The declared vibration emission value may also be used in a preliminary assessment of exposure.

**Warning!** The vibration emission value during actual use of the power tool can differ from the declared value depending on the ways in which the tool is used. The vibration level may increase above the level stated.

When assessing vibration exposure to determine safety measures required by 2002/44/EC to protect persons regularly using power tools in employment, an estimation of vibration exposure should consider, the actual conditions of use and the way the tool is used, including taking account of all parts of the operating cycle such as the times when the tool is switched off and when it is running idle in addition to the trigger time.

### Labels on tool

The following pictograms are shown on the tool:



**Warning!** To reduce the risk of injury, the user must read the instruction manual.

### Additional safety instructions for batteries and chargers

#### Batteries

- ◆ Never attempt to open for any reason.
- ◆ Do not expose the battery to water.
- ◆ Do not store in locations where the temperature may exceed 40 °C.
- ◆ Charge only at ambient temperatures between 10 °C and 40 °C.
- ◆ Charge only using the charger provided with the tool.
- ◆ When disposing of batteries, follow the instructions given in the section "Protecting the environment".



**Do not attempt to charge damaged batteries.**

#### Chargers

- ◆ Use your Stanley Fat max charger only to charge the battery in the tool with which it was supplied. Other batteries could burst, causing personal injury and damage.
- ◆ Never attempt to charge non-rechargeable batteries.
- ◆ Have defective cords replaced immediately.
- ◆ Do not expose the charger to water.
- ◆ Do not open the charger.
- ◆ Do not probe the charger.



The charger is intended for indoor use only.



Read the instruction manual before use.

#### Electrical safety



Your charger is double insulated; therefore no earth wire is required. Always check that the mains voltage corresponds to the voltage on the rating plate. Never attempt to replace the charger unit with a regular mains plug.

- ◆ If the supply cord is damaged, it must be replaced by the manufacturer or an authorised Stanley Fat Max Service Centre in order to avoid a hazard.

## Features



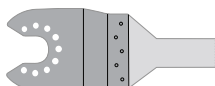
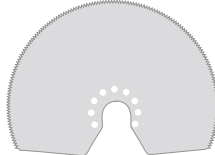
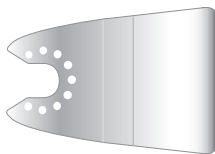
This tool includes some or all of the following features.


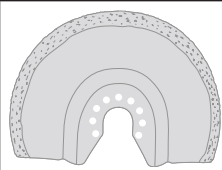
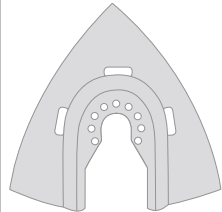
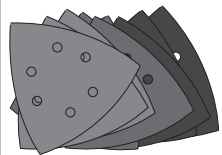
1. On/Off switch
2. Variable speed dial
3. Super-lok™ Tool free accessory clamping lever
4. Battery
5. LED Work light

## Accessories

This tool includes some or all of the following accessories.

The performance of your tool depends on the accessory used. Stanley Fat Max accessories are engineered to high quality standards and designed to enhance the performance of your tool. By using these accessories you will get the very best from your tool.

	<p><b>Precision plunge cut saw blade for wooden materials, soft plastics.</b> (Part number - STA26105-XJ)</p> <p>Separating, plunge and flush cutting of wood and soft plastics. Ideal for working on doors, skirting boards, windowsills and flooring.</p>
	<p><b>Plunge cut saw blade for wood and metal.</b> (Part number - STA26110-XJ)</p> <p>Separating, plunge and flush cutting of wood, plastics, thin-walled non-ferrous pipes and extrusions, nails and screws.</p>
	<p><b>Plunge cut saw blade for wood and metal.</b> (Part number - STA26115-XJ)</p> <p>Separating, plunge and flush cutting of wood, plastics, thin-walled non-ferrous pipes and extrusions.</p>
	<p><b>Segmented saw blade.</b> (Part number - STA26120-XJ)</p> <p>Long life blade which is ideal for cutting wood, plastics, thin walled ferrous and non-ferrous material.</p>
	<p><b>Rigid scraper.</b> (Part number - STA26135-XJ)</p> <p>Ideal for removal of hard and soft material from flat surfaces such as the removal of vinyl flooring, bonded carpet adhesive, tile floor adhesive, grout, paint and varnish.</p>

	<p><b>Flexible scraper.</b> (Part number - STA26140-XJ)</p> <p>Ideal for removal of elastomer materials from hard flat surfaces in difficult to reach areas such as silicon sealant and other caulking materials.</p>
	<p><b>Carbide grout removal blade.</b> (Part number - STA26125-XJ)</p> <p>Carbide coated surface ideal for clearing grout and tile adhesive from flat surfaces and for fast stock removal of wood, chipboard and fibreglass.</p>
	<p><b>Carbide rasp.</b> (Part number - STA26130-XJ)</p> <p>Carbide coated surface ideal for grout removal and for fast stock removal of plastics, chipboard and fibreglass.</p>
	<p><b>Sanding Sheets.</b> (Part number - STA32348-XJ)</p> <p>Various grades for sanding of wood, painted and varnished surfaces.</p>

## Assembly

### Fitting and removing the accessories (fig. A - F)

**Warning!** Before fitting an accessory, disconnect the tool from the mains supply.

#### Fitting a Stanley Fat Max accessory (fig. A - C)

- ◆ Hold the tool and squeeze the accessory clamping lever (3).
- ◆ Slide the accessory (6) between the shaft and the accessory holder making sure the accessory engages all eight pins on the holder and is flush with the shaft.
- ◆ Release the accessory clamping lever.

**Note:** Some accessories, such as scrapers and blades can be mounted at an angle if required (fig. C).

#### Removing a Stanley Fat Max accessory (fig. A)

- ◆ Hold the tool and squeeze the accessory clamping lever (3).
- ◆ Pull the accessory from the tool making sure the accessory dis-engages from all eight pins on the holder.
- ◆ Release the accessory clamping lever.

**Warning:** Gloves must be worn when removing accessories as then may become hot during use.

#### Fitting a sanding sheet (fig. D)

- ◆ Line up the sanding sheet (7) with the sanding base (8) as shown.
- ◆ Press the sheet firmly and evenly onto the sanding base, making sure that the holes in the sheet coincide with the holes in the base.

#### Removing a sanding sheet

- ◆ Pull the sanding sheet off the sanding base (8).

**Warning!** Never use the sanding base without a sanding sheet or accessory in place.

#### Fitting the dust extraction adaptor (fig. E)

- ◆ Line up the dust extraction adaptor (9) with the sanding base (8) as shown.
- ◆ Press the adaptor firmly and evenly in to the sanding base.
- ◆ Secure the adaptor by turning the locking nut (10) clockwise.
- ◆ Connect a vacuum cleaner to the dust extraction adaptor.

#### Removing the dust extraction adaptor

- ◆ Turn the locking nut (10) anti-clockwise.
- ◆ Pull the dust extraction adaptor (9) out of the sanding base (8).

#### Fitting alternative accessories (fig. F)

- ◆ Place the spacer (11) onto the collar (12).
- ◆ Place the alternative accessory (13) onto the collar (12).
- ◆ Firmly attach the fixing bolt (14) into place to ensure a tight fit for the alternative accessory (13).

**Note:** The spacer and fixing bolt are not used to attach Stanley Fat Max accessories. Black and decker accessories are attached using the Super-Lok™ Tool free accessory clamping lever.

#### Fitting and removing the battery (fig. G)

- ◆ To fit the battery (4), line it up with the receptacle on the tool. Slide the battery into the receptacle and push until the battery snaps into place.
- ◆ To remove the battery, push the release buttons (15) while at the same time pulling the battery out of the receptacle.

#### Use

**Warning!** Let the tool work at its own pace. Do not overload.

**Warning!** Before cutting into walls, floors or ceilings, check for the location of wiring and pipes.

#### Charging the battery (fig. H)

The battery needs to be charged before first use and whenever it fails to produce sufficient power on jobs that were easily done before. The battery may become warm while charging; this is normal and does not indicate a problem.

**Warning!** Do not charge the battery at ambient temperatures below 10 °C or above 40 °C. Recommended charging temperature: approx. 24 °C.

**Note:** The charger will not charge a battery if the cell temperature is below approximately 10 °C or above 40 °C. The battery should be left in the charger and the charger will begin to charge automatically when the cell temperature warms up or cools down.

- ◆ To charge the battery (4), insert it into the charger (16). The battery will only fit into the charger in one way. Do not force. Be sure that the battery is fully seated in the charger.

- ◆ Plug in the charger and switch on at the mains.

The charging indicator (17) will blink.

The charge is complete when the charging indicator (17) switches to continuously on. The charger and the battery can be left connected indefinitely. The LED will switch on as the charger occasionally tops up the battery charge.

- ◆ Charge discharged batteries within 1 week. Battery life will be greatly diminished if stored in a discharged state.

#### Leaving the battery in the charger

The charger and battery pack can be left connected with the LED glowing indefinitely. The charger will keep the battery pack fresh and fully charged.

#### Charger diagnostics

If the charger detects a weak or damaged battery, the charging indicator (17) will flash red at a fast rate. Proceed as follows:

- ◆ Re-insert the battery (4).
- ◆ If the charging indicators continues flashing red at a fast rate, use a different battery to determine if the charging process works properly.
- ◆ If the replaced battery charges correctly, the original battery is defective and should be returned to a service centre for recycling.
- ◆ If the new battery gives the same indication as the original battery, take the charger to be tested at an authorised services centre.

**Note:** It may take as long as 30 minutes to determine that the battery is defective. If the battery is too hot or too cold, the LED will alternately blink red, fast and slow, one flash at each speed and repeat.



### Variable speed control (fig. I)

The variable speed control allows you to adapt the speed of the tool to the application.

- ◆ Set the variable speed dial (2) to the desired setting. At setting 1 the tool will operate at low speed, 8,000 min<sup>-1</sup>. At setting 6 the tool will operate at the maximum speed, 18,000 min<sup>-1</sup>.

### Switching on and off (fig. J)

- ◆ To switch the tool on, slide the on/off switch (1) forward (position I).
- ◆ To switch the tool off, slide the on/off switch (1) to the rear (position O).

### LED work light

The LED work light (5) is activated automatically when the tool is switched on.

### Low-battery Indicator

If the LED worklight (5) begins to rapidly and continuously flash when the switch on the tool is depressed, the battery-pack power has run out, and the battery pack should be recharged.

Unlike other battery pack types, Lithium-Ion battery packs deliver fade-free power for their entire run time. The tool will not experience a slow, gradual loss of power as you work. To signal that the battery pack is at the end of its run time and needs to be recharged, the power to the tool will drop quickly.

**Note: The LED may also flash due to an overload or high temperature (see Battery Protection).**

### Hints for optimum use

- ◆ Always hold the tool securely. For precision work, hold the tool near the front.
- ◆ Clamp the workpiece whenever possible, especially when using cutting blades.
- ◆ Do not exert too much pressure on the tool.
- ◆ Always use the appropriate type of attachment for the workpiece material and type of cut.
- ◆ Regularly check the condition of accessories. Replace when necessary.
- ◆ Mark the desired starting point.
- ◆ Switch the tool on and slowly feed attachments into the workpiece at the desired starting point.
- ◆ Clamp a piece of plywood or soft wood to the back of the workpiece and saw through the combination in order to obtain a clear cut.
- ◆ Do not force the cutting blade into the workpiece. Note that cutting sheet metal will normally take more time than sawing thicker wooden workpieces.
- ◆ When cutting metal spread a thin film of oil along the cutting line before cutting.

- ◆ When sanding new layers of paint before applying another layer, use extra fine grit.
- ◆ On very uneven surfaces, or when removing layers of paint, start with a coarse grit. On other surfaces, start with a medium grit. In both cases, gradually change to a fine grit for a smooth finish.
- ◆ Consult your retailer for more information on available accessories.

### Maintenance

Your Stanley Fat Max corded/cordless appliance/tool has been designed to operate over a long period of time with a minimum of maintenance. Continuous satisfactory operation depends upon proper tool care and regular cleaning.

**Warning!** Before performing any maintenance on corded/cordless power tools:

- ◆ Switch off and unplug the appliance/tool.
- ◆ Or switch off and remove the battery from the appliance/tool if the appliance/tool has a separate battery pack.
- ◆ Or run the battery down completely if it is integral and then switch off.
- ◆ Regularly clean the ventilation slots in your appliance/tool/charger using a soft brush or dry cloth.
- ◆ Regularly clean the motor housing using a damp cloth. Do not use any abrasive or solvent-based cleaner.

### Mains plug replacement (U.K. & Ireland only)

If a new mains plug needs to be fitted:

- ◆ Safely dispose of the old plug.
- ◆ Connect the brown lead to the live terminal in the new plug.
- ◆ Connect the blue lead to the neutral terminal.

**Warning!** No connection is to be made to the earth terminal. Follow the fitting instructions supplied with good quality plugs. Recommended fuse: 5 A.

### Protecting the environment



Separate collection. This product must not be disposed of with normal household waste.

Should you find one day that your Stanley Fat Max product needs replacement, or if it is of no further use to you, do not dispose of it with household waste. Make this product available for separate collection.



Separate collection of used products and packaging allows materials to be recycled and used again. Re-use of recycled materials helps prevent environmental pollution and reduces the demand for raw materials.

Local regulations may provide for separate collection of electrical products from the household, at municipal waste sites or by the retailer when you purchase a new product.

Stanley Europe provides a facility for the collection and recycling of Stanley Fat Max products once they have reached the end of their working life. To take advantage of this service please return your product to any authorised repair agent who will collect them on our behalf.

You can check the location of your nearest authorised repair agent by contacting your local Stanley Europe office at the address indicated in this manual. Alternatively, a list of authorised Stanley Europe repair agents and full details of our after-sales service and contacts are available on the Internet at: [www.2helpU.com](http://www.2helpU.com)

**Batteries**



Stanley Fat Max batteries can be recharged many times. At the end of their useful life, discard batteries with due care for our environment:

- ◆ Run the battery down completely, then remove it from the tool.
- ◆ NiCd, NiMH and Li-Ion batteries are recyclable. Take them to any authorised repair agent or a local recycling station.

**Technical data**

		FMC710 (Type 1)
Voltage	V <sub>DC</sub>	18
No-load speed	min <sup>-1</sup>	8000 - 18000
Oscillating angle	Degrees	1.4 or 2.8
Weight	kg	1.4

Charger	905998**		906086**	
	typ. 1		typ. 1	
Input Voltage	V <sub>AC</sub>	230	230	
Output Voltage	V <sub>DC</sub>	18	18	
Current	A	1	2	
Approx. charge time	min	90 - 240	45 - 120	

Battery		FMC685L	FMC687L	FMC688L
Voltage	V <sub>DC</sub>	18	18	18
Capacity	Ah	1.5	2.0	4.0
Type		Li-Ion	Li-Ion	Li-Ion

<b>Level of sound pressure according to EN 60745:</b>
Sound pressure (L <sub>PA</sub> ) 94.2 dB(A), uncertainty (K) 3 dB(A)
Sound power (L <sub>WA</sub> ) 105.2 dB(A), uncertainty (K) 3 dB(A)
<b>Vibration total values (triax vector sum) according to EN 60745:</b>
Cutting wood (a <sub>h, CW</sub> ) 7.9 m/s <sup>2</sup> , uncertainty (K) 1.5 m/s <sup>2</sup>
Cutting metal (a <sub>h, CM</sub> ) 7.9 m/s <sup>2</sup> , uncertainty (K) 1.5 m/s <sup>2</sup>
Sanding (a <sub>h</sub> ) 8.2 m/s <sup>2</sup> , uncertainty (K) 1.5 m/s <sup>2</sup>

**EC declaration of conformity**  
MACHINERY DIRECTIVE



Cordless Oscillating Tool - FMC710

Stanley Europe declares that these products described under "technical data" are in compliance with: 2006/42/EC, EN 60745-1, EN 60745-2-4

These products also comply with Directive 2004/108/EC and 2011/65/EU. For more information, please contact Stanley Europe at the following address or refer to the back of the manual.

The undersigned is responsible for compilation of the technical file and makes this declaration on behalf of Stanley Europe.

Kevin Hewitt  
Vice-President Global Engineering  
Stanley Europe, Egide Walschaertsstraat 14-18,  
2800 Mechelen, Belgium  
13/02/2020

**Guarantee**

Stanley Europe is confident of the quality of its products and offers an outstanding guarantee for professional users of the product. This guarantee statement is in addition to and in no way prejudices your contractual rights as a private non-professional user. The guarantee is valid within the territories of the Member States of the European Union and the European Free Trade Area.

### ONE-YEAR FULL WARRANTY

If your Stanley Fat Max product becomes defective due to faulty materials or workmanship within 12 months from the date of purchase, Stanley Europe guarantees to replace all defective parts free of charge or – at our discretion – replace the unit free of charge provided that:

- ◆ The product has not been misused and has been used in accordance with the instruction manual.
- ◆ The product has been subject to fair wear and tear;
- ◆ Repairs have not been attempted by unauthorised persons;
- ◆ Proof of purchase is produced.
- ◆ The Stanley Fat Max product is returned complete with all original components

If you wish to make a claim, contact your seller or check the location of your nearest authorised Stanley Fat Max repair agent in the Stanley Fat Max catalogue or contact your local Stanley office at the address indicated in this manual. A list of authorised Stanley Fat Max repair agents and full details of our after sales service is available on the internet at: [www.stanley.eu/3](http://www.stanley.eu/3)

## Назначение

Многофункциональный инструмент Stanley FatMax предназначен для любительских проектов, таких как шлифование. Он также пригоден для распиловки древесины, пластмассы, гипса, цветных металлов и крепежных элементов (мягких гвоздей, скоб), обработки мягкой настенной плитки и зачистки небольших поверхностей. Данный инструмент предназначен для профессионального использования, а также для бытового использования частными пользователями.

## Правила техники безопасности

### Общие правила безопасности при работе с электроинструментом



**Внимание!** Полностью прочтите инструкции по технике безопасности и все руководства по эксплуатации. Несоблюдение представленных ниже предупреждений и инструкций может привести к поражению электрическим током, возгоранию и/или тяжелым травмам.

Сохраните все инструкции для последующего обращения к ним. Термин «электроинструмент» в предупреждениях относится к питаемому от электросети (проводному) или от аккумуляторных батарей (беспроводному) электроинструменту.

#### 1. Безопасность на рабочем месте

- a. **Содержите рабочее место в чистоте и обеспечьте его хорошую освещенность.** Плохое освещение или беспорядок на рабочем месте может привести к несчастному случаю.
- b. **Не используйте электроинструмент во взрывоопасной атмосфере, например, при наличии горючих жидкостей, газов или пыли.** Искры, которые появляются при работе электроинструмента, могут привести к воспламенению пыли или паров.
- c. **Не разрешайте детям и посторонним лицам находиться рядом с вами при работе с электроинструментом.** Отвлекаясь от работы, вы можете потерять контроль над инструментом.

#### 2. Электробезопасность

- a. **Сетевые вилки электроинструмента должны соответствовать розеткам. Никогда не меняйте вилку инструмента. Запрещается использовать переходники к вилкам для электроинструментов с заземлением.** Использование оригинальных штепсельных вилок, соответствующих типу сетевой розетки, снижает риск поражения электрическим

током.

- b. **Следует избегать контакта с заземленными поверхностями, такими как трубы, радиаторы, батареи и холодильники.** Если вы будете заземлены, увеличивается риск поражения электрическим током.
  - c. **Не допускайте нахождения электроинструментов под дождем или в условиях повышенной влажности.** При попадании воды в электроинструмент риск поражения электротоком возрастает.
  - d. **Бережно обращайтесь с кабелем питания. Никогда не используйте кабель для переноски инструмента, не тяните за него, пытаясь отключить инструмент от сети. Держите кабель подальше от источников тепла, масла, острых углов или движущихся предметов.** Поврежденный или запутанный кабель питания повышает риск поражения электротоком.
  - e. **При работе с электроинструментом вне помещения необходимо пользоваться удлинителем, рассчитанным на эксплуатацию в соответствующих условиях.** Использование кабеля питания, предназначенного для использования вне помещения, снижает риск поражения электрическим током.
  - f. **При необходимости эксплуатации электроинструмента в местах с повышенной влажностью используйте устройство защиты от токов замыкания на землю (УЗО).** Использование УЗО сокращает риск поражения электрическим током.
- #### 3. Обеспечение индивидуальной безопасности
- a. **При работе с электроинструментом сохраняйте бдительность, следите за своими действиями и пользуйтесь здравым смыслом. Не работайте с электроинструментом, если вы устали, находитесь в состоянии наркотического, алкогольного опьянения или под воздействием лекарственных препаратов.** Невнимательность при работе с электроинструментом может привести к серьезным телесным повреждениям.
  - b. **Используйте средства индивидуальной защиты. Всегда используйте защитные очки.** Средства защиты, такие как пылезащитная маска, обувь на нескользящей подошве, каска и защитные наушники, используемые при работе, уменьшают риск получения травм.
  - c. **Примите меры для предотвращения случайного включения.** Перед тем как подключить электроинструмент к сети и/или аккумуляторной батарее, взять инструмент или перенести его на другое место, убедитесь в том, что выключатель находится в положении «Выкл.». Если при

переноске электроинструмента он подключен к сети, и при этом ваш палец находится на выключателе, это может стать причиной несчастных случаев.

- d. **Уберите все регулировочные или гаечные ключи перед включением электроинструмента.** Ключ, оставленный на вращающейся части электроинструмента, может привести к травме.
  - e. **Не пытайтесь дотянуться до слишком удаленных поверхностей. Всегда твердо стойте на ногах, сохраняя равновесие.** Это позволит лучше контролировать электроинструмент в непредвиденных ситуациях.
  - f. **Надевайте подходящую одежду. Избегайте носить свободную одежду и ювелирные украшения.** Следите за тем, чтобы волосы, одежда и перчатки не попадали под движущиеся детали. Возможно наматывание свободной одежды, ювелирных изделий и длинных волос на движущиеся детали.
  - g. **При наличии устройств для подключения оборудования для удаления и сбора пыли необходимо обеспечить правильность их подключения и эксплуатации.** Использование устройства для пылеудаления сокращает риски, связанные с пылью.
- 4. Эксплуатация электроинструмента и уход за ним**
- a. **Избегайте чрезмерной нагрузки электроинструмента. Используйте электроинструмент в соответствии с назначением.** Правильно подобранный электроинструмент выполнит работу более эффективно и безопасно при стандартной нагрузке.
  - b. **Не используйте электроинструмент, если не работает его выключатель.** Любой электроинструмент, управлять выключением и включением которого невозможно, опасен, и его необходимо отремонтировать.
  - c. **Перед выполнением любой регулировки, заменой дополнительных принадлежностей или хранением электроинструмента отключите инструмент от сети или извлеките батарею из инструмента.** Такие превентивные меры безопасности сокращают риск случайного включения электроинструмента.
  - d. **Храните электроинструмент в недоступном для детей месте и не позволяйте работать с инструментом людям, не имеющим соответствующих навыков работы с такого рода инструментами.** Электроинструмент представляет опасность в руках неопытных пользователей.
  - e. **Проводите обслуживание электроинструментов.** Проверьте движущиеся детали на точность совмещения или заклинивание, поломку или какие-либо другие условия, которые могут

повлиять на эксплуатацию электроинструмента. В случае обнаружения повреждений, прежде чем приступить к эксплуатации электроинструмента, его нужно отремонтировать. Большинство несчастных случаев происходит из-за электроинструментов, которые не обслуживаются должным образом.

- f. **Необходимо содержать режущий инструмент в остро заточенном и чистом состоянии.** Вероятность заклинивания инструмента, за которым следят должным образом и который хорошо заточен, значительно меньше, а работать с ним легче.
  - g. **Используйте данный электроинструмент, а также дополнительные принадлежности и насадки в соответствии с данными инструкциями и с учетом условий и специфики работы.** Использование электроинструмента для выполнения операций, для которых он не предназначен, может привести к созданию опасных ситуаций.
- 5. Использование аккумуляторных электроинструментов и уход за ними**
- a. **Используйте для зарядки аккумуляторной батареи только указанное производителем зарядное устройство.** Использование зарядного устройства определенного типа для зарядки других батарей может привести к возгоранию.
  - b. **Используйте для электроинструмента только батареи указанного типа.** Использование других аккумуляторных батарей может стать причиной травмы и возгорания.
  - c. **Избегайте попадания внутрь батареи скрепок, монет, ключей, гвоздей, болтов или других мелких металлических предметов, которые могут вызывать замыкание ее контактов.** Короткое замыкание контактов батареи может привести к возгоранию или получению ожогов.
  - d. **При повреждении батареи, из нее может вытечь электролит; избегайте контакта с ним. При случайном контакте с электролитом смойте его водой. При попадании электролита в глаза обратитесь за медицинской помощью.** Жидкость, находящаяся внутри батареи, может вызвать раздражение или ожоги.
  - e. **Сервисное обслуживание**
    - a. **Обслуживание электроинструмента должно выполняться только квалифицированным техническим персоналом.** Это позволит обеспечить безопасность обслуживаемого электроинструмента.



**Внимание!** Дополнительные правила техники безопасности при использовании универсальных инструментов

- ◆ **Удерживайте инструмент за изолированные поверхности захватывания при выполнении работ, во время которых имеется вероятность контакта инструмента со скрытой электропроводкой.** При удерживании металлических деталей инструмента, в случае перерезания находящегося под напряжением провода, возможно поражение оператора электрическим током
- ◆ **Используйте зажимы или другие уместные средства фиксации заготовки на стабильной опоре.** Если держать заготовку руками или с упором в собственное тело, то можно потерять контроль над инструментом или заготовкой.



**Внимание!** Контакт с пылью или вдыхание пыли, которая может образоваться при шлифовании, представляет опасность здоровью оператора и тех, кто находится поблизости. Надевайте пылезащитную маску, которая специально предназначена для защиты от пыли и испарений, и обеспечивает защиту для людей, выполняющих эту работу или находящихся в зоне проведения работ.

- ◆ Тщательно удаляйте всю пыль после шлифования.
- ◆ Предпринимайте особые меры предосторожности при шлифовании окрашенных поверхностей, в составе краски которых может быть свинец, или шлифовании дерева и металла, пыль которых может быть токсична:
  - ◆ Не разрешайте детям или беременным женщинам находиться в рабочей зоне.
  - ◆ Запрещается принимать пищу, пить и курить на рабочем месте.
  - ◆ Необходимо обеспечить безопасную утилизацию пыли и другого мусора.
- ◆ Далее в руководстве приводятся виды работ, для которых предназначен данный инструмент. Применение любых принадлежностей и приспособлений, а также выполнение любых операций помимо тех, которые рекомендованы данным руководством, может привести к травме.
- ◆ Принадлежность продолжает вращаться после того, как будет отпущен пусковой выключатель. Всегда выключайте инструмент и подождите, пока принадлежность остановится перед тем, как положить инструмент.
- ◆ **Держите руки подальше от зоны разреза.** Никогда не наклоняйтесь над заготовкой. Не помещайте пальцы вблизи пильного полотна и его зажима. Не

устанавливайте пилу, удерживая ее за основание.

- ◆ **Следите за остротой заточки пильных полотен.** Тупые или поврежденные полотна могут привести к тому, что лобзик отклонится или заклинит под давлением. Всегда используйте полотна соответствующего типа для разных рабочих деталей и типа распила.
- ◆ При распиле трубы или трубопровода убедитесь в том, что в них нет воды, не проходит электропроводка и т. п.
- ◆ Не трогайте заготовку и полотно сразу после того как закончите работу. Они могут сильно нагреваться.
- ◆ Перед тем, как делать отверстия в стенах, полах или потолках, проверьте места прохождения проводки и трубопроводов.

### Безопасность окружающих

- ◆ Данный инструмент не предназначен для использования лицами (включая детей) с ограниченными физическими, сенсорными или ментальными возможностями, а также лицами без достаточного опыта и знаний, если только они не делают этого под руководством лица имеющего соответствующий опыт и отвечающего за их безопасность.
- ◆ Не позволяйте детям играть с данным инструментом.

### Остаточные риски.

При работе с данным инструментом возможно возникновение дополнительных остаточных рисков, которые не вошли в описанные здесь правила техники безопасности. Эти риски могут возникнуть при неправильном или продолжительном использовании изделия и т. п. Несмотря на соблюдение соответствующих инструкций по технике безопасности и использование предохранительных устройств, некоторые остаточные риски невозможно полностью исключить. К ним относятся:

- ◆ Травмы в результате касания вращающихся/движущихся частей.
- ◆ Травмы, которые могут произойти в результате смены деталей, ножей или дополнительных принадлежностей.
- ◆ Травмы, связанные с продолжительным использованием инструмента. При использовании любого инструмента в течение продолжительного периода времени, не забывайте делать перерывы.
- ◆ Ухудшение слуха.
- ◆ Ущерб здоровью в результате вдыхания пыли в процессе работы с инструментом (например, при обработке древесины, в особенности, дуба, бука и ДВП)

### Вибрация

Заявленные значения вибрации указанные в технических спецификациях и заявлении о соответствии были измерены в соответствии с стандартным методом тестирования

EN 60745 и могут быть использованы для сравнения инструментов. Заявленное значение эмиссии вибрации также может использоваться при предварительной оценке ее воздействия.

**Внимание!** Значение эмиссии вибрации в каждом конкретном случае применения электроинструмента может отличаться от заявленного в зависимости от того, каким образом используется инструмент. Уровень вибрации может быть выше заявленного.

При оценке уровня вибрации для определения степени безопасности, предусмотренного 2002/44/ЕС для защиты людей, регулярно пользующихся электроинструментом при работе, нужно принимать во внимание уровень вибрации, реальные условия использования и способ использования инструмента, а также учитывать все этапы цикла работы - когда инструмент выключается, когда он работает на холостом ходу, а также время переключения с одного режима на другой.

### Условные обозначения на инструменте

На инструмент нанесены следующие обозначения:



**Внимание!** Во избежание риска получения травм, прочтите руководство по эксплуатации.

### Дополнительные меры безопасности при работе с аккумуляторными батареями и зарядными устройствами

#### Аккумуляторные батареи

- ◆ Никогда не пытайтесь разобрать аккумуляторные батареи.
- ◆ Не подвергайте аккумуляторные батареи воздействию воды.
- ◆ Не оставляйте в местах, где температура превышает 40 °С.
- ◆ Заряжайте только при температуре 10 °С - 40 °С.
- ◆ Заряжайте аккумуляторные батареи только с зарядным устройством, которое прилагается к инструменту.
- ◆ При утилизации батарей следуйте инструкциям, указанным в разделе «Защита окружающей среды».



**Не пытайтесь заряжать поврежденные аккумуляторные батареи.**

#### Зарядные устройства

- ◆ Используйте свое зарядное устройство Stanley Fat Max только для зарядки аккумуляторной батареи

инструмента, с которым оно поставлялось. Использование аккумуляторных батарей другого типа может привести к взрыву, травмам и повреждениям.

- ◆ Не пытайтесь заряжать одноразовые батареи.
- ◆ Немедленно заменяйте поврежденный кабель питания.
- ◆ Не подвергайте зарядное устройство воздействию воды.
- ◆ Не вскрывайте зарядное устройство.
- ◆ Не разбирайте зарядное устройство.



Зарядное устройство можно использовать только в помещении.



Перед началом работы прочтите руководство по эксплуатации.

### Электробезопасность



Ваше зарядное устройство имеет двойную изоляцию, поэтому не требует заземления. Необходимо обязательно убедиться в том, что напряжение источника питания соответствует указанному на паспортной табличке устройства. Никогда не пытайтесь заменить зарядное устройство обычной сетевой розеткой.

- ◆ Если поврежден сетевой кабель, его нужно заменить у производителя или в авторизованном сервисном центре Stanley Fat Max, чтобы избежать проблем.

### Составные части


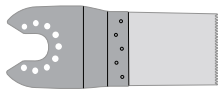
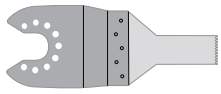
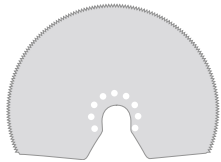
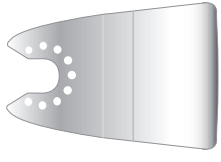
Данный инструмент может содержать все или некоторые из перечисленных ниже составных частей.

1. Пусковой выключатель
2. Дисковый регулятор скорости
3. Зажимной рычаг принадлежностей Super-lok™ без использования инструментов
4. Аккумуляторная батарея
5. Светодиодная подсветка

### Дополнительные принадлежности

Этот инструмент включает в себя следующие принадлежности или некоторые из них.

Производительность вашего инструмента напрямую зависит от используемых принадлежностей. Принадлежности Stanley Fat Max изготовлены в соответствии с самыми высокими стандартами качества и способны увеличить производительность вашего инструмента. Используя эти принадлежности, вы достигнете наилучших результатов в работе.

	<p><b>Пильное полотно для выполнения точных врезных распилов в древесине и мягкой пластмассе.</b> (Номер детали - STA26105-XJ) Отрезание, врезание и пиление заподлицо древесины и мягкой пластмассы. Идеально подходит для работы с дверьми, плинтусами, подоконниками и настилки полов.</p>
	<p><b>Пильное полотно для выполнения врезных распилов в древесине и металле.</b> (Номер детали - STA26110-XJ) Отрезание, врезание и пиление заподлицо древесины, пластмассы, толстостенных труб из цветных металлов, профилей, гвоздей и шурупов.</p>
	<p><b>Пильное полотно для выполнения врезных распилов в древесине и металле.</b> (Номер детали - STA26115-XJ) Отрезание, врезание и пиление заподлицо древесины, пластмассы, толстостенных труб из цветных металлов и профилей.</p>
	<p><b>Многосекционное пильное полотно.</b> (Номер детали - STA26120-XJ) Долговечное полотно, идеально подходящее для распиловки древесины, пластмассы, тонкостенных труб из черного и цветного металла.</p>
	<p><b>Жесткий скребок.</b> (Номер детали - STA26135-XJ) Идеально подходит для удаления твердых и мягких материалов с плоских поверхностей, например, виниловых напольных покрытий, коврового клея, клея для напольной плитки, раствора, краски и лака.</p>

	<p><b>Шлифкий скребок.</b> (Номер детали - STA26140-XJ) Идеально подходит для удаления эластомерных материалов с твердых плоских покрытий в труднодоступных местах, например, силиконового герметика и прочих уплотняющих материалов.</p>
	<p><b>Карбидное полотно для удаления цементного раствора.</b> (Номер детали - STA26125-XJ) Полотно с карбидным покрытием идеально подходит для удаления цементного раствора и клея для плитки с плоских поверхностей, а также для быстрого удаления древесины, ДСП и стекловолокна.</p>
	<p><b>Карбидный инструмент.</b> (Номер детали - STA26130-XJ) Поверхность карбидным покрытием идеально подходит для удаления цементного раствора и быстрого удаления пластмассы, ДСП и стекловолокна.</p>
	<p><b>Шлифовальные листы.</b> (Номер детали - STA32348-XJ) Наждачные листы разной зернистости для обработки древесины, окрашенных и лакированных поверхностей.</p>

## Сборка

### Установка и снятие принадлежностей (Рис. А - F)

**Внимание!** Перед установкой принадлежностей отсоедините инструмент от сети.

#### Установка принадлежности Stanley FatMax (Рис. А-С)

- ◆ Удерживайте инструмент и сожмите рычаг зажима принадлежности (3).
- ◆ Установите принадлежность (6) между валом и держателем принадлежности и убедитесь, что принадлежность установлена на все восемь выступов и расположена заподлицо с валом.
- ◆ Отпустите рычаг зажима принадлежностей.

**Примечание:** В случае необходимости некоторые принадлежности, такие как скребки и полотна, можно установить под углом (Рис. С).



**Снятие принадлежности Stanley FatMax (Рис. А)**

- ◆ Удерживайте инструмент и сожмите рычаг зажима принадлежности (3).
- ◆ Снимите принадлежность с инструмента, убедившись, что она снята со всех восьми выступов держателя.
- ◆ Отпустите рычаг зажима принадлежностей.

**Внимание:** Поскольку принадлежности могут нагреваться во время работы, при их снятии необходимо надевать защитные перчатки.

**Установка шлифовальных листов (Рис. D)**

- ◆ Приложите шлифовальный лист (7) к шлифовальной подошве (8), как показано на изображении.
- ◆ Прижмите лист к шлифовальной подошве, убедившись в том, что отверстия на листе совпали с отверстиями в подошве.

**Снятие шлифовальных листов**

- ◆ Снимите шлифовальный лист со шлифовальной подошвы (8).

**Внимание!** Эксплуатация шлифовальной платформы без шлифовального листа или установленной принадлежности запрещена.

**Установка переходника для удаления пыли (Рис. E)**

- ◆ Совместите переходник для удаления пыли (9) со шлифовальной подошвой (8), как показано на изображении.
- ◆ Надежно вставьте переходник для удаления пыли в шлифовальную подошву.
- ◆ Закрепите переходник, поворачивая гайку (10) по часовой стрелке.
- ◆ Подсоедините пылесос к переходнику для удаления пыли.

**Снятие переходника для удаления пыли**

- ◆ Поворачивайте гайку (10) против часовой стрелки.
- ◆ Извлеките переходник для удаления пыли (9) из шлифовальной подошвы (8).

**Установка принадлежностей других марок (Рис. F)**

- ◆ Установите промежуточное кольцо (11) на муфту (12).
- ◆ Установите принадлежность (13) на муфту (12).
- ◆ Надежно затяните болт крепления (14) и убедитесь, что принадлежность должным образом закреплена (13).

**Примечание:** Промежуточное кольцо и болт крепления не используются для закрепления принадлежностей Stanley FatMax. Принадлежности Black and decker крепятся с помощью зажимного рычага Super-lok™ без использования инструментов.

**Установка и снятие аккумуляторной батареи (Рис. G)**

- ◆ Для установки аккумуляторной батареи (4) совместите ее с приемным гнездом на инструменте. Вставьте аккумуляторную батарею в гнездо и надавите на нее, чтобы она встала на место.
- ◆ Чтобы извлечь батарею, нажмите на отпирающие кнопки (15), одновременно вытягивая батарею из гнезда.

**Использование**

**Внимание!** Инструмент должен работать в обычном режиме. Избегайте перегрузок.

**Внимание!** Перед тем как вырезать отверстия в стенах, полах или потолках проверьте места прохождения проводки и трубопровода.

**Зарядка аккумуляторной батареи (Рис. H)**

Аккумуляторную батарею нужно заряжать перед первым использованием и каждый раз, когда заряда недостаточно для выполняемых работ. Во время зарядки аккумуляторная батарея нагревается. Это нормальная ситуация, которая не указывает на неисправность.

**Внимание!** Не заряжайте батарею при температуре окружающей среды ниже 10 °С или выше 40 °С. Рекомендуемая температура при зарядке: приблизительно 24 °С.

**Примечание:** Зарядное устройство не будет заряжать аккумулятор, если температура элемента ниже 10 °С или выше 40 °С.

Аккумуляторную батарею нужно оставить в зарядном устройстве; зарядка начнется автоматически, когда температура элемента аккумуляторной батареи выровняется до нормальных значений.

- ◆ Вставьте батарею (4) в зарядное устройство (16) для выполнения зарядки. Аккумуляторная батарея устанавливается в зарядное устройство только одним способом. Не прилагайте чрезмерные усилия. Проследите, чтобы батарея полностью вошла в зарядное устройство.
- ◆ Подключите зарядное устройство к сети и включите его.

Начнет мигать индикатор зарядки (17).

Зарядка завершена, если индикатор зарядки (17) будет непрерывно гореть. Зарядное устройство и аккумуляторную батарею можно оставить подключенными на неопределенное время. Светодиод будет включаться по мере периодической полной зарядки зарядным устройством.

- ◆ Заряжайте разряженные батареи 1 раз в неделю. Срок службы аккумуляторной батареи значительно уменьшается, если ее хранить в разряженном состоянии.

## Хранение аккумуляторной батареи в зарядном устройстве

Зарядное устройство и аккумуляторную батарею можно оставить подключенными к сети с горящим светодиодным индикатором. Зарядное устройство будет поддерживать полную зарядку аккумуляторной батареи.

## Диагностика зарядного устройства

При фиксировании неисправности самого зарядного устройства или аккумулятора, индикатор зарядки (17) начнет мигать красным светом в ускоренном режиме.

Выполните следующие действия:

- ◆ Извлеките и повторно вставьте батарею (4).
- ◆ Если индикатор продолжает часто мигать красным светом, вставьте другую аккумуляторную батарею, чтобы убедиться, что процесс зарядки проходит в правильном режиме.
- ◆ Если сменная аккумуляторная батарея заряжается правильно, это означает, что первоначальная аккумуляторная батарея повреждена и должна быть сдана в сервисный центр на утилизацию.
- ◆ Если при установке сменной батареи наблюдается то же частое мигание, что и при установке первоначальной батареи, отнесите зарядное устройство в сервисный центр для тестирования.

**Примечание:** На определение неисправности аккумуляторной батареи может понадобиться приблизительно 30 минут. Если аккумуляторная батарея очень горячая или очень холодная, красный светодиод будет попеременно мигать быстро и медленно.

## Регулятор скорости (Рис. I)

Регулятор скорости позволяет адаптировать скорость инструмента в зависимости от применения.

- ◆ Установите дисковый регулятор скорости (2) в нужное положение. В положении 1 инструмент будет работать с наименьшей скоростью, 8 000 об/мин. В положении 6 инструмент будет работать с максимальной скоростью, 18 000 об/мин.

## Включение и выключение (Рис. J)

- ◆ Для включения инструмента переведите выключатель (1) вперед (в положение I).
- ◆ Для выключения инструмента переведите выключатель (1) назад (положение O).

## Светодиодная подсветка

Светодиодная подсветка (5) включается при нажатии на пусковую выключатель.

## Индикатор низкого заряда батареи

Если светодиодная подсветка (5) начинает непрерывно быстро мигать при нажатии на пусковую выключатель, это

означает, что батарея разряжена и требует подзарядки. В отличие от других типов аккумуляторов, ионно-литиевые аккумуляторы обеспечивают бесперебойное питание в течение всего времени работы. Инструмент не будет испытывать медленной, постепенной потери мощности во время работы. Чтобы сигнализировать о том, что аккумуляторная батарея находится в конце времени работы и нуждается в зарядке, мощность инструмента быстро падает.

**Примечание:** Светодиод также может мигать из-за перегрузки или высокой температуры (см. Защита аккумулятора).

## Советы по оптимальному использованию

- ◆ Держите инструмент крепко. Выполняя точную работу, удерживайте инструмент ближе к передней части.
- ◆ По возможности закрепляйте заготовку зажимами, особенно при использовании пильных полотен.
- ◆ Не применяйте к инструменту чрезмерное усилие.
- ◆ Всегда используйте принадлежности соответствующего типа для материалов заготовки и типа распила.
- ◆ Регулярно проверяйте состояние принадлежностей. Заменяйте по необходимости.
- ◆ Отметьте начальную точку.
- ◆ Включите инструмент и медленно поднесите принадлежность к заготовке в отмеченной точке.
- ◆ Чтобы свети к минимуму расщепление во время распиловки, прижмите кусок древесины или фанеры к задней части заготовки и распилите оба слоя одновременно.
- ◆ Не подавайте принадлежность к заготовку, применяя силу. Учтите, что резка листового металла обычно занимает больше времени, чем распиловка толстых заготовок из древесины.
- ◆ Перед резкой металла нанесите тонкий слой масла на линию разреза.
- ◆ При шлифовании новых слоев краски перед нанесением еще одного слоя, используйте мелкое зерно.
- ◆ На очень неровных поверхностях или при удалении краски начинайте с крупного зерна. На прочих поверхностях, начинайте со среднего зерна. В обоих случаях постепенно переходите на более мелкое зерно для более гладкой отделки.
- ◆ Проконсультируйтесь со своим продавцом для получения дополнительной информации о доступных принадлежностях.

## Техническое обслуживание

Проводной/беспроводной инструмент/устройство Stanley Fat Max имеет длительный срок эксплуатации и требует минимальных затрат на техобслуживание. Срок службы и надежность инструмента увеличивается при правильном уходе и регулярной чистке.

**Внимание!** Перед выполнением любых работ по обслуживанию проводных/беспроводных инструментов:

- ◆ Выключите и отключите от сети устройство/инструмент.
- ◆ Или выключите инструмент и вытащите аккумуляторную батарею, если для него есть отдельная аккумуляторная батарея.
- ◆ Или полностью выработайте заряд аккумуляторной батареи, если она встроенная и затем выключите инструмент.
- ◆ Регулярно очищайте вентиляционные отверстия зарядного устройства с помощью мягкой щетки или сухой тканевой салфетки.
- ◆ Регулярно очищайте корпус двигателя с помощью влажной салфетки. Не используйте никакие абразивные чистящие средства или средства на основе растворителей.

### Замена штепсельной вилки (только для Великобритании и Ирландии)

В случае необходимости установки новой вилки:

- ◆ Осторожно снимите старую вилку.
- ◆ Подсоедините коричневый провод к терминалу фазы в новой вилке.
- ◆ Подсоедините синий провод к нулевому терминалу.

**Внимание!** Заземления не требуется. Соблюдайте инструкции по установке вилок высокого качества. Рекомендованный предохранитель: 5 А.

### Защита окружающей среды



Отдельная утилизация. Это изделие нельзя утилизировать с обычными бытовыми отходами.

Если продукт Stanley Fat Max потребует замены или станет не нужен, не утилизируйте его вместе с бытовыми отходами. Утилизацию этого продукта нужно производить в пунктах раздельного сбора мусора.



Система раздельного сбора отработавших изделий и упаковочных материалов позволяет перерабатывать их и использовать повторно. Повторное использование переработанных материалов помогает защитить окружающую среду от загрязнения и сокращает потребность в сырье.

Местные нормативы могут предусматривать утилизацию электрических продуктов отдельно от бытовых отходов на муниципальных свалках или их возврат продавцу при покупке нового продукта.

Stanley Europe осуществляет прием и переработку изделий Stanley Fat Max по окончании срока их службы. Чтобы воспользоваться этой услугой, верните изделие любому уполномоченному специалисту по ремонту, который осуществляет их сбор от нашего лица.

Адрес ближайшего уполномоченного специалиста по ремонту можно получить, обратившись в местное представительство компании Stanley Europe по адресу, указанному в настоящем руководстве. Кроме того, список авторизованных агентов по ремонту Stanley Europe и подробную информацию о послепродажном обслуживании и контактах можно найти на веб-сайте: [www.2helpU.com](http://www.2helpU.com)

### Аккумуляторные батареи



Аккумуляторные батареи Stanley Fat Max могут заряжаться многократно. По окончании срока эксплуатации их следует утилизировать, соблюдая при этом необходимые меры по защите окружающей среды:

- ◆ Разрядите батарею до конца и извлеките ее из инструмента.
- ◆ NiCd, NiMH и Li-Ion аккумуляторы подлежат переработке. Сдайте их в любой авторизованный сервисный центр или в местный центр вторичной переработки.

### Технические характеристики

		FMC710 (Тип 1)
Напряжение	$V_{\text{пост. тока}}$	18
Скорость без нагрузки	$\text{мин}^{-1}$	8000 - 18000
Угол колебания	Градусы	1,4 или 2,8
Вес	кг	1,4

		905998**	906086**
		тип 1	тип 1
Входное напряжение	$V_{\text{перем. тока}}$	230	230
Выходное напряжение	$V_{\text{пост. тока}}$	18	18
Ток	A	1	2
Приблизительное время зарядки	мин.	90 - 240	45 - 120

Аккумуляторная батарея		FMC685L	FMC687L	FMC688L
		Напряжение	$V_{\text{пост. тока}}$	18
Емкость	Ач	1,5	2,0	4,0
Тип		Ионно-литиевая	Ионно-литиевая	Ионно-литиевая

Уровень звукового давления в соответствии с EN 60745:
Звуковое давление ( $L_{pA}$ ) 94,2 дБ (А), погрешность (К) 3 дБ (А)
Акустическая мощность ( $L_{WA}$ ) 105,2 дБ(А), погрешность (К) 3 дБ(А)
Сумма величин вибрации (сумма векторов по трем осям), измеренных в соответствии со стандартом EN 60745:
Пиление древесины ( $a_{h,CM}$ ) 7,9 $m/s^2$ , погрешность (К) 1,5 $m/s^2$
Резка металла ( $a_{h,CM}$ ) 7,9 $m/s^2$ , погрешность (К) 1,5 $m/s^2$
Зачистка ( $a_{h,CM}$ ) 8,2 $m/s^2$ , погрешность (К) 1,5 $m/s^2$

**Заявление о соответствии нормам ЕС**  
ДИРЕКТИВА ПО МЕХАНИЧЕСКОМУ ОБОРУДОВАНИЮ



Аккумуляторный универсальный инструмент - FMC710

Stanley Europe заявляет, что продукция, описанная в разделе «Технические характеристики» соответствует: 2006/42/ЕС, EN 60745-1, EN 60745-2-4.

Эти продукты также соответствуют Директивам 2004/108/ЕС и 2011/65/EU. За дополнительной информацией обращайтесь в компанию Stanley Europe по адресу, указанному ниже или приведенному на задней стороне обложки руководства.

Нижеподписавшийся несет ответственность за составление технической документации и составил данную декларацию по поручению компании Stanley Europe.

Кевин Хьюитт  
Вице-президент по глобальным конструкторским и технологическим вопросам  
Stanley Europe, Egide Walschaertsstraat 14-18,  
2800 Mechelen, Бельгия  
13/02/2020

Гарантия действует на территории стран-участниц ЕС и в Европейской зоне свободной торговли.

**ПОЛНАЯ ГОДОВАЯ ГАРАНТИЯ**

Если продукт Stanley Fat Max оказался дефектным в результате использования недоброкачественных материалов или качества выполнения работ в течение 12 месяцев с даты покупки, Stanley Europe гарантирует замену всех неисправных деталей бесплатно или - по нашему усмотрению – замену инструмента бесплатно, при условии что:

- ◆ Продукт не использовали не по назначению и с нарушением инструкций руководство по эксплуатации.
- ◆ Продукт имеет следы нормального износа;
- ◆ Не предпринимались попытки ремонта неуполномоченными лицами;
- ◆ Предоставлено свидетельство покупки.
- ◆ Изделие Stanley Fat Max возвращено в полной комплектации со всеми исходными компонентами

Для подачи требования обратитесь к продавцу, уточните местонахождения ближайшего уполномоченного специалиста по ремонту Stanley Fat Max в каталоге Stanley Fat Max или обратитесь в местный офис Stanley по адресу, указанному в данном руководстве. Список уполномоченных специалистов по ремонту Stanley Fat Max и подробную информацию о послепродажном обслуживании можно найти в интернете по адресу: [www.stanley.eu/3](http://www.stanley.eu/3)

**Гарантия**

Компания StanleyEurope отвечает за качество своей продукции и предлагает исключительную гарантию для профессиональных пользователей изделия. Это заявление о гарантии дополнительное и ни в коей мере не причиняет вред Вашим договорным и юридическим правам.



## Приложение к руководству по эксплуатации электрооборудования для определения месяца производства по номеру текущей календарной недели года

Электрооборудование торговых марок "Dewalt", "Stanley", "Stanley FatMAX", "BLACK+DECKER".

Директивы 2014/30/EU ЕВРОПЕЙСКОГО ПАРЛАМЕНТА И СОВЕТА от 26 февраля 2014 г. "О гармонизации законодательства Государств-членов ЕС в области электромагнитной совместимости", 2006/42/ЕС ЕВРОПЕЙСКОГО ПАРЛАМЕНТА И СОВЕТА от 17 мая 2006 г. "О машинах и оборудовании"; 2014/35/EU ЕВРОПЕЙСКОГО ПАРЛАМЕНТА И СОВЕТА от 26 февраля 2014 г. "О гармонизации законодательства государств-членов в области размещения на рынке электрооборудования, предназначенного для использования в определенных пределах напряжения". Серийный выпуск.

### ТОВАР СЕРТИФИЦИРОВАН

Орган по сертификации "РОСТЕСТ- Москва",  
Адрес: 119049, г. Москва, улица Житная, д. 14, стр. 1; 117418, Москва, Нахимовский просп., 31 (фактический),  
Телефон: (499) 1292311, (495) 6682893, Факс: (495) 6682893,  
E-mail: [office@rostest.ru](mailto:office@rostest.ru)  
Изготовитель: Изготовитель: Блэк энд Деккер Холдингс ГмБХ,  
Германия, 65510, Идштайн, ул. Блэк энд Деккер, 40,  
тел. +496126212790.

Уполномоченное изготовителем юр.лицо:

ООО "Стэнли Блэк энд Деккер", 117485, город Москва, улица Обручева, дом 30/1, строение 2  
Телефон: + 7 (495) 258-3981, факс: + 7 (495) 258-3984,  
E-mail: [inbox@dewalt.com](mailto:inbox@dewalt.com)  
Сведения о импортере указаны в сопроводительной документации и/или на упаковке

### Хранение.

Необходимо хранить в сухом месте, вдали от источников повышенных температур и воздействия солнечных лучей. При хранении необходимо избегать резкого перепада температур. Хранение без упаковки не допускается

### Срок службы.

Срок службы изделия составляет 5 лет. Не рекомендуется к эксплуатации по истечении 5 лет хранения с даты изготовления без предварительной проверки.

Дата изготовления (код даты) указана на корпусе инструмента/продукции.

Код даты, который также включает год изготовления, отштампован на поверхности корпуса изделия.

Пример:

2014 46 XX, где 2014 –год изготовления, 46-неделя изготовления. Определить месяц изготовления по указанной неделе изготовления можно согласно приведенной ниже таблице.

### Транспортировка.

Категорически не допускается падение и любые механические воздействия на упаковку при транспортировке. При разгрузке/погрузке не допускается использование любого вида техники, работающей по принципу зажима упаковки.

### Перечень критических отказов, возможные ошибочные действия персонала.

Не допускается эксплуатация изделия:

- При появлении дыма из корпуса изделия
- При поврежденном и/или оголенном сетевом кабеле
- При повреждении корпуса изделия, защитного кожуха, рукоятки
- При попадании жидкости в корпус
- При возникновении сильной вибрации
- При возникновении сильного искрения внутри корпуса

### Критерии предельных состояний.

- При поврежденном и/или оголенном сетевом кабеле
- При повреждении корпуса изделия

Месяц	Январь	Февраль	Март	Апрель	Май	Июнь	Июль	Август	Сентябрь	Октябрь	Ноябрь	Декабрь	Год производства
Неделя	1	5	9	14	18	23	27	31	36	40	44	49	2018
	2	6	10	15	19	24	28	32	37	41	45	50	
	3	7	11	16	20	25	29	33	38	42	46	51	
	4	8	12	17	21	26	30	34	39	43	47	52	
			13		22			35			48		
Неделя	1	6	10	14	18	23	27	31	36	40	45	49	2019
	2	7	11	15	19	24	28	32	37	41	46	50	
	3	8	12	16	20	25	29	33	38	42	47	51	
	4	9	13	17	21	26	30	34	39	43	48	52	
	5				22			35		44			
Неделя	1	6	10	14	19	23	27	32	36	40	45	49	2020
	2	7	11	15	20	24	28	33	37	41	46	50	
	3	8	12	16	21	25	29	34	38	42	47	51	
	4	9	13	17	22	26	30	35	39	43	48	52	
	5			18			31			44			
Неделя	2	6	10	14	19	23	27	32	36	41	45	49	2021
	3	7	11	15	20	24	28	33	37	42	46	50	
	4	8	12	16	21	25	29	34	38	43	47	51	
	5	9	13	17	22	26	30	35	39	44	48	52	
				18			31		40			1	
Неделя	2	6	10	15	19	23	28	32	36	41	45	49	2022
	3	7	11	16	20	24	29	33	37	42	46	50	
	4	8	12	17	21	25	30	34	38	43	47	51	
	5	9	13	18	22	26	31	35	39	44	48	52	
			14		27			40			1		

# STANLEY FATMAX®

**3 ГОДА ГАРАНТИИ**  
ТРЕБУЕТСЯ ОНЛАЙН РЕГИСТРАЦИЯ  
СТАНДАРТНАЯ ГАРАНТИЯ 1 ГОД  
подробные условия гарантии и формы регистрации см. по ссылке ниже  
[sfm.stanley.ru](http://sfm.stanley.ru)

## ГАРАНТИЙНЫЕ УСЛОВИЯ

### Уважаемый покупатель!

1. Поздравляем Вас с покупкой высококачественного изделия STANLEY FATMAX и выражаем признательность за Ваш выбор.
2. При покупке изделия требуйте проверки его комплектности и исправности в Вашем присутствии. В комплекте с инструментом должна быть инструкция по эксплуатации и гарантийные условия производителя на русском языке. Сохраняйте на весь срок гарантии Ваш документ, удостоверяющий факт покупки изделия. Убедитесь, что в чеке указаны: фискальный номер чека, модель/наименование изделия, дата продажи и название торговой организации.
3. Во избежание недоразумений убедительно просим Вас перед началом работы с изделием внимательно ознакомиться с инструкцией по его эксплуатации. Правовой основой настоящих гарантийных условий является действующее Законодательство. Гарантийный срок на данное изделие составляет 12 месяцев\* и исчисляется со дня продажи. В случае устранения недостатков изделия гарантийный срок продлевается на период его нахождения в ремонте. Срок службы изделия составляет 5 лет со дня продажи.
4. В случае возникновения каких-либо проблем в процессе эксплуатации изделия рекомендуем Вам обращаться только в уполномоченные сервисные центры STANLEY FATMAX, адреса и телефоны которых Вы можете найти на сайте [www.2helpU.com](http://www.2helpU.com) или узнать в магазине. Наши сервисные станции это не только квалифицированный ремонт, но и широкий ассортимент запчастей и принадлежностей.
5. Производитель рекомендует проводить периодическую проверку и техническое обслуживание изделия в уполномоченных сервисных центрах.
6. Наши гарантийные обязательства распространяются только на неисправности, выявленные в течение гарантийного срока и вызванные дефектами материалов или сборки изделия.
7. **Гарантийные условия не распространяются на неисправности изделия, возникшие в результате:**
  - 7.1. Несоблюдения пользователем предписаний инструкции по эксплуатации изделия, применения изделия не по назначению, неправильном хранении, использования принадлежностей, расходных материалов и запчастей, не предусмотренных производителем.
  - 7.2. Механического повреждения (сколы, трещины и разрушения) внутренних и внешних деталей изделия, основных и вспомогательных рукояток, сетевого электрического кабеля, вызванного внешним ударным или любым иным воздействием.
  - 7.3. Попадания в вентиляционные отверстия и проникновение внутрь



## ОБЯЗАТЕЛЬНО СОХРАНЯЙТЕ КАССОВЫЙ ЧЕК

изделия посторонних предметов, материалов или веществ, не являющихся отходами, сопровождающими применение изделия по назначению, такими как: стружка, опилки, песок, и пр.

7.4. Воздействий на изделие неблагоприятных атмосферных и иных внешних факторов, таких как дождь, снег, повышенная влажность, нагрев, агрессивные среды, несоответствие параметров питающей электросети, указанных на инструменте.

7.5. Стихийного бедствия. Повреждение или утрата изделия, связанное с непредвиденными бедствиями, стихийными явлениями, в том числе вследствие действия непреодолимой силы (пожар, молния, потоп и другие природные явления), а также вследствие перепадов напряжения в электросети и другими причинами, которые находятся вне контроля производителя.

### 8. Гарантийные условия не распространяются:

- 8.1. На инструменты, подвергавшиеся вскрытию, ремонту или модификации вне уполномоченного сервисного центра.
- 8.2. На детали и узлы, имеющие следы естественного износа, такие как: приводные ремни и колеса, угольные щетки, смазка, подшипники, зубчатое зацепление редукторов, резиновые уплотнения, сальники, направляющие ролики, муфты сцепления, бойки, толкатели, стволы, и т.п.
- 8.3. На сменные и расходные части: цанги, зажимные гайки и фланцы, фильтры, ножи, шлифовальные подошвы, цепи, звездочки, пыльные шины, защитные кожухи, пилки, абразивы, пыльные и абразивные диски, фрезы, сверла, буры и т.п.
- 8.4. На неисправности, возникшие в результате перегрузки инструмента (как механической, так и электрической), повлекшей выход из строя одновременно двух и более деталей и узлов, таких как ротора и статора, обеих обмоток статора, ведомой и ведущей шестерни редуктора или других узлов и деталей. К безусловным признакам перегрузки изделия относятся, помимо прочего: появление цветов побежалости, деформация или оплавление деталей и узлов изделия, потемнение или обугливание изоляции проводов электродвигателя под воздействием высокой температуры.

### \* Зарегистрируйте ваш новый электроинструмент STANLEY FATMAX чтобы получить 3 года гарантии.

- требуется регистрация продукта в течение 4-х недель со дня покупки;
- для регистрации посетите наш сайт [sfm.stanley.ru](http://sfm.stanley.ru)



Горячая линия

**8-800-1000-876**

Актуальную информацию об обслуживании  
в интересующем вас городе вы можете узнать на сайте  
**[service.stanley.ru](http://service.stanley.ru)**

- Список авторизованных сервисных центров
- Поиск ближайшего сервисного центра
- Руководство по эксплуатации
- Технические характеристики
- Список деталей и запасных частей
- Схема сборки инструмента

# ГАРАНТИЙНОЕ ОБСЛУЖИВАНИЕ

С БЕСПЛАТНОЙ ДОСТАВКОЙ

Теперь вы можете сдать инструмент в сервис, даже если его нет в вашем городе.

Скачать/распечатать инструкцию с сайта

[service.stanley.ru](http://service.stanley.ru)



Отметки о проведении сервисного обслуживания

№1	№2	№3	№4
№ заказа	№ заказа	№ заказа	№ заказа
Дата поступления	Дата поступления	Дата поступления	Дата поступления
Дата ремонта	Дата ремонта	Дата ремонта	Дата ремонта
Печать и подпись сервисного центра	Печать и подпись сервисного центра	Печать и подпись сервисного центра	Печать и подпись сервисного центра



## ПОДАРОК ЗА ОТЗЫВ\*

- 1 Зарегистрируйся на [my.stanley.ru](http://my.stanley.ru)
- 2 Напиши отзыв о покупке
- 3 Получи подарок на выбор\*\*



\*Акция проводится на территории Российской Федерации. Подробные условия акции указаны на [my.stanley.ru](http://my.stanley.ru)

\*\* Подарок может отличаться от изображенного, актуальный перечень см. на [my.stanley.ru](http://my.stanley.ru)

## Сфера застосування

Ваш універсальний інструмент виробництва компанії Stanley Fat Max призначений для виконання робіт по дому, наприклад, для шліфування поверхонь. Він також підходить для розрізання деревини, пластика, гіпсу, кольорових металів і кріпильних елементів (наприклад, цвяхів з незагартованої сталі, скоб), робіт з м'якою настінною плиткою і зачищення невеликих поверхонь. Цей пристрій призначений для професійного використання, а також для приватних непрофесійних користувачів.

## Інструкції з техніки безпеки

### Загальні правила безпеки для електричного інструмента



**Увага!** Прочитайте всі попередження та інструкції. Невиконання наведених нижче попереджень та інструкцій може призвести до ураження електричним струмом, пожежі та/або серйозних травм.

**Збережіть всі попередження та інструкції для використання в майбутньому.** Термін «електричний інструмент» в усіх попередженнях стосується використовуваних вами інструментів, що працюють від мережі енергоспоживання (з використанням електричного кабелю) або акумуляторів (без кабелю).

#### 1. Безпека робочої зони

- a. **Тримайте робочу зону чистою та добре освітленою.** Невпорядковані й темні робочі зони збільшують імовірність нещасного випадку.
- b. **Не використовуйте електричні інструменти у вибухонебезпечній атмосфері, наприклад у присутності займистих рідин, газів та пилю.** Електричні інструменти створюють іскри, що можуть запалити пил або випаровування.
- c. **Тримайте дітей та сторонніх подалі під час використання інструмента.** Відвернення уваги може призвести до втрати контролю.

#### 2. Електрична безпека

- a. **Вилка електричного інструмента має відповідати розетці. Ніколи жодним чином не змінюйте вилку. Не використовуйте адаптери з заземленими електричними інструментами.** Немодифіковані вилки та розетки, що відповідають їм, зменшують ризик ураження електричним струмом.
- b. **Уникайте контакту тіла із заземленими поверхнями, такими як труби, радіатори, плити та холодильники.** Якщо ваше тіло заземлене, збільшується ризик ураження електричним струмом.

- c. **Не залишайте електричні інструменти під дощем або за умов підвищеної вологості.** Вода, що потрапляє в електричний інструмент, підвищує ризик ураження електричним струмом.
- d. **Не використовуйте кабель живлення не за призначенням. Ніколи не переносьте, не тягніть та не відключайте електричний інструмент від розетки живлення за допомогою шнура. Тримайте шнур подалі від високих температур, мастила, гострих предметів та рухомих деталей.** Пошкоджені або перекручені шнури підвищують ризик ураження електричним струмом.
- e. **Під час експлуатації електричного інструмента на вулиці використовуйте подовжувальний шнур, що призначений для використання поза приміщеннями.** Використання шнура, що призначений для використання поза приміщенням, знижує ризик ураження електричним струмом.
- f. **Якщо неможливо уникнути використання електричного інструмента за умов підвищеної вологості, використовуйте джерело живлення, захищене пристроєм з керуванням диференційним струмом (RCD).** Використання RCD знижує ризик ураження електричним струмом.

#### 3. Особиста безпека

- a. **Будьте в стані готовності, дивіться, що ви робите, та будьте розсудливі, працюючи з електричним інструментом. Не використовуйте електричний інструмент, коли ви втомлені або знаходитесь під впливом наркотичних речовин, алкоголю або ліків.** Втрата уваги під час роботи з електричним інструментами може призвести до серйозних травм.
- b. **Використовуйте особисті засоби безпеки. Завжди використовуйте засоби захисту очей.** Засоби безпеки, такі як протипилова маска, нековзкі безпечні черевики, захисний шолом та засоби захисту слухового апарату, які використані для відповідних умов, зменшують імовірність особистих травм.
- c. **Уникайте випадкового запуску. Переконайтесь в тому, що перемикач знаходиться в позиції Вимк., перш ніж підключати інструмент до джерела живлення та/або акумулятора, перемішувати або переносити.** Якщо ви переносите інструмент, тримаючи палець на перемикачі, або підключаєте живлення з перемикачем в позиції Увімк., це може призвести до нещасного випадку.
- d. **Зніміть всі налаштувальні ключі або гайкові ключі перед вмиканням електричного інструмента.** Гайковий ключ, що залишився прикріпленим до якоїсь деталі електричного пристрою, що обертається, може призвести до травм.



- e. Не перенапружуйтеся. Завжди утримуйте правильну постановку ніг і рівновагу. Це дає вам змогу краще контролювати інструмент в непередбачуваних ситуаціях.
- f. Вдягайте відповідний одяг. Не вдягайте вільний одяг або прикраси. Тримайте ваше волосся, одяг та рукавички подалі від рухомих деталей. Вільний одяг, прикраси або довге волосся можуть зачепитися за рухомі деталі.
- g. Якщо передбачені пристрої для підключення до засобів виділення та збирання пилу, переконайтеся, що вони правильно підключені та використовуються. Використання таких пристроїв зменшує ризик виникнення небезпечних ситуацій, що пов'язані з потраплянням пилу.
4. Використання електричного інструмента та догляд за ним
- a. Не застосовуйте надмірні зусилля під час роботи з інструментом. Використовуйте електричний інструмент, який відповідає завданню, що виконується. Правильно обраний інструмент виконає завдання краще та безпечніше за умов, для яких він був розроблений.
- b. Не використовуйте інструмент, вмикач якого не вмикає та не вимикає його. Будь-який електричний інструмент, який не може управлятися вмикачем, є небезпечним і має бути відремонтований.
- c. Відключіть вилку від джерела живлення та/або зніміть акумуляторний блок з електричного інструмента перед тим, як робити будь-які налаштування, змінювати додаткове обладнання чи зберігати електричні інструменти. Ці профілактичні заходи зменшують ризик випадкового запуску електричного інструмента.
- d. Зберігайте вимкнені електричні інструменти подалі від дітей та не дозволяйте особам, що не знайомі з електричним інструментом або цими інструкціями, використовувати електричний інструмент. Електричні інструменти є небезпечними, якщо вони використовуються некваліфікованими користувачами.
- e. Технічне обслуговування електричних інструментів. Перевіряйте несумісність або заїдання рухомих деталей, наявність ушкоджених частин та інших умов, що можуть впливати на роботу електричного інструмента. Якщо є пошкодження, відремонтуйте електричний інструмент перед використанням. Багато нещасних випадків є результатом того, що інструмент не пройшов відповідного технічного обслуговування.
- f. Тримайте ріжучі інструменти гострими та чистими. Правильно доглянуті ріжучі інструменти з гострими ріжучими кромками мають меншу ймовірність заїдання,
- та ними легше керувати.
- g. Використовуйте електричний інструмент, приладдя та деталі інструмента тощо у відповідності до цих інструкцій, зважаючи на умови використання та роботу, яка має бути виконана. Використання електричних інструментів не за призначенням може призвести до виникнення небезпечних ситуацій.
5. Використання та догляд за інструментом, що працює від батареї
- a. Заряджайте інструмент лише за допомогою зарядного пристрою, що вказаний виробником. Зарядний пристрій, що може використовуватися з одним типом батарей, може призвести до пожежі, коли використовується з іншим комплектом батарей.
- b. Використовуйте електричні інструменти лише зі спеціально розробленими комплектами батарей. Використання інших комплектів батарей може призвести до травм або пожежі.
- c. Коли комплект батарей не використовується, зберігайте його подалі від таких металевих предметів, як скріпки, монети, ключі, цвяхи, гвинти або інші невеликі предмети, що можуть призвести до замикання двох контактів. Зімкнення терміналів батареї може призвести до вибуху або пожежі.
- d. За невідповідних умов використання рідина може витікати з батареї, уникайте контакту з цією рідиною. Якщо контакт таки стався, промийте забруднену ділянку водою. Якщо рідина потрапила в очі, промийте водою та зверніться до лікаря. Рідина, що витікає з батареї, може призвести до подразнень та опіків.
6. Обслуговування
- a. Передавайте електричний інструмент для обслуговування кваліфікованим спеціалістам з ремонту та використовуйте тільки ідентичні заміні деталі. Це забезпечить безпеку електричного пристрою.



**Увага!** Додаткові інструкції з техніки безпеки для універсальних інструментів

- ◆ Тримайте інструмент за ізольовану поверхню при виконанні операції, коли ріжучі аксесуари можуть торкнутися схованої проводки. У разі контакту різального приладдя з дротом під напругою може з'явитися напруга в металевих деталях інструмента, що може призвести до ураження оператора електричним струмом
- ◆ Використовуйте затискач або інший спосіб закріплення деталі, що оброблюється, на стабільній

**платформі.** Утримування деталі в руці та притискання її до тіла робить її нестабільною та може призвести до втрати контролю.



**Увага!** Вдихання пилу, що утворюється при шліфуванні може бути небезпечним для здоров'я оператора та навіть спостерігачів. Необхідно використовувати протипилову маску, яка призначена спеціально для захисту від пилу та випаровувань, та переконайтесь, що особи, які знаходяться в робочій зоні, також використовують засоби захисту.

- ◆ Ретельно видаляйте весь пил після шліфування.
- ◆ Будьте особливо обережні під час шліфування фарби, яка може містити свинець, а також шліфування деяких видів деревини та металу, під час чого може утворюватись токсичний пил:
  - ◆ Не дозволяйте дітям та вагітним жінкам заходити в робочу зону.
  - ◆ Забороняється їсти, пити та палити в робочій зоні.
  - ◆ Безпечно вилучайте пил та інше сміття.
- ◆ Використання за призначенням описане в цьому керівництві з використання. Використання будь-якого приладдя чи додаткового обладнання або виконання будь-яких дій з інструментом, що суперечать рекомендаціям цього посібника, може призвести до ризику травмування людини та/або пошкодження майна.
- ◆ Насадка продовжує рухатись після відпускання перемикача. Перед тим як покласти інструмент необхідно вимкнути його та зачекати, щоб насадка повністю зупинилась.
- ◆ **Тримайте руки подалі від ріжучої поверхні.** Ніколи не підставляйте руки під заготовку. Не підносьте пальці до пильного полотна із зворотно-поступальним рухом та до фіксатора пильного полотна. Не намагайтесь зробити пилку більш стійкою, тримаючись за опорну пластину.
- ◆ **Пильні полотна мають бути гострими.** Затуплені або пошкоджені пильні полотна спричиняють відхилення пилки від прямої лінії та заїдання під навантаженням. Завжди використовуйте відповідні пильні полотна залежно від матеріалу заготовки й типу розрізу.
- ◆ Під час розпилювання труб або трубопроводів переконайтесь, що в них немає води, електричних кабелів, тощо.
- ◆ Не торкайтесь заготовки та пильного полотна відразу після використання інструмента. Вони можуть бути дуже гарячими.
- ◆ Перед розпилюванням стін, підлоги та стелі пам'ятайте про приховану небезпеку, перевірте розташування кабелів та труб.

## Безпека оточення

- ◆ Цей пристрій не призначений для використання особами (включаючи дітей) із зниженими фізичними, сенсорними або розумовими можливостями або особами, яким бракує досвіду або знань за винятком випадків, коли такі особи працюють під наглядом або отримали інструкції щодо використання пристрою від особи, яка несе відповідальність за їх безпеку.
- ◆ Уважно слідкуйте за тим, щоб діти не гралися з пристроєм.

## Залишкові ризики

Під час використання інструмента можуть виникнути додаткові залишкові ризики, які не внесено до попереджень щодо техніки безпеки в цьому посібнику. Ці ризики можуть виникнути як результат неправильного використання, тривалого використання тощо.

Незважаючи на виконання всіх відповідних правил техніки безпеки та використання захисних пристроїв, неможливо уникнути деяких залишкових ризиків. Сюди належать:

- ◆ Травми через контакт з деталями, що рухаються/обертаються.
- ◆ Травми під час заміни деталей, пильних полотен або аксесуарів.
- ◆ Травми через занадто тривале використання інструменту. Під час використання будь-якого інструменту протягом тривалого періоду часу не забувайте робити регулярні перерви.
- ◆ Порушення слуху.
- ◆ Небезпека для здоров'я через вдихання пилу, що утворюється під час використання інструменту (наприклад, при роботі з деревом, особливо з дубом, буком та ДВП).

## Вібрація

Значення вібрації, вказані у технічних даних та у декларації про відповідність виміряні з дотриманням стандартних методів тестування, наданих в EN 60745, та їх можна використовувати для порівняння одного інструменту з іншим. Задекларовані значення вібрації можна також використовувати для попереднього оцінювання впливу вібрації.

**Увага!** Значення вібрації під час використання інструмента може відрізнятись від задекларованого в залежності від способів використання інструмента. Рівень вібрації може перевищувати вказані значення.

Оцінюючи вплив вібрації для визначення заходів безпеки за вимогами 2002/44/EC, щоб захистити людей, які регулярно використовують інструменти в роботі, необхідно враховувати реальні умови та способи використання інструмента, у тому числі всі періоди робочого циклу, наприклад час, коли інструмент вимкнено та коли він

працює в режимі холодного ходу, а також час, потрібний для запуску інструмента.

## Написи на інструменті

На інструменті є наступні піктограми:



**Увага!** Щоб зменшити ризик травм, користувач повинен прочитати посібник з експлуатації.

## Додаткові інструкції з техніки безпеки для батарей та зарядних пристроїв

### Батареї

- ◆ Ніколи не намагайтесь відкривати батарею.
- ◆ Не занурюйте батарею у воду.
- ◆ Не зберігайте у місцях, де температура може перевищувати 40 °C.
- ◆ Заряджайте лише за температури навколишнього середовища між 10 °C та 40 °C.
- ◆ Заряджайте лише за допомогою зарядного пристрою, що надається з інструментом.
- ◆ При утилізації батарей дотримуйтесь інструкцій, наведених у розділі «Захист навколишнього середовища».



**Не заряджайте пошкоджені батареї.**

### Зарядні пристрої

- ◆ Використовуйте зарядний пристрій Stanley Fat Max лише для зарядки батарей того інструменту, з яким він продавався. Інші батареї можуть вибухнути, спричинивши травми та пошкодження.
- ◆ Ніколи не намагайтесь заряджати батареї, що не підлягають зарядці.
- ◆ Негайно замінійте пошкоджений дріт живлення.
- ◆ Уникайте контакту зарядного пристрою з водою.
- ◆ Не відкривайте корпус зарядного пристрою.
- ◆ Не розбирайте зарядний пристрій.



Зарядний пристрій призначений лише для використання в приміщенні.



Прочитайте інструкції цього посібника перед використанням.

## Електрична безпека



Зарядний пристрій має подвійну ізоляцію, тому заземлення непотрібне. Завжди перевіряйте відповідність джерела живлення напрузі, що вказана на табличці з паспортними даними. Ніколи не намагайтесь замінити зарядний пристрій звичайним мережним штепселем.

- ◆ Якщо шнур живлення пошкоджений, його необхідно замінити у виробника або в офіційному сервісному центрі компанії Stanley Fat Max для уникнення небезпеки.

## Компоненти

Цей пристрій оснащено всіма або кількома з указаних нижче компонентів.

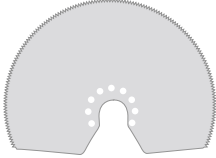
1. Вимикач
2. Дисковий перемикач змінної швидкості
3. Затискний перемикач Super-lok™ для заміни насадок без ключа
4. Батарея
5. Світлодіодний індикатор роботи

## Приладдя

Цей пристрій оснащено всіма або кількома з указаних нижче аксесуарів.

Продуктивність роботи інструмента залежить від приладдя, яке ви використовуєте. Витратні матеріали виробництва компанії Stanley Fat Max розроблені з дотриманням високих стандартів якості та створені для підвищення ефективності використання вашого інструмента. Використовуючи це обладнання, ви отримаєте максимум ефективності від вашого інструменту.

	<p><b>Занурювальне пильне полотно для високо-точного різання деревини і м'якого пластику.</b> (Деталь № STA26105-XJ)</p> <p>Для розрізання, занурювального розпилення і різання урівень деревини і м'якого пластику. Ідеально підходить для обробки дверей, плінтусів, підвіконь та підлогового покриття.</p>
	<p><b>Занурювальне пильне полотно для деревини і металу.</b> (Деталь № STA26110-XJ)</p> <p>Для розрізання, занурювального розпилювання та різання урівень деревини, пластику, тонкостінних труб і екструзій труб з кольорових металів, цвяхів і гвинтів.</p>

	<p><b>Занурювальне пильне полотно для деревини і металу.</b> (Деталь № STA26115-XJ)</p> <p>Для розрізання, занурювального розпилювання та різання урівень деревини, пластику, тонкостінних труб і екструзії труб з кольорових металів.</p>
	<p><b>Багатосекційне пильне полотно.</b> (Деталь № STA26120-XJ)</p> <p>Довговічне пильне полотно, яке ідеально підходить для різання деревини, пластику, тонкостінних матеріалів з кольорових і чорних металів.</p>
	<p><b>Жорсткий скребок.</b> (Деталь № STA26135-XJ)</p> <p>Ідеально підходить для видалення твердих і м'яких матеріалів з плоских поверхонь, наприклад, зняття вінілового підлогового покриття, клею для килимових покриттів, клею для підлогової плитки, цементного розчину, лаку та фарби.</p>
	<p><b>Гнучкий скребок.</b> (Деталь № STA26140-XJ)</p> <p>Ідеально підходить для видалення еластомерів з твердих плоских поверхонь у важкодоступних місцях, наприклад, силіконових герметиків та інших ущільнювачів.</p>
	<p><b>Карбідне полотно для видалення цементного розчину.</b> (Деталь № STA26125-XJ)</p> <p>Полотно з покриттю карбідом поверхню ідеально підходить для очищення цементного розчину і плиткового клею з плоских поверхонь, а також для швидкого зняття шару з деревини, ДСП і скловолокна.</p>
	<p><b>Карбідний рашпіль.</b> (Деталь № STA26130-XJ)</p> <p>Полотно з покриттю карбідом поверхню ідеально підходить для очищення цементного розчину, а також для швидкого зняття шару з пластика, ДСП і скловолокна.</p>

	<p><b>Шліфувальне полотно.</b> (Деталь № STA32348-XJ)</p> <p>Шліфувальне полотно різного ступеня зернистості для шліфування деревини, фарбованих і лакованих поверхонь.</p>
---	---

## Монтаж

### Встановлення та зняття насадок (рис. А – F)

**Увага!** Перед встановленням насадки відключіть інструмент від джерела живлення.

### Встановлення насадки виробництва компанії Stanley Fat Max (рис. А – С)

- ◆ Візьміть інструмент та натисніть на затискний перемикач (3).
- ◆ Встановіть насадку (6) між хвостовиком та тримачем насадок, переконавшись, що усі вісім штифтів тримача увійшли в отвори насадки, і вона добре тримається у тримачі.
- ◆ Відпустіть важіль затискача насадки.

**Примітка.** Деякі насадки, такі як скребки і пильні полотна, за необхідності, можна встановити під потрібним кутом (рис. С).

### Знімання насадки виробництва компанії Stanley Fat Max (рис. А)

- ◆ Візьміть інструмент та натисніть на затискний перемикач (3).
- ◆ Витягніть насадку з інструмента, переконавшись, що вона знята з усіх восьми штифтів тримача.
- ◆ Відпустіть важіль затискача насадки.

**Увага!** При знятті насадок з інструменту вдягайте захисні рукавиці, тому що під час використання насадки сильно нагріваються.

### Встановлення шліфувальних полотен (рис. D)

- ◆ Помістіть шліфувальне полотно (7) на шліфувальну основу (8), як показано.
- ◆ Натисніть на шліфувальне полотно так, щоб воно міцно та рівно встало на шліфувальну основу, переконавшись, що отвори в полотні збігаються з отворами в основі.

### Зняття шліфувального полотна

- ◆ Зніміть шліфувальне полотно зі шліфувальної основи (8).

**Увага!** Ніколи не використовуйте інструмент без шліфувального полотна на основі або без встановлених насадок.

**Встановлення адаптера для видалення пилу (рис. Е)**

- ◆ Помістіть адаптер для видалення пилу (9) на шліфувальну основу (8), як показано.
- ◆ Добре натисніть адаптер, щоб він рівно встав на шліфувальну основу.
- ◆ Зафіксуйте адаптер, повертаючи стопорну гайку (10) за годинниковою стрілкою.
- ◆ Підключіть пилосос до адаптера для видалення пилу.

**Зняття адаптера для видалення пилу**

- ◆ Поверніть стопорну гайку (10) проти годинникової стрілки.
- ◆ Зніміть адаптер для видалення пилу (9) зі шліфувальної основи (8).

**Встановлення насадок інших марок (рис. F)**

- ◆ Встановіть розпірку (11) на виступ (12).
- ◆ Встановіть насадку іншої марки (13) на виступ (12).
- ◆ Добре затягніть кріпильний болт (14) на місці, добре фіксуючи насадку іншої марки (13).

**Примітка.** Розпірка та кріпильний болт не потрібні для встановлення насадок Stanley Fat Max. Насадки BLACK+DECKER встановлюються, використовуючи затискний перемикач Super-lok™ для заміни насадок без ключа.

**Установлення та знімання батареї (рис. G)**

- ◆ Щоб установити батарею (4), вирівняйте її відносно відповідного відсіку в інструменті. Встановіть батарею у відсік та натисніть, щоб батарея стала на місце.
- ◆ Щоб виїняти акумулятор, натисніть на кнопки фіксаторів (15), одночасно виштовхуючи акумулятор з відсіку.

**Використання**

**Увага!** Інструмент повинен працювати з рекомендованою швидкістю. Не перевантажуйте його.

**Увага!** Перед розрізанням стін, підлоги та стелі переконайтеся, що в цьому місці не розташована електрична проводка та труби.

**Зарядка батареї (рис. H)**

Необхідно зарядити батарею перед першим використанням, а також коли вона не може забезпечити достатню потужність для виконання завдань, які легко виконувались раніше. Батарея може стати теплою під час зарядки: це нормально та не є показником проблеми.

**Увага!** Не заряджайте батарею за температури навколишнього середовища нижче 10 °C або вище 40 °C. Рекомендована температура зарядки: приблизно 24 °C.

**Примітка.** Зарядний пристрій не заряджає батарею, якщо її температура нижче приблизно 10 °C або вище 40 °C.

**Батарею потрібно залишити у зарядному пристрої, який автоматично почне її заряджати, коли температура батареї підніметься або зменшиться.**

- ◆ Для заряджання батареї (4) вставте її в зарядний пристрій (16). Батарею можна вставити в зарядний пристрій лише одним способом. Не прикладайте силу. Переконайтеся, що батарея вставлена в зарядний пристрій до кінця.
- ◆ Включіть зарядний пристрій у розетку мережі живлення.

Індикатор зарядки (17) почне блимати.

Заряджання завершено, коли індикатор (17) починає горіти постійно. Батарею можна залишати підключеною до зарядного пристрою на необмежений час. Індикатор буде увімкнений, коли зарядний пристрій підзаряджатиме батарею до необхідного рівня.

- ◆ Не тримайте батареї розрядженими більше 1 тижня. Термін служби батареї значно зменшується, якщо вона зберігається у незарядженому стані.

**Залишення батареї в зарядному пристрої**

Батареї можна залишити в зарядному пристрої на необмежений час з індикатором, який працює. Зарядний пристрій буде підтримувати батарею у повністю зарядженому стані.

**Діагностика зарядного пристрою**

Якщо зарядний пристрій виявляє слабку або пошкоджену батарею, індикатор заряджання (17) буде часто блимати червоним. Виконайте описані далі дії:

- ◆ Витягніть та вставте батарею знов (4).
- ◆ Якщо індикатор заряджання продовжує швидко блимати червоним, візьміть іншу батарею, щоб перевірити, чи правильно відбувається процес заряджання.
- ◆ Якщо інша батарея заряджається правильно, це означає, що оригінальна батарея пошкоджена, і її потрібно повернути до сервісного центру на переробку.
- ◆ Якщо нова батарея поводиться себе так само, як і оригінальна, віднесіть зарядний пристрій на перевірку в один з авторизованих сервісних центрів.

**Примітка.** Потрібно до 30 хвилин, щоб визначити, що батарея пошкоджена. Якщо батарея занадто гаряча або холодна, індикатор буде почергово миготіти швидко та повільно червоним (одне миготіння з кожною швидкістю, а потім повтор).

**Регулятор швидкості (рис. I)**

Регулятор змінної швидкості дозволяє встановити швидкість, необхідну для виконання певної задачі.

- ◆ Встановіть дисковий перемикач змінної швидкості (2) на необхідне значення. При значенні 1 інструмент буде працювати з низькою швидкістю, 8 000 об/хв. При значенні 6 інструмент буде працювати з максимальною швидкістю, 18 000 об/хв.

### Увімкнення та вимкнення (рис. J)

- ◆ Щоб увімкнути інструмент, змістіть перемикач Увімк./Вимк. (1) вперед (положення I).
- ◆ Щоб вимкнути інструмент, змістіть перемикач Увімк./Вимк. (1) назад (положення O).

### Світлодіодний індикатор роботи

Світлодіодний індикатор роботи (5) активується автоматично при вимкненні інструмента.

### Індикатор низького рівня заряду батареї

Якщо світлодіодний індикатор роботи (5) починає швидко й безперервно блимати при натисненні перемикача інструмента, то акумуляторний блок розряджений і його слід зарядити.

На відміну від інших типів акумуляторних блоків літій-іонні акумуляторний блок забезпечує безвідмовну потужність протягом усього часу роботи. Інструмент не зазнає повільної, поступової втрати потужності під час роботи. Про закінчення часу роботи акумуляторного блока та необхідність його заряджання сигналізує швидке падіння потужності інструмента.

**Примітка.** Світлодіод також може блимати через перевантаження або високу температуру (див. «Захист акумулятора»).

### Підказки для оптимального використання

- ◆ Завжди добре тримайте інструмент. При прецизійній обробці тримайте інструмент за його передню частину.
- ◆ За можливості завжди закріплюйте заготовку, яка оброблюється, особливо при використанні ріжучих полотен.
- ◆ Не докладайте надмірного зусилля до інструменту.
- ◆ Завжди використовуйте відповідні типи насадок в залежності від матеріалу заготовки та типу розрізу.
- ◆ Регулярно перевіряйте стан насадок. Замінійте їх за необхідності.
- ◆ Помітьте відправну точку у потрібному місці.
- ◆ Увімкніть інструмент і повільно введіть насадку у заготовку в поміченій відправній точці.
- ◆ Для отримання чистого розрізу затискачами прикріпіть до задньої сторони заготовки шматок фанери або м'якої деревини й розпиліть через усі ці шари.
- ◆ Не докладайте значних зусиль до інструмента, коли він знаходиться у заготовці. Зверніть увагу, що розрізання листового металу зазвичай вимагає більше часу, чим розпил більш товстих дерев'яних заготовок.
- ◆ Перед розрізанням металу нанесіть вздовж лінії розрізу тонкий шар мастила або іншого мастильного засобу.
- ◆ При шліфуванні нових шарів фарби перед нанесенням ще одного шару завжди використовуйте дуже мілку абразивність.
- ◆ На дуже нерівній поверхні або при знятті шарів фарби

починайте з грубої абразивності. На інших поверхнях починайте з середньої абразивності. В обох випадках поступово переходьте на мілку абразивність для більш гладкого результату.

- ◆ Додаткову інформацію щодо доступних аксесуарів можна отримати у продавця.

### Технічне обслуговування

Ваш пристрій виробництва компанії Stanley Fat Max призначений для роботи протягом довгого часу з мінімальним обслуговуванням. Тривала задовільна робота приладу залежить від належного обслуговування приладу та регулярного його очищення.

**Увага!** Перед виконанням будь-якого технічного обслуговування інструмента зі шнуром живлення або без нього виконайте такі дії.

- ◆ Вимкніть інструмент та відключіть його від мережі живлення.
- ◆ Або вимкніть інструмент та витягніть акумулятор з нього, якщо ваш пристрій має окремий акумуляторний блок.
- ◆ Або повністю розрядіть акумулятор, якщо пристрій має вбудований акумулятор, а потім вимкніть інструмент.
- ◆ Регулярно очищуйте вентиляційні отвори пристрою/інструменту/зарядного пристрою за допомогою м'якої щітки або сухої ганчірки.
- ◆ Регулярно очищуйте корпус двигуна вологою тканиною. Не використовуйте абразивні очищувачі та засоби, що містять розчинники.

### Заміна шнура живлення (тільки для Великобританії та Ірландії)

Якщо потрібно встановити нову вилку, виконайте кілька дій.

- ◆ Зніміть стару вилку та утилізуйте її, дотримуючись правил техніки безпеки.
- ◆ Приєднайте коричневий провідник до активного виходу нової вилки.
- ◆ Приєднайте блакитний провідник до нейтрального виходу.

**Увага!** Жоден провід не повинен бути підключений до клеми заземлення. Дотримуйтеся інструкцій щодо встановлення, які постачаються з якісними вилками. Плавкий запобіжник, що рекомендується: 5 А.

### Захист навколишнього середовища



Роздільний збір. Даний виріб не можна викидати разом зі звичайним побутовим сміттям.

Якщо ви вирішите, що ваш виріб фірми Stanley Fat Max потрібно замінити, або він вам більше не потрібний, не

викидайте його на смітник побутового сміття. Даний виріб необхідно утилізувати в місцях роздільного збору сміття.



Окремий збір використаних виробів та упаковок дозволяє повторно переробляти та використовувати матеріали.

Переробка повторно використовуваних матеріалів допомагає знизити рівень забруднення навколишнього середовища та зменшує потребу в сировині.

Місцеві законодавчі акти можуть передбачати окремий збір електричного обладнання в місцях збору побутового сміття або роздрібною торгівлі у випадку придбання нового обладнання.

Компанія Stanley Europe має можливість для збору та переробки продуктів Stanley Fat Max після закінчення їхнього терміну служби. Щоб скористатися цією послугою, поверніть виріб компанії в один з офіційних сервісних центрів, які збирають відпрацьовані вироби від нашого імені.

Ви можете знайти місцезнаходження найближчого до вас сервісного центру, зв'язавшись з місцевим офісом компанії Stanley Europe за адресою, що вказана у цих інструкціях. Крім того, список офіційних сервісних центрів компанії Stanley Europe з усіма подробицями нашого після-продажного обслуговування та контактною інформацією знаходиться в Інтернеті за адресою: [www.2helpU.com](http://www.2helpU.com)

## Батареї



Батареї Stanley Fat Max можна перезаряджати багато разів. В кінці їхнього строку служби викиньте батареї, не забуваючи про навколишнє середовище:

- Батарея повинна бути повністю розряджена, потім витягніть її з інструменту.
- Батареї типів NiCd (нікель-кадмієві), NiMH (нікель-металогідридні) та Li-Ion (літій-іонні) підлягають переробці. Віднесіть їх у будь-який офіційний сервісний центр або на місцеву переробку станцію.

## Технічні характеристики

		FMC710 (тип 1)
Напруга	$V_{DC}$	18
Швидкість без навантаження	хв. <sup>-1</sup>	8000 – 18000
Кут коливання	Градуси	1,4 або 2,8
Маса	кг	1,4

Зарядний пристрій	905998**		906086**	
	тип 1		тип 1	
Вхідна напруга	$V_{\text{змін. струму}}$	230	230	
Вихідна напруга	$V_{DC}$	18	18	
Струм	A	1	2	
Приблизний час першого зарядження	хв.	90 – 240	45 – 120	

Батарея		FMC685L	FMC687L	FMC688L
Напруга	$V_{DC}$	18	18	18
Ємність	ампер-годин	1,5	2,0	4,0
Тип		Літій-іонна	Літій-іонна	Літій-іонна

Рівень звукового тиску згідно з EN 60745:

Звуковий тиск ( $L_{pA}$ ) 94,2 дБ(A), похибка (K) 3 дБ(A)

Звукова потужність ( $L_{WA}$ ) 105,2 дБ(A), похибка (K) 3 дБ(A)

Загальні значення вібрації (векторна сума трьох векторів) згідно з EN 60745:

Розрізання дощок ( $a_{h, CW}$ ) 7,9 м/с<sup>2</sup>, похибка (K) 1,5 м/с<sup>2</sup>

Розрізання металу ( $a_{h, CM}$ ) 7,9 м/с<sup>2</sup>, похибка (K) 1,5 м/с<sup>2</sup>

Шліфування ( $a_{h, S}$ ) 8,2 м/с<sup>2</sup>, похибка (K) 1,5 м/с<sup>2</sup>

## Декларація про відповідність нормам ЄС ДИРЕКТИВА ДЛЯ МЕХАНІЧНОГО ОБЛАДНАННЯ



Універсальний інструмент без шнура живлення – FMC710

Компанія Stanley Europe заявляє, що продукти, описані у розділі «Технічні дані» відповідають вимогам: 2006/42/EC, EN 60745-1, EN 60745-2-4

Ці продукти також відповідають Директивам 2004/108/EC і 2011/65/EU. Для отримання додаткової інформації, будь ласка, зверніться до компанії Stanley Europe за наведеною нижче адресою або прочитайте інформацію на зворотному боці цього посібника.

Особа, яка підписалася нижче, несе відповідальність за упорядкування файлу технічних характеристик та робить цю заяву від компанії Stanley Europe.

*K. Hewitt*

Кевін Хьюїт (Kevin Hewitt)  
Віце-президент з глобальних розробок  
Stanley Europe, Egide Walschaertsstraat14-18,  
2800 Mechelen, Бельгія  
13/02/2020

## Гарантія

Компанія Stanley Europe впевнена в якості своєї продукції та пропонує чудові умови гарантії для професійних користувачів цього продукту. Ці гарантійні умови є додатковими та в якійсь мірі підтверджують ваші законні права за угодою як приватного непрофесійного користувача. Ця гарантія є чинною на території країн-членів Європейського Союзу та в європейській зоні вільної торгівлі.

## ПОВНА ГАРАНТІЯ НА ОДИН РІК

Якщо продукт компанії Stanley Fat Max стає несправним через неякісні матеріали, конструкцію або невідповідність вимогам протягом 12 місяці з дня покупки, компанія Stanley Europe гарантує безкоштовну заміну несправних деталей або – за нашим рішенням – безкоштовну заміну пристрою у наступних випадках:

- ◆ Продукт використовувався лише за призначенням та відповідно до цих інструкцій.
- ◆ Продукт зазнав нормального зносу;
- ◆ Не виконувався ремонт сторонніми особами;
- ◆ Надається підтвердження покупки.
- ◆ Продукт Stanley Fat Max повертається з усіма оригінальними компонентами

Якщо ви бажаєте пред'явити позов, зверніться до свого продавця або у найближчий сервісний центр компанії Stanley Fat Max, що вказані у каталозі Stanley Fat Max, або зв'яжіться з місцевим офісом компанії Stanley Fat Max за адресою, вказаною у цьому посібнику. Список офіційних сервісних центрів компанії Stanley Fat Max з усіма подробицями нашого післяпродажного обслуговування та контактною інформацією міститься в Інтернеті за адресою: [www.stanley.eu/3](http://www.stanley.eu/3)



060

Виробник:  
"Stanley Black & Decker Deutschland  
GmbH" Black-&-Decker Str.40, D-65510  
Idstein, Німеччина



**STANLEY**  
**FATMAX**

ГАРАНТІЙНИЙ ТАЛОН

**3 РОКИ**  
**ГАРАНТІЇ**

1. Вітаємо Вас з покупкою високоякісного виробу Stanley FATMAX і висловлюємо вдячність за Ваш вибір.
2. При покупці виробу вимагайте перевірки його комплектності і справності у Вашій присутності, інструкцію з експлуатації та заповнений гарантійний талон українською мовою. В гарантійному талоні повинні бути внесені: модель, дата продажу, серійний номер, дата виробництва інструменту, назва, печатка і підпис торгової організації. За відсутності у Вас правильно заповненого гарантійного талону, а також при невідповідності зазначених у ньому даних ми будемо змушені відхилити Ваші претензії щодо якості даного виробу.
3. Щоб уникнути непорозумінь, переконливо просимо Вас перед початком роботи з виробом уважно ознайомитися з інструкцією з його експлуатації. Правовою основою справжніх гарантійних умов є чинне Законодавство. Гарантійний термін на даний виріб складає 36 місяці і обчислюється з дня продажу. У разі усунення недовліків виробу, гарантійний строк продовжується на період його перебування в ремонті. Термін служби виробу становить 5 років з дня продажу.
4. У разі виникнення будь-яких проблем у процесі експлуатації виробу рекомендуємо Вам звертатися тільки в уповноважені сервісні центри Stanley FATMAX, адреси та телефони яких Ви зможете знайти в гарантійному талоні, на сайті [www.2helpU.com](http://www.2helpU.com) або дізнатися в магазині. Наші сервісні станції - це не тільки кваліфікований ремонт, але і широкий асортимент запчастин і аксесуарів.
5. Виробник рекомендує проводити періодичну перевірку у технічне обслуговування виробу в уповноважених сервісних центрах.
6. Наші гарантійні зобов'язання поширюються тільки на несправності, виявлені протягом гарантійного терміну і викликані дефектами виробництва та \ або матеріалів.
7. Гарантійні умови не поширюються на несправності виробу, що виникли в результаті:
  - 7.1. Недотримання користувачем приписів інструкції з експлуатації виробу, застосування виробу не за призначенням, неправильного зберігання, використання приладдя, витратних матеріалів і запчастин, що не передбачені виробником.
  - 7.2. Механічного пошкодження (відколи, тріщини і руйнування) внутрішніх і зовнішніх деталей виробу, основних і допоміжних рукояток, мережевого кабелю, що викликані зовнішнім ударним або будь-яким іншим впливом
  - 7.3. Потраплення у вентиляційні отвори та проникнення всередину виробу сторонніх предметів, матеріалів або речовин, що не є відходами, які супроводжують застосування виробу за призначенням, такими як: стружка, тирса, пісок, та ін.
  - 7.4. Впливу на виріб несприятливих атмосферних і інших зовнішніх факторів, таких як дощ, сніг, підвищена вологість, нагрівання, агресивні середовища, невідповідність параметрів електромережі, що зазначені на інструменті.
  - 7.5. Стихійного лиха. Пошкодження або втрати виробу, що пов'язані з непередбаченими лихами, стихійними явищами, у тому числі внаслідок дії непереборної сили (пожежа, блискавка, потоп і інші природні явища), а також внаслідок перепадів напруги в електромережі та іншими причинами, які знаходяться поза контролем виробника.
8. Гарантійні умови не поширюються:
  - 8.1. На інструменти, що піддавались розкриттю, ремонту або модифікації поза уповноваженим сервісним центром.
  - 8.2. На деталі, вузли та матеріали, що мають сліди природного зносу, такі як: приводні ремені і колеса, вугільні щітки, мастило, підшипники, зубчасті зчеплення редукторів, гумові ущільнення, сальники, направляючі ролики, муфти, вимикачі, бойки, штовхачі, стволи тощо.
  - 8.3. На змінні частини: патрони, цанги, затискні гайки і фланці, фільтри, ножі, шліфувальні підшви, ланцюги, зірочки, пильні шини, захисні кожухи, пилки, абразиви, пильні і абразивні диски, фрези, свердла, бури тощо
  - 8.4. На несправності, що виникли в результаті перевантаження інструменту (як механічного, так і електричного), що спричинили вихід з ладу одночасно двох і більше деталей і вузлів, таких як: ротора і статора, обох обмоток статора, веденої і ведучої шестерень редуктора або інших вузлів і деталей. До безумовних ознак перевантаження виробу відносяться, крім інших: поява кольорів мільності, деформація або оплавлення деталей і вузлів виробу, потемніння або обуглювання ізоляції проводів електродвигуна під впливом високої температури.

Товар отриманий в справному стані, без видимих ушкоджень, в повній комплектації, перевірений у моїй присутності, претензій щодо якості товару не маю. З умовами гарантійного обслуговування ознайомлений і згоден.

П. І. Б. та підпис власника \_\_\_\_\_

**Шановні клієнти, наша мережа авторизованих сервісних центрів постійно розширюється. Актуальну інформацію про обслуговування в місті, що цікавить вас, ви можете дізнатися на сайті**

**[www.2helpU.com](http://www.2helpU.com)**

Редакція ВК/16-04-2018

Інформація про інструмент

Найменування інструменту	
Модель	
Найменування продавця	
Дата продажу	

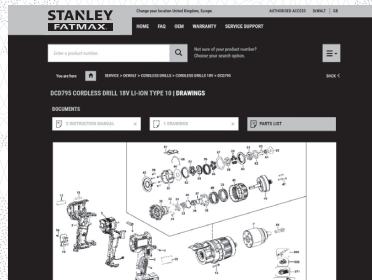
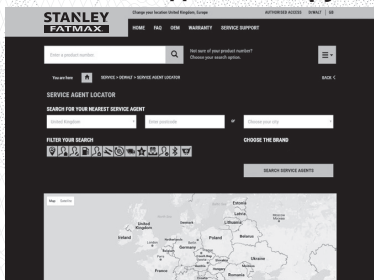
М.П.  
Продавця

Серійний номер/Дата виробництва

Інструмент	
Зарядний пристрій	
Акумулятор 1	
Акумулятор 2	

На сайті [www.2helpU.com](http://www.2helpU.com) доступні наступні функції:

- Список авторизованих сервісних центрів
- Зручний пошук найближчого сервісного центру
- Керівництво з експлуатації
- Технічні характеристики
- Список деталей і запасних частин
- Схема складання інструменту



Також дану інформацію ви можете отримати, зателефонувавши за номером:  
**0 (800) 211 521** в Україні

ВІДМІТКА ПРО ПРОВЕДЕННЯ СЕРВІСНОГО ОБСЛУГОВУВАННЯ

№1	№2	№3	№4
№ замовлення	№ замовлення	№ замовлення	№ замовлення
Дата прийому	Дата прийому	Дата прийому	Дата прийому
Дата ремонту	Дата ремонту	Дата ремонту	Дата ремонту
Печатка і підпис сервісного центру	Печатка і підпис сервісного центру	Печатка і підпис сервісного центру	Печатка і підпис сервісного центру



