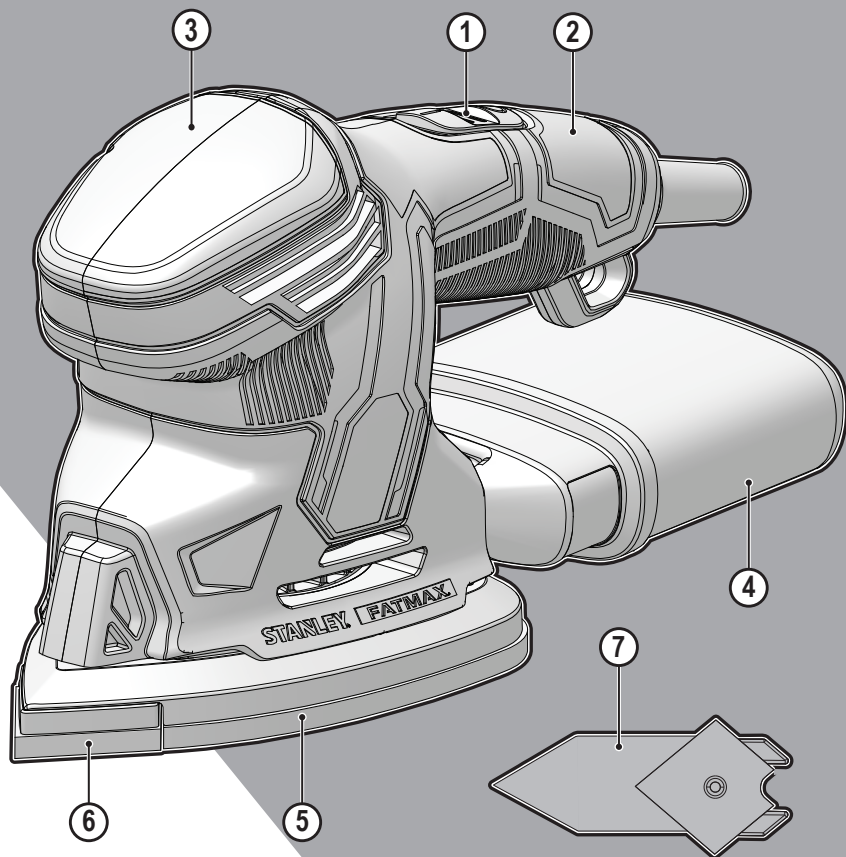


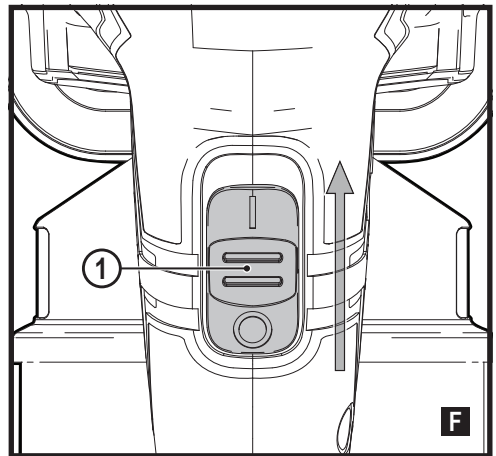
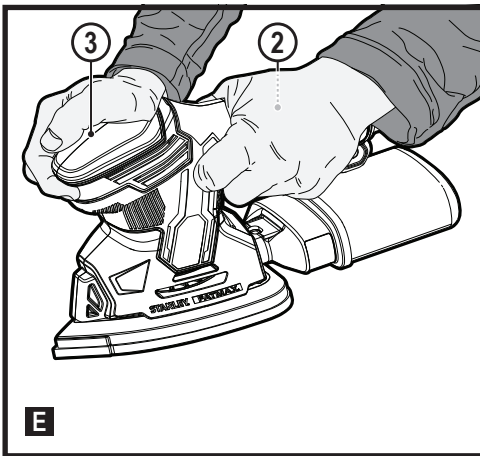
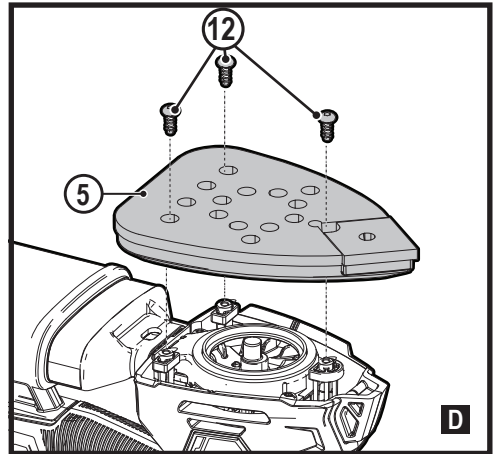
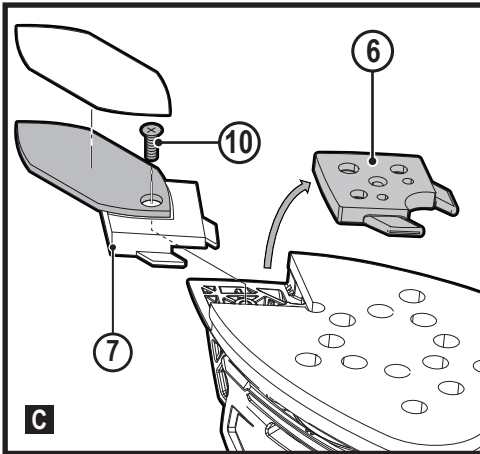
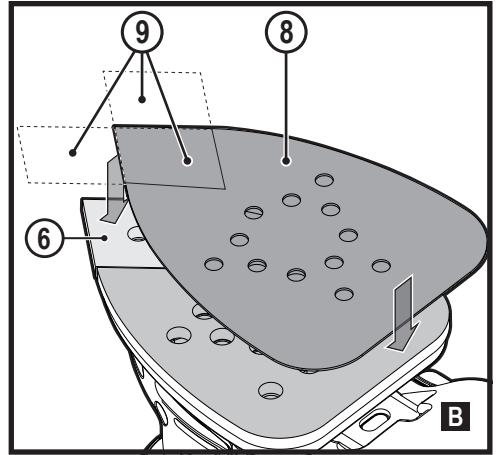
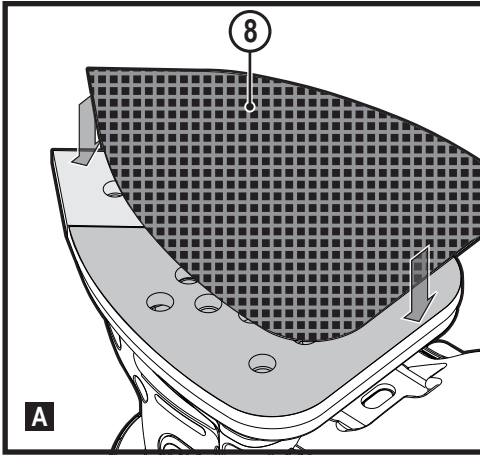
STANLEY®

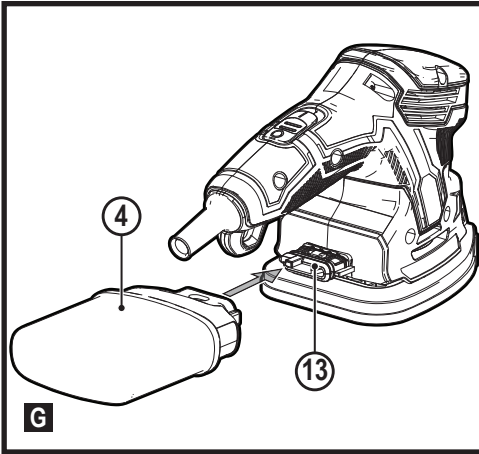
FATMAX®



www.stanley.gb

SFMEW210





Intended use

Your sander STANLEY FATMAX SFMEW210 has been designed for sanding wood, metal, plastics and painted surfaces. This appliance is intended for professional and private, non professional users.

Safety instructions

General power tool safety warnings



WARNING! Read all safety warnings, instructions, illustrations and specifications provided with this power tool. Failure to follow all instructions listed below may result in electric shock, fire and/or serious injury.

Save all warnings and instructions for future reference.

The term "power tool" in the warnings refers to your mains-operated (corded) power tool or battery-operated (cordless) power tool.

1. Work area safety

- Keep work area clean and well lit.** Cluttered or dark areas invite accidents.
- Do not operate power tools in explosive atmospheres, such as in the presence of flammable liquids, gases or dust.** Power tools create sparks which may ignite the dust or fumes.
- Keep children and bystanders away while operating a power tool.** Distractions can cause you to lose control.

2. Electrical safety

- Power tool plugs must match the outlet. Never modify the plug in any way. Do not use any adapter plugs with earthed (grounded) power tools.** Unmodified plugs and matching outlets will reduce risk of electric shock.

- Avoid body contact with earthed or grounded surfaces such as pipes, radiators, ranges and refrigerators.** There is an increased risk of electric shock if your body is earthed or grounded.
- Do not expose power tools to rain or wet conditions.** Water entering a power tool will increase the risk of electric shock.
- Do not abuse the cord. Never use the cord for carrying, pulling or unplugging the power tool. Keep cord away from heat, oil, sharp edges or moving parts.** Damaged or entangled cords increase the risk of electric shock.
- When operating a power tool outdoors, use an extension cord suitable for outdoor use.** Use of a cord suitable for outdoor use reduces the risk of electric shock.
- If operating a power tool in a damp location is unavoidable, use a residual current device (RCD) protected supply.** Use of an RCD reduces the risk of electric shock.

3. Personal safety

- Stay alert, watch what you are doing and use common sense when operating a power tool. Do not use a power tool while you are tired or under the influence of drugs, alcohol or medication.** A moment of inattention while operating power tools may result in serious personal injury.
- Use personal protective equipment. Always wear eye protection.** Protective equipment such as a dust mask, non-skid safety shoes, hard hat, or hearing protection used for appropriate conditions will reduce personal injuries.
- Prevent unintentional starting. Ensure the switch is in the off-position before connecting to power source and/or battery pack, picking up or carrying the tool.** Carrying power tools with your finger on the switch or energising power tools that have the switch on invites accidents.
- Remove any adjusting key or wrench before turning the power tool on.** A wrench or a key left attached to a rotating part of the power tool may result in personal injury.
- Do not overreach. Keep proper footing and balance at all times.** This enables better control of the power tool in unexpected situations.
- Dress properly. Do not wear loose clothing or jewellery. Keep your hair and clothing away from moving parts.** Loose clothes, jewellery or long hair can be caught in moving parts.

- g. If devices are provided for the connection of dust extraction and collection facilities, ensure these are connected and properly used. Use of dust collection can reduce dust-related hazards.
- h. Do not let familiarity gained from frequent use of tools allow you to become complacent and ignore tool safety principles. A careless action can cause severe injury within a fraction of a second.

4. Power tool use and care

- a. Do not force the power tool. Use the correct power tool for your application.

The correct power tool will do the job better and safer at the rate for which it was designed.

- b. Do not use the power tool if the switch does not turn it on and off. Any power tool that cannot be controlled with the switch is dangerous and must be repaired.
- c. Disconnect the plug from the power source and/or remove the battery pack, if detachable, from the power tool before making any adjustments, changing accessories, or storing power tools. Such preventive safety measures reduce the risk of starting the power tool accidentally.
- d. Store idle power tools out of the reach of children and do not allow persons unfamiliar with the power tool or these instructions to operate the power tool. Power tools are dangerous in the hands of untrained users.
- e. Maintain power tools and accessories. Check for misalignment or binding of moving parts, breakage of parts and any other condition that may affect the power tools operation. If damaged, have the power tool repaired before use. Many accidents are caused by poorly maintained power tools.
- f. Keep cutting tools sharp and clean. Properly maintained cutting tools with sharp cutting edges are less likely to bind and are easier to control.
- g. Use the power tool, accessories and tool bits etc. in accordance with these instructions, taking into account the working conditions and the work to be performed.
Use of the power tool for operations different from those intended could result in a hazardous situation.
- h. Keep handles and grasping surfaces dry, clean and free from oil and grease. Slippery handles and grasping surfaces do not allow for safe handling and control of the tool in unexpected situations.

5. Service

- a. Have your power tool serviced by a qualified repair person using only identical replacement parts. This will ensure that the safety of the power tool is maintained.

Additional Specific Safety Rules for Sanders

- Hold the power tool by insulated gripping surfaces, because the sanding belt / sanding base may contact its own cord. Cutting a "live" wire may make exposed metal parts of the power tool "live" could give the operator an electric shock.
- Use clamps or another practical way to secure and support the workpiece to a stable platform. Holding the workpiece by hand or against your body leaves it unstable and may lead to loss of control.
- The intended use is described in this instruction manual. The use of any accessory or attachment or performance of any operation with this tool other than those recommended in this instruction manual may present a risk of personal injury and/or damage to property.



WARNING: Contact with or inhalation of dusts arising from sanding applications may endanger the health of the operator and possible bystanders. Wear a dust mask specifically designed for protection against toxic dust and fumes and ensure that persons within or entering the work area are also protected.



WARNING: Use this tool in a well-ventilated area when sanding ferrous metals. Do not operate the tool near flammable liquids, gases or dust. Sparks or hot particles from sanding or arcing motor brushes may ignite combustible materials.



WARNING: Do not use the dust filter cassette or the dust extraction adaptor to store objects.

Sanding Paint



WARNING: Observe the applicable regulations for sanding paint. Pay special attention to the following: Whenever possible, use a vacuum extractor for dust collection.

Take special care when sanding paint which is possibly lead based:

Do not let children or pregnant women enter the work area. All persons entering the work area should wear a mask specially designed for protection against lead paint dust and fumes.

Do not eat, drink or smoke in the work area.

Dispose of dust particles and any other removal debris safely.



WARNING: We recommend the use of a residual current device with a residual current rating of 30mA or less.

Additional Safety Instructions for Sanders

- **Wear ear protectors.** Exposure to noise can cause hearing loss.

Residual risks

Additional residual risks may arise when using the tool which may not be included in the enclosed safety warnings. These risks can arise from misuse, prolonged use etc.

Even with the application of the relevant safety regulations and the implementation of safety devices, certain residual risks can not be avoided. These include:

- Injuries caused by touching any rotating/moving parts.
- Injuries caused when changing any parts, blades or accessories.
- Injuries caused by prolonged use of a tool. When using any tool for prolonged periods ensure you take regular breaks.
- Impairment of hearing.
- Health hazards caused by breathing dust developed when using your tool (example:- working with wood, especially oak, beech and MDF.)

Safety of others

- This tool is not intended for use by persons (including children) with reduced physical, sensory or mental capabilities, or lack of experience and knowledge, unless they have been given supervision or instruction concerning use of the tool by a person responsible for their safety.
- Children should be supervised to ensure that they do not play with the appliance.

Vibration

The declared vibration emission values stated in the technical data and the declaration of conformity have been measured in accordance with a standard test method provided by EN62841 and may be used for comparing one tool with another. The declared vibration emission value may also be used in a preliminary assessment of exposure.



WARNING! The vibration emission value during actual use of the power tool can differ from the declared value depending on the ways in which the tool is used. The vibration level may increase above the level stated.

When assessing vibration exposure to determine safety measures required by 2002/44/EC to protect persons regularly using power tools in employment, an estimation of vibration exposure should consider, the actual conditions of use and the way the tool is used, including taking account of all parts of the operating cycle such as the times when the tool is switched off and when it is running idle in addition to the trigger time.

Labels on tool

The following symbols are shown on the tool along with the date code:



WARNING! To reduce the risk of injury, the user must read the instruction manual.



Wear a dust mask.

Electrical safety



This tool is double insulated; therefore no earth wire is required. Always check that the power supply corresponds to the voltage on the rating plate.

- If the supply cord is damaged, it must be replaced by the manufacturer or an authorised STANLEY FATMAX Service Centre in order to avoid a hazard.

Features

This tool includes some or all of the following features.

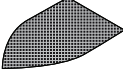
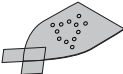
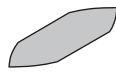
1. ON/OFF switch
2. Back handle
3. Front handle
4. Dust collection bag
5. Sanding pad
6. Diamond-shaped pad tip
7. Detail attachment

Accessories

The accessories supplied with your sander depend upon the model that you have purchased. All the accessories listed below are available in our range. If you require an accessory that is listed below but is not supplied with your sander please visit our website at www.stanleyfatmax.eu.

The performance of your tool depends on the accessory used. Stanley Fat Max accessories are engineered to high quality standards and designed to enhance the performance of your tool. By using these accessories you will get the very best from your tool.

Warning! Since accessories, other than those offered by STANLEY FATMAX, have not been tested with this product, use of such accessories with this tool could be hazardous. To reduce the risk of injury, only STANLEY FATMAX recommended accessories should be used with this product.

Item	Description
	<p>240 grit sanding mesh. For a fine finish for large detail sanding. (Part Number - N238135)</p>
	<p>120 grit sanding mesh. For a medium finish for large detail sanding. (Part Number - N238134)</p>
	<p>80 grit sanding mesh. For a coarse finish for large detail sanding. (Part Number - N238133)</p>
	<p>240 grit large detail sanding sheet with two replacement tips. For a fine finish for large detail sanding. (Part Number - ITM90531998-05)</p>
	<p>120 grit large detail sanding sheet with two replacement tips. For a medium finish for large detail sanding. (Part Number - ITM90531998-03)</p>
	<p>60 grit large detail sanding sheet with two replacement tips. For a coarse finish for large detail sanding. (Part Number - ITM90531998-01)</p>
	<p>120 grit detailed finger sanding sheet. For a medium finish for detailed sanding. (Part Number - 470878-01)</p>

- When the whole tip is worn, remove it from the sanding base and fit a new tip.

For optimal dust collection, ensure the correct type of sanding paper is used.

Replacing diamond shaped tip (Fig. C)

When the removeable pad tip (6) or tip holder is worn, it can be replaced. Spare parts are available from your dealer.

- Remove the tip screw (10).
- Replace the worn part.
- Fit and tighten the screw.

Detail Attachment (Fig. C)

The detail attachment 7 is used for fine detail sanding.

- Remove the tip screw (10).
- Remove the removeable pad tip 6 from the base.
- Fit the detail attachment onto the sanding base as shown in Figure C.
- Fit and tighten the screw.
- Align the appropriate sanding sheet with the finger attachment.

Replacing the Sanding Pad (Fig. D)

The sanding pad (5) is designed to be a consumable part and will occasionally need to be replaced. The sanding pad needs replacement when signs of wear become evident. Sanding pads are available at extra cost from your local dealer or authorized STANLEY FATMAX service center.

- Holding the base firmly, remove the pad screws (12) from the bottom of the pad.
- Remove the pad.
- Reinstall pad. Replace the three screws. Be careful not to over-tighten screws.

Proper Hand Position (Fig. E)



Warning! To reduce the risk of serious personal injury, ALWAYS use proper hand position as shown.



Warning! To reduce the risk of serious personal injury, ALWAYS hold securely in anticipation of a sudden reaction.

Proper hand position requires one hand on the back handle (2) and one hand on the front handle (3) as shown in Figure E.

Use



Warning! Let the tool work at its own pace. Do not overload.

Switching on and off (Fig. F)

- To switch the tool on, push the on/off switch (1) forward toward the "I" position.
- To switch the tool off, pull the on/off switch (1) back toward the "O" position.

Assembly

Warning! Before assembly, make sure that the tool is switched off, battery removed and the cord plug is pulled out of the power socket.

Fitting sanding mesh (Fig. A)

- Hold the tool with the sanding base facing upwards.
- Place the sanding mesh (8) onto the sanding base, making sure that the holes in the sheet line up with the holes in the base.

Fitting sanding sheets (Fig. B - Optional accessory)

- Detach the two additional diamond-shaped tips (9) from the sanding sheet (8).

The diamond-shaped tip (9) can be reversed and replaced when worn.

- When the front part of the tip (9) is worn, detach it from the sheet, reverse it and press it onto the sanding base again.

Fitting and removing the dust cassette (Fig. G)



Warning! Collected sanding dust from sanding surface coatings (polyurethane, linseed oil, etc.) can selfignite in sander dust bag or elsewhere and cause fire. To reduce risk, empty bag frequently and strictly follow sander manual and coating manufacturer's instructions.

- The dust bag (4) should be emptied after every 10 minutes of sanding.
- To attach the dust bag to the sander, line up the dust bag with the dust port (13).
- Slide the dust bag onto the dust port as shown in the insert of Figure (G).
- To remove, slide the dust bag off.
- To empty the dust bag, remove it from the dust port and dump the sanding debris into an appropriate trash receptacle.

Accessories

Warning! Since accessories, other than those offered by STANLEY FATMAX, have not been tested with this product, use of such accessories with this tool could be hazardous. To reduce the risk of injury, only STANLEY FATMAX recommended accessories should be used with this product.

Maintenance

Your STANLEY FATMAX tool has been designed to operate over a long period of time with a minimum of maintenance. Continuous satisfactory operation depends upon proper tool care and regular cleaning.

Your charger does not require any maintenance apart from regular cleaning.



WARNING! Before performing any maintenance on the tool, remove the battery from the tool. Unplug the charger before cleaning it.

- Regularly clean the ventilation slots in your tool and charger using a soft brush or dry cloth.
- Regularly clean the motor housing using a damp cloth. Do not use any abrasive or solvent-based cleaner.

Protecting the environment



Separate collection. Products and batteries marked with this symbol must not be disposed of with normal household waste.

Products and batteries contain materials that can be recovered or recycled, reducing demand for raw materials. Please recycle electrical products and batteries according to local provisions. Further information is available at www.2helpU.com

Technical data

		SFMWE210
Input voltage	V_{in}	230
Oscillations (no load)	min ⁻¹	28000
Orbits (no load)	min ⁻¹	14000
Sanding base surface	mm ²	8866
Weight	kg	1.12

Level of sound pressure according to EN 62841:

Sound pressure (L_{pA}) 77 dB(A), uncertainty (K) 3 dB(A)
Sound power (L_{WA}) 85 dB(A), uncertainty (K) 3 dB(A)

Vibration total values (triax vector sum) according to EN 62841:

Sanding (ah) 7.7 m/s², uncertainty (K) 1.5 m/s²

EC declaration of conformity

MACHINERY DIRECTIVE



SFMWE210 Sander

STANLEY FATMAX declares that these products described under "technical data" are in compliance with: EN 62841-1:2015 + AC:2015 +A11:2022 and EN 62841-2:2014 + AC:2015.

These products also comply with Directive 2006/42/EC, 2014/30/EU and 2011/65/EU. For more information, please contact STANLEY FATMAX at the following address or refer to the back of the manual.

The undersigned is responsible for compilation of the technical file and makes this declaration on behalf of STANLEY FATMAX .

Patrick Diepenbach

Patrick Diepenbach
General Manager, Benelux
Stanley FatMax,
Egide Walschaertsstraat 14-18
2800 Mechelen, Belgium
01/11/2022

Declaration of Conformity

The Supply of Machinery (Safety) Regulations 2008



SFMEW210 Sander

Stanley Europe declares that these products described under "technical data" are in compliance with:

EN 62841-1:2015 + AC:2015 +A11:2022 and EN 62841-2-4:2014 + AC:2015.

These products conform to the following UK Regulations:
The Supply of Machinery (Safety) Regulations, 2008, S.I. 2008/1597 (as amended).

Electromagnetic Compatibility Regulations, 2016,
S.I.2016/1091 (as amended).

The Restriction of the Use of Certain Hazardous Substances in Electrical and Electronic Equipment Regulations 2012, S.I. 2012/3032 (as amended).

For more information, please contact Stanley Europe at the following address or refer to the back of the manual.

The undersigned is responsible for compilation of the technical file and makes this declaration on behalf of Stanley Europe

A handwritten signature in black ink, appearing to read 'Karl Evans', with a long horizontal flourish extending to the right.

Karl Evans

Director – Consumer Power Tools
Stanley Europe, 270 Bath Road, Slough,
Berkshire, SL1 4DX
United Kingdom
01/11/2022

Guarantee

STANLEY FATMAX is confident of the quality of its products and offers consumers a 12 month guarantee from the date of purchase. This guarantee is in addition to and in no way prejudices your statutory rights. The guarantee is valid within the territories of the Member States of the European Union and the European Free Trade Area and the United Kingdom. To claim on the guarantee, the claim must be in accordance with STANLEY FATMAX Terms and Conditions and you will need to submit proof of purchase to the seller or an authorised repair agent.

United Kingdom

Stanley Fat Max
270 Bath Road
Slough, Berkshire SL1 4DX

Tel. 01753 511234
Fax 01753 572112
www.stanleytools.co.uk