

# STANLEY®

# FATMAX®



[WWW.STANLEY.COM](http://WWW.STANLEY.COM)

**SFMCMW2651**



Fig. A

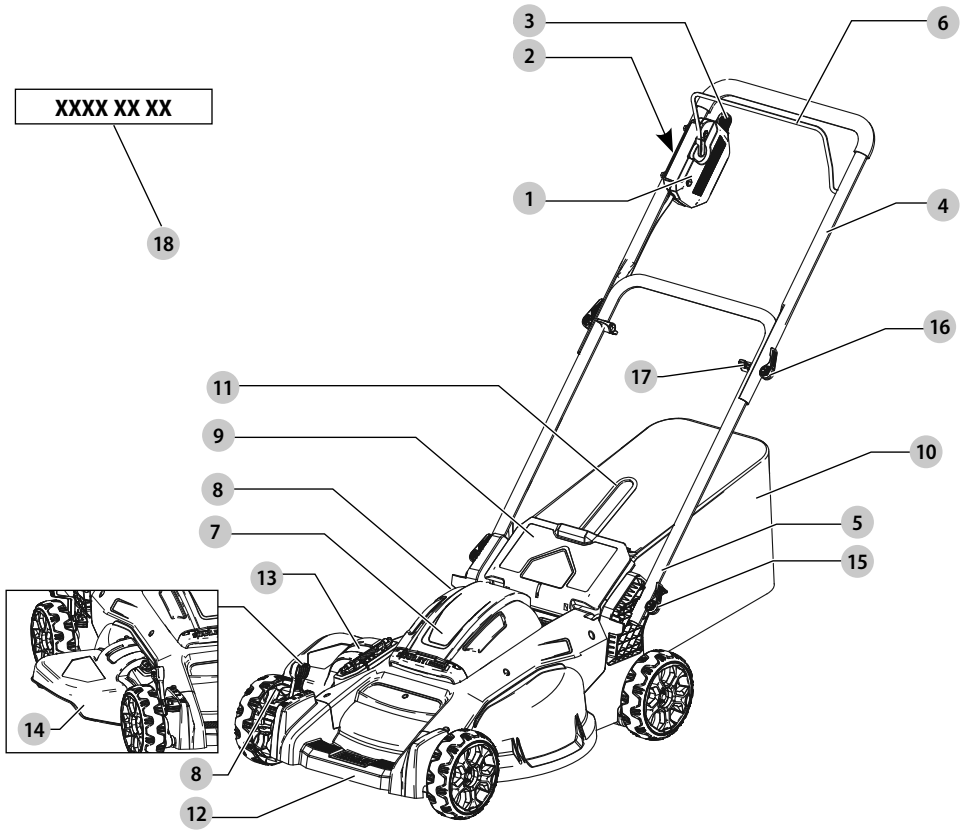


Fig. B

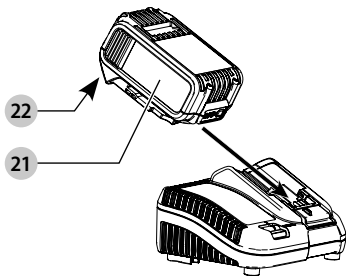


Fig. C

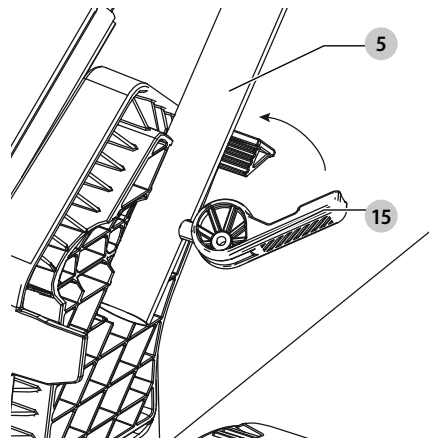


Fig. D

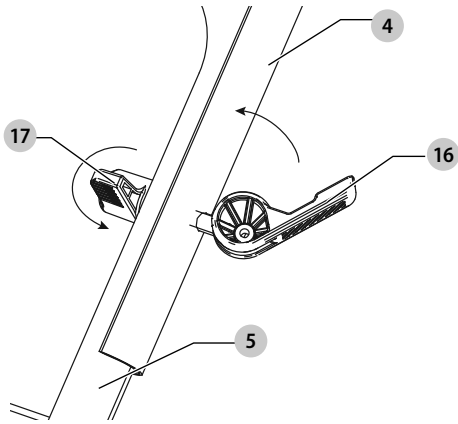


Fig. E

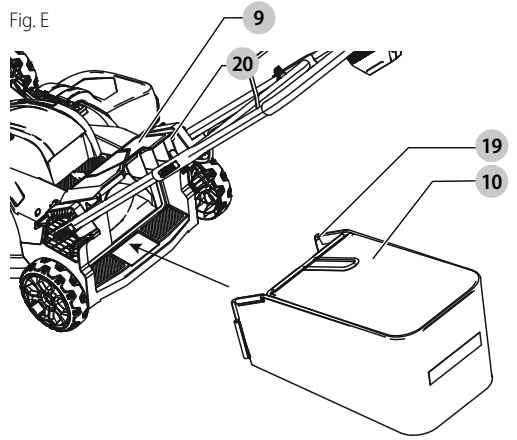


Fig. F

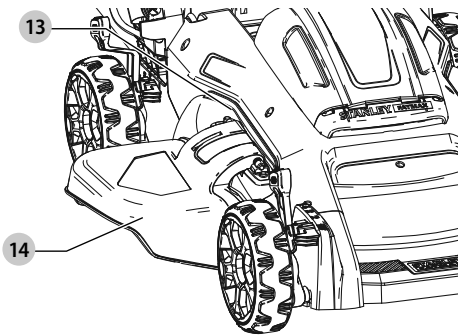


Fig. G

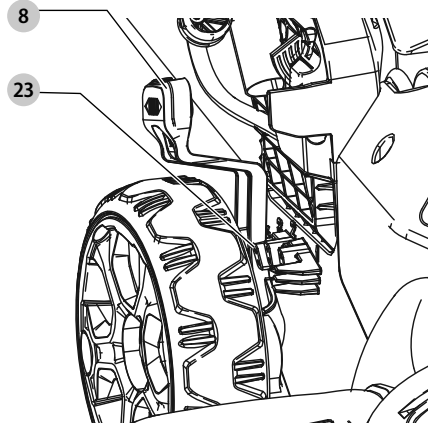


Fig. H

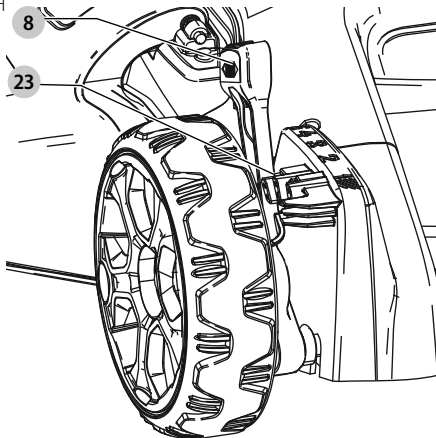


Fig. I

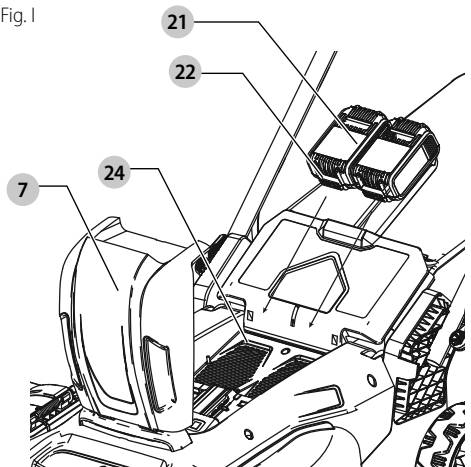


Fig. J

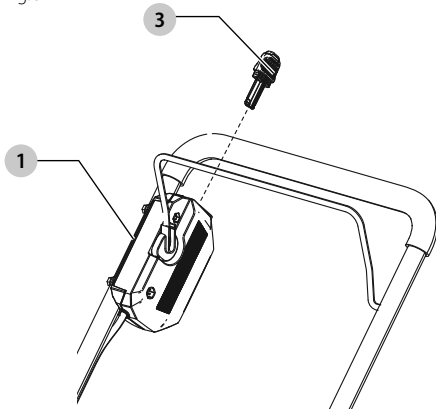


Fig. K

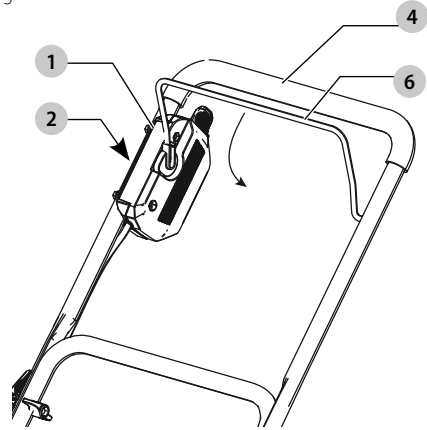


Fig. L

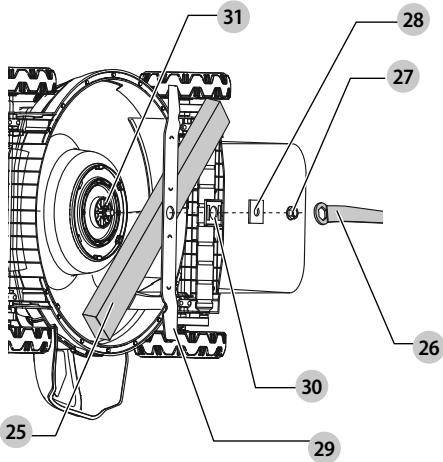


Fig. M

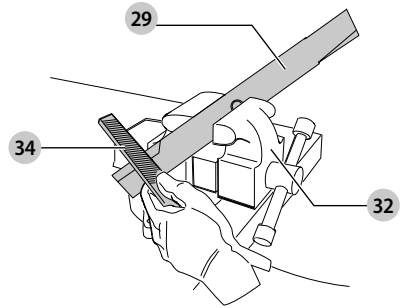
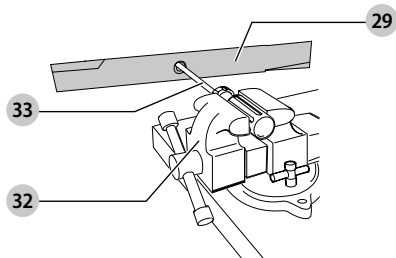


Fig. N



# LAWN MOWER

## SFMCMW2651

### Congratulations!

You have chosen a STANLEY FATMAX tool. Years of experience, thorough product development and innovation make STANLEY FATMAX one of the most reliable partners for consumer power tool users.

SFMCMW2651		
Voltage	$V_{DC}$	2 x 18
Battery type		Li-Ion
No load speed	/min	2600
Blade Length	cm	49,5
Weight (without battery pack)	kg	14
Noise values and vibration values (triax vector sum) according to EN60335-2-77		
$L_{pA}$ (emission sound pressure level)	dB(A)	74.0
K (uncertainty for the sound pressure level)	dB(A)	0.9
$L_{WA}$ (sound power level)	dB(A)	87
K (uncertainty for the given sound level)	dB(A)	0.8
Hand/arm weighted vibration value:		
Vibration emission value $a_{h1}$ =	$m/s^2$	2.5
Uncertainty K =	$m/s^2$	1.5

The vibration and/or noise emission level given in this information sheet has been measured in accordance with a standardised test given in EN60335-2-69 and may be used to compare one tool with another. It may be used for a preliminary assessment of exposure.

**WARNING:** *The declared vibration and/or noise emission level represents the main applications of the tool. However if the tool is used for different applications, with different accessories or poorly maintained, the vibration and/or noise emission may differ. This may significantly increase the exposure level over the total working period.*

*An estimation of the level of exposure to vibration and/or noise should also take into account the times when the tool is switched off or when it is running but not actually doing the job. This may significantly reduce the exposure level over the total working period.*

*Identify additional safety measures to protect the operator from the effects of vibration and/or noise such as: maintain the tool and the accessories, keep the hands warm (relevant for vibration), organisation of work patterns.*

### EC-Declaration of Conformity

#### Machinery Directive



#### Lawn Mower SFMCMW2651

STANLEY FATMAX declares that these products described under **Technical Data** are in compliance with: 2006/42/EC, EN60335-1:2012 + A11:2014 + A13:2017 + A1:2019 + A14:2019 + A2:2019, EN60335-2-77:2010.

These products also comply with Directive 2014/30/EU and 2011/65/EU. For more information, please contact STANLEY FATMAX at the following address or refer to the back of the manual.

The undersigned is responsible for compilation of the technical file and makes this declaration on behalf of STANLEY FATMAX.

2000/14/EC, Lawn Mower, L < 50 cm, Annex VI, DEKRA Certification B.V., Meander 1051 / P.O. Box 5185

6825 MJ ARNHEM / 6802 ED ARNHEM, Netherlands

Notified Body ID No.: 0344

Level of acoustic power according to 2000/14/EC (Article 12, Annex III, L < 50 cm):

$L_{WA}$  (measured sound power) 87.0 dB(A)  
uncertainty (K) = 0.8 dB(A)

$L_{WA}$  (guaranteed sound power) 88 dB(A)

*Patrick Diepenbach*

Patrick Diepenbach  
General Manager, Benelux  
STANLEY FATMAX Europe, Egide Walschaertsstraat 14-18,  
2800 Mechelen, Belgium  
01.12.2020



**WARNING:** *To reduce the risk of injury, read the instruction manual.*

### Definitions: Safety Guidelines

The definitions below describe the level of severity for each signal word. Please read the manual and pay attention to these symbols.




**DANGER:** *Indicates an imminently hazardous situation which, if not avoided, will result in death or serious injury.*




**WARNING:** *Indicates a potentially hazardous situation which, if not avoided, could result in death or serious injury.*

Batteries		Chargers/Charge Times (Minutes)
Cat #	V <sub>DC</sub>	SFMCB12
SFMCB202	18	X
SFMCB204	18	X
SFMCB206	18	X

 **CAUTION:** Indicates a potentially hazardous situation which, if not avoided, **may** result in **minor or moderate injury**.

**NOTICE:** Indicates a practice **not related to personal injury** which, if not avoided, **may** result in **property damage**.

 Denotes risk of electric shock.

 Denotes risk of fire.

## GENERAL POWER TOOL SAFETY WARNINGS

 **WARNING:** Read all safety warnings, instructions, illustrations and specifications provided with this power tool. Failure to follow all instructions listed below may result in electric shock, fire and/or serious injury.

### SAVE ALL WARNINGS AND INSTRUCTIONS FOR FUTURE REFERENCE

The term "power tool" in the warnings refers to your mains-operated (corded) power tool or battery-operated (cordless) power tool.

#### 1) Work Area Safety

- Keep work area clean and well lit.** Cluttered or dark areas invite accidents.
- Do not operate power tools in explosive atmospheres, such as in the presence of flammable liquids, gases or dust.** Power tools create sparks which may ignite the dust or fumes.
- Keep children and bystanders away while operating a power tool.** Distractions can cause you to lose control.

#### 2) Electrical Safety

- Power tool plugs must match the outlet. Never modify the plug in any way. Do not use any adapter plugs with earthed (grounded) power tools.** Unmodified plugs and matching outlets will reduce risk of electric shock.
- Avoid body contact with earthed or grounded surfaces, such as pipes, radiators, ranges and refrigerators.** There is an increased risk of electric shock if your body is earthed or grounded.
- Do not expose power tools to rain or wet conditions.** Water entering a power tool will increase the risk of electric shock.
- Do not abuse the cord. Never use the cord for carrying, pulling or unplugging the power tool. Keep cord away from heat, oil, sharp edges or moving parts.** Damaged or entangled cords increase the risk of electric shock.

- When operating a power tool outdoors, use an extension cord suitable for outdoor use.** Use of a cord suitable for outdoor use reduces the risk of electric shock.
- If operating a power tool in a damp location is unavoidable, use a residual current device (RCD) protected supply.** Use of an RCD reduces the risk of electric shock.

#### 3) Personal Safety

- Stay alert, watch what you are doing and use common sense when operating a power tool. Do not use a power tool while you are tired or under the influence of drugs, alcohol or medication.** A moment of inattention while operating power tools may result in serious personal injury.
- Use personal protective equipment. Always wear eye protection.** Protective equipment such as a dust mask, non-skid safety shoes, hard hat or hearing protection used for appropriate conditions will reduce personal injuries.
- Prevent unintentional starting. Ensure the switch is in the off-position before connecting to power source and/or battery pack, picking up or carrying the tool.** Carrying power tools with your finger on the switch or energising power tools that have the switch on invites accidents.
- Remove any adjusting key or wrench before turning the power tool on.** A wrench or a key left attached to a rotating part of the power tool may result in personal injury.
- Do not overreach. Keep proper footing and balance at all times.** This enables better control of the power tool in unexpected situations.
- Dress properly. Do not wear loose clothing or jewellery. Keep your hair and clothing away from moving parts.** Loose clothes, jewellery or long hair can be caught in moving parts.
- If devices are provided for the connection of dust extraction and collection facilities, ensure these are connected and properly used.** Use of dust collection can reduce dust-related hazards.
- Do not let familiarity gained from frequent use of tools allow you to become complacent and ignore tool safety principles.** A careless action can cause severe injury within a fraction of a second.

#### 4) Power Tool Use and Care

- Do not force the power tool. Use the correct power tool for your application.** The correct power tool will do the job better and safer at the rate for which it was designed.

- b) **Do not use the power tool if the switch does not turn it on and off.** Any power tool that cannot be controlled with the switch is dangerous and must be repaired.
- c) **Disconnect the plug from the power source and/or remove the battery pack, if detachable, from the power tool before making any adjustments, changing accessories, or storing power tools.** Such preventive safety measures reduce the risk of starting the power tool accidentally.
- d) **Store idle power tools out of the reach of children and do not allow persons unfamiliar with the power tool or these instructions to operate the power tool.** Power tools are dangerous in the hands of untrained users.
- e) **Maintain power tools and accessories. Check for misalignment or binding of moving parts, breakage of parts and any other condition that may affect the power tool's operation. If damaged, have the power tool repaired before use.** Many accidents are caused by poorly maintained power tools.
- f) **Keep cutting tools sharp and clean.** Properly maintained cutting tools with sharp cutting edges are less likely to bind and are easier to control.
- g) **Use the power tool, accessories and tool bits etc. in accordance with these instructions, taking into account the working conditions and the work to be performed.** Use of the power tool for operations different from those intended could result in a hazardous situation.
- h) **Keep handles and grasping surfaces dry, clean and free from oil and grease.** Slippery handles and grasping surfaces do not allow for safe handling and control of the tool in unexpected situations.

## 5) Battery Tool Use and Care

- a) **Recharge only with the charger specified by the manufacturer.** A charger that is suitable for one type of battery pack may create a risk of fire when used with another battery pack.
- b) **Use power tools only with specifically designated battery packs.** Use of any other battery packs may create a risk of injury and fire.
- c) **When battery pack is not in use, keep it away from other metal objects, like paper clips, coins, keys, nails, screws or other small metal objects, that can make a connection from one terminal to another.** Shorting the battery terminals together may cause burns or a fire.
- d) **Under abusive conditions, liquid may be ejected from the battery; avoid contact. If contact accidentally occurs, flush with water. If liquid contacts eyes, additionally seek medical help.** Liquid ejected from the battery may cause irritation or burns.
- e) **Do not use a battery pack or tool that is damaged or modified.** Damaged or modified batteries may exhibit unpredictable behaviour resulting in fire, explosion or risk of injury.
- f) **Do not expose a battery pack or tool to fire or excessive temperature.** Exposure to fire or temperature above 130 °C may cause explosion.

- g) **Follow all charging instructions and do not charge the battery pack or tool outside the temperature range specified in the instructions.** Charging improperly or at temperatures outside the specified range may damage the battery and increase the risk of fire.

## 6) Service

- a) **Have your power tool serviced by a qualified repair person using only identical replacement parts.** This will ensure that the safety of the power tool is maintained.
- b) **Never service damaged battery packs.** Service of battery packs should only be performed by the manufacturer or authorized service providers.

## IMPORTANT SAFETY WARNINGS AND INSTRUCTIONS



**WARNING:** To reduce risk of injury:

- Before any use, be sure everyone using this tool reads and understands all safety instructions and other information contained in this manual.
- Save these instructions and review frequently prior to use and in instructing others.



**WARNING:** When using battery powered lawn mowers, basic safety precautions should always be followed to reduce the risk of fire, electric shock, and personal injury, including the following:

### READ ALL INSTRUCTIONS

## GENERAL SAFETY WARNINGS AND INSTRUCTIONS FOR ALL LAWN MOWERS



**DANGER:**

- **This tool can be dangerous.** Follow all warnings and Safety Instructions in this manual. The operator is responsible for following warnings and instructions in this manual and on unit. Restrict use of this mower to persons who read, understand and follow warnings and instructions in this manual and on unit.
- **Avoid dangerous environment** – don't use lawn mowers in damp or wet locations.
- **Don't Use In Rain.**
- **Keep Children Away** – All visitors should be kept a safe distance from work area.
- **Dress Properly** – Do not wear loose clothing or jewelry. They can be caught in moving parts. Use of rubber gloves and footwear is recommended when working outdoors.
- **Use Safety Glasses** – Always use face or dust mask if operation is dusty.
- **Use Right Appliance** – Do not use lawn mower for any job except that for which it is intended.
- **Check for damaged parts.** Before further use of the mower, a guard or other part that is damaged should be carefully checked to determine that it will operate properly and perform its intended function. Check for alignment of moving parts, binding of moving parts, breakage of parts, mounting, and



any other conditions that may affect their operation. A guard or other part that is damaged should be properly repaired or replaced by an authorised service centre unless otherwise indicated elsewhere in this manual.

- **Repairs and service.** Repairs, maintenance and any adjustments not specified in this manual should be performed by authorised service centres or other qualified service organizations, always using identical replacement parts.
- **Don't Force Lawn Mower** – It will do the job better and safer at the rate for which it was designed.
- **Don't Overreach** – Keep proper footing and balance at all times.
- **Stay Alert** – Watch what you are doing. Use common sense. Do not operate lawn mower when you are tired.
- **Disconnect Lawn Mower** – Remove the safety key and battery packs from the mower when not in use, before servicing, when changing accessories such as blades, and the like.
- **Store Idle Lawn Mower Indoors** – When not in use, lawn mower should be stored in an indoor dry and locked-up place – out of reach of children. Remove safety key and battery packs.
- **Maintain Lawn Mower With Care** – Keep cutting edges sharp and clean for best and safest performance. Follow instructions for lubricating and changing accessories. Keep handles dry, clean, and free from oil and grease.
- **Keep guards in place and in working order.**
- **Keep blades sharp.**
- **Keep hands and feet away from cutting area.**
- **Objects struck by the lawn mower blade can cause severe injuries to persons.** The lawn should always be carefully examined and cleared of all objects prior to each mowing.
- **If lawn mower strikes a foreign object, follow these steps:**
  1. Stop lawn mower. Release the bail handle.
  2. Remove battery packs and safety key.
  3. Inspect for damage.
  4. Repair any damage before restarting and operating the lawn mower.
- **Use identical replacement blades only.**

## SAVE THESE INSTRUCTIONS

### Important

#### Safe Practices for Pedestrian-Controlled Mowers

This machine is capable of amputating hands and feet and throwing objects. Failure to observe the following safety instructions could result in serious injury or death.

#### General Information

1. Read, understand, and follow instructions and warnings in this manual and on the machine, engine and attachments.
2. Only allow operators, who are responsible, trained, familiar with the instructions, and physically capable to operate the machine.

3. Do not operate the machine while under the influence of alcohol or drugs.

#### Preparation Before Operating

1. Clear the operating area of any objects which could be thrown by or interfere with operation of the machine.
2. Keep the area of operation clear of all bystanders, particularly small children and pets. Stop the machine and attachment(s) if anyone enters the area.
3. Do not operate the machine without the entire grass catcher, discharge chute, or other safety devices in place and functioning properly. Check frequently for signs of wear or deterioration and replace as needed.
4. Wear appropriate personal protective equipment such as safety glasses, hearing protection, respiratory protection and footwear.

#### Operating

1. Only operate the machine in daylight or good artificial light.
2. Avoid holes, ruts, bumps, rocks, or other hidden hazards. Uneven terrain could overturn the machine, or cause operator's loss of balance or footing. Tall grass can hide obstacles. Stay behind handle.
3. Do not put hands or feet near rotating parts or under the machine. Keep clear of the discharge opening at all times.
4. Do not direct discharge material toward anyone. Avoid discharging material against a wall or obstruction. Material may ricochet back toward the operator. Stop the blade(s) when crossing gravel surfaces.
5. Do not pull mower backward unless absolutely necessary. Always look down and behind before and while moving backward.
6. Always release the bail handle to stop the motor and wait until the blade comes to a complete stop and remove the safety key and battery packs before cleaning the mower, removing the grass catcher, unclogging the discharge, when leaving the mower, when storing the mower, when transporting the mower, or before any adjustments, repairs or inspection.
7. If the mower should start to vibrate abnormally, release the bail handle, wait for the blade to stop and remove the safety key and battery packs, then check for the cause immediately. Vibration is generally a warning of trouble.

#### Children Specific

1. Tragic accidents can occur if the operator is not alert to the presence of children. Children are often attracted to the machine and the mowing activity. Never assume that children will remain where you last saw them.
2. Keep children out of the operating area and under the watchful care of a responsible adult other than the operator.
3. Be alert and turn mower off if child enters the area.

#### Slope Specific

1. Slopes are a major factor related to accidents. Operation on slopes requires extra caution. Do not mow slope if uncomfortable doing so.

2. Mow across the face of slopes; never up and down. Use caution while operating near dropoffs, ditches, or embankments.
3. Avoid mowing wet grass. (Poor footing could cause a slip and fall accident.)
4. Do not operate machine under any condition where traction, steering, or stability is in question. Mower could slide even if the wheels are stopped.
5. Avoid starting and stopping on slopes. Avoid making sudden changes in speed or direction. Make turns slowly and gradually.
6. Use extra care while operating machine with a grass catcher or other attachment(s). They can affect the stability of the machine.

### Service

1. Keep machine in good working order. Replace worn or damaged parts.
2. Use caution when servicing blades. Wrap the blade(s) or wear gloves. Replace damaged blades. Do not repair or alter blade(s). Keep all nuts and bolts tight.
3. Keep mower free of grass, leaves, or other debris build-up.
4. Maintain or replace safety and instruction labels as necessary.

The following are explanations of important safety hazard pictorials on the mower.



User must read and understand the instruction manual.



To avoid the risk of serious injury do not mow up and down slopes. Always mow across slopes.



To avoid the risk of injury to bystanders keep all persons and pets at a safe distance from the mower while operating.



Rotating blades can cause serious injury. Keep hands and feet clear of mower deck and discharge opening at all times. Always be sure blade has stopped. Release bail handle to turn mower off and wait for the blade to stop rotating (approximately 3 seconds) and remove the safety key and battery packs before removing and replacing grass catcher, cleaning, servicing, transporting or lifting the mower.



Objects struck by mower blade can cause serious injury. Stay behind the handle when the motor is running. Always ensure persons and pets are clear of the discharge from the mower while operating. Always inspect mowing area before mowing and remove objects that could be thrown by blade. Release bail handle to turn mower off and wait for the blade to stop rotating (approximately 3 seconds) before crossing walk, roads, patio and gravel drives.

### Additional Safety Information



**WARNING:** Never modify the power tool or any part of it. Damage or personal injury could result.



**WARNING: ALWAYS** use safety glasses. Everyday eyeglasses are NOT safety glasses. Also use face or dust mask if cutting operation is dusty. Wear hearing protection if cutting operation is noisy. ALWAYS WEAR CERTIFIED SAFETY EQUIPMENT.

### Residual Risks

In spite of the application of the relevant safety regulations and the implementation of safety devices, certain residual risks cannot be avoided. These are:

- Impairment of hearing.
- Risk of personal injury due to flying particles.
- Risk of burns due to accessories becoming hot during operation.
- Risk of personal injury due to prolonged use.

### SAVE THESE INSTRUCTIONS

### Chargers

STANLEY FATMAX chargers require no adjustment and are designed to be as easy as possible to operate.

### Electrical Safety

The electric motor has been designed for one voltage only. Always check that the battery pack voltage corresponds to the voltage on the rating plate. Also make sure that the voltage of your charger corresponds to that of your mains.



Your STANLEY FATMAX charger is double insulated in accordance with EN60335; therefore no earth wire is required.

If the supply cord is damaged, it must be replaced only by STANLEY FATMAX or an authorised service organisation.

### Mains Plug Replacement (U.K. & Ireland Only)

If a new mains plug needs to be fitted:

- Safely dispose of the old plug.
- Connect the brown lead to the live terminal in the plug.
- Connect the blue lead to the neutral terminal.



**WARNING:** No connection is to be made to the earth terminal.

Follow the fitting instructions supplied with good quality plugs. Recommended fuse: 3 A.

### Using an Extension Cable

An extension cord should not be used unless absolutely necessary. Use an approved extension cable suitable for the power input of your charger (see **Technical Data**). The minimum conductor size is 1 mm<sup>2</sup>; the maximum length is 30 m.

When using a cable reel, always unwind the cable completely.

## Important Safety Instructions for All Battery Chargers

**SAVE THESE INSTRUCTIONS:** This manual contains important safety and operating instructions for compatible battery chargers (refer to **Technical Data**).

- Before using charger, read all instructions and cautionary markings on charger, battery pack, and product using battery pack.



**WARNING:** Shock hazard. Do not allow any liquid to get inside charger. Electric shock may result.



**WARNING:** We recommend the use of a residual current device with a residual current rating of 30mA or less.



**CAUTION:** Burn hazard. To reduce the risk of injury, charge only STANLEY FATMAX rechargeable batteries. Other types of batteries may burst causing personal injury and damage.



**CAUTION:** Children should be supervised to ensure that they do not play with the appliance.

**NOTICE:** Under certain conditions, with the charger plugged into the power supply, the exposed charging contacts inside the charger can be shorted by foreign material. Foreign materials of a conductive nature such as, but not limited to, steel wool, aluminum foil or any buildup of metallic particles should be kept away from charger cavities. Always unplug the charger from the power supply when there is no battery pack in the cavity. Unplug charger before attempting to clean.

- **DO NOT attempt to charge the battery pack with any chargers other than the ones in this manual.** The charger and battery pack are specifically designed to work together.
- **These chargers are not intended for any uses other than charging STANLEY FATMAX rechargeable batteries.** Any other uses may result in risk of fire, electric shock or electrocution.
- **Do not expose charger to rain or snow.**
- **Pull by plug rather than cord when disconnecting charger.** This will reduce risk of damage to electric plug and cord.
- **Make sure that cord is located so that it will not be stepped on, tripped over, or otherwise subjected to damage or stress.**
- **Do not use an extension cord unless it is absolutely necessary.** Use of improper extension cord could result in risk of fire, electric shock, or electrocution.
- **Do not place any object on top of charger or place the charger on a soft surface that might block the ventilation slots and result in excessive internal heat.** Place the charger in a position away from any heat source. The charger is ventilated through slots in the top and the bottom of the housing.
- **Do not operate charger with damaged cord or plug—** have them replaced immediately.
- **Do not operate charger if it has received a sharp blow, been dropped, or otherwise damaged in any way.** Take it to an authorised service centre.

- **Do not disassemble charger; take it to an authorised service centre when service or repair is required.** Incorrect reassembly may result in a risk of electric shock, electrocution or fire.
- *In case of damaged power supply cord, the supply cord must be replaced immediately by the manufacturer, its service agent or similar qualified person to prevent any hazard.*
- **Disconnect the charger from the outlet before attempting any cleaning. This will reduce the risk of electric shock.** Removing the battery pack will not reduce this risk.
- **NEVER attempt to connect two chargers together.**
- **The charger is designed to operate on standard 230V household electrical power. Do not attempt to use it on any other voltage.** This does not apply to the vehicular charger.

### Charging a Battery (Fig. B)

1. Plug the charger into an appropriate outlet before inserting battery pack.
2. Insert the battery pack **21** into the charger, making sure the battery pack is fully seated in the charger. The red (charging) light will blink repeatedly indicating that the charging process has started.
3. The completion of charge will be indicated by the red light remaining ON continuously. The battery pack is fully charged and may be used at this time or left in the charger. To remove the battery pack from the charger, push the battery release button **22** on the battery pack.

**NOTE:** To ensure maximum performance and life of lithium-ion battery packs, charge the battery pack fully before first use.

### Charger Operation

Refer to the indicators below for the charge status of the battery pack.

Charge Indicators	
Charging	
Fully Charged	
Hot/Cold Pack Delay*	

\*The red light will continue to blink, but a yellow indicator light will be illuminated during this operation. Once the battery pack has reached an appropriate temperature, the yellow light will turn off and the charger will resume the charging procedure.

The compatible charger(s) will not charge a faulty battery pack. The charger will indicate faulty battery by refusing to light.

**NOTE:** This could also mean a problem with a charger.

If the charger indicates a problem, take the charger and battery pack to be tested at an authorised service centre.

#### Hot/Cold Pack Delay

When the charger detects a battery pack that is too hot or too cold, it automatically starts a Hot/Cold Pack Delay, suspending charging until the battery pack has reached an appropriate

temperature. The charger then automatically switches to the pack charging mode. This feature ensures maximum battery pack life.

A cold battery pack will charge at a slower rate than a warm battery pack. The battery pack will charge at that slower rate throughout the entire charging cycle and will not return to maximum charge rate even if the battery pack warms.

### Electronic Protection System

Li-Ion tools are designed with an Electronic Protection System that will protect the battery pack against overloading, overheating or deep discharge.

The tool will automatically turn off if the Electronic Protection System engages. If this occurs, place the lithium-ion battery pack on the charger until it is fully charged.

## Battery Packs

### Important Safety Instructions for All Battery Packs

When ordering replacement battery packs, be sure to include catalogue number and voltage.

The battery pack is not fully charged out of the carton. Before using the battery pack and charger, read the safety instructions below. Then follow charging procedures outlined.

#### READ ALL INSTRUCTIONS

- **Do not charge or use battery in explosive atmospheres, such as in the presence of flammable liquids, gases or dust.** Inserting or removing the battery from the charger may ignite the dust or fumes.
- **Never force battery pack into charger. Do not modify battery pack in any way to fit into a non-compatible charger as battery pack may rupture causing serious personal injury.**
- Charge the battery packs only in STANLEY FATMAX chargers.
- **DO NOT** splash or immerse in water or other liquids.
- **Do not store or use the tool and battery pack in locations where the temperature may fall below 4 °C (39.2 °F) (such as outside sheds or metal buildings in winter), or reach or exceed 40 °C (104 °F) (such as outside sheds or metal buildings in summer).**
- **Do not incinerate the battery pack even if it is severely damaged or is completely worn out.** The battery pack can explode in a fire. Toxic fumes and materials are created when lithium-ion battery packs are burned.
- **If battery contents come into contact with the skin, immediately wash area with mild soap and water.** If battery liquid gets into the eye, rinse water over the open eye for 15 minutes or until irritation ceases. If medical attention is needed, the battery electrolyte is composed of a mixture of liquid organic carbonates and lithium salts.
- **Contents of opened battery cells may cause respiratory irritation.** Provide fresh air. If symptoms persists, seek medical attention.



**WARNING:** Burn hazard. Battery liquid may be flammable if exposed to spark or flame.



**WARNING:** Never attempt to open the battery pack for any reason. If battery pack case is cracked or damaged, do not insert into charger. Do not crush, drop or damage battery pack. Do not use a battery pack or charger that has received a sharp blow, been dropped, run over or damaged in any way (i.e., pierced with a nail, hit with a hammer, stepped on). Electric shock or electrocution may result. Damaged battery packs should be returned to service centre for recycling.



**WARNING:** Fire hazard. Do not store or carry the battery pack so that metal objects can contact exposed battery terminals. For example, do not place the battery pack in aprons, pockets, tool boxes, product kit boxes, drawers, etc., with loose nails, screws, keys, etc.



**CAUTION:** When not in use, place tool on its side on a stable surface where it will not cause a tripping or falling hazard. Some tools with large battery packs will stand upright on the battery pack but may be easily knocked over.

### Transportation



**WARNING:** Fire hazard. Transporting batteries can possibly cause fire if the battery terminals inadvertently come in contact with conductive materials. When transporting batteries, make sure that the battery terminals are protected and well insulated from materials that could contact them and cause a short circuit. **NOTE:** Lithium-ion batteries should not be put in checked baggage.

STANLEY FATMAX batteries comply with all applicable shipping regulations as prescribed by industry and legal standards which include UN Recommendations on the Transport of Dangerous Goods; International Air Transport Association (IATA) Dangerous Goods Regulations, International Maritime Dangerous Goods (IMDG) Regulations, and the European Agreement Concerning The International Carriage of Dangerous Goods by Road (ADR). Lithium-ion cells and batteries have been tested to section 38.3 of the UN Recommendations on the Transport of Dangerous Goods Manual of Tests and Criteria.

In most instances, shipping a battery pack will be exempted from being classified as a fully regulated Class 9 Hazardous Material. In general, only shipments containing a lithium-ion battery with an energy rating greater than 100 Watt Hours (Wh) will require being shipped as fully regulated Class 9. All lithium-ion batteries have the Watt Hour rating marked on the pack. Furthermore, due to regulation complexities, STANLEY FATMAX does not recommend air shipping lithium-ion battery packs alone regardless of Watt Hour rating. Shipments of tools with batteries (combo kits) can be air shipped as excepted if the Watt Hour rating of the battery pack is no greater than 100 Wh. Regardless of whether a shipment is considered excepted or fully regulated, it is the shipper's responsibility to consult the latest regulations for packaging, labeling/marketing and documentation requirements.

The information provided in this section of the manual is provided in good faith and believed to be accurate at the time the document was created. However, no warranty, expressed or implied, is given. It is the buyer's responsibility to ensure that its activities comply with the applicable regulations.

### Storage Recommendations

1. The best storage place is one that is cool and dry away from direct sunlight and excess heat or cold. For optimum battery performance and life, store battery packs at room temperature when not in use.
2. For long storage, it is recommended to store a fully charged battery pack in a cool, dry place out of the charger for optimal results.

**NOTE:** Battery packs should not be stored completely depleted of charge. The battery pack will need to be recharged before use.

### Labels on Charger and Battery Pack

In addition to the pictographs used in this manual, the labels on the charger and the battery pack may show the following pictographs:



Read instruction manual before use.



See **Technical Data** for charging time.



Do not probe with conductive objects.



Do not charge damaged battery packs.



Do not expose to water.



Have defective cords replaced immediately



Charge only between 4 °C and 40 °C.



Only for indoor use.



Discard the battery pack with due care for the environment.



Charge STANLEY FATMAX battery packs only with designated STANLEY FATMAX chargers. Charging battery packs other than the designated STANLEY FATMAX batteries with a STANLEY FATMAX charger may make them burst or lead to other dangerous situations.



Do not incinerate the battery pack.

### Battery Type

The following tools operate on two 18 volt battery packs: SFMCMW2651

These battery packs may be used: SFMCB202, SFMCB204, SFMCB206. Refer to **Technical Data** for more information.

### Package Contents

The package contains:

- 1 Lawn mower
- 1 Charger
- 1 Grass Collection Bag
- 1 Side Discharge Chute
- 1 Safety Key
- 2 Li-Ion battery packs (C2, D2, L2, M2, P2, S2, T2, X2, Y3 models)
- 1 Instruction manual

**NOTE:** Battery packs, chargers and kitboxes are not included with N models. Battery packs and chargers are not included with NT models.

- Check for damage to the tool, parts or accessories which may have occurred during transport.
- Take the time to thoroughly read and understand this manual prior to operation.

### Markings on Tool

The following pictographs are shown on the tool:



Read instruction manual before use.



Wear ear protection.



Wear eye protection.



Beware of flying objects. Keep bystanders away from the cutting area.



Directive 2000/14/EC guaranteed sound power.



Do not expose to rain.



The blades will continue to rotate after the machine is switched off.

### Date Code Position (Fig. A)

The date code **18**, which also includes the year of manufacture, is printed into the housing.

Example:

2020 XX XX

Year and week of Manufacture

## Description (Fig. A)



**WARNING:** Never modify the area light. Damage or personal injury could result.

- 1 ON-OFF switch box
- 2 ON-OFF button
- 3 Safety key
- 4 Main handle (Upper handle)
- 5 Lower handle
- 6 Bail handle
- 7 Battery cover
- 8 Cut height adjust lever
- 9 Rear door cover
- 10 Grass collection bag
- 11 Grass collection bag handle
- 12 Lower carrying handle
- 13 Side flap
- 14 Side discharge attachment
- 15 Handle height adjust levers
- 16 Upper handle lock levers
- 17 Upper handle knob

### Intended Use

This lawn mower has been designed for consumer lawn mowing applications.

**DO NOT** use under wet conditions or in the presence of flammable liquids or gases.

**DO NOT** let children come into contact with the tool.

Supervision is required when inexperienced operators use this tool.

- **Young children and the infirm.** This appliance is not intended for use by young children or infirm persons without supervision.
- This appliance is not intended for use by persons (including children) with reduced physical, sensory or mental capabilities, or lack of experience and knowledge, unless they have been given supervision or instruction concerning use of the appliance by a person responsible for their safety. Children should be supervised to ensure that they do not play with the appliance.

## ASSEMBLY AND ADJUSTMENTS



**DANGER:** To reduce the risk of serious personal injury, turn unit off and remove the safety key and battery packs before making any adjustments or removing/installing attachments or accessories. An accidental start-up can cause injury.

### Adjusting Handle Height (Fig. A, C)

The mower is shipped in storage mode. You will need to adjust the handle to operating position before continuing.

1. To unlock the lower handle **5** from the storage position, open the two handle height adjust levers **15**. The handle height adjust levers **15** are located on both sides of the lower handle **5**.

2. Raise the lower handle to the operating position. Take care to not pinch or stress the cord.
3. Close the handle height adjust levers **15**, securing the lower handle into position.

**NOTE:** If the connection between the handle and lever is too tight or too loose, open the lever and adjust the depth of the lever by turning the lever clockwise or counterclockwise. Close it again until each lever stays securely closed and the handle is secure and will not move.

### Attaching Upper Handle (Fig. A, D)

1. Line up the holes on the bottom of the upper handle **4** with the holes on the top of the lower handle **5**. Take care to not pinch or stress the cord.

**NOTE:** Make sure the cord is located on the front of both handles. If it is not it may result in the cord tangling and the inability to easily store the mower.

2. From the outside of the upper handle **4**, slide the handle lock levers **16** through the two handle holes. Repeat for the opposite side.
3. From the inside of the upper handle loosely tighten a knob **17** onto each handle lock lever **16**.
4. Rotate the upper handle **4** into its operating position. Take care to not pinch or stress the cord.
5. Close the handle lock levers **16** securing the upper handle into position.

**NOTE:** If the connection between the handle and lever is too tight or too loose, open the lever and adjust the depth of the lever by turning the lever clockwise or counterclockwise. Close it again until each lever stays securely closed and the handle is secure and will not move.

### Grass Collection Bag (Fig. E)



**DANGER:** Turn unit off and remove safety key and battery packs.

1. Lift the rear door cover **9** and place the grass collection bag **10** onto the mower so the bag lugs **19** slide into the slots **20** on the inside plastic surfaces of the handle brackets as shown in Fig. E. Then lower the rear door cover.
2. If installed, remove side discharge chute **14** and make sure side flap **13** is fully down.

### Side Discharge (Fig. A, F)




**DANGER:** Turn unit off and remove safety key and battery packs.

1. To operate mower in side discharge mode, remove the grass collection bag **10**.
2. Be sure rear door cover **9** is closed.
3. Lift the side flap **13** and hook side discharge chute **14** onto the mower.
4. Release the side flap and ensure the side discharge chute **14** holds in place before turning mower on.


**NOTE:** The rear door cover **9** is shaped in such a way that the opening (at the bottom) cannot be completely closed off.

## Mulching (Fig. A, E, F)

 **DANGER:** Turn unit off and remove safety key and battery packs.

1. To operate mower in mulching mode, remove the grass collection bag **10**.
2. Be sure rear door cover **9** is closed.
3. If installed, remove side discharge chute **14** and make sure side flap **13** is fully down.

## Adjusting Mower Height (Fig. G, H)

 **WARNING:** Never attempt to adjust mower height with the motor running.

The height of cut is adjusted by the cut height adjust lever **8**.


**NOTE:** If you are not sure what height to cut at, begin mowing with the cut height adjustment levers **8** positioned towards the rear of the appliance and adjust the height down as needed.


### To Set the Height of Cut

1. Pull the cut height adjustment lever **8** out of the locking notch **23**.
2. Move the lever towards the rear of the appliance to raise the height of cut as desired.
3. Move the lever towards the front of the appliance to lower the height of cut as desired.
4. Push the cut height adjustment lever **8** into one of the locking notches **23** to set the height.
5. Repeat for the other cut height adjustment lever **8**.


## OPERATION


### Instructions for Use

 **WARNING:** Always observe the safety instructions and applicable regulations.

 **WARNING:** To reduce the risk of serious personal injury, turn tool off and disconnect battery pack before making any adjustments or removing/installing attachments or accessories. An accidental start-up can cause injury.

### Proper Hand Position (Fig. K)


 **WARNING:** To reduce the risk of serious personal injury, ALWAYS use proper hand position as shown.

 **WARNING:** To reduce the risk of serious personal injury, ALWAYS hold securely in anticipation of a sudden reaction.

Proper hand position requires both hands grasping the main handle **4**, and bail handle **6**.


## READ THIS INSTRUCTION MANUAL BEFORE OPERATING YOUR MOWER

Refer to Figure A at the beginning of this manual for a complete list of components. Save this manual for future reference.

 **DANGER:** Sharp moving blade. Do not operate the mower in mulching mode if the rear door and side discharge door are not closed under spring tension as

serious injury could result. Take your mower to the nearest service center for repair.

 **DANGER:** Do not operate mower unless handle is locked into position.

 **DANGER:** Sharp moving blade. Never operate the mower in bagging mode unless the bag lugs on the grass collection bag are seated properly on the mower and the rear discharge door rests firmly against the top of the grass collection bag as serious injury could result.

 **WARNING:** Let the mower work at its own pace. Do not overload.

## Installing and Removing the Battery Packs (Fig. I)

 **DANGER:** MAKE CERTAIN THE SAFETY KEY IS REMOVED TO PREVENT ACTUATION BEFORE REMOVING OR INSTALLING BATTERIES.

This mower is designed to operate on two battery packs of equal capacity. The mower will not operate on a single battery pack, and if using different capacity battery packs, the smaller capacity battery pack, when depleted, will cause the unit to turn off.

**NOTE:** For best results, make sure the battery packs are fully charged.

### To Install the Battery Packs

1. Lift and hold the battery port cover **7** up to expose the battery port **24**.
2. Slide a battery pack **21** into the battery port **24** until an audible click is heard (Fig. I). Repeat for the second battery port.


**NOTE:** Ensure the battery packs are fully seated and fully latched into position before starting mower.

3. Close the battery port cover. Ensure the cover is fully closed before starting mower.


### To Remove the Battery Packs

1. Lift and hold the battery port cover **7** up to expose the battery port **24**.
2. Depress the battery release button **22** on the battery pack **21** and pull the battery packs out of tool.

### Safety Key (Fig. J)

 **DANGER:** Sharp moving blade. In order to prevent accidental start-up or unauthorized use of your cordless mower, a removable safety key **3** has been incorporated into the design of your mower. The mower will be completely disabled when the safety key has been removed from the mower.

**NOTE:** The safety key has a tether rope to allow for storage on a nail, out of the reach of children. Do not tether safety key to mower.

 **DANGER:** Rotating blades can cause serious injury. To prevent serious injury, turn unit off and remove safety key and battery packs when unattended, or when charging, cleaning, servicing, transporting, lifting, or storing mower.

## Starting Mower (Fig. I–K)

**⚠ DANGER: Sharp moving blade. Never attempt to override the operation of the switch box and safety key system as serious injury could result.**

**NOTE:** Mower is operational when battery packs and safety key are installed.

1. Lift and hold the battery port cover **7** up to expose the battery port **24**.
2. Slide a battery pack **21** into the battery port **24** until an audible click is heard. Repeat this process for the second battery port.  
**NOTE:** Ensure the battery packs are fully seated and fully latched into position before starting mower.
3. Close the battery port cover. Ensure the cover is fully closed before starting mower.
4. Insert safety key **3** into the ON-OFF switch box **1** until it is fully seated inside housing. The mower is now operational.
5. Your mower is equipped with a special ON-OFF switch box **1**. To operate the mower, push and hold the ON-OFF button **2** on the ON-OFF switch box **1**, then pull the bail handle **6** to the main handle **4**.

**NOTE:** Once the mower starts you can release the ON-OFF button, but you must continue to hold the bail handle to the main handle for the mower to run.

6. To turn the mower OFF, release the bail handle **6**.

**⚠ WARNING: Never attempt to lock a switch or bail handle in the ON position.**

**NOTE:** Once the bail handle has returned to the original position it will activate the "Automatic Braking Mechanism". The motor is braked and the mower blade will stop rotating in three seconds or less. If mower blade rotates longer than three seconds, discontinue using mower and have it serviced.

## Mower Overload

To prevent damage due to overload conditions, do not try to remove too much grass at one time. Slow down your cutting pace, or raise the cut height.

## Mowing Tips (Fig. A)

**⚠ WARNING: ALWAYS INSPECT AREA WHERE MOWER IS TO BE USED AND REMOVE ALL STONES, STICKS, WIRE, BONES, AND OTHER DEBRIS WHICH MIGHT BE THROWN BY THE ROTATING BLADE.**

**⚠ WARNING: Mow across the face of slopes, never up-and-down. Exercise extreme caution when changing direction on slopes. Do not mow excessively (greater than 15°) steep slopes. Always maintain good footing.**

- Release bail handle to turn mower "OFF" when crossing any gravel area (stones can be thrown by the blade).
- Set mower at highest cutting height when mowing in rough ground or in tall weeds. Removing too much grass at one time can cause the motor to be overloaded and to stop.
- If a grass collection bag **10** is used during the fast growing season, the grass may tend to clog up at the discharge opening. Release bail handle to turn mower off, remove

the safety key and battery packs. Remove the catcher and shake the grass down to the back end of the bag. Also clean out any grass or debris which may be packed around the discharge opening. Replace the grass catcher.

- If mower should start to vibrate abnormally, release bail handle to turn mower off, remove the safety key and battery packs. Check immediately for cause. Vibration is a warning of trouble. Do not operate mower until a service check has been made.
- For best cutting results, keep blade sharpened and balanced.
- Inspect and thoroughly clean mower after each use as a deck with caked grass will degrade performance.
- Always release bail handle to turn mower off, remove safety key and battery packs when leaving it unattended even for a short period of time.

## The following suggestions will help you to obtain optimum run time from your cordless mower:

- Slow down in areas where the grass is especially long or thick.
- Avoid mowing when the grass is wet from rain or dew-soaked.
- Cut your lawn frequently, especially during high growth periods.

**NOTE:** It is recommended that your battery packs be recharged after use to prolong the battery pack life. Frequent charging will not harm your battery pack, and will ensure that the battery pack is fully charged and ready for its next use. Storing battery pack not fully charged will shorten its life.

## Carrying the Mower (Fig. A)

**⚠ DANGER: Rotating blades can cause serious injury. To prevent serious injury, remove safety key and battery pack when unattended, or when charging, cleaning, servicing, transporting, lifting, or storing mower.**

The mower can be carried using the convenient carry handle **12**. DO NOT attempt to lift the mower by grasping the main handle **4**.

## Storage (Fig. C, D)

**⚠ DANGER: Rotating blade can cause serious injury. Release bail handle to turn mower off, remove safety key, and remove battery packs before lifting, transporting, or storing the mower. Store in a dry place.**

**⚠ CAUTION: Pinch point. To avoid being pinched, keep fingers away from area around handle brackets when folding down handles.**


The handle of the mower can be easily folded down for quick and convenient storage.

1. Open the handle lock levers **16** securing the upper handle.
2. Rotate the upper handle towards the front of the mower.
3. Open the handle height adjust levers **15**.
4. Rotate the lower handle to the storage position.
5. Close the handle height adjust levers **15**, securing the lower handle into the storage position.




## MAINTENANCE


Your power tool has been designed to operate over a long period of time with a minimum of maintenance. Continuous satisfactory operation depends upon proper tool care and regular cleaning.

 **WARNING:** To reduce the risk of serious personal injury, turn tool off and disconnect battery pack before making any adjustments or removing/installing attachments or accessories. An accidental start-up can cause injury.

The charger and battery pack are not serviceable.


### Removing and Installing Blade (Fig. L)

 **DANGER: RISK OF INJURY.** WHEN REASSEMBLING THE BLADE SYSTEM, ENSURE EACH PART IS REINSTALLED CORRECTLY, AS DESCRIBED BELOW. IMPROPER ASSEMBLY OF THE BLADE OR OTHER PARTS OF THE BLADE SYSTEM MAY CAUSE SERIOUS INJURY.

 **DANGER:** To reduce the risk of serious personal injury, turn unit off, remove safety key and battery packs before making any adjustments or removing/installing attachments or accessories. An accidental start-up can cause injury.

**NOTE:** Only use STANLEY FATMAX approved blades and accessories. Use STANLEY FATMAX replacement blade Model No. DWO1DT233.

1. Cut a piece of 2" x 4" wood **25** (about 2 feet long) (610 mm) to keep blade from turning when removing the flange nut **27**.

 **WARNING:** Use gloves and proper eye protection. Turn the mower on its side. Be careful of sharp edges of blade.


2. Position wood and unscrew flange nut counterclockwise with a 18 mm wrench **26** as shown in Fig. L.
3. Remove square metal blade spacer **30**, square plastic blade insulator **28** and blade **29** as shown in Fig. L. The blade fan **31** should not be removed. Examine all pieces for damage and replace if necessary.
4. Install sharpened or new blade on shoulder of the blade fan as shown in Fig. L

**NOTE:** When replacing sharpened or new blade on shoulder of blade fan, make sure the "GRASS SIDE" on the blade will be facing the ground when the mower is returned to its normal upright position.

5. Install the plastic blade insulator **28** on the blade such that the raised lips on one side engage the edges of the blade.
6. Install the blade spacer **30** so that it sits inside the raised lips on the other side of the blade insulator. Be sure to align the flats in the hole of the blade spacer with the flats of the shaft, rotating the blade and blade insulator together as necessary.
7. Position piece of wood to keep blade from turning as shown in Fig. L. Install flange nut **27** with the flange against the blade spacer **30** and securely tighten the blade **29** with a 18 mm wrench **26**.

## Blade Sharpening

KEEP BLADE SHARP FOR BEST MOWER PERFORMANCE. A DULL BLADE DOES NOT CUT GRASS CLEANLY.

 **WARNING:** Use gloves and proper eye protection while removing, sharpening, and installing blade. Ensure that safety key and battery pack are removed.

Sharpening the blade twice during a mowing season is usually sufficient under normal circumstances. Sand causes the blade to dull quickly. If your lawn has sandy soil, more frequent sharpening may be required. **REPLACE BENT OR DAMAGED BLADE IMMEDIATELY.**

### When Sharpening the Blade:

- Make sure blade remains balanced.
- Sharpen blade at the original cutting angle.
- Sharpen cutting edges on both ends of blade, removing equal amounts of material from both ends.

### To Sharpen Blade in a Vise (Fig. M)

1. Be sure the bail handle is released, the blade has stopped and safety key and battery packs are removed before removing the blade.
2. Remove blade from mower. See instructions for **Removing and Installing Blade**.
3. Secure blade **29** in a vise **32**.
4. Wear proper eye protection and gloves and be careful not to cut yourself.
5. Carefully file the cutting edges of the blade with a fine tooth file **34** (not included) or sharpening stone (not included), maintaining the angle of the original cutting edge.
6. Check balance of blade. See instructions for **Blade Balancing**.
7. Replace blade on mower and tighten securely.

## Blade Balancing (Fig. N)

Check balance of the blade **29** by placing center hole in the blade over a nail or round screwdriver **33**, clamped horizontally in a vise **32**. If either end of the blade rotates downward, file along the sharp edge of that dropping end. Blade is properly balanced when neither end drops.




## Lubrication

Your power tool requires no additional lubrication.



## Cleaning

 **WARNING:** Blow dirt and dust out of the main housing with dry air as often as dirt is seen collecting in and around the air vents. Wear approved eye protection and approved dust mask when performing this procedure.

 **WARNING:** Never use solvents or other harsh chemicals for cleaning the non-metallic parts of the tool. These chemicals may weaken the materials used in these parts.

*Use a cloth dampened only with water and mild soap.  
Never let any liquid get inside the tool; never immerse any  
part of the tool into a liquid.*

Release bail handle **6** to turn mower off, let the blade come to a stop and then remove the battery packs and safety key. Clean out any clippings which may have accumulated on the underside of the deck. Do not spray water or other liquids. After several uses, check all exposed fasteners for tightness.

## Optional Accessories




**WARNING:** *Since accessories, other than those offered by STANLEY FATMAX, have not been tested with this product, use of such accessories with this tool could be hazardous. To reduce the risk of injury, only STANLEY FATMAX recommended accessories should be used with this product.*

Consult your dealer for further information on the appropriate accessories.

## Protecting the Environment



Separate collection. Products and batteries marked with this symbol must not be disposed of with normal household waste.

 Products and batteries contain materials that can be recovered or recycled reducing the demand for raw materials. Please recycle electrical products and batteries according to local provisions. Further information is available at [www.2helpU.com](http://www.2helpU.com).

## Rechargeable Battery Pack

This long life battery pack must be recharged when it fails to produce sufficient power on jobs which were easily done before. At the end of its technical life, discard it with due care for our environment:

- Run the battery pack down completely, then remove it from the tool.
- Li-Ion cells are recyclable. Take them to your dealer or a local recycling station. The collected battery packs will be recycled or disposed of properly.

---

**United Kingdom**  
Stanley Fat Max  
210 Bath Road  
Slough, Berkshire SL1 3YD

Tel. 01753 511234  
Fax 01753 572112  
[www.stanleytools.co.uk](http://www.stanleytools.co.uk)