

DEWALT®

www.DEWALT.com

DWS713

ENGLISH

English (**original instructions**)

5

Русский (*перевод с оригинала инструкции*)

13

Türkçe (*orijinal talimatlardan çevrilmiştir*)

24

Англійська (*оригінальні інструкції*)

34

Fig. A

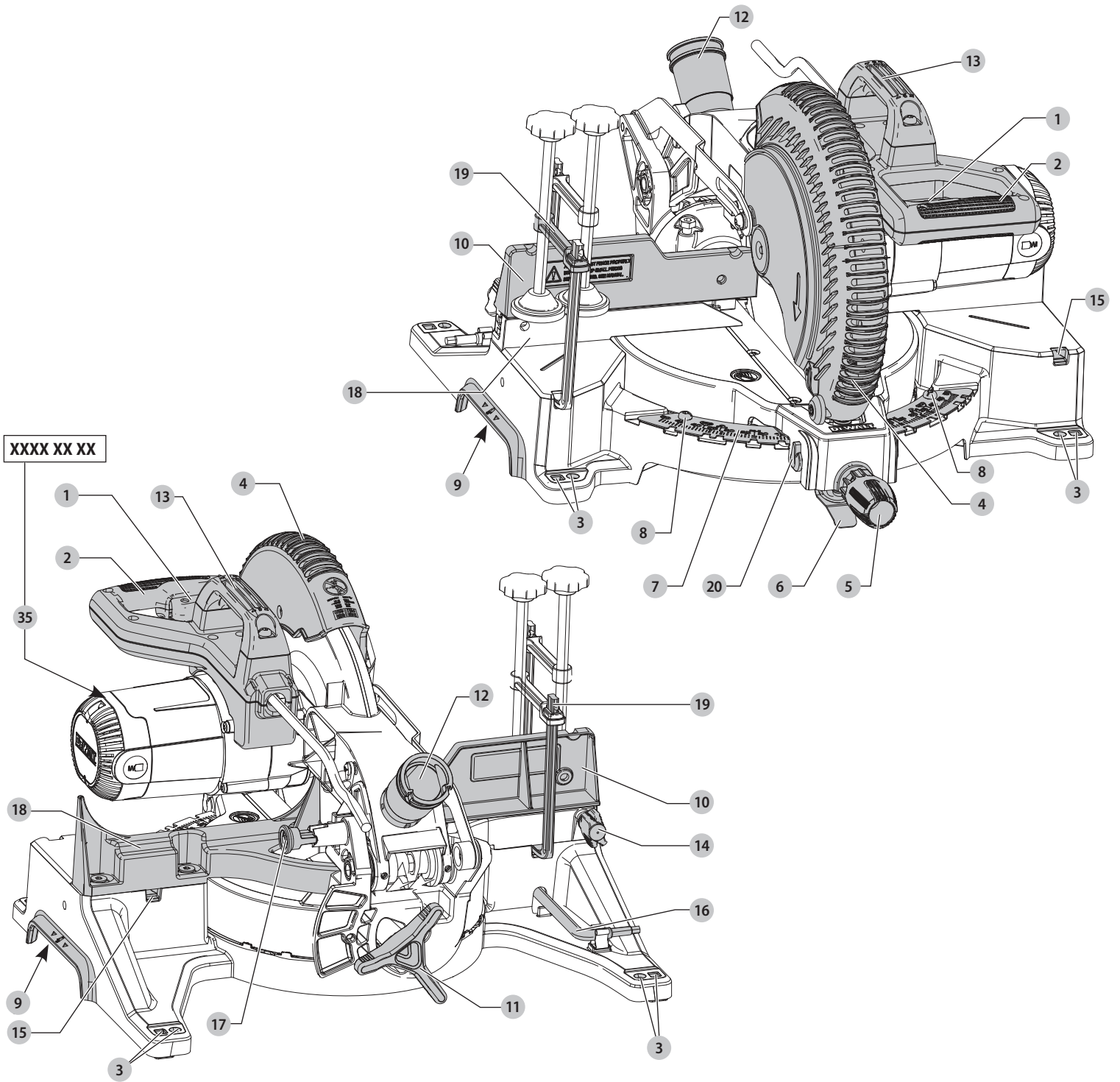


Fig. B

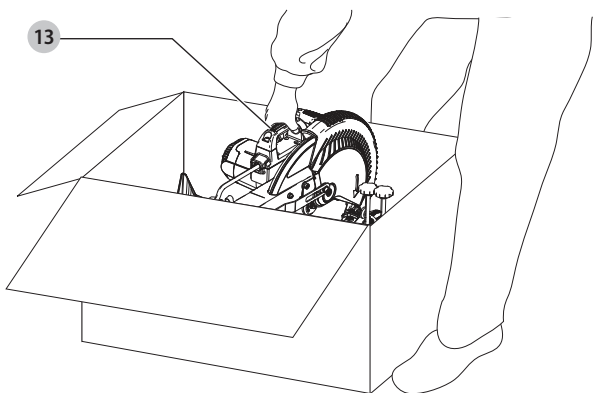


Fig. C

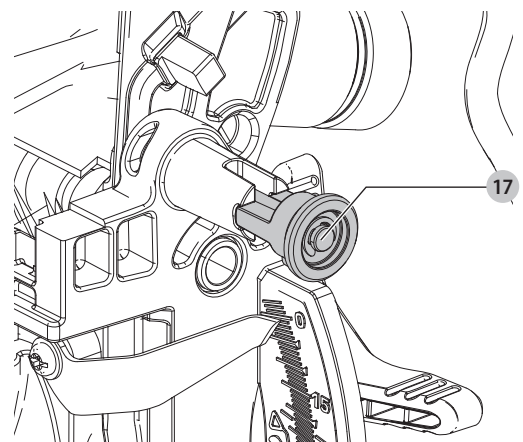


Fig. D

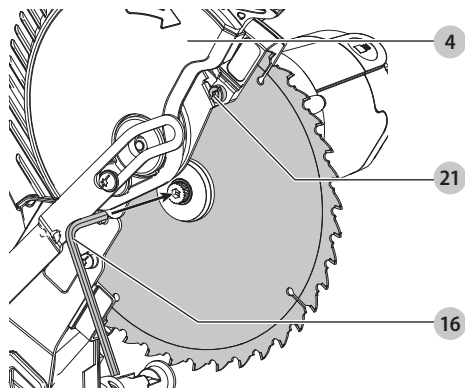


Fig. E

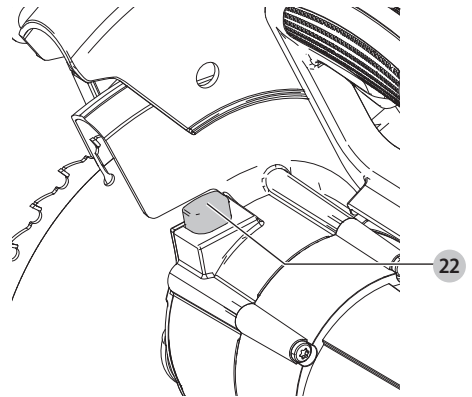


Fig. F

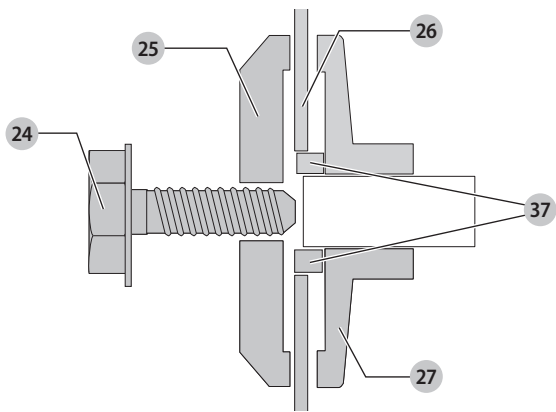


Fig. G

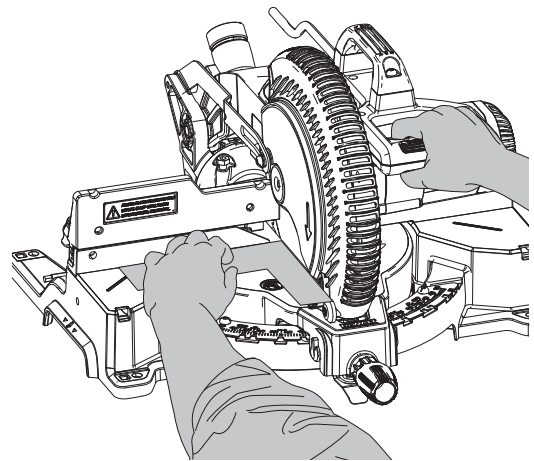


Fig. H

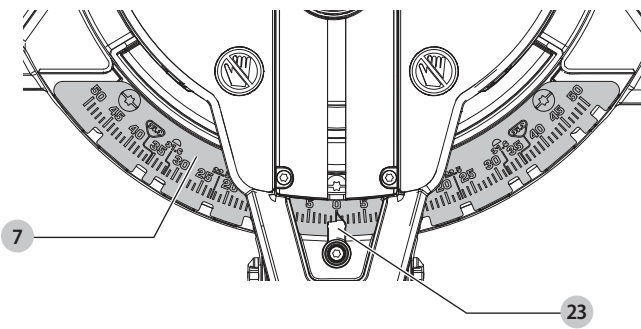


Fig. I

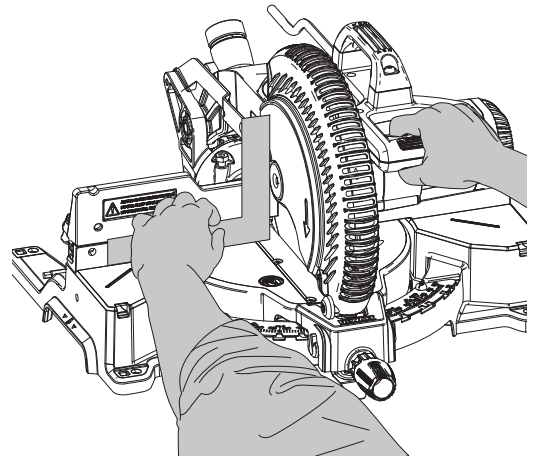


Fig. J

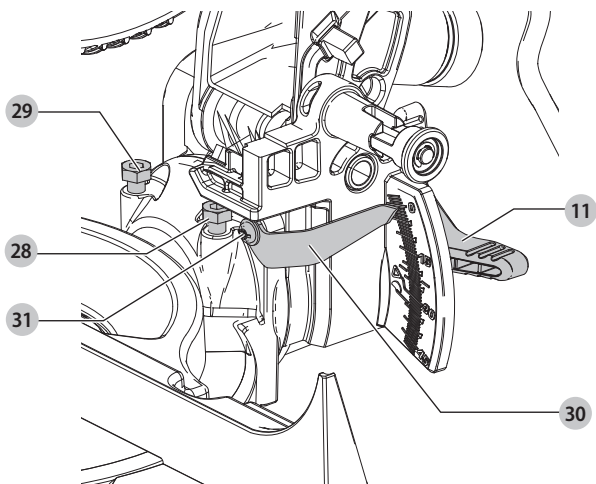


Fig. K

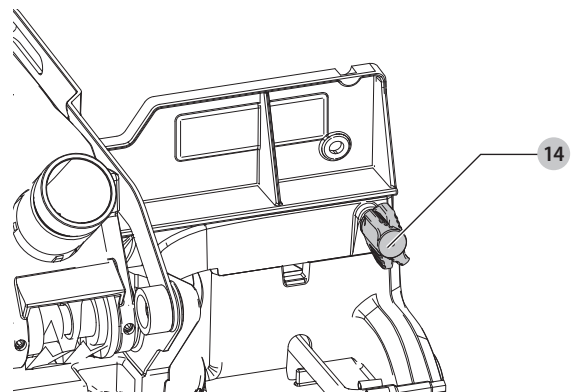


Fig. L

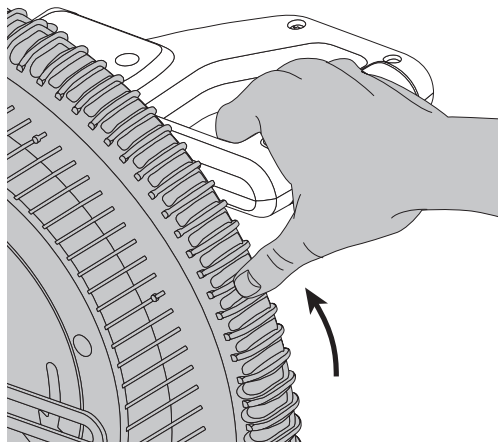


Fig. M1, M2

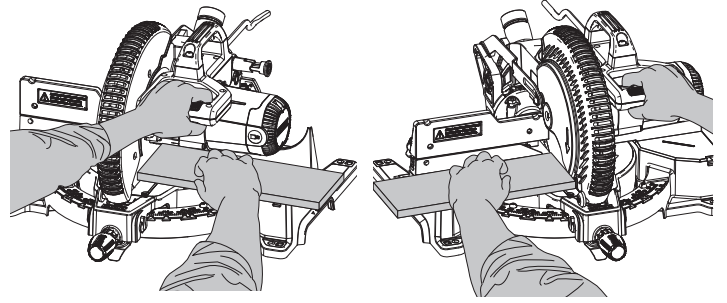


Fig. M3, M4

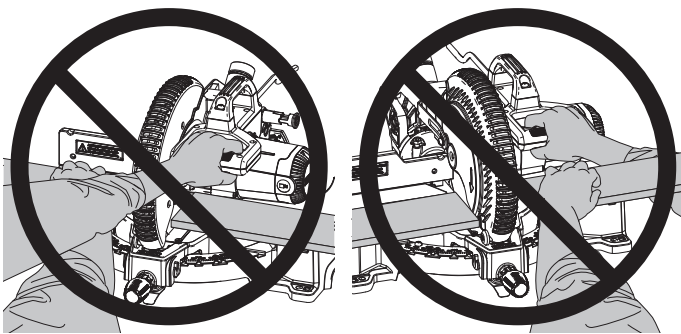


Fig. N

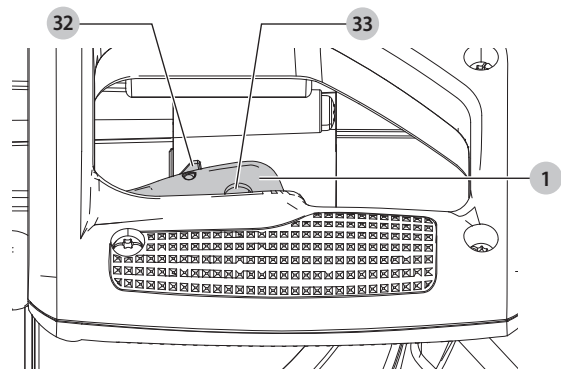


Fig. O

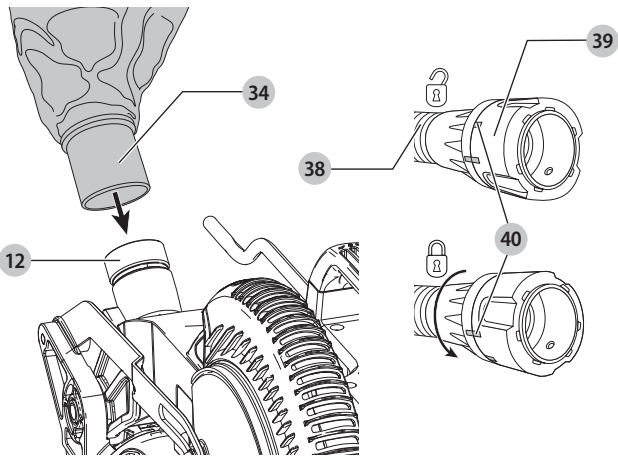


Fig. P

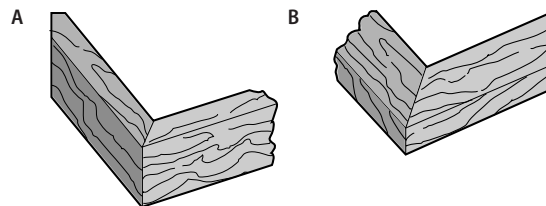


Fig. Q

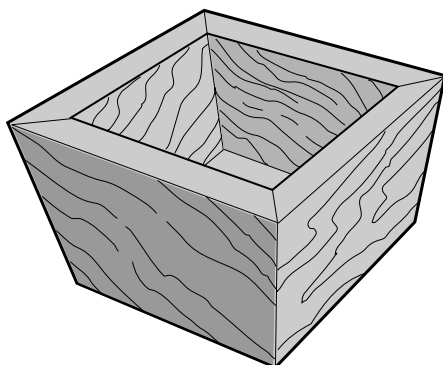


Fig. R

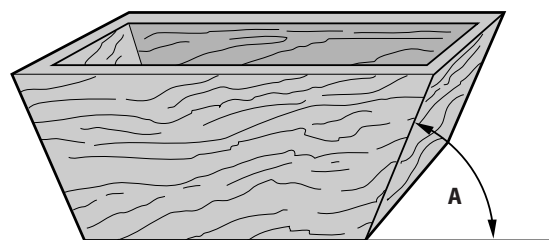


Fig. S

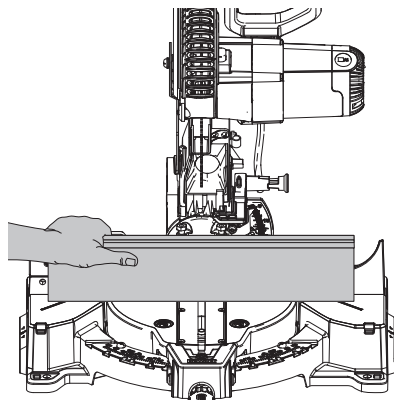


Fig. T

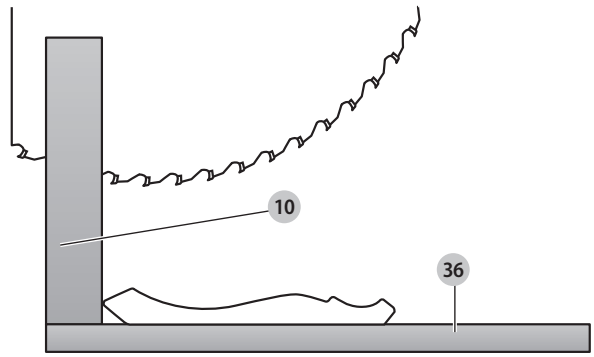


Fig. U

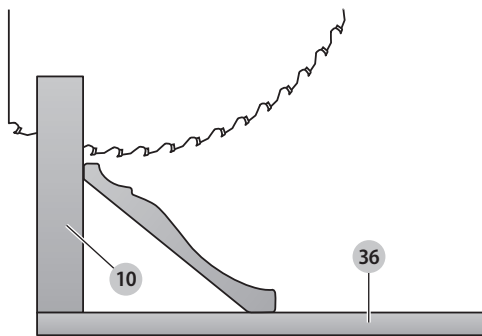


Fig. V

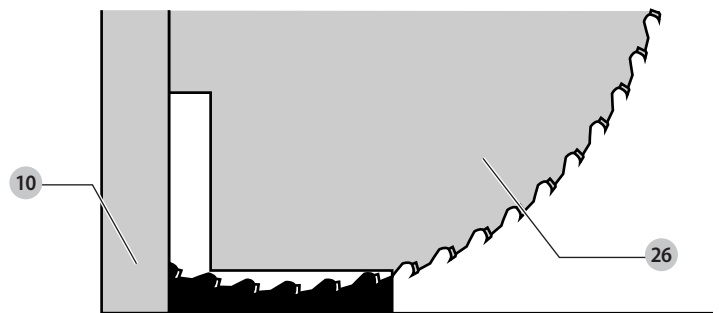


Fig. W

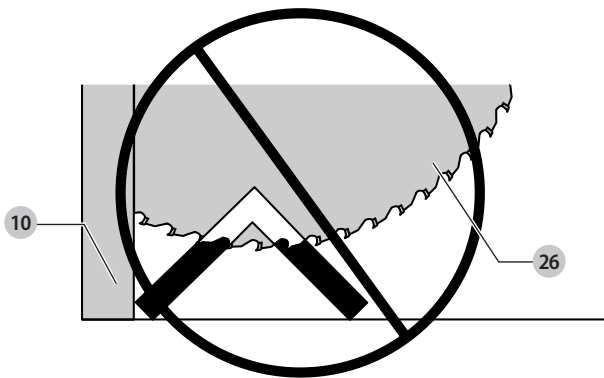


Fig. X

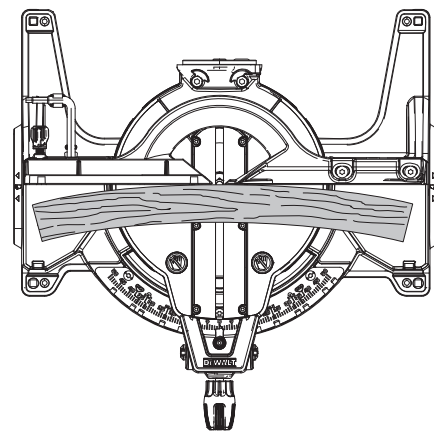
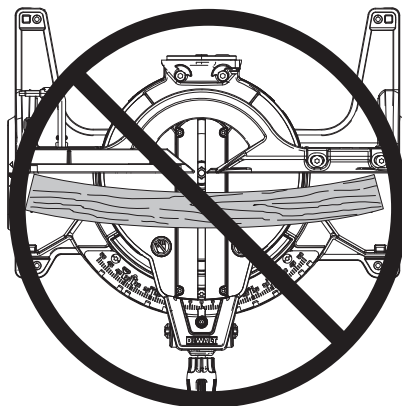


Fig. Y



254 mm COMPOUND MITRE SAW

DWS713

Congratulations!

You have chosen a DEWALT tool. Years of experience, thorough product development and innovation make DEWALT one of the most reliable partners for professional power tool users.

Technical Data

		DWS713
Voltage	V	230
Type		20
Power input	W	1600
Blade diameter	mm	254
Max. blade speed	min ⁻¹	5000
Max. cross-cut capacity 90°	mm	155
Max. mitre capacity 45°	mm	107
Max. depth of cut 90°	mm	89
Max. depth of bevel cross-cut 45°	mm	58
Baseboard vertically against fence		
Max. Height	mm	108
Max. Width	mm	16
Mitre (max. positions)		
	left	50°
	right	50°
Bevel (max. positions)		
	left	48°
	right	3°
0° mitre		
Resulting width at max. height 89 mm	mm	89
Resulting height at max. width 155 mm	mm	32
45° mitre		
Resulting width at max. height 89 mm	mm	61
Resulting height at max. width 107 mm	mm	32
45° bevel		
Resulting width at max. height 58 mm	mm	89
Resulting height at max. width 155 mm	mm	19
31.6° mitre, 33.9° bevel		
Resulting height at max. width 133 mm	mm	23
Automatic blade brake time	s	< 10.0
Weight	kg	14



WARNING: To reduce the risk of injury, read the instruction manual.

Definitions: Safety Guidelines

The definitions below describe the level of severity for each signal word. Please read the manual and pay attention to these symbols.



DANGER: Indicates an imminently hazardous situation which, if not avoided, **will** result in **death or serious injury**.



WARNING: Indicates a potentially hazardous situation which, if not avoided, **could** result in **death or serious injury**.



CAUTION: Indicates a potentially hazardous situation which, if not avoided, **may** result in **minor or moderate injury**.

NOTICE: Indicates a practice **not related to personal injury** which, if not avoided, **may** result in **property damage**.



Denotes risk of electric shock.



Denotes risk of fire.

GENERAL POWER TOOL SAFETY WARNINGS



WARNING: Read all safety warnings, instructions, illustrations and specifications provided with this power tool. Failure to follow all instructions listed below may result in electric shock, fire and/or serious injury.

SAVE ALL WARNINGS AND INSTRUCTIONS FOR FUTURE REFERENCE

The term "power tool" in the warnings refers to your mains-operated (corded) power tool or battery-operated (cordless) power tool.

1) Work Area Safety

- Keep work area clean and well lit. Cluttered or dark areas invite accidents.
- Do not operate power tools in explosive atmospheres, such as in the presence of flammable liquids, gases or dust. Power tools create sparks which may ignite the dust or fumes.
- Keep children and bystanders away while operating a power tool. Distractions can cause you to lose control.

2) Electrical Safety

- Power tool plugs must match the outlet. Never modify the plug in any way. Do not use any adapter plugs with earthed (grounded) power tools. Unmodified plugs and matching outlets will reduce risk of electric shock.
- Avoid body contact with earthed or grounded surfaces, such as pipes, radiators, ranges and refrigerators. There is an increased risk of electric shock if your body is earthed or grounded.
- Do not expose power tools to rain or wet conditions. Water entering a power tool will increase the risk of electric shock.
- Do not abuse the cord. Never use the cord for carrying, pulling or unplugging the power tool. Keep cord away from heat, oil, sharp edges or moving parts. Damaged or entangled cords increase the risk of electric shock.
- When operating a power tool outdoors, use an extension cord suitable for outdoor use. Use of a cord suitable for outdoor use reduces the risk of electric shock.
- If operating a power tool in a damp location is unavoidable, use a residual current device (RCD) protected supply. Use of an RCD reduces the risk of electric shock.

3) Personal Safety

- Stay alert, watch what you are doing and use common sense when operating a power tool. Do not use a power tool while you are tired or under the influence of drugs, alcohol or medication. A moment of inattention while operating power tools may result in serious personal injury.
- Use personal protective equipment. Always wear eye protection. Protective equipment such as a dust mask, non-skid safety shoes, hard hat or hearing protection used for appropriate conditions will reduce personal injuries.
- Prevent unintentional starting. Ensure the switch is in the off-position before connecting to power source and/or battery pack, picking up or carrying the tool. Carrying power tools with your finger on the switch or energising power tools that have the switch on invites accidents.
- Remove any adjusting key or wrench before turning the power tool on. A wrench or a key left attached to a rotating part of the power tool may result in personal injury.
- Do not overreach. Keep proper footing and balance at all times. This enables better control of the power tool in unexpected situations.
- Dress properly. Do not wear loose clothing or jewellery. Keep your hair and clothing away from moving parts. Loose clothes, jewellery or long hair can be caught in moving parts.
- If devices are provided for the connection of dust extraction and collection facilities, ensure these are connected and properly used. Use of dust collection can reduce dust-related hazards.
- Do not let familiarity gained from frequent use of tools allow you to become complacent and ignore tool safety principles. A careless action can cause severe injury within a fraction of a second.

4) Power Tool Use and Care

- Do not force the power tool. Use the correct power tool for your application. The correct power tool will do the job better and safer at the rate for which it was designed.
- Do not use the power tool if the switch does not turn it on and off. Any power tool that cannot be controlled with the switch is dangerous and must be repaired.
- Disconnect the plug from the power source and/or remove the battery pack, if detachable, from the power tool before making any adjustments, changing accessories, or storing power tools. Such preventive safety measures reduce the risk of starting the power tool accidentally.
- Store idle power tools out of the reach of children and do not allow persons unfamiliar with the power tool or these instructions to operate the power tool. Power tools are dangerous in the hands of untrained users.
- Maintain power tools and accessories. Check for misalignment or binding of moving parts, breakage of parts and any other condition that may affect the power tool's operation. If damaged, have the power tool repaired before use. Many accidents are caused by poorly maintained power tools.
- Keep cutting tools sharp and clean. Properly maintained cutting tools with sharp cutting edges are less likely to bind and are easier to control.
- Use the power tool, accessories and tool bits etc. in accordance with these instructions, taking into account the working conditions and the work to be performed. Use of the power tool for operations different from those intended could result in a hazardous situation.
- Keep handles and grasping surfaces dry, clean and free from oil and grease. Slippery handles and grasping surfaces do not allow for safe handling and control of the tool in unexpected situations.


5) Service

- Have your power tool serviced by a qualified repair person using only identical replacement parts. This will ensure that the safety of the power tool is maintained.


Safety Instructions for Mitre Saws


- a) **Mitre saws are intended to cut wood or wood-like products, they cannot be used with abrasive cut-off wheels for cutting ferrous material such as bars, rods, studs, etc.** Abrasive dust causes moving parts such as the lower guard to jam. Sparks from abrasive cutting will burn the lower guard, the kerf insert and other plastic parts.
- b) **Use clamps to support the workpiece whenever possible. If supporting the workpiece by hand, you must always keep your hand at least 100 mm from either side of the saw blade. Do not use this saw to cut pieces that are too small to be securely clamped or held by hand.** If your hand is placed too close to the saw blade, there is an increased risk of injury from blade contact.
- c) **The workpiece must be stationary and clamped or held against both the fence and the table. Do not feed the workpiece into the blade or cut "freehand" in any way.** Unrestrained or moving workpieces could be thrown at high speeds, causing injury.
- d) **Push the saw through the workpiece. Do not pull the saw through the workpiece. To make a cut, raise the saw head and pull it out over the workpiece without cutting, start the motor, press the saw head down and push the saw through the workpiece.** Cutting on the pull stroke is likely to cause the saw blade to climb on top of the workpiece and violently throw the blade assembly towards the operator.
- e) **Never cross your hand over the intended line of cutting either in front or behind the saw blade.** Supporting the workpiece "cross handed" i.e. holding the workpiece to the right of the saw blade with your left hand or vice versa is very dangerous.
- f) **Do not reach behind the fence with either hand closer than 100 mm from either side of the saw blade, to remove wood scraps, or for any other reason while the blade is spinning.** The proximity of the spinning saw blade to your hand may not be obvious and you may be seriously injured.
- g) **Inspect your workpiece before cutting. If the workpiece is bowed or warped, clamp it with the outside bowed face toward the fence. Always make certain that there is no gap between the workpiece, fence and table along the line of the cut.** Bent or warped workpieces can twist or shift and may cause binding on the spinning saw blade while cutting. There should be no nails or foreign objects in the workpiece.
- h) **Do not use the saw until the table is clear of all tools, wood scraps, etc., except for the workpiece.** Small debris or loose pieces of wood or other objects that contact the revolving blade can be thrown with high speed.
- i) **Cut only one workpiece at a time.** Stacked multiple workpieces cannot be adequately clamped or braced and may bind on the blade or shift during cutting.
- j) **Ensure the mitre saw is mounted or placed on a level, firm work surface before use.** A level and firm work surface reduces the risk of the mitre saw becoming unstable.
- k) **Plan your work. Every time you change the bevel or mitre angle setting, make sure the adjustable fence is set correctly to support the workpiece and will not interfere with the blade or the guarding system.** Without turning the tool "ON" and with no workpiece on the table, move the saw blade through a complete simulated cut to assure there will be no interference or danger of cutting the fence.
- l) **Provide adequate support such as table extensions, saw horses, etc. for a workpiece that is wider or longer than the table top.** Workpieces longer or wider than the mitre saw table can tip if not securely supported. If the cut-off piece or workpiece tips, it can lift the lower guard or be thrown by the spinning blade.
- m) **Do not use another person as a substitute for a table extension or as additional support.** Unstable support for the workpiece can cause the blade to bind or the workpiece to shift during the cutting operation pulling you and the helper into the spinning blade.
- n) **The cut-off piece must not be jammed or pressed by any means against the spinning saw blade.** If confined, i.e. using length stops, the cut-off piece could get wedged against the blade and thrown violently.
- o) **Always use a clamp or a fixture designed to properly support round material such as rods or tubing.** Rods have a tendency to roll while being cut, causing the blade to "bite" and pull the work with your hand into the blade.
- p) **Let the blade reach full speed before contacting the workpiece.** This will reduce the risk of the workpiece being thrown.
- q) **If the workpiece or blade becomes jammed, turn the mitre saw off. Wait for all moving parts to stop and disconnect the plug from the power source and/or remove the battery pack. Then work to free the jammed material.** Continued sawing with a jammed workpiece could cause loss of control or damage to the mitre saw.
- r) **After finishing the cut, release the switch, hold the saw head down and wait for the blade to stop before removing the cut-off piece.** Reaching with your hand near the coasting blade is dangerous.
- s) **Hold the handle firmly when making an incomplete cut or when releasing the switch before the saw head is completely in the down position.** The braking action of the saw may cause the saw head to be suddenly pulled downward, causing a risk of injury.

Additional Safety Rules for Mitre Saws


-  **WARNING:** Do not connect to the mains power supply into the unit until complete instructions are read and understood.
- **DO NOT OPERATE THIS MACHINE** until it is completely assembled and installed according to the instructions. A machine incorrectly assembled can cause serious injury.
- **OBTAIN ADVICE** from your supervisor, instructor, or another qualified person if you are not thoroughly familiar with the operation of this machine. Knowledge is safety.
- **MAKE CERTAIN** the blade rotates in the correct direction. The teeth on the blade should point in the direction of rotation as marked on the saw.


- **TIGHTEN ALL CLAMP HANDLES**, knobs and levers prior to operation. Loose clamps can cause parts or the workpiece to be thrown at high speeds.
- **BE SURE** all blade and blade clamps are clean, recessed sides of blade clamps are against blade and arbour screw is tightened securely. Loose or improper blade clamping may result in damage to the saw and possible personal injury.
- **DO NOT OPERATE ON ANYTHING OTHER THAN THE DESIGNATED VOLTAGE** for the saw. Overheating, damage to the tool and personal injury may occur.
- **DO NOT WEDGE ANYTHING AGAINST THE FAN** to hold the motor shaft. Damage to tool and possible personal injury may occur.
- **NEVER CUT METALS OR MASONRY.** Either of these can cause the carbide tips to fly off the blade at high speeds causing serious injury.
- **NEVER HAVE ANY PART OF YOUR BODY IN LINE WITH THE PATH OF THE SAW BLADE.** Personal injury will occur.
- **NEVER APPLY BLADE LUBRICANT TO A RUNNING BLADE.** Applying lubricant could cause your hand to move into the blade resulting in serious injury.
- **DO NOT** place either hand in the blade area when the saw is connected to the power source. Inadvertent blade activation may result in serious injury.
- **NEVER REACH AROUND OR BEHIND THE SAW BLADE.** A blade can cause serious injury.
- **DO NOT REACH UNDERNEATH THE SAW** unless it is unplugged and turned off. Contact with saw blade may cause personal injury.
- **SECURE THE MACHINE TO A STABLE SUPPORTING SURFACE.** Vibration can possibly cause the machine to slide, walk, or tip over, causing serious injury.
- **USE ONLY CROSSCUT SAW BLADES** recommended for mitre saws. For best results, do not use carbide tipped blades with hook angles in excess of 7 degrees. Do not use blades with deep gullets. These can deflect and contact the guard, and can cause damage to the machine and/or serious injury.
- **USE ONLY BLADES OF THE CORRECT SIZE AND TYPE** specified for this tool to prevent damage to the machine and/or serious injury (complying with EN847-1).
- **INSPECT BLADE FOR CRACKS** or other damage prior to operation. A cracked or damaged blade can come apart and pieces can be thrown at high speeds, causing serious injury. Replace cracked or damaged blades immediately. Observe the maximum speed marked on the saw blade.
- **CLEAN THE BLADE AND BLADE CLAMPS** prior to operation. Cleaning the blade and blade clamps allows you to check for any damage to the blade or blade clamps. A cracked or damaged blade or blade clamp can come apart and pieces can be thrown at high speeds, causing serious injury.
- **DO NOT USE WARPED BLADES.** Check to see if the blade runs true and is free from vibration. A vibrating blade can cause damage to the machine and/or serious injury.
- **DO NOT** use lubricants or cleaners (particularly spray or aerosol) in the vicinity of the plastic guard. The polycarbonate material used in the guard is subject to attack by certain chemicals.
- **KEEP GUARD IN PLACE** and in working order.
- **ALWAYS USE THE KERF PLATE AND REPLACE THIS PLATE WHEN DAMAGED.** Small chip accumulation under the saw may interfere with the saw blade or may cause instability of workpiece when cutting.
- **USE ONLY BLADE CLAMPS SPECIFIED FOR THIS TOOL** to prevent damage to the machine and/or serious injury.
- **MAKE SURE** to use the correct saw blade for the material to be cut.
- **CLEAN THE MOTOR AIR SLOTS** of chips and sawdust. Clogged motor air slots can cause the machine to overheat, damaging the machine and possibly causing a short which could cause serious injury.
- **NEVER LOCK THE SWITCH IN THE "ON" POSITION.** Severe personal injury may result.
- **NEVER STAND ON TOOL.** Serious injury could occur if the tool is tipped or if the cutting tool is unintentionally contacted.


 **WARNING:** Cutting plastics, sap coated wood, and other materials may cause melted material to accumulate on the blade tips and the body of the saw blade, increasing the risk of blade overheating and binding while cutting.

 **WARNING:** Always wear proper personal hearing protection. Under some conditions and duration of use, noise from this product may contribute to hearing loss. Be aware of the following factors influencing exposure to noise:

- Use saw blades designed to reduce the emitted noise,
- Use only well sharpened saw blades, and
- Use specifically designed noise-reduction saw blades.

 **WARNING:** ALWAYS use safety glasses. Everyday eyeglasses are NOT safety glasses. Also use face or dust mask if cutting operation is dusty.

 **WARNING:** Use of this tool can generate and/or disperse dust, which may cause serious and permanent respiratory or other injury.

 **WARNING:** Some dust created by power sanding, sawing, grinding, drilling, and other construction activities contains chemicals known to cause cancer, birth defects or other reproductive harm. Some examples of these chemicals are:

- lead from lead-based paints,
- crystalline silica from bricks and cement and other masonry products, and
- arsenic and chromium from chemically-treated lumber.

Your risk from these exposures varies, depending on how often you do this type of work. To reduce your exposure to these chemicals: work in a well ventilated area, and work with approved safety equipment, such as those dust masks that are specially designed to filter out microscopic particles.

- **Avoid prolonged contact with dust from power sanding, sawing, grinding, drilling, and other construction activities.** Wear protective clothing and wash exposed areas with

soap and water. Allowing dust to get into your mouth, eyes, or lay on the skin may promote absorption of harmful chemicals.

WARNING: Use of this tool can generate and/or disperse dust, which may cause serious and permanent respiratory or other injury. Always use approved respiratory protection appropriate for the dust exposure.

Residual Risks

The following risks are inherent to the use of saws:

- Injuries caused by touching the rotating parts.

In spite of the application of the relevant safety regulations and the implementation of safety devices, certain residual risks cannot be avoided. These are:

- Impairment of hearing.
- Risk of accidents caused by the uncovered parts of the rotating saw blade.
- Risk of injury when changing the blade.
- Risk of squeezing fingers when opening the guards.
- Health hazards caused by breathing dust developed when sawing wood, especially oak, beech and MDF.

The following factors increase the risk of breathing problems:

- No dust extractor connected when sawing wood.
- Insufficient dust extraction caused by uncleaned exhaust filters.

Electrical Safety

The electric motor has been designed for one voltage only. Always check that the power supply corresponds to the voltage on the rating plate.



Your DEWALT tool is double insulated in accordance with EN62841; therefore no earth wire is required.

If the supply cord is damaged, it must be replaced only by DEWALT or an authorised service organisation.

Mains Plug Replacement (U.K. & Ireland Only)

If a new mains plug needs to be fitted:

- Safely dispose of the old plug.
- Connect the brown lead to the live terminal in the plug.
- Connect the blue lead to the neutral terminal.



WARNING: No connection is to be made to the earth terminal.

Follow the fitting instructions supplied with good quality plugs. Recommended fuse: 13 A.

Using an Extension Cable

If an extension cable is required, use an approved 3-core extension cable suitable for the power input of this tool (see **Technical Data**). The minimum conductor size is 1.5 mm²; the maximum length is 30 m.

When using a cable reel, always unwind the cable completely.

Package Contents

The package contains:

- 1 Mitre saw
- 1 6 mm hex wrench
- 1 Saw blade
- 1 Dustbag
- 1 Material clamp
- 1 Instruction manual
- Check for damage to the tool, parts or accessories which may have occurred during transport.
- Take the time to thoroughly read and understand this manual prior to operation.

Markings on Tool

The following pictograms are shown on the tool:



Read instruction manual before use.



Wear ear protection.



Wear eye protection.



Keep hands away from blade.



Visible radiation. Do not stare into light.

Date Code Position (Fig. A)

The date code **35**, which also includes the year of manufacture, is printed into the housing. Example:

2019 XX XX
Year of Manufacture

Description (Fig. A)



WARNING: Never modify the power tool or any part of it. Damage or personal injury could result.

- | | | |
|----------------------|----------------------|----------------------------|
| 1 Trigger switch | 8 Mitre scale screws | 15 Clamp mounting holes |
| 2 Operating handle | 9 Hand indentations | 16 6 mm hex wrench |
| 3 Mounting holes | 10 Sliding fence | 17 Head lock knob |
| 4 Lower guard | 11 Bevel lock knob | 18 Base fence |
| 5 Mitre lock knob | 12 Dust port | 19 Vertical material clamp |
| 6 Mitre detent latch | 13 Carrying handle | 20 Mitre detent override |
| 7 Mitre scale | 14 Fence lock knob | |

Intended Use

Your DEWALT DWS713 compound mitre saw has been designed for professional wood cutting applications. When using the appropriate saw blades, sawing aluminium profiles and plastic is also possible.

DO NOT use under wet conditions or in the presence of flammable liquids or gases.

This mitre saw is a professional power tool.

DO NOT let children come into contact with the tool. Supervision is required when inexperienced operators use this tool.

- **Young children and the infirm.** This appliance is not intended for use by young children or infirm persons without supervision.
- This product is not intended for use by persons (including children) suffering from diminished physical, sensory or mental abilities; lack of experience, knowledge or skills unless they are supervised by a person responsible for their safety. Children should never be left alone with this product.

Specifications

Drive

230 Volt motor

1600 Watts

5000 RPM

Cut helical gears with roller and ball bearings

Carbide tooth blade

Automatic electric brake

Familiarization (Fig. A, B)

Your mitre saw is fully assembled in the carton. Open the box and lift the saw out by the convenient carrying handle **13**, as shown in Figure B.

Place the saw on a smooth, flat surface such as a workbench or strong table.

Examine Figure A to become familiar with the saw and its various parts. The section on adjustments will refer to these terms and you must know what and where the parts are.



CAUTION: Pinch Hazard. To reduce the risk of injury, keep thumb underneath the handle when pulling the handle down. The lower guard will move up as the handle is pulled down which could cause pinching. The handle is placed close to the guard for special cuts.

Press down lightly on the operating handle **2** and loosen the head lock knob **17**. Gently release the downward pressure and allow the arm to rise to its full height. Use the lock down pin when carrying the saw from one place to another. Always use the carrying handle **13** to transport the saw or the hand indentations **9** shown in Figure A.

Bench Mounting (Fig. A)

Mounting holes **3** are provided in all four feet to facilitate bench mounting, as shown in Figure A. (Two different sized holes are provided to accommodate different sizes of screws. Use either hole, it is not necessary to use both.) Always mount your saw firmly to prevent movement. To enhance the tool's portability, it can be mounted to a piece of 12.7 mm or thicker plywood which can then be clamped to your work support or moved to other job sites and reclamped.

NOTE: If you elect to mount your saw to a piece of plywood, make sure that the mounting screws don't protrude from the bottom of the wood. The plywood must sit flush on the work support. When clamping the saw to any work surface, clamp only on the clamping bosses where the mounting screw holes are located. Clamping at any other point will surely interfere with the proper operation of the saw.



CAUTION: To prevent binding and inaccuracy, be sure the mounting surface is not warped or otherwise uneven. If the saw rocks on the surface place a thin piece of material under one saw foot until the saw sits firmly on the mounting surface.

Transporting the Saw (Fig. A, C)



WARNING: To reduce the risk of serious personal injury, turn off the tool and disconnect it from the power source before attempting to move it, change accessories or make any adjustments.



WARNING: To reduce the risk of serious personal injury, ALWAYS lock the mitre lock knob, bevel lock handle, head lock knob, and fence adjustment knob before transporting saw.

In order to conveniently carry the mitre saw from place to place, a carrying handle **13** has been included on the top of the saw arm and hand indentations **9** in the base, as shown in

Figure A. To transport the saw, lower the arm and tighten the head lock knob **17** shown in Figure C.

ASSEMBLY AND ADJUSTMENTS

WARNING: To reduce the risk of serious personal injury, turn tool off and disconnect tool from power source before making any adjustments or removing/installing attachments or accessories. An accidental start-up can cause injury.

Changing or Installing a New Saw Blade (Fig. D–F)

WARNING: To reduce the risk of serious personal injury, turn off the tool and disconnect it from the power source before attempting to move it, change accessories or make any adjustments.

WARNING: When mounting the saw blade, wear protective gloves. Danger of injury when touching the saw blade.

CAUTION:

- Never depress the spindle lock button while the blade is under power or coasting.
- Do not cut ferrous metal (containing iron or steel) or masonry or fiber cement product with this mitre saw.

Removing the Blade

- Unplug the saw.
 - Raise the arm to the upper position and raise the lower guard **4** as far as possible.
 - Loosen, but do not remove guard bracket screw **21** until the bracket can be raised far enough to access the blade screw. Lower guard will remain raised due to the position of the guard bracket screw.
 - Depress the spindle lock button **22** while carefully rotating the saw blade by hand until the lock engages.
 - Keeping the button depressed, use the other hand and the 6 mm hex wrench **16** provided to loosen the blade screw **24**. (Turn clockwise, left-hand threads.)
 - Remove the blade screw **24**, outer blade clamp **25**, and blade **26**. The inner blade clamp **27**, and if used, the 25.4 mm blade adapter **37**, may be left on the spindle.
- NOTE:** For blades with a blade hole of 15.88 mm, the 25.4 mm blade adapter is not used.

Installing a Blade

- Unplug the saw.
- With the arm raised, the lower guard held open and the guard bracket, place the blade **26** on the spindle against the inner blade clamp **27** with the teeth at the bottom of the blade pointing toward the back of the saw.
- Assemble the outer blade clamp **25** onto the spindle.
- Install the blade screw **24** and, engaging the spindle lock, tighten the screw firmly with the 6 mm hex wrench provided. (Turn counterclockwise, left-hand threads.)
- Return the guard bracket to its original position and firmly tighten the guard bracket screw **21** to hold bracket in place.

WARNING:

- The guard bracket must be returned to its original position and the screw tightened before activating the saw.
- Failure to do so may allow the guard to contact the spinning saw blade resulting in damage to the saw and severe personal injury.

Mitre Scale Adjustment (Fig. A, G)

Place a square against the saw's fence and blade. (Do not touch the tips of the blade teeth with the square. To do so will cause an inaccurate measurement.) Unlock mitre lock knob **5** and swing the mitre arm until the mitre detent locks it at the 0° mitre position. Do not lock mitre lock knob. If the saw blade is not exactly perpendicular to the base fence **18**, loosen the three mitre scale screws **8** that hold the mitre scale **7** to the base and move the scale/mitre arm assembly left or right until the blade is perpendicular to the fence, as measured with the square. Retighten the three screws. Pay no attention to the reading of the mitre pointer at this point.

Mitre Pointer Adjustment (Fig. A, H)

Unlock mitre lock knob **5** and squeeze the mitre detent latch **6** to move the mitre arm to the zero position. Unlock the mitre lock knob to allow the mitre detent to snap into place as you rotate the mitre arm toward zero. Observe the pointer **23** and mitre scale **7** through the viewing opening shown in Figure H. If the pointer does not indicate exactly zero, loosen the pointer screw, adjust the pointer to 0° and retighten.

Bevel Square to Table (Fig. I, J)

To align the blade square to the rotary table, lock the arm in the down position. Place a square against the blade taking care to not have the square on top of a tooth. Loosen the bevel lock knob **11** so that you can move the bevel arm. Move the bevel arm as necessary so that the blade is at 0° bevel to the table. If the bevel arm needs adjustment, locate the right side bevel stop as shown in Figure J, and adjust the stop screw **28** as necessary.

Bevel Pointer (Fig. J)

If the bevel pointer **30** does not indicate zero, loosen the screw **31** that holds it in place and move the pointer as necessary.

SUGGESTION: For accuracy, set the top edge so that it aligns with zero.

Bevel Stop (Fig. A, J)

To set the 45° bevel stop, first loosen the left side fence lock knob **14** and slide the sliding fence **10** as far as it will go to the left. Move the arm to the left until it stops on the left side bevel stop screw **29**. If the bevel pointer does not indicate exactly 45°, turn the screw

downwards. Move the arm to the left and tighten the bevel lock knob **11** firmly when the bevel pointer indicates exactly 45°. Adjust the left side bevel stop screw **29** upwards until it firmly touches the bevel stop.

To achieve 3° right bevel or 48° left bevel, the stop screws must be adjusted to allow the arm to move to the desired location. The bevel stops will need readjustment to the zero and 45° positions after cuts are made.

Fence Adjustment (Fig. K)

WARNING: To reduce the risk of serious personal injury, turn off the tool and disconnect it from the power source before attempting to move it, change accessories or make any adjustments.

To bevel UP TO 48° left, the left side of the fence can be adjusted to the left to provide clearance. To adjust the fence, loosen the fence lock knob **14** and slide the fence to the left. Make a dry run with the saw turned off and check for clearance. Adjust the fence to be as close to the blade as practical to provide maximum workpiece support, without interfering with arm up and down movement. Tighten the fence clamping knob securely. When the bevel operations are complete, don't forget to relocate the fence to the right.

Guard Actuation and Visibility (Fig. L)

CAUTION: Pinch Hazard. To reduce the risk of injury, keep thumb underneath the handle when pulling the handle down. The lower guard will move up as the handle is pulled down which could cause pinching.

The blade guard on your saw has been designed to automatically raise when the arm is brought down and to lower over the blade when the arm is raised.

The guard can be raised by hand when installing or removing saw blades or for inspection of the saw. NEVER RAISE THE BLADE GUARD MANUALLY UNLESS THE SAW IS TURNED OFF.

NOTE: Certain special cuts will require that you manually raise the guard. Refer to **Cutting Large Material** under **Special Cuts**.

The front section of the guard is louvered for visibility while cutting. Although the louvers dramatically reduce flying debris, there are openings in the guard and safety glasses should be worn at all times when viewing through the louvers.

Automatic Electric Brake

Your saw is equipped with an automatic electric blade brake which stops the saw blade within 5 seconds of trigger release. This is not adjustable.

On occasion, there may be a delay after trigger release to brake engagement. On rare occasions, the brake may not engage at all and the blade will coast to a stop.

If a delay or "skipping" occurs, turn the saw on and off 4 or 5 times. If the condition persists, have the tool serviced by an authorised DEWALT service centre.

Always be sure the blade has stopped before removing it from the kerf plate. The brake is not a substitute for guards or for ensuring your own safety by giving the saw your complete attention.

Controls

Your compound mitre saw has several main controls, which will be discussed briefly here. For more information on these controls, see the respective sections later in the manual.

Mitre Control (Fig. A)

The mitre lock knob **5** and mitre detent latch **6** allow you to mitre your saw 50° left and right. To mitre the saw, unlock mitre lock knob **5** by rotating the knob counterclockwise, squeeze the mitre detent latch **6** and set the mitre angle desired on the mitre scale. Lock mitre lock knob by rotating clockwise until tight. Override the mitre detent latch by unlocking the mitre lock knob and pushing the mitre detent override **20** downward. To exit the override, push the mitre detent override switch upward.

Bevel Lock (Fig. J)

The bevel lock knob **11** allows you to bevel the saw 48° left and 3° to the right. To loosen the handle and adjust the bevel setting, turn the handle counterclockwise, the saw head bevels easily to the left. To tighten, turn the handle clockwise. Bevel degree markings are on the bottom front of the saw arm (Fig. H).

Head Downlock Pin (Fig. A)

To lock the saw head in the down position, push the head down, rotate head lock knob **17** 90° and the spring loaded pin will lock in and release the saw head. This will hold the saw head safely down for moving the saw from place to place. To release, pull out the head lock knob and rotate 90°.

OPERATION

Instructions for Use

WARNING: Always observe the safety instructions and applicable regulations.

WARNING: To reduce the risk of serious personal injury, turn tool off and disconnect tool from power source before making any adjustments or removing/installing attachments or accessories. An accidental start-up can cause injury.

Body and Hand Position (Fig. M1–M4)

WARNING: To reduce the risk of serious personal injury, ALWAYS use proper hand position as shown.

WARNING: To reduce the risk of serious personal injury, ALWAYS hold securely in anticipation of a sudden reaction.

Proper positioning of your body and hands when operating the mitre saw will make cutting easier, more accurate and safer. Never place hands near cutting area. Place hands no closer

than 152 mm from the blade. Hold the workpiece tightly to the table and the fence when cutting. Keep hands in position until the trigger has been released and the blade has completely stopped. ALWAYS MAKE DRY RUNS (UNPOWERED) BEFORE FINISH CUTS SO THAT YOU CAN CHECK THE PATH OF THE BLADE. DO NOT CROSS ARMS, AS SHOWN IN FIGURE M3. Keep both feet firmly on the floor and maintain proper balance. As you move the mitre arm left and right, follow it and stand slightly to the side of the saw blade. Sight through the guard louvers when following a pencil line.

Trigger Switch (Fig. N)

To turn the saw on, push the lock-off lever **32** to the left, then depress the trigger switch **1**. The saw will run while the switch is depressed. Allow the blade to spin up to full operating speed before making the cut. To turn the saw off, release the switch. Allow the blade to stop before raising the saw head. There is no provision for locking the switch on. A hole **33** is provided in the trigger for insertion of a padlock to lock the switch off.

Always be sure the blade has stopped before removing it from the kerf.

Dust Extraction (Fig. O)

WARNING: To reduce the risk of serious personal injury, turn tool off and disconnect tool from power source before transporting, making any adjustments or removing/installing attachments or accessories. An accidental start-up can cause injury.

WARNING: Certain dust, such as oak or beech dust, is considered carcinogenic, especially in connection with wood-treatment additives.

- Always use dust extraction.
- Provide for good ventilation of the work space.
- It is recommended to wear an appropriate respirator.

CAUTION: Never operate this saw unless the dust bag or DEWALT dust extractor is in place. Wood dust may create a breathing hazard.

CAUTION: Check and clean the dust bag each time after using.

WARNING: When sawing aluminium, remove the dust bag to avoid the risk of fire.

Your miter saw has a built-in dust port **12** that allows connection to either the supplied dust bag **34**, 35 mm nozzles or direct attachment to the DEWALT AirLock (DWW9000-XJ).

Observe the relevant regulations in your country for the materials to be worked.

To Attach the Dust Bag

1. Fit the dust bag **34** to the dust port **12** as shown in Figure O.

To Empty the Dust Bag

1. Remove dust bag **34** from the saw and gently shake or tap the dust bag to empty.
2. Reattach the dust bag back onto the dust port **12**.

You may notice that all the dust will not come free from the bag. This will not affect cutting performance but will reduce the saw's dust collection efficiency. To restore your saw's dust collection efficiency, depress the spring inside the dust bag when you are emptying it and tap it on the side of the trash can or dust receptacle.

External Dust Extraction (Fig. O)

When vacuuming dry dust that is especially detrimental to health or carcinogenic, use a special dust Class M vacuum cleaner.

Connecting to an AirLock Compatible Dust Extractor (Fig. O)

The dust extractor port **12** on your mitre saw is compatible with the DEWALT AirLock connection system. The AirLock allows for a fast, secure connection between the dust extractor hose **38** and the mitre saw.

1. Ensure the collar on the AirLock connector **39** is in the unlock position. (Refer to Figure O.) Align notches **40** on collar and AirLock connector as shown for unlock and lock positions.
2. Push the AirLock connector onto the dust extractor port **12**.
3. Rotate the collar to the locked position.

NOTE: The ball bearings inside collar lock into slot and secure the connection. The mitre saw is now securely connected to the dust extractor.

Cutting With Your Saw

NOTE: Although this saw will cut wood and many non-ferrous materials, we will limit our discussion to the cutting of wood only. The same guidelines apply to the other materials. **DO NOT CUT FERROUS (IRON AND STEEL) MATERIALS OR MASONRY WITH THIS SAW.** Do not use any abrasive blades.

Crosscuts (Fig. N)

Cutting of multiple pieces is not recommended but can be done safely by ensuring that each piece is held firmly against the table and fence. A crosscut is made by cutting wood across the grain at any angle. A straight crosscut is made with the mitre arm at the zero degree position. Set the mitre arm at zero, hold the wood on the table and firmly against the fence. Turn on the saw by squeezing the trigger switch shown in Figure N.

When the saw comes up to speed (about 1 second) lower the arm smoothly and slowly to cut through the wood. **Let the blade come to a full stop before raising arm.**

CAUTION: Always use a work clamp to maintain control and reduce the risk of workpiece damage and personal injury.

Mitre crosscuts are made with the mitre arm at some angle other than zero. This angle is often 45° for making corners, but can be set anywhere from zero to 50° left or right. After selecting the desired mitre angle, be sure to tighten the mitre lock knob. Make the cut as described above.

To cut through an existing pencil line on a piece of wood, match the angle as close as possible. Cut the wood a little too long and measure from the pencil line to the cut edge to

determine which direction to adjust the mitre angle and recut. This will take some practice, but it is a commonly used technique.

Bevel Cuts (Fig. A)

A bevel cut is a crosscut made with the saw blade at a bevel to the wood. In order to set the bevel, loosen the bevel lock knob **11** and move the saw to the left as desired. (It is necessary to move the left side of the fence to allow clearance). Once the desired bevel angle has been set, tighten the bevel clamp knob firmly.

Bevel angles can be set from 3° right to 48° left and can be cut with the mitre arm set between zero and 50° right or left. Ensure the fence has been adjusted properly. When cutting left bevel, or right mitre compound cuts, it will be necessary to remove the adjustable fence.

Quality of cut

The smoothness of any cut depends on a number of things contributing to the quality of the cut are: material being cut, blade type, blade sharpness and rate of cut all contribute to the quality of the cut.

When smoothest cuts are desired for molding and other precision work, a sharp (60–80 tooth carbide) blade and a slower, even cutting rate will produce the desired results.

Ensure that material does not creep while cutting. Clamp it securely in place. Always let the blade come to a full stop before raising arm.

If small fibers of wood still split out at the rear of the workpiece, apply a piece of masking tape on the wood where the cut will be made. Saw through the tape and carefully remove tape when the cut is finished.

For varied cutting applications, refer to the list of recommended saw blades for your saw and select the one that best fits your needs. Refer to **Saw Blades** under **Optional Accessories** for correct saw blade.

Clamping the Workpiece

WARNING: To reduce the risk of serious personal injury, turn off the tool and disconnect it from the power source before attempting to move it, change accessories or make any adjustments.

WARNING: A workpiece that is clamped, balanced and secure before a cut may become unbalanced after a cut is completed. An unbalanced load may tip the saw or anything the saw is attached to, such as a table or workbench. When making a cut that may become unbalanced, properly support the workpiece and ensure the saw is firmly bolted to a stable surface. Personal injury may occur.

WARNING: The clamp foot must remain clamped above the base of the saw whenever the clamp is used. Always clamp the workpiece to the base of the saw—not to any other part of the work area. Ensure the clamp foot is not clamped on the edge of the base of the saw.

CAUTION: Always use a work clamp to maintain control and reduce the risk of workpiece damage and personal injury.

If you cannot secure the workpiece on the table and against the fence by hand, (irregular shape, etc.) or your hand would be less than 100 mm from the blade, a clamp or other fixture should be used.

For best results use the clamp provided with your saw.

Other aids such as spring clamps, bar clamps or C-clamps may be appropriate for certain sizes and shapes of material. Use care in selecting and placing these clamps. Take time to make a dry run before making the cut. The left fence will slide from side to side to aid in clamping.

To Install Clamp (Fig. A)

1. Insert the clamp into one of the four locations **15** on the base.
2. Lifting up on the arm of the clamp can rapidly adjust the height, then use the fine adjust knob to firmly clamp the workpiece.

NOTE: Place the clamp on the opposite side of the base when beveling. ALWAYS MAKE DRY RUNS (UNPOWERED) BEFORE FINISH CUTS TO CHECK THE PATH OF THE BLADE. ENSURE THE CLAMP DOES NOT INTERFERE WITH THE ACTION OF THE SAW OR GUARDS.

Support for Long Pieces

WARNING: To reduce the risk of serious personal injury, turn off the tool and disconnect it from the power source before attempting to move it, change accessories or make any adjustments.

ALWAYS SUPPORT LONG PIECES.

Never use another person as a substitute for a table extension; as additional support for a workpiece that is longer or wider than the basic mitre saw table or to help feed, support or pull the workpiece.

For best results, use the DWX723, DE7260 or DE7033 mitre saw stand to extend the table width of your saw. This is available from your dealer at extra cost.

Support long workpieces using any convenient means such as sawhorses or similar devices to keep the ends from dropping.

Cutting Picture Frames, Shadow Boxes and Other Four-Sided Projects (Fig. P)

To best understand how to make the items listed here, we suggest that you try a few simple projects using scrap wood until you develop a "FEEL" for your saw.

Your saw is the perfect tool for mitreing corners like the one shown in Figure P. Sketch A in Figure P shows a joint made by using the bevel adjustment to bevel the edges of the two boards at 45° each to produce a 90° mitre corner. For this joint the mitre arm was locked in the zero position and the bevel adjustment was locked at 45°. The wood was positioned with the broad flat side against the table and the narrow edge against the fence. The cut could also be made by mitreing right and left with the broad surface against the fence.

Cutting Trim Molding and Other Frames (Fig. P)

Sketch B in Figure P shows a joint made by setting the mitre arm at 45° to mitre the two boards to form a 90° corner. To make this type of joint, set the bevel adjustment to zero and the mitre arm to 45°. Once again, position the wood with the broad flat side on the table and the narrow edge against the fence.

The two sketches in Figure P are for four-sided objects only.

As the number of sides changes, so do the mitre and bevel angles. The chart below gives the proper angles for a variety of shapes. The chart assumes that all sides are of equal length. For a shape that is not shown in the chart, use the following formula. 180° divided by the number of sides equals the mitre or bevel angle.

EXAMPLES

No. Sides	Angle Mitre or Bevel
4	45°
5	36°
6	30°
7	25.7°
8	22.5°
9	20°
10	18°

Cutting Compound Mitres (Fig. Q, R)

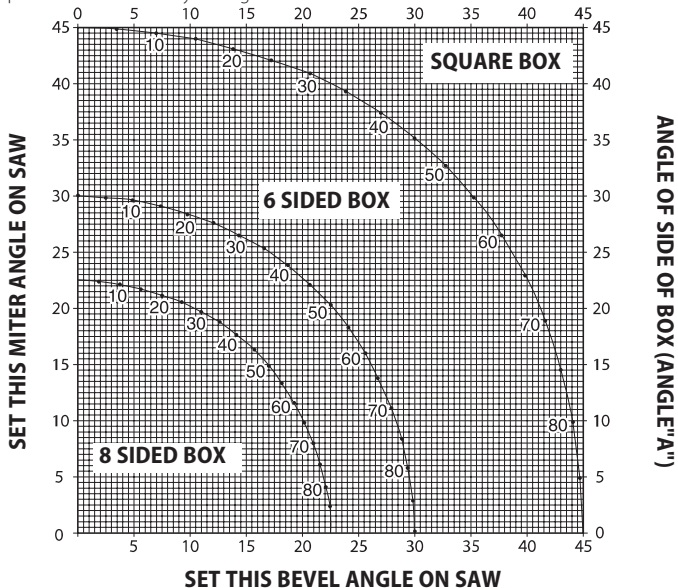
A compound mitre is a cut made using a mitre angle and a bevel angle at the same time. This is the type of cut used to make frames or boxes with slanting sides like the one shown in Figure Q.

NOTE: If the cutting angle varies from cut to cut, check that the bevel clamp knob and the mitre lock knob are securely tightened. These knobs must be tightened after making any changes in bevel or mitre.

The chart will assist you in selecting the proper bevel and mitre settings for common compound mitre cuts. To use the chart, select the desired angle "A" (Figure R) of your project and locate that angle on the appropriate arc in the chart. From that point follow the chart straight down to find the correct bevel angle and straight across to find the correct mitre angle.

Set your saw to the prescribed angles and make a few trial cuts. Practice fitting the cut pieces together until you develop a feel for this procedure and feel comfortable with it.

EXAMPLE: To make a four-sided box with 26° exterior angles (Angle A, Figure R), use the upper right arc. Find 26° on the arc scale. Follow the horizontal intersecting line to either side to get mitre angle setting on saw (42°). Likewise, follow the vertical intersecting line to the top or bottom to get the bevel angle setting on the saw (18°). Always try cuts on a few scrap pieces of wood to verify settings on saw.



Mitre Scale (Fig. A)

The mitre scale is used when calculating angles. To calculate the proper mitre angle, divide 180° by the number of sides of the box or frame. Refer to **Examples**.

When Mitreing to the Right

To increase the mitre angle when mitreing to the right, move the arm to align the appropriate vernier mark with the closest mark on the mitre scale to the right. To decrease the mitre angle when mitreing to the right, move the arm to align the appropriate vernier mark with the closest mark on the mitre scale to the left.

When Mitreing to the Left

To increase the mitre angle when mitreing to the left, move the arm to align the appropriate vernier mark with the closest mark on the mitre scale to the left. To decrease the mitre angle when mitreing to the left, move the arm to align the appropriate vernier mark with the closest mark on the mitre scale to the right.

Cutting Base Molding

ALWAYS MAKE A DRY RUN WITHOUT POWER BEFORE MAKING ANY CUTS.

Straight 90° Cuts (Fig. S)

Position the wood against the fence as shown in Figure S. Turn on the saw, allow the blade to reach full speed and lower the arm smoothly through the cut.

Cutting Base Molding up to 89 mm High Vertically Against The Fence (Fig. L, S)

Position molding as shown in Figure S.

All cuts are made with the back of the molding against the fence and bottom of the molding against the base.

	Inside corner	Outside corner
Left side	1. Mitre left 45° 2. Save left side of cut	1. Mitre right 45° 2. Save left side of cut
Right side	1. Mitre right 45° 2. Save right side of cut	1. Mitre left 45° 2. Save right side of cut

Material up to 89 mm can be cut as described above. For wider boards [up to 108 mm] several minor concessions must be made.

When cutting a board between 89 mm and 108 mm in width the roller on the tip of the guard could hang up on the workpiece. If this occurs, simply place your right thumb on the upper side of the guard and roll the guard up just enough to clear the workpiece, as shown in Figure L. Once you have cleared the workpiece, you can release the guard and it will continue to open as the cut progresses.

When mitreing to the right side of a base molding wider than 89 mm standing vertically against the fence as in Figure U, the saw can only cut through the board up to 1 inch from the end of the board. Trying to cut more than an inch will cause the saw's gear case to interfere with the workpiece. If you want to cut base molding between 89 mm and 108 mm wide vertically follow the directions below.

Cutting 89 mm–108 mm Base Molding Vertically Against the Fence (Fig. S)

- Position molding as shown in Figure S.
- All cuts made with the back of the molding against the fence.

	Inside corner	Outside corner
Left side*	1. Position molding with bottom of molding against the base of the saw 2. Mitre left 45° 3. Save left side of cut	1. Position molding with bottom of molding against the base of the saw 2. Mitre right 45° 3. Save left side of cut
Right side	1. Position molding with bottom of the molding resting on the base of the saw 2. Mitre right 45° 3. Save right side of cut	1. Position molding with bottom of the molding against the base of the saw 2. Mitre left 45° 3. Save right side of cut

* **NOTE:** If the cut must be made somewhere other than 1" from the end of the molding: cut off the molding at 90° approx. 25.4 mm longer than your final length. Then, make the mitre cut as described above.

Another method of making the cut is to make a zero degree mitre, 45° bevel cut. Your saw can cut a bevel 158 mm wide.

Cutting Base Molding Laying Flat and Using the Bevel Feature

- All cuts made with the saw set at 45° bevel and 0 mitre.
- All cuts made with back of molding laying flat on the saw.
- Move the left side fence out of the path of the blade before attempting any of the following cuts.

	Inside corner	Outside corner
Left side	1. Position molding with top of molding against the fence 2. Save left side of cut	1. Position molding with bottom of the molding against the fence 2. Save left side of cut
Right side	1. Position molding with bottom of the molding against the fence 2. Save right side of cut	1. Position molding with top of molding against the fence 2. Save right side of cut

Cutting Crown Molding

Your mitre saw is better suited to the task of cutting crown molding than any tool made. In order to fit properly, crown molding must be compound mitred with extreme accuracy. The two flat surfaces on a given piece of crown molding are at angles that, when added together, equal exactly 90°. Most, but not all, crown molding has a top rear angle (the section that fits flat against the ceiling) of 52° and a bottom rear angle (the part that fits flat against the wall) of 38°.

Your mitre saw has special pre-set mitre detent points at 31.62° left and right for cutting crown molding at the proper angle. There is also a mark on the Bevel scale at 33.85°.

The **Bevel Setting/Type of Cut** chart gives the proper settings for cutting crown molding. (The numbers for the mitre and bevel settings are very precise and are not easy to accurately set on your saw.) Since most rooms do not have angles of precisely 90°, you will have to fine tune your settings anyway.

PRETESTING WITH SCRAP MATERIAL IS EXTREMELY IMPORTANT!

For Cutting Crown Molding Laying Flat and Using the Compound Features (Fig. T)

1. Move the sliding fence **10** out of the path of the blade before attempting any of the following cuts.
2. Molding laying with broad back surface down flat on saw table **36** (Fig. T).

BEVEL SETTING	TYPE OF CUT
33.9°	LEFT SIDE, INSIDE CORNER
	1. Top of molding against fence
	2. Mitre table set right 31.6°
33.9°	RIGHT SIDE, INSIDE CORNER
	1. Bottom of molding against fence
	2. Mitre table set left 31.6°
33.9°	LEFT SIDE, OUTSIDE CORNER
	1. Bottom of molding against fence
	2. Mitre table set left 31.6°
33.9°	RIGHT SIDE, OUTSIDE CORNER
	1. Top of molding against fence
	2. Mitre table set right 31.6°

When setting bevel and mitre angles for all compound mitres, remember that: The angles presented for crown moldings are very precise and difficult to set exactly. Since they can easily shift slightly and very few rooms have exactly square corners, all settings should be tested on scrap molding.

PRETESTING WITH SCRAP MATERIAL IS EXTREMELY IMPORTANT!

Alternative Method for Cutting Crown Molding (Fig. U)

Place the molding on the table at an angle between the sliding fence **10** and the saw table **36**, as shown in Figure U. Use of the crown molding fence accessory (DW7084) is highly recommended because of its degree of accuracy and convenience. The crown molding fence accessory is available at extra cost from your local dealer.

The advantage to cutting crown molding using this method is that no bevel cut is required. Minute changes in the mitre angle can be made without affecting the bevel angle. This way, when corners other than 90° are encountered, the saw can be quickly and easily adjusted for them. Use the crown molding fence accessory (DW7084) to maintain the angle at which the molding will be on the wall.

Instructions for Cutting Crown Molding Angled Between the Fence and Base of the Saw for All Cuts (Fig. U)

1. Angle the molding so the bottom of the molding (part which goes against the wall when installed) is against the fence and the top of the molding is resting on the base of the saw, as shown in Figure U.
2. The angled "flats" on the back of the molding must rest squarely on the fence and base of the saw.

	Inside corner	Outside corner
Left side	1. Mitre right 45° 2. Save right side of cut	1. Mitre left 45° 2. Save right side of cut
Right side	1. Mitre left 45° 2. Save left side of cut	1. Mitre right 45° 2. Save left side of cut

Special Cuts

NEVER MAKE ANY CUT UNLESS THE MATERIAL IS SECURED ON THE TABLE AND AGAINST THE FENCE.

Aluminum Cutting (Fig. A, V, W)

ALWAYS USE THE APPROPRIATE SAW BLADE MADE ESPECIALLY FOR CUTTING ALUMINUM. These are available at your local DeWALT retailer or DeWALT service centre. Certain workpieces, due to their size, shape or surface finish, may require the use of a clamp or fixture to prevent movement during the cut. Position the material so that you will be cutting the thinnest cross section, as shown in Figure V. Figure W illustrates the wrong way to cut these extrusions. Use a stick wax cutting lubricant when cutting aluminum. Apply the stick wax directly to the saw blade **26** before cutting. Never apply stick wax to a moving blade.

The wax, available at most hardware stores and industrial mill supply houses, provides proper lubrication and keeps chips from adhering to the blade.

Be sure to properly secure workpiece. Refer to **Saw Blades** under **Optional Accessories** for correct saw blade.

Bowed Material (Fig. X, Y)

When cutting bowed material always position it as shown in Figure X and never like that shown in Figure Y. Positioning the material incorrectly will cause it to pinch the blade near the completion of the cut.

Cutting Plastic Pipe or Other Round Material

Plastic pipe can be easily cut with your saw. It should be cut just like wood and **CLAMPED OR HELD FIRMLY TO THE FENCE TO KEEP IT FROM ROLLING**. This is extremely important when making angle cuts.

Cutting Large Material (Fig. L)

Occasionally you will encounter a piece of wood a little too large to fit beneath the blade guard. A little extra height can be gained by rolling the guard up out of the way, as shown in Figure L. Avoid doing this as much as possible, but if need be, the saw will operate properly and make the bigger cut. NEVER TIE, TAPE, OR OTHERWISE HOLD THE GUARD OPEN WHEN OPERATING THIS SAW.

MAINTENANCE

Your power tool has been designed to operate over a long period of time with a minimum of maintenance. Continuous satisfactory operation depends upon proper tool care and regular cleaning.

WARNING: To reduce the risk of serious personal injury, turn tool off and disconnect tool from power source before making any adjustments or removing/installing attachments or accessories. An accidental start-up can cause injury.

DO NOT use lubricants or cleaners (particularly spray or aerosol) in the vicinity of the plastic guard. The polycarbonate material used in the guard is subject to attack by certain chemicals.

1. All bearings are sealed. They are lubricated for life and need no further maintenance.
2. Periodically clean all dust and wood chips from around AND UNDER the base and the rotary table. Even though slots are provided to allow debris to pass through, some dust will accumulate.
3. The brushes are designed to give you several years of use. To replace the brushes, return the tool to the nearest service centre for repair. A list of service centre locations is packed with your tool.



Lubrication

Your power tool requires no additional lubrication.



Cleaning

WARNING: Blow dirt and dust out of the main housing with dry air as often as dirt is seen collecting in and around the air vents. Wear approved eye protection and approved dust mask when performing this procedure.

WARNING: Never use solvents or other harsh chemicals for cleaning the non-metallic parts of the tool. These chemicals may weaken the materials used in these parts. Use a cloth dampened only with water and mild soap. Never let any liquid get inside the tool; never immerse any part of the tool into a liquid.

Optional Accessories

WARNING: Since accessories, other than those offered by DeWALT, have not been tested with this product, use of such accessories with this tool could be hazardous. To reduce the risk of injury, only DeWALT recommended accessories should be used with this product.

Consult your dealer for further information on the appropriate accessories. The following accessories, designed for your saw, may be helpful. In some cases, other locally obtained work supports, length stops, clamps, etc., may be more appropriate. Use care in selecting and using accessories.

Adjustable Length Stop: DW7051

Requires the use of one work support. It is used to make repetitive cuts of the same length from 0 to 107 cm.

Clamp: DW7082

Used for firmly clamping workpiece to the saw fence for precision cutting.

Dust Bag: DW7053

Included with some models

Equipped with a zipper for easy emptying, the dust bag will capture the majority of the sawdust produced.

Crown Molding Fence: DW7084

Used for precision cutting of crown molding.

Mitre Saw Stands: DWX723, DE7260, DE7033

Provides stable and accurate work platform for mitre saws.

Saw Blades

ALWAYS USE 254 mm SAW BLADES WITH 16 mm ARBOUR HOLES. SPEED RATING MUST BE AT LEAST 5500 RPM. Never use a smaller diameter blade. It will not be guarded properly. Use crosscut blades only! Do not use blades designed for ripping, combination blades or blades with hook angles in excess of 7 degrees.

BLADE DESCRIPTIONS		
APPLICATION	DIAMETER	TEETH
Construction Saw Blades (thin kerf with anti-stick rim)		
General purpose	254 mm	40
Fine crosscuts	254 mm	60
Woodworking Saw Blades (provide smooth, clean cuts)		
Fine crosscuts	254 mm	80
Non-ferrous metals	254 mm	80
NOTE: For cutting non-ferrous metals, use only saw blades with TCG teeth designed for this purpose.		

Protecting the Environment



Separate collection. Products marked with this symbol must not be disposed of with normal household waste.

Products contain materials that can be recovered or recycled reducing the demand for raw materials. Please recycle electrical products according to local provisions.

Further information is available at www.2helpU.com.

Troubleshooting Guide

BE SURE TO FOLLOW SAFETY RULES AND INSTRUCTIONS

TROUBLE!	WHAT'S WRONG?	WHAT TO DO
Saw will not start	Saw not plugged in	Plug in saw.
	Fuse blown or circuit breaker tripped	Replace fuse or reset circuit breaker.
	Cord damaged	Have cord replaced by authorised service centre.
	Brushes worn out	Have brushes replaced by authorised service centre or replace them yourself.
Saw makes unsatisfactory cuts	Dull blade	Replace blade. Refer to Changing or Installing a New Saw Blade .
	Blade mounted backwards	Turn blade around. Refer to Changing or Installing a New Saw Blade .
	Gum or pitch on blade	Remove blade and clean with turpentine and coarse steel wool or household oven cleaner.
	Incorrect blade for work being done	Change the blade type. Refer to Saw Blades under Accessories .
Blade does not come up to speed	Extension cord too light or too long	Replace with adequate size cord. Refer to Additional Safety Rules for Mitre Saws .
	Low house current	Contact your electric company.
Machine vibrates excessively	Saw not mounted securely to stand or work bench	Tighten all mounting hardware. Refer to Bench Mounting .
	Stand or bench on uneven floor	Reposition on flat level surface. Refer to Familiarization .
	Damaged saw blade	Replace blade. Refer to Changing or Installing a New Saw Blade .
Does not make accurate mitre cuts	Mitre scale not adjusted correctly	Check and adjust. Refer to Mitre Scale Adjustment under Assembly and Adjustments .
	Blade is not square to fence	Check and adjust. Refer to Mitre Scale Adjustment under Assembly and Adjustments .
	Blade is not perpendicular to table	Check and adjust fence. Refer to Bevel Square to Table under Assembly and Adjustments .
	Workpiece moving	Clamp workpiece securely to fence or glue 120 grit sandpaper to fence with rubber cement.
Material pinches blade	Cutting bowed material	Refer to Bowed Material under Special Cuts .

254 мм УНИВЕРСАЛЬНАЯ ТОРЦОВОЧНАЯ ПИЛА DWS713

Поздравляем!

Вы приобрели инструмент. Многолетний опыт, тщательная разработка изделий и инновации делают компанию одним из самых надёжных партнеров для пользователей профессионального электроинструмента.

Технические характеристики

		DWS713
Напряжение	V	230
Тип		20
Потребляемая мощность	Вт	1600
Диаметр диска	мм	254
Макс. скорость вращения диска	об/мин.	5000
Макс. длина поперечного распила 90°	мм	155
Макс. длина распила со скосом 45°	мм	107
Макс. глубина распила 90°	мм	89
Макс. глубина поперечного реза с наклоном 45°	мм	58
Основанием вертикально к направляющей		
Макс. высота	мм	108
Макс. ширина	мм	16
Скос (макс. положения)	влево	50°
	вправо	50°
Наклон (макс. положения)	влево	48°
	вправо	3°
0° скос		
Фактическая ширина при макс. высоте 89 мм	мм	89
Фактическая высота при макс. ширине 155 мм	мм	32
45° скос		
Фактическая ширина при макс. высоте 89 мм	мм	61
Фактическая высота при макс. ширине 107 мм	мм	32
45° наклон		
Фактическая ширина при макс. высоте 58 мм	мм	89
Фактическая высота при макс. ширине 155 мм	мм	19
31,6° скос, 33,9° наклон		
Фактическая высота при макс. ширине 133 мм	мм	23
Время автоматического торможения диска	сек.	< 10,0
Вес	кг	14



ВНИМАНИЕ: Во избежание риска получения травм ознакомьтесь с инструкцией.

Обозначения: правила техники безопасности

Ниже описывается уровень опасности, обозначаемый каждым из предупреждений. Прочитайте руководство и обратите внимание на данные символы.



ОПАСНО: Обозначает опасную ситуацию, которая **неизбежно** приведет к **серьезной травме или смертельному исходу**, в случае несоблюдения соответствующих мер безопасности.



ВНИМАНИЕ: Указывает на потенциально опасную ситуацию, которая, в случае несоблюдения соответствующих мер безопасности, **может** привести к **серьезной травме или смертельному исходу**.



ПРЕДУПРЕЖДЕНИЕ: Указывает на потенциально опасную ситуацию, которая, в случае несоблюдения соответствующих мер безопасности **может** стать причиной травм **средней или легкой степени тяжести**.

ПОЯСНЕНИЕ: Указывает на практики, **использование которых не связано с получением травмы**, но если ими пренебречь, **могут** привести к **порче имущества**.



Указывает на риск поражения электрическим током.



Указывает на риск возгорания.

ОБЩИЕ ПРАВИЛА ТЕХНИКИ БЕЗОПАСНОСТИ ПРИ ИСПОЛЬЗОВАНИИ ЭЛЕКТРОИНСТРУМЕНТОВ



ВНИМАНИЕ: Прочитайте и просмотрите все предупреждения, инструкции, иллюстрации и спецификации по данному электроинструменту. Несоблюдение всех приведенных ниже инструкций может стать причиной поражения электрическим током, возгорания и/или тяжелой травмы.

СОХРАНИТЕ ВСЕ ИНСТРУКЦИИ ДЛЯ ПОСЛЕДУЮЩЕГО ИСПОЛЬЗОВАНИЯ

Термин «электроинструмент» в предупреждениях относится к работающим от сети (проводным) электроинструментам или работающим от аккумуляторной батареи (беспроводным) электроинструментам.

1) Безопасность на рабочем месте

- Следите за чистой и хорошим освещением на рабочем месте.** Захламленное или плохо освещенное рабочее место может стать причиной несчастного случая.
- Запрещается работать с электроинструментами во взрывоопасных местах, например, вблизи легковоспламеняющихся жидкостей, газов и пыли.** Искры, которые появляются при работе электроинструментов могут привести к воспламенению пыли или паров.
- Следите за тем, чтобы во время работы с электроинструментом в зоне работы не было посторонних и детей.** Отвлекаясь от работы вы можете потерять контроль над инструментом.

2) Электробезопасность

- Штепсельная вилка электроинструмента должна соответствовать розетке. Никогда не меняйте вилку инструмента. Запрещается использовать переходники к вилкам для электроинструментов с заземлением.** Использование оригинальных штепсельных вилок, соответствующих типу сетевой розетки снижает риск поражения электрическим током.
- Избегайте контакта с заземленными поверхностями, такими как трубы, радиаторы и холодильники.** Если вы будете заземлены, увеличивается риск поражения электрическим током.
- Запрещается оставлять электроинструмент под дождем и в местах повышенной влажности.** При попадании воды в электроинструмент риск поражения электротоком возрастает.
- Берегите кабель от повреждений. Никогда не используйте кабель для переноски инструмента, не тяните за него, пытайтесь отключить инструмент от сети. Держите кабель подальше от источников тепла, масла, острых углов или движущихся предметов.** Поврежденный или запутанный кабель питания повышает риск поражения электрическим током.
- При работе с электроинструментом на открытом воздухе используйте удлинитель, подходящий для использования на улице.** Использование кабеля питания, предназначенного для использования вне помещения, снижает риск поражения электрическим током.
- Если использование электроинструмента в условиях повышенной влажности неизбежно, используйте устройства защитного отключения (УЗО) для защиты сети.** Использование УЗО сокращает риск поражения электрическим током.

3) Обеспечение индивидуальной безопасности

- Будьте внимательны, смотрите, что делаете и не забывайте о здравом смысле при работе с электроинструментом. Запрещается работать с электроинструментом в состоянии усталости, наркотического, алкогольного опьянения или под воздействием лекарственных препаратов.** Невнимательность при работе с электроинструментом может привести к серьезным телесным повреждениям.
- Используйте индивидуальные средства защиты. Всегда используйте защитные очки.** Средства защиты, такие как пылезащитная маска, обувь с нескользящей подошвой, каска и защитные наушники, используемые при работе, уменьшают риск получения травм.
- Примите меры для предотвращения случайного включения. Перед тем как подключить электроинструмент к сети и/или аккумуляторной батарее, возьмите инструмент или перенести его на другое место, убедитесь в том, что выключатель находится в положении «Выкл.». Если при переноске электроинструмента он подключен к сети, и при этом ваш палец находится на выключателе, это может стать причиной несчастных случаев.**
- Уберите все регулировочные или гаечные ключи перед включением электроинструмента.** Ключ, оставленный на вращающейся части электроинструмента, может привести к травме.
- Не пытайтесь дотянуться до слишком удаленных поверхностей. Обувь должна быть удобной, чтобы вы всегда могли сохранять равновесие.** Это позволит лучше контролировать электроинструмент в непредвиденных ситуациях.
- Одевайтесь соответствующим образом. Избегайте носить свободную одежду и ювелирные украшения. Следите за тем, чтобы волосы и одежда не попадали под движущиеся детали.** Возможно наматывание свободной одежды, ювелирных изделий и длинных волос на движущиеся детали.
- При наличии устройств для подключения оборудования для удаления и сбора пыли необходимо обеспечить правильность их подключения и эксплуатации.** Использование устройства для пылеудаления сокращает риски, связанные с пылью.
- Не позволяйте хорошему знанию от частого использования инструментов стать причиной самонадеянности и игнорирования правил техники безопасности.** Небрежное действие может повлечь серьезные травмы за долю секунды.

4) Эксплуатация электроинструмента и уход за ним

- a) **Избегайте чрезмерной нагрузки электроинструмента. Используйте электроинструмент в соответствии с назначением.** Правильно подобранный электроинструмент выполнит работу более эффективно и безопасно при стандартной нагрузке.
- b) **Не пользуйтесь инструментом, если не работает выключатель.** Любый инструмент, управлять выключением и включением которого невозможно, опасен, и его необходимо отремонтировать.
- c) **Перед выполнением любых настроек, сменой аксессуаров или прежде чем убрать инструмент на хранение, отключите его от сети и/или снимите с него аккумуляторную батарею, если ее можно снять.** Такие превентивные меры безопасности сокращают риск случайного включения электроинструмента.
- d) **Храните электроинструмент в недоступном для детей месте и не позволяйте работать с инструментом людям, не имеющим соответствующих навыков работы с такого рода инструментами.** Электроинструмент представляет опасность в руках неопытных пользователей.
- e) **Поддерживайте электроинструмент и принадлежности в исправном состоянии.** Проверьте, не нарушена ли центровка или не заклинены ли движущиеся детали, нет ли повреждений или иных неисправностей, которые могли бы повлиять на работу электроинструмента. В случае обнаружения повреждений, прежде чем приступить к эксплуатации электроинструмента, его нужно отремонтировать. Большинство несчастных случаев происходит из-за электроинструментов, которые не обслуживаются должным образом.
- f) **Содержите режущий инструмент в остро заточенном и чистом состоянии.** Вероятность заклинивания инструмента, за которым следят должным образом и который хорошо заточен, значительно меньше, а работать с ним легче.
- g) **Используйте электроинструменты, принадлежности и насадки в соответствии с данными инструкциями, принимая во внимание условия работы и характер выполняемой работы.** Использование электроинструмента для выполнения операций, для которых он не предназначен, может привести к созданию опасных ситуаций.
- h) **Все рукоятки и поверхности захватывания должны быть сухими и без следов смазки.** Скользкие рукоятки и поверхности захватывания не позволяют обеспечить безопасность работы и управления инструментом в непредвиденных ситуациях.

5) Обслуживание


- a) **Обслуживание электроинструмента должен проводить квалифицированный специалист с использованием только оригинальных запасных частей.** Это позволит обеспечить безопасность обслуживаемого электрифицированного инструмента.

Инструкции по технике безопасности для торцово-усовочных пил

- a) **Торцовочные пилы предназначены для распиловки древесины или изделий из дерева; их нельзя использовать с абразивными отрезными кругами для резки материалов, содержащих черные металлы, таких как болванки, прутья, заклепки и пр.** Абразивная пыль приводит к заклиниванию движущихся частей наподобие нижнего защитного кожуха. Искры от абразивной резки сожгут нижний защитный кожух, пластину для пропила и другие детали из пластмассы.
- b) **По мере возможности используйте зажимы, чтобы поддерживать заготовку.** При поддержке заготовки рукой, всегда держите руку на расстоянии в по крайней мере 100 мм от обеих сторон пильного диска. **Не используйте эту пилу для резки заготовок, которые слишком малы, чтобы их надежно зафиксировать или удерживать рукой.** Если ваша рука расположена слишком близко к пильному диску, то это создает повышенные риски получения травмы от контакта с диском.
- c) **Заготовка должна быть неподвижной и зафиксированной по отношению к направляющей и столу. Никогда не подавайте под движущийся пильный диск и не выполняйте распил «от руки».** Незафиксированные или подвижные заготовки могут быть выброшены с высокой скоростью, что может повлечь за собой травмы.
- d) **Толкайте пилу от себя по заготовке. Не тяните пилу через заготовку на себя. Чтобы выполнить распил, поднимите головку пилы и вытяните ее над заготовкой без распила, запустите электродвигатель, опустите головку пилы и толкайте пилу от себя по заготовке.** Попытка выполнить распил во время вытягивания с большой вероятностью приведет к тому, что пильный диск выскочит вверх из заготовки, а узел диска будет резко отброшен в сторону оператора.
- e) **Ни в коем случае не пересекайте линию предполагаемого реза рукой перед или за пильным диском.** Удерживание заготовки «крест-накрест», т. е. удерживая заготовку справа от пильного диска левой рукой или наоборот, является очень опасным.
- f) **Не пытайтесь дотянуться до задней стороны направляющей и не подносите руки на расстояние ближе 100 мм от каждой стороны пильного диска, чтобы удалить обрезки древесины или по какой-либо другой причине, пока диск вращается.** Расстояние до пильного диска может быть меньше, чем кажется, в результате чего создается риск тяжелых травм.

- g) **Проверяйте свои заготовки перед распиловкой. Если заготовка искривлена или изогнута, зафиксируйте ее внешней изогнутой стороной лицом к направляющей. Всегда проверяйте отсутствие зазора между заготовкой, направляющей и столом по линии реза.** Погнутые или искривленные заготовки могут перекоиться или сместиться, что может заклинить пильный диск во время резки. В заготовке не должно быть гвоздей или посторонних предметов.
- h) **Не используйте пилу, пока не очистите стол от всех инструментов, обрезков и всего прочего, кроме заготовок.** Мелкий мусор или куски древесины или другие предметы, касающиеся вращающегося диска, могут быть отброшены с высокой скоростью.
- i) **Распиливайте по одной заготовке за раз.** Уложенные рядом несколько заготовок невозможно зафиксировать или закрепить, что может привести к заклиниванию диска или смещению во время распиловки.
- j) **Убедитесь, что торцово-усовочная пила расположена на ровной, твердой рабочей поверхности во время использования.** Ровная и твердая рабочая поверхность снижает риск неустойчивости торцовочной пилы.
- k) **Планируйте свою работу. При каждом изменении настроек угла скоса или фаски, убедитесь, что регулируемая направляющая линейка правильно установлена, чтобы поддерживать заготовку и не мешать диску или системе ограждения.** Не включая инструмент и без заготовки на столе, проведите пильный диск по воображаемой линии реза, чтобы убедиться в отсутствии помех или риска разрезать направляющую.
- l) **Обеспечьте достаточную опору с помощью удлинителя стола, пильных козлов и т. п. для заготовок, которые шире или длиннее столешницы.** Не поддерживаемые должным образом заготовки, длина или ширина которых больше распиловочного стола, во время пиления могут подняться или наклониться. Приподнявшаяся заготовка или отрезная часть заготовки может поднять нижний защитный кожух или отброшена в сторону вращающимся пильным диском.
- m) **Не используйте других лиц в качестве замены удлинителя стола или в качестве дополнительной опоры.** Неустойчивая опора для заготовки может привести к заклиниванию диска или к смещению заготовки во время распиловки, что может затянуть и вас, и помощника под вращающийся диск.
- n) **Обрезки не следует зажимать или прижимать каким-либо образом к вращающемуся пильному диску.** Если зажать отрезной конец, например, ограничителями длины, он может попасть под диск и быть резко отброшен в сторону.
- o) **Всегда используйте соответствующие зажимы или фиксаторы для надлежащей поддержки круглых материалов, таких как брусья или трубы.** Брусья имеют свойство катиться при распиловке, что приводит к заклиниванию диска внутри и втягиванию заготовки вместе с вашей рукой под диск.
- p) **Перед подачей заготовки дождитесь, пока двигатель наберет полные обороты.** Это снизит риск отбрасывания заготовки.
- q) **Если заготовка или диск застряли, выключите торцовочную пилу. Дождитесь останова всех движущихся частей, отсоедините вилку от источника питания и/или извлеките батарею. Затем высвободите застрявший материал.** Продолжение распиловки с застрявшей заготовкой может привести к потере контроля или повреждению торцовочной пилы.
- r) **По завершении распиловки, отпустите выключатель, удерживайте головку пилы в опущенном положении и дождитесь останова диска, прежде чем начать уборку обрезков.** Не держите руку рядом с диском во время выбега, так как это представляет опасность.
- s) **Крепко удерживайте рукоятку при выполнении неполного реза или при отпуске выключателя до того, как головка пилы будет в полностью опущенном положении.** Торможение пилы может привести к резкому затягиванию головки пилы вниз, что создает риск получения травмы.

Дополнительные правила техники безопасности для торцовочных пил

-  **ОСТОРОЖНО:** Не подключайте инструмент к источнику питания до полного прочтения и понимания инструкций.
- **НЕ ИСПОЛЬЗУЙТЕ ДАННЫЙ ИНСТРУМЕНТ** до завершения сборки и установки в соответствии с инструкциями. Неправильная сборка устройства может стать причиной серьезной травмы.
- **ПОЛУЧИТЕ КОНСУЛЬТАЦИЮ** опытного оператора, инструктора или другого квалифицированного лица, если у вас недостаточно опыта для работы с данным инструментом. Знание есть безопасность.
- **УБЕДИТЕСЬ, ЧТО** диск вращается в правильном направлении. Зубья на диске должны быть направлены в сторону направления вращения, как указано на пиле.
- **ЗАТЯНИТЕ ВСЕ РУКОЯТКИ ЗАЖИМОВ**, ручки и рычаги перед работой. Ослабевшие зажимы могут привести к выбросу частей заготовки на высокой скорости.
- **УБЕДИТЕСЬ, ЧТО** все диски и зажимы дисков чисты, утопленные стороны зажимов диска прижаты к диску, а распорный винт надежно затянут. Слабое или неправильное зажатие диска может повлечь за собой повреждение пилы и нанести травмы.
- **НЕ РАБОТАЙТЕ С НАПРЯЖЕНИЕМ, ОТЛИЧНЫМ ОТ УКАЗАННОГО** for для пилы. Это может привести к перегреву, повреждению инструмента и травмам.

- **НЕ ЗАКЛИНИВАЙТЕ КАКИМИ-ЛИБО ПРЕДМЕТАМИ КРЫЛЬЧАТКУ ВЕНТИЛЯТОРА** то для удерживания вала двигателя. Это может привести к повреждению инструмента и травмам.
- **НИ В КОЕМ СЛУЧАЕ НЕ РАЗРЕЗАЙТЕ МЕТАЛЛЫ** от или каменную кладку. Распиловка этих материалов может привести к вылету твердосплавных наконечников с диска с высокой скоростью и серьезным травмам.
- **НИКОГДА НЕ ДОПУСКАЙТЕ НАХОЖДЕНИЯ КАКОЙ-ЛИБО ЧАСТИ ТЕЛА В ОДНОЙ ПЛОСКОСТИ С ДИСКОМ.** Это может привести к травмам.
- **НИКОГДА НЕ НАНОСИТЕ СМАЗКУ НА ДВИЖУЩИЙСЯ ДИСК.** Нанесение смазки может затянуть вашу руку в диск, что приведет к серьезным травмам.
- **НЕ ДЕРЖИТЕ** руки рядом с диском в то время, когда пила подключена к источнику питания. Случайный запуск диска может привести к серьезным травмам.
- **НИКОГДА НЕ ДЕРЖИТЕ РУКИ РЯДОМ ИЛИ ЗА ПИЛЬНЫМ ДИСКОМ.** Диск может стать причиной серьезных травм.
- **НЕ ДЕРЖИТЕ РУКИ ПОД ПИЛОЙ, ЕСЛИ ОНА НЕ ВЫКЛЮЧЕНА И НЕ ОТСОЕДИНЕНА** от источника питания. Соприкосновение с диском может привести к травме.
- **ЗАКРЕПИТЕ ИНСТРУМЕНТ НА УСТОЙЧИВОЙ ОПОРНОЙ ПОВЕРХНОСТИ.** Вибрация может привести к скольжению, смещению или опрокидыванию устройства, что может привести к серьезным травмам.
- **ИСПОЛЬЗУЙТЕ ТОЛЬКО ПИЛЬНЫЕ ДИСКИ ДЛЯ ПОПЕРЕЧНЫХ РАСПИЛОВ,** рекомендованные для торцовочных пил. Для достижения наилучших результатов не используйте пильные диски с твердосплавными напайками, угол зубьев которых превышает 7°. Не используйте диски с глубокими впадинами между зубьями. Они могут отскочить и соприкоснуться с ограждением и привести к повреждению устройства и/или серьезным травмам.
- **ИСПОЛЬЗУЙТЕ ТОЛЬКО ДИСКИ ПРАВИЛЬНОГО РАЗМЕРА И ТИПА,** указанного для данного инструмента, чтобы предотвратить повреждение устройства и/или серьезные травмы (согласно EN847-1).
- **ПЕРЕД РАБОТОЙ ОСМАТРИВАЙТЕ ДИСКИ НА ПРЕДМЕТ ВЫЯВЛЕНИЯ ТРЕЩИН** от или других повреждений. Треснувший или поврежденный диск может разрушиться с выбросом фрагментов с высокой скоростью, что может привести к серьезным травмам. Немедленно замените треснувшие и поврежденные диски. Соблюдайте максимальную скорость, указанную на пильном диске.
- **ОЧИЩАЙТЕ ДИСКИ И ЗАЖИМЫ ДИСКА** перед эксплуатацией. Очистка диска и зажимов диска позволяет вам проверять наличие повреждений диска или зажимов диска. Треснувший или поврежденный диск или зажим диска могут разрушиться с выбросом фрагментов с высокой скоростью, что может привести к серьезным травмам.
- **НЕ ИСПОЛЬЗУЙТЕ ИСКРИВЛЕННЫЕ ДИСКИ.** Убедитесь, что диск вращается плавно и без вибраций. Вибрирующий диск может привести к повреждению устройства и/или серьезным травмам.
- **НЕ ИСПОЛЬЗУЙТЕ** смазочные или чистящие вещества (в частности, спрей или аэрозоль) в непосредственной близости от пластикового защитного кожуха. Поликарбонат, используемый в материале защитного кожуха, может повредиться под воздействием некоторых химических веществ.
- **СЛЕДИТЕ, ЧТОБЫ ЗАЩИТНЫЙ КОЖУХ ВСЕГДА БЫЛ УСТАНОВЛЕН НА ИНСТРУМЕНТ** и находился в хорошем рабочем состоянии.
- **ВСЕГДА ИСПОЛЬЗУЙТЕ ПЛАСТИНУ ДЛЯ ПРОПИЛА И ЗАМЕНЯЙТЕ ЕЕ ПРИ НАЛИЧИИ ПОВРЕЖДЕНИЙ.** Скопление мелкой щепы под пилой может помешать работе пильного диска или нарушить устойчивость заготовки во время распиловки.
- **ИСПОЛЬЗУЙТЕ ТОЛЬКО ЗАЖИМЫ ДИСКА, ПРЕДНАЗНАЧЕННЫЕ ДЛЯ ДАННОГО ИНСТРУМЕНТА,** чтобы предотвратить повреждение инструмента и/или серьезные травмы.
- **УБЕДИТЕСЬ,** что перед началом работы выбрали правильный диск в соответствии с материалом.
- **ОЧИЩАЙТЕ ВЕНТИЛЯЦИОННЫЕ ОТВЕРСТИЯ ДВИГАТЕЛЯ** от щепы и пыли. Забитые вентиляционные отверстия могут привести к перегреву устройства, что может повлечь за собой повреждения устройства и привести к короткому замыканию, которое может привести к серьезным травмам.
- **НИКОГДА НЕ ФИКСИРУЙТЕ ВЫКЛЮЧАТЕЛЬ В ПОЛОЖЕНИИ ВКЛЮЧЕНИЯ.** Это может привести к серьезной травме.
- **НИКОГДА НЕ ВСТАВАЙТЕ НА ИНСТРУМЕНТ.** Если вы перевернете инструмент или если случайно соприкоснетесь с режущим инструментом, это может привести к серьезным травмам.

ОСТОРОЖНО: Резка пластмассы, пропитанной древесины и других материалов может привести к накоплению расплавленного материала на краях полотна и корпусе пильного полотна, что увеличивает риск перегрева и заклинивания во время резки.

ОСТОРОЖНО: Всегда надевайте защитные наушники. В некоторых условиях и во время использования шум данного инструмента может стать причиной нарушения слуха. Учитывайте следующие факторы, влияющие на уровень шума:

- используйте пильные диски с пониженным шумовыделением,
- используйте только хорошо заточенные диски, и
- используйте специальные шумоподавляющие пильные диски.

ОСТОРОЖНО: ВСЕГДА надевайте защитные очки. Обычные очки НЕ ЯВЛЯЮТСЯ защитными очками. Также используйте пылезащитную маску, если распиловка создает большое количество пыли.

ОСТОРОЖНО: Использование этого инструмента может создавать и/или выделять пыль, которая может вызвать серьезные и безвозвратные повреждения дыхательных путей и других органов.

ОСТОРОЖНО: Некоторая пыль, создаваемая в результате шлифования, распиловки, сверления и других строительных работ, содержит химические вещества, известные как канцерогенные, а также вызывающие врожденные дефекты или наносящие вред репродуктивным системам. Некоторые примеры этих химических веществ:

- свинец из свинцовых красок,
- кристаллический диоксид кремния из кирпичей, бетона и других элементов кладки, и
- мышьяк и хром из химически обработанной древесины.

Опасность контакта зависит от частоты выполнения подобных типов работ. Чтобы снизить риск контакта с данными химическими веществами: оператор и присутствующие должны работать в хорошо вентилируемом месте с использованием соответствующего защитного снаряжения, такого как респиратор для фильтрации микроскопических частиц.

• **Избегайте длительного контакта с пылью при шлифовании, распиловке, сверлении и других строительных работах.** Носите защитную одежду и промывайте открытые участки тела водой с мылом. Попадание пыли в рот, глаза или на кожу может привести к поглощению вредных химических веществ.

ОСТОРОЖНО: Использование этого инструмента может создавать и/или выделять пыль, которая может вызвать серьезные и безвозвратные повреждения дыхательных путей и других органов. Всегда используйте соответствующие средства защиты органов дыхания, подходящие для работы в условиях запыленности.

Остаточные риски

При использовании пилы присутствуют следующие риски:

- Травмы, полученные в результате касания вращающихся частей.

Несмотря на соблюдение соответствующих инструкций по технике безопасности и использование предохранительных устройств, некоторые остаточные риски невозможно полностью исключить. А именно:


- ухудшение слуха;
- несчастные случаи, происходящие в результате контакта с открытым движущимся диском пилы;
- риск получения травмы пальцев при смене диска;
- риск защемления пальцев при снятии защитного кожуха.
- ущерб здоровью в результате вдыхания пыли от распила древесины, в особенности, дуба, бука и ДВП.

Следующие факторы увеличивают риск нарушения дыхания:

- При обработке древесины не используется пылеудалющее устройство.
- Неудовлетворительное пылеудаление по причине засорившихся выхлопных фильтров.

Электробезопасность

Электродвигатель рассчитан на работу только при одном напряжении сети. Необходимо обязательно убедиться в том, что напряжение источника питания соответствует указанному на шильдике устройства. Необходимо также убедиться в том, что напряжение работы зарядного устройства соответствует напряжению в сети.

 Зарядное устройство оснащено двойной изоляцией в соответствии с требованиями EN62841; поэтому провод заземления не требуется.

В случае повреждения кабеля питания его необходимо заменить специально подготовленным кабелем, который можно приобрести в сервисных центрах.

Использование удлинительного кабеля

Используйте удлинитель только в случаях крайней необходимости. Используйте только утвержденные удлинители промышленного изготовления, рассчитанные на мощность не меньшую, чем потребляемая мощность зарядного устройства (см. **Технические характеристики**). Минимальное поперечное сечение провода электрического кабеля должно составлять 1 мм²; максимальная длина 30 м.

При использовании кабельного барабана всегда полностью разматывайте кабель.

Комплектация поставки

В комплектацию входит:

- 1 Торцовочная пила
 - 1 Шестигранный ключ 6 мм
 - 1 Пильный диск
 - 1 Мешок для сбора пыли
 - 1 Зажим для заготовки
 - 1 Руководство по эксплуатации
- Проверьте инструмент, детали и дополнительные приспособления на наличие повреждений, которые могли произойти во время транспортировки.
 - Перед началом работы необходимо внимательно прочитать настоящее руководство и принять к сведению содержащуюся в нем информацию.

Маркировка на инструменте

На инструмент нанесены следующие обозначения:

-  Перед началом работы прочтите руководство по эксплуатации.
-  Используйте защитные наушники.
-  Используйте защитные очки.
-  Держите руки подальше от ножей.
-  Видимое излучение. Не направляйте луч в глаза.

Место положения кода даты (Рис. [Fig.] A)

Код даты **35**, который также включает в себя год изготовления, отштампован на поверхности корпуса инструмента.

Пример:

2019 XX XX
Год изготовления

Описание (Рис. А)

ОСТОРОЖНО: Никогда не вносите изменения в конструкцию электроинструмента или какой-либо его части. Это может привести к повреждению или травме.

- | | | |
|--|---|--------------------------------------|
| 1 Курковый пусковой выключатель | 8 Винты шкалы угла скоса | 15 Монтажные отверстия для зажимов |
| 2 Рабочая рукоятка | 9 Выемки для захвата рукой | 16 Шестигранный ключ 6 мм |
| 3 Монтажные отверстия | 10 Подвижная направляющая | 17 Рукоятка фиксатора головки |
| 4 Нижний защитный кожух | 11 Зажимная рукоятка установки угла наклона | 18 Направляющая основания |
| 5 Зажимная рукоятка установки угла скоса | 12 Отверстие пылеотвода | 19 Вертикальный зажим материала |
| 6 Фиксатор угла скоса | 13 Ручка для переноски | 20 Фиксатор угла скоса с превышением |
| 7 Градуированная шкала угла скоса | 14 Рукоятка фиксатора направляющей | |

Сфера применения

Ваша универсальная торцовочная пила DeWALT DWS713 предназначена для профессиональных работ по распиловке древесины. При использовании соответствующих пильных дисков возможна распиловка алюминиевых профилей и пластмассы.

НЕ используйте в условиях повышенной влажности или поблизости от легковоспламеняющихся жидкостей или газов.

Данная торцовочная пила является профессиональным инструментом.

НЕ разрешайте детям прикасаться к инструменту. Использование инструмента неопытными пользователями должно происходить под контролем опытного лица.

- Данный инструмент не предназначен для использования лицами (включая детей) с ограниченными физическими, психическими и умственными возможностями, не имеющими опыта, знаний или навыков работы с ним, если они не находятся под наблюдением лица, ответственного за их безопасность. Никогда не оставляйте детей без присмотра с этим инструментом.

Технические характеристики

Привод

Электродвигатель 230 Вольт

1600 Ватт

5000 об/мин

Винтовые зубчатые колеса с фрезерованными зубьями с роликовыми и шариковыми подшипниками

Диск с твердосплавными зубьями

Автоматический электрический тормоз

Ознакомление (Рис. А, В)

Ваша торцовочная пила поставляется в полностью собранном виде. Откройте коробку и извлеките пилу с помощью ручки для переноски **13**, как показано на Рисунке В.

Установите пилу на ровную, плоскую поверхность, такую как верстак или прочный стол.

Изучите Рисунок А, чтобы ознакомиться с пилой и ее различными частями. Раздел по регулировке будет ссылаться на данные определения, поэтому вам нужно знать все части и их расположение.

ВНИМАНИЕ: Опасность защемления. Для снижения риск получения травмы, держите большой палец под рукояткой при вытягивании рукоятки вниз. При опускании рукоятки поднимается нижний защитный кожух, что может привести к защемлению пальцев. Рукоятка расположена рядом с защитным кожухом для выполнения специальных резов.

Надавите на рабочую рукоятку **2** и ослабьте рукоятку фиксатора головки **17**. Аккуратно ослабьте нажим и дайте головке подняться в крайнее верхнее положение. Используйте фиксирующий штифт при переноске пилы с места на место. Всегда используйте рукоятку для переноски **13** или выемки для захвата рукой **9** для переноски пилы, как показано на Рисунке А.

Крепление пилы на верстаке (Рис. А)

Все 4 опорные лапы имеют монтажные отверстия **3** для крепления пилы на верстаке, как показано на Рисунке А. (Имеются отверстия 2-х различных диаметров, для возможности использования винтов соответствующего диаметра. Вы можете использовать любые отверстия, нет необходимости использовать все одновременно.) Во избежание смещения пилы надежно закрепляйте ее. Для удобства, инструмент можно установить на листе фанеры толщиной 12,7 мм или более, который затем крепится на поверхность основания или может быть перенесен в другое место, а затем закреплен.

ПРИМЕЧАНИЕ: При установке пилы на лист фанеры проследите за тем, чтобы монтажные винты не выступали снизу. Фанерная панель должна ровно лежать на опоре. Во время крепления пилы к какой-либо рабочей поверхности, ее следует крепить только за выступы, на которых находятся монтажные отверстия. Крепление в любой другой точке помешает нормальной работе пилы.

ВНИМАНИЕ: Во избежание заклинивания и неточной работы, проследите за тем, чтобы монтажная поверхность была ровной. Если пила качается на поверхности, поместите тонкий кусок материала под одну из лап, так, чтобы пила была плотно закреплена на монтажной поверхности.

Транспортировка пилы (Рис. А, С)

ОСТОРОЖНО: В целях снижения риска получения серьезных травм, выключите инструмент и отсоедините его от источника питания перед тем, как его передвигать, менять дополнительные принадлежности или выполнять какую-либо регулировку.

ОСТОРОЖНО: В целях снижения риска получения серьезных травм, перед транспортировкой пилы ВСЕГДА блокируйте рукоятку установки угла скоса, рукоятку установки угла наклона, рукоятку фиксатора головки и регулировочную рукоятку направляющей.

Для удобства переноски торцовочной пилы с места на местов верхней части пильной головки имеется ручка для переноски **13**, а в основании - выемки для захвата рукой **9**, как показано на Рисунке А. Для транспортировки пилы, опустите головку и затяните рукоятку фиксатора головки **17**, как показано на Рисунке С.

СБОРКА И РЕГУЛИРОВКА

ВНИМАНИЕ: Чтобы снизить риск получения серьезных травм, выключайте инструмент и отключайте его от сети перед тем, как выполнять какие-либо настройки или снимать/устанавливать насадки или принадлежности. Случайный запуск может привести к травме.

Замена или установка нового пильного диска (Рис. D–F)

ОСТОРОЖНО: В целях снижения риска получения серьезных травм, выключите инструмент и отсоедините его от источника питания перед тем, как его передвигать, менять дополнительные принадлежности или выполнять какую-либо регулировку.

ОСТОРОЖНО: Надевайте защитные перчатки во время установки пильного диска. Опасность получения травм при прикосновении к пильному диску.

ВНИМАНИЕ:

- Никогда не нажимайте на кнопку блокировки шпинделя, если пильный диск находится в движении или под напряжением.
- Не используйте данную торцовочную пилу для резки черных металлов (с содержанием чугуна и стали), камня или изделий из волокнистого цемента.

Снятие диска

1. Отключите пилу от сети.
 2. Поднимите пильную головку в самое верхнее положение, затем поднимите нижний защитный кожух **4** на максимальную высоту.
 3. Ослабьте, но не снимайте винт кронштейна защитного кожуха **21**, пока кронштейн не удастся будет поднять достаточно высоко, чтобы добраться до винта диска. Нижний защитный кожух будет оставаться поднятым, благодаря расположению винта кронштейна.
 4. Нажмите на кнопку блокировки шпинделя **22** и осторожно поворачивайте пильный диск рукой, чтобы была задействована блокировка.
 5. Удерживая кнопку нажатой, другой рукой с помощью шестигранного ключа 6 мм **16** ослабьте винт крепления диска **24**. (Поворачивайте по часовой стрелке, левая резьба.)
 6. Удалите винт диска **24**, внешнюю прижимную шайбу диска **25** и снимите диск **26**. Внутренняя прижимная шайба диска **27** и переходник диска 25,4 мм, если таковой используется **37**, можно оставить на шпинделе.
- ПРИМЕЧАНИЕ:** Для дисков с посадочным отверстием диаметром 15,88 мм переходник диска 25,4 мм не используется.

Установка диска

1. Отключите пилу от сети.
2. С поднятой пильной головкой, открытым нижним защитным кожухом и поднятым кронштейном защитного кожуха установите пильный диск **26** на шпиндель вплотную

к внутренней прижимной шайбе диска **27**, следя за тем, чтобы зубья диска были направлены в сторону вращения диска, как отмечено на пиле.

- Установите внешнюю прижимную шайбу диска **25** на шпindel.
- Установите винт диска **24** и, при действии блокировки шпинделя, крепко затяните входящим в комплект поставки шестигранным ключом 6 мм. (Поворачивайте по часовой стрелке, левосторонняя резьба.)
- Верните кронштейн защитного кожуха в исходное положение и надежно затяните винт кронштейна **21**, чтобы надежно зафиксировать его.

ОСТОРОЖНО:

- **Перед тем, как включить пилу, необходимо вернуть в исходное положение кронштейн защитного кожуха и затянуть винт.**
- **В противном случае защитный кожух войдет в контакт с вращающимся пыльным диском, что повлечет за собой повреждение пилы и получение тяжелых травм.**

Регулировка шкалы угла скоса (Рис. А, G)

Приложите угольник к направляющей и диску пилы. (Не касайтесь угольником зубьев диска. Это приведет к неточному измерению.) Ослабьте зажимную рукоятку установки угла скоса **5** и поворачивайте консоль, пока кнопка фиксатора не зафиксируется в положении 0° угла скоса. Не блокируйте рукоятку установки угла скоса. Если пыльный диск не находится под прямым углом по отношению к направляющей на основании **18**, ослабьте три винта шкалы угла скоса **8**, крепящие шкалу угла скоса **7** к основанию, и переместите узел шкалы/консоли влево или вправо, пока диск не будет расположен перпендикулярно направляющей, согласно измерению угольником. Затяните три винта. Не обращайтесь на показания указателя угла скоса в этой точке.

Регулировка указателя шкалы угла скоса (Рис. А, H)

Разблокируйте рукоятку установки угла скоса **5**, и нажмите на фиксатор угла скоса **6**, чтобы установить консоль в положение нулевого угла. Разблокируйте рукоятку установки угла скоса, чтобы позволить фиксатору угла скоса защелкнуться на месте в момент прохождения консоли нулевой отметки. Контролируйте положение указателя **23** и шкалы угла скоса **7** через смотровое отверстие, показанное на Рисунке H. Если указатель не указывает точно на ноль, то ослабьте винт указателя, отрегулируйте указатель до 0° и затяните повторно.

Регулировка перпендикулярности диска относительно стола (Рис. I, J)

Для выравнивания пыльного диска перпендикулярно распиловочному столу заблокируйте консоль в нижнем положении. Приложите угольник к диску, убедившись, что угольник не приставлен к вершине зуба. Ослабьте рукоятку установки угла наклона **11**, чтобы иметь возможность свободно передвигать рукоятку установки угла наклона. Сдвиньте рукоятку установки угла наклона так, чтобы диск находился под наклоном 0° относительно стола. Если рукоятка установки угла наклона требует регулировки, найдите правый упор наклона, как показано на Рисунке J, и отрегулируйте стопорный винт **28** по необходимости.

Указатель угла наклона (Рис. J)

Если указатель угла наклона **30** не указывает на ноль, ослабьте винт **31**, удерживающий указатель угла наклона, и переместите в нужное положение.

РЕКОМЕНДАЦИЯ: Для большей точности, установите верхний край ровень с нулем.

Ограничитель угла наклона (Рис. А, J)

Чтобы установить ограничитель угла наклона на 45°, сначала ослабьте рукоятку фиксатора направляющей **14** и сдвиньте направляющую **10** до упора влево. Двигайте консоль влево до тех пор, пока она не упрется в левый винт ограничителя угла наклона **29**. Если указатель угла наклона не указывает точно на 45°, поверните винт вниз. Сдвиньте консоль влево и крепко затяните рукоятку установки угла наклона **11**, когда указатель угла наклона будет показывать точно на 45°. Отрегулируйте левый винт ограничителя угла наклона **29** по направлению вверх, пока он не будет плотно касаться ограничителя угла наклона.

Для установки угла наклона 3° вправо или 48° влево оба стопорных винта должны быть отрегулированы должным образом, чтобы позволить консоли двигаться в зависимости от необходимости. Ограничители угла наклона требуют повторной регулировки на положения нуля и 45° после выполнения распиловки.

Регулировка направляющей (Рис. К)

ОСТОРОЖНО: В целях снижения риска получения серьезных травм, выключите инструмент и отсоедините его от источника питания перед тем, как его передвигать, менять дополнительные принадлежности или выполнять какую-либо регулировку.

Для наклона до 48°, левую сторону направляющей можно отрегулировать влево для обеспечения зазора. Для регулировки направляющей, ослабьте рукоятку фиксатора направляющей **14** и переместите направляющую влево. Выполните холостой проход при включенной пиле и проверьте зазор. Отрегулируйте направляющую, чтобы она располагалась как можно ближе к диску и обеспечивала максимальную поддержку для обрабатываемой детали, не препятствуя перемещению головки вверх и вниз. Надежно затяните зажимную рукоятку направляющей. По завершении распила с наклоном, не забудьте сдвинуть направляющую вправо.

Приведение в действие защитного кожуха и видимость (Рис. L)

ВНИМАНИЕ: Опасность защемления. Для снижения риска получения травмы, держите большой палец под рукояткой при вытягивании рукоятки вниз. Нижний

защитный кожух сдвинется вверх по мере вытягивания рукоятки вниз, что может привести к защемлению.

Нижний защитный кожух пилы автоматически поднимается при опускании головки, и опускается при ее поднятии.

Защитный кожух можно поднять вручную при установке или снятии дисков или при проверке пилы. НЕ ПОДНИМАЙТЕ ЗАЩИТНЫЙ КОЖУХ ДИСКА ВРУЧНУЮ, НЕ ВЫКЛЮЧИВ ПРЕДВАРИТЕЛЬНО ПИЛУ.

ПРИМЕЧАНИЕ: Некоторые специальные разрезы потребуют ручного поднятия защитного кожуха. См. подраздел «Распил длинных заготовок» в разделе «Специальныерезы».

Передняя секция защитного кожуха снабжена прорезями типа жалюзи для обеспечения видимости во время распила. Несмотря на то, что жалюзийные прорези заметно сокращают количество разлетающихся обрезков, они являются открытыми отверстиями на защитном кожухе, поэтому при просмотре сквозь них всегда надевайте защитные очки.

Автоматический электрический тормоз

Данная пила оборудована автоматическим электрическим тормозом, обеспечивающим остановку диска в течение 5 секунд после выключения пилы. Это не подлежит регулировке.

Иногда возможна задержка между отпусканием куркового пускового выключателя и срабатыванием тормоза. В редких случаях возможно, что тормоз вовсе не сработает, а диск остановится после выбега.

При наличии задержки или отсутствия срабатывания, включите и выключите пилу 4 или 5 раз. Если признак неисправности не пропадет, то доставьте инструмент в авторизованный сервисный центр DEWALT для технического обслуживания.

Всегда дожидайтесь полной остановки диска перед его извлечением из пластины для пропила. Будьте предельно внимательны при обращении с инструментом: тормоз не является заменяющим элементом защитных кожухов диска и не является гарантом вашей личной безопасности.

Управление

Универсальная торцовочная пила оснащена несколькими основными органами управления, которые будут кратко рассмотрены здесь. Более подробную информацию по данным органам управления см. в соответствующих разделах далее в руководстве.

Установка угла скоса (Рис. А)

Рукоятка установки угла скоса **5** и фиксатор угла скоса **6** позволяют выполнять распил под углом 50° вправо и влево. Чтобы установить угол скоса на пиле, разблокируйте рукоятку установки угла скоса **5**, повернув ее против часовой стрелки, нажмите на фиксатор угла скоса **6** и установите нужный угол скоса на шкале скоса. Зафиксируйте рукоятку установки угла скоса, повернув ее до полной затяжки по часовой стрелке. Скорректируйте положение фиксатора угла скоса, разблокировав рукоятку установки угла скоса и нажав на фиксатор угла скоса с превышением **20**. Чтобы прекратить корректировку, переведите фиксатор угла скоса с превышением вверх.

Установка угла наклона (Рис. J)

Рукоятка установки угла наклона **11** позволяет выставлять угол наклона на пиле от 48° влево до 3° вправо. Чтобы ослабить рукоятку и отрегулировать настройку угла наклона, поверните рукоятку против часовой стрелки; это позволит легко установить угол наклона головки пилы влево. Чтобы затянуть, поверните рукоятку по часовой стрелке. Отметки угла наклона расположены снизу на передней части консоли (Рис. H).

Фиксатор головки в нижнем положении (Рис. А)

Чтобы зафиксировать головку пилы в нижнем положении, опустите головку вниз, поверните рукоятку фиксатора головки **17** на 90°, после чего подпружиненный штифт зафиксирует головку пилы и позволит ее отпустить. Это поможет зафиксировать головку и предотвратить ее смещение. Чтобы высвободить ее, вытяните рукоятку фиксатора головки и поверните ее на 90°.

ЭКСПЛУАТАЦИЯ

Инструкции по использованию

ВНИМАНИЕ: Всегда следуйте указаниям действующих норм и правил безопасности.

ВНИМАНИЕ: Чтобы снизить риск получения серьезных травм, выключайте инструмент и отключайте его от сети перед тем, как выполнять какие-либо настройки или снимать/устанавливать насадки или принадлежности. Случайный запуск может привести к травме.

Положение тела и рук (Рис. M1–M4)

ОСТОРОЖНО: Во избежание риска получения серьезных травм, ВСЕГДА используйте правильное положение рук как показано на рисунке.

ОСТОРОЖНО: Для снижения риска получения тяжелой травмы ВСЕГДА надежно удерживайте инструмент, предупреждая внезапные сбои в работе.

Правильное положение вашего тела и рук при работе с торцовочной пилой позволит распиливать детали легче, аккуратнее и безопаснее. Никогда не держите руки в зоне распила. Не подносите руки к диску ближе, чем на 152 мм. Прижимайте заготовку к столу и направляющей во время распиловки. Держите руки в этом положении до тех пор, пока не отпустите выключатель и диск полностью не остановится. ВСЕГДА ВЫПОЛНЯЙТЕ ПРОБНЫЕ ПРОГОНЫ (БЕЗ НАГРУЗКИ) ДО ТОГО, КАК ВЫПОЛНИТЬ РАСПИЛ, ЧТОБЫ ПРОВЕРИТЬ ХОД ПЫЛЬНОГО ДИСКА. ЗАПРЕЩАЕТСЯ СКРЕЩИВАТЬ РУКИ, КАК ПОКАЗАНО НА РИСУНКЕ M3.

Твердо упирайтесь обеими ногами в пол, чтобы сохранять надлежащий баланс. По мере перемещения рукоятки установки угла скоса вправо или влево, следуйте за ним, держа в стороне от пильного диска. Следуя линии, проведенной карандашом, смотрите через прорези защитного кожуха.

Курковый пусковой выключатель (Рис. N)

Чтобы включить пилу, передвиньте рычаг блокировки пускового выключателя **32** влево и нажмите на курковый пусковой выключатель **1**. Пила будет работать, пока нажат выключатель. Перед тем, как начать распил, дождитесь, пока пильный диск не разгонится до максимальной скорости. Чтобы выключить пилу, отпустите выключатель. Позвольте диску остановиться перед тем, как поднять головку пилы. Зафиксировать выключатель во включенном положении невозможно. В выключателе имеется отверстие **33**, позволяющее с помощью навесного замка блокировать выключатель в выключенном положении.

Всегда дожидайтесь полной остановки диска перед его извлечением из пластины для пропила.

Система пылеудаления (Рис. O)

ОСТОРОЖНО: Чтобы снизить риск получения серьезных травм, выключайте инструмент и отключайте его от сети перед транспортировкой, выполнением какой-либо регулировки или снятия/установки насадок или принадлежностей. Случайный запуск может привести к травме.

ОСТОРОЖНО: Некоторые виды древесной пыли, например, дуба или бука, являются канцерогенными, особенно в сочетании с добавками для пропитки древесины.

- Всегда используйте систему пылеудаления.
- Обеспечьте хорошую вентиляцию рабочего пространства.
- Рекомендуется носить респиратор соответствующего типа.

ВНИМАНИЕ: Никогда не работайте данной пилой без установленного пылесборника или подсоединенного устройства пылеудаления DEWALT. Древесная пыль может представлять опасность для органов дыхания.

ВНИМАНИЕ: Проверяйте и очищайте мешок для сбора пыли после каждого использования.

ОСТОРОЖНО: При распиловке алюминия, снимайте мешок для сбора пыли во избежание риска воспламенения.

Ваша торцовочная пила оборудована встроенным отверстием пылеотвода **12**, позволяющим установить входящий в комплект поставки мешок для сбора пыли **34**, стандартный переходник для пылесоса диаметром 35 мм или подсоединить промышленный пылесос, используя систему AirLock (DWV9000-XJ).

Соблюдайте соответствующие законодательные нормы, принятые в стране эксплуатации, при выборе рабочих материалов.

Установка мешка для сбора пыли

1. Установите мешок для сбора пыли **34** на отверстие пылеотвода **12**, как показано на Рисунке O.

Опорожнение мешка для сбора пыли

1. Снимите мешок для сбора пыли **34** с пилы и аккуратно встряхните или постучите по нему, чтобы опорожнить его.
2. Снова установите мешок для сбора пыли на отверстие пылеотвода **12**.

Вы можете заметить, что при опорожнении из пылесборника выходит не вся пыль. Это никак не повлияет на режущую производительность пилы, но значительно снизит эффективность сбора пыли. Чтобы пылеудаление стало вновь эффективным, при опорожнении нажмите на пружину внутри пылесборника и постучите им о край мусорного контейнера.

Внешняя система пылеудаления (Рис. O)

Сбор сухой пыли может быть особенно вредным для здоровья и иметь канцерогенное действие, поэтому необходимо использовать специальный пылесос класса M.

Подсоединение к пылесосу, совместимому с AirLock (Рис. O)

Отверстие пылеотвода **12** на вашей торцовочной пиле совместимо с соединительной системой DEWALT AirLock. Система AirLock обеспечивает быстрое и надежное соединение между шлангом пылесоса **38** и торцовочной пилой.

1. Убедитесь в том, что соединитель AirLock **39** находится в положении разблокировки. (См. Рисунок O). Совместите кнопки **40** на муфте с соединителем AirLock, как показано на рисунке с изображением блокировки и разблокировки.
2. Вставьте соединитель AirLock в отверстие пылеотвода **12**.
3. Поверните муфту в положение блокировки.

ПРИМЕЧАНИЕ: Шарикоподшипники внутри муфты фиксируются в прорези, обеспечивая плотность соединения. Теперь электроинструмент надежно подсоединен к пылесосу.

Работа пилой

ПРИМЕЧАНИЕ: Несмотря на то, что данная пила может использоваться для распиловки древесины и большинства цветных металлов, в этой инструкции по эксплуатации рассматривается распиловка только древесины. Эти же правила распространяются на другие материалы. **НЕ ИСПОЛЬЗУЙТЕ ЭТУ ПИЛУ ДЛЯ РЕЗКИ ЧЕРНЫХ МЕТАЛЛОВ (ЖЕЛЕЗА И СТАЛИ) ИЛИ КАМЕННОЙ КЛАДКИ.** Не используйте абразивные диски.

Поперечные распилы (Рис. N)

Распил нескольких заготовок одновременно не рекомендуется, однако, это можно выполнить безопасным способом, крепко прижимая каждую из заготовок к столу и

направляющей. Поперечный распил выполняется путем реза древесины вдоль волокон и под любым углом. Прямой поперечный распил выполняется при установке пильной головки в нулевое положение. Установите пильную головку на ноль и крепко прижмите заготовку к столу и направляющей. Включите пилу, нажав на курковый пусковой выключатель, как показано на Рисунке N.

Когда пильный диск разгонится до необходимой скорости (примерно через 1 секунду), медленно опустите головку вниз, прорезая заготовку. **Прежде, чем поднять пильную головку, всегда следите за тем, чтобы диск полностью остановился.**

ВНИМАНИЕ: Всегда используйте зажимы для контроля над заготовкой и уменьшения риска получения травмы и повреждения заготовки.

Поперечный распил со скосом выполняется при установке пильной головки под любым углом, кроме нулевой отметки. Наиболее часто используется угол распила 45° для создания углов на заготовках, однако можно выставить любой угол в диапазоне от нуля до 50° влево или вправо. Выбрав нужный угол скоса, убедитесь, что рукоятка установки угла скоса затянута. Выполните рез, как было описано выше.

Чтобы сделать распил вдоль карандашной линии на деревянной заготовке, старайтесь максимально точно соблюдать угол скоса. Обрежьте заготовку немного длиннее нужного и измерьте расстояние от карандашной линии до отрезного края, чтобы определить, в каком направлении стоит отрегулировать угол скоса и повторить рез. Этот метод требует некоторой практики, но является широко распространенным.

Резы с наклоном (Рис. A)

Рез с наклоном - это поперечный рез, выполненный пильным диском под наклоном к заготовке. Чтобы установить угол наклона, ослабьте рукоятку установки угла наклона **11** и сдвиньте пилу влево по необходимости. (Левую сторону направляющей потребуются сдвинуть влево, чтобы обеспечить зазор). Как только нужный угол наклона будет достигнут, крепко затяните рукоятку установки угла наклона.

Углы наклона можно установить в диапазоне от 3° влево до 48° вправо и отрез можно будет сделать с рукояткой установки угла скоса, установленной на значения от нуля 50° вправо или влево. Убедитесь, что соответствующим образом отрегулировали направляющую. При выполнении реза с наклоном влево или комбинации косых резов вправо, регулирующую направляющую понадобится снять.

Качество распила

Чистота любого среза зависит от ряда факторов, например, от материала распиливаемой заготовки, типа пильного диска, степени заточенности диска и скорости пиления.

Когда необходимо получить более чистый срез для особо точной работы, необходимо использовать острый пильный диск (с 60–80 твердосплавными зубьями) и применять более медленную подачу при резании.

Убедитесь, что материал не сползает во время резки. Надежно зафиксируйте его на месте зажимами. Прежде чем поднять пильную головку, всегда следите за тем, чтобы диск полностью остановился.

Если от концевой части обрабатываемой заготовки отщепляются небольшие волокна, наклейте на древесину в области распила полоску липкой ленты. Выполните рез сквозь ленту и тщательно удалите ленту, когда распил будет завершен.

При выполнении распилов различного типа ознакомьтесь со списком пильных дисков, рекомендованных к использованию с вашей пилой, и выберите диск, наиболее подходящий для конкретной операции. См. подраздел «**Пильные диски**» в разделе «**Дополнительные принадлежности**», чтобы выбрать правильный диск.

Зажим заготовки

ОСТОРОЖНО: В целях снижения риска получения серьезных травм, выключите инструмент и отсоедините его от источника питания перед тем, как его передвигать, менять дополнительные принадлежности или выполнять какую-либо регулировку.

ОСТОРОЖНО: Закрепленная и выравненная заготовка после распила может потерять устойчивость. А нагрузка, приложенная к неустойчивой детали может перевернуть пилу или то, на что она установлена, например, стол или верстак. Если есть вероятность того, что заготовка в ходе распила может потерять устойчивость, хорошо закрепите заготовку и убедитесь в том, что пила хорошо закреплена болтами на устойчивой поверхности. Опасность травм.

ОСТОРОЖНО: Каждый раз при использовании зажима ножка зажима всегда должна упираться в основание пилы. Всегда закрепляйте заготовку только на основании пилы, и больше ни на каком другом месте рабочей зоны. Убедитесь, что ножка зажима не упирается в край основания пилы.

ВНИМАНИЕ: Всегда используйте зажимы для контроля над заготовкой и уменьшения риска получения травмы и повреждения заготовки.

Если невозможно прижимать заготовку к столу и направляющей рукой (неправильная форма заготовки и пр.), или при удержании заготовки ваши руки оказываются ближе, чем в 100 мм от пильного диска, необходимо использовать струбцины или другие зажимные устройства.

Наилучшие результаты достигаются при использовании зажимов, поставляемых в комплекте с пилой.

В зависимости от размера и формы заготовки можно также использовать вспомогательные средства, такие как пружинные зажимы, прижимные планки или зажимные скобы. Подходите к выбору и установке зажимов со всей ответственностью. Выполните холостой прогон перед началом резки. Левую направляющую можно сдвигать из стороны в сторону для удобства крепления.

Установка зажимов (Рис. A)

1. Вставьте зажим в одно из четырех мест **15** на основании.
2. Поднимите рычаг зажима, чтобы быстро отрегулировать высоту, затем используйте регулятор точной регулировки, чтобы крепко зажать заготовку.

ПРИМЕЧАНИЕ: При выполнении резов с наклоном устанавливайте зажим на противоположной стороне основания. ВСЕГДА ВЫПОЛНЯЙТЕ ПРОБНЫЕ ПРОГОНЫ (БЕЗ НАГРУЗКИ) ДО ТОГО, КАК ВЫПОЛНИТЬ РАЗРЕЗ, ЧТОБЫ ПРОВЕРИТЬ ХОД ПИЛЬНОГО ДИСКА. УБЕДИТЕСЬ В ТОМ, ЧТО ЗАЖИМ НЕ МЕШАЕТ РАБОТЕ ПИЛЫ ИЛИ ЗАЩИТНОГО КОЖУХА.

Опора для длинных заготовок

⚠ ОСТОРОЖНО: В целях снижения риска получения серьезных травм, выключите инструмент и отсоедините его от источника питания перед тем, как его передвигать, менять дополнительные принадлежности или выполнять какую-либо регулировку.

ВСЕГДА ИСПОЛЬЗУЙТЕ ОПОРУ ДЛЯ ДЛИННЫХ ЗАГОТОВОК.

Никогда не используйте другого человека в качестве замены раздвижного стола или другой дополнительной опоры для заготовок, длина или ширина которых превышает размеры основного распиловочного стола, для подачи, поддержки или подталкивания заготовки.

Для достижения наилучших результатов используйте рабочие столы для торцовочных пил DWX723, DE7260 и DE7033, чтобы увеличить ширину стола. Их можно приобрести у вашего продавца отдельно.

Для поддержки длинных заготовок используйте любые удобные приспособления, такие как пильные козлы или подобные им устройства, препятствующие выступу длинных концов.

Изготовление картинных рам, ящиков для рассады и прочих четырехсторонних конструкций (Рис. P)

Чтобы лучше понять, как изготавливаются описанные конструкции, мы рекомендуем вам для начала выполнить несколько простых изделий из отходов древесины, чтобы почувствовать уверенность при управлении пилой.

Ваша пила является идеальным инструментом для выполнения угловых соединений наподобие тех, которые изображены на Рисунке P. Изображение A на Рисунке P показывает соединение, изготовленное путем установки рукоятки угла наклона на 45° для пиления с наклоном двух панелей с целью формирования угла 90°. Для выполнения данного типа соединения рукоятка угла скоса блокируется в положении 0°, а рукоятку угла наклона – в положении 45°. Деревянная заготовка располагается широкой стороной на плоскости стола и узкой стороной вплотную к направляющей. Тот же самый разрез может быть выполнен путем скашивания вправо и влево при заготовке, прижатой широкой стороной вплотную к направляющей.

Распил профилей плинтусов и прочих рам (Рис. P)

Изображение B на Рисунке P показывает соединение, изготовленное путем установки рукоятки угла скоса на 45° для пиления со скосом двух панелей с целью формирования угла 90°. Для выполнения данного типа соединения установите рукоятку угла наклона на 0°, а рукоятку угла скоса – на 45°. Расположите деревянную заготовку широкой стороной на плоскости стола и узкой стороной вплотную к направляющей.

Оба изображения на Рисунке P относятся только к четырехсторонним конструкциям.

При изменении числа сторон, угол скоса и угол наклона также изменяется. В приведенной ниже таблице указаны правильные углы для разнообразных конфигураций изделий. Данные таблицы даны для изделий, все стороны которых имеют одинаковую длину. Чтобы получить форму соединения, которая не приведена в таблице, используйте следующую формулу. 180°, поделенный на число сторон, равен углу скоса или наклона.

ПРИМЕРЫ

Число сторон	Угол скоса или наклона
4	45°
5	36°
6	30°
7	25,7°
8	22,5°
9	20°
10	18°

Комбинированное пиление (Рис. Q, R)

Комбинированное пиление - это одновременное пиление со скосом и с наклоном. Этот тип резки используется для изготовления рам или коробок с наклонными сторонами наподобие той, что изображена на Рисунке Q.

ПРИМЕЧАНИЕ: Если угол резки изменяется при каждом новом распиле, убедитесь, что рукоятки установки угла скоса и угла наклона надежно затянуты. Их необходимо затягивать после выполнения любых изменений угла наклона или скоса.

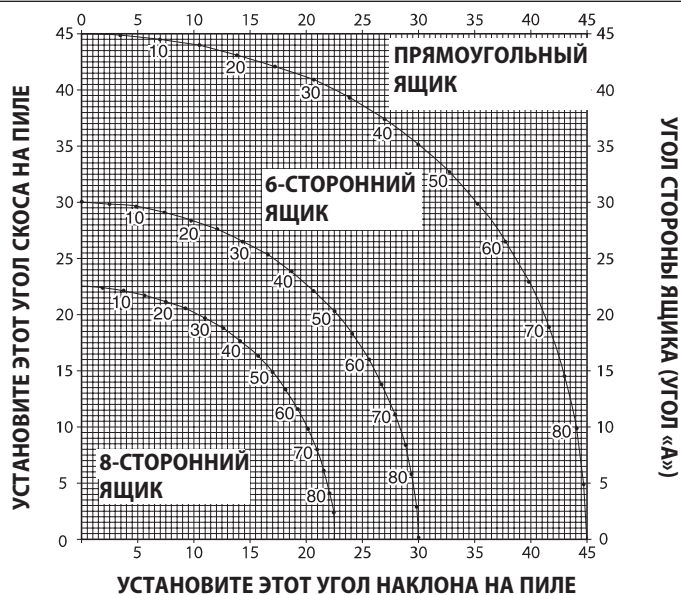
Приведенная ниже диаграмма (Таблица 1) поможет выбрать правильный угол наклона и угол скоса для комбинированного пиления. Выберите необходимый для вашего изделия угол «А» (Рисунок R) и поместите этот угол на соответствующую кривую диаграммы. Из этой точки опустите вниз перпендикулярную линию для определения правильного угла наклона и горизонтальную линию для определения правильного угла скоса.

Установите на пиле указанные углы и выполните несколько пробных разрезов.

Попрактикуйтесь в совмещении вырезанных деталей до тех пор, пока не освоитесь с данной процедурой.

ПРИМЕР: Чтобы сделать ящик с 4 сторонами с внешними углами в 26° (угол A, Рисунок R), используйте верхнюю правую кривую. Найдите метку 26° на кривой диаграммы.

Проведите горизонтальную линию до любой из сторон для определения угла скоса, который следует установить на пиле (42°). Таким же образом проведите вертикальную линию до нижнего или верхнего края для определения угла наклона, который следует установить на пиле (18°). Всегда выполняйте пробные разрезы на нескольких обрезках дерева для проверки настроек пилы.



Шкала угла скоса (Рис. А)

Шкала угла скоса **7** используется для расчета углов. Чтобы правильно рассчитать угол скоса, разделите 180° на число сторон в ящике или раме. См. **Примеры.**

При установке правого угла скоса

Чтобы увеличить угол скоса вправо, передвиньте рукоятку, чтобы необходимая риска верньера совместилась с ближайшей последующей риской градуированной шкалы угла скоса с правой стороны. Чтобы уменьшить угол скоса вправо, передвиньте рукоятку, чтобы необходимая риска верньера совместилась с ближайшей последующей риской градуированной шкалы угла скоса с левой стороны.

При установке левого угла скоса

Чтобы увеличить угол скоса влево, передвиньте рукоятку, чтобы необходимая риска верньера совместилась с ближайшей последующей риской градуированной шкалы угла скоса с левой стороны. Чтобы уменьшить угол скоса влево, передвиньте рукоятку, чтобы необходимая риска верньера совместилась с ближайшей последующей риской градуированной шкалы угла скоса с правой стороны.

Пиление профилей плинтусов

КАЖДЫЙ РАЗ ПЕРЕД ПИЛЕНИЕМ ДЕЛАЙТЕ ПРОБНЫЙ РЕЗ, НЕ ВКЛЮЧАЯ ЭЛЕКТРОПИЛУ.

Прямой распил под углом 90° (Рис. S)

Прижмите заготовку к направляющей, как показано на Рисунке S. Включите пилу, дождитесь, пока диск разгонится до максимальной скорости и медленно опустите головку, выполняя распил.

Пиление профилей плинтусов высотой до 89 мм вертикально к направляющей (Рис. L, S)

Расположите плинтус, как показано на Рисунке S.

При распиле плинтус должен лежать нижней стороной на основании, а задней стороной вплотную к направляющей.

	Внутренний угол	Внешний угол
Левая сторона	1. Скос влево 45° 2. Сохраняйте левую сторону распила	1. Скос вправо 45° 2. Сохраняйте левую сторону распила
Правая сторона	1. Скос вправо 45° 2. Сохраняйте правую сторону распила	1. Скос влево 45° 2. Сохраняйте правую сторону распила

Для заготовки, размер которой не превышает 89 мм, распил осуществляется так, как описано выше. Для более широких досок [шириной до 108 мм], необходимо сделать несколько мелких допущений.

При распиле досок шириной от 89 мм до 108 мм, ролик в верхней части защитного кожуха может зацепиться за заготовку. Если это произойдет, положите большой палец правой руки на верхнюю часть защитного кожуха и потяните его вверх, чтобы создалось достаточное пространство для заготовки, как показано на Рисунке L. Как только вы высвободите заготовку, вы можете отпустить защитный кожух, и он продолжит открываться по мере хода распила.

При выполнении резки со скосом вправо на профиле плинтуса шириной больше 89 мм, вертикально прислоненного к направляющей, как показано на Рисунке U, пила сможет пройти только через 1 дюйм доски от ее края. Попытка выполнить пропил глубже дюйма не удастся, так как корпус редуктора пилы будет мешать заготовке. Если вы хотите распилить профиль плинтуса шириной от 89 до 108 мм вертикально, то следуйте инструкциям ниже.

Пиление профилей плинтусов 89–108 мм вертикально к направляющей (Рис. S)

- Расположите плинтус, как показано на Рисунке S.

- Все разрезы должны выполняться на плинтусе, прислоненном к направляющей задней частью.

	Внутренний угол	Внешний угол
Левая сторона*	1. Расположите плинтус нижней частью к основанию пилы. 2. Скос влево 45° 3. Сохраняйте левую сторону распила	1. Расположите плинтус нижней частью к основанию пилы. 2. Скос вправо 45° 3. Сохраняйте левую сторону распила
Правая сторона	1. Расположите плинтус нижней частью на основании пилы. 2. Скос вправо 45° 3. Сохраняйте правую сторону распила	1. Расположите плинтус нижней частью к основанию пилы. 2. Скос влево 45° 3. Сохраняйте правую сторону распила

* ПРИМЕЧАНИЕ: Если распил нужно выполнить где-либо, кроме как на расстоянии в 1 дюйм от конца плинтуса: отрежьте плинтус под углом 90° примерно на 25,4 мм длиннее окончательной длины, затем выполните распил со скосом, как описано выше.

Другим методом выполнения распила является выполнение косого среза под нулевым углом, с наклоном 45°. Ваша пила может делать резы с наклоном шириной до 158 мм.

Пиление профилей плинтусов, лежащих горизонтально, при помощи функции реза с наклоном

- Все распилы выполняются, установив пилу на угол наклона 45° и угол скоса 0.
- Все распилы выполняются, положив плинтус задней стороной на пилу.
- Сдвиньте левую сторону направляющей в сторону от диска, прежде чем начать работу.

	Внутренний угол	Внешний угол
Левая сторона	1. Расположите плинтус верхней частью к направляющей 2. Сохраняйте левую сторону распила	1. Расположите плинтус нижней частью к направляющей 2. Сохраняйте левую сторону распила
Правая сторона	1. Расположите плинтус нижней частью к направляющей линейке. 2. Сохраняйте правую сторону распила	1. Расположите плинтус верхней частью к направляющей 2. Сохраняйте правую сторону распила

Пиление потолочных плинтусов

Ваша торцовочная пила идеально подходит для пиления потолочных плинтусов. Для получения правильного соединения всех частей пиление потолочных плинтусов комбинированным методом требует соблюдения повышенной точности.

Две плоские поверхности данного отрезка потолочного плинтуса должны иметь такие углы среза, чтобы при их соединении получился угол точно 90°. У большинства (но не у всех) потолочных плинтусов верхняя задняя секция (прилегающая к потолку) имеет угол 52°, а нижняя задняя секция (прилегающая к стене) имеет угол 38°.

Ваша торцовочная пила имеет предварительно установленный угол скоса 31,6° влево и вправо для пиления потолочных плинтусов под правильным углом. Также на градуированной шкале угла наклона имеется отметка 33,85°.

В таблице «Установка угла наклона/Тип реза» приведены правильные настройки для пиления потолочных плинтусов. (Для установки угла скоса и угла наклона даны приблизительные значения, которые не обязательны для соблюдения при настройке вашей пилы.) Так как в большинстве помещений идеальные углы в 90° отсутствуют, вам все равно придется тщательно регулировать ваши настройки.

ОЧЕНЬ ВАЖНО ПРОИЗВЕСТИ ПРОБНЫЕ РЕЗЫ НА ОБРЕЗКАХ МАТЕРИАЛА!

Пиление потолочных плинтусов, уложенных горизонтально, с применением метода комбинированного распила (Рис. Т)

1. Сдвиньте направляющую 10 в сторону от диска, прежде чем начать работу.
2. Потолочный плинтус должен горизонтально лежать широкой задней поверхностью на распиловочном столе 36 (Рис. Т).

УСТАНОВКА УГЛА НАКЛОНА	ТИП РЕЗА
33,9°	ЛЕВАЯ СТОРОНА, ВНУТРЕННИЙ УГОЛ 1. Верхняя сторона плинтуса прижата к направляющей 2. Угол скоса установлен вправо на 31,6°. 3. Сохраняйте левый конец распила
	ПРАВАЯ СТОРОНА, ВНУТРЕННИЙ УГОЛ 1. Нижняя сторона плинтуса прижата к направляющей 2. Угол скоса установлен влево на 31,6°. 3. Сохраняйте левый конец распила
	ЛЕВАЯ СТОРОНА, ВНЕШНИЙ УГОЛ 1. Нижняя сторона плинтуса прижата к направляющей 2. Угол скоса установлен влево на 31,6°. 3. Сохраняйте правый конец распила
33,9°	ПРАВАЯ СТОРОНА, ВНЕШНИЙ УГОЛ 1. Верхняя сторона плинтуса прижата к направляющей 2. Угол скоса установлен вправо на 31,6°. 3. Сохраняйте правый конец распила

При установке углов наклона и скоса для комбинированных распилов, учитывайте следующее:

Углы потолочных плинтусов требуют повышенной точности, соблюсти которую при настройке чрезвычайно сложно. Поскольку лишь небольшое количество помещений имеют углы между стеной и потолком точно 90°, настройки каждый раз могут слегка изменяться, поэтому всегда проверяйте правильность настроек на обрезках материала.

ОЧЕНЬ ВАЖНО ПРОИЗВЕСТИ ПРОБНЫЕ РЕЗЫ НА ОБРЕЗКАХ МАТЕРИАЛА!

Альтернативный способ пиления потолочных плинтусов (Рис. U)

Положите плинтус на стол под углом между подвижной направляющей 10 и распиловочным столом 36, как показано на Рисунке U. Крайне рекомендуется использование специальной направляющей для плинтусов (DW7084) из-за ее точности и удобства. Специальную направляющую для плинтусов можно приобрести у вашего продавца.

Преимуществом данного метода при пилении потолочных плинтусов является отсутствие необходимости в пилении с наклоном. Небольшие изменения угла скоса могут выполняться без воздействия на угол наклона. Таким образом, если необходимо использование углов, которые не соответствуют 90°, пилу можно легко и быстро настроить для такого применения. Используйте специальную направляющую для плинтусов (DW7084) для сохранения угла, под которым плинтус будет устанавливаться на стену.

Инструкции по пилению потолочных плинтусов, расположенных под углом между направляющей и основанием пилы, с применением всех видов резки (Рис. U)

1. Расположите потолочный плинтус таким образом, чтобы его нижняя часть (которая впоследствии прижимается к стене) уперлась в направляющую, а верхняя часть располагалась на основании пилы, как показано на Рисунке U.
2. Находящиеся под углом плоские поверхности должны плотно и под прямым углом прилегать к направляющей и основанию пилы.

	Внутренний угол	Внешний угол
Левая сторона	1. Скос вправо 45° 2. Сохраняйте правую сторону распила	1. Скос влево 45° 2. Сохраняйте правую сторону распила
Правая сторона	1. Скос влево 45° 2. Сохраняйте левую сторону распила	1. Скос вправо 45° 2. Сохраняйте левую сторону распила

Специальные резы

НИКОГДА НЕ ПРОИЗВОДИТЕ ПИЛЕНИЕ, ЕСЛИ МАТЕРИАЛ НЕ ЗАКРЕПЛЕН НА СТОЛЕ И ВПЛОТНУЮ К НАПРАВЛЯЮЩЕЙ.

Пиление алюминия (Рис. A, V, W)

ВСЕГДА ИСПОЛЬЗУЙТЕ СООТВЕТСТВУЮЩИЕ ПИЛЬНЫЕ ДИСКИ, ПРЕДНАЗНАЧЕННЫЕ ДЛЯ ПИЛЕНИЯ АЛЮМИНИЯ. Их можно приобрести у вашего продавца DeWALT или в сервисном центре DeWALT. Некоторые заготовки, в силу их размера, формы или обработки поверхности, необходимо плотно прижимать с помощью зажимов, чтобы избежать смещения во время разреза. Расположите материал таким образом, чтобы пиление происходило в месте наиболее тонкого поперечного сечения, как показано на Рисунке V. На Рисунке W показан неправильный способ резки данных выступающих частей. При пилении алюминиевых заготовок обязательно используйте смазочный воск. Перед тем как начать распил обязательно нанесите смазочный воск непосредственно на пильный диск 26. Категорически запрещается наносить смазочный воск на движущийся пильный диск.

Смазочный воск, приобретаемый в большинстве магазинов стройматериалов и промышленных снабженческих домах, обеспечивает должную смазку и не дает обрезкам приставать к диску.

Обязательно закрепите заготовку должным образом. См. подраздел «Пильные диски» в разделе «Дополнительные принадлежности», чтобы выбрать правильный диск.

Заготовки изогнутой формы (Рис. X, Y)

При распиловке заготовок изогнутой формы всегда располагайте их, как показано на Рисунке X, и никогда не кладите, как показано на Рисунке Y. Неправильное расположение заготовки может явиться причиной защемления лезвия пильного диска до завершения реза.

Распил пластиковых труб и прочих круглых профилей

С помощью данной пилы можно с легкостью разрезать пластиковые трубы. Распиловка труб выполняется таким же образом, что и распиловка древесины, А МАТЕРИАЛ ДОЛЖЕН БЫТЬ ЗАФИКСИРОВАН ИЛИ ПЛОТНО ПРИЖАТ К НАПРАВЛЯЮЩЕЙ ВО ИЗБЕЖАНИЕ ЕГО ПЕРЕКАТЫВАНИЯ. Это очень важно иметь в виду при выполнении разрезов под углом.

Распиловка длинных заготовок (Рис. L)

Иногда деревянная заготовка может быть слишком длинной для того, чтобы поместиться под нижним защитным кожухом диска. Дополнительной высоты можно добиться путем смещения защитного кожуха в сторону, как показано на Рисунке L. Используйте этот прием только в случаях острой необходимости; пила будет работать в обычном режиме и сможет выполнить более крупный разрез. НИКОГДА НЕ ПРИВЯЗЫВАЙТЕ, НЕ ЗАКЛЕИВАЙТЕ ЛИПКОЙ ЛЕНТОЙ И НЕ УДЕРЖИВАЙТЕ КАКИМ-ЛИБО ДРУГИМ СПОСОБОМ ЗАЩИТНЫЙ КОЖУХ ОТКРЫТЫМ ВО ВРЕМЯ РАБОТЫ ПИЛЫ.

ТЕХНИЧЕСКОЕ ОБСЛУЖИВАНИЕ

Электроинструмент имеет длительный срок эксплуатации и требует минимальных затрат на техобслуживание. Для длительной безотказной работы необходимо обеспечить правильный уход за инструментом и его регулярную очистку.

ВНИМАНИЕ: Чтобы снизить риск получения серьезных травм, выключайте инструмент и отключайте его от сети перед тем, как выполнять какие-либо настройки или снимать/устанавливать насадки или принадлежности. Убедитесь, что курковый переключатель находится в положении ВЫКЛ. Непреднамеренный запуск инструмента может привести к получению травмы.

НЕ ИСПОЛЬЗУЙТЕ смазочные или чистящие вещества (в частности, спрей или аэрозоль) в непосредственной близости от пластикового защитного кожуха. Поликарбонат, используемый в материале защитного кожуха, может повредиться под воздействием некоторых химических веществ.

1. Все подшипники являются герметичными. Они смазаны на весь срок эксплуатации и не требуют технического обслуживания.
2. Регулярно очищайте участки вокруг И ПОД основанием и поворотным столом от пыли и опилок. Несмотря на наличие отверстий для вывода мусора, некоторое количество пыли все равно будет скапливаться внутри.
3. Щетки рассчитаны на несколько лет эксплуатации. Для замены щеток, сдайте инструмент в ближайший сервисный центр на ремонт. В комплекте с вашим инструментом приложен список сервисных центров.



Смазка

Ваш электроинструмент не требует дополнительной смазки.



Чистка

ВНИМАНИЕ: Выдувайте грязь и пыль из корпуса сухим сжатым воздухом по мере видимого скопления грязи внутри и вокруг вентиляционных отверстий. Выполняйте очистку, надев средство защиты глаз и респиратор утвержденного типа.

ВНИМАНИЕ: Никогда не используйте растворители или другие агрессивные химические средства для очистки неметаллических деталей инструмента. Эти химикаты могут ухудшить свойства материалов, примененных в данных деталях. Используйте ткань, смоченную в воде с мягким мылом. Не допускайте попадания какой-либо жидкости внутрь инструмента; ни в коем случае не погружайте какую-либо часть инструмента в жидкость.

Дополнительные принадлежности

ВНИМАНИЕ: Поскольку принадлежности, отличные от тех, которые предлагает DEWALT, не проходили тесты на данном изделии, то использование этих принадлежностей может привести к опасной ситуации. Во избежание риска получения травмы, с данным продуктом должны использоваться только рекомендованные DEWALT дополнительные принадлежности.

По вопросу приобретения дополнительных принадлежностей обращайтесь к Вашему дилеру.

Следующие дополнительные принадлежности для данной пилы могут быть для вас полезны. В некоторых случаях допустимо использование столов, ограничителей и зажимов от сторонних производителей. Подходите к выбору и использованию принадлежностей со всей ответственностью.

Регулируемый упор по длине: DW7051

Требует использования опоры для одной заготовки. Используется для выполнения однотипных распилов одной длины от 0 до 107 см.

Зажим: DW7082

Используется для надежного закрепления заготовки на направляющей для точности распилов.

Мешок для сбора пыли: DW7053

Включен с некоторыми моделями

Данный мешок собирает большую часть производимой во время пиления пыли и оснащен застежкой-молнией для удобного опорожнения.

Направляющая для потолочных плинтусов: DW7084

Используется для точных распилов потолочных плинтусов.

Подставки для торцовочной пилы: DWX723, DE7260, DE7033

Обеспечивает устойчивую и точную поверхность для работы с торцовочными пилами.

Пильные диски

ВСЕГДА ИСПОЛЬЗУЙТЕ ТОЛЬКО ПИЛЬНЫЕ ДИСКИ ДИАМЕТРОМ 254 мм С ПОСАДОЧНЫМ ОТВЕРСТИЕМ ДИАМЕТРОМ 16 мм. СКОРОСТЬ ВРАЩЕНИЯ ДИСКА ДОЛЖНА БЫТЬ НЕ МЕНЕЕ 5500 об/мин. Никогда не используйте диски меньшего диаметра. Они не будут надежно закрываться защитным кожухом. Используйте только пильные диски для поперечного распила! Не используйте пильные диски, предназначенные для продольной распиловки, комбинированные диски или диски, угол зубьев которых превышает 7°.

ТИПЫ ПИЛЬНЫХ ДИСКОВ		
ПРИМЕНЕНИЕ	ДИАМЕТР	ЗУБЬЯ
Пильные диски для строительных материалов (сверхтонкие с антипригарной кромкой)		
Универсальный	254 мм	40
Точные поперечные распилы	254 мм	60
Пильные диски по дереву (гладкий, чистый рез)		
Точные поперечные распилы	254 мм	80
Цветные металлы	254 мм	80
ПРИМЕЧАНИЕ. Для резки цветных металлов, используйте только предназначенные для этой цели пильные диски с зубьями TCG		

Защита окружающей среды



Отдельная утилизация. Изделия с данным символом на маркировке запрещается утилизировать с обычными бытовыми отходами.

Изделия содержат материалы, которые могут быть извлечены или переработаны, снижая потребность в исходном сырье. Пожалуйста, утилизируйте электрические изделия в соответствии с местными нормами. Дополнительная информация доступна по адресу www.2helpU.com.

Руководство по поиску и устранению неисправностей
СЛЕДУЙТЕ ПРАВИЛАМ И ИНСТРУКЦИЯМ ТЕХНИКИ БЕЗОПАСНОСТИ

ПРОБЛЕМА!	ПРИЗНАК НЕИСПРАВНОСТИ	МЕРЫ УСТРАНЕНИЯ
Пила не включается	Пила не включена в сеть	Включите пилу в сеть.
	Перегоревший предохранитель или сработавший прерыватель	Замените предохранитель или верните прерыватель в исходное положение.
	Поврежден кабель питания	Замените кабель в авторизованном сервисном центре.
Неудовлетворительное качество резки	Щетки изношены	Замените щетки в авторизованном сервисном центре или замените их самостоятельно.
	Затупился диск	Замените диск. См. раздел «Замена и установка нового пильного диска» .
	Диск установлен задом наперед	Переверните диск. См. раздел «Замена и установка нового пильного диска» .
	Камедь или смола на диске	Снимите и диск и прочистите его скипидаром и грубой стальной мочалкой или чистящим средством для духовых шкафов.
Диск не разгоняется до полной скорости	Неправильный диск для типа выполняемых работ	Смените тип диска. См. подраздел «Пильные диски» в разделе «Дополнительные принадлежности» .
	Слишком легкий или слишком длинный удлинительный кабель	Замените на кабель соответствующего размера. См. раздел «Дополнительные правила техники безопасности для торцовочных пил» .
	Низкое напряжение в помещении	Свяжитесь со своей электроэнергетической компанией.
Чрезмерная вибрация машины	Пила недостаточно крепко смонтирована на столе или верстаке	Затяните все фиксаторы. См. раздел «Крепление пилы на верстаке» .
	Стол или верстак стоят на неровной поверхности	Установите на ровную поверхность. См. раздел «Ознакомление» .
	Износ пильного диска	Замените диск. См. раздел «Замена и установка нового пильного диска» .
Неточные распилы под косым углом	Шкала скоса отрегулирована неправильно	Проверьте и отрегулируйте. См. подраздел «Регулировка шкалы скоса» в разделе «Сборка и регулировка» .
	Диск не под прямым углом к направляющей	Проверьте и отрегулируйте. См. подраздел «Регулировка шкалы скоса» в разделе «Сборка и регулировка» .
	Диск не под прямым углом к столу	Проверьте и отрегулируйте направляющую. См. подраздел «Регулировка перпендикулярности диска относительно стола» в разделе «Сборка и регулировка» .
	Заготовка сдвигается	Зафиксируйте заготовку вплотную к направляющей при помощи зажима или резиновым клеем приклейте к направляющей 120-ти зернистую шлифовальную бумагу.
Диск застревает в заготовке	Распил заготовок изогнутой формы	См. подраздел «Заготовки изогнутой формы» в разделе «Специальные резы» .



Приложение к руководству по эксплуатации электрооборудования для определения месяца производства по номеру текущей календарной недели года

Электрооборудование торговых марок "Dewalt", "Stanley", "Stanley FatMAX", "BLACK+DECKER".

Директивы 2014/30/EU ЕВРОПЕЙСКОГО ПАРЛАМЕНТА И СОВЕТА от 26 февраля 2014 г. "О гармонизации законодательств Государств-членов ЕС в области электромагнитной совместимости", 2006/42/ЕС ЕВРОПЕЙСКОГО ПАРЛАМЕНТА И СОВЕТА от 17 мая 2006 г. "О машинах и оборудовании"; 2014/35/EU ЕВРОПЕЙСКОГО ПАРЛАМЕНТА И СОВЕТА от 26 февраля 2014 г. "О гармонизации законодательств государств-членов в области размещения на рынке электрооборудования, предназначенного для использования в определенных пределах напряжения".
Серийный выпуск.

ТОВАР СЕРТИФИЦИРОВАН

Орган по сертификации "РОСТЕСТ- Москва", Адрес: 119049, г. Москва, улица Житная, д. 14, стр. 1; 117418, Москва, Нахимовский просп., 31 (фактический), Телефон: (499) 1292311, (495) 6682893, Факс: (495) 6682893, E-mail: office@rostest.ru
Изготовитель: Изготовитель: Блэк энд Деккер Холдингс ГмБХ, Германия, 65510, Идштайн, ул. Блэк энд Деккер, 40, тел. +496126212790.

Уполномоченное изготовителем юр.лицо:

ООО "Стэнли Блэк энд Деккер", 117485, город Москва, улица Обручева, дом 30/1, строение 2
Телефон: + 7 (495) 258-3981, факс: + 7 (495) 258-3984, E-mail: inbox@dewalt.com
Сведения о импортере указаны в сопроводительной документации и/или на упаковке

Хранение.

Необходимо хранить в сухом месте, вдали от источников повышенных температур и воздействия солнечных лучей. При хранении необходимо избегать резкого перепада температур. Хранение без упаковки не допускается

Срок службы.

Срок службы изделия составляет 5 лет. Не рекомендуется к эксплуатации по истечении 5 лет хранения с даты изготовления без предварительной проверки.

Дата изготовления (код даты) указана на корпусе инструмента.

Код даты, который также включает год изготовления, отштампован на поверхности корпуса изделия.

Пример:

2014 46 XX, где 2014 –год изготовления, 46-неделя изготовления.

Определить месяц изготовления по указанной неделе изготовления можно согласно приведенной ниже таблице.

Транспортировка.

Категорически не допускается падение и любые механические воздействия на упаковку при транспортировке.

При разгрузке/погрузке не допускается использование любого вида техники, работающей по принципу зажима упаковки.

Перечень критических отказов, возможные ошибочные действия персонала.

Не допускается эксплуатация изделия:

- При появлении дыма из корпуса изделия
- При поврежденном и/или оголенном сетевом кабеле
- при повреждении корпуса изделия, защитного кожуха, рукоятки
- при попадании жидкости в корпус
- при возникновении сильной вибрации
- при возникновении сильного искрения внутри корпуса

Критерии предельных состояний.

- При поврежденном и/или оголенном сетевом кабеле
- при повреждении корпуса изделия

Месяц	Январь	Февраль	Март	Апрель	Май	Июнь	Июль	Август	Сентябрь	Октябрь	Ноябрь	Декабрь	Год производства
Неделя	1	5	9	14	18	23	27	31	36	40	44	49	2018
	2	6	10	15	19	24	28	32	37	41	45	50	
	3	7	11	16	20	25	29	33	38	42	46	51	
	4	8	12	17	21	26	30	34	39	43	47	52	
			13		22			35			48		
Неделя	1	6	10	14	18	23	27	31	36	40	45	49	2019
	2	7	11	15	19	24	28	32	37	41	46	50	
	3	8	12	16	20	25	29	33	38	42	47	51	
	4	9	13	17	21	26	30	34	39	43	48	52	
	5				22			35		44			
Неделя	1	6	10	14	19	23	27	32	36	40	45	49	2020
	2	7	11	15	20	24	28	33	37	41	46	50	
	3	8	12	16	21	25	29	34	38	42	47	51	
	4	9	13	17	22	26	30	35	39	43	48	52	
	5			18			31			44			
Неделя	2	6	10	14	19	23	27	32	36	41	45	49	2021
	3	7	11	15	20	24	28	33	37	42	46	50	
	4	8	12	16	21	25	29	34	38	43	47	51	
	5	9	13	17	22	26	30	35	39	44	48	52	
				18			31		40			1	
Неделя	2	6	10	15	19	23	28	32	36	41	45	49	2022
	3	7	11	16	20	24	29	33	37	42	46	50	
	4	8	12	17	21	25	30	34	38	43	47	51	
	5	9	13	18	22	26	31	35	39	44	48	52	
			14			27			40			1	

254 mm BİLEŞİK GÖNYE TESTERE

DWS713

Tebrikler!

Bir DEWALT aleti seçtiniz. Uzun süreli deneyim, sürekli ürün geliştirme ve yenilik DEWALT markasının profesyonel elektrikli alet kullanıcıları için en güvenilir ortaklardan birisi haline gelmesini sağlamaktadır.

Teknik Özellikleri

		DWS713
Voltaaj	V	230
Tip		20
Giriş gücü	W	1600
Bıçak çapı	mm	254
Maks. bıçak hızı	dak ⁻¹	5000
Maks. enine kesim kapasitesi 90°	mm	155
Maks. gönye kapasitesi 45°	mm	107
Azami kesme derinliği 90°	mm	89
Azami meyilli kesme derinliği 45°	mm	58
Sipere karşı dikey süpürgelik		
Maks. Yükseklik	mm	108
Maks. Genişlik	mm	16
Gönye (maks. konumlar)	sol	50°
	sağ	50°
Eğim (maks. konumlar)	sol	48°
	sağ	3°
0° eğim		
Maksimum 89 mm yükseklikte genişlik	mm	89
Maksimum 155 mm genişlikte yükseklik	mm	32
45° eğim		
Maksimum 89 mm yükseklikte genişlik	mm	61
Maksimum 107 mm genişlikte yükseklik	mm	32
45° eğim		
Maksimum 58 mm yükseklikte genişlik	mm	89
Maksimum 155 mm genişlikte yükseklik	mm	19
31.6° gönye, 33.9° eğim		
Maksimum 133 mm genişlikte yükseklik	mm	23
Otomatik bıçak fren zamanı	sn	< 10,0
Ağırlık	kg	14

UYARI: Yaralanma riskini azaltmak için, kullanımı kılavuzunu okuyun.

Tanımlar: Güvenlik Talimatları

Aşağıdaki tanımlar her işaret sözcüğü ciddiyet derecesini gösterir. Lütfen kılavuzu okuyunuz ve bu simgelere dikkat ediniz.

TEHLİKE: Engellenmemesi halinde **ölüm veya ciddi yaralanma** ile sonuçlanabilecek **çok yakın bir tehlikeli durumu** gösterir.

UYARI: Engellenmemesi halinde **ölüm veya ciddi yaralanma** ile sonuçlanabilecek **potansiyel bir tehlikeli durumu** gösterir.

DİKKAT: Engellenmemesi halinde **önemsiz veya orta dereceli yaralanma** ile sonuçlanabilecek **potansiyel bir tehlikeli durumu** gösterir.

İKAZ: Engellenmemesi halinde **maddi hasara neden olabilecek, yaralanma ile ilişkisi olmayan durumları** gösterir.

Elektrik çarpması riskini belirtir.

Yangın riskini belirtir.

ELEKTRİKLİ EL ALETLERİ İÇİN GENEL GÜVENLİK TALİMATLARI

UYARI: Bu elektrikli aletle verilen tüm güvenlik uyarılarını, talimatları, resimleri ve teknik özellikleri okuyun. Aşağıda listelenen tüm talimatlara uyulmaması elektrik çarpmasına, yangına ve/veya ciddi yaralanmalara neden olabilir.

BÜTÜN UYARI VE GÜVENLİK TALİMATLARINI İLERİDE BAKMAK ÜZERE SAKLAYIN

Uyarılarda yer alan «elektrikli alet» terimi şebeke elektrikle (kablolu) veya akü/pille (şarjlı) çalışan elektrikli aletinizi ifade etmektedir.

1) Çalışma alanının Güvenliği

- Çalışma alanını temiz ve aydınlık tutun.** Karışık ve karanlık alanlar kazaya davetiye çıkarır.
- Elektrikli aletleri, yanıcı sıvılar, gazlar ve tozların bulunduğu yerler gibi yanıcı ortamlarda çalıştırmayın.** Elektrikli aletler, toz veya dumanları ateşleyebilecek kıvılcıklar çıkarır.

- Bir elektrikli aleti çalıştırırken çocuklardan ve etraftaki kişilerden uzak tutun.** Dikkatinizi dağıtıcı şeyler kontrolü kaybetmenize neden olabilir.

2) Elektrik Güvenliği

- Elektrikli aletlerin fişleri prizlere uygun olmalıdır. Fiş üzerinde kesinlikle hiçbir değişiklik yapmayın. Topraklı elektrikli aletlerde hiçbir adaptör fişi kullanmayın.** Değiştirilmemiş fişler ve uygun prizler elektrik çarpması riskini azaltacaktır.
- Borular, radyatörler, ocaklar ve buzdolapları gibi topraklanmamış yüzeylerle vücut temasından kaçının.** Vücudunuzun topraklanması halinde yüksek bir elektrik çarpması riski vardır.
- Elektrikli aletleri yağmura maruz bırakmayın veya ıslatmayın.** Elektrikli alete su girmesi elektrik çarpması riskini arttıracaktır.
- Elektrik kablosunu uygun olmayan amaçlarla kullanmayın. Elektrikli aleti kesinlikle kablosundan tutarak taşımayın, çekmeyin veya prizden çıkartmayın.** Kabloyu sıcağın, yağdan, keskin kenarlardan veya hareketli parçalardan uzak tutun. Hasarlı veya dolaşmış kablolar elektrik çarpması riskini artırır.
- Elektrikli bir aleti açık havada çalıştırıyorsanız, açık havada kullanıma uygun bir uzatma kablosu kullanın.** Açık havada kullanıma uygun bir kablolu kullanılması elektrik çarpması riskini azaltır.
- Eğer bir elektrikli aletin nemli bir bölgede çalıştırılması zorluyorsa, bir artık akım aygıtı (RCD) korumalı bir kaynak kullanın.** Bir RCD kullanılması elektrik şoku riskini azaltır.

3) Kişisel Güvenlik

- Elektrikli bir aleti kullanırken her zaman dikkatli olun, yaptığınız işe yoğunlaşın ve sağduyulu davranın. Elektrikli bir aleti yorgunken veya ilaç ya da alkolün etkisi altındayken kullanmayın.** Elektrikli aletleri kullanırken bir anlık dikkatsizlik ciddi kişisel yaralanmaya sonuçlanabilir.
- Kişisel koruyucu ekipmanları mutlaka kullanın. Daima koruyucu gözlük takın.** Koşullara uygun toz maskesi, kaymayan güvenlik ayakkabıları, baret veya kulaklık gibi koruyucu donanımların kullanılması kişisel yaralanmaları azaltacaktır.
- İstem dışı çalıştırılmasını önleyin. Aleti güç kaynağına ve/veya aküye bağlamadan, yerden kaldırmadan veya taşımadan önce düğmenin kapalı konumda olduğundan emin olun.** Aleti, parmağınız düğme üzerinde bulunacak şekilde taşımak veya açık konumdaki elektrikli aletleri elektrik şebekesine bağlamak kazaya davetiye çıkarır.
- Elektrikli aleti açmadan önce tüm ayarlama anahtarlarını çıkartın.** Elektrikli aletin hareketli bir parçasına takılı kalmış bir anahtar kişisel yaralanmaya neden olabilir.
- Ulaşmakta zorlandığınız yerlerde kullanmayın. Daima sağlam ve dengeli basın.** Bu, beklenmedik durumlarda elektrikli aletin daha iyi kontrol edilmesine olanak tanır.
- Uygun şekilde giyinin. Bol elbiseler giymeyin ve takı takmayın. Saçınızı, elbiselerinizi ve eldivenlerinizi hareketli parçalardan uzak tutun.** Bol elbiseler ve takılar veya uzun saç hareketli parçalara takılabilir.
- Eğer kullandığınız üründe toz emme ve toplama özellikleri olan ataşmanlar varsa bunların bağlı olduğundan ve doğru şekilde kullanıldığını emin olun.** Bu ataşmanların kullanılması tozla ilgili tehlikeleri azaltabilir.
- Aletlerin sık kullanımı sonucu oluşan aşınalığın keyfi davranışta bulunmanıza ve aletle ilgili güvenlik ilkeleri ihmal etmenize neden olmasına izin vermeyin.** Dikkatsiz bir hareket bir anda ciddi yaralanmalara neden olabilir.

4) Elektrikli Aletlerin Kullanımı ve Bakımı

- Elektrikli aleti zorlamayın. Uygulamanız için doğru elektrikli aleti kullanın.** Doğru elektrikli alet, belirlendiği kapasite ayarında kullanıldığında daha iyi ve güvenli çalışacaktır.
- Düğme açmıyor ve kapatmıyorsa elektrikli aleti kullanmayın.** Düğmeyle kontrol edilemeyen tüm elektrikli aletler tehlikelidir ve tamir edilmesi gerekmektedir.
- Herhangi bir ayar, aksesuar değişimi veya elektrikli aletlerin saklanması öncesinde fişi güç kaynağından çekin ve/veya eğer demonte edilebilir tipteyse, bataryayı aletten ayırın.** Bu tür önleyici güvenlik tedbirleri elektrikli aletin istem dışı olarak çalıştırılması riskini azaltacaktır.
- Elektrikli aleti, çocukların ulaşamayacağı yerlerde saklayın ve elektrikli aleti tanımayan veya bu talimatları bilmeyen kişilerin elektrikli aleti kullanmasına izin vermeyin.** Elektrikli aletler, eğitimsiz kullanıcıların elinde tehlikelidir.
- Elektrikli aletleri iyi durumda muhafaza edin. Hareketli parçalardaki hizalama hatalarını ve tutuklukları, parçalardaki kırılmalar ve elektrikli aletin çalışmasını etkileyebilecek tüm diğer koşulları kontrol edin. Hasarlı ise, elektrikli aleti kullanmadan önce tamir ettirin.** Kazaların çoğu, elektrikli aletlerin bakımının yeterli şekilde yapılmamasından kaynaklanır.
- Kesim aletlerini keskin ve temiz tutun.** Bakımı uygun şekilde yapılmış keskin kesim uçlu kesim aletlerinin sıkışma ihtimali daha düşüktür ve kontrol edilmesi daha kolaydır.
- Elektrikli aleti, aksesuarlarını ve aletin diğer parçalarını kullanırken bu talimatlara mutlaka uyun ve çalışma ortamının koşullarını ve yapılacak işin ne olduğunu göz önünde bulundurun.** Elektrikli aletin öngörülen işlemler dışındaki işlemler için kullanılması tehlikeli durumlara neden olabilir.
- Tüm tutamakları ve tutma yerlerini kuru, temiz ve üzerinde yağ ile gres bulunmayacak şekilde muhafaza edin.** Kaygan tutamaklar ve tutma yerleri, beklenmedik durumlarda aletin güvenli bir şekilde tutulması ve kontrol edilmesine izin vermez.

5) Servis

- a) **Elektrikli aletinizi, sadece orijinal yedek parçaların kullanıldığı yetkili DEWALT servisine tamir ettirin.** Bu, elektrikli aletin güvenliğini muhafaza edilmesini sağlayacaktır.

Gönye Testere için Güvenlik Talimatları

- a) **Gönye Testere, ahşap veya benzeri malzemelerin kesilmesi için tasarlanmıştır ve demir çubuk, saplama vb. gibi demir içeren malzemelerin kesilmesi için aşındırıcı kesme diski ile birlikte kullanılamaz.** Aşınma tozu, alt siper gibi hareketli parçaların sıkışmasına neden olur. Aşındırıcı kesmeler sonucu oluşan kıvılcıklar alt siperi, kesme ek parçası ve diğer plastik parçaların yanmasına neden olur.
- b) **Çalışılan parçayı mümkün olduğu sürece kelepçelerle sabitleyin.** Çalışılan parçayı elle destekliyorsanız ellerinizi testere bıçağının her iki tarafına en az 100 mm mesafede tutmalısınız. Güvenli bir şekilde kelepçelemek veya elle tutmak için çok küçük olan parçaları kesmek için bu testereyi kullanmayın. Ellerinizi testere bıçağına çok yakın yerleştirilirse bıçakla temas sonucu yaralanma riski artabilir.
- c) **Çalışılan parça hareketsiz olmalı ve kelepçeyle sabitlenmelidir veya hem çit hem de masaya tutturulmalıdır.** Çalışılan parçayı bıçağa yönlendirme veya kesme işlemini kesinlikle elle yapmayın. İyi sabitlenmemiş veya hareket eden çalışma parçaları yüksek hızla fırlayarak yaralanmalara neden olabilir.
- d) **Testereyi çalışılan parçaya ittirin.** Testereyi çalışılan parçaya doğru çekmeyin. Bir kesim yapmak için testere kafasını kaldırın ve kesme yapmadan önce çalışılan parçanın üzerine çekin, motoru çalıştırın ve testereyi çalışılan parçaya ittirin. Çekme stroku üzerinde kesim yapılması testere bıçağının çalışma parçasının üst kısmına tırmanmasına ve bıçak düzeneğinin operatöre doğru çok sert şekilde fırlamasına neden olabilir.
- e) **Kesinlikler ellerinizi testere bıçağının ön veya arka tarafındaki kesim hattına doğru uzatmayın.** Çalışma parçasını "çapraz elle" yani testere bıçağının sağ tarafındaki çalışma parçasını sol elle tutmak veya tersi şekilde tutmak çok tehlikelidir.
- f) **Bıçak dönerken odun parçalarını temizlemek veya diğer herhangi bir nedenle herhangi elinizi çitin arkasında testere bıçağının 100 mm'den daha fazla yaklaştırmayın.** Ellerinizi dönen testere bıçağına yakınlığı anlamayabilir ve ciddi şekilde yaralanmanıza neden olabilir.
- g) **Kesmeden önce çalışılan parçayı kontrol edin.** Çalışılan parça eğilmiş veya bükülmüşse, parçayı dışa eğilmiş kısmı çite bakacak şekilde kelepçeleysin. Kesim hattı boyunca çalışılan parça, çit ve masa arasında herhangi bir boşluk bulunmadığından daima emin olun. Eğilmiş veya bükülmüş çalışma parçaları kırılabilir veya yönü değişebilir ve kesim sırasında döner testere bıçağının üstüne gelebilir. Çalışılan parça üzerinde herhangi bir çivi veya yabancı nesne bulunmamalıdır.
- h) **Masa üzerinde, çalışılan parça haricindeki tüm aletler, ahşap parçaları kaldırılana kadar testereyi kullanmayın.** Döner bıçağa temas eden, ufak kir birikintileri, gevşek ahşap parçaları veya diğer nesnelere yüksek hızla fırlayabilir.
- i) **Tek seferde sadece bir iş parçası kesin.** Birikmiş birden fazla iş parçası yeterince iyi kelepçelenemez veya kavranamaz ve kesme sırasında bıçak üzerine denk gelebilir veya yerinden kayabilir.
- j) **Gönye testerenin kullanılmadan önce düz ve sabit bir çalışma yüzeyine monte edildiğinden veya koyulduğundan emin olun.** Düz ve sabit bir çalışma yüzeyi gönye testerenin dengesi haline gelmesi riskini azaltır.
- k) **İşinizi planlayın.** Eğim veya gönye açısı ayarını değiştirmek istediğiniz her seferinde ayarlanabilir çitin çalışılan iş parçasını destekleyecek şekilde doğru ayarlandığından ve bıçak veya koruma sistemiyle temas etmediğinden emin olun. Aleti çalıştırmadan ve masada herhangi bir iş parçası bulunmadan önce çitle herhangi bir girişim veya çiti kesme tehlikesi bulunmadığından emin olmak için testere bıçağını tam olarak önceden belirlenmiş bir kesime doğru hareket ettirin.
- l) **Tabla üstünden daha geniş veya uzun bir iş parçası için tabla uzantıları, testere tezgahları vb. gibi yeterli desteği sağlayın.** Gönye testere tablasından daha geniş veya uzun bir iş parçası sağlam desteklenmezse devrilebilir. Eğer kesilen parça veya iş parçası devrilseniz, alt siperi kaldırabilir veya döner bıçak tarafından fırlatılabilir.
- m) **Başka bir insanı bir tabla uzantısı yerine veya ilave destek olarak kullanmayın.** Çalışılan parça için dengersiz destek kesme işlemi sırasında bıçağın tutukluk yapmasına veya iş parçasının sizi veya yardım eden kişiyi döner bıçağa çekecek şekilde kaymasına neden olabilir.
- n) **Kesilen parça hiç bir şekilde döner testere bıçağına sıkıştırılmamalı veya bastırılmamalıdır.** Örneğin uzunluk sınırları kullanılan dar alanlarda kesilen parça bıçağa takılabilir ve şiddetli bir şekilde fırlayabilir.
- o) **Daima demir çubuk veya boru gibi yuvarlak malzemeleri doğru şekilde desteklemek için tasarlanmış bir kelepçe veya sabitleyici kullanın.** Demir çubuklar kesim sırasında yuvarlanma eğilimine sahiptir, bu da bıçağın "kapmasına" ve iş parçasını elinizle birlikte bıçağa çekmesine neden olabilir.
- p) **Bıçağın çalışılan iş parçasına temas etmeden önce tam hıza ulaşmasını sağlayın.** Bu durum iş parçasının fırlaması riskini azaltacaktır.
- q) **İş parçası veya bıçak sıkıştırsa gönye testereyi kapalı konuma getirin.** Tüm hareketli parçaların durmasını bekleyin ve fişini güç kaynağından çekin ve/veya bataryayı çıkartın. Ardından sıkışan malzemeyi serbest bırakmaya çalışın. Sıkışmış bir malzemeyle kesme işlemine devam edilmesi kontrolün kaybedilmesine veya gönye testerenin hasar görmesine neden olabilir.
- r) **Kesme işlemini tamamladıktan sonra, düğmeyi serbest bırakın, testere kafasını aşağı eğin ve kesilen parçayı çıkartmadan önce bıçağın durmasını bekleyin.** Ellerinizi boşta döner bıçağa yaklaştırmaması tehlikelidir.

- s) **Tamamlanmamış bir kesim yaparken veya testere kafası tam olarak aşağı konumda olmadan önce düğmeyi serbest bırakırken kolu sıkıca tutun.** Testerenin frenleme eylemi testere kafasının aniden aşağıya düşmesine ve bir yaralanma riski oluşmasına neden olabilir.

Gönye Testere için Ek Güvenlik Kuralları



UYARI: Tüm talimatlar okunana ve anlaşılana kadar üniteyi prize takmayın.

- **TALIMATLARA GÖRE TAM OLARAK MONTE EDILMEDEN VE KURULUM YAPILMADAN ÖNCE BU MAKİNEYİ KULLANMAYIN.** Kurulumu hatalı yapılmış bir makine ciddi yaralanmaya neden olabilir.
- **BU MAKİNENİN NASIL ÇALIŞTIRILACAĞINA TAM OLARAK AŞINA DEĞİLSENİZ AMIRINIZ, EĞİTMEN VEYA BAŞKA BİR DENEYİMLİ KİŞİDEN YARDIM ALIN.** Bilgi emniyettir.
- **BIÇAĞIN DOĞRU YÖNDE** döndüğünden emin olun. Testere dişleri, testere üzerinde işaretlendiği şekilde dönme yönünü gösteriyor olmalıdır.
- **ÇALIŞTIRMADAN ÖNCE TÜM KELEPÇE SAPLARINI,** düğmeleri ve kolları SIKIN. Gevşek kelepçeler, parçalar veya iş parçasının yüksek hızla fırlamasına neden olabilir.
- **TÜM** bıçakların ve bıçak kelepçelerinin temiz olduğundan, bıçak kelepçelerinin girintili kenarlarının bıçağa doğru olduğundan ve mandren vidasının sağlam şekilde sıkıldığından emin olun. Gevşek veya uygunsuz bıçak kelepçesi testerenin hasar görmesine ve olası yaralanmaya neden olabilir.
- **TESTERE İÇİN BELİRLENMİŞ OLAN VOLTAJ DIŞINDA BİR VOLTAJLA ÇALIŞTIRMAYIN.** Aşırı ısınma alette hasara ve yaralanmaya neden olabilir.
- **MOTOR MILİNİ TUTMAK İÇİN FANA HERHANGİ BİR ŞEY SOKMAYIN.** Alette hasara ve yaralanmaya neden olabilir.
- **KESİNLİKLE METAL VEYA TAŞ KESMEK İÇİN KULLANMAYIN.** Bunların ikisi de karbür uçları bıçaktan yüksek hızla fırlayarak ciddi yaralanmalara neden olabilir.
- **KESİNLİKLE VÜCUDUNUZUN HERHANGİ BİR PARÇASINI TESTERE BIÇAĞININ HAREKET ALANIYLA AYNI DOĞRULTUYA SOKMAYIN.** Yaralanma meydana gelebilir.
- **KESİNLİKLE HAREKET EDEN BİR BIÇAĞA BIÇAK YAĞLAYICI SÜRMEYİN.** Yağ sürerken eliniz bıçağa doğru hareket ederek ciddi yaralanmaya neden olabilir.
- **TESTERE GÜÇ KAYNAĞINA BAĞLIYKEN ELLERİNİZİ ASLA BIÇAK ALANINA KOYMAYIN.** Bıçağın yanlışlıkla aktive edilmesi ciddi yaralanmayla sonuçlanabilir.
- **KESİNLİKLE TESTERE BIÇAĞININ ETRAFINA VEYA ARKASINA DOĞRU UZANMAYIN.** Bıçak ciddi yaralanmaya neden olabilir.
- **FIŞI ÇEKİLMİŞ VE KAPATILMIŞ OLMADIĞI SÜRECE TESTERENİN ALTINA ELİNİZİ UZATMAYIN.** Testere bıçağına temas ciddi yaralanmaya yol açabilir.
- **MAKİNEYİ DENGELİ BİR DESTEK YÜZEYİNE SABİTLEYİN.** Titreme makinenin kayması, hareket etmesi veya devrilmesi sonucu ciddi yaralanmaya neden olabilir.
- **SADECE GÖNYE TESTERELER İÇİN ÖNERİLEN ÇAPRAZ KESİM TESTERE BIÇAKLARI** kullanın. En iyi sonuçları almak için, 7 dereceden geçen kanca açılımları sahip karbür uçlu bıçakları kullanmayın. Derin kanallı testeresi bıçaklarını kullanmayın. Bu durum siperin yönünün değişmesine ve temasa neden olabilir ve makinede ciddi hasar ve/veya yaralanmayı beraberinde getirebilir.
- **MAKİNEDE HASAR VE/VEYA YARALANMAYI ÖNLEMELER İÇİN SADECE DOĞRU BOYUT VE TİPTE BIÇAKLARI KULLANIN** (EN847-1 ile uyumlu).
- **ÇALIŞTIRMADAN ÖNCE BIÇAKTA ÇATLAK VEYA HASAR OLUP OLMADIĞINI KONTROL EDİN.** Çatlaklı veya hasar görmüş bir bıçak parçalanabilir ve parçaları ciddi yaralanmaya neden olacak şekilde yüksek hızlarda fırlayabilir. Çatlaklı veya hasar görmüş bıçakları hemen değiştirin. Testere bıçağının üzerinde yazan maksimum hızı uyun.
- **BIÇAĞI VE BIÇAK KELEPÇESİNİ** çalıştırmadan önce temizleyin. Bıçak ve bıçak kelepçesinin temizlenmesi bunların herhangi bir hasar açısından kontrol edilmesini sağlar. Çatlaklı veya hasar görmüş bir bıçak veya bıçak kelepçesi parçalanabilir ve parçaları ciddi yaralanmaya neden olacak yüksek hızlarda fırlayabilir.
- **EĞİLMİŞ BIÇAKLARI KULLANMAYIN.** Bıçağın doğru ilerlediği ve titremediğini kontrol etmek için bakın. Titreyen bir bıçak makineye hasar verebilir ve/veya ciddi yaralanmaya neden olabilir.
- **PLASTİK SİPERİN ÇEVRESİNDE YAĞLAYICI VEYA TEMİZLEYİCİ (ÖZELLİKLE SPREY VEYA AEROSOL) KULLANMAYIN.** Siperde kullanılan polikarbonat malzeme belli kimyasallar tarafından saldırıya maruz kalabilir.
- **SİPERİ YERİNDE VE** çalışır durumda muhafaza edin.
- **DAİMA KESİM PLAKASI KULLANIN VE HASAR GÖRDÜĞÜNDE BU PLAKAYI DEĞİŞTİRİN.** Testere altında küçük talaş birikmesi testere bıçağına engel olabilir veya kesme sırasında iş parçasının dengesini bozabilir.
- **MAKİNENİN HASAR GÖRMESİNİ VE/VEYA YARALANMALARINI ÖNLEMELER İÇİN SADECE BU ALET İÇİN BELİRTİLEN BIÇAK KELEPÇELERİNİ KULLANIN.**
- **KESİLECEK MALZEME İÇİN DOĞRU TESTERE BIÇAĞINI KULLANDIĞINIZDAN EMİN OLUN.**
- **MOTOR HAVALANDIRMA YUVALARINDAKİ** talaş ve testereden dökülen tozları temizleyin. Motor havalandırma yuvalarının tıkanması makinenin aşırı ısınmasına ve bu da makinenin hasar görmesine ve ciddi yaralanmayı beraberinde getirecek kısa devreye neden olabilir.
- **DÜĞMEYİ KESİNLİKLE "AÇIK" KONUMDA KILITLEMİYİN.** Ciddi yaralanmaya neden olabilir.
- **ASLA ALET ÜZERİNE BASMAYIN.** Bu, alet devrilseniz veya yanlışlıkla kesme aletiyle temas edilirse ciddi yaralanmayla sonuçlanabilir.



UYARI: Plastik, ıslak ahşap ve diğer malzemelerin kesilmesi bıçak uçlarında ve testere gövdesinde erimiş materyal birikmesine sebep olur ve bıçağın aşırı ısınması ve kesim esnasında takılma riski artar.

UYARI: Her zaman uygun kulaklık takın. Bazı durumlarda ve uzun süreli kullanımda, bu ürünün sesi işitme kaybına sebep olabilir. Gürültüye maruz kalmayı etkileyen aşağıdaki faktörlere dikkat edin:

- Yayılan gürültüyü azaltan bıçaklar kullanın,
- Yalnızca iyice bilenmiş testere bıçakları kullanın ve
- Özel olarak hazırlanmış gürültü azaltma özelliğine sahip testere bıçaklarını kullanın.

UYARI: DAİMA güvenlik gözlüğü kullanın. Normal gözlükler güvenlik gözlükleri DEĞİLDİR. Ayrıca toz ortaya çıkan bir kesme işlemi söz konusuysa yüz veya toz maskesi kullanın.

UYARI: Bu aletin kullanımı ciddi ve kalıcı solunum sorunları veya yaralanmalara neden olabilecek toz üretip yayabilir.

UYARI: Elektrikli zımparalama, kesme, taşlama, delme ve diğer imalat işlemlerinin ortaya çıkardığı bazı tozlar kansere, doğu hataları veya diğer üreme sorunlarına neden olduğu bilinen kimyasallar içerir. Bu kimyasallardan bazıları:

- kurşun bazlı boyalardaki kurşun,
- tuğla ve çimentoda ve diğer duvar malzemelerinde bulunan kristalin silika ve
- kimyasal işleme tabi tutulmuş keresteden kaynaklanan arsenik ve krom.

Bunlara maruziyetinizden kaynaklanan risk, bu tip çalışmaları ne sıklıkla gerçekleştirdiğinize bağlı olarak değişir. Bu kimyasallara maruziyeti azaltmak için: iyi havalandırılmalı yerlerde çalışın ve mikroskopik partikülleri sızdırmayacak şekilde özel tasarlanmış toz maskeleri gibi onaylı güvenlik ekipmanlarını kullanın.

• **Elektrikli zımparalama, kesme, taşlama, delme ve diğer imalat işlemlerinin ortaya çıkardığı tozlarla uzun süreli temastan kaçın.** Koruyucu giysiler giyin ve maruz kalan alanları sabun ve su ile yıkayın. Tozun ağız ve gözlerinize girmesine veya cildiniz üzerinde birikmesine izin vermek zararlı kimyasalların emilmesine neden olabilir.

UYARI: Bu aletin kullanımı ciddi ve kalıcı solunum sorunları veya yaralanmalara neden olabilecek toz üretip yayabilir. Toza maruz kalma durumunda daima uygun ve onaylı solunum koruyucu kullanın.

Diğer Riskler

Aşağıdaki riskler testere kullanmanın doğasında vardır:

- Dönen parçalara dokunmaktan kaynaklanan yaralanmalar

İlgili güvenlik düzenlemelerinin uygulanması ve güvenlik cihazlarının kullanılmasına rağmen, bazı risklerden kaçınmak mümkün değildir. Bunlar:

- İşitme kaybı.
- Dönen testere bıçağının kapatılmamış parçalarından kaynaklanan kaza riski.
- Bıçağı değiştirirken yaralanma riski.
- Siperleri açarken parmakların sıkışması riski.
- Ahşap, özellikle meşe, kayın ve MDF keserken ortaya çıkan tozun solunmasından kaynaklanan sağlık tehlikeleri.

Aşağıdaki etmenler, solunum sorunları riskini artırır:

- Ahşap keserken toz toplayıcının bağlanmaması.
- Tıkalı egzoz filtrelerinin neden olduğu yetersiz toz emme.

Elektrik Güvenliği

Den elektriska motorn har konstruerats för endast en spänning. Kontrollera alltid att strömförsörjningen motsvarar spänningen på klassificeringsplattan.

DEWALTSTANLEY aletinin EN62841 standardına uygun olarak çift yalıtımlıdır; bu nedenle, topraklama kablosuna gerek yoktur.

Elektrik kablosu hasar görürse, yalnızca **DEWALTSTANLEY** veya yetkili bir servis tarafından değiştirilmelidir.

Uzatma Kablolarının Kullanımı

Uzatma kablosu kullanılması gerekiyorsa bu aletin giriş gücüne (**Teknik Özellikleri** bakın) uygun onaylı bir 3 damarlı uzatma kablosu kullanın. Minimum iletken boyutu 1,5 mm²'dir; maksimum uzunluk 30 m'dir.

Bir kablo makarası kullanırken, kabloyu daima sonuna kadar açın.




Ambalaj İçeriği

Ambalaj şunları içerir:

- 1 Gönye testere
- 1 6 mm altıgen anahtar
- 1 Testere bıçağı
- 1 Toz torbası
- 1 Malzeme kelepçesi
- 1 Kullanım kılavuzu
- Nakliye sırasında alet, parçalar ve aksesuarlarda hasar oluşup oluşmadığını kontrol edin.
- Çalıştırmadan önce bu kılavuzu iyice okuyup anlamak için zaman ayırın.

Alet Üzerindeki Etiketler

Alet üzerinde aşağıdaki semboller gösterilir:

-  Kullanmadan önce kullanım kılavuzunu okuyun.
-  Kulak koruması kullanın.
-  Göz koruması kullanın.



Ellerinizi bıçaktan uzak tutun.



Gözle görülür radyasyon. İşğe doğru bakmayın.

Tarih Kodu Konumu (Şek. A)

İmalat yılını da içeren Tarih Kodu **35** gövdeye baslıdır.

Örnek:

2019 XX XX
İmalat Yılı

Açıklama (Şek. A)

UYARI: Hiçbir zaman elektrikli aleti veya herhangi bir parçasını değiştirmeyin. Hasar veya yaralanmayla sonuçlanabilir.

- | | | |
|--------------------------|---------------------------|----------------------------------|
| 1 Tetik düğmesi | 8 Gönye ölççeği vidaları | 15 Kelepçe takma delikleri |
| 2 Çalıştırma kolu | 9 El girintileri | 16 6 mm altıgen anahtar |
| 3 Montaj delikleri | 10 Sürgülü çit | 17 Kafa kilitleme topuzu |
| 4 Alt siper | 11 Açılama kilit düğmesi | 18 Taban çiti |
| 5 Gönye kilitleme topuzu | 12 Toz portu | 19 Dikey malzeme kelepçesi |
| 6 Gönye kilit mandalı | 13 Taşıma kolu | 20 Gönye kilidini geçersiz kılma |
| 7 Gönye ölççeği | 14 Siper kilitleme topuzu | |

Kullanım Amacı

DEWALT DWS713 bileşik gönye testere profesyonel amaçlı ahşap kesme uygulamaları için tasarlanmıştır. Uygun testere bıçakları kullanıldığında alüminyum profiller ve plastik kesmek de mümkündür.

Islak koşullarda veya yanıcı sıvı ya da gazların mevcut olduğu ortamlarda **KULLANMAYIN**.

Bu gönye testere profesyonel kullanım amaçlı bir elektrikli alettir.

ÇOCUKLARIN alete erişmesine izin vermeyin. Bu alet deneyimsiz kullanıcılar tarafından kullanılmaması için tasarlanmıştır.

- Bu ürün, güvenliklerinden sorumlu kişinin gözetiminde olmadıklarında, fiziksel (çocuklar dahil), algısal veya zihinsel kapasite kaybı yaşamış deneyimsiz, bilgisiz ve yeteneksiz kişiler tarafından kullanılmamalıdır. Çocuklar asla bu ürünle yalnız bırakılmamalıdır.

Teknik özellikler

Tahrik

230 Volt motor

1600 Watt

5000 dev/dak

Makaralı ve bilyeli yataklı helisel dişlileri kesin

Karbür dişli bıçak

Otomatik fren

Tanıtma (Şek. A, B)

Gönye testerenin ambalaj içerisinde tamamen monte edilmiştir. Kutuyu açın ve Şekil B'de gösterildiği gibi pratik taşıma kolu **13** ile testereyi çekip çıkarın.

Testereyi tezgah veya sağlam bir masa gibi düz ve dengeli bir zemine koyun.

Testere ve onun çeşitli parçalarını tanımak için Şekil A'yi inceleyin. Bu terimler ayarlamalarla ilgili bölümü ifade etmektedir ve bu parçaların neler olduğunu ve nerede bulunduğunu bilmeniz gerekir.

UYARI: Sıkışma Tehlikesi. Yaralanma riskini azaltmak için, kolu aşağıya doğru çekerken baş parmağınızı kolun alt tarafında tutun. Kol aşağı çekildiğinde alt siper yukarı hareket eder ve bu da parmağın sıkışmasına neden olabilir. Bu kol, özel kesimlerde siperi kapatmak için mevcuttur.

Çalıştırma kolunu **2** hafifçe aşağıya bastırın ve kafa kilitleme topuzunu **17** gevşetin. Aşağı yönde olan basıncı hafifçe serbest bırakın ve kolun tam yüksekliğine ulaşmasını bekleyin. Testereyi bir yerden diğerine taşıırken aşağı kilitleme pimini kullanın. Testereyi taşımak için daima taşıma kolunu **13** veya Şekil A'da gösterilen el girintilerini **9** kullanın.

Tezgaha Montaj (Şek. A)

Tezgaha montajı kolaylaştırmak için, Şekil A'da gösterildiği gibi dört ayağın tamamında montaj delikleri **3** mevcuttur. (Farklı boyutlarda vida takmak için iki farklı boyutta delik bulunur. İsteddiğiniz deliği kullanabilirsiniz; her ikisini birlikte kullanmak gerekmez.) Hareket etmesini önlemek için testerenizi her zaman sağlam bir şekilde monte edin. Aletin taşınabilirliğini kolaylaştırmak için, 12,7 mm'lik bir parçaya veya daha sonra çalışma desteğinize kelepçelenebilecek şekilde daha kalın bir kontrplağa monte edilebilir veya diğer iş alanlarına taşınabilir ve yeniden kelepçelenebilir.

NOT: Testerenizi bir kontrplak parçasına monte etmeyi tercih ederseniz, montaj vidalarının ahşabın altından çıkıntı oluşturmadığından emin olun. Kontrplak çalışma desteği üzerine düzgünce oturmalıdır. Testereyi herhangi bir çalışma yüzüne kelepçelerken, yalnızca montaj vida deliklerinin bulunduğu kelepçeleme yuvalarına kelepçeleğin. Başka herhangi bir noktaya kelepçelemek kuşkusuz testerenin düzgün çalışmasını olumsuz etkiler.

UYARI: Bağlanma ve yanlışlığı önlemek için, montaj yüzeyinin eğri veya dengesiz olmadığından emin olun. Testere yüzeyde sallanıyorsa, testere montaj yüzeyine

sağlam şekilde yerleşene kadar testere ayaklarından birinin altına ince bir parça malzeme yerleştirin.

Testerenin Taşınması (Şek. A, C)

UYARI: Ciddi yaralanma riskini azaltmak için, hareket ettirmeden, aksesuarları değiştirmeden veya herhangi bir ayarlama yapmadan önce aleti kapatın ve güç kaynağıyla bağlantısını kesin.

UYARI: Ciddi yaralanma riskini azaltmak için, testereyi taşımadan önce gönye kilitleme topuzunu, açılma kilit kolunu, kafa kilitleme topuzunu ve çit ayarlama düğmesini DAİMA kilitleyin.

Gönye testereyi bir yerden bir yere rahatça taşımak için, testere kolunun üstünde bir taşıma kolu (13) ve Şekil A'da gösterildiği gibi tabandaki el girintileri (9) yer almaktadır. Testereyi taşımak için, kolu indirin ve Şekil C'de gösterilen kafa kilitleme düğmesini (17) sıkın.

MONTAJ VE AYARLAMALAR

UYARI: Ciddi yaralanma riskini azaltmak için herhangi bir ayar yapmadan ya da parça veya aksesuarları söküp takmadan önce aleti kapatın ve güç kaynağından ayırın. Aletin yanlışlıkla çalıştırılması yaralanmaya neden olabilir.

Bir Testere Bıçağının Değiştirilmesi veya Yenisinin Takılması (Şek. D–F)

UYARI: Ciddi yaralanma riskini azaltmak için, hareket ettirmeden, aksesuarları değiştirmeden veya herhangi bir ayarlama yapmadan önce aleti kapatın ve güç kaynağıyla bağlantısını kesin.

UYARI: Testere bıçağını monte ederken koruyucu eldiven kullanın. Testere bıçağına dokunduğunuzda yaralanma riski.

DİKKAT:

- Bıçak güç altındayken veya boşta dönerken mil kilidine asla basmayın.
- Demir türevi (demir veya çelik içeren) metalleri, duvarları veya lifli çimento ürünlerini bu gönye testerede kesmeyin.

Bıçağı Çıkarma

- Testereyi fişten çekin.
 - Kolu yukarı konuma kaldırın ve alt siperi (4) olabildiğince kaldırın.
 - Siper braketini arka vidasını (21) gevşetin fakat braket bıçak vidasına erişim için yeterli uzaklığa kaldırılabilece kadar vidayı yerinden sökmeyin. Siper braketini vidasının konumu nedeniyle alt siper kalkık kalır.
 - Testere bıçağını kilit devreye girene kadar elle dikkatlice döndürürken milli kilit düğmesine (22) basın.
 - Düğme basılıyken, aletle verilen 6 mm altıgen anahtar (16) ve diğer elinizi kullanarak bıçak vidasını (24) gevşetin. (Saat yönünde çevirin, soldan dışı.)
 - Bıçak vidasını (24), dış bıçak kelepçesini (25) ve bıçağı (26) çıkarın. İç bıçak kelepçesi (27) ve kullanılıyorsa, 25,4 mm bıçak adaptörü (37) mil üzerinde bırakılabilir.
- NOT:** Bıçak deliği 15,88 mm olan bıçaklar için 25,4 mm bıçak adaptörü kullanılmaz.

Bir Bıçağın Takılması

- Testereyi fişten çekin.
- Kol kaldırılmış halde, alt siper ve siper braketini açık tutulurken, bıçağı (26), bıçağın alt kısmındaki dişler testerenin arkasına bakacak şekilde iç bıçak kelepçesine (27) karşı milin üzerine yerleştirin.
- Dış bıçak kelepçesini (25) mile monte edin.
- Bıçak vidasını (24) takın ve mil kilidini devreye sokun, ardından vidayı ürünle birlikte gelen 6 mm altıgen anahtarla iyice sıkın. (Soldan dışı aletlerde saat yönünün tersine çevirin.)
- Siper braketini orijinal konumuna geri döndürün ve braketini yerinde tutmak için siper braketini vidasını (21) sağlam şekilde sıkın.

UYARI:

- Testere çalıştırılmadan önce siper braketini tam orijinal konumuna geri döndürülmelidir ve vidası sıkılmalıdır.
- Bunun ihmal edilmesi siperin dönen testere bıçağına temas etmesine ve bunun sonucunda da testerenin hasar görmesine ve ciddi yaralanmalara neden olabilir.

Gönye Ölçeğinin Ayarlanması (Şek. A, G)

Testere siperi ve bıçağı ile zıt yönde bir gönye yerleştirin. (Bıçak dışı uçlarına gönye ile dokunmayın. Böyle yapılması hatalı ölçümlere neden olur.) Gönye kilit düğmesinin (5) kilidini açın ve gönye kilidi onu 0° gönye konumunda kilitleyene kadar gönye kolunu döndürün. Gönye kilit düğmesini kilitlemeyin. Testere bıçağı taban siperine (18) tam olarak dik değilse, gönye ölçeğini (7) taban üzerinde tutan üç gönye ölçek vidasını (8) gevşetin ve gönye ile ölçerek, ölçek/gönye kilit kolunu, bıçak sipere dik olana dek sola ya da sağa kaydırın. Üç vidayı yeniden sıkın. Gönye göstergesinin değerine bu noktada önem vermeyin.

Gönye Göstergesinin Ayarlanması (Şek. A, H)

Gönye kolunu sıfır konumuna getirmek için gönye kilit düğmesinin (5) kilidini açın ve gönye kilit mandalını (6) sıkın. Gönye kolunu sıfıra döndürürken gönye mandalının yerine oturmasını sağlamak için gönye kilit düğmesinin kilidini açın. Göstergesi (23) ve gönye ölçeğini (7) Şekil H'de belirtilen görüntüleme boşluğundan izleyin. Gösterge tam olarak sıfır göstermiyorsa, gösterge vidasını gevşetin, göstergesi 0° konumuna ayarlayın ve tekrar sıkın.

Açılma Gönyesinin Tezgah Ayarı (Şek. I, J)

Bıçak gönyesini döner tezgahla hizalamak için, kolu aşağı konuma kilitleyin. Gönyeyi, bir dişin üst kısmına gelmemesine dikkat ederek bıçağın tersi yönde yerleştirin. Açılma kolunu

hareket ettirmek için açılı kilit düğmesini (11) gevşetin. Açılma kolunu bıçak masaya 0° eğimde olana kadar gerektiği şekilde hareket ettirin. Açılma kolunun ayarlanması gerekiyorsa, sağ taraftaki açılma frenini Şekil J'de gösterildiği gibi yerleştirin ve fren vidasını (28) gereken şekilde ayarlayın.

Açı Göstergesi (Şek. J)

Açı göstergesi (30) sıfırı göstermezse, açılma göstergesini yerinde tutan vidayı (31) gevşetin ve gerekirse göstergesi hareket ettirin.

ÖNERİ: Doğru değer için, üst kenarı sıfıra gelecek şekilde ayarlayın.

Açılma Freni (Şek. A, J)

Açılma frenini 45° olarak ayarlamak için, önce sol taraftaki siper kilitleme topuzunu (14) gevşetin ve sürgülü siperi (10) sola dayanacak kadar kaydırın. Kolu, sol taraftaki açılma fren vidasında (29) durana kadar sola doğru hareket ettirin. Açı göstergesi tam olarak 45° göstermiyorsa, vidayı aşağı çevirin. Kolu sola hareket ettirin ve açı göstergesi tam olarak 45° gösterdiğinde açı kilitleme topuzunu (11) sağlam şekilde sıkın. Soldaki açılma fren vidasını (29), açılma frenine sıkıca değene kadar yukarı doğru ayarlayın.

Sağa 3° açı veya sola 48° açı elde etmek için, durdurma vidalarının, kolun istenen yere hareket etmesine izin verecek şekilde ayarlanması gerekir. Açı frenlerinin, kesimler yapıldıktan sonra sıfır ve 45° pozisyonlarına yeniden ayarlanması gerekir.

Siperin Ayarlanması (Şek. K)

UYARI: Ciddi yaralanma riskini azaltmak için, hareket ettirmeden, aksesuarları değiştirmeden veya herhangi bir ayarlama yapmadan önce aleti kapatın ve güç kaynağıyla bağlantısını kesin.

Sola MAKSİMUM 48° eğim için, boşluğun sağlanması amacıyla çitin sol tarafı sola ayarlanabilir. Siperi ayarlamak için, siper kilitleme topuzunu (14) gevşetin ve siperi sola doğru kaydırın. Testere kapalıyken deneme yapın ve boşluğu kontrol edin. Kolun yukarı ve aşağı hareketine müdahale etmeksizin iş parçasına maksimum destek sağlamak için çiti bıçağına olabildiğince yakın şekilde ayarlayın. Siper kilitleme topuzunu iyice sıkın. Açı işlemleri tamamlandığında, siperi sağa konumlandırmayı unutmayın.

Siper Hareketi ve Görünürlük (Şek. L)

DİKKAT: Sıkışma Tehlikesi. Yaralanma riskini azaltmak için, kolu aşağıya doğru çekerken baş parmağınızı kolun alt tarafında tutun. Kol aşağı çekildiğinde alt siper yukarı hareket eder ve bu da parmağın sıkışmasına neden olabilir.

Testerenede bulunan bıçak siperi, kol aşağıya getirildiğinde otomatik olarak yukarı kalkacak, kol kaldırıldığında ise bıçağın üstüne inecek şekilde tasarlanmıştır.

Siper, testere bıçakları takılırken veya sökülürken ya da testerenin incelenmesi için elle kaldırılabilir. TESTERE KAPATILANA KADAR BIÇAK SİPERİNİ ELLE KALDIRMAYIN.

NOT: Belirli özel kesimler sırasında siperi elle kaldırmaz gerekir. Bu konuda **Özel Kesimler** başlığı altındaki **Geniş Malzemenin Kesilmesi** konusuna bakın.

Siperin ön kısmı kesme sırasında görünmesi için pencerelidir. Pencere uçları önemli derecede azalsa da siperde boşluklar vardır ve pencerelerden bakarken daima koruyucu gözlük takılmalıdır.

Otomatik Fren

Testerenede, testere bıçağını tetiğin serbest bırakılmasından sonra 5 saniye içerisinde durduran bir otomatik bıçak freni mevcuttur. Bu, ayarlanabilir değildir.

Bazen, tetiğin serbest bırakılmasından sonra frenin devreye girmesinde bir gecikme olabilir. Nadiren fren hiç devreye girmeyebilir ve bıçak durma noktasına gelir.

Bir gecikme veya "atlama" meydana gelirse, testereyi 4 veya 5 kez açılı kapatın. Bu durum sürekli meydana geliyorsa aleti bir DEWALT yetkili servis merkezine götürün.

Kesim plakasından çıkartmadan önce bıçağın durduğundan mutlaka emin olun. Fren, siperlerin yerini alması için tasarlanmamıştır ve tüm dikkatinizi testereye vererek kendi güvenliğinizi sağlamanız gerekir.

Kontroller

Bileşik gönye testerenizin burada kısaca tartışılacak olan birkaç ana kontrolü vardır. Bu kontroller hakkında daha fazla bilgi için kılavuzunu ilerleyen bölümlerine bakın.

Gönye Kontrolü (Şek. A)

Gönye kilit topuzu (5) ve gönye kilit mandalı (6) testerenizi 50° sağa ve sola eğmenize izin verir. Testereyi eğmek için, düğmeyi saat yönünün tersine döndürerek gönye kilitleme topuzunun (5) kilidini açın, gönye kilitleme mandalını (6) sıkın ve gönye ölçeğinde istenen gönye açısını ayarlayın. Gönye kilitleme topuzunu, sıkıca kilitlenene kadar saat tersi yönde çevirin. Gönye kilitleme düğmesinin kilidini açıp gönye kilidini geçersiz kılma kolunu (20) aşağıya doğru iterek gönye kilitleme mandalını geçersiz kılın. Geçersiz kılmadan çıkmak için, gönye kilidini geçersiz kılma kolunu yukarı itin.

Açı Kilidi (Şek. J)

Açı kilitleme topuzu (11), testereyi sola 48° veya sağa 3° eğmenizi sağlar. Kolu gevşetmek ve açı ayarını yapmak için kolu saat tersi yönünde çevirdiğinizde testere kafası kolayca sola eğilir. Sıkıca içine kolu saat yönünde çevirin. Eğim derecesi işaretleri, testere kolunun alt kısmında bulunur (Şek. H).

Kafa Aşağı Kilitleme Pimi (Şek. A)

Testere kafasını aşağı konumda kilitlemek için, kafayı aşağıya itin, kafa kilitleme topuzunu (17) 90° çevirin, yaylı pimin kilitlenmesini bekleyin ve testere kafasını serbest bırakın. Bu, testereyi bir yerden bir yere hareket ettirirken testere kafasını güvenle aşağıda tutacaktır. Serbest bırakmak için, kafa kilitleme topuzunu çekin ve 90° döndürün.

KULLANMA

Kullanma Talimatları

UYARI: Güvenlik talimatlarına ve geçerli yönetmeliklere daima uyun.

UYARI: Ciddi yaralanma riskini azaltmak için herhangi bir ayar yapmadan ya da parça veya aksesuarları söküp takmadan önce aleti kapatın ve güç kaynağından ayırın. Aletin yanlışlıkla çalıştırılması yaralanmaya neden olabilir.

Vücut ve El Konumu (Şek. M1–M4)

UYARI: Ciddi yaralanma riskini azaltmak için, DAİMA şekilde gösterilen uygun tutma pozisyonunu kullanın.

UYARI: Ciddi yaralanma riskini azaltmak için, ani tepki ihtimaline karşı aleti HER ZAMAN sıkıca tutun.

Gönye testereyi kullanırken vücudunuzun ve ellerinizin doğru şekilde konumlandırılması, kesimi daha kolay, daha kesin ve daha güvenli hale getirecektir. Ellerinizi asla kesim alanının yakınına koymayın. Asla ellerinizi bıçağa 152 mm'den daha fazla yaklaştırmayın. Kesim yaparken iş parçasını tablaya ve çite doğru sıkıca tutun. Tetiği bırakana ve bıçak tamamen duruncaya kadar ellerinizi konumunda tutun. BIÇAĞIN HAREKET YOLUNU KONTROL EDEBİLMEZİ İÇİN KESİM ÖNCESİNDE DAİMA KURU ÇALIŞTIRMA (ELEKTRİKSİZ) GERÇEKLEŞTİRİN. ŞEKİL M3'TE GÖSTERİLDİĞİ GİBİ KOLLARINIZI ÇAPRAZ TUTMAYIN.

İki ayağın da sıkıca zeminde olmasını sağlayın ve uygun dengeyi koruyun. Gönye kolunu sola ve sağa hareket ettirdiğinizde, onu takip edin ve testere bıçağının hafifçe yanında durun. Bir kalem izini takip ederken siper hava deliklerine bakın.

Tetik Düğmesi (Şek. N)

Testereyi açmak için kilitleme kolunu **32** aletin arka kısmına doğru çekin ve ardından tetik düğmesine **1** basın. Testere, düğmeye basıldığı sürece çalışır. Kesimi yapmadan önce bıçağın tam çalışma hızında dönmeye izin verin. Testereyi kapatmak için ise, tetik düğmesini serbest bırakın. Testere kafasını kaldırmadan önce bıçağın durmasını bekleyin. Düğmenin kilidinin açık konuma getirilmesi için herhangi bir koşul yoktur. Testereyi kilitlemek üzere bir asma kilit takmak için tetikte bir delik **33** mevcuttur.

Kesim yerinden çıkartmadan önce bıçağın durduğundan mutlaka emin olun.

Toz Emme (Şek. O)

UYARI: Ciddi yaralanma riskini azaltmak için taşımadan, herhangi bir ayar yapmadan ya da parça veya aksesuarları söküp takmadan önce aleti kapatın ve güç kaynağıyla bağlantısını kesin. Kazara çalıştırma yaralanmaya neden olabilir.

UYARI: Kayın ve meşe tozu gibi bazı tozlar, özellikle ağaç işleme katkı maddeleriyle birleştiğinde kansere yol açıcı maddeler olarak bilinmektedir.

- Daima toz emici donanım kullanın.
- Çalışma alanının iyi havalandırmasını sağlayın.
- Uygun bir maske kullanmanız önerilmektedir.

DİKKAT: Toz torbası veya DEWALT toz emici yerinde olmadığı takdirde bu testereyi çalıştırmayın. Aşşap tozu solunum tehlikesi oluşturabilir.

DİKKAT: Her kullanımdan sonra toz torbasını kontrol edip temizleyin.

UYARI: Alüminyum keserken, yangın riskini önlemek için toz torbasını çıkarın.

Gönye testerenizde ürünle geçen toz torbasına **34**, 35 mm nozüllere veya DEWALT AirLock'a (DWV9000-XJ) doğrudan bağlantı yapılmasını sağlayan dahili bir toz portu **12** mevcuttur. Çalışılan malzeme için ülkenizde geçerli olan düzenlemelere uyun.

Toz Torbasını Yerleştirmek İçin

1. Toz torbasını **34** Şekil O'da gösterildiği gibi toz portuna **12** takın.

Toz Torbasını Boşaltmak İçin

1. Toz torbasını **34** testereden çıkarın ve boşaltmak için hafifçe sallayın veya vurun.
2. Toz torbasını toz çıkışına **12** geri takın.

Tozun tamamının torbadan çıktığını görebilirsiniz. Bu, kesme performansını etkilemeyecek, ancak testerenin toz toplama verimliliğini azaltacaktır. Testerenizin toz toplama verimliliğini eski haline getirmek için boşaltırken toz torbasının içindeki yayı bastırın ve çöp kutusu veya toz haznesinin kenarına vurun.

Harici Toz Toplayıcı (Şek. O)

Özellikle sağlığa zararlı veya kanserojen özelliğe sahip kuru tozları vakumla çekerken özel toz Sınıfı M olan bir vakumlu süpürge kullanın.

Bir AirLock Uyumlu Toz Toplayıcıya Bağlama (Şek. O)

Gönye testerenizdeki toz emme portu **12** EWALT AirLock bağlantı sistemiyle uyumludur. AirLock, toz toplayıcı hortumu **38** ve gönye testere arasında hızlı ve güvenli bağlantı sağlar.

1. AirLock konektörü **39** üzerindeki kelepçenin kilit açık konumunda olduğundan emin olun. (Şek. O'ya bakın.) Kelepçe ve AirLock konektörü üzerindeki çentikleri **40** açık kilit ve kilit konumlarında gösterildiği gibi hizalayın.
2. AirLock konektörünü toz emme portuna **12** bastırın.
3. Kelepçeyi kilitli konuma döndürün.

NOT: Kelepçe içindeki bilyeli rulmanlar yuvaya kilitlenir ve bağlantıyı emniyete alır. Gönye testere artık toz toplayıcıya sağlam bir şekilde bağlanmıştır.

Testerenizle Kesme İşlemleri

NOT: Bu testere aşışabı ve birçok demir harici malzemeyi kestiği halde, bu kullanım talimatları yalnızca aşışap kesme ile sınırlıdır. Aynı yönergeler diğer malzemeler için de geçerlidir.

BU TESTERE İLE DEMİR TÜREVİ (DEMİZ VE ÇELİK) MALZEMELERİ VEYA DUVAR MALZEMELERİNİ KESMEYİN. Aşırdırıcı bıçak kullanmayın.

Enine kesim (Şek. N)

Birden çok parçanın kesilmesi önerilmez ancak her bir parçanın tabla ve çite dayanacak şekilde sıkıca tutulması sağlanırsa güvenli bir şekilde yapılabilir. Bir enine kesim, aşışabı damar boyunca herhangi bir açıda keserek yapılır. Bir enine düz kesim gönye testere ile sıfır derece konumunda yapılır. Gönye kolunu sıfıra ayarlayın, aşışabı tabla üzerinde ve çite dayanacak şekilde sıkıca tutun. Şekil N'de gösterilen tetik düğmesini sıkarak testereyi çalıştırın.

Testere hızlandığında (yaklaşık 1 saniye), kolu hafifçe alçaltın ve aşışabı yavaşça kesin. **Kolu yükseltmeden önce bıçağın tam olarak durmasına izin verin.**

DİKKAT: Kontrolü sağlamanın yanı sıra iş parçasında hasar ve yaralanma riskini önlemek için daima bir iş kelepçesi kullanın.

Boydan boya gönye kesimleri gönye koluya sıfır harici herhangi bir açıda yapılır. Bu açı köşe yapmak için genellikle 45° olur, ancak soldan veya sağdan sıfır ile 50° aralığında herhangi bir yere ayarlanabilir. İsteddiğiniz gönye açısını seçtikten sonra, gönye kilitleme topuzunu sıkı olduğunuzdan emin olun. Kesimi yukarıda açıklandığı gibi yapın.

Bir aşışap parçası üzerinde mevcut bir kalem hattından kesim yapmak için açığı mümkün olduğu kadar yakın eşleştirin. Gönye açısını hangi yöne ayarlanacağını belirlemek ve yeniden kesmek için önce aşışabı biraz uzun kesin ve kalemle çizilen hatla kesim kenarı arasındaki mesafeyi ölçün. Bunun için biraz pratik gerekir fakat yaygın kullanılan bir tekniktir.

Açılı Kesim (Şek. A)

Bir açılı kesim, testere bıçağıyla aşışap üzerinde bir açıda yapılan enine kesimdir. Açığı ayarlamak için, açılama kilit düğmesini **11** gevşetin ve testereyi istediğiniz kadar sola hareket ettirin. (Boşluk sağlamak için çitin sol tarafını hareket ettirmek gerekir). İstenen eğim açısı ayarlandıktan sonra açılama kelepçesi kolunu sağlam şekilde sıkın.

Eğim açıları sağdan 3° ve soldan 48° arası ayarlanabilir ve gönye kolu sol veya sağda sıfır ile 50° arasında ayarlanarak kesilebilir. Çitin doğru ayarlandığından emin olun. Sol açılı veya sağ gönye bileşik kesimler için, ayarlanabilir çiti çıkarmak gerekir.

Kesme kalitesi

Herhangi bir kesimin düzgünlüğü, kesimin kalitesine katkıda bulunan bir çok şeye bağlıdır: kesilen malzeme, bıçak tipi, bıçak keskinliği ve kesim hızı, kesimin kalitesine katkıda bulunur. Kalıplama ve diğer hassas çalışmalar için en pürüzsüz kesimler istenildiğinde, keskin bir (60-80 dişli karbür) bıçak ve daha yavaş, dengeli bir kesme hızı istenilen sonuçları verecektir.

Keserken malzemenin kaymadığından emin olun. Yerine sağlam bir şekilde kelepçeyi. Kolu yükseltmeden önce, daima bıçağın tam olarak durmasını bekleyin.

Parçanın arkasından halen küçük aşışap parçaları dökülüyorsa, kesiyiğin yapılacağı yerde aşışabın üzerine bir parça maskeleme bandı yapıştırın. Bandın üzerinden kesin ve kesme işlemi bittiğinde bandı dikkatli bir şekilde çıkarın.

Değişik kesme uygulamaları için testerenizde kullanım açısından önerilen bıçak listesine bakın ve size en uygun olanı seçin. Doğru testere bıçağı için bkz. **Testere Bıçakları/ İsteğe Bağlı Aksesuarlar.**

İş Parçasını Sabitleme

UYARI: Ciddi yaralanma riskini azaltmak için, hareket ettirmeden, aksesuarları değiştirmeden veya herhangi bir ayarlama yapmadan önce aleti kapatın ve güç kaynağıyla bağlantısını kesin.

UYARI: Bir kesimden önce kelepçelenmiş, dengeli ve güvenli olan iş parçası, kesim tamamlandıktan sonra dengesini kaybedebilir. Dengesiz bir yük testereyi veya bir masa veya tezgah gibi testerenin takılı olduğu herhangi bir şeyi yana yatırabilir. Dengesiz hale gelebilecek bir kesim yaparken, iş parçasını düzgün şekilde destekleyin ve testerenin sabit bir yüzeye sağlam şekilde civatalandığından emin olun. Yaralanmayla sonuçlanabilir.

UYARI: Kelepçenin her kullanışında, kelepçe ayağının testere tabanının yukarısına kelepçeli kalması gereklidir. Daima iş parçasını, çalışma alanındaki herhangi bir başka parçaya değil, testerenin tabanına kelepçeyin. Kelepçe ayağının testere tabanının kenarına kelepçelenmediğinden emin olun.

DİKKAT: Kontrolü sağlamanın yanı sıra iş parçasında hasar ve yaralanma riskini önlemek için daima bir iş kelepçesi kullanın.

İş parçasını tezgaha veya çite elle sabitleyemiyorsanız (düzensiz şekil vb.) veya eliniz bıçağa 100 mm'den daha yakın mesafedeyse bir testere veya başka sabitleyici kullanılmalıdır.

En iyi sonuçlar için testereyle birlikte verilen kelepçeyi kullanın.

Yay kelepçeler, çubuk kelepçeler veya C kelepçeler gibi başka destek elemanları belli boyutlar ve şekillerdeki malzemeler için gerekli olabilir. Bu kelepçeleri seçerken ve yerleştirirken dikkatli olun. Kesim işleminden önce bir kuru çalıştırma için zaman ayırın. Kelepçelemeye yardımcı olması için soldaki çiti baştan başa kaydırın.

Kelepçenin Takılması (Şek. A)

1. Kelepçeyi, tabandaki dört konumdan **15** birine getirin.
2. Kelepçenin kolunu yukarı kaldırarak yüksekliği hızlıca ayarlayabilir, ardından iş parçasını sıkıca bağlamak için ince ayar düğmesini kullanın.

NOT: Açıldığında kelepçeyi tabanın zıt tarafına yerleştirin. • BIÇAĞIN YOLUNU KONTROL EDEBİLMEZİ İÇİN KESİMLERİ BİTİRMEYİN ÖNCE DAİMA KURU ÇALIŞTIRMA (ELEKTRİKSİZ) GERÇEKLEŞTİRİN. KELEPÇENİN, TESTERE VEYA SİPERLERİN HAREKETİNE MÜDAHALE ETMEDİĞİNDEN EMİN OLUN.

Uzun Parçaların Desteklenmesi

UYARI: Ciddi yaralanma riskini azaltmak için, hareket ettirmeden, aksesuarları değiştirmeden veya herhangi bir ayarlama yapmadan önce aleti kapatın ve güç kaynağıyla bağlantısını kesin.

UZUN PARÇALARI DAİMA DESTEKLEYİN.

Asla bir tezgah uzantısı yerine başka bir insanı veya basit gönye testere tezgahından uzun veya geniş olan bir iş parçası için ilave destek olarak veya iş parçasını beslemek, desteklemek veya çekmek için kullanmayın.

En iyi sonuçlar için, testerenizin tezgah genişliğini artırmak üzere DWX723, DE7260 veya DE7033 gönye testere tezgahı kullanın. Bu, satıcınızdan ek bir ücret karşılığında temin edilebilir.

Uçların düşmesini önlemek için testere tezgahları veya benzeri aletler gibi uygun yöntemlerle uzun iş parçalarını destekleyin.

Resim Çerçevesi, Gölge Kutuları ve Diğer Dört Kenarlı Projeleri Kesme (Şek. P)

Burada listelenen öğelerin nasıl yapılacağını en iyi şekilde anlamak için testereniz için bir "HİS" geliştirmeden önce hurda ahşap parçalarını kullanarak birkaç basit deneme yapmanızı öneriyoruz.

Testereniz, Şekil P'de gösterildiği gibi köşelerde gönye kesim için mükemmel bir alettir. Şekil P'deki Çizim A, 90° bir köşe oluşturmak üzere iki tahtaya 45° kenar eğimi yapmak için açığı ayarlayarak yapılan bir bağlantıyı göstermektedir. Bu bağlantı için gönye kolu sıfır konumuna kilitletir ve açığı 45°de kilitletir. Ahşap, geniş düz tarafı tablaya, dar kenarı da çite dayanacak şekilde konumlandırılır. Bu kesim, çite karşı geniş yüzeyle sağ ve sol gönyeleme yapılarak da gerçekleştirilebilir.

Trim Çıtasının ve Diğer Çerçevelerin Kesilmesi (Şek. P)

Şekil P'deki Çizim B 90° bir köşe oluşturmak için iki panoya 45°de gönye kolunu ayarlayarak yapılan bir bağlantıyı gösterir. Bu tip bir bağlantıyı yapmak için, açığı ayarlamayı sıfıra ve gönye kolunu 45°ye ayarlayın. Bir kere daha, ahşabı geniş düz tarafı tablaya, dar kenarı da çite dayanacak şekilde konumlandırın.

Şekil P'deki iki çizim yalnızca dört kenarlı nesnelere içindir.

Kenar sayısı değiştiğinde, gönye ve açılama açıları da değişir. Aşağıdaki çizelge bir dizi şekil için doğru açıları sunar. Bu tabloda tüm kenarların eşit uzunluğa sahip olduğu varsayılmaktadır. Çizelgede gösterilmeyen bir şekil için, aşağıdaki formülü kullanın. 180° açının kenar sayısına bölümü, gönye veya eğim açısına eşittir.

ÖRNEKLER

Kenar Sayısı	Açı Gönye veya Eğim
4	45°
5	36°
6	30°
7	25,7°
8	22,5°
9	20°
10	18°

Bileşik Gönyelerin Kesilmesi (Şek. Q, R)

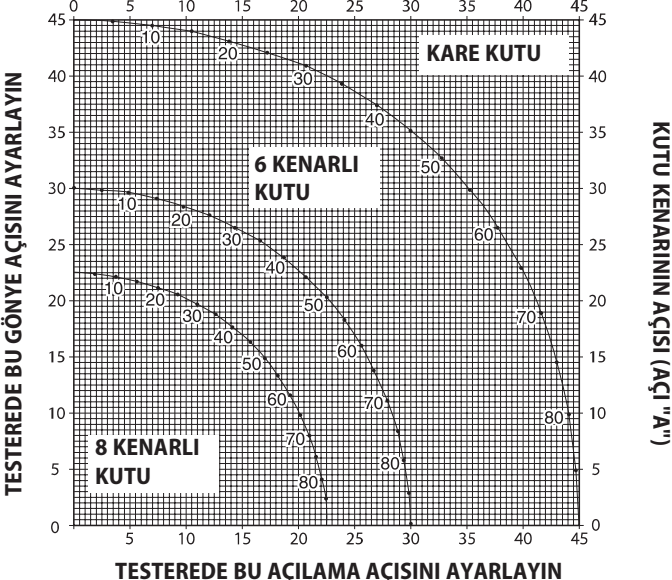
Bileşik gönye, aynı anda bir gönye açısı ve açılama açısı kullanılarak yapılan bir kesimdir. Bu, Şekil Q'da gösterilen gibi meyilli kenarlara sahip çerçeveler veya kutular yapmak için kullanılan kesim tipidir.

NOT: Kesme açısı kesimden kesime değişiklik gösteriyorsa, açılama kelepçesi kolu ve gönye kilitleme kolunun güvenli şekilde kilitletiğini kontrol edin. Açığı veya gönyede herhangi bir değişiklik yaptıktan sonra bu kollar sıkılmalıdır.

Bu çizelge (Tablo 1) yaygın bileşik gönye kesimleri için düzgün eğim ve gönye ayarlarını seçmekte size yardımcı olacaktır. Çizelgeyi kullanmak için, çizelgedeki uygun kavisteki o açığı bularak, istenen "A" açısını (Şek. R) seçin. Doğru açılama açısını bulmak için o noktadan itibaren çizelgeyi aşağıya doğru düz, doğru gönye açısını bulmak için düz çapraz takip edin.

Testerenizi saptanan açılara ayarlayın ve birkaç deneme kesimi yapın. Bu prosedür için bir anlayış oluşturana ve rahat hissedene kadar kesilmiş parçaları birbirine takarak pratik yapın.

ÖRNEK: 26° dış açıya sahip 4 kenarlı bir kutu yapmak için (Açı A, Şekil R), sağ üst kavisi kullanın. Kavis ölçeğinde 26°yi bulun. Testerede gönye açısı ayarını elde etmek için (42°) herhangi bir kenardan yatay kesişim hattını takip edin. Aynı şekilde, testeredeki açılama açısını elde etmek için (18°) üst veya alttan dikey kesişim hattını takip edin. Testeredeki ayarları doğrulamak için daima birkaç eski ahşap parçasında deneme kesimleri yapın.



Gönye Ölçeği (Şek. A)

Gönye ölçeği 7 açılı hesaplamak için kullanılır. Uygun gönye açısını hesaplamak için 180°yi kutu veya çerçeve kenarlarının sayısına bölün. Bkz. **Örnekler.**

Sağa Gönyeleme Yaparken

Sağa doğru gönyeleme yaparken gönye açısını artırmak için, uygun verniye işaretini gönye ölçeğindeki en yakın işaret ile sağa hizalamak için kolu hareket ettirin. Sağa doğru gönyeleme yaparken gönye açısını azaltmak için, uygun verniye işaretini gönye ölçeğindeki en yakın işaret ile sola hizalamak için kolu hareket ettirin.

Sola Gönyeleme Yaparken

Sola doğru gönyeleme yaparken gönye açısını artırmak için, uygun verniye işaretini gönye ölçeğindeki en yakın işaret ile sola hizalamak için kolu hareket ettirin. Sola doğru gönyeleme yaparken gönye açısını azaltmak için, uygun verniye işaretini gönye ölçeğindeki en yakın işaret ile sağa hizalamak için kolu hareket ettirin.

Süpürgelik Çıtasının Kesilmesi

KESİM YAPMADAN ÖNCE TESTERE KAPALIKEN BİR DENEME KESİMİ YAPIN.

Düz 90° Kesimler (Şek. S)

Ahşabı Şekil S'de gösterildiği gibi çitin üzerine yerleştirin. Testereyi çalıştırın, bıçağın tam hıza ulaşmasını bekleyin ve kolu düzgünce kesime doğru indirin.

Sipere Karşı Dikey Olarak Maksimum 89 mm Yükseklikte Süpürgelik Çıtasının Kesilmesi (Şek. L, S)

Süpürgeliği Şekil S'de gösterildiği gibi yerleştirin.

Tüm kesimler, kalıbın arka kısmı çite, süpürgeliğin altı da tabana dayanacak şekilde yapılır.

	İç köşe	Dış köşe
Sol yan	1. Gönye sol 45° 2. Kesimin sol tarafını kaydet	1. Gönye sağ 45° 2. Kesimin sol tarafını kaydet
Sağ taraf	1. Gönye sağ 45° 2. Kesimin sağ tarafını kaydet	1. Gönye sol 45° 2. Kesimin sağ tarafını kaydet

Maksimum 89 mm'ye kadar malzeme yukarıda açıklandığı şekilde kesilebilir. Daha geniş tahtalar [108 mm'ye kadar] için birkaç küçük istisnai ayarlama yapılabilir.

Genişliği 89 mm ve 108 mm arasında olan bir tahta kesilirken, korumanın ucundaki rulo iş parçasına takılabilir. Bu gerçekleşirse, sağ başparmağını siperin üst tarafına yerleştirin ve siperi, Şekil L'de gösterildiği gibi iş parçasını temizleyecek kadar yukarı doğru döndürün. İş parçasını temizledikten sonra siperi serbest bırakabilirsiniz ve kesim ilerledikçe açılmaya devam eder.

Şekil U'da olduğu gibi, siperin karşısında dik olarak duran 89 mm'den daha geniş bir süpürgeliğin sağ tarafında gönye kesim yaparken, testere sadece tahtanın ucundan 1 inç'e kadar olan tahta boyunca kesim yapabilir. Bir inçten daha uzun kesmeye çalışmak, testerenin dişli kutusunun iş parçasına takılmasına neden olur. Dikey olarak 89 mm ve 108 mm arası genişlikte süpürgelik kesmek istiyorsanız, aşağıdaki talimatları izleyin.

Sipere Karşı Dikey Olarak Maksimum 89 mm–108 mm Süpürgelik Çıtasının Kesilmesi (Şek. S)

- Süpürgeliği Şekil S'de gösterildiği gibi yerleştirin.
- Tüm kesimler, süpürgeliğin çite yaslanan arkasında yapılır.

	İç köşe	Dış köşe
Sol yan*	1. Süpürgeliği, alt kısmı testere tabanına dayanacak şekilde yerleştirin 2. Gönye sol 45° 3. Kesimin sol tarafını kaydet	1. Süpürgeliği, alt kısmı testere tabanına dayanacak şekilde yerleştirin 2. Gönye sağ 45° 3. Kesimin sol tarafını kaydet
Sağ taraf	1. Süpürgeliği, alt kısmı testere tabanına yaslanacak şekilde yerleştirin 2. Gönye sağ 45° 3. Kesimin sağ tarafını kaydet	1. Süpürgeliği, alt kısmı testere tabanına dayanacak şekilde yerleştirin 2. Gönye sol 45° 3. Kesimin sağ tarafını kaydet

* **NOT:** Kesimin, süpürgeliğin ucundan itibaren 1" mesafe haricinde başka bir yerde yapılması gerekiyorsa: süpürgeliği 90° açıda, nihai uzunluktan yakl. 25,4 mm daha uzun kesin ve ardından yukarıda açıklandığı şekilde gönye kesim yapın.

Bu kesimi yapmanın diğer bir yöntemi de burada sıfır derece bir gönye, 45° açılı kesim yapmaktır. Testerenizle 158 mm genişliğinde bir açı kesebilirsiniz.

Düz Uzanan Süpürgeliğin Kesilmesi ve Eğim Özelliğinin Kullanılması

- Tüm kesimler testere 45° eğim ve 0 gönye ayarlanarak yapılır.
- Bütün kesimler testerenin üzerinde düz uzanan süpürgeliğin arka kısmıyla yapılır.
- Aşağıdaki kesimlerden herhangi birini denemeden önce soldaki çiti, bıçağın güzergahından uzağa taşıyın.

	İç köşe	Dış köşe
Sol yan	1. Süpürgeliği, üst tarafı çite bakacak şekilde yerleştirin	1. Süpürgeliği, alt tarafı çite bakacak şekilde yerleştirin
	2. Kesimin sol tarafını kaydet	2. Kesimin sol tarafını kaydet
Sağ taraf	1. Süpürgeliği, alt tarafı çite bakacak şekilde yerleştirin	1. Süpürgeliği, üst tarafı çite bakacak şekilde yerleştirin
	2. Kesimin sağ tarafını kaydet	2. Kesimin sağ tarafını kaydet

Kartonpiyerin Kesilmesi

Gönye testereniz, kartonpiyerin kesilmesi görevine en uygun alettir. Düzgün şekilde uyması için, kartonpiyerin bileşik gönyeye son derece doğru bir şekilde ölçülmesi gerekir. Belirli bir kartonpiyerin parçası üzerindeki iki düz yüzey birlikte toplandığında tam olarak 90°'ye eşit açılardadır. Tüm olmasa da çoğu kartonpiyer 52°'lik bir üst arka açıya (tavana düz gelen bölüm) ve 38°'lik bir alt arka açıya (duvara düz gelen bölüm) sahiptir. Gönye testere kartonpiyeri doğru açıda kesmek için 31.62° sol ve sağda özel ön ayarlı gönye kilitleme noktalarına sahiptir. Ayrıca 33.85°'de açılama ölçüğünde de bir işaret bulunmaktadır. Kartonpiyerin kesilmesine dönük doğru ayarlar **Açılama Ayarı/Kesim Türü** tablosunda verilmektedir. (Gönye ve açılama ayarları için sayılar son derece hassastır ve testerenizde doğru şekilde ayarlamak kolay olmayabilir.) Çoğu odada tam 90°'lik açılar bulunmadığı için bir ince ayar yapmanız gerekir.

HURDA MALZEME İLE ÖN TEST YAPILMASI SON DERECE ÖNEMLİDİR!

Düz Uzanan Kartonpiyerin Kesilmesi ve Bileşik Özelliklerinin Kullanılması (Şek. T)

- Aşağıdaki kesimlerden herhangi birini denemeden önce sürgülü çiti **10** bıçağın güzergahından uzağa taşıyın.
- Testere tezgahında geniş arka yüzeyi aşağıda düz uzanan kartonpiyer **36** (Şek. T).

AÇILAMA AYARI	KESİM TÜRÜ
33,9°	SOL TARAF, İÇ KÖŞE
	1. Kalıbın üst kısmı çite
	2. Gönye tezgah ayarı sağ 31.6°
33,9°	SAĞ TARAF, İÇ KÖŞE
	1. Kalıbın alt kısmı çite
	2. Gönye tezgah ayarı sol 31.6°
33,9°	SOL TARAF, DIŞ KÖŞE
	1. Kalıbın alt kısmı çite
	2. Gönye tezgah ayarı sol 31.6°
33,9°	SAĞ TARAF, DIŞ KÖŞE
	1. Kalıbın üst kısmı çite
	2. Gönye tezgah ayarı sağ 31.6°

Tüm bileşik gönyeler için eğim ve gönye açıları ayarlanırken şunları unutmayın:

Kartonpiyer için sunulan açılar çok hassastır ve tam olarak ayarlanması zordur. Hafif kaydırması kolay olduğu ve çok az oda tam kare köşelere sahip olduğu için, tüm ayarlar hurda malzemeler üzerinde test edilmelidir.

HURDA MALZEME İLE ÖN TEST YAPILMASI SON DERECE ÖNEMLİDİR!

Kartonpiyerin Kesimi İçin Alternatif Yöntem (Şek. U)

Kartonpiyeri, Şekil U'da gösterildiği gibi, sürgülü çit **10** ile testere tezgahı **36** arasındaki bir açıyla tezgahın üzerine yerleştirin. Hassasiyet ve kolaylık sağlanması nedeniyle kartonpiyer kesimi çit aksesuarının (DW7084) kullanılması şiddetle önerilir. Kartonpiyer kesimi çit aksesuarı yerel satıcınızdan ek bir ücret karşılığında temin edilebilir.

Bu yöntemi kullanarak tepe kalıbı kesmenin avantajı herhangi bir açılı kesime gerek olmamasıdır. Gönye açısındaki minik değişiklikler açılama açısına etki etmeden yapılabilir. Bu şekilde, 90° harici kenarlarla karşılaştığında, testere bunlar için hızlıca ve kolayca ayarlanabilir. Kartonpiyerin duvarda duracağı açığı korumak için kartonpiyer kesimi çit aksesuarı (DW7084) kullanın.

Tüm Kesimler İçin Çit Ve Testere Tabanı Arasında Açılı Verilmiş Kartonpiyerin Kesilmesine Dair Talimatlar (Şek. U)

- Kartonpiyerin altı (takıldığında duvara yaslanan parça) çite, kartonpiyerin üstü de Şekil U'da gösterildiği gibi testere tabanına yaslanacak şekilde kartonpiyere açılı verin.
- Kartonpiyerin arkasında açılı verilen "düz kısımlar" çit ve testere tabanında dümdüz uzanmalıdır.

	İç köşe	Dış köşe
Sol yan	1. Gönye sağ 45°	1. Gönye sol 45°
	2. Kesimin sağ tarafını kaydet	2. Kesimin sağ tarafını kaydet
Sağ taraf	1. Gönye sol 45°	1. Gönye sağ 45°
	2. Kesimin sol tarafını kaydet	2. Kesimin sol tarafını kaydet

Özel Kesimler

MALZEME TEZGAH ÜZERİNDE VE ÇİTE KARŞI SABİTLENMEDİKÇE ASLA HERHANGİ BİR KESME İŞLEMİ YAPMAYIN.

Alüminyum Kesme (Şek. A, V, W)

DAİMA ALÜMİNYUM KESMEK İÇİN ÖZEL OLARAK YAPILMIŞ UYGUN TESTERE BİÇAĞINI KULLANIN. Bunlar yerel DeWALT bayinizde veya DeWALT servis merkezinde bulunabilir. Kimi iş parçalarında, boyutları, şekli veya yüzey kalitesi nedeniyle, kesim sırasında hareket etmesini önlemek için bir kelepçe veya bağlama düzeneği kullanılması gerekebilir. Malzemeyi Şekil V'de gösterildiği gibi, enine en ince kesiti kesecek şekilde yerleştirin. Şekil W'de, bu uzantıları kesmenin yanlış yöntemi gösterilmektedir. Alüminyum keserken bir çubuk mum kesme yağı kullanın. Kesmeden önce çubuk mumu doğrudan testere bıçağına **26** uygulayın. Çubuk mumu asla hareket eden bir bıçağa uygulamayın.

Pek çok hırdavatçı ve endüstriyel ürün tedarikçisinde bulunan balmumu, uygun yağlama sağlar ve talaşların bıçağa yapışmasını önler.

İş parçasını uygun şekilde sabitlediğinizden emin olun. Doğru testere bıçağı için bkz. **Testere Bıçakları/ İlave Aksesuarlar**.

Eğilmiş Malzeme (Şek. X, Y)

Eğilmiş malzemeyi keserken asla Şekil Y'de gösterildiği gibi değil daima Şekil X'te gösterildiği gibi yerleştirin. Malzemenin yanlış yerleştirilmesi, bıçağın kesim yapılan yere sıkışmasına neden olur.

Plastik Boru ve Başka Yuvarlak Malzemenin Kesilmesi

Plastik borular testerenizle kolaylıkla kesilebilir. Bunlar da aynen ahşap gibi kesilmelidir ve **YUVARLANMALARINI ÖNLEMEK İÇİN ÇİTE KELEPÇEYİLE SABİTLENMELERİ VEYA ÇİTE DAYANACAK ŞEKİLDE SIKICA TUTULMALARI GEREKİR**. Açılı kesimler yaparken bu aşırı derecede önemlidir.

Geniş Malzemenin Kesilmesi (Şek. L)

Bazen bıçak siperine sığmayacak kadar geniş bir ahşap parçasıyla karşılaşabilirsiniz. Siper, Şekil L'de gösterildiği gibi güzergahın çekilerek ekstra bir yükseklik elde edilebilir. Bunu mümkün olduğunca yapmaktan kaçınin, ancak gerekirse, testere düzgün çalışmalı ve daha büyük kesimler yapmalıdır. BU TESTEREYİ ÇALIŞTIRIRKEN ASLA BAĞLAMAYIN; BANTLAMAYIN YA DA SİPERİ AÇIK BIRAKMAYIN.

BAKIM

Elektrikli aletiniz minimum bakımla uzun bir süre çalışacak şekilde tasarlanmıştır. Kesintisiz olarak memnuniyet verici bir şekilde çalışması gerekli özenin gösterilmesine ve düzenli temizliğe bağlıdır.

UYARI: Ciddi yaralanma riskini azaltmak için herhangi bir ayar yapmadan ya da parça veya aksesuarları söküp takmadan önce aleti kapatın ve güç kaynağından ayırın.Aletin yanlışlıkla çalıştırılması yaralanmaya neden olabilir.

Plastik siperin çevresinde yağlayıcı veya temizleyici (özellikle sprey veya aerosol) KULLANMAYIN. Siperde kullanılan polikarbonat malzeme belli kimyasallar tarafından saldırıya maruz kalabilir.

- Tüm yataklar sızdırmazdır. Ömür boyu herhangi bir yağlama veya bakım gerekmez.
- Tüm tozu ve ahşap yongalarını taban ve döner tabanın etrafından VE ALTINDAN düzenli olarak temizleyin. Kirlerin geçmesini sağlamak için yuvalar mevcut olsa da, bir miktar toz birikebilir.
- Fırçalar uzun yıllar kullanılabilir şekilde tasarlanmıştır. Fırçaları değiştirmek için, aleti en yakındaki servis merkezine götürün. Servis merkezlerinin adresi bir liste halinde sunulmuştur.



Yağlama

Elektrikli aletiniz ek bir yağlama gerektirmemektedir.



Temizleme

UYARI: Havalandırma deliklerinde ve etrafında toz toplanması halinde bu tozu ve kiri kuru hava kullanarak ana gövdeden uzaklaştırın. Bu işlemi gerçekleştirirken onaylı bir göz koruması ve onaylı toz maskesi takın.

UYARI: Aletin metalik olmayan parçalarını temizlemek için asla çözücü veya başka sert kimyasal kullanmayın. Bu kimyasallar bu parçalarda kullanılan malzemeleri güçsüzdür. Yalnızca su ve yumuşak sabunla nemlendirilmiş bir bez kullanın. Aletin içine herhangi bir sıvının girmesine izin vermeyin; aletin herhangi bir parçasını bir sıvı içine daldırmayın.

İlave Aksesuarlar

UYARI: DeWALT tarafından tedarik veya tavsiye edilenler dışındaki aksesuarlar bu ürün üzerinde test edilmediğinden, söz konusu aksesuarların bu aletle birlikte kullanılması tehlikeli olabilir. Yaralanma riskini azaltmak için bu ürünü birlikte sadece DeWALT tarafından tavsiye edilen aksesuarlar kullanılmalıdır.

Uygun aksesuarlarla ilgili daha fazla bilgi almak için satış noktalarıyla görüşün.

Testereniz için tasarlanmış olan aşağıdaki aksesuarlar faydalı olabilir. Bazı durumlarda yerel olarak edinilmiş iş destekleri, uzunluk sınırları, kelepçeler vb. daha uygun olabilir. Aksesuarları seçerken ve kullanırken dikkatli olun.

Ayarlanabilir Uzunluk Freni: DW7051

Bir iş desteğinin kullanılması gerekir. 0 ila 107 cm arası aynı uzunlukta tekrar eden kesimler gerçekleştirmek için kullanılır.

Kelepçe: DW7082

Hassas kesim için iş parçasını testere çitine sıkıca kelepçelemek için kullanılır.

Toz Torbası: DE7053**Bazı modellerde dahildir**

Kolay boşaltma için fermuara sahip olan toz torbası üretilen testere tozunun çoğunu yakalayacaktır.

Kartonpiyer Çiti: DW7084

Kartonpiyerin hassas kesimi için kullanılır.

Gönye Testere Tezgahları: DWX723, DE7260, DE7033

Gönye testere için sağlam ve dengeli çalışma platformu sağlar.

Testere Bıçakları

DAİMA, 16 MM ÇARK DELİKLERİNE SAHİP 254 MM TESTERE BIÇAKLARI KULLANIN. HIZ DEĞERİ EN AZINDAN 5500 RPM OLMALIDIR. Daha küçük çaplı bir bıçağı asla kullanmayın. Düzgün şekilde korunmayacaktır. Yalnızca enine kesim bıçakları kullanın! Oluk açmak için tasarlanan bıçaklar, kombinasyon bıçakları veya 7°dereceyi aşan kanca açalarına sahip bıçakları kullanmayın.

BIÇAK AÇIKLAMALARI		
UYGULAMA	ÇAP	DIŞLER
İnşaat Testere Bıçakları (yapışmayan kenarlı ince kertik)		
Genel Amaçlı	254 mm	40
Hassas Enine Kesimler	254 mm	60
Ahşap İşleme Testere Bıçakları (pürüzsüz, temiz kesimler sağlar)		
Hassas enine kesimler	254 mm	80
Demir dışı metaller	254 mm	80
NOT: Demir içermeyen metalleri kesmek için, yalnızca bu amaç için tasarlanmış TCG dişli testere bıçaklarını kullanın.		

Çevrenin Korunması

Ayrı toplama. Bu işaretlenmiş simgeyle ürün normal evsel atıklarla birlikte çöpe atılmamalıdır.

Bazı malzemeleri içeren ürün geri dönüştürülebilir veya geri kazanılabilir, bu da bazı hammaddeler için talebi azaltabilir. Lütfen elektrikli ürünleri yerel yasal mevzuata uygun şekilde geri dönüşüme tabi tutun. Daha ayrıntılı bilgiler www.2helpU.com adresinde mevcuttur.

Sanayi ve Ticaret Bakanlığı tebliğince kullanım ömrü 7 yıldır.

Türkiye Distribütörü**Stanley Black & Decker Turkey Alet Üretim San. Tic. Ltd.Şti.**

AND Kozyatağı - İçerenköy Mah. Umut Sok. AND Ofis Sit. No: 10-12 / 82-83-84
Ataşehir/İstanbul, Türkiye

Tel: +90 216 665 2900

Faks: +90 216 665 2901

www.dewalt.com.tr

info-tr@sbddinc.com

Sorun Giderme Rehberi**GÜVENLİK KURALLARI VE TALIMATLARINA MUTLAKA UYUN**

SORUN!	YANLIŞ OLAN NEDİR?	NE YAPMALI
Testere çalışmıyor	Testere prize takılı değil	Testereyi prize takın.
	Sigorta atmış veya devre kesici açılmış	Sigortayı değiştirin veya devre kesiciyi sıfırlayın.
	Kablo hasar görmüş	Kablonun yetkili servis merkezinde değiştirilmesini sağlayın.
	Fırçalar aşınmış	Fırçaların yetkili servis merkezinde değiştirilmesini sağlayın veya kendiniz değiştirin.
Testere istendiği gibi olmayan kesimler yapıyor	Bıçak körelmiş	Bıçağı değiştirin. Bkz. Bir Testere Bıçağının Değiştirilmesi veya Yenisinin Takılması.
	Bıçak geriye monte edilmiş	Bıçağı etrafında döndürün. Bkz. Bir Testere Bıçağının Değiştirilmesi veya Yenisinin Takılması.
	Bıçak üzerinde çapak veya boşluk	Bıçağı çıkartın, kaba çelik yünü, terebentin veya ev tipi fırın temizleyicisiyle temizleyin.
	Yapılan iş için yanlış bıçak	Bıçak türünü değiştirin. Bkz. Testere Bıçakları / Aksesuarlar.
Bıçak gerekli hıza gelmiyor	Uzatma kablosu çok hafif veya çok uzun	Uygun ebattaki kabloyla değiştirin. Bkz. Gönye Testere için Ek Güvenlik Kuralları.
	Evdeki akım düşük	Elektrik dağıtım şirketine başvurun.
Makine aşırı titreşim yapıyor	Testere tezgah veya tablaya düzgün monte edilmemiş	Tüm montaj donanımını sıkın. Bkz. Tezgaha Montajı.
	Tabla veya tezgah düz olmayan bir zeminde	Düz zemine sahip bir yere koyun. Bkz. Tanıtm.
	Testere bıçağı hasarlı	Bıçağı değiştirin. Bkz. Bir Testere Bıçağının Değiştirilmesi veya Yenisinin Takılması.
Doğru gönye kesimleri yapıyor	Gönye ölçeği doğru şekilde ayarlanmamış	Kontrol edin ve ayarlayın. Bkz. Gönye Ölçeğinin Ayarlanması / Montaj ve Ayarlamalar.
	Bıçak çite dik değil	Kontrol edin ve ayarlayın. Bkz. Gönye Ölçeğinin Ayarlanması / Montaj ve Ayarlamalar.
	Bıçak tezgaha dikey değil	Çiti kontrol edin ve ayarlayın. Bkz. Açılma Gönyesinin Tezgah Ayarı / Montaj ve Ayarlamalar.
	İş parçası hareket ediyor	İş parçasını çite sağlam şekilde kelepçeleğin veya 120 tanecikli zımpara kağıdını lastik solüsyonu ile çite yapıştırın.
Bıçağı malzeme sıkışıyor	Eğik malzemelerin kesimi	Bkz. Eğilmiş Malzeme / Özel Kesimler.

DEWALT GARANTİ BELGESİ

İTHALATÇI FİRMA

Ünvanı : STANLEY BLACK&DECKER TURKEY ALET ÜRETİM SAN. TİC. LTD.ŞTİ.
Adresi : AND Kozyatağı - İçerenköy Mah. Umud Sok. AND Ofis Sit. No: 10-12 / 82-83-84
 Ataşehir/Istanbul, TURKEY
Telefon No. : 0216 665 29 00
Faks No. : 0216 665 29 01
E-mail : info-tr@sbdinc.com

STANLEY BLACK&DECKER TURKEY
 ALET ÜRETİM SAN. TİC. LTD.ŞTİ.
 Ataşehir/Istanbul, TURKEY
 Telefon No: 0216 665 29 00
 Faks No: 0216 665 29 01
 E-mail: info-tr@sbdinc.com

ÜRÜNÜN

Cinsi :
Markası : **DEWALT**
Modeli :
Seri Numarası :
Garanti Süresi : 2 YIL
Azami Tamir Süresi : 20 İŞ GÜNÜ

SATICI FİRMANIN

Ünvanı :
Adresi :
Telefon No. :
Faks No. :
Fatura Tarih ve No. :
Ürün Teslim Tarihi :
Ürün Teslim Yeri :
Belgeyi Dolduranın Adı Soyadı :

Kaşe - Yetkili İmza

GARANTİ ŞARTLARI

- Garanti süresi, malın teslim tarihinden itibaren başlar ve 2 yıldır.
- Malın bütün parçaları dahil olmak üzere tamamı firmamızın garantisi kapsamındadır.
- Malın ayıplı olduğunun anlaşılması durumunda tüketici, 6502 sayılı Tüketici Korunması Hakkında Kanununun 11 inci maddesinde yer alan;
 - Sözleşmeden dönme,
 - Satış bedelinden indirim isteme
 - Ücretsiz onarılmasını isteme
 - Satılanın ayıpsız bir misli ile değiştirilmesini isteme,
 haklarından birini kullanabilir.
- Tüketicinin bu haklardan ücretsiz onarım hakkını seçmesi durumunda satıcı; işçilik masrafı, değiştirilen parça bedeli ya da başka herhangi bir ad altında hiçbir ücret talep etmeksizin malın onarımını yapmak veya yaptırmakla yükümlüdür. Tüketici ücretsiz onarım hakkını üretici veya ithalatçıya karşı da kullanabilir. Satıcı, üretici ve ithalatçı tüketicinin bu hakkını kullanmasından müteselsilen sorumludur.
- Tüketicinin, ücretsiz onarım hakkını kullanması halinde malın;
 - Garanti süresi içinde tekrar arızalanması,
 - Tamiri için gereken azami sürenin aşılması,
 - Tamirinin mümkün olmadığı, yetkili servis istasyonu, satıcı, üretici veya ithalatçı tarafından bir raporla belirlenmesi
 durumlarında; tüketici malın bedel iadesini, ayıp oranında bedel indirimini veya imkan varsa malın ayıpsız misli ile değiştirilmesini satıcıdan talep edebilir. Satıcı, tüketicinin talebini reddedemez. Bu talebin yerine getirilmemesi durumunda satıcı, üretici ve ithalatçı müteselsilen sorumludur.
- Malın tamir süresi 20 iş gününü geçemez. Bu süre, garanti süresi içerisinde mala ilişkin arızanın yetkili servis istasyonuna veya satıcıya bildirim tarihinde, garanti süresi dışında ise malın yetkili servis istasyonuna teslim tarihinden itibaren başlar. Malın arızasının 10 iş günü içerisinde giderilmemesi halinde, üretici veya ithalatçı; malın tamiri tamamlanıncaya kadar, benzer özelliklere sahip başka bir malı tüketicinin kullanımına tahsis etmek zorundadır. Malın garanti süresi içerisinde arızalanması durumunda, tamirde geçen süre garanti süresine eklenir.
- Malın kullanma kılavuzunda yer alan hususlara aykırı kullanılmasından kaynaklanan arızalar garanti kapsamı dışındadır.
 - Garanti kapsam şartları ;
 - Ürün hatalı kullanılmamıştır.
 - Ürün yıpranmamış, hırpalanmamış ve aşınmamıştır.
 - Yetkili olmayan kişilerce tamire çalışılmamıştır.
 - Satın alma belgesi (fatura) ibraz edilmiştir.
 - Ürün, tüm orijinal parçaları ile iade edilmiştir.
- Tüketici, garantiden doğan haklarının kullanılması ile ilgili olarak çıkabilecek uyuşmazlıklarda yerleşim yerinin bulunduğu veya tüketici işleminin yapıldığı yerdeki Tüketici Hakem Heyetine veya Tüketici Mahkemesine başvurabilir.
- Satıcı tarafından bu Garanti Belgesinin verilmemesi durumunda, tüketici Gümrük ve Ticaret Bakanlığı Tüketicinin Korunması ve Piyasa Gözetimi Genel Müdürlüğüne başvurabilir.

EEE Yönetmeliğine uygundur.



KULLANMA KILAVUZU İÇİN EK BİLGİLER

-Taşıma ve nakliye sırasında dikkat edilecek hususlar;
Cihazı taşıma ve nakliye esnasında hasar verecek şekilde taşınmamalı, bir yerden bir yere fırlatılmamalı, istifleme yapılırken dikkat edilmeli.

-Gümrük ve Ticaret Bakanlığı uyarınca belirlenen kullanım ömürleri aşağıdaki gibidir;

Testere Makineleri	7 yıl
Polisaj Makineleri	7 yıl
Matkaplar	7 yıl
Vidalama Makineleri	7 yıl
Zımpara Makineleri	7 yıl

-Malın ayıplı olduğunun anlaşılması durumunda tüketici, 6502 sayılı Tüketici Korunması Hakkında Kanununun 11 inci maddesinde yer alan;

- a- Sözleşmeden dönme,
 - b-Satış bedelinden indirim isteme
 - c-Ücretsiz onarılmasını isteme
 - d-Satılanın ayıpsız bir misli ile değiştirilmesini isteme,
- haklarından birini kullanabilir.

-Tüketici, garantiden doğan haklarının kullanılması ile ilgili olarak çıkabilecek uyuşmazlıklarda yerleşim yerinin bulunduğu veya tüketici işleminin yapıldığı yerdeki Tüketici Hakem Heyetine veya Tüketici Mahkemesine başvurabilir.

254 мм КОМБІНОВАНА ТОРЦЮВАЛЬНА ПИЛКА DWS713

Вітаємо вас!

Ви обрали інструмент виробництва компанії DeWALT. Ретельна розробка продукції, багаторічний досвід фірми у виробництві інструментів, різні вдосконалення, все це зробило інструменти DeWALT є одними із найнадійніших помічників для тих, хто використовує електричні інструменти у своїй професії.

Технічні дані

		DWS713
Напруга	V	230
Тип		20
Вхідна потужність	Вт	1600
Діаметр пильного диска	мм	254
Макс. число обертів диску	хв. ⁻¹	5000
Макс. ширина брусу при торцюванні під кутом 90°	мм	155
Макс. висота брусу при скосі 45°	мм	107
Макс. глибина розрізу при 90°	мм	89
Макс. глибина поперечного розрізу з нахилом 45°	мм	58
Пліттус вертикально до напрямної		
Макс. висота	мм	108
Макс. ширина	мм	16
Макс. кут скосу	вліво	50°
	вправо	50°
Макс. кут нахилу	вліво	48°
	вправо	3°
0° скіс		
Ширина брусу при різанні на макс. висоту 89 мм	мм	89
Висота брусу при різанні на макс. ширину 155 мм	мм	32
45° скіс		
Ширина брусу при різанні на макс. висоту 89 мм	мм	61
Висота брусу при різанні на макс. ширину 107 мм	мм	32
45° нахил		
Ширина брусу при різанні на макс. висоту 58 мм	мм	89
Висота брусу при різанні на макс. ширину 155 мм	мм	19
Скіс 31,6°, нахил 33,9°		
Висота брусу при різанні на макс. ширину 133 мм	мм	23
Автоматичне відключення обертання диску	c	< 10,0
Маса	кг	14



ПОПЕРЕДЖЕННЯ: Уважно прочитайте керівництво з експлуатації для зниження ризику отримання травм.

Позначення: інструкції з техніки безпеки

Умовні позначення, наведені нижче, описують рівень важливості кожної попереджувальної вказівки. Прочитайте керівництво з експлуатації та зверніть увагу на символи, наведені нижче.

⚠ **НЕБЕЗПЕЧНО:** Вказує на безпосередню загрозу, яка, якщо її не уникнути, призведе до смерті або серйозної травми.

⚠ **ПОПЕРЕДЖЕННЯ:** Вказує на потенційну загрозу, ігнорування якої може призвести до смерті або серйозної травми.

⚠ **УВАГА:** Вказує на потенційну загрозу, ігнорування якої може призвести до травми легкої або середньої тяжкості.

ПРИМІТКА: Вказує на ситуацію, не пов'язану з особою травмою, ігнорування цієї ситуації може призвести до пошкодження майна.

⚡ Вказує на ризик ураження електричним струмом.

🔥 Вказує на ризик виникнення пожежі.

ЗАГАЛЬНІ ПРАВИЛА БЕЗПЕКИ ПРИ ЕКСПЛУАТАЦІЇ ЕЛЕКТРИЧНОГО ІНСТРУМЕНТА

⚠ **ПОПЕРЕДЖЕННЯ:** Ознайомтеся з усіма попередженнями, інструкціями з техніки безпеки, зображеннями та специфікаціями, які поставляються з даним електричним інструментом. Невиконання нижченаведених інструкцій може призвести до ураження електричним струмом, пожежі та/або серйозних тілесних ушкоджень.

ЗБЕРІГАЙТЕ ВСІ ПОПЕРЕДЖЕННЯ ТА ІНСТРУКЦІЇ ДЛЯ ПОДАЛЬШОГО ВИКОРИСТАННЯ

Термін «електричний інструмент» в усіх попередженнях стосується використовуваних вами інструментів, що живляться від мережі енергопостачання (з електричним кабелем) або від акумуляторів (без кабелю).

1) Безпека робочої зони

- Робоча зона завжди має бути чистою та добре освітленою. Захаращена або темна робоча зона призводить до нещасних випадків.
- Не використовуйте електричні інструменти у вибухонебезпечній атмосфері, наприклад поруч із вогненебезпечними рідинами, газами та пилом. Електричні інструменти створюють іскри, що можуть запалити пил або пару.
- Тримайте дітей та сторонніх подалі під час використання інструмента. Відвернення уваги може призвести до втрати контролю.

2) Електрична безпека

- Вилка електричного інструмента повинна відповідати розетці. Ніколи жодним чином не змінюйте вилку. Не використовуйте адаптери з замкнутими на землю (заземленими) електричними інструментами. Немодифіковані вилки та розетки, що підходять до них, зменшують ризик ураження електричним струмом.
- Уникайте контакту тіла з заземленими поверхнями, такими як труби, радіатори, плити та холодильники. Якщо ваше тіло заземлене, збільшується ризик ураження електричним струмом.
- Не залишайте електричні інструменти під дощем або в умовах підвищеної вологості. Вода, що потрапляє в електричний інструмент, підвищує ризик ураження електричним струмом.
- Не використовуйте кабель живлення не за призначенням. Ніколи не переносьте, не тягніть та не відключайте електричний інструмент від розетки живлення за допомогою шнура. Тримайте шнур подалі від високих температур, мастила, гострих предметів та рухомих деталей. Пошкоджені або перекручені шнури підвищують ризик ураження електричним струмом.
- При використанні електричного інструмента на вулиці, використовуйте подовжувальний шнур, що підходить для використання на вулиці. Використання шнура, що призначений для використання поза приміщенням, знижує ризик ураження електричним струмом.
- Якщо неможливо уникнути використання електричного інструмента в умовах підвищеної вологості, використовуйте живлення, захищене пристроєм залишкового струму (RCD). Використання RCD знижує ризик ураження електричним струмом.

3) Особиста безпека

- Будьте в стані готовності, дивіться, що ви робите, та будьте розсудливі, працюючи з електричним інструментом. Не використовуйте електричний інструмент, коли ви втомлені або знаходитесь під впливом наркотичних речовин, алкоголю або ліків. Втрата уваги під час роботи з електричними інструментами може призвести до серйозних травм.
- Використовуйте особисті засоби безпеки. Завжди використовуйте засоби захисту очей. Засоби безпеки, такі як протипилова маска, неслизькі безпечні черевки, захисний шолом та засоби захисту слухового апарату при використанні для відповідних умов зменшують імовірність особистих травм.
- Уникайте випадкового запуску. Переконайтеся в тому, що вимикач знаходиться в позиції Вимк., перш ніж підключати інструмент до джерела живлення та/або акумулятора, переміщувати або переносити. Може статися нещасний випадок, коли ви переносите інструмент, тримаючи палець на вимикачі, або підключаєте живлення до вимикача в позиції Увімк.
- Зніміть усі ключі для регулювання або гайкові ключі, перш ніж вмикати електричний інструмент. Гайковий ключ, що залишився прикріпленим до якоїсь деталі електричного пристрою, що обертається, може призвести до травм.
- Не прикладайте надмірного зусилля. Завжди утримуйте правильну постановку ніг і рівновагу. Це дає вам змогу краще контролювати інструмент в неочікуваних ситуаціях.
- Одягайтеся відповідним чином. Не вдягайте вільний одяг або прикраси. Тримайте ваше волосся та одяг подалі від рухомих деталей. Вільний одяг, прикраси або довге волосся можуть зачепитися за рухомі деталі.
- Якщо передбачені пристрої для підключення до засобів виділення та збирання пилу, переконайтеся, що вони правильно підключені та використовуються. Використання таких пристроїв зменшує ризик виникнення небезпечних ситуацій, що пов'язані з потраплянням пилу.
- Навіть якщо ви добре знаєте інструмент та часто його використовуєте, не розслабляйтесь та не забувайте про принципи техніки безпеки. Необережні дії можуть за долю секунди призвести до важких тілесних ушкоджень.

4) Використання електричного інструмента та догляд за ним

- Не прикладайте надмірних зусиль під час роботи з інструментом. Використовуйте електричний інструмент, який відповідає завданню, що виконується. Правильно обраний інструмент виконає завдання краще та безпечніше за умов, для яких він був розроблений.
- Не використовуйте інструмент, якщо його неможливо ввімкнути та вимкнути за допомогою вимикача. Будь-який електричний інструмент, яким неможливо керувати за допомогою вимикача, є небезпечним і має бути відремонтований.

- c) Якщо вилка змінна, відключіть її від джерела живлення та/або вийміть акумулятор, перш ніж виконувати будь-які налаштування, змінювати додаткове обладнання або зберігати інструмент. Ці профілактичні заходи зменшують ризик випадкового запуску електричного інструмента.
- d) Зберігайте вимкнені електричні інструменти в недоступному для дітей місці та не дозволяйте особам, що не знайомі з електричним інструментом або цими інструкціями, використовувати електричний інструмент. Електричні інструменти є небезпечними, якщо вони використовуються некваліфікованими користувачами.
- e) Технічне обслуговування електричних інструментів та приладдя. Перевіряйте неспіввільність, заїдання рухомих деталей, наявність пошкоджених частин та інших факторів, які можуть впливати на роботу електричного інструмента. Якщо є пошкодження, відремонтуйте електричний інструмент перед використанням. Нещасні випадки часто є результатом того, що інструмент не пройшов відповідного технічного обслуговування.
- f) Різальні інструменти мають бути гострими та чистими. Правильно доглянуті різальні інструменти з гострими різальними кромками мають меншу імовірність заїдання, та ними легше керувати.
- g) Використовуйте електричний інструмент, додаткові інструменти та деталі інструменту тощо у відповідності до цих інструкцій та відповідно до даного типу електричних інструментів, зважаючи на умови використання та роботу, яка має бути виконана. Використання електричних інструментів не за призначенням може призвести до виникнення небезпечних ситуацій.
- h) Всі ручки та поверхні для тримання інструмента мають бути сухими, без залишків мастила. Слизькі ручки та поверхні для тримання не дозволяють безпечно працювати та контролювати інструмент у неочікуваних ситуаціях.

5) Обслуговування

- a) Надавайте ваш електричний інструмент для обслуговування кваліфікованим спеціалістом з ремонту та використовуйте тільки ідентичні замініні деталі. Це забезпечить безпеку електричного пристрою.

Інструкції з техніки безпеки для торцювальних пилок

- a) Торцювальні пилки призначені для різання деревини або подібних їй виробів, їх не можна використовувати з абразивними відрізними кругами для різання чорних матеріалів, наприклад, брусків, стрижнів, шпів тощо. Абразивний пил приводить до заїдання рухомих частин, таких як нижній захисний кожух. Іскри від абразивного різання можуть спалити нижній кожух, вставку для прорізу та інші пластикові деталі.
- b) Використовуйте затискачі для надійної фіксації заготовки, коли це можливо. Якщо заготовка утримується рукою, завжди тримайте руку на відстані якнайменше 100 мм по обидва боки від пильного диска. Не використовуйте цю пилку для різання занадто маленьких деталей, які неможливо надійно затиснути або тримати вручну. Якщо рука знаходиться занадто близько до пильного диска, виникає підвищений ризик травмування в результаті контакту з ним.
- c) Заготовку слід нерухомо затиснути або утримувати на напрямній та на столі. Забороняється подавати заготовку на диск або розрізати з «вільними руками». Заготовки, що не утримуються або рухаються, можуть бути викинуті з високою швидкістю, що може спричинити травму.
- d) Проштовхніть пилку через заготовку. Не тягніть пилку через заготовку. Щоб виконати різання, підійміть ріжучу голівку і витягніть її над заготовкою без різання, запустіть двигун, натисніть на ріжучу голівку і проштовхніть пилку через заготовку. Різка на хід пилки може призвести до того, що пильний диск залізе на заготовку і різко перекине вузол пилки в бік оператора.
- e) Ніколи не перетинайте рукою лінію розпилу ані спереду, ані ззаду пильного диска. Утримання заготовки «навхрест», тобто утримання заготовки праворуч від пильного диска лівою рукою або навпаки є дуже небезпечним.
- f) Під час обертання пильного диска не наближайте до прямої жодної рукою ближче, ніж на 100 мм по обидва боки пильного диска, щоб видалити тирсу або з будь-якої іншої причини. Близькість пильного диска під час обертання до руки може бути не очевидною і призвести до серйозних травм.
- g) Перед виконанням різання огляньте заготовку. Якщо заготовка зігнута або викривлена, затисніть її зовнішньої зігнутою стороною до напрямної. Завжди стежте за тим, щоб між заготовкою, напрямною і столом не було зазору по лінії розрізу. Вигнуті або викривлені заготовки можуть скручуватися або зміщуватися і при різанні можуть стати причиною заїдання на пильному диску, що обертається. В заготовці не повинно бути цвяхів або сторонніх предметів.
- h) Не використовуйте пилку, поки не очистите стіл від усіх інструментів, тирси тощо, окрім заготовки. Невеликі уламки, вільні шматки дерева або інші предмети, що потрапляють на диск, що обертається, можуть бути викинуті з високою швидкістю.
- i) Розпилюйте одну заготовку за раз. Неможливо належним чином затиснути або закріпити кілька покладених в штабель заготовок, вони можуть зачепитися за диск або зрушитись під час різання.
- j) Перед використанням переконайтеся, що торцювальна пилка змонтована або встановлена на рівній та міцній робочій поверхні. Рівна і міцна робоча поверхня знижує ризик нестійкості торцювальної пилки.

- k) Плануйте свою роботу. Кожного разу, коли ви змінюєте кут нахилу або скосу, переконайтеся, що регульована напрямна встановлена правильно для утримання заготовки, і не заважатиме диску та системі захисних елементів. Не включаючи інструмент і без заготовки на столі зробіть повну імітацію різання пильним диском, щоб переконалися у відсутності перешкод або небезпеки порізів напрямної.
- l) Для заготовки, ширина або довжина якої більше, ніж стіл, забезпечте відповідну опору, таку як висувні столи, пильні козли тощо. Заготовки, які довше або ширше, ніж стіл для торцювальної пилки, можуть перекидатися, якщо не забезпечена надійна опора. Якщо відрізнена частина або заготовка перекидається, вона може підняти нижній кожух або бути викинута пильним диском під час обертання.
- m) Забороняється використовувати іншу особу замість висувного стола або якості додаткової опори. Нестабільна опора заготовки може призвести до заїдання диска або зміщення заготовки під час операції різання, втягаючи вас і помічника до диска, що обертається.
- n) Забороняється притискати відрізану частину до пильного диска, що обертається, або затискати її будь-яким способом. При обмеженні, тобто при використанні обмежувачів довжини, відрізнена частина може заклинюватися на лезі і бути відкинута із силою.
- o) Завжди використовуйте затискач або кріплення, призначене для правильного утримання крутих матеріалів, таких як стрижні або труби. Стрижні мають схильність котитися під час різання, що призводить до того, що диск «кусається» і затягує до себе вашу руку.
- p) Дайте диску досягти повної швидкості перед контактом із заготовкою. Це зменшить ризик викидання заготовки.
- q) Якщо заготовку або диск заклинило, вимкніть пилку. Зачекайте, доки всі рухомі частини зупиняться і від'єднайте штекер від джерела живлення та/або вийміть акумуляторну батарею. Потім звільніть матеріал, що застряг. Продовження різання із затиснутою заготовкою може призвести до втраченої контролю або пошкодження торцювальної пилки.
- r) Після завершення різання відпустіть перемикач, тримайте ріжучу голівку вниз і дочекайтеся зупинки пильного диска перед витяганням відрізані частини. Небезпечно дотикатися рукою до диска, який рухається за інерцією.
- s) При неповному розпилі або при відпусканні перемикача міцно тримайтеся за ручку увесь час до повного досягнення ріжучою голівкою нижнього положення. Гальмування пилки може призвести до раптового втягування ріжучої голівки донизу, що може спричинити травму.

Додаткові правила безпеки при роботі з торцювальними пилами

⚠ УВАГА: Не підключайте пристрій до мережі живлення, поки не прочитаете та не засвоїте інструкції в повному обсязі.

- **НЕ ЕКСПЛУАТУЙТЕ ЦЮ МАШИНУ**, поки вона не буде повністю зібрана та встановлена відповідно до інструкцій. Невірно зібрана машина може призвести до серйозних травм.
- **ОТРИМАЙТЕ ПОРАДУ** від свого керівника, інструктора або іншої кваліфікованої особи, якщо ви не досконало знайомі з експлуатацією машини. Знання – це безпека.
- **ПЕРЕКОНАЙТЕСЬ**, що пильний диск обертається у потрібному напрямку. Зубці на диску повинні бути спрямовані в напрямку обертання, як зазначено на пилці.
- **ЗАТЯГНІТЬ УСІ ЗАТІСКНІ РУКОЯТКИ**, ручки та важелі перед початком роботи. Вільні затискачі можуть спричинити викидання деталей або заготовок на високій швидкості.
- **ПЕРЕКОНАЙТЕСЬ**, що всі диски та затискачі дисків чисті, заглиблені сторони затискачів дисків знаходяться на дисках, а гвинт валу надійно затягнутий. Вільне або неправильне затискання диска може призвести до пошкодження пилки та травм.
- **НЕ ВИКОРИСТОВУЙТЕ ІНШОГО НАПРУЖЕННЯ, КРІМ ПОЗНАЧЕНОГО ДЛЯ ПИЛКИ.** Це може призвести до перегрівання, ушкодження інструменту та травм.
- **НІКОЛИ НІЧОГО НЕ ВСТАВЛЯЙТЕ МІЖ ЛОПАТКАМИ ВЕНТИЛЯТОРА**, щоб зупинити вал двигуна. Це може призвести до ушкодження інструмента та травм.
- **НІКОЛИ НЕ РОЗРІЗУЙТЕ МЕТАЛИ** та цеглу. Будь-яка з цих ситуацій може призвести до злітання з диска твердосплавних кінчиків на великій швидкості, спричиняючи серйозні травми.
- **НІКОЛИ НЕ РОЗТАШОВУЙТЕ БУДЬ-ЯКІ ЧАСТИНИ СВОГО ТІЛА НА ШЛЯХУ ДИСКА ПИЛКИ.** Це приведе до травм.
- **НІКОЛИ НЕ НАНОСІТЬ МАСТИЛО НА РУХОМИЙ ДИСК.** Застосування мастила може призвести до потрапляння вашої руки на диск, що приведе до серйозних травм.
- **НЕ тримайте руки на шляху пильного диску, коли пилка підключена до електричної мережі.** Ненавмисне ввімкнення диска може призвести до серйозних травм.
- **НІКОЛИ НЕ ТЯГНІТЬСЯ ПОБЛИЗУ АБО ПОЗАДУ ПИЛЬНОГО ДИСКА.** Диск може спричинити серйозні травми.
- **НЕ ТЯГНІТЬСЯ ПІД ПИЛКОЮ**, якщо вона не відключена та не вимкнена. Контакт з диском пилки може призвести до травм.
- **ЗАКРІПІТЬ МАШИНУ НА СТІЙКІЙ ОПОРНІЙ ПОВЕРХНІ.** Вібрація може призвести до ковзання, переміщення або перекидання машини, що може спричинити серйозні травми.

- **ВИКОРИСТОВУЙТЕ ТОРЦЮВАЛЬНІ ПИЛЬНІ ДИСКИ ТІЛЬКИ** рекомендовані для торцювальних пилок. Для отримання найкращих результатів не використовуйте диски з твердосплавними кінчиками із переднім кутком, що перевищує 7 градусів. Не використовуйте диски з глибокими жолобами. Вони можуть відхилитися та зачепити кожу, що може призвести до пошкодження машини та/або серйозних травм.
- **ВИКОРИСТОВУЙТЕ ДИСКИ ТІЛЬКИ ПРАВИЛЬНОГО РОЗМІРУ ТА ТИПУ**, що визначені для цього інструменту, щоб запобігти пошкодженню машини та/або серйозних травм (відповідно до EN847-1).
- **ПЕРЕВІРЯЙТЕ ДИСК НА ПРЕДМЕТ ТРИЩИН** або інших пошкоджень перед початком роботи. Потрісканий або пошкоджений диск може розпастися, а шматки відлетіти на великій швидкості, спричинивши серйозні травми. негайно замініть потрісканий або пошкоджений ніж. Дотримуйтесь максимальної швидкості, відміченої на диску пилки.
- **ОЧИЩУЙТЕ ДИСК ТА ЗАТИСКАЧ ДИСКА** перед початком роботи. Очищення диска та затискачів диска дозволяє перевірити їх на предмет наявності пошкоджень диска або затискачів диска. Потрісканий або пошкоджений диск або затискач диска може розпастися, а шматки відлетіти на великій швидкості, спричинивши серйозні травми.
- **НЕ ВИКОРИСТОВУЙТЕ ВИКРИВЛЕНІ ДИСКИ.** Перевірте, чи обертається диск без биття і чи немає вібрації. Диск, що вібрає, може призвести до пошкодження машини та/або серйозних травм.
- **НЕ** використовуйте мастила та очищувачі (особливо спрей або аерозоль) поблизу пластикового кожу. Полікарбонатний матеріал, що використовується в кожусі, піддається впливу певних хімічних речовин.
- **ТРИМАЙТЕ КОЖУХ НА МІСЦІ** та в справному стані.
- **ЗАВЖДИ ВИКОРИСТОВУЙТЕ ПЛИТУ ДЛЯ ЗАРУБОК ТА ЗАМІНЮЙТЕ ЦЮ ПЛИТУ У ВИПАДКУ ПОШКОДЖЕННЯ.** Невелике скупчення стружки під пилкою може заважати пильному диску або призвести до нестійкості заготовки при різанні.
- **ЩОБ ЗАПОБІГТИ ПОШКОДЖЕННЮ МАШИНИ ТА/АБО СЕРЬОЗНИХ ТРАВМ,** ВИКОРИСТОВУЙТЕ ТІЛЬКИ ТІ ЗАТИСКАЧІ ДИСКА, що зазначені для цього інструменту.
- **ОБОВ'ЯЗКОВО** використовуйте правильний пильний диск для різання матеріалу.
- **ОЧИЩУЙТЕ ПОВІТРЯНІ ЗАЗОРИ ДВИГУНА** від стружки та тирси. Забиті повітряні зазори двигуна можуть призвести до перегрівання або пошкодження машини та спричинити серйозних травм.
- **НІКОЛИ НЕ ФІКСУЙТЕ ВИМИКАЧ У ПОЛОЖЕННІ «УВІМК».** Через це можна отримати серйозну травму.
- **НІКОЛИ НЕ СТАВЛЯЙТЕ НА ІНСТРУМЕНТ.** У разі перекидання або ненавмисного дотику до ріжучого інструменту можливі важкі травми.

⚠ УВАГА: Різання пластмаси, заболоні деревини з покриттям та інших матеріалів може призвести до накопичення розплавленого матеріалу на кінчиках пильного диска і його корпусі, збільшуючи ризик перегрівання і заїдання диска при різанні.

⚠ УВАГА: Завжди надягайте засоби індивідуального захисту для органів слуху. За певних умов та тривалості використання шум від цього виробу може сприяти втраті слуху. Пам'ятайте про наступні фактори, що впливають на інтенсивність шуму:

- Використовуйте пильні диски, розроблені для зменшення рівня шуму,
- Використовуйте тільки добре заточені пильні диски, і
- Використовуйте спеціально розроблені нешумні пильні диски.

⚠ УВАГА: ЗАВЖДИ використовуйте захисні окуляри. Окуляри для повсякденного використання НЕ є захисними окулярами. Якщо під час операцій різання виникає пил, також використовуйте захисну протипилову маску для обличчя.

⚠ УВАГА: використання цього інструменту може спричинити утворення та/або виділення пилу, що може призвести до серйозних і постійних проблем дихальної системи або інших травм.

⚠ УВАГА: Пил, що утворюється при механічному шліфуванні, розпилюванні, заточуванні, свердлінні та інших діях на будівництві, містить хімікати, що викликають рак, вроджені вади та інші проблеми репродуктивної системи. Приклади таких хімічних речовин:

- свинець зі свинцевих фарб,
- кристалічний кремнезем з цегли, цементу та інших матеріалів для кладки і
- миш'як і хром з деревини, що піддавалась хімічній обробці.

Ризик виникнення проблем через вплив цих речовин варіюється в залежності від того, як часто користувач виконує цей вид роботи. Щоб зменшити вплив цих хімічних речовин, працюйте у добре вентильованому приміщенні, а також використовуйте відповідні засоби безпеки, такі як протипилові маски, які здатні фільтрувати мікроскопічні частинки.

• **Уникайте тривалого контакту з пилом, що утворюється при потужному шліфуванні, розпилюванні, заточуванні, свердління та інших будівельних роботах.** Носіть захисний одяг і мийте відкриті ділянки тіла милом і водою. Потрапляння пилу в рот, очі або на шкіру може сприяти всмоктуванню шкідливих хімічних речовин.

⚠ УВАГА: використання цього інструменту може спричинити утворення та/або виділення пилу, що може призвести до серйозних і постійних проблем дихальної системи або інших травм. Для контакту з пилом завжди використовуйте відповідні засоби захисту органів дихання.

Залишкові ризики

Наступні ризики можуть залишитися при використанні пилок:

- Травми через контакт з деталями, що обертаються.
- Дотримання всіх правил техніки безпеки та застосування пристроїв безпеки не гарантує уникнення певних залишкових ризиків. До такого переліку належать:
- Порушення слуху.
- Ризик нещасного випадку, викликаний незакритими деталями пильного диска, що обертається.
- Ризик травми при заміні пильного диска.
- Ризик затиснення пальців при відкритті захисних кожухів.
- небезпека для здоров'я через вдихання пилу, що утворюється при розпилюванні деревини, особливо дубу, берези та ДВП.

Наступні фактори збільшують ризик проблем з диханням:

- При розпилюванні деревини не підключений пристрій для видалення пилу.
- Недостатня потужність всмоктування пилу через забруднені фільтри.

Електрична безпека

Електричний двигун розроблений для роботи лише з одним значенням напруги. Завжди перевіряйте відповідність джерела живлення напруги, яка вказана на табличці з паспортними даними.



Ваш DeWALTSTANLEY зарядний пристрій має подвійну ізоляцію відповідно до EN62841 тому заземлення не є необхідним.

Якщо кабель живлення пошкоджений, тільки компанія DeWALTSTANLEY або уповноважена сервісна організація може виконувати його заміну.

Використання електричного подовжувача

Якщо необхідний подовжувач, використовуйте рекомендований 3-жильний подовжуючий шнур, що підходить для споживаної потужності інструменту (див. **Технічні дані**). Мінімальний розмір провідника становить 1,5 мм²; максимальна довжина — 30 м.

При використанні кабельного барабану завжди витягуйте весь кабель.

Комплект поставки

Комплект містить:

- 1 Пилка торцювальна
- 1 Шестигранний гайковий ключ 6 мм
- 1 Пильний диск
- 1 Пилозбірник
- 1 Затиск для матеріалів
- 1 Керівництво з експлуатації
- Перевірте інструмент, деталі та приладдя на пошкодження, що могли виникнути під час транспортування.
- Перед використанням уважно прочитайте та повністю зрозумійте це керівництво.

Маркування інструменту

На інструменті є наступні піктограми:



Прочитайте інструкції цього керівництва перед використанням.



Використовуйте засоби захисту слуху.



Використовуйте засоби захисту очей.



Тримайте руки подалі від диска



Видиме випромінювання. Не дивіться на джерело світла.

Розташування коду дати (Рис. [Fig.] A)

Код дати **35**, що включає також рік виробництва, зазначений на корпусі.

Приклад:

2019 XX XX

Рік виробництва

Опис (Рис. A)

⚠ УВАГА: ніколи не модифікуйте електричні інструменти та їхні деталі. Це може призвести до пошкодження майна або тілесних ушкоджень.

- | | | |
|------------------------------|---|------------------------------------|
| 1 Тригерний перемикач | 7 Шкала повороту | 12 Порт для видалення пилу |
| 2 Ручка управління | 8 Гвинти шкали повороту | 13 Ручка для перенесення |
| 3 Монтажні отвори | 9 Поглиблення для захвату рукою при транспортуванні | 14 Ручка фіксації напрямної |
| 4 Нижній захисний кожух | 10 Ковзаюча напрямна | 15 Затискні монтажні отвори |
| 5 Ручка фіксації кута скосу | 11 Ручка фіксації кута нахилу | 16 Шестигранний гайковий ключ 6 мм |
| 6 Засувка фіксатора повороту | 17 Ручка фіксації голівки | |

18 Напрямна стола

19 Вертикальний затискач матеріалу

20 Ручний фіксатор повороту

Область застосування

Ваша комбінована торцювальна пилка DEWALT DWS713 створена для професійної різки по дереву. При використанні відповідних пильних дисків можливе також розпилювання алюмінієвих профілів та пластику.

НЕ використовуйте за умов підвищеної вологості або в присутності легкозаймистих рідин та газів.

Ця торцювальна пилка є професійним електричним інструментом.

НЕ дозволяйте дітям торкатися інструмента. Використання інструмента недосвідченими операторами потребує нагляду.

- Цей пристрій не призначений для використання особами (включаючи дітей) зі зниженими фізичними, сенсорними або розумовими можливостями або особами, яким бракує досвіду або знань, за винятком випадків, коли такі особи працюють під наглядом особи, яка несе відповідальність за їхню безпеку. Не можна залишати дітей наодинці з цим пристроєм.

Технічні характеристики**Привід**

Двигун 230 вольт

1600 Вт

5000 об./хв.

Ріжучі косозубі шестерні з роликівими і кульковими підшипниками

Лезо з твердосплавними зубцями

Автоматичне електричне гальмо

Ознайомлення (Рис. А, В)

Ваша торцювальна пилка повністю зібрана в картонній коробці. Відкрийте коробку і підніміть пилку за зручну ручку для перенесення **13**, як показано на Рисунок В.

Розмістіть пилку на гладкій рівній поверхні, наприклад, на верстаті або міцному столі.

Розгляньте Рисунок А, щоб ознайомитися з пилкою і її різними частинами. Розділ про коригування буде посилатися на ці терміни, і ви повинні знати деталі і де вони знаходяться.

ОБЕРЕЖНО: небезпека затиснення. Щоб зменшити ризик отримання травм, тримайте великий палець під рукою, коли тягнете її вниз. Нижній кожух буде рухатись взору по мірі того, як ручка буде опускаться вниз, що може привести до затиснення. Ручка розташована поряд із захисним кожухом для виконання спеціальних розрізів.

Злегка натисніть на ручку управління **2** і ослабте ручку фіксації голівки **17**. Плавно зменшіть тиск донизу та дозвольте пилці повністю піднятися. При перенесенні пилки з одного місця в інше використовуйте стопорний штифт. Завжди використовуйте ручку для перенесення **13** або поглиблення для захвату рукою для транспортування пилки **9**, як показано на Рисунок А.

Кріплення до верстаку (Рис. А)

Монтажні отвори **3** передбачені у всіх чотирьох ніжках для полегшення прикріплення до верстаку, як показано на Рисунок А. (Передбачено два отвори різного розміру для розміщення гвинтів різного розміру. Скористайтесь будь-яким отвором, не обов'язково використовувати обидва отвори.) Завжди добре закріплюйте інструмент, щоб він не рухався. Для зручності, можна спочатку прикріпити пилку до листа фанери товщиною не менше 12,7 мм, після чого лист кріпиться до верстаку та інструмент разом із підставкою можна легко перенести в інше місце.

ПРИМІТКА: Якщо пилка кріпиться до листа фанери, переконайтесь, що кріпильні болти не виступають знизу деревини. Лист повинен бути врівень із робочою опорою. Коли ви прикріплюєте пилку до будь-якої поверхні, фіксуйте її лише в тих місцях, де розташовані кріпильні отвори. Кріплення в інших точках неодмінно буде заважати роботі.

ОБЕРЕЖНО: Щоб уникнути заїдання і неточностей обробки, кріпильна поверхня повинна бути рівною та плоскою. Якщо пилка хитається на поверхні, підкладіть під її опору тонку дощечку, щоб вирівняти пристрій на поверхні.

Транспортування пилки (Рис. А, С)

УВАГА: Щоб знизити ризик отримання серйозної травми, вимкніть інструмент та від'єднайте його від джерела живлення, перш ніж намагатися перемістити, замінити приладдя або виконати будь-яке регулювання.

УВАГА: Щоб знизити ризик серйозного травмування перед транспортуванням пилки ЗАВЖДИ фіксуйте ручку фіксації кута скосу, ручку фіксації кута нахилу, ручку фіксації голівки і ручку регулювання напрямної.

Для зручності переміщення торцювальної пилки з місця на місце у верхній частині пильної рами встановлена ручка для перенесення **13** і поглиблення для захвату рукою **9**, як показано на Рисунок А. Для транспортування пилки опустіть важіль і затягніть ручку фіксації голівки **17**, як показано на Рисунок С.

МОНТАЖ ТА НАЛАШТУВАННЯ

ПОПЕРЕДЖЕННЯ: Щоб знизити ризик серйозних травм, вимкніть інструмент та відключіть його від мережі живлення перед виконанням будь-яких налаштувань або зніманням/встановленням насадок або приладдя. Випадковий запуск може призвести до травм.

Зміна чи встановлення нового пильного диска (Рис. D–F)

УВАГА: Щоб знизити ризик отримання серйозної травми, вимкніть інструмент та від'єднайте його від джерела живлення, перш ніж намагатися перемістити, замінити приладдя або виконати будь-яке регулювання.

УВАГА: Під час монтажу пильного диска надягайте захисні рукавички. Небезпека травми при контакті з пильним диском.

ОБЕРЕЖНО:

- Ніколи не натискайте кнопку фіксації шпинделя, коли пильний диск знаходиться під напругою або рухається за інерцією.
- Забароняється різати чорний метал (такий, що містить залізо або сталь), цеглу або фіброцемент за допомогою цієї торцювальної пилки.

Виймання диска

- Відключіть пилку від мережі.
- Підніміть важіль в верхнє положення і підніміть нижній захисний кожух **4** якомога вище.
- Послабте, але не знімайте гвинт захисного кронштейна **21**, поки кронштейн не буде піднятий настільки, щоб отримати доступ до гвинта диска. Нижній захисний кожух залишиться піднятим через положення гвинта захисного кронштейна.
- Натисніть кнопку фіксації шпинделя **22**, обережно повертаючи пильний диск рукою, поки він не зафіксується.
- Тримаючи кнопку натиснутою, послабте гвинт диска **24** іншою рукою та шестигранним гайковим ключем 6 мм **16**. (Ліва різьба, повертайте за годинниковою стрілкою.)
- Зніміть гвинт диска **24**, зовнішній затискач диска **25** та диск **26**. Внутрішній затискач диска **27** і (якщо використовується) адаптер диска 25,4 мм **37** можна залишити на шпинделі.

ПРИМІТКА: Для дисків з отвором 15,88 мм адаптер дисків 25,4 мм не використовується.

Встановлення диска

- Відключіть пилку від мережі.
- З піднятим важелем та нижнім захисним кронштейном, а також відкритим захисним кожухом, встановіть диск **26** на шпиндель і на внутрішній затискач диска **27** зубцями в нижній частині диска, спрямованими в бік задньої частини пилки.
- Встановіть зовнішній затискач диска **25** на шпиндель.
- Встановіть гвинт диска **24** і, тримаючи фіксатор шпинделя, міцно затягніть гвинт за допомогою шестигранного ключа 6 мм. (Ліва різьба, повертайте проти годинникової стрілки.)
- Поверніть захисний кронштейн у вихідне положення й міцно затягніть гвинт захисного кронштейна **21** для утримання його на місці.

УВАГА:

- Перед активацією пилки слід повернути захисний кронштейн у вихідне положення й закрутити гвинт.
- Якщо цього не зробити, захисний кожух може стикнутися з пильним диском під час обертання, що може призвести до пошкодження пилки та до серйозних травм.

Налаштування шкали повороту (Рис. А, G)

Прикладіть косинець до напрямної пилки та до диска. (Не торкайтесь краю зубців пильного полотна косинцем. Це призведе до неточності вимірювання.) Розблокуйте ручку фіксації кута повороту **5** та повертайте кут повороту консолі, доки фіксатор повороту не заблокує її в положенні 0°. Не блокуйте ручку фіксації кута скосу. Якщо диск пилки не точно перпендикулярний до напрямної **18** стола, послабте три гвинти **8**, які утримують шкалу повороту **7** на столі, і перемістіть вузол шкали та консолі повороту вліво або вправо, доки диск не стане перпендикулярним до напрямної, що вимірюється косинцем. Знов закріпіть три гвинти. На цьому етапі не звертайте увагу на стрілку кута повороту.

Налаштування стрілки кута повороту (Рис. А, H)

Розблокуйте ручку фіксації повороту **5** і затисніть засувку фіксації повороту **6**, щоб перевести консоль повороту в нульове положення. Розблокуйте ручку фіксації повороту, дозволивши фіксатору встати на місце, обертаючи консоль через нульову відмітку. Слідкуйте за стрілкою **23** та шкалою повороту **7** через оглядовий отвір, показаний на Рисунок H. Якщо стрілка не вказує точно на нуль, послабте гвинт стрілки, відрегулюйте стрілку на 0° та знов затягніть.

Кут нахилу відносно столу (Рис. I, J)

Щоб вирівняти кут нахилу диска відносно роторного столу, зафіксуйте консоль в нижньому положенні. Прикладіть косинець до диска, переконавшись, що він не знаходиться на верхівці зубця. Послабте ручку фіксації кута нахилу **11**, щоб можна було рухати консоль нахилу. Переміщайте консоль нахилу у міру необхідності, доки диск не стане під кутом 0° до столу. Якщо консоль нахилу потребує регулювання, знайдіть упор нахилу правої сторони, як показано на Рисунок J, та за необхідності відрегулюйте стопорний гвинт **28**.

Стрілка нахилу (Рис. J)

Якщо стрілка нахилу **30** не вказує на нуль, послабте гвинт **31**, який тримає її на місці, і перемістіть стрілку у міру необхідності.

ПОРАДА: З метою точності встановіть верхній край так, щоб він вирівнявся до нуля.

Упор нахилу (Рис. А, J)

Щоб встановити упор під кутом 45°, спочатку послабте ліву ручку **14** фіксації напрямної і просуньте ковзаючу напрямну **10** максимально вліво. Перемикайте консоль вліво, доки вона не зупиниться на лівому боковому гвинті упора нахилу **29**. Якщо стрілка нахилу не вказує рівно на 45°, поверніть гвинт вниз. Перемістіть консоль вліво і міцно затягніть ручку фіксації кута нахилу **11**, коли стрілка покаже рівно на 45°. Регулюйте лівий боковий гвинт упора нахилу **29** вгору, доки він міцно не торкнеться упору нахилу.

Щоб досягти нахилу вправо на 3° або вліво на 48°, необхідно налаштувати стопорні гвинти, щоб консоль могла рухатись до необхідного положення. Після отримання зрів'я необхідно зробити переналаштування упорів нахилу на положення нуль та 45°.

Регулювання напрямної (Рис. К)

УВАГА: Щоб знизити ризик отримання серйозної травми, вимкніть інструмент та від'єднайте його від джерела живлення, перш ніж намагатися перемістити, замінити приладдя або виконати будь-яке регулювання.

Щоб нахилитися ДО 48° вліво, ліву частину напрямної можна відрегулювати вліво, щоб забезпечити зазор. Щоб відрегулювати напрямну, послабте ручку **14** фіксації напрямної та просуньте напрямну вліво. Виконайте імітацію різання, не вмикаючи двигун, і перевірте зазор. Встановіть направляючу якомога ближче до диску, щоб забезпечити максимальний упор для заготовки, але щоб вона не заважала переміщенню консолі вгору та вниз. Надійно затягніть ручку фіксації напрямної. Після завершення операцій з нахилом не забудьте перенести напрямну вправо.

Використання захисного кожуха та видимість (Рис. L)

ОБЕРЕЖНО: Небезпека затиснення. Щоб зменшити ризик отримання травм, тримайте великий палець під рукою, коли тягнете її вниз. Якщо ручку тягнути вниз, нижній захисний кожух буде рухатися вгору, що може викликати затиснення.

Захисний кожух диска розроблено таким чином, щоб він автоматично піднімався при опусканні важеля і опускався, закриваючи диск, якщо важіль піднімається.

Кожух можна підняти вручну для заміни дисків або для огляду пилки. НІКОЛИ НЕ ПІДНІМАЙТЕ КОЖУХ ВРУЧНУ, ЯКЩО ПИЛКА НЕ ВИМКНЕНА.

ПРИМІТКА: Певні спеціальні розрізи вимагають ручного піднімання захисного кожуху. Див. «Різка великого матеріалу» у розділі «Спеціальні розрізи».

Передня частина захисного кожуха має решітку, що покращує видимість при розпилюванні. Хоча жалюзі значно зменшують розлітання сміття, у кожуха є отвори. Завжди під час огляду через жалюзі слід носити захисні окуляри.

Автоматичне електричне гальмо

Ваша пилка оснащена автоматичним електричним гальмом, яке зупиняє пильний диск за 5 секунд після відпускання вимикача. Час гальмування неможливо налаштувати.

Іноді може виникати затримка після відпускання вимикача до спрацювання гальма. В поодиноких випадках гальмо може зовсім не спрацювати і пильний диск зупиниться після руху за інерцією.

Якщо виникає затримка або гальмо зовсім не спрацює, вимкніть та увімкніть пилку 4-5 разів. Якщо така ситуація буде повторюватись, зверніться до офіційного сервісного центру DeWALT.

Завжди слідуйте за тим, щоб пильний диск зупинився перед витягуванням його з плити для зарубок. Гальмо не є заміною захисних кожухів і не гарантує вам повної безпеки.

Елементи керування

Ваша комбінована торцювальна пилка має декілька основних елементів керування, про які ми розповімо коротко тут. Для отримання додаткової інформації про ці елементи керування див. відповідні розділи далі в посібнику.

Елемент керування поворотом (Рис. А)

Ручка фіксації повороту **5** та засувка фіксації повороту **6** дозволяють повертати пилку на 50° вліво та вправо. Щоб повернути пилку, розблокуйте ручку фіксації повороту **5**, обертаючи ручку проти годинникової стрілки, затисніть засувку фіксації повороту **6** та встановіть потрібний кут повороту за шкалою повороту. Заблокуйте ручку фіксації повороту, обертаючи її за годинниковою стрілкою до упору. Переведіть в ручний режим засувку фіксації повороту, розблокувавши ручку фіксації повороту та натиснувши вниз фіксатор повороту **20**. Щоб вийти з ручного режиму, натисніть перевизначений фіксатор повороту вгору.

Фіксатор нахилу (Рис. J)

Ручка фіксації кута нахилу **11** дозволяє нахилити пилку на 48° вліво і на 3° вправо. Щоб послабити рукоятку та відрегулювати налаштування нахилу, поверніть її проти годинникової стрілки – ріжуча голівка пилки легко нахилиться вліво. Щоб затягнути, поверніть рукоятку за годинниковою стрілкою. Маркування градуса нахилу розташовані на нижній передній частині пилки (Рис. Н).

Штифт замка голівки (Рис. А)

Щоб зафіксувати ріжучу голівку в нижньому положенні, натисніть на голівку вниз, поверніть ручку фіксації голівки **17** на 90°, а підпружинений штифт зафіксується та відпустить ріжучу голівку. Це дозволить безпечно утримувати ріжучу голівку внизу при переміщенні пилки з місця на місце. Щоб відпустити, витягніть ручку фіксації голівки та поверніть її на 90°.

РЕЖИМ РОБОТИ

Інструкції з використання

ПОПЕРЕДЖЕННЯ: Завжди дотримуйтесь усіх інструкцій з техніки безпеки та відповідних норм.

ПОПЕРЕДЖЕННЯ: Щоб знизити ризик серйозних травм, вимкніть інструмент та відключіть його від мережі живлення перед виконанням будь-яких налаштувань або зніманням/встановленням насадок або приладдя. Випадковий запуск може призвести до травм.

Положення тіла та рук (Рис. M1–M4)

УВАГА: Щоб знизити ризик серйозних тілесних ушкоджень, ЗАВЖДИ правильно розташовуйте руки, як показано.

УВАГА: Щоб знизити ризик серйозних травм, ЗАВЖДИ добре тримайте інструмент, щоб попередити випадкову віддачу.

Вірне розташування тіла та рук при роботі з торцювальною пилкою робить різання простішим, більш точним та більш безпечним. Ніколи не розташовуйте руки біля ріжучих поверхонь. Не розташовуйте руки ближче ніж 152 мм від пильного полотна. Добре притискайте заготовку до столу та напрямної при розрізанні. Утримуйте руки в тому ж положенні до відпускання вимикача та повної зупинки пильного диска. ЗАВЖДИ ВИКОНУЙТЕ ІМІТАЦІЮ РІЗАННЯ (БЕЗ ЖИВЛЕННЯ) ПЕРЕД ПОЧАТКОМ РОЗРІЗУ, ЩОБ ВИ МОГЛИ ПОБАЧИТИ ШЛЯХ ПИЛЬНОГО ДИСКА. НЕ СХРЕЩУЙТЕ РУКИ, ЯК ПОКАЗАНО НА РИСУНКУ M3.

Утримуйте обидві ноги на підлозі та утримуйте рівновагу. При пересуванні важеля скосу вліво та вправо стежте за ним та стійте трошки в стороні від пильного диска. При русі по накресленій лінії дивіться крізь захисні жалюзі.

Тригерний перемикач (Рис. N)

Щоб увімкнути пилку, натисніть важіль блокування **32** вліво, а потім натисніть тригерний перемикач **1**. Пилка працюватиме, доки перемикач буде залишатись натисненим. Дозвольте інструменту досягти повної робочої швидкості до того, як зробити розріз. Щоб вимкнути пилку, відпустіть тригерний перемикач. Перш ніж підняти голівку пилки, дайте пилці зупинитися. Блокування включення не передбачене. Тригер має отвір **33**, що дозволяє повісити замок та заблокувати вимикач.

Завжди слідуйте за тим, щоб пильний диск зупинився перед витягуванням його з розрізу.

Видалення пилу (Рис. O)

УВАГА: Щоб знизити ризик серйозних травм, вимкніть інструмент та відключіть його від мережі живлення перед транспортуванням, виконанням будь-яких налаштувань або зніманням/встановленням насадок чи аксесуарів. Випадковий запуск може призвести до травм.

УВАГА: Певні види пилу, такі як дубовий або буковий пил, вважаються канцерогенними, особливо у поєднанні з добавками для обробки деревини.

- Завжди видаляйте пил.
- Забезпечте гарну вентиляцію робочого простору.
- Рекомендується носити відповідний респіратор.

ОБЕРЕЖНО: Ніколи не працюйте з цією пилкою без пилозбірника або пирососа DeWALT. Деревний пил може представляти небезпеку для дихання.

ОБЕРЕЖНО: Перевіряйте і очищуйте пилозбірник кожного разу після використання.

УВАГА: При різанні алюмінію витягуйте пилозбірник, щоб уникнути небезпеки займання.

Ваша торцювальна пилка має вбудований порт для видалення пилу **12**, який дозволяє підключати пилозбірник **34**, 35 мм форсунку або пряме підключення до DeWALT AirLock (DWW9000-XJ).

При роботі з матеріалами дотримуйтесь правил, що діють у вашій країні.

Прикріплення пилозбірника

1. Прикріпіть пилозбірник **34** до порту для видалення пилу **12**, як зображено на Рисунку O.

Випорожнення пилозбірника

1. Зніміть пилозбірник **34** з пилки. Щоб випорожнити пилозбірник, акуратно потрусіть або постукайте по ньому.

2. Прикріпіть пилозбірник назад до порту для видалення пилу **12**.

Ви можете помітити, що не весь пил вдалося усунути з пилозбірника. Це не вплине на ефективність різання, але призведе до зниження коефіцієнту пилоуловлювання пилки. Щоб відновити коефіцієнт пилоуловлювання пилки, під час випорожнення пилозбірника натискайте на пружину всередині нього та стукайте ним по краю баку для сміття або контейнеру для пилу.

Зовнішнє видалення пилу (Рис. O)

При сухому прибиранні пирососом, особливо шкідливого для здоров'я або канцерогенного пилу, використовуйте спеціальний пиросос класу M.

Підключення до пирососа, сумісного з AirLock (Рис. O)

Порт для видалення пилу **12** на вашій торцювальній пилці сумісний з системою підключення DeWALT AirLock. Роз'єм AirLock забезпечує швидке і надійне з'єднання між шлангом пирососа **38** і торцювальною пилкою.

1. Переконайтеся, що манжета на роз'ємі AirLock **39** знаходиться в розблокованому положенні. (Див. Рисунок O.) Зіставте виміки **40** на манжеті і роз'ємі AirLock, як показано для положень розблокування і блокування.

2. Вставте роз'єм Airlock в порт пилососа **12**.

3. Поверніть манжету в заблоковане положення.

ПРИМІТКА: Кулькопідшипники всередині манжети входять в паз і фіксують з'єднання. Тепер торцювальна пила надійно підключена до пилососа.

Різнання за допомогою вашої пилки

ПРИМІТКА: Хоча ця пила може працювати з деревиною та багатьма кольоровими металами, ми обмежимося лише різнанням дерева. Такі самі інструкції підходять і для інших матеріалів. **НЕ РОЗРІЗУЙТЕ ЧОРНІ МЕТАЛИ (ЗАЛІЗО АБО СТАЛЬ), А ТАКОЖ ЦЕГЛУ ЦІЄЮ ПИЛКОЮ.** Не використовуйте абразивні леза.

Поперечні розрізи (Рис. N)

Не рекомендується різнання декількох заготовок, але воно може бути виконане безпечно, якщо переконаєтесь, що кожна заготовка міцно прикріплена до столу і напрямної. Торцювання виконується шляхом різнання деревини під будь-яким кутом поперек волокон. Пряме торцювання виконується з важелем скоосу в нульовому положенні. Встановіть важіль скоосу на нуль, міцно притисніть деревину до столу і напрямної. Увімкніть пилку, натиснувши на тригерний перемикач, як показано на Рисунок N. Коли пила набере швидкість (близько 1 секунди), плавно і повільно опустіть важіль для розпилу деревини. **Перед тим як підняти ріжучу голівку, дайте диску повністю зупинитися.**

⚠ ОБЕРЕЖНО: Завжди використовуйте затиск заготовки для підтримання контролю і зниження ризику пошкодження заготовки і отримання травми.

Поперечні розрізи виконуються за допомогою важеля скоосу під кутом, відмінним від нуля. Часто цей кут складає 45° для створення кутів, але може бути встановлений в діапазоні від нуля до 50° вліво або вправо. Вибравши потрібний кут скоосу, обов'язково затягніть ручку фіксації кута скоосу. Зробіть розріз, як описано вище.

Щоб прорізати існуючу накреслену лінію на шматку дерева, підберіть кут якомога точніше. Обріжте деревину трохи далі і вимірте від накресленої лінії до ріжучої кромки, щоб визначити, в якому напрямку відрегулювати кут скоосу і повторіть різнання. Для цього буде потрібно трохи потренуватися, але це широко використовувана практика.

Різнання фасок (Рис. A)

Різнання фасок – це поперечне різнання, виконане пильним диском під нахилом до дерева. Для того, щоб встановити нахил, ослабте ручку фіксації кута нахилу **11** і посуньте пилку вліво за бажанням. (Необхідно перемістити ліву сторону напрямної, щоб залишити вільний простір). Після встановлення необхідного кута нахилу міцно затягніть ручку фіксації кута нахилу.

Кут нахилу може змінюватися від 3° вправо до 48° вліво, при цьому кут повороту консолі можна встановити між нулем та кутом 50° вліво або вправо. Переконайтеся, що напрямна правильно відрегульована. При різанні лівої фаски або комбінованому правому косому різанні необхідно зняти регульовану напрямну.

Якість розрізу

Гладкість будь-якого розрізу залежить від ряду чинників, що впливають на якість: матеріал, який ріжеться, тип леза, гострота леза і швидкість різнання – все це впливає на якість розрізу.

Якщо необхідні особливо гладкі зрізи, наприклад, при виготовленні плінтусів або іншої точній роботі, потрібно використовувати добре заточений (60-80 зубців, твердосплавний) диск при дуже малій, рівномірній швидкості різнання.

Переконайтеся, що матеріал не ковзає під час різнання. Надійно закріпіть його на місці. Перед тим як підняти ріжучу голівку, завжди давайте диску повністю зупинитися.

Якщо відколюються маленькі тріски із задньої сторони розрізу, можна приклеїти в місці розрізу смужку клейкої стрічки. Ріжте разом зі стрічкою, а після завершення розрізу обережно зніміть стрічку.

Для різних варіантів використання див. список рекомендованих пильних дисків для вашої пилки і виберіть той, який краще всього відповідає вашим потребам. Див. розділ **Пильні диски** в розділі **Додаткові аксесуари** для здобуття інформації про правильний пильний диск.

Затиск заготовки

⚠ УВАГА: Щоб знизити ризик отримання серйозної травми, вимкніть інструмент та від'єднайте його від джерела живлення, перш ніж намагатися перемістити, замінити приладдя або виконати будь-яке регулювання.

⚠ УВАГА: Затиснута, збалансована і надійно закріплена перед різнанням заготовка може стати незбалансованою після завершення різнання. Незбалансоване навантаження може привести до перекидання пилки або всього, до чого вона кріпиться, наприклад, столу або верстака. При виконанні розрізу, який може стати незбалансованим, правильно утримуйте заготовку і стежте за тим, щоб пила була міцно закріплена болтами на стійкій поверхні. Можуть виникнути травми.

⚠ УВАГА: При використанні затиску лапка затиску повинна залишатися закріпленою над підставкою пилки. Завжди закріплюйте заготовку на підставці пилки, а не на будь-якій іншій частині робочої зони. Переконайтеся, що лапка затиску не затиснута на краю підставки пилки.

⚠ ОБЕРЕЖНО: Завжди використовуйте затиск заготовки для підтримання контролю і зниження ризику пошкодження заготовки і отримання травми.

Якщо ви не можете закріпити заготовку на столі і прикріпити її до напрямної рукою (неправильна форма тощо) або ваша рука буде знаходитись менш ніж в 100 мм від леза, слід використовувати затиск або інше пристосування.

Для отримання кращих результатів використовуйте затиск, що поставляється в комплекті з пилкою.

Інші пристосування, такі як пружинні, брускі або С-образні затиски, можуть підходити для певних розмірів і форм матеріалу. Дотримуйтеся обережності при виборі і встановленні цих затисків. Перед виконанням різнання слід виконати пробну імітацію різнання. Ліва напрямна буде ковзати з одного боку в інший для полегшення затиску.

Встановлення затиску (Рис. A)

1. Вставте затиск в одне з чотирьох місць **15** на підставці.
2. Підняття на важелі затиску дозволяє швидко відрегулювати висоту, а потім за допомогою ручки точного регулювання надійно затиснути заготовку.

ПРИМІТКА: Помістіть затиск на протилежному боці підставки при нахилі. ЗАВЖДИ ВИКОНУЙТЕ ІМІТАЦІЮ РІЗАННЯ (БЕЗ ЖИВЛЕННЯ) ПЕРЕД ПОЧАТКОМ РОЗРІЗУ, ЩОБ ПОБАЧИТИ ШЛЯХ ПИЛЬНОГО ДИСКА. ПЕРЕКОНАЙТЕСЯ, ЩО ЗАТИСК НЕ ЗАВАЖАЄ РОБОТІ ПИЛКИ АБО ЗАХИСНИХ ПРИСТОСУВАНЬ.

Підтримка довгих заготовок

⚠ УВАГА: Щоб знизити ризик отримання серйозної травми, вимкніть інструмент та від'єднайте його від джерела живлення, перш ніж намагатися перемістити, замінити приладдя або виконати будь-яке регулювання.

ЗАВЖДИ ДОБРЕ ФІКСУЙТЕ ДОВГІ ЗАГОТОВКИ.

Ніколи не використовуйте інших людей в якості заміни висувного столу; як додаткову опору заготовки, довжина або ширина якої перевищує базову ширину столу торцювальної пилки, а також для забезпечення подачі, підтримки або витягування заготовки.

Для досягнення найкращих результатів використовуйте стійку для торцювальної пилки DWX723, DE7260 або DeDE7033, щоб збільшити ширину столу вашої пилки. Їх можна придбати у вашого дилера за додаткову плату.

Підтримуйте довгі заготовки, використовуючи будь-які звичайні засоби, як пильні козли або аналогічні пристрої для підтримки кінців заготовок.

Виготовлення картинних рам, невеликих ящиків та інших виробів з чотирма сторонами (Рис. P)

Щоб краще зрозуміти, як виготовляти наведені тут вироби, ми пропонуємо вам спробувати кілька простих проектів з використанням деревних відходів, поки ви не «відчуєте» свою пилку.

Ваша пила — це ідеальний інструмент для обрізання кутів, як показано на Рисунок P. На ескізі A Рисунок P показано з'єднання, виконане за допомогою регулювання нахилу для обрізання країв обох дощок під 45° кожна для створення кута 90°. Для цього з'єднання важіль скоосу був заблокований в нульовому положенні, а регулювання кута нахилу – на 45°. Дощку необхідно було розмістити на столі пилки плоским боком до столу та вузькою стороною до напрямної. Розріз можна отримати, змінюючи кут скоосу вправо або вліво, при цьому широка поверхня дошки має бути направлена до напрямної.

Різнання профілів та інших рам (Рис. P)

На ескізі B Рисунок P показано з'єднання, виконане шляхом установки важеля скоосу на 45°, щоб з'єднати дві дошки під кутом 90°. Для виконання цього типу з'єднання встановіть кут нахилу на нуль, а важіль скоосу – на 45°. Знову розмістіть дошку на столі плоским боком до столу та вузькою стороною до напрямної.

Два ескізи на Рисунок P вірні лише для виробів з чотирма сторонами.

При змін кількості сторін, потрібно змінювати кут скоосу або нахилу. На наведений нижче таблиці показані правильні кути для різних фігур. У таблиці передбачається, що всі сторони мають рівну довжину. Для фігур, не показаних в таблиці, використовуйте наступну формулу. 180°, поділене на кількість сторін, дорівнює куту скоосу або нахилу.

ПРИКЛАДИ

Кількість сторін	Кут скоосу або нахилу
4	45°
5	36°
6	30°
7	25,7°
8	22,5°
9	20°
10	18°

Комбіноване різнання (Рис. Q, R)

Комбіноване різнання – це коли і кут скоосу, і кут нахилу не дорівнюють нулю. Такі розрізи потрібно виконувати при виготовленні рам або ящиків з похилими стінками, як показано на Рисунок Q.

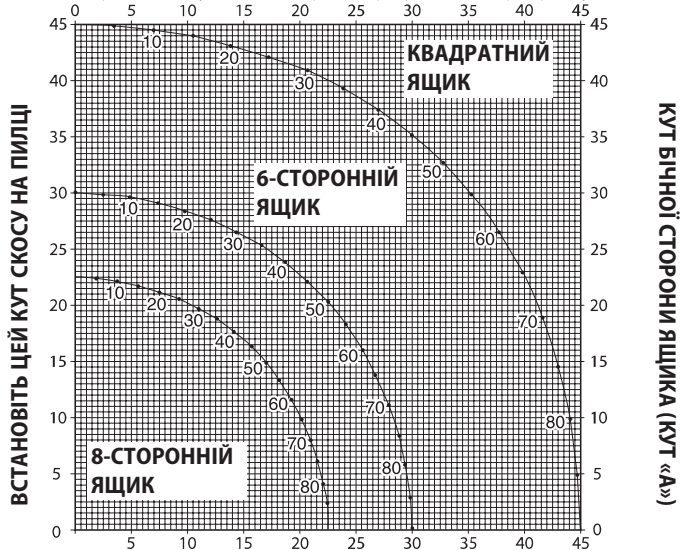
ПРИМІТКА: Якщо при роботі потрібно змінювати кути скоосу і нахилу постійно, перевірте, щоб перед включенням пилки були міцно затягнені обидві фіксуючі рукоятки. Тобто потрібно добре затягувати ручки фіксації після кожної зміни кута скоосу або нахилу.

Діаграма (Таблиця 1) допоможе обрати потрібні кути нахилу і скоосу для найбільш розповсюджених виробів. При використанні діаграми потрібно спочатку визначити потрібний кут «А» (Рисунок R) і відкласти на відповідній дузі діаграми. Від цієї точки необхідно провести пряму донизу, щоб отримати кут нахилу, і горизонтальну пряму, щоб отримати кут скоосу.

Встановіть отримані кути на пилці і зробіть кілька пробних відрізів. Потренуйтеся підганяти відрізані шматки разом до тих пір, поки не виробите навички для цієї процедури і не відчуєте себе з нею комфортно.

ПРИКЛАД: Щоб зробити 4-сторонній ящик з кутами нахилу сторін 26° (кут A, Рисунок R), використовуйте крайню праву дугу. Знайдіть 26° на шкалі дуги. Відкладіть горизонтальну пряму до будь-якої вертикальної осі і отримайте кут скоосу пилки 42°. Аналогічно

проведіть вертикальну пряму донизу або догори і отримайте кут нахилу пилки 18°). Завжди потрібно виконувати кілька пробних розрізів, щоб перевірити установки пилки.



ВСТАНОВІТЬ ЦЕЙ КУТ НАХИЛУ НА ПИЛЦІ

Шкала повороту (Рис. А)

Шкала повороту **7** використовується при розрахунку кутів. Щоб розрахувати потрібний кут скосу, поділіть 180° на кількість сторін коробки або рамки. Див. **приклад**.

При повороті вправо

Щоб збільшити кут повороту при повороті вправо, пересувайте консоль вправо так, щоб вирівняли позначку шкали Верн'єра із найближчим значенням на шкалі повороту. Щоб зменшити кут повороту при повороті вправо, пересувайте консоль ліво так, щоб вирівняли позначку шкали Верн'єра із найближчим значенням на шкалі повороту.

При повороті вліво

Щоб збільшити кут повороту при повороті вліво, пересувайте консоль ліво так, щоб вирівняли позначку шкали Верн'єра із найближчим значенням на шкалі повороту. Щоб зменшити кут повороту при повороті вліво, пересувайте консоль вправо так, щоб вирівняли позначку шкали Верн'єра із найближчим значенням на шкалі повороту.

Різнання плінтусів

ПЕРЕД ВИКОНАННЯМ БУДЬ-ЯКОГО РОЗРІЗУ, ЗАВЖДИ ПОТРІБНО ПЕРЕВІРИТИ РУХ ГОЛІВКИ, НЕ ВКЛЮЧАЮЧИ ПИЛКУ.

Прямі розрізи під кутом 90° (Рис. S)

Розмістіть дерев'яну заготовку на напрямній, як показано на Рисунку S. Увімкніть пилку, дайте їй набрати повну швидкість і плавно опустіть ріжучу головку в розріз.

Різнання плінтусів висотою до 89 мм вертикально до напрямної (Рис. L, S)

Розмістіть плінтус, як показано на Рисунку S.

Всі розрізи слід виконувати з задньої сторони плінтуса до напрямної і з нижньої сторони плінтуса до столу.

	Внутрішній кут	Зовнішній кут
Ліва сторона	1. Скіс зліва 45° 2. Отримувана деталь буде знаходитись зліва від диска	1. Скіс справа 45° 2. Отримувана деталь буде знаходитись зліва від диска
Права сторона	1. Скіс справа 45° 2. Отримувана деталь буде знаходитись справа від диска	1. Скіс зліва 45° 2. Отримувана деталь буде знаходитись справа від диска

Матеріал до 89 мм можна різати, як описано вище. Для ширших дощок (до 108 мм) необхідно зробити декілька невеликих поступок.

При різанні дошки шириною від 89 мм до 108 мм ролик на кінчику кожуха може повиснути на заготовці. В цьому випадку просто помістіть великий палець правої руки на верхню сторону кожуха і поверніть його вгору, щоб очистити заготовку, як показано на Рисунку L. Після очищення заготовки можна відпустити кожух і він продовжить відкриватися, поки виконується розріз.

При повороті в праву сторону плінтуса шириною більше 89 мм, розташованого вертикально до напрямної, як показано на Рисунку U, пилка зможе різати дошку лише до 1 дюйма від її краю. Спроба розрізати більш ніж на дюйм приведе до того, що корпус редуктора пилки заважатиме заготовці. При необхідності розрізати плінтус шириною від 89 мм до 108 мм по вертикалі, виконайте наведені нижче вказівки.

Різнання плінтуса 89-108 мм вертикально до напрямної (Рис. S)

- Розмістіть плінтус, як показано на Рисунку S.
- Всі розрізи виконуються з тильного боку плінтуса відносно напрямної.

	Внутрішній кут	Зовнішній кут
Ліва сторона*	1. Розмістіть плінтус нижньою частиною до підставки пилки 2. Скіс зліва 45° 3. Отримувана деталь буде знаходитись зліва від диска	1. Розмістіть плінтус нижньою частиною до підставки пилки 2. Скіс справа 45° 3. Отримувана деталь буде знаходитись зліва від диска
Права сторона	1. Розмістіть плінтус з упором нижньою частиною до підставки пилки 2. Скіс справа 45° 3. Отримувана деталь буде знаходитись справа від диска	1. Розмістіть плінтус нижньою частиною до підставки пилки 2. Скіс зліва 45° 3. Отримувана деталь буде знаходитись справа від диска

* **ПРИМІТКА:** якщо різання виконується на відстані, відмінній від 1" від краю плінтуса: відріжте плінтус під кутом 90° приблизно на 25,4 мм довше, ніж ваша кінцева довжина, потім виконайте косий зріз, як описано вище.

Інший спосіб різання полягає у виконанні зрізу з нульовим кутом скосу і кутом нахилу 45°. Ваша пила може різати фаску шириною 158 мм.

Різнання плінтуса, укладеного плоскопаралельно і з використанням функції зняття фаски

- Всі розрізи виконуються пилкою, встановленою під кутом нахилу 45° і кутом скосу 0°.
- Всі розрізи виконуються з тильного боку плінтуса, що лежить плоско на пилці.
- Перед виконанням будь-якого з наступних розрізів посуňte ліву сторону напрямної з траєкторії руху леза.

	Внутрішній кут	Зовнішній кут
Ліва сторона	1. Розташуйте плінтус так, щоб його верх був направлений до напрямної 2. Отримувана деталь буде знаходитись зліва від диска	1. Розташуйте плінтус так, щоб його низ був направлений до напрямної 2. Отримувана деталь буде знаходитись зліва від диска
Права сторона	1. Розташуйте плінтус так, щоб його низ був направлений до напрямної 2. Отримувана деталь буде знаходитись справа від диска	1. Розташуйте плінтус так, щоб його верх був направлений до напрямної 2. Отримувана деталь буде знаходитись справа від диска

Різнання карнизів

Ваша торцювальна пилка краще підходить для різання карнизів, ніж будь-який інший інструмент. Для того, щоб правильно підігнати карниз, необхідно виконати комбінування з високою точністю.

Дві плоскі поверхні на даній частині карниза знаходяться під кутом, який при складенні становить рівно 90°. У більшості, але не у всіх карнизів верхній задній кут (секція, яка плоско прилягає до стелі) становить 52°, а нижній задній кут (частина, яка плоско прилягає до стіни) — 38°.

Ваша торцювальна пилка має спеціальні встановлені точки фіксації під кутом 31,62° зліва і справа для різання карнизів під потрібним кутом. На шкалі нахилу також є відмітка 33,85°.

Налаштування **нахилу/діаграма тупів розрізів** дає правильні параметри для різання карнизів. (Цифри для регулювання параметрів скосу і нахилу дуже точні і задаються на пилці не так просто.) Оскільки в більшості приміщень кути не дорівнюють точно 90°, вам все одно доведеться точно налаштувати параметри.

ДУЖЕ ВАЖЛИВО ПРОВЕСТИ ПОПЕРЕДНЄ ТЕСТУВАННЯ З ВИКОРИСТАННЯМ ВІДХОДІВ!

Різнання карнизів при укладанні на плоску поверхню і використання властивостей комбінування (Рис. T)

- Перед виконанням будь-якого з наступних розрізів посуňte розсувну напрямну **10** з траєкторії руху леза.
- Форма, що лежить на столі пилки **36** широкою задньою поверхнею вниз (Рис. T).

НАЛАШТУВАННЯ НАХИЛУ	ТИП РОЗРІЗУ
33,9°	ЛІВА СТОРОНА, ВНУТРІШНІЙ КУТ 1. Верхня частина форми навпроти напрямної 2. Скіс стола встановлений праворуч під кутом 31,6° 3. Отримувана деталь буде знаходитись зліва від диска
	ПРАВА СТОРОНА, ВНУТРІШНІЙ КУТ 1. Нижня частина форми навпроти напрямної 2. Скіс стола встановлений ліворуч під кутом 31,6° 3. Отримувана деталь буде знаходитись зліва від диска
	ЛІВА СТОРОНА, ЗОВНІШНІЙ КУТ 1. Нижня частина форми навпроти напрямної 2. Скіс стола встановлений ліворуч під кутом 31,6° 3. Отримувана деталь буде знаходитись справа від диска
33,9°	ПРАВА СТОРОНА, ЗОВНІШНІЙ КУТ 1. Верхня частина форми навпроти напрямної 2. Скіс стола встановлений праворуч під кутом 31,6° 3. Отримувана деталь буде знаходитись справа від диска

При встановленні кутів нахилу і скосу для всіх комбінованих зрізів, пам'ятаєте: Кути, показані для карнизів, дуже точні і важко піддаються точному налаштуванню. Так як їх можна легко зрушити, і лише в небагатьох приміщеннях є точні прями кути, всі параметри треба перевірити на формах з відходів.

ДУЖЕ ВАЖЛИВО ПРОВЕСТИ ПОПЕРЕДНЄ ТЕСТУВАННЯ З ВИКОРИСТАННЯМ ВІДХОДІВ!

Альтернативний спосіб різання карнизів (Рис. U)

Розмістіть форму на столі під кутом між розсувною напрямною **10** і столом пилки **36**, як показано на Рисунку U. Через точність і зручність роботи настійно рекомендується використовувати приладдя напрямної для карнизів (DW7084). Приладдя напрямної для карнизів можна придбати у місцевого дилера за додаткову плату.

Перевага такого методу різання карнизів полягає в тому, що не потребується різання фасок. Незначні зміни кута скосу можна виконувати без впливу на кут нахилу. Таким чином, при виявленні кутів, відмінних від 90°, пилку можна швидко і легко підігнати під них. Використовуйте приладдя напрямної для карнизів (DW7084) для підтримки кута, під яким форма буде знаходитись на стіні.

Інструкція з різання карнизів під кутом між напрямною і столом пилки для всіх розрізів (Рис. U)

- Нахиліть форму так, щоб нижня частина форми (частина якої спрямована до стіни при установці) була спрямована до напрямної, а верхня частина — спиралася на підставку пилки, як показано на Рисунку U.
- Похилі «площини» на задній стороні форми мають бути розташовані прямо на напрямній і підставці пилки.

	Внутрішній кут	Зовнішній кут
Ліва сторона	1. Скіс справа 45° 2. Отримувана деталь буде знаходитись справа від диска	1. Скіс зліва 45° 2. Отримувана деталь буде знаходитись справа від диска
Права сторона	1. Скіс зліва 45° 2. Отримувана деталь буде знаходитись зліва від диска	1. Скіс справа 45° 2. Отримувана деталь буде знаходитись зліва від диска

Спеціальні розрізи

НІКОЛИ НЕ РОЗРІЗАЙТЕ МАТЕРІАЛ, НЕ ВИКОНАВШИ ФІКСАЦІЮ МАТЕРІАЛУ ДО СТОЛУ ТА ДО НАПРЯМНОЇ.

Різання алюмінію (Рис. A, V, W)

ЗАВЖДИ ВИКОРИСТОВУЙТЕ ВІДПОВІДНИЙ ДИСК ПИЛКИ, ВИГОТОВЛЕНИЙ СПЕЦІАЛЬНО ДЛЯ РІЗАННЯ АЛЮМІНІЮ. Їх можна придбати у місцевого дилера DEWALT або в сервісному центрі DEWALT. Для деяких заготовок, у зв'язку з їх розмірами, формою або обробкою поверхні, може знадобитись використання затиску або пристосування для запобігання переміщенню під час різання. Розташуєть матеріал так, щоб розрізати найтонший поперечний перетин, як показано на Рисунку V. На Рисунку W показаний неправильний спосіб розрізання цих профілів. При різанні алюмінію використовуйте воскову мастильну-охолоджуючу рідину. Нанесіть віск безпосередньо на пильний диск **26** перед початком різання. Ніколи не наносіть віск на лезо під час обертання.

Віск, який можна придбати в більшості магазинів металокопункцій і виробничих цехів, забезпечує належне змащення і запобігає прилипанню стружки до леза.

Переконайтесь, що заготовка добре закріплена. Див. розділ **Пильні диски** в розділі **Додаткові аксесуари** для здобуття інформації про правильний пильний диск.

Зігнутий матеріал (Рис. X, Y)

При різанні вигнутого матеріалу завжди розташовуйте його, як показано на Рисунку X і ніколи, як показано на Рисунку Y. Невірне розташування матеріалу може призвести до затиснення диску біля завершення розрізу.

Розрізання пластикових труб або інших круглих матеріалів

Пластикові труби можна легко розрізати вашою пилкою. Їх слід різати так само, як дерево, і **МІЦНО ПРИТИСКАТИ АБО ЗАКРІПЛЮВАТИ ДО НАПРЯМНОЇ, ЩОБ ЗАПОБІГТИ ЇХ СКОЧУВАННЮ**. Це особливо важливо при виконанні розрізів під кутом.

Різка великого матеріалу (Рис. L)

Час від часу вам може попасти шматок дерева, занадто великий, щоб розташувати його під захисним кожухом диска. Можна отримати деяку додаткову висоту, піднявши кожух дещо вгору, як показано на Рисунку L. Цього потрібно уникати, але якщо це дійсно необхідно, пилка буде працювати нормально і робитиме більші розрізи. **НІКОЛИ НЕ ПРИВ'ЯЗУЙТЕ, НЕ ПРИКЛЕЙТЕ ТА НЕ ФІКСУЙТЕ ЗАХИСНИЙ КОЖУХ ІНШИМ ЧИНОМ ПРИ РОБОТІ З ПИЛКОЮ.**

ТЕХНІЧНЕ ОБСЛУГОВУВАННЯ

Ваш електричний інструмент призначений для роботи протягом довгого часу з мінімальним обслуговуванням. Довга задовільна робота приладу залежить від належного обслуговування приладу та регулярного його очищення.

ПОПЕРЕДЖЕННЯ: Щоб знизити ризик серйозних травм, вимкніть інструмент та відключіть його від мережі живлення перед виконанням будь-яких налаштувань або зніманням/встановленням насадок або приладдя. Випадковий запуск може призвести до травм.

НЕ використовуйте мастила та очищувачі (особливо спрей або аерозоль) поблизу пластикового кожуха. Полікарбонатний матеріал, що використовується в кожусі, піддається впливу певних хімічних речовин.

- Всі підшипники герметичні. Вони змащуються на все життя і не потребують подальшого обслуговування.
- Періодично очищайте весь пил та деревну стружку навколо та ПІД основним столом та роторним столом. Незважаючи на те, що зазори призначені для проходження кризь них сміття, накопичиться деякий пил.
- Щітки розраховано на кілька років використання. Щоб замінити щітки, поверніть інструмент до найближчого сервісного центру для ремонту. Список розташування сервісних центрів упаковано разом із інструментом.



Змащування

Ваш електричний інструмент не вимагає додаткового змащування.



Очищення

ПОПЕРЕДЖЕННЯ: Коли пил та бруд стають помітними та починають накопичуватися біля вентиляційних отворів, видуйте бруд та пил зсередини основного корпусу за допомогою сухого повітря. Використовуйте рекомендовані засоби захисту органів зору та рекомендовану протипилову маску при виконанні цієї операції.

ПОПЕРЕДЖЕННЯ: Ніколи не використовуйте розчинники та інші агресивні хімічні засоби для очищення неметалевих деталей інструмента. Такі хімічні речовини можуть нанести шкоду матеріалам, що використовуються в цих деталях. Використовуйте вологу ганчірку, змочену лише водою з м'яким милом. Не дозволяйте рідині потрапляти всередину інструмента та ніколи не занурюйте деталі інструмента в рідину.

Додаткові аксесуари

ПОПЕРЕДЖЕННЯ: Оскільки інше приладдя, що не зазначене виробником DEWALT, не перевірялося з цим пристроєм, його використання з інструментом може бути небезпечним. Необхідно використовувати лише рекомендовані DEWALT приладдя з цим пристроєм, щоб знизити ризик отримання травми.

Зверніться до свого дилера для отримання подальшої інформації щодо відповідного приладдя. Нижче наведена інформація про додаткові пристосування для пилки. У деяких випадках більш доцільним може бути використання робочих опор, упорів для встановлення довжини, струбцин та інших додаткових пристосувань від сторонніх постачальників. Додаткові пристосування слід обирати уважно.

Регульований упор для встановлення довжини: DW7051

Для використання упору потрібна одна робоча опора. Упор призначений для нарізування деталей однакової довжини від 0 до 107 см.

Струбцина: DW7082

Призначена для надійного кріплення заготовки відносно напрямної для забезпечення рівного відрізу.

Пилосбірник: DW7053

Входить до комплекту деяких моделей

Пилосбірник збирає більшість тирси, що утворюється у процесі різання, та має застібку блискавку для спороження.

Напрямна для різання карнизів: DW7084

Призначена для різання карнизів.

Робочі столи для торцевої пилки: DWX723, DE7260, DE7033

Стийка та геометрично точна робоча опора для пилки торцювання.

Пильні диски

СЛІД ВИКОРИСТОВУВАТИ ПИЛЬНІ ДИСКИ ДІАМЕТРОМ 254 мм З ОТВОРОМ ДЛЯ ВАЛУ 16 мм. ДОПУСТИМА ШВИДКІСТЬ ОБЕРТАННЯ ДИСКУ МАЄ СТАНОВИТИ НЕ МЕНШ 5500 ОБ/ХВ. Використання дисків меншого діаметру заборонено. Захисний кожух пилки не забезпечує належний захист для менших дисків. Слід використовувати лише диски для поперечного різання! Забороняється застосовувати диски для поздовжнього різання, комбіновані диски та диски с переднім кутом зубів більше 7 градусів.

ПАРАМЕТРИ ДИСКІВ		
ЗАСТОСУВАННЯ	ДІАМЕТР	КІЛЬКІСТЬ ЗУБІВ
Диски для будівельних робіт (тонкий проріз за антипригарним ободом)		
Загального використання	254 мм	40
Для тонкого відрізу	254 мм	60
Диски для столярних робіт (забезпечують рівний та гладкий відріз)		
Для тонкого відрізу	254 мм	80
Для кольорових металів	254 мм	80
ПРИМІТКА: Для різання кольорових металів слід використовувати лише спеціальні диски з трапецеївидними зубами (TSG).		

Захист навколишнього середовища

Роздільний збір. Пристрої позначені цим символом, не можна викидати зі звичайним побутовим сміттям.

Пристрої містять матеріали, які можна відновити та переробити, що зменшить потребу у сировині. Утилізуйте електротехнічну продукцію відповідно до місцевих положень. Більш детальну інформацію можна отримати на сайті www.2helpU.com.



Виробник:
"Stanley Black & Decker Deutschland
GmbH" Black-&-Decker Str.40, D-65510
Idstein, Німеччина

060

Інструкції щодо виявлення та усунення несправностей БОВ'ЯЗКОВО ДОТРИМУЙТЕСЬ ПРАВИЛ ТА ІНСТРУКЦІЙ З ТЕХНІКИ БЕЗПЕКИ

НЕСПРАВНІСТІ!	ЩО НЕ ТАК?	ЩО РОБИТИ
Пилка не запускається	Пилка не підключена до мережі	Підключіть пилку до мережі.
	Згорів запобіжник або спрацював автоматичний вимикач	Замініть запобіжник або скиньте автоматичний вимикач.
	Пошкоджено шнур	Замініть шнур живлення в авторизованому сервісному центрі.
	Щітки зношені	Замініть щітки в авторизованому сервісному центрі або самостійно.
Пилка робить незадовільні розрізи	Тупий диск	Замініть диск. Див. розділ Заміна або установка нового пильного диска.
	Диск встановлено задом наперед	Поверніть диск. Див. розділ Заміна або установка нового пильного диска.
	На диску гума або смола	Витягніть диск і очистіть його скипидаром і грубою сталевією мочалкою або побутовим очистником для духовок.
	Диск не відповідає виконуваній роботі	Змініть тип диска. Див. розділ Пильні диски в розділі Приладдя.
Диск не досягає потрібної швидкості	Подовжувальний шнур занадто легкий або довгий	Замініть на шнур відповідного розміру. Див. розділ Додаткові правила безпеки при роботі з торцювальними пилами.
	Низьке значення струму в будинку	Зверніться до своєї електричної компанії.
Пристрій надмірно вібує	Пилка ненадійно закріплена на стійці або робочому столі	Затягніть всі кріпильні пристосування. Див. розділ Кріплення до верстаку.
	Стіяка або верстак стоїть на нерівній підлозі	Встановіть на рівній поверхні. Див. розділ Ознайомлення.
	Пильний диск пошкоджений	Замініть диск. Див. розділ Заміна або установка нового пильного диска.
Косі розрізи виходять неточними	Шкала повороту відрегульована неправильно	Перевірте та відрегулюйте. Див. розділ Регулювання шкали повороту в розділі Збирання і регулювання.
	Диск знаходиться не під прямим кутом до напрямної	Перевірте та відрегулюйте. Див. розділ Регулювання шкали повороту в розділі Збирання і регулювання.
	Диск знаходиться не під прямим кутом до столу	Перевірте та відрегулюйте напрямну. Див. розділ Кутотвір нахилу до столу в розділі Збирання і регулювання.
	Заготовка рухається	Надійно закріпіть заготовку до напрямної або приклейте наждачний папір із зернистістю 120 до напрямної за допомогою каучукового клею.
Матеріал затискає диск	Різання зігнутого матеріалу	Див. розділ Зігнутий матеріал в розділі Спеціальні розрізи.

