

**DEWALT**®

**XR**®

---

English ( <b>original instructions</b> )	7
--	---

---

Русский ( <i>перевод с оригинала инструкции</i> )	18
---	----

---

Українська ( <i>переклад з оригінальної інструкції</i> )	35
--	----

---

Fig. A

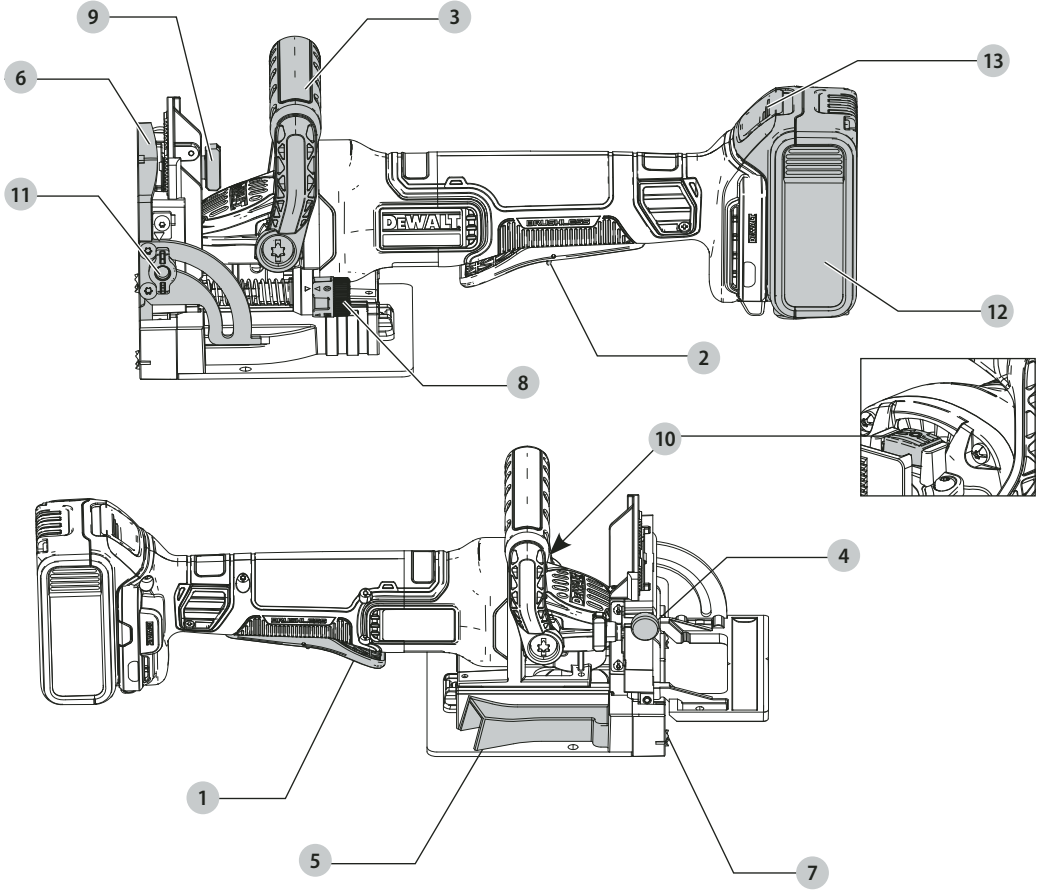


Fig. B

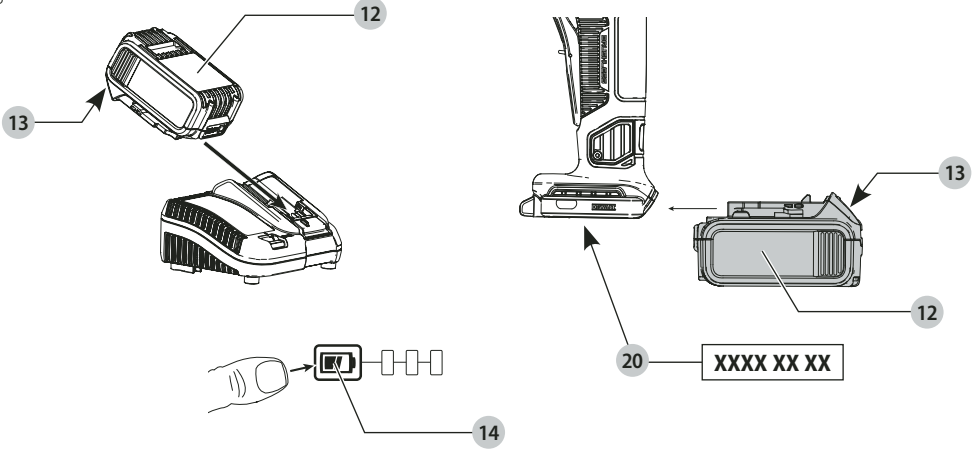


Fig. C

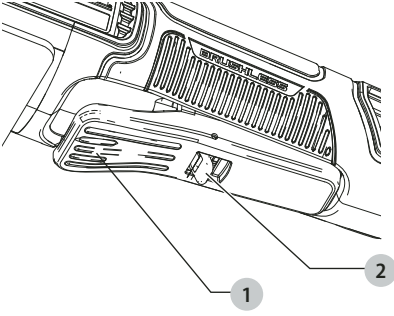


Fig. D1

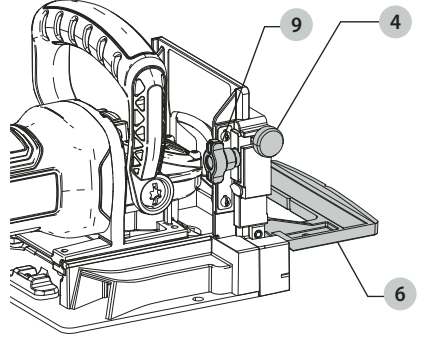


Fig. D2

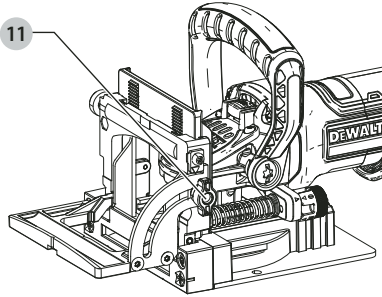


Fig. E

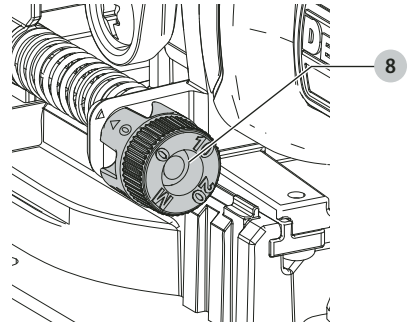


Fig. F

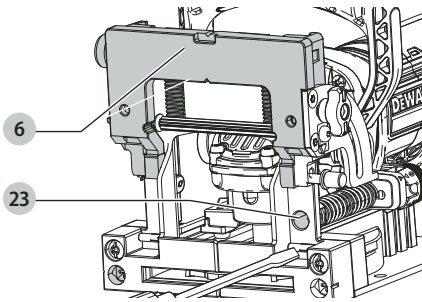


Fig. G

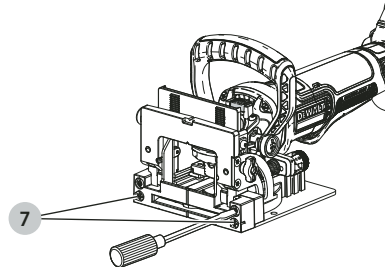


Fig. H

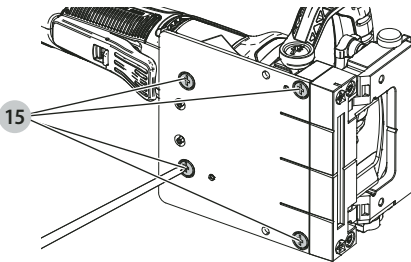


Fig. I

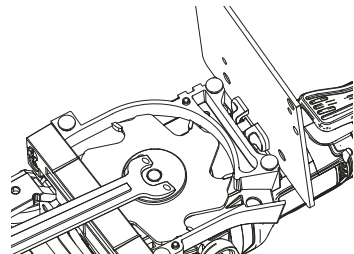


Fig. J

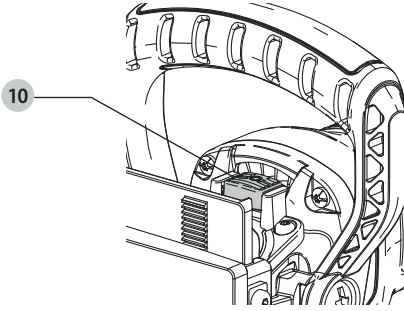


Fig. K1

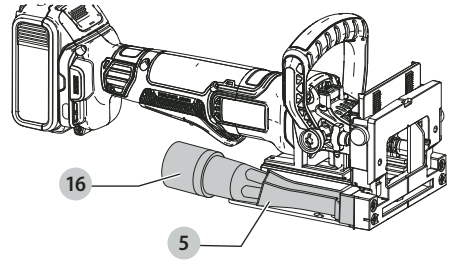


Fig. K2

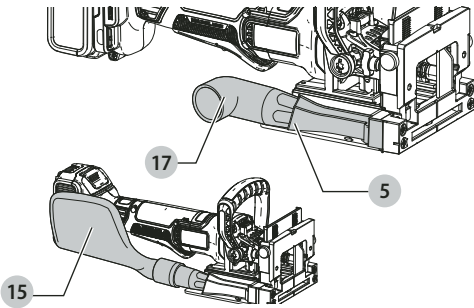


Fig. K3

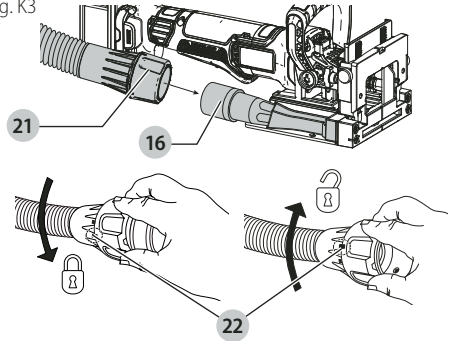


Fig. L

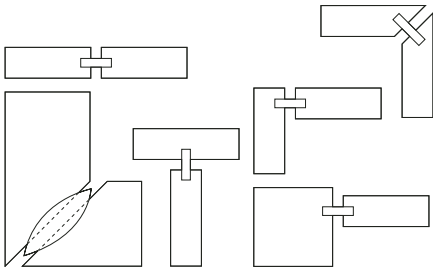


Fig. M

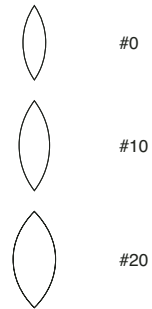


Fig. N1

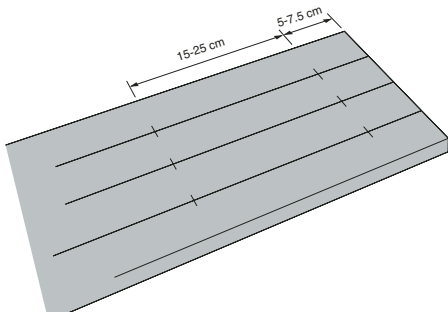


Fig. N2

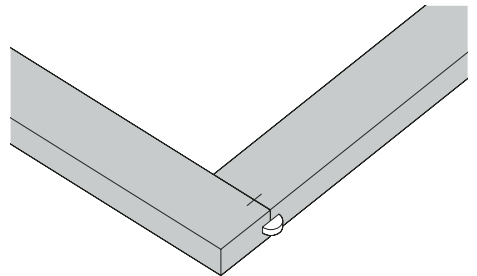


Fig. N3

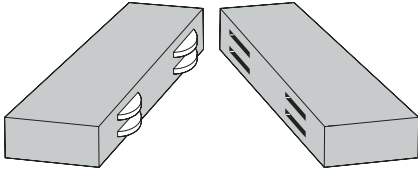


Fig. N4

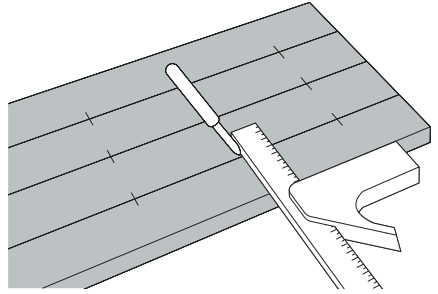


Fig. O

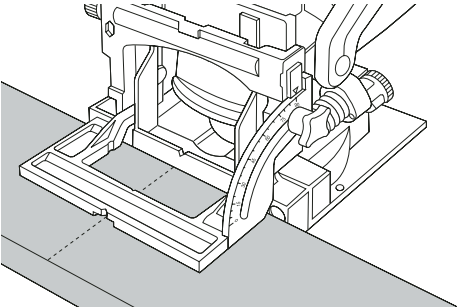


Fig. P1

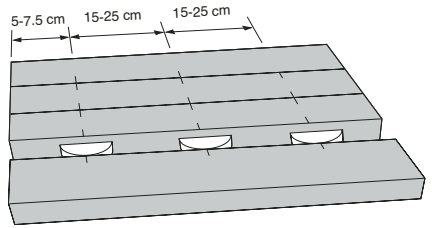


Fig. P2

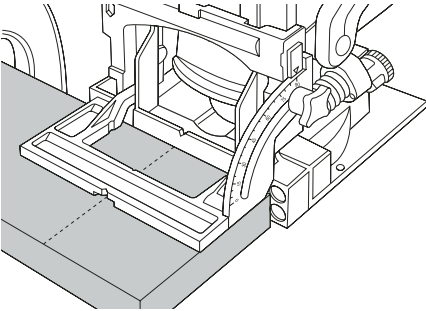


Fig. Q1

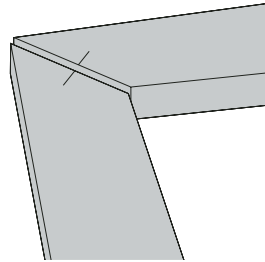


Fig. Q2

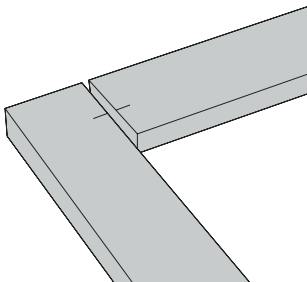


Fig. Q3

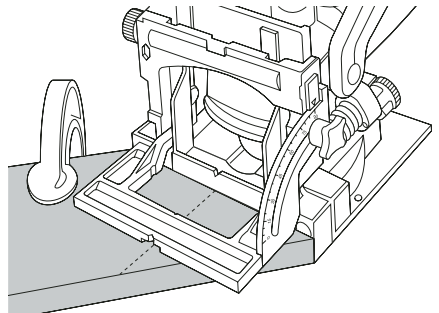


Fig. R1

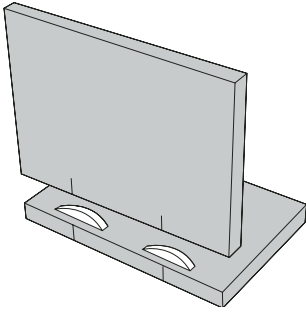


Fig. R2

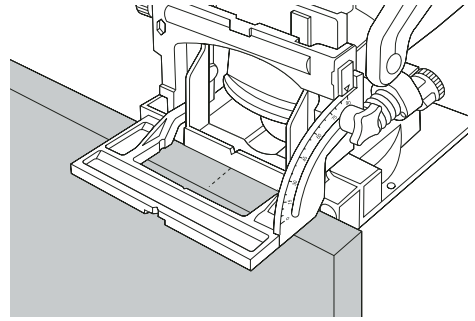


Fig. S

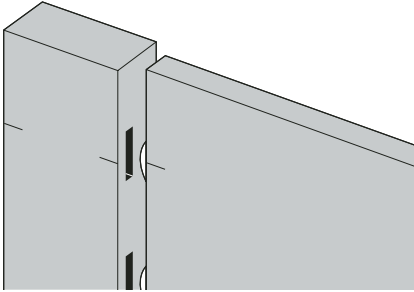


Fig. T1

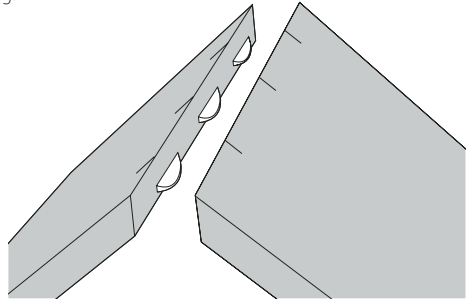


Fig. T2

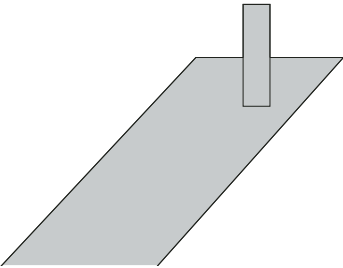


Fig. T3

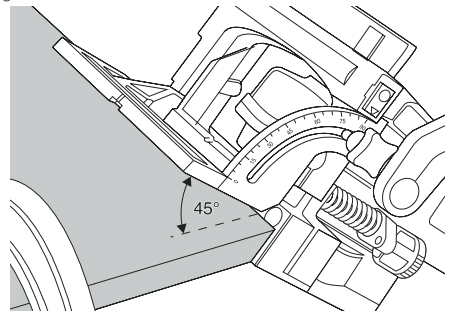


Fig. T4

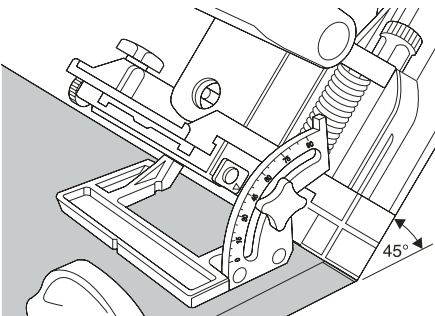


Fig. U1

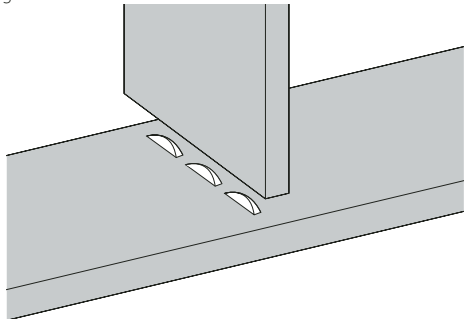


Fig. U2

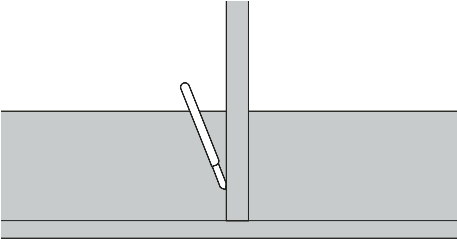


Fig. U3

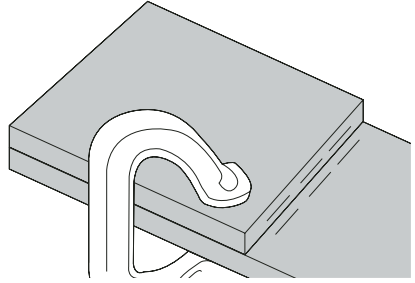


Fig. U4

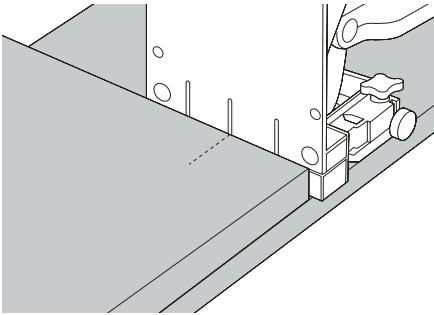


Fig. U5

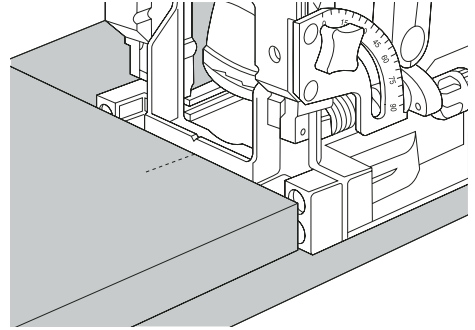
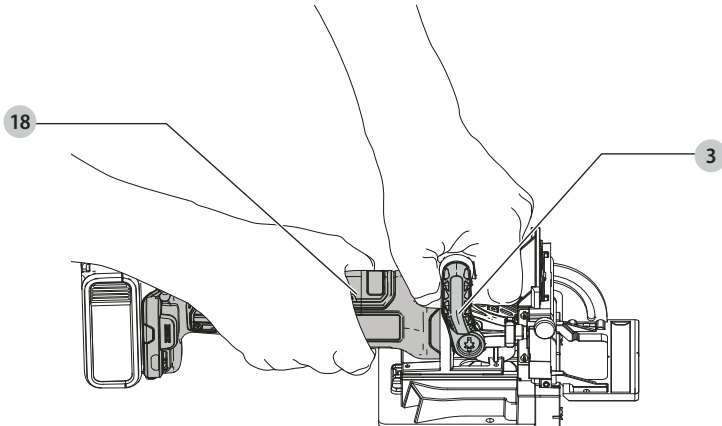


Fig. V





# BISCUIT JOINTER

## DCW692

### Congratulations!

You have chosen a DEWALT tool. Years of experience, thorough product development and innovation make DEWALT one of the most reliable partners for professional power tool users.

### Technical Data

		DCW692
Voltage	V <sub>DC</sub>	18
Type		1
Battery type		Li-Ion
Max. power output	W	900
No-load speed	min <sup>-1</sup>	8000
Depth of cut, max.	mm	20
Plunge depth adjustment	mm	8/10/12 (for biscuits 0/10/20)
Cutter diameter	mm	102
Cutter width	mm	4
Weight	kg	2.5

Noise values and vibration values (triax vector sum) according to EN60745-2-19:

L <sub>PA</sub> (emission sound pressure level)	dB(A)	84
L <sub>WA</sub> (sound power level)	dB(A)	95
K (uncertainty for the given sound level)	dB(A)	3
Main handle		
Vibration emission value a <sub>h</sub>	m/s <sup>2</sup>	1.5
Uncertainty K	m/s <sup>2</sup>	1.5

The vibration and/or noise emission level given in this information sheet has been measured in accordance with a standardised test given in EN62841 and may be used to compare one tool with another. It may be used for a preliminary assessment of exposure.



**WARNING:** *The declared vibration and/or noise emission level represents the main applications of the tool. However if the tool is used for different applications, with different accessories or poorly maintained, the vibration and/or noise emission may differ. This may significantly increase the exposure level over the total working period.*

*An estimation of the level of exposure to vibration and/or noise should also take into account the times when the tool is switched off or when it is running but not actually doing the job. This may significantly reduce the exposure level over the total working period.*

*Identify additional safety measures to protect the operator from the effects of vibration and/or noise such as: maintain the tool and the accessories, keep the hands warm (relevant for vibration), organisation of work patterns.*

### EC-Declaration of Conformity

#### Machinery Directive



#### Biscuit Jointer DCW692

DEWALT declares that these products described under

**Technical Data** are in compliance with:

2006/42/EC, EN60745-1:2009+A11:2010, EN60745-2-19:2009 +A1:2010.

These products also comply with Directive 2014/30/EU and 2011/65/EU. For more information, please contact DEWALT at the following address or refer to the back of the manual.

The undersigned is responsible for compilation of the technical file and makes this declaration on behalf of DEWALT.

Markus Rompel  
Vice-President Engineering, PTE-Europe  
DEWALT, Richard-Klinger-Straße 11,  
65510, Idstein, Germany  
15.02.2022

### DECLARATION OF CONFORMITY THE SUPPLY OF MACHINERY (SAFETY) REGULATIONS 2008



#### BISCUIT JOINTER DCW692

DEWALT declares that these products described under **Technical Data** are in compliance with:

The Supply of Machinery (Safety) Regulations, 2008, S.I. 2008/1597 (as amended),

EN60745-1:2009+A11:2010, EN60745-2-19:2009 +A1:2010.

These products conform to the following UK Regulations: Electromagnetic Compatibility Regulations, 2016, S.I.2016/1091 (as amended).

The Restriction of the Use of Certain Hazardous Substances in Electrical and Electronic Equipment Regulations 2012, S.I. 2012/3032 (as amended).

For more information, please contact DEWALT at the following address or refer to the back of the manual.

The undersigned is responsible for compilation of the technical file and makes this declaration on behalf of DEWALT.

Batteries				Chargers/Charge Times (Minutes)***									
Cat #	V <sub>DC</sub>	Ah	Weight (kg)	DCB104	DCB107	DCB112/ DCB1102	DCB113	DCB115/ DCB1104	DCB116	DCB117	DCB118	DCB132	DCB119
DCB181	18	1.5	0.35	22	70	45	35	22	22	22	22	22	45
DCB182	18	4.0	0.61	60/40**	185	120	100	60	60/45**	60/40**	60/40**	60	120
DCB183/B/G	18	2.0	0.40	30	90	60	50	30	30	30	30	30	60
DCB184/B/G	18	5.0	0.62	75/50**	240	150	120	75	75/60**	75/50**	75/50**	75	150
DCB185	18	1.3	0.35	22	60	40	30	22	22	22	22	22	40
DCB187	18	3.0	0.54	45	140	90	70	45	45	45	45	45	90
DCB189	18	4.0	0.54	60	185	120	100	60	60	60	60	60	120
DCBP034	18	1.7	0.32	27	82	50	40	27	27	27	27	27	50
DCBP518	18	5.0	0.75	75	240	150	120	75	75	75	75	75	150

\*Date code 201811475B or later

\*\*Date code 201536 or later

\*\*\*Battery charge times matrix provided for guidance only; charge times will vary depending on temperature and condition of batteries.

**power tool.** Failure to follow all instructions listed below may result in electric shock, fire and/or serious injury.

### SAVE ALL WARNINGS AND INSTRUCTIONS FOR FUTURE REFERENCE

The term "power tool" in the warnings refers to your mains-operated (corded) power tool or battery-operated (cordless) power tool.

#### 1) Work Area Safety

- Keep work area clean and well lit.** Cluttered or dark areas invite accidents.
- Do not operate power tools in explosive atmospheres, such as in the presence of flammable liquids, gases or dust.** Power tools create sparks which may ignite the dust or fumes.
- Keep children and bystanders away while operating a power tool.** Distractions can cause you to lose control.

#### 2) Electrical Safety

- Power tool plugs must match the outlet. Never modify the plug in any way. Do not use any adapter plugs with earthed (grounded) power tools.** Unmodified plugs and matching outlets will reduce risk of electric shock.
- Avoid body contact with earthed or grounded surfaces, such as pipes, radiators, ranges and refrigerators.** There is an increased risk of electric shock if your body is earthed or grounded.
- Do not expose power tools to rain or wet conditions.** Water entering a power tool will increase the risk of electric shock.
- Do not abuse the cord. Never use the cord for carrying, pulling or unplugging the power tool. Keep cord away from heat, oil, sharp edges or moving parts.** Damaged or entangled cords increase the risk of electric shock.
- When operating a power tool outdoors, use an extension cord suitable for outdoor use.** Use of a cord suitable for outdoor use reduces the risk of electric shock.



Karl Evans  
Vice President Professional Power Tools EANZ GTS  
DeWALT UK, 270 Bath Road, Slough  
Berkshire, SL1 4DX  
England  
15.02.2022



**WARNING:** To reduce the risk of injury, read the instruction manual.

### Definitions: Safety Guidelines

The definitions below describe the level of severity for each signal word. Please read the manual and pay attention to these symbols.



**DANGER:** Indicates an imminently hazardous situation which, if not avoided, **will** result in **death or serious injury**.



**WARNING:** Indicates a potentially hazardous situation which, if not avoided, **could** result in **death or serious injury**.



**CAUTION:** Indicates a potentially hazardous situation which, if not avoided, **may** result in **minor or moderate injury**.

**NOTICE:** Indicates a practice **not related to personal injury** which, if not avoided, **may** result in **property damage**.



Denotes risk of electric shock.



Denotes risk of fire.

### GENERAL POWER TOOL SAFETY WARNINGS



**WARNING:** Read all safety warnings, instructions, illustrations and specifications provided with this

- f) **If operating a power tool in a damp location is unavoidable, use a residual current device (RCD) protected supply.** Use of an RCD reduces the risk of electric shock.

### 3) Personal Safety

- a) **Stay alert, watch what you are doing and use common sense when operating a power tool. Do not use a power tool while you are tired or under the influence of drugs, alcohol or medication.** A moment of inattention while operating power tools may result in serious personal injury.
- b) **Use personal protective equipment. Always wear eye protection.** Protective equipment such as a dust mask, non-skid safety shoes, hard hat or hearing protection used for appropriate conditions will reduce personal injuries.
- c) **Prevent unintentional starting. Ensure the switch is in the off-position before connecting to power source and/or battery pack, picking up or carrying the tool.** Carrying power tools with your finger on the switch or energising power tools that have the switch on invites accidents.
- d) **Remove any adjusting key or wrench before turning the power tool on.** A wrench or a key left attached to a rotating part of the power tool may result in personal injury.
- e) **Do not overreach. Keep proper footing and balance at all times.** This enables better control of the power tool in unexpected situations.
- f) **Dress properly. Do not wear loose clothing or jewellery. Keep your hair and clothing away from moving parts.** Loose clothes, jewellery or long hair can be caught in moving parts.
- g) **If devices are provided for the connection of dust extraction and collection facilities, ensure these are connected and properly used.** Use of dust collection can reduce dust-related hazards.
- h) **Do not let familiarity gained from frequent use of tools allow you to become complacent and ignore tool safety principles.** A careless action can cause severe injury within a fraction of a second.

### 4) Power Tool Use and Care

- a) **Do not force the power tool. Use the correct power tool for your application.** The correct power tool will do the job better and safer at the rate for which it was designed.
- b) **Do not use the power tool if the switch does not turn it on and off.** Any power tool that cannot be controlled with the switch is dangerous and must be repaired.
- c) **Disconnect the plug from the power source and/or remove the battery pack, if detachable, from the power tool before making any adjustments, changing accessories, or storing power tools.** Such preventive safety measures reduce the risk of starting the power tool accidentally.
- d) **Store idle power tools out of the reach of children and do not allow persons unfamiliar with the power**

**tool or these instructions to operate the power tool.** Power tools are dangerous in the hands of untrained users.

- e) **Maintain power tools and accessories. Check for misalignment or binding of moving parts, breakage of parts and any other condition that may affect the power tool's operation. If damaged, have the power tool repaired before use.** Many accidents are caused by poorly maintained power tools.
- f) **Keep cutting tools sharp and clean.** Properly maintained cutting tools with sharp cutting edges are less likely to bind and are easier to control.
- g) **Use the power tool, accessories and tool bits etc. in accordance with these instructions, taking into account the working conditions and the work to be performed.** Use of the power tool for operations different from those intended could result in a hazardous situation.
- h) **Keep handles and grasping surfaces dry, clean and free from oil and grease.** Slippery handles and grasping surfaces do not allow for safe handling and control of the tool in unexpected situations.

### 5) Battery Tool Use and Care

- a) **Recharge only with the charger specified by the manufacturer.** A charger that is suitable for one type of battery pack may create a risk of fire when used with another battery pack.
- b) **Use power tools only with specifically designated battery packs.** Use of any other battery packs may create a risk of injury and fire.
- c) **When battery pack is not in use, keep it away from other metal objects, like paper clips, coins, keys, nails, screws or other small metal objects, that can make a connection from one terminal to another.** Shorting the battery terminals together may cause burns or a fire.
- d) **Under abusive conditions, liquid may be ejected from the battery; avoid contact. If contact accidentally occurs, flush with water. If liquid contacts eyes, additionally seek medical help.** Liquid ejected from the battery may cause irritation or burns.
- e) **Do not use a battery pack or tool that is damaged or modified.** Damaged or modified batteries may exhibit unpredictable behaviour resulting in fire, explosion or risk of injury.
- f) **Do not expose a battery pack or tool to fire or excessive temperature.** Exposure to fire or temperature above 130 °C may cause explosion.
- g) **Follow all charging instructions and do not charge the battery pack or tool outside the temperature range specified in the instructions.** Charging improperly or at temperatures outside the specified range may damage the battery and increase the risk of fire.

### 6) Service

- a) **Have your power tool serviced by a qualified repair person using only identical replacement parts.** This will ensure that the safety of the power tool is maintained.
- b) **Never service damaged battery packs.** Service of battery packs should only be performed by the manufacturer or authorized service providers.

## Additional Specific Safety Rules for the Biscuit Jointer

- **Disc cutters must be rated for at least the speed marked on the tool.** Disc cutters running over rated speed can fly apart and cause injury.
- **Always use the guard.** The guard protects the operator from broken disc cutter fragments and unintentional contact with the disc cutter.
- **Hold the power tool by insulated gripping surfaces, when performing an operation where the cutting accessory may contact hidden wiring.** Cutting accessory contacting a "live" wire may make exposed metal parts of the power tool "live" and could give the operator an electric shock.
- **MAXIMUM** allowed disc cutter diameter is 102 mm.
- **DO NOT** use blunt or damaged disc cutters.
- Check the proper function of the guard retracting system before use.
- **Wear a dust mask.** Exposure to dust particles can cause breathing difficulty and possible injury.
- Always ensure that the power tool is switched off before plugging into the mains.
- Do not switch off before the blade is running freely.
- Remove all nails and metal objects from the workpiece before starting work.
- After switching off, never attempt to stop the blade by pressing against the side of the blade.
- The tool must only be used for cutting wood or plastic.
- Ensure that all devices screening the blade are in perfect working order.
- Never put the tool down on a table or workbench unless switched off.
- Only blades conforming to the specifications contained in these operating instructions may be used.
- Blades made of high alloy, high-speed steel (HSS steel) should not be used. Best results are achieved using carbide-tipped or CrV blades.
- Only sharp blades in perfect working order should be used; cracked or bent blades should be discarded and replaced at once.
- Ensure that the blade is securely fixed and rotates in the correct direction.
- Kickback occurs when the tool begins to stall rapidly and is driven back towards the operator. Release the switch immediately if the blade sticks or the tool stalls.
- Keep the blades sharp.
- Support large panels near the cutting area.
- Do not remove the tool from the workpiece while making a cut with the blade rotating. Release the on/off switch and wait for the blade to come to a halt.

## Residual Risks

In spite of the application of the relevant safety regulations and the implementation of safety devices, certain residual risks

cannot be avoided. These are:

- Impairment of hearing.
- Risk of injury when changing the disc.
- Risk of dust inhalation from materials that when cut, can be harmful.

## Chargers

DeWALT chargers require no adjustment and are designed to be as easy as possible to operate.

## Electrical Safety

The electric motor has been designed for one voltage only. Always check that the battery pack voltage corresponds to the voltage on the rating plate. Also make sure that the voltage of your charger corresponds to that of your mains.



Your DeWALT charger is double insulated in accordance with EN60335; therefore no earth wire is required.

If the supply cord is damaged, it must be replaced only by DeWALT or an authorised service organisation.

## Mains Plug Replacement (U.K. & Ireland Only)

If a new mains plug needs to be fitted:

- Safely dispose of the old plug.
- Connect the brown lead to the live terminal in the plug.
- Connect the blue lead to the neutral terminal.



**WARNING:** No connection is to be made to the earth terminal.

Follow the fitting instructions supplied with good quality plugs. Recommended fuse: 3 A.

## Using an Extension Cable

An extension cord should not be used unless absolutely necessary. Use an approved extension cable suitable for the power input of your charger (see **Technical Data**). The minimum conductor size is 1 mm<sup>2</sup>; the maximum length is 30 m.

When using a cable reel, always unwind the cable completely.

## Important Safety Instructions for All Battery Chargers

**SAVE THESE INSTRUCTIONS:** This manual contains important safety and operating instructions for compatible battery chargers (refer to **Technical Data**).

- Before using charger, read all instructions and cautionary markings on charger, battery pack, and product using battery pack.



**WARNING:** Shock hazard. Do not allow any liquid to get inside charger. Electric shock may result.



**WARNING:** We recommend the use of a residual current device with a residual current rating of 30mA or less.



**CAUTION:** Burn hazard. To reduce the risk of injury, charge only DeWALT rechargeable batteries. Other types of batteries may burst causing personal injury and damage.



**CAUTION:** Children should be supervised to ensure that they do not play with the appliance.

**NOTICE:** Under certain conditions, with the charger plugged into the power supply, the exposed charging contacts inside the charger can be shorted by foreign material. Foreign materials of a conductive nature such as, but not limited to, steel wool, aluminum foil or any buildup of metallic particles should be kept away from charger cavities. Always unplug the charger from the power supply when there is no battery pack in the cavity. Unplug charger before attempting to clean.

- **DO NOT attempt to charge the battery pack with any chargers other than the ones in this manual.** The charger and battery pack are specifically designed to work together.
- **These chargers are not intended for any uses other than charging DEWALT rechargeable batteries.** Any other uses may result in risk of fire, electric shock or electrocution.
- **Do not expose charger to rain or snow.**
- **Pull by plug rather than cord when disconnecting charger.** This will reduce risk of damage to electric plug and cord.
- **Make sure that cord is located so that it will not be stepped on, tripped over, or otherwise subjected to damage or stress.**
- **Do not use an extension cord unless it is absolutely necessary.** Use of improper extension cord could result in risk of fire, electric shock, or electrocution.
- **Do not place any object on top of charger or place the charger on a soft surface that might block the ventilation slots and result in excessive internal heat.**  
Place the charger in a position away from any heat source. The charger is ventilated through slots in the top and the bottom of the housing.
- **Do not operate charger with damaged cord or plug—** have them replaced immediately.
- **Do not operate charger if it has received a sharp blow, been dropped, or otherwise damaged in any way.** Take it to an authorised service centre.
- **Do not disassemble charger; take it to an authorised service centre when service or repair is required.** Incorrect reassembly may result in a risk of electric shock, electrocution or fire.
- **In case of damaged power supply cord, the supply cord must be replaced immediately by the manufacturer, its service agent or similar qualified person to prevent any hazard.**
- **Disconnect the charger from the outlet before attempting any cleaning.** This will reduce the risk of electric shock.  
Removing the battery pack will not reduce this risk.
- **NEVER attempt to connect two chargers together.**
- **The charger is designed to operate on standard 230V household electrical power. Do not attempt to use it on any other voltage.** This does not apply to the vehicular charger.

## Charging a Battery (Fig. B)







1. Plug the charger into an appropriate outlet before inserting battery pack.

2. Insert the battery pack **12** into the charger, making sure the battery pack is fully seated in the charger. The red (charging) light will blink repeatedly indicating that the charging process has started.
3. The completion of charge will be indicated by the red light remaining ON continuously. The battery pack is fully charged and may be used at this time or left in the charger.  
To remove the battery pack from the charger, push the battery release button **13** on the battery pack.

**NOTE:** To ensure maximum performance and life of lithium-ion battery packs, charge the battery pack fully before first use.

## Charger Operation

Refer to the indicators below for the charge status of the battery pack.

Charge Indicators		
	Charging	
	Fully Charged	
	Hot/Cold Pack Delay*	

\*The red light will continue to blink, but a yellow indicator light will be illuminated during this operation. Once the battery pack has reached an appropriate temperature, the yellow light will turn off and the charger will resume the charging procedure.

The compatible charger(s) will not charge a faulty battery pack. The charger will indicate faulty battery by refusing to light.

**NOTE:** This could also mean a problem with a charger.

If the charger indicates a problem, take the charger and battery pack to be tested at an authorised service centre.

## Hot/Cold Pack Delay

When the charger detects a battery pack that is too hot or too cold, it automatically starts a Hot/Cold Pack Delay, suspending charging until the battery pack has reached an appropriate temperature. The charger then automatically switches to the pack charging mode. This feature ensures maximum battery pack life. A cold battery pack will charge at a slower rate than a warm battery pack. The battery pack will charge at that slower rate throughout the entire charging cycle and will not return to maximum charge rate even if the battery pack warms. The DCB118 charger is equipped with an internal fan designed to cool the battery pack. The fan will turn on automatically when the battery pack needs to be cooled. Never operate the charger if the fan does not operate properly or if ventilation slots are blocked. Do not permit foreign objects to enter the interior of the charger.

## Electronic Protection System

XR Li-Ion tools are designed with an Electronic Protection System that will protect the battery pack against overloading, overheating or deep discharge.

The tool will automatically turn off if the Electronic Protection System engages. If this occurs, place the lithium-ion battery pack on the charger until it is fully charged.

## Wall Mounting

These chargers are designed to be wall mountable or to sit upright on a table or work surface. If wall mounting, locate the charger within reach of an electrical outlet, and away from a corner or other obstructions which may impede air flow. Use the back of the charger as a template for the location of the mounting screws on the wall. Mount the charger securely using drywall screws (purchased separately) at least 25.4 mm long with a screw head diameter of 7–9 mm, screwed into wood to an optimal depth leaving approximately 5.5 mm of the screw exposed. Align the slots on the back of the charger with the exposed screws and fully engage them in the slots.

## Charger Cleaning Instructions



**WARNING: Shock hazard. Disconnect the charger from the AC outlet before cleaning.** Dirt and grease may be removed from the exterior of the charger using a cloth or soft non-metallic brush. Do not use water or any cleaning solutions. Never let any liquid get inside the tool; never immerse any part of the tool into a liquid.

## Battery Packs

### Important Safety Instructions for All Battery Packs

When ordering replacement battery packs, be sure to include catalogue number and voltage.

The battery pack is not fully charged out of the carton. Before using the battery pack and charger, read the safety instructions below. Then follow charging procedures outlined.

#### READ ALL INSTRUCTIONS

- **Do not charge or use battery in explosive atmospheres, such as in the presence of flammable liquids, gases or dust.** Inserting or removing the battery from the charger may ignite the dust or fumes.
- **Never force battery pack into charger. Do not modify battery pack in any way to fit into a non-compatible charger as battery pack may rupture causing serious personal injury.**
- Charge the battery packs only in DEWALT chargers.
- **DO NOT splash or immerse in water or other liquids.**
- **Do not store or use the tool and battery pack in locations where the temperature may fall below 4 °C (39.2 °F) (such as outside sheds or metal buildings in winter), or reach or exceed 40 °C (104 °F) (such as outside sheds or metal buildings in summer).**
- **Do not incinerate the battery pack even if it is severely damaged or is completely worn out.** The battery pack can explode in a fire. Toxic fumes and materials are created when lithium-ion battery packs are burned.
- **If battery contents come into contact with the skin, immediately wash area with mild soap and water.** If battery liquid gets into the eye, rinse water over the open eye for 15 minutes or until irritation ceases. If medical attention is needed, the battery electrolyte is composed of a mixture of liquid organic carbonates and lithium salts.

- **Contents of opened battery cells may cause respiratory irritation.** Provide fresh air. If symptoms persists, seek medical attention.



**WARNING: Burn hazard.** Battery liquid may be flammable if exposed to spark or flame.



**WARNING: Never attempt to open the battery pack for any reason.** If battery pack case is cracked or damaged, do not insert into charger. Do not crush, drop or damage battery pack. Do not use a battery pack or charger that has received a sharp blow, been dropped, run over or damaged in any way (i.e., pierced with a nail, hit with a hammer, stepped on). Electric shock or electrocution may result. Damaged battery packs should be returned to service centre for recycling.



**WARNING: Fire hazard. Do not store or carry the battery pack so that metal objects can contact exposed battery terminals.** For example, do not place the battery pack in aprons, pockets, tool boxes, product kit boxes, drawers, etc., with loose nails, screws, keys, etc.



**CAUTION: When not in use, place tool on its side on a stable surface where it will not cause a tripping or falling hazard.** Some tools with large battery packs will stand upright on the battery pack but may be easily knocked over.

## Transportation



**WARNING: Fire hazard.** Transporting batteries can possibly cause fire if the battery terminals inadvertently come in contact with conductive materials. When transporting batteries, make sure that the battery terminals are protected and well insulated from materials that could contact them and cause a short circuit. **NOTE:** Lithium-ion batteries should not be put in checked baggage.

DEWALT batteries comply with all applicable shipping regulations as prescribed by industry and legal standards which include UN Recommendations on the Transport of Dangerous Goods; International Air Transport Association (IATA) Dangerous Goods Regulations, International Maritime Dangerous Goods (IMDG) Regulations, and the European Agreement Concerning The International Carriage of Dangerous Goods by Road (ADR). Lithium-ion cells and batteries have been tested to section 38.3 of the UN Recommendations on the Transport of Dangerous Goods Manual of Tests and Criteria.

In most instances, shipping a DEWALT battery pack will be excepted from being classified as a fully regulated Class 9 Hazardous Material. In general, only shipments containing a lithium-ion battery with an energy rating greater than 100 Watt Hours (Wh) will require being shipped as fully regulated Class 9. All lithium-ion batteries have the Watt Hour rating marked on the pack. Furthermore, due to regulation complexities, DEWALT does not recommend air shipping lithium-ion battery packs alone regardless of Watt Hour rating. Shipments of tools with batteries (combo kits) can be air shipped as excepted if the Watt Hour rating of the battery pack is no greater than 100 Wh. Regardless of whether a shipment is considered excepted or fully regulated, it is the shipper's responsibility to consult

the latest regulations for packaging, labeling/markings and documentation requirements.

The information provided in this section of the manual is provided in good faith and believed to be accurate at the time the document was created. However, no warranty, expressed or implied, is given. It is the buyer's responsibility to ensure that its activities comply with the applicable regulations.

### Storage Recommendations

1. The best storage place is one that is cool and dry away from direct sunlight and excess heat or cold. For optimum battery performance and life, store battery packs at room temperature when not in use.
2. For long storage, it is recommended to store a fully charged battery pack in a cool, dry place out of the charger for optimal results.

**NOTE:** Battery packs should not be stored completely depleted of charge. The battery pack will need to be recharged before use.

### Labels on Charger and Battery Pack

In addition to the pictographs used in this manual, the labels on the charger and the battery pack may show the following pictographs:



Read instruction manual before use.



See **Technical Data** for charging time.



Do not probe with conductive objects.



Do not charge damaged battery packs.



Do not expose to water.



Have defective cords replaced immediately



Charge only between 4 °C and 40 °C.



Only for indoor use.



Discard the battery pack with due care for the environment.



Charge battery packs only with designated DEWALT chargers. Charging battery packs other than the designated DEWALT batteries with a DEWALT charger may make them burst or lead to other dangerous situations.



Do not incinerate the battery pack.

### Battery Type

The following tools operate on a 18 volt battery pack: DCW692  
These battery packs may be used: DCB181, DCB182, DCB183, DCB183B, DCB183G, DCB184, DCB184B, DCB184G, DCB185, DCB187, DCB189, DCBP034. . Refer to **Technical Data** for more information.

### Package Contents

The package contains:

- 1 Biscuit jointer
- 1 Dust bag
- 2 Dust adapters
- 1 Pin spanner
- 1 T20 Torx Key
- 1 Li-Ion battery pack (C1, D1, G1, L1, M1, P1, S1, T1, X1, Y1 models)
- 2 Li-Ion battery packs (C2, D2, G2, L2, M2, P2, S2, T2, X2, Y2 models)
- 3 Li-Ion battery packs (C3, D3, G3, L3, M3, P3, S3, T3, X3, Y3 models)
- 1 Instruction manual

**NOTE:** Battery packs, chargers and kitboxes are not included with N models. Battery packs and chargers are not included with NT models. B models include Bluetooth® battery packs.

**NOTE:** The Bluetooth® word mark and logos are registered trademarks owned by the Bluetooth®, SIG, Inc. and any use of such marks by DEWALT is under license. Other trademarks and trade names are those of their respective owners.

- Check for damage to the tool, parts or accessories which may have occurred during transport.
- Take the time to thoroughly read and understand this manual prior to operation.

### Markings on Tool

The following pictographs are shown on the tool:



Read instruction manual before use.



Wear ear protection.



Wear eye protection



Blade diameter

### Date Code Position (Fig. B)

The date code **20**, which also includes the year of manufacture, is printed into the housing.

Example:

2020 XX XX

Year and Week of Manufacture

## Description (Fig. A)



**WARNING:** Never modify the power tool or any part of it.  
Damage or personal injury could result.

- 1 Paddle switch
- 2 Lock-off switch
- 3 Auxiliary handle
- 4 Fence height adjuster
- 5 Dust extraction outlet
- 6 Adjustable fence
- 7 Anti-slipping pins
- 8 Plunge depth adjusting knob
- 9 Fence height locking knob
- 10 Spindle lock
- 11 Adjustable fence locking knob
- 12 Battery
- 13 Battery release

### Intended Use

Your biscuit jointer has been designed for making flat dowel joints in wood and wood products.

**DO NOT** use under wet conditions or in the presence of flammable liquids or gases.

The biscuit jointer is a professional power tool.

**DO NOT** let children come into contact with the tool.

Supervision is required when inexperienced operators use this tool.

- **Young children and the infirm.** This appliance is not intended for use by young children or infirm persons without supervision.
- This product is not intended for use by persons (including children) suffering from diminished physical, sensory or mental abilities; lack of experience, knowledge or skills unless they are supervised by a person responsible for their safety. Children should never be left alone with this product.

## ASSEMBLY AND ADJUSTMENTS



**WARNING:** To reduce the risk of serious personal injury, turn tool off and disconnect battery pack before making any adjustments or removing/installing attachments or accessories. An accidental start-up can cause injury.



**WARNING:** Use only DEWALT battery packs and chargers.

## Inserting and Removing the Battery Pack from the Tool (Fig. J)

**NOTE:** Make sure your battery pack **12** is fully charged.

### To Install the Battery Pack into the Tool Handle

1. Align the battery pack with the rails inside the tool's handle (Fig. J).
2. Slide it into the handle until the battery pack is firmly seated in the tool and ensure that you hear the lock snap into place.

### To Remove the Battery Pack from the Tool

1. Press the battery release button **13** and firmly pull the battery pack out of the tool handle.
2. Insert battery pack into the charger as described in the charger section of this manual.

### Fuel Gauge Battery Packs (Fig. B)

Some DEWALT battery packs include a fuel gauge which consists of three green LED lights that indicate the level of charge remaining in the battery pack.

To actuate the fuel gauge, press and hold the fuel gauge button **14**. A combination of the three green LED lights will illuminate designating the level of charge left. When the level of charge in the battery is below the usable limit, the fuel gauge will not illuminate and the battery will need to be recharged.

**NOTE:** The fuel gauge is only an indication of the charge left on the battery pack. It does not indicate tool functionality and is subject to variation based on product components, temperature and end-user application.

## Adjustable Fence (Fig. D1, D2)

The adjustable fence **6** allows you to precisely set the point where the slots for the biscuits are cut. To set the fence height:

1. Slacken the fence height locking knob **9**.
2. Set the height adjuster **4** as required. With the fence set to 90°, the scale under the locking knob reads the distance between the centre of cutter and the surface of the fence.
3. Tighten the locking knob.

### To Set the Fence Angle

1. Slacken the adjustable fence locking knob **11**.
2. Tilt the fence into the required angle.
3. Tighten the adjustable fence locking knob.

The fine adjustment is used to eliminate possible tolerances in the size of the biscuit slots.

### Jointer Base Markings

When working without the fence, for example when making T-joints, you can use the grooves on the jointer base for proper alignment of the tool.

1. Set the fence to the 0° position as described above.
2. For workpieces with a thickness of 19 mm, use the edge of the base as a reference for centring.
3. For other workpieces, use the red centreline marking to align the tool.
4. Two of the grooves indicate the length of the cut. In order to prevent breaking through the workpiece, make sure that the workpiece extends beyond these grooves.

## Plunge Depth Adjustment (Fig. E)

The plunge depth must be set to match the biscuit size. The numbers 0, 10 and 20 on the depth adjusting knob correspond with the biscuit size. The M represents the maximum cutting depth of approx. 20 mm.

**NOTE:** The maximum cutting depth of 20 mm is obtainable



only with a new blade and by backing out the fine adjustment screw (refer to **Plunge Depth Fine Adjustment**).

- Turn the depth adjusting knob **8** into the required position, aligning the appropriate number with the red arrow on the tool.

### Plunge Depth Fine Adjustment (Fig. F)

The fine adjustment is used to eliminate possible tolerances in the size of the biscuit slots.

1. Raise the fence **6** to its uppermost position as described above.
2. Insert the T20 Torx key as shown and adjust the plunge depth as required by turning the screw **23** (turn clockwise to decrease the plunge depth). Each full turn causes a change in depth of 1 mm.
3. Check the setting by making a trial cut in a piece of scrap wood.

### Anti-Slipping Pins (Fig. G)

The anti-slipping pins **7** help to reduce the tendency of the biscuit jointer to slide to the left when cutting. When working on visible parts of the workpiece, you may want to retract them in order to avoid scratching.

1. To retract the pins, rotate them slightly clockwise using a flat screwdriver.
2. To use the pins again, rotate them slightly counterclockwise.

### Replacing the Blade (Fig. H, I, J)



#### WARNING:

- Make sure that the teeth of the cutter point in counterclockwise direction as shown (Fig. I).
  - After replacing the blade, always check the cutting depth and adjust if necessary.
  - Do not use blades of larger or smaller diameter than recommended. For the proper blade rating refer to the technical data.
  - Use only blades specified in this manual complying with EN847-1.
1. Loosen the four T20 Torx headed screws **15** from the base plate and take off the cover.
  2. Depress the spindle lock **10** and remove the flange by turning it counterclockwise.
  3. Replace the blade making sure the teeth of the cutter point in a counterclockwise direction.
  4. Tighten the flange securely by turning it clockwise while keeping the spindle lock depressed.
  5. Mount the cover plate and tighten the hex screws.



### Dust Extraction (Fig. J1, J2)

Using the appropriate adapter, you can connect either a dustbag or a dust extractor.

### Dust Extractor

1. Insert the appropriate adapter **16** or **17** into the dust extraction outlet **5**.
2. Connect the dust extractor hose to the adapter.

### Dustbag

1. Insert the straight adapter **16** into the dust extraction outlet **5**.
2. Attach the dustbag **15** to the adapter.
3. Whenever possible, connect a dust extraction device designed in accordance with the relevant regulations regarding dust emission.

### Attaching an AirLock™ Compatible Dust Extractor (Fig. K3)



**WARNING:** When using dust extraction, empty vacuum before work begins and often during work. Use care in disposing of dust. Dust can be hazardous to health if inhaled, ingested or in contact with the skin. Materials in fine dust can be explosive.

Your tool is compatible with the DEWALT AirLock™ connection system. The AirLock™ allows for a fast, secure connection between the AirLock™ connector **21** and the straight adapter **16**.

1. Remove the battery.
2. Ensure the collar on the AirLock™ connector is in the unlock position. (Refer to Figure K3.) Align notches **22** on collar and AirLock™ connector as shown for unlock and lock positions.
3. Push the AirLock™ connector onto the adapter connector point.
4. Rotate the collar to the locked position.

**NOTE:** The ball bearings inside collar lock into slot and secure the connection. The power tool is now securely connected to the dust extractor.

**NOTE:** The sleeve of the dust extraction port can be removed if damaged and replaced by the user. The sleeve is available as an optional accessory and can be replaced using a screwdriver.

## OPERATION

### Instructions for Use



**WARNING:** Always observe the safety instructions and applicable regulations.



**WARNING:** To reduce the risk of serious personal injury, turn tool off and disconnect battery pack before making any adjustments or removing/installing attachments or accessories. An accidental start-up can cause injury.

### Proper Hand Position (Fig. D2)



**WARNING:** To reduce the risk of serious personal injury, ALWAYS use proper hand position as shown.



**WARNING:** To reduce the risk of serious personal injury, ALWAYS hold securely in anticipation of a sudden reaction.

Proper hand position requires one hand on the auxiliary handle **3**, with the other hand on the main grip **18**.

## Paddle Switch (Fig. C)



**CAUTION:** Hold the auxiliary handle and body of the tool firmly to maintain control of the tool at start up and during use and until the blade stops rotating. Make sure the blade has come to a complete stop before laying the tool down.

**NOTE:** To reduce unexpected tool movement, do not switch the tool on or off while under load conditions. Allow the biscuit jointer to run up to full speed before touching the work surface. Lift the tool from the surface before turning the tool off. Allow the tool to stop rotating before putting it down.

1. To turn the tool on, push the lock-off lever **2** toward the back of the tool, then depress the paddle switch **1**. The tool will run while the switch is depressed.
2. Turn the tool off by releasing the paddle switch.

## No-Volt

The No-volt function stops the biscuit jointer from restarting without the switch being cycled if there is a break in the power supply.

## Making Biscuit Joints (Fig. L–O)



**WARNING:** Always make a trial cut in a piece of scrap wood to check the plunge depth. If necessary, perform a fine adjustment as described in **Assembly & Adjustments**.

Various techniques can be used to make strong and accurate biscuit joints. In this manual, the most important techniques will be discussed in more detail (Fig. L).

### Selecting the Biscuit Size (Fig. M)

The three biscuit sizes are #0, #10 and #20. Normally, you should use the largest biscuit that will fit in the workpiece.

After selecting the size of biscuit to be used, adjust the plunge depth accordingly as described under **Plunge Depth Adjustment**.

### Locating the Biscuits (Fig. N1–N4)

For edge joints, biscuits should normally be located at 15–25 cm intervals. The outer biscuits should be located 5–7.5 cm from the ends of the workpiece (Fig. N1).

When joining narrow workpieces such as picture frames, even the smallest biscuits may be too large for the joint. In this case, the exposed tip of the biscuit should be trimmed off after the joint has been glued (Fig. N2).

When joining workpieces thicker than approx. 2.5 cm, pairs of biscuits may be used for additional strength (Fig. N3).

To mark mating pieces, first position them as they will be assembled. Use a set square to draw the marking line across the pieces (Fig. N4).

### Cutting Biscuit Slots (Fig. O)

1. Adjust the tool settings as described above.
2. Align the centre marking on the tool base with the marking line as shown.

3. Switch the tool on and wait a second for the cutter attain full speed.
4. Firmly push the fence against the workpiece and plunge the cutter until the stop is reached.
5. Allow the tool to retract the blade from the workpiece.
6. Turn the tool off.

## Assembling the Workpieces

1. Try assembling the workpieces together to check that the joints fit correctly.
2. Evenly spread a suitable glue in the biscuit slots and on the mating surfaces of the joint.
3. Insert the biscuits into the slots, ensuring that they come into contact with the glue.
4. Assemble the workpieces and clamp them until the glue has dried.

## Edge to Edge Joints (Fig. P1, P2)

1. Place the workpieces on a flat surface as they are to be assembled.
2. Mark the biscuit centres. The biscuits should be located at 15–25 cm intervals; the outer biscuits should be located 5–7.5 cm from the ends of the workpiece (Fig. P1).
3. Set the fence to 90°.
4. Set the height adjuster to position the biscuit in the centre of the workpiece.
5. Adjust the other tool settings as described above.
6. Cut the biscuit slots as described above (Fig. P2).

## Frame Joints (Fig. Q1–Q3)

1. Place the workpieces on a flat surface as they are to be assembled (Fig. Q1, Q2).
2. Select the appropriate biscuit size.
3. Mark the biscuit centres.
4. Adjust the tool settings as described above.
5. Cut the biscuit slots as described above (Fig. Q3).

## Corner Joints (Fig. R1, R2)

1. Arrange the workpieces as they are to be assembled (Fig. R1).
2. Select the appropriate biscuit size.
3. Mark the biscuit centres.
4. For the face cut, clamp the workpiece and align the tool as shown (Fig. R2)
5. Cut the biscuit slots as described above.

## Offset Joints (Fig. S)

When joining two workpieces of different thickness, proceed as follows:

1. Arrange the workpieces as they are to be assembled.
2. Select the appropriate biscuit size.
3. Mark the biscuit centres.
4. Select the workpiece that will be set back.

- Set the height adjuster to position the biscuit in the centre of the workpiece.
- Cut the biscuit slots as described above.
- Adjust the fence up by a distance equal to the desired offset. Use the scale to read the setting.
- Cut the biscuit slots as described above.

## Edge Mitre Joints (Fig. T1–T4)

### Outside surfaces aligned

- Arrange the workpieces as they are to be assembled.
- Mark the biscuit centres on the outside of the joint.
- Set the fence angle to 90 °.
- Adjust the fence to locate the biscuit toward the inside of the joint where the workpiece is thicker. Select the appropriate biscuit size (Fig. T2).
- Clamp the workpiece and align the tool as shown (Fig. T3).
- Cut the biscuit slots as described above.

### Inside Surfaces Aligned

- Arrange the workpieces as they are to be assembled.
- Mark the biscuit centres on the inside of the joint.
- Set the fence angle to 45 °.
- Adjust the fence to locate the biscuit toward the inside of the joint where the workpiece is thicker. Select the appropriate biscuit size.
- Clamp the workpiece and align the tool as shown (Fig. T4).
- Cut the biscuit slots as described above.

## T-Joints (Fig. U1–U5)

This type of joints is commonly used to attach shelves to side panels (Fig. U1).

- Place the workpieces on a flat surface as they are to be assembled (as an upside down T).
- Mark the biscuit centres on the shelf piece.
- Lightly mark the top of the shelf on the side panel (Fig. U2).
- Clamp the fence on top of the side panel, aligning the end of the shelf with the line (Fig. U3).
- Select the appropriate biscuit size.
- Set the fence to 0 °.
- Align the tool with the biscuit marks using the markings on the tool base.
- Make a vertical (Fig. U4) and a horizontal (Fig. U5) cut at each of the biscuit locations.

## MAINTENANCE

Your power tool has been designed to operate over a long period of time with a minimum of maintenance. Continuous satisfactory operation depends upon proper tool care and regular cleaning.



**WARNING:** To reduce the risk of serious personal injury, turn tool off and disconnect battery pack before making any adjustments or removing/

**installing attachments or accessories.** An accidental start-up can cause injury.

The charger and battery pack are not serviceable.



### Lubrication

Your power tool requires no additional lubrication.



### Cleaning



**WARNING:** Blow dirt and dust out of the main housing with dry air as often as dirt is seen collecting in and around the air vents. Wear approved eye protection and approved dust mask when performing this procedure.



**WARNING:** Never use solvents or other harsh chemicals for cleaning the non-metallic parts of the tool. These chemicals may weaken the materials used in these parts. Use a cloth dampened only with water and mild soap. Never let any liquid get inside the tool; never immerse any part of the tool into a liquid.

## Optional Accessories



**WARNING:** Since accessories, other than those offered by DEWALT, have not been tested with this product, use of such accessories with this tool could be hazardous. To reduce the risk of injury, only DEWALT recommended accessories should be used with this product.

Consult your dealer for further information on the appropriate accessories.

## Protecting the Environment



Separate collection. Products and batteries marked with this symbol must not be disposed of with normal household waste.



Products and batteries contain materials that can be recovered or recycled reducing the demand for raw materials. Please recycle electrical products and batteries according to local provisions. Further information is available at [www.2helpU.com](http://www.2helpU.com).

## Rechargeable Battery Pack

This long life battery pack must be recharged when it fails to produce sufficient power on jobs which were easily done before. At the end of its technical life, discard it with due care for our environment:

- Run the battery pack down completely, then remove it from the tool.
- Li-Ion cells are recyclable. Take them to your dealer or a local recycling station. The collected battery packs will be recycled or disposed of properly.

## ЛАМЕЛЬНЫЙ ФРЕЗЕР

## DCW692

## Поздравляем!

Вы приобрели инструмент DeWALT. Многолетний опыт, тщательная разработка изделий и инновации делают компанию DeWALT одним из самых надёжных партнеров для пользователей профессионального электроинструмента.

## Технические характеристики

		DCW692
Напряжение	V <sub>пост. тока</sub>	18
Тип		1
Тип батареи		Ионно-литиевая
Макс. выходная мощность	Вт	900
Скорость без нагрузки	об/мин.	8000
Макс. глубина реза	мм	20
Настройка глубины погружения	мм	8/10/12 (для ламелей 0/10/20)
Диаметр фрезы	мм	102
Ширина фрезы	мм	4
Вес	кг	2,5

Значения шума и вибрации (сумма векторов в трех плоскостях) в соответствии с EN60745-2-19:

L <sub>PA</sub> (уровень звукового давления)	дБ(А)	84
L <sub>WA</sub> (уровень акустической мощности)	дБ(А)	95
K (погрешность для заданного уровня мощности)	дБ(А)	3
Основная рукоятка		
Значения вибрационного воздействия	м/с <sup>2</sup>	1,5
a <sub>h</sub>		
Погрешность K	м/с <sup>2</sup>	1,5

Значение шумовой эмиссии и/или эмиссии вибрации, указанное в данном справочном листке, было получено в соответствии со стандартным тестом, приведенным в EN62841, и может использоваться для сравнения инструментов. Кроме того, оно может использоваться для предварительной оценки воздействия вибрации.

**⚠ ОСТОРОЖНО!** Заявленное значение шумовой эмиссии и/или эмиссии вибрации относится к основным областям применения инструмента. Однако, если инструмент используется для различных целей, с различными дополнительными принадлежностями или при ненадлежащем уходе, то уровень шума и/или вибрации может измениться. Это может привести к значительному увеличению уровня воздействия вибрации в течение всего рабочего периода.

При расчете приблизительного значения уровня воздействия шума и/или вибрации также

необходимо учитывать время, когда инструмент выключен или то время, когда он работает на холостом ходу. Это может привести к значительному снижению уровня воздействия вибрации в течение всего рабочего периода.

Определите дополнительные меры техники безопасности для защиты оператора от воздействия шума и/или вибрации, а именно: поддержание инструмента и дополнительных принадлежностей в рабочем состоянии, создание комфортных условий работы (соответствующих вибрации), хорошая организация рабочего места.

## Декларация о соответствии нормам ЕС Директива по механическому оборудованию



### Ламельный фрезер DCW692

DeWALT заявляет, что продукция, описанная в разделе «Технические характеристики», соответствует: 2006/42/ЕС, EN60745-1:2009+A11:2010, EN60745-2-19:2009+A1:2010.

Эти продукты также соответствуют Директивам 2014/30/EU и 2011/65/EU. За дополнительной информацией обращайтесь в компанию DeWALT по адресу, указанному ниже или приведенному на задней стороне обложки руководства.

Нижеподписавшийся несет ответственность за составление технической документации и составил данную декларацию по поручению компании DeWALT.

Маркус Ромпель (Markus Rompel)

Вице-президент отдела по разработке и производству,  
PTE-Europe  
DeWALT, Richard-Klinger-Straße 11,  
65510, Idstein, Germany  
15.02.2022



**ВНИМАНИЕ:** Во избежание риска получения травм ознакомьтесь с инструкцией.

## Обозначения: правила техники безопасности

Ниже описывается уровень опасности, обозначаемый каждым из предупреждений. Прочитайте руководство и обратите внимание на данные символы.



**ОПАСНО:** Обозначает опасную ситуацию, которая неизбежно приведет к серьезной травме или

Батареи				Зарядные устройства/время зарядки (мин)***									
Кат. №	V <sub>пост. тока</sub>	Ah	Вес (kg)	DCB104	DCB107	DCB112/ DCB1102	DCB113	DCB115/ DCB1104	DCB116	DCB117	DCB118	DCB132	DCB119
DCB181	18	1.5	0.35	22	70	45	35	22	22	22	22	22	45
DCB182	18	4.0	0.61	60/40**	185	120	100	60	60/45**	60/40**	60/40**	60	120
DCB183/B/G	18	2.0	0.40	30	90	60	50	30	30	30	30	30	60
DCB184/B/G	18	5.0	0.62	75/50**	240	150	120	75	75/60**	75/50**	75/50**	75	150
DCB185	18	1.3	0.35	22	60	40	30	22	22	22	22	22	40
DCB187	18	3.0	0.54	45	140	90	70	45	45	45	45	45	90
DCB189	18	4.0	0.54	60	185	120	100	60	60	60	60	60	120
DCBP034	18	1.7	0.32	27	82	50	40	27	27	27	27	27	50
DCBP518	18	5.0	0.75	75	240	150	120	75	75	75	75	75	150

\*Код даты 201811475В или новее

\*\*Код даты 201536 или новее

\*\*\*Battery charge times matrix provided for guidance only; charge times will vary depending on temperature and condition of batteries.

смертельному исходу, в случае несоблюдения соответствующих мер безопасности.



**ВНИМАНИЕ:** Указывает на потенциально опасную ситуацию, которая, в случае несоблюдения соответствующих мер безопасности, может привести к **серьезной травме или смертельному исходу**.



**ПРЕДУПРЕЖДЕНИЕ:** Указывает на потенциально опасную ситуацию, которая, в случае несоблюдения соответствующих мер безопасности **может** стать причиной травм **средней или легкой степени тяжести**.

**ПОЯСНЕНИЕ:** Указывает на практики, использование которых не связано с получением травмы, но если ими пренебречь, могут привести к **порче имущества**.



Указывает на риск поражения электрическим током.



Указывает на риск возгорания.

## ОБЩИЕ ПРАВИЛА ТЕХНИКИ БЕЗОПАСНОСТИ ПРИ ИСПОЛЬЗОВАНИИ ЭЛЕКТРОИНСТРУМЕНТОВ



**ВНИМАНИЕ:** Прочитайте и просмотрите все предупреждения, инструкции, иллюстрации и спецификации по данному электроинструменту. Несоблюдение всех приведенных ниже инструкций может стать причиной поражения электрическим током, возгорания и/или тяжелой травмы.

### СОХРАНИТЕ ВСЕ ИНСТРУКЦИИ ДЛЯ ПОСЛЕДУЮЩЕГО ИСПОЛЬЗОВАНИЯ

Термин «электроинструмент» в предупреждениях относится к работающим от сети (проводным) электроинструментам или работающим от аккумуляторной батареи (беспроводным) электроинструментам.

## 1) Безопасность на рабочем месте

- Следите за чистой и хорошим освещением на рабочем месте.** Захламленное или плохо освещенное рабочее место может стать причиной несчастного случая.
- Запрещается работать с электроинструментами во взрывоопасных местах, например, вблизи легковоспламеняющихся жидкостей, газов и пыли.** Искры, которые появляются при работе электроинструментов могут привести к воспламенению пыли или паров.
- Следите за тем, чтобы во время работы с электроинструментом в зоне работы не было посторонних и детей.** Отвлекаясь от работы вы можете потерять контроль над инструментом.

## 2) Электробезопасность

- Штепсельная вилка электроинструмента должна соответствовать розетке. Никогда не меняйте вилку инструмента. Запрещается использовать переходники к вилкам для электроинструментов с заземлением.** Использование оригинальных штепсельных вилок, соответствующих типу сетевой розетки снижает риск поражения электрическим током.
- Избегайте контакта с заземленными поверхностями, такими как трубы, радиаторы и холодильники.** Если вы будете заземлены, увеличивается риск поражения электрическим током.
- Запрещается оставлять электроинструмент под дождем и в местах повышенной влажности.** При попадании воды в электроинструмент риск поражения электротоком возрастает.
- Берегите кабель от повреждений. Никогда не используйте кабель для переноски инструмента, не тяните за него, пытайтесь отключить инструмент от сети. Держите**

**кабель подальше от источников тепла, масла, острых углов или движущихся предметов.**

Поврежденный или запутанный кабель питания повышает риск поражения электрическим током.

- e) **При работе с электроинструментом на открытом воздухе используйте удлинитель, подходящий для использования на улице.**  
Использование кабеля питания, предназначенного для использования вне помещения, снижает риск поражения электрическим током.
- f) **Если использование электроинструмента в условиях повышенной влажности неизбежно, используйте устройства защитного отключения (УЗО) для защиты сети.**  
Использование УЗО сокращает риск поражения электрическим током.

### 3) Обеспечение индивидуальной безопасности

- a) **Будьте внимательны, смотрите, что делаете и не забывайте о здравом смысле при работе с электроинструментом. Запрещается работать с электроинструментом в состоянии усталости, наркотического, алкогольного опьянения или под воздействием лекарственных препаратов.** Невнимательность при работе с электроинструментом может привести к серьезным телесным повреждениям.
- b) **Используйте индивидуальные средства защиты. Всегда используйте защитные очки.** Средства защиты, такие как пылезащитная маска, обувь с нескользящей подошвой, каска и защитные наушники, используемые при работе, уменьшают риск получения травм.
- c) **Примите меры для предотвращения случайного включения. Перед тем как подключить электроинструмент к сети и/или аккумуляторной батарее, взять инструмент или перенести его на другое место, убедитесь в том, что выключатель находится в положении «Выкл.».** Если при переноске электроинструмента он подключен к сети, и при этом ваш палец находится на выключателе, это может стать причиной несчастных случаев.
- d) **Уберите все регулировочные или гаечные ключи перед включением электроинструмента.** Ключ, оставленный на вращающейся части электроинструмента, может привести к травме.
- e) **Не пытайтесь дотянуться до слишком удаленных поверхностей. Обувь должна быть удобной, чтобы вы всегда могли сохранять равновесие.** Это позволит лучше контролировать электроинструмент в непредвиденных ситуациях.
- f) **Издавайте соответствующим образом. Избегайте носить свободную одежду и ювелирные украшения. Следите за тем, чтобы волосы и одежда не попадали под движущиеся детали.** Возможно наматывание

свободной одежды, ювелирных изделий и длинных волос на движущиеся детали.

- g) **При наличии устройств для подключения оборудования для удаления и сбора пыли необходимо обеспечить правильность их подключения и эксплуатации.** Использование устройства для пылеудаления сокращает риски, связанные с пылью.
- h) **Не позволяйте хорошему знанию от частого использования инструментов стать причиной самонадеянности и игнорирования правил техники безопасности.** Небрежное действие может повлечь серьезные травмы за долю секунды.

### 4) Эксплуатация электроинструмента и уход за ним

- a) **Избегайте чрезмерной нагрузки электроинструмента. Используйте электроинструмент в соответствии с назначением.** Правильно подобранный электроинструмент выполнит работу более эффективно и безопасно при стандартной нагрузке.
- b) **Не пользуйтесь инструментом, если не работает выключатель. Любой инструмент, управлять выключением и включением которого невозможно, опасен, и его необходимо отремонтировать.**
- c) **Перед выполнением любых настроек, сменой аксессуаров или прежде чем убрать инструмент на хранение, отключите его от сети и/или снимите с него аккумуляторную батарею, если ее можно снять.** Такие превентивные меры безопасности сокращают риск случайного включения электроинструмента.
- d) **Храните электроинструмент в недоступном для детей месте и не позволяйте работать с инструментом людям, не имеющим соответствующих навыков работы с такого рода инструментами.** Электроинструмент представляет опасность в руках неопытных пользователей.
- e) **Поддерживайте электроинструмент и принадлежности в исправном состоянии. Проверьте, не нарушена ли центровка или не заклинены ли движущиеся детали, нет ли повреждений или иных неисправностей, которые могли бы повлиять на работу электроинструмента. В случае обнаружения повреждений, прежде чем приступить к эксплуатации электроинструмента, его нужно отремонтировать.** Большинство несчастных случаев происходит из-за электроинструментов, которые не обслуживаются должным образом.
- f) **Содержите режущий инструмент в остро заточенном и чистом состоянии.** Вероятность заклинивания инструмента, за которым следят

должным образом и который хорошо заточен, значительно меньше, а работать с ним легче.

- g) **Используйте электроинструменты, принадлежности и насадки в соответствии с данными инструкциями, принимая во внимание условия работы и характер выполняемой работы.** Использование электроинструмента для выполнения операций, для которых он не предназначен, может привести к созданию опасных ситуаций.
- h) **Все рукоятки и поверхности захватывания должны быть сухими и без следов смазки.** Скользкие рукоятки и поверхности захватывания не позволяют обеспечить безопасность работы и управления инструментом в непредвиденных ситуациях.

## 5) Использование аккумуляторных электроинструментов и уход за ними

- a) **Используйте для зарядки аккумуляторной батареи только указанное производителем зарядное устройство.** Использование зарядного устройства определенного типа для зарядки других батарей может привести к возгоранию.
- b) **Используйте для электроинструмента только батареи указанного типа.** Использование других аккумуляторных батарей может стать причиной травмы и пожара.
- c) **Оберегайте батарею от попадания в нее скрепок, монет, ключей, гвоздей, болтов или других мелких металлических предметов, которые могут вызывать замыкание контактов.** Короткое замыкание контактов аккумуляторной батареи может привести к пожару или получению ожогов.
- d) **При повреждении батареи, из нее может вытечь электролит. Не прикасайтесь к нему. При случайном контакте с электролитом смойте его водой. При попадании электролита в глаза обратитесь за медицинской помощью.** Жидкость, находящаяся внутри батареи, может вызвать раздражение или ожоги.
- e) **Не используйте поврежденные или измененные аккумуляторные батареи или инструменты.** Поврежденные или измененные аккумуляторные батареи могут работать непредсказуемо, что может привести к возгоранию, взрыву или риску получения травм.
- f) **Не подвергайте аккумуляторные батареи или инструмент воздействию огня или повышенной температуры.** Открытый огонь или воздействие высокой температуры выше 130 °C может привести к взрыву.
- g) **Следуйте всем инструкциям по зарядке и не заряжайте аккумуляторную батарею или инструмент вне температурного диапазона, указанного в инструкции.** Неправильная зарядка или зарядка вне указанного температурного

диапазона может привести к повреждению батареи и увеличить риск возгорания.

## 6) Обслуживание

- a) **Обслуживание электроинструмента должен проводить квалифицированный специалист с использованием только оригинальных запасных частей.** Это позволит обеспечить безопасность обслуживаемого электрифицированного инструмента.
- b) **Не выполняйте обслуживание поврежденных аккумуляторных батарей.** Обслуживание аккумуляторных батарей должно выполняться только производителем или авторизованными поставщиками услуг.

## Дополнительные специальные правила техники безопасности для ламельных фрезеров

- **Фрезы должны быть предназначены для работы на скорости, рекомендованной на предупредительной наклейке инструмента.** Фрезы при вращении на скорости, превышающей их номинальную скорость, могут сорваться с крепления и стать причиной получения травмы.
- **Всегда используйте защитный кожух.** Кожух защитит оператора от сломанных частиц фрезы и предотвратит случайный контакт с фрезой.
- **Держите инструмент за изолированные ручки при выполнении операций, во время которых режущая насадка может соприкоснуться со скрытой проводкой.** Контакт режущей насадки с находящимся под напряжением проводом делает не покрытые изоляцией металлические части электроинструмента также «живыми», что создает опасность поражения оператора электрическим током.
- **МАКСИМАЛЬНЫЙ диаметр фрезы не должен превышать 102 мм.**
- **НЕ ИСПОЛЬЗУЙТЕ** тупые или поврежденные фрезы.
- **Перед использованием инструмента убедитесь, что втягивающий механизм защитного кожуха функционирует правильно.**
- **Надевайте респиратор.** Вдыхание производственной пыли может стать причиной затрудненного дыхания и возможной травмы.
- **Перед подключением инструмента к источнику питания убедитесь, что пусковой выключатель находится в положении «выкл.».**
- **Не выключайте инструмент до полной остановки фрезы.**
- **Перед началом работы удалите из обрабатываемой заготовки все гвозди и другие металлические предметы.**
- **После выключения инструмента никогда не пытайтесь самостоятельно остановить фрезу, прижимая ее кромку.**

- Данный инструмент предназначен только для резки древесины или пластика.
- Убедитесь, что все защитные устройства фрезы функционируют.
- Кладите инструмент на рабочий стол или верстак только в выключенном состоянии.
- Используйте только фрезы, соответствующие стандартам, которые указаны в данном руководстве.
- Не используйте фрезы из высоколегированной и быстрорежущей инструментальной стали. Для достижения наилучшего результата используйте фрезы с твердосплавными напайками или фрезы CrV.
- Следует использовать только острые фрезы в отличном рабочем состоянии; треснувшие или погнутые фрезы необходимо немедленно выбросить и заменить.
- Убедитесь, что фреза надежно закреплена на месте и вращается в правильном направлении.
- В результате внезапного останова инструмента может образоваться обратный удар, отбросив инструмент в сторону оператора. В случае останова инструмента или заклинивания фрезы немедленно отпустите пусковой выключатель.
- Следите за острой заточкой фрез.
- Поддерживайте большие заготовки вблизи от обрабатываемого участка.
- Не поднимайте инструмент с заготовки во время работы, когда фреза находится в движении. Отпустите пусковой выключатель и дождитесь полной остановки фрезы.

## Остаточные риски

Несмотря на соблюдение соответствующих инструкций по технике безопасности и использование предохранительных устройств, некоторые остаточные риски невозможно полностью исключить. А именно:

- Ухудшение слуха.
- Риск получения травмы пальцев при смене диска.
- Риск вдыхания пыли от обрабатываемого материала, что может нанести вред здоровью.

## Зарядные устройства

Зарядные устройства не требуют регулировки и максимально просты в использовании.

### Электробезопасность

Электродвигатель рассчитан на работу только при одном напряжении сети. Необходимо обязательно убедиться в том, что напряжение источника питания соответствует указанному на шильдике устройства. Необходимо также убедиться в том, что напряжение работы зарядного устройства соответствует напряжению в сети.



Зарядное устройство оснащено двойной изоляцией в соответствии с требованиями EN60335; поэтому провод заземления не требуется.

В случае повреждения кабеля питания его необходимо заменить специально подготовленным кабелем, который можно приобрести в сервисных центрах.

### Использование удлинителя кабеля

Используйте удлинитель только в случаях крайней необходимости. Используйте только утвержденные удлинители промышленного изготовления, рассчитанные на мощность не меньшую, чем потребляемая мощность зарядного устройства (см. **Технические характеристики**). Минимальное поперечное сечение провода электрического кабеля должно составлять 1 мм<sup>2</sup>; максимальная длина 30 м. При использовании кабельного барабана всегда полностью разматывайте кабель.

### Важные инструкции по технике безопасности для всех зарядных устройств

**СОХРАНИТЕ НАСТОЯЩЕЕ РУКОВОДСТВО.** В данном руководстве содержатся важные инструкции по технике безопасности для совместимых зарядных устройств (см. **Технические характеристики**).

- Перед тем как использовать зарядное устройство, внимательно изучите все инструкции и предупреждающие этикетки на зарядном устройстве, батарее и инструменте, для которого используется батарея.



**ВНИМАНИЕ:** Опасность поражения электрическим током. Не допускайте попадания жидкости в зарядное устройство. Это может привести к поражению электрическим током.



**ВНИМАНИЕ:** Рекомендуется использовать устройство защитного отключения (УЗО) с током утечки до 30 мА.



**ВНИМАНИЕ:** Опасность ожога. Во избежание травм, следует использовать только аккумуляторные батареи производства. Использование батарей другого типа может привести к взрыву, травмам и повреждениям.



**ПРЕДУПРЕЖДЕНИЕ:** Не позволяйте детям играть с данным устройством.

**ПОЯСНЕНИЕ:** В определенных условиях, при подключении зарядного устройства к источнику питания, может произойти короткое замыкание контактов внутри зарядного устройства посторонними материалами. Не допускайте попадания в полость зарядного устройства таких токопроводящих материалов, как стальная стружка, алюминиевая фольга или другие металлические частицы и т. п. Всегда отключайте зарядное устройство от источника питания, если в нем нет аккумуляторной батареи. Всегда отключайте зарядное устройство от сети перед тем, как приступить к очистке инструмента

- **НЕ ПЫТАЙТЕСЬ заряжать батареи с помощью каких-либо других зарядных устройств, кроме тех, которые указаны в данном руководстве.**

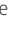



Зарядное устройство и батарея предназначены для совместного использования.

- Эти зарядные устройства не предназначены ни для какого другого использования, помимо зарядки аккумуляторных батарей. Использование любых других батарей может привести к возгоранию, поражению электрическим током или гибели от электрического шока.
- Не подвергайте зарядное устройство воздействию снега или дождя.
- При отключении зарядного устройства от сети всегда тяните за штепсельную вилку, а не за кабель. Это поможет избежать повреждения штепсельной вилки и розетки.
- Убедитесь в том, что кабель расположен таким образом, чтобы на него не наступили, не споткнулись об него, а также в том, что он не натянут и не может быть поврежден.
- Не используйте удлинительный кабель без крайней необходимости. Использование удлинительного кабеля неподходящего типа может привести к пожару или поражению электрическим током.
- Не ставьте на зарядное устройство никакие предметы и не устанавливайте зарядное устройство на мягкую поверхность, которая может закрыть вентиляционные отверстия и привести к перегреву. Не размещайте зарядное устройство поблизости от источников тепла. Вентиляция зарядного устройства происходит с помощью отверстий в верхней и нижней части корпуса.
- Не используйте зарядное устройство при наличии поврежденного кабеля или штепсельной вилки – в этом случае необходимо немедленно их заменить.
- Не используйте зарядное устройство, если его роняли, либо если оно подвергалось сильным ударам или было повреждено каким-либо иным образом. Обратитесь в авторизованный сервисный центр.
- Не разбирайте зарядное устройство. При необходимости обратитесь в специализированный сервисный центр, если нужно провести обслуживание или ремонт инструмента. Неправильная сборка может стать причиной пожара или поражения электрическим током.
- В случае повреждения кабеля питания его необходимо немедленно заменить у производителя, в его сервисном центре или с привлечением другого специалиста аналогичной квалификации для предотвращения несчастного случая.
- Перед очисткой отключите зарядное устройство от сети. В противном случае, это может привести к поражению электрическим током. Извлечение аккумуляторной батареи не приведет к снижению степени этого риска.

- НИКОГДА не подключайте два зарядных устройства вместе.
- Зарядное устройство предназначено для работы при стандартном напряжении сети в 230 В. Не пытайтесь использовать его при каком-либо ином напряжении. Это не относится к автомобильному зарядному устройству.










### Зарядка батареи (Рис. [Fig.] B)

1. Перед установкой батареи подключите зарядное устройство к соответствующей сетевой розетке.
2. Вставьте аккумуляторную батарею  в зарядное устройство, убедившись в том, что она хорошо установлена. Красный индикатор зарядки начнет мигать. Это означает, что процесс зарядки начался.
3. По окончании зарядки красный индикатор будет гореть непрерывно, не мигая. Теперь батарея полностью заряжена, и ее можно использовать или оставить в зарядном устройстве. Чтобы извлечь аккумуляторную батарею из зарядного устройства, нажмите кнопку фиксатора батареи  и извлеките батарею.

**ПРИМЕЧАНИЕ:** Чтобы обеспечить максимальную производительность и срок службы литий-ионных батарей, перед первым использованием полностью зарядите аккумуляторную батарею.

### Работа с зарядным устройством

См. состояние зарядки аккумуляторной батареи на приведенных ниже индикаторах.

Индикаторы зарядки	
 Зарядка	 
 Полностью заряжен	 
 Температурная задержка*	 

\*В это время красный индикатор продолжит мигать, а когда начнется зарядка, загорится желтый. После того, как батарея достигнет рабочей температуры, желтый индикатор погаснет, и зарядка продолжится.

Зарядное(-ые) устройство(-а) не может(-гут) полностью зарядить неисправную аккумуляторную батарею. При неисправной аккумуляторной батарее, индикатор на зарядном устройстве не загорится.

**ПРИМЕЧАНИЕ:** Также это может указывать на проблему с зарядным устройством.

Если зарядное устройство указывает на наличие проблемы, проверьте аккумулятор и зарядное устройство в специализированном сервисном центре.

### Температурная задержка

Если температура батареи слишком низкая или слишком высокая, зарядное устройство автоматически переходит в режим температурной задержки; при этом зарядка не начинается до тех пор, пока батарея не достигнет нужной температуры. После того, как нужный уровень температуры будет достигнут, устройство перейдет в режим зарядки.

Данная функция обеспечивает максимальный срок эксплуатации батареи.

Зарядка холодной батареи занимает больше времени, чем теплой. Аккумуляторная батарея заряжается медленнее во время цикла зарядки и максимального заряда не удастся добиться даже после того, как аккумуляторная батарея будет теплой.

Зарядное устройство DCB118 оснащено внутренним вентилятором для охлаждения батареи. Вентилятор включится автоматически, если батарея нуждается в охлаждении. Не используйте зарядное устройство, если вентилятор не функционирует или если забиты вентиляционные отверстия. Не позволяйте посторонним предметам попадать внутрь зарядного устройства.

### Система электронной защиты

Литий-ионные аккумуляторные батареи XR оснащены системой электронной защиты, которая защищает аккумуляторную батарею от перегрузки, перегрева или глубокой разрядки.

При срабатывании системы электронной защиты инструмент автоматически отключается. В этом случае поставьте литий-ионную батарею на зарядку до тех пор, пока она полностью не зарядится.

### Крепление на стену

Данные зарядные устройства могут крепиться на стены или устанавливаться на стол или рабочую поверхность. При креплении на стену расположите зарядное устройство в пределах досягаемости розетки и подальше от углов и других препятствий, которые могут помешать потоку воздуха. Используйте заднюю часть зарядного устройства в качестве образца для положения монтажных болтов на стене. Надежно закрепите зарядное устройство при помощи саморезов (приобретаются отдельно) длиной минимум в 25,4 мм с диаметром шляпки самореза в 7–9 мм, вкрученных в дерево до оптимальной глубины, оставляющей на поверхности примерно 5,5 мм самореза. Совместите отверстия на задней стороне зарядного устройства с выступающими саморезами и полностью вставьте их в отверстия.

### Инструкции по очистке зарядного устройства



**ВНИМАНИЕ:** Опасность поражения электрическим током. Перед чисткой отключите зарядное устройство от сети питания. Грязь и жир можно удалить с наружной поверхности зарядного устройства с помощью тряпки или мягкой неметаллической щетки. Не используйте воду или чистящие растворы. Не допускайте попадания жидкости внутрь инструмента; никогда не погружайте никакие из деталей инструмента в жидкость.

## Аккумуляторные батареи



### Важные инструкции по технике безопасности для всех батарей

При заказе запасных батарей не забудьте указать номер по

каталогу и напряжению.

При покупке батарея заряжена не полностью. Перед тем, как использовать батарею и зарядное устройство, прочтите следующие инструкции по технике безопасности. Затем выполните необходимые действия для зарядки.

### ВНИМАТЕЛЬНО ПРОЧИТЕ ВСЕ ИНСТРУКЦИИ

- **Не заряжайте и не используйте батарею во взрывоопасной атмосфере, например, при наличии горючих жидкостей, газов или пыли.** Установка или удаление батареи из зарядного устройства может привести к воспламенению пыли или газов.
  - **Никогда не прилагайте больших усилий, вставляя батарею в зарядное устройство. Не вносите изменения в конструкцию батарей с целью установить их в зарядное устройство, к которому они не подходят. Это может привести к серьезным травмам.**
  - Заряжайте батареи только с помощью зарядных устройств.
  - **НЕ ПРОЛИВАЙТЕ** на них и не погружайте их в воду или другие жидкости.
  - **Не храните и не используйте данное устройство и батарею при температуре выше 40 °C (например, на внешних пристройках или на металлических поверхностях зданий в летнее время).**
  - **Не сжигайте батареи, даже поврежденные или полностью отработавшие.** При попадании в огонь батареи могут взорваться. При сжигании литий-ионных батарей образуются токсичные вещества и газы.
  - **При попадании содержимого батареи на кожу, немедленно промойте это место водой с мылом.** При попадании содержимого батареи в глаза, необходимо промыть открытые глаза проточной водой в течение 15 минут или до тех пор, пока не пройдет раздражение. При необходимости обращения к врачу, может пригодиться следующая информация: электролит представляет собой смесь жидких органических углекислых и литиевых солей.
  - **При вскрытии батареи, ее содержимое может вызвать раздражение дыхательных путей.** Обеспечьте наличие свежего воздуха. Если симптомы сохраняются, обратитесь к врачу.
-  **ВНИМАНИЕ:** Опасность ожога. Содержимое батареи может воспламениться при попадании искр или огня.
-  **ВНИМАНИЕ:** Ни в коем случае не разбирайте батарею. При наличии трещин или других повреждений батареи, не устанавливайте ее в зарядное устройство. Не роняйте батарею и не подвергайте ее ударам или другим повреждениям. Не используйте батарею или зарядное устройство после удара, падения или получения каких-либо других повреждений (например, после того, как

ее проткнули гвоздем, ударили молотком или наступили на нее). Это может привести к удару или поражению электрическим током. Поврежденные батареи необходимо вернуть в сервисный центр для повторной переработки.



**ВНИМАНИЕ: Риск воспламенения. Избегайте замыкания выводов батарей металлическими предметами во время хранения или переноски.**

Например, не кладите аккумуляторные батареи в передники, карманы, ящики для инструментов, выдвижные ящики и т. п. с гвоздями, гайками, ключами и т. п.



**ПРЕДУПРЕЖДЕНИЕ: Когда устройство не используется, кладите его на бок на устойчивую поверхность в таком месте, где оно не может упасть и об него нельзя споткнуться.** Некоторые устройства с батареями большого размера, стоят сверху на батарее, и могут легко упасть.

## Транспортировка



**ВНИМАНИЕ: Риск воспламенения.** При транспортировке аккумуляторных батарей может произойти возгорание, если терминалы аккумуляторных батарей случайно будут замкнуты электропроводящими материалами. При транспортировке аккумуляторных батарей убедитесь в том, что терминалы защищены и хорошо изолированы от материалов, контакт с которыми может привести к короткому замыканию.

**ПРИМЕЧАНИЕ:** Литий-ионные аккумуляторные батареи запрещается сдавать в багаж.

Батареи соответствуют всем применимым правилам транспортировки, как предусмотрено промышленными и юридическими стандартами, включая рекомендации ООН по транспортировке опасных грузов; Ассоциация международных авиаперевозчиков (IATA) правила перевозки опасных грузов, Международные правила перевозки опасных грузов морским путем (IMDG), и европейское соглашение о международной дорожной перевозке опасных грузов (ADR). Литий-ионные элементы и аккумуляторные батареи были протестированы в соответствии с разделом 38.3 Рекомендаций ООН по транспортировке опасных грузов руководства по тестам и критериям.

В большинстве случаев транспортировка аккумуляторных батарей не попадает под классификацию, поскольку они не являются опасными материалами Класса 9. В целом, полностью под правила Класса 9 подпадают только перевозки литий-ионных батарей с энергоемкостью выше 100 Ватт час (Вт ч). Энергоемкость всех литий-ионных аккумуляторных батарей в Ватт-часах указана на упаковке. Кроме того, из-за сложности правил, не рекомендует перевозку литий-ионных батарей по воздуху вне зависимости от их энергоемкости. Поставки инструментов с батареями (комбинированные наборы) могут перевозиться

по воздуху согласно исключениям, если энергоемкость батареи не превышает 100 Вт ч.

Независимо от того, является ли перевозка исключением или выполняется по правилам, перевозчик должен уточнить последние требования к упаковке, маркировке и оформлению документации.

Информация, изложенная в данном руководстве обоснована и на момент создания данного документа может считаться точной. Но эта гарантия не является ни выраженной, ни подразумеваемой. Покупатель должен обеспечить то, что бы его деятельность соответствовала всем применимым законам.

## Рекомендации по хранению

1. Лучшим местом для хранения является прохладное и сухое место, защищенное от прямых солнечных лучей, высокой или низкой температуры. Для оптимальной работы и продолжительного срока службы, храните неиспользуемые аккумуляторные батареи при комнатной температуре.
2. Для достижения максимальных результатов при продолжительном хранении рекомендуется полностью зарядить батарейный комплект и хранить его в прохладном сухом месте вне зарядного устройства.

**ПРИМЕЧАНИЕ:** Аккумуляторные батареи не должны храниться в полностью разряженном состоянии. Перед использованием аккумуляторная батарея требует повторной зарядки.

## Маркировка на зарядном устройстве и аккумуляторной батарее

Помимо пиктограмм, используемых в данном руководстве, на зарядном устройстве и батарее имеются следующие обозначения:



Перед началом работы прочтите руководство по эксплуатации.



Чтобы узнать время зарядки, см. **Технические характеристики**.



Не касайтесь токопроводящими предметами контактов батареи и зарядного устройства.



Не пытайтесь заряжать поврежденную батарею.



Не подвергайте электроинструмент или его элементы воздействию влаги.



Немедленно заменяйте поврежденный кабель питания.



Зарядку осуществляйте только при температуре от 4 °C до 40 °C.



Для использования внутри помещений.



Утилизируйте отработанные батареи безопасным для окружающей среды способом.



Заряжайте аккумуляторные батареи только с помощью соответствующих зарядных устройств. Зарядка иных аккумуляторных батарей, кроме на зарядных устройствах может привести к возгоранию аккумуляторных батарей и возникновению других опасных ситуаций.



Не сжигайте аккумуляторную батарею.

### Тип батареи

DCW692 работает от аккумуляторной батареи напряжением 18 В.

Могут применяться следующие типы батарей: DCB181, DCB182, DCB183, DCB183B, DCB184, DCB184B, DCB185, DCB187, DCB189, DCBP034.. Подробную информацию см. в **Технических характеристиках**.

### Комплект поставки

В упаковку входят:

- 1 Ламельный фрезер
- 1 Пылесборник
- 2 Переходника для сбора пыли
- 1 Штифтовый гаечный ключ
- 1 Отвертка T20 Torx
- 1 Ионно-литиевая аккумуляторная батарея (модели C1, D1, G1, L1, M1, P1, S1, T1, X1, Y1)
- 2 Ионно-литиевые аккумуляторные батареи (модели C2, D2, G2, L2, M2, P2, S2, T2, X2, Y2)
- 3 Ионно-литиевые аккумуляторные батареи (модели C3, D3, G3, L3, M3, P3, S3, T3, X3, Y3)
- 1 Руководство по эксплуатации

**ПРИМЕЧАНИЕ:** Аккумуляторные батареи, зарядные устройства и инструментальные ящики не входят в комплект поставки для моделей N. Аккумуляторные батареи и зарядные устройства не входят в комплект поставки для моделей NT. Модели V оснащены аккумуляторной батареей Bluetooth®.

**ПРИМЕЧАНИЕ:** Словесный товарный знак и логотип Bluetooth® являются зарегистрированными товарными знаками Bluetooth®, SIG, Inc. любое использование этих знаков DeWALT лицензировано. Другие торговые марки и названия принадлежат их владельцам.

- Проверьте инструмент, детали и дополнительные принадлежности на предмет повреждений, которые могли произойти во время транспортировки.
- Перед эксплуатацией внимательно прочтите данное руководство.

### Маркировка инструмента

На инструмент нанесены следующие обозначения:



Перед началом работы прочтите руководство по эксплуатации.



Используйте защитные наушники.



Используйте защитные очки



Диаметр фрезы

### Место положения кода даты (Рис. В)

Код даты **20**, который также включает в себя год изготовления, отштампован на поверхности корпуса инструмента.

Пример:

2020 XX XX  
Год изготовления

### Описание (Рис. А)



**ВНИМАНИЕ:** *Никогда не вносите изменения в конструкцию электроинструмента или какой-либо его части. Это может привести к повреждениям или травмам.*

- 1 Клавиша пускового выключателя
- 2 Кнопка блокировки пускового выключателя
- 3 Дополнительная рукоятка
- 4 Регулятор высоты направляющей
- 5 Отверстие пылеотвода
- 6 Регулируемая направляющая
- 7 Нескользящие упоры
- 8 Рукоятка настройки глубины погружения
- 9 Зажимная рукоятка высоты направляющей
- 10 Кнопка блокировки шпинделя
- 11 Зажимная рукоятка регулируемой направляющей
- 12 Аккумуляторная батарея
- 13 Отпирающая кнопка батареи

### Назначение

Ваш ламельный фрезер предназначен для вырезания пазов для ламельных соединений в древесине и изделиях из дерева.

**НЕ ИСПОЛЬЗУЙТЕ** в условиях повышенной влажности или поблизости от легковоспламеняющихся жидкостей или газов.

Данный ламельный фрезер является профессиональным электроинструментом.

**НЕ ПОЗВОЛЯЙТЕ** детям прикасаться к инструменту. Использование инструмента неопытными пользователями должно происходить под контролем опытного лица.

- **Малолетние дети и люди с ограниченными физическими возможностями.** Этот инструмент не предназначен для использования малолетними детьми или людьми с ограниченными физическими возможностями кроме как под контролем лица, отвечающего за их безопасность.
- Данный инструмент не предназначен для использования лицами (включая детей) с ограниченными физическими,

психическими и умственными возможностями, не имеющими опыта, знаний или навыков работы с ним, если они не находятся под наблюдением лица, ответственного за их безопасность. Никогда не оставляйте детей с этим инструментом без присмотра.

## СБОРКА И РЕГУЛИРОВКА



**ВНИМАНИЕ:** Чтобы снизить риск получения серьезной травмы, необходимо выключить инструмент и отсоединить батарею, прежде чем выполнять какую-либо регулировку либо удалять/устанавливать какие-либо насадки или дополнительные принадлежности.

Случайный запуск может привести к травме.



**ВНИМАНИЕ:** Используйте только зарядные устройства и аккумуляторные батареи марки.

## Установка и извлечение аккумуляторной батареи из инструмента (Рис. В)

**ПРИМЕЧАНИЕ:** Убедитесь, что аккумуляторная батарея **12** полностью заряжена.

### Установка батареи в рукоятку инструмента

1. Совместите аккумуляторную батарею **12** с выемкой на внутренней стороне рукоятки (Рис. В).
2. Задвиньте ее в рукоятку так, чтобы аккумуляторная батарея плотно встала на место и убедитесь, что услышали щелчок от вставшего на место замка.

### Извлечение батареи из инструмента

1. Нажмите кнопку фиксатора батареи **13** и вытащите батарею из рукоятки.
2. Вставьте батарею в зарядное устройство, как указано в разделе данного руководства, посвященном зарядному устройству.

## Датчик уровня заряда аккумуляторной батареи (Рис. В)

В некоторых аккумуляторных батареях есть датчик заряда, который включает три зеленых светодиодных индикатора, показывающих уровень оставшегося заряда аккумуляторной батареи.

Для включения датчика заряда, нажмите и удерживайте кнопку датчика заряда **14**. Загорятся три зеленых светодиода, показывая уровень оставшегося заряда. Когда уровень заряда аккумуляторной батареи будет ниже уровня, необходимого для использования, светодиоды перестанут гореть и аккумуляторную батарею следует зарядить.

**ПРИМЕЧАНИЕ:** Датчик заряда аккумуляторной батареи показывает уровень оставшегося заряда. Он не показывает работоспособность устройства и его показания могут меняться в зависимости от компонентов продукта, температуры и сфер применения.

## Регулируемая направляющая (Рис. D1, D2)

Регулируемая направляющая **6** позволяет точно установить место вырезания отверстий для ламелей. Чтобы

отрегулировать высоту направляющей:

1. Ослабьте зажимную рукоятку высоты направляющей **9**.
2. Установите регулятор высоты **4** в нужное положение. При направляющей, установленной на 90°, на шкале под зажимной рукояткой будет отображаться расстояние между центром ламеля и поверхностью направляющей.
3. Затяните зажимную рукоятку.

## Установка угла направляющей

1. Ослабьте зажимную рукоятку направляющей **11**.
2. Установите направляющую под нужным углом.
3. Затяните зажимную рукоятку направляющей.

Тонкая настройка используется для устранения возможных погрешностей в размерах пазов для ламелей.

## Отметки на основании ламельного фрезера

При работе без направляющей, например, при выполнении Т-образных соединений, точно настроить фрезер вам помогут отметки на его основании.

1. Установите направляющую в положение 0°, как было описано выше.
2. Для заготовок толщиной 19 мм используйте край основания в качестве центральной отметки.
3. Для заготовок прочих размеров используйте размеченные красные осевые линии для выравнивания инструмента.
4. Две из отметок означают длину реза. Чтобы избежать сквозного реза в заготовке, следите, чтобы заготовка выступала за границы данных отметок.

## Настройка глубины погружения (Рис. Е)

Можно настроить глубину погружения в соответствии с размером ламеля. Цифры 0, 10 и 20 на рукоятке настройки глубины погружения соответствуют размеру ламеля. Буква «М» обозначает максимальную глубину погружения - приблизительно 20 мм.

- Поверните рукоятку настройки глубины погружения **8** в нужное положение, выровняв соответствующую цифру с красной стрелкой на инструменте.

## Тонкая настройка глубины погружения (Рис. F)

Тонкая настройка используется для устранения возможных погрешностей в размерах пазов для ламелей.

1. Установите направляющую **6** в самую высокую позицию, как было описано выше.
2. Вставьте отвертку T20 Torx, как показано на рисунке, и отрегулируйте глубину погружения, повернув винт **23** (для уменьшения глубины поворачивайте в направлении по часовой стрелке). Каждый полный оборот меняет глубину на 1 мм.
3. Проверьте точность настроек, сделав пробный рез на обрезке древесины.

## Нескользящие упоры (Рис. G)

Нескользящие упоры **7** помогут избежать возможного скольжения ламельного фрезера влево при выполнении реза. Работая на видимых участках заготовки, вы можете

убрать упоры, чтобы избежать повреждения поверхности заготовок.

1. Чтобы убрать несскользящие упоры, слегка поверните их по часовой стрелке при помощи плоской отвертки.
2. Если вы хотите воспользоваться упорами, слегка поверните их против часовой стрелки.

## Замена фрезы (Рис. Н, I, J)



### ВНИМАНИЕ:

- Следите за тем, чтобы зубья фрезы указывали в направлении против часовой стрелки, как показано (Рис. I).
  - После замены фрезы всегда проверяйте глубину реза и при необходимости регулируйте ее.
  - Не используйте фрезы меньшего или большего диаметра по сравнению с рекомендованными. См. скорость вращения фрез в разделе «Технические характеристики».
  - Используйте только указанные в данном руководстве фрезы, соответствующие стандарту EN847-1.
1. Удалите четыре винта T20 с шестигранными головками **15** из основания инструмента и снимите крышку.
  2. Нажмите на кнопку блокировки шпинделя **10** и извлеките фланец, повернув его против часовой стрелки.
  3. Замените фрезу, убедившись, что зубья фрезы указывают в направлении против часовой стрелки.
  4. Удерживая кнопку блокировки шпинделя нажатой, надежно затяните фланец, поворачивая его по часовой стрелке.
  5. Установите на место крышку основания и затяните винты с шестигранными головками.



## Пылеудаление (Рис. J1, J2)

При использовании соответствующего переходника, вы сможете подсоединить к инструменту пылесборник или пылесос.

### Пылесос

1. Вставьте соответствующий переходник **16** или **17** в отверстие пылеотвода **5**.
2. Подсоедините шланг пылесоса к переходнику.

### Пылесборник

1. Вставьте соответствующий переходник **16** в отверстие пылеотвода **5**.
2. Подсоедините пылесборник **15** к переходнику.
3. Всегда, когда это возможно, используйте пылесос, разработанный в соответствии с действующими нормативами по выбросу пыли.

## Установка переходника AirLock™ для подсоединения совместимого пылесоса (Рис. K3)



**ВНИМАНИЕ:** При использовании пылеудаления опорожняйте пылесос перед началом работы и регулярно во время работы. Соблюдайте осторожность при удалении пыли. Пыль может быть опасна для здоровья при вдыхании, проглатывании или попадании на кожу. Материалы в мелкой пыли могут быть взрывоопасными.

Ваш инструмент совместим с соединительной системой DEWALT AirLock™. Система AirLock™ обеспечивает быстрое и надежное соединение между переходником AirLock™ **21** и прямым переходником **16**.

1. Извлеките аккумуляторную батарею.
2. Убедитесь в том, что муфта переходника AirLock™ находится в положении разблокировки. (См. Рисунок K3.) Совместите метки **22** на муфте и переходнике AirLock™ как показано для положений блокировки и разблокировки.
3. Вдвиньте переходник AirLock™ в место его подсоединения.
4. Поверните муфту в положение блокировки.

**ПРИМЕЧАНИЕ:** Шарикоподшипники внутри муфты фиксируются в прорези, обеспечивая плотность соединения. Теперь электроинструмент надежно подсоединен к пылесосу.

**ПРИМЕЧАНИЕ:** Поврежденная муфта патрубке пылеотвода может быть заменена пользователем. Муфту можно приобрести как дополнительную принадлежность и заменить ее при помощи отвертки.

## ЭКСПЛУАТАЦИЯ

### Инструкции по использованию



**ВНИМАНИЕ:** Всегда следуйте указаниям действующих норм и правил безопасности.



**ВНИМАНИЕ:** Чтобы снизить риск получения серьезной травмы, необходимо выключить инструмент и отсоединить батарею, прежде чем выполнять какую-либо регулировку либо удалять/устанавливать какие-либо насадки или дополнительные принадлежности. Случайный запуск может привести к травме.

### Правильное положение рук (Рис. D2)



**ВНИМАНИЕ:** Для уменьшения риска получения тяжелой травмы, **ВСЕГДА** правильно удерживайте инструмент, как показано на рисунке.



**ВНИМАНИЕ:** Для уменьшения риска получения тяжелой травмы, **ВСЕГДА** надежно удерживайте инструмент, предупреждая внезапные сбои в работе.

При правильном расположении рук одна рука находится на дополнительной рукоятке **3**, а другая – на основной рукоятке **18**.

## Клавиша пускового выключателя (Рис. С)



**ПРЕДУПРЕЖДЕНИЕ:** *Крепко удерживайте дополнительную рукоятку и корпус инструмента для обеспечения контроля над инструментом при запуске, во время работы и до тех пор, пока фреза не прекратит вращаться. Прежде чем положить инструмент убедитесь, что фреза полностью остановилась.*

**ПРИМЕЧАНИЕ:** Для предотвращения неожиданного движения инструмента не включайте/не выключайте инструмент, находящийся под нагрузкой. Перед началом работы с заготовкой дождитесь, пока ламельный фрезер не наберет полную скорость. Перед выключением инструмента, сначала поднимите его с заготовки. Прежде чем положить инструмент, дождитесь его остановки.

1. Чтобы включить инструмент, передвиньте рычаг блокировки пускового выключателя **2** в сторону задней части инструмента и нажмите на клавишу пускового выключателя **1**. При нажатии на клавишу пускового выключателя инструмент начнет работать.
2. Чтобы выключить инструмент, отпустите клавишу пускового выключателя.

## Защита от отключения при падении напряжения

Данная функция отключит ламельный фрезер без последующего запуска при исчезновении или сильном понижении напряжения.

## Выполнение ламельных соединений

(Рис. L–O)



**ВНИМАНИЕ:** *Всегда делайте пробный рез в обрезке дерева, чтобы проверить глубину погружения. При необходимости выполните тонкую настройку как описано в разделе «Сборка и регулировка».*

Для выполнения прочных и аккуратных ламельных соединений могут использоваться различные техники. В данном руководстве по эксплуатации подробно рассмотрены самые важные из них (Рис. L).

### Выбор размера ламеля (Рис. M)

Существуют ламели трех размеров: 0, 10 и 20. Обычно используется ламель наибольшего размера, который может войти в заготовку.

После выбора размера ламелей, которые планируется использовать, отрегулируйте глубину погружения, как описано в разделе «Регулировка глубины погружения».

### Расположение ламелей (Рис. N1–N4)

Для торцевых боковых соединений ламели обычно располагаются на расстоянии 15-25 см друг от друга. Крайние ламели должны располагаться на расстоянии 5-7,5 см от концов заготовки (Рис. N1).

При соединении узких заготовок, например, при изготовлении картинных рам, ламели даже самого малого размера будут слишком большими для соединения. В этом случае, выступающие кончики ламелей должны быть обрезаны после того, как соединение будет проклеено (Рис. N2).

При соединении заготовок толщиной более 2,5 см для дополнительной прочности могут использоваться парные ламели (Рис. N3).

Для разметки нескольких заготовок, сначала расположите их в порядке будущей сборки. При помощи угольника начертите разметочную линию на заготовках (Рис. N4).

## Вырезание пазов для ламелей (Рис. O)

1. Отрегулируйте настройки инструмента, как было описано выше.
2. Выверните центральную отметку на основании инструмента с разметочной линией на заготовке, как показано на рисунке.
3. Включите инструмент и подождите, пока фреза не достигнет максимальной скорости.
4. Крепко прижмите направляющую к заготовке и погрузите фрезу в материал, пока она не остановится.
5. Позвольте инструменту самостоятельно извлечь фрезу из заготовки.
6. Выключите инструмент.

## Сборка заготовок

1. Попробуйте собрать заготовки, чтобы проверить правильность соединений.
2. Равномерно распределите подходящий клей в пазы для ламелей и на сопряженные поверхности соединения.
3. Вставьте ламели в пазы, убедившись, что они соприкасаются с клеем.
4. Соедините заготовки и зажмите их струбцинами до полного высыхания клея.

## Соединения край в край (Рис. P1, P2)

1. Разложите заготовки на плоской поверхности в порядке последующей сборки.
2. Отметьте центры ламелей. Ламели должны располагаться на расстоянии 15-25 см друг от друга. Крайние ламели должны располагаться на расстоянии 5-7,5 см от концов заготовки (Рис. P1).
3. Установите направляющую на 90°.
4. Установите регулятор высоты в положение ламеля в центре заготовки.
5. Отрегулируйте прочие настройки инструмента, как было описано выше.
6. Вырежьте пазы для ламелей, как описано выше (Рис. P2).

## Рамочные соединения (Рис. Q1–Q3)

1. Разложите заготовки на плоской поверхности в порядке последующей сборки (Рис. Q1, Q2).
2. Выберите ламели соответствующего размера.

3. Отметьте центры ламелей.
4. Отрегулируйте настройки инструмента, как было описано выше.
5. Вырежьте пазы для ламелей, как описано выше (Рис. Q3).

## Угловые соединения (Рис. R1, R2)

1. Разложите заготовки в порядке последующей сборки (Рис. R1).
2. Выберите ламели соответствующего размера.
3. Отметьте центры ламелей.
4. Для торцевого реза, зафиксируйте заготовку зажимом и выровняйте инструмент, как показано (Рис. R2)
5. Вырежьте пазы для ламелей, как описано выше.

## Смещенные соединения (Рис. S)

При соединении двух заготовок различной толщины, выполните следующие действия:

1. Разложите заготовки в порядке последующей сборки.
2. Выберите ламели соответствующего размера.
3. Отметьте центры ламелей.
4. Выберите заготовку, которая будет выступать.
5. Установите регулятор высоты в положение ламеля в центре заготовки.
6. Вырежьте пазы для ламелей, как описано выше.
7. Отрегулируйте направляющую на расстояние, равное желаемому выступу. Показания настройки см. на шкале.
8. Вырежьте пазы для ламелей, как описано выше.

## Кромочные соединения со скосом (Рис. T1–T4)

### Выравнивание по внешним сторонам

1. Разложите заготовки в порядке последующей сборки.
2. Отметьте центры ламелей на внешнем крае соединения.
3. Установите направляющую на 90°.
4. Отрегулируйте направляющую для расположения ламеля в сторону внутренней стороны соединения в самой широкой части заготовки. Выберите ламели соответствующего размера (Рис. T2).
5. Зафиксируйте заготовку зажимом и выровняйте инструмент, как показано на рисунке (Рис. T3).
6. Вырежьте пазы для ламелей, как описано выше.

### Выравнивание по внутренним сторонам

1. Разложите заготовки в порядке последующей сборки.
2. Отметьте центры ламелей на внутреннем крае соединения.
3. Установите направляющую на 45°.
4. Отрегулируйте направляющую для расположения ламеля в сторону внутренней стороны соединения в самой широкой части заготовки. Выберите ламели соответствующего размера.
5. Зафиксируйте заготовку зажимом и выровняйте инструмент, как показано на рисунке (Рис. T4).

6. Вырежьте пазы для ламелей, как описано выше.

## T-образные соединения (Рис. U1–U5)

Этот тип соединений обычно используется для крепления полок к торцевым панелям (Рис. U1).

1. Разложите заготовки на плоской поверхности в порядке последующей сборки (в виде перевернутой буквы T).
2. Отметьте центры ламелей на детали полки.
3. Отметьте верх полки на торцевой панели (Рис. U2).
4. Зафиксируйте при помощи зажима направляющую на верхней части торцевой панели, выровняв конец полки с отмеченной линией (Рис. U3).
5. Выберите ламели соответствующего размера.
6. Установите направляющую на 0°.
7. Выровняйте инструмент с отметками ламелей, используя отметки на основании инструмента.
8. Выполните вертикальный (Рис. U4) и горизонтальный (Рис. U5) рез в каждой точке расположения ламелей.

## ТЕХНИЧЕСКОЕ ОБСЛУЖИВАНИЕ

Электроинструмент имеет длительный срок эксплуатации и требует минимальных затрат на техобслуживание. Для длительной безотказной работы необходимо обеспечить правильный уход за инструментом и его регулярную очистку.



**ВНИМАНИЕ:** Чтобы снизить риск получения серьезной травмы, необходимо выключить инструмент и отсоединить батарею, прежде чем выполнять какую-либо регулировку либо удалять/устанавливать какие-либо насадки или дополнительные принадлежности.

*Случайный запуск может привести к травме.*

Зарядное устройство и аккумуляторные батареи неремонтопригодны.



### Смазка

Ваш электроинструмент не требует дополнительной смазки.



### Чистка



**ВНИМАНИЕ:** Выдувайте грязь и пыль из корпуса сухим сжатым воздухом по мере видимого скопления грязи внутри и вокруг вентиляционных отверстий. Выполняйте очистку, надев средство защиты глаз и респиратор утвержденного типа.



**ВНИМАНИЕ:** Никогда не используйте растворители или другие агрессивные химические средства для очистки неметаллических деталей инструмента. Эти химикаты могут ухудшить свойства материалов, примененных в данных деталях. Используйте ткань, смоченную в воде с мягким мылом. Не допускайте попадания какой-либо



жидкости внутрь инструмента; ни в коем случае не погружайте какую-либо часть инструмента в жидкость.

## Дополнительные принадлежности



**ВНИМАНИЕ:** Поскольку принадлежности, отличные от тех, которые предлагает DEWALT, не проходили тесты на данном изделии, то использование этих принадлежностей может привести к опасной ситуации. Во избежание риска получения травмы, с данным продуктом должны использоваться только рекомендованные DEWALT дополнительные принадлежности.

По вопросу приобретения дополнительных принадлежностей обращайтесь к Вашему дилеру.

## Защита окружающей среды



Отдельная утилизация. Изделия и аккумуляторные батареи с данным символом на маркировке запрещается утилизировать с обычными бытовыми отходами.

Изделия и аккумуляторные батареи содержат материалы, которые могут быть извлечены или переработаны, снижая потребность в исходном сырье. Пожалуйста, утилизируйте электрические изделия и аккумуляторные батареи в соответствии с местными нормами. Дополнительная информация доступна по адресу [www.2helpU.com](http://www.2helpU.com).

## Аккумуляторная батарея

Данную аккумуляторную батарею с длительным сроком эксплуатации необходимо перезаряжать, когда она перестает обеспечивать питание, необходимое для выполнения определенных работ. По окончании срока эксплуатации ее следует утилизировать, соблюдая при этом необходимые меры по защите окружающей среды:

- полностью разрядите батарею до конца и извлеките ее из инструмента.
- литий-ионные аккумуляторные батареи подлежат вторичной переработке. Сдайте их нашему дилеру или в местный центр вторичной переработки. В этих пунктах батареи будут подвергнуты повторной переработке или правильной утилизации.

## Дополнительная информация:

Дату изготовления (код даты) указан на корпусе инструмента. Код даты, который так же включает год изготовления, отштампован на поверхности корпуса изделия. Пример: 2021 46 XX, где 2021 – год изготовления, 46-неделя изготовления, XX – код завода изготовителя. ТОВАР СЕРТИФИЦИРОВАН. Орган по сертификации "РОСТЕСТ- Москва", Адрес: 119049, г. Москва, улица Житная, д. 14, стр. 1; 117418, Москва, Нахимовский просп., 31 (факт.). Тел.: (499) 1292311, (495) 6682893, E-mail: [office@rostest.ru](mailto:office@rostest.ru) Изготовитель: Изготовитель: Блэк энд Деккер Холдингс ГмбХ, Германия, 65510, Идштайн, ул. Блэк энд Деккер, 40, тел. +496126212790.

Уполномоченное изготовителем юр.лицо: ООО "Стэнли Блэк энд Деккер", 117485, город Москва, улица Обручева, дом 30/1, строение 2, Телефон: + 7 (495) 258-3981, факс: + 7 (495) 258-3984, E-mail: [inbox@dewalt.com](mailto:inbox@dewalt.com). Сведения о импортере указаны в сопроводительной документации и/или на упаковке.



## Приложение к руководству по эксплуатации электрооборудования для определения месяца производства по номеру текущей календарной недели года

Электрооборудование торговых марок "Dewalt", "Stanley", "Stanley FatMAX", "BLACK+DECKER".

Директивы 2014/30/EU ЕВРОПЕЙСКОГО ПАРЛАМЕНТА И СОВЕТА от 26 февраля 2014 г. "О гармонизации законодательства Государств-членов ЕС в области электромагнитной совместимости", 2006/42/ЕС ЕВРОПЕЙСКОГО ПАРЛАМЕНТА И СОВЕТА от 17 мая 2006 г. "О машинах и оборудовании"; 2014/35/EU ЕВРОПЕЙСКОГО ПАРЛАМЕНТА И СОВЕТА от 26 февраля 2014 г. "О гармонизации законодательства государств-членов в области размещения на рынке электрооборудования, предназначенного для использования в определенных пределах напряжения".  
Серийный выпуск.

**ТОВАР СЕРТИФИЦИРОВАН**

Орган по сертификации "РОСТЕСТ- Москва", Адрес: 119049, г. Москва, улица Житная, д. 14, стр. 1; 117418, Москва, Нахимовский просп., 31 (фактический); Телефон: (495) 1292311, (495) 6682893, факс: (495) 6682893, E-mail: [office@rostest.ru](mailto:office@rostest.ru)

Изготовитель: Изготовитель: Блэк энд Деккер Холдингс ГмбХ, Германия, 65510, Идштайн, ул. Блэк энд Деккер, 40, тел. +496126212790.

Уполномоченное изготовителем юр.лицо:

ООО "Стэтли Блэк энд Деккер", 117485, город Москва, улица Обручева, дом 30/1, строение 2  
Телефон: + 7 (495) 258-3981, факс: + 7 (495) 258-3984, E-mail: [inbox@dewalt.com](mailto:inbox@dewalt.com)

Сведения о импортере указаны в сопроводительной документации и/или на упаковке

**Хранение.**

Необходимо хранить в сухом месте, вдали от источников повышенных температур и воздействия солнечных лучей. При хранении необходимо избегать резкого перепада температур. Хранение без упаковки не допускается

**Срок службы.**

Срок службы изделия составляет 5 лет. Не рекомендуется к эксплуатации по истечении 5 лет хранения с даты изготовления без предварительной проверки.

Дата изготовления (код даты) указана на корпусе инструмента. Код даты, который также включает год изготовления, отштампован на поверхности корпуса изделия.

Пример:

2014 46 XX, где 2014 –год изготовления, 46–неделя изготовления. Определить месяц изготовления по указанной неделе изготовления можно согласно приведенной ниже таблице.

**Транспортировка.**

Категорически не допускается падение и любые механические воздействия на упаковку при транспортировке.

При разгрузке/погрузке не допускается использование любого вида техники, работающей по принципу зажима упаковки.

**Перечень критических отказов, возможные ошибочные действия персонала.**

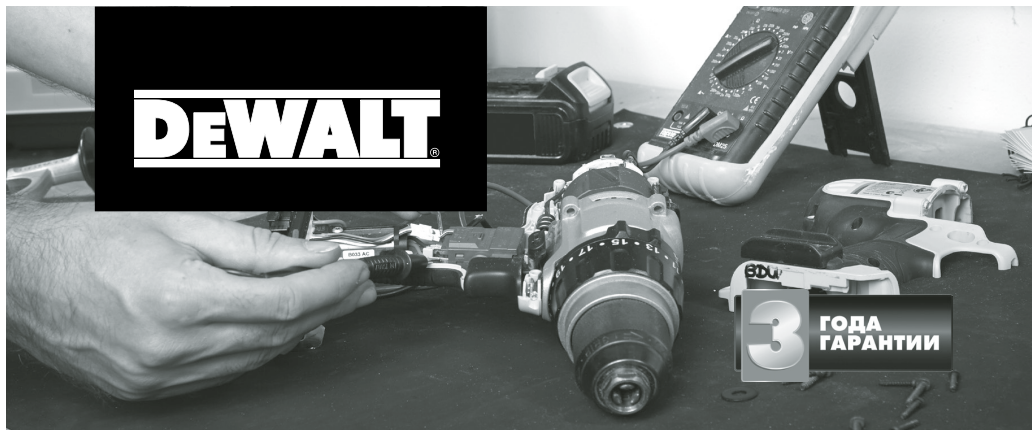
Не допускается эксплуатация изделия:

- При появлении дыма из корпуса изделия
- При поврежденном и/или оголенном сетевом кабеле
- при повреждении корпуса изделия, защитного кожуха, рукоятки
- при попадании жидкости в корпус
- при возникновении сильной вибрации
- при возникновении сильного искрения внутри корпуса

**Критерии предельных состояний.**

- При поврежденном и/или оголенном сетевом кабеле
- при повреждении корпуса изделия

Месяц	Январь	Февраль	Март	Апрель	Май	Июнь	Июль	Август	Сентябрь	Октябрь	Ноябрь	Декабрь	Год производства
Неделя	1	5	9	14	18	23	27	31	36	40	44	49	2018
	2	6	10	15	19	24	28	32	37	41	45	50	
	3	7	11	16	20	25	29	33	38	42	46	51	
	4	8	12	17	21	26	30	34	39	43	47	52	
			13		22			35			48		
Неделя	1	6	10	14	18	23	27	31	36	40	45	49	2019
	2	7	11	15	19	24	28	32	37	41	46	50	
	3	8	12	16	20	25	29	33	38	42	47	51	
	4	9	13	17	21	26	30	34	39	43	48	52	
	5				22			35		44			
Неделя	1	6	10	14	19	23	27	32	36	40	45	49	2020
	2	7	11	15	20	24	28	33	37	41	46	50	
	3	8	12	16	21	25	29	34	38	42	47	51	
	4	9	13	17	22	26	30	35	39	43	48	52	
	5				18		31			44			
Неделя	2	6	10	14	19	23	27	32	36	41	45	49	2021
	3	7	11	15	20	24	28	33	37	42	46	50	
	4	8	12	16	21	25	29	34	38	43	47	51	
	5	9	13	17	22	26	30	35	39	44	48	52	
					18		31		40			1	
Неделя	2	6	10	15	19	23	28	32	36	41	45	49	2022
	3	7	11	16	20	24	29	33	37	42	46	50	
	4	8	12	17	21	25	30	34	38	43	47	51	
	5	9	13	18	22	26	31	35	39	44	48	52	
				14		27			40			1	



## ГАРАНТИЙНЫЕ УСЛОВИЯ

### Уважаемый покупатель!

1. Поздравляем Вас с покупкой высококачественного изделия DEWALT и выражаем признательность за Ваш выбор.
  2. При покупке изделия требуйте проверки его комплектности и исправности в Вашем присутствии. В комплекте с инструментом должна быть инструкция по эксплуатации и гарантийные условия производителя на русском языке. Сохраняйте на весь срок гарантии Ваш документ, удостоверяющий факт покупки изделия. Убедитесь, что в чеке указаны: фискальный номер чека, модель/наименование изделия, дата продажи и название торговой организации.
  3. Во избежание недоразумений убедительно просим Вас перед началом работы с изделием внимательно ознакомиться с инструкцией по его эксплуатации. Правовой основой настоящих гарантийных условий является действующее Законодательство. Гарантийный срок на данное изделие составляет 36 месяцев и исчисляется со дня продажи. В случае устранения недостатков изделия гарантийный срок продлевается на период его нахождения в ремонте. Срок службы изделия составляет 5 лет со дня продажи.
  4. В случае возникновения каких-либо проблем в процессе эксплуатации изделия рекомендуем Вам обращаться по телефону в уполномоченные сервисные центры DEWALT, адреса и телефоны которых Вы сможете найти на сайте [www.2helpU.com](http://www.2helpU.com) или узнать в магазине. Наши сервисные станции это не только квалифицированный ремонт, но и широкий ассортимент запчастей и принадлежностей.
  5. Производитель рекомендует проводить периодическую проверку и техническое обслуживание изделия в уполномоченных сервисных центрах.
  6. Наши гарантийные обязательства распространяются только на неисправности, выявленные в течение гарантийного срока и вызванные дефектами материалов или сборки изделия.
- 7. Гарантийные условия не распространяются на неисправности изделия, возникшие в результате:**
- 7.1. Несоблюдения пользователем предписаний инструкции по эксплуатации изделия, применения изделия не по назначению, неправильного хранения, использования принадлежностей, расходных материалов и запчастей, не предусмотренных производителем.
  - 7.2. Механического повреждения (сколы, трещины и разрушения) внутренних и внешних деталей изделия, основных и вспомогательных рукояток, сетевого электрического кабеля, вызванного внешним ударным или любым иным воздействием.



## ОБЯЗАТЕЛЬНО СОХРАНИЙТЕ КАССОВЫЙ ЧЕК

- 7.3. Попадания в вентиляционные отверстия и проникновение внутрь изделия посторонних предметов, материалов или веществ, не являющихся отходами, сопровождающими применение изделия по назначению, такими как: стружка, опилки, песок, и пр.
- 7.4. Воздействия на изделие неблагоприятных атмосферных и иных внешних факторов, таких как дождь, снег, повышенная влажность, нагрев, агрессивные среды, несоответствие параметров питающей электросети, указанных на инструменте.
- 7.5. Стихийного бедствия. Повреждение или утрата изделия, связанное с непредвиденными бедствиями, стихийными явлениями, в том числе вследствие действия непреодолимой силы (пожар, молния, потоп и другие природные явления), а также вследствие перепадов напряжения в электросети и другими причинами, которые находятся вне контроля производителя.

### 8. Гарантийные условия не распространяются:

- 8.1. На инструменты, подвергавшиеся вскрытию, ремонту или модификации вне уполномоченного сервисного центра.
- 8.2. На детали и узлы, имеющие следы естественного износа, такие как: приводные ремни и колеса, угловые щетки, смазка, подшипники, зубчатое зацепление редукторов, резиновые уплотнения, сальники, направляющие ролики, муфты сцепления, бойки, толкатели, стволы, и т.п.
- 8.3. На сменные и расходные части: цанги, зажимные гайки и фланцы, фильтры, ножи, шлифовальные подошвы, цепи, звездочки, пыльные шины, защитные кожухи, пилки, абразивы, пыльные и абразивные диски, фрезы, сверла, буры и т.п.
- 8.4. На неисправности, возникшие в результате перегрузки инструмента (как механической, так и электрической), повлекшей выход из строя одновременно двух и более деталей и узлов, таких как ротора и статора, обеих обмоток статора, ведомой и ведущей шестерни редуктора или других узлов и деталей. К безусловным признакам перегрузки изделия относятся, помимо прочего: появление цветов побежалости, деформация или оплавление деталей и узлов изделия, потемнение или обугливание изоляции проводов электродвигателя под воздействием высокой температуры.



Горячая линия

**8-800-1000-876**

Актуальную информацию об обслуживании  
в интересующем вас городе вы можете узнать на сайте  
**[service.dewalt.ru](http://service.dewalt.ru)**

- Список авторизованных сервисных центров
- Поиск ближайшего сервисного центра
- Руководство по эксплуатации
- Технические характеристики
- Список деталей и запасных частей
- Схема сборки инструмента

# ГАРАНТИЙНОЕ ОБСЛУЖИВАНИЕ

С БЕСПЛАТНОЙ ДОСТАВКОЙ

Теперь вы можете сдать инструмент в сервис, даже если его нет в вашем городе.

Скачать/распечатать инструкцию с сайта

[service.dewalt.ru](http://service.dewalt.ru)



Отметки о проведении сервисного обслуживания

№1	№2	№3	№4
№ заказа	№ заказа	№ заказа	№ заказа
Дата поступления	Дата поступления	Дата поступления	Дата поступления
Дата ремонта	Дата ремонта	Дата ремонта	Дата ремонта
Печать и подпись сервисного центра	Печать и подпись сервисного центра	Печать и подпись сервисного центра	Печать и подпись сервисного центра



## ПОДАРОК ЗА ОТЗЫВ\*

- 1 Зарегистрируйся на [my.dewalt.ru](http://my.dewalt.ru)
- 2 Напиши отзыв о покупке
- 3 Получи подарок\*\*



\*Акция проводится на территории Российской Федерации. Подробные условия акции указаны на [my.dewalt.ru](http://my.dewalt.ru)

\*\* Подарок может отличаться от изображенного, актуальный перечень см. на [my.dewalt.ru](http://my.dewalt.ru)

## ЛАМЕЛЬНИЙ ФРЕЗЕР

## DCW692

## Вітаємо вас!

Ви обрали інструмент виробництва компанії DEWALT. Ретельна розробка продукції, багаторічний досвід фірми у виробництві інструментів, різні вдосконалення, все це зробило інструменти DEWALT є одними із найнадійніших помічників для тих, хто використовує електричні інструменти у своїй професії.

## Технічні дані

		DCW692
Напруга	$V_{\text{пост. струму}}$	18
Тип		1
Тип батареї		Літій-іонна
Макс. вихідна потужність	Вт	900
Швидкість без навантаження	об/хв.	8000
Глибина різання, макс.	мм	20
Регулювання глибини занурення	мм	8/10/12 (для шкантів 0/10/20)
Діаметр фрези	мм	102
Ширина фрези	мм	4
Маса	кг	2,5

Значення рівня шуму та вібрації (сума трьох векторів) відповідно до стандарту EN60745-2-19:

$L_{PA}$ (рівень тиску звукового випромінювання)	дБ(A)	84
$L_{WA}$ (рівень звукової потужності)	дБ(A)	95
K (похибка для даного рівня звукового тиску)	дБ(A)	3
Основна ручка		
Значення вібрації $a_H$	$m/s^2$	1,5
Похибка K	$m/s^2$	1,5

Значення вібрації та/або шуму, наведене в цьому документі, було виміряне згідно зі стандартизованим тестом, викладеним в EN62841 та може використовуватись для порівняння інструментів. Це значення вібрації можна також використовувати для попередньої оцінки впливу вібрації.



**ПОПЕРЕДЖЕННЯ:** Заявлене значення вібрації та/або шуму відповідає вимогам цільового використання інструмента. Однак якщо інструмент використовується для виконання інших завдань, або з іншими витратними матеріалами/насадками, або не обслуговується належним чином, значення вібрації та/або шуму може відхилитися. Це може значно збільшити рівень впливу протягом усього періоду роботи.

Оцінка рівня впливу вібрації та/або шуму має враховувати час, протягом якого інструмент

є вимкненим, а також час, протягом якого він є ввімкненим, але не використовується. Це може значно зменшити рівень впливу протягом усього періоду роботи.

Визначення додаткових заходів безпеки для захисту оператора від впливу вібрації та/або шуму: технічне обслуговування інструмента та приладдя, утримання рук у теплі (має значення для вібрації), організація режиму роботи.

## Декларація про відповідність ЄС

## Директива для механічного обладнання



## Ламельний фрезер DCW692

Компанія DEWALT заявляє, що ці вироби, описані у розділі «Технічні дані», відповідають:

2006/42/EC, EN60745-1:2009+A11:2010, EN60745-2-19:2009+A1:2010.

Ці вироби також відповідають вимогам Директив 2014/30/EU та 2011/65/EU. Для отримання додаткової інформації зверніться до компанії DEWALT за наступною адресою або прочитайте інформацію на зворотній стороні цього керівництва.

Нижчепідписаний несе відповідальність за упорядкування файлу технічних характеристик та робить цю заяву від компанії DEWALT.

Маркус Ромпель (Markus Rompel)  
технічний директор, PTE-Europe  
DEWALT, Richard-Klinger-Straße 11,  
65510, Idstein, Німеччина  
15.02.2022



**ПОПЕРЕДЖЕННЯ:** Уважно прочитайте керівництво з експлуатації для зниження ризику отримання травм.

## Позначення: інструкції з техніки безпеки

Умовні позначення, наведені нижче, описують рівень важливості кожної попереджувальної вказівки. Прочитайте керівництво з експлуатації та зверніть увагу на символи, наведені нижче.



**НЕБЕЗПЕЧНО:** Указує на безпосередню загрозу, яка, якщо її не уникнути, призведе до смерті або серйозної травми.

Батареї				Зарядні пристрої/час зарядки (у хвиликах)**										
Кат. №	V <sub>ис</sub>	Ah	Маса (kg)	DCB104	DCB107	DCB112/ DCB1102	DCB113	DCB115/ DCB1104	DCB116	DCB117	DCB118	DCB132	DCB119	
DCB181	18	1.5	0.35	22	70	45	35	22	22	22	22	22	45	
DCB182	18	4.0	0.61	60/40**	185	120	100	60	60/45**	60/40**	60/40**	60	120	
DCB183/B/G	18	2.0	0.40	30	90	60	50	30	30	30	30	30	60	
DCB184/B/G	18	5.0	0.62	75/50**	240	150	120	75	75/60**	75/50**	75/50**	75	150	
DCB185	18	1.3	0.35	22	60	40	30	22	22	22	22	22	40	
DCB187	18	3.0	0.54	45	140	90	70	45	45	45	45	45	90	
DCB189	18	4.0	0.54	60	185	120	100	60	60	60	60	60	120	
DCBP034	18	1.7	0.32	27	82	50	40	27	27	27	27	27	50	
DCBP518	18	5.0	0.75	75	240	150	120	75	75	75	75	75	150	

\*Код дати 201811475В або пізніше

\*\*Код дати 201536 або пізніше

\*\*\*Battery charge times matrix provided for guidance only; charge times will vary depending on temperature and condition of batteries.



**ПОПЕРЕДЖЕННЯ:**

Вказує на потенційну загрозу, ігнорування якої **може** призвести до **смерті або серйозної травми**.



**УВАГА:** Вказує на потенційну загрозу, ігнорування якої **може** призвести до **травми легкої або середньої тяжкості**.

**ПРИМІТКА:** Вказує на ситуацію, **не пов'язану з особою травмою**, ігнорування цієї ситуації **може** призвести до **пошкодження майна**.



Вказує на ризик ураження електричним струмом.



Вказує на ризик виникнення пожежі.

## ЗАГАЛЬНІ ПРАВИЛА БЕЗПЕКИ ПРИ ЕКСПЛУАТАЦІЇ ЕЛЕКТРИЧНОГО ІНСТРУМЕНТА



**ПОПЕРЕДЖЕННЯ:** Ознайомтеся з усіма попередженнями, інструкціями з техніки безпеки, зображеннями та специфікаціями, які поставляються з даним електричним інструментом. Невиконання нижченаведених інструкцій може призвести до ураження електричним струмом, пожежі та/або серйозних тілесних ушкоджень.

### ЗБЕРІГАЙТЕ ВСІ ПОПЕРЕДЖЕННЯ ТА ІНСТРУКЦІЇ ДЛЯ ПОДАЛЬШОГО ВИКОРИСТАННЯ

Термін «електричний інструмент» в усіх попередженнях стосується використовуваних вами інструментів, що живляться від мережі енергопостачання (з електричним кабелем) або від акумуляторів (без кабелю).

#### 1) Безпека робочої зони

- Робоча зона завжди має бути чистою та добре освітленою.** Захаращена або темна робоча зона призводить до нещасних випадків.
- Не використовуйте електричні інструменти у вибухонебезпечній атмосфері, наприклад поруч із вогнебезпечними рідинами, газами та**

**пилем.** Електричні інструменти створюють іскри, що можуть запалити пил або пилу.

- Тримайте дітей та сторонніх подалі від част використання інструмента.** Відвернення уваги може призвести до втрати контролю.

#### 2) Електрична безпека

- Вилка електричного інструмента повинна відповідати розетці. Ніколи жодним чином не змінюйте вилку. Не використовуйте адаптери з замкнутими на землю (заземленими) електричними інструментами.** Немодифіковані вилки та розетки, що підходять до них, зменшують ризик ураження електричним струмом.
- Уникайте контакту тіла з заземленими поверхнями, такими як труби, радіатори, плити та холодильники.** Якщо ваше тіло заземлене, збільшується ризик ураження електричним струмом.
- Не залишайте електричні інструменти під дощем або в умовах підвищеної вологості.** Вода, що потрапляє в електричний інструмент, підвищує ризик ураження електричним струмом.
- Не використовуйте кабелів живлення не за призначенням. Ніколи не переносьте, не тягніть та не відключайте електричний інструмент від розетки живлення за допомогою шнура.** Тримайте шнур подалі від високих температур, мастила, гострих предметів та рухомих деталей. Пошкоджені або перекручені шнури підвищують ризик ураження електричним струмом.
- При використанні електричного інструмента на вулиці, використовуйте подовжувальний шнур, що підходить для використання на вулиці.** Використання шнура, що призначений для використання поза приміщенням, знижує ризик ураження електричним струмом.
- Якщо неможливо уникнути використання електричного інструмента в умовах підвищеної вологості, використовуйте**

живлення, захищене пристроєм залишкового струму (RCD). Використання RCD знижує ризик ураження електричним струмом.

### 3) Особиста безпека

- a) **Будьте в стані готовності, дивіться, що ви робите, та будьте розсудливі, працюючи з електричним інструментом. Не використовуйте електричний інструмент, коли ви втомлені або знаходитеся під впливом наркотичних речовин, алкоголю або ліків.** Втрата уваги під час роботи з електричним інструментами може призвести до серйозних травм.
- b) **Використовуйте особисті засоби безпеки. Завжди використовуйте засоби захисту очей.** Засоби безпеки, такі як протипилова маска, неслизькі безпечні черевки, захисний шолом та засоби захисту слухового апарату при використанні для відповідних умов зменшують імовірність особистих травм.
- c) **Уникайте випадкового запуску. Переконайтесь в тому, що вимикач знаходиться в позиції Вимк., перш ніж підключати інструмент до джерела живлення та/або акумулятора, переміщувати або переносити.** Може статися нещасний випадок, коли ви переносите інструмент, тримаючи палець на вимикачі, або підключаєте живлення до вимикача в позиції Увімк.
- d) **Зніміть усі ключі для регулювання або гайкові ключі, перш ніж вмикати електричний інструмент.** Гайковий ключ, що залишився прикріпленим до якоїсь деталі електричного пристрою, що обертається, може призвести до травм.
- e) **Не прикладайте надмірного зусилля. Завжди утримуйте правильну постановку ніг і рівновагу.** Це дає вам змогу краще контролювати інструмент в неочікуваних ситуаціях.
- f) **Одягайтеся відповідним чином. Не вдягайте вільний одяг або прикраси. Тримайте ваше волосся та одяг подалі від рухомих деталей.** Вільний одяг, прикраси або довге волосся можуть зачепитися за рухомі деталі.
- g) **Якщо передбачені пристрої для підключення до засобів виділення та збирання пилу, переконайтесь, що вони правильно підключені та використовуються.** Використання таких пристроїв зменшує ризик виникнення небезпечних ситуацій, що пов'язані з потраплянням пилу.
- h) **Навіть якщо ви добре знаєте інструмент та часто його використовуйте, не розслабляйтесь та не забувайте про принципи техніки безпеки.** Необережні дії можуть за долю секунди призвести до важких тілесних ушкоджень.

### 4) Використання електричного інструмента та догляд за ним

- a) **Не прикладайте надмірних зусиль під час роботи з інструментом. Використовуйте електричний інструмент, який відповідає завданню, що виконується.** Правильно обраний інструмент виконає завдання краще та безпечніше за умов, для яких він був розроблений.
- b) **Не використовуйте інструмент, якщо його неможливо ввімкнути та вимкнути за допомогою вимикача.** Будь-який електричний інструмент, яким неможливо керувати за допомогою вимикача, є небезпечним і має бути відремонтований.
- c) **Якщо вилка знімна, відключіть її від джерела живлення та/або вийміть акумулятор, перш ніж виконувати будь-які налаштування, змінювати додаткове обладнання або зберігати інструмент.** Ці профілактичні заходи зменшують ризик випадкового запуску електричного інструмента.
- d) **Зберігайте вимкнені електричні інструменти в недоступному для дітей місці та не дозволяйте особам, що не знайомі з електричним інструментом або цими інструкціями, використовувати електричний інструмент.** Електричні інструменти є небезпечними, якщо вони використовуються некваліфікованими користувачами.
- e) **Технічне обслуговування електричних інструментів та приладдя. Перевіряйте неспівісність, заїдання рухомих деталей, наявність пошкоджених частин та інших факторів, які можуть впливати на роботу електричного інструмента.** Якщо є пошкодження, відремонтуйте електричний інструмент перед використанням. Нещасні випадки часто є результатом того, що інструмент не пройшов відповідного технічного обслуговування.
- f) **Різальні інструменти мають бути гострими та чистими.** Правильно доглянуті різальні інструменти з гострими різальними кромками мають меншу імовірність заїдання, та ними легше керувати.
- g) **Використовуйте електричний інструмент, додаткові інструменти та деталі інструменту тощо у відповідності до цих інструкцій та відповідно до даного типу електричних інструментів, зважаючи на умови використання та роботу, яка має бути виконана.** Використання електричних інструментів не за призначенням може призвести до виникнення небезпечних ситуацій.
- h) **Всі ручки та поверхні для тримання інструмента мають бути сухими, без залишків мастила.** Слизькі ручки та поверхні для тримання не дозволяють безпечно

працювати та контролювати інструмент у неочікуваних ситуаціях.

## 5) Використання та догляд за інструментом, що живиться від акумулятора

- a) **Заряджайте інструмент лише за допомогою зарядного пристрою, вказаного виробником.** Зарядний пристрій, що підходить до одного типу акумуляторів, може призвести до пожежі в разі використання з іншим акумулятором.
  - b) **Використовуйте електричні інструменти лише з призначеними для них акумуляторами.** Використання інших акумуляторів може призвести до травм або пожежі.
  - c) **Коли акумулятори не використовуються, зберігайте їх подалі від металевих предметів, як скріпки, монети, ключі, цвяхи, гвинти або інші невеликі предмети, що можуть призвести до замикання двох контактів.** Коротке замикання клем акумулятора може призвести до вибуху або пожежі.
  - d) **За невідповідних умов використання рідина може витікати з акумулятора; уникайте контакту з цією рідиною.** Якщо контакт таки стався, промийте забруднену ділянку водою. Якщо рідина потрапила в очі, промийте водою та зверніться до лікаря. Рідина, що витікає з акумулятора, може призвести до подразнень та опіків.
  - e) **Не використовуйте пошкоджений або модифікований акумулятор або інструмент.** Пошкоджені або модифіковані акумулятори можуть поводити себе непередбачуваним чином, призводячи до пожежі, вибуху або тілесним ушкодженням.
  - f) **Не піддавайте акумулятор та інструмент дії вогню та надмірних температур.** Дія вогню або температури вище 130 °C може спричинити вибух.
  - g) Виконуйте всі інструкції щодо зарядки; **заряджайте акумулятор та інструмент тільки в межах температурного діапазону, вказаного в інструкціях.** Неналежна зарядка або зарядка поза межами вказаного температурного діапазону може пошкодити акумулятор та підвищити ризик пожежі.
- ## 6) Обслуговування
- a) **Надавайте ваш електричний інструмент для обслуговування кваліфікованим спеціалістом з ремонту та використовуйте тільки ідентичні заміні деталі.** Це забезпечить безпеку електричного пристрою.
  - b) **Ніколи не обслуговуйте пошкоджені акумулятори самостійно.** Обслуговування акумуляторів мають виконувати представники виробника або працівники офіційного сервісного центру.

## Додаткові спеціальні правила безпеки для ламельних фрезерів

- **Дискові фрези повинні бути розраховані на швидкість не меншу за ту, що вказана на інструменті.** Дискові фрези при обертанні на швидкості, що перевищує їх номінальну швидкість, можуть зірватися й спричинити травму.
- **Завжди використовуйте захисний кожух.** Захисний кожух захищає оператора від уламків дискової фрези та ненавмисного контакту з дисковою фрезєю.
- **Тримайте електричний інструмент за ізолювану поверхню для тримання під час виконання операції, коли різальне приладдя може торкнутися схованої проводки.** Різучі елементи при контакті з дротом під напругою можуть призвести до появи напруги в інструменті та ураження оператора електричним струмом.
- **МАКСИМАЛЬНО допустимий діаметр дискової фрези – 102 мм.**
- **НЕ використовуйте тупі або пошкоджені дискові фрези.**
- **Перед використанням перевірте правильність роботи системи втягування захисного кожуха.**
- **Використовуйте респіратор.** Вплив пилових частинок може призвести до утруднення дихання та можливості травм.
- **Перед підключенням до електромережі обов'язково переконайтеся, що електроінструмент вимкнено.**
- **Не вимикайте інструмент, доки лезо не почне вільно рухатися.**
- **Перед початком роботи видаліть з деталі всі цвяхи та металеві предмети.**
- **Після вимкнення ніколи не намагайтеся зупинити лезо, натискаючи на нього збоку.**
- **Інструмент можна використовувати лише для різання дерева чи пластику.**
- **Переконайтеся, що всі пристрої, що екранують лезо, знаходяться у ідеальному робочому стані.**
- **Ніколи не кладіть інструмент на стіл або робочий верстак, якщо ви перед цим не вимкнули його.**
- **Використовуйте лише леза, що відповідають вимогам, наведеним у цьому посібнику з експлуатації.**
- **Не використовуйте леза з високолегованої швидкорізальної сталі (HSS-сталь).** Найкращі результати досягаються при використанні лез з твердосплавними насадками або  $CrV$ .
- **Слід використовувати лише гострі леза в ідеальному робочому стані.** Потріскані або зігнуті леза слід викинути й негайно замінити.
- **Переконайтеся, що лезо надійно закріплене та обертається у правильному напрямку.**
- **Коли інструмент починає швидко зупинятися і повертається до оператора, виникає віддача.** Негайно відпустіть вимикач, якщо лезо заклинило або інструмент зайло.



- *Леза мають бути гострим.*
- *Підтримуйте великі панелі поруч із зоною різання.*
- *Не виймайте інструмент із заготовки під час виконання різання, коли лезо обертається. Відпустіть вимикач і зачекайте, доки лезо зупиниться.*

## Залишкові ризики

Дотримання всіх правил техніки безпеки та застосування пристроїв безпеки не гарантує уникнення певних залишкових ризиків. До такого переліку належать:

- *Порушення слуху.*
- *Ризик травми при заміні диска.*
- *Ризик вдихання пилу від матеріалів, які можуть бути небезпечними при розрізанні.*

## Зарядні пристрої

DeWALT не вимагають налаштувань і розроблені для максимально простого використання.

### Електрична безпека

Електричний двигун розроблений для роботи лише з одним значенням напруги. Завжди перевіряйте, що напруга акумулятора відповідає напрузі, що вказана в технічних даних. Також переконайтесь, що напруга зарядного пристрою відповідає напрузі мережі живлення.



Ваш DeWALT Ваш зарядний пристрій виробництва компанії DeWALT має подвійну ізоляцію відповідно до EN60335; тому заземлення не є необхідним.

Якщо кабель живлення пошкоджений, його необхідно замінити на спеціальний кабель, який можна замовити в офіційних сервісних центрах DeWALT. організація обслуговування.

### Використання електричного подовжувача

Використовуйте подовжувальний шнур лише за абсолютної необхідності. Використовуйте лише рекомендований подовжувальний шнур, що відповідає споживаній потужності вашого зарядного пристрою (див. **Технічні дані**). Мінімальний розмір сичення провідника становить 1 мм<sup>2</sup>; максимальна довжина — 30 м.

При використанні кабельного барабану завжди витягуйте весь кабель.

### Важливі інструкції з техніки безпеки для всіх зарядних пристроїв

**ЗБЕРЕГАЙТЕ ЦІ ІНСТРУКЦІЇ:** У цьому керівництві містяться важливі інструкції з техніки безпеки та використання для сумісних зарядних пристроїв (див. «Технічні дані»).

- *Перед використанням зарядного пристрою прочитайте всі інструкції та попередження на зарядному пристрої, акумуляторах та продукті, для якого ці акумулятори використовуються.*



**ПОПЕРЕДЖЕННЯ:** *Небезпека ураження електричним струмом. Не допускайте потрапляння рідини в зарядний пристрій. Це може призвести до ураження електричним струмом.*



**ПОПЕРЕДЖЕННЯ:** *Ми рекомендуємо використовувати пристрій з керуванням диференційним струмом з номінальним значенням диференційного струму 30 мА або менше.*



**УВАГА:** *Небезпека опіку. Для зниження ризику виникнення травм заряджайте лише акумулятори DeWALT. акумуляторні батареї. Інші типи акумуляторів можуть вибухнути, спричинивши тілесні ушкодження та пошкодження майна.*



**УВАГА:** *Уважно слідкуйте за тим, щоб діти не гралися з пристроєм.*

**ПРИМІТКА:** *За певних умов, коли зарядний пристрій підключений до мережі живлення, незахищені контакти всередині зарядного пристрою можуть замкнутися будь-яким стороннім предметом. Сторонні предмети, що проводять струм, наприклад металева стружка, алюмінієва фольга або будь-які металеві деталі, необхідно зберігати подалі від зарядного пристрою. Завжди відключайте зарядний пристрій від розетки, коли батарея не встановлена в зарядний пристрій. Відключіть зарядний пристрій від мережі живлення перед його очищенням*

- **НЕ намагайтеся заряджати акумулятор зарядними пристроями, що не вказані в цьому керівництві.** Зарядний пристрій та акумулятори даної моделі розроблені для сумісної експлуатації.
- **Ці зарядні пристрої не призначені ні для чого іншого, крім зарядки акумуляторів DeWALT акумуляторні батареї.** Використання з іншими акумуляторами може призвести до виникнення пожежі або ураження електричним струмом.
- **Не піддавайте зарядний пристрій впливу дощу або снігу.**
- **При відключенні зарядного пристрою від мережі живлення тягніть за вилку, а не за кабель.** Це зменшить ризик пошкодження вилки та кабелю.
- **Переконайтесь, що кабель розміщений так, щоб на нього не наступали, не ходили по ньому та не піддавали його іншим фізичним впливам.**
- **Не використовуйте подовжувальний шнур окрім випадків, коли це абсолютно необхідно.** Використання невідповідних подовжувальних шнурів може призвести до пожежі або ураження електричним струмом.
- **Не кладіть будь-які предмети на зарядний пристрій та не залишайте зарядний пристрій на м'якій поверхні, що може заблокувати вентиляційні отвори та призвести до надмірного нагрівання.** Розташуйте зарядний пристрій подалі від джерел тепла. Зарядний пристрій вентилюється крізь отвори у верхній та нижній частинах корпусу.
- **Не використовуйте зарядний пристрій із пошкодженим кабелем або вилкою** — їх потрібно негайно замінити.

- **Не використовуйте зарядний пристрій, якщо той отримав різкий удар, впавав або був пошкоджений іншим чином.** Віднесіть його до авторизованого сервісного центру.
- **Якщо зарядний пристрій вимагає технічного обслуговування або ремонту, не розбирайте його самотужки, а віднесіть до авторизованого сервісного центру.** Невідповідні способи використання можуть призвести до виникнення пожежі або ураження електричним струмом.
- Якщо кабель живлення пошкоджено, для уникнення небезпеки його необхідно негайно замінити, звернувшись до виробника, спеціаліста сервісного центру або іншого кваліфікованого спеціаліста.
- **Відключайте зарядний пристрій від розетки перед його очищенням. Це дозволяє знизити ризик ураження електричним струмом.** Видалення акумулятора не знижує ризик.
- **НИКОЛИ не намагайтесь з'єднувати два зарядні пристрої.**
- **Цей зарядний пристрій розрахований на роботу зі стандартною напругою побутової електромережі 230 В. Не намагайтесь використовувати його з іншою напругою.** Це не стосується автомобільних зарядних пристроїв.


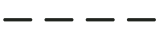




### Зарядка акумулятора (Рис. [Fig.] В)

1. Підключіть зарядний пристрій до відповідної розетки перед встановленням акумулятора.
2. Вставте акумулятор **12** у зарядний пристрій до упору. Червоний індикатор («зарядка») буде блимати, вказуючи на початок процесу зарядки.
3. Коли зарядку завершено, червоний індикатор горить, не блимаючи. Це означає, що акумулятор повністю заряджений та може використовуватися одразу або залишатися в зарядному пристрої. Щоб витягнути акумулятор із зарядного пристрою, натисніть кнопку деблокування **13** на акумуляторі.

**ПРИМІТКА:** щоб забезпечити максимальну продуктивність та тривалість роботи літій-іонного акумулятора, повністю зарядіть його перед першим використанням.

### Робота зарядного пристрою

Нижче описані індикатори стану зарядки акумулятора.

Індикатори зарядки	
 Заряджається	
 Повністю заряджений	
 Затримка через надмірно високу/низьку температуру акумулятора*	

\*Червоний індикатор буде продовжувати миготіти, а жовтий індикатор буде горіти під час виконання цього завдання. Коли акумулятор досягне прийнятної температури,

жовтий індикатор згасне, а зарядний пристрій відновить процес зарядки.

Сумісний зарядний пристрій не буде заряджати несправний акумулятор. Зарядний пристрій розпізнає несправну батарею та не ввімкне світловий індикатор.

**ПРИМІТКА:** Це також може свідчити про проблему з зарядним пристроєм.

Якщо виявлено проблему із зарядним пристроєм, віднесіть зарядний пристрій та акумулятор для перевірки в авторизований сервісний центр.

### Затримка через надмірно високу/низьку температуру акумулятора

Якщо зарядний пристрій визначає, що акумулятор є надмірно гарячим або холодним, він автоматично вмикає режим температурної затримки, припиняючи процес зарядки, доки акумулятор не досягне відповідної температури. Після досягнення прийнятної температури зарядний пристрій автоматично перемикається в режим зарядки акумулятора. Ця функція забезпечує максимальний термін служби акумулятора.

Холодний акумулятор буде заряджатися повільніше порівняно з теплим акумулятором. Такий акумулятор буде заряджатися повільніше протягом всього циклу зарядки та не повернеться до максимального значення зарядки, навіть якщо нагріється.

Зарядний пристрій DCB118 оснащений внутрішнім вентилятором, призначеним для охолодження акумулятора. Вентилятор автоматично вмикається, коли акумулятор потребує охолодження. Ніколи не використовуйте зарядний пристрій, якщо вентилятор працює неналежним чином або вентиляційні отвори заблоковані. Уникайте потрапляння сторонніх предметів усередину зарядного пристрою.

### Електронна система захисту

Інструменти з літій-іонними акумуляторами XR розроблені з використанням електронної системи захисту, яка захищає акумулятор від перевантаження, перегрівання або глибокої розрядки.

Пристрій автоматично вимикається, якщо спрацював електронна система захисту. Якщо це сталося, встановіть літій-іонний акумулятор в зарядний пристрій до повної зарядки.

### Кріплення на стіну

Ці зарядні пристрої можна закріпити на стіні, чи поставити на стіл або іншу робочу поверхню. При кріпленні на стіну розташуйте зарядний пристрій недалеко від електричної розетки, а також подалі від кутів та інших перешкод, що заважають повітряному потоку. Скористайтесь задньою частиною зарядного пристрою в якості шаблону для розташування кріпильних гвинтів на стіні. Надійно зафіксуйте зарядний пристрій за допомогою шурупів (потрібно придбати окремо) довжиною приблизно 25,4 мм з голівкою діаметром 7–9 мм, що закручуються в дерев'яну поверхню до оптимальної глибини, щоб залишилося приблизно 5,5 мм. Вирівняйте отвори на задній поверхні зарядного пристрою

з виступаючими шурупами, після чого повністю вставте шурупи в отвори.

## Інструкції з очищення зарядного пристрою



**ПОПЕРЕДЖЕННЯ: Небезпека ураження електричним струмом. Відключіть зарядний пристрій від розетки змінного струму перед його очищенням.** Бруд та жир можна видалити з поверхні зарядного пристрою за допомогою ганчірки або м'якої неметалевої щітки. Не використовуйте воду та мийні розчини. Не дозволяйте рідині потрапляти всередину інструмента та ніколи не занурюйте деталі інструмента в рідину.

## Акумулятор

### Важливі інструкції з техніки безпеки для різних типів акумуляторів

При замовленні змінних акумуляторів не забудьте вказати номер за каталогом та напругу.

Новий акумулятор зарядженим не повністю. Перед використанням акумулятора та зарядного пристрою прочитайте всі нижче наведені інструкції з техніки безпеки. Після цього виконайте всі вказані пункти процедури зарядки.

### ПРОЧИТАЙТЕ ВСІ ІНСТРУКЦІЇ

- **Не заряджайте та не використовуйте акумулятор у вибухонебезпечних умовах, наприклад в присутності легкозаймистих рідин, газів або пилу.** Під час встановлення або виймання батареї з зарядного пристрою може спалахнути пил або пара.
- **На прикладайте зусилля, вставляючи акумулятор в зарядний пристрій. Жодним чином не модифікуйте акумулятор, аби встановити його в несумісний зарядний пристрій, адже акумулятор може розірватися та спричинити серйозні травми.**
- Використовуйте тільки зарядні пристрої DeWALT для заряджання акумуляторів.
- **НЕ занурюйте акумулятор у воду та інші рідини та не бризкайте на нього.**
- **Не зберігайте та не використовуйте інструмент та акумулятор у місцях, де температура може сягати або перевищувати 40 °C (104 °F) (наприклад, біля гаражів або металевих будівель влітку).**
- **Не спалюйте акумулятор, навіть якщо він сильно пошкоджений або повністю зношений.** Акумулятор може вибухнути у вогні. Коли літій-іонні акумулятори горять, утворюються токсичні випаровування та речовини.
- **Якщо вміст акумулятора потрапив на шкіру, негайно промийте це місце м'яким милом та водою.** Якщо рідина з акумулятора потрапила в очі, промийте відкрите око протягом 15 хвилин або доки подразнення не зникне. Якщо необхідно звернутися до лікаря, акумуляторний електроліт складається з суміші рідких органічних вуглекислих солей та солей літію.

- **Вміст відкритого акумулятора може спричинити подразнення дихальних шляхів.** Видіть на свіже повітря. Якщо симптоми не зникнуть, зверніться до лікаря.



**ПОПЕРЕДЖЕННЯ: Небезпека опіку.** Рідина з акумулятора може спалахнути, якщо на неї потрапить іскра або полум'я.



**ПОПЕРЕДЖЕННЯ: За жодних умов не намагайтесь відкрити акумулятор.** За будь-якого пошкодження акумулятора не встановлюйте його у зарядний пристрій. Не бийте, не кидайте та не пошкоджуйте акумулятор. Не використовуйте акумулятор та зарядний пристрій, якщо ті отримали різкий удар, впали або були пошкоджені іншим чином (наприклад, були проколоті цвяхом, вдарені молотком, на них наступили). Це може призвести до ураження електричним струмом. Пошкоджені акумулятори необхідно повернути до сервісного центру для переробки.



**ПОПЕРЕДЖЕННЯ: Небезпека виникнення пожежі. Зберігайте та переносіть акумулятор так, щоб металеві предмети не торкалися його відкритих контактів.** Наприклад, не кладіть акумулятор у фартух, кишені, ящики з інструментами, коробки з наборами приладдя, шухляди тощо, де можуть бути цвяхи, гвинти, ключі тощо.



**УВАГА: Коли інструмент не використовується, залишайте його на боці на стабільній поверхні в такому місці, де через нього не можна перечепитися та впасти.** Деякі інструменти з великими акумуляторами можуть стояти на батареї, але їх можна легко перекинути.

## Транспортування



**ПОПЕРЕДЖЕННЯ: Небезпека виникнення пожежі.** Під час перевезення акумуляторів може виникнути пожежа, якщо контакти акумулятора випадково ввійдуть в контакт з електропровідним матеріалом. Під час перевезення акумуляторів переконайтесь, що їхні контакти захищені та добре ізольовані від матеріалів, які можуть увійти з ними в контакт та викликати коротке замикання.  
**ПРИМІТКА:** При перевезенні літій-іонних акумуляторів не можна здавати їх в багаж.

Акумулятори DeWALT відповідають всім нормам перевезення, описаним у галузевих та законодавчих положеннях, включно з рекомендаціями ООН про перевезення небезпечних вантажів, правилами перевезення небезпечних вантажів Міжнародної організації повітряного транспорту (IATA), міжнародними правилами перевезення небезпечних вантажів водним транспортом (IMDG) та Європейській угоді про міжнародне дорожнє перевезення небезпечних вантажів (ADR). Літій-іонні елементи живлення та акумулятори були перевірені відповідно до розділу 38.3 керівництва з тестів та критеріїв щодо перевезення небезпечних вантажів Рекомендацій ООН.

У більшості випадків перевезення акумуляторів DEWALT може бути класифіковано як перевезення небезпечних речовин, що повністю підпадають під клас 9. Згалом тільки вантажі, що містять літій-іонні акумулятори ємністю більше за 100 ват-годин (Вт-год.), вимагають транспортування відповідно до норм перевезення небезпечних речовин, що повністю підпадають під Клас 9. На всі літій-іонні акумулятори нанесено значення ват-годин. Крім того, через складності законодавчих норм компанія DEWALT не рекомендує транспортування окремо літій-іонних акумуляторів повітряним транспортом, незалежно від показника ват-годин. Перевезення інструментів з акумуляторами (у комплекті) можна виконувати повітряним транспортом, якщо значення ват-годин не перевищує 100 Вт-год.

Незалежно від того, чи вантаж вважається виключеним або повністю регламентованим, вантажовідправник несе відповідальність за відповідність останнім нормам щодо вимог до упаковки, етикеток/маркування та документації. Інформація, що наводиться у цьому розділі керівництва, сумлінно перевірена та вважається дійсною на момент складання документації. Проте чинні нормативи можуть підлягати змінам. Покупець несе відповідальність за те, щоб його дії відповідали певним нормам.

### Рекомендації щодо зберігання

1. Найкращим місцем для зберігання інструмента є прохолодне сухе місце, куди не потрапляють прямі сонячні промені та немає доступу тепла та холоду. Для оптимальної продуктивності та терміну служби батарей зберігайте їх за кімнатної температури, коли вони не використовуються.
2. При тривалому зберіганні для оптимального результату рекомендується помістити повністю заряджений акумулятор у сухе прохолодне місце поза зарядним пристроєм.

**ПРИМІТКА:** Не рекомендується зберігати акумулятор повністю розрядженим. Акумулятор потрібно перезарядити перед використанням.

### Етикетки на зарядному пристрої та акумуляторі

Крім символів, що використовуються у цьому керівництві, етикетки на зарядному пристрої та акумуляторі можуть містити наведені нижче позначки.



Прочитайте інструкції цього керівництва перед використанням.



Див. розділ «Технічні дані» щодо часу зарядки.



Не торкайтеся електропровідними предметами.



Не заряджайте пошкоджені акумулятори.



Не піддавайте впливу води.



Негайно замінійте пошкоджений дрід живлення.



Заряджайте акумулятор за температури 4–40 °C.



Лише для використання в приміщенні.



Утилізуйте акумулятори з належною турботою про навколишнє середовище.



Заряджайте акумулятори DEWALT лише за допомогою спеціальних зарядних пристроїв DEWALT. Зарядка інших акумуляторних батарей, ніж призначені DEWALT, у зарядному пристрої DEWALT може призвести до їх вибуху або інших небезпечних ситуацій.



Не спляйте акумулятори.

### Тип акумулятора

Пристрій DCW692 працює від акумулятора потужністю 18 вольт.

Для експлуатації придатні акумулятори наступних моделей: DCB181, DCB182, DCB183, DCB183B, DCB184, DCB184B, DCB185, DCB187, DCB189, DCBP034. Див. додаткову інформацію у розділі **Технічні дані**.

### Комплект поставки

До комплекту входить:

- 1 Ламельний фрезер
- 1 Пилосбірник
- 2 Пилові адаптери
- 1 Штифтовий гайковий ключ
- 1 Ключ T20 Torx
- 1 Літій-іонний акумулятор (моделі C1, D1, G1, L1, M1, P1, S1, T1, X1, Y1)
- 2 Літій-іонні акумулятори (моделі C2, D2, G2, L2, M2, P2, S2, T2, X2, Y2)
- 3 Літій-іонні акумулятори (моделі C3, D3, G3, L3, M3, P3, S3, T3, X3, Y3)
- 1 Посібник з експлуатації

**ПРИМІТКА.** Акумулятори, зарядні пристрої та коробки для зберігання не входять до комплекту моделей N. Акумулятори та зарядні пристрої не входять до комплекту моделей NT. Моделі B включають акумулятори для приладів з підтримкою Bluetooth®.

**ПРИМІТКА.** Текстовий знак та логотипи Bluetooth® є зареєстрованими товарними знаками, що належать компанії Bluetooth®, SIG, Inc. Будь-яке використання таких знаків компанією DEWALT здійснюється згідно з ліцензією. Інші торгові марки й торгові назви належать відповідним власникам.

- Перевірте інструмент, деталі та приладдя на пошкодження, що могли виникнути під час транспортування.
- Перед використанням уважно прочитайте та повністю зрозумійте цей посібник.

## Маркування на інструменті

На інструменті є наступні піктограми:



Прочитайте інструкції цього посібника перед використанням.



Використовуйте засоби захисту слуху.



Використовуйте засоби захисту очей



Діаметр пильного диска

## Розташування коду дати (Рис. В)

Код дати **20**, що включає також рік виробництва, зазначений на корпусі.

Приклад:

2020 XX XX

Рік виробництва

## Опис (рис. А)



**УВАГА!** Ніколи не модифікуйте електричні інструменти або їх деталі. Це може призвести до пошкодження майна або тілесних ушкоджень.

- 1 Клавішний вимикач
- 2 Перемикач блокування
- 3 Допоміжна ручка
- 4 Регулятор висоти напрямної
- 5 Вихідний отвір для видалення пилю
- 6 Регульована напрямна
- 7 Протиковзні штифти
- 8 Ручка регулювання глибини занурення
- 9 Ручка регулювання висоти напрямної
- 10 Фіксатор шпінделя
- 11 Ручка фіксації регульованої напрямної
- 12 Акумуляторна батарея
- 13 Розблокування акумулятора

## Сфера застосування

Ваш ламельний фрезер розроблений для виготовлення плоских штифтових з'єднань у деревині та дерев'яних виробів.

**НЕ** використовуйте за умов підвищеної вологості або в присутності легкозаймистих рідин та газів.

Цей ламельний фрезер є професійним електричним інструментом.

**НЕ** дозволяйте дітям підходити на небезпечну відстань і торкатися інструмента. Використання інструмента недосвідченими операторами потребує нагляду.

- **Діти та хворі люди.** Цей пристрій не призначений для експлуатації дітьми та особами з обмеженими розумовими та фізичними можливостями без стороннього контролю.
- Цей пристрій не призначений для використання особами (включаючи дітей) із зниженими фізичними, сенсорними або розумовими можливостями або особами, яким бракує досвіду або знань за винятком випадків, коли такі особи працюють під наглядом особи, яка несе відповідальність за їх безпеку. Не можна залишати дітей наодинці з цим приладом.

## МОНТАЖ ТА НАЛАШТУВАННЯ



**ПОПЕРЕДЖЕННЯ:** Щоб знизити ризик серйозних тілесних ушкоджень, вимкніть інструмент та відключіть акумулятор перед виконанням будь-яких налаштувань або змінням/встановленням додаткового обладнання або приладдя. Випадковий запуск може призвести до травм.



**ПОПЕРЕДЖЕННЯ:** Використовуйте тільки DeWALT акумулятори та зарядні пристрої.

## Установка акумулятора в інструмент та його виймання (Рис. В)

**ПРИМІТКА.** Переконайтесь, що ваш акумулятор **12** повністю заряджений.

### Для встановлення акумулятора у ручку інструмента

1. Вирівняйте акумулятор **12** по напрямних у ручці інструменту (Рис. В).
2. Вставте акумулятор у ручку до упору та переконайтесь, що ви почули звук клацання акумулятора, що став на місце.

### Виймання акумулятора з інструмента

1. Натисніть кнопку розблокування **13** та витягніть акумулятор з ручки інструмента.
2. Вставте акумулятор у зарядний пристрій, як описано у розділі щодо зарядного пристрою цього керівництва.

### Акумулятори з індикатором рівня заряду (Рис. В)

Деякі акумулятори DeWALT оснащені індикатором заряду з трьох зелених світлодіодів, що вказують рівень заряду акумулятора, що залишився.

Щоб увімкнути індикатор заряду, натисніть та утримуйте кнопку індикатора заряду **14**. Три зелені світлодіоди будуть горіти відповідним чином, відображуючи рівень зарядки акумулятора. Коли рівень заряду акумулятора нижче відповідного ліміту, індикатор рівня заряду не горить, а акумулятор потрібно зарядити.

**ПРИМІТКА:** Індикатор рівня зарядки показує лише рівень зарядки, що залишився в акумуляторі. Він не показує функціональність інструмента, а його показники можуть змінюватись відповідно до комплектності інструмента, температури та способу застосування.

## Регульована напрямна (рис. D1, D2)

Регульована напрямна **6** дозволяє точно встановити точку вирізання пазів для шкантів. Встановлення висоти напрямної:

1. Послабте ручку фіксації висоти напрямної **9**.
2. Встановіть регулятор висоти **4** відповідно до вимог. Коли напрямна встановлена на 90°, шкала під ручкою блокування показує відстань між центром фрези та поверхнею напрямної.
3. Затягніть ручку фіксатора.

### Установка кута напрямної

1. Послабте ручку фіксації регульованої напрямної **11**.
2. Нахиліть напрямну на потрібний кут.
3. Затягніть ручку фіксації регульованої напрямної.

Для усунення можливих похибок у розмірі пазів для шкантів використовується точне регулювання.

### Маркування на основі ламельного фрезера

При роботі без напрямної, наприклад, при створенні Т-подібних з'єднань, ви можете використовувати пази на основі ламельного фрезера для правильного вирівнювання інструменту.

1. Встановіть напрямну в положення 0°, як описано вище.
2. Для заготовок товщиною 19 мм використовуйте край основи як орієнтир для центрування.
3. Для інших заготовок для вирівнювання інструменту використовуйте червону осьову мітку.
4. Два пази показують довжину розрізу. Щоб не зламати заготовку, слідкуйте за тим, щоб заготовка виступала за ці пази.

## Регулювання глибини занурення (рис. E)

Глибина занурення має бути встановлена відповідно до розміру шканта. Числа 0, 10 та 20 на ручці регулювання глибини відповідають розміру шканта. Літера M позначає максимальну глибину різання приблизно 20 мм.

- Поверніть ручку регулювання глибини **8** у потрібне положення, поєднавши відповідне число з червоною стрілкою на інструменті.

### Точне регулювання глибини занурення (рис. F)

Для усунення можливих похибок у розмірі пазів для шкантів використовується точне регулювання.

1. Підніміть напрямну **6** у крайнє верхнє положення, як описано вище.
2. Вставте ключ T20 Torx, як показано на рисунку, та за необхідності відрегулюйте глибину занурення, повертаючи гвинт **23** (повертайте за годинниковою стрілкою для зменшення глибини занурення). Кожен повний оберт призводить до зміни глибини на 1 мм.
3. Перевірте налаштування, зробивши пробний пропил у обрідках деревини.

## Протиковзні штифти (рис. G)

Протиковзні штифти **7** допомагають зменшити ковзання ламельного фрезера вліво під час різання. При роботі з

видимими частинами заготовки ви можете захотіти втягнути їх, щоб уникнути подряпин.

1. Щоб втягнути штифти, поверніть їх за годинниковою стрілкою за допомогою глоскої викрутки.
2. Щоб знову використовувати штифти, злегка поверніть їх проти годинникової стрілки.

## Заміна леза (рис. H, I, J)



### УВАГА!

- Переконайтеся, що зубці фрези спрямовані проти годинникової стрілки, як показано на рисунку (рис. I).
- Після заміни леза завжди перевіряйте глибину різання та за необхідності регулюйте.
- Не використовуйте леза більшого або меншого діаметру, ніж рекомендовано. Зверніться до технічних даних, щоб дізнатися, яке лезо вам потрібно.
- Використовуйте лише леза, що вказані в цьому посібнику та відповідають стандарту EN847-1.

1. Відкрутіть чотири гвинти з головкою T20 Torx **15** з опорної пластини та зніміть кришку.
2. Натисніть на фіксатор шпінделя **10** та зніміть фланець, повернувши його проти годинникової стрілки.
3. Замініть лезо, переконавшись, що зубці фрези спрямовані проти годинникової стрілки.
4. Надійно затягніть фланець, повернувши його за годинниковою стрілкою та утримуючи фіксатор шпінделя у натиснутому положенні.
5. Встановіть кришку й затягніть гвинти з шестигранною головкою.



## Видалення пилу (рис. J1, J2)

За допомогою відповідного адаптера можна підключити як пилосбірник, так і пилосос.

### Пилосос

1. Вставте відповідний адаптер **16** або **17** у вихідний отвір для видалення пилу **5**.
2. Підключіть шланг пилососа до адаптера.

### Пилосбірник

1. Вставте прямий адаптер **16** у вихідний отвір для видалення пилу **5**.
2. Прикріпіть пилосбірник **15** до адаптера.
3. За можливості підключайте пристрій для видалення пилу, розроблений відповідно до норм щодо видалення пилу.

## Підключення пилососа, сумісного з AirLock™ (рис. K3)



**УВАГА!** При видаленні пилу випорожнюйте пилосос перед початком роботи та регулярно під час роботи. Будьте обережні при утилізації пилу.

*Пил може становити небезпеку для здоров'я при вдиханні, проковтуванні або потрапленні на шкіру. Матеріали у дрібному пилу можуть бути вибухонебезпечними.*

Ваш інструмент сумісний з системою підключення DEWALT AirLock™. AirLock™ забезпечує швидке і надійне з'єднання між роз'ємом AirLock™ **21** і прямим адаптером **16**.

1. Зніміть акумулятор.
2. Переконайтеся, що манжета на роз'ємі AirLock™ знаходиться в розблокованому положенні. (Див. рис. К3.) Зіставте виїмки **22** на манжеті і роз'ємі AirLock™, як показано для положень розблокування і блокування.
3. Вставте роз'єм AirLock™ в гніздо адаптера.
4. Поверніть манжету в заблоковане положення.

**ПРИМІТКА.** Кулькопідшипники всередині манжети входять в паз і фіксують з'єднання. Тепер електричний інструмент надійно підключений до пилососа.

**ПРИМІТКА:** У разі пошкодження муфти порту для видалення пилу користувач може її зняти і замінити. Муфта доступна в якості додаткового приладдя і може бути замінена за допомогою викрутки.

## РЕЖИМ РОБОТИ

### Інструкції з використання



**ПОПЕРЕДЖЕННЯ:** Завжди дотримуйтесь усіх інструкцій з техніки безпеки та відповідних норм.



**ПОПЕРЕДЖЕННЯ:** Щоб знизити ризик серйозних тілесних ушкоджень, вимкніть інструмент та відключіть акумулятор перед виконанням будь-яких налаштувань або зніманням/встановленням додаткового обладнання або приладдя. Випадковий запуск може призвести до травм.

### Належне положення рук (рис. D2)



**УВАГА!** Щоб знизити ризик серйозних травм, **ЗАВЖДИ** правильно розташуйте руки, як показано.



**УВАГА!** Щоб знизити ризик серйозних травм, **ЗАВЖДИ** надійно тримайте інструмент, щоб попередити випадкову віддачу.

При правильному положенні рук необхідно одну руку тримати на допоміжній ручці **3**, а іншу – на основній ручці **18**.

### Клавішний вимикач (рис. С)



**ОБЕРЕЖНО!** Міцно тримайте допоміжну ручку та корпус інструмента, щоб не втратити контроль за ним під час запуску та використання, до моменту, коли лезо перестане обертатися. Перед тим, як покласти інструмент, переконайтеся, що лезо перестало обертатися.

**ПРИМІТКА.** Щоб зменшити ризик несподіваного руху інструмента, не вмикайте і не вимикайте його під навантаженням. Перед тим, як торкатися оброблюваної поверхні, дайте ламельному фрезеру розігнатися до повної

швидкості. Підніміть інструмент з поверхні перед тим, як його вимкнути. Дайте інструменту повністю зупинитися перед тим, як покласти його.

1. Увімкніть інструмент, натисніть важіль блокування **2** у бік задньої частини інструмента і натисніть клавішний вимикач **11**. Інструмент працюватиме, доки перемикач буде залишатись натисненим.
2. Щоб вимкнути інструмент, відпустіть клавішний вимикач.

### Функція No-Volt (Без напруги)

Функція No-Volt зупиняє перезавантаження ламельного фрезера без зациклювання перемикача, якщо припиняється подача живлення.

### Виконання шкантових з'єднань (рис. L–O)



**УВАГА!** Для перевірки глибини занурення завжди робіть пробний пропил в обрідках деревини. За необхідності виконайте точне регулювання, як описано в розділі **Монтаж та налаштування**.

Для виготовлення міцних та точних шкантових з'єднань можна використовувати різні техніки. У цьому посібнику найважливіші техніки будуть розглянуті докладніше (рис. L).

### Вибір розміру шканта (рис. M).

Три розміри шканта: #0, #10 та #20. Зазвичай слід використовувати найбільший шкант, який поміститься в заготовці.

Після вибору розміру шканта відрегулюйте глибину занурення відповідним чином, як описано в розділі **Регулювання глибини занурення**.

### Розташування шкантів (рис. N1–N4)

Для з'єднань встик шканти зазвичай розташовуються з інтервалом 15–25 см. Крайні шканти повинні розташовуватися на відстані 5–7,5 см від кінців заготовки (рис. N1).

При з'єднанні вузьких заготовок, наприклад, картинних рам, навіть найменші шканти можуть бути занадто великими для з'єднання. У цьому випадку відкритий кінчик шканта слід обрізати після склеювання з'єднання (рис. N2).

При з'єднанні заготовок завтовшки понад 2,5 см для додаткової міцності можна використовувати пари шкантів (рис. N3).

Щоб розмітити сполучні деталі, спочатку розташуйте їх так, як вони будуть зібрані. За допомогою кутника проведіть лінію розмітки через деталі (рис. N4).

### Вирізання пазів для шкантів (рис. O)

1. Налаштуйте параметри інструменту, як описано вище.
2. Вирівняйте центральну мітку на основі інструмента з лінією розмітки, як показано на рисунку.
3. Увімкніть інструмент і зачекайте секунду, доки фреза набере повну швидкість.
4. Щільно притисніть напрямну до заготовки і занурте фрезу до упору.
5. Дайте інструменту витягти лезо із заготовки.
6. Вимкніть інструмент.

## Збірка заготовок

1. Спробуйте зібрати заготовки разом, щоб перевірити правильність підгонки з'єднань.
2. Рівномірно нанесіть відповідний клей в пази з'єднань на шкантах і на поверхні стику з'єднання.
3. Вставте шканти в пази та переконайтеся, що вони стикаються з клеєм.
4. Зберіть заготовки та затисніть їх до висихання клею.

## З'єднання встик (рис. P1, P2)

1. Покладіть заготовки на плоску поверхню в тому вигляді, в якому вони мають бути зібрані.
2. Позначте центри шкантів. Шканти повинні розташовуватися з інтервалом 15-25 см; крайні шканти повинні розташовуватися на відстані 5-7,5 см від кінців заготовки (рис. P1).
3. Встановіть напрямну на 90°.
4. Встановіть регулятор висоти, щоб розташувати шкант у центрі заготовки.
5. Налаштуйте інші параметри інструменту, як описано вище.
6. Виріжте пази для шкантів, як описано вище (рис. P2).

## Рамкові з'єднання (рис. Q1–Q3)

1. Покладіть заготовки на плоску поверхню в тому вигляді, в якому вони мають бути зібрані (рис. Q1, Q2).
2. Виберіть відповідний розмір шканта.
3. Позначте центри шкантів.
4. Налаштуйте параметри інструменту, як описано вище.
5. Виріжте пази для шкантів, як описано вище (рис. Q3).

## Кутові з'єднання (рис. R1, R2)

1. Розташуйте заготовки в тому вигляді, в якому вони мають бути зібрані (рис. R1).
2. Виберіть відповідний розмір шканта.
3. Позначте центри шкантів.
4. Для торцевого зрізу затисніть заготовку та вирівняйте інструмент, як показано (рис. R2)
5. Виріжте пази для шкантів, як описано вище.

## З'єднання зі зсувом (рис. S)

При з'єднанні двох заготовок різної товщини поступайте наступним чином:

1. Розташуйте заготовки в тому вигляді, в якому вони мають бути зібрані.
2. Виберіть відповідний розмір шканта.
3. Позначте центри шкантів.
4. Виберіть заготовку, яка буде відводитися назад.
5. Встановіть регулятор висоти, щоб розташувати шкант у центрі заготовки.
6. Виріжте пази для шкантів, як описано вище.
7. Відрегулюйте напрямну вгору на відстань, що дорівнює бажаному зсуву. Використовуйте шкалу для зчитування налаштування.

8. Виріжте пази для шкантів, як описано вище.

## З'єднання на вус (рис. T1–T4)

### Зовнішні поверхні вирівняні

1. Розташуйте заготовки в тому вигляді, в якому вони мають бути зібрані.
2. Позначте центри шкантів на зовнішній стороні з'єднання.
3. Встановіть кут напрямної на 90°.
4. Відрегулюйте напрямну так, щоб шкант розташовувався з внутрішньої сторони з'єднання, де заготовка товща. Виберіть відповідний розмір шканта (рис. T2).
5. Затисніть заготовку та вирівняйте інструмент, як показано (рис. T3).
6. Виріжте пази для шкантів, як описано вище.

### Внутрішні поверхні вирівняні

1. Розташуйте заготовки в тому вигляді, в якому вони мають бути зібрані.
2. Позначте центри шкантів на внутрішній стороні з'єднання.
3. Встановіть кут напрямної на 45°.
4. Відрегулюйте напрямну так, щоб шкант розташовувався з внутрішньої сторони з'єднання, де заготовка товща. Виберіть відповідний розмір шканта.
5. Затисніть заготовку та вирівняйте інструмент, як показано (рис. T4).
6. Виріжте пази для шкантів, як описано вище.

## T-подібні з'єднання (рис. U1–U5)

Цей тип з'єднань зазвичай використовується для кріплення полиць до бокових панелей (рис. U1).

1. Покладіть заготовки на плоску поверхню в тому вигляді, в якому вони мають бути зібрані (у вигляді перевернутої літери T).
2. Позначте центри шкантів на полиці.
3. Злегка позначте верхню частину полиці на боковій панелі (рис. U2).
4. Затисніть напрямну зверху бокової панелі, поєднавши кінець полиці з лінією (рис. U3).
5. Виберіть відповідний розмір шканта.
6. Встановіть напрямну на 0°.
7. Вирівняйте інструмент за помітками на шкантах, орієнтуючись на помітки на основі інструменту.
8. Зробіть вертикальний (рис. U4) і горизонтальний (рис. U5) розрізи в кожному з місць розташування шкантів.

## ТЕХНІЧНЕ ОБСЛУГОВУВАННЯ

Ваш електричний інструмент призначений для роботи протягом довгого часу з мінімальним обслуговуванням. Довга задовільна робота приладу залежить від належного обслуговування приладу та регулярного його очищення.



**ПОПЕРЕДЖЕННЯ:** Щоб знизити ризик серйозних тілесних ушкоджень, вимкніть інструмент та відключіть акумулятор перед виконанням будь-яких налаштувань або змінами!



**встановленням додаткового обладнання або приладдя.** Випадковий запуск може призвести до травм.

Зарядний пристрій та акумулятор не підлягають обслуговуванню.



## Змащування

Ваш електричний інструмент не вимагає додаткового змащування.



## Очищення



**ПОПЕРЕДЖЕННЯ:** Коли пил та бруд стають помітними та починають накопичуватися біля вентиляційних отворів, видавайте бруд та пил зсередини основного корпусу за допомогою сухого повітря. Використовуйте рекомендовані засоби захисту органів зору та рекомендовану протипилову маску при виконанні цієї операції.



**ПОПЕРЕДЖЕННЯ:** Ніколи не використовуйте розчинники та інші агресивні хімічні засоби для очищення неметалевих деталей інструмента. Такі хімічні речовини можуть нанести шкоду матеріалам, що використовуються в цих деталях. Використовуйте вологу ганчірку, змочену лише водою з м'яким милом. Не дозволяйте рідині потрапляти всередину інструмента та ніколи не занурюйте деталі інструмента в рідину.

## Додаткові аксесуари



**ПОПЕРЕДЖЕННЯ:** Оскільки інше приладдя, що не зазначене виробником DEWALT, не перевірялося з цим пристроєм, його використання з інструментом може бути небезпечним. Необхідно використовувати лише рекомендовані DEWALT приладдя з цим пристроєм, щоб знизити ризик отримання травми.

Зверніться до свого дилера для отримання подальшої інформації щодо відповідного приладдя.

## Захист навколишнього середовища



Роздільний збір. Пристрої і акумулятори позначені цим символом, не можна викидати зі звичайним побутовим сміттям.

Пристрої і акумулятори містять матеріали, які можна відновити та переробити, що зменшить потребу у сировині. Утилізуйте електротехнічну продукцію і акумулятори відповідно до місцевих положень.

Більш детальну інформацію можна отримати на сайті

[www.2helpU.com](http://www.2helpU.com).

## Придатність акумулятора для перезарядки

Дана модель акумулятора підлягає перезарядці у випадку зниження його потужності при виконанні завдань, що попередньо не вимагали особливих зусиль. Наприкінці терміну служби акумулятора утилізуйте його у спосіб, безпечний для навколишнього середовища.

- Повністю розрядіть акумулятор, потім витягніть його з інструменту.
- Літій-іонні акумулятори можна повторно переробляти. Відправте їх до свого дилера або на місцеву переробну станцію. Там зібрані акумулятори будуть перероблені або знищені належним чином.



Виробник:

"Stanley Black & Decker Deutschland GmbH" Black-&-Decker Str.40, D-65510 Idstein, Німеччина

**DEWALT**

ГАРАНТІЙНИЙ ТАЛОН

**3 РОКИ  
ГАРАНТІЇ**

1. Вітаємо Вас з покупкою високоякісного виробу DEWALT і висловлюємо вдячність за Ваш вибір.
2. При покупці виробу вимагайте перевірки його комплектності і справності у Вашій присутності, інструкцію з експлуатації та заповнений гарантійний талон українською мовою. В гарантійному талоні повинні бути внесені: модель, дата продажу, серійний номер, дата виробництва інструменту, назва, печатка і підпис торгової організації. За відсутності у Вас правильно заповненого гарантійного талону, а також при невідповідності зазначених у ньому даних ми будемо змушені відхилити Ваші претензії щодо якості даного виробу.
3. Щоб уникнути непорозумінь, переконливо просимо Вас перед початком роботи з виробом уважно ознайомитися з інструкцією з його експлуатації. Правовою основою справних гарантійних умов є чинне Законодавство. Гарантійний термін на даний виріб складає 36 місяці і обчислюється з дня продажу. У разі усунення недоліків виробу, гарантійний строк продовжується на період його перебування в ремонті. Термін служби виробу становить 5 років з дня продажу.
4. У разі виникнення будь-яких проблем у процесі експлуатації виробу рекомендуємо Вам звертатися тільки в уповноважені сервісні центри DEWALT, адреси та телефони яких Ви зможете знайти в гарантійному талоні, на сайті [www.2helpU.com](http://www.2helpU.com) або дізнатися в магазині. Наші сервісні станції - це не тільки кваліфікований ремонт, але і широкий асортимент запчастин і аксесуарів.
5. Виробник рекомендує проводити періодичну перевірку і технічне обслуговування виробу в уповноважених сервісних центрах.
6. Наші гарантійні зобов'язання поширюються тільки на несправності, виявлені протягом гарантійного терміну і викликані дефектами виробництва та \ або матеріалів.
7. Гарантійні умови не поширюються на несправності виробу, що виникли в результаті:
  - 7.1. Недотримання користувачем приписів інструкції з експлуатації виробу, застосування виробу не за призначенням, неправильного зберігання, використання приладдя, витратних матеріалів і запчастин, що не передбачені виробником.
  - 7.2. Механічного пошкодження (відколи, тріщини і руйнування) внутрішніх і зовнішніх деталей виробу, основних і допоміжних рукояток, мережевого кабелю, що викликані зовнішнім ударним або будь-яким іншим впливом
  - 7.3. Поتراплення у вентиляційні отвори та проникнення всередину виробу сторонніх предметів, матеріалів або речовин, що не є відходами, які супроводжують застосування виробу за призначенням, такими як: стружка, тирса, пісок, тирса, та ін.
  - 7.4. Впливу на виріб несприятливих атмосферних і інших зовнішніх факторів, таких як дощ, сніг, підвищена вологість, нагрівання, агресивне середовище, невідповідність параметрів електромережі, що зазначені на інструменті.
  - 7.5. Стихійного лиха. Пошкодження або втрати виробу, що пов'язані з непереборними лихами, стихійними явищами, у тому числі внаслідок дії непереборної сили (пожежа, блискавка, потоп і інші природні явища), а також внаслідок перепадів напруги в електромережі та іншими причинами, які знаходяться поза контролем виробника.
8. Гарантійні умови не поширюються:
  - 8.1. На інструменти, що піддавалися розкриттю, ремонту або модифікації поза уповноваженим сервісним центром.
  - 8.2. На деталі, вузли та матеріали, що мають сліди природного зносу, такі як: приводні ремені і колеса, вугільні щітки, мастило, підшипники, зубчасті зчеплення редукторів, гумові ущільнення, сальники, направляючі ролики, муфти, вимикачі, бойки, штовхачі, столи тощо.
  - 8.3. На змінні частини: патрони, цанги, затискні гайки і фланці, фільтри, ножі, шліфувальні підшви, ланцюги, зірочки, пильні шини, захисні кожухи, пилки, абразиви, пильні і абразивні диски, фрези, свердла, бури тощо
  - 8.4. На несправності, що виникли в результаті перевантаження інструменту (як механічного, так і електричного), що спричинили вихід з ладу одночасно двох і більше деталей і вузлів, таких як: ротора і статора, обох обмоток статора, веденої і ведучої шестерень редуктора або інших вузлів і деталей. До безумовних ознак перевантаження виробу відносяться, крім інших: поява кольорів мінливості, деформація або оплвлення деталей і вузлів виробу, потемніння або обуглювання ізоляції проводів електродвигуна під впливом високої температури.

Товар отриманий в справному стані, без видимих ушкоджень, в повній комплектації, перевірений у моїй присутності, претензій щодо якості товару не маю. З умовами гарантійного обслуговування ознайомлений і згоден.

П. І. Б. та підпис власника \_\_\_\_\_

**Шановні клієнти, наша мережа авторизованих сервісних центрів постійно розширюється. Актуальну інформацію про обслуговування в місті, що цікавить вас, ви можете дізнатися на сайті**

**[www.2helpU.com](http://www.2helpU.com)**

Редакція ВК/12-12-2018

Інформація про інструмент

Найменування інструменту	
Модель	
Найменування продавця	
Дата продажу	

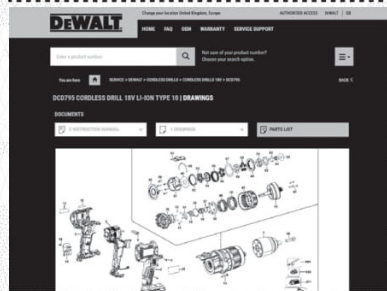
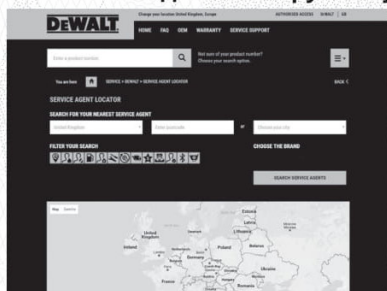
Серійний номер/Дата виробництва

Інструмент	
Зарядний пристрій	
Акумулятор 1	
Акумулятор 2	

М.П.  
Продавця

**На сайті [www.2helpU.com](http://www.2helpU.com) доступні наступні функції:**

- Список авторизованих сервісних центрів
- Зручний пошук найближчого сервісного центру
- Керівництво з експлуатації
- Технічні характеристики
- Список деталей і запасних частин
- Схема складання інструменту



**Також дану інформацію ви можете отримати, зателефонувавши за номером:  
0 (800) 211 521 в Україні**

**ВІДМІТКА ПРО ПРОВЕДЕННЯ СЕРВІСНОГО ОБСЛУГОВУВАННЯ**

№1	№2	№3	№4
№ замовлення	№ замовлення	№ замовлення	№ замовлення
Дата прийому	Дата прийому	Дата прийому	Дата прийому
Дата ремонту	Дата ремонту	Дата ремонту	Дата ремонту
Печатка і підпис сервісного центру	Печатка і підпис сервісного центру	Печатка і підпис сервісного центру	Печатка і підпис сервісного центру

