

DEWALT®

www.DEWALT.com

DWE7800

English (**original instructions**)

3

Русский (*перевод с оригинала инструкции*)

10

Українська (*переклад з оригінальної інструкції*)

22

Fig. A

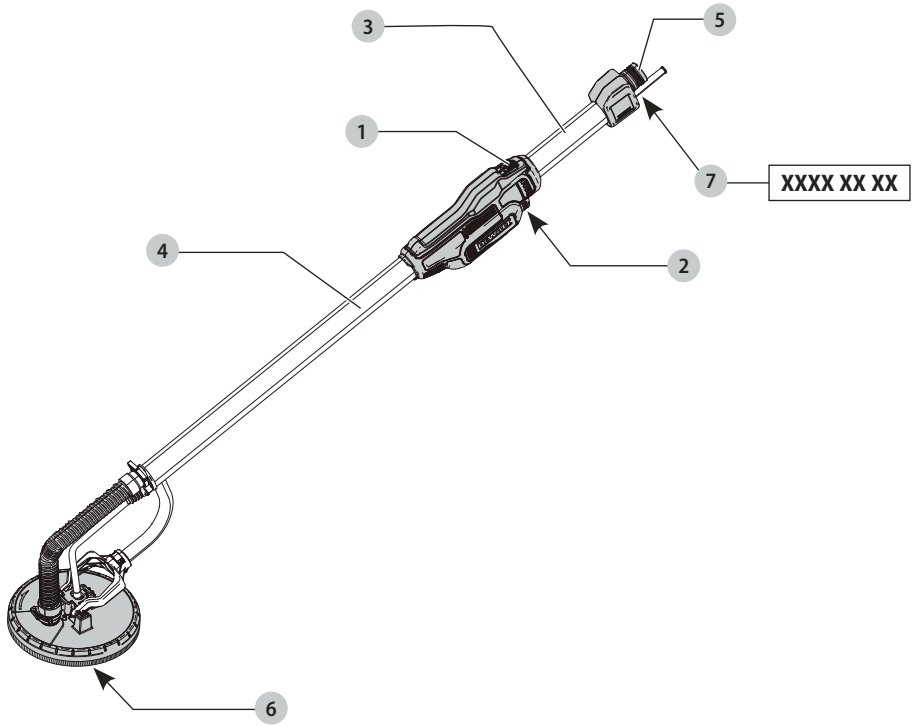


Fig. B

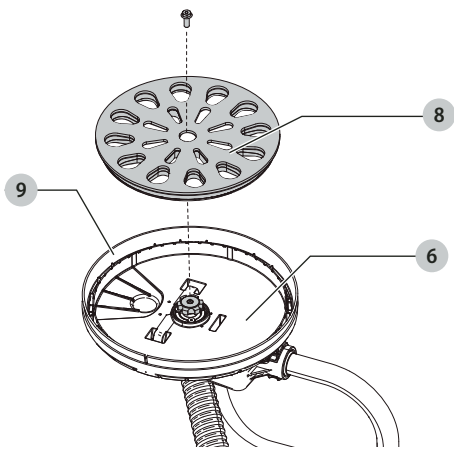


Fig. C

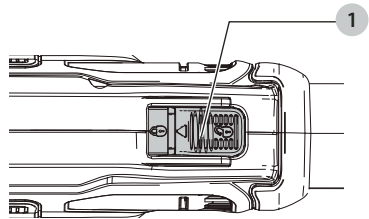


Fig. D

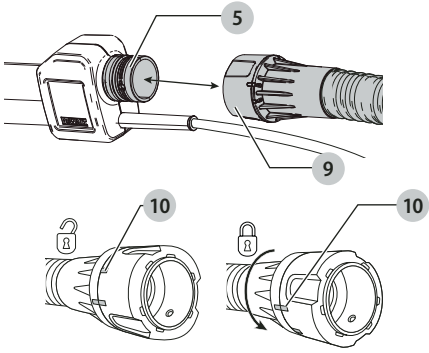
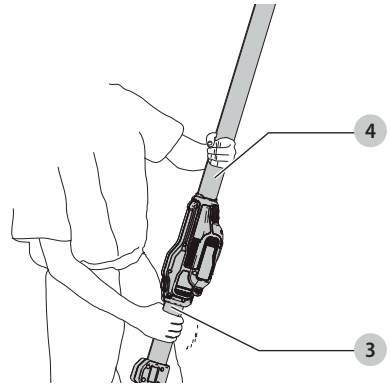


Fig. E



DRYWALL SANDER

DWE7800

Congratulations!

You have chosen a BernerDEWALT tool. Years of experience, thorough product development and innovation make BernerDEWALT one of the most reliable partners for professional power tool users.

Technical Data

	DWE7800	
Voltage	V _{AC}	230
UK & Ireland	V _{AC}	115
Type		1
Power output	W	450
Pad size	mm	225
Orbits	min-1	1200–2400
Weight	kg	4.3

Noise values and/or vibration values (triax vector sum) according to EN60745-2-3:

L _{PA} (emission sound pressure level)	dB(A)	77
L _{WA} (sound power level)	dB(A)	88
K (uncertainty for the given sound level)	dB(A)	2
Vibration emission value a _h =	m/s ²	< 2.5
Uncertainty K =	m/s ²	1.5

The vibration and/or noise emission level given in this information sheet has been measured in accordance with a standardised test given in EN60745 and may be used to compare one tool with another. It may be used for a preliminary assessment of exposure.



WARNING: *The declared vibration and/or noise emission level represents the main applications of the tool. However if the tool is used for different applications, with different accessories or poorly maintained, the vibration and/or noise emission may differ. This may significantly increase the exposure level over the total working period.*

An estimation of the level of exposure to vibration and/or noise should also take into account the times when the tool is switched off or when it is running but not actually doing the job. This may significantly reduce the exposure level over the total working period.

Identify additional safety measures to protect the operator from the effects of vibration and/or noise such as: maintain the tool and the accessories, keep the hands warm (relevant for vibration), organisation of work patterns.

EC-Declaration of Conformity

Machinery Directive



Drywall Sander DWE7800

DeWALT declares that these products described under **Technical Data** are in compliance with: 2006/42/EC, EN60745-1:2009+A11:2010, EN60745-2-3:2011+A2:2013+A11:2014+A12:2014+A13:2015.

These products also comply with Directive 2014/30/EU and 2011/65/EU. For more information, please contact DeWALT at the following address or refer to the back of the manual.

The undersigned is responsible for compilation of the technical file and makes this declaration on behalf of DeWALT.

Markus Rompel
Vice-President Engineering, PTE-Europe
DeWALT, Richard-Klinger-Straße 11,
65510, Idstein, Germany
17.12.2021

DECLARATION OF CONFORMITY THE SUPPLY OF MACHINERY (SAFETY) REGULATIONS 2008



Drywall Sander DWE7800

DeWALT declares that these products described under **Technical Data** are in compliance with:

The Supply of Machinery (Safety) Regulations, 2008, S.I. 2008/1597 (as amended), EN60745-1:2009+A11:2010, EN60745-2-3:2011+A2:2013+A11:2014+A12:2014+A13:2015.

These products conform to the following UK Regulations: Electromagnetic Compatibility Regulations, 2016, S.I.2016/1091 (as amended).

The Restriction of the Use of Certain Hazardous Substances in Electrical and Electronic Equipment Regulations 2012, S.I. 2012/3032 (as amended).

For more information, please contact DeWALT at the following address or refer to the back of the manual.

The undersigned is responsible for compilation of the technical file and makes this declaration on behalf of DEWALT.



Karl Evans
Vice President Professional Power Tools EANZ GTS
DEWALT UK, 270 Bath Road, Slough
SL1 4DX
England
17.12.2021



WARNING: To reduce the risk of injury, read the instruction manual.

Definitions: Safety Guidelines

The definitions below describe the level of severity for each signal word. Please read the manual and pay attention to these symbols.



DANGER: Indicates an imminently hazardous situation which, if not avoided, **will** result in **death or serious injury**.



WARNING: Indicates a potentially hazardous situation which, if not avoided, **could** result in **death or serious injury**.



CAUTION: Indicates a potentially hazardous situation which, if not avoided, **may** result in **minor or moderate injury**.

NOTICE: Indicates a practice **not related to personal injury** which, if not avoided, **may** result in **property damage**.



Denotes risk of electric shock.



Denotes risk of fire.

GENERAL POWER TOOL SAFETY WARNINGS



WARNING: Read all safety warnings, instructions, illustrations and specifications provided with this power tool. Failure to follow all instructions listed below may result in electric shock, fire and/or serious injury.

SAVE ALL WARNINGS AND INSTRUCTIONS FOR FUTURE REFERENCE

The term "power tool" in the warnings refers to your mains-operated (corded) power tool or battery-operated (cordless) power tool.

1) Work Area Safety

- Keep work area clean and well lit.** Cluttered or dark areas invite accidents.
- Do not operate power tools in explosive atmospheres, such as in the presence of flammable liquids, gases or dust.** Power tools create sparks which may ignite the dust or fumes.
- Keep children and bystanders away while operating a power tool.** Distractions can cause you to lose control.

2) Electrical Safety

- Power tool plugs must match the outlet. Never modify the plug in any way. Do not use any adapter plugs with earthed (grounded) power tools.**
Unmodified plugs and matching outlets will reduce risk of electric shock.
- Avoid body contact with earthed or grounded surfaces, such as pipes, radiators, ranges and refrigerators.** There is an increased risk of electric shock if your body is earthed or grounded.
- Do not expose power tools to rain or wet conditions.**
Water entering a power tool will increase the risk of electric shock.
- Do not abuse the cord. Never use the cord for carrying, pulling or unplugging the power tool. Keep cord away from heat, oil, sharp edges or moving parts.** Damaged or entangled cords increase the risk of electric shock.
- When operating a power tool outdoors, use an extension cord suitable for outdoor use.** Use of a cord suitable for outdoor use reduces the risk of electric shock.
- If operating a power tool in a damp location is unavoidable, use a residual current device (RCD) protected supply.** Use of an RCD reduces the risk of electric shock.

3) Personal Safety

- Stay alert, watch what you are doing and use common sense when operating a power tool. Do not use a power tool while you are tired or under the influence of drugs, alcohol or medication.** A moment of inattention while operating power tools may result in serious personal injury.
- Use personal protective equipment. Always wear eye protection.** Protective equipment such as a dust mask, non-skid safety shoes, hard hat or hearing protection used for appropriate conditions will reduce personal injuries.
- Prevent unintentional starting. Ensure the switch is in the off-position before connecting to power source and/or battery pack, picking up or carrying the tool.** Carrying power tools with your finger on the switch or energising power tools that have the switch on invites accidents.
- Remove any adjusting key or wrench before turning the power tool on.** A wrench or a key left attached to a rotating part of the power tool may result in personal injury.
- Do not overreach. Keep proper footing and balance at all times.** This enables better control of the power tool in unexpected situations.
- Dress properly. Do not wear loose clothing or jewellery. Keep your hair and clothing away from moving parts.** Loose clothes, jewellery or long hair can be caught in moving parts.
- If devices are provided for the connection of dust extraction and collection facilities, ensure these are connected and properly used.** Use of dust collection can reduce dust-related hazards.

- h) **Do not let familiarity gained from frequent use of tools allow you to become complacent and ignore tool safety principles.** A careless action can cause severe injury within a fraction of a second.

4) Power Tool Use and Care

- a) **Do not force the power tool. Use the correct power tool for your application.** The correct power tool will do the job better and safer at the rate for which it was designed.
- b) **Do not use the power tool if the switch does not turn it on and off.** Any power tool that cannot be controlled with the switch is dangerous and must be repaired.
- c) **Disconnect the plug from the power source and/ or remove the battery pack, if detachable, from the power tool before making any adjustments, changing accessories, or storing power tools.** Such preventive safety measures reduce the risk of starting the power tool accidentally.
- d) **Store idle power tools out of the reach of children and do not allow persons unfamiliar with the power tool or these instructions to operate the power tool.** Power tools are dangerous in the hands of untrained users.
- e) **Maintain power tools and accessories. Check for misalignment or binding of moving parts, breakage of parts and any other condition that may affect the power tool's operation. If damaged, have the power tool repaired before use.** Many accidents are caused by poorly maintained power tools.
- f) **Keep cutting tools sharp and clean.** Properly maintained cutting tools with sharp cutting edges are less likely to bind and are easier to control.
- g) **Use the power tool, accessories and tool bits etc. in accordance with these instructions, taking into account the working conditions and the work to be performed.** Use of the power tool for operations different from those intended could result in a hazardous situation.
- h) **Keep handles and grasping surfaces dry, clean and free from oil and grease.** Slippery handles and grasping surfaces do not allow for safe handling and control of the tool in unexpected situations.

5) Service

- a) **Have your power tool serviced by a qualified repair person using only identical replacement parts.** This will ensure that the safety of the power tool is maintained.

ADDITIONAL SPECIFIC SAFETY RULES

Safety Warnings Common for Sanding Operations

- a) **This power tool is intended to function as a sander. Read all safety warnings, instructions, illustrations and specifications provided with this power tool.** Failure to follow all instructions listed below may result in electric shock, fire and/or serious injury.
- b) **Operations such as polishing, grinding, wire brushing or cutting-off are not recommended to be**

performed with this power tool. Operations for which the power tool was not designed may create a hazard and cause personal injury.

- c) **Do not use accessories which are not specifically designed and recommended by the tool manufacturer.** Just because the accessory can be attached to your power tool, it does not assure safe operation.
- d) **The rated speed of the accessory must be at least equal to the maximum speed marked on the power tool.** Accessories running faster than their rated speed can break and fly apart.
- e) **The outside diameter and the thickness of your accessory must be within the capacity rating of your power tool.** Incorrectly sized accessories can not be adequately guarded or controlled.
- f) **Threaded mounting of accessories must match the grinder spindle thread. For accessories mounted by flanges, the arbour hole of the accessory must fit the locating diameter of the flange.** Accessories that do not match the mounting hardware of the power tool will run out of balance, vibrate excessively and may cause loss of control.
- g) **Do not use a damaged accessory. Before each use inspect the accessory such as abrasive wheel for chips and cracks, backing pad for cracks, tear or excess wear, wire brush for loose or cracked wires. If power tool or accessory is dropped, inspect for damage or install an undamaged accessory. After inspecting and installing an accessory, position yourself and bystanders away from the plane of the rotating accessory and run the power tool at maximum no-load speed for one minute.** Damaged accessories will normally break apart during this test time.
- h) **Wear personal protective equipment. Depending on application, use face shield, safety goggles or safety glasses. As appropriate, wear dust mask, hearing protectors, gloves and workshop apron capable of stopping small abrasive or workpiece fragments.** The eye protection must be capable of stopping flying debris generated by various operations. The dust mask or respirator must be capable of filtrating particles generated by your operation. Prolonged exposure to high intensity noise may cause hearing loss.
- i) **Keep bystanders a safe distance away from work area. Anyone entering the work area must wear personal protective equipment.** Fragments of workpiece or of a broken accessory may fly away and cause injury beyond immediate area of operation.
- j) **Position the cord clear of the spinning accessory.** If you lose control, the cord may be cut or snagged and your hand or arm may be pulled into the spinning accessory.
- k) **Never lay the power tool down until the accessory has come to a complete stop.** The spinning accessory may grab the surface and pull the power tool out of your control.

- l) **Do not run the power tool while carrying it at your side.** Accidental contact with the spinning accessory could snag your clothing, pulling the accessory into your body.
- m) **Regularly clean the power tool's air vents.** The motor's fan will draw the dust inside the housing and excessive accumulation of powdered metal may cause electrical hazards.
- n) **Do not operate the power tool near flammable materials.** Sparks could ignite these materials.
- o) **Do not use accessories that require liquid coolants.** Using water or other liquid coolants may result in electrocution or shock.

FURTHER SAFETY INSTRUCTIONS FOR ALL OPERATIONS

Kickback and Related Warnings

Kickback is a sudden reaction to a pinched or snagged rotating wheel, backing pad, brush or any other accessory. Pinching or snagging causes rapid stalling of the rotating accessory which in turn causes the uncontrolled power tool to be forced in the direction opposite of the accessory's rotation at the point of the binding.

For example, if an abrasive wheel is snagged or pinched by the workpiece, the edge of the wheel that is entering into the pinch point can dig into the surface of the material causing the wheel to climb out or kick out. The wheel may either jump toward or away from the operator, depending on direction of the wheel's movement at the point of pinching. Abrasive wheels may also break under these conditions.

Kickback is the result of tool misuse and/or incorrect operating procedures or conditions and can be avoided by taking proper precautions as given below:

- a) **Maintain a firm grip on the power tool and position your body and arm to allow you to resist kickback forces. Always use auxiliary handle, if provided, for maximum control over kickback or torque reaction during start up.** The operator can control torque reaction or kickback forces, if proper precautions are taken.
- b) **Never place your hand near the rotating accessory.** Accessory may kickback over your hand.
- c) **Do not position your body in the area where power tool will move if kickback occurs.** Kickback will propel the tool in direction opposite to the wheel's movement at the point of snagging.
- d) **Use special care when working corners, sharp edges etc. Avoid bouncing and snagging the accessory.** Corners, sharp edges or bouncing have a tendency to snag the rotating accessory and cause loss of control or kickback.
- e) **Do not attach a saw chain woodcarving blade or toothed saw blade.** Such blades create frequent kickback and loss of control.

Additional Safety Instructions for Sanding Operations

- a) **Do not use excessively oversized sanding disc paper. Follow manufacturer's recommendations, when selecting sanding paper.** Larger sanding paper extending beyond the sanding pad presents a laceration hazard and may cause snagging, tearing of the disc or kickback.

Additional Specific Safety Rules for Sanders



WARNING: Contact with or inhalation of dusts arising from sanding applications may endanger the health of the operator and possible bystanders. Wear a dust mask specifically designed for protection against toxic dust and fumes and ensure that persons within or entering the work area are also protected. Do not operate the unit without a dust collection system.



WARNING: Use this tool in a well-ventilated area when sanding ferrous metals. Do not operate the tool near flammable liquids, gases or dust. Sparks or hot particles from sanding or arcing motor brushes may ignite combustible materials.



WARNING: Do not use the dust filter cassette or the dust extraction adaptor to store objects.

Sanding Paint



WARNING: Observe the applicable regulations for sanding paint. Pay special attention to the following:

- Whenever possible, use a vacuum extractor for dust collection.
- Take special care when sanding paint which is possibly lead based:
 - Do not let children or pregnant women enter the work area. All persons entering the work area should wear a mask specially designed for protection against lead paint dust and fumes. Do not eat, drink or smoke in the work area.
- Dispose of dust particles and any other removal debris safely.

Residual Risks



WARNING: We recommend the use of a residual current device with a residual current rating of 30mA or less.

In spite of the application of the relevant safety regulations and the implementation of safety devices, certain residual risks cannot be avoided. These are:

- Impairment of hearing.
- Risk of personal injury due to flying particles.
- Risk of burns due to accessories becoming hot during operation.
- Risk of personal injury due to prolonged use.

SAVE THESE INSTRUCTIONS

Electrical Safety

The electric motor has been designed for one voltage only. Always check that the power supply corresponds to the voltage on the rating plate.

If the supply cord is damaged, it must be replaced only by DeWALT or an authorised service organisation.

Mains Plug Replacement (U.K. & Ireland Only)

If a new mains plug needs to be fitted:

- Safely dispose of the old plug.
- Connect the brown lead to the live terminal in the plug.
- Connect the blue lead to the neutral terminal.
- Connect the green/yellow lead to the earth terminal.



WARNING: We recommend the use of a residual current device with a residual current rating of 30mA or less.

Follow the fitting instructions supplied with good quality plugs. Recommended fuse: 13 A.

Using an Extension Cable

If an extension cable is required, use an approved 3-core extension cable suitable for the power input of this tool (see **Technical Data**). The minimum conductor size is 1.5 mm²; the maximum length is 30 m.

When using a cable reel, always unwind the cable completely.

Package Contents

The package contains:

- 1 Drywall sander
- 1 Instruction manual
- Check for damage to the tool, parts or accessories which may have occurred during transport.
- Take the time to thoroughly read and understand this manual prior to operation.

Markings on Tool

The following pictograms are shown on the tool:



Read instruction manual before use.



Wear ear protection.



Wear eye protection

Date Code Position (Fig. A)

The date code **7**, which also includes the year of manufacture, is printed into the housing.

Example:

2021 XX XX

Year and Week of Manufacture

Description (Fig. A)



WARNING: Never modify the power tool or any part of it. Damage or personal injury could result.

- 1 ON/OFF slider switch

- 2 Speed control dial
- 3 Main handle
- 4 Main tube
- 5 Dust extraction port
- 6 Sanding pad

Intended Use

This drywall sander is designed for professional sanding applications like drywall constructions of ceilings and walls as well as for removing paint, coverings, wallpaper residue and loose plaster.

Do not use under wet conditions or in the presence of flammable liquids or gases.

This drywall sander is a professional power tool.

Do not let children come into contact with the tool. Supervision is required when inexperienced operators use this tool.

- **Young children and the infirm.** This appliance is not intended for use by young children or infirm persons without supervision.
- This product is not intended for use by persons (including children) suffering from diminished physical, sensory or mental abilities; lack of experience, knowledge or skills unless they are supervised by a person responsible for their safety. Children should never be left alone with this product.

ASSEMBLY AND ADJUSTMENTS



WARNING: To reduce the risk of serious personal injury, turn tool off and disconnect tool from power source before making any adjustments or removing/installing attachments or accessories. An accidental start-up can cause injury.

Attaching Sanding Discs (Fig. B)

Your DWE7800 drywall sander is designed to use 225 mm sanding discs **8**. Sanding discs for the DWE7800 attach with hook and loop.

The recommended sanding discs are available at extra cost from your local dealer or authorised DeWALT service centre.

To Attach Sanding Disc to the Sanding Pad (Fig. B)


1. Turn the sander over so that the sanding pad **6** is facing upward.
2. Clean the dust from the sanding pad face.
3. Hold the pad with one hand to keep it from rotating.
4. With the other hand, center and place the sanding disc **8** directly on top of the pad. If using paper sanding discs, ensure any ventilation holes in sanding disc align with ventilation holes in sanding pad.

Slider Switch (Fig. C)



CAUTION: Hold the side handle and body of the tool firmly to maintain control of the tool at start up and during use and until the wheel or accessory stops rotating. Make sure the wheel has come to a complete stop before laying the tool down.

NOTE: To reduce unexpected tool movement, do not switch the tool on or off while under load conditions. Allow the grinder to run up to full speed before touching the work surface. Lift the tool from the surface before turning the tool off. Allow the tool to stop rotating before putting it down.

 **WARNING:** Before connecting the tool to a power supply, be sure the slider switch is in the off position by pressing the rear part of the switch and releasing. Ensure the slider switch is in the off position as described above after any interruption in power supply to the tool, such as the activation of a ground fault interrupter, throwing of a circuit breaker, accidental unplugging, or power failure.

To start the tool, slide the ON/OFF slider switch **1** toward the front of the tool. To stop the tool, release the ON/OFF slider switch.

For continuous operation, slide the switch toward the front of the tool and press the forward part of the switch inward. To stop the tool while operating in continuous mode, press the rear part of the slider switch and release.

Speed Control Dial (Fig. A)

The DWE7800 sander is equipped with a variable speed control. Adjust the speed by turning the speed control dial **2**. The speed control dial is numbered "1" through "5". The setting "1" is the slowest speed (approximately 1200 RPM) and "5" is the fastest speed (approximately 2400 RPM).

Use the higher speed settings for fast stock removal. Use the lower speed setting to reduce removal rate for more precise control.

Brush-Type Skirt (Fig. B)

A brush-type skirt **9** surrounds the abrasive pad on the DWE7800. This skirt serves two purposes:

- It extends below the surface of the abrasive pad to prevent the abrasive from "gouging" the work.
- It helps contain the drywall dust until the vacuum cleaner pulls it away.

If the skirt is damaged or if it is worn excessively it should be replaced by a DEWALT authorised service centre.

Attaching an AirLock™ Compatible Dust Extractor (Fig. D, G)

Your drywall sander is compatible with the DEWALT AirLock™ connection system. The AirLock™ allows for a fast, secure connection between the AirLock™ connector **13** and sander's dust extraction port **5**.

1. Ensure the collar on the AirLock™ connector is in the unlock position. (Refer to Fig. D.) Align notches **14** on collar and AirLock™ connector as shown for unlock and lock positions.
2. Push the AirLock™ connector onto the adapter connector point.
3. Rotate the collar to the locked position.


NOTE: The ball bearings inside collar lock into slot and secure the connection. The power tool is now securely connected to the dust extractor.


NOTE: The sleeve **17** of the dust extraction port can be

removed if damaged and replaced by the user. The sleeve is available as an optional accessory and can be replaced using a screwdriver.

OPERATION

Instructions for Use

 **WARNING:** Always observe the safety instructions and applicable regulations.

 **WARNING:** To reduce the risk of serious personal injury, turn tool off and disconnect tool from power source before making any adjustments or removing/installing attachments or accessories. An accidental start-up can cause injury.


Proper Hand Position (Fig. E)

 **WARNING:** To reduce the risk of serious personal injury, ALWAYS use proper hand position as shown.

 **WARNING:** To reduce the risk of serious personal injury, ALWAYS hold securely in anticipation of a sudden reaction.

Proper hand position requires one hand on the main handle **3** and one hand on the main tube **4**.

Sanding Drywall (Fig. E)

 **WARNING:** To reduce the risk of personal injury, ALWAYS wear a respirator approved for "Dust and Mist" and connect the drywall sander to a suitable dust extractor.

The drywall sander has an articulating sanding head. The head can swivel in multiple directions, allowing the abrasive pad to conform to the work surface. This action enables you to sand the top, middle, and bottom of a wall or ceiling joint without changing position.

1. Turn the vacuum cleaner switch ON (I).
2. Turn drywall sander switch ON.
3. Position the Drywall Sander lightly against the work surface. Apply just enough pressure to align the sanding head with the work surface.
4. Apply additional pressure to engage the abrasive pad on the work surface. Move the sander in an overlapping pattern to smooth the drywall compound down to a "featheredge".
5. Apply ONLY enough pressure to keep the abrasive pad flat against the work.
6. Keep the sander in constant motion while the abrasive pad is in contact with the work surface. Use a steady, sweeping motion. Excessive pressure, stopping the sander on the work, or moving the sander erratically can cause unacceptable swirl marks and unevenness in the work surface.

NOTE: Do not allow rotating abrasive pad to contact sharp protrusions. Contact with protruding objects (nails, screws, electrical boxes, etc.), can severely damage the abrasive pad.

Precautions to Take When Sanding Paint

Sanding of lead based paint is NOT RECOMMENDED due to the difficulty of controlling the contaminated dust. The greatest danger of lead poisoning is to children and pregnant women.

Since it is difficult to identify whether or not a paint contains lead without a chemical analysis, we recommend the following precautions when sanding any paint:

1. PERSONAL SAFETY

- No children or pregnant women should enter the work area where the paint sanding is being done until all clean up is completed.
- A dust mask or respirator should be worn by all persons entering the work area. The filter should be replaced daily or whenever the wearer has difficulty breathing. See your local hardware store for the proper NIOSH-approved dust mask.
- Connect a suitable dust extractor.
- NO EATING, DRINKING or SMOKING should be done in the work area to prevent ingesting contaminated paint particles. Workers should wash and clean up BEFORE eating, drinking or smoking. Articles of food, drink, or smoking should not be left in the work area where dust would settle on them.

2. ENVIRONMENTAL SAFETY

- Paint should be removed in such a manner as to minimize the amount of dust generated.
- Areas where paint removal is occurring should be sealed with plastic sheeting of 4 mils thickness.
- Sanding should be done in a manner to reduce tracking of paint dust outside the work area.

3. CLEANING AND DISPOSAL

- All surfaces in the work area should be vacuumed and thoroughly cleaned daily for the duration of the sanding project. Vacuum filter bags should be changed frequently.
- Plastic drop cloths should be gathered up and disposed of along with any dust chips or other removal debris. They should be placed in sealed refuse receptacles and disposed of through regular trash pick-up procedures. During clean up, children and pregnant women should be kept away from the immediate work area.
- All toys, washable furniture and utensils used by children should be washed thoroughly before being used again.

MAINTENANCE

Your power tool has been designed to operate over a long period of time with a minimum of maintenance. Continuous satisfactory operation depends upon proper tool care and regular cleaning.



WARNING: To reduce the risk of serious personal injury, turn tool off and disconnect tool from power source before making any adjustments or removing/installing attachments or accessories. An accidental start-up can cause injury.



Lubrication

Your power tool requires no additional lubrication.



Cleaning



WARNING: Blow dirt and dust out of the main housing with dry air as often as dirt is seen collecting in and around the air vents. Wear approved eye protection and approved dust mask when performing this procedure.



WARNING: Never use solvents or other harsh chemicals for cleaning the non-metallic parts of the tool. These chemicals may weaken the materials used in these parts. Use a cloth dampened only with water and mild soap. Never let any liquid get inside the tool; never immerse any part of the tool into a liquid.

Optional Accessories



WARNING: Since accessories, other than those offered by BernerDEWALTFATMAX, have not been tested with this product, use of such accessories with this tool could be hazardous. To reduce the risk of injury, only BernerDEWALTFATMAX recommended accessories should be used with this product.

Consult your dealer for further information on the appropriate accessories.

Storage

- Switch off the tool
- Always store your products disconnected from power supply!
- Store the tool in a place that is as cool and dry as possible.
- Store the tool in a place where they cannot be accessed by children or unauthorized persons.
- Do not place the power tool with the grinding head down - always place it on the floor so that it is on its side with the brush ring facing down. Otherwise the sanding pad could deform.
- Check the tool for damage before use after long periods of storage.

Transport



CAUTION: Accidental starting during transport!

- Always transport your products disconnected from power supply!
- Check the tool for damage before use after transport.

Protecting the Environment



Separate collection. Products marked with this symbol must not be disposed of with normal household waste.

Products contain materials that can be recovered or recycled reducing the demand for raw materials. Please recycle electrical products according to local provisions. Further information is available at www.2helpU.com.

ШЛИФОВАЛЬНАЯ МАШИНА ПО ГИПСОКАРТОНУ

DWE7800

Поздравляем!

Вы приобрели инструмент DEWALT. Многолетний опыт, тщательная разработка изделий и инновации делают компанию DEWALT одним из самых надёжных партнеров для пользователей профессионального электроинструмента.

Технические характеристики

		DWE7800
Напряжение	$V_{\text{перем. тока}}$	230
Великобритания и Ирландия	$V_{\text{перем. тока}}$	115
Тип		1
Выходная мощность	Вт	450
Размер подошвы	мм	225
Частота колебаний	об/мин.	1200–2400
Вес	кг	4,3

Значения шума и/или вибрации (сумма векторов в трех плоскостях) в соответствии с EN60745-2-3:

L_{PA} (уровень звукового давления)	дБ(A)	77
L_{WA} (уровень акустической мощности)	дБ(A)	88
K (погрешность для заданного уровня мощности)	дБ(A)	2
Значение вибрационного воздействия $ah =$	м/с ²	< 2,5
Погрешность K =	м/с ²	1,5

Значение шумовой эмиссии и/или эмиссии вибрации, указанное в данном справочном листке, было получено в соответствии со стандартным тестом, приведенным в EN60745, и может использоваться для сравнения инструментов. Кроме того, оно может использоваться для предварительной оценки воздействия вибрации.

⚠ ОСТОРОЖНО! Заявленное значение шумовой эмиссии и/или эмиссии вибрации относится к основным областям применения инструмента. Однако, если инструмент используется для различных целей, с различными дополнительными принадлежностями или при ненадлежащем уходе, то уровень шума и/или вибрации может измениться. Это может привести к значительному увеличению уровня воздействия вибрации в течение всего рабочего периода.

При расчете приблизительного значения уровня воздействия шума и/или вибрации также необходимо учитывать время, когда инструмент выключен или то время, когда он работает на холостом ходу. Это может привести к значительному снижению уровня воздействия вибрации в течение всего рабочего периода.

Определите дополнительные меры техники безопасности для защиты оператора от воздействия шума и/или вибрации, а именно: поддержание инструмента и дополнительных принадлежностей в рабочем состоянии, создание комфортных условий работы (соответствующих вибрации), хорошая организация рабочего места.

Декларация о соответствии нормам ЕС

Директива по механическому оборудованию



Шлифовальная машина по гипсокартону DWE7800

DEWALT заявляет, что продукция, описанная в разделе «Технические характеристики» соответствует: 2006/42/EC, EN60745-1:2009+A11:2010, EN60745-2-3:2011+A2:2013+A11:2014+A12:2014+A13:2015.

Эти продукты также соответствуют Директивам 2014/30/EU и 2011/65/EU. Для получения дополнительной информации обратитесь в компанию DEWALT по адресу, указанному ниже или приведенному на задней стороне обложки руководства. Нижеподписавший несет ответственность за составление технической документации и составил данную декларацию по поручению компании DEWALT.

Маркус Ромпел
Вице-президент по инженерным разработкам, PTE-Europe
DEWALT, Richard-Klinger-Straße 11,
D-65510, Idstein, Germany
17.12.2021



ВНИМАНИЕ: Во избежание риска получения травм ознакомьтесь с инструкцией.

Обозначения: правила техники безопасности

Ниже описывается уровень опасности, обозначаемый каждым из предупреждений. Прочитайте руководство и обратите внимание на данные символы.



ОПАСНО: Обозначает опасную ситуацию, которая неизбежно приведет к серьезной травме или смертельному исходу, в случае несоблюдения соответствующих мер безопасности.



ВНИМАНИЕ: Указывает на потенциально опасную ситуацию, которая, в случае несоблюдения соответствующих мер безопасности,

может привести к **серьезной травме или смертельному исходу**.



ПРЕДУПРЕЖДЕНИЕ: Указывает на потенциально опасную ситуацию, которая, в случае несоблюдения соответствующих мер безопасности **может** стать причиной травм **средней или легкой степени тяжести**.

ПОЯСНЕНИЕ: Указывает на практики, использование которых не связано с получением травмы, но если ими пренебречь, **могут** привести к **порче имущества**.



Указывает на риск поражения электрическим током.



Указывает на риск возгорания.

ОБЩИЕ ПРАВИЛА ТЕХНИКИ БЕЗОПАСНОСТИ ПРИ ИСПОЛЬЗОВАНИИ ЭЛЕКТРОИНСТРУМЕНТОВ



ВНИМАНИЕ: Прочитайте и просмотрите все предупреждения, инструкции, иллюстрации и спецификации по данному электроинструменту. Несоблюдение всех приведенных ниже инструкций может стать причиной поражения электрическим током, возгорания и/или тяжелой травмы.

СОХРАНИТЕ ВСЕ ИНСТРУКЦИИ ДЛЯ ПОСЛЕДУЮЩЕГО ИСПОЛЬЗОВАНИЯ

Термин «электроинструмент» в предупреждениях относится к работающим от сети (проводным) электроинструментам или работающим от аккумуляторной батареи (беспроводным) электроинструментам.

1) Безопасность на рабочем месте

- Следите за чистотой и хорошим освещением на рабочем месте.** Захламленное или плохо освещенное рабочее место может стать причиной несчастного случая.
- Запрещается работать с электроинструментами во взрывоопасных местах, например, вблизи легковоспламеняющихся жидкостей, газов и пыли.** Искры, которые появляются при работе электроинструментов могут привести к воспламенению пыли или паров.
- Следите за тем, чтобы во время работы с электроинструментом в зоне работы не было посторонних и детей.** Отвлекаясь от работы вы можете потерять контроль над инструментом.

2) Электробезопасность

- Штепсельная вилка электроинструмента должна соответствовать розетке. Никогда не меняйте вилку инструмента. Запрещается использовать переходники к вилкам для электроинструментов с заземлением.**

Использование оригинальных штепсельных вилок, соответствующих типу сетевой розетки снижает риск поражения электрическим током.

- Избегайте контакта с заземленными поверхностями, такими как трубы, радиаторы и холодильники.** Если вы будете заземлены, увеличивается риск поражения электрическим током.
- Запрещается оставлять электроинструмент под дождем и в местах повышенной влажности.** При попадании воды в электроинструмент риск поражения электротоком возрастает.
- Берегите кабель от повреждений. Никогда не используйте кабель для переноски инструмента, не тяните за него, пытайтесь отключить инструмент от сети. Держите кабель подальше от источников тепла, масла, острых углов или движущихся предметов.** Поврежденный или запутанный кабель питания повышает риск поражения электрическим током.
- При работе с электроинструментом на открытом воздухе используйте удлинитель, подходящий для использования на улице.** Использование кабеля питания, предназначенного для использования вне помещения, снижает риск поражения электрическим током.
- Если использование электроинструмента в условиях повышенной влажности неизбежно, используйте устройства защитного отключения (УЗО) для защиты сети.** Использование УЗО сокращает риск поражения электрическим током.

3) Обеспечение индивидуальной безопасности

- Будьте внимательны, смотрите, что делаете и не забывайте о здравом смысле при работе с электроинструментом. Запрещается работать с электроинструментом в состоянии усталости, наркотического, алкогольного опьянения или под воздействием лекарственных препаратов.** Невнимательность при работе с электроинструментом может привести к серьезным телесным повреждениям.
- Используйте индивидуальные средства защиты. Всегда используйте защитные очки.** Средства защиты, такие как пылезащитная маска, обувь с нескользящей подошвой, каска и защитные наушники, используемые при работе, уменьшают риск получения травм.
- Примите меры для предотвращения случайного включения. Перед тем как подключить электроинструмент к сети и/или аккумуляторной батарее, возьмите инструмент или перенести его на другое место, убедитесь в том, что выключатель находится в положении «Выкл.». Если при переноске электроинструмента он подключен к сети, и при**

этом ваш палец находится на выключателе, это может стать причиной несчастных случаев.

- d) **Уберите все регулировочные или гаечные ключи перед включением электроинструмента.**

Ключ, оставленный на вращающейся части электроинструмента, может привести к травме.

- e) **Не пытайтесь дотянуться до слишком удаленных поверхностей. Обувь должна быть удобной, чтобы вы всегда могли сохранять равновесие.** Это позволит лучше контролировать электроинструмент в непредвиденных ситуациях.

- f) **Одевайтесь соответствующим образом. Избегайте носить свободную одежду и ювелирные украшения. Следите за тем, чтобы волосы и одежда не попадали под движущиеся детали.** Возможно наматывание свободной одежды, ювелирных изделий и длинных волос на движущиеся детали.

- g) **При наличии устройств для подключения оборудования для удаления и сбора пыли необходимо обеспечить правильность их подключения и эксплуатации.** Использование устройства для пылеудаления сокращает риски, связанные с пылью.

- h) **Не позволяйте хорошему знанию от частого использования инструментов стать причиной самонадеянности и игнорирования правил техники безопасности.** Небрежное действие может повлечь серьезные травмы за долю секунды.

4) Эксплуатация электроинструмента и уход за ним

- a) **Избегайте чрезмерной нагрузки электроинструмента. Используйте электроинструмент в соответствии с назначением.** Правильно подобранный электроинструмент выполнит работу более эффективно и безопасно при стандартной нагрузке.

- b) **Не пользуйтесь инструментом, если не работает выключатель.** Любой инструмент, управляемый выключением и включением которого невозможно, опасен, и его необходимо отремонтировать.

- c) **Перед выполнением любых настроек, сменой аксессуаров или прежде чем убрать инструмент на хранение, отключите его от сети и/или снимите с него аккумуляторную батарею, если ее можно снять.** Такие превентивные меры безопасности сокращают риск случайного включения электроинструмента.

- d) **Храните электроинструмент в недоступном для детей месте и не позволяйте работать с инструментом людям, не имеющим соответствующих навыков работы с такого рода инструментами.** Электроинструмент представляет опасность в руках неопытных пользователей.

- e) **Поддерживайте электроинструмент и принадлежности в исправном состоянии. Проверьте, не нарушена ли центровка или не заклинены ли движущиеся детали, нет ли повреждений или иных неисправностей, которые могли бы повлиять на работу электроинструмента. В случае обнаружения повреждений, прежде чем приступить к эксплуатации электроинструмента, его нужно отремонтировать.** Большинство несчастных случаев происходит из-за электроинструментов, которые не обслуживаются должным образом.
- f) **Содержите режущий инструмент в остром заточенном и чистом состоянии.** Вероятность заклинивания инструмента, за которым следят должным образом и который хорошо заточен, значительно меньше, а работать с ним легче.
- g) **Используйте электроинструменты, принадлежности и насадки в соответствии с данными инструкциями, принямая во внимание условия работы и характер выполняемой работы.** Использование электроинструмента для выполнения операций, для которых он не предназначен, может привести к созданию опасных ситуаций.
- h) **Все рукоятки и поверхности захватывания должны быть сухими и без следов смазки.** Скользкие рукоятки и поверхности захватывания не позволяют обеспечить безопасность работы и управления инструментом в непредвиденных ситуациях.

5) Обслуживание

- a) **Обслуживание электроинструмента должен проводить квалифицированный специалист с использованием только оригинальных запасных частей.** Это позволит обеспечить безопасность обслуживаемого электрифицированного инструмента.

ДОПОЛНИТЕЛЬНЫЕ СПЕЦИАЛЬНЫЕ ИНСТРУКЦИИ ПО ТЕХНИКЕ БЕЗОПАСНОСТИ

Общие меры безопасности при шлифовании

- a) **Данный электроинструмент предназначен для шлифования. Прочтите все правила техники безопасности, инструкции, иллюстрации и спецификации по данному электроинструменту.** Несоблюдение всех нижеприведенных инструкций может стать причиной поражения электрическим током, возгорания и/или тяжелой травмы.
- b) **Не рекомендуется выполнять с помощью данного инструмента такие работы полировка, зачистка, шлифование металлической щеткой или резание.** Выполнение

операций, не предусмотренных для данного инструмента, представляет опасность и может привести к травме.

- c) **Не используйте дополнительные принадлежности, которые не рекомендованы производителем инструмента и не предназначены для него специально.**

Возможность установки насадки на электроинструмент не обеспечивает безопасности при ее использовании.

- d) **Номинальная скорость насадки должна, как минимум, равняться максимальной скорости, указанной на электроинструменте.** Насадка, которая вращается со скоростью, превышающей ее номинальную скорость вращения, может разрушиться и отлететь в сторону.

- e) **Внешний диаметр и толщина насадки должны соответствовать диапазону мощности электроинструмента.** Принадлежности неправильно выбранного размера не закрываются защитными кожухом и не обеспечивают надлежащего контроля управления.

- f) **Винтовая резьба насадок должна соответствовать резьбе шпинделя шлифовальной машины. Для насадки, установленной на фланцы, посадочное отверстие должно соответствовать установочному диаметру фланца.**

Насадки, которые не подходят к монтажной арматуре электроинструмента, работают несбалансированно, слишком сильно вибрируют и могут привести к потере контроля.

- g) **Не используйте поврежденные насадки. Перед каждым использованием проверяйте насадки, как то: абразивный круг — на наличие сколов и трещин, диск-подшвы — на наличие надрывов, трещин или чрезмерного износа, проволочные щетки — на наличие ослабленной или сломанной проволоки. В случае падения электроинструмента или насадки проверьте, что она не была повреждена, или установите неповрежденную насадку. После проверки и установки насадки, оператор и посторонние лица не должны находиться на одной плоскости с вращающейся насадкой. Запустите электроинструмент на максимальной скорости без нагрузки и дайте ему поработать одну минуту. Поврежденные насадки, как правило, ломаются в течение этого тестового периода.**

- h) **Используйте средства индивидуальной защиты. В зависимости от типа выполняемых работ надевайте щиток для защиты лица или защитные очки. По мере необходимости надевайте пылезащитную маску, защитные наушники, перчатки и рабочий фартук, способный защитить от мелких абразивных**

частиц и фрагментов обрабатываемой детали. Средства защиты для глаз должны останавливать частицы, вылетающие при выполнении различных видов работ. Пылезащитная маска или респиратор должны обеспечивать фильтрацию твердых частиц, образующихся при выполнении работ. Длительное воздействие шума высокой мощности может привести к нарушениям слуха.

- i) **Не подпускайте посторонних лиц близко к рабочему месту. Любое лицо, входящее в рабочую зону, должно использовать средства индивидуальной защиты.** Фрагменты обрабатываемой детали или разрушенной оснастки могут отлететь в сторону и стать причиной травмы даже за пределами рабочей зоны.
- j) **Располагайте кабель питания на удалении от вращающейся насадки.** В случае потери контроля над инструментом кабель питания может быть разрезан или ободран, а ваша рука может быть затянута вращающейся насадкой.
- k) **Никогда не кладите электроинструмент до тех пор, пока он полностью не остановится.** Вращающаяся насадка может задеть за поверхность, из-за чего электроинструмент может вырваться из рук.
- l) **Не включайте электроинструмент, если насадка направлена на вас.** Случайный контакт с вращающейся насадкой может привести к намотыванию одежды и контакту насадки с вашим телом.
- m) **Регулярно очищайте вентиляционные отверстия электроинструмента.** Вентилятор электродвигателя затягивает пыль внутрь корпуса, а скопление большого количества пыли на металлических частях электродвигателя повышает риск поражения электротоком.
- n) **Не используйте электроинструмент рядом с горючими материалами.** Искры могут привести к их воспламенению.
- o) **Не используйте насадки, требующие жидкостного охлаждения.** Использование воды или других жидких охлаждающих средств может привести к поражению электрическим током вплоть до смертельного исхода.

ДОПОЛНИТЕЛЬНЫЕ ИНСТРУКЦИИ ПО ТЕХНИКЕ БЕЗОПАСНОСТИ ДЛЯ ВСЕХ ВИДОВ РАБОТ

Обратный удар и меры по его предотвращению

Отдача представляет собой внезапную реакцию в результате заклинивания или деформации вращающегося круга, диска-подшвы, щетки или любых других

дополнительных принадлежностей. Заклинивание или деформация вызывают мгновенную остановку вращающейся насадки, что, в свою очередь, приводит к потере управления инструментом и его резкого смещения в сторону, противоположную направлению вращения насадки в точке заклинивания.

Например, в случае заклинивания или деформации абразивного круга в обрабатываемой детали, заклинивающий край круга может врезаться в поверхность материала, что приводит к поднятию или выталкиванию круга. Круг может отскочить в сторону оператора или в другом направлении, в зависимости от направления вращения круга в точке заклинивания. Это может также привести к поломке абразивных кругов.

Отдача является результатом неправильного использования инструмента и/или использованием неправильных методов или режимов работы; избежать этого явления можно путем выполнения указанных далее мер предосторожности:

- a) **Прочно удерживайте электроинструмент обеими руками и располагайтесь таким образом, чтобы иметь возможность погасить энергию отдачи. Для эффективного управления инструментом в случае возникновения обратного удара или реактивного крутящего момента во время запуска всегда пользуйтесь вспомогательной рукояткой, если таковая имеется.** Оператор может контролировать энергию крутящего момента или отдачи при соблюдении надлежащих мер предосторожности.
- b) **Всегда не держите руки поблизости от вращающейся принадлежности.** Она может отскочить в направлении вашей руки.
- c) **Не стойте с той стороны, куда будет сдвигаться инструмент в случае возникновения обратного удара.** В результате отдачи, инструмент отскакивает в направлении, противоположном вращению круга в точке заклинивания.
- d) **Соблюдайте особую осторожность при обработке углов, острых кромок и т. д. Избегайте дрожания и заклинивания принадлежности.** Углы, острые кромки или дрожание могут вызвать заклинивание насадки в заготовке и привести к потере управления в случае возникновения отдачи.
- e) **Не устанавливайте на инструмент диск для резьбы по дереву или зубчатый пильный диск.** Такие диски часто вызывают отдачу и потерю контроля над инструментом.

Дополнительные инструкции по технике безопасности при шлифовании

- a) **Не используйте шлифовальную бумагу слишком большого размера. Соблюдайте рекомендации производителей, выбирая**

шлифовальную бумагу. Шлифовальная бумага, свисающая с диска-подшвы, может разорваться и привести к задираню, износу диска-подшвы или возникновению обратного удара.

Дополнительные специальные правила техники безопасности для шлифовальных машин



ВНИМАНИЕ: Контакт с пылью или вдыхание пыли, которая может образоваться при шлифовании, представляет опасность здоровью оператора и тех, кто находится поблизости. Надевайте пылезащитную маску, которая специально предназначена для защиты от токсичной пыли и испарений, и обеспечивает защиту для людей, выполняющих эту работу или находящихся в зоне проведения работ. Не используйте инструмент без системы пылеудаления.



ВНИМАНИЕ: При шлифовке черных металлов пользуйтесь инструментом в хорошо проветриваемом месте. Запрещается работа инструментом в присутствии легко воспламеняющихся жидкостей, газов и пыли. Искры и раскаленные частицы, возникающие в процессе шлифования или при искрении щеток электродвигателя, могут привести к воспламенению горючих материалов.



ВНИМАНИЕ: Не используйте кассету фильтра пылеуловителя или переходник пылеуловителя для хранения предметов.

Шлифование окрашенных поверхностей



ВНИМАНИЕ: Выполняйте требования действующих норм в отношении шлифования окрашенных поверхностей. Необходимо обращать особое внимание на следующие требования:

- При наличии такой возможности следует обеспечить удаление пыли при помощи вакуумного пылеуловителя.
- Соблюдайте особую осторожность при шлифовании поверхностей, которые могут быть окрашены краской на свинцовой основе:
 - Не разрешайте детям или беременным женщинам находиться в рабочей зоне. Всем лицам, находящимся на рабочем месте, необходимо пользоваться респиратором, предназначенным для защиты от пыли и паров краски на свинцовой основе. Запрещается принимать пищу, пить и курить на рабочем месте.
- Необходимо обеспечить безопасную утилизацию пыли и другого мусора.

Остаточные риски



ОСТОРОЖНО! Рекомендуется использовать устройство защитного отключения (УЗО) с током

утечки до 30 мА.

Несмотря на соблюдение соответствующих инструкций по технике безопасности и использование предохранительных устройств, некоторые остаточные риски невозможно полностью исключить. А именно:

- ухудшение слуха;
- риск травм от разлетающихся частиц;
- риск получения ожогов в результате нагревания инструмента в процессе работы;
- риск получения травмы в результате продолжительной работы.

СОХРАНИТЕ НАСТОЯЩЕЕ РУКОВОДСТВО

Электробезопасность

Электродвигатель рассчитан на работу только при одном напряжении сети. Необходимо обязательно убедиться в том, что напряжение источника питания соответствует указанному на паспортной табличке электроинструмента. Поврежденный кабель питания должен заменяться только со стороны DeWALT или в авторизованном сервисном центре.

Замена штепсельной вилки (только для Великобритании и Ирландии)

Если необходимо установить новую штепсельную вилку:

- Осторожно снимите старую вилку.
- Подсоедините коричневый провод к терминалу фазы в вилке.
- Подсоедините синий провод к нулевому терминалу.
- Подсоедините зеленый/желтый провод к клемме заземления.



ВНИМАНИЕ: Рекомендуется использовать устройство защитного отключения (УЗО) с током утечки до 30 мА.

Соблюдайте инструкции по установке высококачественных вилок. Рекомендованный предохранитель: 13 А!

Использование удлинительного кабеля

При необходимости использования удлинительного кабеля, используйте только утвержденные 3-х жильные кабели промышленного изготовления, рассчитанные на мощность не меньшую, чем потребляемая мощность данного инструмента (см. раздел «Технические характеристики»). Минимальный размер проводника должен составлять 1,5 мм²; максимальная длина — 30 м.

При использовании кабельного барабана всегда полностью разматывайте кабель.

Комплект поставки

В упаковку входят:

- 1 Шлифовальная машина по гипсокартону
 - 1 Руководство по эксплуатации
- Проверьте инструмент, детали и дополнительные принадлежности на предмет повреждений, которые могли произойти во время транспортировки.

- Перед эксплуатацией внимательно прочтите данное руководство.

Маркировка на инструменте

На инструмент нанесены следующие обозначения:



Перед началом работы прочтите руководство по эксплуатации.



Используйте защитные наушники.



Используйте защитные очки.

Место положения кода даты (Рис. [Fig.] А)

Код даты **7**, который также включает в себя год изготовления, отштампован на поверхности корпуса инструмента.

Пример:

2021 XX XX
Год изготовления

Описание (Рис. А)



ВНИМАНИЕ: Никогда не вносите изменения в конструкцию электроинструмента или какой-либо его части. Это может привести к повреждениям или травмам.

- 1 Передвижной пусковой выключатель
- 2 Дисковой переключатель скоростей
- 3 Основная рукоятка
- 4 Основная штанга
- 5 Патрубок пылеотвода
- 6 Диск-подошва

Назначение

Данная шлифовальная машина по гипсокартону предназначена для профессиональных работ по шлифованию гипсокартонных конструкций потолков и стен, а также для удаления краски, покрытий, остатков обоев и отслоившейся штукатурки.

Не используйте в условиях повышенной влажности или поблизости от легковоспламеняющихся жидкостей или газов.

Данная шлифовальная машина по гипсокартону является профессиональным электроинструментом.

Не разрешайте детям прикасаться к инструменту.

Использование инструмента неопытными пользователями должно происходить под контролем опытного лица.

- **Малолетние дети и люди с ограниченными физическими возможностями.** Этот инструмент не предназначен для использования малолетними детьми или людьми с ограниченными физическими возможностями кроме как под контролем лица, отвечающего за их безопасность.
- Данный инструмент не предназначен для использования лицами (включая детей) с ограниченными физическими,

психическими и умственными возможностями, не имеющими опыта, знаний или навыков работы с ним, если они не находятся под наблюдением лица, ответственного за их безопасность. Никогда не оставляйте детей с этим инструментом без присмотра.

питании, таком как срабатывание УЗО, автомата защиты, случайное отключение от сети или перебой в электроснабжении.

СБОРКА И РЕГУЛИРОВКА

⚠ ВНИМАНИЕ: *Чтобы снизить риск получения серьезной травмы, необходимо выключить инструмент и отсоединить батарею, прежде чем выполнять какую-либо регулировку либо удалять/устанавливать какие-либо насадки или дополнительные принадлежности.*

Случайный запуск может привести к травме.

Установка шлифовальных кругов (Рис. В)

Ваша шлифовальная машина по гипсокартону DWE7800 разработана для использования со шлифовальными кругами 225 мм **8**. Шлифовальные круги устанавливаются при помощи DWE7800 застёжки «липучки».

Рекомендованные шлифовальные круги можно приобрести за отдельную плату у местных продавцов или в авторизованном сервисном центре DeWALT.

Установка шлифовального круга на шлифовальную подошву (Рис. В)

1. Переверните шлифовальную машину шлифовальной подошвой **6** вверх.
2. Удалите пыль с поверхности подошвы.
3. Одной рукой удерживайте подошву, чтобы предотвратить ее вращение.
4. Другой рукой установите шлифовальный круг **8** непосредственно на верхнюю поверхность подошвы.

Передвижной пусковой выключатель (Рис. С)

⚠ ПРЕДУПРЕЖДЕНИЕ: *Прочно удерживайте боковую рукоятку и корпус инструмента для обеспечения контроля над инструментом при запуске и при остановке, пока насадка не прекратит вращаться. Убедитесь в том, что круг полностью остановился, прежде чем положить инструмент.*

ПРИМЕЧАНИЕ: Во избежание непредсказуемого перемещения инструмента не включайте и не выключайте его в условиях нагрузки. Перед тем как прикоснуться к заготовке дождитесь, пока шлифовальная машина разгонится до максимальной скорости. Поднимите инструмент от обрабатываемой поверхности перед его выключением. Прежде чем положить инструмент, дождитесь его остановки.

⚠ ВНИМАНИЕ: *Перед тем как подключить инструмент к сети, убедитесь в том, что передвижной пусковой выключатель находится в положении выключения, нажав и отпустив его заднюю часть. Убедитесь в том, что передвижной выключатель находится в выключенном положении как описано выше, после любого перебоя в сетевом*

Для запуска инструмента переместите передвижной пусковой выключатель **1** в направлении передней части инструмента. Чтобы остановить работу инструмента, отпустите передвижной пусковой выключатель.

Для непрерывной работы переместите передвижной пусковой выключатель в направлении передней части инструмента и нажмите на его переднюю часть. Чтобы остановить инструмент во время непрерывного режима работы, нажмите на заднюю часть передвижного пускового выключателя и отпустите его.

Защита от отключения при падении напряжения

Данная функция отключит шлифовальную машину без последующего запуска при исчезновении или сильном понижении напряжения.

Дисковой переключатель скоростей (Рис. А)

Шлифовальная машина DWE7800 оборудована переключателем скоростей. Устанавливайте скорость путем вращения дискового переключателя **2**. На переключатель скоростей нанесены цифры от 1 до 5. Положение «1» – самая низкая скорость (приблизительно 1200 об/мин.); положение «5» – самая высокая скорость (приблизительно 2400 об/мин.).

Используйте более высокую скорость для быстрого снятия верхнего слоя с поверхности. Используйте более низкую скорость для более медленного снятия верхнего слоя, что обеспечит более точное управление инструментом.

Щеточное ограждение (Рис. В)

Щеточное ограждение **9** окружает абразивный диск-подошву на модели DWE7800. Данное ограждение имеет две функции:

- Оно располагается выше поверхности абразивного диска-подошвы, предотвращая повреждение рабочей поверхности.
- Оно помогает удерживать пыль от гипсокартона, пока та не будет урана пылесосом.

Поврежденное или чрезмерно изношенное ограждение следует заменить в авторизованном центре DeWALT.

Установка переходника AirLock™ для подсоединения совместимого пылесоса (Рис. D, G)

Ваша шлифовальная машина по гипсокартону совместима с DeWALT AirLock™ соединительной системой. Система AirLock™ обеспечивает быстрое и надежное соединение между AirLock™ переходником **13** патрубком пылеотвода шлифовальной машины **5**.

1. Убедитесь в том, что муфта переходника AirLock™ находится в положении разблокировки. (Рисунок D.) Совместите метки **14** на муфте и переходнике AirLock™ как показано для положений блокировки и разблокировки.
2. Вдвиньте переходник AirLock™ в место его подсоединения.
3. Поверните муфту в положение блокировки.
ПРИМЕЧАНИЕ: Шарикоподшипники внутри муфты фиксируются в прорези, обеспечивая плотность соединения. Теперь электроинструмент надежно подсоединен к пылесосу.
ПРИМЕЧАНИЕ: Поврежденная муфта **17** патрубка пылеотвода может быть заменена пользователем. Муфту можно приобрести как дополнительную принадлежность и заменить ее при помощи отвертки.

ЭКСПЛУАТАЦИЯ

Инструкции по использованию



ВНИМАНИЕ: Всегда следуйте указаниям действующих норм и правил безопасности.



ВНИМАНИЕ: Чтобы снизить риск получения серьезных травм, выключайте инструмент и отключайте его от сети перед тем, как выполнять какие-либо настройки или снимать/устанавливать насадки или принадлежности. Случайный запуск может привести к травме.

Правильное положение рук во время работы (Рис. E)



ВНИМАНИЕ: Для уменьшения риска получения тяжелой травмы, **ВСЕГДА** правильно удерживайте инструмент, как показано на рисунке.



ВНИМАНИЕ: Для уменьшения риска получения тяжелой травмы, **ВСЕГДА** надежно удерживайте инструмент, предупреждая внезапные сбои в работе.

При правильном расположении рук одна рука находится на основной рукоятке **3**, а другая - на основной трубе **4**.

Шлифование гипсокартона (Рис. E)



ВНИМАНИЕ: Во избежание риска получения травм, **ВСЕГДА** надевайте респиратор утвержденного типа.

Шлифовальная машина по гипсокартону имеет шарнирную шлифовальную головку. Головка может поворачиваться в различных направлениях, что позволяет абразивной подошве приспосабливаться под рабочую поверхность. Данная функция позволяет шлифовать верхнюю, среднюю и нижнюю часть стены или стыки с потолком без изменения рабочего положения.

1. Включите пылесос, нажав на клавишу (1).
2. Включите шлифовальную машину по гипсокартону.

3. Слегка прижмите шлифовальную головку к рабочей поверхности. Приложив легкое усилие, выровняйте шлифовальную головку по рабочей поверхности.
4. Оказывая дополнительное давление, расположите абразивную подошву на рабочей поверхности. Для гладкого шлифования гипсокартона перемещайте шлифовальную машину движениями внахлест.
5. Оказывайте ТОЛЬКО достаточное давление, чтобы абразивная подошва ровно удерживалась на обрабатываемой поверхности.
6. Держите шлифовальную машину в постоянном движении, пока абразивная подошва находится в контакте с рабочей поверхностью. Делайте ровные широкие движения. Чрезмерное давление, остановка шлифовальной машины на рабочей поверхности или ее неустойчивое перемещение могут привести к нежелательным вихревым следам и неровностям на рабочей поверхности.

ПРИМЕЧАНИЕ: Не допускайте контакта вращающейся абразивной подошвы с острыми выступающими предметами. Контакт с выступающими предметами (гвоздями, шурупами, электропроводами и пр.) может серьезно повредить абразивную подошву.

Меры предосторожности при шлифовании окрашенных поверхностей

Зачистка заготовок, покрашенных краской на основе свинца, НЕ РЕКОМЕНДУЕТСЯ из-за образующейся вредной пыли. Наибольшую опасность отравление свинцом представляет для детей и беременных женщин.

Поскольку без химического анализа невозможно определить, содержит ли краска свинец, при шлифовании любой краски мы рекомендуем принять следующие меры предосторожности:

1. ОБЕСПЕЧЕНИЕ ИНДИВИДУАЛЬНОЙ БЕЗОПАСНОСТИ

- В рабочей зоне, где производится шлифовка, не должны находиться дети и беременные женщины, пока место проведения работ не будет полностью очищено.
- Все лица, входящие в место проведения работ, должны надевать пылезащитную маску или респиратор. Фильтр следует заменять ежедневно или всякий раз, когда у пользователя возникают трудности с дыханием. Обратитесь к местному дилеру для приобретения соответствующей маски, одобренной НИОТ.
- Чтобы предотвратить попадание загрязненных частиц краски в организм, запрещается ЕСТЬ, ПИТЬ и КУРИТЬ в месте проведения работ. ПЕРЕД тем как поесть, попить или покурить, рабочие должны тщательно смыть с себя пыль. Запрещается оставлять продукты питания, питьевые жидкости и сигареты в местах, где на них может осесть пыль.

2. ЭКОЛОГИЧЕСКАЯ БЕЗОПАСНОСТЬ


- Краску следует удалять таким образом, чтобы свести к минимуму количество образуемой пыли.
- Рабочая зона, в которой происходит удаление краски, должна быть запечатана пластиковой пленкой толщиной не менее 4 мм.
- Шлифование следует проводить таким образом, чтобы пыль краски не покидала зону проведения работ.

3. ОЧИСТКА И УТИЛИЗАЦИЯ

- Все поверхности в рабочей зоне должны быть тщательно очищены и пропылесосены на протяжении проведения работ. Заменяйте пылесборники как можно чаще.
- Пленку необходимо собирать и утилизировать вместе с пылевой стружкой и другим мусором. Они должны быть помещены в герметичные мешки для мусора и утилизированы в рамках стандартной процедуры сбора мусора. Во время выполнения работ по очистке детям и беременным женщинам запрещается входить в место проведения работ.
- Все игрушки, моющаяся мебель и посуда, используемые детьми, должны быть тщательно вымыты перед использованием.

ТЕХНИЧЕСКОЕ ОБСЛУЖИВАНИЕ

Электроинструмент имеет длительный срок эксплуатации и требует минимальных затрат на техобслуживание. Для длительной безотказной работы необходимо обеспечить правильный уход за инструментом и его регулярную очистку.

 **ВНИМАНИЕ:** Чтобы снизить риск получения серьезных травм, выключайте инструмент и отключайте его от сети перед тем, как выполнять какие-либо настройки или снимать/устанавливать насадки или принадлежности. Убедитесь, что курковый переключатель находится в положении Выкл. Непреднамеренный запуск инструмента может привести к получению травмы.





Смазка

Ваш электроинструмент не требует дополнительной смазки.




Чистка

 **ВНИМАНИЕ:** Выдувайте грязь и пыль из корпуса сухим сжатым воздухом по мере видимого скопления грязи внутри и вокруг вентиляционных отверстий. Выполняйте очистку, надев средство защиты глаз и респиратор утвержденного типа.

 **ВНИМАНИЕ:** Никогда не используйте растворители или другие агрессивные химические средства для

очистки неметаллических деталей инструмента. Эти химикаты могут ухудшить свойства материалов, примененных в данных деталях. Используйте ткань, смоченную в воде с мягким мылом. Не допускайте попадания какой-либо жидкости внутрь инструмента; ни в коем случае не погружайте какую-либо часть инструмента в жидкость.

Дополнительные принадлежности


 **ВНИМАНИЕ:** Поскольку принадлежности, отличные от тех, которые предлагает DEWALT, не прошли тесты на данном изделии, то использование этих принадлежностей может привести к опасной ситуации. Во избежание риска получения травмы, с данным продуктом должны использоваться только рекомендованные DEWALT дополнительные принадлежности.

По вопросу приобретения дополнительных принадлежностей обращайтесь к Вашему дилеру.

Хранение


- Выключите инструмент
- Всегда убирайте на хранение только отсоединенный от источника питания инструмент!
- По возможности храните инструмент в сухом и прохладном месте.
- Храните инструмент в месте, недоступном для детей или посторонних лиц.
- Не ставьте электроинструмент шлифовальной головкой вниз - всегда размещайте его на полу так, чтобы он лежал на боку щеточным кольцом вниз. В противном случае диск-подшова может деформироваться.
- Перед использованием после длительного хранения проверяйте инструмент на наличие повреждений.


Транспортировка

 **ПРЕДУПРЕЖДЕНИЕ:** Возможен случайный запуск во время транспортировки!

- Во время переноски инструмента всегда отсоединяйте его от источника питания!
- Перед использованием после транспортировки проверяйте инструмент на наличие повреждений.

Защита окружающей среды

 Отдельная утилизация. Изделия с данным символом на маркировке запрещается утилизировать с обычными бытовыми отходами.

 Изделия содержат материалы, которые могут быть извлечены или переработаны, снижая потребность в исходном сырье. Пожалуйста, утилизируйте электрические изделия в соответствии с местными нормами. Дополнительная информация доступна по адресу www.2helpU.com.



Приложение к руководству по эксплуатации электрооборудования для определения месяца производства по номеру текущей календарной недели года

Электрооборудование торговых марок "Dewalt", "Stanley", "Stanley FatMAX", "BLACK+DECKER".

Директивы 2014/30/EU ЕВРОПЕЙСКОГО ПАРЛАМЕНТА И СОВЕТА от 26 февраля 2014 г. "О гармонизации законодательства Государств-членов ЕС в области электромагнитной совместимости", 2006/42/ЕС ЕВРОПЕЙСКОГО ПАРЛАМЕНТА И СОВЕТА от 17 мая 2006 г. "О машинах и оборудовании"; 2014/35/EU ЕВРОПЕЙСКОГО ПАРЛАМЕНТА И СОВЕТА от 26 февраля 2014 г. "О гармонизации законодательства государств-членов в области размещения на рынке электрооборудования, предназначенного для использования в определенных пределах напряжения". Серийный выпуск.

ТОВАР СЕРТИФИЦИРОВАН

Орган по сертификации "РОСТЕСТ- Москва", Адрес: 119049, г. Москва, улица Житная, д. 14, стр. 1; 117418, Москва, Нахимовский просп., 31 (фактический), Телефон: (495) 1292311, (495) 6682893, факс: (495) 6682893, E-mail: office@rostest.ru
Изготовитель: Изготовитель: Блэк энд Деккер Холдингс ГмбХ, Германия, 65510, Идштайн, ул. Блэк энд Деккер, 40, тел. +496126212790.

Уполномоченное изготовителем юр.лицо:

ООО "Стэпчи Блэк энд Деккер", 117485, город Москва, улица Обручева, дом 30/1, строение 2
Телефон: + 7 (495) 258-3981, факс: + 7 (495) 258-3984, E-mail: inbox@dewalt.com
Сведения о импортере указаны в сопроводительной документации и/или на упаковке

Хранение.

Необходимо хранить в сухом месте, вдали от источников повышенных температур и воздействия солнечных лучей. При хранении необходимо избегать резкого перепада температур. Хранение без упаковки не допускается

Срок службы.

Срок службы изделия составляет 5 лет. Не рекомендуется к эксплуатации по истечении 5 лет хранения с даты изготовления без предварительной проверки.

Дата изготовления (код даты) указана на корпусе инструмента. Код даты, который также включает год изготовления, отштампован на поверхности корпуса изделия.

Пример:

2014 46 XX, где 2014 –год изготовления, 46–неделя изготовления. Определить месяц изготовления по указанной неделе изготовления можно согласно приведенной ниже таблице.

Транспортировка.

Категорически не допускается падение и любые механические воздействия на упаковку при транспортировке. При разгрузке/погрузке не допускается использование любого вида техники, работающей по принципу зажима упаковки.

Перечень критических отказов, возможные ошибочные действия персонала.

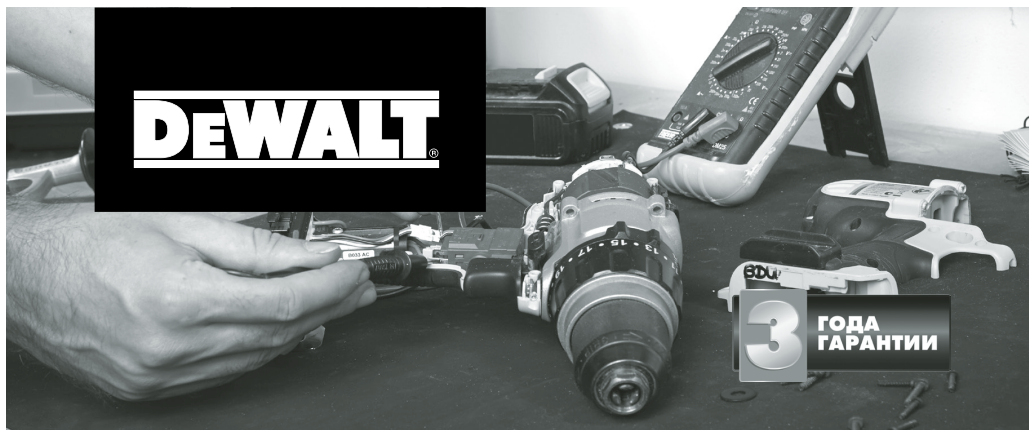
Не допускается эксплуатация изделия:

- При появлении дыма из корпуса изделия
- При поврежденном и/или оголенном сетевом кабеле
- при повреждении корпуса изделия, защитного кожуха, рукоятки
- при попадании жидкости в корпус
- при возникновении сильной вибрации
- при возникновении сильного искрения внутри корпуса

Критерии предельных состояний.

- При поврежденном и/или оголенном сетевом кабеле
- при повреждении корпуса изделия

Месяц	Январь	Февраль	Март	Апрель	Май	Июнь	Июль	Август	Сентябрь	Октябрь	Ноябрь	Декабрь	Год производства
Неделя	1	5	9	14	18	23	27	31	36	40	44	49	2018
	2	6	10	15	19	24	28	32	37	41	45	50	
	3	7	11	16	20	25	29	33	38	42	46	51	
	4	8	12	17	21	26	30	34	39	43	47	52	
			13		22			35			48		
Неделя	1	6	10	14	18	23	27	31	36	40	45	49	2019
	2	7	11	15	19	24	28	32	37	41	46	50	
	3	8	12	16	20	25	29	33	38	42	47	51	
	4	9	13	17	21	26	30	34	39	43	48	52	
	5				22			35		44			
Неделя	1	6	10	14	19	23	27	32	36	40	45	49	2020
	2	7	11	15	20	24	28	33	37	41	46	50	
	3	8	12	16	21	25	29	34	38	42	47	51	
	4	9	13	17	22	26	30	35	39	43	48	52	
	5				18		31			44			
Неделя	2	6	10	14	19	23	27	32	36	41	45	49	2021
	3	7	11	15	20	24	28	33	37	42	46	50	
	4	8	12	16	21	25	29	34	38	43	47	51	
	5	9	13	17	22	26	30	35	39	44	48	52	
					18		31		40			1	
Неделя	2	6	10	15	19	23	28	32	36	41	45	49	2022
	3	7	11	16	20	24	29	33	37	42	46	50	
	4	8	12	17	21	25	30	34	38	43	47	51	
	5	9	13	18	22	26	31	35	39	44	48	52	
				14		27			40			1	



ГАРАНТИЙНЫЕ УСЛОВИЯ

Уважаемый покупатель!

1. Поздравляем Вас с покупкой высококачественного изделия DEWALT и выражаем признательность за Ваш выбор.
2. При покупке изделия требуйте проверки его комплектности и исправности в Вашем присутствии. В комплекте с инструментом должна быть инструкция по эксплуатации и гарантийные условия производителя на русском языке. Сохраняйте на весь срок гарантии Ваш документ, удостоверяющий факт покупки изделия. Убедитесь, что в чеке указаны: фискальный номер чека, модель/наименование изделия, дата продажи и название торговой организации.
3. Во избежание недоразумений убедительно просим Вас перед началом работы с изделием внимательно ознакомиться с инструкцией по его эксплуатации. Правовой основой настоящих гарантийных условий является действующее Законодательство. Гарантийный срок на данное изделие составляет 36 месяцев и исчисляется со дня продажи. В случае устранения недостатков изделия гарантийный срок продлевается на период его нахождения в ремонте. Срок службы изделия составляет 5 лет со дня продажи.
4. В случае возникновения каких-либо проблем в процессе эксплуатации изделия рекомендуем Вам обращаться только в уполномоченные сервисные центры DEWALT, адреса и телефоны которых Вы сможете найти на сайте www.2helpU.com или узнать в магазине. Наши сервисные станции это не только квалифицированный ремонт, но и широкий ассортимент запчастей и принадлежностей.
5. Производитель рекомендует проводить периодическую проверку и техническое обслуживание изделия в уполномоченных сервисных центрах.
6. Наши гарантийные обязательства распространяются только на неисправности, выявленные в течение гарантийного срока и вызванные дефектами материалов или сборки изделия.
7. **Гарантийные условия не распространяются на неисправности изделия, возникшие в результате:**
 - 7.1. Несоблюдения пользователем предписаний инструкции по эксплуатации изделия, применения изделия не по назначению, неправильного хранения, использования принадлежностей, расходных материалов и запчастей, не предусмотренных производителем.
 - 7.2. Механического повреждения (сколы, трещины и разрушения) внутренних и внешних деталей изделия, основных и вспомогательных рукояток, сетевого электрического кабеля, вызванного внешним ударным или лобным иным воздействием.



ОБЯЗАТЕЛЬНО СОХРАНЯЙТЕ КАССОВЫЙ ЧЕК

- 7.3. Попадания в вентиляционные отверстия и проникновения внутрь изделия посторонних предметов, материалов или веществ, не являющихся отходами, сопровождающими применение изделия по назначению, такими как: стружка, опилки, песок, и пр.
- 7.4. Воздействий на изделие неблагоприятных атмосферных и иных внешних факторов, таких как дождь, снег, повышенная влажность, нагрев, агрессивные среды, несоответствие параметров питающей электросети, указанных на инструменте.
- 7.5. Стихийного бедствия. Повреждение или утрата изделия, связанное с непредвиденными бедствиями, стихийными явлениями, в том числе вследствие действия непреодолимой силы (пожар, молния, потоп и другие природные явления), а также вследствие перепадов напряжения в электросети и другими причинами, которые находятся вне контроля производителя.

8. Гарантийные условия не распространяются:

- 8.1. На инструменты, подвергавшиеся вскрытию, ремонту или модификации вне уполномоченного сервисного центра.
- 8.2. На детали и узлы, имеющие следы естественного износа, такие как: приводные ремни и колеса, угольные щетки, смазка, подшипники, зубчатое зацепление редукторов, резиновые уплотнения, сальники, направляющие ролики, муфты сцепления, бойки, толкатели, стволы, и т.п.
- 8.3. На сменные и расходные части: цанги, зажимные гайки и фланцы, фильтры, ножи, шлифовальные подошвы, цепи, звездочки, пыльные шины, защитные кожухи, пилки, абразивы, пыльные и абразивные диски, фрезы, сверла, буры и т.п.
- 8.4. На неисправности, возникшие в результате перегрузки инструмента (как механической, так и электрической), повлекшей выход из строя одновременно двух и более деталей и узлов, таких как ротора и статора, обоих обмоток статора, ведомой и ведущей шестерни редуктора или других узлов и деталей. К безусловным признакам перегрузки изделия относятся, помимо прочего: появление цветов побежалости, деформация или оплавление деталей и узлов изделия, потемнение или обугливание изоляции проводов электродвигателя под воздействием высокой температуры.



Горячая линия

8-800-1000-876

Актуальную информацию об обслуживании в интересующем вас городе вы можете узнать на сайте service.dewalt.ru

- Список авторизованных сервисных центров
- Поиск ближайшего сервисного центра
- Руководство по эксплуатации
- Технические характеристики
- Список деталей и запасных частей
- Схема сборки инструмента

15-04-2021

ГАРАНТИЙНОЕ ОБСЛУЖИВАНИЕ

С БЕСПЛАТНОЙ ДОСТАВКОЙ

Теперь вы можете сдать инструмент в сервис, даже если его нет в вашем городе.

Скачать/распечатать инструкцию с сайта

service.dewalt.ru



Отметки о проведении сервисного обслуживания

№1	№2	№3	№4
№ заказа	№ заказа	№ заказа	№ заказа
Дата поступления	Дата поступления	Дата поступления	Дата поступления
Дата ремонта	Дата ремонта	Дата ремонта	Дата ремонта
Печать и подпись сервисного центра	Печать и подпись сервисного центра	Печать и подпись сервисного центра	Печать и подпись сервисного центра



ПОДАРОК ЗА ОТЗЫВ*

- 1 Зарегистрируйся на **my.dewalt.ru**
- 2 Напиши отзыв о покупке
- 3 Получи подарок**



*Акция проводится на территории Российской Федерации. Подробные условия акции указаны на **my.dewalt.ru**

** Подарок может отличаться от изображенного, актуальный перечень см. на **my.dewalt.ru**

ШЛІФУВАЛЬНА МАШИНА ДЛЯ СТІН ТА СТЕЛІ

DWE7800

Вітаємо вас!

Ви обрали інструмент виробництва компанії DEWALT. Ретельна розробка продукції, багаторічний досвід фірми у виробництві інструментів, різні вдосконалення, все це зробило інструменти DEWALT є одними із найнадійніших помічників для тих, хто використовує електричні інструменти у своїй професії.

Технічні дані

DWE7800		
Напруга	$V_{\text{змін. струму}}$	230
Велика Британія та Ірландія	$V_{\text{змін. струму}}$	115
Тип		1
Вихідна потужність	Вт	450
Розмір підшоши	мм	225
Оберти	об/хв.	1200–2400
Маса	кг	4,3

Значення рівня шуму та вібрації (векторна сума трьох векторів) відповідно до стандарту EN60745-2-3:

L_{PA} (рівень тиску звукового випромінювання)	дБ(А)	77
L_{WA} (рівень звукової потужності)	дБ(А)	88
K (похибка для даного рівня гучності)	дБ(А)	2
Значення вібрації $ah =$		
	м/с ²	< 2,5
Похибка K =		
	м/с ²	1,5

Значення вібрації та/або шуму, наведене в цьому документі, було виміряне згідно зі стандартизованим тестом, викладеним в EN60745 та може використовуватись для порівняння інструментів. Це значення вібрації можна також використовувати для попередньої оцінки впливу вібрації.



ПОПЕРЕДЖЕННЯ: Заявлене значення вібрації та/або шуму відповідає вимогам цільового використання інструмента. Однак якщо інструмент використовується для виконання інших завдань, або з іншими витратними матеріалами/насадками, або не обслуговується належним чином, значення вібрації та/або шуму може відхилятися. Це може значно збільшити рівень впливу протягом усього періоду роботи.

Оцінка рівня впливу вібрації та/або шуму має враховувати час, протягом якого інструмент є вимкненим, а також час, протягом якого він є ввімкненим, але не використовується. Це може значно зменшити рівень впливу протягом усього періоду роботи.

Визначення додаткових заходів безпеки для захисту оператора від впливу вібрації та/або шуму: технічне обслуговування інструмента та приладдя, утримання рук у теплі (має значення для вібрації), організація режиму роботи.

Декларація про відповідність ЄС ДИРЕКТИВА ДЛЯ МЕХАНІЧНОГО ОБЛАДНАННЯ



Шліфувальна машина для стін та стелі DWE7800

DEWALT заявляє, що продукти, описані в розділі **Технічні дані**, відповідають наступним вимогам:

2006/42/EC, EN60745-1:2009+A11:2010, EN60745-2-3:2011+A2:2013+A11:2014+A12:2014+A13:2015.

Ці продукти також відповідають вимогам Директив 2014/30/EU та 2011/65/EU. Для отримання додаткової інформації звертайтеся до компанії DEWALT за зазначеною нижче адресою або на зворотному боці цього посібника.

Нижчепідписаний несе відповідальність за складення файлу технічних характеристик та робить цю заяву від імені компанії DEWALT.

Маркус Ромпель

Віце-президент з інженерно-технічного забезпечення, PTE-Europe

DEWALT, Richard-Klinger-Straße 11,
D-65510, Idstein, Німеччина
17.12.2021



ПОПЕРЕДЖЕННЯ: Уважно прочитайте керівництво з експлуатації для зниження ризику отримання травм.

Позначення: інструкції з техніки безпеки

Умовні позначення, наведені нижче, описують рівень важливості кожної попереджувальної вказівки. Прочитайте керівництво з експлуатації та зверніть увагу на символи, наведені нижче.



НЕБЕЗПЕЧНО: Указує на безпосередню загрозу, яка, якщо її не уникнути, призведе до смерті або серйозної травми.



ПОПЕРЕДЖЕННЯ:

Вказує на потенційну загрозу, ігнорування якої може призвести до смерті або серйозної травми.



УВАГА: Вказує на потенційну загрозу, ігнорування якої може призвести до травми легкої або середньої тяжкості.

ПРИМІТКА: Вказує на ситуацію, **не пов'язану з особою травмою**, ігнорування цієї ситуації може призвести до пошкодження майна.



Вказує на ризик ураження електричним струмом.



Вказує на ризик виникнення пожежі.

ЗАГАЛЬНІ ПРАВИЛА БЕЗПЕКИ ПРИ ЕКСПЛУАТАЦІЇ ЕЛЕКТРИЧНОГО ІНСТРУМЕНТА



ПОПЕРЕДЖЕННЯ: Ознайомтеся з усіма попередженнями, інструкціями з техніки безпеки, зображеннями та специфікаціями, які поставляються з даним електричним інструментом. Невиконання нижченаведених інструкцій може призвести до ураження електричним струмом, пожежі та/або серйозних тілесних ушкоджень.

ЗБЕРІГАЙТЕ ВСІ ПОПЕРЕДЖЕННЯ ТА ІНСТРУКЦІЇ ДЛЯ ПОДАЛЬШОГО ВИКОРИСТАННЯ

Термін «електричний інструмент» в усіх попередженнях стосується використовуваних вами інструментів, що живляться від мережі енергопостачання (з електричним кабелем) або від акумуляторів (без кабелю).

1) Безпека робочої зони

- Робоча зона завжди має бути чистою та добре освітленою.** Захаращена або темна робоча зона призводить до нещасних випадків.
- Не використовуйте електричні інструменти у вибухонебезпечній атмосфері, наприклад поруч із вогненебезпечними рідинами, газами та пилом.** Електричні інструменти створюють іскри, що можуть запалити пил або пару.
- Тримайте дітей та сторонніх подалі під час використання інструмента.** Відвернення уваги може призвести до втрати контролю.

2) Електрична безпека

- Вилка електричного інструмента повинна відповідати розетці. Ніколи жодним чином не змінюйте вилку. Не використовуйте адаптери з замкнутими на землю (заземленими) електричними інструментами.** Немодифіковані вилки та розетки, що підходять до них, зменшують ризик ураження електричним струмом.
- Уникайте контакту тіла з заземленими поверхнями, такими як труби, радіатори, плити та холодильники.** Якщо ваше тіло заземлене, збільшується ризик ураження електричним струмом.
- Не залишайте електричні інструменти під дощем або в умовах підвищеної вологості.** Вода, що потрапляє в електричний інструмент, підвищує ризик ураження електричним струмом.
- Не використовуйте кабель живлення не за призначенням. Ніколи не переносьте, не тягніть**

та не відключайте електричний інструмент від розетки живлення за допомогою шнура. Тримайте шнур подалі від високих температур, мастила, гострих предметів та рухомих деталей. Пошкоджені або перекручені шнури підвищують ризик ураження електричним струмом.

- При використанні електричного інструмента на вулиці, використовуйте подовжувальний шнур, що підходить для використання на вулиці.** Використання шнура, що призначений для використання поза приміщенням, знижує ризик ураження електричним струмом.
- Якщо неможливо уникнути використання електричного інструмента в умовах підвищеної вологості, використовуйте живлення, захищене пристроєм залишкового струму (RCD).** Використання RCD знижує ризик ураження електричним струмом.

3) Особиста безпека

- Будьте в стані готовності, дивіться, що ви робите, та будьте розсудливі, працюючи з електричним інструментом. Не використовуйте електричний інструмент, коли ви втомлені або знаходитесь під впливом наркотичних речовин, алкоголю або ліків.** Втрата уваги під час роботи з електричними інструментами може призвести до серйозних травм.
- Використовуйте особисті засоби безпеки. Завжди використовуйте засоби захисту очей.** Засоби безпеки, такі як протипилова маска, неслизькі безпечні черевики, захисний шолом та засоби захисту слухового апарату при використанні для відповідних умов зменшують імовірність особистих травм.
- Уникайте випадкового запуску. Переконайтесь в тому, що вимикач знаходиться в позиції Вимк., перш ніж підключати інструмент до джерела живлення та/або акумулятора, переміщувати або переносити.** Може статися нещасний випадок, коли ви переносите інструмент, тримаючи палець на вимикачі, або підключаєте живлення до вимикача в позиції Увімк.
- Зніміть усі ключі для регулювання або гайкові ключі, перш ніж вмикати електричний інструмент.** Гайковий ключ, що залишився прикріпленим до якоїсь деталі електричного пристрою, що обертається, може призвести до травм.
- Не прикладайте надмірного зусилля. Завжди утримуйте правильну постановку ніг і рівновагу.** Це дає вам змогу краще контролювати інструмент в неочікуваних ситуаціях.
- Одягайтеся відповідним чином. Не вдягайте вільний одяг або прикраси. Тримайте ваше волосся та одяг подалі від рухомих деталей.** Вільний одяг, прикраси або довге волосся можуть зачепитися за рухомі деталі.

- g) Якщо передбачені пристрої для підключення до засобів виділення та збирання пилу, переконайтеся, що вони правильно підключені та використовуються. Використання таких пристроїв зменшує ризик виникнення небезпечних ситуацій, що пов'язані з потраплянням пилу.
- h) **Навіть якщо ви добре знаєте інструмент та часто його використовуєте, не розслабляйтесь та не забувайте про принципи техніки безпеки.** Необережні дії можуть за долю секунди призвести до важких тілесних ушкоджень.

4) Використання електричного інструмента та догляд за ним

- a) **Не прикладайте надмірних зусиль під час роботи з інструментом.** Використовуйте електричний інструмент, який відповідає завданню, що виконується. Правильно обраний інструмент виконає завдання краще та безпечніше за умов, для яких він був розроблений.
- b) **Не використовуйте інструмент, якщо його неможливо ввімкнути та вимкнути за допомогою вимикача.** Будь-який електричний інструмент, яким неможливо керувати за допомогою вимикача, є небезпечним і має бути відремонтований.
- c) **Якщо вилка змінна, відключіть її від джерела живлення та/або вийміть акумулятор, перш ніж виконувати будь-які налаштування, змінювати додаткове обладнання або зберігати інструмент.** Ці профілактичні заходи зменшують ризик випадкового запуску електричного інструмента.
- d) **Зберігайте вимкнені електричні інструменти в недоступному для дітей місці та не дозволяйте особам, що не знайомі з електричним інструментом або цими інструкціями, використовувати електричний інструмент.** Електричні інструменти є небезпечними, якщо вони використовуються некваліфікованими користувачами.
- e) **Технічне обслуговування електричних інструментів та приладдя.** Перевіряйте неспівбісність, заїдання рухомих деталей, наявність пошкоджених частин та інших факторів, які можуть впливати на роботу електричного інструмента. Якщо є пошкодження, відремонтуйте електричний інструмент перед використанням. Нещасні випадки часто є результатом того, що інструмент не пройшов відповідного технічного обслуговування.
- f) **Різальні інструменти мають бути гострими та чистими.** Правильно доглянуті різальні інструменти з гострими різальними кромками мають меншу імовірність заїдання, та ними легше керувати.
- g) **Використовуйте електричний інструмент, додаткові інструменти та деталі**

інструменту тощо у відповідності до цих інструкцій та відповідно до даного типу електричних інструментів, зважаючи на умови використання та роботу, яка має бути виконана. Використання електричних інструментів не за призначенням може призвести до виникнення небезпечних ситуацій.

- h) **Всі ручки та поверхні для тримання інструмента мають бути сухими, без залишків мастила.** Слизькі ручки та поверхні для тримання не дозволяють безпечно працювати та контролювати інструмент у неочікуваних ситуаціях.

5) Обслуговування

- a) **Надавайте ваш електричний інструмент для обслуговування кваліфікованим спеціалістом з ремонту та використовуйте тільки ідентичні замінні деталі.** Це забезпечить безпеку електричного пристрою.

ДОДАТКОВІ СПЕЦІАЛЬНІ ПРАВИЛА ТЕХНІКИ БЕЗПЕКИ

Загальні попередження щодо дотримання техніки безпеки під час робіт з шліфування

- a) **Цей електричний інструмент призначений для шліфування. Ознайомтеся з усіма попередженнями, інструкціями з техніки безпеки, зображеннями та специфікаціями, які поставляються з цим електричним інструментом.** Невиконання наведених нижче інструкцій може призвести до ураження електричним струмом, пожежі та/або серйозних травм.
- b) **Цей електричний інструмент не рекомендується використовувати для виконання таких робіт, як полірування, шліфування, очищення металевою щіткою або розрізання.** Використання інструмента не за призначенням може бути небезпечним та призвести до особистих травм.
- c) **Не використовуйте приладдя, що не було розроблено спеціально для цього інструмента та не рекомендовано виробником.** Той факт, що приладдя можна прикріпити до інструмента, не гарантує безпечної роботи.
- d) **Номінальна швидкість приладдя повинна щонайменше дорівнювати максимальній швидкості, вказаній на електричному інструменті.** Приладдя з більшою швидкістю може зламатися та розлетітися.
- e) **Зовнішній діаметр та товщина вашого приладдя повинні знаходитись у рамках характеристики потужності цього**

- електричного інструмента.** Приладдя невідповідного розміру неможливо належним чином контролювати.
- f) **Приладдя з різьбленням повинно відповідати різьбленню шпинделя шліфувального станка. При встановленні приладдя з фланцем в отвір оправлення воно має відповідати діаметру фланця на інструменті.** Приладдя, яке не відповідає елементам кріплення електричного інструмента, може втрачати баланс, надмірно вібрувати та призводити до втрати контролю.
- g) **Не використовуйте пошкоджене приладдя. Перед кожним використанням необхідно оглянути приладдя, наприклад, абразивні диски на наявність пошкоджень та тріщин, диски-підшви – на наявність тріщин або надмірний знос, дровову щітку – на міцність з'єднань чи тріщини. Якщо електричний інструмент або приладдя падали, необхідно оглянути їх на пошкодження та встановити приладдя без дефектів. Після огляду та встановлення насадки відступіть на певну відстань та попросіть сторонніх відійти від площини обертання приладдя. Запустіть електричний інструмент при максимальній швидкості без навантаження та залиште його в робочому стані впродовж однієї хвилини. Пошкоджене приладдя зламається під час цього запуску.**
- h) **Використовуйте особисті засоби безпеки. У залежності від способу експлуатації інструмента слід використовувати захисний щиток, захисні окуляри або маску. За необхідності одягайте протипилову маску, засоби захисту слуху, рукавиці або робочий фартук, що захищать вас від попадання абразивних частинок або фрагментів заготовки. Захисні окуляри захищать вас від частинок, що здатні розлітатись під час певних видів робіт. Протипилова маска або респіратор повинні фільтрувати частинки, що утворюються під час роботи. Тривалий вплив шуму з високою інтенсивністю може призвести до втрати слуху.**
- i) **Сторонні особи повинні перебувати подалі від робочої зони. Будь-яка особа, яка наближається до робочої зони, повинна використовувати засоби особистого захисту. Фрагменти заготовки або уламки можуть відлетіти та призвести до травми, навіть поза безпосередньої зоною роботи.**
- j) **Розмістіть кабель подалі від приладдя, що обертається. Якщо ви втратите контроль, кабель може бути розрізаний або може зачепитися, а ваша рука або палець можуть потрапити до приладдя, що обертається.**
- k) **У жодному разі не кладіть інструмент, доки всі його деталі повністю не зупиняться. Приладдя,**
- що обертається, може захопити поверхню та потягнути електричний інструмент з рук.
- l) **Не тримайте увімкнений інструмент біля власного тіла. Випадковий контакт з приладдям, що обертається, може зачепити одяг, потягнувши інструмент до вашого тіла.**
- m) **Регулярно очищуйте вентиляційні отвори електричного інструмента.** Вентилятор двигуна буде втягувати пил всередину корпусу, надмірна кількість металевих частинок може призвести до ризику ураження електричним струмом.
- n) **Не використовуйте електричний інструмент біля легкозаймистих матеріалів. Іскри можуть викликати спалах цих матеріалів.**
- o) **Не використовуйте приладдя, що вимагає рідкого холодоагенту. Використання води чи інших рідких холодоагентів може призвести до ураження або удару електричним струмом.**

ДОДАТКОВІ ІНСТРУКЦІ З ТЕХНІКИ БЕЗПЕКИ ПРИ ВИКОНАННІ БУДЬ-ЯКИХ ОПЕРАЦІЙ З ЕЛЕКТРИЧНИМ ІНСТРУМЕНТОМ

Віддача та відповідні попередження

Віддача — це раптова реакція на затиснений або деформований поворотний диск, опорну прокладку, щітку або інші насадки. Затиснення або нерівності викликають різке уповільнення швидкості обертання рухомого приладдя, що, в свою чергу, викликає відхилення неконтрольованого електричного інструмента в напрямку протилежному напрямку обертання приладдя в місці зчеплення.

Наприклад, якщо абразивний диск затиснений заготовкою, край диска, що входить у зону затиснення, може увійти в поверхню матеріалу, спричиняючи віддачу диска. При цьому диск відскочить від оператора або на оператора, в залежності від напрямку руху диска в точці зіткнення. Абразивні диски також можуть зламатися за цих умов.

Віддача є результатом невільного використання та/або некоректної роботи або невідповідних умов роботи, яких можна уникнути, використовуючи відповідні заходи, наведені нижче.

- a) **Добре тримайте інструмент та розташуйте своє тіло та руки так, щоб можна було протистояти віддачі. Завжди використовуйте додаткову ручку, якщо така є, для максимального контролю віддачі або реактивного моменту при запуску.** Оператор може контролювати реактивний крутний момент або сили віддачі, якщо вжиті відповідні заходи.
- b) **Ніколи не розташуйте руки біля різальних поверхонь.** Може виникнути віддача приладдя через руку.
- c) **Не розташуйте своє тіло в зоні, куди буде рухатися інструмент у разі віддачі.**

Віддача призведе до руху інструмента в напрямку протилежному руху диска в точці заїдання.

- d) **Будьте особливо уважними коли обробляєте кути, гострі краї тощо. Уникайте відстрибування та заїдання приладдя.** Кути, гострі краї або відстрибування можуть призвести до затиснення приладдя та викликати втрату контролю або віддачу.
- e) **Не прикріплюйте полотно для різьблення ланцюгової пилки чи зубчастого полотна.** Такі пильні полотна призводять до частих віддач та втрати контролю.

Додаткові інструкції з техніки безпеки при виконанні операцій шліфування з електричним інструментом

- a) **Не використовуйте папір для наждакових дисків зavelикого розміру. При виборі паперу для наждакових дисків дотримуйтесь рекомендацій виробників. Наждаковий папір більшого розміру, що виступає за основу для полірування, представляє небезпеку та може спричинити обдирання, розривання диску або віддачу.**

Додаткові правила з техніки безпеки при роботі зі шліфувальними машинами

⚠ УВАГА! Вдихання пилу, що утворюється при шліфуванні може бути небезпечним для здоров'я оператора та навіть спостерігачів. Використовуйте протипилу маску, яка призначена спеціально для захисту від токсичного пилу та випаровувань, та переконайтесь, що особи, які знаходяться в робочій зоні, також використовують засоби захисту. Не працюйте з пристроєм без системи пилівідводу.

⚠ УВАГА! При шліфуванні чорних металів використовуйте інструмент у добре вентильованих місцях. Не використовуйте інструменти біля вогнєнебезпечних рідин, газів та пилу. Іскри або гарячі частинки, що утворюються під час шліфування або від щіток мотора, можуть запалити легкозаймисті матеріали.

⚠ УВАГА! Не використовуйте касету пилового фільтра або адаптер для видалення пилу для зберігання предметів.

Шліфування фарби

⚠ УВАГА! Дотримуйтесь відповідних заходів безпеки при шліфуванні фарбованих поверхонь. Звертайте особливу увагу на наступне:

- Якщо можливо, використовуйте пилосос для збирання пилу.
- Будьте особливо обережні під час шліфування фарби, яка може містити свинець:

- Не дозволяйте дітям та вагітним жінкам заходити в робочу зону. Всі особи, які входять до робочої зони, повинні вдягати протипилу маску, розроблену для захисту від пилу та випаровувань, що утворюються при шліфуванні фарби на основі свинцю. Забороняється їсти, пити та палити в робочій зоні.
- Безпечно ліквідуйте пил та інше сміття, яке можна прибрати.

Залишкові ризики

⚠ УВАГА: Ми рекомендуємо використовувати пристрій з керуванням диференційним струмом з номінальним значенням диференційного струму 30 мА або менше.

Дотримання всіх правил техніки безпеки та застосування пристроїв безпеки не гарантує уникнення певних залишкових ризиків. До такого переліку належать:

- Порушення слуху.
- Ризик тілесних ушкоджень через частинки, які розлітаються.
- Ризик опіків через нагрівання приладдя під час роботи.
- Ризик тілесних ушкоджень через занадто тривале використання.

ЗБЕРІГАЙТЕ ЦІ ІНСТРУКЦІЇ

Електрична безпека

Електричний двигун розроблений для роботи лише з одним значенням напруги. Завжди перевіряйте відповідність джерела живлення напрузі, яка зазначена на табличці з паспортними даними.

Якщо кабель живлення пошкоджений, його має замінювати лише фахівець компанії DEWALT або офіційний сервісний центр.

Заміна мережевої вилки (тільки для Великої Британії та Ірландії)

Якщо потрібно встановити нову вилку, виконайте кілька дій:

- Зніміть стару вилку та утилізуйте її, дотримуючись правил техніки безпеки.
- Приєднайте коричневий провідник до активного виходу вилки.
- Приєднайте блакитний провідник до нейтрального виходу.
- Приєднайте зелений/жовтий провідник до виходу заземлення.

⚠ УВАГА! Ми рекомендуємо використовувати захисний пристрій відключення з номінальним значенням диференційного струму 30 мА або менше.

Дотримуйтесь інструкцій щодо встановлення, які постачаються з якісними вилками. Плавкий запобіжник, що рекомендується: **13 А**.

Використання електричного подовжувача

Якщо необхідний подовжувач, використовуйте рекомендований 3-жильний подовжувальний шнур, що підходить для споживаної потужності інструмента (див. **Технічні характеристики**). Мінімальний розмір провідника становить 1,5 мм²; максимальна довжина – 30 м. При використанні кабельного барабану завжди витягуйте весь кабель.

Комплект поставки

До комплекту входить:

- 1 Шліфувальна машина для гіпсокартону
- 1 Посібник з експлуатації
- *Перевірте інструмент, деталі та приладдя на пошкодження, що могли виникнути під час транспортування.*
- *Перед використанням уважно прочитайте та повністю зрозумійте цей посібник.*

Маркування інструмента

На інструменті є наступні піктограми:



Прочитайте інструкції цього керівництва перед використанням.



Використовуйте засоби захисту органів слуху.



Використовуйте засоби захисту очей.

Розташування коду дати (Рис. [Fig.] А)

Код дати **7**, що включає також рік виробництва, зазначений на корпусі.

Приклад:

2021 XX XX

Рік виробництва

Опис (рис. А)



УВАГА! Ніколи не модифікуйте електричні інструменти або їх деталі. Це може призвести до пошкодження майна або тілесних ушкоджень.

- 1 Двопозиційний пересувний перемикач
- 2 Дисковий регулятор швидкості
- 3 Основна ручка
- 4 Основна труба
- 5 Порт для видалення пилу
- 6 Шліфувальна підшова

Сфера застосування

Ця шліфувальна машина для гіпсокартону призначена для професійного шліфування гіпсокартонних конструкцій стель і стін, а також для видалення фарби, покриттів, залишків шпалер та нещільної штукатурки.

Не використовуйте за умов підвищеної вологості або в присутності легкозаймистих рідин та газів.

Ця шліфувальна машина для стін та стелі є професійним електричним інструментом.

Не дозволяйте дітям підходити на небезпечну відстань та торкатися інструмента. Використання інструмента недосвідченими операторами потребує нагляду.

- **Діти та хворі люди.** Цей пристрій не призначений для експлуатації дітьми та особами з обмеженими розумовими та фізичними можливостями без стороннього контролю.
- Цей пристрій не призначений для використання особами (включаючи дітей) із зниженими фізичними, сенсорними або розумовими можливостями або особами, яким бракує досвіду або знань за винятком випадків, коли такі особи працюють під наглядом особи, яка несе відповідальність за їх безпеку. Не можна залишати дітей наодинці з цим приладом.

МОНТАЖ ТА НАЛАШТУВАННЯ



ПОПЕРЕДЖЕННЯ: Щоб знизити ризик серйозних тілесних ушкоджень, вимкніть інструмент та відключіть акумулятор перед виконанням будь-яких налаштувань або змінням/встановленням додаткового обладнання або приладдя. Випадковий запуск може призвести до травм.

Встановлення шліфувальних дисків (рис. В)

Ваша DWE7800 шліфувальна машина для стін та стелі розрахована на використання 225-міліметрових шліфувальних дисків **8**. Шліфувальні диски для DWE7800 кріпляться за допомогою петель та гачків.

Рекомендовані шліфувальні диски можна додатково придбати у місцевого дилера або в авторизованому сервісному центрі DeWALT.

Встановлення шліфувального диску на шліфувальну підшову (рис. В)

1. Розверніть шліфувальну машину таким чином, щоб шліфувальна підшова **6** була спрямована догори.
2. Очистіть поверхню шліфувальної підшови від пилу.
3. Однією рукою фіксуйте шліфувальну підшову, попереджуючи її обертання.
4. Іншою рукою вирівняйте та встановіть шліфувальний диск **8** безпосередньо на шліфувальну підшову.

Пересувний перемикач (рис. С)



ОБЕРЕЖНО! Міцно тримайте бокову ручку та корпус інструмента, щоб не втратити контроль за ним під час запуску та використання, до моменту, коли приладдя перестане обертатися. Перед тим, як покласти інструмент, переконайтеся, що диск перестав обертатися.

ПРИМІТКА. Щоб зменшити ризик несподіваного руху інструмента, не вмикайте і не вимикайте його під навантаженням. Перед тим, як торкатися оброблюваної

поверхні, дайте шліфувальній машині розігнатися до повної швидкості. Підніміть інструмент з поверхні перед тим, як його вимкнути. Дайте інструменту повністю зупинитися перед тим, як покласти його.

⚠ УВАГА! *Перед підключенням інструменту до мережі живлення переконайтеся, що пересувний перемикач знаходиться у положенні Вимк.; для цього натисніть і відпустіть задню половину перемикача. Після будь-якого переривання подачі електрики до інструменту, наприклад, при спрацюванні пристрою аварійного вимкнення, автоматичного вимкача, при випадковому від'єднанні від джерела живлення або при виникненні збою електроживлення, завжди перевіряйте, що пересувний перемикач знаходиться у положенні Вимк., як було описано вище.*

Щоб увімкнути інструмент, змістіть двопозиційний пересувний перемикач **1** в сторону передньої частини інструменту. Щоб зупинити інструмент, відпустіть двопозиційний пересувний перемикач.

Для безперервного режиму роботи пересуньте перемикач у сторону передньої частини інструменту і натисніть на передню половину перемикача. Для вимкнення безперервного режиму роботи інструменту натисніть на задню половину пересувного перемикача і відпустіть.

Функція No-Volt (Без напруги)

Функція No-volt зупиняє перезавантаження шліфувальної машини без закилювання перемикача, якщо припиняється подача живлення.

Селектор контролю швидкості (рис. А)

Шліфувальна машина DWE7800 оснащена регулятором змінної швидкості. Налаштуйте швидкість, повертаючи селектор контролю швидкості **2**. Селектор контролю швидкості пронумеровани з 1 по 5. Значення «1» – найнижча швидкість (приблизно 1200 об/хв.), а «5» – найвища (приблизно 2400 об/хв.).

Для швидкого зняття шару залишків використовуйте більш високі значення швидкості. Використовуйте більш низьку швидкість, щоб знизити швидкість видалення для більш точного керування.

Щітковий фартух (рис. В)

Щітковий фартух **9** оточує абразивну підшову на DWE7800. Цей фартух служить двом цілям:

- Він простягається під поверхню абразивної підшови для запобігання «стиранню» абразиву під час роботи.
- Це допомагає утримувати пил зі стін та стелі до видалення пиლოსосом.

Якщо фартух пошкоджений або надмірно зношений, він повинен замінюватися в офіційному сервісному центрі компанії DEWALT.

Підключення пиლოსоса, сумісного з AirLock™ (рис. D, G)

Ваша шліфувальна машина для стін та стелі сумісна з системою підключення DEWALT AirLock™. The AirLock™ забезпечує швидке і надійне з'єднання між роз'ємом AirLock™ **13** і портом для видалення пилу на шліфувальній машині **5**.

1. Переконайтеся, що манжета на роз'ємі AirLock™ знаходиться в розблокованому положенні. (Див. рис. D.) Зіставте виїмки (14) на манжеті і роз'ємі AirLock™, як показано для положення розблокування і блокування.
2. Вставте роз'єм AirLock™ в гніздо адаптера.
3. Поверніть манжету в заблоковане положення.

ПРИМІТКА. Кулькопідшипники всередині манжети входять в паз і фіксують з'єднання. Тепер електричний інструмент надійно підключений до пиლოსоса.

ПРИМІТКА: У разі пошкодження муфти **17** порту для видалення пилу користувач може її зняти і замінити. Муфта доступна в якості додаткового приладдя і може бути замінена за допомогою викрутки.

РЕЖИМ РОБОТИ

Інструкції з використання

- ⚠ ПОПЕРЕДЖЕННЯ:** *Завжди дотримуйтесь усіх інструкцій з техніки безпеки та відповідних норм.*
- ⚠ ПОПЕРЕДЖЕННЯ:** *Щоб знизити ризик серйозних травм, вимкніть інструмент та відключіть його від мережі живлення перед виконанням будь-яких налаштувань або змінням/встановленням насадок або приладдя. Випадковий запуск може призвести до травм.*

Належне положення рук (Рис. Е)

- ⚠ ПОПЕРЕДЖЕННЯ:** *Щоб знизити ризик серйозних травм, ЗАВЖДИ правильно розташуйте руки, як показано.*
- ⚠ ПОПЕРЕДЖЕННЯ:** *Щоб знизити ризик серйозних травм, ЗАВЖДИ надійно тримайте інструмент, щоб попередити випадкову віддачу.*

При правильному положенні рук необхідно одну руку тримати на основній ручці **3**, а іншу – на основній трубі **4**.

Шліфування стін та стелі (рис. Е)

⚠ УВАГА! *Для зниження ризику отримання травм ЗАВЖДИ використовуйте респіратор, схвалений для використання в умовах «пилу і туману».*

У шліфувальній машини для стін та стелі є шліфувальна голівка. Голівка може повертатися в декількох напрямках, дозволяючи абразивної підшови відповідати робочій поверхні. Ця дія дозволяє відшліфувати верхню, середню і нижню частину стику стіни або стелі без зміни положення.

1. Увімкніть перемикач пиლოსоса (I).
2. Увімкніть перемикач шліфувальної машини для стін та стелі.

3. Злегка прикладіть шліфувальну машину до робочої поверхні. Прикладайте тільки необхідний тиск, щоб вирівняти шліфувальну голівку з робочою поверхнею.
4. Прикладайте додатковий тиск, щоб задіяти абразивну підшову на робочій поверхні. Пересувайте шліфувальну машину внапуск, щоб згладити шпакатурну суміш до стану «тонкої кромки».
5. Прикладайте ТІЛЬКИ необхідний тиск, щоб абразивна підшова залишалася рівною по відношенню до робочої поверхні.
6. Підтримуйте постійний рух шліфувальної машини, поки абразивна підшова торкається робочої поверхні. Використовуйте рівний ковзний рух. Надмірний тиск, зупинка шліфувальної машини на робочій поверхні або переривчастий рух шліфувальної машини можуть привести до неприпустимих завихрень і нерівностей на робочій поверхні.

ПРИМІТКА. Не допускайте контакту абразивної підшови, що обертається, з гострими виступами. Контакт з виступаючими предметами (цвяхами, гвинтами, електричними коробками тощо) може серйозно пошкодити абразивну підшову.

Застереження при зніманні фарби

Шліфування поверхні з фарбою, що містить свинець, НЕ РЕКОМЕНДУЄТЬСЯ через складність контролю забрудненого пилю. Найбільш небезпечним отруєння свинцем є для дітей та вагітних жінок.

Оскільки без хімічного аналізу важко визначити, чи містить фарба свинець, ми рекомендуємо нижченаведені застережні заходи при обробці фарбованої поверхні.

1. ОСОБИСТА БЕЗПЕКА

- Діти та вагітні жінки не повинні знаходитись в робочій зоні при обробці фарбованих поверхонь до завершення прибирання.
- Слід вдягнути протипилову маску або респіратор при вході у робочу зону. Фільтр слід міняти щоденно або якщо оператору важко дихати. Зверніться до місцевого магазину для отримання протипилової маски, що відповідає вимогам N.I.O.S.H.
- У робочій зоні заборонено ЇСТИ, ПИТИ та ПАЛИТИ, щоб уникнути потрапляння частинок фарби в організм. Робочі повинні помитися ПЕРЕД тим, як їсти, пити або палити. Їжу, напої та цигарки не слід залишати у робочій зоні, де на них може потрапити пил.

2. БЕЗПЕКА НАВКОЛИШНЬОГО СЕРЕДОВИЩА

- Фарбу слід знімати так, щоб звести до мінімуму утворення пилю.
- Зони, де знімається фарба, слід закрити листами пластику товщиною 4 міл.
- Шліфування слід виконувати так, щоб скоротити потрапляння пилю за межі робочої зони.

3. ОЧИЩЕННЯ ТА УТИЛІЗАЦІЯ

- Всі поверхні робочої зони потрібно щоденно чистити пилосмоком ти та ретельно мити протягом всього

процесу обробки. Фільтрувальні мішки пилосмока потрібно часто міняти.

- Пластикові панелі потрібно зібрати та утилізувати разом с пилом та іншим сміттям. Їх потрібно помістити у закритий контейнер для сміття та викинути звичайним способом збирання сміття. Під час прибирання діти та вагітні жінки повинні знаходитись подалі від робочої зони.
- Всі іграшки, меблі та посуд, що використовуються дітьми, потрібно ретельно помити перед наступним використанням.

ТЕХНІЧНЕ ОБСЛУГОВУВАННЯ

Ваш електричний інструмент призначений для роботи протягом довгого часу з мінімальним обслуговуванням. Довга задовільна робота приладу залежить від належного обслуговування приладу та регулярного його очищення.



ПОПЕРЕДЖЕННЯ: Щоб знизити ризик серйозних травм, вимкніть інструмент та відключіть його від мережі живлення перед виконанням будь-яких налаштувань або змінням/встановленням насадок або приладдя.

Випадковий запуск може призвести до травм.



Змащування

Ваш електричний інструмент не вимагає додаткового змащування.



Очищення



ПОПЕРЕДЖЕННЯ: Коли пил та бруд стають помітними та починають накопичуватися біля вентиляційних отворів, вивувайте бруд та пил зсередини основного корпусу за допомогою сухого повітря. Використовуйте рекомендовані засоби захисту органів зору та рекомендовану протипилову маску при виконанні цієї операції.



ПОПЕРЕДЖЕННЯ: Ніколи не використовуйте розчинники та інші агресивні хімічні засоби для очищення неметалевих деталей інструмента. Такі хімічні речовини можуть нанести шкоду матеріалам, що використовуються в цих деталях. Використовуйте вологу ганчірку, змочену лише водою з м'яким милом. Не дозволяйте рідині потрапляти всередину інструмента та ніколи не занурюйте деталі інструмента в рідину.

Додаткові аксесуари



ПОПЕРЕДЖЕННЯ: Оскільки інше приладдя, що не зазначене виробником DEWALT, не перевірялося з цим пристроєм, його використання з інструментом може бути небезпечним. Необхідно

використовувати лише рекомендовані DeWALT приладдя з цим пристроєм, щоб знизити ризик отримання травми.

Зверніться до свого дилера для отримання подальшої інформації щодо відповідного приладдя.

Зберігання

- *Вимкніть інструмент*
- *Завжди зберігайте інструменти відключеними від джерела живлення!*
- *Зберігайте інструмент в максимально прохолодному та сухому місці.*
- *Зберігайте інструмент в місцях, недоступних для дітей або сторонніх осіб.*
- *Не кладіть електричний інструмент шліфувальною головною вниз – завжди кладіть його на підлогу так, щоб він лежав на боці щітковим кільцем вниз. В іншому випадку шліфувальна підшова може деформуватися.*
- *Перед тривалим зберіганням перевірте інструмент на наявність пошкоджень.*

Транспортування



ОБЕРЕЖНО! *Випадковий запуск при транспортуванні!*

- *Завжди транспортуйте інструменти відключеними від джерела живлення!*
- *Перед транспортуванням перевірте інструмент на наявність пошкоджень.*

Захист навколишнього середовища



Роздільний збір. Пристрої позначені цим символом, не можна викидати зі звичайним побутовим сміттям.

Пристрої містять матеріали, які можна відновити та переробити, що зменшить потребу у сировині. Утилізуйте електротехнічну продукцію відповідно до місцевих положень. Більш детальну інформацію можна отримати на сайті www.2helpU.com.



Виробник:
"Stanley Black & Decker Deutschland
GmbH" Black-&-Decker Str.40, D-65510
Idstein, Німеччина

DEWALT

ГАРАНТІЙНИЙ ТАЛОН

**3 РОКИ
ГАРАНТІЇ**

1. Вітаємо Вас з покупкою високоякісного виробу DEWALT і висловлюємо вдячність за Ваш вибір.
2. При покупці виробу вимагайте перевірки його комплектності і справності у Вашій присутності, інструкцію з експлуатації та заповнений гарантійний талон українською мовою. В гарантійному талоні повинні бути внесені: модель, дата продажу, серійний номер, дата виробництва інструменту, назва, печатка і підпис торгової організації. За відсутності у Вас правильно заповненого гарантійного талону, а також при невідповідності зазначених у ньому даних ми будемо змушені відхилити Ваші претензії щодо якості даного виробу.
3. Щоб уникнути непорозумінь, переконливо просимо Вас перед початком роботи з виробом уважно ознайомитися з інструкцією з його експлуатації. Правовою основою справжніх гарантійних умов є чинне Законодавство. Гарантійний термін на даний виріб складає 36 місяці і обчислюється з дня продажу. У разі усунення недоліків виробу, гарантійний строк продовжується на період його перебування в ремонті. Термін служби виробу становить 5 років з дня продажу.
4. У разі виникнення будь-яких проблем у процесі експлуатації виробу рекомендуємо Вам звертатися тільки в уповноважені сервісні центри DEWALT, адреси та телефони яких Ви зможете знайти в гарантійному талоні, на сайті www.2helpU.com або дізнатися в магазині. Наші сервісні станції - це не тільки кваліфікований ремонт, але і широкий асортимент запчастин і аксесуарів.
5. Виробник рекомендує проводити періодичну перевірку і технічне обслуговування виробу в уповноважених сервісних центрах.
6. Наші гарантійні зобов'язання поширюються тільки на несправності, виявлені протягом гарантійного терміну і викликані дефектами виробництва та \ або матеріалів.
7. Гарантійні умови не поширюються на несправності виробу, що виникли в результаті:
 - 7.1. Недотримання користувачем приписів інструкції з експлуатації виробу, застосування виробу не за призначенням, неправильного зберігання, використання приладдя, витратних матеріалів і запчастин, що не передбачені виробником.
 - 7.2. Механічного пошкодження (відколи, тріщини і руйнування) внутрішніх і зовнішніх деталей виробу, основних і допоміжних рукояток, мережевого кабелю, що викликані зовнішнім ударним або будь-яким іншим впливом
 - 7.3. Поتراплення у вентиляційні отвори та проникнення всередину виробу сторонніх предметів, матеріалів або речовин, що не є відходами, які супроводжують застосування виробу за призначенням, такими як: стружка, тирса, пісок, тін.
 - 7.4. Впливу на виріб несприятливих атмосферних і інших зовнішніх факторів, таких як дощ, сніг, підвищена вологість, нагрівання, агресивне середовище, невідповідність параметрів електромережі, що зазначені на інструменті.
 - 7.5. Стихійного лиха. Пошкодження або втрати виробу, що пов'язані з непередбаченими лихами, стихійними явищами, у тому числі внаслідок дії непереборної сили (пожежа, блискавка, потоп і інші природні явища), а також внаслідок перепадів напруги в електромережі та іншими причинами, які знаходяться поза контролем виробника.
8. Гарантійні умови не поширюються:
 - 8.1. На інструменти, що піддавалися розкриттю, ремонту або модифікації поза уповноваженим сервісним центром.
 - 8.2. На деталі, вузли та матеріали, що мають сліди природного зносу, такі як: приводні ремені і колеса, вугільні щітки, мастило, підшипники, зубчасті зчеплення редукторів, гумові ущільнення, сальники, направляючі ролики, муфти, вимикачі, бойки, штовхачі, столи тощо.
 - 8.3. На змінні частини: патрони, цанги, затискні гайки і фланці, фільтри, ножі, шліфувальні підшви, ланцюги, зірочки, пильні шини, захисні кожухи, пилки, абразиви, пильні і абразивні диски, фрези, свердла, бури тощо
 - 8.4. На несправності, що виникли в результаті перевантаження інструменту (як механічного, так і електричного), що спричинили вихід з ладу одночасно двох і більше деталей і вузлів, таких як: ротора і статора, обох обмоток статора, веденої і ведучої шестерень редуктора або інших вузлів і деталей. До безумовних ознак перевантаження виробу відносяться, крім інших: поява кольорів мінливості, деформація або оплвлення деталей і вузлів виробу, потемніння або обуглювання ізоляції проводів електродвигуна під впливом високої температури.

Товар отриманий в справному стані, без видимих ушкоджень, в повній комплектатції, перевірений у моїй присутності, претензій щодо якості товару не маю. З умовами гарантійного обслуговування ознайомлений і згоден.

П. І. Б. та підпис власника _____

Шановні клієнти, наша мережа авторизованих сервісних центрів постійно розширюється. Актуальну інформацію про обслуговування в місті, що цікавить вас, ви можете дізнатися на сайті

www.2helpU.com

Редакція ВК/12-12-2018

Інформація про інструмент

Найменування інструменту	
Модель	
Найменування продавця	
Дата продажу	

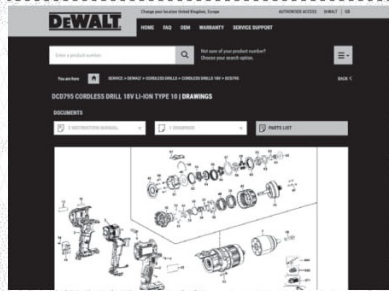
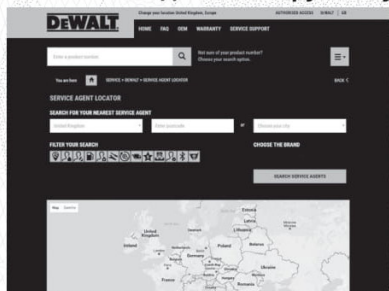
М.П.
Продавця

Серійний номер/Дата виробництва

Інструмент	
Зарядний пристрій	
Акумулятор 1	
Акумулятор 2	

На сайті www.2helpU.com доступні наступні функції:

- Список авторизованих сервісних центрів
- Зручний пошук найближчого сервісного центру
- Керівництво з експлуатації
- Технічні характеристики
- Список деталей і запасних частин
- Схема складання інструменту



Також дану інформацію ви можете отримати, зателефонувавши за номером:
0 (800) 211 521 в Україні

ВІДМІТКА ПРО ПРОВЕДЕННЯ СЕРВІСНОГО ОБСЛУГОВУВАННЯ

№1	№2	№3	№4
№ замовлення	№ замовлення	№ замовлення	№ замовлення
Дата прийому	Дата прийому	Дата прийому	Дата прийому
Дата ремонту	Дата ремонту	Дата ремонту	Дата ремонту
Печатка і підпис сервісного центру	Печатка і підпис сервісного центру	Печатка і підпис сервісного центру	Печатка і підпис сервісного центру

