

DEWALT®

www.DEWALT.com

D28715

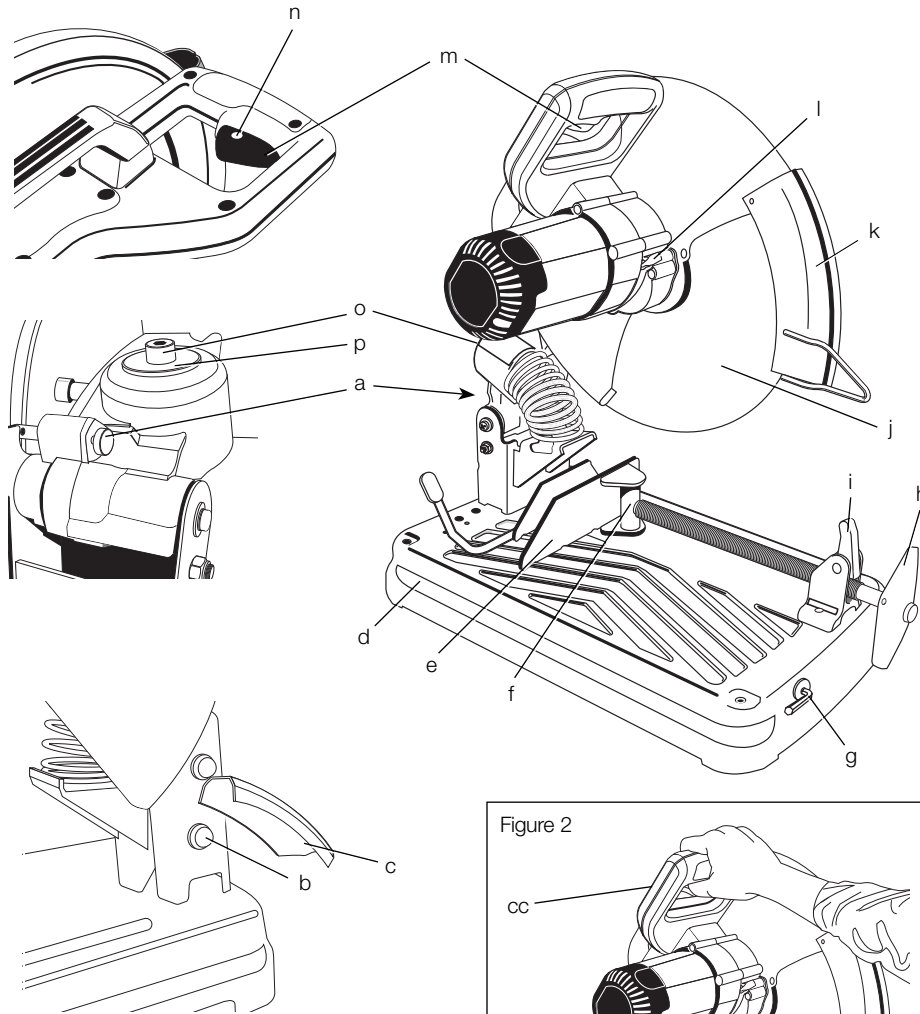
English (*original instructions*)

4

Français (*traduction de la notice d'instructions originale*)

12

Figure 1



0000 00-00

bb

Figure 2

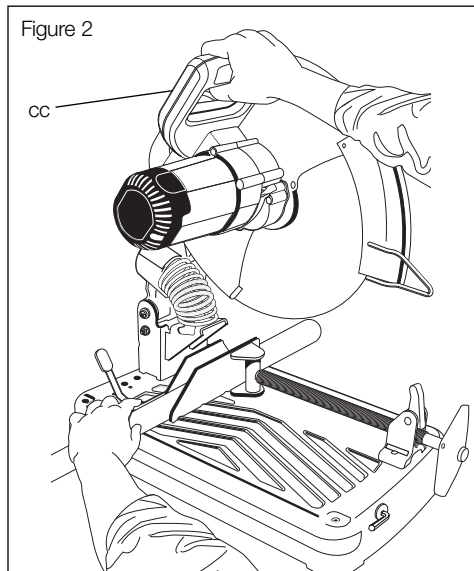


Figure 3

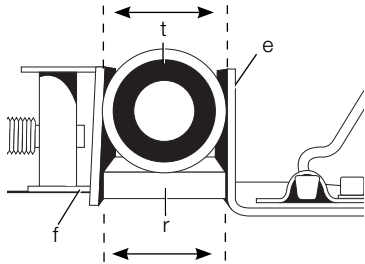


Figure 4

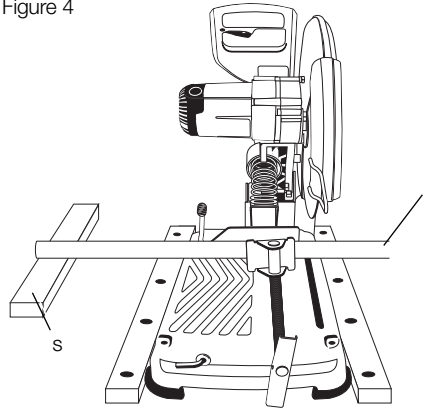


Figure 5

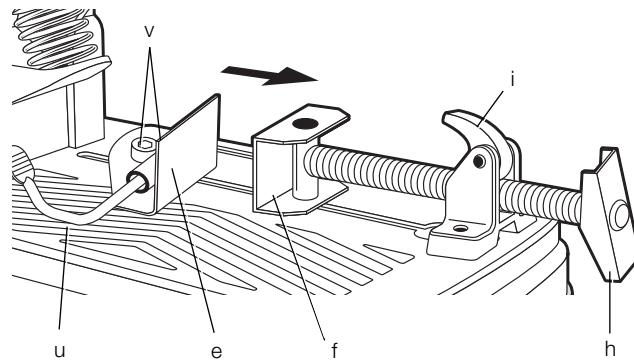


Figure 6

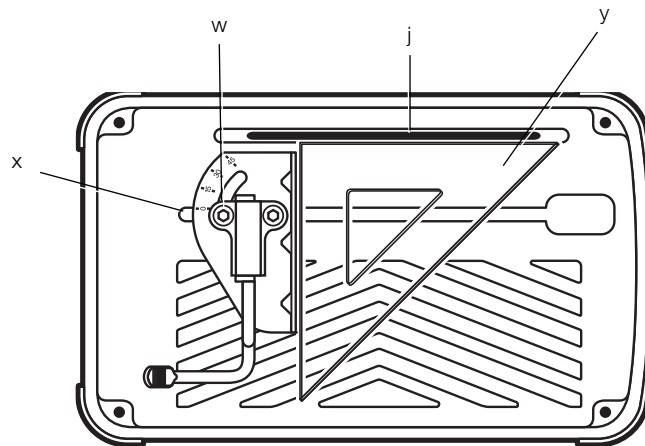


Figure 7

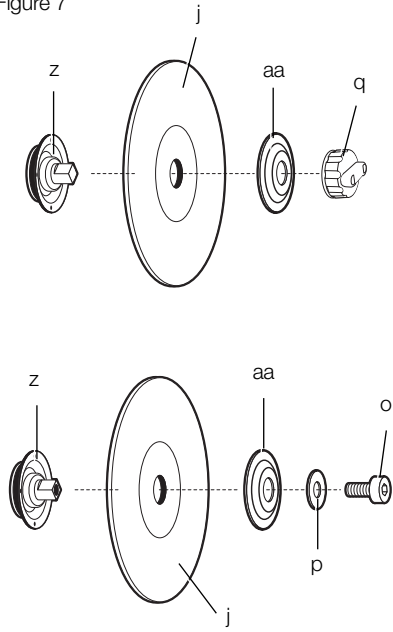


Figure 8

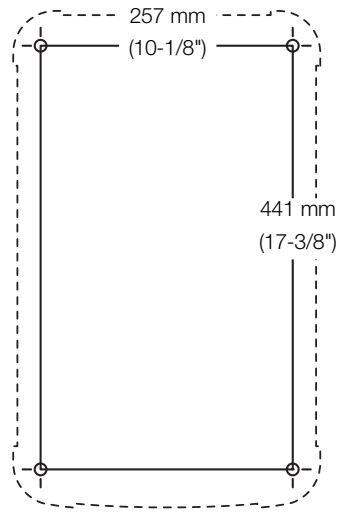
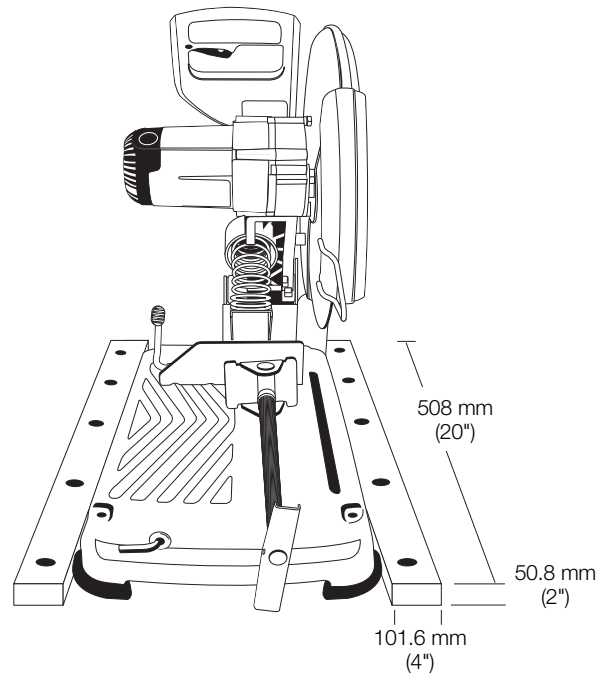


Figure 9



HEAVY-DUTY 355 mm (14") CHOP SAW WITH QUICK-CHANGE CLAMP D28715

Congratulations!

You have chosen a DEWALT tool. Years of experience, thorough product development and innovation make DEWALT one of the most reliable partners for professional power tool users.

Technical Data

		D28715
Voltage	V _{AC}	220/240
		120
Type		2
Power Input	W	2200
No-load speed	min ⁻¹	4000
Min. peripheral speed cutting disc	m/s	80
Disc diameter	mm	355
Disc bore	mm	25.4
Disc body thickness	mm	3.1
Type of cutting disc straight, non-recessed		
Cross-cutting capacity at 90°		
circular	mm	130
square	mm	120 x 120
rectangular	mm	100 x 200
angular	mm	140 x 140
Cross-cutting capacity at 45°		
circular	mm	130
square	mm	110 x 110
rectangular	mm	100 x 140
angular	mm	120 x 120
Weight	kg	18.5

Definitions: Safety Guidelines

The definitions below describe the level of severity for each signal word. Please read the manual and pay attention to these symbols.



DANGER: Indicates an imminently hazardous situation which, if not avoided, **will** result in **death or serious injury**.



WARNING: Indicates a potentially hazardous situation which, if not avoided, **could** result in **death or serious injury**.



CAUTION: Indicates a potentially hazardous situation which, if not avoided, **may** result in **minor or moderate injury**.

NOTICE: Indicates a practice **not related to personal injury** which, if not avoided, **may** result in **property damage**.



Denotes risk of electric shock.



Denotes risk of fire.



WARNING: To reduce the risk of injury, read the instruction manual.

Safety Instructions

When using power tools, always observe the safety regulations applicable in your country to reduce the risk of fire, electric shock and personal injury.

Read all of this manual carefully before operating the tool.

SAVE THIS MANUAL FOR FUTURE REFERENCE

General Safety Rules

1. Keep work area clean.

Cluttered areas and benches can cause accidents.

2. Consider work area environment.

Do not expose the tool to rain. Do not use the tool in damp or wet conditions. Keep the work area well lit (250 - 300 Lux). Do not use the tool where there is a risk of causing fire or explosion, e.g., in the presence of flammable liquids and gases.

3. Keep children away.

Do not allow children, visitors or animals to come near the work area or to touch the tool or the mains cable.

4. Dress properly.

Do not wear loose clothing or jewellery, as these can be caught in moving parts. Wear protective hair covering to keep long hair out of the way. When working outdoors, preferably wear suitable gloves and non-slip footwear.

5. Personal protection.

Always use safety glasses. Use a face or dust mask whenever the operations may produce dust or flying particles. If these particles might be considerably hot, also wear a heat-resistant apron. Wear ear protection at all times. Wear a safety helmet at all times.

6. Guard against electric shock.

Prevent body contact with earthed surfaces (e.g., pipes, radiators, cookers and refrigerators). When using the tool under extreme conditions (e.g., high humidity, when metal swarf is being produced, etc.), electric safety can be improved by inserting an isolating transformer or a (FI) earth-leakage circuit-breaker.

7. Do not overreach.

Keep proper footing and balance at all times.

8. Stay alert.

Watch what you are doing. Use common sense. Do not operate the tool when you are tired.

9. Secure workpiece.

Use clamps or a vice to hold the work piece. It is safer and it frees both hands to operate the tool.

10. Connect dust extraction equipment.

If devices are provided for the connection of dust extraction and collection facilities, ensure that these are connected and properly used.

11. Remove adjusting keys and wrenches.

Always check that adjusting keys and wrenches are removed from the tool before operating the tool.

12. Extension cables.

Before use, inspect the extension cable and replace if damaged. When using the tool outdoors, only use extension cables intended for outdoor use and marked accordingly.

13. Use appropriate tool.

The intended use is described in this instruction manual. Do not force small tools or attachments to do the job of a heavy-duty tool. The tool will do the job better and safer at the rate for which it was intended. Do not force the tool.



WARNING! The use of any accessory or attachment or performance of any operation with this tool other than those recommended in this instruction manual may present a risk of personal injury.

14. Check for damaged parts.

Before use, carefully check the tool and mains cable for damage. Check for misalignment and seizure of moving parts, breakage of parts, damage to guards and switches and any other conditions that may affect its operation. Ensure that the tool will operate properly and perform its intended function. Do not use the tool if any part is damaged or defective. Do not use the tool if the switch does not turn it on and off. Have any damaged or defective parts replaced by an authorised DEWALT repair agent. Never attempt any repairs yourself.

15. Unplug tool.

Switch off and wait for the tool to come to a complete standstill before leaving it unattended. Unplug the tool when not in use, before changing any parts of the tools, accessories or attachments and before servicing.

16. Avoid unintentional starting.

Do not carry the tool with a finger on the switch. Be sure that the tool is switched off before plugging in.

17. Do not abuse cord.

Never carry the tool by its cord. Never pull the cord to disconnect from the socket. Keep the cord away from heat, oil and sharp edges.

18. Store idle tools.

When not in use, tools must be stored in a dry place and locked up securely, out of reach of children.

19. Maintain tools with care.

Keep the tools in good condition and clean for better and safer performance. Follow the instructions for maintenance and changing accessories. Keep all handles and switches dry, clean and free from oil and grease.

20. Repairs.

This tool is in accordance with the relevant safety regulations. Have your tool repaired by an authorised DEWALT repair agent. Repairs should only be carried out by qualified persons using original spare parts; otherwise this may result in considerable danger to the user.

Additional Safety Instructions for Chop Saws

- Always wear regular working gloves while operating this tool.

ENGLISH

- Keep hands away from the cutting disc. Never cut workpieces that require manual action closer than 15 cm from the rotating cutting disc.
- Do not cut workpieces less than 1.2 mm in thickness when using the cutting disc supplied with this tool.
- Do not operate this tool without guards in place.
- Do not perform any operation freehand. Use the material clamp to clamp the workpiece securely.
- Never reach in the back of the cutting disc.
- Always position the tool on a flat, stable surface that is well maintained and free of loose materials, e.g., chips and cut-offs.
- Before using, inspect the cutting disc for cracks or flaws. Discard the cutting disc if a crack or flaw is evident.
- Make sure the cutting disc is not contacting the workpiece before the tool is switched on.
- In operation, avoid bouncing the cutting disc or giving it rough treatment. If this occurs, stop the tool and inspect the cutting disc.
- Do not operate the tool while standing in line with the cutting disc. Keep other persons away from the work area.
- Be aware of cutting chips and the material being cut. They may be sharp and hot. Allow cut off parts to cool before handling.
- The spark deflector becomes hot during use. Avoid touching or adjusting the spark deflector immediately after operation.
- Switch off the tool and wait for the cutting disc to stop before moving the workpiece or changing the settings.
- After switching off, never attempt to stop the cutting disc by pressing against the side of the disc.
- Do not use cutting fluids. These fluids could ignite or cause electrical shock.
- Check that the workpiece is properly supported.
- Use the cutting discs recommended by the manufacturer only. Do not use tools for purposes not intended; for example do not use circular saws to cut tree limbs or logs.
- The max. allowable speed of the cutting disc must always be equal to or greater than the no-load speed of the tool specified on the nameplate.
- Do not use cutting discs that do not conform to the dimensions stated in the technical data.
- Do not use damaged abrasive wheels.
- Use only abrasive wheels recommended by the manufacturer which have marked speed equal to or greater than that marked on the machine.
- Read the operating instructions supplied by the wheel manufacturer.
- Ensure that the abrasive wheel is correctly fitted and tightened before use.
- Let the tool run at no-load in a safe position for at least 30 seconds. If there is a considerable vibration or if any other defect occurs, stop the tool and check it to determine the cause.
- Do not use cutting discs for side grinding.
- Do not cut concrete, brick, tile or ceramic materials.
- Do not cut wood, plastic or synthetic materials.
- Do not cut cast-iron materials.
- Never cut magnesium materials.
- Do not cut electrically live material.
- Use this tool in a well-ventilated area. Do not operate the tool near flammable liquids, gases or dust. Sparks or hot chips from cutting or arcing motor brushes may ignite combustible materials.
- Regularly clear the ventilation slots when working in dusty conditions. If it should become necessary to clean the slots, remember to unplug the tool first.
- Always store cutting discs well-protected and in a dry place, out of reach of children.
- Faults in machine, including guards or cutter blades, should be reported as soon as they are discovered.
- Only use chop saw wheel of a max. thickness of 3.1 mm and a max. diameter of 355 mm.



WARNING! Use of this tool can generate dust containing chemicals known to cause cancer, birth defects or other reproductive harm. Use appropriate respiratory protection.

- The following factors are of influence to noise production:
 - the material to be cut
 - the type of the cutting disc
 - the feed force. Take appropriate measures for the protection of hearing.

Residual Risks

- The following risks are inherent to the use of these machines:
 - injuries caused by touching the rotating parts.
 - injuries caused by disruption of the cutting disc.
- These risks are most evident:
 - within the range of operation
 - within the range of the rotating machine parts
- In spite of the application of the relevant safety regulations and the implementation of safety devices, certain residual risks cannot be avoided. These are:
 - Impairment of hearing.
 - Risk of accidents caused by the uncovered parts of the rotating cutting disc.
 - Risk of injury when changing the disc.
 - Risk of squeezing fingers when opening the guards.

Markings on Tool

The following pictograms are shown on the tool:



Read instruction manual before use.



Wear ear protection.



Wear eye protection.



Bore Diameter

DATE CODE POSITION (FIG. 1)

The Date Code (bb), which also includes the year of manufacture, is printed into the housing.

Example:

2013 XX XX

Year of Manufacture

Package Contents

The package contains:

- 1 Chopsaw
- 1 Cutting disc
- 1 Hex key

1 Instruction manual

1 Exploded drawing

- Check for damage to the tool, parts or accessories which may have occurred during transport.
- Take the time to thoroughly read and understand this manual prior to operation.

Description (fig. 1, 7)



WARNING: Never modify the power tool or any part of it. Damage or personal injury could result.

- a. Lock pin
- b. Spark deflector screw
- c. Spark deflector
- d. Base
- e. Fence
- f. Vise
- g. 8 mm hex wrench
- h. Crank
- i. Vise lever
- j. Wheel
- k. Spark guard
- l. Wheel lock lever
- m. Trigger switch
- n. Padlock hole
- o. Extra blade bolt
- p. Extra blade bolt washer
- q. Quick-change blade clamp (fig. 7)

INTENDED USE

Your D28715 chop saw has been designed for the cutting of variously shaped steel materials.

DO NOT use under wet conditions or in presence of flammable liquids or gases.

The D28715 chop saw is a professional power tool.

DO NOT let children come into contact with the tool. Supervision is required when inexperienced operators use this tool.

- This product is not intended for use by persons (including children) suffering from diminished physical, sensory or mental abilities; lack of experience, knowledge or skills unless they are supervised by a person responsible for their safety. Children should never be left alone with this product.

Electrical Safety

The electric motor has been designed for one voltage only. Always check that the power supply corresponds to the voltage on the rating plate.



Your DEWALT tool is double insulated in accordance with EN 60745; therefore no earth wire is required.



WARNING: 120 V units have to be operated via a fail-safe isolating transformer with an earth screen between the primary and secondary winding.

If the supply cord is damaged, it must be replaced by a specially prepared cord available through the DEWALT service organisation.

Mains Plug Replacement (Middle East and Africa)

If a new mains plug needs to be fitted:

- Safely dispose of the old plug.
- Connect the brown lead to the live terminal in the plug.
- Connect the blue lead to the neutral terminal.



WARNING: No connection is to be made to the earth terminal.

Follow the fitting instructions supplied with good quality plugs. Recommended fuse: 13 A.

Using an Extension Cable

If an extension cable is required, use an approved extension cable suitable for the power input of this tool (see **Technical Data**). The minimum conductor size is 1.5 mm²; the maximum length is 30 m.

When using a cable reel, always unwind the cable completely.

Connecting to the Mains

The mains supply to be used for this machine must be equipped with a 16 A cut-out fuse with time delay.

Voltage Drops

In rush currents cause short-time voltage drops. Under unfavourable power supply conditions, other equipment may be affected. If the system impedance of the power supply is lower than 0.25 Ω, disturbances are unlikely to occur.

ASSEMBLY AND ADJUSTMENTS



WARNING: To reduce the risk of injury, turn unit off and disconnect machine from power source before installing and removing accessories, before adjusting or changing set-ups or when making repairs. Be sure the trigger switch is in the OFF position. An accidental start-up can cause injury.

OPERATION

Instructions for Use



WARNING: Always observe the safety instructions and applicable regulations.



WARNING: To reduce the risk of serious personal injury, turn tool off and disconnect tool from power source before making any adjustments or removing/installing attachments or accessories.

Proper Hand Position (fig. 2)



WARNING: To reduce the risk of serious personal injury, **ALWAYS** use proper hand position as shown.



WARNING: To reduce the risk of serious personal injury, **ALWAYS** hold securely in anticipation of a sudden reaction.

Proper hand position requires one hand on the main handle (cc), with the other hand guiding the workpiece.

Soft Start Feature

TIME DELAY RELAY (TDR)

The soft start feature allows a slow speed run-up over 300 ms to avoid an initial jerk when starting. This feature is also particularly useful when the installed fuse value is too low or not of inert character.

Cutting Capacity

The wide vise opening and high pivot point provide cutting capacity for many large pieces. Use the cutting capacity chart to determine total maximum size of cuts that can be made with a new wheel.



CAUTION: Certain large, circular or irregularly shaped objects may require additional holding means if they cannot be held securely in vise.



CAUTION: Do not cut magnesium with this tool. Damage to the saw and personal injury may result.

To Carry (fig. 1)

Fold down unit to position where you can carry the saw. Push in lock pin (a) to lock arm down.

Unlocking (fig. 1)

To unlock tool and raise head, depress motor arm slightly and pull lock pin (a) out. Motor arm will then pivot upward.

Material Clamping and Supporting (fig. 3, 4)

- Angles are best clamped and cut with both legs resting against base.
- A spacer block (r) slightly narrower than the workpiece (t) can be used to increase wheel utilization (fig. 3).
- Long workpieces must be supported by a block (s) so it will be level with top of base (fig. 4). The cut-off end (t) should be free to fall downward to avoid wheel binding.

Spark Deflector Adjustment (fig. 1)

To best deflect sparks away from surrounding persons and materials, loosen the screw (b), adjust the spark deflector (c) and then retighten screw.

NOTICE: Risk of property damage. Do not allow cordset to come into contact with deflector or sparks as damage to cordset may occur.

Vise Operation (fig. 5)

The vise has a quick travel feature. To release the vise (f) when it is clamped tightly, turn the crank (h) counterclockwise one or two times to remove clamping pressure. Lift the vise lever (i) up. Pull crank assembly out as far as desired. The vise may be shoved into work without cranking. Lower vise lever then tighten vise on work by using crank.

Fence Operation (fig. 5)



WARNING: To reduce the risk of injury, turn unit off and disconnect machine from power source before installing and removing accessories, before adjusting or changing set-ups or when making repairs. Be sure the trigger switch is in the OFF position. An accidental start-up can cause injury.

The fence (e) requires no tools to adjust. The quick-release clamp lever (u) unlocks and locks the fence. When the lever is rotated fully forward, the fence is unlocked. The fence can then be freely moved forward, backward or rotated to allow for the best cutting position for a new wheel and as the wheel wears.

Rotating the lever fully to the rear locks the fence in position selected. If the bottom leg of the lever is not horizontal (parallel to the base), the fence is not locked. Lever will only lock fence when there is strong resistance to moving it to rear. If resistance is light, adjust clamping force by tightening slightly the two bolts (v) holding the fence to the base. Test by reclamping and attempt to move fence.

Fence Angle Adjustment (fig. 6)



WARNING: To reduce the risk of injury, turn unit off and disconnect machine from power source before installing and removing accessories, before adjusting or changing set-ups or when making repairs. Be sure the trigger switch is in the OFF position. An accidental start-up can cause injury.

The angle adjustment indicator (w) is part of fence clamping system. Align the desired angle indicator line with the edge of the slot (x) in base.

FOR A MORE ACCURATE SQUARE CUT

1. Unlock the fence.
2. Push the arm down until the wheel extends into the base.
3. Place a square (y) against the wheel (j) and adjust the fence against the square.
4. Lock the fence into position.

Usage (fig. 1, 2)

Refer to figure 2 for proper body positioning during use.

To start the tool, depress the trigger switch (m). To turn the tool off, release the trigger switch. Keep hands and material from wheel until it has coasted to a stop.

To prevent unauthorized use of tool, install a standard padlock (not included) into the padlock hole (n) located in the trigger.

Removal and Installation of Wheels (fig. 1, 7)



WARNING: To reduce the risk of injury, turn unit off and disconnect machine from power source before

ENGLISH

installing and removing accessories, before adjusting or changing set-ups or when making repairs. Be sure the trigger switch is in the OFF position. An accidental start-up can cause injury.

The Quick-Change blade clamp requires no tools to change the blade.

1. Push in wheel lock lever (l) and rotate wheel (j) by hand until wheel lock lever engages slot in inside flange (z) to lock wheel. Loosen the Quick-Change blade clamp (q) counterclockwise. Clamp has right-hand thread.
2. Remove the Quick-Change blade clamp (q), blade clamp washer (aa) and old wheel (j) by hand.
3. Make sure flange surfaces are clean and flat. Install the new abrasive wheel by reversing the above steps.
4. Tighten the Quick-Change blade clamp clockwise until the knob clicks as least three times to ensure the knob is tight. The Quick-Change blade clamp cannot be overtightened.

NOTE: Do not overtighten bolt. An extra blade bolt (o) and blade bolt washer (p) are stored on the back of the motor arm. The bolt and washer must be used together to safely clamp blade.



WARNING: Risk of personal injury. Check the work surface that the chop saw rests on when replacing with a new abrasive wheel. It is possible that the wheel may contact ANY ITEMS OR STRUCTURE THAT EXTENDS ABOVE work surface (under the base) when the arm is fully lowered.

Mounting (fig. 8, 9)



CAUTION: Tool must be supported on stable, level, non-skid surface to prevent unexpected movement when operating.

PROCEDURE FOR PERMANENT MOUNTING

1. Drill four holes 8 mm (5/16") through the work surface (fig. 8).
2. Insert 1/4-20 screws down through the holes in the base and through holes in mounting surface. The approximate length of the screws should be the thickness of the mounting surface plus 101.6 mm (4").

CRADLE MOUNTING

1. Cut two boards approximately 508 x 50.8 x 101.6 mm (20" long x 2" high x 4" wide).

2. Place chop saw at desired work location.
3. Place boards tightly along side, and nail to work surface (fig. 9).

Operation Tips for More Accurate Cuts

- Allow the wheel to do the cutting. Excessive force will cause the wheel to glaze reducing cutting efficiency and/or to deflect causing inaccurate cuts.
- Properly adjust fence angle.
- Make sure material is laying flat across base.
- Properly clamp material to avoid movement and vibration.

MAINTENANCE

Your DEWALT power tool has been designed to operate over a long period of time with a minimum of maintenance. Continuous satisfactory operation depends upon proper tool care and regular cleaning.



WARNING: To reduce the risk of injury, turn unit off and disconnect machine from power source before installing and removing accessories, before adjusting or changing set-ups or when making repairs. Be sure the trigger switch is in the OFF position. An accidental start-up can cause injury.

NOTE: Unit may be converted to a three-wire twist lock cord set at an authorized service center.



Lubrication

Closed-type, grease-sealed ball bearings are used throughout. These bearings have sufficient lubrication packed in them at the factory to last the life of the chop saw.



Cleaning



WARNING: Blow dirt and dust out of the main housing with dry air as often as dirt is seen collecting in and around the air vents. Wear approved eye protection and approved dust mask when performing this procedure.



WARNING: Never use solvents or other harsh chemicals for cleaning the non-metallic parts of the tool. These chemicals may weaken the materials used in these parts. Use a cloth dampened only with water and mild soap. Never let any liquid get inside the tool; never immerse any part of the tool into a liquid.

You can check the location of your nearest authorised repair agent by contacting your local DEWALT office at the address indicated in this manual. Alternatively, a list of authorised DEWALT repair agents and full details of our after-sales service and contacts are available on the Internet at: www.2helpU.com.

Optional Accessories



WARNING: Since accessories, other than those offered by DEWALT, have not been tested with this product, use of such accessories with this tool could be hazardous. To reduce the risk of injury, only DEWALT recommended accessories should be used with this product.

Consult your dealer for further information on the appropriate accessories.

Use only high-strength Type 1 organic bonded wheels rated 4100 rpm or higher.

Protecting the Environment



Separate collection. This product must not be disposed of with normal household waste.

Should you find one day that your DEWALT product needs replacement, or if it is of no further use to you, do not dispose of it with household waste. Make this product available for separate collection.



Separate collection of used products and packaging allows materials to be recycled and used again. Re-use of recycled materials helps prevent environmental pollution and reduces the demand for raw materials.

Local regulations may provide for separate collection of electrical products from the household, at municipal waste sites or by the retailer when you purchase a new product.

DEWALT provides a facility for the collection and recycling of DEWALT products once they have reached the end of their working life. To take advantage of this service please return your product to any authorised repair agent who will collect them on our behalf.

SCIE FENDEUSE À USAGE INDUSTRIEL DE 355 MM (1/4") AVEC BRIDE À CHANGEMENT RAPIDE D28715

Félicitations !

Vous avez choisi un outil DEWALT. Des années d'expertise dans le développement et l'innovation de ses produits ont fait de DEWALT, le partenaire privilégié des utilisateurs professionnels d'outils électriques.

Caractéristiques techniques

		D28715
Voltage	V _{AC}	220/240 120
Type		2
Puissance absorbée	W	2200
Vitesse à vide	min ⁻¹	4000
Vitesse périphérique min. de la lame	m/s	80
Diamètre de la lame	mm	355
Alésage de la lame	mm	25,4
Disc body thickness	mm	3,1
Type de lame droite, non encastrée		
Capacité de la coupe transversale à 90 °		
circulaire	mm	130
perpendiculaire	mm	120 x 120
rectangulaire	mm	100 x 200
angulaire	mm	140 x 140
Capacité de la coupe transversale à 45 °		
circulaire	mm	130
perpendiculaire	mm	110 x 110
rectangulaire	mm	100 x 140
angulaire	mm	120 x 120
Poids	kg	18,5

Définitions : consignes de sécurité

Les définitions ci-après décrivent le degré de risques associé à chaque balise. Lire soigneusement la notice d'instructions et respecter ces symboles.



DANGER : indique une situation de danger imminent qui, si rien n'est fait pour l'éviter, **aura** comme conséquences la **mort ou des dommages corporels graves**.



AVERTISSEMENT : indique une situation de danger potentiel qui, si rien n'est fait pour l'éviter, **pourra** avoir comme conséquences la **mort ou des dommages corporels graves**.



ATTENTION : indique une situation de danger potentiel qui, si rien n'est fait pour l'éviter, **pourrait** avoir comme conséquences des **dommages corporels mineurs ou moindres**.

AVIS : indique une pratique ne **posant aucun risque de dommages corporels**, mais qui **par contre**, si rien n'est fait pour l'éviter, **pourrait** poser des **risques de dommages matériels**.



Indique des risques de décharges électriques.



Indique des risques d'incendie.



AVERTISSEMENT : pour réduire tout risque de dommages corporels, lire la notice d'instructions

Consignes de sécurité

Afin de réduire le risque d'incendie, d'électrocution et de blessures corporelles lors de l'utilisation d'outils électriques, observez scrupuleusement les consignes de sécurité en vigueur dans votre pays.

Lisez attentivement l'intégralité de ce manuel avant d'utiliser cet outil.

CONSERVEZ CE MANUEL POUR RÉFÉRENCE FUTURE

Instructions générales de sécurité

1. Maintenez l'espace de travail propre.

Un espace de travail et des établis en désordre peuvent entraîner des accidents.

2. Tenez compte des conditions ambiantes de votre espace de travail.

N'exposez pas l'outil à la pluie. N'utilisez pas l'outil dans un environnement humide ou mouillé. Maintenez l'espace de travail bien éclairé (250 à 300 lux). N'utilisez pas l'outil dans un endroit présentant un risque d'incendie ou d'explosion, par exemple en présence de liquides ou de gaz inflammables.

3. Tenez les enfants à l'écart.

Ne laissez pas les enfants, les visiteurs ou les animaux s'approcher de l'espace de travail ou de toucher l'outil ou le cordon d'alimentation.

4. Portez des vêtements adéquats.

Ne portez pas de vêtements amples ou de bijoux car les pièces mobiles peuvent les happer. Portez un filet à cheveux pour retenir les cheveux longs. Des chaussures antidérapantes et des gants adéquats sont recommandés pour le travail à l'extérieur.

5. Protection personnelle.

Portez toujours des lunettes de sécurité. Utilisez un écran facial ou un masque anti-poussière si le travail exécuté produit de la poussière ou des particules volantes. Portez aussi un tablier résistant à la chaleur si ces particules peuvent être très chaudes. Portez un serre-tête antibruit en tout temps. Portez constamment un casque de sécurité en tout temps.

6. Mesures de prévention contre l'électrocution.

Évitez tout contact physique avec des surfaces reliées à la terre (telles que tuyaux, radiateurs, cuisinières électriques et réfrigérateurs). Lorsque vous utilisez l'outil dans des conditions extrêmes (avec une humidité élevée, lorsque des copeaux métalliques sont produits, etc.), la sécurité électrique peut être améliorée en insérant un transformateur d'isolation ou un disjoncteur (différentiel) de fuites à la terre.

7. Ne vous penchez pas trop loin.

Maintenez votre équilibre en tout temps.

8. Restez vigilant.

Surveillez vos gestes. Faites preuve de bons sens. N'utilisez pas l'outil si vous êtes fatigué.

9. Fixez la pièce de travail.

Utilisez des attaches ou un étau pour maintenir la pièce de travail. Cela est plus sûr et vous permettra d'utiliser l'outil avec les deux mains.

10. Raccordez un dispositif d'aspiration de la poussière.

Si des accessoires sont fournis pour raccorder des dispositifs d'aspiration et de collecte de la poussière, vérifiez qu'ils sont bien raccordés et bien utilisés.

11. Retirez les clés de réglage ou autres clés.

Vérifiez toujours que les clés de réglage et autres clés ont été retirées de l'outil avant de l'utiliser.

12. Rallonges.

Avant toute utilisation, inspectez la rallonge et remplacez-la si elle est endommagée. Utilisez uniquement une rallonge conçue pour l'utilisation à l'air libre et portant le marquage correspondant si vous utilisez l'outil électrique à l'extérieur.

13. Utilisez l'outil adéquat.

L'utilisation prévue pour cet outil est décrite dans ce manuel. N'exigez pas de petits outils ou d'accessoires le rendement d'un outil résistant. Si vous utilisez l'outil électrique adéquat et respectez le régime pour lequel il a été conçu, il réalisera un travail de meilleure qualité et plus sûr. Ne forcez pas l'outil.



AVERTISSEMENT ! L'utilisation d'accessoires ou de pièces de fixation autres que ceux recommandés ou l'utilisation de cet outil à d'autres fins que celles recommandées dans ce manuel peut présenter un risque de blessure corporelle.

14. Inspectez les pièces.

Avant toute utilisation, vérifiez attentivement que l'outil et le cordon d'alimentation ne sont pas endommagés. Vérifiez que les pièces mobiles ne sont pas désalignées ou entravées, qu'il n'y a pas de pièces cassées, que les protections et les commutateurs ne sont pas endommagés ou la présence de toute autre condition susceptible d'affecter le bon fonctionnement de l'outil. Assurez-vous que l'outil fonctionnera correctement et conformément à l'utilisation pour laquelle il est conçu. N'utilisez pas l'outil si une pièce est endommagée ou défectueuse. N'utilisez pas l'outil s'il est impossible de l'allumer ou de l'éteindre par l'interrupteur. Faites remplacer toute pièce endommagée ou défectueuse par un réparateur agréé DEWALT. N'essayez jamais de réparer l'outil vous-même.

15. Débranchez l'outil.

Coupez l'alimentation et attendez que l'outil soit complètement arrêté avant de le laisser sans surveillance. Débranchez l'outil lorsque vous ne l'utilisez pas, avant de changer les pièces, les accessoires ou les pièces de fixation et avant de le réparer.

16. Évitez les démarrages intempestifs.

Ne transportez pas l'outil avec un doigt sur l'interrupteur. Vérifiez que l'interrupteur est sur la position Arrêt avant de brancher l'outil.

FRANÇAIS

17. **Ne maltraitez pas le cordon d'alimentation.**

N'utilisez jamais le cordon pour transporter l'outil. Ne tirez jamais sur le cordon pour débrancher le chargeur de la prise. Tenez le cordon à l'écart de sources de chaleur, de l'huile et de bords tranchants.

18. **Rangez les outils non utilisés.**

Lorsque vous ne les utilisez pas, rangez les outils dans un endroit sec et verrouillé hors de la portée des enfants.

19. **Entretenez vos outils avec soin.**

Maintenez l'outil propre et en bonne condition pour une meilleure performance sans risque. Suivez les instructions pour l'entretien et le remplacement des accessoires. Gardez l'ensemble des poignées et interrupteurs secs, propres et sans trace d'huile ou de graisse.

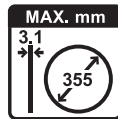
20. **Réparations.**

Cet outil est conforme aux réglementations de sécurité en vigueur. Faites réparer votre outil par un réparateur agréé DEWALT. Les réparations doivent être effectuées uniquement par un personnel qualifié avec des pièces de rechange d'origine, sous peine d'exposer l'utilisateur à un danger.

Consignes de sécurité supplémentaires pour les scies fendeuses

- Portez toujours des gants de travail appropriés lorsque vous utilisez cet outil.
- Tenez vos mains à l'écart de la lame. Ne découpez jamais des pièces de travail nécessitant une action manuelle à une distance de moins de 15 cm de la lame en rotation.
- Ne découpez pas de pièces de travail d'une épaisseur inférieure à 1,2 mm lorsque vous utilisez la lame fournie avec cet outil.
- Ne faites pas fonctionner cet outil si les protecteurs ont été retirés.
- N'exécutez aucune opération à la volée. Utilisez des dispositifs de serrage pour immobiliser la pièce de travail.
- N'insérez jamais la main vers l'arrière de la lame.
- Placez toujours l'outil sur une surface plane et stable, bien entretenue et débarrassée d'objets en vrac, comme des copeaux ou des morceaux découpés.
- Vérifiez que la lame n'est pas fissurée ou défectueuse avant utilisation. Mettez la lame au rebut si elle est fissurée ou défectueuse.
- Vérifiez que la lame n'entre pas en contact avec la pièce de travail avant de mettre l'outil sous tension.
- Évitez de faire rebondir la lame durant son fonctionnement ou de l'utiliser sans ménagement. Si la lame subit de tels traitements, arrêtez l'outil et inspectez cette dernière.
- N'utilisez pas l'outil en vous tenant devant la lame. Maintenez toute autre personne en dehors de l'espace de travail.
- Prenez garde aux copeaux et matériaux que vous découpez. Ils peuvent être chauds et tranchants. Laissez refroidir les morceaux découpés avant de les manipuler.
- Le déflecteur d'étincelles chauffe pendant l'utilisation. Évitez de le toucher ou de le régler juste après avoir utilisé l'outil.
- Mettez l'outil hors tension et attendez que la lame s'arrête avant de déplacer la pièce de travail ou de modifier les réglages.
- Après avoir mis l'outil sous tension, n'essayez jamais d'arrêter la lame en appuyant sur le flanc de la lame.
- N'utilisez pas de liquide de coupe. Ces liquides présentent un risque d'incendie ou d'électrocution.
- Assurez-vous que la pièce de travail est correctement soutenue.
- N'utilisez que les lames recommandées par le fabricant. N'utilisez pas l'outil à des fins autres que celles pour lesquelles il a été conçu. Par exemple, n'utilisez pas une scie fendeuse pour couper de grosses branches ou des bûches.
- La vitesse maximale admissible de la lame doit toujours être égale ou supérieure à la vitesse à vide de l'outil spécifiée sur la plaque signalétique.
- N'utilisez pas de lame non conforme aux dimensions indiquées dans les caractéristiques techniques.
- Ne pas utiliser de meules abrasives endommagées.
- Utiliser uniquement les meules abrasives recommandées par le fabricant et dont la vitesse indiquée est supérieure ou égale à la vitesse indiquée sur la machine.
- Lisez le mode d'emploi fourni par le fabricant du disque abrasif.
- Assurez-vous que le disque abrasif est bien mis en place et serré avant utilisation.

- Faites fonctionner l'outil à vide dans une position sûre pendant au moins 30 secondes. En cas de vibrations importantes ou autre défaillance de l'outil, arrêtez-le et inspectez-le pour en déterminer la cause.
- N'utilisez pas les lames pour procéder à un aiguisage latéral.
- Ne coupez pas de pièces en béton, brique, tuile ou céramique avec cet outil.
- Ne coupez pas de pièces en bois, plastique ou matière synthétique avec cet outil.
- Ne coupez pas de pièces en fonte avec cet outil.
- Ne coupez pas de pièces en magnésium avec cet outil.
- Ne coupez pas de pièces sous tension avec cet outil.
- Utilisez cet outil dans un endroit bien aéré. N'utilisez pas l'outil à proximité de liquides, de gaz ou de poussières inflammables. La découpe ou les balais du moteur peuvent faire jaillir des étincelles ou projeter des copeaux chauds, qui peuvent enflammer les matières combustibles.
- Dégagez régulièrement les fentes d'aération lorsque vous travaillez dans un environnement poussiéreux. S'il devient nécessaire de nettoyer les fentes, pensez à débrancher l'outil.
- Rangez toujours les lames dans un endroit sec et à l'abri, hors de la portée des enfants.
- Tout défaut de l'outil, y compris sur les protecteurs et l'outil de coupe, doit être signalé aussitôt découvert.
- N'utilisez qu'un disque abrasif pour scie fendeuse d'une épaisseur maximum de 3,1 mm et d'un diamètre maximum de 355 mm.



AVERTISSEMENT ! L'utilisation de cet outil peut produire de la poussière contenant des produits chimiques reconnus comme causant le cancer, des malformations congénitales ou d'autres risques pour la reproduction. Utilisez un dispositif de protection respiratoire approprié.

- Les facteurs suivants influent sur l'émission de bruit :
 - le matériau à couper ;
 - le type de lame utilisée ;

- la force d'avance. Prenez les mesures appropriées pour protéger votre ouïe.

Risques résiduels

- Les risques suivants sont inhérents à l'utilisation de ces outils :
 - blessures si vous touchez les pièces rotatives ;
 - blessures si la lame se détache.
- Ces risques sont plus évidents :
 - dans le champ même de l'utilisation ;
 - à portée immédiate des pièces rotatives de l'outil.
- Malgré l'application des réglementations de sécurité en vigueur et la mise en œuvre de dispositifs de sécurité, certains risques résiduels sont inévitables. Il s'agit de :
 - déficience auditive ;
 - risque d'accidents causés par les pièces non recouvertes de la lame rotative ;
 - risque de blessure lors du remplacement de la lame ;
 - risque de pincement des doigts lors de l'ouverture du carter de protection.

Étiquettes sur l'appareil

On trouve les diagrammes suivants sur l'outil :



Lire la notice d'instructions avant toute utilisation.



Porter un dispositif de protection auditive.



Porter un dispositif de protection oculaire.



Diamètre d'alésage

EMPLACEMENT DE LA DATE CODÉE DE FABRICATION (FIG. 1)

La date codée de fabrication (bb), qui comprend aussi l'année de fabrication, est imprimée sur le boîtier.

Exemple :

2013 XX XX

Année de fabrication

Contenu de l'emballage

L'emballage contient :

- 1 scie fendeuse
- 1 lame
- 1 clé hexagonale
- 1 manuel de l'utilisateur
- 1 dessin éclaté
- Vérifiez si l'outil, les pièces ou les accessoires ne présentent pas de dommages causés par le transport.
- Prenez le temps de lire et de comprendre dans son intégralité ce manuel avant d'utiliser l'outil.

Description (fig. 1, 7)



AVERTISSEMENT : ne modifiez jamais l'outil électrique ou une de ses pièces sous peine de provoquer des dégâts matériels ou des blessures corporelles.

- a. Goupille de sécurité
- b. Vis du déflecteur d'étincelles
- c. Déflecteur d'étincelles
- d. Base
- e. Guide
- f. Étau
- g. Clé hexagonale de 8 mm
- h. Manivelle
 - i. Levier de l'étau
 - j. Disque abrasif
- k. Pare-étincelles
 - l. Levier de verrouillage du disque
- m. Gâchette
- n. Trou de cadenas
- o. Boulon de lame supplémentaire
- p. Lame supplémentaire rondelle de boulon
- q. Bride de lame à changement rapide (fig. 7)

USAGE PRÉVU

La scie fendeuse D28715 est conçue pour la découpe de pièces en acier de différentes formes.

NE PAS utiliser ces outils en milieu ambiant humide ou en présence de liquides ou de gaz inflammables.

La scie fendeuse D28715 est un outil électrique professionnel. **NE PAS** le laisser à la portée des enfants. Une supervision est nécessaire auprès de tout utilisateur non expérimenté.

- Ce produit n'est pas prévu pour être utilisé par des personnes (y compris les enfants) dont les capacités physiques, sensorielles ou mentales sont réduites ou qui manquent d'expérience ou d'aptitudes, sauf si ces personnes sont surveillées par une autre personne responsable de leur sécurité. Ne jamais laisser les enfants seuls avec ce produit.

Sécurité électrique

Le moteur électrique a été conçu pour fonctionner sur une tension unique. Vérifier systématiquement que la tension du secteur correspond bien à la tension indiquée sur la plaque signalétique.



Votre outil DEWALT à double isolation est conforme à la norme EN 60745 ; un branchement à la terre n'est donc pas nécessaire.



AVERTISSEMENT : les appareils à 120 V doivent être utilisés avec des transformateurs d'isolation à l'épreuve des pannes doté d'un écran de terre entre l'enroulement primaire et secondaire.

Si le cordon fourni est endommagé, le remplacer par un cordon spécialement conçu à cet effet, et disponible auprès du service après-vente DEWALT.

(CH) Toujours utiliser la fiche prescrite lors du remplacement du câble d'alimentation.

Type 11 pour la classe II (Isolation double) – outils

Type 12 pour la classe I (Conducteur de terre) – outils

(CH) En cas d'utilisation à l'extérieur, connecter les outils portatifs à un disjoncteur FI.

Remplacement de la fiche d'alimentation (Moyen-Orient et Afrique)

Si une nouvelle fiche d'alimentation doit être montée :

- Mettre soigneusement au rebut l'ancienne fiche.
- Raccorder le fil marron à la borne de phase dans la fiche.
- Raccorder le fil bleu à la borne de neutre.



AVERTISSEMENT : aucun branchement ne doit être fait à la borne de terre.

Suivez les instructions de montage fournies avec des fiches de bonne qualité. Fusible recommandé : 13 A.

Utilisation d'une rallonge

Si une rallonge s'avère nécessaire, utiliser une rallonge homologuée et compatible avec la tension nominale de cet outil (se reporter à la section **Caractéristiques techniques**). La section minimale du conducteur est de 1,5 mm² pour une longueur maximale de 30 m.

En cas d'utilisation d'un dévidoir, dérouler systématiquement le câble sur toute sa longueur.

Raccordement à la prise secteur

La prise secteur utilisée avec cet outil doit être équipée d'un fusible coupe-circuit de 16 A temporisé.

Chutes de tension

Les courants d'appel sont à l'origine de brèves chutes de tension. Dans des conditions d'alimentation électrique défavorables, cela peut affecter les autres appareils. Si l'impédance d'alimentation du système est inférieure à 0,25 Ω, aucune perturbation ne devrait être ressentie.

MONTAGE ET RÉGLAGES



AVERTISSEMENT : pour réduire tout risque de dommages corporels, arrêter l'outil et débrancher l'appareil du secteur avant d'installer ou de retirer tout accessoire, avant tout réglage ou changement de configuration ou lors de réparations. S'assurer que la gâchette est bien en position d'ARRÊT. Tout démarrage accidentel pourrait causer des dommages corporels.

FONCTIONNEMENT

Consignes d'utilisation



AVERTISSEMENT : respecter systématiquement les consignes de sécurité et les normes en vigueur.



AVERTISSEMENT : pour réduire tout risque de dommages corporels graves, arrêter et débrancher l'outil avant tout réglage ou avant de retirer ou installer toute pièce ou tout accessoire.

Position correcte des mains (fig. 2)



AVERTISSEMENT : pour réduire tout risque de dommages corporels graves, adopter **SYSTÉMATIQUEMENT** la position des mains illustrée.



AVERTISSEMENT : pour réduire tout risque de dommages corporels graves, maintenir fermement et **SYSTÉMATIQUEMENT** l'outil pour anticiper toute réaction soudaine de sa part.

La position correcte des mains nécessite une main sur la poignée principale (cc) avec l'autre main guidant l'ouvrage.

Fonctionnalité démarrage en douceur

RELAIS DE RETARD (TDR)

La fonctionnalité Démarrage en douceur permet d'augmenter la vitesse progressivement pendant 300 ms et éviter la secousse initiale du démarrage. Cette fonctionnalité est aussi particulièrement utile lorsque le fusible installé possède une valeur trop faible ou n'est pas de type inerte.

Capacité de coupe

La grande ouverture de l'étau et le point de pivotement élevé permettent la coupe de pièces de grandes dimensions. Reportez-vous au tableau des capacités de coupe pour déterminer la dimension maximale des coupes possibles avec un nouveau disque abrasif.



ATTENTION : il peut s'avérer nécessaire d'immobiliser au moyen de ferrures supplémentaires certaines pièces de grande dimension ou de forme circulaire ou irrégulière, si elles ne peuvent être maintenues solidement au moyen de l'étau.



ATTENTION : ne coupez pas de magnésium avec cet outil, sous peine de vous blesser et d'endommager la scie.

Transport (fig. 1)

Rabattez l'outil de manière à pouvoir transporter la scie. Enfoncez la goupille de sécurité (a) pour verrouiller le bras.

Déverrouillage (fig. 1)

Pour déverrouiller l'outil et soulever la tête, abaissez légèrement le bras du moteur et retirez la goupille de sécurité (a). Le bras du moteur pivotera ainsi vers le haut.

Immobilisation et soutien de la pièce (fig. 3, 4)

- Il est recommandé d'appuyer les deux pieds de l'outil contre la base pour immobiliser et couper des cornières.
- Une cale d'écartement (r) légèrement plus étroite que la pièce de travail (t) peut être utilisée en vue d'augmenter l'utilisation du disque (fig. 3).
- Les longues pièces de travail doivent être soutenues au moyen d'une tablette afin qu'elles soient de niveau avec le dessus de la base (fig. 4) La section coupée (t) doit pouvoir se détacher complètement afin d'éviter que le disque ne se coince.

Réglage du déflecteur d'étincelles (fig. 1)

Pour protéger des étincelles les personnes et les objets à proximité, desserrez la vis (b), réglez le déflecteur d'étincelles (c), puis resserrez la vis.

AVIS: *risque de dégât matériel.*
Empêchez le cordon d'entrer en contact avec le déflecteur ou les étincelles pour ne pas l'endommager.

Fonctionnement de l'étau (fig. 5)

L'étau est pourvu d'un mécanisme de marche rapide. Pour relâcher l'étau (f), lorsqu'il est solidement serré, tournez la manivelle (h) dans le sens contraire des aiguilles d'une montre à une ou deux reprises pour libérer la pression de serrage. Soulevez le levier de l'étau (i). Tirez l'ensemble de la manivelle jusqu'à la position souhaitée. Il est possible de pousser l'étau contre la pièce sans se servir de la manivelle. Abaissez le levier de l'étau, puis serrez ce dernier sur la pièce au moyen de la manivelle.

Fonctionnement du guide (fig. 5)



AVERTISSEMENT : *afin de réduire le risque de blessures, éteignez et débranchez l'outil de la source d'alimentation avant de monter ou d'enlever les accessoires, avant d'effectuer ou de modifier les réglages, ou bien lors des réparations.* Assurez-vous que la gâchette est sur la position Arrêt. Un démarrage involontaire peut entraîner des blessures.

Vous n'avez pas besoin d'outils pour régler le guide (e). Le levier de la bride à desserrage rapide (u) permet de verrouiller et déverrouiller le guide. Tournez complètement le levier vers l'avant pour déverrouiller le guide. Vous pouvez alors le déplacer librement en avant, en arrière ou le faire pivoter pour obtenir la position de découpe optimale en cas de nouveau disque et à mesure que le disque s'use.

La rotation complète du levier en arrière verrouille le guide dans la position sélectionnée. Si la patte inférieure du levier n'est pas horizontale (parallèle à la base), le guide ne sera pas verrouillé. Le guide est uniquement verrouillé lorsque vous rencontrez une forte résistance en tournant le levier en arrière. En cas de résistance légère, ajustez la force de serrage en vissant légèrement les deux boulons (v) maintenant le guide sur la base. Procédez à un essai en resserrant et essayez de déplacer le guide.

Réglage de l'angle du guide (fig. 6)



AVERTISSEMENT : *afin de réduire le risque de blessure, éteignez et débranchez l'outil de la source d'alimentation avant de monter ou d'enlever les accessoires, avant d'effectuer ou de modifier les réglages, ou bien lors des réparations.* Assurez-vous que la gâchette est sur la position Arrêt. Un démarrage involontaire peut entraîner des blessures.

L'indicateur de réglage de l'angle (w) fait partie du système de serrage du guide. Alignez le trait de votre choix sur l'indicateur de l'angle sur le bord de la fente (x) de la base.

POUR UNE COUPE PERPENDICULAIRE PLUS PRÉCISE

1. Déverrouillez le guide.
2. Abaissez le bras jusqu'à ce que le disque pénètre dans la base.
3. Placez une équerre (y) contre le disque (j) et réglez le guide contre l'équerre.
4. Verrouillez le guide en position.

Utilisation (fig. 1, 2)

Reportez-vous à la figure 2 pour connaître le bon positionnement de votre corps pendant l'utilisation.

Enfoncez la gâchette (m) pour démarrer l'outil. Relâchez-la pour l'arrêter. Éloignez les mains et les objets du disque jusqu'à ce qu'il s'arrête.

Afin d'empêcher une utilisation non autorisée de cet outil, installez un cadenas standard (non fourni) dans le trou de cadenas (n) situé sur la gâchette.

Retrait et installation du disque (fig. 1, 7)



AVERTISSEMENT : afin de réduire le risque de blessures, éteignez et débranchez l'outil de la source d'alimentation avant de monter ou d'enlever les accessoires, avant d'effectuer ou de modifier les réglages, ou bien lors des réparations. Assurez-vous que la gâchette est sur la position Arrêt. Un démarrage involontaire peut entraîner des blessures.

Vous n'avez pas besoin d'outils pour changer la lame avec la bride de lame à changement rapide.

1. Enfoncez le levier de verrouillage du disque (l) et tournez le disque (j) à la main jusqu'à ce que le levier engage la fente dans la collerette interne (z) pour verrouiller le disque. Desserrez la bride de lame à changement rapide (q) dans le sens contraire des aiguilles d'une montre. La bride est taraudée sur la droite.
2. Retirez la bride de lame à changement rapide (q), la rondelle de la bride de lame (aa) et l'ancien disque (j) à la main.
3. Assurez-vous que les surfaces de la collerette sont propres et plates. Installez le nouveau disque abrasif en procédant aux étapes ci-dessus dans l'ordre inverse.
4. Serrez la bride de lame à changement rapide jusqu'à ce que ce que vous entendiez au moins trois clics indiquant que la bride est bien serrée. Il n'est pas possible de trop serrer la bride de lame à changement rapide.

REMARQUE : ne serrez pas trop le boulon. Un boulon de lame supplémentaire (o) et une rondelle de boulon de lame (p) sont rangés au dos du bras du moteur. Le boulon et la rondelle doivent être utilisés ensemble pour serrer en toute sécurité la lame.



AVERTISSEMENT : risque de blessures corporelles. Vérifiez la surface de travail sur laquelle la scie fendeuse repose lors du remplacement du disque abrasif. Il se peut que le disque entre en contact avec DES OBJETS OU STRUCTURES AU-DESSUS de la surface de travail (sous la base) lorsque le bras est complètement abaissé.

Montage (fig. 8, 9)



ATTENTION : l'outil doit être placé sur une surface stable, à niveau, non glissante pour empêcher tout mouvement intempestif lors de son utilisation.

MARCHE À SUIVRE POUR UN MONTAGE PERMANENT

1. Percez quatre trous de 8 mm (5/16") dans la surface de travail (fig. 8).
2. Insérez des vis de type 1/4-20 dans les orifices de la base et de la surface de montage. La longueur approximative des vis doit correspondre à l'épaisseur de la surface de montage, plus 101,6 mm (4").

MONTAGE EN BERCEAU

1. Coupez deux planches d'environ 508 mm de longueur X 50,8 mm de hauteur X 101,6 mm de largeur (20" X 2" X 4").
2. Mettez la scie fendeuse à l'emplacement voulu.
3. Placez les planches contre les côtés et clouez à la surface de travail (fig. 9).

Conseils pour obtenir une coupe plus précise

- Laissez le disque travailler librement. Une force excessive pourrait le rendre lisse, ce qui pourrait réduire son efficacité et/ou le faire dévier, produisant ainsi des coupes inexactes.
- Réglez correctement l'angle du guide.
- Assurez-vous que la pièce est à plat et perpendiculaire à la base.
- Fixez correctement la pièce afin de l'empêcher de bouger ou de vibrer.

MAINTENANCE

Cet outil DEWALT a été conçu pour fonctionner longtemps avec un minimum de maintenance. Le fonctionnement continu et satisfaisant de l'outil dépend d'un entretien adéquat et d'un nettoyage régulier.



AVERTISSEMENT : afin de réduire le risque de blessures, éteignez et débranchez l'outil de la source d'alimentation avant de monter ou d'enlever les accessoires, avant d'effectuer ou de modifier les réglages, ou bien lors des réparations. Assurez-vous que la gâchette est sur la position Arrêt. Un démarrage involontaire peut entraîner des blessures.

FRANÇAIS

REMARQUE : il est possible d'adapter sur l'outil un cordon trifilaire à fiche tournante de verrouillage dans un service après-vente agréé.



Lubrification

Cet outil est équipé de roulements à bille fermés et de type garde-huile. Ces roulements ont été suffisamment lubrifiés en usine pour avoir la même durée de vie que la scie fendeuse.



Entretien



AVERTISSEMENT : éliminer poussière et saleté du boîtier principal à l'aide d'air comprimé chaque fois que les orifices d'aération semblent s'encrasser. Porter systématiquement des lunettes de protection et un masque anti-poussières homologués au cours de cette procédure.



AVERTISSEMENT : ne jamais utiliser de solvants ou tout autre produit chimique décapant pour nettoyer les parties non métalliques de l'outil. Ces produits chimiques pourraient en attaquer les matériaux utilisés. Utiliser un chiffon humidifié avec de l'eau et un savon doux. Protéger l'outil de tout liquide et n'immerger aucune de ses pièces dans aucun liquide.

Accessoires en option



AVERTISSEMENT : comme les accessoires autres que ceux offerts par DEWALT n'ont pas été testés avec ce produit, leur utilisation avec cet appareil pourrait être dangereuse. Pour réduire tout risque de dommages corporels, seuls des accessoires DEWALT recommandés doivent être utilisés avec cet appareil.

Veillez consulter votre revendeur pour plus d'informations sur les accessoires appropriés.

Utilisez uniquement des disques à agglomérant organique de type 1 à haute résistance ayant une vitesse nominale égale ou supérieure à 4 100 tr/min.

Protection de l'environnement



Collecte sélective. Ne pas jeter ce produit avec les ordures ménagères.



En fin de durée de vie ou d'utilité de votre produit DEWALT, ne pas le jeter avec les ordures ménagères, mais dans les conteneurs de collecte sélective.



La collecte sélective des produits et emballages usagés permet de recycler et réutiliser leurs matériaux. La réutilisation de matériaux recyclés aide à protéger l'environnement contre la pollution et à réduire la demande en matière première.

Selon les réglementations locales, il peut être offert : service de collecte sélective individuel des produits électriques, ou déchetterie municipale ou collecte sur les lieux d'achat des produits neufs.

DEWALT dispose d'installations pour la collecte et le recyclage des produits DEWALT en fin de vie. Pour profiter de ce service, veuillez rapporter votre produit auprès d'un centre de réparation agréé qui le recyclera en notre nom.

Pour connaître l'adresse d'un centre de réparation agréé près de chez vous, veuillez contacter votre distributeur DEWALT local à l'adresse indiquée dans cette notice d'instructions, ou consulter la liste des centres de réparation agréés DEWALT, l'éventail de notre SAV et tout renseignement complémentaire sur Internet à l'adresse : www.2helpU.com.

Afghanistan	Ariana Hafiz Zabi Co. Ltd. Dahan Bagh Squire Karte Ariana, Kabul, Afghanistan	info@arianahafiz.com	Tel: 93-0-799331079 Fax: 93-0-700007576 / 93-0-799331079
Algeria	Sarl Outillage Corporation 08, Rue Med Boudiaf (ex TELLA Achen) Cheraga, Alger	hakim.merdjadi@outillage-dz.com lyes@outillage-dz.com Mali.faiza@outillage-dz.com; sidahmed@outillage-dz.com	Tel: 213-0-21375130 213-0-21375131 Fax: 213-0-21369667
Angola	Angoferraria, Lda. Rua Robert Shields, nº 61, Luanda, Angola	angoferraria@gmail.com sequiera.angoferraria@gmail.com	Tel: 244-222-395837 / 244-222-395034 Fax: 244-222-394790
Azerbaijan	Royalton Holdings Ltd. 41 Khagani St. Apt. 47 AZ1001 Baku- Azerbaijan	jai@royaltonholdings.com office@royaltonholdings.com	Tel: 994-12-4935544 Fax: 994-12-5980378
Egypt	ElFarab S.A.E. 15-Nabil El Wakkad Street, Dokki, Giza, Egypt	elfarab@elfarab.com adel.ezzat@elfarab.com mahmoud.elhosseiny@elfarab.com	Tel: 202-37603946 Fax: 202-33352796
Ethiopia	Seif Tewfik Sherif Arada Sub City, Kebele 01/02, Global Insurance Bldg., 2nd Flr., Room 43, P.O. Box 2525, Addis Ababa	seif@ethionet.et nawanag@ethionet.et	Tel: 251-11-1563968 251-11-1563969 Fax: 251-11-1558009
Iraq	Al-Sard Co. for General Trading Ltd Jbara Bldg. 3Flr. Al Rasheed St., Baghdad, Iraq	dewalt.service@yahoo.com	Tel: 964-18184102
Jordan	Amman West Stores-Bashiti 210 Garden St. Tla'a Ali, P.O. Box 1564 Tla Ali Amman 11953, Jordan	ali@bashitstores.com yousef@bashitstores.com	Tel: 962-6-5350009 Fax: 962-6-5350012
Kenya	Dextron Tools Ltd. P.O. Box 20121-00200, Shariff House, Kimathi Street, Nairobi	info@alibhaishariff.co.ke dextron@alibhaishariff.co.ke	Tel: 254-20-6905000 254-20-2358021 Fax: 254-20-6905111 / 254-20-6905112
Lebanon	Est. Shaya & Azar S.A.R.L. Boulevard Jdeideh - Mar Takla - Bouchrieh . P.O. Box 90545, Jdeideh. Beirut - Lebanon	shayazar@dm.net.lb	Tel: 961 1 872305 961 1 872306 Fax: 961 1 872303
Libya	North Africa Trading (El Ghoul Brothers) P.O. Box 348, 7 October Street 11 Benghazi	maryam_farooq2003@yahoo.com nagte@eim.ae dewalt_libya@yahoo.com	Tel: 218-061-3383994 Fax: 218-092-7640688
	North Africa Trading (El Ghoul Brothers) AlBarniq DeWALT Center, Mokhazin-elsukar St. ElFallah, Tripoli	dewalt_libya@yahoo.com	Tel: 218-021-3606430 Fax: 218-092-6514813
	North Africa Trading (El Ghoul Brothers) AlHilal Service Center Tawergha St., Misurata		Tel: 218-091-3221408
Mauritius	Robert Le Marie Limited Old Moka Road, Bell Village, P.O. Box 161, Port Louis	a.blackburn.rm@rmgroup.mu jm.pierrelouis.rm@rmgroup.mu	Tel: 230-212 1865 230-212 2847 Fax: 230-2080843
Morocco	Ets Louis Guillaud & Cie 31, Rue Pierre Parent, Casablanca - 21000	boumadiane.azedine@elg.ma doukkail.marouane@elg.ma	Tel: 522-301446 / 305971 / 317815 / 315576 Fax: 522-444518 / 317888
Nigeria	Meridian Power Tools Ltd. Gr. Floor, #1 Alhaji Masha Rd, Next to Teslim Balogun Stadium, Near National Stadium Surulere, Lagos, Nigeria	braj@meridian-nigeria.com	Tel: 234-1-7740431 234-1-7740410 Fax: 234-1-7913798
Pakistan	Northern Toolings (Pvt) Ltd.-Lahore 86- Railway Road, Lahore - 7 Pakistan	zhayee@northern.pk import@northern.pk sales@northern.pk	Tel: 92-423-7651220 92-423-7641675 Fax: 92-423-7641674
	Northern Toolings (Pvt) Ltd.-Karachi 224-231 Industrial Town Plaza, Shahrah-e-Liaqat, Karachi, Pakistan	karachibr@northern.pk	Tel: 92-213-2465305 92-213-2465307 Fax: 92-213-2465301
	Northern Toolings (Pvt) Ltd.-Taxila Al-Rehman Plaza, Opposite Tehsil Court, Faisal Shaheed Road, Taxila	taxilabr@northern.pk	Tel: 92-51-4545811 Fax: 92-51-4544194
South Africa	Benray Tool Wholesalers C.C. 91 Turfontein Road, Stafford, Johannesburg, 2001 P.O. Box 260037 EXCOM 2023, South Africa	dewaltservice@benray.co.za zain@benray.co.za shafiq@benray.co.za	Tel: 27-11-6838350 Fax: 27-11-6837456
Tanzania	General Motors Investment Ltd. 14 Vingunguti-Nyerere Road, P.O.Box 16541, Dar es Salaam, Tanzania	ezra@gmi-tz.com info@gmi-tz.com chiwelesa@yahoo.com	Tel: 255-22-2865022 / 2862661 / 2862671 / 2862659 Fax: 255-22-2862667
Tunisia	Ets. Mohamed Ghorbel 03 Rue 8603 Chargaia I Tunis. Postal Code 2035	slim.ghorbel@gnet.tn moh.ghorbel@gnet.tn mourad.ghorbel@gnet.tn	Tel: 216-71794248 216-71793848 Fax: 216-71770759
Uganda	The Building Center (u) Ltd. 52 Station Road, Kitgum House, P.O. Box 7436 Kampala, Uganda	tbc@africaonline.co.ug chris@tbcu.co.ug	Tel: 256-041-4234567 256-041-4259754 Fax: 256-041-4236413
Yemen	Middle East Trading Co. (METCO) 5th Flr.Hayel Saeed Anam Bldg. Al-Mugamma St. Taiz, Yemen	tamer.metco@gmail.com tamer@metcotrading.com metco@metcotrading.com sami@metcotrading.com	Tel: 967-4-213455 Fax: 967-4-219869
	Middle East Trading Co. (METCO) Mualla Dakka, Aden	tamer.metco@gmail.com tamer@metcotrading.com metco@metcotrading.com	Tel: 967-2-222670 Fax: 967-2-222670
	Middle East Trading Co. (METCO) Hayel st., Sana'a, Yemen	tamer.metco@gmail.com tamer@metcotrading.com metco@metcotrading.com	Tel: 967-1-204201 Fax: 967-1-204204

UAE	Black & Decker (Overseas) GmbH P.O. Box 5420, Dubai	service.me@blackdecker.com	Tel: 971-4 8127400 / 8127406 Fax: 971-4 2822765	
	Ideal Star Workshop Eqpt. Trading LLC P.O. Box 37116, Al Quoz, Dubai	idealeq@emirates.net.ae	Tel: 971-4 3474160 Fax: 971-4 3474157	
	Alebrah Engineering Service P.O. Box 78954, Al Qusais, Dubai	alebrah@eim.ae	Tel: 971-4 2850044 Fax: 971-4 2844802	
	Burj Al Madeena Industrial Area No. 1, opp. Pakistani Masjid P.O. Box 37635, Sharjah	dewaltuae@hotmail.com	Tel: 971-6 5337747 Fax: 971-6 5337719	
	McCoy Middle East LLC P.O. Box 25793, Sharjah	mccoy@emirates.net.ae	Tel: 971-6 5395931 Fax: 971-6 5395932	
	McCoy Middle East LLC P.O. Box 10584, Ras Al Khaimah	mccoyrak@gmail.com	Tel: 971-7 2277095 Fax: 971-7 2277096	
	Al Sukoon Gen. Trdg. Co. LLC P.O. Box 2975, Ajman	sukoon@eim.ae	Tel: 971-6 7435725 / 7438317 Fax: 971-6 7437350	
	Zillion Equipment and Spare Parts Trading LLC P.O. Box 19740, opp. Bin Sadal / Trimix Redymix Sanaiya, Al Ain	zilliontrdg@gmail.com	Tel: 971-3 7216690 Fax: 971-3 7216103	
	Light House Electrical, Abu Dhabi Branch P.O. Box 120, Abu Dhabi	dewalt_lhe@hotmail.com	Tel: 971-2 6726131 Fax: 971-2 6720667	
	Light House Electrical, Musaffah Branch P.O. Box 120, Abu Dhabi	dewalt_lhe@hotmail.com	Tel: 971-2 5548315 Fax: 971-2 5540461	
	Bahrain	Alfouz Services Co. WLL P.O. Box 26562, Tubli, Manama	alfouz@batelco.com.bh	Tel: 973 17783562 / 17879987 Fax: 973 17783479
		Kavalani & Sons W.L.L. P.O. Box 71, Sitra, Manama	info@kavalani.com pradeep@kavalani.com	Tel: 973 17732888 Fax: 973 17737379
		Kuwait	Al Omar Technical Co. P.O. Box 4062, Safat 13041, Kuwait	alexotc@usa.net
	Fawaz Al Zayani Establishment P.O. Box 42426, Shop No.18, Al Hurnaizi Commercial Complex, Khalifa Al Jassim, Shuwaikh		dewaltkuwait@hotmail.com	Tel: 965 24828710 Fax: 965 24828716
Fawaz Al Zayani Establishment Fahaheel Industrial Area, Main St., Sanaya	dewaltkuwait@hotmail.com		Tel: 965 23925830 Fax: 965 24828716	
Oman	Al Jizzi Company LLC P.O. Box 1704, P.C. 112, Ruwi	aljizied@omantel.net.om jizzi10@omantel.net.om	Tel: 968 24832618 / 24835153 Fax: 968 24831334 / 24836460	
	Al Hassan Technical & Construction Supplies Co. LLC P.O. Box 1948, P.C. 112, Ruwi	hamriya.sr@al-hassan.com abrar.h@al-hassan.com	Tel: 968 24810575 / 24837054 Fax: 968 24810287 / 24833080	
	Oman Hardware Co. LLC P.O. Box 635, Ruwi Postal Code 112	omanhard@omantel.net.om	Tel: 968 24815131 Fax: 968 24816491	
	Khimji Ramdas P.O. Box 19, Post Code 100, Ghala, Muscat	bilal.m@khimjiramdas.com	Tel: 968 24595906/ 907 Fax: 968 24852752	
	Qatar	Teyseer Industrial Supplies & Services Co. WLL 55, Al Wakalat St. (Between St. 18 & 19) Salwa Industrial Area, P.O. Box 40523 Doha	manish@tissco-qatar.com tool.service@tissco-qatar.com	Tel: 974 4581536 Fax: 974 4682024
Shaheen Electrical Works & Trading Co. WLL Gate 34, St. 44 Industrial Area P.O. Box 9756, Doha		shaheenelc@gmail.com	Tel: 974 460 02 30 / 460 05 25 Fax: 974 460 13 38	
KSA		Industrial Material Organization (IMO) P.O. Box 623, Rail Street, Riyadh	service@imo.com.sa	Tel: 966-1 4028010 Ext. 26 Tel: 966-1 8001245757 Fax: 966-1 4037970
	Fawaz Ebrahim Al Zayani Trading Est. P.O. Box 76026, Al Raka : 31952	dewaltdammam@hotmail.com	Tel: 966-3 8140914 Fax: 966-3 8140824	
	MSS (Al-Mojil Supply & Services) P.O. Box 450, Jubail 31951	mssjubail@almojiservices.com alex.chang@almojiservices.com	Tel: 966-3 3612850 / 3624487 Tel: 966-3 3621729 Fax: 966-3 3623589 / 3620783	
	Opp-Gulf Bridge Library & Riyadh House			
	EAC (Al Yousef Contg. & Trdg. Est.) P.O. Box 30377, Jeddah -21477	golamkibria77@yahoo.com	Tel: 966-2 6519912 Fax: 966-2 6511153	
	Mohamed Ahmed Bin Aff Est. P.O. Box 530, Yanbu, Al Bahr	binaffyanbu@hotmail.com	Tel: 966-4 3222626 / 3228867 Fax: 966-4 3222210	
	Garziz Trading for Bldg Mat & Decoration P.O. Box 3364, Madina	agarziz@yahoo.com	Tel: 966-4 826 14 90 / 822 76 36 Fax: 966-4 826 57 41	
	Sultan Garment Factory (RSC) P.O. Box 29912, Riyadh 11467	rscservice@digl.net.sa	Tel: 966-1 4055148 / 4042889 Fax: 966-1 4055148	
	Al Bawardi Tools & Hardware P.O. Box 112, Dammam 31411	asattar@albawardi.com nibanez@albawardi.com	Tel: 966-3 8330780 Ext. 24 Tel: 966-3 8348585 Ext. 24 Fax: 966-3 8336303	
	Al Bawardi Tools & Hardware P.O. Box 68, Riyadh 11411	rbaltao@albawardi.com asamad@albawardi.com	Tel: 966-1 4484999 Fax: 966-3 4487877	
	Al Bawardi Tools & Hardware P.O. Box 16905, Jeddah 21474	sharadji@albawardi.com fgaber@albawardi.com	Tel: 966-2 6444547 / 6439035 Tel: 966-2 6456095 Fax: 966-2 6439024	