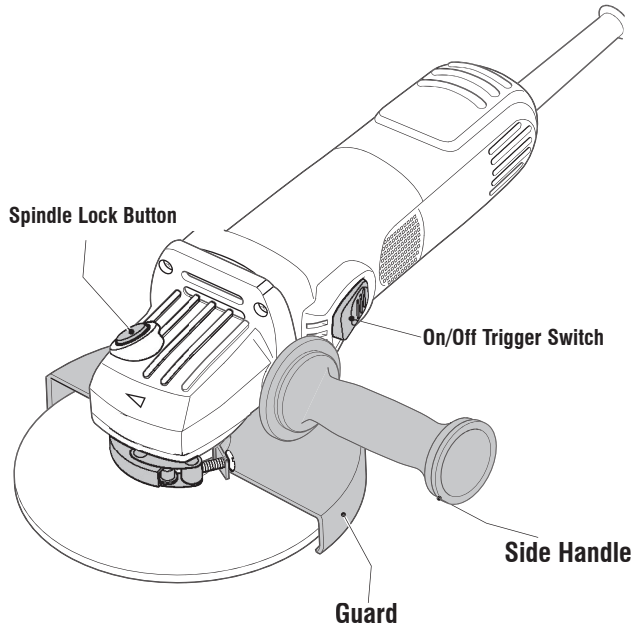


INSTRUCTION MANUAL

DEWALT®

ANGLE GRINDER

MODEL: D28108-XE, D28127-XE, D28128-XE, D28154-XE



SAFETY INSTRUCTIONS

When using power tools, always observe the safety regulations applicable in your country to reduce the risk of fire, electric shock and personal injury. Read the following safety instructions before attempting to operate this product. Keep these instructions in a safe place.

General

1. **Keep work area clean.** Cluttered areas and benches can cause accidents.
2. **Consider work area environment.** Do not expose power tools to high humidity or rain. Keep work area well lit. Do not use power tools in the presence of flammable liquids or gases.
3. **Guard against electric shock.** Prevent body contact with earthed surfaces (e.g. pipes, radiators, cookers and refrigerators).
4. **Keep children away.** Do not let children come into contact with the tool or extension cord. Keep all people away from the work area.
5. **Extension cords for outdoor use.** When the tool is used outdoors, always use extension cords intended for outdoor use and marked accordingly.
6. **Store idle tools.** When not in use, power tools must be stored in a dry place and locked up securely, out of the reach of children.
7. **Dress properly.** Do not wear loose clothing or jewellery. They can be caught in moving parts. Preferably wear rubber gloves and non-slip footwear when working outdoors. Wear protective hair covering to keep long hair out of the way.
8. **Wear safety goggles.** Also use a face or dust mask in case the operations produce dust or flying particles.
9. **Be aware of maximum sound pressure.** Take appropriate measures for the protection of hearing if the sound pressure of 85dB(A) is exceeded.
10. **Secure workpiece.** Use clamps or a vice to hold the workpiece. It is safer and it frees both hands to operate the tool.
11. **Do not overreach.** Keep proper footing and balance at all times.
12. **Avoid unintentional starting.** Do not carry the plugged-in tool with a finger on the switch. Be sure that the switch is released when plugging in.
13. **Stay alert.** Watch what you are doing. Use common sense. Do not operate the tool when you are tired.

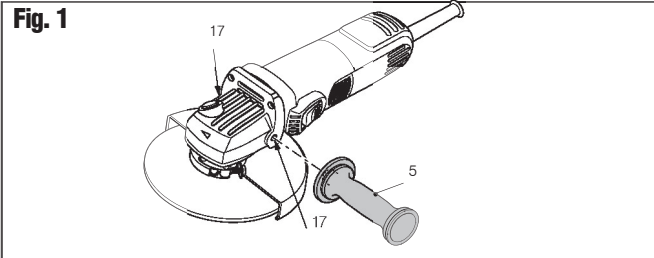
14. **Disconnect tool.** Shut off power and wait for the tool to come to a complete standstill before leaving it unattended. Unplug the tool when not in use, before servicing or changing accessories.
15. **Remove adjusting keys and wrenches.** Always check that adjusting keys and wrenches are removed from the tool before operating the tool.
16. **Use appropriate tool.** Do not force small tools or attachments to do the job of a heavy-duty tool. The tool will do the job better and safer at the rate for which it is intended. The use of any accessories or attachments other than the ones recommended in this instruction manual may induce a risk of personal injury.
17. **Do not abuse cord.** Never carry the tool by its cord or pull the cord to disconnect it from the socket. Keep the cord away from heat, oil and sharp edges.
18. **Maintain tools with care.** Keep tools in good condition and clean for better and safer performance. Follow the instructions for maintenance and changing accessories. Inspect tool cords at regular intervals and, if damaged, have them repaired by an authorised DeWALT Repair Centre. Inspect extension cords periodically and replace them if damaged. Keep all controls dry, clean and free from oil and grease.

Do not use tool if switch does not turn it on or off. Any tool that cannot be controlled with the switch is dangerous and must be repaired.
19. **Check damaged parts.** Before using the tool, carefully check it for damage to ensure it will operate properly and perform its intended function. Check for misalignment and seizure of moving parts, breakage of parts and any other conditions that may affect its operation. Have damaged guards or other defective parts repaired or replaced as instructed. Do not use the tool if switch is defective. Have the switch replaced by an authorised DeWALT Repair Centre.
20. **Have your tool repaired by an authorised DeWALT Repair Centre.** This power tool is in accordance with the relevant safety regulations. To avoid danger, electric appliances must only be repaired by qualified technicians.
21. **Intended Users.** This power tool is not intended for use by young children or infirm persons without supervision. Young children should be supervised to ensure that they do not play with this appliance.
22. **Replacement of the supply cord.** If the supply cord is damaged, it must be replaced by the manufacturer or an authorised DeWALT Service Centre in order to avoid a hazard.

ADDITIONAL SPECIFIC SAFETY INSTRUCTIONS FOR GRINDERS.

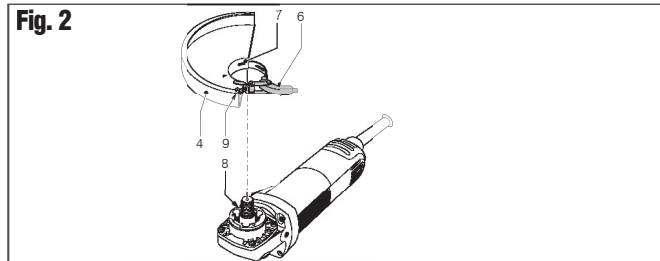
- Your grinder has been designed for grinding and cutting masonry and steel. Do not cut or grind light metal with a magnesium content exceeding 80% since this type of metal is flammable.
- Do not use any accessories other than fibre reinforced grinding and cutting discs.
- Use the grinding and cutting discs recommended by the manufacturer only.
- The max. allowable speed of the grinding wheel or cutting disc must always be equal to or greater than the no-load speed of the tool specified on the nameplate.
- Do not cut workpieces requiring a maximum depth of cut exceeding that of the cutting disc.
- Do not use grinding and cutting discs that do not conform to the dimensions stated in the technical data. Do not use any spacers to make a disc fit onto the spindle.
- Inspect grinding and cutting discs before each use. Do not use chipped, cracked or otherwise defective discs.
- If provided, ensure that blotters are used when the disc is fitted onto the spindle.
- When applying a threaded hole disc, ensure that the thread is long enough to accept the spindle.
- Ensure that the grinding or cutting disc is mounted correctly before use.
- Let the tool run at no-load in a safe position for at least 30 seconds. If there is a considerable vibration or if any other defect occurs, stop the tool and check it to determine the cause.
- Do not operate this tool without the guard in place.
- Check that the workpiece is properly supported.
- Do not operate the tool near flammable liquids, gases or dust. Sparks or hot chips from cutting or arcing motor brushes may ignite combustible materials.
- Do not operate the tool while standing in line with the disc. Keep other persons away from the work area.
- Do not use cutting discs for side grinding.
- Do not operate the spindle lock while the tool is running.
- Beware that after switching off the tool the wheel continues to rotate for a short period.

MOUNTING SIDE HANDLE (Fig. 1)



- Screw the side handle (5) tightly into one of the holes (17) on either side of the gear case.

FITTING AND REMOVING GUARD (Fig.2). (D28128-XE, D28128-XE & D28154-XE)

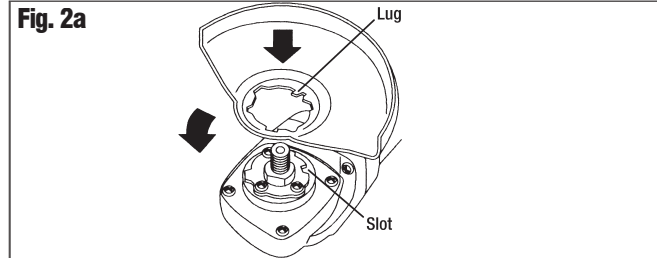


- Place the angle grinder on a table, spindle up.
- Release the clamping lock (6) and hold the guard (4) over the tool as shown
- Align the lugs (7) with the notches (8).
- Press the guard down and rotate it to the required position.
- Tighten the clamping lock (6)
- If required, increase the clamping force by tightening the screw (9).



Never use tool with out guard in place

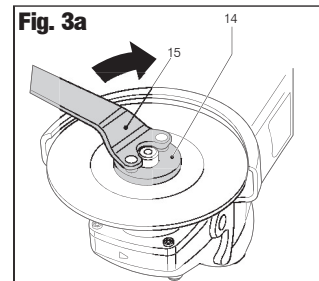
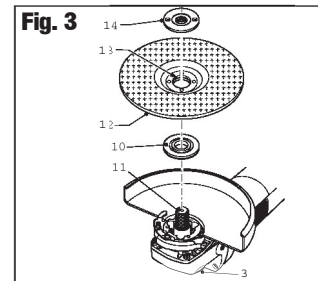
FITTING AND REMOVING GUARD (Fig.2a). (D28108-XE)



Place the angle grinder on a table, spindle up. Align the lug on the guard with the slot in the plate. Press the guard down and turn the guard anti-clockwise (in the direction of the arrow).

NOTE: The guard locking spring prevents the guard from coming loose.

FITTING AND REMOVING GRINDING OR CUTTING DISC

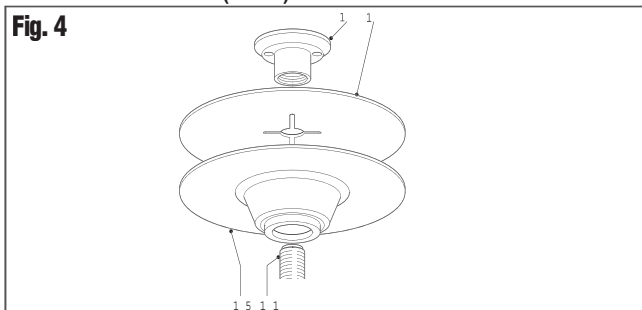


Place the tool on a table, guard up.

- Fit the inner flange (10) correctly onto the spindle (11).
- Place the disc (12) on the flange (10). When fitting a disc with a raised center, make sure that the raised centre (13) is facing the flange (10).
- Screw the outer flange (14) onto the spindle (11) (fig. 4); the ring on the flange (14) must face towards the disc when fitting a grinding disc; the ring on the flange (14) must face away from the disc when fitting a cutting disc.

- Press the spindle lock (3) and rotate the spindle (11) until it locks in position.
- Tighten the flange (14) with the two-pin spanner (Fig.3) (15) supplied.
- Release the spindle lock.
- To remove the disc, loosen the flange (14) with the two-pin spanner (Fig.3)(15).
⚠ Do not use a damaged disc.

FITTING A BACKING PAD (FIG. 4.)



To fit the pad:

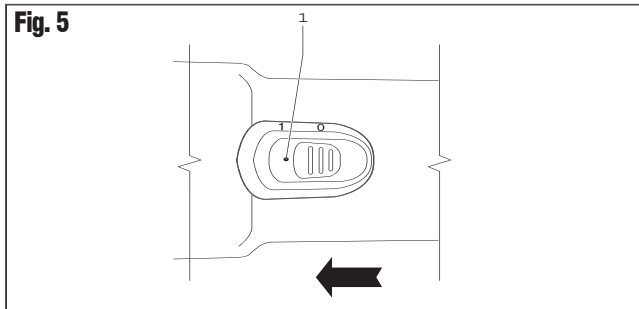
1. Unplug the tool.
2. Insert the backing pad (15) onto the machine spindle. (11)
3. Position the abrasive disc (16) on the pad.
4. Screw the outer flange (13) with the two grip holes, together with the pad fitted, onto the machine spindle.
5. With your finger firmly on the spindle lock, tighten the outer flange with the pin spanner supplied.
6. Release the spindle lock. You can now plug the tool in and start work.
7. To remove the backing pad, follow the instructions in reverse order.

FITTING A WIRE CUP BRUSH

- Screw the wire cup brush directly onto the spindle without using the spacer and threaded flange

OPERATION Switch

Fig. 5



- To run the tool, press the on/off switch (1).
- For continuous operation, press the switch completely forward.
- To stop the tool, release the switch. To stop the tool in continuous operation, press on back part of the switch.

Instructions for use.



Do not exert side pressure on a cutting disc.

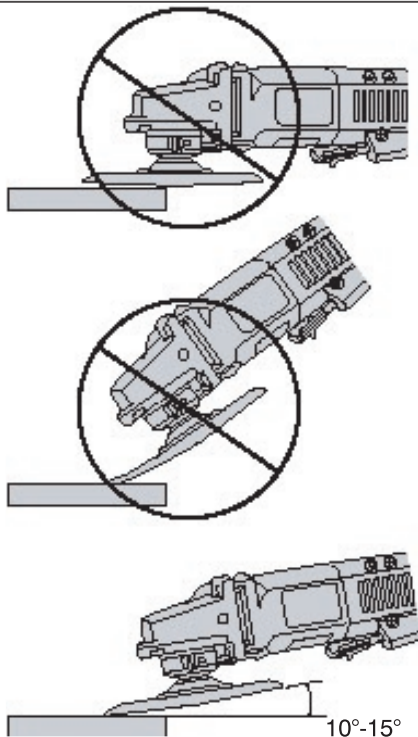
- Always observe the safety instructions and applicable regulations.
- Ensure all materials to be ground or cut are secured in place.
- Apply only a gentle pressure to the tool.
- Avoid overloading. Should the tool become hot, let it run a few minutes under no load condition.

Prior to operation:

- Install the guard and appropriate disc or wheel. Do not use excessively worn discs or wheels.
- Be sure the inner and outer flange are mounted correctly.
- Make sure the disc or wheel rotates in the direction of the arrows on the accessory and the tool.

IMPORTANT: When using the tool for sanding, allow only a segment of the disc to contact the work and refrain from high-pressure application.(Fig. 6).

Fig. 6



Personal Safety

- No children or pregnant women should enter the work area where paint sanding is being done until all clean up is completed.
- A dust mask or respirator should be worn by all persons entering the work area. The filter should be replaced daily or whenever the wearer has difficulty breathing or as per the instructions with the dust mask.
NOTE: Only those dust masks suitable for working with lead paint dust and fumes should be used. Ordinary painting masks do not offer this protection. See your local hardware dealer for the proper approved mask.
- NO EATING, DRINKING or SMOKING should be done in the work area to prevent ingesting contaminated paint particles. Workers should wash and clean up BEFORE eating, drinking or smoking. Articles of food, drink, or smoking should not be left in the work area where dust would settle on them.

Environmental Safety

- Paint should be removed in such a manner as to minimize the amount of dust generated.
- Areas where paint removal is occurring should be sealed where possible.
- Sanding should be done in a manner to reduce tracking of paint dust outside the work area.


Cleaning and Disposal

- All surfaces in the work area should be vacuumed and thoroughly cleaned daily for the duration of the sanding project. Vacuum filter bags should be changed frequently.
- Plastic drop cloths should be gathered up and disposed of correctly along with any dust chips or other removal debris. During clean up, children and pregnant women should be kept away from the immediate work area.
- All toys, washable furniture and utensils used by children should be washed thoroughly before being used again.

MAINTENANCE

Cleaning

Blowing dust and grit out of the motor housing using compressed air is a necessary regular maintenance procedure. Dust and grit containing metal particles often accumulate on interior surfaces and could create an electrical shock hazard if not frequently cleaned out. ALWAYS WEAR SAFETY GLASSES.

 **CAUTION:** Never use solvents or other harsh chemicals for cleaning the non-metallic parts of the tool. Use clean, dry rag only.

Lubrication

DeWalt tools are properly lubricated at the factory and are ready for use. Tools should be relubricated regularly every sixty days to six months, depending on usage. (Tools used constantly on production or heavy-duty jobs and tools exposed to heat may require more frequent lubrication.) This lubrication should only be attempted by trained power tool repair persons, such as those at DeWalt service centers or in other qualified service organizations.

Motor Brushes

When brushes become worn, the tool will automatically stop and prevent damage to the motor. Brush replacement should be performed by DeWalt authorized service centers.

DEWALT AFTER SALES SERVICE

All DeWALT power tools are thoroughly tested before leaving the factory. However, if the power tool needs repair, please contact your dealer or take it to your nearest DeWALT Service Centre. There is a Service Centre in every capital city. For service, repair or parts call 1800 654 155.

ACCESSORIES

Recommended accessories for use with your tool are available at extra cost from your local service centre. Call 1800 654 155 (Aust) or 09 526 2556 (NZ).

 **CAUTION:** The use of any non-recommended accessory may be hazardous.

GUARANTEE

Applicable to hand held power tools.

Full One Year Warranty

DeWALT heavy duty industrial tools are warranted for one year from date of purchase. We will repair, without charge, any defects due to faulty materials or workmanship. Please return the complete unit, transportation prepaid, to any DeWALT Service Centre, or any authorised service station.

This warranty does not apply to:

- Accessories
- Damage caused where repairs have been made or attempted by others
- Damage due to misuse, neglect, wear and tear, alteration or modification.

Free One Year Service Contract

In addition to a full one year warranty, every DeWALT tool is backed with a Free One Year Service Contract. We will provide free labour on all repairs and preventative maintenance during the first year after purchase. Proof of purchase date is required.

Contact your Service Centre on Call 1800 654 155 (Aust) or 09 526 2556 (NZ).

30 Day No Risk Satisfaction Guarantee

If you are dissatisfied with any DeWALT power tool, for any reason, simply return it to the point of purchase with your sales receipt within 30 days for a replacement unit or a full refund.

INFORMATION HOTLINE

When you need further information on a DeWALT product please phone:

AUSTRALIA: 1800 816 900

NEW ZEALAND: 09 579 7600

Unwanted Tools and the Environment

Take your old tool to an authorised DeWALT Service Centre where it will be disposed of in an environmentally safe way.

NOTES:

- DeWALT reserves the right to change or upgrade product specifications or standard equipment at any time without notice.
- Standard equipment and accessories may vary by country.
- Product specifications may vary by country.
- Complete product range may not be available in all countries. See your local DeWALT dealer for range availability.

Note: This instruction manual is applicable for the following subcodes: -XE



DEWALT Industrial Tool Company Part No. 615269-00

