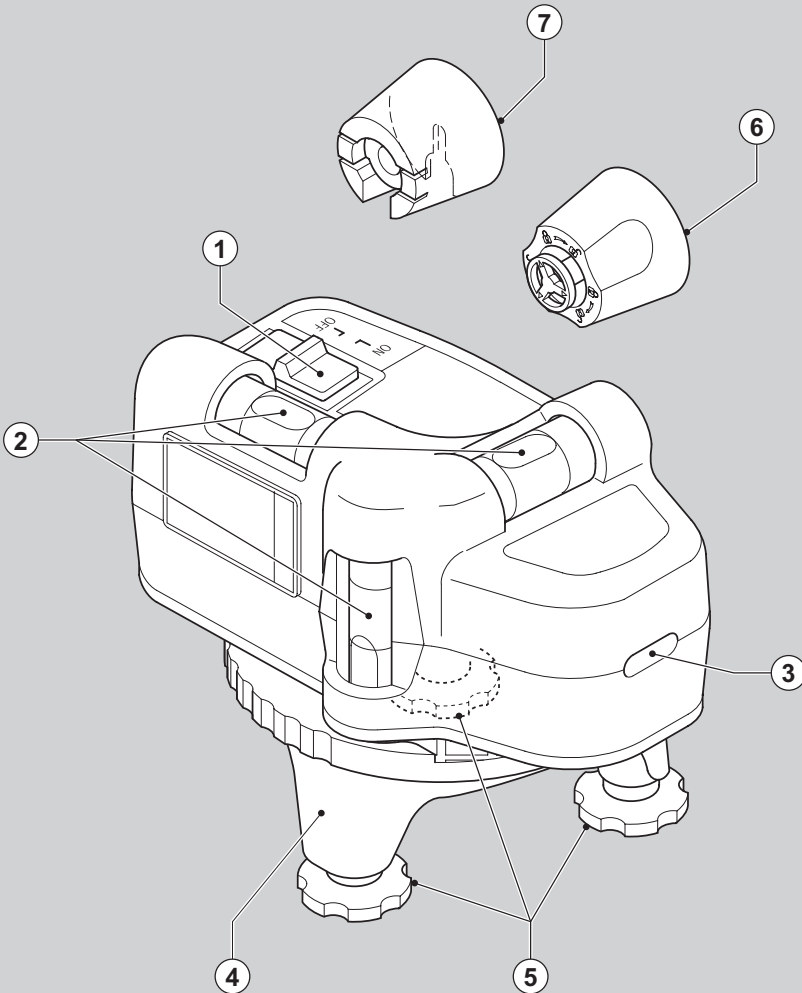




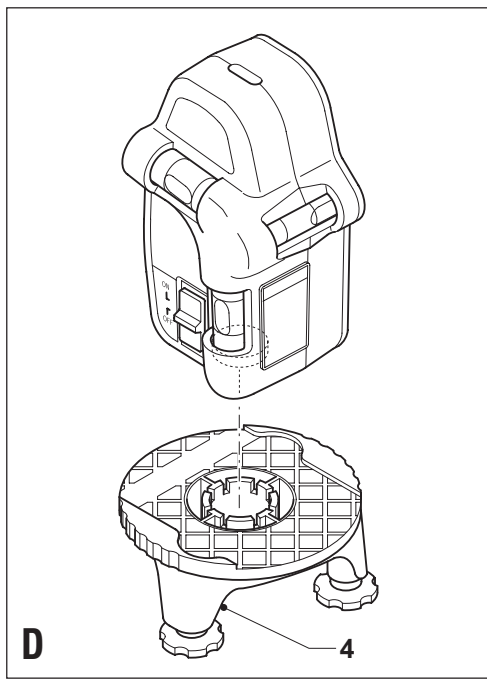
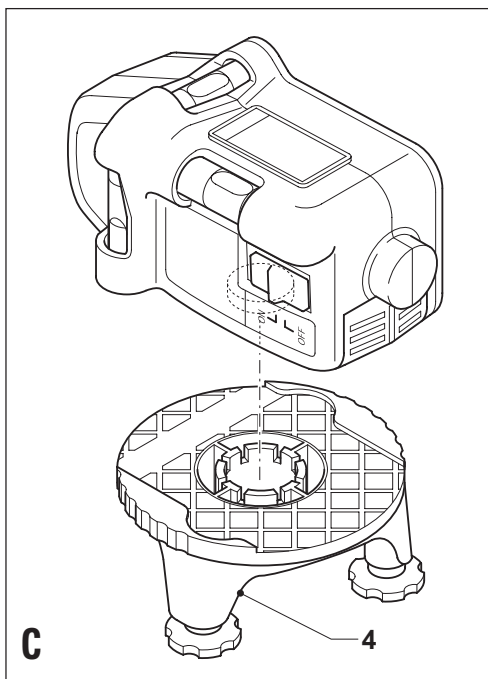
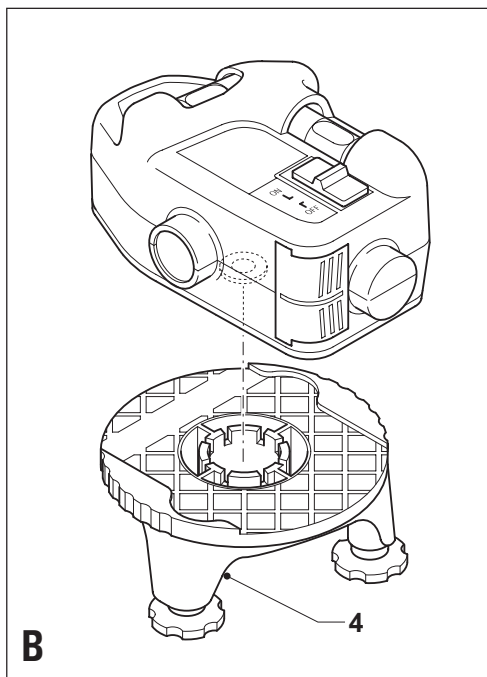
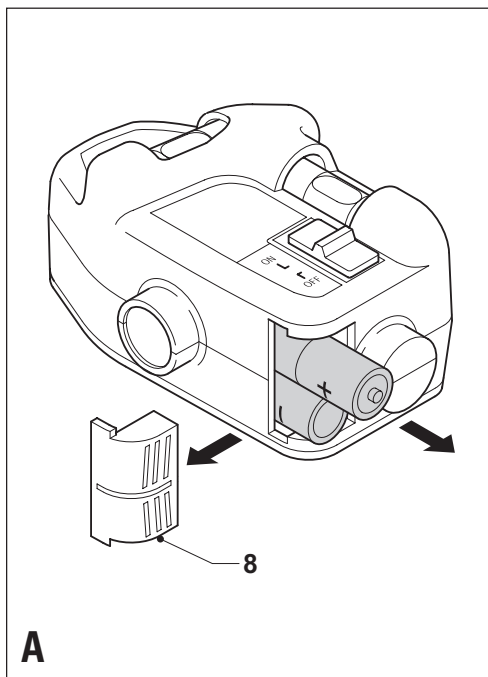
# BLACK & DECKER®

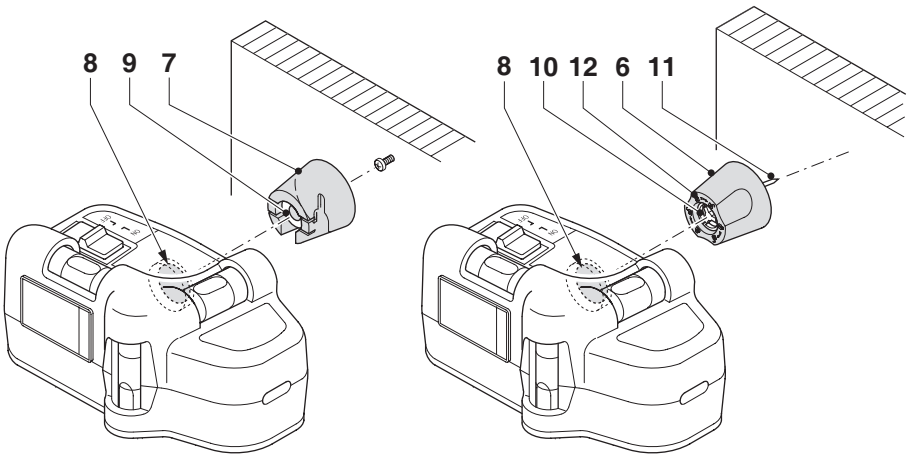
www.blackanddecker.com



**Australia**

**New Zealand**





**E**

## Intended use

This Black & Decker tool has been designed to project laser lines to aid in DIY applications. This tool is intended for consumer use only.

## Safety instructions

- ◆ **Warning!** When using battery-powered tools, basic safety precautions, including the following, should always be followed to reduce the risk of fire, leaking batteries, personal injury and material damage.
- ◆ Read all of this manual carefully before operating the tool.
- ◆ Retain this manual for future reference.

### Keep work area clean

Cluttered areas and benches can cause accidents.

### Consider work area environment

Do not expose the tool to rain. Do not use the tool in damp or wet conditions. Keep the work area well lit. Do not use the tool where there is a risk of causing fire or explosion, e.g. in the presence of flammable liquids and gases.

### Keep children away

Do not allow children, visitors or animals to come near the work area or to touch the tool.

### Do not overreach

Keep proper footing and balance at all times.

### Stay alert

Watch what you are doing. Use common sense.

Do not operate the tool when you are tired.

### Use appropriate tool

The intended use is described in this instruction manual.

**Warning!** The use of any accessory or attachment or performance of any operation with this tool other than those recommended in this instruction manual may present a risk of personal injury.

### Check for damaged parts

Before use, carefully check the tool for damage. Ensure that the tool will operate properly and perform its intended function. Do not use the tool if any part is damaged or defective.

### Store idle tools

When not in use, tools and batteries should be stored in a dry, locked up or high place, out of reach of children.

### Repairs

This tool complies with relevant safety requirements.

Repairs should only be carried out by qualified persons using original spare parts; otherwise this may result in considerable danger to the user.

### Additional safety instructions for non-rechargeable batteries

- ◆ Never attempt to open for any reason.
- ◆ Do not store in locations where the temperature may exceed 40 °C.

- ◆ When disposing of batteries, follow the instructions given in the section "Protecting the environment".  
Do not incinerate the batteries.
- ◆ Under extreme conditions, battery leakage may occur.  
When you notice liquid on the batteries, proceed as follows:
  - Carefully wipe the liquid off using a cloth. Avoid skin contact.

### Additional safety instructions for lasers



Warning! Laser radiation.



Do not look into the laser beam.



Do not view the laser beam directly with optical instruments.



Refer to the laser product characteristics.

- ◆ This laser complies with class 2M according to EN 60825-1:1993+A2:2001. Do not replace a laser diode with a different type. If damaged, have the laser repaired by an authorised repair agent.
- ◆ Do not use the laser for any purpose other than projecting laser lines.
- ◆ An exposure of the eye to the beam of a class 2M laser is considered safe for a maximum of 0.25 seconds. Eyelid reflexes will normally provide adequate protection. At distances over 1 m, the laser complies with class 1 and thus is considered completely safe.
- ◆ Never look into the laser beam directly and intentionally.
- ◆ Do not use optical tools to view the laser beam.
- ◆ Do not set up the tool at a position where the laser beam can cross any person at head height.
- ◆ Do not let children come near the laser.

## Features

1. On/off switch
2. Vial
3. Laser aperture
4. Stand
5. Adjusting wheel
6. Wall pin
7. Keyhole wall mount

## Assembly

### Fitting the batteries (fig. A)

- ◆ Slide the battery cover (8) off the tool.
- ◆ Insert the batteries into the tool in the orientation as shown.

- ◆ Refit the cover and let it click into place.

### Installing the tool (fig. B - E)

The tool can be installed on a horizontal surface such as a floor or a table. Alternatively, the unit can be mounted to a wall.

### Fitting the tool to the stand (fig. B - D)

The tool can be installed on the adjustable stand (4), both horizontally and vertically.

- ◆ Choose a smooth and level surface to install the stand.
- ◆ When projecting horizontal laser lines on walls, place the tool on the stand horizontally, aligning the bottom of the tool with the profile on the stand.
- ◆ When projecting vertical laser lines on walls, place the tool on the stand horizontally, inserting the protrusion on the long side of the tool into the recess of the stand.
- ◆ When projecting laser lines on ceilings, place the tool on the stand vertically, inserting the protrusion on the short side of the tool into the recess of the stand.

### Fitting the tool to a wall (fig. E)

The unit can be mounted to walls using one of the wall mounts.

**Warning!** Keep the wall mounts in a safe place when not in use.

The keyhole wall mount (7) is used for mounting to most wall constructions.

- ◆ Drive a screw or nail into the wall.
- ◆ Hang the wall mount onto the fastener by the keyhole.
- ◆ Fit the tool to the wall mount by clinging the magnet (8) to the steel knob (9).

If the unit is mounted to drywall or other soft materials, the wall pin (6) must be used:

- ◆ Hold the bracket in front of a suitable location.
- ◆ Twist the knob (10) to press the pin (11) straight into the wall.
- ◆ Fit the tool to the wall mount by clinging the magnet (8) to the steel knob (12).

## Use

- ◆ Install the tool as required.
- ◆ To increase working distance and accuracy, place the laser in the middle of your working area. Brightness of area may affect line visibility.
- ◆ If necessary, hang the unit on the wall using the appropriate wall mount.

### Switching on and off

- ◆ To switch the tool on, slide the on/off switch (1) to the 'ON' position.
- ◆ To switch the tool off, slide the on/off switch (1) to the 'OFF' position.

### Adjusting the laser line (fig. B - E)

#### Using a wall set-up (fig. E)

- ◆ Switch the tool on.
- ◆ Hold the wall mount with one hand.
- ◆ Adjust the tool with the other hand until the vial parallel to the wall is level.

#### Using the adjustable stand (fig. B - D)

- ◆ Switch the tool on.
- ◆ Move the tool as necessary to position the laser line.
- ◆ When projecting horizontal laser lines on walls, level the vials on top of the unit.
- ◆ When projecting vertical laser lines on walls, level the vial on top of the unit.
- ◆ When projecting laser lines on ceilings, level the vials on the adjacent sides of the unit.
- ◆ Adjust the wheels (5), until the line is level.

## Protecting the environment



Separate collection. This product must not be disposed of with normal household waste.

Should you find one day that your Black & Decker product needs replacement, or if it is of no further use to you, do not dispose of it with household waste. Make this product available for separate collection.



Separate collection of used products and packaging allows materials to be recycled and used again. Re-use of recycled materials helps prevent environmental pollution and reduces the demand for raw materials.

Local regulations may provide for separate collection of electrical products from the household, at municipal waste sites or by the retailer when you purchase a new product.

Black & Decker provides a facility for the collection and recycling of Black & Decker products once they have reached the end of their working life. To take advantage of this service please return your product to any authorised repair agent who will collect them on our behalf.

You can check the location of your nearest authorised repair agent by contacting your local Black & Decker office at the address indicated in this manual. Alternatively, a list of authorised Black & Decker repair agents and full details of our after-sales service and contacts are available on the Internet at: **www.2helpU.com**

## Batteries



At the end of their useful life, discard batteries with due care for our environment.

- ◆ Remove the batteries as described above.
- ◆ Place the batteries in a suitable packaging to ensure that the terminals cannot be short-circuited.
- ◆ Take the batteries to a local recycling station.

## Technical data

	<b>BDL210S-XE</b>
Voltage	V 3
Battery size	R6P
Operating temperature	°C 0 - 40
Wave length	nm 633-670
Laser class	2
Laser power	mW <3.8
Weight	kg 0.45

## EC declaration of conformity

BDL210S-XE

Black & Decker declares that these products conform to:  
89/336/EEC, EN 61010, EN 60825

Kevin Hewitt  
Director of Consumer Engineering  
Spennymoor, County Durham DL16 6JG,  
United Kingdom  
1-12-2004

## Guarantee

Black & Decker is confident of the quality of its products and offers an outstanding guarantee. This guarantee statement is in addition to and in no way prejudices your statutory rights. The guarantee is valid within the territories of the Member States of the European Union and the European Free Trade Area.

If a Black & Decker product becomes defective due to faulty materials, workmanship or lack of conformity, within 24 months from the date of purchase, Black & Decker guarantees to replace defective parts, repair products subjected to fair wear and tear or replace such products to ensure minimum inconvenience to the customer unless:

- ◆ The product has been used for trade, professional or hire purposes;
- ◆ The product has been subjected to misuse or neglect;
- ◆ The product has sustained damage through foreign objects, substances or accidents;
- ◆ Repairs have been attempted by persons other than authorised repair agents or Black & Decker service staff.

To claim on the guarantee, you will need to submit proof of purchase to the seller or an authorised repair agent. You can check the location of your nearest authorised repair agent by contacting your local Black & Decker office at the address indicated in this manual. Alternatively, a list of authorised Black & Decker repair agents and full details of our after-sales service and contacts are available on the Internet at:  
**[www.2helpU.com](http://www.2helpU.com)**

Please visit our website **[www.blackanddecker.co.uk](http://www.blackanddecker.co.uk)** to register your new Black & Decker product and to be kept up to date on new products and special offers. Further information on the Black & Decker brand and our range of products is available at **[www.blackanddecker.co.uk](http://www.blackanddecker.co.uk)**



**Australia**

Black & Decker (Australia) Pty. Ltd. Tel. 03-8720 5100  
20 Fletcher Road, Mooroolbark, Fax 03-9727 5940  
Victoria, 3138

**New Zealand**

Black & Decker Tel. 09 579 7600  
81 Hugo Johnston Drive Fax 09 579 8200  
Penrose, Auckland, New Zealand