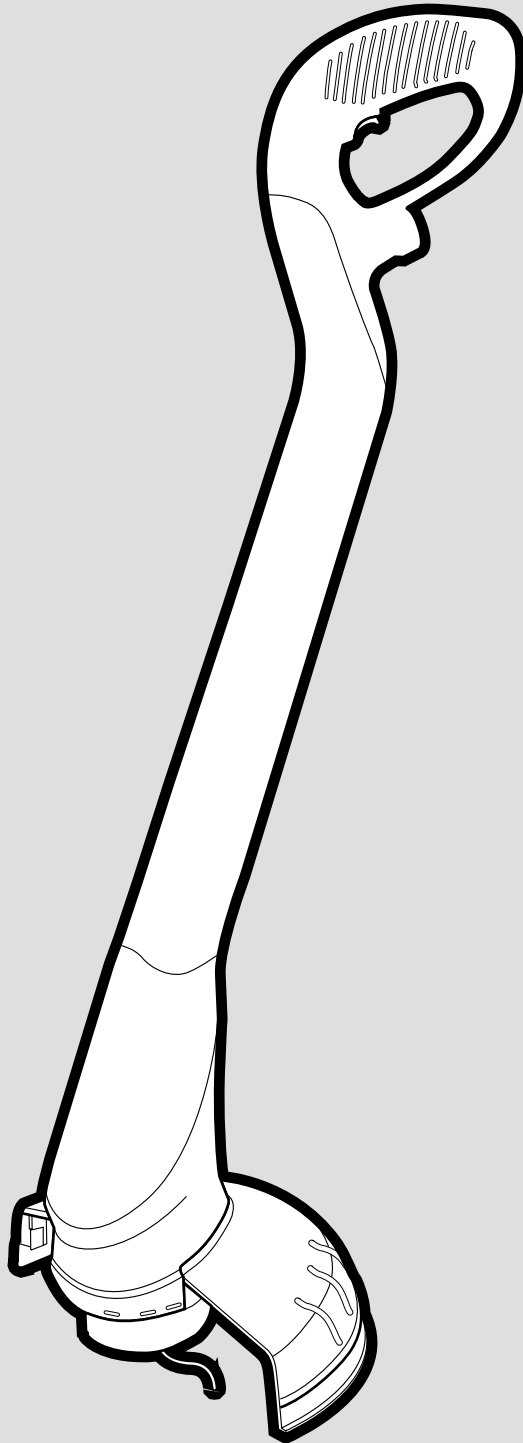


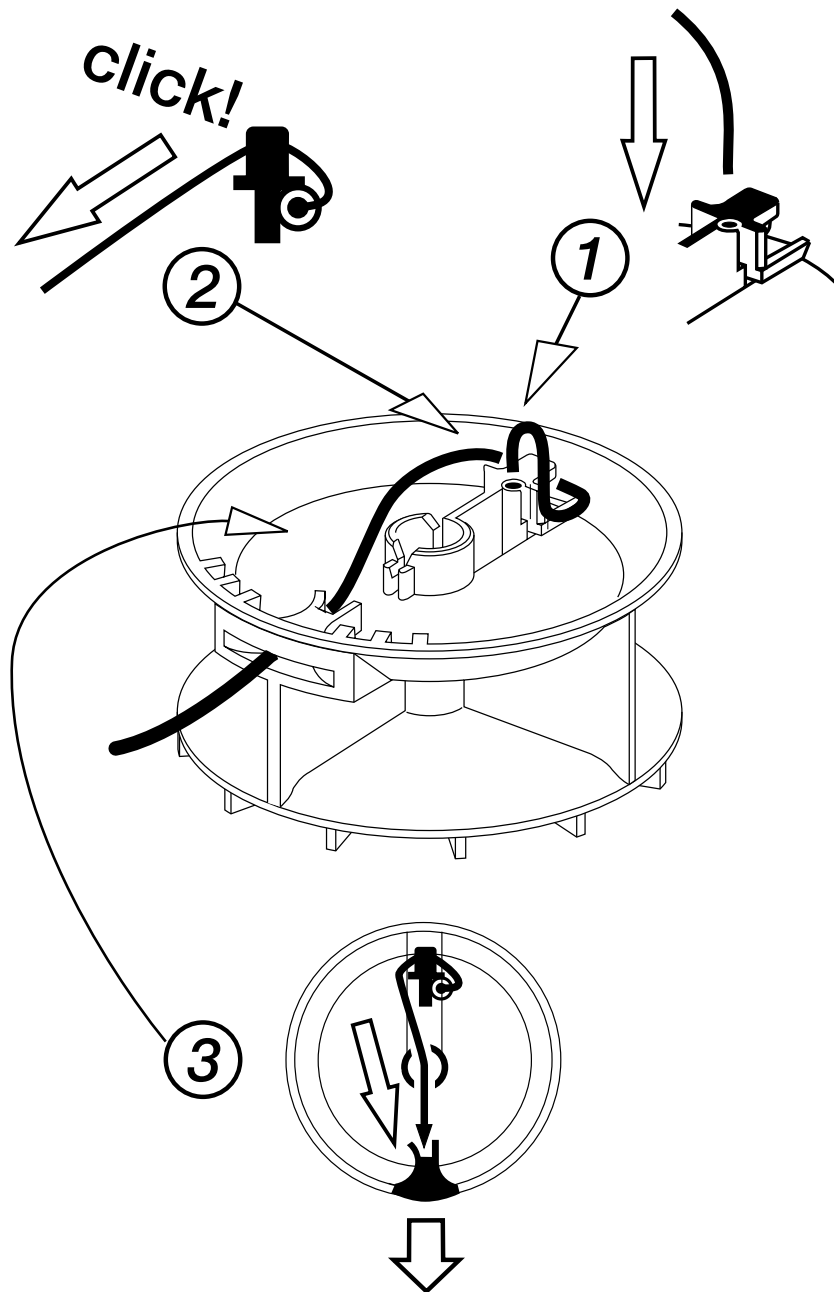


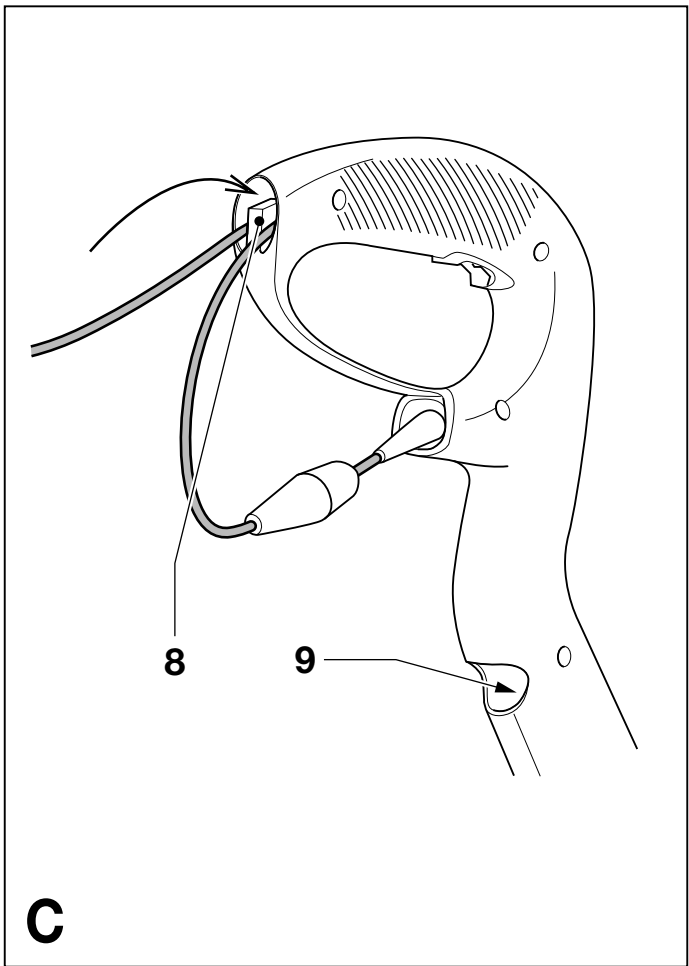
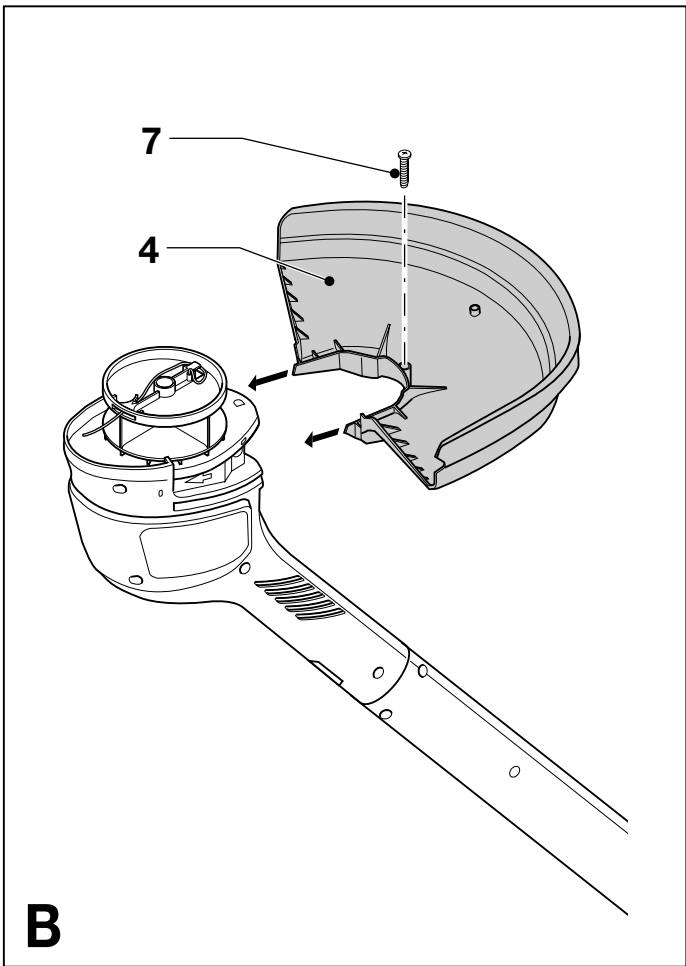
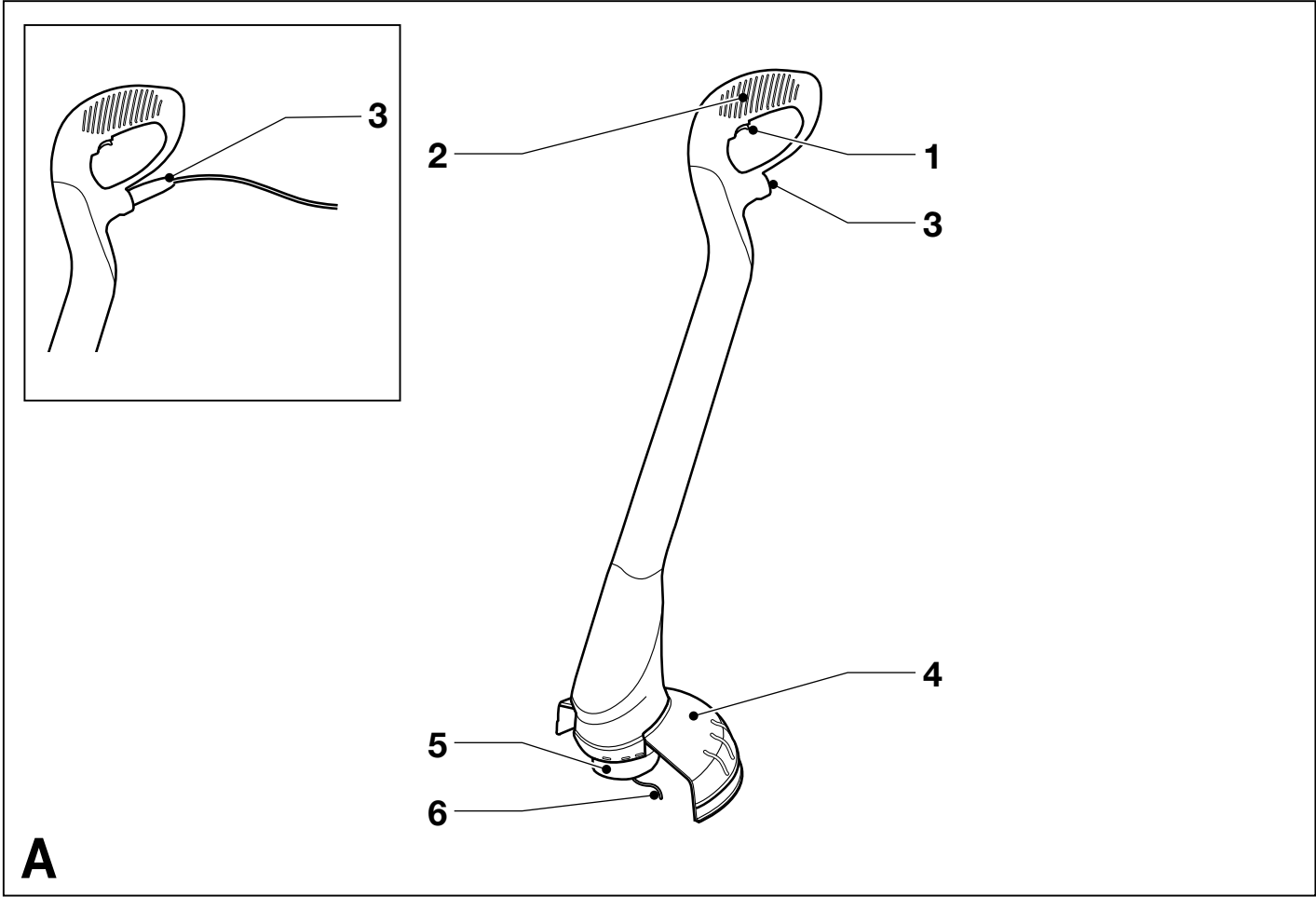
**BLACK &
DECKER®**

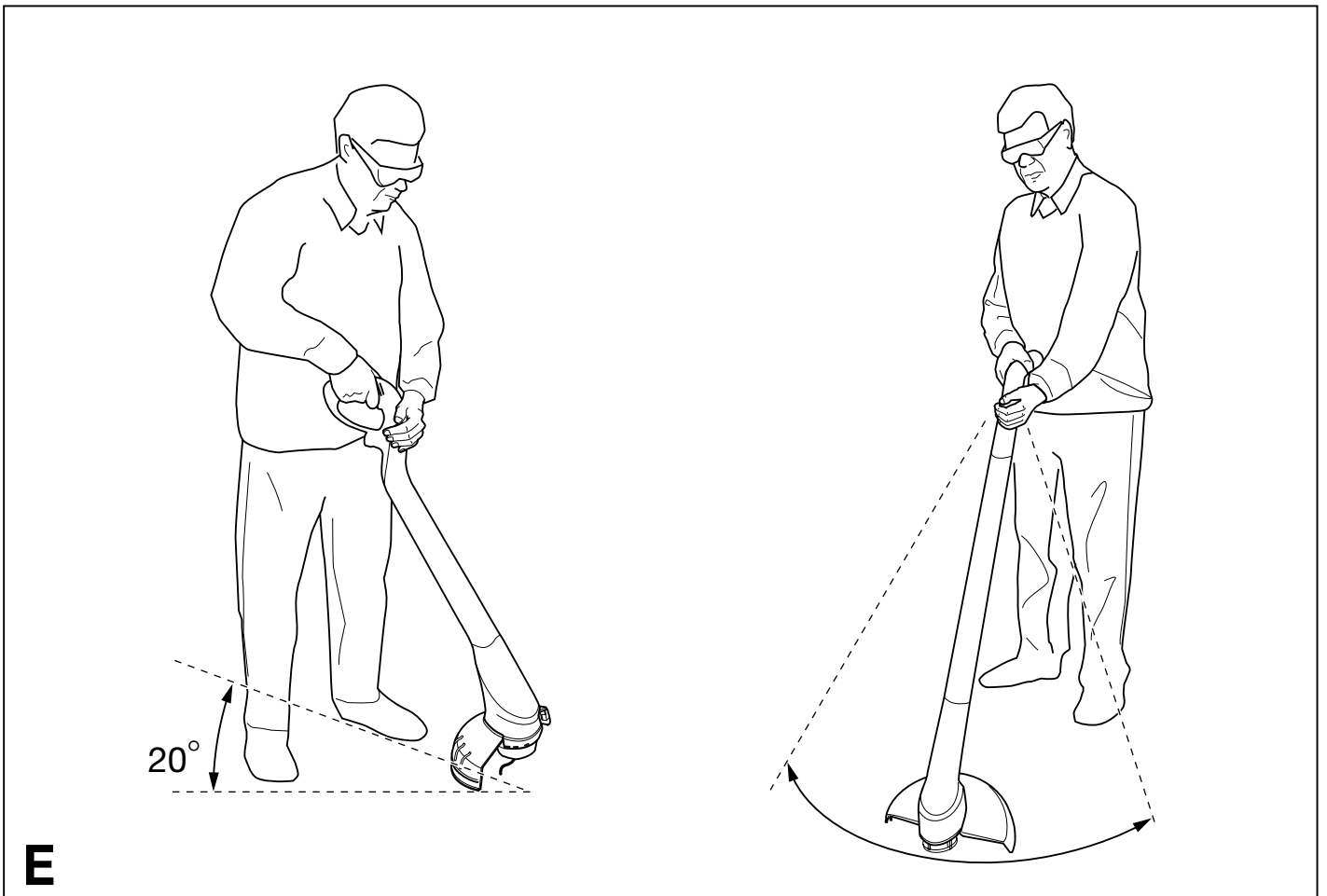
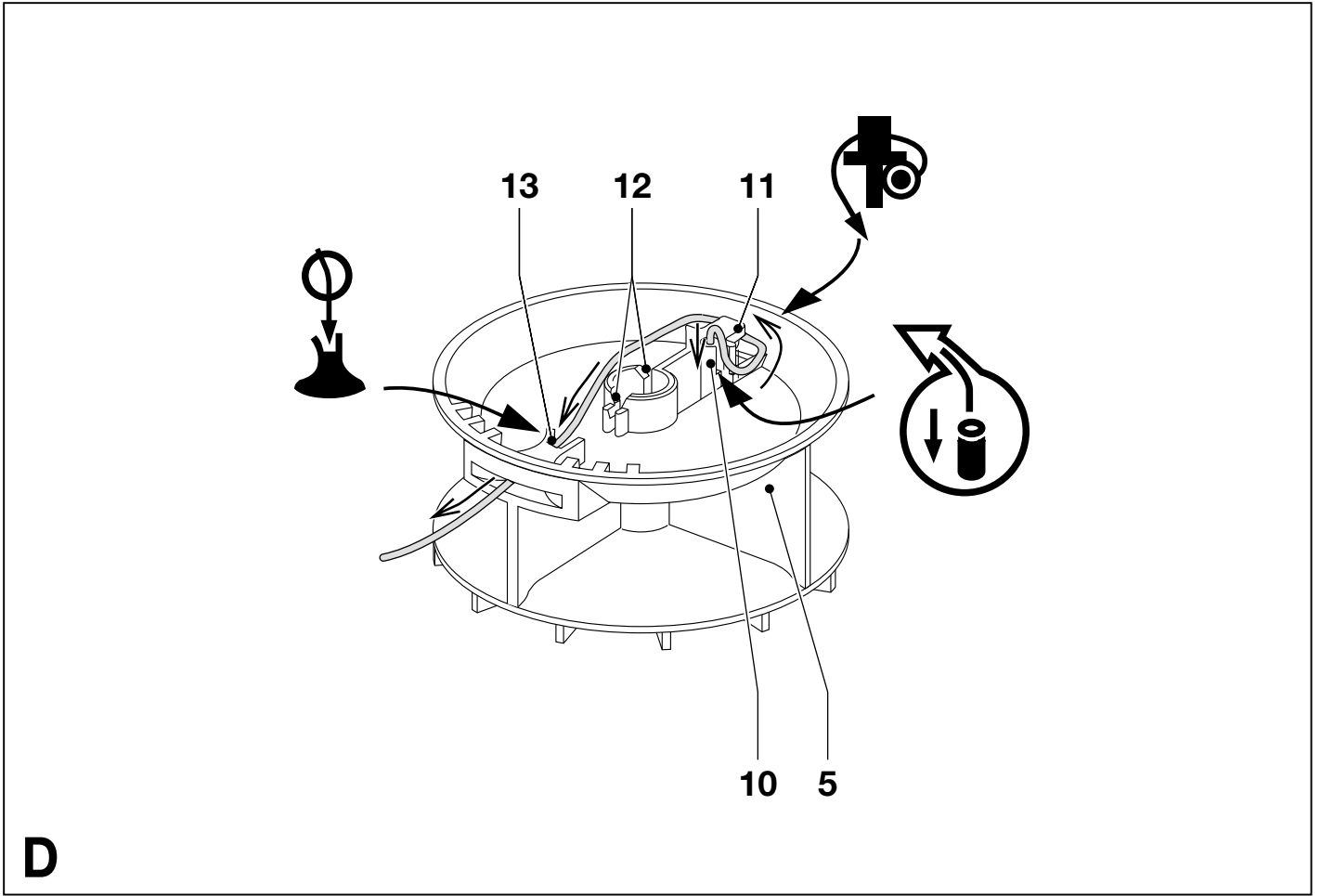


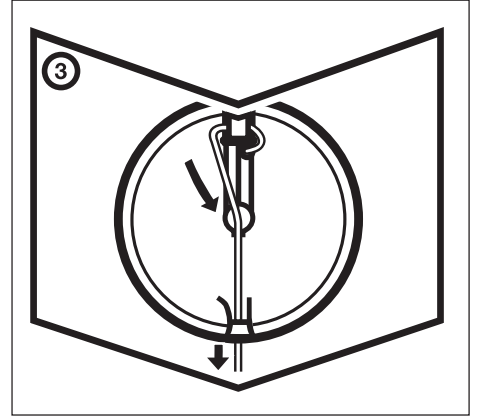
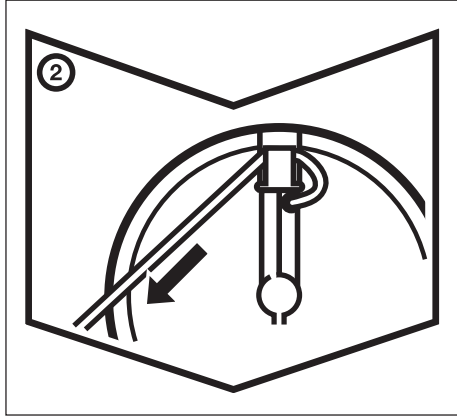
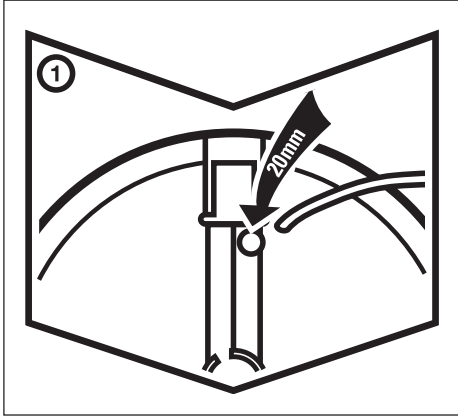
GL20

English	5
Deutsch	11
Français	17
Italiano	23
Nederlands	29
Español	35
Português	41
Ελληνικά	47









ENGLISH

1. Insert one end of a new piece of cutting line into the hole.
2. Guide the line under the retaining clip and pull the line until it clicks into place.
3. Guide the line into the two slots as shown and thread the line through the exit hole.

NEDERLANDS

1. Steek een uiteinde van een nieuw stuk snijdraad in het gat.
2. Voer de snijdraad onder de borgclip en trek totdat de draad vastklikt.
3. Voor de snijdraad zoals afgebeeld in de twee gleuven en steek de draad door de opening.

NORSK

1. Før enden av en ny trimmertråd inn i hullet.
2. Før tråden under holderklemmen, og trekk tråden ut til den klikker på plass.
3. Før tråden inn i de to sporene som vist, og trå den gjennom utmatingshullet.

DEUTSCH

1. Stecken Sie das eine Ende des neuen Schneidfadens in die Bohrung.
2. Führen Sie den Faden unter den Haken und ziehen Sie am Faden, bis er einrastet.
3. Führen Sie den Faden wie abgebildet in die beiden Nuten und stecken Sie den Faden durch die Öffnung.

ESPAÑOL

1. Introduzca un extremo del hilo de corte en el agujero.
2. Guíe el hilo por debajo del clip de retención y tire del hilo hasta que se coloque en posición con un clic.
3. Guíe el hilo hacia el interior de las dos ranuras tal y como se muestra y páselo por el orificio de salida.

DANSK

1. Indsæt den ene ende af et nyt stykke trimmertråd i hullet.
2. Før tråden under holdeclipsen og træk i tråden, til den klikker på plads.
3. Før tråden ind i de to riller som vist, og put den gennem udgangshullet.

FRANÇAIS

1. Insérez un des extrémités d'un nouveau morceau de fil de coupe dans le trou.
2. Faites glisser le fil sous le clip de blocage et tirez-le jusqu'à ce qu'il se mette en place.
3. Faites glisser le fil dans les deux encoches comme indiqué et passez-le dans l'orifice de sortie.

PORTUGUÊS

1. Insira no orifício uma das extremidades do novo fio de nylon.
2. Guie o fio por baixo do grampo retentor e puxe-o até encaixar no lugar.
3. Coloque o fio nas duas ranhuras conforme o indicado e passe-o pelo orifício de saída.

SUOMI

1. Aseta uuden leikkuulangan palan toinen pää reikään.
2. Vie lanka kiinnityspidikkeen alta ja vedä lankaa, kunnes se napsahtaa paikalleen.
3. Aseta lanka kahteen uraan kuvan mukaisesti ja vie se ulostuloreiän läpi.

ITALIANO

1. Inserire l'estremità di un nuovo pezzo di filo di taglio nel foro.
2. Guidare il filo sotto il fermo e tirarlo fino a che non si inserisce a scatto.
3. Guidare il filo nelle due fessure, come illustrato, e farlo passare attraverso il foro di uscita.

SVENSKA

1. Stick in ena ändan av en ny bit trimtråd i hålet.
2. För in tråden under fasthållarklämman och dra i den tills den fastnar med ett knäpp.
3. För in tråden i de två skårorna enligt bilden och trä ut den genom hålet.

ΕΛΛΗΝΙΚΑ

1. Τοποθετήστε το ένα άκρο ενός νέου κομματιού νήματος κοπής στην τρύπα.
2. Οδηγήστε το νήμα κάτω από το κλιπ συγκράτησης και τραβήξτε τη γραμμή μέχρι να κουμπώσει στη θέση της.
3. Οδηγήστε το νήμα μέσα στις δύο εγκοπές όπως εικονίζεται, και περάστε το νήμα μέσα από την οπή εξόδου.

STRIMMER GL20

CONGRATULATIONS!

You have chosen a Black & Decker tool. Our aim is to provide quality tools at an affordable price. We hope that you will enjoy using this tool for many years.

EC DECLARATION OF CONFORMITY

CE GL20 family
Black & Decker declares that these products conform to: 98/37/EC, 89/336/EEC, 73/23/EEC, EN 60335, EN 55014, EN 61000, 2000/14/EC, Lawn trimmer, L 50 cm

Annex VIII, No. 00086
B.S.I., HP2 4SQ, United Kingdom

Level of sound pressure, measured according to 2000/14/EC:

		GL20 family
L_{pA}	(sound pressure) dB(A)	81
L_{WA}	(acoustic power) dB(A)	94
L_{WA}	(guaranteed) dB(A)	96



Always wear ear protection if the sound pressure exceeds 85 dB(A).

Hand/arm weighted vibration value according to 98/37/EC:

GL20 family
< 2.5 m/s ²

Brian Cooke
Director of Engineering
Spennymoor, County Durham DL16 6JG,
United Kingdom
1-12-2001

INTENDED USE

Your Black & Decker strimmer has been designed for trimming lawn edges and to cut grass in confined spaces. This tool is intended for consumer use only.

SAFETY INSTRUCTIONS

Warning symbols

The following symbols are used in this manual:



Denotes risk of personal injury, loss of life or damage to the tool in case of non-observance of the instructions in this manual.



Denotes risk of electric shock.



Read the manual prior to operation.

Know your appliance



- ◆ **Warning!** When using mains-powered appliances, basic safety precautions, including the following, should always be followed to reduce the risk of fire, electric shock and personal injury.
- ◆ Read all of this manual carefully before operating the appliance.
- ◆ Before operating the appliance, make sure that you know how to switch it off in an emergency.
- ◆ The intended use is described in this manual. The use of any accessory or attachment or performance of any operation with this appliance other than those recommended in this instruction manual may present a risk of personal injury.
- ◆ Retain this manual for future reference.

Work area

- ◆ Do not expose the appliance to rain. Do not use the appliance in damp or wet conditions.
- ◆ Only use the appliance in daylight or good artificial light.

Personal protection

- ◆ Wear stout shoes or boots to protect your feet. Do not operate the appliance wearing open-toed sandals or when barefoot.
- ◆ Wear long trousers to protect your legs.

Using your appliance

- ◆ Be sure that the appliance is switched off when plugging in.
- ◆ Stay alert. Watch what you are doing. Use common sense.
- ◆ Do not operate the appliance when you are tired.
- ◆ If the appliance begins to vibrate abnormally, switch it off and remove the plug from the socket. Allow rotating parts to stop and inspect the appliance for damage and loose parts.
- ◆ Never pull the cord to disconnect the plug from the socket. Keep the cord away from heat, oil and sharp edges.
- ◆ If the mains cable is damaged during use, switch the appliance off and disconnect the plug from the mains immediately. **Do not touch the mains cable before disconnecting from the mains.**

Safety of others

- ◆ Do not allow children or any person unfamiliar with these instructions to operate the appliance.
- ◆ Do not allow children, visitors or animals to come near the work area or to touch the appliance or mains cable.
- ◆ Remember that the operator may be held responsible for accidents or hazards occurring to other people or their property.

After use

- ◆ Switch off, remove the plug from the socket and ensure that moving parts have stopped rotating before leaving the appliance unattended and before changing, cleaning or inspecting any parts of the appliance.

- ◆ When not in use, the appliance should be stored in a dry place. Children should not have access to stored appliances.

Inspection and repairs

- ◆ Before use, check the appliance for damaged or defective parts. Check for misalignment and seizure of moving parts, breakage of parts, damage to guards and switches and any other conditions that may affect its operation.
- ◆ Do not use the appliance if any part is damaged or defective. Do not use the appliance if the switch does not turn it on and off.
- ◆ Never use the appliance when any guard or enclosure is damaged or not in place.
- ◆ Ensure that the appliance will operate properly and perform its intended function.
- ◆ Have any damaged or defective parts repaired or replaced by an authorised repair agent.
- ◆ Before use, check the mains cable for signs of damage, ageing and wear.
- ◆ Do not use the appliance if the mains cable is damaged or defective.
- ◆ If the mains cable is damaged or defective it must be repaired by an authorised repair agent to avoid a hazard.
- ◆ Never attempt to remove or replace any parts other than those specified in this manual.

Additional safety instructions for grass trimmers

The following warning symbols are found on the appliance:



Wear safety glasses or goggles when operating this tool.



The cutting line will continue to run for a few seconds after switching the appliance off. Never attempt to force the line to come to a standstill.



Keep people and animals at least 6 m away from the cutting area.



Do not expose the appliance to rain or high humidity.



Switch off, remove the plug from the socket and ensure that moving parts have stopped rotating before leaving the appliance unattended and before changing, cleaning or inspecting any parts of the appliance.

- ◆ Before using the appliance, check that your cutting path is free from sticks, stones, wire and any other objects.
- ◆ Only use the appliance in the correct position, with the cutting line near the ground, as shown in the illustrations. Never switch the appliance on in any other position.
- ◆ Switch on the appliance only when hands and feet are away from the cutting line.
- ◆ Avoid body contact with the cutting line while the appliance is running.
- ◆ Do not work on steep slopes. Be sure of your footing. Be aware that freshly cut grass is damp and slippery.
- ◆ Take care when trimming near borders and gravel paths or roads, as stones and soil may be moved by the cutting line.
- ◆ Do not put the appliance down until the cutting line has come to a complete standstill.
- ◆ Use only the appropriate type of Black & Decker cutting line. Never use metal cutting line or fishing line.
- ◆ After extending new cutting line, always return the appliance to its normal operating position before switching on.
- ◆ Take care to keep the mains cable away from the cutting line. Always be aware of the position of the cable.

ELECTRICAL SAFETY

The appliance has been designed for one voltage only. Always check that the power supply corresponds to the voltage on the rating plate.



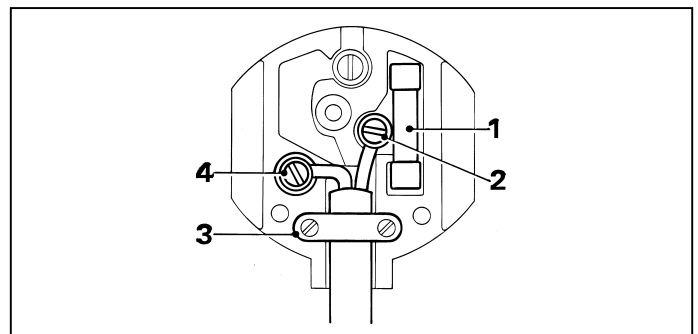
This appliance is designed for use on AC (mains) power supplies only. Do not attempt to use on any other supply.



This appliance is double insulated in accordance with EN 60335; therefore no earth wire is required.

- ◆ Prevent body contact with earthed or grounded surfaces (e.g. metal railings, lamp-posts etc.).
- ◆ Electric safety can be further improved by using a high-sensitivity (30 mA/30 mS) residual current device (RCD).

Mains plug replacement (U.K. & Ireland only)



- ◆ Should your mains plug need replacing and you are competent to do this, proceed as instructed below. If you are in doubt, contact an authorised repair agent or a qualified electrician.
- ◆ Disconnect the plug from the supply and remove the fuse from the plug.
- ◆ Cut off the plug and dispose of it safely; a plug with bared copper conductors is dangerous if engaged in a live socket outlet.
- ◆ Only fit 13 Amperes BS1363A approved plugs fitted with the correctly rated fuse (1). Use 5 Amperes fuses.
- ◆ The cable wire colours, or a letter, will be marked at the connection points of most good quality plugs. Attach the wires to their respective points in the plug (see above). Brown is for Live (L) (2), blue is for Neutral (N) (4).
- ◆ Before replacing the top cover of the mains plug ensure that the cable restraint (3) is holding the outer sheath of the cable firmly and that the leads are correctly fixed at the terminal screws.
- ◆ If the plug has a fuse cover, make sure that the fuse cover is fitted. Do not use the plug if the fuse cover is missing or damaged.



Never use a light socket.

Using an extension cable

Always use an approved extension cable suitable for the power input of this appliance (see rating plate). The extension cable must be suitable for outdoor use.

- ◆ Before use, inspect the cable for signs of damage, wear and ageing. Replace the extension cable if damaged or defective.
- ◆ When using a cable reel, always unwind the cable completely.
- ◆ Take care to keep the cable away from the cutting line. Always be aware of the position of the cable.

CARTON CONTENTS

The carton contains:

- 1 Grass trimmer
- 1 Guard with mounting screw
- 1 Pack with pieces of cutting line
- 1 Instruction manual

- ◆ Carefully unpack all parts.

OVERVIEW (fig. A)

- 1. On/off switch
- 2. Handle
- 3. Power inlet (not for UK)
- 3. Mains cable (UK)
- 4. Guard
- 5. Line retainer
- 6. Cutting line

ASSEMBLY



Before assembly, make sure that the tool is switched off and unplugged.

Fitting the guard (fig. B)

- ◆ Unplug the tool.
- ◆ Remove the screw (7) from the guard (4).
- ◆ Place the guard (4) onto the tool as shown.
- ◆ Firmly press the guard until it snaps into place.
- ◆ Secure the guard with the screw (7).



Never use the tool unless the guard is properly fitted.

Fitting a new piece of cutting line (fig. C & D)

Replacement packs containing pieces of pre-cut cutting line are available from your Black & Decker dealer (cat. no. A5995). Alternatively, you can purchase a pack containing 25 or 40 m of cutting line (A6170/A6171) and cut the line into pieces of 177 mm each. The tool is equipped with a storage compartment (9) for pieces of cutting line (fig. C).

- ◆ Unplug the tool.
- ◆ Remove any remaining cutting line from the line retainer.
- ◆ Remove any dirt and grass from the line retainer.
- 1. Insert one end of a new piece of cutting line into the hole (10).
- 2. Guide the line under the retaining clip (11) and pull the line until it clicks into place.
- 3. Guide the line into the two slots (12) as shown and thread the line through the exit hole (13).
- ◆ Make sure the line is securely fitted.



Only use 1.5 mm diameter Black & Decker cutting line.

Connecting the tool to the mains (fig. A & C)

Unless the tool is fitted with a mains cable, you will need to connect an extension cable to the power inlet (3).

- ◆ Connect the female socket of a suitable extension cable to the power inlet (3).
- ◆ Loop the cable through the cable restraint (8) as shown to prevent the extension cable from becoming detached during use.
- ◆ Insert the mains plug into a mains outlet.



The extension cable must be suitable for outdoor use.

USE



Let the tool work at its own pace. Do not overload.

Switching on and off (fig. A)

- ◆ To switch the tool on, push the on/off switch (1).

- ◆ To switch the tool off, release the the on/off switch.



Never attempt to lock a switch in the on position.

Hints for optimum use

- ◆ Hold the tool as shown in fig. E.
- ◆ Gently swing the trimmer from side to side as shown in fig. E.
- ◆ When cutting long grass, work in stages from the top.
- ◆ Keep the tool away from hard objects and delicate plants.
- ◆ If the tool starts running slowly, reduce the load.
- ◆ In order to achieve optimum cutting results, only cut dry grass.
- ◆ Replace the cutting line when worn.

MAINTENANCE

Your Black & Decker tool has been designed to operate over a long period of time with a minimum of maintenance. Continuous satisfactory operation depends upon proper tool care and regular cleaning.



- ◆ Before performing any maintenance, switch off and unplug the tool.
- ◆ Do not use any abrasive or solvent-based cleaner.
- ◆ Regularly clean the ventilation slots in your tool using a soft brush or dry cloth.
- ◆ Regularly clean the cutting line and line retainer using a soft brush or dry cloth.
- ◆ Regularly use a blunt scraper to remove grass and dirt from the underneath of the guard.
- ◆ Regularly check the cutting line for wear.

TROUBLESHOOTING

If your tool seems not to operate properly, follow the instructions below. If this does not solve the problem, please contact your local Black & Decker repair agent.



Before proceeding, unplug the tool.

Tool does not start

- ◆ Check that the power cables are properly connected.
- ◆ Check the mains fuses.

Tool vibrates strongly

- ◆ Carefully clean the line retainer.
- ◆ Check that the line retainer is firmly attached and that it is not damaged. Have it repaired or replaced if necessary.
- ◆ Check that the cutting line is present and properly fitted.
- ◆ Check the cutting line for damage. Replace if necessary.

PROTECTING THE ENVIRONMENT



Black & Decker provides a facility for recycling Black & Decker products once they have reached the end of their working life. This service is provided free of charge. To take advantage of this service please return your product to any authorised repair agent who will collect them on our behalf.

You can check the location of your nearest authorised repair agent by contacting your local Black & Decker office at the address indicated in this manual. Alternatively, a list of authorised Black & Decker repair agents and full details of our after-sales service and contacts are available on the Internet at: www.2helpU.com.

GUARANTEE

Black & Decker is confident of the quality of its products and offers an outstanding guarantee. This guarantee statement is in addition to and in no way prejudices your statutory rights. The guarantee is valid within the territories of the Member States of the European Union and the European Free Trade Area.

If a Black & Decker product becomes defective due to faulty materials, workmanship or lack of conformity, within 24 months from the date of purchase, Black & Decker guarantees to replace defective parts, repair products subjected to fair wear and tear or replace such products to ensure minimum inconvenience to the customer unless:

- ◆ The product has been used for trade, professional or hire purposes;
- ◆ The product has been subjected to misuse or neglect;
- ◆ The product has sustained damage through foreign objects, substances or accidents;
- ◆ Repairs have been attempted by other persons than authorised repair agents or Black & Decker service staff.

To claim on the guarantee, you will need to submit proof of purchase to the seller or an authorised repair agent. You can check the location of your nearest authorised repair agent by contacting your local Black & Decker office at the address indicated in this manual. Alternatively, a list of authorised Black & Decker repair agents and full details of our after-sales service and contacts are available on the Internet at:

www.2helpU.com.

OTHER OUTDOOR TOOLS

Black & Decker has a full range of outdoor power tools that make life in the garden easy. If you would like further information on the following products, please contact our Service and Information Centre (see the address page towards the end of this manual) or your local Black & Decker retailer.

String trimmers	Chainsaws
Cordless shear	Hedgetrimmers
Lawnmowers	Lawnrakers
Leafbusters	Shredders

Not all products are available in all countries.

RASENTRIMMER GL20

HERZLICHEN GLÜCKWUNSCH!

Sie haben sich für ein Gerät von Black & Decker entschieden. Wir möchten Qualitätsgeräte zu einem erschwinglichen Preis bieten. Wir hoffen, daß Sie dieses Gerät viele Jahre mit Freude verwenden werden.

EU-KONFORMITÄTSERKLÄRUNG



GL20

Black & Decker erklärt hiermit, daß diese Geräte entsprechend folgenden Richtlinien und Normen konzipiert wurden: 98/37/EWG, 89/336/EWG, 73/23/EWG, EN 60335, EN 55014, EN 61000, 2000/14/EWG, Rasentrimmer, L 50 cm

Annex VIII, No. 00086

B.S.I., HP2 4SQ, United Kingdom

Höhe des Schalldrucks, gemessen nach 2000/14/EC:

		GL20
L_{pA}	(Schalldruck) dB(A)	81
L_{WA}	(Schalleistung) dB(A)	94
L_{WA}	(garantiert) dB(A)	96



Tragen Sie bei einem Schalldruck über 85 dB(A) einen Gehörschutz.

Gewichteter Effektivwert der Beschleunigung nach 98/37/EWG:

GL20
< 2,5 m/s ²

Brian Cooke

Director of Engineering

Spennymoor, County Durham DL16 6JG,

United Kingdom

1-12-2001

BESTIMMUNGSGEMÄSSE

VERWENDUNG

Ihr Black & Decker Rasentrimmer wurde zum Trimmen von Rasenkanten sowie zum Schneiden von Gras an schwer zugänglichen Stellen entwickelt.

Dieses Gerät ist nicht für den gewerblichen Einsatz vorgesehen.

SICHERHEITSHINWEISE

Warnsymbole

Folgende Warnsymbole werden in dieser Anleitung verwendet:



Verletzungsgefahr, Lebensgefahr oder mögliche Beschädigung des Geräts infolge der Nichtbeachtung der Anweisungen dieser Anleitung!



Gefahr eines elektrischen Schlages.



Lesen Sie vor der Inbetriebnahme die Anleitung.

Kennen Sie Ihr Gerät



- ◆ **Warnung!** Bei der Verwendung elektrischer Geräte sind zum Schutz gegen Feuergefahr, gegen elektrischen Schlag sowie gegen Körperschaden grundlegende Sicherheitsmaßnahmen, einschließlich der folgenden Vorschriften, zu beachten.
- ◆ Lesen Sie diese Anleitung gründlich durch, bevor Sie das Gerät verwenden.
- ◆ Informieren Sie sich vor der Inbetriebnahme, wie Sie das Gerät im Notfall ausschalten.

- ◆ Die bestimmungsgemäße Verwendung ist in dieser Betriebsanleitung beschrieben. Das Verwenden anderer als der in dieser Anleitung empfohlenen Vorsatzgeräte und Zubehörteile oder die Ausführung von Arbeiten mit diesem Gerät, die nicht der bestimmungsgemäßen Verwendung entsprechen, kann zu Unfallgefahren führen.
- ◆ Bewahren Sie diese Anleitung auf.

Arbeitsbereich

- ◆ Setzen Sie das Gerät keinem Regen aus. Verwenden Sie das Gerät nicht in einer feuchten oder nassen Umgebung.
- ◆ Verwenden Sie das Gerät nur bei Tageslicht oder guter künstlicher Beleuchtung.

Schutzmaßnahmen

- ◆ Tragen Sie zum Schutz Ihrer Füße feste Schuhe oder Stiefel. Verwenden Sie das Gerät nicht barfuß oder mit offenen Sandalen.
- ◆ Tragen Sie zum Schutz Ihrer Beine lange Hosen.

Verwendung des Geräts

- ◆ Vergewissern Sie sich, daß das Gerät ausgeschaltet ist, wenn Sie es an die Stromversorgung anschließen.
- ◆ Seien Sie stets aufmerksam. Konzentrieren Sie sich auf Ihre Arbeit. Gehen Sie vernünftig vor.
- ◆ Verwenden Sie das Gerät nicht, wenn Sie müde sind.
- ◆ Falls das Gerät stark vibriert, schalten Sie es aus und ziehen Sie den Netzstecker. Lassen Sie rotierende Teile zum Stillstand kommen und überprüfen Sie das Gerät auf Beschädigungen und lockere Teile.
- ◆ Benutzen Sie das Kabel nicht, um den Stecker aus der Steckdose zu ziehen. Schützen Sie das Kabel vor Hitze, Öl und scharfen Kanten.
- ◆ Falls das Netzkabel während des Gebrauchs beschädigt wird, schalten Sie das Gerät sofort aus und ziehen Sie den Netzstecker. **Berühren Sie das Netzkabel nicht, bevor Sie den Netzstecker gezogen haben.**

Sicherheit anderer Personen

- ◆ Untersagen Sie Kindern sowie Personen, die sich mit dem Inhalt dieser Anleitung nicht auskennen, die Verwendung dieses Geräts.
- ◆ Halten Sie Kinder, Besucher und Tiere dem Arbeitsbereich fern und sorgen Sie dafür, daß Sie das Gerät und das Netzkabel nicht berühren.
- ◆ Denken Sie daran, daß der Benutzer für Unfälle und Schäden haftet.

Nach dem Gebrauch

- ◆ Schalten Sie das Gerät aus, ziehen Sie den Netzstecker und vergewissern Sie sich, daß rotierende Teile zum Stillstand gekommen sind, bevor Sie das Gerät unbeaufsichtigt zurücklassen und bevor Sie irgendwelche Teile des Gerätes austauschen, reinigen oder überprüfen.
- ◆ Unbenutzte Geräte sind an einem trockenen Ort aufzubewahren. Kinder sollten keinen Zugang zu aufbewahrten Geräten haben.

Inspektion und Reparaturen

- ◆ Überprüfen Sie das Gerät vor dem Gebrauch auf beschädigte oder defekte Teile. Überprüfen Sie, ob alle beweglichen Teile richtig montiert sind, ob keine Teile gebrochen sind, ob keine Schutzvorrichtungen und Schalter beschädigt sind, und ob irgendwelche andere Schäden den einwandfreien Betrieb des Gerätes beeinträchtigen könnten.
- ◆ Benutzen Sie das Gerät nicht, wenn irgendein Teil defekt ist. Verwenden Sie das Gerät nicht, wenn der Ein-/Aus-Schalter nicht funktioniert.
- ◆ Verwenden Sie das Gerät auf keinen Fall, wenn eine Schutzvorrichtung oder Abdeckung beschädigt ist bzw. fehlt.
- ◆ Vergewissern Sie sich, daß das Gerät ordnungsgemäß funktionieren wird.
- ◆ Lassen Sie defekte Teile immer von einer unserer Kundendienstwerkstätten reparieren oder austauschen.
- ◆ Überprüfen Sie vor dem Gebrauch das Netzkabel auf Beschädigung, Alterung und Verschleiß.
- ◆ Benutzen Sie das Gerät nicht, wenn das Netzkabel beschädigt oder defekt ist.

- ◆ Falls das Netzkabel beschädigt oder defekt ist, ist es von einer autorisierten Reparaturwerkstatt auszutauschen, um Gefahren vorzubeugen.
- ◆ Versuchen Sie nie, irgendwelche Teile zu entfernen oder auszutauschen, wenn dies in der Anleitung nicht beschrieben wird.

Zusätzliche Sicherheitshinweise für Rasentrimmer

Das Gerät ist mit folgendem Symbol versehen:



Tragen Sie bei der Verwendung dieses Geräts eine Schutzbrille!



Nach dem Ausschalten des Gerätes läuft der Schneidfaden noch einige Sekunden lang nach. Versuchen Sie nie, den Schneidfaden anzuhalten.



Halten Sie Umstehende und Tiere dem Arbeitsbereich mindestens 6 m fern.



Setzen Sie das Gerät keinem Regen oder hoher Feuchtigkeit aus.



Schalten Sie das Gerät aus, ziehen Sie den Netzstecker und vergewissern Sie sich, daß rotierende Teile zum Stillstand gekommen sind, bevor Sie das Gerät unbeaufsichtigt zurücklassen und bevor Sie irgendwelche Teile des Gerätes austauschen, reinigen oder überprüfen.

- ◆ Bevor Sie das Gerät verwenden, vergewissern Sie sich, daß der Arbeitsbereich frei von Steinen, Draht und anderen Fremdkörpern ist.
- ◆ Verwenden Sie das Gerät nur in der korrekten Position, mit dem Schneidfaden nahe am Boden (siehe Abbildungen). Schalten Sie das Gerät nie ein, wenn es sich in einer anderen Position befindet.
- ◆ Schalten Sie das Gerät nicht ein, wenn sich Hände oder Füße im Bereich des Schneidfadens befinden.
- ◆ Berühren Sie nie den Schneidfaden, während das Gerät läuft.

- ◆ Arbeiten Sie nicht auf steilen Hängen. Achten Sie auf einen sicheren Stand. Beachten Sie, daß frisch geschnittenes Gras feucht und schlüpfrig ist.
- ◆ Gehen Sie beim Trimmen entlang Rasenkanten sowie in der Nähe von Kiespfaden und -wegen vorsichtig vor, da Steine und Erde durch den Schneidfaden weggeschleudert werden können.
- ◆ Legen Sie das Gerät nicht ab, bevor der Schneidfaden zum Stillstand gekommen ist.
- ◆ Verwenden Sie nur Black & Decker Schneidfaden vom richtigen Typ. Verwenden Sie nie Schneidfäden aus Metall oder Angelschnur.
- ◆ Nach dem Verlängern des Schneidfadens bringen Sie das Gerät wieder in die Betriebsposition, bevor Sie es einschalten.
- ◆ Halten Sie das Netzkabel dem Schneidfaden fern. Achten Sie immer auf die Position des Kabels.

ELEKTRISCHE SICHERHEIT

Das Gerät wurde für nur eine bestimmte Spannung konzipiert. Überprüfen Sie deswegen, ob die Netzspannung der auf dem Typenschild angegebenen Spannung entspricht.



Dieses Gerät wurde ausschließlich für Wechselstrombetrieb (Lichtnetz) ausgelegt. Versuchen Sie nicht, das Gerät mit einer anderen Stromversorgung zu betreiben.



Dieses Gerät ist gemäß EN 60335 doppelt isoliert; eine Erdleitung ist somit nicht erforderlich.



Bei Ersatz des Netzkabels achten Sie auf Verwendung des Schweizer Netzsteckers: Typ 11 für Geräte Klasse II (Doppelisolierung)

- ◆ Vermeiden Sie eine Berührung des Körpers mit geerdeten Gegenständen (z.B. Metallgeländer, Laternenpfähle usw.).

- ◆ Die elektrische Sicherheit läßt sich durch Verwendung eines Fehlerstrom-Schutzschalters (30 mA/30 mS) weiter erhöhen.

Verlängerungskabel

Verwenden Sie nur zugelassene Verlängerungskabel, die sich für die Leistungsaufnahme des Geräts eignen (siehe Typenschild). Das Verlängerungskabel muß für den Einsatz im Freien geeignet sein.

- ◆ Überprüfen Sie vor dem Gebrauch das Netzkabel auf Beschädigung, Alterung und Verschleiß. Tauschen Sie ein beschädigtes oder defektes Verlängerungskabel aus.
- ◆ Rollen Sie das Kabel bei Verwendung einer Kabelrolle immer völlig aus.
- ◆ Halten Sie das Kabel dem Schneidfaden fern. Achten Sie immer auf die Position des Kabels.

INHALT DER VERPACKUNG

Die Verpackung enthält:

- 1 Rasentrimmer
- 1 Schutzhaube mit Befestigungsschraube
- 1 Verpackung mit Schneidfäden
- 1 Bedienungsanleitung

- ◆ Packen Sie sorgfältig alle Teile aus.

GERÄTEBESCHREIBUNG (Abb. A)

- 1. Ein-/Aus-Schalter
- 2. Handgriff
- 3. Netzanschluß
- 4. Schutzhaube
- 5. Fadenhalter
- 6. Schneidfaden

MONTAGE



Vergewissern Sie sich vor der Montage, daß das Gerät ausgeschaltet ist und daß der Netzstecker gezogen wurde.

Montieren der Schutzhaube (Abb. B)

- ◆ Ziehen Sie den Netzstecker.
- ◆ Entfernen Sie die Schraube (7) aus der Schutzhaube (4).

- ◆ Bringen Sie die Schutzhaube (4) gemäß der Abbildung auf dem Gerät an.
- ◆ Drücken Sie die Schutzhaube auf das Gerät, bis sie einrastet.
- ◆ Befestigen Sie die Schutzhaube mit Hilfe der Schraube (7).



Verwenden Sie das Gerät nur, wenn die Schutzhaube ordnungsgemäß montiert ist.

Anbringen eines neuen Schneidfadens (Abb. C & D)

Verpackungen mit Schneidfäden sind bei Ihrem Black & Decker Händler erhältlich (Bestellnummer A5995). Sie können auch eine Verpackung mit 25 m oder 40 m Schneidfaden (A6170/A6171) kaufen und den Faden in Stücke zu je 177 mm schneiden. Dieses Gerät ist mit einem Fach (9) für Schneidfäden versehen (Abb. C).

- ◆ Ziehen Sie den Netzstecker.
 - ◆ Entfernen Sie etwaige Fadenreste vom Fadenhalter.
 - ◆ Entfernen Sie Schmutzreste und Gras vom Fadenhalter.
1. Stecken Sie das eine Ende des neuen Schneidfadens in die Bohrung (10).
 2. Führen Sie den Faden unter den Haken (11) und ziehen Sie am Faden, bis er einrastet.
 3. Führen Sie den Faden wie abgebildet in die beiden Nuten (12) und stecken Sie den Faden durch die Öffnung (13).
- ◆ Vergewissern Sie sich, daß der Faden ordnungsgemäß befestigt ist.



Verwenden Sie nur Black & Decker Schneidfaden mit 1,5 mm Durchmesser.

Anschließen an die Stromversorgung (Abb. A & C)

- ◆ Schließen Sie die Steckerbuchse eines geeigneten Verlängerungskabels an den Netzanschluß (3) an.
- ◆ Haken Sie eine Schleife des Kabels wie abgebildet hinter die Zugentlastung (8), damit das Verlängerungskabel sich während des Gebrauchs nicht lösen kann.
- ◆ Stecken Sie den Netzstecker in eine Steckdose.



Das Verlängerungskabel muß für den Einsatz im Freien geeignet sein.

GEBRAUCH



Beschleunigen Sie den Arbeitsvorgang nicht mit Gewalt. Vermeiden Sie eine Überlastung des Gerätes.

Ein- und Ausschalten (Abb. A)

- ◆ Um das Gerät einzuschalten, drücken Sie den Ein-/Aus-Schalter (1).
- ◆ Um das Gerät auszuschalten, lassen Sie den Ein-/Aus-Schalter los.



Versuchen Sie nie, einen Schalter in eingeschaltetem Zustand zu verriegeln.

Ratschläge für optimale Arbeitsergebnisse

- ◆ Halten Sie das Gerät, wie in Abb. E dargestellt.
- ◆ Schwingen Sie den Rasentrimmer leicht hin und her, wie in Abb. E dargestellt.
- ◆ Bei langem Gras arbeiten Sie stufenweise in kleinen Schritten von oben nach unten.
- ◆ Halten Sie das Gerät harten Gegenständen und empfindlichen Pflanzen fern.
- ◆ Falls das Gerät anfängt, langsam zu laufen, verringern Sie die Belastung.
- ◆ Um optimale Schnittergebnisse zu erzielen, schneiden Sie nur trockenes Gras.
- ◆ Tauschen Sie den Schneidfaden aus, wenn er abgenutzt ist.

WARTUNG

Ihr Black & Decker Gerät wurde für eine lange Lebensdauer und einen möglichst geringen Wartungsaufwand entwickelt. Ein dauerhafter, einwandfreier Betrieb setzt eine regelmäßige Reinigung voraus.



Bevor Sie irgendwelche Wartungsarbeiten vornehmen, schalten Sie das Gerät aus und ziehen Sie den Netzstecker.

- ◆ Reinigen Sie regelmäßig die Lüftungsschlitze im Gerät mit Hilfe einer weichen Bürste oder eines trockenen Tuches.

- ◆ Reinigen Sie regelmäßig den Schneidfaden und Fadenhalter mit Hilfe einer weichen Bürste oder eines trockenen Tuches.
- ◆ Verwenden Sie regelmäßig einen stumpfen Schaber, um Gras und Schmutzreste von der Unterseite der Schutzhaube zu entfernen.
- ◆ Überprüfen Sie regelmäßig den Schneidfaden auf Abnutzung.



Verwenden Sie keine scheuernden Reinigungsmittel oder Reinigungsmittel auf Lösungsmittelbasis.

STÖRUNGSBEHEBUNG

Falls Ihr Gerät nicht ordnungsgemäß funktioniert, befolgen Sie folgende Hinweise. Falls die Störung damit nicht behoben wird, wenden Sie sich bitte an den Black & Decker Kundendienst.



Bevor Sie die folgenden Schritte vornehmen, ziehen Sie den Netzstecker.

Gerät startet nicht

- ◆ Überprüfen Sie, ob die Netzkabel ordnungsgemäß angeschlossen sind.
- ◆ Prüfen Sie die Netzsicherungen.

Gerät vibriert stark

- ◆ Reinigen Sie sorgfältig den Fadenhalter.
- ◆ Überprüfen Sie, ob der Fadenhalter gut befestigt und nicht beschädigt ist. Lassen Sie den Fadenhalter bei Bedarf reparieren oder austauschen.
- ◆ Vergewissern Sie sich, daß ein Schneidfaden vorhanden und ordnungsgemäß befestigt ist.
- ◆ Überprüfen Sie den Schneidfaden auf Beschädigung. Tauschen Sie ihn bei Bedarf aus.

UMWELTSCHUTZ



Black & Decker nimmt Ihre ausgedienten Black & Decker Geräte gern zurück und sorgt für eine umweltfreundliche Entsorgung. Diese Dienstleistung ist für Sie kostenlos. Um diese Dienstleistung in Anspruch zu nehmen, geben Sie das Gerät bitte bei einer autorisierten Reparaturwerkstatt ab, die für uns die Einsammlung übernimmt.

Die Adresse des zuständigen Büros von Black & Decker finden Sie in dieser Anleitung, darüber läßt sich die nächstgelegene Vertragswerkstatt ermitteln. Außerdem ist eine Liste der Vertragswerkstätten und aller Kundendienststellen von Black & Decker sowie der zuständigen Ansprechpartner im Internet zu finden unter: **www.2helpU.com**.

GARANTIE

Black & Decker vertraut auf die Qualität der eigenen Geräte und bietet dem Käufer eine außergewöhnliche Garantie. Diese Garantiezusage versteht sich unbeschadet der gesetzlichen Gewährleistungsansprüche und schränkt diese keinesfalls ein. Sie gilt in sämtlichen Mitgliedsstaaten der Europäischen Union und der Europäischen Freihandelszone EFTA.

Tritt innerhalb von 24 Monaten ab Kaufdatum an einem Gerät von Black & Decker ein auf Material- oder Verarbeitungsfehler zurückzuführender Mangel auf, garantiert Black & Decker den Austausch defekter Teile, die Reparatur von Geräten mit üblichem Verschleiß bzw. den Austausch eines mangelhaften Geräts, ohne den Kunden dabei mehr als unbedingt nötig in Anspruch zu nehmen, allerdings vorbehaltlich folgender Ausnahmen:

- ◆ wenn das Gerät gewerblich, beruflich oder im Verleihgeschäft benutzt wurde;
- ◆ wenn das Gerät mißbräuchlich verwendet oder mit mangelnder Sorgfalt behandelt wurde;
- ◆ wenn das Gerät durch irgendwelche Fremdeinwirkung beschädigt wurde;
- ◆ wenn ein unbefugter Reparaturversuch durch anderes Personal als das einer Vertragswerkstatt oder des Black & Decker-Kundendienstes unternommen wurde.

Zur Inanspruchnahme dieser Garantie ist dem Verkäufer bzw. der Vertragswerkstatt ein Kaufnachweis vorzulegen. Die Adresse des zuständigen Büros von Black & Decker steht in dieser Anleitung, darüber läßt sich die nächstgelegene Vertragswerkstatt ermitteln. Außerdem ist eine Liste der Vertragswerkstätten und aller Kundendienststellen von Black & Decker sowie der zuständigen Ansprechpartner im Internet zu finden unter: **www.2helpU.com**.

WEITERE GARTENGERÄTE

Black & Decker bietet ein großes Sortiment an Gartengeräten an, die die Gartenarbeit erheblich erleichtern. Für nähere Informationen zu den folgenden Geräten wenden Sie sich bitte an den Black & Decker Kundendienst (Adresse hinten in dieser Anleitung) oder an Ihren Händler.

Rasentrimmer	Kettensägen
Akku-Strauchscheren	Akku-Grasscheren
Heckenscheren	Rasenmäher
Rasenlüfter	Laubsauger
Häcksler	

Nicht alle Produkte sind in allen Ländern erhältlich.

COUPE BORDURES GL20

FELICITATIONS !

Vous avez choisi un outil Black & Decker. Notre but est de fournir des outils de qualité au meilleur prix. Nous espérons que vous profiterez de cet outil pendant de longues années.

DECLARATION DE CONFORMITE CE



GL20

Black & Decker déclare que ces outils sont conformes aux normes: 98/37/CEE, 89/336/CEE, 73/23/CEE, EN 60335, EN 55014, EN 61000, 2000/14/CEE, coupe bordures, L 50 cm

Annex VIII, No. 00086

B.S.I., HP2 4SQ, Royaume Uni

Niveau de pression acoustique, mesuré suivant la norme 2000/14/EC:

	GL20
L_{pA} (pression acoustique) dB(A)	81
L_{WA} (puissance acoustique) dB(A)	94
L_{WA} (garanti) dB(A)	96



Prendre les mesures nécessaires pour la protection de l'ouïe lorsque le niveau de pression acoustique est supérieur à 85 dB(A).

Niveau de vibration main/bras selon la norme 98/37/CEE:

GL20
< 2,5 m/s ²

Brian Cooke

Directeur du Développement

Spennymoor, County Durham DL16 6JG,

Royaume-Uni

1-12-2001

UTILISATION PREVUE

Votre coupe bordures Black & Decker a été conçu pour tailler et arranger les coins de pelouse et pour couper l'herbe dans des espaces réduits. Cet outil a été conçu pour une utilisation exclusivement domestique.

INSTRUCTIONS DE SECURITE

Symboles de prévention

Les symboles suivants sont utilisés dans le présent manuel:



Indique qu'en cas de non-respect des instructions du présent manuel, il y a risque de blessure, danger de mort ou risque de dégradation de l'outil.



Indique le risque de décharge électrique.



Lire le manuel avant d'utiliser l'outil.

Connaissez votre outil



- ◆ **Attention!** Lors de l'utilisation d'outils électriques, observez les consignes de sécurité fondamentales, y compris celles qui suivent afin de réduire les risques d'incendie, de décharges électriques et de blessures.
- ◆ Lisez et observez attentivement les instructions avant d'utiliser l'outil.
- ◆ Avant d'utiliser l'outil, assurez-vous de savoir comment le mettre à l'arrêt en cas d'urgence.
- ◆ Le domaine d'utilisation de l'outil est décrit dans le présent manuel. Utilisez l'outil conformément à sa destination, afin d'éviter tout risque de blessure due à toute autre utilisation de l'outil.
- ◆ Conservez ces instructions.

Aire de travail

- ◆ N'exposez pas l'outil à la pluie. N'exposez pas l'outil à l'humidité.
- ◆ N'utilisez l'outil qu'à la lumière du jour ou sous un éclairage artificiel suffisant.

Protection

- ◆ Portez des chaussures ou des bottes renforcées pour vous protéger les pieds. N'utilisez pas l'outil pied nus ou en ne portant que des sandales.
- ◆ Portez un pantalon long pour vous protéger les jambes.

Utilisation de votre outil

- ◆ Assurez-vous que l'outil est en position d'arrêt avant de le brancher.
- ◆ Faites preuve de vigilance. Observez votre travail. Faites preuve de bon sens.
- ◆ Ne pas employer l'outil en cas de fatigue.
- ◆ Si l'outil commence à vibrer de manière anormale, éteignez-le et débranchez-le. Attendez que les pièces tournantes s'arrêtent et regardez si l'outil est endommagé ou si des pièces sont mal fixées.
- ◆ Ne tirez jamais sur le câble pour débrancher. Préservez le câble de la chaleur, de l'huile et des arêtes tranchantes.
- ◆ Si le câble est endommagé pendant l'utilisation de l'outil, éteignez-le et débranchez-le immédiatement. **Ne touchez pas le câble avant d'avoir débranché l'outil.**

Sécurité des tiers personnes

- ◆ Ne laissez jamais aucun enfant ou aucune personne non familiarisée avec ces instructions utiliser cet outil.
- ◆ Ne laissez pas les enfants, les visiteurs ou les animaux s'approcher de l'aire de travail ou toucher l'outil ou le câble d'alimentation.
- ◆ Souvenez-vous que l'utilisateur peut être tenu responsable de tout accident ou dommage subi par des tiers ou par des biens appartenant à des tiers.

Après utilisation

- ◆ Éteignez l'outil, débranchez-le et assurez-vous que les pièces rotatives ont cessé de tourner avant d'abandonner l'outil, ou avant de changer, de nettoyer ou d'inspecter une partie de l'outil.
- ◆ Rangez l'outil dans un endroit sec. Ne laissez pas les enfants s'approcher des outils, même quand ils sont rangés.

Vérification et réparations

- ◆ Avant d'utiliser l'outil, vérifiez qu'il n'est pas endommagé et qu'il n'y a pas de pièces défectueuses. Vérifiez l'alignement des pièces en mouvement, leur prise et toute rupture de pièces, tout dommage des protections et des interrupteurs et toute autre condition pouvant affecter le fonctionnement de l'outil.
- ◆ N'utilisez pas l'outil si une pièce est défectueuse. Ne pas utiliser l'outil si l'interrupteur marche/arrêt ne fonctionne pas.
- ◆ N'utilisez jamais l'outil si un carter ou un couvercle est endommagé ou n'est pas en place.
- ◆ Veillez à ce que l'outil fonctionne correctement et qu'il exécute les tâches pour lesquelles il est prévu.
- ◆ Faites réparer ou échangez toute pièce endommagée par un service de réparation agréé.
- ◆ Avant d'utiliser l'outil, vérifiez que le câble secteur n'est pas endommagé ni usé.
- ◆ N'utilisez pas l'outil si le câble est en mauvais état.
- ◆ Si le câble d'alimentation est endommagé, il doit être remplacé par un réparateur agréé pour éviter tout accident.
- ◆ N'essayez jamais d'enlever ou de changer des pièces autres que celles qui sont spécifiées dans ce manuel.

Instructions de sécurité supplémentaires pour les coupe bordures

Les symboles de prévention suivant se trouvent sur l'outil :



Porter des lunettes de sécurité lorsque vous utilisez cet outil.



Le fil de coupe continuera de fonctionner pendant quelques secondes après l'arrêt de l'outil. Ne tentez jamais de forcer sur le fil pour qu'il s'arrête.



Les personnes et les animaux doivent se tenir à une distance d'au moins 6 m de la zone de coupe.



N'exposez pas l'outil à la pluie ou à l'humidité.



Eteignez l'outil, débranchez-le et assurez-vous que les pièces rotatives ont cessé de tourner avant de laisser l'outil sans surveillance, ou avant de changer, de nettoyer ou d'inspecter une partie de l'outil.

- ◆ Avant d'utiliser l'outil, vérifiez qu'aucun bâton, fil de fer, pierre ou tout autre obstacle n'obstrue la zone de coupe.
- ◆ Utilisez l'outil seulement en position correcte, en tenant le fil de coupe près du sol, comme l'indiquent les illustrations. N'allumez jamais l'outil dans une autre position.
- ◆ N'allumez l'outil que lorsque vos mains et vos pieds sont éloignés du fil de coupe.
- ◆ Ne touchez jamais le fil de coupe lorsque l'outil fonctionne.
- ◆ Ne travaillez pas sur un sol très pentu. Toujours tenir les deux pieds à terre et garder l'équilibre. Faites attention car l'herbe fraîchement coupée est humide et glissante.
- ◆ Prenez des précautions lorsque vous travaillez près de bordures, ou de chemins ou routes en graviers, car le fil de coupe peut provoquer des projections.
- ◆ Ne posez pas l'outil avant que le fil de coupe ne se soit complètement arrêté.
- ◆ Utilisez uniquement le bon type de fil de coupe Black & Decker. N'utilisez jamais de fil de coupe en métal ou de fil de pêche.
- ◆ Après avoir tiré sur le fil de coupe, remettez toujours l'outil en position normale avant de l'allumer.

- ◆ Veillez à ne pas laisser le câble à proximité du fil de coupe. Surveillez toujours la position du câble.

SECURITE ELECTRIQUE

L'outil a été conçu pour une seule tension. Vérifiez si la tension secteur correspond à la tension indiquée sur la plaque d'identification.



L'outil est conçu pour être utilisé avec une alimentation secteur AC (courant alternatif) uniquement. N'essayez pas d'utiliser l'outil avec un autre type d'alimentation.



Cet outil à double isolation est conforme à la norme EN 60335; un branchement à la terre n'est donc pas nécessaire.

- (CH) Toujours utiliser la fiche prescrite lors du remplacement du câble d'alimentation. Type 11 pour la classe II - double isolation

- ◆ Evitez de toucher des surfaces reliées à la terre (p.e. grillages métalliques, lampadaires, etc.)
- ◆ Utilisez un interrupteur de protection contre les courants de court-circuits à haute sensibilité (30 mA/30 mS) pour améliorer la sécurité électrique.

Câbles de rallonge

Utilisez toujours une rallonge adaptée à la puissance d'alimentation de cet outil (voir plaque d'identification). Le câble de rallonge doit être adapté pour le travail en extérieur.

- ◆ Avant d'utiliser l'outil, vérifiez que le câble n'est pas endommagé ni usé. Changez le câble de rallonge s'il est endommagé.
- ◆ En cas d'utilisation d'un dévidoir, déroulez toujours le câble complètement.
- ◆ Veillez à ne pas laisser le câble à proximité du fil de coupe. Surveillez toujours la position du câble.

CONTENU DE LA BOITE

La boîte contient :

- 1 Coupe bordures
- 1 Carter protecteur avec vis de fixation

- 1 Pack de morceaux de fil de coupe.
 - 1 Manuel d'instructions
- ◆ Déballez soigneusement toutes les pièces.

APERÇU (fig. A)

1. Interrupteur marche/arrêt
2. Poignée
3. Entrée électrique
4. Carter protecteur
5. Bloque-fil
6. Fil de coupe

ASSEMBLAGE



Avant l'assemblage, assurez-vous que l'outil est éteint et débranché.

Mise en place du carter protecteur (fig. B)

- ◆ Débranchez l'outil
- ◆ Retirez la vis (7) du carter protecteur (4).
- ◆ Placez le carter protecteur (4) sur l'outil selon le schéma.
- ◆ Appuyez fermement sur le carter jusqu'à ce qu'il se mette en place avec un clic sec.
- ◆ Fixez le carter protecteur avec la vis (7).



N'utilisez jamais l'outil si le carter protecteur n'est pas correctement installé.

Installation d'un nouveau morceau de fil de coupe (fig. C & D)

Les packs de recharge avec des morceaux de fil de coupe pré-découpés sont disponibles auprès de votre revendeur Black & Decker (n° catalogue A5995). Vous pouvez aussi vous procurer un pack de 25 ou 40 m de fil de coupe (A6170/A6171) et découper le fil en morceaux de 177 mm chacun. L'outil comporte un compartiment de stockage (9) des morceaux de ligne de coupe (fig. C).

- ◆ Débranchez l'outil
- ◆ Retirez le fil de coupe restant du bloque-fil.
- ◆ Enlevez toute trace de saleté ou d'herbe du bloque-fil.

1. Insérez un des extrémités d'un nouveau morceau de fil de coupe dans le trou (10).
 2. Faites glisser le fil sous le clip de blocage (11) et tirez-le jusqu'à ce qu'il se mette en place.
 3. Faites glisser le fil dans les deux encoches (12) comme indiqué et passez-le dans l'orifice de sortie (13).
- ◆ Assurez-vous que le fil est bien installé correctement.



N'utilisez que du fil de coupe Black & Decker de 1,5 mm de diamètre.

Branchement de l'outil au secteur (fig A & C)

- ◆ Branchez la prise femelle d'un fil de rallonge adapté à l'entrée d'alimentation électrique (3).
- ◆ Entourez le câble dans bloque-câble (8) comme l'indique l'illustration pour empêcher le fil de se détacher pendant l'utilisation.
- ◆ Branchez la prise mâle du câble au secteur.



Le câble de rallonge doit être adapté pour le travail en extérieur.

UTILISATION



Laissez l'outil fonctionner à sa propre vitesse. Ne le surchargez pas.

Démarrage et arrêt (fig. A)

- ◆ Pour allumer l'outil, appuyez sur l'interrupteur marche/arrêt (1).
- ◆ Pour éteindre l'outil, relâchez l'interrupteur marche/arrêt.



N'essayez jamais de bloquer l'interrupteur en position marche.

Conseils pour une utilisation optimale

- ◆ Tenez l'outil comme indiqué sur la fig. E.
- ◆ Déplacez lentement le coupe bordures d'un côté à l'autre comme indiqué sur la fig. E.
- ◆ Lorsque vous coupez des hautes herbes, travaillez par étapes en commençant par le haut.
- ◆ Veillez à ne pas approcher l'outil des objets durs et des plantes délicates.

- ◆ Si l'outil commence à fonctionner lentement, réduisez la charge.
- ◆ Pour des résultats de coupe optimaux, ne coupez que de l'herbe sèche.
- ◆ Remplacez le fil de coupe lorsqu'il est usé.

ENTRETIEN

Votre outil Black & Decker a été conçu pour fonctionner durablement avec un minimum d'entretien. Un fonctionnement continu satisfaisant dépend d'un nettoyage régulier et d'un entretien de l'outil approprié.



Avant d'effectuer tout entretien, éteignez et débranchez l'outil.

- ◆ Nettoyez régulièrement les orifices de ventilation de votre outil à l'aide d'une brosse douce ou d'un chiffon sec.
- ◆ Nettoyez régulièrement le fil de coupe et le bloque-fil à l'aide d'une brosse douce ou d'un chiffon sec.
- ◆ Utilisez régulièrement un grattoir pour enlever toutes les saletés et l'herbe accumulées sous le carter protecteur.
- ◆ Vérifiez régulièrement l'usure du fil de coupe.



N'utilisez pas de produit abrasif ou à base de solvant.

DEPANNAGE

Si votre outil ne semble pas fonctionner correctement, suivez les instructions ci-dessous. Si elles ne vous sont d'aucune aide pour résoudre le problème, contactez votre service de réparation local Black & Decker.



Avant de commencer, débranchez l'outil.

L'outil ne démarre pas.

- ◆ Assurez-vous que tous les câbles électriques sont bien branchés.
- ◆ Vérifiez les fusibles du secteur.

L'outil vibre trop.

- ◆ Nettoyez soigneusement le bloque-fil.

- ◆ Assurez-vous que le bloque-fil est bien solidement attaché et qu'il n'est pas abîmé. Réparez-le ou remplacez-le au besoin.
- ◆ Vérifiez que le fil de coupe est bien installé et attaché.
- ◆ Assurez-vous que le fil de coupe n'est pas abîmé. Remplacez-le au besoin.

PROTECTION DE L'ENVIRONNEMENT



Black & Decker fournit un dispositif permettant de recycler les produits Black & Decker lorsqu'ils ont atteint la fin de leur cycle de vie. Ce service est gratuit. Pour pouvoir profiter de ce service, veuillez retourner votre produit à un réparateur agréé qui se chargera de le collecter pour nous.

Pour connaître l'adresse du réparateur agréé le plus proche de chez vous, contactez le bureau Black & Decker à l'adresse indiquée dans ce manuel. Vous pourrez aussi trouver une liste des réparateurs agréés de Black & Decker et de plus amples détails sur notre service après-vente sur le site Internet à l'adresse suivante :

www.2helpU.com

GARANTIE

Black & Decker est confiant dans la qualité de ses produits et vous offre une garantie très étendue. Ce certificat de garantie est un document supplémentaire et ne peut en aucun cas se substituer à vos droits légaux. La garantie est valable sur tout le territoire des Etats Membres de l'Union Européenne et de la Zone de Libre Echange Européenne.

Si un produit Black & Decker s'avère défectueux en raison de matériaux en mauvaises conditions, d'une erreur humaine, ou d'un manque de conformité dans les 24 mois suivant la date d'achat, Black & Decker garantit le remplacement des pièces défectueuses, la réparation des produits usés ou cassés ou remplace ces produits à la convenance du client, sauf dans les circonstances suivantes :

- ◆ Le produit a été utilisé dans un but commercial, professionnel, ou a été loué.
- ◆ Le produit a été mal utilisé ou avec négligence.
- ◆ Le produit a subi des dommages à cause d'objets étrangers, de substances ou à cause d'accidents.
- ◆ Des réparations ont été tentées par des techniciens ne faisant pas partie du service technique de Black & Decker.

Pour avoir recours à la garantie, il est nécessaire de fournir une preuve d'achat au vendeur ou à un réparateur agréé. Pour connaître l'adresse du réparateur agréé le plus proche de chez vous, contactez le bureau Black & Decker à l'adresse indiquée dans ce manuel. Vous pourrez aussi trouver une liste des réparateurs agréés de Black & Decker et de plus amples détails sur notre service après-vente sur le site Internet à l'adresse suivante : **www.2helpU.com**.

AUTRES OUTILS DE JARDINAGE

Black & Decker propose une gamme entière d'outils de jardinage facilitant l'entretien du jardin. Si vous souhaitez obtenir de plus amples renseignements sur les produits suivants, veuillez contacter notre Centre de Service et d'Information (voir la page d'adresse à la fin de ce manuel) ou vous adresser à votre revendeur Black & Decker local.

Tronçonneuses

Cisaille à gazon sans fil

Coupe bordures

Taille-haies à fil ou sans fil

Tondeuses

Aspirateur / souffleur / broyeur

Broyeurs

Aérateur Démousseur

Tous les produits ne sont pas disponibles dans tous les pays.

TOSAERBA GL20

CONGRATULAZIONI!

Lei ha scelto un utensile Black & Decker. Il nostro obiettivo è fornire utensili di qualità ad un prezzo contenuto. Desideriamo che questo utensile sia di suo gradimento e lo possa usare per molti anni.

DICHIARAZIONE CE DI CONFORMITÀ



GL20

Black & Decker dichiara che questi utensili sono stati costruiti in conformità a: 98/37/CEE, 89/336/CEE, 73/23/CEE, EN 60335, EN 55014, EN 61000, 2000/14/CEE, tosatore, L 50 cm

Annex VIII, No. 00086

B.S.I., HP2 4SQ, Regno Unito

Livello di rumorosità, dati ricavati in base alla norma 2000/14/EC:

		GL20
L_{PA}	(rumorosità) dB(A)	81
L_{WA}	(potenza sonora) dB(A)	94
L_{WA}	(garantito) dB(A)	96



Prendere appropriate misure a protezione dell'udito qualora il livello acustico superasse gli 85 dB(A).

Il valore medio quadratico ponderato dell'accelerazione secondo 98/37/CEE:

GL20
< 2,5 m/s ²

Brian Cooke

Direttore di Ricerca e Sviluppo
Spennymoor, County Durham DL16 6JG,
United Kingdom
1-12-2001

USO PROGETTATO

Il vostro tosaerba Black & Decker è stato progettato per tosare i cigli dei prati oltre che per tagliare erba in spazi ridotti.

L'utensile è stato progettato per un uso individuale.

ISTRUZIONI DI SICUREZZA

Simboli di sicurezza

I seguenti simboli vengono usati nel presente manuale:



Indica rischio di infortunio, pericolo di morte o danno all'apparecchio qualora non ci si attenga alle istruzioni contenute nel presente manuale.



Indica pericolo di scossa elettrica.



Leggere attentamente il manuale prima di utilizzare l'utensile.

Conoscere l'utensile



- ◆ **Attenzione!** Quando si impiegano utensili alimentati elettricamente, per ridurre il rischio di incendio, di scosse elettriche e danni a persone è necessario seguire sempre delle precauzioni di sicurezza basilari, incluso le seguenti:
 - ◆ Prima di adoperare l'utensile, leggere attentamente le istruzioni di cui al presente manuale.
 - ◆ Prima di far funzionare l'utensile, assicuratevi di conoscere come spegnere l'utensile in caso di emergenza.
 - ◆ L'utilizzo previsto è quello indicato nel presente manuale. L'uso di accessori o attrezzature diversi o l'impiego del presente utensile per scopi diversi da quelli indicati nel presente manuale d'uso comportano il rischio di infortuni.

- ◆ Conservare queste istruzioni per utilizzarle in futuro.

Area di lavoro

- ◆ Non lasciare l'utensile sotto la pioggia. Non usare l'utensile in ambienti carichi di umidità.
- ◆ Usare l'utensile solo alla luce naturale oppure con una buona illuminazione artificiale.

Protezione personale

- ◆ Indossate scarpe robuste o scarponi per proteggervi i piedi. Non azionare l'utensile se si indossano sandali aperti o a piedi scalzi.
- ◆ Indossate pantaloni a gamba lunga per proteggervi le gambe.

Uso dell'utensile

- ◆ Prima di collegare l'utensile alla presa, verificare che sia spento.
- ◆ Stare sempre attenti. Prestare attenzione a quanto si sta facendo. Usare il proprio buon senso.
- ◆ Non utilizzare l'utensile quando si è stanchi.
- ◆ Se l'utensile inizia a vibrare in modo anomalo, spegnerlo ed estrarre la spina dalla presa. Attendere che le parti rotanti si fermino e ispezionarlo per rilevare eventuali danni o parti cedevoli.
- ◆ Non tirare mai il cavo per estrarlo dalla presa. Mantenete il cavo lontano da fonti di calore, olio e spigoli taglienti.
- ◆ Se il cavo di alimentazione è stato danneggiato durante l'uso, spegnere l'utensile ed estrarre immediatamente la presa dalla rete di alimentazione. **Non toccare il cavo di alimentazione prima di scollegarlo dall'alimentatore.**

Sicurezza altrui

- ◆ L'uso dell'utensile è vietato a bambini, adulti che non abbiano letto il presente manuale d'istruzioni e a tutti coloro che non abbiano familiarità con l'attrezzo.
- ◆ Non permettere a bambini, altre persone o animali di avvicinarsi alla zona di lavoro, toccare l'utensile o il cavo di alimentazione.
- ◆ Ricordare che l'operatore è responsabile dell'esposizione di altre persone o della loro proprietà a eventuali pericoli o incidenti.

Dopo l'uso

- ◆ Spegnerne l'utensile, estrarre la spina dalla presa e verificare che le parti mobili si siano bloccate prima di lasciare l'utensile incustodito e prima di sostituire, pulire o ispezionare qualsiasi componente.
- ◆ Quando non è in funzione, l'utensile deve essere immagazzinato in un luogo asciutto e non accessibile ai bambini.

Ispezione e riparazioni

- ◆ Prima dell'uso, verificare se vi sono componenti danneggiati o difettosi. Controllate se ci sono parti non allineate o parti mobili con gioco, pezzi rotti, danni alle protezioni o agli interruttori e qualsiasi altra condizione che possa ripercuotere nel funzionamento dell'utensile.
- ◆ Non usate l'utensile se presente elementi danneggiati o difettosi. Non impiegare l'utensile se non è possibile accenderlo e spegnerlo mediante l'interruttore.
- ◆ Non usare mai l'utensile se una protezione o copertura è danneggiata o mancante.
- ◆ Accertare che l'utensile funzioni come previsto e che venga impiegato per lo scopo per cui è stato progettato.
- ◆ Eventuali componenti difettosi o danneggiati vanno sostituiti o riparati da un tecnico autorizzato.
- ◆ Prima dell'uso, controllare il cavo di alimentazione per rilevare eventuali segni di danni, invecchiamento e usura.
- ◆ Non usare l'utensile se il cavo di alimentazione è danneggiato o difettoso.
- ◆ Se il cavo di alimentazione è danneggiato, per evitare situazioni pericolose è necessario affidarne la sostituzione a un tecnico autorizzato.
- ◆ Non tentare mai di smontare componenti diversi da quelli indicati nel presente manuale.

Istruzioni aggiuntive di sicurezza per il tosaerba

I seguenti simboli di avvertenza si trovano sull'utensile:



Indossate sempre occhiali di protezione quando fate funzionare questo utensile.



Il filo di taglio continuerà a girare per alcuni secondi dopo aver spento l'utensile. Non cercate mai di forzare il fermo del filo.



Non fate avvicinare persone o animali a meno di 6 m. dall'area di taglio.



Non esponete l'utensile alla pioggia od a condizioni di alta umidità.



Spegnere l'utensile, estrarre la spina dalla presa e verificare che le parti mobili si siano bloccate prima di lasciare l'utensile incustodito e prima di sostituire, pulire o ispezionare qualsiasi componente.

- ◆ Prima di usare l'utensile, verificate che il percorso da tosare sia libero da asticelle, pietre, cavi e qualsiasi altro ostacolo.
- ◆ Adoperare l'utensile soltanto nella posizione corretta, con il filo di taglio vicino al suolo, come mostrano le illustrazioni. Non avviare mai l'utensile in nessun'altra posizione.
- ◆ Accendere l'utensile solo quando mani e piedi sono lontani dal filo di taglio.
- ◆ Non toccare mai il filo di taglio mentre l'utensile è in funzione.
- ◆ Non lavorate su pendenze ripide. Fare attenzione ai piedi. Abbiate sempre presente che l'erba appena tagliata è umida e sdruciolevole.
- ◆ Fare attenzione quando si taglia l'erba in prossimità di bordi e strade o percorsi di ghiaietto in quanto il filo di taglio può sollevare pietre e terra.
- ◆ Non poggiare l'utensile a terra fino a che il filo di taglio non si sia completamente fermato.
- ◆ Impiegare unicamente filo di tipo corretto, della Black & Decker. Non impiegate fili di taglio metallici o fili di pesca.
- ◆ Dopo avere esteso il nuovo filo di taglio, riportare sempre l'utensile nella posizione operativa normale prima di accenderlo.
- ◆ Attenzione a tenere il cavo dell'alimentazione lontano dal filo di taglio. Tenere sempre sotto controllo la posizione del cavo.

SICUREZZA ELETTRICA

L'utensile è predisposto per essere alimentato con una specifica tensione. Controllare sempre che la tensione di alimentazione corrisponda a quella indicata sulla targhetta.



Questo utensile è predisposto esclusivamente per l'alimentazione (di rete) CA. Non tentare di usarlo con alimentazioni diverse.



L'utensile è fornito di doppio isolamento, in ottemperanza alla norma EN 60335, per la quale non è richiesta la messa a terra.



Per la sostituzione del cavo di alimentazione, utilizzate sempre la spina di tipo prescritto. Tipo 11 per la classe II - doppio isolamento

- ◆ Evitare il contatto con le superfici messe a terra (ad esempio guide metalliche, steli di lampade ecc.).
- ◆ La sicurezza elettrica può essere ulteriormente ampliata utilizzando un dispositivo a corrente residua (RCD) ad alta sensibilità (30 mA/30 mS).

Impiego di una prolunga

Adoperare sempre una prolunga di tipo omologato, adeguata alla potenza assorbita dell'utensile (v. targhetta). La prolunga deve essere idonea per l'uso in esterno.

- ◆ Prima dell'uso, controllare il cavo per rilevare eventuali segni di danni, invecchiamento e usura. Una prolunga danneggiata o difettosa va sempre sostituita.
- ◆ Se si utilizza un avvolgitore, estrarre il cavo per l'intera lunghezza.
- ◆ Attenzione a tenere il cavo dell'alimentazione lontano dal filo di taglio. Tenere sempre sotto controllo la posizione del cavo.

CONTENUTO DELLA SCATOLA

La scatola contiene:

- 1 Tosaerba
- 1 Protezione con vite di montaggio
- 1 Confezione con pezzi di filo
- 1 Libretto d'istruzioni

- ◆ Disimballate con cura tutte le parti.

L'INSIEME (fig. A)

1. Interruttore acceso/spento
2. Impugnatura
3. Ingresso alimentazione
4. Protezione
5. Fermo filo
6. Filo di taglio

MONTAGGIO



Prima di montarlo assicuratevi che l'utensile sia spento e desinserito.

Installazione della protezione (fig. B)

- ◆ Estrarre la spina dalla presa di corrente.
- ◆ Estrarre la vite (7) dalla protezione (4).
- ◆ Collocare la protezione (4) sull'utensile, come illustrato.
- ◆ Premere con decisione la protezione fino a farla scattare in posizione.
- ◆ Bloccare la protezione con la vite (7).



Non usare mai l'utensile se la protezione non è inserita correttamente.

Montaggio di un nuovo filo di taglio (fig. C & D)

Le confezioni di ricambio con pezzi di filo di taglio pre-tagliati sono disponibili presso il concessionario Black & Decker (no. cat. A5995). In alternativa, si può acquistare una confezione da 25 o da 40 m di filo di taglio (A6170/16171) e tagliarlo in pezzi da 177 mm ciascuno. L'utensile è dotato di uno scomparto (9) per conservare il filo di taglio (fig. C).

- ◆ Estrarre la spina dalla presa di corrente.
 - ◆ Rimuovere dal fermo eventuali residui di filo di taglio.
 - ◆ Togliete ogni traccia di sporcizia e di erba dal fermo.
1. Inserire l'estremità di un nuovo pezzo di filo di taglio nel foro (10).
 2. Guidare il filo sotto il fermo (11) e tirarlo fino a che non si inserisce a scatto.
 3. Guidare il filo nelle due fessure (12), come illustrato, e farlo passare attraverso il foro di uscita (13).
- ◆ Assicurarsi che il filo sia inserito correttamente.



Usare solo filo di taglio Black & Decker da 1,5 mm di diametro.

Collegamento dell'utensile all'alimentazione principale (fig. A & C)

- ◆ Collegare all'ingresso dell'alimentazione (3) la femmina di una prolunga adatta allo scopo.
- ◆ Avvolgere il cavo intorno al fermo (8) come indicato nella figura, per evitare che la prolunga si stacchi durante l'uso.
- ◆ Inserire la spina dell'alimentazione principale in una presa di alimentazione principale.



La prolunga deve essere idonea per l'uso in esterno.

IMPIEGO



Lasciate che l'utensile lavori al proprio ritmo. Non sovraccaricarlo.

Avviamento e spegnimento (fig. A)

- ◆ Per accendere l'utensile, premere l'interruttore di accensione/spegnimento (1).
- ◆ Per spegnere l'utensile, premere di nuovo l'interruttore di accensione/spegnimento.



Non cercare di bloccare un interruttore in posizione di accensione.

Consigli per un'ottima utilizzazione

- ◆ Sostenere l'utensile come illustrato nella fig. E.
- ◆ Spostare con delicatezza la tosatrice, da un lato all'altro, come illustrato nella fig. E.
- ◆ Quando si tosa erba alta, procedere per gradi, partendo dalla cima.
- ◆ Tenere l'utensile lontano da oggetti duri e piante delicate.
- ◆ Se la velocità dell'utensile diminuisce, ridurre il carico.
- ◆ Per ottenere un taglio ottimale, tosare soltanto l'erba secca.
- ◆ Sostituire il filo di taglio quando si usura.

MANUTENZIONE

Il vostro utensile Black & Decker é stato progettato per funzionare durante un lungo periodo di tempo con un minimo di manutenzione. Il funzionamento continuo e soddisfacente dipende dall'adeguata cura dell'utensile e da pulizie sistematiche.



Prima di eseguire qualsiasi manutenzione, spengete l'utensile e disinseritelo dalla spina.

- ◆ Le fessure di ventilazione dell'utensile vanno pulite regolarmente con un pennello soffice o un panno asciutto.
- ◆ Pulire regolarmente il filo di taglio e la bobina con una spazzola soffice o con un panno asciutto.
- ◆ Usare regolarmente un raschietto senza punta per togliere l'erba e la sporcizia dalla superficie inferiore della protezione.
- ◆ Controllare regolarmente lo stato di usura del filo di taglio.



Non usare materiali abrasivi o detergenti a base di solventi.

SOLUZIONI AI PROBLEMI DI FUNZIONAMENTO

Se l'utensile non sembra funzionare correttamente, procedere come segue. Se il problema persiste, contattare il servizio di assistenza tecnica della Black & Decker.



Prima di procedere, estrarre la spina dalla presa di alimentazione.

L'utensile non si mette in moto

- ◆ Controllare che i cavi di alimentazione siano collegati correttamente.
- ◆ Controllare i fusibili principali.

L'utensile vibra molto

- ◆ Pulire accuratamente il fermo del filo.
- ◆ Controllare che il fermo del filo sia ben fissato e che non sia danneggiato. Ripararlo o sostituirlo se necessario.

- ◆ Controllare che vi sia il filo di taglio e che sia montato correttamente.
- ◆ Controllare che il filo di taglio non sia danneggiato. Sostituirlo se necessario.

PROTEZIONE DELL'AMBIENTE



Black & Decker offre ai suoi clienti la possibilità di riciclare i prodotti Black & Decker che hanno esaurito la loro vita di servizio. Il servizio viene offerto gratuitamente. Per utilizzarlo, è sufficiente restituire il prodotto a qualsiasi tecnico autorizzato, incaricato della raccolta per conto dell'azienda.

Per individuare il tecnico autorizzato più vicino, rivolgersi alla sede Black & Decker locale, presso il recapito indicato nel presente manuale.

Altrimenti un elenco completo di tutti i tecnici autorizzati Black & Decker e i dettagli completi sui contatti e i servizi post-vendita sono disponibili su Internet presso: **www.2helpU.com**.

GARANZIA

Certa della qualità dei suoi prodotti, Black & Decker offre una garanzia eccezionale. Il presente certificato di garanzia è complementare ai diritti statutari e non li pregiudica in alcun modo. La garanzia è valida entro il territorio degli Stati membri dell'Unione Europea e dell'EFTA (European Free Trade Area).

Se un prodotto Black & Decker risulta difettoso per qualità del materiale, della costruzione o per mancata conformità entro 24 mesi dalla data di acquisto, Black & Decker garantisce la sostituzione delle parti difettose, provvede alla riparazione dei prodotti se ragionevolmente usurati oppure alla loro sostituzione, in modo da ridurre al minimo il disagio del cliente a meno che:

- ◆ Il prodotto non sia stato destinato ad usi commerciali, professionali o al noleggio;
- ◆ Il prodotto non sia stato usato in modo improprio o scorretto;
- ◆ Il prodotto non abbia subito danni causati da oggetti o sostanze estranee oppure incidenti;

- ◆ Il prodotto non abbia subito tentativi di riparazione non effettuati da tecnici autorizzati né dall'assistenza Black & Decker.

Per attivare la garanzia è necessario esibire la prova comprovante l'acquisto al venditore o al tecnico autorizzato. Per individuare il tecnico autorizzato più vicino, rivolgersi alla sede Black & Decker locale, presso il recapito indicato nel presente manuale. Altrimenti un elenco completo di tutti i tecnici autorizzati Black & Decker e i dettagli completi sui contatti e i servizi post-vendita sono disponibili su Internet presso: **www.2helpU.com**.

ALTRI UTENSILI DI GIARDINAGGIO

La Black & Decker ha una gamma completa di utensili per il giardinaggio che rende semplice la vita in giardino. Se desiderate ulteriori informazioni sui seguenti prodotti, vi preghiamo di contattare il nostro Centro D'Informazione e Manutenzione (vedere la pagina degli indirizzi alla fine di questo libretto d'istruzioni) od il vostro rivenditore Black & Decker

Tosatori a lame o a catena

Motoseghe Scope elettriche

Tosasiepi a batteria Tagliasiepi a batteria

Tosasiepi Tosaerba

Rastrelli Sramatori

Biotrituratori

Non tutti i prodotti sono disponibili in tutti i paesi.

GRASSTRIMMER GL20

GEFELICITEERD!

U heeft gekozen voor een machine van Black & Decker. Ons doel is om kwaliteitsproducten te leveren tegen een betaalbare prijs. Wij hopen dat u aan het gebruik van deze machine jarenlang plezier zult beleven.

EG-VERKLARING VAN OVEREENSTEMMING



GL20
Black & Decker verklaart dat deze elektrische machines in overeenstemming zijn met: 98/37/EEG, 89/336/EEG, 73/23/EEG, EN 60335, EN 55014, EN 61000, 2000/14/EEG, grastrimmer, L 50 cm

Annex VIII, No. 00086
B.S.I., HP2 4SQ, United Kingdom

Niveau van de geluidsdruk, gemeten volgens 2000/14/EC:

		GL20
L_{pA}	(geluidsdruk) dB(A)	81
L_{WA}	(geluidsvermogen) dB(A)	94
L_{WA}	(gegarandeerd) dB(A)	96



Neem de vereiste maatregelen voor gehoorbescherming wanneer de geluidsdruk het niveau van 85 dB(A) overschrijdt.

Gewogen kwadratische gemiddelde waarde van de versnelling overeenkomstig 98/37/EEG:

		GL20
		< 2,5 m/s ²

Brian Cooke, Director of Engineering
Spennymoor, County Durham DL16 6JG,
United Kingdom
1-12-2001

GEBRUIK VOLGENS BESTEMMING

Uw Black & Decker strimmer is ontworpen voor het strimmen van graskanten alsmede voor het strimmen van gras in besloten ruimtes. Deze machine is uitsluitend bedoeld voor consumentengebruik.

VEILIGHEIDSVOORSCHRIFTEN

Pictogrammen

In deze handleiding worden de volgende pictogrammen gebruikt:



Duidt op mogelijk lichamelijk letsel, levensgevaar of kans op beschadiging van de machine indien de instructies in deze handleiding worden genegeerd.



Geeft elektrische spanning aan.



Lees de handleiding voordat u met de machine gaat werken.

Ken uw machine



- ♦ **Waarschuwing!** Bij het gebruik van elektrische machines dienen ter bescherming tegen brandgevaar, elektrische schok en letsel altijd gepaste veiligheidsmaatregelen in acht te worden genomen, waaronder de volgende veiligheidsvoorschriften.
- ♦ Lees de gebruiksaanwijzing aandachtig door voordat u met de machine gaat werken.
- ♦ Zorg ervoor dat u voor gebruik weet hoe u de machine in geval van nood uitschakelt.
- ♦ Het gebruik volgens bestemming is beschreven in deze handleiding. Gebruik ter voorkoming van lichamelijk letsel uitsluitend de in deze gebruiksaanwijzing aanbevolen accessoires en hulpstukken.

Gebruik de machine uitsluitend volgens bestemming.

- ◆ Bewaar deze instructies zorgvuldig!

Werkomgeving

- ◆ Stel de machine niet bloot aan regen. Gebruik de machine niet in een vochtige of natte omgeving.
- ◆ Gebruik de machine alleen bij daglicht of goede kunstmatige verlichting.

Persoonlijke bescherming

- ◆ Draag stevige schoenen of laarzen om uw voeten te beschermen. Gebruik de machine niet met open sandalen of blootsvoets.
- ◆ Draag een lange broek om uw benen te beschermen.

Gebruik van de machine

- ◆ Wees ervan verzekerd dat de machine is uitgeschakeld voordat u de stekker in het stopcontact steekt.
- ◆ Blijf voortdurend opletten. Houd uw aandacht bij uw werk. Ga met verstand te werk.
- ◆ Gebruik de machine niet als u niet geconcentreerd bent.
- ◆ Als de machine heftig begint te vibreren, schakel hem dan uit en neem de stekker uit het stopcontact. Laat roterende onderdelen tot stilstand komen alvorens de machine op beschadigingen en losgeraakte onderdelen te controleren.
- ◆ Trek niet aan de kabel om de stekker uit het stopcontact te verwijderen. Houd het snoer uit de buurt van warmtebronnen, olie en scherpe randen.
- ◆ Als het netsnoer tijdens gebruik beschadigd raakt, schakel de machine dan direct uit en neem de stekker uit het stopcontact.

Raak het netsnoer niet aan voordat u de stekker uit het stopcontact heeft genomen.

Veiligheid van anderen

- ◆ Verbied kinderen en personen die niet van de inhoud van deze handleiding op de hoogte zijn het gebruik van de machine.

- ◆ Houd kinderen, bezoekers en dieren buiten het werkgebied en laat ze de machine of de elektriciteitskabel niet aanraken.
- ◆ Onthoud dat de gebruiker verantwoordelijk kan worden gesteld voor ongelukken of gevaren aan andere mensen of hun eigendommen.

Na gebruik

- ◆ Schakel de machine uit, neem de stekker uit het stopcontact en vergewis u ervan dat de bewegende delen tot stilstand zijn gekomen alvorens u de machine zonder toezicht achterlaat of enig onderdeel van de machine verwisselt, reinigt of controleert.
- ◆ Indien niet in gebruik, dient de machine te worden opgeborgen op een droge plaats. Kinderen mogen geen toegang hebben tot opgeborgen machines.

Inspectie en reparatie

- ◆ Controleer de machine voor gebruik op beschadigde of defecte onderdelen. Controleer of alle bewegende delen correct gemonteerd zijn, of er geen onderdelen gebroken zijn, of er geen beschermkappen en schakelaars beschadigd zijn en of er andere gebreken zijn die invloed op de werking van de machine zouden kunnen hebben.
- ◆ Gebruik de machine niet als enig onderdeel defect is. Gebruik de machine niet als de aan/uit-schakelaar niet werkt.
- ◆ Gebruik de machine nooit als een beveiliging of afdekking beschadigd is of ontbreekt.
- ◆ Vergewis u er van dat de machine correct werkt.
- ◆ Defecte onderdelen dienen door een erkend servicecentrum te worden gerepareerd of vervangen.
- ◆ Controleer voor gebruik het netsnoer op beschadiging, veroudering en slijtage.
- ◆ Gebruik de machine niet als het netsnoer beschadigd of defect is.
- ◆ Indien het netsnoer beschadigd is, dient het ter voorkoming van gevaren te worden vervangen door een erkend servicecentrum.
- ◆ Probeer nooit om enig onderdeel te verwijderen of vervangen, anders dan in deze handleiding beschreven.

Aanvullende veiligheidsinstructies voor strimmers

De machine is voorzien van de volgende pictogrammen:



Draag een veiligheidsbril als u deze machine bedient.



Het snijdraad draait nog een aantal seconden rond nadat de machine is uitgeschakeld. Probeer nooit om het draad zelf tot stilstand te brengen.



Houd mensen en dieren tenminste 6 m uit de buurt van de snijdraad.



Stel de machine niet bloot aan regen.



Schakel de machine uit, neem de stekker uit het stopcontact en vergewis u ervan dat de bewegende delen tot stilstand zijn gekomen alvorens u de machine zonder toezicht achterlaat of enig onderdeel van de machine verwisselt, reinigt of controleert.

- ◆ Controleer voordat u de machine in gebruik neemt of er geen stokjes, steentjes, draad en andere objecten op het te bewerken oppervlak liggen.
- ◆ Gebruik de machine alleen in de juiste positie, met het snijdraad in de buurt van de grond (zie afbeeldingen). Schakel de machine nooit in een andere positie in.
- ◆ Schakel de machine nooit in als uw handen of voeten zich in de buurt van de snijdraad bevinden.
- ◆ Raak nooit de snijdraad aan terwijl de machine is ingeschakeld.
- ◆ Ga niet te werk op steile taluds. Zorg altijd voor een juiste, stabiele houding. Houd er rekening mee dat pas gemaaid gras vochtig en glad is.
- ◆ Ga voorzichtig te werk bij graskanten en grindpaden en -wegen, omdat stenen en grond door de snijdraad kunnen worden weggeslingerd.

- ◆ Zet de machine niet neer voordat de snijdraad volledig tot stilstand is gekomen.
- ◆ Gebruik uitsluitend het geschikte type Black & Decker-snijdraad. Gebruik nooit snijdraad van metaal of vislijn.
- ◆ Breng na het verlengen van de snijdraad de machine altijd weer in de normale stand terug alvorens hem in te schakelen.
- ◆ Zorg dat het netsnoer uit de buurt van het snijdraad wordt gehouden. Zorg dat u altijd op de hoogte bent van de plaats waar het snoer zich bevindt.

ELEKTRISCHE VEILIGHEID

De machine is ontwikkeld voor een bepaalde netspanning. Controleer altijd of uw netspanning overeenkomt met de waarde op het typeplaatje.



Deze machine is uitsluitend bedoeld voor wisselspanningsvoeding (lichtnet). Probeer nooit om de machine op enige andere stroomvoorziening aan te sluiten.



Deze machine is dubbel geïsoleerd overeenkomstig EN 60335. Een aarddraad is daarom niet vereist.

- ◆ Vermijd aanraking van geaarde oppervlakken (bijv. metalen relingen, lantaarnpalen, enz.).
- ◆ Elektrische veiligheid kan verder worden verbeterd met behulp van een hooggevoelige (30 mA/30 mS) reststromschakelaar (RCD).

Verlengsnoeren

Gebruik uitsluitend goedgekeurde verlengsnoeren, die geschikt zijn voor het vermogen van de machine (zie typeplaatje). Het verlengsnoer dient geschikt te zijn voor gebruik buitenshuis.

- ◆ Controleer het verlengsnoer voor gebruik op beschadiging, veroudering en slijtage. Vervang een beschadigd of defect verlengsnoer.
- ◆ Wanneer het verlengsnoer op een haspel zit, rol het snoer dan helemaal af.
- ◆ Zorg dat het snoer uit de buurt van het snijdraad wordt gehouden. Zorg dat u altijd op de hoogte bent van de plaats waar het snoer zich bevindt.

INHOUD VAN DE VERPAKKING

De verpakking bevat:

- 1 Grastrimmer
- 1 Beschermkap met montageschroef
- 1 Set met stukken snijdraad
- 1 Handleiding

- ◆ Pak zorgvuldig alle onderdelen uit.

OVERZICHT (fig. A)

- 1. Aan/uit-schakelaar
- 2. Handgreep
- 3. Netaansluiting
- 4. Beschermkap
- 5. Snijdraadhouder
- 6. Snijdraad

MONTAGE



Zorg vóór aanvang van de montage dat de machine is uitgeschakeld en de netstekker van het lichtnet is losgekoppeld.

Aanbrengen van de beschermkap (fig. B)

- ◆ Verwijder de stekker uit het stopcontact.
- ◆ Verwijder de schroef (7) uit de beschermkap.
- ◆ Plaats de beschermkap (4) op de machine zoals afgebeeld.
- ◆ Duw de beschermkap stevig aan totdat hij op zijn plaats klikt.
- ◆ Bevestig de beschermkap met de schroef (7).



Gebruik de machine nooit zonder dat de beschermkap naar behoren is aangebracht.

Aanbrengen van een nieuw stuk snijdraad (fig. C & D)

Vervangende sets snijdraad met voorgesneden snijdraad zijn verkrijgbaar bij uw Black & Decker dealer (cat. no. A5995). Ook kunt u een verpakking met 25 of 40 m snijdraad kopen (A6170/A6171) en vervolgens dit snijdraad in stukjes van 177 mm snijden. De machine is voorzien van een opbergvak (9) voor stukjes snijdraad (fig. C).

- ◆ Verwijder de stekker uit het stopcontact.
- ◆ Verwijder het oude snijdraad uit de spoel.
- ◆ Verwijder vuil en gras uit de snijdraadhouder.
- 1. Steek een uiteinde van een nieuw stuk snijdraad in het gat (10).
- 2. Voer de snijdraad onder de borgclip (11) en trek totdat de draad vastklikt.
- 3. Voor de snijdraad zoals afgebeeld in de twee gleuven (12) en steek de draad door de opening (13).
- ◆ Zorg dat het snijdraad stevig is vastgezet.



Gebruik alleen snijdraad van Black & Decker met een diameter van 1,5 mm.

Aansluiten van de machine op het elektriciteitsnet (fig. A & C)

- ◆ Sluit een geschikt verlengsnoer aan op de netaansluiting (3).
- ◆ Haal het snoer door de trekontlasting (8), zoals afgebeeld, om te voorkomen dat tijdens gebruik het verlengsnoer losraakt.
- ◆ Steek de netstekker in een stopcontact.



Het verlengsnoer dient geschikt te zijn voor gebruik buitenshuis.

GEBRUIK



Laat de machine op haar eigen tempo werken. Niet overbelasten.

Aan- en uitschakelen (fig. A)

- ◆ Om de machine in te schakelen, drukt u de aan/uit-schakelaar (1) in.
- ◆ Om de machine uit te schakelen, laat u de aan/uit-schakelaar (1) los.



Probeer nooit om de schakelaar in de ingeschakelde stand te blokkeren.

Tips voor optimaal gebruik

- ◆ Houd de machine vast zoals afgebeeld in fig. E.
- ◆ Zwaai de trimmer langzaam heen en weer zoals afgebeeld in fig. E.
- ◆ Ga bij het bewerken van lang gras laag voor laag te werk vanaf de bovenkant.

- ◆ Houd de machine uit de buurt van harde voorwerpen en fijne beplanting.
- ◆ Verminder de belasting als de machine langzamer begint te draaien.
- ◆ Voor een optimaal resultaat kunt u het beste alleen droog gras bewerken.
- ◆ Vervang het snijdraad wanneer deze is versleten.

ONDERHOUD

Uw Black & Decker machine is ontworpen om gedurende langere periode te functioneren met een minimum aan onderhoud. Voortdurend tevreden gebruik is afhankelijk van correct onderhoud en regelmatig schoonmaken.



Zorg vóór aanvang van onderhoudswerkzaamheden dat de machine is uitgeschakeld en de netstekker van het lichtnet is losgekoppeld.

- ◆ Reinig regelmatig de ventilatieopeningen in de machine met behulp van een zachte borstel of een droge doek.
- ◆ Reinig regelmatig het snijdraad en de snijdraadhouder met een zachte borstel of een droge doek.
- ◆ Gebruik regelmatig een botte krabber om gras en vuil uit de beschermkap te verwijderen.
- ◆ Controleer het snijdraad regelmatig op slijtage.



Gebruik geen schuur- of oplosmiddel.

STORINGEN VERHELPEN

Indien uw machine niet naar behoren functioneert, volg dan onderstaande instructies. Als hierdoor het probleem niet wordt opgelost, kunt u contact opnemen met uw plaatselijke Black & Decker service-centrum.



Neem voor de werkzaamheden de netstekker uit het stopcontact.

Machine start niet.

- ◆ Controleer dat de voeding kables correct zijn aangesloten.
- ◆ Controleer de netzekeringen.

Machine trilt sterk

- ◆ Maak de snijdraadhouder zorgvuldig schoon
- ◆ Controleer of de snijdraadhouder stevig is bevestigd en dat deze niet is beschadigd. Laat de houder repareren of vervang deze indien nodig.
- ◆ Controleer of er snijdraad aanwezig is en dat het naar behoren is aangebracht
- ◆ Controleer of het snijdraad beschadigd is. Vervang indien nodig.

MILIEU



Black & Decker biedt de mogelijkheid tot recyclen van afgedankte Black & Decker producten. Deze service is kosteloos. Om gebruik van deze service te maken, dient u het product aan een van onze servicecentra te sturen, die voor ons de inzameling verzorgen.

U kunt het adres van het dichtstbijzijnde servicecentrum opvragen via de adressen op de achterzijde van deze handleiding. U kunt ook een lijst van onze servicecentra en meer informatie m.b.t. onze klantenservice vinden op het volgende Internet-adres: **www.2helpU.com**.

GARANTIE

Black & Decker heeft vertrouwen in zijn producten en biedt een uitstekende garantie. Deze garantiebepalingen vormen een aanvulling op uw wettelijke rechten en beperken deze niet. De garantie geldt in de lidstaten van de Europese Unie en de Europese Vrijhandelsassociatie.

Mocht uw Black & Decker product binnen 24 maanden na datum van aankoop defect raken tengevolge van materiaal- of constructiefouten, dan garanderen wij de kosteloze vervanging van defecte onderdelen, de reparatie van het product of de vervanging van het product, tenzij:

- ◆ Het product is gebruikt voor handelsdoeleinden, professionele toepassingen of verhuurdoeleinden;
- ◆ Het product onoordeelkundig is gebruikt;
- ◆ Het product is beschadigd door invloeden van buitenaf of door een ongeval;

- ◆ Reparaties zijn uitgevoerd door anderen dan onze servicecentra of Black & Decker personeel.

Om een beroep op de garantie te doen, dient u een aankoopbewijs te overhandigen aan de verkoper of een van onze servicecentra. U kunt het adres van het dichtstbijzijnde servicecentrum opvragen via de adressen op de achterzijde van deze handleiding. U kunt ook een lijst van onze servicecentra en meer informatie m.b.t. onze klantenservice vinden op het volgende Internet-adres: **www.2helpU.com**.

ANDERE MACHINES VOOR GEBRUIK IN DE TUIN

Black & Decker heeft een compleet scala aan machines die het leven in de tuin vereenvoudigen. Als u meer informatie over de volgende producten wenst, neemt u dan contact op met ons Service- en Informatiecentrum (zie de adrespagina aan het eind van deze handleiding) of uw plaatselijke Black & Decker detailhandelaar.

Strimmers	Kettingzagen
Accu-bezems	Accu-grasscharen
Accu-tuinscharen	Heggenscharen
Grasmaaiers	Verticuteerders
Bladruimers	Hakselaars

Niet ieder product is verkrijgbaar in alle landen.

RECORTADORA GL20

¡ENHORABUENA!

Ha escogido una herramienta Black & Decker. Nuestro objetivo es ofrecerle herramientas de calidad a un precio asequible y estamos seguros que podrá disfrutar de esta herramienta durante muchos años.

DECLARACIÓN CE DE CONFORMIDAD



GL20

Black & Decker certifica que estas herramientas eléctricas han sido construidas de acuerdo a las normas siguientes: 98/37/CEE, 89/336/CEE, 73/23/CEE, EN 60335, EN 55014, EN 61000, 2000/14/CEE, recortabordes, L 50 cm

Annex VIII, No. 00086
B.S.I., HP2 4SQ, Reino Unido

El nivel de la presión acústica, medida de acuerdo con 2000/14/EC:

		GL20
L_{pA}	(presión acústica) dB(A)	81
L_{WA}	(potencia acústica) dB(A)	94
L_{WA}	(garantizado) dB(A)	96



Tome medidas adecuadas para proteger sus oídos cuando la presión acústica exceda el valor de 85 dB(A).

Valor cuadrático medio ponderado en frecuencia de la aceleración según 98/37/CEE:

		GL20
		< 2,5 m/s ²

Brian Cooke

Director de Ingeniería

Spennymoor, County Durham DL16 6JG,

United Kingdom

1-12-2001

FINALIDAD

Su recortadora Black & Decker está diseñada para el acondicionamiento y recorte de los bordes del césped y para el corte de la hierba en espacios reducidos.

Esta herramienta está pensada únicamente para consumo doméstico.

INSTRUCCIONES DE SEGURIDAD

Pictogramas

En el presente manual figuran los pictogramas siguientes:



Indica peligro de lesiones, de accidentes mortales o de averías en la herramienta en caso de no respeto de las instrucciones en este manual.



Indica tensión eléctrica.



Lea el manual antes de utilizar la herramienta.

Conozca su herramienta



- ◆ **¡Atencion!** Cuando use herramientas eléctricas, debe seguir siempre las precauciones de seguridad básicas, incluidas las siguientes, a fin de reducir el riesgo de incendios, electrocución y lesiones personales.
- ◆ Lea completamente este manual antes de utilizar la herramienta.
- ◆ Antes de poner en marcha la herramienta, compruebe que sabe cómo desconectarla en caso de emergencia.
- ◆ En este manual se explica para qué uso está destinada la herramienta.

El uso de otros accesorios, adaptadores, o la propia utilización de la herramienta en cualquier forma diferente de las recomendadas en este manual de instrucciones puede constituir un riesgo de lesiones a las personas.

- ◆ Mantenga a mano este manual para consultas posteriores.

Área de trabajo

- ◆ No exponga herramientas a la humedad.
- ◆ Utilice la herramienta sólo a la luz del día o con una buena iluminación artificial.

Protección personal

- ◆ Lleve zapatos resistentes o botas para proteger sus pies. No trabaje con esta herramienta cuando tenga puestas sandalias en las que queden expuestos los dedos de los pies, ni cuando esté descalzo.
- ◆ Lleve pantalones largos para proteger sus piernas.

Utilización de su herramienta

- ◆ Asegúrese de que la herramienta esté apagada cuando la enchufe.
- ◆ Esté siempre alerta. Mire lo que está haciendo. Use el sentido común.
- ◆ No maneje la herramienta cuando está cansado.
- ◆ Si la herramienta comenzara a vibrar de forma anormal, apáguela y extraiga el enchufe del tomacorriente. Espere hasta que se hayan detenido completamente las partes rotatorias, e inspeccione la herramienta en búsqueda de piezas dañadas o flojas.
- ◆ Nunca tire del cable para desconectarlo del enchufe. Proteja el cable del calor, del aceite y de las aristas vivas.
- ◆ Si el cable de alimentación de corriente se dañara durante la utilización de la herramienta, apague la misma y desconecte inmediatamente el enchufe del tomacorriente.

No toque el cable de alimentación de corriente antes de desenchufarlo del tomacorriente.

Seguridad de otras personas

- ◆ Crianças ou qualquer pessoa que não tenha lido este manual de instruções ou não esteja familiarizada com a ferramenta não a deverá utilizar.
- ◆ No permita que niños, otras personas o animales se acerquen al área de trabajo ni toquen la herramienta o el cable de corriente.
- ◆ Recuerde que el operador es responsable de los accidentes o daños ocasionados a otras personas o a sus pertenencias.

Cuando acabe de utilizar la herramienta

- ◆ Apáguela, desconecte el enchufe del tomacorriente, y asegúrese de que todas las partes rotatorias se hayan detenido completamente antes de dejar desatendida la herramienta, y antes de cambiar, limpiar o inspeccionar cualquiera de las piezas de la misma.
- ◆ Cuando no esté siendo utilizada, la herramienta debe guardarse en un lugar seco. Los niños no deben tener acceso a las herramientas guardadas.

Inspección y reparaciones

- ◆ Antes de utilizarla, revise la herramienta para ver si está dañada o tiene piezas defectuosas. Compruebe la posible existencia de piezas móviles mal alineadas o atascadas, la rotura de piezas, el posible daño de protectores e interruptores y cualquier otros aspecto que pueda afectar al funcionamiento de la herramienta.
- ◆ No use la herramienta si hay alguna pieza defectuosa o averiada. No utilice la herramienta si no es posible apagar y encender el interruptor.
- ◆ No utilice nunca la herramienta cuando cualquiera de sus cubiertas protectoras o carcasas esté dañada o fuera de su lugar.
- ◆ Asegúrese de que la herramienta puede funcionar adecuadamente y cumplir con el cometido para el que ha sido diseñada.
- ◆ Encargue al servicio técnico autorizado que repare o sustituya las piezas defectuosas o averiadas.

- ◆ Antes de utilizar la herramienta, revise el cable de alimentación de corriente para ver si presenta señales de daños, envejecimiento o desgaste.
- ◆ No utilice la herramienta si el cable de alimentación de corriente está dañado o defectuoso.
- ◆ Si el cable eléctrico está estropeado, hay que sustituirlo en un agente de reparaciones autorizado con el fin de evitar un accidente.
- ◆ No intente nunca extraer o remplazar ninguna de las piezas que no sean las especificadas en este manual.

Instrucciones de seguridad adicionales para recortabordes

Encontrará los siguientes símbolos de advertencia en la herramienta:



Lleve gafas protectoras cuando utilice esta herramienta.



La línea de corte continuará funcionando durante unos segundos después de desconectar la herramienta. Nunca intente forzar la parada de la línea de corte.



Mantenga a las personas y animales a una distancia mínima de 6 m del área de corte.



No exponga la herramienta a lluvia o humedad elevada.



Apáguela, desconecte el enchufe del tomacorriente, y asegúrese de que todas las partes rotatorias se hayan detenido completamente antes de dejar desatendida la herramienta, y antes de cambiar, limpiar o inspeccionar cualquiera de las piezas de la misma.

- ◆ Antes de usar la herramienta, compruebe que el trayecto de corte está libre de palos, piedras, cables o cualquier otro obstáculo.

- ◆ Utilice la herramienta solamente en la posición correcta, con la línea de corte próxima al suelo, tal como se muestra en las ilustraciones. Nunca encienda la herramienta en ninguna otra posición.
- ◆ Encienda la herramienta solamente cuando las manos y los pies estén alejados del cable de corte.
- ◆ Evite el contacto corporal con el cable de corte mientras la herramienta esté en funcionamiento.
- ◆ No trabaje en cuestas empinadas. Asegúrese de estar parado firmemente. Tenga en cuenta que el césped recién cortado está húmedo y resbaladizo.
- ◆ Tenga cuidado cuando esté cortando cerca de las orillas y sendas o caminos de grava, ya que el cable de corte puede lanzar piedras y tierra.
- ◆ No suelte la herramienta hasta que la línea de corte se haya parado totalmente.
- ◆ Use únicamente el tipo adecuado de línea de corte Black & Decker. Nunca use líneas de corte o rematadores metálicos.
- ◆ Luego de colocar un cable de corte nuevo, coloque siempre la herramienta en su posición de trabajo normal antes de encenderla.
- ◆ Tenga cuidado para que el cable no se acerque a la hoja de corte. No pierda de vista el cable en ningún momento.

SEGURIDAD ELÉCTRICA

La herramienta ha sido diseñada para una tensión solamente. Compruebe siempre que la tensión de la red corresponda con el valor indicado en la placa de datos de la herramienta.



Esta herramienta está diseñada solamente para alimentación de corriente alterna. No intente utilizarla con ninguna otra fuente de alimentación eléctrica.



A herramienta tiene doble aislamiento, conforme a la norma EN 60335; por consiguiente, no se requiere conexión a tierra.

- ◆ Evite el contacto del cuerpo con superficies conectadas a masa o tierra (por ejemplo verjas metálicas o farolas, etc.).
- ◆ Se puede incrementar la seguridad eléctrica utilizando disyuntores de alta sensibilidad (30 mA/30 mS) para detectar corrientes de fuga.

Utilización de un cable de prolongación

Utilice siempre un cable alargador homologado, apropiado para el consumo de corriente de esta herramienta (ver placa de datos de la herramienta). El cable alargador debe ser adecuado para uso en exteriores.

- ◆ Antes de utilizar la herramienta, revise el cable de alimentación de corriente para ver si presenta señales de daños, envejecimiento o desgaste. Reemplace el cable alargador si estuviera dañado o defectuoso.
- ◆ Si utiliza un carrete de cable, desenrolle siempre el cable completamente.
- ◆ Tenga cuidado para que el cable no se acerque a la hoja de corte. No pierda de vista el cable en ningún momento.

CONTENIDO DE LA CAJA

La caja contiene:

- 1 Recortadora para césped
- 1 Protección con tornillos de fijación
- 1 Paquete compuesto de trozos de hilo de corte
- 1 Manual de instrucciones

- ◆ Desembale con cuidado todas las piezas.

VISTA GENERAL (fig. A)

1. Conmutador ON/OFF (encendido/apagado)
2. Empuñadura
3. Toma de corriente
4. Protección
5. Fiador de hilo de corte
6. Hilo de corte

MONTAJE



Antes de proceder al montaje, compruebe que la herramienta está apagada y desenchufada.

Montaje de la protección (fig. B)

- ◆ Desenchufe la herramienta.
- ◆ Desmonte el tornillo (7) de la protección (4).
- ◆ Coloque la protección (4) en la herramienta tal y como se indica.
- ◆ Presione firmemente sobre la protección hasta que encaje en su sitio.
- ◆ Sujete la protección con el tornillo (7).



No utilice nunca la herramienta sin la protección debidamente montada en su sitio.

Montaje de un hilo de corte nuevo (fig. C & D)

Su concesionario Black & Decker dispone de paquetes de hilos de corte de repuesto compuestos por trozos cortados ya a medida (nº de cat. A5995). De forma alternativa, puede comprar un paquete compuesto por 25 a 40 m. de hilo de corte (A6170/A6171) y cortar dicho hilo en trozos de 177 mm. cada uno. La herramienta dispone de un compartimento (9) para guardar los trozos de hilo de corte (fig. C).

- ◆ Desenchufe la herramienta.
 - ◆ Extraiga el hilo de corte residual del fiador.
 - ◆ Elimine cualquier suciedad o residuo de hierba que quede en el fiador.
1. Introduzca un extremo del hilo de corte en el agujero (10).
 2. Guíe el hilo por debajo del clip de retención (11) y tire del hilo hasta que se coloque en posición con un clic.
 3. Guíe el hilo hacia el interior de las dos ranuras (12) tal y como se muestra y páselo por el orificio de salida (13).
- ◆ Asegúrese de que el hilo queda bien sujeto.



Utilice únicamente hilo de corte Black & Decker de 1,5 mm. de diámetro.

Conexión de la herramienta a la alimentación de corriente (fig. A & C)

- ◆ Conecte el enchufe hembra de un cable alargador adecuado a la toma de corriente (3).
- ◆ Enlace el cable a través del limitador (8) como se indica para evitar que se suelte el alargador durante su empleo.
- ◆ Conecte el enchufe a una toma de corriente.



El cable alargador debe ser adecuado para uso en exteriores.

USO



Deje que la herramienta funcione a su ritmo. No la sobrecargue.

Encendido y apagado (fig. A)

- ◆ Para poner en marcha la herramienta, pulse el interruptor on/off (1).
- ◆ Para parar la herramienta, suelte el interruptor on/off.



No intente nunca bloquear el interruptor en la posición de encendido (On).

Consejos para un uso óptimo

- ◆ Sujete la herramienta como se indica en la fig. E.
- ◆ Gire suavemente la recortadora de un lado a otro como se indica en la fig. E.
- ◆ Cuando se corte un césped alto, realice el trabajo por etapas empezando por la parte superior.
- ◆ Mantenga la herramienta alejada de objetos duros y plantas delicadas.
- ◆ Si la herramienta empieza a funcionar lentamente, reduzca la carga.
- ◆ Para lograr un corte óptimo, corte únicamente el césped que esté seco.
- ◆ Sustituya el hilo de corte cuando esté desgastado.

MANTENIMIENTO

Su herramienta Black & Decker está diseñada para funcionar durante un largo período de tiempo con un mantenimiento mínimo. El funcionamiento satisfactorio continuado depende de un cuidado apropiado y una limpieza periódica de la herramienta.



Antes de realizar cualquier tipo de mantenimiento, apague y desenchufe la herramienta.

- ◆ Limpie periódicamente las ranuras de ventilación de la herramienta con un cepillo suave o con un paño seco.

- ◆ Limpie periódicamente el hilo de corte y el fiador de esta hilo con un cepillo suave o un trapo seco.
- ◆ Utilice periódicamente un raspador romo para eliminar la hierba y la suciedad existente debajo de la protección.
- ◆ Compruebe periódicamente el desgaste del hilo de corte.



No utilice ninguna sustancia limpiadora abrasiva o que contenga disolventes.

LOCALIZACIÓN DE AVERÍAS

Si su herramienta no funciona adecuadamente, siga estas instrucciones. Si esto no resuelve el problema, póngase en contacto con el servicio de reparaciones de Black & Decker de su zona.



Antes de cualquier operación, desenchufe la herramienta.

La herramienta no se pone en marcha

- ◆ Compruebe si los cables de alimentación de corriente están bien conectados.
- ◆ Compruebe los fusibles de la alimentación de corriente.

La herramienta vibra mucho

- ◆ Limpie cuidadosamente el fiador del hilo.
- ◆ Compruebe que el fiador del hilo está sujeto firmemente y que no está dañado. Repárelo o sustitúyalo si fuera necesario.
- ◆ Compruebe que la herramienta dispone de hilo de corte y que éste se encuentra debidamente montado.
- ◆ Compruebe la existencia de daños en el hilo de corte. Sustitúyalo si es necesario.

PROTECCIÓN DEL MEDIO AMBIENTE



Black & Decker proporciona facilidades para el reciclado de los productos Black & Decker que hayan llegado al final de su vida útil. Este servicio se proporciona de forma gratuita. Para poderlo utilizar, le rogamos entregue el producto en cualquier servicio técnico autorizado quien se hará carga del mismo en nuestro nombre.

Pueden consultar la dirección de su servicio técnico más cercano poniéndose en contacto con la oficina local de Black & Decker en la dirección que se indica en este manual. Como alternativa, se puede consultar en Internet, en la dirección siguiente, la lista de servicios técnico autorizados e información completa de nuestros servicios de postventa y contactos: www.2helpU.com.

GARANTÍA

Black & Decker confía plenamente en la calidad de sus productos y ofrece una garantía extraordinaria. Esta declaración de garantía es un añadido a, y en ningún caso un perjuicio para, sus derechos estatutarios. La garantía es válida dentro de los territorios de los Estados Miembros de la Unión Europea y de los de la Zona Europea de Libre Comercio.

Si un producto Black & Decker resultara defectuoso debido a materiales o mano de obra defectuosos o a la falta de conformidad, Black & Decker garantiza, dentro de los 24 meses de la fecha de compra, la sustitución de las piezas defectuosas, la reparación de los productos sujetos a un desgaste y rotura razonables o la sustitución de tales productos para garantizar al cliente el mínimo de inconvenientes, a menos que:

- ◆ El producto haya sido utilizado con propósitos comerciales, profesionales o de alquiler;
- ◆ El producto haya sido sometido a un uso inadecuado o negligente;
- ◆ El producto haya sufrido daños causados por objetos o sustancias extrañas o accidentes;

- ◆ Se hayan realizado reparaciones por parte de personas que no sean los servicios de reparación autorizados o personal de servicios de Black & Decker;

Para reclamar en garantía, será necesario que presente la prueba de compra al vendedor o al servicio técnico de reparaciones autorizado. Pueden consultar la dirección de su servicio técnico más cercano poniéndose en contacto con la oficina local de Black & Decker en la dirección que se indica en este manual. Como alternativa, se puede consultar en Internet, en la dirección siguiente, la lista de servicios técnico autorizados e información completa de nuestros servicios de postventa y contactos: www.2helpU.com.

OTRAS HERRAMIENTAS DE JARDINERÍA

Black & Decker cuenta con una amplia gama de herramientas de jardinería para hacerle la vida en el jardín más fácil. Si desea más información sobre los siguientes productos, no dude en ponerse en contacto con nuestro Centro de Servicio e Información (consulte la página de direcciones al final de este manual) o diríjase a su concesionario local de Black & Decker.

Motosierras	Recortabordes
Recortasetos	Cortacéspedes
Escarificadores	Aspiradores-sopladores

Todos los productos no se encuentran disponibles en todos los países.

APARADOR DE RELVA GL20

PARABÉNS!

Você escolheu uma ferramenta Black & Decker. O nosso objectivo é fornecer ferramentas de qualidade a um preço acessível. Esperamos que a utilize por muitos anos.

DECLARAÇÃO DE CONFORMIDADE



GL20
Black & Decker declara que estas ferramentas foram concebidas em conformidade com: 98/37/CEE, 89/336/CEE, 73/23/CEE, EN 60335, EN 55014, EN 61000, 2000/14/CEE, aparador de relva, L 50 cm

Annex VIII, No. 00086
B.S.I., HP2 4SQ, Reino Unido

Nível de potência sonora, medido de acordo com a 2000/14/EC:

		GL20
L_{pA}	(pressão sonora) dB(A)	81
L_{WA}	(potência sonora) dB(A)	94
L_{WA}	(com garantia) dB(A)	96



Use protectores auditivos quando a potência sonora ultrapassar 85 dB(A).

Valor médio quadrático ponderado em frequência de aceleração conforme à 98/37/CEE:

		GL20
		< 2,5 m/s ²

Brian Cooke

Engenheiro Responsável

Spennymoor, County Durham DL16 6JG,

United Kingdom

1-12-2001

FINALIDADE DA FERRAMENTA

O aparador da Black & Decker foi projectado para aparar orlas, bem como cortar relva em espaços limitados.

Esta ferramenta destina-se apenas para uso doméstico.

INSTRUÇÕES DE SEGURANÇA

Símbolos

Os seguintes símbolos são usados neste manual:



Indica risco de ferimentos, perda de vida ou danos na ferramenta no caso do não-cumprimento das instruções deste manual.



Indica tensão eléctrica.



Leia este manual antes de utilizar a ferramenta.

Conhecer a ferramenta



- ◆ **Aviso!** Ao utilizar ferramentas eléctricas, é preciso seguir sempre as precauções básicas para a segurança, incluindo as detalhadas a seguir, para diminuir os riscos de incêndio, choque eléctrico e ferimentos pessoais.
- ◆ Leia atentamente este manual antes de utilizar a ferramenta.
- ◆ Antes de utilizar a ferramenta, certifique-se de que sabe como desligá-la em uma emergência.
- ◆ Neste manual indicam-se as aplicações da ferramenta. O uso de qualquer acessório ou da própria ferramenta, além do que é recomendado neste manual de instruções pode dar origem a riscos de ferimentos.
- ◆ Guarde este manual para referência futura.

Área de trabalho

- ◆ Não exponha a ferramenta à chuva. Não utilize a ferramenta em situações onde haja humidade ou água.
- ◆ Utilize a ferramenta apenas durante o dia ou com boa iluminação artificial.

Protecção pessoal

- ◆ Utilize botas ou sapatos resistentes para proteger os pés. Não a opere descalço ou se estiver a utilizar sandálias.
- ◆ Vista calças compridas para proteger as pernas.

Utilização da ferramenta

- ◆ Assegure-se de que a ferramenta esteja desligada quando for ligá-la à tomada.
- ◆ Esteja atento. Dê atenção ao que vai fazendo. Trabalhe com precaução.
- ◆ Não utilize ferramentas quando estiver cansado.
- ◆ Se a ferramenta começar a vibrar de forma anormal, desligue-a e remova o plugue da tomada. Aguarde as peças giratórias cessarem o movimento e verifique a existência de danos ou peças soltas.
- ◆ Nunca puxe o cabo para desligá-lo da tomada. Proteja o cabo contra o calor e evite o contacto com óleo e objectos cortantes.
- ◆ Se o fio eléctrico sofrer danos durante o uso, desligue a ferramenta e desconecte o plugue da tomada imediatamente. **Não toque o fio eléctrico antes de desconectá-lo da tomada.**

Segurança de outras pessoas

- ◆ Crianças ou qualquer pessoa que não tenha lido este manual de instruções ou não esteja familiarizada com a ferramenta não a deverá utilizar.
- ◆ Não permita que crianças, visitantes ou animais cheguem perto da área de trabalho ou toquem na ferramenta ou no cabo de força.
- ◆ Lembre-se que o operador poderá ser responsabilizado por acidentes ou danos causados a pessoas ou à sua propriedade.

Após o uso

- ◆ Desligue-a, remova o plugue da tomada e, antes de trocar, limpar ou inspeccionar qualquer peça da ferramenta, certifique-se de que haja cessado o movimento das peças giratórias.
- ◆ Quando fora de uso, armazene a ferramenta em local seco. Mantenha as ferramentas armazenadas fora do alcance de crianças.

Inspeção e reparações

- ◆ Antes do uso, verifique a existência de danos ou defeitos nas peças. Verifique o tamanho das peças móveis e se as mesmas estão alinhadas; verifique se há alguma peça partida, se as protecções e os interruptores estão danificados, bem como quaisquer outras condições que possam afectar o funcionamento da ferramenta.
- ◆ Não utilize a ferramenta se houver alguma peça defeituosa. Não utilize a ferramenta se o interruptor não estiver a funcionar para ligar ou desligar.
- ◆ Nunca utilize a ferramenta se houver danos em algum dispositivo protector ou invólucro ou se os mesmos estiverem fora do lugar.
- ◆ Assegure-se de que a ferramenta funcione correctamente e de que esteja a desempenhar as funções para as quais foi projectada.
- ◆ Qualquer peça defeituosa deve ser reparada ou substituída por um técnico autorizado.
- ◆ Verifique se há sinais de danos, envelhecimento e desgaste no cabo eléctrico.
- ◆ Não utilize a ferramenta se o fio eléctrico estiver danificado ou com defeitos.
- ◆ Para evitar situações de risco, o cabo eléctrico danificado deverá ser substituído por um agente de reparações autorizado.
- ◆ Nunca tente remover ou trocar peças não especificadas nesse manual.

Instruções adicionais de segurança para aparadores de relva

Os símbolos de advertência a seguir encontram-se na ferramenta:



Utilize óculos de segurança durante o funcionamento da ferramenta.



Desligada a ferramenta, o fio de nylon continuará a funcionar por alguns segundos. Nunca tente forçar a sua paralisação.



Mantenha as pessoas a uma distância mínima de 6 m da área de corte.



Não exponha a ferramenta à chuva e humidade excessiva.



Desligue-a, remova o plugue da tomada e, antes de trocar, limpar ou inspeccionar qualquer peça da ferramenta, certifique-se de que haja cessado o movimento das peças giratórias.

- ◆ Antes de utilizar a ferramenta, verifique se o percurso de corte está livre de gravetos, pedras, arame e quaisquer outros obstáculos.
- ◆ Utilize a ferramenta apenas na posição correcta, com o fio de nylon próximo ao solo, conforme as ilustrações. Nunca a ligue em qualquer outra posição.
- ◆ Ligue-a apenas com as mãos e pés distantes do fio de nylon.
- ◆ Evite o contacto corporal com o fio de nylon durante o funcionamento.
- ◆ Não trabalhe em declives. Permaneça atento aos seus passos. Lembre-se que relva recém-cortada é húmida e escorregadia.
- ◆ Cuidado ao efectuar aparos próximo a orlas, caminhos com cascalho ou estradas, pois o fio de nylon poderá movimentar pedras e solo.
- ◆ Não coloque a ferramenta em posição horizontal a menos que o fio de nylon esteja completamente parado.
- ◆ Utilize apenas o tipo adequado de fio de nylon da Black & Decker. Nunca utilize fio de metal ou linha de pesca.
- ◆ Após estender fio de nylon novo, sempre coloque a ferramenta de volta à sua posição normal de funcionamento antes de ligá-la.

- ◆ Cuide para que o cabo de alimentação eléctrica fique longe do fio de corte. Esteja sempre atento ao posicionamento do cabo.

SEGURANÇA ELÉCTRICA

A ferramenta foi concebida para uma única tensão. Verifique sempre se a tensão da rede corresponde à voltagem indicada na placa de identificação.



Essa ferramenta foi concebida apenas para uso em fontes de alimentação CA. Não tente utilizá-la em outras fontes.



A ferramenta tem duplo isolamento em conformidade com o estipulado na norma EN 60335, não sendo, por isso, necessária uma ligação à terra.

- ◆ Evite o contacto com superfícies aterradas tais como trilhos de metal, postes de iluminação, etc.
- ◆ A segurança eléctrica pode ser melhorada mediante o uso de dispositivos de corrente residual (RCD) de alta sensibilidade (30 mA/30 mS).

Extensões

Utilize sempre cabo de extensão aprovado e adequado à entrada de força da ferramenta (consulte a placa de identificação). O cabo de extensão deve ser adequado para uso em ambientes externos.

- ◆ Antes do uso, verifique se há sinais de danos, envelhecimento e desgaste no cabo. Substitua-o se estiver danificado ou apresentar defeitos.
- ◆ No caso de se usar uma bobina, desenrole o cabo todo.
- ◆ Cuide para que o cabo de alimentação eléctrica fique longe do fio de corte. Esteja sempre atento ao posicionamento do cabo.

CONTEÚDO DA CAIXA

A caixa contém:

- 1 Aparador de relva
- 1 Resguardo com parafuso de montagem
- 1 Pacote com unidades de fio de nylon
- 1 Manual de instruções

- ◆ Retire todas as peças da embalagem, com cuidado.

VISÃO GERAL (fig. A)

1. Interruptor
2. Cabo
3. Entrada de energia
4. Resguardo
5. Retentor do fio de nylon
6. Fio de nylon

MONTAGEM



Antes da montagem, certifique-se de que a ferramenta está desligada da corrente eléctrica.

Instalação do resguardo (fig. B)

- ◆ Desligue a ferramenta
- ◆ Remova o parafuso (7) do resguardo (4).
- ◆ Coloque o resguardo (4) na ferramenta, conforme o indicado.
- ◆ Carregue firmemente no resguardo até que ele se encaixe no lugar.
- ◆ Fixe o resguardo com o parafuso (7).



Nunca utilize a ferramenta se o resguardo não estiver bem instalado.

Instalação de fio de nylon novo (fig. C & D)

Poderá obter pacotes para reposição com fio de nylon pré-cortado através de seu comerciante da Black & Decker (ref. catálogo A5995). Se preferir, poderá adquirir pacotes contendo 25 ou 40 m de fio de nylon (A6170/A6171) e cortá-lo em pedaços de 177 mm. A ferramenta está equipada com um compartimento de armazenagem (9) para fios de nylon (fig. C).

- ◆ Desligue a ferramenta
- ◆ Retire completamente o fio de nylon do retentor.
- ◆ Remova toda a sujidade e relva do retentor.
- 1. Insira no orifício (10) uma das extremidades do novo fio de nylon.
- 2. Guie o fio por baixo do grampo retentor (11) e puxe-o até encaixar no lugar.
- 3. Coloque o fio nas duas ranhuras (12) conforme o indicado e passe-o pelo orifício de saída (13).
- ◆ Assegure-se de que o fio esteja bem instalado.



Utilize apenas fios de nylon da Black & Decker de 1,5 mm de diâmetro.

Ligação da ferramenta à energia eléctrica (fig. A & C)

- ◆ Ligue a ficha fêmea de um cabo de extensão adequado à tomada de alimentação (3).
- ◆ Enrole o cabo no retentor (8) conforme mostrado para evitar que o cabo de extensão se solte durante o uso.
- ◆ Ligue a ficha à tomada da parede.



O cabo de extensão deve ser adequado para uso em ambientes externos.

USO



Deixe que a ferramenta funcione à vontade. Não a sobrecarregue.

Como ligar e desligar a ferramenta (fig. A)

- ◆ Para ligar a ferramenta, carregue no interruptor (1).
- ◆ Para desligar a ferramenta, solte o interruptor.



Nunca tente travar a chave na posição ligada.

Sugestões para uma melhor utilização

- ◆ Segure a ferramenta conforme mostrado na fig. E.
- ◆ Incline o aparador com cuidado de um lado para o outro, conforme mostrado na fig. E.
- ◆ Ao cortar relva longa, trabalhe em etapas, partindo do topo.
- ◆ Mantenha-a afastada de objectos duros e plantas delicadas.
- ◆ Se a ferramenta começar a funcionar lentamente, reduza a carga.
- ◆ Para obter óptimos resultados, corte apenas relva seca.
- ◆ Substitua o fio de nylon quando estiver desgastado.

MANUTENÇÃO

Esta ferramenta Black & Decker foi desenvolvida para funcionar por um longo período, com um mínimo de manutenção.

O funcionamento contínuo e satisfatório depende da limpeza regular e cuidado adequado da ferramenta.



Antes de qualquer procedimento de manutenção, desligue a máquina no interruptor e retire a tomada da corrente.

- ◆ Limpe regularmente as fendas de ventilação da ferramenta utilizando uma escova suave ou um pano seco.
- ◆ Limpe regularmente o fio de nylon e o retentor com uma escova macia ou um pano seco.
- ◆ Utilize regularmente uma espátula sem corte para remover relva e sujeira da parte inferior do resguardo.
- ◆ Verifique periodicamente se o fio de nylon está desgastado.



Não utilize nenhum limpador abrasivo ou de base solvente.

RESOLUÇÃO DE PROBLEMAS

Se a sua ferramenta não estiver a funcionar adequadamente, siga as instruções abaixo. Se não solucionar o problema, contacte um centro de assistência técnica da Black & Decker.



Antes de continuar, desligue a ferramenta da tomada.

A ferramenta não funciona.

- ◆ Verifique se os cabos de força estão correctamente conectados.
- ◆ Verifique os fusíveis.

A ferramenta vibra muito

- ◆ Limpe cuidadosamente o retentor do fio de nylon.
- ◆ Verifique se o retentor do fio de nylon está preso firmemente e que não esteja danificado. Repare ou substitua-o, se necessário.
- ◆ Verifique se o fio de nylon está no equipamento e se está correctamente instalado.
- ◆ Verifique se o fio de nylon está danificado. Substitua-o quando necessário.

PROTECÇÃO DO MEIO AMBIENTE



A Black & Decker oferece facilidades para a reciclagem de produtos Black & Decker uma vez que os mesmos tenham alcançado o final de suas vidas úteis. Este serviço é fornecido sem encargos. Para utilizá-lo, devolva seu produto a qualquer agente de reparo autorizado, que se encarregará de recolher o equipamento em nosso nome.

Para verificar a localização do agente de reparo mais próximo de si, contacte o escritório local da Black & Decker no endereço indicado neste manual. Se preferir, consulte a lista de agentes autorizados da Black & Decker e os dados completos de nossos serviços de atendimento pós-venda na Internet no endereço:

www.2helpU.com.

GARANTIA

A Black & Decker confia na qualidade de seus produtos e oferece um programa de garantia excelente. Esta declaração de garantia soma-se a seus direitos legais e não os prejudica em nenhum aspecto. A garantia será válida nos territórios dos Estados Membros da União Europeia e na Área de Livre Comércio da Europa.

Caso algum produto da Black & Decker apresente avarias devido a defeitos de material, mão-de-obra ou ausência de conformidade no prazo de 24 meses a partir da data de compra, a Black & Decker garantirá a substituição das peças defeituosas, a reparação dos produtos que foram submetidos a uso adequado e remoção ou substituição dos mesmos para assegurar o mínimo de inconvenientes ao cliente a menos que:

- ◆ O produto haja sido utilizado para fins comerciais, profissionais ou locação;
- ◆ O produto haja sido submetido a uso incorrecto ou descuido;
- ◆ O produto haja sofrido danos causados por objectos estranhos, substâncias ou acidentes;
- ◆ Haja histórico de reparos efectuados por terceiros que não sejam os agentes autorizados ou profissionais de manutenção da Black & Decker.

Para accionar a garantia, será necessário enviar a prova de compra ao revendedor ou agente de reparo autorizado. Para verificar a localização do agente de reparo mais próximo de si contacte o escritório local da Black & Decker no endereço indicado neste manual. Se preferir, consulte a lista de agentes autorizados da Black & Decker e os dados completos de nossos serviços de atendimento pós-venda na Internet no endereço: **www.2helpU.com**.

OUTRAS FERRAMENTAS PARA JARDIM

A Black & Decker possui uma grande variedade de ferramentas que facilitam o trabalho no jardim. Se desejar obter mais informações sobre os produtos a seguir mencionados, contacte o nosso Serviço a Clientes (veja a página de endereços no final deste manual) ou contacte o revendedor local da Black & Decker.

Aparadores	Electrosserras
Tesoura de relva	Corta-sebes
Corta-relvas	Vassouras para relvado
Aspiradores de folhas	Trituradores

Nem todos os produtos estão disponíveis em todos os países.

ΜΗΧΑΝΗ ΦΙΝΙΡΙΣΜΑΤΟΣ ΧΟΡΤΟΥ GL20

ΣΥΓΧΑΡΗΤΗΡΙΑ!

Εχετε επιλέξει ένα εργαλείο της Black & Decker. Στόχος μας είναι να σας προσφέρουμε εργαλεία ποιότητας σε προσιτές τιμές. Ευελπιστούμε ότι θα απολαύσετε τη χρήση αυτού του εργαλείου για πολλά χρόνια.

ΔΗΛΩΣΗ ΣΥΜΜΟΡΦΩΣΗΣ ΕΚ



GL20

Black & Decker δηλώνει ότι αυτά τα ηλεκτρικά εργαλεία σχεδιάστηκαν σύμφωνα με: 98/37/ΕΟΚ, 89/336/ΕΟΚ, 73/23/ΕΟΚ, EN 60335, EN 55014, EN 61000, 2000/14/ΕΟΚ, Μηχανή φινιρίσματος χόρτου, $L \leq 50 \text{ cm}$

Annex VIII, No. 00086

B.S.I., HP2 4SQ, Ηνωμένο Βασίλειο

Ανώτατο όριο ηχητικής πίεσης, μέτρηση κατά 2000/14/ΕΚ:

		GL20
L_{pA}	(ηχητική πίεση) dB(A)	81
L_{WA}	(ακουστική δύναμη) dB(A)	94
L_{WA}	(εγγυημένο προϊόν) dB(A)	96



Λάβετε τα ενδεδειγμένα μέτρα προστασίας σε περίπτωση που η ακουστική πίεση υπερβαίνει τα 85 dB(A).

Ο σταθμισμένος τετραγωνικός μέσος όρος επιτάχυνσης κατά 98/37/ΕΟΚ:

		GL20
		$< 2,5 \text{ m/s}^2$

Brian Cooke, Διευθυντής μηχανολογίας
Spennymoor, County Durham DL16 6JG,
United Kingdom

1-12-2001

ΕΝΔΕΔΕΙΓΜΕΝΗ ΧΡΗΣΗ

Η μηχανή φινιρίσματος χόρτου της Black & Decker έχει σχεδιαστεί για το φινίρισμα χόρτου και άκρων (μπορντούρα), καθώς και για την κοπή χόρτου σε περιορισμένους χώρους. Αυτό το εργαλείο για τον κήπο προορίζεται μόνο για ερασιτεχνική χρήση.

ΟΔΗΓΙΕΣ ΑΣΦΑΛΕΙΑΣ

Σύμβολα ασφαλείας

Στις παρούσες οδηγίες χρησιμοποιούνται τα ακόλουθα σύμβολα:



Συμβολίζει κίνδυνο τραυματισμού ή θανάτου ή βλάβης του εργαλείου σε περίπτωση που δεν τηρηθούν οι οδηγίες χρήσεως.



Συμβολίζει ηλεκτρική τάση.



Πριν χρησιμοποιήσετε το εργαλείο διαβάστε το παρόν εγχειρίδιο προσεκτικά.

Γνωρίζετε το εργαλείο



- ♦ **Προσοχή!** Κατά τη χρήση εργαλείων που τροφοδοτούνται με ηλεκτρικό ρεύμα, θα πρέπει πάντα να λαμβάνονται οι βασικές προφυλάξεις ασφαλείας, για τον περιορισμό του κινδύνου πυρκαγιάς, ηλεκτροπληξίας και σωματικών βλαβών.
- ♦ Πριν χρησιμοποιήσετε το εργαλείο διαβάστε προσεκτικά τις παρακάτω οδηγίες.
- ♦ Πριν χρησιμοποιήσετε το εργαλείο αυτό, βεβαιωθείτε ότι γνωρίζετε πώς να σβήσετε το εργαλείο σε περίπτωση έκτακτης ανάγκης.

- ◆ Η ενδεδειγμένη χρησιμοποίηση αναφέρεται σε αυτές τις οδηγίες χρήσεως. Τόσο η χρήση εξαρτημάτων ή προσθηκών όσο και η πραγματοποίηση εργασιών που δεν συνιστώνται στις οδηγίες αυτές εγκυμονεί κίνδυνο τραυματισμού.
- ◆ φυλάξτε τις οδηγίες καλά.

Χώρος εργασίας

- ◆ Μην εκθέτετε ηλεκτρικά εργαλεία σε υγρασία.
- ◆ Χρησιμοποιείτε το εργαλείο μόνο στο φως της ημέρας ή σε καλό τεχνητό φως.

Ατομική προστασία

- ◆ Φορέστε χοντρά υποδήματα ή μπότες, για να προστατέψετε τα πόδια σας. Μη χειρίζεστε το εργαλείο φορώντας ανοιχτές μπροστά σαγιονάρες ή ξυπόλητοι.
- ◆ Φορέστε μακριά παντελόνια για να προστατέψετε τα πόδια σας.

Χρήση του εργαλείου σας

- ◆ Όταν βάζετε την πρίζα, βεβαιωθείτε ότι ο διακόπτης του εργαλείου είναι κλειστός.
- ◆ Να είστε πάντα προσεκτικοί. Παρακολουθείτε την εργασία σας. Ενεργείτε λογικά.
- ◆ Μη χρησιμοποιείτε το εργαλείο όταν είστε κουρασμένος.
- ◆ Εάν το εργαλείο ξεκινήσει να κραδάζεται αφύσικα, σβήστε το και αφαιρέστε το φως από την πρίζα. Περιμένετε να σταματήσει η περιστροφή των κινητών μερών και επιθεωρήστε το εργαλείο για τυχόν ζημιές ή χαλαρωμένα εξαρτήματα.
- ◆ Ποτέ μην αποσυνδέετε τη συσκευή από την πρίζα τραβώντας το καλώδιό της. Φροντίστε το καλώδιο να παραμένει μακριά από τη θερμότητα, τα λάδια και από αιχμηρές ακμές.
- ◆ Εάν το καλώδιο τροφοδοσίας πάθει ζημιά κατά τη διάρκεια της χρήσης, σβήστε το εργαλείο και αφαιρέστε το φως από την πρίζα αμέσως.

Μην αγγίζετε το καλώδιο τροφοδοσίας πριν αφαιρέσετε το φως από την πρίζα.

Ασφάλεια τρίτων

- ◆ Μην επιτρέπετε σε μικρά παιδιά ή σε άτομα που δεν έχουν διαβάσει το εγχειρίδιο οδηγιών ή που δεν έχουν εξοικειωθεί με το εργαλείο να το χειριστούν.
- ◆ Μην επιτρέπετε σε παιδιά, επισκέπτες ή ζώα να πλησιάζουν στο χώρο εργασίας ή να αγγίζουν το εργαλείο ή το καλώδιο τροφοδοσίας.
- ◆ Να έχετε υπόψη σας η ευθύνη για ατυχήματα ή κινδύνους για τρίτους ή την παρουσία τρίτων μπορεί να καταλογιστεί στο χειριστή.

Μετά τη χρήση

- ◆ Σβήστε το εργαλείο, αφαιρέστε το φως από την πρίζα και βεβαιωθείτε ότι σταμάτησε η περιστροφή των κινητών μερών πριν αφήσετε το εργαλείο χωρίς χειριστή και πριν αλλάξετε, καθαρίσετε ή επιθεωρήσετε οποιαδήποτε τμήματα του εργαλείου.
- ◆ Όταν δεν χρησιμοποιείται, το εργαλείο πρέπει να φυλάσσεται σε ξηρό χώρο. Τα παιδιά δεν πρέπει να έχουν πρόσβαση σε αποθηκευμένα εργαλεία.

Επιθεώρηση και επισκευές

- ◆ Πριν από τη χρήση, ελέγξτε προσεκτικά το εργαλείο για κατεστραμμένα ή ελαττωματικά μέρη. Ελέγξτε για τυχόν κακή ευθυγράμμιση και εμπλοκή των κινούμενων μερών, για μέρη που έχουν σπάσει, για τυχόν ζημιές στους προφυλακτήρες και τους διακόπτες, και γενικά κάθε είδους συνθήκες οι οποίες ενδέχεται να επηρεάσουν τη λειτουργία του εργαλείου.
- ◆ Μη χρησιμοποιείτε το εργαλείο αν κάποιο εξάρτημά του παρουσιάζει ελάττωμα. Μη χρησιμοποιείτε το εργαλείο, εάν ο διακόπτης δεν μπορεί να το θέσει εντός ή εκτός λειτουργίας.
- ◆ Ποτέ μη χρησιμοποιείτε το εργαλείο όταν οποιοσδήποτε προφυλακτήρας ή περιβλήμα έχει καταστραφεί ή δεν είναι στη θέση του.
- ◆ Βεβαιωθείτε ότι το εργαλείο λειτουργεί κανονικά και χρησιμοποιείται για το σκοπό για τον οποίο προορίζεται.
- ◆ Φροντίστε για την επισκευή ή αντικατάσταση τυχόν ελαττωματικών εξαρτημάτων από εξουσιοδοτημένο κέντρο επισκευών.

- ◆ Πριν από τη χρήση, ελέγξτε προσεκτικά το καλώδιο τροφοδοσίας για σημάδια ζημιάς, παλαιώσης και φθοράς.
- ◆ Μη χρησιμοποιείτε το εργαλείο αν το καλώδιο τροφοδοσίας του έχει πάθει ζημιά ή παρουσιάζει ελάττωμα.
- ◆ Εάν το καλώδιο τροφοδοσίας είναι κατεστραμμένο, πρέπει να αντικατασταθεί από εξουσιοδοτημένο κέντρο επισκευής, ώστε να μην προκύψει κίνδυνος.
- ◆ Ποτέ μην επιχειρείτε να αφαιρέσετε ή να αντικαταστήσετε εξαρτήματα άλλα από αυτά που προσδιορίζονται σε αυτό το εγχειρίδιο.

Πρόσθετες οδηγίες ασφαλείας για μηχανές φινιρίσματος χόρτου

Πάνω στο εργαλείο υπάρχουν τα ακόλουθα προειδοποιητικά σύμβολα:



Κατά τη χρήση αυτού του εργαλείου, να φοράτε προστατευτικά γυαλιά.



Το νήμα κοπής θα συνεχίσει να κινείται για μερικά δευτερόλεπτα μετά από το σβήσιμο του εργαλείου. Ποτέ μην επιχειρήσετε να φρενάρτε βεβιασμένα το νήμα.



Φροντίστε τα άλλα άτομα καθώς και ζώα να βρίσκονται σε απόσταση τουλάχιστον 6 m από την περιοχή κοπής.



Μην αφήνετε το εργαλείο στη βροχή ή σε έντονη υγρασία.



Σβήστε το εργαλείο, αφαιρέστε το φις από την πρίζα και βεβαιωθείτε ότι σταμάτησε η περιστροφή των κινητών μερών πριν αφήσετε το εργαλείο χωρίς χειριστή και πριν αλλάξετε, καθαρίσετε ή επιθεωρήσετε οποιαδήποτε τμήματα του εργαλείου.

- ◆ Πριν χρησιμοποιήσετε το εργαλείο, βεβαιωθείτε ότι στη διαδρομή κοπής σας δεν υπάρχουν κλαδιά, πέτρες, σύρματα ή οποιοδήποτε άλλο εμπόδιο.

- ◆ Χρησιμοποιείτε το εργαλείο μόνο στη σωστή θέση, με το νήμα κοπής κοντά στο έδαφος, όπως απεικονίζεται. Ποτέ μην ανάβετε το εργαλείο αν βρίσκεται σε οποιαδήποτε άλλη θέση.
- ◆ Ανάψτε το εργαλείο μόνο όταν τα χέρια και τα πόδια βρίσκονται μακριά από το νήμα κοπής.
- ◆ Αποφύγετε τη σωματική επαφή με το νήμα κοπής όταν το εργαλείο είναι σε λειτουργία.
- ◆ Μην εργάζεστε σε έδαφος με απότομες κλίσεις. Βεβαιωθείτε ότι πατάτε καλά και σταθερά. Να έχετε υπόψη σας ότι το φρεσκοκομμένο χόρτο είναι υγρό και γλιστερό.
- ◆ Προσέχετε όταν κάνετε φινιρίσμα κοντά σε όρια και σε μονοπάτια ή δρόμους με χαλίκι, αφού το νήμα κοπής μπορεί να παρασύρει πέτρες και χώμα.
- ◆ Μην αφήνετε το εργαλείο στο έδαφος παρά μόνο εφόσον το νήμα κοπής έχει ακινητοποιηθεί εντελώς.
- ◆ Χρησιμοποιείτε μόνο νήμα κοπής κατάλληλου τύπου της Black & Decker. Ποτέ μη χρησιμοποιείτε μεταλλικό νήμα κοπής ή πετονιά.
- ◆ Αφού κάνετε προώθηση του νήματος κοπής, επιστρέψτε πάντα το εργαλείο στην κανονική του θέση λειτουργίας πριν το ανάψετε.
- ◆ Φροντίστε να διατηρείτε το καλώδιο τροφοδοσίας μακριά από το νήμα κοπής. Προσέχετε πάντα τη θέση του καλωδίου.

ΗΛΕΚΤΡΙΚΗ ΑΣΦΑΛΕΙΑ

Το εργαλείο είναι σχεδιασμένο να λειτουργεί σε μία και μόνο τάση. Ελέγχετε πάντοτε αν η τάση τροφοδοσίας αντιστοιχεί σε αυτήν που αναγράφεται στην πινακίδα στοιχείων του εργαλείου.



Αυτό το εργαλείο έχει σχεδιαστεί για χρήση μόνο με ηλεκτρική τροφοδοσία με εναλλασσόμενο ρεύμα (ρεύμα του δικτύου). Μην επιχειρείτε να το χρησιμοποιήσετε με διαφορετική ηλεκτρική τροφοδοσία.



Το εργαλείο σας φέρει διπλή μόνωση κατά EN 60335. Κατά συνέπεια δε χρειάζεται καλώδιο γείωσης.

- ♦ Αποφύγετε τη σωματική επαφή με γειωμένες ή συνδεδεμένες με το έδαφος επιφάνειες (π.χ. μεταλλικά κιγκλιδώματα, λάμπες κ.λπ.).
- ♦ Η ηλεκτρική ασφάλεια μπορεί να βελτιωθεί αν χρησιμοποιηθεί συσκευή παραμένοντος ρεύματος (RCD) υψηλής ευαισθησίας (30 mA/30 mS).

Χρήση καλωδίου επέκτασης

Χρησιμοποιείτε πάντα εγκεκριμένο καλώδιο επέκτασης για την ηλεκτρική τροφοδοσία αυτού του εργαλείου (δείτε την πινακίδα στοιχείων του εργαλείου). Το καλώδιο επέκτασης πρέπει να είναι κατάλληλο για χρήση σε εξωτερικό χώρο.

- ♦ Πριν από τη χρήση, επιθεωρήστε προσεκτικά το καλώδιο για σημάδια ζημιάς, φθοράς και παλαιώσης. Αντικαταστήστε το καλώδιο επέκτασης αν είναι κατεστραμμένο ή ελαττωματικό.
- ♦ Όταν χρησιμοποιείτε καρούλι καλωδίου, πάντα ξετυλίγετε τελείως το καλώδιο.
- ♦ Φροντίστε να διατηρείτε το καλώδιο τροφοδοσίας μακριά από το νήμα κοπής. Προσέχετε πάντα τη θέση του καλωδίου.

ΠΕΡΙΕΧΟΜΕΝΑ ΣΥΣΚΕΥΑΣΙΑΣ

Η συσκευασία περιέχει:

- 1 Μηχανή φινιρίσματος χόρτου
- 1 Προφυλακτήρας με βίδα στήριξης
- 1 Πακέτο με κομμάτια νήματος κοπής
- 1 Οδηγίες χρήσης

- ♦ Αφαιρέστε προσεκτικά από τη συσκευασία όλα τα κομμάτια.

ΓΕΝΙΚΗ ΠΕΡΙΓΡΑΦΗ (εικ. Α)

- 1 Διακόπτης on/off
- 2 Λαβή
- 3 Υποδοχή καλωδίου τροφοδοσίας
- 4 Προφυλακτήρας
- 5 Μηχανισμός συγκράτησης νήματος
- 6 Νήμα κοπής

ΣΥΝΑΡΜΟΛΟΓΗΣΗ



Πριν από τη συναρμολόγηση, βεβαιωθείτε ότι το εργαλείο είναι σβηστό και ότι το φως του δεν είναι στην πρίζα.

Τοποθέτηση του προφυλακτήρα (εικ. Β)

- ♦ Βγάλτε το εργαλείο από την πρίζα.
- ♦ Αφαιρέστε τη βίδα (7) από τον προφυλακτήρα (4).
- ♦ Τοποθετήστε τον προφυλακτήρα (4) στο εργαλείο, όπως φαίνεται στην εικόνα.
- ♦ Πιέστε καλά τον προφυλακτήρα μέχρι να κουμπώσει στη θέση του.
- ♦ Στερεώστε τον προφυλακτήρα με τη βίδα (7).



Ποτέ μη χρησιμοποιείτε το εργαλείο αν ο προφυλακτήρας δεν είναι σωστά τοποθετημένος στη θέση του.

Τοποθέτηση ενός νέου κομματιού νήματος κοπής (εικ. C & D)

Ο αντιπρόσωπός σας της Black & Decker διαθέτει ανταλλακτικά πακέτα με έτοιμα κομμένα κομμάτια νήματος κοπής (κωδικός A5995). Έχετε επίσης τη δυνατότητα να αγοράσετε ένα πακέτο που περιέχει 25 ή 40 μέτρα νήματος κοπής (A6170/A6171) και να κόψετε το νήμα σε κομμάτια μήκους 177 mm το καθένα. Το εργαλείο διαθέτει ένα ντουλαπάκι φύλαξης (9) για τα κομμάτια νήματος κοπής (εικ. C).

- ♦ Βγάλτε το εργαλείο από την πρίζα.
 - ♦ Αφαιρέστε τυχόν νήμα κοπής το οποίο έχει παραμείνει στο μηχανισμό συγκράτησης νήματος.
 - ♦ Αφαιρέστε από το μηχανισμό συγκράτησης νήματος τυχόν υπολείμματα ακαθαρσιών και χόρτου.
1. Τοποθετήστε το ένα άκρο ενός νέου κομματιού νήματος κοπής στην τρύπα (10).
 2. Οδηγήστε το νήμα κάτω από το κλιπ συγκράτησης (11) και τραβήξτε τη γραμμή μέχρι να κουμπώσει στη θέση της.
 3. Οδηγήστε το νήμα μέσα στις δύο εγχοπές (12) όπως εικονίζεται, και περάστε το νήμα μέσα από την οπή εξόδου (13).
- ♦ Βεβαιωθείτε ότι το νήμα έχει στερεωθεί καλά.



Χρησιμοποιείτε μόνο νήμα κοπής της Black & Decker διαμέτρου 1,5 mm.

Σύνδεση του εργαλείου στο ρεύμα (εικ. A & C)

- ◆ Συνδέστε το θηλυκό φισ ενός κατάλληλου καλωδίου επέκτασης στην υποδοχή καλωδίου τροφοδοσίας (3).
- ◆ Τυλίξτε το καλώδιο στο μηχανισμό συγκράτησης του καλωδίου (8), όπως φαίνεται στην εικόνα, ώστε να μην αποσυνδεθεί το καλώδιο επέκτασης κατά τη διάρκεια της χρήσης.
- ◆ Συνδέστε το φισ σε μια πρίζα ηλεκτρικού.



Το καλώδιο επέκτασης πρέπει να είναι κατάλληλο για χρήση σε εξωτερικό χώρο.

ΧΡΗΣΗ



Αφήστε το εργαλείο να λειτουργήσει στο δικό του ρυθμό και μην το υπερφορτώνετε.

Θέση εντός και εκτός λειτουργίας (εικ. A)

- ◆ Για να θέσετε σε λειτουργία το εργαλείο, πατήστε το διακόπτη on/off (1).
- ◆ Για να σβήσετε το εργαλείο, αφήστε το διακόπτη on/off.



Ποτέ μην επιχειρήσετε να ασφαλίσετε ένα διακόπτη σε θέση λειτουργίας (on).

Συμβουλές για άριστη χρήση

- ◆ Κρατήστε το εργαλείο όπως απεικονίζεται στην εικ. Ε.
- ◆ Εργαστείτε κινώντας τη μηχανή φινιρίσματος χόρτου από τη μία πλευρά στην άλλη, όπως απεικονίζεται στην εικ. Ε.
- ◆ Κατά την κοπή χόρτου μεγάλου ύψους, εργαστείτε σε πολλά διαδοχικά περάσματα ξεκινώντας από την κορυφή.
- ◆ Φροντίστε το εργαλείο να παραμένει μακριά από σκληρά αντικείμενα και από ευαίσθητα φυτά.
- ◆ Αν το εργαλείο αρχίσει να ζορίζεται και να κινείται με μικρή ταχύτητα, ελαττώστε το φορτίο του.

- ◆ Για να πετύχετε το καλύτερο δυνατό αποτέλεσμα κοπής, κόβετε το χόρτο μόνο όταν είναι στεγνό.
- ◆ Όταν φθαρεί το νήμα κοπής, αντικαταστήστε το.

ΣΥΝΤΗΡΗΣΗ

Αυτό το εργαλείο της Black & Decker έχει σχεδιαστεί έτσι ώστε να λειτουργεί για μεγάλο χρονικό διάστημα με την ελάχιστη δυνατή φροντίδα. Η αδιάλειπτη και κανονική λειτουργία του εξαρτάται από τη φροντίδα του εργαλείου και τον τακτικό καθαρισμό του.



Πριν από την εκτέλεση εργασιών συντήρησης στο εργαλείο, θα πρέπει να το σβήσετε και να το βγάλετε από την πρίζα.

- ◆ Καθαρίζετε τακτικά τις οπές εξαερισμού στο εργαλείο σας με μια βούρτσα με μαλακές τρίχες ή με ένα στεγνό πανί.
- ◆ Καθαρίζετε τακτικά το νήμα κοπής και το μηχανισμό συγκράτησης νήματος, χρησιμοποιώντας μαλακή βούρτσα ή στεγνό πανί.
- ◆ Χρησιμοποιείτε τακτικά μια ξύστρα, όχι κοφτερή, για να αφαιρέσετε το χόρτο και τις ακαθαρσίες από το κάτω μέρος του προφυλακτήρα.
- ◆ Ελέγχετε τακτικά το νήμα κοπής για τυχόν φθορές.



Μη χρησιμοποιείτε γυαλιστικά ή καθαριστικά με βάση διαλύτες.

ΕΝΤΟΠΙΣΜΟΣ ΚΑΙ ΑΠΟΚΑΤΑΣΤΑΣΗ ΠΡΟΒΛΗΜΑΤΩΝ

Αν το εργαλείο δείχνει να μη λειτουργεί κανονικά, ενεργήστε σύμφωνα με τις οδηγίες που ακολουθούν. Αν, παρ' όλα αυτά, το πρόβλημά σας δεν λυθεί, παρακαλούμε επικοινωνήστε με το εξουσιοδοτημένο σέρβις της Black & Decker της περιοχής σας.



Πριν συνεχίσετε, βγάλτε το εργαλείο από την πρίζα.

Το εργαλείο δεν ξεκινά

- ♦ Βεβαιωθείτε ότι έχουν συνδεθεί κανονικά τα καλώδια τροφοδοσίας.
- ♦ Ελέγξτε τις ηλεκτρικές ασφάλειες.

Το εργαλείο κάνει υπερβολικούς κραδασμούς

- ♦ Καθαρίστε προσεκτικά το μηχανισμό συγκράτησης νήματος.
- ♦ Βεβαιωθείτε ότι ο μηχανισμός συγκράτησης νήματος είναι καλά στερεωμένος κι ότι δεν έχει καταστραφεί. Αν χρειάζεται, φροντίστε για την επισκευή ή την αντικατάστασή του.
- ♦ Βεβαιωθείτε ότι έχει τοποθετηθεί νήμα κοπής και στερεωθεί καλά.
- ♦ Ελέγξτε το νήμα κοπής για τυχόν φθορές. Αντικαταστήστε το αν είναι απαραίτητο.

ΠΡΟΣΤΑΣΙΑ ΤΟΥ ΠΕΡΙΒΑΛΛΟΝΤΟΣ

Η Black & Decker δίνει τη δυνατότητα ανακύκλωσης των προϊόντων της που έχουν συμπληρώσει τη διάρκεια ζωής τους. Η υπηρεσία αυτή είναι δωρεάν. Αν θέλετε να χρησιμοποιήσετε την εν λόγω υπηρεσία, επιστρέψτε το προϊόν σας σε οποιοδήποτε εξουσιοδοτημένο κέντρο επισκευών, όπου θα το παραλάβουν εκ μέρους σας.

Ενημερωθείτε για το πλησιέστερο κέντρο επισκευών της περιοχής σας, επικοινωνώντας με τα γραφεία της Black & Decker στη διεύθυνση που αναγράφεται στο εγχειρίδιο. Επίσης, για να πληροφορηθείτε τα εξουσιοδοτημένα κέντρα επισκευών της Black & Decker και τις λεπτομέρειες και τους αρμόδιους των υπηρεσιών που παρέχονται μετά την πώληση, μπορείτε να ανατρέξετε στο Διαδίκτυο στη διεύθυνση: **www.2helpU.com**.

ΕΓΓΥΗΣΗ

Η Black & Decker είναι σίγουρη για την ποιότητα των προϊόντων της και παρέχει σημαντική εγγύηση. Η παρούσα γραπτή εγγύηση αποτελεί πρόσθετο δικαίωμά σας και δεν ζημιώνει τα συνταγματικά σας δικαιώματα.

Η εγγύηση ισχύει εντός της επικράτειας των Κρατών Μελών της Ευρωπαϊκής Ένωσης και της Ευρωπαϊκής Ζώνης Ελευθέρων Συναλλαγών.

Σε περίπτωση που κάποιο προϊόν της Black & Decker παρουσιάσει βλάβη εξαιτίας ελαττωματικών υλικών, ποιότητας εργασίας ή έλλειψης συμφωνίας με τις προδιαγραφές εντός 24 μηνών από την ημερομηνία αγοράς, η Black & Decker εγγυάται την αντικατάσταση των ελαττωματικών τμημάτων, την επισκευή προϊόντων που έχουν υποστεί εύλογη φθορά λόγω χρήσης ή την αντικατάσταση των προϊόντων προκειμένου να εξασφαλίσει την ελάχιστη ενόχληση στους πελάτες της, εκτός αν:

- ♦ Το προϊόν έχει χρησιμοποιηθεί σε εργασιακό, επαγγελματικό περιβάλλον ή αν έχει ενοικιαστεί
- ♦ Έχει γίνει εσφαλμένη χρήση του προϊόντος ή αν έχει παραμεληθεί
- ♦ Το προϊόν έχει υποστεί βλάβη από άλλα αντικείμενα, από ουσίες ή λόγω ατυχήματος
- ♦ Έχει γίνει προσπάθεια επισκευής από μη εξουσιοδοτημένα κέντρα επισκευών ή από προσωπικό που δεν ανήκει στο προσωπικό της Black & Decker

Για να ισχύσει η εγγύηση, πρέπει να υποβάλετε απόδειξη αγοράς στον πωλητή ή το εξουσιοδοτημένο κέντρο επισκευών. Ενημερωθείτε για το πλησιέστερο κέντρο επισκευών της περιοχής σας, επικοινωνώντας με τα γραφεία της Black & Decker στη διεύθυνση που αναγράφεται στο εγχειρίδιο. Επίσης, για να πληροφορηθείτε τα εξουσιοδοτημένα κέντρα επισκευών της Black & Decker και τις λεπτομέρειες και τους αρμόδιους των υπηρεσιών που παρέχονται μετά την πώληση, μπορείτε να ανατρέξετε στο Διαδίκτυο στη διεύθυνση: **www.2helpU.com**.

ΑΛΛΑ ΕΡΓΑΛΕΙΑ ΚΗΠΟΥ

Η Black & Decker διαθέτει μία πλήρη σειρά εργαλείων κήπου, τα οποία διευκολύνουν την εργασία σας στον κήπο. Για περισσότερες πληροφορίες σχετικά με τα προϊόντα που αναφέρονται παρακάτω, επικοινωνήστε με το Κέντρο Εξυπηρέτησης και Πληροφόρησης (στη διεύθυνση που αναφέρεται προς το τέλος αυτών των οδηγιών χρήσης) ή με το πλησιέστερο εξουσιοδοτημένο κατάστημα της Black & Decker.

Μηχανές φινιρίσματος χόρτου

Αλυσοπρίονα

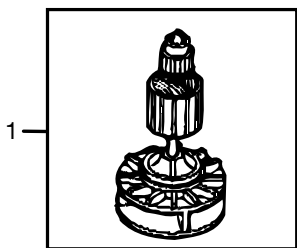
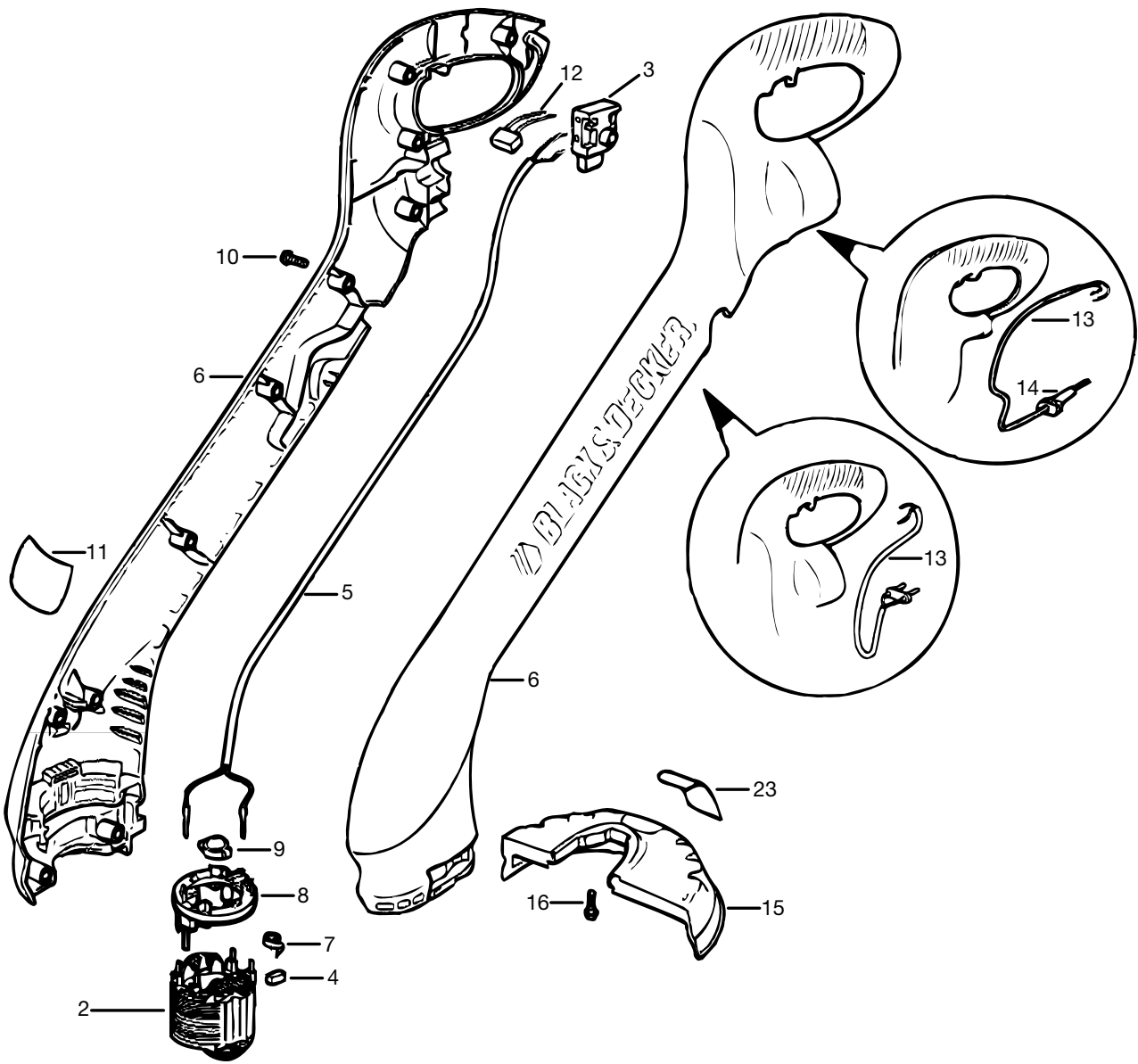
Φορτιζόμενα ψαλίδια

Χλοκοπτικές μηχανές

Απορροφητήρας/Φυσητήρας φύλλων

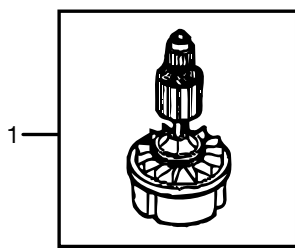
Σπαστήρας φύλλων/κλαδιών

Δεν είναι όλα τα προϊόντα διαθέσιμα σε όλες τις χώρες.

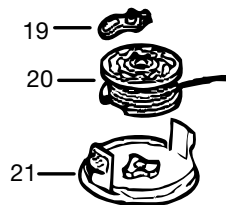
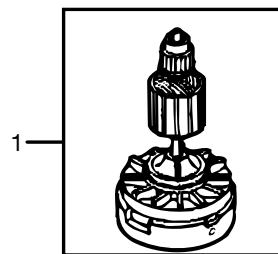


22

GL20S GL20SC



GL225/225S/225SC/225C



GL425/425S/425SC

Australia	DEWALT Industrial Power Tool Company 7 Clarice Road, Box Hill, Victoria 3128	Tel. 03 9895 9200 Fax 03 9899 7465
Belgique/België	Black & Decker (Belgium) N.V. Weihoek 1, 1930 Zaventem	Tel. 02/719.07.11 Fax 02/719.08.10
Danmark	Black & Decker Hejrevang 26B, 3450 Allerød Internet: www.blackdecker.dk	Tel. 70 20 15 10 Fax 48 14 13 99
Deutschland	Black & Decker GmbH Black & Decker Str. 40, D - 65510 Idstein	Tel. 06126/21 24 83 Fax 06126/21 26 01
Ελλάς	Black & Decker (Ελλάς) A.E. Στράβωνος 7 & Βουλιαγμένης 159 Γλυφάδα 16674, Ελλάδα	Τηλ. (01) 8981-616 Φαξ (01) 8983-570 Service (01) 8982-630
España	Black & Decker Spain Parque de Negocios "Mas Blau" Edificio Muntadas, c/Bergadá, 1, Of. A6 08820 El Prat de Llobregat (Barcelona)	Tel. 934 797 400 Fax 934 797 419
France	Black & Decker (France) S.A.S. B.P. 21, 69571 Dardilly Cédex	Tel. 04 72 20 39 20 Fax 04 72 20 39 00
Helvetia	Eduard Luggen Black & Decker-Service Schweiz Industriestrasse 1 / Postfach 323 8157 Dielsdorf	Tel. 01/854 01 01 Fax 01/854 02 02
Italia	Black & Decker Italia SpA Viale Elvezia 2 20052 Monza (MI)	Tel. 039-23871 Fax 039-2387592/2387594 Numero verde 800-213935
Nederland	Black & Decker (Nederland) BV Florijnstraat 10, 4879 AH Etten-Leur	Tel. 076-5082000 Fax 076-5038184
New Zealand	Black & Decker 81 Hugo Johnson Drive Penrose, Auckland, New Zealand	Tel. 09 579 7600 Fax 09 579 8200
Norge	Black & Decker (Norge) A/S Postboks 248, Leirdal, 1011 Oslo Internet: www.blackdecker.no	Tlf. 22 90 99 00 Fax 22 90 99 01
Österreich	Black & Decker Vertriebsges.m.b.H Erlaaerstraße 165, 1231 Wien	Tel. 01 66116-0 Fax 01 66116-14
Portugal	Black & Decker Rua Egas Moniz 173, 2766-651 S. João do Estoril	Tel. 214667500 Fax 214667575
South Africa	Black & Decker South Africa (Pty) Ltd Physical address: 146 Lechwe Street, Corporate park Randjiesfontein, Midrand Postal address: Postnet Suite 107, Private Bag X65 Halfway House 1685	Tel. (011) 653-1400 Fax (011) 653-1499
Suomi	Black & Decker Oy Palotie 3, 01610 Vantaa Black & Decker Oy, Brandvägen 3, 01610 Vanda	Puh: (09) 825 4540 Fax: (09) 825 45 444 Tel: (09) 825 4540 Fax: (09) 825 45 444
Sverige	Black & Decker AB Box 603, 421 26 Västra Frölunda, Besöksadr. Ekonomivägen 11	Tel: 031-68 60 00 Fax: 031-68 60 08
Türkiye	Black & Decker Merkez Servis Dudullu Cad. Kerembey Sok. No. 1 Küçükbakkalköy/Istanbul	Tel. 0216 455 89 73 Faks 0216 455 20 52
United Kingdom	Black & Decker 210 Bath Road Slough, Berkshire SL1 3YD	Tel. 01753 511234 Fax 01753 551155 Helpline 01753 574277

Dealer address
Händleradresse
Cachet du revendeur
Indirizzo del rivenditore
Adres van de dealer
Dirección del detallista
Morada do revendedor
Återförsäljarens adress
Forhandlerens adresse
Forhandler adresse
Jälleenmyyjän osoite
Διεύθυνση αντιπροσώπου

Date of purchase
Kaufdatum
Date d'achat
Data d'acquisto
Aankoopdatum
Fecha de compra
Data de compra
Inköpsdatum
Innkjøpsdato
Indkøbsdato
Ostopäivä
Ημερομηνία αγοράς

♦ Name ♦ Name ♦ Nom ♦ Nome
♦ Naam ♦ Nombre ♦ Nome ♦ Namn
♦ Navn ♦ Navn ♦ Nimi ♦ Oνομα:

♦ Is this tool a gift? ♦ Ist dieses Gerät ein Geschenk? ♦ S'agit-il d'un cadeau? ♦ Si tratta di un regalo? ♦ Kreeg u de machine als cadeau? ♦ ¿Ha recibido usted esta herramienta como regalo? ♦ Recebeu esta ferramenta como presente? ♦ Är verktyget en gåva? ♦ Er verkøyet en gave? ♦ Onko kone lahja? ♦ Το εργαλείο είναι δώρο?

verktøj? ♦ Onko tämä ensimmäinen B&D-koneesi? ♦ Είναι το εργαλείο αυτό η πρώτη σας αγορά?
 ♦ Yes ♦ Ja ♦ Oui ♦ Si ♦ Ja ♦ Sí
♦ Sim ♦ Ja ♦ Ja ♦ Ja ♦ Kyllä ♦ Nai
 ♦ No ♦ Nein ♦ Non ♦ No ♦ Nee
♦ No ♦ Não ♦ Nej ♦ Nei ♦ Nej
♦ Ei ♦ Oxi

♦ Address ♦ Adresse ♦ Adresse ♦
Indirizzo ♦ Adres ♦ Dirección ♦ Morada
♦ Address ♦ Adresse ♦ Adresse ♦ Osoite
♦ Διεύθυνση:

Dealer address ♦ Händleradresse
♦ Cachet du revendeur ♦ Indirizzo del rivenditore ♦ Adres van de dealer
♦ Dirección del detallista ♦ Morada do revendedor ♦ Återförsäljarens adress
♦ Forhandlerens adresse ♦ Forhandler adresse ♦ Jälleenmyyjän osoite
♦ Διεύθυνση αντιπροσώπου

♦ Town ♦ Ort ♦ Ville ♦ Città ♦ Plaats
♦ Ciudad ♦ Localidade ♦ Ort ♦ By ♦ By
♦ Paikkakunta ♦ Πόλη:

♦ Yes ♦ Ja ♦ Oui ♦ Si ♦ Ja ♦ Sí
♦ Sim ♦ Ja ♦ Ja ♦ Ja ♦ Kyllä ♦ Nai
 ♦ No ♦ Nein ♦ Non ♦ No ♦ Nee
♦ No ♦ Não ♦ Nej ♦ Nei ♦ Nej
♦ Ei ♦ Oxi

Is this tool your first purchase? ♦ Ist dieses Gerät ein Erstkauf? ♦ Est-ce un 1er achat? ♦ Questo prodotto è il suo primo acquisto? ♦ Is deze machine uw eerste aankoop? ♦ ¿Es esta herramienta la primera de este tipo? ♦ Esta ferramenta é a sua primeira compra? ♦ Är detta ditt första B&D-verktyg? ♦ Er dette ditt første B&D-verktøj? ♦ Er dette dit første B&D

♦ Postal code ♦ Postleitzahl ♦ Code postal ♦ Codice postale ♦ Postcode
♦ Código ♦ Código postal ♦ Postnr.
♦ Postnr. ♦ Postnr. ♦ Postnummero
♦ Κωδικός

♦ Venligst kryss av dersom du ikke ønsker informasjon. ♦ Venligst sæt kryds i ruden såfremt De ikke måtte ønske at modtage information.
♦ Merkitkää rasti ruutuun, mikäli ette halua vastaanottaa informaatiota.
♦ Παρακαλείστε να σημειώσετε εάν δεν θέλετε να πάρετε πληροφορίες.

Cat. no.:



- ◆ GUARANTEE CARD ◆ GARANTIEKARTE ◆ CARTE DE GARANTIE ◆ TAGLIANDO DI GARANZIA
- ◆ GARANTIEKAART ◆ TARJETA DE GARANTÍA ◆ CARTÃO DE GARANTIA ◆ GARANTIBEVIS
- ◆ GARANTI KORT ◆ GARANTI KORT ◆ TAKUUKORTTI ◆ ΚΑΡΤΑ ΕΓΓΥΗΣΗΣ

English

Please complete this section immediately after the purchase of your tool and send it to Black & Decker in your country. If you live in Australia or New Zealand, please register by using the alternative guarantee card supplied.

Español

Después de haber comprado su herramienta envíe usted, por favor, esta tarjeta a la central de Black & Decker en su país.

Deutsch

Bitte schneiden Sie diesen Abschnitt ab, stecken ihn in einen frankierten Umschlag und schicken ihn an die Black & Decker Adresse Ihres Landes.

Português

Por favor, recorte esta parte, coloque-a num envelope selado e endereçado e envie-o logo após a compra do seu produto para o endereço da Black & Decker do seu país.

Français

Découpez cette partie et envoyez-la sous enveloppe timbrée à l'adresse de Black & Decker dans votre pays, ceci immédiatement après votre achat.

Svenska

Var vänlig klipp ur denna del och sänd den i ett frankerat kuvert till Black & Deckers adress i Ditt land.

Italiano

Per favore ritagliate questa parte, inseritela in una busta con francobollo e spedite-la subito dopo l'acquisto del prodotto all'indirizzo della Black & Decker nella vostra nazione.

Dansk

Venligst klip denne del ud og send frankeret til Black & Decker i dit land.

Nederlands

Knip dit gedeelte uit en zend het direct na aankoop in een gefrankeerde, geadresseerde envelop naar het adres van Black & Decker in uw land.

Suomi

Leikkaa irti tämä osa, laita se kuoreen ja postita kuori paikalliseen Black & Decker osoitteeseen.

Ελληνικά

Παράκαλώ κόψετε αυτό το κομμάτι και ταχυδρομήσατε το μετέωσ, μετά την αγορά του προϊόντος σας στην διεύθυνση της Black & Decker στην Ελλάδα.