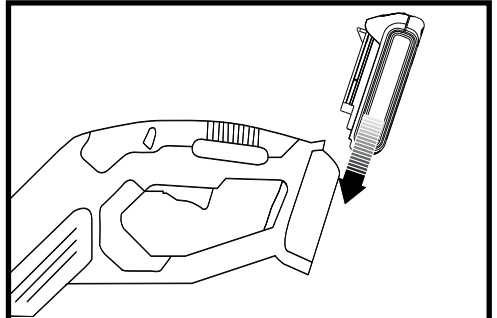
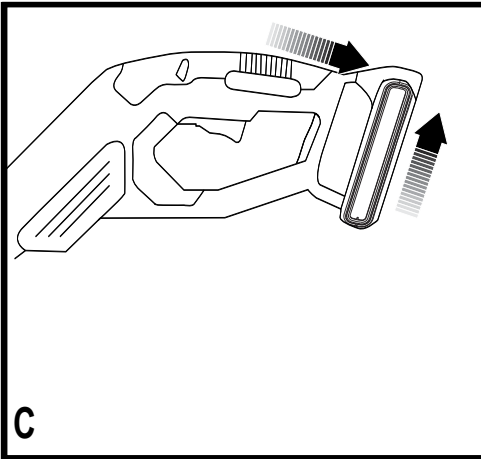


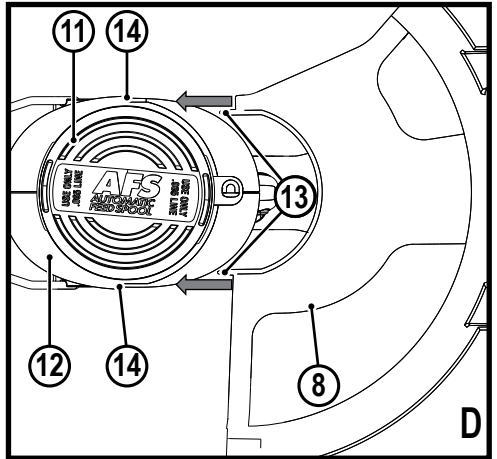
A



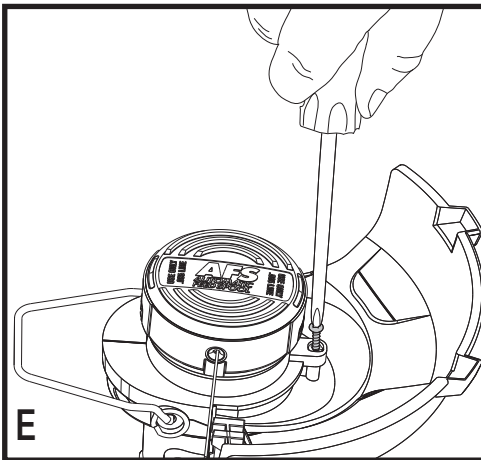
B



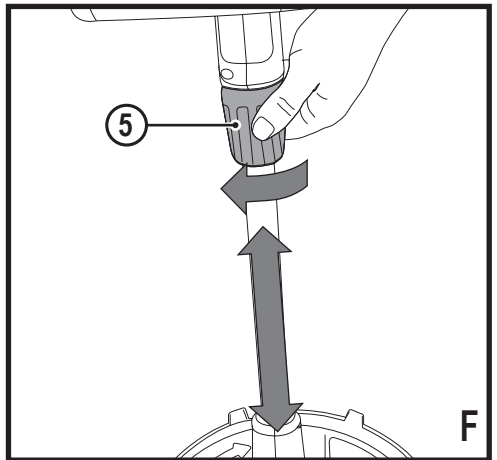
C



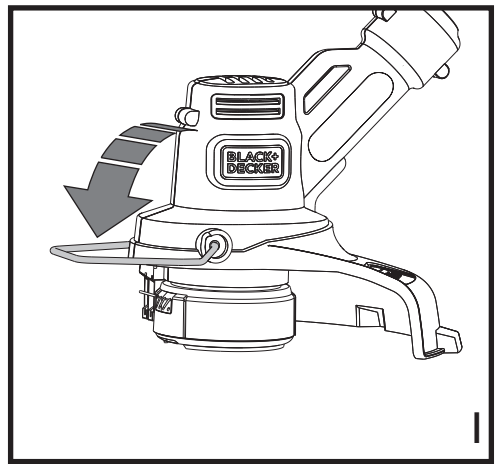
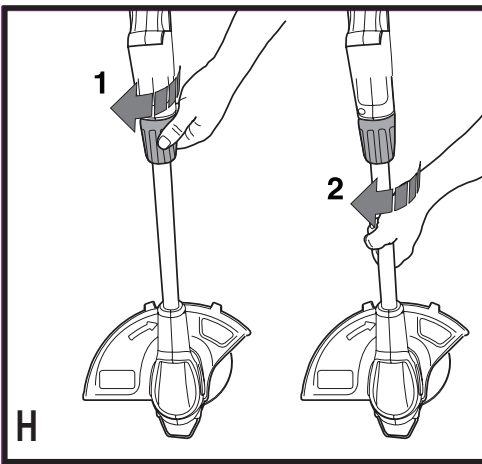
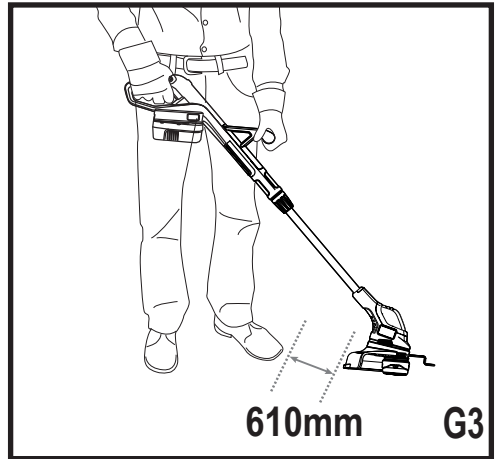
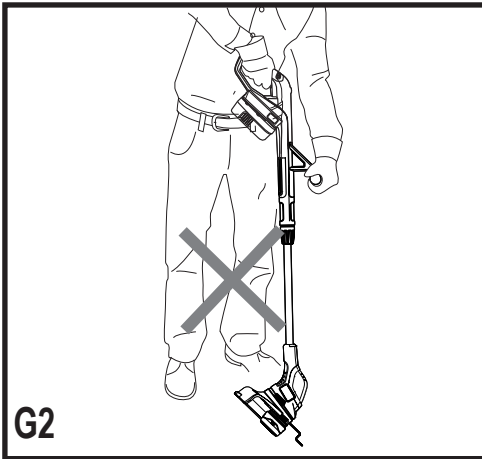
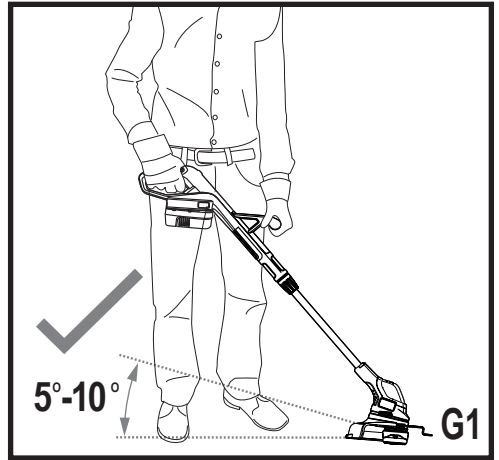
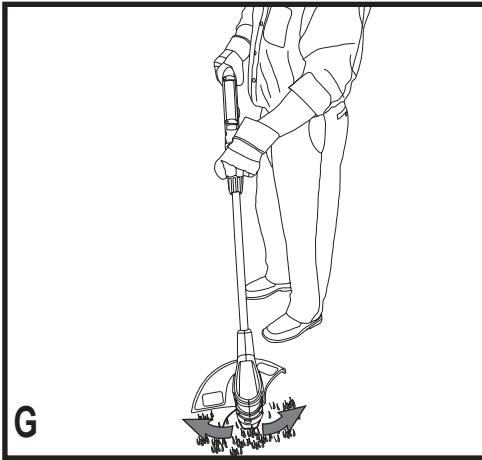
D

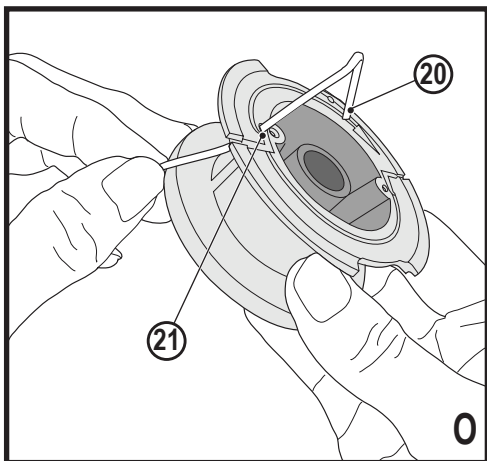
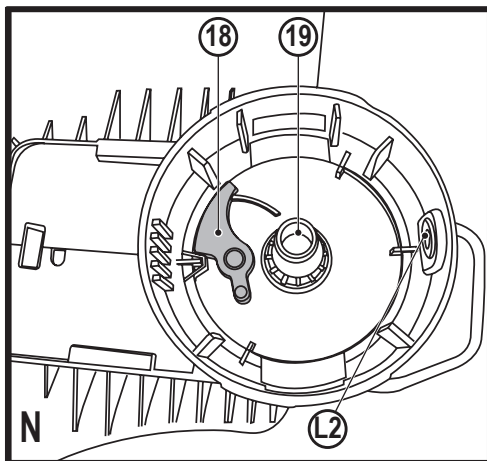
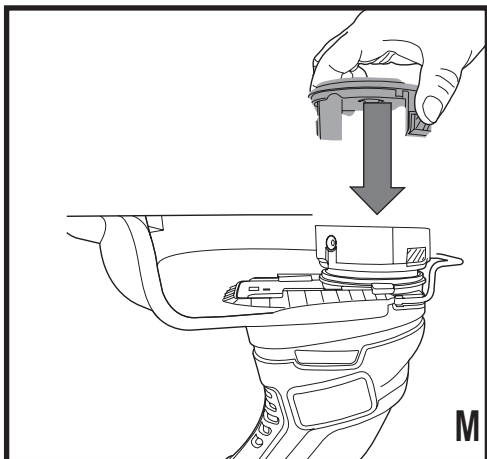
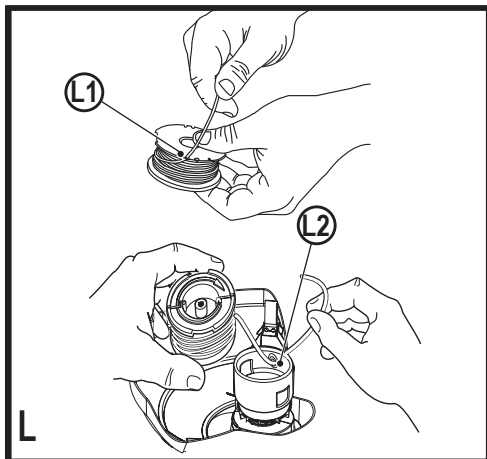
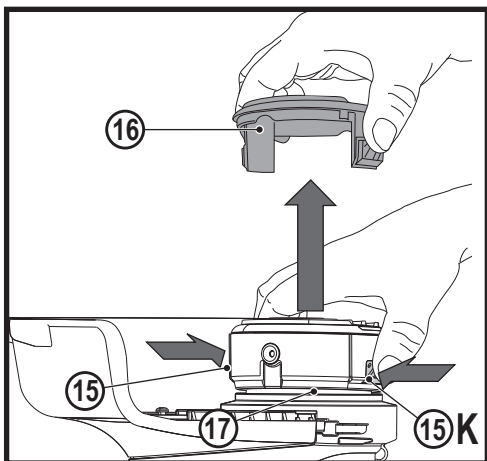
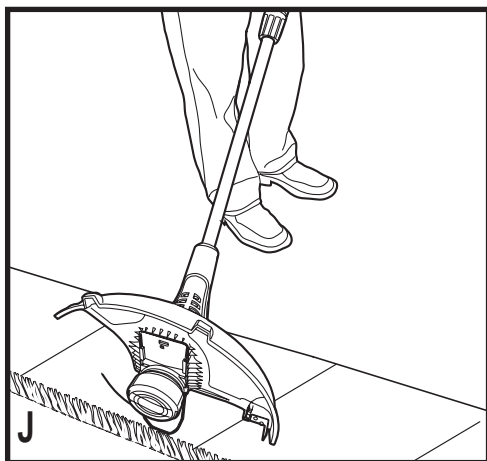


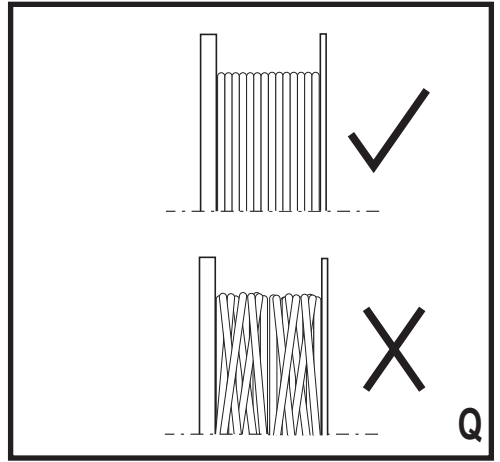
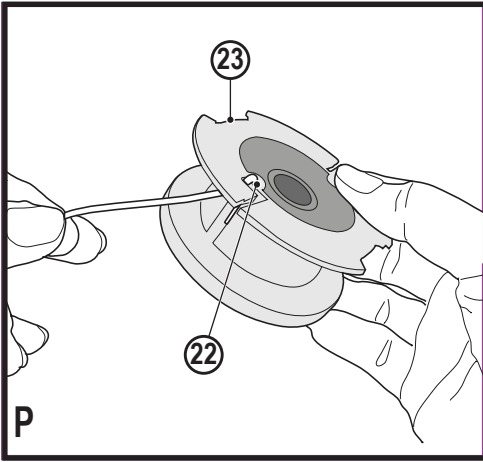
E



F







**Intended use**

Your BLACK+DECKER ST182320 trimmer has been designed for trimming and finishing lawn edges and to cut grass in confined spaces. This appliance is intended for consumer use only.

## Safety instructions

**Warning!** When using mains-powered appliances, basic safety precautions, including the following, should always be followed to reduce the risk of fire, electric shock, personal injury and material damage.

**Warning!** When using the machine the safety rules must be followed. For your own safety and bystanders please read these instructions before operating the machine. Please keep the instructions safe for later use.

- ◆ Read all of this manual carefully before operating the appliance.
- ◆ The intended use is described in this manual. The use of any accessory or attachment or the performance of any operation with this appliance other than those recommended in this instruction manual may present a risk of personal injury.
- ◆ Retain this manual for future reference.

## Using your appliance

Always take care when using the appliance.

- ◆ Always use safety glasses or goggles.
- ◆ Never allow children, persons with reduced physical, sensory or mental capabilities or lack of experience and knowledge or people unfamiliar with these instructions to use the machine, local regulations may restrict the age of the operator.

- ◆ Never operate the machine while people, especially children, or pets are nearby.
- ◆ Do not allow children or animals to come near the work area or to touch the appliance.
- ◆ Close supervision is necessary when the appliance is used near children.
- ◆ This appliance is not intended for use by young or infirm persons without supervision.
- ◆ This appliance is not to be used as a toy.
- ◆ Only use the appliance in daylight or good artificial light.
- ◆ Use in a dry location only. Do not allow the appliance to become wet.
- ◆ Avoid using the appliance in bad weather conditions, especially when there is a risk of lightning.
- ◆ Do not immerse the appliance in water.
- ◆ Do not open the body casing. There are not user-serviceable parts inside.
- ◆ Do not operate the appliance in explosive atmospheres, such as in the presence of flammable liquids, gases or dust.
- ◆ The appliance is only to be used with the power supply unit provided with the appliance.

## Residual risks

Additional residual risks may arise when using the tool which may not be included in the enclosed safety warnings.

These risks can arise from misuse, prolonged use etc.

Even with the application of the relevant safety regulations and the implementation of safety devices, certain residual risks can not be avoided.

These include:

- ◆ Injuries caused by touching any rotating/moving parts.
- ◆ Injuries caused when changing any parts, blades or accessories.
- ◆ Injuries caused by prolonged use of a tool. When using any tool for prolonged periods ensure you take regular breaks.
- ◆ Impairment of hearing.
- ◆ Health hazards caused by breathing dust developed when using your tool (example:- working with wood, especially oak, beech and MDF.)

## After use

- ◆ When not in use, the appliance should be stored in a dry, well ventilated place out of reach of children.
- ◆ Children should not have access to stored appliances.
- ◆ When the appliance is stored or transported in a vehicle it should be placed in the boot or restrained to prevent movement following sudden changes in speed or direction.

## Inspection and repairs

- ◆ Before use, check the appliance for damaged or defective parts. Check for breakage of parts and any other conditions that may affect its operation.
- ◆ Do not use the appliance if any part is damaged or defective.
- ◆ Have any damaged or defective parts repaired or replaced by an authorised repair agent.
- ◆ Never attempt to remove or replace any parts other than those specified in this manual.

## Safety of others

- ◆ This appliance can be used by children aged from 8 years and above and persons with reduced physical, sensory or mental capabilities or lack of experience and knowledge if they have been given supervision or instruction concerning use of the appliance in a safe way and understand the hazards involved.
- ◆ Children shall not play with the appliance. Cleaning and user maintenance shall not be made by children without supervision.

## Vibration

The declared vibration emission values stated in the technical data and the declaration of conformity have been measured in accordance with a standard test method provided by EN50636 and may be used for comparing one tool with another. The declared vibration emission value may also be used in a preliminary assessment of exposure.

**Warning!** The vibration emission value during actual use of the power tool can differ from the declared value depending on the ways in which the tool is used. The vibration level may increase above the level stated.

When assessing vibration exposure to determine safety measures required by 2002/44/EC to protect persons regularly using power tools in employment, an estimation of vibration exposure should consider, the actual conditions of use and the way the tool is used, including taking account of all parts of the operating cycle such as the times when the tool is

switched off and when it is running idle in addition to the trigger time.

## Additional safety instructions for grass trimmers

**Warning!** Cutting elements continue to rotate after the motor is switched off.

- ◆ Be familiar with the controls and the proper use of the appliance.
- ◆ Always remove the battery from the appliance whenever the appliance is unattended, before clearing a blockage, before cleaning and maintenance, after striking a foreign object.  
Or whenever the appliance starts vibrating abnormally.
- ◆ Wear stout shoes or boots to protect your feet.
- ◆ Wear long trousers to protect your legs.
- ◆ Before using the appliance, check that your cutting path is free from sticks, stones, wire and any other obstacles.
- ◆ Only use the appliance in the upright position, with the cutting line near the ground. Never switch the appliance on in any other position.
- ◆ Move slowly when using the appliance. Be aware that freshly cut grass is damp and slippery.
- ◆ Do not work on steep slopes. Work across the face of slopes, not up and down.
- ◆ Never cross gravel paths or roads while the appliance is running.
- ◆ Never touch the cutting line while the appliance is running.
- ◆ Do not put the appliance down until the cutting line has come to a complete standstill.

- ◆ Use only the appropriate type of cutting line. Never use metal cutting line or fishing line.
- ◆ Be careful not to touch the line trimming blade.
- ◆ Keep hands and feet away from the cutting line at all times, especially when switching on the motor.
- ◆ Before using the appliance and after any impact, check for signs of wear or damage and repair as necessary.
- ◆ Never operate the appliance with damaged guards or without guards in place.
- ◆ Take care against injury from any device fitted for trimming the filament line length. After extending new cutter line always return the machine to its normal operating position before switching on.
- ◆ Always ensure that the ventilation slots are kept clear of debris.

## Additional safety instructions for batteries and chargers

### Batteries

- ◆ Never attempt to open for any reason.
- ◆ Do not expose the battery to water.
- ◆ Do not store in locations where the temperature may exceed 40 °C.
- ◆ Charge only at ambient temperatures between 10 °C and 40 °C.
- ◆ Charge only using the charger provided with the tool.
- ◆ When disposing of batteries, follow the instructions given in the section "Protecting the environment".



## Chargers

- ◆ Use your BLACK+DECKER charger only to charge the battery in the tool with which it was supplied. Other batteries could burst, causing personal injury and damage.
- ◆ Never attempt to charge non-rechargeable batteries.
- ◆ Have defective cords replaced immediately.
- ◆ Do not expose the charger to water.
- ◆ Do not open the charger.
- ◆ Do not probe the charger.



The charger is intended for indoor use only.



Read the instruction manual before use.

## Electrical safety



Your charger is double insulated; therefore no earth wire is required. Always check that the mains voltage corresponds to the voltage on the rating plate. Never attempt to replace the charger unit with a regular mains plug.

- ◆ If the supply cord is damaged, it must be replaced by the manufacturer or an authorised BLACK+DECKER Service Centre in order to avoid a hazard.

## Labels on appliance

The following pictograms are shown on the tool along with the date code:



Read the manual prior to operation.



Wear safety glasses or goggles when operating this appliance.



Wear suitable ear protectors when operating this appliance.



Always remove the battery from the appliance before performing any cleaning or maintenance.



Beware of flying objects. Keep bystanders away from the cutting area.



Do not expose the appliance to rain or high humidity.



Directive 2000/14/EC guaranteed sound power.

## Features

This appliance includes some or all of the following features.

1. Trigger
2. Lock off button
3. Handle
4. Auxiliary handle
5. Height adjust collar
6. Trimmer head
7. Edge guide
8. Guard
9. Spool housing
10. Battery

## Charging the battery (Fig. A)

The battery needs to be charged before first use and whenever it fails to produce sufficient power on jobs that were easily done before.

The battery may become warm while charging; this is normal and does not indicate a problem.

**Warning!** Do not charge the battery at ambient temperatures below 10 °C or above 40 °C. Recommended charging temperature: approx. 24 °C.

**Note:** The charger will not charge a battery if the cell temperature is below approximately 10 °C or above 40 °C.

The battery should be left in the charger and the charger will begin to charge automatically when the cell temperature warms up or cools down.

- ◆ Plug the charger into an appropriate outlet before inserting the battery pack.
- ◆ Insert the battery pack into the charger.



The green LED will flash indicating that the battery is being charged.



The completion of charge is indicated by the green LED remaining on continuously. The pack is fully charged and may be used at this time or left in the charger.

**Warning!** Recharge discharged batteries as soon as possible after use or battery life may be greatly diminished.

### Charger diagnostics

This charger is designed to detect certain problems that can arise with the battery packs or the power source. Problems are indicated by one LED flashing in different patterns.

### Bad Battery



The charger can detect a weak or damaged battery. The red LED flashes in the pattern indicated on the label. If you see this bad battery blink pattern, do not continue to charge the battery. Return it to a service centre or a collection site for recycling.

### Hot/Cold Pack Delay



When the charger detects a battery that is excessively hot or excessively cold, it automatically starts a Hot/Cold Pack delay, suspending charging until the battery has normalised. After this happens, the charger automatically switches to the Pack Charging mode. This feature ensures maximum battery life. The red LED flashes in the pattern indicated on the label when the Hot/Cold pack delay is detected.

### Leaving the battery in the charger

The charger and battery pack can be left connected with the LED glowing indefinitely. The charger will keep the battery pack fresh and fully charged.

### Important charging notes

- ◆ Longest life and best performance can be obtained if the battery pack is charged when the air temperature is between 65°F and 75°F (18° - 24°C). DO NOT charge the battery pack in an air temperature below +40°F (+4.5°C), or above +105°F (+40.5°C). This is important and will prevent serious damage to the battery pack.
- ◆ The charger and battery pack may become warm to touch while charging. This is a normal condition, and does not indicate a problem. To facilitate the cooling of the battery pack after use, avoid placing the charger or battery pack in a warm environment such as in a metal shed, or an uninsulated trailer
- ◆ If the battery pack does not charge properly:
  - ◆ Check current at receptacle by plugging in a lamp or other appliance

- ◆ Check to see if receptacle is connected to a light switch which turns power off when you turn out the lights.
- ◆ Move charger and battery pack to a location where the surrounding air temperature is approximately 65°F - 75°F (18° - 24°C).
- ◆ If charging problems persist, take the appliance, battery pack and charger to your local service center.
- ◆ The battery pack should be recharged when it fails to produce sufficient power on jobs which were easily done previously. DO NOT CONTINUE to use under these conditions. Follow the charging procedure. You may also charge a partially used pack whenever you desire with no adverse affect on the battery pack.
- ◆ Foreign materials of a conductive nature such as, but not limited to, steel wool, aluminium foil, or any buildup of metallic particles should be kept away from charger cavities. Always unplug the charger from the power supply when there is no battery pack in the cavity. Unplug charger before attempting to clean.
- ◆ Do not freeze or immerse charger in water or any other liquid.

**Warning!** Shock hazard. Do not allow any liquid to get inside charger. Never attempt to open the battery pack for any reason.

If the plastic housing of the battery pack breaks or cracks, return to a service center for recycling.

### Installing and removing the battery pack from the appliance

**Warning!** Make certain the lock-off button is not engaged to prevent switch actuation before removing or installing battery.

#### To install battery pack

Insert battery (10) into appliance until an audible click is heard (Figure B). Ensure battery pack is fully seated and fully latched into position.

#### To remove battery pack

Depress the battery release button (11) as shown in Figure C and pull battery pack out of appliance.

### Assembly

**Warning!** Before assembly, make sure that the tool is switched off and the battery has been removed.

#### Assembly tools required (not supplied):

Phillips Screwdriver.

#### Fitting the guard (Fig. D, E)

**Warning!** Remove the battery from the appliance before attempting to attach the guard, edge guide or handle. Never operate appliance without guard firmly in place. The guard must always be on the appliance to protect the user.

- ◆ Remove the screw from the guard.
- ◆ Turn the trimmer upside down so that you are looking down at the spool cap (16).
- ◆ Turn the guard (8) upside down and slide it fully onto the motor housing (12). Make sure the tabs (13) on the guard slip into the holes (14) of the motor housing as shown in Figure D.
- ◆ Continue to slide the guard on until you hear it "snap" into place.

- ◆ Using a phillips screwdriver, insert the guard screw and tighten securely as shown in Figure E to complete the guard assembly.
- ◆ Once the guard is installed, remove the covering from the line cut-off blade, located on the edge of the guard.

**Warning!** Never use the tool unless the guard is properly fitted.

### Height adjustment (Fig. F, G–G3)

**Warning!** Adjust the length of the trimmer to obtain proper working positions shown in Figures G - G3.

- ◆ The overall height of the trimmer can be adjusted by loosening the height-adjust collar (5) and rotating it in the direction of the arrow shown in Figure F.
- ◆ Move the upper housing straight up or down. When the desired height is achieved, tighten the collar by rotating it opposite of the direction shown in Figure F.

### Releasing the cutting line

In transit, the cutting line is taped to the spool housing.

- ◆ Remove the tape holding the cutting line to the spool housing.

### Operation

**Warning!** Always use proper eye protection.

**Warning!** Before you begin trimming, only use the appropriate type of cutting line.

**Note:** Inspect area to be trimmed and remove any wire, cord, or string-like objects which could become entangled in the rotating line or spool. Be particularly careful to avoid any wire which might be bent outwardly into the path of the appliance, such as barbs at the base of a chain link fence.

### Switching on and off

- ◆ To switch the appliance on, push the lock-off button (2), and squeeze the trigger (1).
- ◆ To switch the appliance off, release the trigger.

### Operating the trimmer (Fig. F, G–G3)

- ◆ With the unit on, angle unit and slowly swing the trimmer side to side as shown in Figure G.
- ◆ Maintain a cutting angle of 5° to 10° as shown in Figure G1. Do not exceed 10° (Figure G2). Cut with the tip of the line. To keep distance from hard surfaces use edge guide (7).
- ◆ Maintain a minimum distance of 600mm between the guard and your feet as shown in Figure G3. To achieve this distance adjust the overall height of the trimmer as shown in Figure F.

### Convert to edging mode (Fig. H, I)

**Warning!** When being used as an Edger, stones, pieces of metal and other objects can be thrown out at high speed by the line. The trimmer and guard are designed to reduce the danger. However, **MAKE SURE** that other persons and pets are at least 30 m away. Optimum cutting results are achieved on edges deeper than 50 mm.

- ◆ Remove the battery from the trimmer.
- ◆ To operate as a maintenance edger, turn the collar (5) as shown in part 1 of Figure H.

- ◆ Hold the metal shaft and rotate the lower housing 180° as shown in part 2.
- ◆ Turn the collar until tight.
- ◆ Lift the edge guide (7) into the edging position as shown in Figure I.
- ◆ Position the trimmer above the surface as shown in Figure J.
- ◆ Return to the trimming position by loosening the lock collar and rotating the lower housing back 180°. Turn the collar until tight.

### Helpful cutting tips

- ◆ Use the tip of the string to do the cutting; do not force string head into uncut grass. Use edge guide along such things as fences, houses and flower beds for best practices.
- ◆ Wire and picket fences cause extra string wear, even breakage. Stone and brick walls, curbs, and wood may wear string rapidly.
- ◆ Do not allow spool cap to drag on ground or other surfaces.
- ◆ In long growth cut from the top down and do not exceed 300 mm high.
- ◆ Keep trimmer tilted toward the area being cut; this is the best cutting area. ◆ The trimmer cuts when passing the unit from the right to left. This will avoid throwing debris at the operator.
- ◆ Avoid trees and shrubs. Tree bark, wood moldings, siding, and fence posts can easily be damaged by the string.

### Cutting line / line feeding

Your trimmer uses 1.65 mm diameter, Round nylon line.

During use, the tips of the nylon lines will become frayed and worn and the special self feeding spool will automatically feed and trim a fresh length of line. Cutting line will wear faster and require more feeding if the cutting or edging is done along sidewalks or other abrasive surfaces or heavier weeds are being cut.

The advanced automatic line feeding mechanism senses when more cutting line is needed and feeds and trims the correct length of line whenever it's required. Do not bump unit on ground in attempt to feed line or for any other purposes.

### Clearing jams and tangled line (Fig. K, L, M)

**Warning!** Remove the battery from the trimmer before making any assembly, adjustments or changing accessories. Such preventive safety measures reduce the risk of starting the appliance accidentally. From time to time, especially when cutting thick or stalky weeds, the line feeding hub may become clogged with sap or other material and the line will become jammed as a result. To clear the jam, follow the steps listed below.

- ◆ Remove the battery from the trimmer.
- ◆ Press the release tabs (15) on the line spool cap (16), as shown in Figure K and remove the cap by pulling it straight off.
- ◆ Pull the nylon line spool out and clear any broken line or cutting debris from the spool area.
- ◆ Place spool and line into spool cap with line "parked" in slots provided as shown in Figure L1.

- ◆ Insert the line end through the appropriate hole in the spool housing. Pull slack line through until it pulls out of the holding slots as shown in Figure L2.
- ◆ Press the spool down gently and rotate it until you feel it drop into place and then push to snap into place. (When in place, the spool will turn a few degrees left and right freely).
- ◆ Take care to keep the line from becoming trapped under the spool.
- ◆ Align the spool cap tabs with the slots on the spool housing.
- ◆ Snap the spool cap back on as shown in Figure M by depressing lugs and pressing into spool housing.

**Note:** Make sure that cover is fully positioned, listen for two audible clicks to ensure both lugs are correctly located. Power the appliance on. In a few seconds or less you'll hear the nylon line being cut automatically to the proper length.

**Warning!** To avoid appliance damage, if the cutting line protrudes beyond the trimming blade, cut it off so that it just reaches the blade.

**Note:** Other replacement parts (guards, spool caps, etc.) are available through BLACK+DECKER service centers. To find your local service location visit [www.blackanddecker.com](http://www.blackanddecker.com).

**Warning!** The use of any accessory not recommended by BLACK+DECKER for use with this appliance could be hazardous.

### Replacing the spool (Fig. K, L, M, N)

- ◆ Remove battery from appliance.
- ◆ Depress the tabs (15) and remove the spool cap (16) from the spool housing (17) (Figure K).
- ◆ Grasp empty spool with one hand and spool housing with other hand and pull spool out.
- ◆ If lever (18) (Figure N) in base of housing becomes dislodged, replace in correct position before inserting new spool into housing.
- ◆ Remove any dirt and grass from the spool and housing.
- ◆ Unfasten the end of the cutting line and guide the line into the eyelet (L2) Figure L.
- ◆ Take the new spool and push it onto the boss (19) (Figure N) in the housing. Rotate the spool slightly until it is seated. The line should protrude approximately 136 mm from the housing.
- ◆ Align the tabs on the spool cap with the slots in the housing (Figure M).
- ◆ Push the cap onto the housing until it snaps securely into place.

### Rewinding spool from bulk line (Fig. O, P, Q)

Bulk line is also available for purchase from your local retailer. **Note:** Hand wound spools from bulk line are likely to become tangled more frequently than BLACK+DECKER factory wound spools. For best results, factory wound spools are recommended. To install bulk line, follow the steps below:

- ◆ Remove battery from appliance.
- ◆ Remove the empty spool from the appliance as described in "Replacing the spool."

- ◆ Remove any remaining cutting line from the spool.
- ◆ Make a fold at the end of the cutting line at about 19 mm (20). Feed the cutting line into one of the line anchoring slots (21) as shown in Figure O.
- ◆ Insert the 19 mm end of the bulk line into the hole (22) in the spool adjacent to the slot as shown in Figure P. Make sure the line is pulled tight against the spool as shown in Figure P.
- ◆ Wind the cutting line onto the spool in the direction of the arrow on the spool. Make sure to wind the line on neatly and in layers. Do not crisscross (Figure Q).
- ◆ When the wound cutting line reaches the recesses (23), cut the line (Figure P).
- ◆ Fit the spool onto the appliance as described in "Replacing the spool".

### Maintenance

Your BLACK+DECKER corded/cordless appliance/tool has been designed to operate over a long period of time with a minimum of maintenance. Continuous satisfactory operation depends upon proper tool/appliance care and regular cleaning.

Your charger does not require any maintenance apart from regular cleaning.

**Warning!** Before performing any maintenance on corded/cordless power tools:

- ◆ Switch off and unplug the appliance/tool.
- ◆ Or switch off and remove the battery from the appliance/tool if the appliance/tool has a separate battery pack.
- ◆ Or run the battery down completely if it is integral and then switch off.
- ◆ Unplug the charger before cleaning it. Your charger does not require any maintenance apart from regular cleaning.
- ◆ Regularly clean the ventilation slots in your tool/appliance and charger using a soft brush or dry cloth.
- ◆ Regularly clean the motor housing using a damp cloth. Do not use any abrasive or solvent-based cleaner.
- ◆ Regularly clean the cutting line and spool using a soft brush or dry cloth.
- ◆ Regularly use a blunt scraper to remove grass and dirt from the underneath of the guard.

## Troubleshooting

Problem	Solution
Appliance runs slowly.	<p>Remove battery from trimmer.</p> <p>Check that the spool housing can rotate freely. Carefully clean it if necessary.</p> <p>Check that the cutting line does not protrude more than approximately 122 mm from the spool. If it does, cut it off so that it just reaches the line trimming blade</p>
Automatic line feed does not feed line.	<p>More line is fed when the line shortens to approximately 76 mm. To determine if the line is not feeding, let line wear past this point.</p> <p>Keep the tabs depressed and remove the spoolcap with the spool from the spool housing in the trimmer head.</p> <p>Ensure that the line is not crisscrossed on the spool as detailed in (Fig. Q). If it is unwind the cutting line and rewind it neatly.</p> <p>Inspect tracks at the bottom of spool for damage. If damaged, replace spool.</p> <p>Pull the cutting line until it protrudes approximately 122 mm from the spool. If insufficient cutting line is left on the spool, install a new spool of cutting line.</p> <p>Align the tabs on the spool cap with the cut outs in the housing.</p> <p>Push the spool cap onto the housing until it snaps securely into place.</p> <p>If the cutting line protrudes beyond the trimming blade, cut it off so that it just reaches the blade. If the automatic line feed still does not work or the spool is jammed, try the following suggestions: Carefully clean the spool and housing.</p> <p>Make sure you are using correct line size and diameter (2.00 mm) - smaller and larger line sizes will affect the functionality of the auto feed system.</p> <p>Remove the spool and check if the lever in the spool housing can move freely.</p> <p>Remove the spool and unwind the cutting line, then wind it on neatly again. Replace the spool into the housing.</p>
Overfeeding	<p>Ensure you are cutting with the tip of the line 177 mm from the spool. Use the edge guide if needed to ensure proper space is maintained.</p> <p>Ensure you are not exceeding a 10° angle as shown in (Fig. G1).</p>
Line unravels when cap or spool is removed	<p>Make sure to park the lines in holding slots (Fig. L1) before removing.</p>

## Protecting the environment



Separate collection. Products and batteries marked with this symbol must not be disposed of with normal household waste.

Products and batteries contain materials that can be recovered or recycled reducing the demand for raw materials. Please recycle electrical products and batteries according to local provisions. Further information is available at [www.2helpU.com](http://www.2helpU.com)

## Technical data

		ST182320
Input Voltage	V <sub>ac</sub>	18
No-Load Speed	min <sup>1</sup>	9000
Weight	kg	2.05
Battery		BL2018
Voltage	V <sub>ac</sub>	18
Capacity	Ah	2.0
Type		Li-Ion
Charger		905902** (typ. 1)
Input Voltage	V <sub>ac</sub>	230
Output Voltage	V <sub>ac</sub>	18
Current	mA	400

Hand/arm weighted vibration value according to EN50636-2-91:

$$= < 3.6 \text{ m/s}^2, \text{ uncertainty (K) = } 1.5 \text{ m/s}^2.$$

L<sub>wa</sub> (sound pressure) 76 dB(A)

uncertainty (K) = 2.6 dB(A)

## EC declaration of conformity

MACHINERY DIRECTIVE  
OUTDOOR NOISE DIRECTIVE



ST182320 Cordless String Trimmer

Black & Decker declares that these products described under "technical data" are in compliance with: 2006/42/EC, EN60335-1:2012 + A11:2014 EN50636-2-91:2014

2000/14/EC, Lawn Trimmer, L ≤ 50 cm, Annex I  
DEKRA Certification B.V., Utrechtseweg 310,  
6802 ED Arnhem, The Netherlands  
Notified Body ID No.: 0344

Level of sound power according to 2000/14/EC  
(Article 12, Annex III, L ≤ 50 cm):  
L<sub>wa</sub> (measured sound power) 88 dB(A)  
uncertainty (K) = 2.6 dB(A)  
L<sub>wa</sub> (guaranteed sound power) 96 dB(A)

These products also comply with Directive 2014/30/EU and 2011/65/EU.

For more information, please contact Black & Decker at the following address or refer to the back of the manual.

The undersigned is responsible for compilation of the technical file and makes this declaration on behalf of Black & Decker.



R. Laverick  
Director of Engineering  
Black & Decker Europe, 210 Bath Road, Slough,  
Berkshire, SL1 3YD  
United Kingdom  
16/11/2016

### Guarantee

Black & Decker is confident of the quality of its products and offers consumers a 24 month guarantee from the date of purchase. This guarantee is in addition to and in no way prejudices your statutory rights. The guarantee is valid within the territories of the Member States of the European Union and the European Free Trade Area.

To claim on the guarantee, the claim must be in accordance with Black&Decker Terms and Conditions and you will need to submit proof of purchase to the seller or an authorised repair agent. Terms and conditions of the Black&Decker 2 year guarantee and the location of your nearest authorised repair agent can be obtained on the Internet at [www.2helpU.com](http://www.2helpU.com), or by contacting your local Black & Decker office at the address indicated in this manual.

Please visit our website [www.blackanddecker.co.uk](http://www.blackanddecker.co.uk) to register your new Black & Decker product and receive updates on new products and special offers.

### Verwendungszweck

Ihr BLACK+DECKER Rasentrimmer ST182320 wurde für das Trimmen und Zuschneiden von Rasenkanten sowie für das Schneiden von Gras in beengten Platzverhältnissen entwickelt. Dieses Gerät ist nicht für den gewerblichen Einsatz vorgesehen.

## Sicherheitshinweise

**Warnung!** Beachten Sie beim Umgang mit netzstrombetriebenen Geräten stets die grundlegenden Sicherheitshinweise, die im Folgenden beschrieben werden. Dadurch verhindern Sie Brände, Stromschläge sowie Sach- und Personenschäden.

**Warnung!** Beachten Sie beim Verwenden des Geräts unbedingt die Sicherheitsregeln. Lesen Sie zu Ihrer eigenen Sicherheit und zum Schutz in der Nähe befindlicher Personen vor Gebrauch des Geräts die folgende Bedienungsanleitung. Heben Sie diese Anleitung zur späteren Verwendung gut auf.

- ◆ Lesen Sie diese Anleitung vollständig und aufmerksam durch, bevor Sie das Gerät verwenden.
- ◆ Der vorgesehene Verwendungszweck ist in dieser Anleitung beschrieben. Bei Verwendung von Zubehör oder Anbauteilen, die nicht in dieser Anleitung empfohlen werden, sowie bei der Verwendung des Geräts in Abweichung von den in dieser Anleitung beschriebenen Verfahren besteht Verletzungsgefahr.
- ◆ Bewahren Sie diese Anleitung auf.

## Verwendung des Geräts

Verwenden Sie das Gerät stets mit Umsicht.

- ◆ Tragen Sie stets eine Schutzbrille.
- ◆ Lassen Sie diese Maschine niemals

von Personen mit eingeschränkten körperlichen, sensorischen oder geistigen Fähigkeiten oder mangelnder Erfahrung und Wissen in Bezug auf diese Anweisungen bedienen; örtliche Bestimmungen können das Alter des Benutzers einschränken.

- ◆ Es sollte stets ein Sicherheitsabstand zu anderen Personen, insbesondere Kindern, und Haustieren eingehalten werden.
- ◆ Achten Sie darauf, dass sich im Arbeitsbereich keine Kinder oder Tiere aufhalten. Verhindern Sie, dass Kinder das Gerät berühren.
- ◆ Seien Sie besonders vorsichtig, wenn Sie das Gerät in der Nähe von Kindern verwenden.
- ◆ Das Gerät ist nicht für die unbeaufsichtigte Verwendung durch Kinder oder gebrechliche Personen vorgesehen.
- ◆ Das Gerät ist kein Spielzeug.
- ◆ Betreiben Sie das Gerät nur bei Tageslicht oder bei ausreichender Beleuchtung.
- ◆ Verwenden Sie das Gerät nur in trockener Umgebung. Achten Sie darauf, dass das Gerät nicht nass wird.
- ◆ Vermeiden Sie, das Gerät bei schlechtem Wetter zu verwenden, vor allem, wenn das Risiko von Blitzen besteht.
- ◆ Tauchen Sie das Gerät nicht in Wasser.
- ◆ Versuchen Sie nicht, das Gehäuse zu öffnen. Im Inneren befinden sich keine zu wartenden Teile.
- ◆ Betreiben Sie das Gerät nicht in explosionsgefährdeter Umgebung, in der sich brennbare Flüssigkeiten, Gase oder Staub befinden.

- ◆ Das Gerät darf nur mit dem im Lieferumfang enthaltenen Netzteil betrieben werden.

## Restrisiken

Beim Gebrauch dieses Geräts verbleiben zusätzliche Restrisiken, die möglicherweise nicht in den Sicherheitswarnungen genannt werden. Diese Risiken bestehen beispielsweise bei Missbrauch oder längerem Gebrauch. Auch bei der Einhaltung der entsprechenden Sicherheitsvorschriften und der Verwendung aller Sicherheitsgeräte bestehen weiterhin bestimmte Restrisiken. Diese sind:

- ◆ Verletzungen, die durch das Berühren von sich drehenden/bewegenden Teilen verursacht werden.
- ◆ Verletzungen, die durch das Austauschen von Teilen, Sägeblättern oder Zubehör verursacht werden.
- ◆ Verletzungen, die durch längeren Gebrauch eines Geräts verursacht werden. Legen Sie bei längerem Gebrauch regelmäßige Pausen ein.
- ◆ Beeinträchtigung des Gehörs.
- ◆ Gesundheitsrisiken durch das Einatmen von Staub beim Gebrauch des Geräts (beispielsweise bei Holzarbeiten, insbesondere Eiche, Buche und Pressspan).

## Nach dem Gebrauch

- ◆ Bewahren Sie das Gerät bei Nichtgebrauch an einem trockenen, gut belüfteten Ort außerhalb der Reichweite von Kindern auf.
- ◆ Kinder sollten keinen Zugang zu aufbewahrten Geräten haben.

- ◆ Wenn das Gerät in einem Fahrzeug transportiert oder gelagert wird, bewahren Sie es im Kofferraum oder einer geeigneten Ablage auf, damit es bei plötzlichen Geschwindigkeits- oder Richtungsänderungen nicht in Bewegung geraten kann.

## Inspektion und Reparaturen

- ◆ Prüfen Sie das Gerät vor der Verwendung auf beschädigte oder defekte Teile. Prüfen Sie, ob Teile beschädigt sind oder andere Bedingungen vorliegen, die die Funktion beeinträchtigen können.
- ◆ Betreiben Sie das Gerät nicht, wenn ein Teil beschädigt oder defekt ist.
- ◆ Lassen Sie beschädigte oder defekte Teile in einer Vertragswerkstatt reparieren oder austauschen.
- ◆ Ersetzen oder entfernen Sie keine Teile, für die in dieser Anleitung keine entsprechende Beschreibung enthalten ist.

## Sicherheit anderer Personen

- ◆ Dieses Gerät darf von Kindern ab 8 Jahren und Personen mit eingeschränkten körperlichen, sensorischen oder geistigen Fähigkeiten sowie mangelnder Erfahrung und Wissen in Bezug auf dessen Gebrauch bedient werden, wenn sie bei der Verwendung des Geräts beaufsichtigt oder angeleitet werden und die möglichen Gefahren verstehen. Kinder dürfen nicht mit dem Gerät spielen. Reinigung und Wartungsarbeiten dürfen von Kindern nur unter Aufsicht durchgeführt werden.

- ◆ Kinder müssen beaufsichtigt werden, um sicherzustellen, dass sie nicht mit dem Gerät spielen.

## Vibration

Die in den Abschnitten "Technische Daten" und "EG-Konformitätserklärung" angegebenen Werte für die Vibrationsemission wurden mit einer Standard-Prüfmethode nach EN50636 ermittelt und können zum Vergleich verschiedener Geräte herangezogen werden. Außerdem kann mit Hilfe dieses Werts die Belastung bei Verwendung des Geräts schon im Voraus eingeschätzt werden.

**Achtung!** Die bei Verwendung des Geräts auftretende Vibrationsemission hängt von der Art des Gerätegebrauchs ab und kann dementsprechend von dem angegebenen Wert abweichen. Gegebenenfalls kann die Vibration über dem angegebenen Wert liegen. Für die Ermittlung der Vibrationsbelastung müssen die tatsächlichen Einsatzbedingungen und Verwendungen des Geräts während des gesamten Arbeitsgangs berücksichtigt werden, einschließlich der Zeiten, wenn das Gerät nicht verwendet oder im Leerlauf betrieben wird. Diese Werte werden benötigt, um die gemäß 2002/44/EG erforderlichen Sicherheitsmaßnahmen zum Schutz von Personen festlegen zu können.

## Zusätzliche Sicherheitshinweise für Rasentrimmer

**Warnung!** Die Schneidevorrichtung rotiert nach Abschalten des Geräts einige Sekunden lang weiter.



- ◆ Machen Sie sich mit den Bedienelementen und dem ordnungsgemäßen Gebrauch des Geräts vertraut.
- ◆ Entfernen Sie den Akku aus dem Gerät, wenn das Gerät unbeaufsichtigt ist, bevor eine Blockierung, vor Reinigungs- und Wartungsarbeiten, nachdem ein Fremdkörper oder wenn das Gerät startet abnormal vibriert.
- ◆ Tragen Sie stabile Schuhe oder Stiefel, um Ihre Füße zu schützen.
- ◆ Tragen Sie lange Hosen, um Ihre Beine zu schützen.
- ◆ Vergewissern Sie sich vor Verwenden des Geräts, dass die zu beschneidende Fläche frei von Ästen, Steinen, Draht und anderen Objekten ist.
- ◆ Verwenden Sie das Gerät ausschließlich in aufrechter Stellung und mit Schneidfaden in Bodennähe. Schalten Sie das Gerät keinesfalls in einer anderen Stellung ein.
- ◆ Achten Sie bei Verwendung des Geräts auf langsame Bewegungen. Bedenken Sie, dass frisch gemähtes Gras feucht und rutschig sein kann.
- ◆ Arbeiten Sie nie an steilen Hängen. Schieben Sie das Gerät immer parallel zum Hang, nie den Hang hinauf oder hinunter.
- ◆ Schalten Sie das Gerät vor dem Überqueren von Kieswegen und Straßen aus.
- ◆ Berühren Sie niemals den Schneidfaden, während sich das Gerät in Betrieb befindet.
- ◆ Warten Sie stets, bis der Schneidfaden vollständig zum Stillstand gekommen ist, bevor Sie das Gerät absetzen.
- ◆ Verwenden Sie ausschließlich geeignete Schneidfäden. Verwenden Sie keinesfalls Schneidfäden aus Metall oder Angelschnur.
- ◆ Berühren Sie auf keinen Fall das Fadenschneidmesser.
- ◆ Halten Sie Hände und Füße stets vom Schneidfaden fern, insbesondere beim Einschalten des Geräts.
- ◆ Überprüfen Sie das Gerät vor Gebrauch und nach Stößen auf Beschädigungen und Verschleiß, und veranlassen Sie notwendige Reparaturmaßnahmen.
- ◆ Betreiben Sie keinesfalls das Gerät, wenn die Schutzvorrichtungen beschädigt oder nicht ordnungsgemäß angebracht sind.
- ◆ Schützen Sie sich vor Verletzungen beim Verwenden von Geräten zum Verkürzen des Schneidfadens. Bringen Sie nach Herausziehen des neuen Schneidfadens das Gerät vor dem Einschalten in die normale Betriebsposition.
- ◆ Stellen Sie stets sicher, dass die Lüftungsschlitze frei von Verschmutzungen sind.

## **Zusätzliche Sicherheitshinweise für Akkus und Ladegeräte**


### **Akkus**


- ◆ Keinesfalls versuchen, den Akku zu öffnen.
- ◆ Achten Sie darauf, dass der Akku nicht mit Wasser in Berührung kommt.
- ◆ Nicht bei Temperaturen über 40 °C lagern.
- ◆ Laden Sie den Akku nur bei Umgebungstemperaturen von 10 °C bis 40 °C auf.

- Verwenden Sie ausschließlich das mitgelieferte Ladegerät.
- Beachten Sie zur Entsorgung von Akkus oder Batterien die Hinweise im Abschnitt „Umweltschutz“.


## Ladegeräte

- Verwenden Sie das BLACK+DECKER Ladegerät nur für den Akku des Werkzeugs, mit dem es geliefert wurde. Andere Akkus können platzen und Sachschäden oder Verletzungen verursachen.
- Versuchen Sie keinesfalls, nicht aufladbare Batterien zu laden.
- Lassen Sie beschädigte Kabel sofort austauschen.
- Achten Sie darauf, dass das Ladegerät nicht mit Wasser in Berührung kommt.
- Versuchen Sie nicht, das Ladegerät zu öffnen.
- Nehmen Sie am Ladegerät keine Veränderungen vor.

 Das Ladegerät darf nur im Innenbereich verwendet werden.

 Vor Gebrauch die Anleitung lesen.

## Elektrische Sicherheit

 Das Ladegerät ist schutzisoliert, daher ist keine Erdleitung erforderlich. Stellen Sie sicher, dass die Netzspannung der auf dem Typenschild des Geräts angegebenen Spannung entspricht. Ersetzen Sie das Ladegerät keinesfalls durch ein normales Netzkabel.

- Bei einer Beschädigung des Netzkabels muss dieses durch den Hersteller oder eine BLACK+DECKER Vertragswerkstatt ausgetauscht werden, um mögliche Gefahren zu vermeiden.

## Warnsymbole am Gerät

Die folgenden Warnsymbole sind am Gerät inkl. Datumscode angebracht:



Lesen Sie vor Inbetriebnahme die Bedienungsanleitung.



Tragen Sie eine Schutzbrille, wenn Sie mit dem Gerät arbeiten.



Tragen Sie einen geeigneten Gehörschutz, wenn Sie mit dem Gerät arbeiten.



Entfernen Sie den Akku aus dem Gerät, bevor Reinigungs- oder Wartungsarbeiten durchgeführt werden.



Achten Sie auf Gegenstände, die eventuell umhergeschleudert werden. Halten Sie andere Personen von der Schneidzone fern



Schützen Sie das Gerät vor Feuchtigkeit und Regen.



Garantierter Schalldruckpegel, gemessen nach Richtlinie 2000/14/EG.

## Merkmale

Dieses Gerät verfügt über einige oder alle der folgenden Merkmale:

1. Abzug
2. Einschaltsperr
3. Griff
4. Zusatzgriff
5. Stelling für die Höhenanpassung

6. Trimmerkopf
7. Schnittführung
8. Schutzhaube
9. Spulengehäuse
10. Akku

### Laden des Akkus (Abb. A)

Der Akku muss vor der erstmaligen Benutzung sowie immer dann aufgeladen werden, wenn das Gerät nicht mehr mit voller Leistung arbeitet.

Der Akku kann sich während des Aufladens erwärmen. Das ist normal und deutet nicht auf ein Problem hin.

**Warnung!** Laden Sie den Akku nicht, wenn die Umgebungstemperatur unter 10 °C oder über 40 °C liegt. Empfohlene Ladetemperatur: ca. 24 °C.

**Hinweis:** Ein Akku, bei dem die Temperatur der Akkuzellen unter ca. 10 °C oder über 40 °C liegt, wird vom Ladegerät nicht geladen.

Lassen Sie in diesem Fall den Akku im Ladegerät. Das Ladegerät beginnt automatisch mit dem Ladevorgang, sobald sich die Zellen erwärmt bzw. abgekühlt haben.

- ◆ Stecken Sie das Ladegerät in eine geeignete Steckdose ein, bevor Sie den Akku einsetzen.
- ◆ Setzen Sie den Akku in das Ladegerät ein.



Die grüne LED blinkt, wenn der Akku geladen wird.



Der Abschluss des Ladevorgangs wird dadurch angezeigt, dass die grüne LED dauerhaft leuchtet. Der Akku ist vollständig aufgeladen und kann jetzt verwendet oder in der Ladestation gelassen werden.

**Warnung!** Laden Sie entladene Akkus so bald wie möglich nach dem Gebrauch wieder auf, da sonst die Batterielebensdauer stark verringert werden kann.

### Diagnose des Ladegeräts

Das Ladegerät ist so konzipiert, dass es bestimmte Probleme erkennen kann, die am Akku oder der Stromquelle auftreten können. Probleme werden dadurch angezeigt, dass eine LED in verschiedenen Sequenzen blinkt.

### Defekter Akku



Das Ladegerät kann einen schwachen oder beschädigten Akku erkennen. Die rote LED blinkt mit dem Muster, das auf dem Etikett angegeben ist. Wenn das Blinkmuster für einen defekten Akku zu sehen ist, laden Sie den Akku nicht weiter auf. Bringen Sie ihn zu einem Kundendienstzentrum oder einer Recycling-Sammelstelle.

### Verzögerung heißer/kalter Akku



Wenn das Ladegerät erkennt, dass ein Akku übermäßig heiß oder kalt ist, startet es automatisch eine "Verzögerung heißer/kalter Akku", bis sich der Akku normalisiert hat. Danach schaltet das Ladegerät automatisch in den Akku-Lademodus. Diese Funktion gewährleistet eine maximale Lebensdauer des Akkus. Die rote LED blinkt mit dem Muster, das auf dem Etikett angegeben ist, wenn die "Verzögerung heißer/kalter Akku" erkannt wird.

### Belassen des Akkus im Ladegerät

Sie können den Akku auch im Ladegerät belassen. In diesem Fall leuchtet die LED-Anzeige dauerhaft. Das Ladegerät hält den Akku in einem vollständig geladenen Zustand.

### Wichtige Hinweise zum Aufladen

- ◆ Die längste Lebensdauer und beste Leistung wird erhalten, wenn der Akku bei einer Lufttemperatur zwischen 18° und 24°C aufgeladen wird. Laden Sie den Akku NICHT bei einer Umgebungstemperatur unter +4,5°C oder über +40,5°C auf. Dies ist wichtig und verhindert schwere Schäden am Akku.
- ◆ Das Ladegerät und der Akku können sich während des Ladevorgangs warm anfühlen. Dies ist ein normaler Zustand und weist nicht auf ein Problem hin. Um das Abkühlen des Akkus nach dem Gebrauch zu erleichtern, platzieren Sie das Ladegerät und den Akku nicht in einer warmen Umgebung, wie beispielsweise in einem Metallschuppen oder einem nicht isolierten Wohnwagen
- ◆ Wenn der Akku nicht richtig aufgeladen wird:
  - ◆ Prüfen Sie, ob die Steckdose unter Spannung steht, indem Sie eine Lampe oder ein anderes Gerät an die Steckdose anschließen.
  - ◆ Überprüfen Sie, ob die Steckdose mit einem Lichtschalter verbunden ist, der auch das Gerät ausschaltet, wenn das Licht ausgeschaltet wird.
  - ◆ Bringen Sie Ladegerät und Akku an einen Ort, wo die Umgebungstemperatur ca. 18°-24°C beträgt.
  - ◆ Wenn die Ladeprobleme bestehen bleiben, bringen Sie Gerät, Akku und Ladegerät zu Ihrer lokalen Vertragswerkstatt.
- ◆ Der Akku sollte aufgeladen werden, wenn das Gerät nicht mehr die volle Leistung bringt. Betreiben Sie das Werkzeug in diesem Fall NICHT WEITER. Befolgen Sie die Anweisungen bezüglich des Aufladens. Sie können auch jederzeit einen teilweise entleerten Akku aufladen, ohne dass dies nachteilige Auswirkungen auf den Akku hat.
- ◆ Leitfähige Fremdmaterialien, z.B. unter anderem Stahlwolle, Alufolie oder angesammelte Metallpartikel, sollten von Hohlräumen des Ladegeräts ferngehalten werden. Ziehen Sie den Netzstecker des Ladegerätes immer aus der Steckdose, wenn kein Akku in der Vertiefung steckt. Ziehen Sie den Netzstecker des Ladegerätes vor dem Reinigen aus der Steckdose.

- ◆ Gerät keinem Spritzwasser aussetzen oder in Wasser oder andere Flüssigkeiten tauchen.

**Warnung!** Stromschlaggefahr. Keine Flüssigkeiten in das Ladegerät gelangen lassen. Keinesfalls versuchen, den Akku zu öffnen.

Wenn das Kunststoffgehäuse des Akkus Brüche oder Risse aufweist, bringen Sie es zum Recycling zu einer Vertragswerkstatt.

### Anbringen und Entfernen des Akkus

**Warnung!** Der Verriegelungsknopf muss eingerastet sein, damit keine unbeabsichtigte Bedienung des Ein-/Aus-Schalters vor dem Anbringen bzw. Entfernen des Akkus erfolgen kann.

### Anbringen des Akkus

Setzen Sie den Akku (10) in das Gerät ein, bis ein Klicken zu hören ist (Abbildung B). Stellen Sie sicher, dass der Akku vollständig eingesetzt und eingerastet ist.

### Entfernen des Akkus

Drücken Sie den Akku-Löseknopf (11) wie in Abbildung C gezeigt und ziehen Sie den Akku aus dem Gerät.

### Montage

**Warnung!** Vergewissern Sie sich vor der Montage, dass das Gerät ausgeschaltet ist und der Akku entfernt wurde.

**Erforderliche Montagewerkzeuge (nicht mitgeliefert):**  
Kreuzschlitzschraubendreher.

### Montage der Schutzvorrichtung (Abb. F, G–G3)

**Warnung!** Nehmen Sie den Akku aus dem Gerät, bevor Sie die Schutzvorrichtung, die Schnittführung oder den Griff anbringen. Betreiben Sie das Gerät niemals, wenn die Schutzvorrichtung nicht fest angebracht wurde. Zum Schutz des Benutzers muss die Schutzvorrichtung immer am Gerät angebracht sein.

- ◆ Entfernen Sie die Schraube von der Schutzvorrichtung.
- ◆ Drehen Sie den Trimmer um, sodass Sie auf den Spulendeckel (16) schauen.
- ◆ Drehen Sie die Schutzvorrichtung (8) mit der Oberseite nach unten und schieben Sie sie vollständig auf das Motorgehäuse (12). Die Laschen (13) an der Schutzeinrichtung müssen wie in Abbildung D gezeigt in die Löcher (14) des Motorgehäuses eingeführt werden.
- ◆ Schieben Sie die Schutzvorrichtung weiter, bis die Verriegelungslasche hörbar einrastet.
- ◆ Bringen Sie zum Abschluss die Schraube der Schutzvorrichtung mit einem Kreuzschlitzschraubendreher wieder wie in Abbildung E gezeigt an und ziehen Sie sie fest.
- ◆ Nach Anbringen der Schutzvorrichtung entfernen Sie die Abdeckung des Trennmessers für den Schneidfaden, dass sich am Rand der Schutzvorrichtung befindet.

**Warnung!** Verwenden Sie das Gerät ausschließlich mit ordnungsgemäß angebrachter Schutzvorrichtung.

### Höheneinstellung (Abb. F, G–G3)

**Warnung!** Stellen Sie die Länge des Trimmers so ein, dass die ordnungsgemäße Arbeitsposition erreicht wird, siehe Abbildung G - G3.

- ◆ Die Gesamthöhe des Trimmers kann durch Lösen des Stellrings für die Höhenanpassung (5) und Drehen in die Pfeilrichtung gemäß Abbildung F eingestellt werden.
- ◆ Bewegen Sie das obere Gehäuse gerade nach oben oder unten. Wenn die gewünschte Höhe erreicht ist, ziehen Sie den Stellring durch Drehen in die entgegengesetzte Richtung, die in Abbildung F gezeigt wird, fest.

### Freigeben des Schneidfadens

Während des Transports ist der Schneidfaden mit Klebeband am Spulengehäuse befestigt.

- ◆ Entfernen Sie das Klebeband, mit dem der Schneidfaden am Spulengehäuse befestigt ist.

### Betrieb

**Warnung!** Tragen Sie immer geeigneten Augenschutz.

**Warnung!** Verwenden Sie ausschließlich den geeigneten Schneidfadentyp.

**Hinweis:** Inspizieren Sie den Bereich, der getrimmt werden soll, und entfernen Sie Drähte, Schnüre oder andere bandartige Gegenstände, die sich in dem drehenden Schneidfaden oder in der Spule verfangen könnten. Achten Sie besonders darauf, bei der Arbeit keinen Draht zu berühren, der in den Arbeitsweg des Geräts reichen, zum Beispiel nach außen gebogene Spitzen eines Maschendrahtzauns.

### Ein- und Ausschalten

- ◆ Drücken Sie die Einschaltsperrleiste (2) und drücken Sie den Ein-/Ausschalter (1), um das Gerät einzuschalten.
- ◆ Lassen Sie zum Ausschalten des Geräts den Auslöser wieder los.

### Betreiben des Trimmers (Abb. F, G–G3)

- ◆ Halten Sie das eingeschaltete Gerät im entsprechenden Winkel und bewegen Sie den Trimmer langsam von einer Seite zur anderen (s. Abbildung G).
- ◆ Halten Sie einen Winkel zwischen 5° und 10° ein (s. Abbildung G1). Der Winkel darf nicht spitzer als 10° sein (s. Abbildung G2). Schneiden Sie mit der Spitze des Schneidfadens. Halten Sie mithilfe des Schnittführungsrads (7) Abstand von harten Oberflächen.
- ◆ Halten Sie zwischen Ihren Füßen und der Schutzvorrichtung einen Mindestabstand von 600mm ein (s. Abbildung G3). Richten Sie die Gesamthöhe des Trimmers wie in Abbildung F dargestellt so ein, dass Sie diesen Abstand einhalten können.

### Umbau zum Kantenschneiden (Abb. H, I)

**Warnung!** Beim Bearbeiten von Kanten können Steine, Metallteile und andere Objekte vom Schneidfaden mit hoher Geschwindigkeit fortgeschleudert werden. Trimmer und Schutzvorrichtung wurden zur Minimierung dieser Gefahr entwickelt. Sie müssen jedoch **UNBEDINGT** darauf achten, dass andere Personen und Haustiere einen Mindestabstand von 30 m einhalten. Optimale Ergebnisse werden bei Kanten erzielt, die tiefer als 50 mm sind.

- ◆ Entfernen Sie den Akku aus dem Trimmer.
- ◆ Für die Pflege von Rasenkanten stellen Sie den Stellring (5), wie in Teil 1 von Abbildung H gezeigt ein.
- ◆ Halten Sie den Metallschaft fest und drehen Sie das untere Gehäuse wie in Teil 2 gezeigt um 180°.

- ◆ Drehen Sie den Stellring, bis er fest sitzt.
- ◆ Bringen Sie die Schnittführung (7) wie in Abbildung I gezeigt in die Position zum Kantenschneiden.
- ◆ Positionieren Sie den Trimmer wie in Abbildung J gezeigt über der Oberfläche.
- ◆ Stellen Sie das Gerät in die Trimmposition zurück, indem Sie den Stellring lockern und das untere Gehäuse um 180° zurückdrehen. Drehen Sie den Stellring, bis er fest sitzt.

### Nützliche Tipps

- ◆ Schneiden Sie mit der Spitze des Schneidfadens; bewegen Sie nicht den Fadenkopf mit Gewalt durch ungeschnittenen Rasen. Verwenden Sie entlang von Zäunen, Gebäuden und Blumenbeete am besten die Schnittführung.
- ◆ Draht- und Lattenzäune führen zu einer verstärkten Fadenabnutzung und sogar zum Abbrechen des Fadens. An Stein- und Ziegelwänden, Bordsteinen und Holzflächen kann der Faden schnell verschleifen.
- ◆ Ziehen Sie den Spulendeckel nicht über den Boden oder andere Oberflächen.
- ◆ Bei langem Gras schneiden Sie von oben nach unten und überschreiten dabei nicht eine Höhe von 300 mm.
- ◆ Halten Sie den Trimmer so, dass er in Richtung des zu schneidenden Bereichs geneigt ist; so erhalten Sie den besten Schneidbereich.
- ◆ Der Trimmer schneidet, indem Sie das Gerät von rechts nach links schwenken. Dadurch wird vermieden, dass das Schnittgut den Bediener trifft.
- ◆ Vermeiden Sie Bäume und Sträucher. Baumrinde, Holzleisten, Wandverkleidungen, und Zaunpfosten können durch den Faden schnell beschädigt werden.

### Schneidfaden / Fadenzuführung

Der Trimmer verwendet einen runden Nylonfaden mit 1,65 mm Durchmesser. Während der Arbeit wird die Spitze des Nylonfadens abgenutzt und die spezielle selbstzuführende Spule führt automatisch mehr Faden zu und schneidet ihn entsprechend ab. Der Schneidfaden nutzt sich schneller ab und muss häufiger erneuert werden, wenn Schneidarbeiten oder Kantenschneiden entlang Gehwegen oder anderen rauen Untergründen ausgeführt werden oder dichtes Unkraut geschnitten wird. Die erweiterte automatische Fadenzuführung erkennt, wenn mehr Schneidfaden benötigt wird, und führt bei Bedarf mehr Faden zu und schneidet ihn entsprechend ab. Drücken Sie das Gerät nicht auf den Boden, um zu versuchen, mehr Faden zuzuführen, oder für andere Zwecke.

### Vorgehen bei einem steckengebliebenen und verhedderten Schneidfaden (Abb. K, L, M)

Warnung! Nehmen Sie den Akku aus dem Trimmer, bevor Sie etwas montieren, Einstellungen vornehmen oder Zubehörteile austauschen. Diese Vorsichtsmaßnahmen verhindern den unbeabsichtigten Start des Geräts. Von Zeit zu Zeit, insbesondere beim Schneiden von dickem oder stängeligem Unkraut, kann die Nabe der Fadenzuführung durch Pflanzenreste oder anderes Material verstopft werden, wodurch der Schneidfaden steckenbleiben kann. Zum Beseitigen der Behinderung gehen Sie wie unten beschrieben vor.

- ◆ Entfernen Sie den Akku aus dem Trimmer.
- ◆ Drücken Sie wie in Abbildung K dargestellt auf die Freigabelaschen (15) am Spulendeckel der Fadenzuführung (16) und entfernen Sie den Deckel, indem Sie ihn gerade abziehen.
- ◆ Ziehen Sie die Spule mit dem Nylonfaden heraus und entfernen Sie abgebrochene Fadenstücke oder Schneidabfall aus dem Spulenbereich.
- ◆ Setzen Sie Spule und Faden so in den Spulendeckel ein, dass der Faden wie in Abbildung L1 gezeigt in den Schlitzen „geparkt“ wird.
- ◆ Führen Sie das Fadenende durch das entsprechende Loch in das Spulengehäuse ein. Ziehen Sie den lockeren Faden durch, bis er wie in Abbildung L2 gezeigt aus den Halteschlitzen herauskommt.
- ◆ Drücken Sie die Spule vorsichtig nach unten, drehen Sie sie so lange, bis sie spürbar an der richtigen Stelle sitzt, und drücken Sie sie dann herunter, bis sie einrastet. (Wenn sie richtig sitzt, lässt sich die Spule frei um ein paar Grad nach links und rechts drehen.)
- ◆ Achten Sie darauf, dass der Schneidfaden nicht unter der Spule eingeklemmt wird.
- ◆ Richten Sie die Laschen des Spulendeckels an den Schlitzen des Spulengehäuses aus.
- ◆ Bringen Sie den Spulendeckel wie in Abbildung M gezeigt wieder an, indem Sie die Laschen hereindrücken und in das Spulengehäuse schieben.

**Hinweis:** Stellen Sie sicher, dass der Deckel richtig aufgesetzt ist: wenn Sie es zweimal klicken hören, sitzen beide Laschen an der richtigen Stelle. Schalten Sie das Gerät ein. Nach höchstens ein paar Sekunden hören Sie, wie der Nylonfaden automatisch auf die richtige Länge geschnitten wird.

**Warnung!** Schneiden Sie den Schneidfaden ggf. so zu, dass dieser lediglich bis an das Fadenschneidemesser heranreicht, um Beschädigungen des Geräts zu vermeiden.

**Hinweis:** Weitere Austauschteile (Schutzvorrichtungen, Spulendeckel usw.) sind über BLACK+DECKER Vertragswerkstätten erhältlich. Eine Vertragswerkstatt in Ihrer Nähe finden Sie auf [www.blackanddecker.com](http://www.blackanddecker.com).

**Warnung!** Der Gebrauch von Zubehörteilen, die nicht von BLACK+DECKER für den Gebrauch mit diesem Gerät empfohlen werden, kann gefährlich sein.

### Ersetzen der Spule (Abb. K, L, M, N)

- ◆ Entfernen Sie den Akku aus dem Gerät.
- ◆ Nehmen Sie bei heruntergedrückten Laschen (15) den Spulendeckel (16) vom Spulengehäuse (17) ab (Abb. K).
- ◆ Halten Sie die leere Spule mit einer Hand und das Spulengehäuse mit der anderen Hand fest und ziehen Sie die Spule heraus.
- ◆ Wenn sich die Klinke (18) (Abbildung N) in der Gehäusebasis löst, bringen Sie diese wieder in der richtigen Position an, bevor Sie die neue Spule ins Gehäuse einsetzen.
- ◆ Entfernen Sie Verschmutzungen und Gras von der Spule und dem Gehäuse.
- ◆ Lösen Sie das Ende des Schneidfadens und führen Sie ihn durch die Öse (L2) (Abbildung L).
- ◆ Stecken Sie eine neue Spule auf die Nabe (19) im Gehäuse (s. Abbildung N). Drehen Sie die Spule leicht, bis sich diese in der richtigen Position befindet. Der Faden sollte etwa 135 mm aus dem Gehäuse herausragen.

- ◆ Richten Sie die Laschen des Spulendeckels an den Löchern des Gehäuses aus (Abbildung M).
- ◆ Drücken Sie den Deckel auf das Gehäuse, bis dieser sicher einrastet.

**Aufwickeln der Spule mit Meterware-Faden (Abb. O, P, Q)**

Schneidfäden als Meterware erhalten Sie ebenfalls bei Ihrem Händler. Hinweis: Bei handgewickelten Spulen besteht im Gegensatz zu vorgewickelten Spulen von BLACK+DECKER eine höhere Wahrscheinlichkeit, dass sich der Faden verheddert. Für beste Ergebnisse wird daher empfohlen, vorgewickelte Spulen zu verwenden. Befolgen Sie diese Schritte, um Meterware-Faden aufzuwickeln:

- ◆ Entfernen Sie den Akku aus dem Gerät.
- ◆ Entnehmen Sie, wie unter „Ersetzen der Spule“ beschrieben, die leere Spule aus dem Gerät.
- ◆ Entfernen Sie alle Schneidfadenreste von der Spule.
- ◆ Knicken Sie etwa 19 mm am Ende des Schneidfadens um (Abb. 20). Fädeln Sie den Schneidfaden in einen der Halteschlitz (21) ein, wie in Abbildung O dargestellt.
- ◆ Führen Sie wie in Abbildung P gezeigt etwa 19 mm vom Ende des Meterware-Fadens in das Loch (22) in der Spule, das sich neben dem Schlitz befindet. Achten Sie darauf, dass der Faden wie in Abbildung P gezeigt dicht an der Spule anliegt.
- ◆ Wickeln Sie den Schneidfaden in Pfeilrichtung auf die Spule. Achten Sie darauf, dass Sie den Faden in gleichmäßigen Schichten aufwickeln. Wickeln Sie den Schneidfaden nicht kreuz und quer auf (Abbildung Q).
- ◆ Schneiden Sie den Faden ab, wenn der aufgewickelte Faden die Aussparungen (23) erreicht (Abbildung P).
- ◆ Bringen Sie, wie unter „Ersetzen der Spule“ beschrieben, die Spule wieder am Gerät an.

**Wartung**

Ihr BLACK+DECKER Gerät (mit und ohne Netzkabel) wurde im Hinblick auf eine lange Lebensdauer und einen möglichst geringen Wartungsaufwand entwickelt. Ein dauerhafter, einwandfreier Betrieb setzt eine regelmäßige Pflege und Reinigung voraus.

Das Ladegerät benötigt keine Wartung, es sollte jedoch regelmäßig gereinigt werden.

**Warnung!** Vor dem Ausführen jeglicher Wartungsarbeiten an Geräten mit und ohne Netzkabel:

- ◆ Schalten Sie das Gerät aus, und ziehen Sie den Netzstecker.
- ◆ Wenn das Gerät über einen separaten Akku verfügt, schalten Sie das Gerät ab und entfernen Sie ihn vom Gerät.
- ◆ Wenn der Akku integriert ist, entladen Sie diesen vor dem Abschalten vollständig.
- ◆ Trennen Sie das Ladegerät von der Stromversorgung, bevor Sie es reinigen. Das Ladegerät benötigt keine Wartung, es sollte jedoch regelmäßig gereinigt werden.
- ◆ Reinigen Sie regelmäßig die Lüftungsschlitze des Geräts und des Ladegeräts mit einer weichen Bürste oder einem trockenen Tuch.
- ◆ Reinigen Sie das Motorgehäuse regelmäßig mit einem

feuchten Tuch. Verwenden Sie keine scheuernden Reinigungsmittel oder Reinigungsmittel auf Lösungsmittelbasis.

- ◆ Reinigen Sie regelmäßig den Schneidfaden und die Spule mit Hilfe einer weichen trockenen Bürste oder eines trockenen Tuchs.
- ◆ Entfernen Sie mit einem stumpfen Schaber regelmäßig Gras und Erde von der Unterseite der Schutzvorrichtung.

**Fehlerbehebung**

Problem	Lösung
<b>Das Gerät läuft langsam.</b>	<p>Entfernen Sie den Akku aus dem Trimmer.</p> <p>Vergewissern Sie sich, dass sich das Spulengehäuse frei drehen kann. Reinigen Sie dieses ggf. sorgfältig.</p> <p>Stellen Sie sicher, dass der Schneidfaden nicht weiter als etwa. 122 mm aus dem Spulengehäuse herausragt. Schneiden Sie ggf. den Schneidfaden so zu, dass dieser lediglich bis an das Fadenschneidmesser reicht.</p>
<b>Die automatische Zuführung funktioniert nicht.</b>	<p>Es wird mehr Faden zugeführt, sobald der Faden sich auf ca. 76 mm verkürzt hat. Um festzustellen, ob kein Faden mehr zugeführt wird, lassen Sie ihn über diesen Punkt hinweg abnutzen.</p> <p>Halten Sie die Laschen hereingedrückt und entfernen Sie den Spulendeckel samt Spule aus dem Spulengehäuse im Trimmerkopf.</p> <p>Stellen Sie sicher, dass der Schneidfaden nicht kreuz und quer auf die Spule gewickelt wurde, wie in (Abb. Q) gezeigt. Wenn das der Fall ist, wickeln Sie den Schneidfaden ab und wickeln ihn ordentlich wieder auf.</p> <p>Untersuchen Sie die Führungen an der Unterseite der Spule auf Beschädigungen. Falls beschädigt, ersetzen Sie die Spule.</p> <p>Ziehen Sie den Schneidfaden heraus, bis dieser etwa 122 mm aus der Spule herausragt. Bringen Sie eine neue Spule mit Schneidfaden an, wenn der Schneidfaden auf der Spule nicht mehr ausreicht.</p> <p>Richten Sie die Laschen am Spulendeckel an den Löchern des Gehäuses aus.</p> <p>Drücken Sie den Spulendeckel auf das Gehäuse, bis dieser sicher einrastet.</p> <p>Schneiden Sie den Schneidfaden ggf. so zu, dass dieser lediglich bis an das Fadenschneidmesser heranreicht. Versuchen Sie folgende Vorgehensweisen, wenn die automatische Zuführung weiterhin nicht funktioniert oder die Spule klemmt: Reinigen Sie sorgfältig Spulendeckel und Gehäuse.</p> <p>Stellen Sie sicher, dass Sie einen Schneidfaden mit der richtigen Größe und dem richtigen Durchmesser (2,00 mm) verwenden - kleinere und größere Fadengrößen beeinträchtigen die Funktionsfähigkeit der automatischen Fadenzuführung.</p> <p>Entfernen Sie die Spule, und überprüfen Sie, ob sich der Hebel im Spulengehäuse frei bewegen lässt.</p> <p>Entnehmen Sie die Spule, wickeln Sie den Schneidfaden ab und anschließend sorgfältig wieder auf. Setzen Sie die Spule wieder in das Gehäuse ein.</p>

Problem	Lösung
<b>Zu viel Fadenzuführung</b>	Stellen Sie sicher, dass Sie mit der Spitze des Schneidfadens schneiden, die ab der Spule etwa 177 mm lang ist. Verwenden Sie eventuell die Schnittführung, damit genügend Abstand eingehalten wird. Stellen Sie sicher, dass Sie einen Winkel von 10° nicht überschreiten, siehe (Abb. G1).
<b>Faden wickelt sich beim Entfernen von Deckel oder Spule ab</b>	Stellen Sie sicher, den Schneidfaden vor dem Entfernen dieser Teile in den Halteschlitz zu parken (Abb. L1).

## Umweltschutz



Getrennte Entsorgung. Produkte und Akkus mit diesem Symbol dürfen nicht mit dem normalen Hausmüll entsorgt werden.

Produkte und Akkus enthalten Materialien, die wiederverwertet werden können, um den Bedarf an Rohstoffen zu verringern. Bitte recyceln Sie elektrische Produkte und Akkus gemäß den örtlichen Bestimmungen.

## Technische Daten

		ST182320
Eingangsspannung	V <sub>ac</sub>	18
Leerlaufdrehzahl	min <sup>-1</sup>	9000
Gewicht	kg	2.05

		BL2018
Spannung	V <sub>ac</sub>	18
Kapazität	Ah	2.0
Typ		Li-Ionen

		905902** (Typ. 1)
Eingangsspannung	V <sub>ac</sub>	230
Ausgangsspannung	V <sub>ac</sub>	18
Stromstärke	mA	400

Gewichteter Hand-/Arm-Vibrationswert nach  
EN50636-2-91:

= < 3.6 m/s<sup>2</sup>, Unsicherheitsfaktor (K) = 1,5 m/s<sup>2</sup>.

L<sub>wa</sub> (Schalldruck) 76 dB(A)

Unsicherheitsfaktor (K) = 2,6 dB(A)

## EU-Konformitätserklärung

MASCHINENRICHTLINIE  
AUSSENLAUTSTÄRKERICHTLINIE



ST182320 Rasentrimmer  
Black & Decker erklärt, dass die unter „Technische Daten“  
beschriebenen Geräte übereinstimmen mit:  
2006/42/EG, EN60335-1:2012 + A11:2014  
EN50636-2-91:2014

2000/14/EG, Rasentrimmer, L ≤ 50 cm, Anhang VI  
DEKRA Certification B.V., Utrechtseweg 310,  
6802 ED Arnhem, Niederlande  
Gemeldet unter ID-Nr.: 0344

Schallpegel gemäß 2000/14/EG  
(Artikel 12, Anhang III, L ≤ 50 cm):  
L<sub>wa</sub> (gemessene Schallleistung) 88 dB(A)  
Unsicherheitsfaktor (K) = 2,6 dB(A)  
L<sub>wa</sub> (garantierte Schallleistung) 96 dB(A)

Diese Produkte entsprechen außerdem den Richtlinien  
2014/30/EU und 2011/65/EU. Weitere Informationen erhalten  
Sie von Black & Decker unter der folgenden Adresse. Diese  
befindet sich auch auf der Rückseite dieser Anleitung.

Der Unterzeichnete ist verantwortlich für die Zusammenstel-  
lung der technischen Daten und gibt diese Erklärung im  
Namen von Black & Decker ab.

R. Laverick  
Director of Engineering  
Black & Decker Europe, 210 Bath Road, Slough,  
Berkshire, SL1 3YD  
Vereinigtes Königreich  
15/11/2016

## Garantie

Black & Decker vertraut auf die Qualität der eigenen Geräte  
und bietet dem Käufer eine außergewöhnliche Garantie von  
24 Monaten ab Kaufdatum. Diese Garantie versteht sich  
unbeschadet der gesetzlichen Gewährleistungsansprüche  
und schränkt diese keinesfalls ein. Diese Garantie gilt in-  
nerhalb der Staatsgebiete der Mitgliedstaaten der Europäis-  
chen Union und der Europäischen Freihandelszone. Zur  
Inanspruchnahme dieser Garantie muss sie den allgemeinen  
Geschäftsbedingungen von Black&Decker entsprechen und  
dem Verkäufer bzw. der Vertragswerkstatt ist ein Kaufnach-  
weis vorzulegen.

Die Bedingungen für die 2-jährige Garantie von Black&Decker  
und den Standort Ihrer nächstgelegenen Vertragswerkstatt  
finden Sie im Internet unter [www.2helpU.com](http://www.2helpU.com) oder indem  
Sie sich an die lokale Black&Decker-Niederlassung wenden,  
deren Adresse Sie in dieser Anleitung finden.

Ihr neues Black & Decker Produkt können Sie auf unserer  
Website unter [www.blackanddecker.de](http://www.blackanddecker.de) registrieren. Dort  
erhalten Sie auch Informationen über neue Produkte und  
Sonderangebote.

### Utilisation prévue

Votre coupe-bordure BLACK+DECKER ST182320 a été conçu pour la taille et la finition des bordures de pelouse et pour couper l'herbe dans les espaces confinés. Cet appareil est prévu pour un usage domestique uniquement.

## Consignes de sécurité

**Avertissement !** L'utilisation d'appareils alimentés sur secteur implique le respect de certaines précautions de sécurité élémentaires, dont celles qui suivent, afin de réduire les risques d'incendie, de choc électrique, de blessures et de dégâts matériels.

**Avertissement !** Les consignes de sécurité doivent être respectées pendant l'utilisation. Pour votre propre sécurité ainsi que celle des personnes présentes à proximité, lisez ces instructions avant d'utiliser la machine. Veuillez conserver les instructions pour pouvoir vous y référer dans le futur.

- ◆ Lisez attentivement l'intégralité de ce manuel avant d'utiliser l'appareil.
- ◆ L'utilisation prévue de cette machine est décrite dans ce manuel. L'utilisation d'un accessoire ou de cet appareil à d'autres fins que celles recommandées dans ce manuel d'instructions peut présenter un risque de blessures.
- ◆ Gardez ce manuel pour pouvoir vous y référer dans le futur.

## Utilisation de votre appareil

Prenez toutes les précautions nécessaires lorsque vous utilisez l'appareil.

- ◆ Portez toujours des lunettes de protection.

- ◆ Ne laissez jamais les enfants, les personnes aux capacités physiques sensorielles ou mentales déficientes ou manquant d'expérience ou de connaissances ou les personnes non familiarisées avec ces instructions, utiliser la machine. La réglementation locale peut limiter l'âge de l'utilisateur.
- ◆ Ne laissez personne, surtout les enfants ou les animaux, s'approcher de l'outil pendant son utilisation.
- ◆ Ne laissez pas les enfants ou les animaux s'approcher de la zone de travail ou toucher l'appareil.
- ◆ Les enfants doivent être surveillés avec attention s'ils se trouvent près de l'appareil pendant l'utilisation.
- ◆ Cet appareil n'est pas destiné à être utilisé par des personnes jeunes ou déficientes sans surveillance.
- ◆ Cet appareil ne doit pas être utilisé comme jouet.
- ◆ N'utilisez cet appareil que de jour ou avec un éclairage artificiel approprié.
- ◆ Ne l'utilisez que des endroits secs. Ne laissez pas l'appareil être mouillé.
- ◆ Évitez d'utiliser l'appareil si les conditions climatiques sont mauvaises, tout particulièrement lorsqu'il y a un risque de foudre.
- ◆ Ne plongez pas l'appareil dans l'eau.
- ◆ N'ouvrez pas le corps de l'appareil. Il n'y a aucune pièce réparable par l'utilisateur à l'intérieur.
- ◆ N'utilisez pas l'appareil dans un environnement présentant des risques d'explosion, ni en présence de liquides, gaz ou poussières inflammables.



- ◆ L'appareil ne doit être utilisé qu'avec l'alimentation électrique fournie.

## Risques résiduels

Certains risques résiduels autres que ceux mentionnés dans les avertissements sur la sécurité peuvent survenir en utilisant l'outil.

Ces risques peuvent être provoqués par une utilisation incorrecte, prolongée, etc...

Malgré l'application des normes de sécurité pertinentes et la présence de dispositifs de sécurité, certains risques résiduels ne peuvent pas être évités., Ils comprennent :

- ◆ Les blessures dues au contact avec une pièce rotative/mobile.
- ◆ Les blessures dues au remplacement de pièces, lames ou accessoires.
- ◆ Les blessures dues à l'utilisation prolongée d'un outil. Lorsque l'outil est utilisé pendant de longues périodes, assurez-vous de faire des pauses régulières.
- ◆ Perte de l'ouïe.
- ◆ Les risques sanitaires dus à l'inhalation de poussières émises pendant l'utilisation de l'outil (exemple : travail avec du bois, surtout le chêne, le hêtre et les panneaux en MDF).

## Après utilisation

- ◆ Quand il n'est pas utilisé, l'appareil doit être rangé dans un endroit sec, suffisamment aéré et hors de portée des enfants.
- ◆ Les enfants ne doivent pas avoir accès aux appareils rangés.

- ◆ Quand l'appareil est rangé ou transporté dans un véhicule, il doit être installé dans le coffre ou correctement calé afin d'éviter les mouvements dus aux changements de direction ou de vitesse.

## Vérification et réparations

- ◆ Avant utilisation, vérifiez que les pièces de l'appareil sont en bon état. Contrôlez l'absence de pièces cassées ou toutes autres anomalies susceptibles de nuire au bon fonctionnement de l'appareil.
- ◆ N'utilisez pas l'appareil si une pièce est endommagée ou défectueuse.
- ◆ Faites réparer ou remplacer les pièces défectueuses ou endommagées par un réparateur agréé.
- ◆ Ne tentez jamais de retirer ou de remplacer des pièces autres que celles citées dans ce manuel.

## Sécurité des personnes

- ◆ Cet appareil peut être utilisé par des enfants âgés de 8 ans ou plus et des personnes ayant des déficiences physiques, mentales ou sensorielles. Cette consigne s'applique aux personnes ayant reçu les instructions appropriées d'utilisation fiable et ayant connaissance des dangers existants. Afin d'éviter que les enfants jouent avec cet appareil, ne les laissez pas sans surveillance. Les enfants ne peuvent en aucun cas assurer le nettoyage et la maintenance sans surveillance.
- ◆ Ne laissez jamais les enfants sans surveillance pour éviter qu'ils ne jouent avec cet outil.

## Vibration

Les valeurs d'émission de vibration déclarées dans les données techniques et la déclaration de conformité ont été mesurées selon une méthode d'essai standard fournie par la norme EN50636 et peuvent être utilisées pour comparer un outil à un autre. Elle peut aussi être utilisée pour une évaluation préliminaire à l'exposition.

**Attention !** Selon la manière dont l'outil est utilisé, la valeur des émissions de vibration pendant l'utilisation de l'outil peut être différente de la valeur déclarée. Le niveau de vibration peut augmenter au-dessus du niveau établi.

Quand l'exposition aux vibrations est évaluée afin de déterminer les mesures de sécurité requises par la norme 2002/44/CE pour protéger les personnes utilisant régulièrement des outils électroportatifs, il faut tenir compte d'une estimation de l'exposition aux vibrations, des conditions actuelles d'utilisation et de la manière dont l'outil est utilisé. Il faut aussi tenir compte de toutes les pièces du cycle de fonctionnement comme la durée pendant laquelle l'outil est arrêté et quand il fonctionne au ralenti, ainsi que la durée du déclenchement.

## Consignes de sécurité supplémentaires relatives aux coupe-bordures

**Avertissement !** Les organes de coupe continuent à tourner après l'extinction du moteur.

- ◆ Familiarisez-vous avec les commandes et la manière appropriée d'utiliser l'appareil.

- ◆ Retirez toujours la batterie de l'appareil lorsqu'il est laissé sans surveillance, avant de supprimer un bourrage, de procéder au nettoyage et à l'entretien, après avoir heurté un corps étranger ou si l'appareil se met à vibrer de façon anormale.
- ◆ Portez des chaussures solides ou des boots pour protéger vos pieds.
- ◆ Portez un pantalon pour protéger vos jambes.
- ◆ Avant d'utiliser l'appareil, contrôlez que la zone de passage de l'appareil est exempte de bâtons, cailloux, fils ou de tout autre obstacle.
- ◆ N'utilisez l'appareil qu'à la verticale, le fil de coup près du sol. Ne démarrez jamais l'appareil dans aucune autre position.
- ◆ Déplacez-vous lentement pendant l'utilisation de l'appareil. N'oubliez pas que l'herbe fraîchement coupée est humide et glissante.
- ◆ Ne travaillez pas sur des pentes trop raides. Ne faites jamais face à la pente, ne travaillez jamais de haut en bas.
- ◆ Ne traversez jamais de passages gravillonnés alors que l'appareil est en marche.
- ◆ Ne touchez jamais le fil de coupe quand l'appareil est en marche.
- ◆ Ne posez pas l'appareil avant l'arrêt complet du fil de coupe.
- ◆ N'utilisez que le type de fil de coupe approprié. N'utilisez jamais un fil de coupe en métal ou du fil de pêche.
- ◆ Prenez garde à ne pas toucher la lame de taille du fil.

- ◆ Gardez toujours les pieds et les mains éloignés du fil de coupe et particulièrement au moment du démarrage du moteur.
- ◆ Avant d'utiliser l'appareil et après un choc, contrôlez l'absence de signes d'usure ou de dommages et procédez aux réparations nécessaires.
- ◆ Ne faites jamais fonctionner l'appareil si les dispositifs de protection sont endommagés ou sans que ces derniers soient en place.
- ◆ Prenez garde à éviter de vous blesser avec les dispositifs installés pour découper le fil de coupe en longueur. Une fois un nouveau fil de coupe tiré, remplacez toujours la machine dans sa position de fonctionnement normale avant de la remettre en marche.
- ◆ Assurez-vous que les fentes d'aération restent exemptes de tout débris.

- ◆ Pour la mise au rebut des batteries/piles, respectez les instructions mentionnées à la section « Protection de l'environnement ».

## Chargeurs

- ◆ N'utilisez votre chargeur BLACK+DECKER que pour recharger la batterie fournie avec l'outil. D'autres batteries pourraient exploser et provoquer des blessures et des dommages.
- ◆ Ne tentez jamais de recharger des batteries non rechargeables.
- ◆ Faites immédiatement remplacer les cordons endommagés.
- ◆ N'exposez pas le chargeur à l'eau.
- ◆ N'ouvrez pas le chargeur.
- ◆ Ne sondez pas le chargeur.



Le chargeur est conçu pour être exclusivement utilisé à l'intérieur.



Lisez le manuel d'utilisation avant de l'utiliser.

## Consignes de sécurité supplémentaires relatives aux batteries/piles et aux chargeurs

### Batteries

- ◆ Ne tentez jamais sous aucun prétexte de les ouvrir.
- ◆ Ne mettez pas la batterie/pile en contact avec l'eau.
- ◆ Ne les stockez pas dans des endroits où la température peut dépasser 40 °C.
- ◆ Ne les rechargez qu'à une température ambiante comprise entre 10° C et 40° C.
- ◆ Ne les rechargez qu'à l'aide du chargeur fourni avec l'outil.

## Sécurité électrique



Votre chargeur dispose d'une double isolation ; aucun fil de terre n'est donc nécessaire. Vérifiez toujours que la tension indiquée sur la plaque signalétique de l'appareil correspond à la tension du secteur. N'essayez jamais de remplacer le chargeur par une prise secteur ordinaire.

- ◆ Si le câble d'alimentation est endommagé, il doit être remplacé par le fabricant ou par un centre de réparation agréé BLACK+DECKER afin d'éviter tout accident.

## Étiquettes apposées sur l'appareil

Les pictogrammes qui suivent figurent sur l'outil avec le code date :



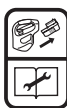
Lisez le manuel avant de l'utiliser.



Portez toujours des lunettes de protection pour utiliser cet appareil.



Portez toujours des protections auditives appropriées pour utiliser cet appareil.



Retirez toujours la batterie de l'appareil avant toute opération de nettoyage ou de maintenance.



Faites attention aux projections d'objets. Éloignez toute personne de la zone de coupe.



N'exposez pas l'appareil à la pluie ou à l'humidité.



Puissance sonore garantie conforme à la Directive 2000/14/CE.

### Caractéristiques

Cet appareil présente tout ou partie des caractéristiques suivantes.

1. Gâchette
2. Bouton de déverrouillage
3. Poignée
4. Poignée auxiliaire
5. Collier de réglage de hauteur
6. Tête de coupe
7. Guide-bordure
8. Dispositif de protection
9. Compartiment bobine
10. Batterie

### Rechargement de la batterie (Fig. A)

La batterie doit être chargée avant la première utilisation et chaque fois qu'elle n'apporte plus assez de puissance pour les travaux réalisés sans peine auparavant.

La batterie peut chauffer pendant la charge. Ce phénomène est normal et n'indique pas un problème.

**Avertissement !** Ne rechargez pas la batterie à une température ambiante inférieure à 10° C ou supérieure à 40° C. La température recommandée est d'environ 24° C.

**Remarque :** Le chargeur ne recharge pas la batterie si la température de la cellule est inférieure à environ 10° C ou supérieure à 40° C.

La batterie doit rester dans le chargeur qui démarre automatiquement la charge quand la température de la cellule augmente ou diminue.

- ◆ Branchez le chargeur dans une prise adaptée avant d'insérer le bloc-batterie.
- ◆ Insérez le bloc-batterie dans le chargeur.



Le voyant vert clignote pour indiquer que la batterie est en charge.



La fin de la charge est indiquée par le voyant rouge restant fixe en continu. Le bloc est alors complètement rechargé et il peut soit être utilisé, soit être laissé dans le chargeur.

**Avertissement !** Rechargez les batteries déchargées dès que possible après utilisation pour ne pas grandement diminuer leur durée de vie.

### Diagnostique du chargeur

Ce chargeur est conçu pour détecter certains problèmes qui peuvent survenir avec les blocs-batteries ou les sources d'alimentation. Les problèmes sont signalés par un voyant clignotant de différentes manières.

### Batterie défectueuse



Le chargeur peut détecter une batterie faible ou endommagée. Le voyant rouge clignote de la façon indiquée sur l'étiquette. Arrêtez la charge de la batterie si vous voyez ce motif clignoté indiquant que la batterie est défectueuse. Renvoyez-la dans un centre d'assistance ou un site de collecte pour recyclage.

### Délai Bloc chaud/froid



Lorsque le chargeur détecte que la batterie est trop chaude ou trop froide, il démarre automatiquement un délai Bloc Chaud/Froid, suspendant la charge jusqu'à ce que la batterie se stabilise. Après cela, le chargeur passe automatiquement en mode Charge Bloc. Cette fonctionnalité garantit la durée de vie maximale de la batterie. Le voyant rouge clignote de la façon indiquée sur l'étiquette lorsque le délai Bloc Chaud/Froid est détecté.

### Laisser la batterie dans le chargeur

Le chargeur et le bloc-batterie peuvent rester connectés en permanence avec la LED allumée en continu. Le chargeur maintient le bloc-batterie complètement chargé.

### Remarques importantes sur la charge

- ◆ Une durée de vie plus longue et des meilleures performances peuvent être obtenues si le bloc batterie est rechargé à une température ambiante comprise entre 18° et 24° C (65° à 75° F). NE rechargez PAS le bloc-batterie à une température ambiante inférieure à +40°F (+4,5°C) ou supérieure à +105°F (+40,5°C). Ce point est important et évite de graves dommages au bloc-batterie.
- ◆ Le chargeur et le bloc-batterie peuvent devenir chauds au toucher pendant la charge. Ceci est normal et n'indique pas un problème. Afin de faciliter le refroidissement du bloc-batterie après utilisation, évitez de placer le chargeur ou le bloc-batterie dans un environnement chaud comme une remise métallique ou une remorque non isolée.
- ◆ Si le bloc-batterie ne se recharge pas correctement :
  - ◆ Vérifiez le courant au niveau de la prise murale en branchant une lampe ou un autre appareil.
  - ◆ Vérifiez que la prise de courant n'est pas reliée à un interrupteur coupant l'alimentation lorsqu'on éteint l'éclairage.
  - ◆ Déplacez le chargeur et le bloc-batterie dans un endroit où la température ambiante est comprise entre 18° C et 24° C (65°F - 75°F).
  - ◆ Si les problèmes de charge persistent, apportez l'outil, le bloc-batterie et le chargeur à votre centre d'assistance local.
- ◆ Le bloc-batterie doit être rechargé lorsqu'il ne parvient plus à fournir la puissance nécessaire aux opérations qui étaient facilement réalisées auparavant. Cessez D'UTILISER l'outil dans ces conditions. Respectez la procédure de charge. Vous pouvez également charger un bloc déjà utilisé si vous le souhaitez, sans que cela n'affecte le bloc-batterie.
- ◆ Les corps étrangers de nature conductrice tels que, mais ne se limitant pas à, la laine d'acier, le papier aluminium ou toute accumulation de particules métalliques doivent être tenus éloignés des cavités du chargeur. Débranchez toujours le chargeur de la prise lorsqu'il n'y a pas de pack batterie dans la cavité. Débranchez le chargeur avant de le nettoyer.
- ◆ Ne congélez pas le chargeur et ne l'immergez pas dans l'eau ou dans tout autre liquide.

**Avertissement !** Risque de choc. Ne laissez aucun liquide pénétrer dans le chargeur. Ne tentez jamais d'ouvrir le bloc-batterie pour quelque raison que ce soit.

Si le corps en plastique du bloc-batterie se casse ou se fissure, retournez-le à un centre d'assistance pour qu'il soit recyclé.

### Installation et retrait du bloc-batterie dans l'outil

**Avertissement !** Avant de retirer ou d'installer la batterie, assurez-vous que le bouton de déverrouillage n'est pas enclenché afin d'empêcher activation de l'interrupteur.

### Pour installer le bloc-batterie

Insérez la batterie (10) dans l'appareil jusqu'à entendre un clic (Figure B). Assurez-vous que le bloc-batterie est bien en place et correctement verrouillé.

### Pour retirer le bloc-batterie

Appuyez sur le bouton de libération de la batterie (11) comme illustré par la figure C et tirez sur le bloc-batterie pour le sortir de l'appareil.

### Assemblage

**Avertissement !** Avant l'assemblage, assurez-vous que l'outil est éteint et que la batterie a été retirée.

**L'assemblage de l'outil nécessite (non fourni) :**

Un tournevis cruciforme.

### Installation du dispositif de protection (Fig. D, E)

**Avertissement !** Retirez la batterie de l'appareil avant d'y fixer la protection, le guide-bordure ou la poignée. Ne faites jamais fonctionner l'appareil sans que le dispositif de protection soit parfaitement en place. La protection doit toujours être présente sur l'appareil pour protéger l'utilisateur.

- ◆ Retirez la vis du dispositif de protection.
- ◆ Retournez le coupe-bordure pour faire apparaître le cache-bobine (16).
- ◆ Retournez la protection (8) et glissez-la à fond sur le carter moteur (12). Assurez-vous que les onglets (13) de la protection glissent dans les trous (14) du carter moteur comme illustré sur la figure D.
- ◆ Continuez à glisser la protection jusqu'à ce qu'un dé clic indique qu'elle est en place.
- ◆ À l'aide d'un tournevis cruciforme, insérez la vis de la protection et serrez-la fermement comme illustré par la figure E pour conclure l'assemblage de la protection.
- ◆ Une fois la protection installée, retirez le cache de la lame du fil de coupe, situé sur le bord de la protection.

**Avertissement !** N'utilisez jamais l'outil lorsque la protection n'est pas correctement installée.

### Réglage de la hauteur (Fig. F, G-G3)

**Avertissement !** Réglez la longueur du coupe-bordure afin d'avoir une bonne position de travail comme illustré par les figures G -G3.

- ◆ La hauteur totale du coupe-bordure peut être réglée en dévissant le collier de réglage de hauteur (5) et en le tournant dans le sens de la flèche comme illustré par la figure F.
- ◆ Déplacez la partie haute vers le haut ou le bas. Une fois la bonne hauteur atteinte, serrez le collier en le tournant dans le sens inverse à la flèche comme illustré par la figure F.

## Libération du fil de coupe

Pendant le transport, le fil de coupe est scotché sur le compartiment bobine.

- ◆ Retirez le scotch fixant le fil de coupe au compartiment bobine.

## Fonctionnement

**Avertissement !** Portez toujours un dispositif de protection oculaire.

**Avertissement !** Avant de commencer à tailler, veillez à n'utiliser que le type de fil de coupe approprié.

**Remarque :** inspectez la zone de coupe et retirez les éventuels fils, câbles, et autres objets longs qui pourraient s'emmêler avec le fil ou la bobine en mouvement. Soyez particulièrement vigilant à éviter tous les fils qui pourraient être tordus vers l'extérieur sur le passage de l'appareil, comme les ébarbures à la base d'une clôture à mailles métalliques par exemple.

## Mise en marche et arrêt

- ◆ Pour mettre l'appareil en marche, enfoncez le bouton de déverrouillage (2) et appuyez sur la gâchette (1).
- ◆ Pour éteindre l'appareil, relâchez la gâchette.

## Utilisation du coupe-bordure (Fig. F, G–G3)

- ◆ Quand l'appareil est en marche, inclinez-le et balancez-le lentement d'un côté à l'autre comme illustré par la figure I.
- ◆ Maintenez un angle de coupe de 5° à 10° comme illustré par la figure G1. Ne dépassez pas 10° (figure G2). Coupez avec l'extrémité du fil. Pour rester à une certaine distance des surfaces dures, utilisez le guide-bordure (7).
- ◆ Gardez une distance minimum de 600 mm entre la protection et vos pieds, comme illustré par la figure G3. Pour y parvenir, réglez la hauteur totale du coupe-bordure comme illustré par la figure F.

## Passage en mode Déligneuse (Fig. H, I)

**Avertissement !** Lorsque l'outil est utilisé comme déligneuse, des morceaux de métal et autres objets peuvent être projetés par le fil à grande vitesse. Le coupe-bordure et la protection sont conçus pour réduire les risques. Malgré tout, **ASSUREZ-VOUS** qu'aucune personne et qu'aucun animal domestique ne se trouvent à moins de 30 m. Pour atteindre un résultat de coupe optimal, les bordures doivent avoir une profondeur de plus de 50 mm.

- ◆ Retirez la batterie du coupe-bordure.
- ◆ Pour utiliser l'appareil comme une déligneuse, tournez le collier (5) comme illustré par la partie 1 de la figure H.
- ◆ Maintenez l'arbre métallique et tournez le carter inférieur de 180° comme illustré dans la partie 2.
- ◆ Tournez le collier jusqu'à ce qu'il soit bien refermé.
- ◆ Soulevez le guide-bordure (7) à la position de taille comme illustré par la figure I.
- ◆ Placez le coupe-bordure au dessus de la surface comme illustré par la figure J.
- ◆ Revenez en mode Taille en dévissant le collier de verrouillage et en retournant le carter inférieur de 180°. Tournez le collier pour le serrer fermement.

## Conseils utiles pour la taille

- ◆ Utilisez l'extrémité du fil pour effectuer la taille ; n'enfoncez pas la tête de coupe dans l'herbe. Utilisez le guide-bordure le long des clôtures, bâtiments et massifs de fleurs pour de meilleurs résultats.
- ◆ Les clôtures à mailles et les palissades augmentent l'usure du fil et peuvent même le rompre. Les murs en pierres et en briques, les margelles et le bois usent le fil prématurément.
- ◆ Ne laissez pas le cache-bobine traîner sur le sol ou d'autres surfaces.
- ◆ Si vous taillez de l'herbe haute, taillez de haut en bas et ne taillez pas à moins de 300 mm.
- ◆ Gardez le coupe-bordure incliné vers la zone à couper ; c'est la meilleure position de coupe.
- ◆ Le coupe-bordure effectue la coupe en passant l'appareil de droite à gauche. Ceci permet d'éviter la projection de débris vers l'utilisateur.
- ◆ Évitez les arbres et les buissons. L'écorce des arbres, les moulures, les revêtements et les poteaux de clôtures en bois peuvent facilement être endommagés par le fil.

## Fil de coupe / Alimentation du fil

Votre coupe-bordure utilise un fil nylon rond de 1,65 mm. Pendant l'utilisation, les pointes des fils en nylon s'effilochent et s'usent et le système spécial d'approvisionnement du fil s'occupe de fournir automatiquement une nouvelle longueur de fil. Le fil de coupe s'use plus rapidement et doit être renouvelé plus souvent si la coupe est effectuée le long de trottoirs ou d'autres surfaces abrasives et si ce sont de plus grosses mauvaises herbes qui sont coupées. Le mécanisme d'alimentation automatique du fil détecte lorsqu'il y a besoin de plus de fil de coupe et il approvisionne et coupe la bonne longueur de fil quand c'est nécessaire. Ne le heurtez pas contre le sol pour tenter de faire venir plus de fil ou pour toute autre raison.

## Élimination des bourrages et des emmêlements de fil (Fig. K, L, M)

**Avertissement !** Retirez la batterie du coupe-bordure avant d'effectuer toute opération de montage, réglage ou de changer un accessoire. Cette mesure de précaution permet d'éviter une mise en marche involontaire. De temps en temps, et tout particulièrement si les herbes sont épaisses, le moyeu d'alimentation du fil est saturé de sève et d'autres substances et le fil se coince. Pour éliminer le bourrage, suivez les étapes listées ci-dessous.

- ◆ Retirez la batterie du coupe-bordure.
- ◆ Appuyez sur les onglets de libération (15) sur le cache-bobine (16) comme illustré par la figure K et retirez le cache et le tirant droit.
- ◆ Sortez la bobine de fil en nylon et retirez tout fil cassé ou débris de coupe de la bobine.
- ◆ Remplacez la bobine et le fil dans la cache-bobine de façon que le fil soit "pris" dans les fentes comme illustré par la figure L1.
- ◆ Insérez l'extrémité du fil dans le trou correspondant du compartiment bobine. Tirez le mou du fil jusqu'à ce qu'il sorte des fentes de retenue comme illustré par la figure L2.

- ◆ Enfoncez doucement la bobine et tournez-la jusqu'à sentir qu'elle glisse en place puis poussez-la complètement en place. (Une fois positionnée, la bobine peut pivoter librement de quelques degrés vers la gauche et la droite).
- ◆ Prenez soin de ne pas coincer le fil sous la bobine.
- ◆ Alignez les onglets du cache-bobine avec les fentes du compartiment bobine.
- ◆ Refermez le cache-bobine comme illustré par la figure M en enfonçant les ergots et en les poussant dans le compartiment bobine.

**Remarque :** Assurez-vous que le cache est parfaitement en place, deux clics garantissent que les deux ergots sont bien positionnés. Allumez l'appareil. En quelques secondes ou moins, vous pouvez entendre le fil nylon être coupé automatiquement à la bonne longueur.

**Avertissement !** Afin d'éviter d'endommager l'appareil, si le fil de coupe dépasse de la lame de coupe, coupez-le de façon à ce qu'il atteigne tout juste la lame.

**Remarque :** D'autres pièces de rechange (protections, caches-bobines, etc.) sont disponibles dans les centres d'assistance BLACK+DECKER. Pour connaître l'adresse de votre centre d'assistance local, consultez le site [www.blackanddecker.com](http://www.blackanddecker.com).

**Avertissement !** L'utilisation d'accessoires non recommandés par BLACK+DECKER pour cet appareil peut être dangereuse.

### Remplacement de la bobine (Fig. K, L, M, N)

- ◆ Retirez la batterie de l'appareil.
- ◆ Appuyez sur les ergots (15) et retirez le cache-bobine (16) du compartiment bobine (17) (Figure K).
- ◆ Saisissez la bobine vide d'une main et le compartiment bobine de l'autre, puis extrayez la bobine.
- ◆ Si le levier (18) (Figure N) situé dans la base du compartiment se déloge, réinstallez-le dans la bonne position avant d'insérer une bobine neuve dans le compartiment.
- ◆ Éliminez la poussière et l'herbe de la bobine et du compartiment.
- ◆ Détachez l'extrémité du fil de coupe et guidez-la à travers l'œillet (L2) Figure L.
- ◆ Prenez la bobine neuve et poussez-la sur le moyeu (19) (figure N) dans le compartiment. Tournez légèrement la bobine jusqu'à ce qu'elle soit installée. Le fil doit dépasser d'environ 136 mm du compartiment.
- ◆ Alignez les ergots du cache-bobine avec les fentes du compartiment (Figure M).
- ◆ Poussez le cache dans le compartiment jusqu'à ce qu'il se bloque fermement en place.

### Rembobinage de la bobine avec du fil en vrac (Fig. O, P, Q)

Vous pouvez aussi acheter du fil en vrac auprès de votre revendeur local. **Remarque :** Les bobines de fil en vrac enroulées à la main risquent de s'entremêler plus fréquemment que les bobines enroulées en usine par BLACK+DECKER. Pour un résultat optimal, nous recommandons d'utiliser des bobines enroulées en usine. Pour installer du fil en vrac, procédez comme suit :

- ◆ Retirez la batterie de l'appareil.
- ◆ Retirez la bobine vide de l'appareil comme décrit à la section « Remplacement de la bobine ».
- ◆ Retirez tout reste de fil de coupe de la bobine.

- ◆ Pliez l'extrémité du fil de coupe d'environ 19 mm (20). Faites passer le fil de coupe dans l'une des fentes de fixation (21) comme illustré par la figure O.
- ◆ Insérez l'extrémité de 19 mm du fil en vrac dans le trou (22) de la bobine à côté de la fente comme illustré par la figure P. Assurez-vous que le fil est bien tiré étroitement contre la bobine comme illustré par la figure P.
- ◆ Enroulez le fil de coupe sur la bobine dans le sens de la flèche apposée sur la bobine. Assurez-vous de soigneusement enrouler le fil en couches. Ne faites pas s'entrecroiser le fil (Figure Q).
- ◆ Quand le fil de coupe enroulé atteint les encoches (23), coupez-le (Figure P).
- ◆ Installez la bobine sur l'appareil comme décrit à la section « Remplacement de la bobine ».

### Maintenance

Votre appareil/outil sans fil/avec fil BLACK+DECKER a été conçu pour fonctionner pendant longtemps avec un minimum d'entretien. Son bon fonctionnement continu dépend de son entretien et de son nettoyage régulier.

Votre chargeur ne nécessite aucun entretien particulier, à l'exception d'un nettoyage régulier.

**Avertissement !** Avant toute intervention de maintenance sur des outils électriques avec ou sans fil :

- ◆ Éteignez l'appareil/l'outil et débranchez-le.
- ◆ Ou, éteignez l'appareil/l'outil et retirez en la batterie si celui-ci est muni d'un bloc-batterie séparé.
- ◆ Ou, déchargez complètement la batterie si elle est intégrée, puis éteignez l'appareil.
- ◆ Débranchez le chargeur avant de le nettoyer. Votre chargeur ne nécessite aucun entretien particulier, à l'exception d'un nettoyage régulier.
- ◆ Nettoyez régulièrement les fentes d'aération de l'appareil et du chargeur à l'aide d'une brosse souple ou d'un chiffon sec.
- ◆ Nettoyez régulièrement le carter moteur à l'aide d'un chiffon humide. N'utilisez pas de détergents abrasifs ou à base de solvants.
- ◆ Nettoyez régulièrement le fil de coupe et la bobine à l'aide d'une brosse souple ou d'un chiffon sec.
- ◆ Utilisez régulièrement un racloir pour retirer l'herbe et les saletés sous le dispositif de protection.

### Dépannage

Problème	Solution
L'appareil fonctionne au ralenti.	Retirez la batterie du coupe-bordure.  Vérifiez que le compartiment bobine tourne librement. Nettoyez-le, le cas échéant.  Vérifiez que le fil de coupe ne dépasse pas de plus de 122 mm du compartiment bobine. Si c'est le cas, coupez-le pour qu'il soit juste au niveau de la lame

Problème	Solution
L'approvisionnement automatique en fil ne se fait pas.	<p>L'approvisionnement s'effectue quand le fil est raccourci à environ 76 mm. Pour déterminer si l'approvisionnement se fait effectivement en non, laissez le fil atteindre ce niveau d'usure.</p> <p>Maintenez les onglets enfoncés et retirez le cache-bobine avec la bobine du compartiment bobine sur la tête de coupe.</p> <p>Assurez-vous que le fil n'est pas entrecroisé dans la bobine comme détaillé sur la figure Q. Si c'est le cas, déroulez le fil de coupe et rebobinez-le soigneusement.</p> <p>Contrôlez l'absence de dommage sur les rails au bas de la bobine. En cas de dommage, remplacez la bobine.</p> <p>Tirez sur le fil de coupe jusqu'à ce qu'il dépasse d'environ 122 mm du compartiment. S'il n'y a plus assez de fil dans la bobine, installez une bobine neuve.</p> <p>Alignez les onglets du cache-bobine avec les fentes du compartiment.</p> <p>Poussez le cache-bobine dans le compartiment jusqu'à ce qu'il se bloque fermement en place.</p> <p>Si le fil de coupe dépasse de la lame, coupez-le pour qu'il soit juste au niveau de la lame. Si l'approvisionnement automatique du fil ne fonctionne toujours pas ou si la bobine se coince, essayez ce qui suit :</p> <p>Nettoyez soigneusement le cache-bobine et le compartiment.</p> <p>Assurez-vous d'utiliser un fil de taille et de diamètre corrects (2,00 mm) - des fils plus petits ou plus gros altèrent le fonctionnement du système d'approvisionnement automatique.</p> <p>Retirez la bobine et vérifiez que le levier à l'intérieur du compartiment bobine peut bouger librement.</p> <p>Retirez la bobine et déroulez le fil de coupe avant de le rebobiner soigneusement. Remplacez la bobine dans le compartiment.</p>
Sur-approvisionnement	<p>Assurez-vous que vous utilisez bien l'extrémité du fil à 177 mm de la bobine pour effectuer la taille. Utilisez le guide-bordure si nécessaire pour vous assurer de conserver la bonne distance.</p> <p>Assurez-vous de ne pas dépasser un angle de 10° comme illustré par la figure G1.</p>
Le fil se défait lorsque le cache ou la bobine sont retirés	<p>Assurez-vous de bien maintenir le fil dans les fentes de retenue (Figure L1) avant le retrait.</p>

## Données techniques

		ST182320
Tension d'entrée	$V_{ca}$	18
Régime à vide	$min^{-1}$	9000
Poids	kg	2.05

Batterie		BL2018
Tension	$V_{cc}$	18
Capacité	Ah	2.0
Type		Li-Ion

Chargeur		905902** (type. 1)
Tension d'entrée	$V_{ca}$	230
Tension de sortie	$V_{cc}$	18
Courant	mA	400

Niveau de vibration main/bras selon la norme EN50636-2-91:

$$= < 3.6 \text{ m/s}, \text{ incertitude (K) } = 1,5 \text{ m/s}.$$

$L_w$  (pression acoustique) 76 dB(A)

incertitude (K) = 2,6 dB(A)

## Déclaration de conformité CE

DIRECTIVES MACHINES DIRECTIVE RELATIVE AUX NUISANCES SONORES EXTÉRIEURES



Coupe-bordure sans fil ST182320  
Black & Decker déclare que les produits décrits dans les "Données techniques" sont conformes aux normes : 2006/42/EC, EN60335-1:2012 + A11:2014 EN50636-2-91:2014

2000/14/CE, Coupe-bordure,  $L \leq 50 \text{ cm}$ , Annexe VI  
DEKRA Certification B.V., Utrechtseweg 310,  
6802 ED Arnhem, Pays-Bas  
N° ID corps : 0344

Niveau de puissance sonore selon la norme 2000/14/CE (Article 12, Annexe III,  $L \leq 50 \text{ cm}$ ) :

$L_w$  (puissance sonore mesurée) 88 dB(A)  
Incertitude (K) = 2,6 dB(A)  
 $L_{wA}$  (puissance sonore garantie) 96 dB(A)

Ces produits sont également conformes aux Directives 2014/30/UE et 2011/65/UE. Pour plus de détails, veuillez contacter Black & Decker à l'adresse suivante ou vous reporter au dos du manuel.

## Protection de l'environnement

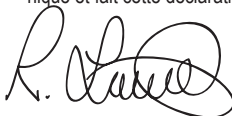


Tri sélectif. Les produits et batteries marqués de ce symbole ne doivent pas être jetés avec les déchets ménagers.

Les produits et batteries contiennent des matières qui peuvent être récupérées et recyclées afin de réduire la demande en matières premières. Veuillez recycler les produits électriques et les batteries conformément aux dispositions locales en vigueur.



Le soussigné est responsable des données de la fiche technique et fait cette déclaration au nom de Black & Decker.



R. Laverick  
Directeur Ingénierie  
Black & Decker Europe, 210 Bath Road, Slough,  
Berkshire, SL1 3YD  
Royaume-Uni  
15/11/2016

## Garantie

Black & Decker assure la qualité de ses produits et offre une garantie\* de 24 mois aux utilisateurs, à partir de la date d'achat. Cette garantie s'ajoute à vos droits légaux auxquels elle ne porte aucunement préjudice. Cette garantie est valable au sein des territoires des États membres de l'Union Européenne et au sein de la Zone européenne de libre-échange. Pour prétendre à la garantie, la réclamation doit être en conformité avec les conditions générales de Black & Decker et vous devez fournir une preuve d'achat au vendeur ou au réparateur agréé.

Les conditions générales de la garantie de 2 ans Black&Decker ainsi que l'adresse du réparateur agréé le plus proche sont disponibles sur le site Internet [www.2helpU.com](http://www.2helpU.com) ou en contactant votre agence Black & Decker locale à l'adresse indiquée dans ce manuel.

Veuillez consulter notre site Internet [www.blackanddecker.co.uk](http://www.blackanddecker.co.uk) pour enregistrer votre nouveau produit Black & Decker et pour être tenu informé des nouveaux produits et offres spéciales.

## Usò previsto

Questo tagliabordi BLACK+DECKER ST182320 è progettato per rifinire i bordi dei prati e per tagliare l'erba in spazi limitati. Questo elettrodomestico è stato progettato solo per uso individuale.

## Istruzioni di Sicurezza

**Avvertenza!** Quando si usano elettrodomestici alimentati elettricamente, osservare sempre le normali precauzioni di sicurezza per ridurre il rischio di incendio, scosse elettriche, lesioni personali e danni materiali.

**Avvertenza!** Osservare i regolamenti di sicurezza quando si usa l'elettrodomestico. Per la propria incolumità e quella degli osservatori, leggere queste istruzioni prima di usare l'elettrodomestico. Conservare le istruzioni in un luogo sicuro per utilizzo futuro.

- ◆ Leggere attentamente il presente manuale prima di usare l'elettrodomestico.
- ◆ L'uso previsto è descritto nel presente manuale. Se questo elettrodomestico viene usato con accessori o per usi diversi da quelli raccomandati nel presente manuale d'uso, si potrebbero verificare lesioni personali.
- ◆ Conservare il presente manuale per futura consultazione.

## Utilizzo dell'elettrodomestico

Prestare sempre attenzione quando si usa l'elettrodomestico.

- ◆ Indossare sempre occhiali di sicurezza.
- ◆ Non permettere mai a bambini, persone con capacità fisiche, sensoriali o mentali ridotte o mancanza di esperienza e di conoscenze o persone che non sono a conoscenza delle istruzioni di utilizzare la macchina, le

normative locali possono limitare l'età dell'operatore.

- ◆ Non usare mai la macchina se vi sono astanti, in modo particolare bambini, o animali domestici, nelle vicinanze.
- ◆ Vietare a bambini o ad animali di avvicinarsi all'area di lavoro o di toccare l'elettrotensile o il filo di alimentazione.
- ◆ Prestare la massima attenzione quando si usa l'elettrotensile vicino ai bambini.
- ◆ Questo elettrotensile non è destinato all'uso da parte di ragazzi o persone inferme senza supervisione.
- ◆ Questo elettrotensile non deve essere usato come un giocattolo.
- ◆ Usare l'elettrodomestico solo alla luce del giorno o con una buona luce artificiale.
- ◆ Usare esclusivamente in un luogo asciutto. Evitare che l'elettrotensile si bagni.
- ◆ Evitare di utilizzare l'apparecchio in caso di maltempo, soprattutto quando vi è il rischio di fulmini.
- ◆ Non immergere l'elettrotensile in acqua.
- ◆ Non aprire il corpo dell'elettrotensile, dato che al suo interno non vi sono componenti riparabili.
- ◆ Evitare di impiegare questo elettrotensile in ambienti esposti al rischio di esplosione, ad esempio in presenza di liquidi, gas o polveri infiammabili.
- ◆ Questo elettrodomestico deve essere utilizzato solo con l'alimentatore fornito.

## Rischi residui

L'utilizzo dell'apparecchio può comportare altri rischi non contemplati negli avvisi di sicurezza qui riportati. Tali rischi possono sorgere a seguito di un uso prolungato o improprio, ecc. Pur osservando le norme di sicurezza e utilizzando dispositivi di protezione adeguati, certi rischi non possono essere evitati. Sono inclusi:

- ◆ Lesioni causate o subite a seguito del contatto con parti rotanti/in movimento.
- ◆ Lesioni causate o subite durante la sostituzione di parti, lame o accessori.
- ◆ Lesioni causate dall'impiego prolungato di un utensile. Quando si usa qualsiasi apparecchio per lunghi periodi, accertarsi di fare regolarmente delle pause.
- ◆ Menomazioni uditive.
- ◆ Rischi per la salute causati dall'aspirazione di polvere generata dall'utilizzo dell'elettrotensile (ad esempio quando si lavora con il legno, in modo particolare quello di quercia o faggio o l'MDF.)

## Dopo l'impiego

- ◆ Quando non viene usato, l'elettrotensile deve essere conservato in un luogo asciutto e ben ventilato, fuori dalla portata dei bambini.
- ◆ Gli elettrotensili riposti non devono essere accessibili ai bambini.
- ◆ Se conservato o trasportato in un veicolo, l'elettrotensile deve essere riposto nel bagagliaio o legato per evitare che si sposti in caso di cambiamento repentino della velocità o della direzione di marcia.

## Ispezione e riparazioni

- ◆ Prima dell'uso, verificare che l'elettrotensile non sia danneggiato e non presenti parti difettose. Controllare che non vi siano parti rotte o altre condizioni che potrebbero avere ripercussioni sulle prestazioni.
- ◆ Non usare l'elettrotensile se alcune parti sono danneggiate o difettose.
- ◆ Far riparare o sostituire le parti danneggiate o difettose da un tecnico autorizzato.
- ◆ Non tentare di smontare o sostituire delle parti, ad eccezione di quelle specificate nel presente manuale.

## Sicurezza altrui

- ◆ Questo elettrotensile può essere usato da bambini dagli 8 anni in su e da persone portatrici di handicap fisici, psichici o sensoriali o che non abbiano la dovuta esperienza o conoscenza, sempre che siano seguite o opportunamente istruite sull'uso sicuro e comprendano i pericoli inerenti. I bambini non devono giocare con l'elettrodomestico. Gli interventi di pulizia e di manutenzione da parte dell'utente non devono essere eseguiti da bambini senza supervisione.
- ◆ Controllare che i bambini non giochino con l'elettrotensile.

## Vibrazioni

I valori dichiarati delle emissioni di vibrazioni al paragrafo Dati tecnici e nella Dichiarazione di conformità del presente manuale sono stati misurati in base al metodo di test standard previsto dalla normativa EN50636 e possono essere

usati come parametri di confronto tra due utensili. Il valore delle emissioni di vibrazioni dichiarato può anche essere usato come valutazione preliminare dell'esposizione.

**Attenzione!** Il valore delle emissioni di vibrazioni durante l'impiego effettivo dell'elettrotensile può variare da quello dichiarato a seconda delle modalità d'uso. Il livello delle vibrazioni può aumentare oltre quello dichiarato. Quando si valuta l'esposizione alle vibrazioni per determinare le misure di sicurezza richieste, in conformità alla normativa 2002/44/CE e destinata alla protezione delle persone che usano regolarmente gli elettrotensili nello svolgimento delle proprie mansioni, è necessario prendere in considerazione le condizioni effettive di utilizzo e il modo in cui l'utensile è usato, oltre a tenere in conto tutte le componenti del ciclo operativo, vale a dire i periodi in cui l'elettrotensile è spento, quelli in cui è acceso, ma a riposo e quelli in cui è effettivamente utilizzato.

## Altre precauzioni di sicurezza per i decespugliatori tagliabordi

- Avvertenza!** I fili da taglio continuano a girare dopo lo spegnimento del motore.
- ◆ Imparare bene i comandi e come usare in modo appropriato l'elettrotensile.
  - ◆ Rimuovere sempre la batteria dall'apparecchio quando l'apparecchio è incustodito, prima di liberare un'ostruzione, prima della pulizia e manutenzione, dopo aver colpito un

- oggetto estraneo o quando la macchina inizia a vibrare in modo anomalo.
- ◆ Indossare scarpe o stivali robusti per proteggere i piedi.
  - ◆ Indossare calzoni lunghi per proteggere le gambe.
  - ◆ Prima di iniziare a usare l'elettrotensile, controllare che lungo il percorso in cui si deve lavorare, non vi siano bastoncini, pietre, fili elettrici e altri ostacoli.
  - ◆ Usare l'elettrotensile solo in posizione verticale e con il filo da taglio vicino a terra. Non spegnere mai l'elettrotensile in qualsiasi altra posizione.
  - ◆ Spostarsi lentamente quando si usa l'elettrotensile. Ricordare che l'erba appena tagliata è umida e sdruciolevole.
  - ◆ Non lavorare su pendii ripidi. Lavorare trasversalmente su di un pendio e mai procedendo verticalmente in su e in giù.
  - ◆ Non attraversare mai strade o sentieri coperti di ghiaia con l'elettrotensile acceso.
  - ◆ Non toccare mai il filo da taglio quando l'elettrotensile è acceso.
  - ◆ Non appoggiare a terra l'elettrotensile fino a quando il filo da taglio non si è completamente fermato.
  - ◆ Usare solo il corretto tipo di filo da taglio. Non usare mai filo da taglio in metallo o una lenza.
  - ◆ Prestare attenzione a non toccare la lama di troncatura del filo.
  - ◆ Tenere sempre mani e piedi lontani dal filo da taglio, in modo particolare quando si accende il motore.
  - ◆ Prima di usare l'elettrotensile e dopo ogni impatto, controllare che non vi siano segni di usura o danni e riparare come richiesto.
  - ◆ Non far mai funzionare l'elettrotensile con le protezioni danneggiate o smontate.
  - ◆ Proteggersi da eventuali lesioni che potrebbero essere causate dai dispositivi montati per la troncatura di una lunghezza di filo da taglio. Dopo aver srotolato una nuova lunghezza di filo da taglio, riportare sempre l'elettrotensile nella normale posizione di funzionamento prima di accenderlo.
  - ◆ Verificare sempre che le fessure di ventilazione siano mantenute pulite e prive di impurità.

## Istruzioni di sicurezza aggiuntive per batterie e caricabatterie

### Batterie

- ◆ Non tentare mai di aprire le batterie per qualsiasi motivo.
- ◆ Non lasciare che la batteria si bagni.
- ◆ Non riporre in luoghi dove la temperatura potrebbe superare 40°C.
- ◆ Caricare solo a temperature ambiente comprese tra 10°C e 40°C.
- ◆ Caricare solo usando il caricabatterie fornito con l'elettrotensile.
- ◆ Quando si smaltiscono le batterie, seguire le istruzioni riportate al capitolo "Protezione dell'ambiente".

## Caricabatterie

- ◆ Usare l'alimentatore BLACK+DECKER solo per caricare la batteria nell'apparecchio con il quale è stato fornito. Altre batterie potrebbero scoppiare causando lesioni alle persone e danni alle cose.
- ◆ Non tentare mai di caricare batterie non ricaricabili.
- ◆ Fare sostituire immediatamente i fili di alimentazione difettosi.
- ◆ Non lasciare che il caricabatterie si bagni.
- ◆ Non aprire il caricabatterie.
- ◆ Non collegare il caricabatterie a sonde.



L'alimentatore può solo essere usato all'interno



Leggere il presente manuale d'uso prima dell'impiego.

## Sicurezza elettrica



Il doppio isolamento di cui è provvisto il caricabatterie rende superfluo il cavo di messa a terra. Controllare sempre che la tensione di rete corrisponda a quella indicata sulla targhetta dei dati tecnici. Non tentare mai di sostituire il caricabatteria con una normale spina elettrica.

- ◆ In caso di danneggiamento del cavo di alimentazione, è necessario farlo riparare dal fabbricante o presso un centro assistenza BLACK+DECKER autorizzato in modo da evitare eventuali pericoli.

## Etichette sull'apparecchio

Sull'elettrostrumento sono presenti i seguenti simboli, insieme al codice data:



Leggere il manuale prima dell'utilizzo.



Indossare occhiali di sicurezza quando si usa l'elettrostrumento.



Indossare otoprotezioni idonee quando si usa l'elettrostrumento.



Rimuovere sempre la batteria dall'apparecchio prima di effettuare qualsiasi operazione di pulizia o manutenzione.



Fare attenzione agli oggetti lanciati in aria. Tenere gli osservatori lontani dalla zona di taglio.



Non esporre l'elettrostrumento alla pioggia o a un'umidità intensa.



Pressione sonora garantita in base alla direttiva 2000/14/CE.

## Caratteristiche

Questo apparecchio presenta alcune o tutte le seguenti caratteristiche.

1. Interruttore
2. Pulsante di sicurezza
3. Impugnatura
4. Leva ausiliaria
5. Manico regolabile in altezza
6. Testa del tagliabordi
7. Guida per bordo
8. Riparo
9. Alloggiamento bobina
10. Batteria

## Carica della batteria (Fig. A)

La batteria deve essere caricata prima dell'impiego iniziale e quando non eroga una potenza sufficiente per lavori che prima era possibile eseguire facilmente.

Durante la carica, la batteria potrebbe riscaldarsi. Si tratta di un fatto normale che non indica che vi è un problema.

**Avvertenza!** Non ricaricare la batteria a temperature ambientali inferiori a 10°C o superiori a 40°C. La temperatura di ricarica consigliata è di circa 24°C.

**Nota:** il caricabatterie non ricarica una batteria se la temperatura della cella è inferiore a 10°C o superiore a 40°C.

La batteria deve essere lasciata nel caricabatterie, che incomincerà a caricare automaticamente quando la temperatura della cella aumenta o diminuisce.

- ◆ Collegare il caricabatterie ad una presa di corrente adatta prima di inserire il pacco batteria.
- ◆ Inserire il pacco batteria nel caricatore.



Il LED verde lampeggia mentre la ricarica è in corso.



Il completamento della carica sarà indicato dal LED verde che rimane continuamente acceso. Il pacco è completamente carico e può essere utilizzato in questo momento o lasciato nel caricabatterie.

**Avvertenza!** Ricaricare le batterie scariche al più presto dopo l'uso, altrimenti la durata della batteria potrebbe diminuire notevolmente.

### Diagnostica del caricabatterie

Questo caricabatterie è progettato per rilevare alcuni problemi che possono sorgere con i pacchi batteria o la fonte di alimentazione. I problemi sono indicati da un LED che lampeggia secondo schemi differenti.

### Batteria guasta



Il caricabatterie in grado di rilevare una batteria scarica o danneggiata. Il LED rosso lampeggia secondo lo schema indicato sull'etichetta. Se compare questo schema di batteria guasta, non continuare a caricare la batteria. Restituirla presso un centro di servizio o un sito di raccolta per il riciclaggio.

### Ritardo pacco caldo/freddo



Quando il caricabatterie rileva una batteria troppo calda o troppo fredda avvia automaticamente la funzione di ritardo pacco caldo/freddo, sospendendo il caricamento finché la batteria non ha raggiunto la temperatura normale. In seguito, il caricabatterie passa automaticamente alla modalità Ricarica pacco. Questa funzione garantisce la massima durata della batteria. Il LED rosso lampeggia secondo lo schema indicato sull'etichetta quando viene rilevato un ritardo pacco caldo/freddo.

### Batteria lasciata nel caricabatterie

Il caricabatterie e il pacco batteria possono essere lasciati collegati con il LED sempre acceso. Il caricabatterie manterrà il pacco batteria come nuovo e completamente carico.

### Note importanti sul caricamento

- ◆ È possibile ottenere la massima durata e prestazioni ottimali se la batteria viene caricata quando la temperatura dell'aria è compresa tra 18° e 24°C. NON caricare il pacco batteria a una temperatura dell'aria al di sotto di +40°F (+4,5°C), o al di sopra di +105°F (+40,5°C). Questo è importante e consentirà di evitare gravi danni al pacco batteria.
- ◆ Il caricatore e il battery pack possono diventare caldi al tatto durante la carica. È un fatto normale che non indica la presenza di problemi. Per facilitare il raffreddamento del battery pack dopo l'uso, evitare di posizionare il caricatore o il battery pack in un ambiente caldo come ad esempio in un capannone di metallo, o un rimorchio non isolato.
- ◆ Se il battery pack non si ricarica correttamente:
  - ◆ Controllare la presenza di corrente nella presa collegandovi una lampada o apparecchio simile.
  - ◆ Verificare se la presa è collegata ad un interruttore della luce che si spegne quando si spengono le luci.
  - ◆ Spostare il caricatore e il battery pack in un luogo dove la temperatura dell'aria circostante è di circa 18° - 24° C).
  - ◆ Se i problemi di ricarica persistono, portare l'utensile, la batteria e il caricabatterie presso il centro di assistenza.
- ◆ Il battery pack deve essere sostituito se non riesce a produrre energia a sufficienza per lavorazioni che prima venivano svolte con facilità. NON CONTINUARE l'utilizzo in queste condizioni. Seguire la procedura di ricarica. È anche possibile caricare un pacco parzialmente utilizzato ogni volta che si desidera senza alcun effetto negativo sulla batteria.
- ◆ Materiali estranei di natura conduttiva quali, a titolo esemplificativo, ma non esaustivo, lana d'acciaio, fogli di alluminio o qualsiasi accumulo di particelle metalliche devono essere tenuti lontano dalle cavità del caricabatterie. Staccare sempre il caricabatterie dalla presa quando il pacco batteria non è in sede. Staccare il caricabatterie dalla presa prima di cominciare a pulirlo.
- ◆ Non immergere nessuna parte dell'elettrodomestico in acqua o in altre sostanze liquide.

**Avvertenza!** rischio di scossa elettrica. Non far penetrare alcun liquido dentro al caricabatterie. Non cercare mai di aprire il battery pack per alcun motivo.

Se l'alloggiamento in plastica del battery pack si rompe o si crepa, riportarlo presso un centro di assistenza per il riciclaggio.

### Inserimento e rimozione del battery pack dall'apparecchio

**Avvertenza!** Verificare che il pulsante di bloccaggio non sia attivato per evitare l'azionamento dell'interruttore mentre si estrae o si inserisce la batteria.

**Per installare il battery pack**

Inserire la batteria (10) nell'apparecchio finché non si sente un clic (Figura B). Assicurarsi che il battery pack sia insediato a fondo e completamente bloccato in posizione.

**Per rimuovere il battery pack**

Premere il pulsante di rilascio della batteria (11) come indicato in Figura C ed estrarre la batteria dall'utensile.

**Assemblaggio**

**Avvertenza!** Prima di procedere al montaggio, accertarsi che l'elettrotensile sia spento e che la batteria non sia inserita.

**Utensili di assemblaggio richiesti (non in dotazione):**

Cacciavite Phillips.

**Montaggio della protezione (Fig. D, E)**

**Avvertenza!** Rimuovere la batteria prima di tentare di montare la protezione, la guida per bordi o l'impugnatura. Non utilizzare mai l'apparecchio senza la protezione saldamente in posizione. La protezione deve trovarsi sempre sull'apparecchio per proteggere l'utente.

- ◆ Svitare la vite dalla protezione.
- ◆ Capovolgere il tagliabordi in modo da guardare dall'alto verso il coperchio della bobina (16).
- ◆ Capovolgere la protezione (8) e farla scorrere all'interno dell'alloggiamento del motore (12). Assicurarsi che le linguette (13) sulla protezione si inseriscano nei fori (14) dell'alloggiamento del motore come mostrato in Figura D.
- ◆ Continuare a spingere la protezione fino a quando scatta in sede.
- ◆ Con un cacciavite a stella, guidare le vite e serrare saldamente come mostrato nella Figura E per completare il montaggio della protezione.
- ◆ Una volta installata la protezione, rimuovere la copertura dalla lama del filo di taglio situata sull'estremità della protezione.

**Avvertenza!** Non usare mai l'elettrotensile senza la protezione montata correttamente.

**Regolazione altezza (Fig. F, G–G3)**

**Avvertenza!** Regolare la lunghezza dei tagliabordi per ottenere le posizioni di lavoro corrette illustrate nelle Figure G - G3.

- ◆ L'altezza complessiva dei tagliabordi può essere regolata allentando il collare regolabile (5) e ruotandolo nella direzione della freccia mostrata in Figura F.
- ◆ Muovere l'alloggiamento superiore in su o in giù. Quando si raggiunge l'altezza desiderata, serrare il collare ruotandolo nella direzione opposta indicata nella Figura F.

**Rilascio del filo da taglio**

Durante il trasporto, il filo da taglio è fissato sull'alloggiamento della bobina con del nastro adesivo.

- ◆ Staccare il nastro adesivo che fissa il filo da taglio sull'alloggiamento della bobina .

**Funzionamento**

**Avvertenza!** Utilizzare sempre protezioni oculari adeguate.

**Avvertenza!** Prima di iniziare a tagliare, procurarsi il corretto tipo di filo da taglio.

**Nota:** ispezionare la zona di taglio e rimuovere qualsiasi filo, cavo, od oggetto filamentoso, che potrebbe impigliarsi nella linea di rotazione o nella bobina. Prestare particolare attenzione ad evitare qualsiasi filo che potrebbe piegarsi verso l'esterno nel percorso della macchina, come ad esempio fili spinati alla base di una recinzione.

**Accensione e spegnimento**

- ◆ Per accendere l'elettrotensile, premere il pulsante di sicurezza (2) e quindi premere il grilletto (1).
- ◆ Per spegnere l'elettrotensile, rilasciare l'interruttore a grilletto.

**Funzionamento del tagliabordi (Fig. F, G–G3)**

- ◆ Accendere l'elettrotensile e, inclinatolo, farlo oscillare da un lato all'altro come mostrato nella Figura G.
- ◆ Mantenere un angolo di taglio di 5°-10° come mostrato nella Figura G1. Non inclinare l'elettrotensile più di 10° (Figura G2). Tagliare con l'estremità del filo. Per mantenere la distanza dalle superficie dure servirsi della guida per bordi (7).
- ◆ Mantenere una distanza minima di 600mm tra la protezione e i piedi, come mostrato nella Figura G3. Per ottenere questa distanza, regolare l'altezza complessiva del tagliabordi come mostrato nella Figura F.

**Conversione alla modalità bordatura (Fig. H, I)**

**Avvertenza!** Quando il tagliabordi è utilizzato in modalità bordatura, il filo può colpire pietre, pezzi di metallo e altri oggetti lanciandoli in aria ad alta velocità. Il tagliabordi e la protezione sono progettati per ridurre i rischi. Tuttavia, **ACCERTARSI** che persone e animali domestici rimangano ad almeno 30 metri di distanza. Si otterranno i migliori risultati quando si tagliano bordi con erba alta più di 50 mm.

- ◆ Estrarre la batteria dal tagliabordi.
- ◆ Per il funzionamento in modalità bordatura, ruotare il collare (5) come mostrato in parte 1 della Figura H.
- ◆ Tenere l'albero di metallo e ruotare l'alloggiamento inferiore a 180°, come illustrato nella parte 2.
- ◆ Ruotare il collare fino a stringerlo.
- ◆ Sollevare la guida per bordi (7) nella posizione bordatura come mostrato in Figura I.
- ◆ Posizionare il tagliabordi sopra la superficie come mostrato in Figura J.
- ◆ Tornare alla posizione di tranciatura allentando il collare di blocco e ruotando l'alloggiamento inferiore nuovamente di 180°. Ruotare il collare fino a stringerlo.

**Suggerimenti utili per il taglio**

- ◆ Utilizzare la punta del filo per fare il taglio; non forzare la testa del filo nell'erba non tagliata. Utilizzare la guida per bordi lungo oggetti come recinzioni, case e aiuole per le applicazioni ottimali.
- ◆ I recinti di filo spinato e le staccionate causano un'ulteriore usura del filo, e persino la rottura. I muri di pietra e mattoni, i marciapiedi e il legno possono causare l'usura rapida del filo.
- ◆ Non lasciare che il coperchio della bobina si trascini per terra o su altre superfici.
- ◆ Nella crescita lunga tagliare dall'alto verso il basso e non superare i 300 mm di altezza.

- ◆ Mantenere i tagliabordi inclinati verso l'area da tagliare; questa è la zona di taglio ottimale.
- ◆ Il tagliabordi taglia quando l'unità passa da destra a sinistra. Questo consente di evitare che i detriti vengano scagliati contro l'operatore.
- ◆ Evitare alberi e arbusti. La corteccia degli alberi, le modanature in legno, i rivestimenti, e i pali di recinzione possono essere facilmente danneggiati dal filo.

### Filo da taglio / Alimentazione del filo

Il tagliabordi utilizza un filo in nylon rotondo di 1,65 mm di diametro. Durante l'uso, le punte dei fili di nylon si consumano e logorano e la speciale bobina di autoalimentazione si alimenterà automaticamente e taglierà una nuova lunghezza di filo. Il filo da taglio si usura più rapidamente e deve essere alimentato più di frequente se la tosatura o bordatura è eseguita lungo marciapiedi o altre superfici abrasive oppure se si stanno tagliando erbacce folte. Il meccanismo automatico avanzato di alimentazione del filo avverte quando è necessario più filo e alimenta e rifa la lunghezza corretta del taglio ogni volta che è necessario. Non urtare l'unità in terra nel tentativo di alimentare il filo o per qualsiasi altro scopo.

### Eliminazione degli inceppi e del filo aggrovigliato (Fig. K, L, M)

**Avvertenza!** Rimuovere la batteria dal tagliabordi prima di eseguire qualsiasi di montaggio, regolazione o sostituzione di accessori. Queste precauzioni riducono la possibilità che l'elettrodomestico venga messo in funzione accidentalmente. Di volta in volta, soprattutto durante il taglio erbacce spesse o alte, il mozzo di alimentazione del filo potrebbe rimanere ostruito con linfa o altro materiale e il filo si incepperà di conseguenza.

Per eliminare l'inceppamento, procedere come segue.

- ◆ Estrarre la batteria dal tagliabordi.
- ◆ Premere le linguette di rilascia (15) sul coperchio della bobina del filo (16), come mostrato nella Figura K e rimuovere il coperchio tirandolo via.
- ◆ Rimuovere la bobina del filo di nylon ed eliminare qualsiasi filo spezzato o detrito di taglio dalla zona della bobina.
- ◆ Posizionare la bobina e il filo nel coperchio della bobina con il filo „parcheggiato“ negli spazi previsti come mostrato in Figura L1.
- ◆ Inserire l'estremità del filo attraverso il foro appropriato nell'alloggiamento della bobina. Tirare il filo allentato finché non fuoriesce dalle fessure di tenuta come mostrato in Figura L2.
- ◆ Premere delicatamente la bobina verso il basso e ruotarla finché non si sente cadere in posizione e quindi spingerla per farla scattare in posizione. (Quando è in posizione, la bobina ruoterà liberamente di qualche grado a sinistra e a destra).
- ◆ Prestare attenzione a evitare che il filo non resti intrappolato sotto la bobina.
- ◆ Allineare le linguette del coperchio della bobina alle scanalature sull'alloggiamento della bobina.
- ◆ Far scattare nuovamente il coperchio della bobina come mostrato in Figura M premendo le alette e facendo pressione nell'alloggiamento della bobina.

**Nota:** Assicurarsi che il coperchio sia completamente posizionato, sentire due scatti per assicurarsi che entrambe le alette sia correttamente posizionate. Accendere l'apparecchio. Nel giro di pochi secondi si sentirà il filo di nylon mentre viene tagliato automaticamente alla lunghezza adeguata.

**Avvertenza!** Per evitare danni all'apparecchio, se il filo da taglio sporge oltre la lama di trancitura, tagliarlo in modo che raggiunga appena la lama.

**Nota:** Altre parti di ricambio (protezione, coperchi della bobina, ecc.) sono disponibili i centri di assistenza BLACK+DECKER. Per trovare il proprio centro di assistenza di zona visitare [www.blackanddecker.com](http://www.blackanddecker.com).

**Avvertenza!** Utilizzare accessori non raccomandati da BLACK+DECKER per l'impiego con questo apparecchio potrebbe essere pericoloso.

### Sostituzione della bobina (Fig. K, L, M, N)

- ◆ Estrarre la batteria dal tagliabordi.
- ◆ Tenere premute le linguette (15) e staccare il coperchio della bobina (16) dall'alloggiamento (17) nella testa del tagliabordi (Figura K).
- ◆ Afferrare la bobina vuota con una mano e l'alloggiamento della bobina con l'altra ed estrarre la bobina.
- ◆ Se la leva (18) (Figura N) alla base dell'alloggiamento esce di sede, riposizionarla correttamente prima di inserire la nuova bobina nell'alloggiamento.
- ◆ Eliminare l'eventuale sporcizia ed erba dalla bobina e dall'alloggiamento.
- ◆ Svolgere l'estremità del filo da taglio e infilarla nell'occhiello (L2) Figura L.
- ◆ Prendere la nuova bobina e premerla sul tronchetto (19) (Figura N) nell'alloggiamento. Ruotare leggermente la bobina fino a quando è installata. Il filo dovrebbe sporgere di circa 136 mm circa dall'alloggiamento.
- ◆ Allineare le linguette sul coperchio della bobina ai fori nell'alloggiamento (Figura M).
- ◆ Premere il coperchio sull'alloggiamento fino a quando si aggancia saldamente in sede.

### Riavvolgimento della bobina dal filo in matassa (Fig. O, P, Q)

Anche il filo in matassa è acquistabile presso i rivenditori locali. Nota: le bobine avvolte a mano da un filo in matassa tendono a imbroglarsi più facilmente di quelle avvolte in fabbrica da BLACK+DECKER. Per prestazioni migliori si raccomanda di usare sempre le bobine avvolte in fabbrica. Per inserire il filo in matassa, procedere nel modo seguente:

- ◆ Estrarre la batteria dall'apparecchio.
- ◆ Estrarre la bobina vuota dall'elettrotensile come descritto nella sezione „Sostituzione della bobina“
- ◆ Rimuovere il filo da taglio rimanente dalla bobina
- ◆ Fare un cappio all'estremità del filo da taglio a circa 19 mm (20). Infilare il filo da taglio in uno degli intagli di ancoraggio nella bobina (21) come illustrato nella Figura O.
- ◆ Inserire l'estremità da 19 mm del filo in matassa nel foro (22) nella bobina adiacente al foro come mostrato nella Figura P. Assicurarsi che il filo sia teso contro la bobina come mostrato in Figura P.



- ◆ Avvolgere il filo da taglio sulla bobina nella direzione della freccia sulla bobina. Accertarsi che il filo sia avvolto in modo accurato e a strati. Non incrociare (Figura Q).
- ◆ Quando il filo da taglio avvolto raggiunge le gole (23), tagliarlo (Figura P).
- ◆ Inserire la bobina nell'apparecchio come descritto nella sezione „Sostituzione della bobina“

## Manutenzione

Questo elettrotensile BLACK+DECKER con o senza filo è stato progettato per funzionare a lungo con una manutenzione minima. Per ottenere prestazioni sempre soddisfacenti occorre avere cura dell'elettrotensile e sottoporlo a pulizia periodica.

Il caricabatterie non richiede nessuna manutenzione, salvo una regolare pulitura.

**Avvertenza!** Prima di eseguire interventi di manutenzione su elettrotensili con o senza filo procedere come descritto di seguito.

- ◆ Spegnerne e scollegare l'elettrotensile dalla presa di corrente.
- ◆ Oppure spegnere ed estrarre la batteria se l'apparecchio/elettrotensile è dotato di battery pack a parte.
- ◆ Oppure scaricare completamente la batteria, se è di tipo integrale, quindi spegnerlo.
- ◆ Scollegare il caricabatterie prima di pulirlo. Il caricabatterie non richiede nessuna manutenzione, salvo una regolare pulitura.
- ◆ Pulire regolarmente le prese di ventilazione dell'elettrotensile e del caricabatterie con un pennello o con un panno morbido e asciutto.
- ◆ Il vano del motore deve essere pulito regolarmente con un panno umido. Non usare materiali abrasivi o detergenti a base di solventi.
- ◆ Pulire regolarmente il filo da taglio e la bobina con un pennello o un panno morbido e asciutto.
- ◆ Usare regolarmente un raschietto non affilato per eliminare erba e sporcizia dalla parte inferiore della protezione.

## Ricerca guasti

Problema	Soluzione
L'elettrotensile funziona lentamente.	Estrarre la batteria dai tagliabordi.  Controllare che l'alloggiamento della bobina possa ruotare liberamente. Pulirlo con attenzione se necessario.  Controllare che il filo da taglio non sporga più di circa 122 mm dall'alloggiamento della bobina. In caso affermativo, tagliarlo in modo che raggiunga appena la lama di tranciatura del filo da taglio.

Problema	Soluzione
Se l'alimentazione automatica del filo non funziona.	Viene alimentato più filo se il filo si accorcia a circa 76 mm. Per determinare se il filo non viene alimentato, lasciare che il filo si usuri oltre questo punto.  Tenere premute le linguette e rimuovere il coperchio della bobina con la bobina dall'alloggiamento della bobina nella testina dei tagliabordi.  Assicurarsi che il filo non si incroci sulla bobina come dettagliato in (Fig. Q). Se sì, svolgere il filo di taglio e riavvolgerlo in modo ordinato.  Ispezionare le guide al fondo della bobina per la presenza di danni. Se danneggiate, sostituire la bobina.  Tirare il filo da taglio fino a quando sporge di circa 122 mm dall'alloggiamento. Se sulla bobina è rimasta una quantità insufficiente di filo da taglio, montarne una nuova come descritto in precedenza. Allineare le linguette sul coperchio della bobina alle sfinesature nell'alloggiamento. Premere il coperchio sull'alloggiamento fino a quando si aggancia saldamente in sede. Se il filo da taglio sporge oltre la lama di tranciatura, tagliarlo in modo che raggiunga appena la lama. Se l'alimentazione automatica del filo continua a non funzionare, oppure se la bobina è inceppata, provare uno dei seguenti suggerimenti: Pulire con attenzione il coperchio e l'alloggiamento della bobina. Assicurarsi di utilizzare un filo della dimensione e diametro corretti (2,00 mm) - i fili di dimensioni più piccole e più grandi influenzeranno la funzionalità del sistema di alimentazione automatica. Rimuovere la bobina e controllare che la leva nell'alloggiamento della bobina possa muoversi liberamente. Rimuovere la bobina, srotolare il filo da taglio e quindi riavvolgerlo in modo ordinato. Riposizionare la bobina nell'alloggiamento.
Sovralimentazione	Assicurarsi di tagliare con la punta del filo a 177mm dalla bobina. Utilizzare la guida per bordi se necessario per garantire che venga mantenuto uno spazio adeguato. Assicurarsi di non superare un angolo di 10° come mostrato in (Fig.G1).
Il filo si svolge quando viene rimosso il coperchio o la bobina	Assicurarsi di sistemare i fili nei fori di tenuta (Figura L1) prima di rimuoverli.

## Protezione dell'ambiente



Raccolta differenziata. I prodotti e le batterie contrassegnati con questo simbolo devono essere smaltiti con i rifiuti domestici normali.

I prodotti e le batterie contengono materiali che possono essere recuperati o riciclati riducendo la richiesta di materie prime. Riciclare i prodotti elettrici e le batterie secondo le disposizioni locali.

**Dati tecnici**

		<b>ST182320</b>
Tensione in ingresso	V <sub>ac</sub>	18
Velocità a vuoto	min <sup>-1</sup>	9000
Peso	kg	2.05

<b>Batteria</b>		<b>BL2018</b>
Tensione	V <sub>ac</sub>	18
Capacità	A/h	2.0
Tipo		Li-Ion

<b>Caricabatteria</b>		<b>905902** (tipo 1)</b>
Tensione in ingresso	V <sub>ac</sub>	230
Tensione erogata	V <sub>ac</sub>	18
Corrente	mA	400

Valore medio quadratico ponderato dell'accelerazione secondo la normativa EN50636-2-91:

$$= < 3.6 \text{ m/s}^2, \text{ incertezza (K)} = 1,5 \text{ m/s}^2.$$

$$L_{w, \text{ (pressione sonora)}} 76 \text{ dB(A)}$$

$$\text{incertezza (K)} = 2,6 \text{ dB(A)}$$

**Dichiarazione di conformità CE**

DIRETTIVA MACCHINE  
DIRETTIVA SULLA RUMOROSITÀ ESTERNA



Tagliabordi a filo cordless ST182320

Black & Decker dichiara che i prodotti descritti al paragrafo "Dati tecnici" sono conformi alle seguenti normative:  
2006/42/EC, EN60335-1:2012 + A11:2014  
EN50636-2-91:2014

2000/14/CE, Decespugliatore tagliabordi, L ≤ 50 cm, Al-  
legato VI  
DEKRA Certification B.V., Utrechtseweg 310,  
6802 ED Arnhem, Paesi Bassi  
ID ente notificato n.: 0344

Livello di potenza acustica in base a 2000/14/CE  
(Articolo 12, Allegato III, L ≤ 50 cm):  
L<sub>w</sub> (pressione sonora misurata) 88 dB(A)  
incertezza (K) = 2,6 dB(A)

L<sub>w</sub> (pressione sonora garantita) 96 dB(A)

Questi prodotti sono conformi alle Direttive 2014/30/UE e 2011/65/UE. Per ulteriori informazioni contattare Black & Decker al seguente indirizzo oppure consultare l'ultima di copertina del manuale.

Il sottoscritto è responsabile della redazione di questo documento tecnico e rilascia questa dichiarazione per conto di Black & Decker.

R. Laverick  
Direttore tecnico  
Black & Decker Europe, 210 Bath Road, Slough,  
Berkshire, SL1 3YD  
Regno Unito  
15/11/2016

**Garanzia**

Black & Decker è sicura della qualità dei propri prodotti e offre ai consumatori una garanzia di 24 mesi dalla data di acquisto. Il presente certificato di garanzia è complementare ai diritti legali e non li pregiudica in alcun modo. La garanzia è valida sui territori degli stati membri dell'Unione Europea o dell'EFTA (Associazione europea di libero scambio). Per attivare la garanzia, il reclamo deve essere effettuato in accordo con i Termini e Condizioni Black & Decker e sarà necessario presentare la prova di acquisto al venditore o all'agente di riparazione autorizzato.

I Termini e condizioni della garanzia Black & Decker di 2 anni e la sede dell'agente di riparazione autorizzato più vicino sono consultabili su Internet all'indirizzo [www.2helpU.com](http://www.2helpU.com), o contattando l'ufficio Black & Decker di zona all'indirizzo indicato in questo manuale.

Visitare il nostro sito [www.blackanddecker.co.uk](http://www.blackanddecker.co.uk) per registrare il nuovo prodotto Black & Decker e ricevere gli aggiornamenti sui nuovi prodotti e le offerte speciali.

**Bedoeld gebruik**

Uw BLACK+DECKER trimmer, type ST182320, is ontworpen voor het maaien en afwerken van gazonranden en voor het maaien van gras in beperkte ruimten. Deze machine is uitsluitend bedoeld voor consumentengebruik.

**Instructies voor de veiligheid**

**Waarschuwing!** Bij apparaten voor gebruik op de netspanning moeten bepaalde elementaire voorzorgsmaatregelen, waaronder de navolgende, in acht worden genomen om het gevaar voor brand, elektrische schokken, persoonlijk letsel en materiële schade tot een minimum te beperken.

**Waarschuwing!** De veiligheidsregels moeten worden opgevolgd wanneer u de machine gebruikt. Lees voor uw eigen veiligheid en de veiligheid van omstanders deze instructies voordat u de machine gebruikt. Bewaar de instructies voor later gebruik.

- ◆ Lees deze handleiding zorgvuldig door voordat u het apparaat in gebruik neemt.
- ◆ In deze handleiding wordt het bedoeld gebruik beschreven. Het gebruik van accessoires of hulpstukken of de uitvoering van andere handelingen dan in deze gebruikershandleiding worden aanbevolen, kan een risico van persoonlijk letsel geven.
- ◆ Bewaar deze handleiding zodat u deze nog eens kunt raadplegen.

**Het apparaat gebruiken**

Ga bij gebruik van het apparaat altijd voorzichtig te werk.

- ◆ Gebruik altijd een veiligheidsbril of oogbescherming.

- ◆ Laat nooit kinderen, personen met verminderde fysieke, zintuiglijke of mentale vermogens of met een gebrek aan ervaring en kennis of mensen die niet bekend zijn met deze instructies, de machine gebruiken, ter plaatse geldende bepalingen zullen mogelijk een minimale leeftijd van de gebruiker voorschrijven.
- ◆ Werk nooit met de machine als er mensen, en vooral kinderen, of huisdieren dicht bij u in de buurt zijn.
- ◆ Laat kinderen of dieren niet in de buurt van de werkomgeving komen, en laat ze het apparaat niet aanraken.
- ◆ Let extra goed op wanneer u het apparaat in de buurt van kinderen gebruikt.
- ◆ Dit apparaat mag niet zonder supervisie door jonge of lichamelijk zwakke mensen worden gebruikt.
- ◆ Dit apparaat mag niet als speelgoed worden gebruikt.
- ◆ Gebruik het apparaat alleen bij daglicht of goed kunstlicht.
- ◆ Gebruik de machine alleen op een droge locatie. De machine mag niet nat worden.
- ◆ Gebruik het apparaat niet onder slechte weersomstandigheden, vooral niet wanneer er een risico van bliksem is.
- ◆ Dompel het apparaat niet onder in water.
- ◆ Open de behuizing niet. Het apparaat bevat geen onderdelen die door de gebruiker kunnen worden gerepareerd.
- ◆ Gebruik het apparaat niet in een omgeving met explosiegevaar, zoals in de nabijheid van brandbare vloeistoffen, gassen of stof.

- ◆ Het apparaat mag alleen worden gebruikt met de bij het apparaat geleverde voedingseenheid.

## Overige risico's

Er kunnen zich nog meer risico's voordoen bij het gebruik van dit gereedschap, die mogelijk niet in de bijgesloten veiligheidswaarschuwingen worden beschreven.

Deze risico's kunnen zich voordoen door onoordeelkundig gebruik, langdurig gebruik, enz.

Zelfs wanneer de veiligheidsvoorschriften in acht worden genomen en de veiligheidshulpmiddelen worden gebruikt, kunnen bepaalde risico's niet worden uitgesloten. Dit zijn onder meer:

- ◆ Verwondingen die worden veroorzaakt door het aanraken van draaiende/bewegende onderdelen.
- ◆ Verwondingen die worden veroorzaakt bij het vervangen van onderdelen, zaagbladen of accessoires.
- ◆ Verwondingen die worden veroorzaakt door langdurig gebruik van gereedschap. Wanneer u langere periodes met het gereedschap werkt, kunt u het beste regelmatig een pauze nemen.
- ◆ Gehoorbeschadiging.
- ◆ Gezondheidsrisico's door het inademen van stof dat vrijkomt bij gebruik van uw gereedschap (bijv.: het werken met hout, vooral eiken, beuken en MDF.)

## Na gebruik

- ◆ Bewaar het apparaat na gebruik op een droge, goed geventileerde plaats, buiten het bereik van kinderen.

- ◆ Houd de machine buiten het bereik van kinderen, ook wanneer deze is opgeborgen.
- ◆ Wanneer het apparaat in de auto ligt, moet u het apparaat in de kofferruimte plaatsen of goed vastzetten, zodat het apparaat niet kan wegschieten bij plotselinge veranderingen in snelheid of richting.

## Inspectie en reparaties

- ◆ Controleer de machine vóór gebruik op beschadiging en defecten. Controleer het vooral op gebroken onderdelen en andere omstandigheden die de werking ervan kunnen beïnvloeden.
- ◆ Gebruik het apparaat niet als één of meer onderdelen beschadigd is of defect.
- ◆ Laat beschadigde of defecte onderdelen door een geautoriseerd servicecentrum repareren of vervangen.
- ◆ Probeer nooit andere onderdelen te verwijderen of vervangen dan in deze handleiding zijn vermeld.

## Veiligheid van anderen

- ◆ Dit apparaat mag worden gebruikt door kinderen van 8 jaar en ouder en personen die lichamelijk of geestelijk minder valide zijn of die geen ervaring met of kennis van dit apparaat hebben, mits deze onder toezicht staan of instructies krijgen voor veilig manier gebruik van het apparaat en inzicht hebben in de mogelijke gevaren. Kinderen mogen niet met het apparaat spelen. Laat kinderen nooit zonder toezicht het apparaat schoonmaken of onderhouden.

- ◆ Houd toezicht op kinderen om ervoor te zorgen dat zij niet met het apparaat gaan spelen.

gereedschap stationair loopt alsook de aanlooptijd.

## Aanvullende veiligheidsinstructies voor grastrimmers

**Waarschuwing!** Maai-elementen blijven nog even draaien nadat de motor is uitgeschakeld.

## Trillingen

De aangegeven waarden voor trillingsemissie in de technische gegevens en de conformiteitsverklaring zijn gemeten conform een standaardtestmethode die door EN50636 wordt geboden. Hiermee kan het ene gereedschap met het andere worden vergeleken. De aangegeven waarde voor trillingsemissie kan ook worden gebruikt bij een voorlopige bepaling van blootstelling.

**Waarschuwing!** De waarde voor trillingsemissie tijdens het werkelijke gebruik van het gereedschap kan verschillen van de aangegeven waarde afhankelijk van de manieren waarop het gereedschap wordt gebruikt. Het trillingsniveau kan hoger worden dan het aangegeven niveau.

Wanneer de blootstelling aan trillingen wordt vastgesteld teneinde veiligheidsmaatregelen te bepalen die worden vereist door 2002/44/EG ter bescherming van personen die tijdens hun werk regelmatig elektrische gereedschappen gebruiken, moet bij een schatting van de blootstelling aan trillingen rekening worden gehouden met de werkelijke omstandigheden van het gebruik en de manier waarop het gereedschap wordt gebruikt. Daarbij moet ook rekening worden gehouden met alle stappen in de gebruikscyclus, zoals het moment waarop het gereedschap wordt uitgeschakeld en wanneer het

- ◆ Zorg ervoor dat u vertrouwd bent met de bedieningselementen en met het juiste gebruik van het apparaat.
- ◆ Neem altijd de accu uit het apparaat wanneer u het onbeheerd achterlaat, voordat u een blokkering gaat verhelpen, voordat u reinigings- en onderhoudswerkzaamheden gaat uitvoeren, nadat u een voorwerp hebt geraakt of wanneer het apparaat ongewoon begint te trillen.
- ◆ Draag stevig schoeisel ter bescherming van uw voeten.
- ◆ Draag een lange broek ter bescherming van uw benen.
- ◆ Controleer, voordat u het apparaat gaat gebruiken, dat het terrein dat u gaat maaien vrij is van stokken, stenen, draad en andere obstakels.
- ◆ Gebruik het apparaat alleen rechtop, met de snijdraad dicht bij de grond. Schakel het apparaat nooit in een andere stand in.
- ◆ Beweeg langzaam wanneer u het apparaat gebruikt. Let erop dat vers gemaaid gras vochtig en glad is.
- ◆ Werk niet op steile hellingen. Werk dwars over het vlak van een helling, niet omhoog en omlaag.
- ◆ Steek nooit grindpaden of wegen over wanneer het apparaat is ingeschakeld.

- ◆ Raak nooit de nooit de snijdraad aan terwijl het apparaat in werking is.
- ◆ Leg het apparaat niet weg voordat de snijdraad helemaal tot stilstand is gekomen.
- ◆ Gebruik alleen het juiste type snijdraad. Gebruik nooit metalen snijdraad of visdraad.
- ◆ Zorg ervoor dat u de snijdraadkap niet aanraakt.
- ◆ Houd uw handen en voeten te allen tijde weg bij de snijdraad, vooral wanneer u de motor inschakelt.
- ◆ Controleer het apparaat op tekenen van slijtage of schade, en repareer deze indien nodig, voordat u het apparaat gebruikt en nadat het apparaat ergens tegenaan is gestoten.
- ◆ Gebruik het apparaat nooit met beschadigde beschermkappen of zonder beschermkappen.
- ◆ Ga voorzichtig te werk zodat u geen verwondingen oploopt door een toestel waarmee de snijlijn op lengte wordt gesneden. Nadat u een nieuwe snijlijn hebt uitgetrokken, moet u het apparaat terugbrengen naar de normale gebruikspositie voordat u het apparaat inschakelt.
- ◆ Bewaar de accu niet op locaties waar de temperatuur kan stijgen tot boven 40 °C.
- ◆ Laad de accu's alleen op bij een omgevingstemperatuur van 10 °C en 40 °C.
- ◆ Laad de accu alleen op in de lader die bij het gereedschap wordt geleverd.
- ◆ Gooi lege accu's weg volgens de instructies in het gedeelte "Het milieu beschermen".

## Laders

- ◆ Gebruik de lader van BLACK+DECKER alleen voor de accu's in het apparaat waarbij de lader is geleverd. Andere accu's kunnen barsten, met letsel en materiële schade tot gevolg.
- ◆ Niet-oplaadbare accu's mogen nooit worden opgeladen.
- ◆ Laat defecte snoeren direct vervangen.
- ◆ Stel de lader niet bloot aan water.
- ◆ Maak de lader niet open.
- ◆ Steek niet met een scherp voorwerp in de lader.



De lader is uitsluitend bestemd voor gebruik binnenshuis.



Lees de instructiehandleiding voordat u de lader in gebruik neemt.

## Zorg er altijd voor dat de ventilatiesleuven niet verstopt raken. Aanvullende veiligheidsinstructies voor accu's en laders

### Accu's

- ◆ Probeer nooit om welke reden dan ook de accu open te maken.
- ◆ Stel de accu niet bloot aan water.

## Elektrische veiligheid



De lader is dubbel geïsoleerd, en daarom is een aarddraad niet nodig. Controleer altijd dat de netspanning overeenkomt met de waarde op het typeplaatje. Probeer nooit de lader te voorzien van een normale netstekker.

- ◆ Als het netsnoer is beschadigd, moet het door de fabrikant of door een geautoriseerd BLACK+DECKER-servicecentrum worden vervangen, zodat gevaarlijke situaties worden voorkomen.

## Labels op het apparaat

Behalve de datumcode vindt u op de machine de volgende symbolen:



Lees de handleiding voordat u met het apparaat gaat werken.



Draag een veiligheidsbril of een stofbril als u dit apparaat gebruikt.



Maak gebruik van goede gehoorbescherming wanneer u dit apparaat gebruikt.



Haal de accu altijd uit het apparaat voordat u reinigings- of onderhoudswerkzaamheden gaat uitvoeren.



Wees bedacht op rondvliegende voorwerpen. Houd omstanders uit de buurt van het maaigebied.



Stel de machine niet bloot aan regen of een hoge luchtvochtigheid.



Richtlijn 2000/14/EG  
gegarandeerd geluidsvermogen.

## Onderdelen

Deze machine heeft enkele van de volgende functies of allemaal.

1. Trekker
2. Vergrendelingsknop Uit-stand
3. Handgreep
4. Hulphandgreep
5. Kraag voor hoogteaanpassing
6. Trimmerkop
7. Kantengeleider
8. Beschermkap
9. Spoelbehuizing
10. Accu

## De accu opladen (Afb. A)

De accu moet vóór het eerste gebruik worden opgeladen, en ook zodra de accu niet meer voldoende vermogen levert voor taken die eerst gemakkelijk konden worden uitgevoerd. Tijdens het opladen kan de accu warm worden. Dit is normaal en duidt niet op een probleem.

**Waarschuwing!** Laad de batterij niet op bij een omgevings-temperatuur van lager dan 10 °C of hoger dan 40 °C. De aanbevolen laadtemperatuur ligt op ongev. 24 °C.

**Opmerking:** De lader functioneert niet als de temperatuur van de accu lager is dan ongeveer 10° C of hoger dan 40° C. Laat de accu in dat geval in de lader zitten. De lader wordt automatisch ingeschakeld wanneer de accu de juiste temperatuur heeft.

- ◆ Steek de lader in een geschikt stopcontact voordat u de accu plaatst.
- ◆ Plaats de accu in de lader.



Het groene oplaadlampje gaat knipperen ten teken dat de accu wordt opgeladen.



Wanneer de accu geheel is opgeladen, blijft het groene lampje ononderbroken branden. De accu is nu volledig opgeladen en kan worden gebruikt of in de acculader blijven zitten.

**Waarschuwing!** Laad accu's die leeg zijn zo spoedig mogelijk na gebruik op, omdat anders de levensduur van de accu mogelijk ernstig wordt bekort.

## Diagnose van de accu door de lader

Deze lader is zo ontworpen dat bepaalde problemen die zich kunnen voordoen met accu's of met de stroomvoorziening, kunnen worden gedetecteerd. Problemen worden aangeduid door middel van een LED die in verschillende patronen knippert.

## Slechte accu



De lader kan vaststellen dat een accu zwak is of beschadigd. De rode LED knippert in een patroon dat op het label wordt aangeduid. Ziet u het lampje in dit patroon van een slechte accu knipperen, ga dan niet door met het opladen van de accu. Breng de accu terug naar het service Centrum of naar een inzamellocatie waar de accu kan worden gerecycled.

## Hot/Cold Pack Delay (Vertraging Hete/Koude Accu)



Wanneer de lader waarneemt dat een accu veel te warm of veel te koud is, wordt onmiddellijk een Hot/Cold Delay gestart en wordt het laden uitgesteld tot de accu een normale temperatuur heeft bereikt. Zodra dit het geval is, schakelt de lader automatisch over op de stand Pack Charging. Deze functie waarborgt een maximale levensduur van de accu. De rode LED knippert in het patroon dat wordt aangeduid op het label wanneer een Hot/Cold Pack Delay wordt gedetecteerd.

## De accu in de lader laten zitten

U kunt de accu voor onbeperkte tijd in de lader laten zitten terwijl het oplaadlampje brandt. De lader zorgt ervoor dat de accu altijd volledig is opgeladen is.

## Belangrijke opmerkingen over opladen

- ◆ De langste levensduur en de beste prestaties kunnen worden behaald als de accu wordt opgeladen wanneer de luchttemperatuur is tussen 18° en 24 °C. LAAD de accu NIET op bij een luchttemperatuur lager dan +4,5 °C of hoger dan +40,5 °C. Dit is belangrijk en zal ernstige beschadiging van de accu voorkomen.
- ◆ De lader en de accu kunnen tijdens het opladen warm aanvoelen. Dit is normaal en wijst niet op een probleem. Plaats de accu en de lader na gebruik niet in een warme omgeving, zoals een metalen schuur of een niet-geïsoleerde aanhangwagen, laat ze op een koele plaats afkoelen,
- ◆ Als de accu niet goed oplaadt:
  - ◆ Controleer dat er spanning op het stopcontact staat door een lamp of een ander apparaat aan te sluiten.
  - ◆ Controleer of het stopcontact misschien wordt onderbroken door een schakelaar, die het licht uitschakelt en het stopcontact stroomloos maakt.
  - ◆ Verplaats de lader en de accu naar een ruimte waar de luchttemperatuur tussen 18° en 24 °C ligt.
  - ◆ Houd het probleem met het laden aan, breng dan het apparaat, de accu en de lader naar het servicecentrum bij u in de buurt.

- ◆ De accu moet opnieuw worden opgeladen wanneer deze niet voldoende vermogen levert voor werkzaamheden die eerder zonder veel moeite werden gedaan. **WERK NIET LANGER MET HET GEREEDSCHAP** in deze toestand. Volg de procedure voor het laden. U kunt ook een gedeeltelijk lege accu opladen, wanneer u dat maar wilt, zonder dat dat negatieve gevolgen heeft voor de accu.
- ◆ Bepaalde materialen die geleidend zijn, zoals, maar niet uitsluitend, staalwol, aluminiumfolie of een opeenhoping van metaalachtige deeltjes, kunnen beter bij de holtes van de lader worden weggehouden. Trek altijd de stekker uit het stopcontact wanneer er geen accu in de lader zit. Trek de stekker van de lader uit het stopcontact voordat u de lader gaat reinigen.
- ◆ Laat de lader niet bevriezen en dompel de lader niet onder in water of een andere vloeistof.

**Waarschuwing!** Gevaar voor elektrische schok. Laat geen vloeistof in de lader dringen. Probeer nooit om welke reden dan ook de accu te openen. Als de kunststof behuizing van de accu breekt of scheurt, breng de accu dan naar het servicecentrum waar deze kan worden gerecycled.

## De accu in het apparaat plaatsen en eruitnemen

**Waarschuwing!** Controleer dat de vergrendelingsknop voor de Uit-stand niet is ingeschakeld ter voorkoming van inschakeling, voordat u de accu uitneemt of plaats..

## De accu plaatsen

Steek de accu (10) in het apparaat en duw tot u een klik hoort (Afbeelding B). Controleer dat de accu geheel op zijn plaats zit en goed is vergrendeld.

## De accu uitnemen

Druk op de accuvrijgaveknop (11) zoals wordt getoond in Afbeelding C, en trek de accu uit het apparaat.

## Montage

**Waarschuwing!** Schakel voorafgaand aan de montage vooraf het gereedschap uit en verwijder de accu.

**Gereedschap voor montage (niet bijgeleverd):**

Kruiskopschroevendraaier.

## De beschermkap monteren (Afb. D, E)

**Waarschuwing!** Bevestig de beschermkap, de kantgeleider en de handgreep pas wanneer u de accu uit de machine hebt gehaald. Werk nooit met de machine zonder dat de beschermkap stevig is geplaatst. De beschermkap moet altijd op de machine zijn gemonteerd ter bescherming van de gebruiker.

- ◆ Draai de schroef uit de beschermkap.
- ◆ Draai de trimmer ondersteboven, zodat u op de spoelkap (16) kijkt.
- ◆ Draai de beschermkap (8) ondersteboven en schuif deze volledig op de motorbehuizing (12). Controleer dat de nokken (13) op de beschermkap in de gaten (14) van de motorbehuizing glijden, zoals wordt getoond in Afbeelding D.
- ◆ Schuif de beschermkap verder door tot u de kap op zijn plaats hoort klikken.



- ◆ Voltooi de montage van de beschermkap door de beschermkapschroef met een kruiskopschroevendraaier in te draaien en stevig vast te zetten, zoals in Afbeelding E wordt getoond.
- ◆ Verwijder, wanneer de beschermkap is geïnstalleerd, de afdekking van het draadsnijvlak, die zich op de rand van de beschermkap bevindt.

**Waarschuwing!** Gebruik het gereedschap nooit wanneer de beschermkap niet op juiste wijze is bevestigd.

### Hoogte instellen (Afb. F, G–G3)

**Waarschuwing!** Pas de lengte van de trimmer aan voor een geschikte werkpositie, zoals wordt getoond in afbeeldingen G - G3.

- ◆ De totale hoogte van de trimmer kan worden aangepast door de kraag voor de hoogte-afstelling (5) los te draaien en in de richting van de pijl te draaien, zoals wordt getoond in Afbeelding F.
- ◆ Verplaats de bovenste behuizing recht omhoog of omlaag. Zet, wanneer de gewenste hoogte is bereikt, de kraag vast door deze in de richting te draaien die tegengesteld is aan de richting die in Afbeelding F wordt getoond.

### De snijdraad losmaken

Tijdens transport is de snijdraad aan de spoelbehuizing bevestigd met tape.

- ◆ Verwijder de tape waarmee de snijdraad aan de spoelbehuizing vast zit.

### Bediening

**Waarschuwing!** Draag altijd de juiste oogbescherming.

**Waarschuwing!** Gebruik voor het maaien alleen het juiste type snijdraad.

**Opmerking:** inspecteer het gebied dat u wilt trimmen en verwijder draad, snoer en touw die verstrikt zouden raken in de draaiende draad of spoel. Let er vooral goed op dat u uit de buurt blijft van draad dat naar buiten kan zijn gebogen naar het apparaat toe, zoals losse stukken draad aan de onderzijde van een afrastering.

### In- en uitschakelen

- ◆ U schakelt het apparaat in door op de vergrendelingsknop Uit-stand (2) te duwen, en de Aan/Uit-schakelaar (1) in te knijpen.
- ◆ U schakelt het apparaat uit door de Aan/Uit-schakelaar los te laten.

### De trimmer gebruiken (Afb. F, G–G3)

- ◆ Beweeg terwijl de trimmer is ingeschakeld, de machine onder een hoek met een zwaaibeweging heen en weer, zoals wordt getoond in afbeelding G.
- ◆ Houd een maaihoek van 5° tot 10° aan, zoals wordt getoond in Afbeelding G1. Werk niet onder een hoek van meer dan 10° (Afbeelding G2). Maai met het uiteinde van de draad. Bewaar met behulp van de kantengeleider (7) afstand tot harde oppervlakken.
- ◆ Neem een afstand van minimaal 600 mm in acht tussen de beschermkap en uw voeten, zoals in Afbeelding G3 wordt getoond. Stel de totale hoogte van de trimmer af op deze afstand, zoals wordt getoond in Afbeelding F.

### Omschakelen naar kanten trimmen (Afb. H, I)

**Waarschuwing!** Wanneer de machine wordt gebruikt als kantentrimmer, kunnen stenen, stukken metaal en andere voorwerpen door de draad met hoge snelheid worden weggeslingerd. De trimmer en beschermkap zijn ontworpen met het oog op het verminderen van het gevaar. Maar **ZIE EROP TOE** dat andere personen en huisdieren zich op een afstand van ten minste 30 m bevinden. De beste maairesultaten worden verkregen op randen die dieper dan 50 mm zijn.

- ◆ Neem de accu uit de trimmer.
- ◆ Draai voor onderhoud van de gazonkanten de kraag (5) zoals wordt getoond in deel 1 van Afbeelding H.
- ◆ Houd de metalen as vast en draai de onderste behuizing 180°, zoals in deel 2 wordt getoond.
- ◆ Draai de kraag totdat deze vastzit.
- ◆ Til de kantengeleider (7) in de stand voor het trimmen van gazonkanten, zoals wordt getoond in Afbeelding I.
- ◆ Plaats de trimmer boven het oppervlak zoals wordt getoond in Afbeelding J.
- ◆ Keer terug naar de trimstand door de vergrendelingskraag los te draaien en de onderste behuizing 180° terug te draaien. Draai de kraag totdat deze vastzit.

### Nuttige tips voor het maaien

- ◆ Maai met de punt van de draad; duw niet de draadkop in ongemaaid gras. Gebruik voor het beste resultaat de kantengeleider langs schuttingen, gevels en bloembedden.
- ◆ Op schuttingen van draad en van paaltjes kan de draad extra slijten, en zelfs breken. Op gemetselde muurtjes en muurtjes van natuursteen, op trottoirs en op hout kan de snaar snel slijten.
- ◆ Laat de spoelkap niet over de grond of over andere oppervlakken slepen.
- ◆ Maai hoge begroeiing van boven af en niet meer dan 300 mm in één keer.
- ◆ Houd de trimmer gekanteld in de richting van het gemaaide gebied; daar werkt de trimmer het best.
- ◆ De trimmer maait wanneer u de machine van rechts naar links beweegt. Er wordt dan geen vuil in de richting van de gebruiker geslingerd.
- ◆ Blijf uit de buurt van bomen en struiken. Boomschors, houtstructuren, houten planken en schuttingpalen kunnen gemakkelijk door de draad worden beschadigd.

### Maailijn / lijnaanvoer

Uw trimmer gebruikt ronde nylon lijn met een diameter van 1,65 mm. Tijdens gebruik rafelen de punten van de nylon lijn en slijten weg en de speciale zelf-werkende spoel voert automatisch lijn aan zodat de lijn op lengte blijft. De snijdraad slijt sneller en moet vaker verlengd worden wanneer u vaak langs stoepen of andere schurende oppervlakken maait, of wanneer u zwaardere begroeiing maait. Het geavanceerde automatische lijnaanvoermecanisme merkt wanneer meer snijdraad wordt gevraagd en brengt de lijn op de juiste lengte, wanneer dat maar nodig is. Stoot de machine niet op de grond, ook niet met het doel lijn aan te voeren.

## Blokkeringen verhelpen en lijn ontwarren (Afbeeldingen K, L, M)

**Waarschuwing!** Neem de accu uit de trimmer, voordat u iets monteert of aanpast of voordat u accessoires wisselt. Deze voorzorgsmaatregelen helpen onbedoeld starten van de machine te voorkomen. Van tijd tot tijd, vooral wanneer u dikke of stugge begroeiing maait, kan de aanvoer van de lijn verstopt raken met sappen of andere materialen en als gevolg daarvan loopt de lijn vast. Volg onderstaande stappen voor het verhelpen van de verstopping.

- ◆ Neem de accu uit de trimmer.
- ◆ Druk op de vrijgavenokken (15) op de lijnspoelkap (16), zoals wordt getoond in Afbeelding K en trek de kap in een rechte lijn los.
- ◆ Trek de spoel van de nylon lijn naar buiten en verwijder eventuele gebroken lijn of snijd vuil bij de spoel weg.
- ◆ Plaats de spoel en de lijn in de spoelkap met de lijn „geparkeerd“ in de aanwezige sleuven, zoals wordt getoond in Afbeelding L1.
- ◆ Steek het uiteinde van de lijn door het juiste gat in de spoelbehuizing. Trek losse lijn door totdat de lijn uit de vasthoudsleuven komt, zoals wordt getoond in Afbeelding L2.
- ◆ Druk de spoel voorzichtig omlaag, draai de spoel tot u voelt dat deze op zijn plaats valt en klik de spoel vervolgens vast. (Wanneer de spoel op z'n plaats zit, kunt u de spoel gemakkelijk een paar graden naar links en naar rechts draaien).
- ◆ Let erop dat de lijn niet vast komt te zitten onder de spoel.
- ◆ Houd de nokken van de spoelkap tegenover de sleuven op de spoelbehuizing.
- ◆ Klik de spoelkap weer op de spoel, zoals wordt getoond in Afbeelding M, door op de uitsparingen te drukken en deze in de spoelbehuizing te drukken.

**Opmerking:** Controleer dat de afdekking geheel is geplaatst, luister dat u twee klikken hoort zodat u zeker weet dat de beide uitsparingen goed zijn geplaatst. Zet de machine aan. In een paar seconden of minder hoort u dat de nylon lijn automatisch op de juiste lengte wordt afgeknipt.

**Waarschuwing!** Als de snijdraad verder uitsteekt dan het trimblad, moet u de draad afsnijden zodat deze niet voorbij het blad uitsteekt en beschadiging van de trimmer wordt voorkomen.

**Opmerking:** Andere reserveonderdelen (beschermkappen, spoelkappen, enz.) zijn verkrijgbaar bij BLACK+DECKER-servicecentra. Kijk waar het servicecentrum bij u in de buurt is gevestigd op [www.blackanddecker.com](http://www.blackanddecker.com).

**Waarschuwing!** Gebruikt u hulpstukken die niet door BLACK+DECKER worden aanbevolen voor deze trimmer, kan dat leiden tot gevaarlijke situaties.

## De spoel vervangen (Afb. K, L, M, N)

- ◆ Neem de accu uit de machine.
- ◆ Houd de nokken (15) ingedrukt en verwijder de spoelkap (16) van de behuizing (17) (Afbeelding K).
- ◆ Pak de lege spoel met één hand vast en de spoelbehuizing met de andere hand en trek de spoel naar buiten.
- ◆ Als de hendel (18) (Afbeelding N) onderin de behuizing van zijn plaats raakt, zet u deze terug op zijn plaats en plaatst u daarna de nieuwe spoel in de behuizing.
- ◆ Verwijder alle vuil en gras van de spoel en de behuizing.

- ◆ Maak het uiteinde van de snijdraad los en leid de draad door het oogje (L2) Afbeelding L.
- ◆ Neem de nieuwe spoel en druk deze op de naaf (19) (Afbeelding N) in de behuizing. Draai de spoel wat tot op z'n plaats valt. De draad moet ongeveer 136 mm uit de behuizing steken.
- ◆ Houd de nokken op de spoelkap tegenover de sleuven in de behuizing (Afbeelding M).
- ◆ Druk de kap op de behuizing, tot deze stevig vastklikt.

## De spoel vullen van een draadklos (Afb. O, P, Q)

Draad op een draadklos is ook verkrijgbaar bij uw plaatselijke detailhandelaar. Opmerking: Met de hand van een draadklos gewikkelde spoelen zullen waarschijnlijk vaker in de war raken dan in de fabriek gewikkelde spoelen van BLACK+DECKER. Voor een optimaal resultaat wordt het gebruik van in de fabriek gewikkelde spoelen aanbevolen. Volg de onderstaande stappen als u de draad van de draadklos gebruikt:

- ◆ Neem de accu uit de machine.
- ◆ Verwijder de lege spoel uit de trimmer, zoals wordt beschreven in „De spoel vervangen“.
- ◆ Verwijder overgebleven snijdraad van de spoel.
- ◆ Vouw de snijdraad op ongeveer 19 mm (20) van het einde. Voer de snijdraad in een van de draadverankeringsleuven (21), zoals wordt getoond in Afbeelding O.
- ◆ Steek de 19 mm van het einde van de draadklos in het gat (22) in de spoel naast de sleuf, zoals wordt getoond in Afbeelding P. Controleer dat de lijn strak tegen de spoel is getrokken, zoals wordt getoond in Afbeelding P.
- ◆ Wikkel de snijdraad op de spoel, in de richting van de pijl op de spoel. Let erop u de draad netjes en in lagen opwikkel. Wikkel de draad niet kriskras over de spoel (Afbeelding Q).
- ◆ Wanneer de gewikkelde snijdraad bij de uitsparingen (23) komt, moet u de draad afsnijden (Afbeelding P).
- ◆ Plaats de spoel op de trimmer, zoals wordt beschreven in „De spoel vervangen“.

## Onderhoud

Uw BLACK+DECKER-machine/-gereedschap (met netsnoer/snoerloos) is ontworpen om gedurende langere tijd te functioneren met een minimum aan onderhoud. U kunt het gereedschap/de machine naar volle tevredenheid blijven gebruiken als u voor correct onderhoud zorgt en het/haar regelmatig schoonmaakt. Behalve regelmatige reiniging vraagt de lader geen onderhoud.

**Waarschuwing!** Ga altijd als volgt te werk voor u onderhouds- of reinigingswerkzaamheden aan het gereedschap (met snoer/snoerloos) uitvoert.

- ◆ Schakel het gereedschap/apparaat uit en trek de stekker uit het stopcontact.
- ◆ Of schakel het gereedschap/apparaat en haal de accu eruit, als het een aparte accu heeft.
- ◆ Maak de accu geheel leeg, als de accu een integraal onderdeel van het gereedschap is en schakel het apparaat vervolgens uit.
- ◆ Neem de lader uit het stopcontact voordat u deze schoonmaakt. Behalve regelmatige reiniging vereist de lader geen onderhoud.

- ◆ Reinig regelmatig de ventilatieopeningen van het gereedschap/apparaat en de lader met een zachte borstel of een droge doek.
- ◆ Reinig de behuizing van de motor regelmatig met een vochtige doek. Gebruik niet een schurend schoonmaakmiddel of een schoonmaakmiddel op basis van een oplosmiddel.
- ◆ Reinig de snijdraad en de spoel regelmatig met een zachte borstel of een droge doek.
- ◆ Haal regelmatig met een botte krabber gras en vuil van onder de beschermkap.

## Problemen oplossen

Probleem	Oplossing
De machine draait langzaam	<p>Neem de accu uit de trimmer.</p> <p>Controleer dat de spoelbehuizing vrij kan draaien. Reinig de behuizing zorgvuldig, indien nodig.</p> <p>Controleer dat de snijdraad niet meer dan ongeveer 122 mm uit de spoel steekt. Als de snijdraad meer uitsteekt, moet u de draad afsnijden zodat deze niet verder dan het snijdraadblad reikt.</p>
De automatische draadaanvoer werkt niet	<p>Er wordt meer draad aangevoerd wanneer de draad ongeveer 76 mm lang wordt. U kunt vaststellen of de draad niet wordt aangevoerd door te wachten tot de draad is afgesleten tot dit punt.</p> <p>Houd de nokken ingedrukt en neem de spoelkap met de spoel uit de spoelbehuizing in de trimmerkop.</p> <p>Let erop dat de draad niet kriskras over de spoel loopt, zoals wordt uiteengezet in (Afb. Q). Als de snijdraad los is geraakt, wind de draad dan weer netjes op.</p> <p>Inspecteer de sporen op de onderzijde van de spoel op beschadigingen. Vervang de spoel als er beschadigingen zijn.</p> <p>Trek aan de snijdraad tot deze ongeveer 122 mm uit de spoel steekt. Als er niet meer voldoende snijdraad op de spoel zit, plaats dan een nieuwe spoel met snijdraad.</p> <p>Houd de nokken op de spoelkap tegenover de uitsparingen in de behuizing.</p> <p>Duw de kap op de behuizing tot deze stevig vastklikt.</p> <p>Als de snijdraad buiten de snijdraadkap steekt, moet u de draad afsnijden tot aan het blad. Als de automatische toevoer nu nog niet werkt, of wanneer de spoel is vastgelopen, probeer dan de volgende suggesties:</p> <p>Reinig de spoel en de behuizing zorgvuldig.</p> <p>Controleer dat u de juiste draadafmeting en diameter (2,00 mm) gebruikt - het gebruik van kleinere en grotere afmetingen heeft gevolgen voor het functioneren van het automatische aanvoersysteem.</p> <p>Verwijder de spoel en controleer of de hendel in de spoelbehuizing vrij kan bewegen.</p> <p>Verwijder de spoel en wikkel de snijdraad af en wikkel de draad vervolgens netjes weer op. Zet de spoel weer in de behuizing.</p>

Probleem	Oplossing
Te veel aanvoer	<p>Let erop dat u de draad afsnijdt met de punt van de draad op 177 mm van de spoel. Zorg er eventueel met de kantengeleiding voor dat de juiste afstand wordt aangehouden.</p> <p>Let erop dat u niet werkt onder een hoek van meer dan 10°, zoals wordt getoond in (Afb. G1).</p>
Draad komt los wanneer de kap of de spoel wordt uitgenomen	Denk eraan de draden vast te zetten in de vasthoudsleuven (Afb. L1), voordat u de kap of de spoel uitneemt.

## Het milieu beschermen



Gescheiden afvalinzameling. Producten en accu's die zijn voorzien van dit symbool mogen niet bij het normale huishoudafval worden weggegooid.

Producten en accu's bevatten materialen die kunnen worden teruggewonnen of gerecycled, wat de vraag naar grondstoffen doet afnemen. Recycle elektrische producten en accu's volgens de ter plaatse geldende bepalingen.

## Technische gegevens

		ST182320
Ingangsspanning	$V_{ac}$	18
Onbelaste snelheid	min <sup>-1</sup>	9000
Gewicht	kg	2.05

		BL2018
Spanning	$V_{dc}$	18
Capaciteit	Ah	2.0
Type		Li-Ion

		905902** (typ. 1)
Ingangsspanning	$V_{ac}$	230
Uitgangsspanning	$V_{dc}$	18
Laadstroom	mA	400

Gewogen waarde van hand-arm-trilling volgens EN50636-2-91:

= < 3.6 m/s, onzekerheid (K) = 1,5 m/s.

$L_{pA}$  (geluidsdruk) 76 dB(A)

onzekerheid (K) = 2,6 dB(A)

## EG-conformiteitsverklaring

RICHTLIJN VOOR MACHINES  
RICHTLIJN VOOR GELUID BUITENSHUIS



ST182320 Snoerloze Draadtrimmer

Black & Decker verklaart dat deze producten, beschreven bij 'Technische gegevens', voldoen aan: 2006/42/EC, EN60335-1:2012 + A11:2014 EN50636-2-91:2014

2000/14/EG, Gazontrimmer, L ≤ 50 cm, bijlage VI DEKRA Certification B.V., Utrechtseweg 310, 6802 ED Arnhem, Nederland Aangemelde instantie ID Nr.: 0344

Niveau van akoestisch vermogen volgens 2000/14/EC (Artikel 12, Bijlage III, L ≤ 50 cm):  
 $L_w$  (gemeten geluidsvermogen) 88 dB(A)  
 onzekerheid (K) = 2.6 dB(A)  
 $L_{wa}$  (gegarandeerd geluidsvermogen) 96 dB(A)

Deze producten voldoen tevens aan richtlijn 2014/30/EU en 2011/65/EU. Neem voor meer informatie contact op met Black & Decker op het volgende adres of raadpleeg de achterzijde van de handleiding.

Ondergetekende is verantwoordelijk voor de samenstelling van het technische bestand en legt deze verklaring af namens Black & Decker.



R. Laverick  
 Director of Engineering  
 Black & Decker Europe, 210 Bath Road, Slough,  
 Berkshire, SL1 3YD  
 Verenigd Koninkrijk  
 15/11/2016

**Garantie**

Black & Decker heeft vertrouwen in zijn producten en biedt consumenten een garantie van 24 maanden vanaf de aankoopdatum. Deze garantie vormt een aanvulling op uw wettelijke rechten en beperken deze niet. De garantie is geldig op het grondgebied van de Lidstaten van de Europese Unie en de Europese Vrijhandelszone. Voor een garantie-aanspraak moet uw aanspraak in overeenstemming zijn met de Voorwaarden en Condities van Black&Decker en moet u een bewijs van aankoop overleggen aan de verkoper of aan een geautoriseerde reparatiemonteur.

Voorwaarden en condities van de 2-jarige garantie van Black&Decker en het adres van de vestiging van het geautoriseerde reparatiecentrum bij u in de buurt, kunt u vinden op internet op [www.2helpU.com](http://www.2helpU.com), of door contact op te nemen met het Black & Decker-kantoor ter plaatse, op het adres dat in deze handleiding wordt vermeld.

Bezoek onze website [www.blackanddecker.nl](http://www.blackanddecker.nl), waar u uw nieuwe Black & Decker-product kunt registreren en informatie kunt verkrijgen over nieuwe producten en speciale aanbiedingen.

**Uso previsto**

La cortadora BLACK+DECKER ST182320 se ha diseñado para cortar y acabar bordes de césped y para cortar césped en zonas difíciles. Este aparato ha sido diseñado únicamente para uso doméstico.

**Instrucciones de seguridad**

**¡Advertencia!** Al utilizar aparatos eléctricos, es necesario seguir las precauciones de seguridad básicas, incluidas las que se indican a continuación, para reducir el riesgo de incendios, electrocución, lesiones y daños materiales.

**¡Advertencia!** Cuando utilice el aparato se deben seguir las normas de seguridad. Por su propia seguridad y por la de otras personas, lea estas instrucciones antes de utilizar el aparato. Conserve estas instrucciones para consultarlas en un futuro.

- ◆ Lea todo el manual detenidamente antes de utilizar el aparato.
- ◆ En este manual se describe el uso previsto del aparato. La utilización de accesorios o la realización de operaciones distintas de las recomendadas en este manual de instrucciones puede presentar un riesgo de lesiones.
- ◆ Conserve este manual para futuras consultas.

**Utilización del aparato**

Tenga siempre cuidado al utilizar el aparato.

- ◆ Utilice siempre gafas protectoras.
- ◆ Nunca permita que los niños ni las personas con capacidades físicas, sensoriales o mentales disminuidas;

que carezcan de experiencia y conocimientos, o que no estén familiarizadas con estas instrucciones utilicen la máquina. Las normas locales pueden restringir la edad del operador.

- ◆ Nunca utilice la máquina si otras personas, especialmente niños o mascotas se encuentran cerca.
- ◆ Evite que los niños y animales se acerquen a la zona de trabajo y toquen el aparato.
- ◆ Procure tener cuidado si utiliza el aparato cerca de niños.
- ◆ Este aparato está pensado para utilizarse con la supervisión correspondiente en el caso de menores o personas que no cuentan con la fuerza necesaria.
- ◆ Este aparato no es un juguete.
- ◆ Utilice el aparato únicamente a la luz del día o con iluminación artificial adecuada.
- ◆ Utilícelo únicamente en lugares secos. Tenga cuidado de no mojar el aparato.
- ◆ Evite usar el aparato cuando hace mal tiempo, sobre todo si hay riesgo de rayos.
- ◆ No sumerja el aparato en agua.
- ◆ No abra la carcasa. Las piezas del interior del aparato no pueden ser reparadas por el usuario.
- ◆ No utilice el aparato en un entorno con peligro de explosión, en el que se encuentren líquidos, gases o materiales en polvo inflamables.
- ◆ El aparato debe utilizarse solo con la unidad de alimentación suministrada con el aparato.

## Riesgos residuales

El uso de esta herramienta puede producir riesgos residuales adicionales no incluidos en las advertencias de seguridad adjuntas.

Estos riesgos se pueden generar por un uso incorrecto, demasiado prolongado, etc.

El cumplimiento de las normas de seguridad correspondientes y el uso de dispositivos de seguridad no evitan ciertos riesgos residuales. Esto incluye:

- ◆ Lesiones producidas por el contacto con piezas móviles o giratorias.
- ◆ Lesiones producidas al cambiar cualquier pieza, cuchilla o accesorio.
- ◆ Lesiones producidas al usar una herramienta por un tiempo demasiado prolongado. Si utiliza una herramienta durante períodos de tiempo demasiado prolongados, asegúrese de realizar pausas con frecuencia.
- ◆ Deterioro auditivo.
- ◆ Riesgos para la salud producidos al respirar el polvo que se genera cuando se utiliza la herramienta (ejemplo: en los trabajos con madera, especialmente si son de roble, haya y tableros de densidad mediana).

## Después de la utilización

- ◆ Cuando el aparato no esté en uso, deberá guardarse en un lugar seco, bien ventilado y lejos del alcance de los niños.
- ◆ Los niños no deben tener acceso a los aparatos guardados.

- ◆ Cuando se guarde o transporte el aparato en un vehículo, deberá colocarse en el maletero o asegurarse para evitar movimientos producidos por cambios repentinos en la velocidad o la dirección.

- ◆ Los niños deben vigilarse en todo momento para garantizar que el aparato no se toma como elemento de juego.

## Inspecciones y reparaciones

- ◆ Antes de utilizarlo, compruebe que el aparato no contenga piezas dañadas ni defectuosas. Compruebe que no hay piezas rotas u otros defectos que puedan afectar al funcionamiento del aparato.
- ◆ No utilice el aparato si presenta alguna pieza dañada o defectuosa.
- ◆ Solicite a un agente de servicio técnico autorizado la reparación o sustitución de las piezas dañadas o defectuosas.
- ◆ Nunca intente extraer ni sustituir ninguna pieza que no esté especificada en este manual.

## Seguridad de terceros

- ◆ Ninguna persona (incluidos los niños a partir de 8 años de edad) con capacidades físicas, sensoriales o mentales disminuidas, o que carezca de experiencia y conocimientos, debe utilizar este aparato, salvo que haya recibido supervisión o formación con respecto al uso del aparato de una forma segura y que comprenda los peligros que entraña. Los niños no deben jugar con el aparato. Ningún niño deberá realizar las tareas de limpieza y mantenimiento, salvo que lo hagan bajo supervisión.

## Vibración

El valor de emisión de vibraciones declarado en el apartado de características técnicas y en la declaración de conformidad se ha calculado según un método de prueba estándar proporcionado por la norma EN50636 y puede utilizarse para comparar una herramienta con otra. El valor de emisión de vibraciones especificado también podrá utilizarse en una evaluación preliminar de la exposición.

**¡Atención!** El valor de emisión de vibraciones durante el funcionamiento real de la herramienta eléctrica puede diferir del valor declarado en función de cómo se utilice dicha herramienta. El nivel de las vibraciones puede superar el indicado.

Al evaluar la exposición a las vibraciones con el fin de determinar las medidas de seguridad que exige la norma 2002/44/CE para proteger a las personas que utilizan periódicamente herramientas eléctricas en el entorno laboral, deberá tenerse en cuenta una estimación de la exposición a las vibraciones, las condiciones de uso reales y el modo de empleo de la herramienta, así como los pasos del ciclo operativo como, por ejemplo, el número de veces que la herramienta se apaga, el tiempo que está parada y el tiempo de activación.

## Instrucciones de seguridad adicionales para cortadoras de césped

**¡Advertencia!** Una vez apagado el motor, los elementos que se están cortando continuarán girando.

- ◆ Familiarícese con los controles y el uso correcto del aparato.
- ◆ Siempre debe extraer la batería del aparato si este va a quedar sin supervisión, antes de eliminar un bloqueo, antes de limpiar y realizar el mantenimiento del aparato, después de golpear un objeto extraño o siempre que el aparato empiece a vibrar de forma anómala.
- ◆ Utilice calzado resistente para proteger los pies.
- ◆ Vista pantalones largos para proteger las piernas.
- ◆ Antes de utilizar el aparato, compruebe que la zona que vaya a cortar no tenga ramas, piedras, alambres o ningún otro obstáculo.
- ◆ Utilice el aparato solamente en posición vertical, con la línea de corte cerca del suelo. No conecte nunca el aparato en otra posición.
- ◆ Mueva lentamente el aparato cuando lo utilice. Tenga en cuenta que el césped recién cortado está húmedo y resbaladizo.
- ◆ No trabaje en pendientes pronunciadas. Trabaje en sentido transversal a la pendiente, no hacia arriba o abajo.
- ◆ Nunca cruce caminos de grava ni carreteras mientras el aparato está en funcionamiento.

- ◆ Nunca toque la línea de corte mientras el aparato está en funcionamiento.
- ◆ No deposite el aparato hasta que la línea de corte se detenga por completo.
- ◆ Utilice únicamente el tipo de línea de corte apropiado. Nunca utilice líneas de corte o sedales de metal.
- ◆ Tenga cuidado de no tocar la cuchilla de la línea de corte.
- ◆ Mantenga las manos y los pies alejados de la línea de corte en todo momento, especialmente al encender el motor.
- ◆ Antes de utilizar el aparato y después de cualquier impacto, compruebe si hay señales de desgaste o daños y repárelos si fuera necesario.
- ◆ Nunca utilice el aparato con protectores dañados o que no estén colocados en su lugar.
- ◆ Tome precauciones contra las lesiones causadas por cualquier dispositivo colocado para cortar la línea de filamentos.  
Después de prolongar una nueva línea de corte, coloque de nuevo el aparato en su posición normal de funcionamiento antes de encenderlo.
- ◆ Asegúrese siempre de que las ranuras de ventilación no tengan restos.

## Instrucciones de seguridad adicionales para baterías y cargadores

### Baterías

- ◆ Jamás trate de abrir las baterías por ningún motivo.
- ◆ No exponga la batería al agua.

- ◆ No guarde la batería en lugares en los que la temperatura pueda superar los 40 °C.
- ◆ Realice la carga únicamente a una temperatura ambiente de entre 10 °C y 40 °C.
- ◆ Utilice únicamente el cargador suministrado con la herramienta para realizar la carga.
- ◆ Para desechar las pilas o las baterías, siga las instrucciones facilitadas en la sección "Protección del medio ambiente".

## Cargadores

- ◆ Solo debe utilizar el cargador BLACK+DECKER para cargar la batería en la herramienta con la que se suministró. Otras baterías pueden explotar y provocar lesiones y daños materiales.
- ◆ Nunca intente cargar baterías no recargables.
- ◆ Sustituya los cables defectuosos inmediatamente.
- ◆ No exponga el cargador al agua.
- ◆ No abra el cargador.
- ◆ No aplique ningún dispositivo para medir la resistencia del cargador.



Este adaptador está pensado únicamente para utilizarse en un lugar interior.



Lea el manual de instrucciones antes de usar el producto.

## Seguridad eléctrica



El cargador presenta un aislamiento doble; por lo tanto, no se requiere conexión a tierra. Cada vez que utilice el aparato, debe comprobar que el voltaje de la red eléctrica corresponda al valor indicado en la placa de características. No intente sustituir el cargador por un enchufe convencional para la red eléctrica.

- ◆ Si se daña el cable de alimentación, el fabricante o un centro de servicio técnico autorizado de BLACK+DECKER deberán sustituirlo para evitar riesgos.

## Etiquetas del aparato

Junto con el código de la fecha, en la herramienta aparecen los siguientes símbolos:



Lea el manual antes de utilizar el aparato.



Cuando utilice el aparato, lleve siempre gafas protectoras.



Cuando maneje el aparato, utilice protectores para los oídos adecuados.



Siempre debe extraer la batería del aparato antes de limpiar y realizar su mantenimiento.



Tenga cuidado con los objetos que salen volando. Mantenga a otras personas alejadas de la zona de corte.



No exponga el aparato a la lluvia ni a una humedad elevada.





## Directiva 2000/14/CE sobre la potencia acústica garantizada.

### Características

Este aparato incluye una o más de las siguientes características.

1. Gatillo
2. Botón de desbloqueo
3. Empuñadura
4. Empuñadura auxiliar
5. Collarín de ajuste de altura
6. Cabeza de la cortadora
7. Guía de corte
8. Barra de protección
9. Compartimento para la bobina
10. Batería

### Carga de la batería (Fig. A)

Es necesario cargar la batería antes del primer uso y cada vez que note que no dispone de suficiente potencia para tareas que antes realizaba con facilidad.

Es posible que la batería se caliente durante la carga; esto es normal y no denota ningún problema.

**¡Advertencia!** No cargue la batería si la temperatura ambiente es inferior a 10 °C o superior a 40 °C. La temperatura de carga recomendada es de aproximadamente 24 °C.

**Nota:** El cargador no cargará la batería si la temperatura de esta es inferior a 10 °C o superior a 40 °C aproximadamente. Deje la batería en el cargador y este empezará a cargarla automáticamente cuando la temperatura de la batería aumente o disminuya.

- ◆ Conecte el cargador a la toma adecuada antes de introducir el paquete de baterías.
- ◆ Introduzca el paquete de baterías en el cargador.



El LED indicador de carga verde parpadeará, lo cual indica que se está cargando la batería.



Se indicará que la carga ha terminado porque la luz LED verde permanecerá encendida de manera continua. La batería estará cargada y podrá usarse, o dejarla en el cargador.

**¡Advertencia!** Recargue las baterías descargadas tan pronto como sea posible después del uso, de lo contrario se reducirá la vida útil de la batería.

### Diagnóstico del cargador

Este cargador ha sido diseñado para detectar algunos problemas que pueden surgir con los paquetes de baterías o la fuente de alimentación. Los problemas se indican a través de un LED parpadearante con diferentes patrones.

### Fallo de la batería



El cargador puede detectar si la batería está débil o dañada. El LED rojo parpadea con el patrón indicado en la etiqueta. Si nota este patrón de parpadeo del indicador de fallo de la batería, no siga recargando la batería. Llévela a un centro de servicios o a un punto de recogida para el reciclaje.

### Retardo por batería fría / caliente



Cuando el cargador detecta que la batería está demasiado fría o demasiado caliente, inicia automáticamente un retardo de batería fría/caliente y suspende la carga hasta que la batería se normalice. Después de esto, el cargador cambia automáticamente al modo de carga de batería. Esta característica le asegura el máximo de vida útil a la batería. El LED rojo parpadea con el patrón indicado en la etiqueta cuando detecta el retardo de batería fría/caliente.

### Dejar la batería en el cargador

El cargador y la batería pueden permanecer conectados durante un período de tiempo indefinido con el indicador LED iluminado. El cargador mantendrá la batería a baja temperatura y completamente cargada.

### Notas importantes para la carga

- ◆ Se puede conseguir una mayor duración y rendimiento si se carga la batería cuando la temperatura ambiente está entre 65 °F y 75 °F (18 °C y 24 °C). NO cargue la batería cuando la temperatura ambiente sea inferior a +40 °F (+4.5 °C) o superior a +105 °F (+40.5 °C). Esto es importante y prevendrá daños serios en la batería.
- ◆ El cargador y el paquete de baterías puede calentarse durante la carga. Esto es normal y no indica ningún problema. Para facilitar el enfriamiento de la batería después del uso, evite colocar el cargador o la batería en un ambiente cálido, como un cobertizo metálico o un remolque sin aislamiento.
- ◆ Si el paquete de baterías no se carga correctamente:
  - ◆ Enchufe una lámpara u otro aparato para comprobar la corriente de la toma.
  - ◆ Compruebe si la toma está conectada a un interruptor de luz que corta la energía al apagar las luces.
  - ◆ Desplace el cargador y la batería hacia un lugar donde la temperatura del aire circundante sea de aproximadamente 65 °F - 75 °F (18 °C - 24 °C).
  - ◆ Si el problema de carga persiste, lleve la herramienta, el paquete de baterías y el cargador a su servicio técnico local.

- ◆ El paquete de baterías debe recargarse cuando no produce energía suficiente para trabajos que antes se efectuaban fácilmente. NO SIGA usándolo en estas condiciones. Siga el procedimiento de carga. También puede cargar un paquete parcialmente usado cuando lo desee, sin ningún efecto adverso para la batería.
- ◆ Los materiales conductores extraños como, a título enunciativo pero no limitativo, lana de acero, papel de aluminio o cualquier acumulación de partículas metálicas deben mantenerse alejados de las cavidades del cargador. Desconecte siempre el cargador de la red cuando no haya ningún paquete de baterías en la cavidad. Desconecte el cargador antes de intentar limpiarlo.

◆ No congelar ni sumergir en agua u otros líquidos.

**¡Advertencia!** Peligro de descarga. No permita que ningún líquido penetre en el cargador. No intente nunca abrir el paquete de baterías por ningún motivo.

Si la carcasa de plástico del paquete de baterías se rompe o se agrieta, llévela a un servicio técnico para reciclarla.

### Instalación y extracción del paquete de batería de la herramienta

**¡Advertencia!** Asegúrese de que el botón de desbloqueo no esté bloqueado para evitar que se active el interruptor antes de sacar o colocar la batería.

### Colocación del paquete de baterías

Inserte la batería (10) en el aparato hasta que escuche un clic (figura B). Asegúrese de que el paquete de baterías quede bien colocado y enganchado en su posición.

### Extracción del paquete de baterías

Presione el botón de liberación de la batería (11) como se muestra en la figura C y extraiga la batería del aparato.

### Ensamblaje

**¡Advertencia!** Antes de proceder al montaje, compruebe que la herramienta está apagada y que ha retirado la batería.

**Herramientas necesarias para el montaje (no incluidas):** Destornillador de estrella.

### Colocación del protector (Fig. D, E)

**¡Advertencia!** Extraiga la batería del aparato antes de intentar colocar el protector, la guía para setos o la empuñadura. Nunca debe utilizar el aparato sin el protector colocado correctamente. El protector siempre debe estar colocado en el aparato para proteger al usuario.

- ◆ Retire el tornillo del protector.
- ◆ Gire la cortadora al revés de manera que, mirando hacia abajo, vea la tapa de la bobina (16).
- ◆ Gire el protector (8) del revés y deslícelo completamente sobre la carcasa del motor (12). Asegúrese de que las pestañas (13) del protector se deslicen dentro de los orificios (14) de la carcasa del motor, tal como se indica en la figura D.
- ◆ Deslice el protector hasta que oiga cómo encaja en su sitio.
- ◆ Con un destornillador de estrella, inserte el tornillo del protector y apriételo bien, tal como se muestra en la figura E, para completar el montaje del protector.
- ◆ Una vez montado el protector, retire la tapa de la hoja de corte de la línea, situada en el borde del protector.

**¡Advertencia!** Nunca utilice la herramienta a menos que el protector esté colocado correctamente.

### Ajuste de la altura (Fig. F, G–G3)

**¡Advertencia!** Ajuste la longitud de la cortadora para conseguir las posiciones correctas de trabajo que se muestran en las figuras G - G3.

- ◆ La altura total de la cortadora se puede ajustar aflojando el collarín de ajuste de altura (5) y haciéndolo girar en el sentido que indica la flecha de la figura F.
- ◆ Suba o baje la carcasa superior. Cuando llegue a la altura deseada, apriete el collarín haciéndolo girar en el sentido contrario al indicado en la figura F.

### Extracción de la línea de corte

Mientras se encuentra en tránsito, la línea de corte está sujeta con una cinta al compartimento para la bobina.

- ◆ Extraiga la cinta que sujeta la línea de corte al compartimento para la bobina.

### Funcionamiento

**¡Advertencia!** Utilice siempre protección ocular.

**¡Advertencia!** Antes de empezar a cortar, utilice únicamente el tipo de línea de corte apropiado.

**Nota:** Inspeccione el área que vaya a cortar y retire cualquier cable, cuerda u objetos en forma de cuerda que puedan enredarse con la línea giratoria o la bobina. Preste mucha atención a evitar cualquier cable que pueda estar doblado hacia fuera, en el camino del aparato, como las púas que se encuentran en la base de una alambrada.

### Encendido y apagado

- ◆ Para encender el aparato, pulse el botón de bloqueo (2) y apriete el gatillo (1).
- ◆ Para apagar el aparato, suelte el gatillo.

### Uso de la cortadora (Fig. F, G–G3)

- ◆ Una vez encendida la unidad, inclínela y haga oscilar lentamente la cortadora de lado a lado, tal como se muestra en la figura G.
- ◆ Mantenga un ángulo de corte de 5° a 10°, tal como se muestra en la figura G1. No permita que se superen los 10° (figura G2). Corte con la punta de la línea. Para mantener la distancia con las superficies duras utilice la guía de corte (7).
- ◆ Mantenga una distancia mínima de 600 mm entre el protector y sus pies, tal como se muestra en la figura G3. Para alcanzar esa distancia, ajuste la altura general de la cortadora, tal como se muestra en la figura F.

### Conversión a modo de corte de setos (Fig. H, I)

**¡Advertencia!** Al utilizar la unidad como cortadora de setos, la línea puede expulsar trozos de metal y otros objetos a una gran velocidad. La cortadora y el protector están diseñados para reducir el peligro. Sin embargo, **ASEGÚRESE** de que esté como mínimo a 30 m de distancia de otras personas y mascotas. Los mejores resultados de corte se obtienen en los bordes de más de 50 mm de profundidad.

- ◆ Extraiga la batería de la cortadora.

- ◆ Para que funcione como cortadora de setos de mantenimiento, gire el collarín (5) como se muestra en la parte 1 de la figura H.
- ◆ Sujete el eje de metal y gire la carcasa inferior 180°, como se muestra en la parte 2.
- ◆ Haga girar el collarín hasta que quede apretado.
- ◆ Levante la guía para setos (7) hasta la posición de corte de setos, como se muestra en la figura I.
- ◆ Coloque la cortadora por encima de la superficie, como se muestra en la figura J.
- ◆ Vuelva a la posición de corte aflojando el collarín de bloqueo y haciendo girar la carcasa inferior de nuevo 180°. Haga girar el collarín hasta que quede apretado.
- ◆ Presione las lengüetas (15) de la tapa de la bobina de línea (16), tal como se muestra en la figura K, y extraiga la tapa tirando de ella directamente.
- ◆ Tire de la bobina de la línea de nylon y retire los trozos de línea rota o los restos de corte del área de la bobina.
- ◆ Coloque la bobina y la línea en la tapa de la bobina, con la línea colocada en las ranuras, tal como se muestra en la figura L1.
- ◆ Introduzca el extremo de la línea en el orificio correspondiente del compartimento de la bobina. Tense la línea hasta que se salga de las ranuras de sujeción, como se muestra en la figura L2.
- ◆ Presione suavemente la bobina y hágala girar hasta que note que queda colocada; a continuación, presione para que se introduzca en su sitio. (Una vez colocada, la bobina girará libremente unos grados a la izquierda y a la derecha).
- ◆ Asegúrese de evitar que la línea quede atrapada debajo de la bobina.
- ◆ Alinee las lengüetas de la tapa de la bobina con las ranuras del compartimento de la bobina.
- ◆ Vuelva a colocar la tapa de la bobina, como se muestra en la figura M, bajando las argollas y presionando para introducirla en el compartimento de la bobina.

### Consejos útiles para el corte

- ◆ Use la punta de la cuerda para hacer el corte; no fuerce el cabezal de la cuerda para introducirlo en el césped sin cortar. Lo mejor es usar la guía para setos a lo largo de objetos como vallas, casas y parterres.
- ◆ Las vallas de alambre y las cercas provocan un desgaste extra de la cuerda e incluso llegan a romperla. Las paredes de piedra y ladrillos, los bordillos y la madera pueden desgastar la cuerda rápidamente.
- ◆ No permita que la tapa de la bobina se arrastre por el suelo u otras superficies.
- ◆ Si el césped ha crecido mucho, corte de arriba hacia abajo y no supere los 300 mm de altura.
- ◆ Mantenga la cortadora inclinada hacia el área que está cortando; es la mejor área de corte.
- ◆ La cortadora corta al pasar la unidad de derecha a izquierda. Esto evitará que los desechos salgan despedidos hacia el operador.
- ◆ Evite los árboles y arbustos. La corteza de árbol, las molduras de madera y los postes de las cercas pueden resultar dañados fácilmente por la cuerda.

### Línea de corte / alimentación de la línea

La cortadora utiliza una línea de nylon redonda de 1,65 mm de diámetro. Mientras se está usando, las puntas de las líneas de nylon se raen y desgastan, y la bobina especial de autoalimentación irá suministrando automáticamente y cortando un nuevo trozo de línea. La línea de corte se desgastará con más rapidez y necesitará más alimentación si el corte o el corte de setos se realiza junto a pavimentos u otras superficies abrasivas, o si se cortan malas hierbas resistentes. El avanzado mecanismo de alimentación automática de línea nota que se necesita más línea de corte y alimenta y corta el trozo de línea correcto siempre que resulta necesario. No golpee la unidad en el suelo para conseguir más línea o con cualquier otro fin.

### Eliminación de atascos y enredos de línea (fig. K, L, M)

¡Advertencia! Extraiga la batería de la cortadora antes de realizar cualquier montaje, ajuste o cambio de accesorios. Estas medidas preventivas reducen el riesgo de conectar el aparato accidentalmente. De vez en cuando, y en particular cuando corte hierbas gruesas o de tallo alto, es posible que el buje de alimentación de la línea se llene de savia u otro material, lo que provocará un atasco de la línea. Para eliminar el atasco, siga los pasos que se indican a continuación.

- ◆ Extraiga la batería de la cortadora.

**Nota:** Asegúrese de que la tapa esté bien colocada; debe escuchar dos clics para asegurarse de que las dos argollas estén bien ubicadas. Encienda el aparato. En unos segundos o menos, oírás cómo la línea de nylon se corta automáticamente hasta llegar a la longitud adecuada.

**¡Advertencia!** Para evitar que se dañe el aparato, si la línea de corte sobresale más allá de la hoja de corte, córtela de modo que llegue justo hasta la altura de la hoja.

**Nota:** Otras piezas de repuesto (protectores, tapones de bobina, etc.) están disponibles en los centros de servicio BLACK+DECKER. Para encontrar su centro de servicio local, visite [www.blackanddecker.com](http://www.blackanddecker.com).

**¡Advertencia!** El uso de este aparato con cualquier accesorio no recomendado por BLACK+DECKER podría resultar peligroso.

### Sustitución de la bobina (Fig. K, L, M, N)

- ◆ Extraiga la batería del aparato.
- ◆ Presione las lengüetas (15) y extraiga la tapa de la bobina (16) de su compartimento (17) (figura K).
- ◆ Agarre la bobina vacía con una mano y el compartimento de la bobina con la otra y tire de la bobina hacia fuera.
- ◆ Si la palanca (18) (figura N) de la base del compartimento se desplaza, vuelva a colocarla en la posición correcta antes de introducir la nueva bobina en el compartimento.
- ◆ Elimine la suciedad y los restos de césped de la bobina y el compartimento.
- ◆ Suelte el extremo de la línea de corte y guíe la línea hasta el interior de la abertura (L2), como se muestra en la figura L.
- ◆ Tome la nueva bobina y empújela para introducirla en el eje central (19) (figura N) situado en el compartimento. Gire ligeramente la bobina hasta que quede perfectamente encajada. La línea debe sobresalir aproximadamente 136 mm del compartimento.
- ◆ Alinee las lengüetas de la tapa de la bobina con las ranuras del compartimento (figura M).

- ◆ Empuje la tapa hacia el compartimento, hasta que quede colocada correctamente.

### Rebobinado con la línea de paquete (Fig. O, P, Q)

También puede comprar líneas de paquete a su proveedor local. Nota: Las bobinas enrolladas manualmente desde la línea de paquete tienden a liarse con más frecuencia que las enrolladas de fábrica de BLACK+DECKER. Para obtener los mejores resultados, se recomienda utilizar siempre bobinas enrolladas de fábrica. Para instalar la línea de paquete, siga estos pasos:

- ◆ Extraiga la batería del aparato.
- ◆ Retire la bobina vacía de la cortadora tal como se describe en "Sustitución de la bobina".
- ◆ Extraiga la línea de corte restante de la bobina.
- ◆ Pliegue el extremo de la línea de corte a unos 19 mm (20). Introduzca la línea de corte en una de las ranuras de sujeción de la línea (21), tal como se muestra en la figura O.
- ◆ Introduzca el extremo de 19 mm de la línea de paquete en el orificio (22) de la bobina que se encuentra junto a la ranura, como se muestra en la figura P. Asegúrese de que la línea quede ajustada contra la bobina, como se muestra en la figura P.
- ◆ Enrolle la línea de corte en la bobina en la dirección que indica la flecha de la bobina. Asegúrese de enrollar la línea de manera que no cuelgue y quede por capas. No entrecruce la línea (figura Q).
- ◆ Cuando la línea de corte enrollada llegue hasta las hendiduras (23), córtela (figura P).
- ◆ Ajuste la bobina sobre el aparato, tal como se describe en "Sustitución de la bobina".

### Mantenimiento

Su aparato o herramienta con o sin cable de BLACK+DECKER ha sido diseñada para funcionar durante un largo período de tiempo con un mantenimiento mínimo. El funcionamiento satisfactorio continuado depende de un cuidado apropiado y una limpieza periódica de la herramienta o aparato.

El cargador no requiere ningún mantenimiento especial excepto la limpieza periódica.

**¡Advertencia!** Antes de realizar el mantenimiento de herramientas eléctricas con o sin cables:

- ◆ Apague y desenchufe el aparato o herramienta.
- ◆ O bien, apague y extraiga las pilas o la batería del aparato o herramienta, en caso de que disponga de una batería separada.
- ◆ O bien, deje que la batería se agote por completo si es integral y, a continuación, apague el aparato.
- ◆ Desenchufe el cargador antes de limpiarlo. El cargador no requiere ningún mantenimiento especial excepto la limpieza periódica.
- ◆ Limpie periódicamente las ranuras de ventilación de la herramienta, aparato y cargador con un cepillo suave o un paño seco.
- ◆ Limpie periódicamente la carcasa del motor con un paño húmedo. No utilice limpiadores de base abrasiva ni disolventes.

- ◆ Limpie periódicamente la línea de corte y la bobina con un cepillo suave o un paño seco.
- ◆ Utilice periódicamente un raspador sin filo para eliminar los restos de hierba y la suciedad acumulada debajo del protector.

### Resolución de problemas

Problema	Solución
El aparato funciona lentamente.	<p>Extraiga la batería de la cortadora.</p> <p>Compruebe que el compartimento para la bobina puede girar sin problemas. Límpiolo con cuidado si fuera necesario.</p> <p>Compruebe que la línea de corte no sobresalga más de 122 mm de la bobina. Si sobresale, córtela de modo que solo llegue hasta la altura de la hoja de la línea de corte.</p>
La alimentación automática de la línea no funciona.	<p>Se suministra más línea cuando esta se recorta aproximadamente a 76 mm. Para determinar si la alimentación de línea no funciona, deje que la línea pase de este punto.</p> <p>Mantenga presionadas las lengüetas y extraiga la tapa de la bobina de la carcasa, junto con la bobina, del cabezal de la cortadora.</p> <p>Asegúrese de que la línea no se entrecruce en la bobina, tal como se detalla en la figura Q. Si se cruza, desenrolle la línea de corte y vuelva a enrollarla correctamente.</p> <p>Inspeccione los rieles de la parte inferior de la bobina para comprobar si están dañados. Si lo están, cambie la bobina.</p> <p>Tire de la línea de corte hasta que sobresalga 122 mm de la bobina. Si no se deja suficiente línea de corte en la bobina, instale una nueva bobina de línea de corte.</p> <p>Alinee las lengüetas de la tapa de la bobina con las ranuras del compartimento.</p> <p>Empuje la tapa de la bobina hacia el compartimento hasta que se coloque en su lugar correctamente.</p> <p>Si la línea de corte sobresale más allá de la hoja de corte, córtela de modo que llegue justo hasta la altura de la hoja. Si la alimentación automática de la línea no funciona o la bobina está atascada, pruebe a hacer lo siguiente:</p> <p>Limpie con cuidado la bobina y su compartimento.</p> <p>Asegúrese de estar utilizando el tamaño de línea y el diámetro correctos (2,00 mm). Los tamaños de línea menores y mayores afectarán al funcionamiento del sistema de alimentación automática.</p> <p>Extraiga la bobina y compruebe si la palanca del compartimento puede moverse libremente.</p> <p>Extraiga la bobina y desenrolle la línea de corte y, a continuación, vuelva a enrollarla correctamente. Vuelva a colocar la bobina en el compartimento.</p>
Exceso de línea	<p>Asegúrese de cortar la punta de la línea a 177 mm de la bobina. Si es necesario, utilice la guía para setos para asegurarse de mantener la separación correcta.</p> <p>Asegúrese de no superar un ángulo de 10°, tal como se muestra en la figura G1.</p>
La línea se desenrolla al extraer la tapa o la bobina	<p>Asegúrese de colocar las líneas en las ranuras de sujeción (figura L1) antes de realizar la extracción.</p>

**Protección del medio ambiente**

Recogida selectiva. Los productos y las baterías marcadas con este símbolo no se deben eliminar con la basura doméstica normal.

Los productos y las baterías que contienen materiales que se puedan recuperar o reciclar reducen la demanda de materias primas. Recicle los productos eléctricos y las baterías de conformidad con la normativa local.

**Datos técnicos**

		<b>ST182320</b>
Voltaje de entrada	$V_{ca}$	18
Velocidad sin carga	min.-1	9000
Peso	kg	2.05

<b>Batería</b>		<b>BL2018</b>
Tensión	$V_{cc}$	18
Capacidad	Ah	2.0
Tipo		Litio-ión

<b>Cargador</b>		<b>905902** (tipo 1)</b>
Voltaje de entrada	$V_{ca}$	230
Voltaje de salida	$V_{cc}$	18
Corriente	mA	400

Valor cuadrático medio ponderado en frecuencia de la aceleración según EN50636-2-91:

$$= < 3.6 \text{ m/s}^2; \text{ incertidumbre (K) } = 1,5 \text{ m/s}^2.$$

$$L_m \text{ (presión acústica) } 76 \text{ dB(A)}$$

$$\text{incertidumbre (K) } = 2,6 \text{ dB(A)}$$

**Declaración de conformidad CE**

DIRECTIVA SOBRE MAQUINARIA  
DIRECTIVA SOBRE EL RUIDO EXTERIOR



Cortadora de línea sin cable ST182320

Black & Decker declara que los productos descritos en el apartado "Datos técnicos" son conformes a las normas siguientes:

2006/42/CE, EN60335-1:2012 + A11:2014  
EN50636-2-91:2014

2000/14/CE, Cortacésped,  $L \leq 50 \text{ cm}$ , Anexo VI  
DEKRA Certification B.V., Utrechtseweg 310,  
6802 ED Arnhem, Países Bajos  
N.º de ID del departamento notificado: 0344

Nivel de intensidad acústica de acuerdo con la Directiva 2000/14/CE

(artículo 12, anexo III,  $L \leq 50 \text{ cm}$ ):  
 $L_m$  (potencia acústica medida) 88 dB(A)  
incertidumbre (K) = 2,6 dB(A)  
 $L_m$  (potencia acústica garantizada) 96 dB(A)

Estos productos también cumplen las Directivas 2014/30/UE y 2011/65/UE. Si desea más información, póngase en contacto con Black & Decker en la dirección indicada a continuación o bien consulte la parte posterior de este manual.

El abajo firmante es el responsable de la compilación del archivo técnico y realiza esta declaración en representación de Black & Decker.

R. Laverick  
Director de Ingeniería  
Black & Decker Europa, 210 Bath Road, Slough,  
Berkshire, SL1 3YD  
Reino Unido  
15/11/2016

**Garantía**

Black & Decker confía en la calidad de sus productos y ofrece a los consumidores una garantía de 24 meses a partir de la fecha de compra. Esta garantía es adicional a sus derechos legales y no los menoscaba en modo alguno. La garantía es válida dentro de los territorios de los Estados Miembros de la Unión Europea y del Área de Libre Comercio Europea. Para reclamar la garantía, la reclamación se debe presentar de conformidad con las condiciones de Black & Decker. Tendrá que adjuntar un justificante de compra al vendedor o al agente técnico autorizado.

Las condiciones de la garantía de 2 años de Black & Decker y la ubicación de su agente técnico autorizado más cercano se pueden obtener en Internet en [www.2helpU.com](http://www.2helpU.com) o poniéndose en contacto con su oficina local de Black & Decker en la dirección que se indica en este manual.

Visite nuestro sitio web [www.blackanddecker.co.uk](http://www.blackanddecker.co.uk) para registrar su nuevo producto Black & Decker y recibir noticias sobre nuevos productos y ofertas especiales.

### Utilização pretendida

O seu cortador BLACK+DECKER ST182320 foi concebido para aparar as extremidades dos relvados e para cortar relva em espaços exíguos. Este aparelho destina-se apenas a utilização doméstica.

## Instruções de segurança

**Atenção!** Ao utilizar aparelhos eléctricos, deve sempre cumprir medidas de segurança básicas, incluindo as que se seguem, de modo a reduzir os riscos de incêndio, choque eléctrico e ferimentos.

**Atenção!** Ao utilizar a máquina, terá de seguir as regras de segurança. Para sua segurança e das outras pessoas, leia estas instruções antes de utilizar a máquina. Mantenha as instruções em local seguro para futuras consultas.

- ◆ Leia com atenção todo o manual antes de utilizar o aparelho.
- ◆ A utilização prevista para este aparelho está descrita neste manual. A utilização de qualquer acessório ou a realização de qualquer operação com este aparelho que não esteja incluída no presente manual de instruções poderá representar um risco de ferimentos pessoais.
- ◆ Conserve este manual para referência futura.

## Utilização do aparelho

Tenha sempre cuidado quando utilizar este aparelho.

- ◆ Utilize sempre óculos ou viseiras de protecção.
- ◆ Não permita que crianças, pessoas com capacidade físicas, sensoriais ou mentais reduzidas ou falta de experiência ou conhecimentos ou não familiarizadas com estas instruções utilizem a máquina. Os regulamentos

locais podem restringir a idade do operador.

- ◆ Nunca utilize a máquina enquanto estiverem pessoas, em especial crianças, ou animais nas proximidades.
- ◆ Não deixe crianças ou animais aproximarem-se da área de trabalho ou tocarem no aparelho ou no cabo de alimentação.
- ◆ É necessária uma supervisão atenta quando o aparelho está a ser utilizado próximo de crianças.
- ◆ Este aparelho não deve ser utilizado por jovens ou pessoas doentes sem supervisão.
- ◆ Este aparelho não deve ser utilizado como um brinquedo.
- ◆ Utilize apenas o aparelho à luz do dia ou com uma boa luz artificial.
- ◆ Utilize-o apenas num local seco. Não deixe molhar o aparelho.
- ◆ Evite utilizar o aparelho em condições meteorológicas adversas, especialmente se houver risco de relâmpagos.
- ◆ Não mergulhe o aparelho em água.
- ◆ Não abra a estrutura do aparelho. Não existem peças para manipulação pelo utilizador no interior.
- ◆ Não utilize o equipamento em áreas com risco de explosão, nas quais se encontrem líquidos, gases ou poeiras inflamáveis.
- ◆ O aparelho só pode ser utilizado com a fonte de alimentação fornecida com o mesmo.

## Riscos residuais

Podem surgir riscos residuais adicionais durante a utilização da ferramenta, que poderão não constar nos avisos de segurança incluídos.

Estes riscos podem resultar de má utilização, uso prolongado, etc. Mesmo com o cumprimento dos regulamentos de segurança relevantes e com a implementação de dispositivos de segurança, alguns riscos residuais não podem ser evitados. Estes incluem:

- ◆ Ferimentos causados pelo contacto com peças em rotação/movimento.
- ◆ Ferimentos causados durante a troca de peças, lâminas ou acessórios.
- ◆ Ferimentos causados pela utilização prolongada de uma ferramenta. Quando utilizar uma ferramenta durante períodos prolongados, certifique-se de que faz pausas regularmente.
- ◆ Danos auditivos.
- ◆ Problemas de saúde causados pela inalação de poeiras resultantes da utilização da ferramenta (exemplo: trabalhos em madeira, especialmente carvalho, faia e MDF.)

## Após a utilização

- ◆ Quando não for utilizado, o aparelho deve ser guardado num local seco e com boa ventilação, fora do alcance das crianças.
- ◆ As crianças não devem ter acesso a aparelhos armazenados.
- ◆ Quando o aparelho for guardado ou transportado num veículo, deverá ser colocado na bagageira ou fixo de forma a evitar o movimento devido a alterações súbitas na velocidade ou direcção.

## Inspeção e reparações

- ◆ Antes da utilização verifique o aparelho quanto a peças danificadas ou

avariadas. Verifique se existem peças partidas e quaisquer outras situações que possam afectar o bom funcionamento.

- ◆ Não utilize este aparelho se alguma das suas peças estiver danificada ou avariada.
- ◆ Mandar reparar ou substituir quaisquer peças danificadas ou avariadas por um agente de reparação autorizado.
- ◆ Nunca tente retirar ou substituir quaisquer peças que não as especificadas neste manual.

## Segurança de terceiros

- ◆ Este aparelho pode ser utilizado por crianças com idade de 8 anos e superior e por pessoas que apresentem capacidades físicas, sensoriais ou mentais reduzidas ou que não possuam os conhecimentos e a experiência necessários, se forem vigiadas e instruídas acerca da utilização do aparelho de uma forma segura e entenderem os perigos envolvidos. As crianças não deverão mexer no aparelho. A limpeza e manutenção não deverão ser efectuadas por crianças sem supervisão.
- ◆ As crianças deverão ser vigiadas para que não mexam no aparelho.

## Vibração

Os valores de emissão de vibração declarados na secção de dados técnicos e na declaração de conformidade foram medidos de acordo com o método de teste padrão fornecido pela norma EN50636 e podem ser utilizados para comparar ferramentas. O valor de emissão de vibração declarado pode

ainda ser utilizado numa avaliação preliminar de exposição.

**Atenção!** O valor de emissão de vibração durante a utilização real da ferramenta eléctrica pode ser diferente do valor declarado, dependendo da forma como a ferramenta é utilizada. O nível de vibração pode aumentar acima do nível indicado.

Quando avaliar a exposição da vibração para determinar as medidas de segurança exigidas pela norma 2002/44/CE para proteger pessoas que utilizem regularmente ferramentas eléctricas na sua actividade profissional, deve ser considerada uma estimativa de exposição de vibração, as actuais condições de utilização e o modo de utilização da ferramenta, incluindo ainda todas as partes do ciclo de funcionamento, como os períodos de inactividade e espera da ferramenta, para além do tempo de funcionamento.

## Instruções de segurança adicionais para cortadores de relva

**Atenção!** Os elementos de corte continuarão a rodar após o motor ter sido desligado.

- ◆ Familiarize-se com os controlos e a utilização adequada da máquina.
- ◆ Retire sempre a bateria do aparelho sempre que não o utilizar, antes de eliminar um bloqueio, efectuar a limpeza e a manutenção, depois de bater num objecto estranho ou se o aparelho começar a vibrar de maneira anormal.

- ◆ Use botas ou sapatos reforçados para proteger os pés.
- ◆ Use calças compridas para proteger as pernas.
- ◆ Antes de utilizar o aparelho, verifique se o percurso de corte não tem pausas, pedras, cabos e outros obstáculos.
- ◆ Utilize sempre o aparelho na posição vertical, com a linha de corte junto ao chão.  
Nunca ligue o aparelho noutra posição.
- ◆ Ao utilizar o aparelho, desloque-se lentamente. A relva acabada de cortar está molhada e escorregadia.
- ◆ Não trabalhe em declives. Trabalhe ao longo dos declives, e nunca em sentido ascendente ou descendente.
- ◆ Nunca atravesse caminhos de grilha ou estradas com o aparelho em funcionamento.
- ◆ Nunca toque na linha de corte com o aparelho em funcionamento.
- ◆ Não pouse o aparelho até a linha de corte parar completamente.
- ◆ Utilize sempre o tipo adequado de linha de corte. Nunca utilize linhas de corte metálicas nem linha de pesca.
- ◆ Tenha cuidado para não tocar na lâmina da linha de corte.
- ◆ Mantenha sempre as mãos e os pés afastados da linha de corte, especialmente ao ligar o motor.
- ◆ Antes de utilizar o aparelho e depois de qualquer impacto, procure sinais de desgaste ou peças danificadas e repare-as conforme necessário.
- ◆ Nunca utilize o aparelho com protecções danificadas ou sem protecções.



- ◆ Tenha cuidado para que nenhum dispositivo montado no aparelho corte o filamento da linha. Depois de estender uma nova linha de corte, volte sempre a colocar a máquina na posição normal de funcionamento antes de a ligar.
- ◆ Certifique-se sempre de que as ranhuras de ventilação se encontram livres de detritos.

## Instruções de segurança adicionais para baterias e carregadores

### Baterias

- ◆ Nunca tente abrir a bateria, seja qual for o motivo.
- ◆ Não exponha a bateria à água.
- ◆ Não armazene em locais onde a temperatura possa exceder os 40 °C.
- ◆ Carregue apenas a temperaturas ambiente entre 10 °C e 40 °C.
- ◆ Carregue apenas com o carregador fornecido com a ferramenta.
- ◆ Quando eliminar as baterias, siga as instruções da secção “Protecção do ambiente”.

### Carregadores

- ◆ Utilize o seu carregador BLACK+DECKER apenas para carregar a bateria da ferramenta com que foi fornecido. Outras baterias podem rebentar, provocando ferimentos e danos.
- ◆ Nunca tente carregar baterias não recarregáveis.
- ◆ Substitua os cabos defeituosos imediatamente.
- ◆ Não exponha o carregador à água.
- ◆ Não abra o carregador.

- ◆ Não abra o carregador.



O adaptador deverá ser utilizado apenas em espaços interiores.



Antes da utilização, leia o manual de instruções.

## Segurança eléctrica



O seu carregador tem isolamento duplo. Por esse motivo, não precisa de ligação à terra. Verifique sempre se a tensão de alimentação corresponde à tensão indicada na placa de especificações. Nunca tente substituir a unidade do carregador por uma tomada de alimentação normal.

- ◆ Se o cabo de alimentação estiver danificado, terá de ser substituído pelo fabricante ou por um Centro de Assistência autorizado BLACK+DECKER, de modo a evitar situações de perigo.

## Rótulos do aparelho

Os seguintes símbolos de aviso apresentam os seguintes símbolos de aviso juntamente com o código de data:



Antes de utilizar o aparelho, leia o manual.



Utilize óculos ou viseiras de protecção quando utilizar este aparelho.



Utilize protecções auditivas adequadas ao utilizar o aparelho.



Retire sempre a bateria do aparelho antes de efectuar qualquer processo de limpeza ou manutenção.



Esteja atento à projecção de objectos. Mantenha as pessoas afastadas da área de corte.



Não exponha o aparelho à chuva ou humidade elevada.



A potência sonora cumpre a Directiva 2000/14/CE.

## Componentes

Este aparelho inclui algumas ou todas as seguintes características.

1. Gatilho
2. Botão de desbloqueio
3. Punho
4. Pega auxiliar
5. Botão de ajuste da altura
6. Cabeça do cortador
7. Guia de régua
8. Protecção
9. Compartimento do cilindro
10. Bateria

## Carregar a bateria (Fig. A)

A bateria precisa de ser carregada antes da primeira utilização e sempre que não conseguir produzir energia suficiente em trabalhos anteriormente feitos sem dificuldade.

A bateria pode aquecer durante o carregamento. Isto é normal e não indica um problema.

**Atenção!** Não carregue a bateria a temperaturas ambiente inferiores a 10 °C ou superiores a 40 °C. Temperatura de carregamento recomendada: aproximadamente 24 °C.

**Nota:** O carregador não irá carregar a bateria se a temperatura das células for inferior a 10 °C ou superior a 40 °C.

A bateria não deve ser retirada do carregador para que este comece a carregar automaticamente quando a temperatura das células aquecer ou arrefecer.

- ◆ Ligue o carregador numa tomada adequada antes de inserir a bateria.
- ◆ Insira a bateria no carregador.



O LED verde ficará a piscar, indicando que a bateria está a ser carregada.



A conclusão do processo de carregamento é LED verde, que permanece ligado de maneira contínua. A bateria fica totalmente carregada e pode ser utilizada nesta altura ou pode deixá-la no carregador.

**Atenção!** Recarregue as baterias descarregadas assim que possível após a utilização, caso contrário a duração da bateria pode diminuir consideravelmente.

## Diagnóstico do carregador

Este carregador foi concebido para detectar determinados problemas que possam surgir com baterias ou a fonte de alimentação. Os problemas são indicados pela iluminação de um LED intermitente com diferentes padrões.

## Problemas na bateria



O carregador permite detectar uma bateria fraca ou danificada. O LED vermelho pisca com o padrão indicado na etiqueta. Se aparecer este padrão intermitente de problemas na bateria, interrompa o carregamento da bateria. Entregue-a a um centro de assistência ou num local de recolha para reciclagem

## Retardação de calor/frio



Quando o carregador detecta que uma bateria está demasiado quente ou fria, inicia automaticamente a retardação de calor/frio, interrompendo o processo de carga até a bateria normalizar. Em seguida, o carregador muda automaticamente para o modo Carregar a bateria. Esta função assegura a duração máxima da bateria. O LED vermelho pisca no padrão indicado na etiqueta quando a retardação de calor/frio é detectada.

## Deixar a bateria no carregador

O carregador e a bateria podem permanecer ligados com o LED aceso indefinidamente. O carregador irá manter a bateria completamente carregada.

## Notas importantes sobre carregamento

- ◆ É possível aumentar a duração e o desempenho da bateria se carregá-la quando a temperatura ambiente se situar entre 65°F e 75°F (18°- 24°C). NÃO carregue a bateria se a temperatura ambiente for inferior a +4,5 °C ou superior a +40,5 °C. Isto é importante e impede danos graves na bateria.
- ◆ O carregador e a bateria podem ficar demasiado quentes durante o carregamento. Isto é normal e não representa um problema. Para facilitar o arrefecimento da bateria, evite colocar o carregador ou a bateria num local quente, como num barracão metálico ou num reboque não isolado.

- ◆ Se a bateria não carregar correctamente:
  - ◆ Verifique a corrente no receptáculo, ligando uma lâmpada ou outro aparelho
  - ◆ Verifique se o receptáculo está ligado a um comutador de iluminação que se desliga quando desliga as luzes.
  - ◆ Coloque o carregador e a bateria num local onde a temperatura num local onde a temperatura do ar ambiente seja de aproximadamente 18 ° 24 °C.
  - ◆ Se os problemas de carregamento persistirem, leve o aparelho, a bateria e o carregador para um centro de assistência local.
- ◆ A bateria deve ser recarregada se não fornecer energia suficiente durante trabalhos que tenham sido efectuados facilmente. NÃO CONTINUE a utilizar o aparelho nestas condições. Siga o procedimento de carregamento. Pode também carregar uma bateria parcialmente utilizada sempre que quiser, porque não afecta a bateria.
- ◆ Os materiais estranhos condutores como, por exemplo, mas não limitado a, lâ de aço, folha de alumínio ou qualquer acumulação de partículas metálicas devem ser removidos dos orifícios do carregador. Desligue sempre o carregador da fonte de alimentação quando não estiver inserida uma bateria no respectivo compartimento. Desligue o carregador antes de proceder à limpeza.
- ◆ Não congele nem coloque o carregador dentro de água ou de outros líquidos.

**Atenção!** Perigo de choque. Não permita a entrada de líquidos no carregador. Nunca tente abrir a bateria, seja qual for o motivo.

Se a estrutura de plástico da bateria se partir ou rachar, envie o aparelho para um centro de assistência para reciclagem.

### Inserir e retirar a bateria do aparelho

**Atenção!** Certifique-se de que o botão de desbloqueio não está na posição correcta para impedir a activação acidental do interruptor de funcionamento, antes de retirar ou instalar a bateria.

### Instalar a bateria

Insera a bateria (10) no aparelho até ouvir um som de encaixe (Figura B). Certifique-se de que a bateria está totalmente encaixada na posição.

### Retirar a bateria

Prima o botão de libertação da bateria (11), como indicado na Figura C e retire a bateria do aparelho.

### Montagem

**Atenção!** Antes da montagem, certifique-se de que a ferramenta está desligada e a bateria foi retirada.

**Ferramentas de montagem necessárias (não fornecidas):**  
Chave de fendas Phillips.

### Instalar a protecção (Fig. D, E)

**Atenção!** Retire a bateria do aparelho antes de instalar a protecção, a guia de régua ou o punho. Nunca utilize o aparelho sem a protecção devidamente instalada. A protecção deve estar sempre instalada no aparelho para proteger o utilizador.

- ◆ Remova o parafuso da protecção.

- ◆ Volte o cortador ao contrário de modo a olhar para baixo e ver o tampão do cilindro (16).
- ◆ Volte a protecção (8) ao contrário e faça-a deslizar completamente para o compartimento do motor (12). Certifique-se de que as patilhas (13) na protecção encaixam nos orifícios (14) do compartimento do motor, como indicado na Figura D.
- ◆ Continue a fazer deslizar a protecção até ouvir um som de encaixe.
- ◆ Com uma chave de fendas Phillips, insira o parafuso da protecção e aperte-o com firmeza, como indicado na figura E para completar a montagem da protecção.
- ◆ Após a instalação da protecção, remova a cobertura da lâmina da linha de corte, que se encontra na extremidade da protecção.

**Atenção!** Nunca utilize a ferramenta sem que a protecção se encontre montada correctamente.

### Ajuste de altura (Fig. F, G–G3)

**Atenção!** Ajuste o comprimento do cortador para obter as posições de trabalho adequadas, como indicado nas Figuras G - G3.

- ◆ A altura geral do cortador pode ser ajustada afrouxando o botão de ajuste da altura (5) e rodando-o na direcção da seta, como indicado na Figura F.
- ◆ Mova a estrutura superior para cima ou para baixo. Quando for atingida a altura pretendida, aperte o botão, rodando-o na direcção oposta à indicada na Figura F.

### Soltar a linha de corte

Durante o transporte, a linha de corte encontra-se colada com fita adesiva ao compartimento do cilindro.

- ◆ Remova a fita adesiva que prende a linha de corte ao compartimento do cilindro.

### Funcionamento

**Atenção!** Utilize sempre protecção ocular adequada.

**Atenção!** Utilize apenas o tipo de linha de corte adequado antes de iniciar a poda.

**Nota:** inspecione a área que pretende cortar e retire quaisquer fios, cabos ou objectos semelhantes a fios que possam ficar presos na linha de rotação ou no cilindro. Tenha especial cuidado para evitar que qualquer fio fique dobrado para fora na direcção do aparelho, como rebarbas na base de uma rede metálica simples.

### Ligar e desligar

- ◆ Para ligar a ferramenta, pressione o botão de desbloqueio (2) e aperte o gatilho (1).
- ◆ Para desligar o aparelho, solte o gatilho.

### Utilizar o cortador (Fig. F, G–G3)

- ◆ Com a unidade ligada, ajuste o ângulo e faça oscilar o cortador de um lado para o outro como demonstrado na Figura G.
- ◆ Mantenha um ângulo de corte de 5 a 10 ° como demonstrado na Figura G1. Não ultrapasse os 10 ° (Figura G2). Corte com a ponta da linha. Use a guia de régua (7) para manter a distância em relação a superfícies duras.

- ◆ Mantenha uma distância mínima de 600 mm entre a protecção e os seus pés, conforme demonstrado na Figura G3. Para obter esta distância, ajuste a altura geral do cortador conforme demonstrado na Figura F.

### Converter para o modo de aparagem (Fig. H, I)

**Atenção!** Ao ser utilizado como aparador, a linha pode projectar pedras, pedaços de metal e outros objectos a alta velocidade. O cortador e a protecção foram concebidos para reduzir o perigo. No entanto, **CERTIFIQUE-SE** de que não existem pessoas ou animais a uma distância inferior a 30 m. Os melhores resultados de corte são obtidos em extremidades com mais de 50 mm.

- ◆ Remova a bateria do cortador.
- ◆ Para utilizar a ferramenta como aparador de manutenção, rode o botão (5) como indicado na parte 1 da Figura H.
- ◆ Segure no eixo de metal e rode a estrutura inferior num ângulo de 180°, como indicado na parte 2.
- ◆ Rode o botão até ficar apertado.
- ◆ Levante a guia de régua (7) para a posição de aparagem, como indicado na Figura I.
- ◆ Posicione o aparador acima da superfície, como indicado na Figura J.
- ◆ Volte para a posição de corte, afrouxando o botão de bloqueio e rodando a estrutura inferior de novo para um ângulo de 180°. Rode o botão até ficar apertado.

### Ajuda para cortar pontas

- ◆ Utilize a ponta do fio para fazer o corte. Não force a parte superior do fio na direcção da relva que pretende cortar. Utilize a guia de régua ao longo de objectos como vedações, casas e canteiros para obter os melhores resultados.
- ◆ Os arames e as vedações causam um desgaste adicional do fio, podendo até parti-lo. As paredes de pedra e de tijolo, parapeitos e madeira podem desgastar o fio rapidamente.
- ◆ Não permita que a tampa do cilindro arraste no chão ou noutras superfícies.
- ◆ Se o material que pretende cortar for comprido, faça o corte de cima para baixo e não o faça a uma altura superior a 300 mm.
- ◆ Mantenha o aparador inclinado para a área que pretende cortar. Esta é a melhor área de corte.
- ◆ O aparador corta quando atravessa a unidade da direita para a esquerda. Deste modo, não são projectadas aparas para o utilizador.
- ◆ Evite cortar árvores e arbustos. O fio pode danificar facilmente cascas de árvore, madeira com cercaduras, revestimentos exteriores e postes de cercas.

### Linha de corte/linha de alimentação

O aparador utiliza um fio de nylon redondo, com 1,65 mm de diâmetro. Durante a utilização, as pontas dos fios de nylon começam a desfilar e ficam gastos, e o cilindro de alimentação automática especial é inserido automaticamente e corta um novo comprimento de fio. A linha de corte apresentará um desgaste mais rápido e necessitará de ser substituída se o corte ou a aparagem forem efectuados ao longo de passeios ou outras superfícies abrasivas ou se cortar ervas mais

resistentes. O avançado mecanismo de alimentação da linha automático detecta quando é necessária mais de uma linha de corte e introduz e apara o comprimento correcto da linha sempre que for necessário. Não bata com a unidade no chão para tentar introduzir a linha ou para qualquer outra finalidade.

### Remover encravamentos e linha emaranhada (Fig. K, L, M)

**Atenção!** Retire a bateria do aparador antes de efectuar qualquer montagem, ajuste ou substituir acessórios. Estas medidas de segurança reduzem o risco de o aparelho ser ligado acidentalmente. Ocasionalmente, em especial quando cortar ervas grossas ou com talos compridos, o cubo de alimentação da linha pode ficar obstruído com seiva ou outro material, e a linha pode ficar encravada como resultado. Para resolver o encravamento, siga os passos indicados abaixo.

- ◆ Remova a bateria do cortador.
- ◆ Prima as patilhas de libertação (15) na tampa do cilindro da linha (16), como indicado na Figura K e retire a tampa puxando-a para fora.
- ◆ Puxe o cilindro do fio de nylon para fora e retire qualquer linha partida ou resíduos de corte da área do cilindro.
- ◆ Coloque o cilindro e a linha na tampa do cilindro com a linha fixada nas ranhuras, como indicado na Figura L1.
- ◆ Insira a ponta da linha através do orifício adequado no compartimento do cilindro. Puxe a linha solta até ficar de fora das ranhuras de fixação, como indicado na Figura L2.
- ◆ Prima o cilindro com cuidado para baixo e rode-o até sentir que encaixou no local adequado e depois empurre-o para encaixar no ponto pretendido. (Quando está colocado no respectivo local, é possível rodar o cilindro alguns graus para a esquerda e para a direita).
- ◆ Não permita que a linha fique presa debaixo do cilindro.
- ◆ Alinhe as patilhas da tampa do cilindro com as ranhuras no compartimento do cilindro.
- ◆ Encaixe a tampa do cilindro de novo, como indicado na Figura M, premindo as alhetas e pressionando o compartimento do cilindro.

**Nota:** Certifique-se de que a tampa está totalmente posicionada, irá ouvir dois cliques a garantir que ambas as alhetas estão localizadas correctamente. Ligue o aparelho. Num espaço de poucos segundos ou menos irá ouvir o fio de nylon a ser cortado automaticamente de acordo com o comprimento adequado.

**Atenção!** Para evitar danos no aparelho se a linha de corte ultrapassar a lâmina de corte, corte-a para que chegue apenas até à lâmina.

**Nota:** Outras peças sobresselentes (protecções, tampões de cilindro, etc.) estão disponíveis através dos centros de assistência da BLACK+DECKER. Para encontrar o seu centro de assistência local, visite [www.blackanddecker.com](http://www.blackanddecker.com).

**Atenção!** A utilização de qualquer acessório não recomendada pela BLACK+DECKER para a utilização com este aparelho poderá ser perigosa.

### Substituição do cilindro (Fig. K, L, M, N)

- ◆ Remova a bateria do aparelho.
- ◆ Mantenha as patilhas (15) premidas e remova o tampão do cilindro (16) do compartimento (17) (Figura K).
- ◆ Segure no cilindro vazio com uma mão e no compartimento com a outra, e puxe o cilindro para fora.

- ◆ Se a alavanca (18) (Figura N) na base do compartimento sair do lugar, volte a colocá-la na posição correcta antes de inserir o novo cilindro no compartimento.
- ◆ Remova a erva e poeiras do cilindro e do compartimento.
- ◆ Desaperte a extremidade da linha de corte e coloque a linha no ílhó (L2) Figura L.
- ◆ Coloque o novo cilindro no cubo do compartimento (19) (Figura N) no compartimento. Rode ligeiramente o cilindro até encaixar. A linha deverá sair aproximadamente 136 mm do compartimento.
- ◆ Alinhe as patilhas do tampão do cilindro com as ranhuras (20) do compartimento (Figura M).
- ◆ Empurre o tampão em direcção ao compartimento até encaixar de forma firme na posição respectiva.

### Rebobinar o cilindro da linha vendida por atacado (Fig. O, P, Q)

A linha vendida por atacado também está disponível no seu revendedor local. Nota: Os cilindros com linha comprada por atacado rebobinada à mão têm maior probabilidade de ficarem emaranhados do que os cilindros da BLACK+DECKER. Recomendamos a utilização de cilindros já bobinados para obter melhores resultados. Para instalar a linha comprada por atacado, siga os passos abaixo:

- ◆ Remova a bateria do aparelho.
- ◆ Remova o cilindro vazio do aparelho, conforme descrito em „Substituir o cilindro“.
- ◆ Remova do cilindro a linha de corte que eventualmente sobrar.
- ◆ Dobre a extremidade da linha de corte aos 19 mm (20). Carregue a linha de corte num dos encaixes de linha (21) conforme demonstrado na Figura O.
- ◆ Insira a extremidade da linha vendida por atacado de 19 mm no orifício (22) no cilindro adjacente à ranhura, como indicado na Figura P. Certifique-se de que a linha é puxada com firmeza contra o cilindro, como indicado na Figura P.
- ◆ Enrole a linha de corte no cilindro, no sentido da seta visível no mesmo. Certifique-se de que enrola a linha de forma ordenada, por camadas. Não cruze as linhas (Figura Q).
- ◆ Quando a linha de corte enrolada chegar ao encaixe (23), corte a linha (Figura P).
- ◆ Encaixe o cilindro no cortador conforme descrito em „Substituir o cilindro“.

### Manutenção

O seu aparelho/ferramenta com/sem fios BLACK+DECKER foi concebido para funcionar durante muito tempo, com um mínimo de manutenção. O funcionamento contínuo e satisfatório depende de uma manutenção adequada e limpeza regular da ferramenta/aparelho.

O seu carregador não necessita de manutenção para além da limpeza regular.

**Atenção!** Antes de proceder a qualquer acção de manutenção em ferramentas eléctricas com cabo/sem fios:

- ◆ Desligue o aparelho/ferramenta e retire a respectiva ficha da tomada.
- ◆ Ou desligue e remova a bateria do aparelho/ferramenta caso o aparelho/ferramenta tenha uma bateria individual.

- ◆ Ou deixe a bateria descarregar completamente se estiver incorporada e, em seguida, desligue-a.
- ◆ Desligue o carregador antes de o limpar. O seu carregador não necessita de manutenção para além da limpeza regular.
- ◆ Limpe regularmente as ranhuras de ventilação da ferramenta/aparelho e do carregador com uma escova suave ou um pano seco.
- ◆ Limpe regularmente o compartimento do motor com um pano húmido. Não utilize produtos de limpeza abrasivos ou à base de solventes.
- ◆ Limpe regularmente a linha de corte e o cilindro com uma escova ou um pano seco e suave.
- ◆ Utilize regularmente uma raspadeira para remover relva e sujidade da parte inferior da protecção.

### Resolução de problemas

Problema	Solução
<b>A ferramenta está lenta.</b>	<p>Remove a bateria do cortador.</p> <p>Verifique se o compartimento do cilindro pode rodar livremente. Se necessário, limpe-o cuidadosamente.</p> <p>Certifique-se de que não saem do compartimento do cilindro mais do que aproximadamente 122 mm do cilindro. Caso contrário, corte-a para que chegue apenas até à lâmina da linha de corte</p>
<b>A alimentação automática da linha não introduz a linha.</b>	<p>É introduzida mais linha quando o comprimento da linha é inferior em cerca de 76 mm. Para determinar se a linha não é inserida, deixe que a linha passe após este ponto.</p> <p>Mantenha as patilhas premidas e retire a tampa do cilindro com o compartimento do cilindro na cabeça do aparelho.</p> <p>Certifique-se de que a linha não fica cruzada no cilindro, como indicado na (Fig. Q). Se estiver desenrolada, desenrole a linha de corte e volte a enrolá-la correctamente.</p> <p>Inspeccione se os rastros na parte inferior do cilindro apresentam danos. Se estiverem danificados, substitua o cilindro.</p> <p>Puxe a linha de corte até que saia cerca de 122 mm do cilindro. Se a linha de corte restante no cilindro for insuficiente, instale um novo cilindro de linha de corte.</p> <p>Alinhe as patilhas da tampa do cilindro com os recortes do compartimento.</p> <p>Empurre a tampa do cilindro na direcção do compartimento até encaixar de forma firme na posição respectiva.</p> <p>Se a linha de corte ultrapassar a lâmina de corte, corte-a para que chegue apenas até à lâmina. Se a alimentação automática de linha continuar a não funcionar ou o cilindro estiver encravado, experimente as seguintes sugestões:</p> <p>Limpe cuidadosamente o cilindro e o compartimento.</p> <p>Certifique-se de que utiliza uma linha com um tamanho e um diâmetro correctos (2,00 mm) - linhas com tamanho inferior e superior afectam o funcionamento do sistema de alimentação automática.</p> <p>Remova o cilindro e verifique se a alavanca no cilindro se pode movimentar sem restrições.</p> <p>Remova o cilindro e desenrole a linha de corte. Em seguida volte a enrolá-la de forma ordenada. Volte a colocar o cilindro no compartimento.</p>

Problema	Solução
<b>Alimentação excessiva</b>	Certifique-se de que corta com a ponta da linha a uma distância de 177 mm do cilindro. Utilize a guia de régua se necessário para assegurar uma distância adequada. Certifique-se de que não excede um ângulo de 10° como indicado em (Fig. G1).
<b>A linha desenrola-se quando a tampa ou o cilindro são removidos</b>	Certifique-se de que encaixa as linhas nas ranhuras de fixação (Figura L1) antes de retirar.

### Protecção do ambiente



Faça uma recolha de lixo selectiva. Os produtos e baterias assinalados com este símbolo não devem ser eliminados em conjunto com resíduos domésticos normais.

Os produtos e baterias contêm materiais que podem ser recuperados ou reciclados, reduzindo a necessidade de matérias-primas. Recicle os produtos eléctricos e as baterias de acordo com as disposições locais.

### Dados técnicos

		ST182320
Voltagem de Entrada	V <sub>ac</sub>	18
Velocidade sem carga	min <sup>-1</sup>	9000
Peso	kg	2.05

		BL2018
Tensão	V <sub>cc</sub>	18
Capacidade	Ah	2.0
Tipo		Iões de lítio

		905902** (tipo 1)
Voltagem de Entrada	V <sub>ac</sub>	230
Voltagem de Saída	V <sub>cc</sub>	18
Corrente	mA	400

Valor ponderado da vibração da mão/braço, de acordo com a norma EN50636-2-91:

= < 3.6 m/s, imprecisão (K) = 1,5 m/s.

L<sub>wa</sub>(pressão acústica) 76 dB(A)

imprecisão (K) = 2,6 dB(A)

### Declaração de conformidade CE

DIRECTIVA "MÁQUINAS"  
DIRECTIVA SOBRE RUIDO EXTERIOR



Cortador de fios sem fio ST182320  
A Black & Decker declara que os produtos descritos nos "dados técnicos" estão em conformidade com:  
2006/42/CE, EN60335-1:2012 + A11:2014  
EN50636-2-91:2014

2000/14/EC, Cortador de relvados, L ≤ 50 cm, Anexo VI  
Certificação da DEKRA B.V., Utrechtseweg 310,  
6802 ED Arnhem, Países Baixos  
N.º de ID do Organismo Notificado: 0344

Nível de potência acústica de acordo com 2000/14/CE  
(Artigo 12, Anexo III, L ≤ 50 cm):  
L<sub>wa</sub> (potência acústica medida) 88 dB(A)  
imprecisão (K) = 2,6 dB(A)  
L<sub>pa</sub> (potência sonora garantida) 96 dB(A)

Estes produtos estão também em conformidade com as Directivas 2014/30/UE e 2011/65/UE. Para mais informações, contacte a Black & Decker no endereço indicado em seguida ou consulte o verso do manual.

O signatário é responsável pela compilação do ficheiro técnico e efectua esta declaração em nome da Black & Decker.

R. Laverick  
Director de Engenharia  
Black & Decker Europe, 210 Bath Road, Slough,  
Berkshire, SL1 3YD  
Reino Unido  
15/11/2016

### Garantia

A Black & Decker confia na qualidade dos seus produtos e oferece aos clientes uma garantia de 24 meses a partir da data de compra. Esta garantia é um complemento dos seus direitos estabelecidos por lei, não os prejudicando de forma alguma. A garantia é válida nos Estados-membros da União Europeia e nos países-membros da Zona Europeia de Comércio Livre. Para accionar a garantia, esta deve estar em conformidade com os termos e condições da Black&Decker e terá de apresentar comprovativos de compra ao vendedor ou a um agente de reparação autorizado.

Os termos e condições da garantia de 2 anos da Black&Decker e a localização do agente de reparação autorizado mais próximo pode ser obtido na Internet em [www.2helpU.com](http://www.2helpU.com) ou contactando uma filial da Black & Decker, cuja morada está indicada neste manual.

Visite o nosso Website [www.blackanddecker.co.uk](http://www.blackanddecker.co.uk) para registar o novo produto Black & Decker e manter-se atualizado relativamente a novos produtos e ofertas especiais.

**Avsedd användning**

Din BLACK+DECKER ST182320 trimmer är avsedd för trimning av gräsmattans kanter och för klippning av gräs på begränsade områden. Denna apparat är endast avsedd för konsumentbruk.

**Säkerhetsinstruktioner**

**Varning!** Vid användning av nätdrivna apparater ska allmänna säkerhetsåtgärder, inklusive följande, alltid vidtas. Detta för att förhindra brand, elstötar, person- och materialskador.

**Varning!** Vid användning av maskinen ska säkerhetsföreskrifterna följas. För din egen och närvarande personers säkerhet bör du läsa dessa instruktioner innan du använder maskinen. Spara instruktionerna för senare bruk.

- ◆ Läs hela den här bruksanvisningen noga innan du börjar använda apparaten.
- ◆ Avsedd användning beskrivs i denna bruksanvisning. Använd inte apparaten med andra tillbehör än de som rekommenderas i den här bruksanvisningen och inte heller till andra användningsområden eftersom det kan leda till personskador.
- ◆ Spara den här bruksanvisningen för framtida referens.

**Använda apparaten**

Var alltid försiktig när du använder apparaten.

- ◆ Använd alltid säkerhetsglasögon eller skyddsglasögon.
- ◆ Låt aldrig barn, personer med reducerad sensorisk eller mental kapacitet eller utan erfarenhet eller kunskap eller personer som är obekant med dessa instruktioner använda maskinen, lokala

bestämmelser kan begränsa åldern hos operatören.

- ◆ Använd inte maskinen i närheten av andra människor (främst barn) eller husdjur.
- ◆ Låt inte barn eller djur komma i närheten av arbetsområdet eller röra vid apparaten.
- ◆ Om det finns barn i närheten när du använder redskapet ska du övervaka dem noga.
- ◆ Denna apparat är inte avsedd att användas av unga eller oerfarna personer utan övervakning.
- ◆ Denna apparat ska inte användas som leksak.
- ◆ Använd endast apparaten i dagsljus eller i tillräcklig artificiell belysning.
- ◆ Använd den endast på en torr plats. Skydda apparaten från väta.
- ◆ Undvik att använda apparaten under dåliga väderförhållanden, särskilt när det är risk för åska.
- ◆ Doppa aldrig apparaten i vatten.
- ◆ Öppna inte höljet. Det finns inga servicebara delar inuti.
- ◆ För att undvika explosionsrisk bör du inte använda apparaten i omgivningar med brandfarliga vätskor, gaser eller damm.
- ◆ Apparaten får bara användas med den strömförsörjningsenhet som levereras med apparaten.

**Övriga risker**

Ytterligare risker som inte finns med i de bifogade säkerhetsanvisningarna kan uppstå när verktyget används. Dessa risker kan uppstå vid felaktig eller långvarig användning, etc.

Även om alla relevanta säkerhetsanvisningar följs och säkerhetsanordningar används kan vissa risker inte undvikas. Dessa omfattar:

- ◆ Skador orsakade av att roterande/rörliga delar vidrörs.
- ◆ Skador som uppstår vid byte av delar, blad eller tillbehör.
- ◆ Skador som orsakas av långvarig användning av ett verktyg. Se till att regelbundet ta vilopauser när du använder ett verktyg under en längre period.
- ◆ Hörselnedsättning.
- ◆ Hälsorisker orsakade av inandning av damm när redskapet används (exempel: arbete med trä, särskilt ek, bok och MDF.)

## Efter användning

- ◆ När den inte används bör apparaten förvaras utom räckhåll för barn på en torr plats med god ventilation.
- ◆ Barn ska inte ha tillgång till apparater under förvaring.
- ◆ När apparaten förvaras eller transporteras i en bil ska det placeras i bagageutrymmet eller spännas fast så att det inte rör sig vid plötsliga ändringar av hastighet eller riktning.

## Kontroll och reparationer

- ◆ Kontrollera att apparaten är hel och att inga delar är skadade innan du använder den. Kontrollera att inga delar är trasiga och att inget annat föreligger som kan påverka redskapets funktion.
- ◆ Använd inte apparaten om någon del har skadats eller gått sönder.

- ◆ Låt en auktoriserad verkstad reparera eller byta ut skadade eller trasiga delar.
- ◆ Försök aldrig avlägsna eller byta ut andra delar än de som anges i den här bruksanvisningen.

## Säkerhet för andra

- ◆ Apparaten kan användas av barn från åtta år och personer med nedsett fysisk eller psykisk förmåga eller bristande erfarenhet eller kunskap, om de får lämplig vägledning och är medvetna om riskerna. Barn ska inte leka med apparaten. Rengöring och användarunderhåll ska inte utföras av barn utan övervakning.
- ◆ Barn ska hållas under uppsikt så att de inte leker med apparaten.

## Vibrationer

De uppgivna vibrationsvärdena i avsnitten Tekniska data och EG-deklaration om överensstämmelse har uppmätts i enlighet med en standardtestmetod föreskriven i EN50636 och kan användas för jämförelse med andra verktyg. Det angivna vibrationsvärdet kan även användas för en preliminär bedömning av exponering.

**Varning!** Vibrationsvärdet under faktisk användning av elverktyget kan skilja sig från det uppgivna värdet beroende på hur verktyget används. Vibrationsnivån kan överstiga den uppgivna nivån. Vid uppskattning av vibrationsexponering i syfte att bedöma vilka



säkerhetsåtgärder som är nödvändiga enligt 2002/44/EG för att skydda personer som regelbundet använder elverktyg i arbetet ska man utgå från de faktiska omständigheter under vilka elverktyget används och sättet på vilket det används. Bedömningen ska även ta hänsyn till alla moment i arbetscykeln, t.ex. när verktyget är avstängt och när det går på tomgång såväl som när det faktiskt används.

## Ytterligare säkerhetsanvisningar för grästrimmer

**Varning!** Skärande delar fortsätter att rotera efter att motorn stängts av.

- ◆ Bekanta dig med reglagen och ta reda på hur apparaten ska användas.
- ◆ Ta alltid bort batteriet från apparaten när den inte är under uppsikt, innan borttagning av blockering, innan rengöring och underhåll, efter att träffat ett främmande föremål eller närhelst apparaten börja vibrera onormalt.
- ◆ Bär kraftiga skor eller stövlar för att skydda dina fötter.
- ◆ Bär långbyxor för att skydda dina ben.
- ◆ Innan du använder apparaten ska du se till att det område som ska trimmas är fritt från grenar, stenar, ledningar och andra hinder.
- ◆ Använd endast apparaten i upprätt position med trimmertråden nära marken. Slå aldrig på apparaten i någon annan position.
- ◆ Rör dig långsamt när du använder apparaten. Tänk på att nyklippt gräs är fuktigt och halt.
- ◆ Arbeta inte i branta sluttningar. Arbeta tvärs över sluttningar, inte upp och ner.

- ◆ Korsa inte grusgångar eller vägar medan apparaten är i drift.
- ◆ Vidrör aldrig trimmertråden när apparaten körs.
- ◆ Sätt inte ner apparaten förrän trimmertråden helt står stilla.
- ◆ Använd endast rätt sorts trimmertråd. Använd aldrig trimmertråd i metall eller fiskelina.
- ◆ Var noga med att aldrig röra vid trimmerbladet.
- ◆ Håll alltid händer och fötter borta från trimmertråden, särskilt då motorn startas.
- ◆ Innan du använder apparaten och efter alla sorters stötar, bör du undersöka den efter tecken på slitage eller skada och reparera om så behövs.
- ◆ Använd inte apparaten med skadade skydd eller utan skydden på plats.
- ◆ Var försiktig så att du inte skadas av anordningar för justering av fiberlinans längd. Efter att ha dragit ut ny trimmertråd ska du alltid placera maskinen i normalt driftläge innan den startas.
- ◆ Kontrollera alltid att ventilationsöppningarna hålls fria från skräp.

## Ytterligare säkerhetsinstruktioner för batterier och laddare

### Batterier

- ◆ Försök aldrig öppna batteriet.
- ◆ Utsätt inte batteriet för vatten.
- ◆ Förvara inte apparaten på platser där temperaturen kan bli högre än 40 °C.
- ◆ Ladda endast vid temperaturer mellan 10 °C och 40 °C.

- ◆ Ladda endast med hjälp av laddaren som medföljer verktyget.
- ◆ Följ instruktionerna som anges i avsnittet "skydda miljön" när du kastar batterierna".

## Laddare

- ◆ Använd endast laddaren från BLACK+DECKER för att ladda batteriet i det apparat som laddaren levererades med. Andra batterier kan spricka och orsaka personskador och andra skador.
- ◆ Försök aldrig ladda batterier som inte är uppladdningsbara.
- ◆ Byt defekta sladdar omgående.
- ◆ Utsätt inte laddaren för vatten.
- ◆ Öppna inte laddaren.
- ◆ Gör ingen åverkan på laddaren.



Laddaren är endast avsedd för användning inomhus



Läs bruksanvisningen före användning.

## Elsäkerhet



Eftersom laddaren är dubbelisolerad behövs ingen jordledare. Kontrollera alltid att nätspänningen överensstämmer med värdet på typskylten. Försök aldrig byta ut kontakten till laddaren mot en vanlig kontakt.

- ◆ Om nätsladden är skadad måste den bytas ut av tillverkaren eller ett auktoriserat BLACK+DECKER servicecenter för att undvika fara.

## Etiketter på apparaten

Följande varningssymboler finns på redskapet, tillsammans med datumkoden:



Läs bruksanvisningen innan användning.



Bär alltid skyddsglasögon när du använder denna apparat.



Bär lämpliga hörselskydd när du använder redskapet.



Ta alltid bort batteriet från apparaten innan någon rengöring eller underhåll utförs.



Se upp för flygande föremål. Håll andra personer borta från arbetsområdet.



Utsätt inte apparaten för regn eller hög luftfuktighet.



Garanterad ljudnivå enligt direktiv 2000/14/EG.

## Funktioner

Denna apparat har några eller samtliga av följande funktioner:

1. Avtryckare
2. Låsknapp
3. Handtag
4. Hjälphandtag
5. Höjdinställningshylsa
6. Trimmerhuvud
7. Kantguide
8. Skydd
9. Spolhölje
10. Batteri

## Ladda batteriet (bild A)

Batteriet måste laddas innan det används för första gången samt varje gång det inte ger tillräckligt hög effekt för arbeten som tidigare klarades av. Batteriet kan bli varmt när det laddas. Det är normalt och innebär inte att något är fel.

**Varning!** Ladda inte batteriet om temperaturen i luften är lägre än 10 °C eller högre än 40 °C. Den rekommenderade laddningstemperaturen är cirka 24 °C.

**Notera:** Laddaren laddar inte batteriet om celltemperaturen är lägre än ungefär 10 °C eller högre än 40 °C.

Batteriet får då sitta kvar i laddaren, som kommer att börja laddningen automatiskt när celltemperaturen har stigit eller sjunkit.

- ◆ Koppla in laddaren i lämpligt uttag innan batteripaketet sätts i.
- ◆ Sätt in batteripaketet i laddaren.



Den gröna LED kommer att blinka, vilket visar att batteriet laddas.



Fullfört lading visas ved at den grønne LED-en er på. Pakken er da fullt opladet og kan brukes, eller den kan bli stående i laderen.

**Varning!** Ladda urladdade batterier så snart som möjligt efter användning, i annat fall kan batterilivslängden minska betydligt.

### Laddardiagnostik

Denna laddare är designad att upptäcka vissa problem som kan uppstå med batteripaketet eller strömkällan. Problemen indikeras av en LED-blinkning i olika mönster.

### Dåligt batteri



Laddaren kan upptäcka ett svagt eller skadat batteri. Den röda LED blinkar i mönster som anges på etiketten. Om du ser detta blinkmönster för dåligt batteri, fortsätt då inte att ladda batteriet. Returnera det till ett servicecenter eller lämna det till batteriinsamlingen

### Varm/kall fördröjning



När laddaren upptäcker ett batteri som är överdrivet hett eller överdrivet kallt, kommer den automatiskt att starta en varm/kall fördröjning och avbryta laddningen tills batteriet har nått en lämplig temperatur. När detta sker växlar laddaren automatiskt till paketladdningsläget. Denna funktion garanterar maximal batterilivslängd. Den röda LED blinkar i mönstret som anges på etiketten när den heta/kalla paketfördröjningen upptäcks.

### Lämna batteriet i laddaren

Batteriet kan sitta kvar i laddaren och laddaren kan vara ansluten till vägguttaget hur länge som helst när indikatorn lyser. Laddaren ser till att batteriet hålls fräscht och fulladdat.

### Viktiga anmärkningar gällande laddning

- ◆ Längsta livslängd och bästa prestanda uppnås om batteripaketet laddas då lufttemperaturen är mellan 18 °C och 24 °C. Ladda INTE batteripaketet i lufttemperaturer under +4,5 °C eller över +40,5 °C. Detta är viktigt eftersom det förhindrar allvarlig skada på batteripaketet.
- ◆ Laddaren och batteripaketet kan bli för varma att vidröra under laddningen. Detta är normalt och indikerar inte något problem. För att möjliggöra kylning av batteripaketet, undvik att placera laddaren eller batteripaketet på en varm plats såsom i ett metallskjul eller i en oisolerad vagn
- ◆ Om batteripaketet inte laddas korrekt:
  - ◆ Kontrollera eluttaget genom att ansluta en lampa eller någon annan apparat
  - ◆ Kontrollera om uttaget är anslutet till en strömbrytare som stänger av strömmen när du tänder lamporna.
  - ◆ Flytta laddaren och batteripaketet till en plats där den omgivande temperaturen är ungefär 18 °C- 24 °C.
  - ◆ Om laddningsproblemen kvarstår, lämna verktyget, batteripaketet och laddaren till ditt lokala servicecenter.
- ◆ Batteripaketet måste laddas när de inte längre kan producera tillräckligt med energi för jobb som enkelt utfördes tidigare. FORTSÄTT INTE att använda det under dessa förhållanden. Följ laddningsproceduren. Du kan också ladda ett delvis använt paket när du så önskar utan att det har någon negativ effekt på batteripaketet.
- ◆ Främmande föremål som är ledande såsom, men inte begränsat till, stålull, aluminiumfolie eller ansamling av metallpartiklar bör hållas borta från laddningshållrummet. Koppla alltid ifrån laddaren från eluttaget när det inte finns något batteripaket i hållrummet. Koppla ifrån laddaren vid rengöring.
- ◆ Frys inte eller sänk ned laddaren i vatten eller annan vätska.

**Varning!** Risk för stöt. Låt ingen vätska komma in i laddaren. Försök aldrig att öppna batteripaketet av någon anledning.

Om plasthöljet på batteripaketet går sönder eller spricker, lämna det till ett servicecenter för återvinning.

### Montering och borttagning av batteripaketet från verktyget

**Varning!** Innan du sätter i eller tar ut batterierna ska du kontrollera att låsreglaget är i låst läge, så att du inte råkar slå på verktyget av misstag.

### Installera batteripaketet

Sätt in batteriet (10) i apparaten tills ett ljudligt klick hörs (bild B). Se till att batteripaketet sitter helt på plats och är låst i positionen.

### Ta bort batteripaketet

Tryck ned batterilåsknappen (11) såsom det visas i bild C och dra ut batteripaketet ur apparaten.

## Montering

**Varning!** Innan montering se till att verktyget är avstängt och att batteriet har tagits ur.

**Monteringsverktyg krävs (medföljer inte):**

Stjärnskruvmejsel.

## Fästa skyddet (bild D, E)

**Varning!** Ta bort batteriet från apparaten innan skyddet, kantguiden eller handtaget sätts fast. Använd aldrig apparaten utan att skyddet sitter fast på plats. Skyddet måste alltid sitta på apparaten för att skydda användaren.

- ♦ Ta bort skruven från skyddet.
- ♦ Vänd trimmern upp och ned, så att du tittar ned på spollocket (16).
- ♦ Vänd skyddet (8) upp och ned och skjut på det helt på motorhöjlet (12). Se till att filkarna (13) på skyddet glider in i hälen (14) på motorhöjlet såsom visas i bild D.
- ♦ Fortsätt skjuta på skyddet tills du hör det "knäppa" fast.
- ♦ Slutför monteringen av skyddet genom att med en stjärnskruvmejsel skruva dit skyddets fästskruv enligt (bild E).
- ♦ När skyddet är installerat tar du bort det som täcker bladet som skär av linan vid kanten på skyddet.

**Varning!** Använd aldrig verktyget om inte skyddet är ordentligt monterat.

## Justering av klipphöjd (bild F, G–G3)

**Varning!** Ställ in längden på trimmern för att få en korrekt arbetsställning såsom visas i bild G - G3.

- ♦ Den generella höjden på trimmern kan ställas in genom att lossa höjdställningshylsan (5) och vrida den i pilens riktning såsom visas i bild F.
- ♦ Flytta det övre höjlet rakt upp. När önskad höjd uppnåtts, dra åt hylsan genom att vrida den i motsatt riktning såsom visas i bild F.

## Lossa trimmertråden

Under transport är trimmertråden fasttejpad vid spolhöjlet.

- ♦ Lossa på tejen över trimmertråden på spolhöjlet .

## Drift

**Varning!** Använd alltid ögonskydd.

**Varning!** Använd alltid rätt sorts trimmertråd när du ska trimma.

**Notera:** inspektera området som skall trimmas och ta bort alla ledningar, sladdar eller trådaktiga föremål som kan trassla in sig i den roterande tråden eller spolen. Var särskilt noga med att undvika ledningar som kan böjas utåt i apparatens väg, såsom hulingar på basen av ett taggtrådsstängsel.

## Slå på och av

- ♦ Starta apparaten genom att trycka på låsknappen (2) och sedan på avtryckaren (1).
- ♦ Stäng av apparaten genom att släppa upp avtryckaren.

## Använda trimmern (bild F, G–G3)

- ♦ Med enheten påslagen vinklar och svänger du trimmern från sida till sida såsom visas i bild G.

- ♦ Se till att du har en trimningsvinkel på 5° till 10° såsom visas i bild G1. Överskrid inte 10° (bild G2). Skär med spetsen på linan. Använd kantguiden (7) för att hålla avståndet till hårda ytor.
- ♦ Se till att du har ett minsta avstånd på 600 mm mellan skyddet och dina fötter såsom visas i G3. Du uppnår detta avstånd genom att justera den totala trimmerhöjden enligt bild F.

## Konvertera till kantningsläge (bild H, I)

**Varning!** När den används för kantning kan linan kasta ut stenar, metallbitar och andra föremål med hög hastighet. Trimmern och skyddet är utformade för att minska faran. **SE DOCK TILL** att andra människor och husdjur befinner sig minst 30 m bort. Optimalt resultat uppnås på kanter som är högre än 50 mm.

- ♦ Ta bort batteriet från trimmern.
- ♦ För att använda den som en underhållskanttrimmer, vrid på hylsan (5) såsom visas i del 1 av bild H.
- ♦ Håll metallskafvet och vrid på det nedre höjlet 180° såsom visas i del 2.
- ♦ Vrid hylsan tills den sitter fast.
- ♦ Lyft på kantguiden (7) i kanttrimningsposition såsom visas i9 bild I.
- ♦ Placera trimmern ovanför ytan såsom visas i bild J.
- ♦ Vrid tillbaka till trimningsposition genom att lossa låshylsan och vrida det nedre höjlet tillbaka 180°. Vrid hylsan tills den sitter fast.

## Hjälpsamma klipptips

- ♦ Använd spetsen på tråden för att klippa, tvinga inte tråd-huvudet in i oklippt gräs. Använd kantguiden längs med staket, husfasader och blomrabatter för bästa praxis.
- ♦ Tråd- och spjalstaket sliter extra mycket på tråden och gör även att den går av. Sten- och tegelväggar, kantsten och trä kan slita på tråden mycket snabbt.
- ♦ Låt inte spollocket dras på marken eller andra ytor.
- ♦ Vid trimning av höga växter klipp ovanifrån och ned men överstig inte 300 mm i höjd.
- ♦ Håll trimmern lutad mot området som skall klippas, detta är bästa klippområdet.
- ♦ Trimmer klipper ner enheten passerar från höger till vänster. Detta kommer att undvika att skräp kastas på operatören.
- ♦ Undvik träd och buskar. Träbark, tränull, fasader och staketstolpar kan lätt skada tråden.

## Trimmertråd/trådmattning

Din trimmer använder rund nylontråd med 1,65 mm i diameter. Under användningen kommer spetsen på nylontråden att nötas och sliten och den särskilda matarspolen kommer automatiskt att mata ut och trimma en ny längd på linan. Trimmertråden slits snabbare och kräver mer utmatning om klippning och trimningen sker längs stenläggningar eller andra sträva ytor eller om kraftiga växter trimmas. Den avancerade automatiska trådmattningsmekanismen känner av när med klipptråd behövs och matar och trimmar den i korrekt längd när så behövs. Studsa inte med enheten på marken i försök att får den att mata ut tråd eller för något annat syfte.

## Rengöring av tråd som fastnat eller trasslar sig (bild K, L, M)

Varning! Ta bort batteriet från trimmern innan något montage, någon inställning eller byte av tillbehör sker. Därmed undviker du risken för oavsiktlig start av apparaten. Emellanåt, särskilt vid klippning av tjocka och stjälkliknande ogräs kan trådutmatningshubben bli igensatt med sav eller annat material vilket resulterar i att tråden fastnar. För borttagning av tråden som fastnat följ stegen nedan.

- ◆ Ta bort batteriet från trimmern.
- ◆ Tryck på låsflikarna (15) på trådspolelocket (16), såsom visas i bild K och ta bort locket genom att dra det rakt bort.
- ◆ Dra ut nylontrådspolen och rensa bort trasig tråd eller klippskräp från spolområdet.
- ◆ Placera spolen och tråden i spollocket med tråden "parkerad" i öppningen såsom visas i bild L1.
- ◆ För in tråden genom lämpligt hål i spohlöjlet. Dra den lösa tråden till den dras ut genom öppningen såsom visas i bild L2.
- ◆ Tryck ned spolen försiktigt och vrid den tills du känner att den droppar på plats och skjut sedan för att snäppa den på plats. (När den är på plats spolen komme ratt vridas fritt några få grader åt vänster eller höger).
- ◆ Se till att tråden inte fastnar under spolen.
- ◆ Rikta in spolens flikar mot spohlöjlet.
- ◆ Snäpp tillbaka spollocket såsom visas i bild M genom att trycka ned flikarna och trycka spolen in i spohlöjlet.

**Notera:** Se till att locket sitter korrekt placerad, lyssna efter två ljudliga klick för att vara säker på att båda flikarna är korrekt placerade. Slå på apparaten. Inom några sekunder eller mindre så hör du att nylontråden klippas av automatiskt till korrekt längd.

**Varning!** För att undvika skador på trimmern klipper du av trimmertråden om den sticker ut längre än skärbladet så att den bara når till bladet.

**Notera:** Övriga ersättningsdelar (skydd, spollock, osv.) finns hos BLACK+DECKER servicecenter. För att hitta ditt lokala servicecenter [www.blackanddecker.com](http://www.blackanddecker.com).

**Varning!** Användning av tillbehör som inte rekommenderas av BLACK+DECKER för användning med den här apparaten kan vara farligt.

## Sätta tillbaka spolen (bild K, L, M, N)

- ◆ Ta bort batteriet från apparaten.
- ◆ Tryck ned flikarna (15) ta bort spollocket (16) från spohlöjlet (bild K).
- ◆ Håll i den tomma spolen med en hand och spohlöjlet med den andra handen och dra ut spolen.
- ◆ Om spaken (18) (bild N) på höljets undersida rubbas ur läge återställer du läget innan du sätter i en ny spole i höjlet.
- ◆ Avlägsna smuts och gräs från spolen och höjlet.
- ◆ Lossa änden på trimmertråden och styr in tråden genom öppningen (L2) bild L.
- ◆ Ta den nya spolen och tryck fast den på höljets mittdel (19) (bild N). Vrid spolen lätt tills den sitter fast. Tråden bör sticka ut ungefär 136 mm från höjlet.
- ◆ Placera flikarna på spollocket i linje med öppningarna i spohlöjlet (bild M).

- ◆ Tryck fast locket på höjlet tills det klickar på plats ordentligt.

## Linda om spolen med bulktråd (bild O, P, Q)

Hoprullad tråd finns också att köpa från dina lokala återförsäljare. Notera: Handlindade spolar från bulktråd har lättare för att trassla ihop sig än fabrikslindade spolar från BLACK+DECKER. För bästa resultat rekommenderar vi fabrikslindade spolar. Följ anvisningarna nedan för att rulla på tråd:

- ◆ Ta bort batteriet från apparaten.
- ◆ Ta loss den tomma spolen från trimmern enligt beskrivningen i "Byta spolen".
- ◆ Ta bort eventuell kvarvarande trimmertråd från spolen.
- ◆ Böj trimmertråden ungefär 2 cm längst ut (20). Mata in trimmertråden i en av linans förankringsöppningar (21) såsom visas i bild O.
- ◆ Sätt in den 2 cm änden av bulktråden i hålet (22) i spolen vid öppningen såsom visas i bild P. Se till att tråden dras rakt emot spolen såsom visas i bild P.
- ◆ Linda trimmertråden på spolen i pilens riktning. Se till att linda på tråden slätt och i lager. Korsa inte (bild Q).
- ◆ När den utdragna trimmertråden når fördjupningarna (23) klipper du av tråden (bild P).
- ◆ Sätt på spolen på trimmern enligt beskrivningen i "Byta spolen".

## Underhåll

Det här BLACK+DECKER-redskapet (med eller utan sladd) är konstruerat för att fungera under lång tid med minsta möjliga underhåll. Med rätt underhåll och regelbunden rengöring behåller verktyget/apparaten sin funktion. Laddaren behöver inget annat underhåll än regelbunden rengöring.

**Varning!** Innan något underhåll utförs på sladdanslutna/sladdlösa elverktyg:

- ◆ Stäng av apparaten/verktyget och dra ur nätkontakten.
- ◆ Du kan också ta ut batteriet ur apparaten/verktyget om apparaten/verktyget har ett separat batteri.
- ◆ Om batteriet är inbyggt låter du det laddas ur helt innan avstängningen.
- ◆ Dra ur sladden till laddaren innan du rengör den. Laddaren behöver inget annat underhåll än regelbunden rengöring.
- ◆ Rengör regelbundet verktyget/apparaten luftintag med en mjuk borste eller torr trasa.
- ◆ Rengör motor kåpan regelbundet med en fuktig trasa. Använd aldrig rengöringsmedel med lösnings- eller slip-medel.
- ◆ Rengör regelbundet trimmertråden och spolen med en mjuk borste eller torr trasa.
- ◆ Ta med jämna mellanrum bort gräs och smuts från skyddets undersida med en slö skrapa.

## Felsökning

Problem	Lösning
Trimmern går långsamt.	<p>Ta bort batteriet från trimmern.</p> <p>Kontrollera att spölhöjlet kan rotera fritt. Rengör det med försiktighet om nödvändigt.</p> <p>Kontrollera att trimmertråden inte sticker ut mer än 122 mm från spolen. Om den gör det, klipp av den så att den precis når trädtrimningsbladet</p>
Om den automatiska trådmataren inte matar träden.	<p>Mer tråd matas när träden kortas till ungefär 76 mm. För att avgöra om träden inte matas, låt träden slitas förbi denna punkt.</p> <p>Håll filkarna nedtryckta och ta bort spollocket med spolen från spölhöjlet i trimmerhuvudet.</p> <p>Se till att träden inte korsas på spolen såsom anges i (bild Q). Om den är det, linda upp träden och linda om den slätt.</p> <p>Inspektera om undersidan av spolen har några skador. Om den är skadad, byt spole.</p> <p>Dra ut trimmertråden tills den sticker ut 122 mm från spolen. Om spolen inte innehåller tillräckligt lång tråd, installera en ny spole trimmertråd.</p> <p>Placera låsspärrarna på spollocket i linje med hälen i höjlet. Tryck fast spollocket på höjlet tills det snäpper på plats ordentligt.</p> <p>Om trimmertråden sticker ut längre än skärbladet klipper du av den så att den bara når till bladet. Om den automatiska trådmataren fortfarande inte fungerar eller spolen sitter fast, prova följande:</p> <p>Rengör spolen och höjlet noggrant.</p> <p>Se till att du använder korrekt trådstorlek och diameter (2,00 mm) - mindre och större storlekar kan påverka funktionen i det automatiska matningssystemet.</p> <p>Avlägsna spolen och kontrollera att spaken i spölhöjlet kan röra sig fritt.</p> <p>Ta loss spolen och linda upp trimmertråden. Linda sedan på den slätt igen. Sätt tillbaka spolen i höjlet.</p>
Övermatning	<p>Se till att du klipper av med spetsen på träden 177 mm från spolen. Använd kantguiden om så behövs så att korrekt avstånd bibehålls.</p> <p>Se till att du inte överstiger en vinkel på 10° såsom visas i (bild G1).</p>
Tråden trasslar ut sig när locket eller spolen är borttagen	<p>Se till att placera träden i fasthållningsöppningarna (bild L1) innan borttagning.</p>

## Skydda miljön



Separat insamling. Produkter och batterier som är markerade med denna symbol får inte kastas in de vanliga hushållssoporna.

Produkter och batterier innehåller material som kan återanvändas eller återvinnas för att minska behovet av råmaterial. Återvinn elektriska produkter och batterier enligt lokala bestämmelser.

## Tekniska data

		ST182320
Spänning	$V_{ac}$	18
Obelastad hastighet	min-1	9000
Vikt	kg	2.05

Batteri		BL2018
Spänning	$V_{ac}$	18
Kapacitet	Ah	2.0
Typ		Li-jon

Laddare		905902** (typ. 1)
Spänning	$V_{ac}$	230
Utspänning	$V_{DC}$	18
Strömstyrka	mA	400

Vibrationsvärdet på hand/arm enligt EN50636-2-91:

$$= < 3.6 \text{ m/s}, \text{ osäkerhet (K) = } 1,5 \text{ m/s}.$$

$L_{\text{A}}$  (ljudtryck) 76 dB(A)

osäkerhet (K) = 2,6 dB(A)

## EG Försäkran om överensstämmelse

MÅSKINDIREKTIVET  
BULLERFÖRESKRIFTER, UTMOMHUS



ST182320 sladdlös trädtrimmer  
Black & Decker deklarerar att dessa produkter, beskrivna under "tekniska data" uppfyller:  
2006/42/EG, EN60335-1:2012 + A11:2014  
EN50636-2-91:2014

2000/14/EG, Grästrimmer,  $L \leq 50$  cm, Anex VI  
DEKRA Certification B.V., Utrechtseweg 310,  
6802 ED Arnhem, Nederländerna  
Anmält organ, id-nr: 0344

Den akustiska effekten enligt 2000/14/EG (Artikel 12, Annex III,  $L \leq 50$  cm):

$L_{\text{max}}$  (uppmätt ljudeffekt) 88 dB(A)  
osäkerhet (K) = 2,6 dB(A)

$L_{\text{p}}$  (garanterad ljudnivå) 96 dB(A)

Dessa produkter överensstämmer också med direktiven 2014/30/EU och 2011/65/EU. Mer information får du genom att kontakta

Black & Decker på följande adress eller titta i slutet av bruksanvisningen.

Undertecknad är ansvarig för sammanställningen av tekniska data och gör denna försäkran för Black & Decker.



R. Laverick  
Director of Engineering  
Black & Decker Europe, 210 Bath Road, Slough,  
Berkshire, SL1 3YD  
Storbritannien  
07/07/2016

### Garanti

Black & Decker är säker på kvaliteten hos denna produkt och erbjuder kunder 24 månaders garanti från inköpsdatumet. Garantin gäller utöver konsumentens rättigheter enligt lag och påverkar inte dessa. Garantin är giltig i de territorier som tillhör medlemsstaterna i Europeiska unionen och det europeiska frihandelsområdet. För yrkande under garantin måste yrkandet vara i enlighet med Black&Deckers villkor och du kommer att behöva skicka in bevis på köpet till försäljaren eller en auktoriserad reparatör.

Villkoren för Black&Deckers tvååriga garanti och var du hittar din närmaste auktoriserade reparatör kan erhållas på internet på [www.2helpU.com](http://www.2helpU.com), eller genom att kontakta ditt lokala Black & Decker kontor på adressen som angetts i denna bruksanvisning.

Besök vår webbplats [www.blackanddecker.se](http://www.blackanddecker.se) för att registrera din nya Black & Decker-produkt samt för att få information om nya produkter och specialerbjudanden.

### Tiltenkt bruk

BLACK+DECKER ST182320 trimmeren er konstruert for å trimme og pynte plenkanter og slå gress på trange steder. Apparatet er beregnet bare for privat bruk.

## Sikkerhetsinstruksjoner

**Advarsel!** Når du bruker apparater som drives med strøm fra nettet, må grunnleggende sikkerhetsforholdsregler, inkludert punktene som er beskrevet under, alltid følges for å redusere risikoen for brann, elektrisk støt, personskade og skade på materiell.

**Advarsel!** Når du bruker maskinen, må du følge sikkerhetsreglene. Les disse instruksjonene før du bruker maskinen, for å ivareta sikkerheten for deg selv og personer i nærheten. Ta vare på instruksjonene for senere bruk.

- ◆ Les hele denne håndboken nøye før du bruker apparatet.
- ◆ Beregnet bruk er beskrevet i denne bruksanvisningen. Hvis du bruker annet tilbehør, kobler til annet utstyr eller bruker dette apparatet til andre oppgaver enn det som er anbefalt i denne håndboken, kan det føre til fare for personskade.
- ◆ a vare på denne håndboken for fremtidig bruk.

## Bruke produktet

Vær alltid forsiktig når du bruker apparatet.

- ◆ Bruk alltid vernebriller.
- ◆ La aldri barn eller personer med reduserte fysiske, sensoriske eller mentale ferdigheter eller med manglende erfaring eller kunnskap, eller personer som ikke kjenner bruksanvisningen bruke denne maskinen. Lokale lover og

regler kan gi begrensninger for brukerens alder.

- ◆ Ikke bruk maskinen hvis det er personer, spesielt barn, eller dyr i nærheten.
- ◆ Pass på at barn og dyr ikke kommer i nærheten av arbeidsområdet, og at de ikke berører apparatet.
- ◆ Pass ekstra godt på når apparatet brukes i nærheten av barn.
- ◆ Det er ikke meningen at denne maskinen skal brukes av unge eller svake-lige personer uten tilsyn.
- ◆ Dette verktøyet skal ikke brukes som leketøy.
- ◆ Bruk apparatet bare i dagslys eller godt kunstig lys.
- ◆ Skal bare brukes på tørre steder. Ikke la apparatet bli vått.
- ◆ Unngå å bruke apparatet i dårlig vær, spesielt dersom det er fare for lyn og torden.
- ◆ Ikke senk apparatet ned i vann.
- ◆ Ikke åpne huset til verktøyet. Det er ingen deler inni som brukere skal håndtere.
- ◆ Ikke arbeid med produktet i eksplosjonsfarlige omgivelser, som for eksempel der det befinner seg brennbare væsker, gass eller støv.
- ◆ Apparatet må bare brukes med strømforsyningsenheten som fulgte med apparatet.

## Andre risikoer

Når verktøyet brukes, kan det oppstå ytterligere risikoer som kanskje ikke er beskrevet i de medfølgende sikkerhetsadvarslene.

Disse risikoene kan bli forårsaket av feil bruk, langvarig bruk osv.

Selv om de relevante sikkerhetsbestemmelsene blir fulgt, og sikkerhetstiltakene blir gjennomført, kan visse gjenværende risikoer ikke unngås. Disse inkluderer:

- ◆ Personskader som forårsakes av berøring av en roterende/bevegelig del.
- ◆ Personskader som forårsakes av at en del, et blad eller tilbehør endres.
- ◆ Personskader som skyldes for lang tids bruk av verktøyet. Når du bruker et verktøy i lange perioder, må du sørge for å ta regelmessige pauser.
- ◆ Hørselskader.
- ◆ Helsefarer som forårsakes av innånding av støv som dannes når du bruker verktøyet (eksempel: arbeid med tre, spesielt eik, bøk og MDF.)

## Etter bruk

- ◆ Når produktet ikke er i bruk, skal det oppbevares på et tørt og godt ventilert sted utilgjengelig for barn.
- ◆ Barn skal ikke ha tilgang til apparater som oppbevares.
- ◆ Når apparatet oppbevares eller transporteres i et kjøretøy, bør det plasseres i bagasjerommet eller festes, slik at det ikke beveger seg når kjøretøyet brått endrer hastighet eller retning.

## Kontroll og reparasjon

- ◆ Kontroller at produktet ikke er skadet eller har defekte deler før du bruker det. Kontroller om noen av delene er skadet, eller om det er andre forhold som kan påvirke bruken.
- ◆ Ikke bruk produktet hvis noen del er skadet eller defekt.



- ◆ Overlat reparasjon eller utskifting av skadde eller defekte deler til et autorisert serviceverksted.
- ◆ Forsøk aldri å fjerne eller skifte ut andre deler enn dem som er oppgitt i denne håndboken.

## Andre persons sikkerhet

- ◆ Dette apparatet kan brukes av barn på 8 år eller mer og personer som har reduserte fysiske, sansemessige eller mentale evner, eller som mangler erfaring og kunnskap, hvis de har tilsyn eller har fått veiledning i bruk av apparatet på en trygg måte og forstår farene som foreligger. Barn skal ikke leke med apparatet. Rengjøring og brukervedlikehold skal ikke utføres av barn uten tilsyn.
- ◆ Barn skal være under oppsyn så du er sikker på at de ikke leker med produktet.

## Vibrasjon

Vibrasjonsemissjonsverdien som er angitt under tekniske data og samsvarserklæring, er blitt målt i henhold til en standard testmetode som er angitt i EN50636, og kan brukes til å sammenligne et verktøy med et annet. Den oppgitte vibrasjonsemissjonsverdien kan også brukes til en foreløpig vurdering av eksponering.

**Advarsel!** Vibrasjonsemissjonsverdien under faktisk bruk av elektroverktøyet kan avvike fra den oppgitte verdien avhengig av måten verktøyet blir brukt på. Vibrasjonsnivået kan øke over nivået som er oppgitt.

Når man vurderer vibrasjonseksponering for å bestemme sikkerhetstiltak som kreves i 2002/44/EF, for å beskytte personer som bruker elektroverktøy regelmessig i arbeidet, skal man når man anslår vibrasjonseksponeringen, ta hensyn til de faktiske bruksforholdene og måten verktøyet blir brukt på, inkludert hensyn til alle deler av brukssyklusen – også de gangene verktøyet slås av, og når det går på tomgang, i tillegg til tiden utløseren er inne.

## Ytterligere sikkerhetsinstruksjoner gresstrimmere

**Advarsel!** Skjæreelementene vil fortsette å rotere etter at motoren er slått av.

- ◆ Gjør deg kjent med betjeningen og riktig bruk av produktet.
- ◆ Ta alltid batteriet ut av apparatet når apparatet er uten tilsyn, før rengjøring og vedlikehold, etter å ha slått mot et fremmedlegeme eller dersom apparatet begynner å vibrere unormalt.
- ◆ Bruk solide sko eller støvler for å beskytte føttene.
- ◆ Bruk lange bukser for å beskytte bena.
- ◆ Før du bruker verktøyet, må du kontrollere at det ikke er pinner, steiner, tråd eller andre gjenstander i skjærebanelen.
- ◆ Bruk apparatet bare i opprett stilling med skjærelinjen nær bakken. Ikke slå verktøyet på i noen annen stilling.
- ◆ Beveg deg sakte når du bruker verktøyet. Husk at nyklipt gress er vått og glatt.
- ◆ Ikke arbeid i bratte skråninger. Arbeid på langs av skråninger, ikke opp og ned.

- ◆ Kryss aldri stier med grus mens verktøyet går.
- ◆ Berør aldri skjæretråden mens verktøyet er i gang.
- ◆ Ikke sett verktøyet ned før skjæretråden har stanset helt.
- ◆ Bruk bare riktig type skjæretråd. Bruk aldri skjæretråd av metall eller fiskesnøre.
- ◆ Pass på at du ikke berører trådtrimmebladet.
- ◆ Hold alltid hender og føtter borte fra skjæretråden, særlig når du slår på motoren.
- ◆ Før du bruker verktøyet, og etter et støt, må du undersøke om det er tegn på slitasje eller skade og få verktøyet reparert etter behov.
- ◆ Bruk aldri verktøyet med skadet vern eller uten vern på plass.
- ◆ Vær varsom så du unngår personskade på grunn av utstyr som er montert for å trimme lengden på filamenttråden. Når ny skjæretråd er matet ut, må du alltid sette verktøyet tilbake i normal bruksstilling før du slår det på.
- ◆ Pass alltid på at ventilasjonsåpningene er fri for rusk.

- ◆ Bruk bare laderen som følger med verktøyet.
- ◆ Følg instruksjonene i avsnittet "Miljøvern" når du skal kaste batterier.

## Ladere

- ◆ Bruk bare BLACK+DECKER-laderen til å lade batteriet i apparatet som laderen ble levert sammen med. Andre batterier kan sprekke og føre til personskaade og materiell skade.
- ◆ Prøv aldri å lade ikke-oppladbare batterier.
- ◆ Skift ut defekte ledninger umiddelbart.
- ◆ Ikke utsett laderen for vann.
- ◆ Ikke åpne laderen.
- ◆ Ikke stikk gjenstander eller fingre inn i laderen.



Laderen er bare beregnet for innendørs bruk.



Les denne håndboken før bruk.

## Elektrisk sikkerhet



Denne laderen er dobbeltisolert. Jording er derfor ikke nødvendig. Kontroller alltid at nettspenningen er i overensstemmelse med spenningen på typeskiltet. Ikke skift ut laderen med et vanlig nettstøpsel.

- ◆ Hvis strømledningen blir skadet, må den byttes av produsenten eller et autorisert BLACK+DECKER-service-senter for å unngå fare.

## Ytterligere sikkerhetsinstruksjoner for batterier og ladere

### Batterier

- ◆ Forsøk aldri å åpne av noen årsak.
- ◆ Ikke utsett batteriet for vann.
- ◆ Ikke oppbevar det på steder hvor temperaturen kan komme over 40 °C.
- ◆ Lad bare ved temperaturer mellom 10°C og 40 °C.

## Produktmerking

Følgende advarselssymboler vises på verktøyet sammen med datokoden:



Les håndboken før bruk.



Benytt vernebriller når du bruker dette produktet.



Benytt passende hørselsvern når du bruker dette produktet.



Ta alltid ut batteriet av apparatet før du foretar rengjøring eller vedlikehold.



Se opp for gjenstander som kastes rundt. Hold



personer i nærheten borte fra klippeområdet.



Ikke utsett maskinen for regn eller høy fuktighet.



Garantert lydeffekt i henhold til direktiv 2000/14/EF.

## Funksjoner

Dette apparatet har noen av eller alle funksjonene nedenfor.

1. Utløser
2. Låsebryter
3. Håndtak
4. Ekstrahåndtak
5. Høydejusteringshylse
6. Trimmerhode
7. Kantskinne
8. Beskyttelse
9. Spolehus
10. Batteri

## Lading av batteriet (Fig. A)

Batteriet må lades før første gang det brukes, og hver gang det ikke lenger gir nok strøm til oppgaver som tidligere ble utført uten problemer.

Batteriet kan bli varmt under lading. Dette er normalt og innebærer ikke feil.

**Advarsel!** Ikke lad batteriet ved omgivelsestemperaturer under 10 °C eller over 40 °C. Anbefalt ladetemperatur er ca. 24 °C.

**Merk:** Laderen vil ikke lade et batteri hvis celledemperaturen er under ca. 10 °C eller over 40 °C.

Du bør la batteriet stå i laderen. Laderen begynner å lade automatisk når celledemperaturen blir høyere eller lavere.

- ◆ Plugg inn laderen i en passende stikkontakt før du setter inn batteripakken.
- ◆ Sett batteripakken inn i laderen.



Det grønne LED-lyset blinker for å varsle om at batteriet lades.



Fullført lading vises ved at den grønne LED-en er på. Pakken er da fullt oppladet og kan brukes, eller den kan bli stående i laderen.

**Advarsel!** Lad opp utladete batterier så fort som mulig etter bruk, ellers vil batteriets levetid forringes.

## Laderdiagnose

Denne laderen er designet for å oppdage visse problemer som kan oppstå med batteripakken eller strømkilden. Problemer indikeres av et LED-lys som blinker i ulike mønstre.

## Dårlig batteri



Laderen kan oppdage et svakt eller ødelagt batteri. LED-lyset blinker i mønsteret som er indikert på merkelappen. Hvis du ser dette blinkemønsteret for dårlig batteri, skal du ikke fortsette å lade batteriet. Returner det til et servicesenter eller et oppsamlingssted for resirkulering.

## Ventetid for varm/kald pakke



Dersom laderen detekterer et batteri som er for varmt eller for kaldt, vil den automatisk starte en "varm/kald pakke forsinkelse", og venter med å lade til batteriet har passende temperatur. Etter at dette har skjedd vil laderen automatisk skifte til pakkelademodus. Denne funksjonen sikrer maksimal levetid på batteriet. Det røde LED-lyset blinker i mønsteret indikert på merkelappen når varm/kald pakkeforsinkelse er oppdaget.

## La batteriet være i laderen

Laderen og batteripakken kan forbli tilkoblet med lysende LED-lys i ubegrenset tid. Laderen holder batteripakken klar og fulladet.

## Viktige merknader om lading

- ◆ Lang levetid og best ytelse oppnås dersom batteripakken lades med lufttemperatur mellom 65°F og 75°F (18°-24°C). KKE lade batteripakken med lufttemperatur under +40°F (+4,5°C) eller over +105°F (+40,5°C). Dette er viktig og vil forhindre alvorlig skade på batteripakken.
  - ◆ Laderen og batteripakken kan være varme å ta på under lading. Dette er normalt og er ikke et tegn på et problem. For å muliggjøre bedre kjøling av batteripakken etter bruk, unngå å oppbevare laderen i varme omgivelser slik som et metallskur eller en uisolert trailer
  - ◆ Hvis batteripakken ikke lader skikkelig:
    - ◆ Kontroller strømmen i kontakten ved å sette inn en lampe eller et annet apparat
    - ◆ Kontroller at stikkkontakten er koblet til en lysbryter som slår av strømmen når du slår av lyset.
    - ◆ Flytt laderen og batteripakken til et sted hvor omgivelsestemperaturen er omtrent 65°F - 75°F (18°-24°C).
    - ◆ Hvis ladeproblemene vedvarer, ta verktøyet, batteripakken og laderen til ditt lokale servicesenter.
  - ◆ Denne batteripakken med lang levetid må lades opp når den slutter å gi nok strøm til jobber som ble utført lett tidligere. I så fall, IKKE fortsatt å bruke verktøyet. Følg ladeprosedyren. Du kan også lade opp en halvtladd pakke når som helst uten at det har noen effekt på batteripakken.
  - ◆ Fremmedlegemer som kan lede strøm, inkludert ,men ikke begrenset til stålull, aluminiumsfolie eller annen ansamling av metalliske partikler, må holdes unna åpningene i laderen. Kople alltid laderen fra strømtilførselen når det ikke er en batteripakke i hulrommet. Kople fra laderen før rengjøring.
  - ◆ Ikke sprut på eller senke ned i vann eller andre væsker.
- Advarsel!** Fare for støt. Ikke la væske komme inn i laderen. Forsøk aldri å åpne batteripakken av noen årsak. Dersom plasthuset på batteripakken knekker eller får sprekker, send den til et servicesenter for avhending.

## Sette inn og ta av batteripakke på apparatet

**Advarsel!** Pass på at låseknappen er i bruk for å hindre utilsiktet aktivering av bryteren før du tar ut eller setter inn et batteri.

## Installere batteripakken

Sett batteriet (10) inn i apparatet til du hører et klikk når det går i lås (figur B). Pass på at batteripakken sitter godt og er låst på plass.

## Ta ut batteripakken

Trykk på batteriutløserknappen (11) som vist på figur C og dra batteripakken ut av verktøyet.

## Montering

**Advarsel!** Før monteringen må du passe på at apparatet er slått av, og at batteriet er tatt ut.

**Nødvendige verktøy for montering (ikke del av leveransen):**

Phillips-skrutrekker.

## Sette på beskyttelsen (Fig. D, E)

**Advarsel!** Ta batteriet ut av apparatet før du setter på beskyttelsen, kantstyringen eller håndtaket. Bruk aldri apparatet uten at beskyttelsen er på plass. Beskyttelsen skal alltid være montert på apparatet for å beskytte brukeren.

- ◆ Fjern skruen fra vernet.
- ◆ Snu trimmeren opp-ned, slik at du ser ned på spolehetten (16).
- ◆ Snu beskyttelsen (8) opp-ned, og skyv det helt inn på motorhuset (12). Pass på at knastene (13) på beskyttelsen går inn i hullene (14) på motorhuset som vist i figur D.
- ◆ Fortsett å skyve beskyttelsen til du hører at det festes på plass med et klikk.
- ◆ Bruk en phillips-skrutrekker til å skru fast skruen på vernet som vist i figur E for å fullføre monteringen av beskyttelsen.
- ◆ Når beskyttelsen er montert, kan du fjerne dekslet fra trådkuttebladet, som er plassert på kanten av vernet.

**Advarsel!** Bruk aldri apparatet uten riktig montert beskyttelse.

## Høydejustering (Fig. F, G–G3)

**Advarsel!** Juster lengden av trimmeren for å få korrekt arbeidsposisjon som vist på figurene G - G3.

- ◆ Total høyde av trimmeren kan justeres ved å løsne på høydejusteringshylsen (5) og rotere den i retning som vist med pilen i figur F.
- ◆ Beveg overdelen på huset rett opp eller ned. Når du har ønsket høyde, stram til hylsen ved å rotere den i motsatt retning, som vist på figur F.

## Løsne skjæretråden

Under transport er skjæretråden festet til spolehuset med tape.

- ◆ Fjern tapen som fester skjæretråden til spolehuset .

## Bruk

**Advarsel!** Bruk alltid vernebriller.

**Advarsel!** Før du starter trimmingen, må du passe på at du bare bruker riktig type skjæretråd.

**Merk:** Inspiser området som skal trimmes og fjern tråder, tau, ledninger og lignende objekter som kan vikle seg inn i tråden eller spolen. Vær spesielt forsiktig for å unngå tråder som kan endes utover i maskinens bane, så som løse metalltråder nederst på nettinggjerdet.

## Slå av og på

- ◆ For å slå på maskinen, skyv på låseknappen (2) og trykk inn avtrekkeren (1).
- ◆ For å slå av maskinen, slipp avtrekkeren.

## Bruke trimmeren (Fig. F, G–G3)

- ◆ Slå på enheten, finn en god vinkel og sving trimmeren fra side til side som vist i figur I.
- ◆ Oppretthold en skjærevinkel på 5° til 10° som vist i figur G1. Vinkelen må ikke overskride 10° (figur G2). Skjær med tuppen av tråden. Bruk kantskinnen (7) til å holde avstand fra harde overflater.

- ◆ Oppretthold en minimumsavstand på 60 cm mellom beskyttelsen og føttene dine, som vist i figur G3. For å oppnå denne avstanden må du justere den generelle høyden på trimmeren, som vist i figur F.

### Skifte til kant-modus (Fig. H, I)

**Advarsel!** Når apparatet brukes som en kantklipper, kan steiner, metallbiter og andre objekter kastes ut i høy hastighet av tråden. Trimmeren og vernet er utformet for å redusere faren. Du må imidlertid **FORSIKRE DEG OM** at andre personer og kjæledyr er minst 30 meter unna. Du oppnår best mulig resultat på kanter som er dypere enn 50 mm.

- ◆ Fjern batteriet fra trimmeren.
- ◆ For bruk som vedlikeholds-kantklipper, vri hylsen (5) som vist i del 1 av figur H.
- ◆ Hold metallskafet og roter nedre del av huset 180° som vist i del 2.
- ◆ Vri hylsen til den er stram.
- ◆ Løft kantstyringen (7) til kantposisjon som vist på figur I.
- ◆ Plasser trimmeren over flaten som vist på figur J.
- ◆ Skift tilbake til trimmeposisjon ved å løse låsehylsen og rotere nedre del av huset tilbake 180°. Vri hylsen til den er stram.

### Nyttige klippe-tips

- ◆ Bruk tuppen av tråden for å klippe, ikke bruk makt for å presse klippehodet inn i gresset. Bruk kantstyringen langs gjerder, husvegger og blomsterbed for best resultat.
- ◆ Nettinggjerder og stakitter kan føre til kraftig slitasje på tråden eller til at den ryker. Mur- og teglvegger, fortauskanter og trær kan raskt slite ut tråden.
- ◆ Ikke la spolehetten slepe langs bakken eller andre overflater.
- ◆ Ved langt gress, kutt fra toppen og ned og ikke klipp ved høyder over 300 mm.
- ◆ Hold trimmeren vippet mot området som klipper, dette er beste klippeområde.
- ◆ Trimmeren klipper ved at du fører enheten fra høyre til venstre. Dette vil hindre at gress kastes mot brukeren.
- ◆ Unngå trær og busker. Bark, trestolper, kanter og gjerdestolper kan bli skadet av tråden.

### Skjæretråd / trådmating

Trimmeren bruker tråd med diameter 1,65 mm, rund nylontråd. Ved bruk vil tuppen av nylontråden flises opp og den selvmatende spolen vil automatisk mate frem og trimme en ny lengde av tråd. Skjæretråden slites fortene og trenger påfyll hvis du klipper langs fortau eller andre slipende overflater eller kutter kraftig ugress.

Mekanismen for automatisk fremføring av tråden registrer når det trengs ny tråd, og mater frem og trimmer av korrekt lengde av tråd når det trengs. Ikke slå enheten mot bakken for å forsøke å mate frem tråd eller av noen annen grunn.

### Fjerne forklinger og sammenviklet tråd (Fig. K, L, M)

**Advarsel!** Ta ut batteriet av trimmeren før du foretar montering, justeringer eller skifter tilbehør. Disse forebyggende sikkerhetsiltakene reduserer risikoen for utilsikket start av apparatet. Fra tid til annen, spesielt dersom du klipper i tykt gress eller kraftig ugress, kan navet på trådmatingen kile seg fast på

grunn av seveje eller andre stoffer, det vil også kile fast tråden. For å fjerne forklingen, følg trinnene nedenfor.

- ◆ Fjern batteriet fra trimmeren.
- ◆ Trykk inn låseknastene (15) på trådmatingsnavet (16) som vist på figur K og ta av hetten ved å trekke den rett av.
- ◆ Trekk ut spolen med nylontråd og fjern avslitt tråd eller avfall og smuss fra spoleområdet.
- ◆ Sett spolen og tråden i spolehetten med tråden "parkert" i sporene som vist på figur L1.
- ◆ Sett enden av tråden inn i passende hull i spolehuset. Trekk den slakke tråden gjennom til den kommer ut av festesporene som vist på figur L2.
- ◆ Trykk ned spolen forsiktig og vri den til du føler at den faller på plass, og trykk for å låse den på plass. (Når den er på plass kan spolen vris fritt noen få grader til høyre eller venstre).
- ◆ Pass på å holde tråden fra å bli låst fast under spolen.
- ◆ Rett inn spolehettens knaster med sporene i spolehuset.
- ◆ Klikk på plass spolehetten som vist på figur M ved å trykke inn knastene og presse inn i spolehuset.

**Merk:** Pas på at dekselet er hekt på plass, du skal høre to klikk når de to knastene går i lås. Slå på apparatet. Etter noen sekunder vil du høre at nylontråden automatisk kappes til korrekt lengde.

**Advarsel!** For å unngå skader, hvis skjæretråden rekker lenger enn trimmebladet, kapp den av så den nøyaktig når bladet.

**Merk:** Andre reservedeler (beskyttelse, spolehetter osv.) er tilgjengelige via BLACK+DECKER-servicesentre. Se på [www.blackanddecker.com](http://www.blackanddecker.com) for å finne ditt lokale servicesenter.

**Advarsel!** Det kan være farlig å bruke tilbehør som ikke er anbefalt av BLACK+DECKER for bruk sammen med denne trimmeren.

### Utskifting av spolen (Fig. K, L, M, N)

- ◆ Fjern batteriet fra trimmeren.
- ◆ Trykk ned klaffene (15), og ta av spolehetten (16) fra spolehuset (17) i trimmerhodet (figur K).
- ◆ Grip tak i den tomme spolen med den ene hånden og spolehuset med den andre, og dra ut spolen.
- ◆ Hvis hendelen (18) (figur N) nederst i huset kommer ut av stilling, må du sette den tilbake før du setter inn den nye spolen i huset.
- ◆ Fjern eventuelt smuss og gress fra spolen og huset.
- ◆ Løsne enden av skjæretråden, og før tråden inn i hullet (19) (figur L).
- ◆ Trykk den nye spolen inn på tappen (19) (figur N) i huset. Drei litt på spolen til den sitter på plass. Tråden skal stikke ut omtrent 136 mm fra huset.
- ◆ Plasser tappene på spolehetten i forhold til sporene i huset (figur M).
- ◆ Skyv hetten inn på huset til den klikker på plass.

### Fylle spolen med løs tråd (Fig. O, P, Q)

Løs tråd kan også kjøpes fra din lokale forhandler. Merk: Spoler som er kveilet opp manuelt fra en lås tråd, har en større sannsynlighet for å vikle seg fast, enn spoler som er kveilet opp på BLACK+DECKER-fabriken. Spoler kveilet opp på fabriken anbefales for best resultat. Følg fremgangsmåten nedenfor for å installere løs tråd:

- ◆ Fjern batteriet fra trimmeren.
- ◆ Ta ut den tomme spolen fra trimmeren som beskrevet i "Utskifting av spolen."
- ◆ Fjern eventuell gjenværende skjæretråd fra spolen.
- ◆ Bøy enden av skjæretråden omtrent 19 mm fra enden (20). Før skjæretråden inn i et av feste hullene (21) som vist i figur O.
- ◆ Sett inn enden på 19 mm av den løse tråden i hullet (22) i spolen ved siden av sporet som vist på figur P. Pass på at tråden trekkes stramt mot spolen som vist i figur P.
- ◆ Snurr skjæretråden på spolen i pilens retning på spolen. Pass på å snurre på tråden ordentlig og i lag. Ikke kryss den (figur Q).
- ◆ Når skjæretråden som er snurret på, når fordypningene (23), kutter du tråden (figur P).
- ◆ Sett spolen på trimmeren som beskrevet i "Utskifting av spolen".

### Vedlikehold

BLACK+DECKER-apparatet/-verktøyet med ledning/batteri er laget for å brukes over lang tid med et minimum av vedlikehold. Verktøyet/apparatet er avhengig av riktig stell og regelmessig rengjøring for å fungere som det skal til enhver tid.

Laderen krever ikke annet vedlikehold enn regelmessig rengjøring.

**Advarsel!** Før du utfører vedlikehold på elektrisk drevet/batteridrevet elektroverktøy:

- ◆ Slå av apparatet/verktøyet og trekk ut støpselet.
- ◆ Eller slå av apparatet/verktøyet og fjern batteriet fra dette hvis apparatet/verktøyet har separat batteripakke.
- ◆ Eller la batteriet gå helt tomt hvis det er innebygd, og slå deretter av.
- ◆ Trekk ut laderen fra stikkkontakten før du rengjør den. Laderen krever ikke annet vedlikehold enn regelmessig rengjøring.
- ◆ Rengjør ventilasjonsåpningene i verktøy/apparat og lader jevnlig med en myk børste eller tørr klut.
- ◆ Rengjør motorhuset regelmessig med en fuktig klut. Ikke bruk slipende eller løsemiddelbaserte rengjøringsmidler.
- ◆ Rengjør skjæretråden og spolehuset regelmessig med en myk børste eller en tørr klut.
- ◆ Bruk et butt skraperedskap regelmessig for å fjerne gress og jord fra undersiden av vernet.

### Feilsøking

Problem	Løsning
Verktøyet går langsomt.	Fjern batteriet fra trimmeren.  Kontroller at spolehuset kan dreies fritt. Rengjør det omhyggelig etter behov.  Kontroller at skjæretråden ikke stikker ut mer enn omtrent 122 mm fra spolehuset. Hvis den gjør det, kutter du den av slik at den akkurat når trimmebladet for tråden

Problem	Løsning
<b>Automatisk mating av tråd virker ikke.</b>	Mer tråd mates frem når tråden kortes ned til omtrent 76 mm. For å se om tråden mates eller ikke, avkort tråden forbi denne verdien.  Hold knastene inntrykket og ta av spolehetten med spolen fra spolehuset i trimmerhodet.  Forsikre deg om at tråden ikke er krysset på spolen som vist (fig. Q). Dersom skjæretråden er det, vikle den ut og vikle den nøyaktig på igjen.  Inspiser sporene nederst på spolen for å se om det er skader. Dersom det er skader, må spolen skiftes ut.  Trekk i skjæretråden til den stikker ut 122 mm fra spolen. Hvis det ikke er nok tråd igjen på spolen, monterer du en ny spole med skjæretråd. Plasser tappene på spoledekslet mot hullene i huset. Skyv spolehetten inn på huset til den klikker på plass. Hvis skjæretråden rekker lenger enn trimmebladet, kutter du den av, så den når bladet akkurat. Hvis den automatiske matingen av tråd fremdeles ikke virker, eller hvis spolen sitter fast, kan du prøve følgende forslag: Rengjør spolen og spolehuset godt. Pass på at du bruker tråd av korrekt diameter (2,00 mm) - større eller mindre tråddiameter vil påvirke funksjonen av systemet for automatisk fremføring. Ta ut spolen, og kontroller at hendelen i spolehuset kan bevege seg fritt. Ta ut spolen, og null ut skjæretråden. Snurr den på ordentlig igjen. Sett spolen inn i huset igjen.
<b>For mye fremmating</b>	Pass på at du klipper med tuppen av tråden 177 mm fra spolen. Bruk kanistyringen dersom den trengs for å holde korrekt avstand. Pass på at du ikke overstiger 10° vinkel som vist på figur G1.
<b>Tråden vikles ut når hetten eller spolen tas av</b>	Pass på at tråden er på plass i festesporene (fig. L1) før du tar av.

### Miljøvern



Separat avfallshåndtering. Produkter og batterier merket med dette symbolet skal ikke kastes i vanlig husholdningsavfall.

Produkter og batterier inneholder materialer som kan gjenbrukes eller gjenvinnes for å redusere behovet for nye råmaterialer. Vennligst lever elektrisk utstyr og batterier til gjenbruk i henhold til lokale regler.

### Tekniske data

		ST182320
Inngangsspenning	V <sub>ac</sub>	18
Hastighet uten belastning	min <sup>1</sup>	9000
Vekt	kg	2.05

Batteri		BL2018
Spenning	V <sub>oc</sub>	18
Kapasitet	Ah	2.0
Type		Li-Ion

Undertegnede er ansvarlig for utarbeidelsen av den tekniske dokumentasjonen og gir denne erklæringen på vegne av Black & Decker.



R. Laverick  
Director of Engineering  
Black & Decker Europe, 210 Bath Road, Slough,  
Berkshire, SL1 3YD  
Storbritannia  
15/11/2016

Lader		905902** (type 1)
Inngangsspenning	V <sub>ac</sub>	230
Utgangsspenning	V <sub>oc</sub>	18
Strøm	mA	400

Vektet vibrasjonsverdi for hånd/arm i samsvar med EN50636-2-91:

= < 3.6 m/s; usikkerhet (K) = 1,5 m/s.

L<sub>w</sub> (lydtrykk) 76 dB(A)

usikkerhet (K) = 2,6 dB(A)

## EU-samsvarserklæring

MASKINERIDIREKTIV  
DIREKTIV FOR UTENDØRSSTØY



ST182320 batteridrevet trådtrimmer

Black & Decker erklærer at disse produktene, som er beskrevet under "Tekniske data", er i samsvar med: 2006/42/EC, EN60335-1:2012 + A11:2014 EN50636-2-91:2014

2000/14/EC, plentrimmer, L ≤ 50 cm, vedlegg VI  
DEKRA Certification B.V., Utrechtseweg 310,  
6802 ED Arnhem, Nederland  
ID-nummer for varslet organ: 0344

Nivået for akustisk effekt er i samsvar med 2000/14/EU (artikkel 12, vedlegg III, L ≤ 50 cm):

L<sub>w</sub> (målt lydeffekt) 88 dB(A)

usikkerhet (K) = 2,6 dB(A)

L<sub>w</sub> (garantert lydeffekt) 96 dB(A)

Disse produktene er også i samsvar med direktiv 2014/30/EU og 2011/65/EU. Hvis du ønsker mer informasjon, kan du kontakte Black & Decker på adressen nedenfor eller se baksiden av bruksanvisningen.

## Garanti

Black & Decker er trygg på kvaliteten av produktene sine og tilbyr en 24 måneders garanti fra kjøpsdato. Denne garanti-erklæringen kommer i tillegg til dine lovbestemte rettigheter og er ikke i konflikt med disse. Garantien er gyldig innen områdene tilhørende medlemslandene i den Europeiske Union (EU) og det Europeiske Frihandelsområdet (EFTA). For å ta garantien i bruk må kravet være i samsvar med kjøpsbetingelsene fra Black&Decker og du må vise kjøpskvittering til forhandleren eller til et autorisert serviceverksted.

Betingelsene for Black&Deckers 2 års garanti og adressen til din nærmeste autoriserte serviceverksted kan du finne på internett under [www.2helpU.com](http://www.2helpU.com), eller ved å kontakte ditt lokale Black & Decker kontor, adressen er angitt i denne bruksanvisningen.

Besøk våre nettsider på [www.blackanddecker.no](http://www.blackanddecker.no) for å registrere ditt nye Black & Decker-produkt og for å få informasjon om nye produkter og spesialtilbud.

**Tilsigtet brug**

Din BLACK+DECKER ST182320 trimmer er beregnet til klipning af plænekanter og græsslåning på trange steder. Dette apparat er kun beregnet til privat brug.

**Sikkerhedsinstruktioner**

**Advarsel!** Ved brug af apparater, der strømforsynes fra forsyningsnettet, er det vigtigt, at grundlæggende sikkerhedsforholdsregler, herunder bl.a. nedenstående, altid følges for at mindske risikoen for brand, elektrisk stød, personskade og tingskade.

**Advarsel!** Sikkerhedsreglerne skal følges ved brug af maskinen. Læs denne vejledning, før du bruger maskinen, af hensyn til din egen og omkringståendes sikkerhed. Gem vejledningen til senere brug.

- ♦ Læs hele vejledningen omhyggeligt, før du bruger apparatet.
- ♦ Den tilsigtede anvendelse er beskrevet i denne vejledning. Brugen af ekstraudstyr eller tilbehør eller udførelse af andet arbejde med dette apparat end det, der anbefales i denne vejledning, kan udgøre en risiko for personskade.
- ♦ Opbevar denne vejledning til senere brug.

**Brug af apparatet**

Vær altid opmærksom ved brugen af apparatet.

- ♦ Bær altid sikkerhedsbriller eller beskyttelsesbriller.

- ♦ Lad aldrig børn, personer med nedsatte fysiske, sensoriske eller mentale evner eller manglende erfaring og viden, eller folk der ikke kender disse instruktioner bruge maskinen, lokale regler kan begrænse operatørens alder.
- ♦ Brug aldrig maskinen, mens der er andre i nærheden, især børn eller kæledyr.
- ♦ Lad ikke børn eller dyr komme i nærheden af arbejdsområdet eller røre ved apparatet.
- ♦ Vær meget opmærksom, når apparatet benyttes i nærheden af børn.
- ♦ Dette apparat må ikke bruges af børn eller svagelige personer uden opsyn.
- ♦ Apparatet må ikke bruges som legetøj.
- ♦ Brug kun apparatet i dagslys eller ved god kunstig belysning.
- ♦ Apparatet må kun bruges på tørre steder. Lad ikke apparatet blive vådt.
- ♦ Undgå at bruge apparatet under dårlige vejrforhold, især når der er risiko for lynnedslag.
- ♦ Apparatet må ikke nedsænkes i vand.
- ♦ Kabinettet må ikke åbnes. Der er ingen dele inde i kabinettet, som kan serviceres af brugeren.
- ♦ Brug ikke apparatet i eksplosive omgivelser, f.eks. hvor der er brændbare væsker, gasser eller støv.
- ♦ Apparatet må kun bruges med den medfølgende strømforsyningsenhed.



## Restrisici

Der kan opstå yderligere restrisici under brugen af værktøjet, som ikke kan medtages i vedlagte sikkerhedsadvarsler. Disse risici kan opstå pga. forkert anvendelse, langvarig brug etc. Selv ved overholdelse af relevante sikkerhedsforskrifter og anvendelse af sikkerhedsudstyr kan visse restrisici ikke undgås. Disse omfatter:

- ◆ Tilskadekomst forårsaget af berøring af roterende/bevægelige dele.
- ◆ Tilskadekomst forårsaget af udskiftning af dele, klinger eller tilbehør.
- ◆ Tilskadekomst forårsaget af langvarig brug af et værktøj. Husk at holde pause jævnligt ved brug af et værktøj i længere tid.
- ◆ Hørenedsættelse.
- ◆ Sundhedsrisici forårsaget af indånding af støv, der genereres ved brug af værktøjet (eksempel: Arbejde med træ, især, eg, bøg og MDF.)

## Efter brug

- ◆ Opbevar apparatet på et tørt, godt ventileret sted uden for børns rækkevidde, når det ikke er i brug.
- ◆ Børn må ikke have adgang til opbevarede apparater.
- ◆ Når apparatet opbevares eller transporteres i et køretøj, skal det anbringes i bagagerummet eller fastgøres for at forhindre bevægelse som følge af pludselige ændringer i hastighed eller retning.

## Eftersyn og reparationer

- ◆ Kontroller apparatet for beskadigede eller defekte dele før brug. Se efter knækkede dele og eventuelle andre forhold, der kan påvirke apparatets funktion.
- ◆ Brug ikke apparatet med beskadigede eller defekte dele.
- ◆ Få beskadigede eller defekte dele repareret eller udskiftet på et autoriseret værksted.
- ◆ Forsøg aldrig at fjerne eller udskifte dele ud over dem, der er beskrevet i denne vejledning.

## Andres sikkerhed

- ◆ Dette apparat kan bruges af børn i en alder fra 8 år og derover og personer med nedsatte fysiske, sensoriske eller mentale evner eller manglende erfaring og viden, hvis det sker under overvågning, eller de vejledes i brugen af apparatet på en sikker måde, og de forstår de farer, som er forbundet dermed. Børn må ikke lege med apparatet. Rengøring og brugervedligeholdelse må ikke foretages af børn uden opsyn.
- ◆ Børn skal holdes under opsyn, så det sikres, at de ikke leger med værktøjet.

## Vibration

De angivne værdier for udsendelse af vibration opført under de tekniske data og overensstemmelseserklæringen er målt i henhold til standardtestmetoden anført i EN50636 og kan bruges til at sammenligne ét værktøj med et andet.

Den angivne værdi for udsendelse af vibration kan også bruges som en foreløbig vurdering af eksponeringen.

**Advarsel!** Værdien for udsendelse af vibration ved faktisk brug af elværktøjet kan afvige fra den angivne værdi afhængig af måden, værktøjet anvendes på. Vibrationsniveauet kan overstige det angivne niveau.

I vurderingen af eksponeringen for vibration med henblik på fastsættelse af sikkerhedsforanstaltninger som krævet i 2002/44/EF til beskyttelse af personer, der jævnligt anvender elværktøj i deres arbejde, skal der tages hensyn til de faktiske betingelser under brugen, og måden værktøjet bruges på, herunder alle arbejds cyklussens elementer, f.eks. perioder, hvor værktøjet er slukket og kører i tomgang tillige med startperioderne.

## Yderligere sikkerhedsvejledning for græstrimmere

**Advarsel!** Skæreelementer fortsætter med at rotere, efter at motoren er stoppet.

- ◆ Sæt dig ind i betjeningsknapperne og korrekt brug af apparatet.
- ◆ ATag altid batteriet ud af apparatet, når apparatet er uden opsyn, før du fjerner en blokering, før rengøring og vedligeholdelse, efter at have ramt af et fremmedlegeme, eller når apparatet begynder at vibrere unormalt.
- ◆ Bær solide sko eller støvler for at beskytte dine fødder.
- ◆ Bær lange bukser for at beskytte dine ben.

- ◆ Kontroller, at området er ryddet for grene, sten, ståltråd og andre forhindringer, før du bruger apparatet.
- ◆ Brug kun apparatet i lodret stilling med skæretråden i nærheden af jorden. Tænd ikke for apparatet i nogen anden position.
- ◆ Bevæg dig langsomt, når du bruger apparatet. Husk at nyslået græs er fugtigt og glat.
- ◆ Undgå at arbejde på stejle skrånninger. Arbejd på tværs af skrånningen, ikke op og ned.
- ◆ Passer ikke grusstier eller veje, mens apparatet kører.
- ◆ Rør aldrig skæretråden, mens apparatet kører.
- ◆ Læg ikke apparatet ned, før skæretråden står helt stille.
- ◆ Brug altid den rigtige type skæretråd. Brug aldrig metaltråd eller fiskesnøre.
- ◆ Pas på ikke at røre trådkniven.
- ◆ Hold altid hænder og fødder væk fra skæretråden, især når motoren startes.
- ◆ Kontroller apparatet før brug eller efter et evt. slag for tegn på slid eller beskadigelse, og reparer efter behov.
- ◆ Brug aldrig apparatet med beskadigede skærme eller uden skærme.
- ◆ Pas på ikke at komme til skade med enheden, der er monteret til afskæring af trådlængden. Når du har trukket ny skæretråd ud, skal du altid sætte maskinen tilbage i normal arbejdsstilling, før den startes.
- ◆ Hold altid ventilationsåbningerne fri for snavs.

## Yderligere sikkerhedsvejledninger for batterier og ladere

### Batterier

- ♦ Forsøg aldrig at åbne den af en eller anden grund.
- ♦ Batteriet må ikke udsættes for vand.
- ♦ Må ikke opbevares på steder, hvor temperaturen kan overstige 40°C.
- ♦ Oplad kun ved omgivelsestemperaturer på mellem 10° C og 40° C.
- ♦ Oplad kun ved hjælp af den medfølgende lader.
- ♦ Følg vejledningen i afsnittet "Miljøbeskyttelse" ved bortskaffelse af batterier.

### Opladere

- ♦ Brug kun din BLACK+DECKER-lader til at oplade batteriet i det værktøj, som den blev leveret sammen med. Andre batterier kan eksplodere og forårsage personskader og materielle skader.
- ♦ Forsøg aldrig at oplade ikke-genopladelige batterier.
- ♦ Udskift straks defekte ledninger.
- ♦ Opladeren må ikke udsættes for vand.
- ♦ Opladeren må ikke åbnes.
- ♦ Opladeren må ikke undersøges.



Opladeren er kun beregnet til indendørs brug.



Læs brugervejledningen, før værktøjet tages i brug.

## Elektricitet og sikkerhed



Laderen er dobbelt isoleret. Derfor er en jordledning ikke nødvendig. Kontroller altid, at netspændingen svarer til spændingen på typeskiltet. Forsøg aldrig at erstatte laderenheden med et almindeligt netstik.

- ♦ Hvis netledningen beskadiges, skal den udskiftes af producenten eller et autoriseret BLACK+DECKER-værksted, så farlige situationer undgås.

## Mærkater på apparatet

Følgende advarselsymboler findes på apparatet sammen med datokoden:



Læs vejledningen inden brug.



Bær beskyttelses- eller sikkerhedsbriller, når du bruger dette apparat.



Bær egnet høreværn, når du bruger dette apparat.



Fjern altid batteriet fra apparatet, før du udfører nogen form for rengøring eller vedligeholdelse.



Pas på flyvende genstande. Hold omkringstående på afstand af klippeområdet.



Udsæt ikke apparatet for regn eller høj fugtighed.



Direktiv 2000/14/EF garanteret lydeffekt.

## Funktioner

Dette apparat leveres med nogle af eller alle de følgende komponenter:

- 1 Startknap
- 2 Låseknap
- 3 Håndtag
- 4 Hjælpehåndtag
- 5 Højdejusteringskrave
- 6 Trimmerhoved
- 7 Kantstyr
- 8 Beskyttelsesskærm
- 9 Spolehus
- 10 Batteri

## Opladning af batteriet (Fig. A)

Batteriet skal oplades inden ibrugtagningen, og når det ikke leverer strøm nok til opgaver, der tidligere kunne udføres ubesværet.

Batteriet kan blive varmt under opladningen. Det er normalt og ikke tegn på problemer.

**Advarsel!** Oplad ikke batteriet ved omgivende temperaturer på under 10 °C eller over 40 °C. Den anbefalede opladningstemperatur er ca. 24 °C.

**Bemærk:** Opladeren oplader ikke et batteri, hvis dets temperatur er under ca. 10° C eller over 40° C.

Batteriet bør blive siddende i laderen, som automatisk begynder opladningen, når batteriet opvarmes/afkøles.

- ◆ Indsæt opladeren i en passende udgang, før batteripakken indsættes.
- ◆ Indsæt batteripakken i opladeren.



Den grønne LED blinker for at vise, at batteriet oplades.



Når opladningen er færdig, vil det blive angivet af den grønne LED, som vil lyse konstant. Pakken er fuldt opladet og kan nu anvendes eller kan efterlades i opladeren.

**Advarsel!** Genoplad afladede batterier så hurtigt som muligt efter brug, da batteriets levetid ellers kan blive stærkt formindsket.

## Fejlfinding af opladeren

Denne oplader er udviklet til at registrere visse problemer, der kan opstå med batteripakker eller strømkilden. Problemerne angives med et LED blink i forskellige mønstre.

## Dårligt batteri



Opladeren kan registrere et svagt eller beskadiget batteri. Det røde LED blinker i det mønstre, der er angivet på mærkaten. Hvis du ser dette dårlige batteriblinkmønster, forsæt ikke med at oplade batteriet. Returnér det til et servicecenter eller til et indsamlingssted til genbrug

## Varm/kold pakkeforsinkelse



Når opladeren registrerer et batteri, der er alt for varmt eller alt for koldt, starter den automatisk en varm/kold pakkeforsinkelse og indstiller opladningen, indtil batteriet er blevet normaliseret. Efter dette er sket, skifter opladeren automatisk til pakkeopladningsfunktionen. Denne funktion sikrer maksimal batterilevetid. Det røde LED blinker i det mønstre, der er angivet på mærkaten, når varm/kold pakkeforsinkelsen registreres.

## Lad batteriet blive siddende i opladeren

Du kan lade batteripakken sidde i laderen med tændt lysdiode, så længe det ønskes. Opladeren holder batteripakken klar og fuldt opladet.

## Vigtige bemærkninger om opladning

- ◆ Den længste levetid og bedste ydeevne kan opnås, hvis batteripakken oplades, når lufttemperaturen er mellem 18° - 24°C (65 - 75°F). Oplad IKKE batteripakken i en lufttemperatur under +4,5°C (+40°F) eller over +40,5°C (+105°F). Dette er vigtigt og vil forhindre alvorlig beskadigelse af batteripakken.
- ◆ Opladeren og batteripakken kan blive for varme at røre ved under opladning. Dette er normalt og angiver ikke et problem. For at lette køling af batteripakken efter brug, undgå at placere opladeren eller batteripakken i varme omgivelser, som f.eks. i et metalskur eller i en uisoleret trailer
- ◆ Hvis batteripakken ikke oplades ordentligt:
  - ◆ Kontroller strømstikket ved at tilslutte en lampe eller et andet apparat
  - ◆ Kontroller for at se om kontakten er tilsluttet til en lyskontakt, som slår strømmen fra, når du slukker for lysene.
  - ◆ Flyt opladeren og batteripakken til et sted, hvor den omgivende lufttemperatur er ca. 18° - 24°C (65°F - 75°F).
  - ◆ Hvis der stadig er opladningsproblemer, tag apparatet, batteripakken og opladeren til dit lokale servicecenter.
- ◆ Batteripakken skal genoplades, når den ikke giver tilstrækkelig strøm til de opgaver, som tidligere let blev udført. FORTSÆT IKKE med at bruge den under disse forhold. Følg opladningsproceduren. Du kan også oplade en delvist brugt pakke, når du ønsker det uden nogen negativ indflydelse på batteripakken.

- ◆ Fremmede materialer af en ledende art som for eksempel, men ikke begrænset til ståluld, aluminiumsfolie eller anden koncentration af metalliske partikler skal holdes på afstand af opladerens huller. Tag altid stikket til opladeren ud fra kontakten, når der ikke er indsat en batteripakke. Tag stikket til opladeren ud før forsøg på at rengøre den.
- ◆ Frys ikke eller nedsænk opladeren i vand eller andre væsker.

**Advarsel!** Risiko for chok. Lad ikke nogen flydende væsker komme ind i opladeren. Forsøg aldrig at åbne batteripakken. Hvis batteripakkens plastikhus får brud eller revner, returner det til et servicecenter til genbrug.

### Isætning og afmontering af batteripakken fra apparatet

**Advarsel!** Sørg for, at låseknappen ikke er aktiveret, for at forhindre utilsigtet aktivering af startknappen inden afmontering eller isætning af et batteri.

### Sådan installeres batteripakken

Indsæt batteriet (10) i apparatet, indtil der høres et klik (figur B). Sørg for at batteripakken er helt skubbet ind og låst i position.

### Sådan udtages batteripakken

Tryk batteriets udløserknop (11) ned som vist i figur C og træk batteripakken ud af apparatet.

### Samling

**Advarsel!** Før montering kontroller, at værktøjet er slået fra, og at batteriet er fjernet.

**Nødvendige monteringsværktøjer (ikke leveret):**  
Stjerneskruetrækker.

### Montering af skærm (Fig. D, E)

**Advarsel!** Fjern batteriet fra apparatet, før du forsøger at fastgøre skærmen, hjørnestyre eller håndtag. Arbejd aldrig med apparatet, uden at skærmen er på plads. Skærmen skal sidde på apparatet for at beskytte brugeren.

- ◆ Fjern skruen fra skærmen.
- ◆ Vend bagsiden af trimmeren opad, så du kan se spoledækslet (16).
- ◆ Vend bagsiden af skærmen (8) opad, og skub den helt op på motorhuset (12). Kontroller at tappene (13) på skærmen glider ind i hullerne (14) på motorhuset som vist i figur D.
- ◆ Fortsæt med at skubbe skærmen på, indtil du hører, at den "klikker" på plads.
- ◆ Indsæt ved hjælp af en stjerneskruetrækker skærmskruen og stram den som vist på figur E for at afslutte skærmenheden.
- ◆ Når skærmen er monteret, fjernes afdækningen fra trådkniven på kanten af skærmen.

**Advarsel!** Brug aldrig værktøjet uden korrekt monteret skærm.

### Højdejustering (Fig. F, G–G3)

**Advarsel!** Juster længden på trimmeren for at opnå de korrekte arbejdspositioner vist i figurerne G - G3.

- ◆ Trimmerens samlede højde kan justeres ved at løsne højdejusteringskrave (5) og dreje den i retning af pilen vist i figur F.

- ◆ Flyt det øverste hus lige op eller ned. Når den ønskede højde er opnået, stram kraven ved at dreje den modsat af retningen vist i figur F.

### Frigørelse af skæretråd

Under forsendelse er skæretråden tapet fast på spolet huset.

- ◆ Fjern tapen, der holder skæretråden fast på spolet huset.

### Funktion

**Advarsel!** Bær altid korrekte beskyttelsesbriller.

**Advarsel!** Brug altid den rigtige type skæretråd, før du påbegynder klipningen.

**Bemærk:** Inspicer det område, der skal trimmes og fjern alle kabler, ledninger eller strenglignende genstande, som kan blive viklet ind i den roterende linje eller spole. Vær særlig omhyggelig med at undgå alle kabler, som kan bøjes udad ind i apparatets sti, som f.eks. modhager i bunden af et kædeledhegn.

### Tænd og sluk

- ◆ Du tænder for apparatet ved at skubbe til startspærreknappen (2) og trykke på udløseren (1).
- ◆ Du slukker for apparatet ved at slippe udløseren.

### Betjening af trimmeren (Fig. F, G–G3)

- ◆ Når enheden er tændt, sættes den ned i en vinkel og svinges langsomt fra side til side som vist i fig. G.
- ◆ Oprethold en skærevinkel på 5° til 10° som vist i fig. G1. Vinklen må ikke være større end 10° (fig G2). Skær med styrekanten af tråden. Brug kantstyret (7) for at holde afstand til hårde overflader.
- ◆ Oprethold en afstand på mindst 600mm mellem skærmen og dine fødder som vist i fig. G3. Denne afstand opnås ved at indstille trimmerens samlede højde som vist i fig. F.

### Konverter til kantfunktion (Fig. H, I)

**Advarsel!** Når trimmeren anvendes til kantklipping, kan det forekomme, at tråden kaster metalstykker og andre genstande ud ved høj hastighed. Trimmeren og skærmen er konstrueret til at mindske risikoen herved. Men **SØRG FOR** at andre personer og kæledyr opholder sig i mindst 30m afstand. Det bedste resultat opnås på kanter, der er dybere end 50 mm.

- ◆ Fjern batteriet fra trimmeren.
- ◆ Til at fungere som en vedligeholdelseskantskærer, drej kraven (5) som vist i del 1 i figur H.
- ◆ Hold ved metalakslen og drej det nederste hus 180° som vist i del 2.
- ◆ Drej kraven indtil den er stram.
- ◆ Løft kantstyret (7) ind i kantpositionen som vist i figur I.
- ◆ Anbring trimmeren over overfladen som vist i figur J.
- ◆ Vend tilbage til trimmingspositionen ved at løsne låsekraven og dreje det nederste hus tilbage til 180°. Drej kraven indtil den er stram.

### Nyttige skæretip

- ◆ Brug spidsen på strengen til at udføre skæringen, tving ikke streghovedet ind i uklippet græs. Brug kantstyr langs sådanne ting som hegn, huse og blomsterbede for bedste udnyttelse.

- ◆ Ledninger og stakitter forårsager ekstra strengslitage og endog brud. Sten og murstensvægge, kantsten og træ kan hurtigt slide strengen.
- ◆ Lad ikke spolehætte at trække på jorden eller andre overflader.
- ◆ Overstig ikke en højde på 300 mm i lange vækstsnit fra toppen og ned.
- ◆ Hold trimmeren vipet imod det område, der skal klippes, dette er det bedste skæreeområde.
- ◆ Trimmeren skærenår den passerer enheden fra højre til venstre. På denne måde kastes der ikke snavs på operatøren.
- ◆ Undgå træer og buske. Bark, trællister, beklædninger og hegnsplæle kan nemt blive beskadiget af strengen.

### Skærelinje / linjefremføring

Din trimmer bruger en rund nylontråd med 1,65 mm diameter. Under brug vil spidserne på nylontråden blive flossede og slidte, og den specielle fremføringsspole vil automatisk fremføre og trimme et frisk stykke af tråden. Skæretråden slides hurtigere og skal hyppigere føres frem, hvis der udføres trimning eller kantskæring langs fortove eller andre slidende overflader, eller hvor der trimmes kraftigt ukrudt. Den avancerede automatiske trådfremføringsmekanisme registrerer, når der er behov for mere skæretråd og fremfører og trimmer den korrekte længde tråd, når det er påkrævet. Undgå at støde enheden på jorden i forsøg på at fremføre tråden eller af andre årsager.

### Afhjælpning af blokeringer og sammenfiltret tråd (Fig. K, L, M)

**Advarsel!** Fjern batteriet fra trimmeren før montering, justering eller ændring af tilbehør. Disse sikkerhedsforanstaltninger reducerer risikoen for utilsigtet start af apparatet. Fra tid til anden, især når der skæres ukrudt med tykke stængler, kan trådens fremføringsnav blive tilstoppet med plantesaft eller andet materiale, og som resultat bliver tråden blokeret. Du udreder blokeringen ved at følge trinene nedenfor.

- ◆ Fjern batteriet fra trimmeren.
- ◆ Tryk på udløsnings tappene (15) på trådens spolehætte (16), som vist i figur K og fjern hættten ved at trække den lige ud.
- ◆ Træk nylontrådens spole ud og fjern alle knækkede tråde eller skær partikelrester væk spoleområdet.
- ◆ Placer spolen og tråden i spolehætten med tråden "parkeret" i de medfølgende riller vist i figur L1.
- ◆ Indsæt tråden gennem det passende hul i spolehuset. Træk slækråden igennem, indtil den trækkes ud af holderillerne som vist i figur L2.
- ◆ Tryk forsigtigt spolen ned og drej den, indtil du føler, at den falder på plads og skub den, til den klikker på plads. (Når den er på plads, vil spolen dreje nogle få grader frit til venstre og højre).
- ◆ Pas på at tråden ikke bliver fanget under spolen.
- ◆ Ret spolens hættetappe ind efter rillerne på spolehuset.
- ◆ Klik spolehætten på igen som vist i figur M ved at trykke øsknerne ned og trykke dem ind i spolehuset.

**Bemærk:** Sørg for, at dækslet er korrekt anbragt, lyt efter to hørbare klik for at sikre, at begge øskner er korrekt placeret. Tænd for apparatet. I løbet af nogle få sekunder eller mindre vil du høre, at nylontråden automatisk skæres til den korrekte længde.

**Advarsel!** For at undgå beskadigelse af apparatet, skal skæretråden hænges længere ud end trådkniven, hvis den klippes af, så den lige netop når kniven.

**Bemærk:** Andre udskiftningsdele (skærme, spoledæksler osv.) fås hos BLACK+DECKER servicecentre. Du finder placeringen af dit lokale servicecenter på [www.blackanddecker.com](http://www.blackanddecker.com).

**Advarsel!** Brugen af tilbehør, som ikke anbefales af BLACK+DECKER til brug sammen med dette apparat, kan være farlig.

### Udskitning af spolen (Fig. K, L, M, N)

- ◆ Fjern batteriet fra apparatet.
- ◆ Tryk tappene (15) ned og fjern spolehætten (16) fra spolehuset (17) (fig. K).
- ◆ Tag fat i den tomme spole med den ene hånd og spolehuset med den anden hånd, og træk spolen ud.
- ◆ Hvis grebet (18) (figur N) i bunden af huset bliver løs, skal den udskiftes og placeres i korrekt position, før der indsættes en ny spole i huset.
- ◆ Fjern snavs og græs fra spolen og huset.
- ◆ Frigør enden af skæretråden, og før tråden gennem øjet (L2) figur L.
- ◆ Tag den nye spole, og skub den op på navet (19) (fig. N) i huset. Drej spolen let, indtil den er på plads. Tråden skal hænge ca. 136 mm ud fra huset.
- ◆ Ret tappene på spolehætten ind efter rillerne i huset (figur M).
- ◆ Tryk hættten på huset, indtil den låses på plads.

### Tilbagespoling fra volumentråd (Fig. O, P, Q)

Skæretråd i løst parti kan også købes hos din lokale forhandler. Bemærk: Løs tråd, der er viklet manuelt op på spolen, er mere tilbøjelig til at filtrere sammen end det er tilfældet ved færdige BLACK+DECKER-spoler fra fabrik. Det anbefales at bruge færdige spoler fra fabrikken for at opnå det bedste resultat. Følg nedenstående trin for opvinding af løs tråd:

- ◆ Fjern batteriet fra apparatet.
- ◆ Tag den tomme spole ud af apparatet som beskrevet i "Udskitning af spole.n"
- ◆ Fjern evt. resterende skæretråd fra spolen.
- ◆ Bøj enden af skæretråden om ved ca. 19 mm (20). Før skæretråden ind i en af fastgørelsesåbningerne (21) som vist i figur O.
- ◆ Indsæt 19 mm enden af volumentråden ind i hullet (22) i spolen, der støder op til rillen som vist i figur P. Kontroller at tråden trækkes stramt imod spolen som vist i figur P.
- ◆ Vind skæretråden på spolen i pilens retning. Vind tråden ensartet på og i lag. Kryds ikke (figur Q).
- ◆ Når den opspolde skæretråd når fordybningerne (23), skæres den over (figur P).
- ◆ Sæt spolen på apparatet som beskrevet i "Udskitning af spolen".

### Vedligehold

Dit BLACK+DECKER-apparat/værktøj med eller uden ledning er beregnet til brug gennem lang tid med et minimum af vedligeholdelse. Fortsat tilfredsstillende drift afhænger af korrekt behandling af apparatet samt regelmæssig rengøring. Laderen kræver ingen vedligeholdelse, men skal rengøres jævnligt.

**Advarsel!** Før udførelse af nogen form for vedligeholdelse på elværktøj med/uden ledning:

- ◆ Sluk og tag apparatets/værktøjets stik ud af stikkontakten.
- ◆ Eller sluk og fjern batteriet fra apparatet/værktøjet, hvis det har en separat batteripakke.
- ◆ Eller aflad batteriet helt, hvis det er indbygget, og sluk derefter.
- ◆ Træk laderen ud af stikkontakten, før den rengøres. Laderen kræver ingen vedligeholdelse, men skal rengøres jævnligt.
- ◆ Rens jævnligt værktøjets/apparatets og laderens ventilationshuller med en blød børste eller en tør klud.
- ◆ Rengør med jævne mellemrum motorhuset med en fugtig klud. Der må ikke bruges skuremidler eller opløsningsmidler.
- ◆ Rengør regelmæssigt skæretråden og spolen med en blød børste eller en tør klud.
- ◆ Brug jævnligt en uskarp skraber til at fjerne græs og snavs fra apparatet.

Problem	Løsning
Overfremføring	Kontroller at du skærer med trådens spids 177 mm fra spolen. Brug kantstyret om nødvendigt til at sikre, at korrekt mellemrum opretholdes. Kontroller at du ikke overskrider en vinkel på 10° som vist i (fig G1).
Tråden udredes når hættten eller spolen fjernes	Sorg for at parkere trådene i holderillerne (fig. L1) før udtagning.

## Miljøbeskyttelse



Særskilt bortskaffelse. Produkter og batterier mærket med dette symbol må ikke bortskaffes sammen med normalt husholdningsaffald.

Produkter og batterier indeholder materialer, der kan blive gendannet eller genanvendt og således reducere efterspørgslen efter råvarer. Genbrug venligst elektriske produkter og batterier i henhold til lokale regulativer.

## Problemløsning

Problem	Løsning
Apparatet kører langsomt.	Fjern batteriet fra trimmeren.  Kontroller, at spolehuset kan rotere frit. Rengør det forsigtigt om nødvendigt.  Kontroller, at skæretråden ikke hænger mere end ca. 122 mm ud af spolen. Hvis den gør, skal den klippes af så den lige netop når trådniveauet.
Automatisk trådføring fremfører ikke tråd.	Der indføres mere tråd, når tråden afkortes til ca. 76 mm. For at afgøre om tråden ikke fremføres, lad tråden glide forbi dette punkt.  Hold tappene nedtrykket og fjern spolehætten med spolen fra spolehuset i trimmerhovedet.  Kontroller at tråden ikke er blevet krydset på spolen som vist i (fig. Q). Hvis den er, vind skæretråden op og spol den pænt tilbage.  Inspicér sporene på bunden af spolen for beskadigelse. Hvis beskadiget, udskift spolen.  Træk i skæretråden, indtil den hænger ca. 122 mm ud fra spolen. Sæt en ny spole med skæretråd i, hvis der ikke er tilstrækkelig skæretråd tilbage på spolen. Ret tappene på spolehætten ind efter udskæringerne i huset. Tryk spolehætten på huset, indtil den låses på plads. Hvis skæretråden hænger længere ud end trådniveauet, klippes den af, så den lige netop når kniven. Prøv nedenstående forsøg, hvis metoden med at slå enheden mod jorden stadig ikke virker, eller tråden er filtret: Rengør forsigtigt spolehætten og huset. Kontroller at du bruger den korrekte trådstørrelse og -diameter (2,00 mm) – mindre og større trådstørrelser vil påvirke det automatiske fremføringssystemets funktionalitet. Fjern spolen og kontroller, om armen i spolehuset kan bevæge sig frit. Tag spolen ud, vind skæretråden af, og vind den derefter ensartet på igen. Udskift spolen i huset.

## Tekniske data

		ST182320
Indgangsspænding	$V_{ac}$	18
Ubelastet hastighed	min <sup>-1</sup>	9000
Vægt	kg	2.05

Batteri		BL2018
Spænding	$V_{ac}$	18
Kapacitet	Ah	2.0
Type		Li-Ion

Oplader		905902** (typ. 1)
Indgangsspænding	$V_{ac}$	230
Udgangsspænding	$V_{ac}$	18
Strømstyrke	mA	400

Vægtet vibrationsværdi for hånd/arm i henhold til EN50636-2-91:

$$= 3.6 \text{ m/s}^2, \text{ usikkerhed (K) } = 1,5 \text{ m/s}^2.$$

$$L_w \text{ (lydtryk) } 76 \text{ dB(A)}$$

$$\text{usikkerhed (K) } = 2,6 \text{ dB(A)}$$

## EF-overensstemmelseserklæring

MASKINDIREKTIV  
DIREKTIV OM STØJEMISSION FRA MASKINER TIL  
UDENDØRS BRUG



ST182320 ledningsfri græstrimmer

Black & Decker erklærer, at produkterne beskrevet under "Tekniske data" er i overensstemmelse med: 2006/42/EC, EN60335-1:2012 + A11:2014 EN50636-2-91:2014

2000/14/EF, plænetrimmer, L ≤ 50 cm, bilag VI  
DEKRA Certification B.V., Utrechtseweg 310,  
6802 ED Arnhem, Holland  
Underrettet myndighed, id-nr.: 0344

Lydintensitetsniveau i henhold til 2000/14/EC  
(artikel 12, bilag III, L ≤ 50 cm):  
L<sub>in</sub> (målt lydeffekt) 88 dB(A)  
usikkerhed (K) = 2,6 dB(A)  
L<sub>max</sub> (garanteret lydeffekt) 96 dB(A)

Disse produkter er endvidere i overensstemmelse med direktiv 2014/30/EU og 2011/65/EU. Kontakt Black & Decker på nedenstående adresse eller se vejledningens bagside for at få flere oplysninger.

Undertegnede er ansvarlig for udarbejdelsen af de tekniske data og fremsætter denne erklæring på vegne af Black & Decker.



R. Laverick  
Direktør for konstruktioner  
Black & Decker Europe, 210 Bath Road, Slough,  
Berkshire, SL1 3YD  
Storbritannien  
15/11/2016

## Garanti

Black & Decker er sikker på kvaliteten af sine produkter og giver forbrugere en garanti på 24 måneder fra købsdatoen. Garantien er et tillæg til forbrugers lovsikrede rettigheder og påvirker ikke disse. Garantien er gyldig inden for medlemsstaterne af Den Europæiske Union og Det Europæiske Frihandelsområde. Når du gør krav på garantien, skal kravet være i overensstemmelse med Black&Decker vilkår og betingelser, og du skal indsende dokumentation for købet til sælgeren eller til en autoriseret reparatør.

Vilkår og betingelser for Black & Decker 2 års garanti og placeringen af dit nærmeste autoriserede serviceværksted kan fås på internettet på [www.2helpU.com](http://www.2helpU.com), eller ved at kontakte dit lokale Black & Decker kontor på den adresse, der er angivet i denne vejledning.

Besøg venligst vores websted [www.blackanddecker.co.uk](http://www.blackanddecker.co.uk) for at registrere dit nye Black & Decker produkt og modtage opdateringer om nye produkter og specielle tilbud.

## Käyttötarkoitus

BLACK+DECKER ST182320 -trimmeri on suunniteltu nurmikon reunojen viimeistelyyn ja nurmikon leikkaukseen ahtaissa paikoissa. Laite on tarkoitettu vain yksityiskäyttöön.

## Turvallisuusohjeet

**Varoitus!** Sähkölaitteita käytettäessä on aina noudatettava asianmukaisia turvaohjeita, jotta tulipalojen, sähköiskujen, henkilövahinkojen ja materiaalivaurioiden riski olisi mahdollisimman pieni.

**Varoitus!** Laitetta käytettäessä on noudatettava turvallisuussääntöjä. Lue tämä opas huolellisesti läpi ennen koneen käyttöä oman ja muiden turvallisuuden takia. Säilytä ohjeet myöhempää tarvetta varten.

- ◆ Lue nämä ohjeet huolellisesti ennen laitteen käyttöä.
- ◆ Käyttötarkoitus kuvataan ohjeissa. Muiden kuin ohjeissa suositeltujen lisävarusteiden tai -osien käyttö sekä laitteen käyttö muuhun kuin oppaassa suositeltuun tarkoitukseen voi aiheuttaa henkilövahingon vaaran.
- ◆ Säilytä tämä käyttöohje tulevaa tarvetta varten.

## Laitteen käyttö

Ole aina huolellinen käyttäessäsi laitetta.

- ◆ Käytä aina suojalaseja.
- ◆ Lapset, fyysisesti, aistillisesti tai henkisesti puutteelliset tai kokemattomat ja kouluttamattomat henkilöt, jotka eivät tunne näitä ohjeita, eivät saa koskaan käyttää konetta. Paikalliset määräykset voivat asettaa käyttäjän ikärajoituksia.



- ◆ Älä koskaan käytä laitetta muiden henkilöiden (erityisesti lapsien) tai eläinten läheisyydessä.
- ◆ Älä anna lasten tai eläinten tulla lähelle työskentelyaluetta tai koskea laitteeseen.
- ◆ Jos laitetta käytetään lasten läheisyydessä, on oltava tarkkaavainen.
- ◆ Tätä laitetta ei ole tarkoitettu nuorten tai lihasvoimaltaan heikkojen henkilöiden käyttöön ilman valvontaa.
- ◆ Laitetta ei tule käyttää leluna.
- ◆ Käytä laitetta vain päivänvalossa tai hyvin valaistulla alueella.
- ◆ Soveltuu vain kuivaan käyttöympäristöön. Älä anna laitteen kastua.
- ◆ Vältä käyttämästä laitetta epäsuotuisissa sääolosuhteissa, varsinkin, kun olemassa on salamoinnin vaara.
- ◆ Älä upota laitetta veteen.
- ◆ Älä avaa laitteen koteloa. Sen sisällä ei ole käyttäjän huollettavissa olevia osia.
- ◆ Älä käytä laitetta räjähdysalttiissa ympäristössä, jossa on syttyvää nestettä, kaasua tai pölyä.
- ◆ Laitteen kanssa tulee käyttää ainostaan sen mukana toimitettua virtalähdettä.

## Muut riskit

Myös muut kuin turvavaroituksissa mainitut riskit ovat mahdollisia työkalua käytettäessä. Nämä riskit voivat liittyä muun muassa virheelliseen tai pitkäaikaiseen käyttöön.

Tiettyjä jäännöriskejä ei voi välttää, vaikka noudatat kaikkia turvamääräyksiä ja käytät turvalaitteita. Näitä ovat:

- ◆ Pyörivien tai liikkuvien osien kosketamisen aiheuttamat vahingot.
- ◆ Osia, teriä tai lisävarusteita vaihdettaessa aiheutuneet vahingot.
- ◆ Työkalun pitkäaikaisen käytön aiheuttamat vahingot. Varmista, että pidät säännöllisesti taukoja työkalun pitkäaikaisen käytön aikana.
- ◆ Kuulon heikkeneminen.
- ◆ Työkalua käytettäessä (esimerkiksi puuta, erityisesti tammea, pyökkiä ja MDF-levyjä käsiteltäessä) syntyneen pölyn sisäänhengityksen aiheuttamat terveysriskit.

## Käytön jälkeen

- ◆ Kun laitetta ei käytetä, säilytä sitä kuivassa, hyvin tuuletetussa paikassa poissa lasten ulottuvilta.
- ◆ Pidä laite lasten ulottumattomissa.
- ◆ Kun laitetta säilytetään tai kuljetetaan ajoneuvossa, sijoita se tavaratilaan tai kiinnitä se kunnolla, ettei se matkan aikana pääse liikkumaan.

## Tarkastus ja korjaus

- ◆ Tarkista ennen laitteen käyttöä, ettei laitteessa ole vahingoittuneita tai viallisia osia. Tarkista osien ja kytkimien kunto sekä muut seikat, jotka voivat vaikuttaa laitteen toimintaan.
- ◆ Älä käytä laitetta, jos jokin osa on vahingoittunut tai viallinen.
- ◆ Korjauta tai vaihdata vaurioituneet tai vialliset osat valtuutetussa huoltoliikenteessä.

- ♦ Älä yritä korjata tai vaihtaa muita kuin tässä käyttöohjeessa erikseen määritellyjä osia.

## Muiden turvallisuus

- ♦ Tämä laite soveltuu yli 8-vuotiaiden lasten ja sellaisten henkilöiden käyttöön, joilla on fyysisiä tai älyllisiä rajoitteita tai aistirajoitteita, kuten myös laitteen toimintaan perehtymättömien henkilöiden käyttöön, jos heitä valvotaan tai jos he ovat saaneet laitteen turvalliseen käyttöön liittyvää opastusta ja ymmärtävät laitteen käyttöön liittyvät vaarat. Älä anna lasten leikkiä laitteella. Puhdistus- ja huoltotöitä ei saa jättää lapsille ilman valvontaa.
- ♦ Lapsia on valvottava ja heitä on esitettävä leikkimästä laitteella.

## Tärinä

Teknisissä tiedoissa ja vaatimustenmukaisuusilmoituksessa ilmoitetut tärinäpäästöarvot on mitattu standardin EN50636 testausmenetelmän mukaisesti, ja niiden avulla voidaan vertailla työkaluja keskenään. Ilmoitettua tärinäpäästöarvoa voidaan käyttää myös altistumisen alustavaan arviointiin.

**Varoitus!** Sähkötyökalun käytön aikana mitattu todellinen tärinäpäästöarvo voi poiketa ilmoitetusta tärinäpäästöarvosta työkalun käyttötavan mukaan. Tärinätaso voi olla ilmoitettua tasoa suurempi.

Kun tärinälle altistumista arvioidaan sen määrittämiseksi, mitä direktiivin 2002/44/EY mukaisia turvatoimenpiteitä vaaditaan sähkötyökaluja säännöllisesti käyttävien henkilöiden suojelemiseksi, tärinälle altistumisen arvioinnissa on otettava huomioon todelliset käyttöolosuhteet ja työkalun käyttötavat. Todellisen käytön lisäksi on kiinnitettävä huomiota myös siihen, milloin työkalu on sammutettuna tai se käy tyhjäkäynnillä.

## Ruohotrimmereiden lisäturv- aohjeet

**Varoitus!** Leikkaavien osien pyöriminen jatkuu senkin jälkeen, kun moottori on sammutettu.

- ♦ Tutustu hallintalaitteisiin ja opettele laitteen oikea käyttö.
- ♦ Irrota akku aina laitteesta kun se jätetään ilman valvontaa, ennen tukoksen poistamista, ennen puhdistusta ja huoltoa, vieraan esineen iskeytyessä siihen tai kun laite tärisee poikkeavasti.
- ♦ Suojaa jalat laitteen käytön aikana käyttämällä tukevia jalkineita.
- ♦ Suojaa sääret käyttämällä pitkiä housuja.
- ♦ Tarkista ennen laitteen käyttöä, ettei työskentelyalueella ole oksia, kiviä, metallilankaa tai muita esteitä.
- ♦ Käytä laitetta vain pystyasennossa, leikkuulanka kuvan mukaisesti lähellä maata. Älä koskaan käynnistä laitetta missään muussa asennossa.
- ♦ Liiku hitaasti, kun käytät laitetta. Muista, että juuri leikattu ruoho on kostea ja liukasta.

- ♦ Älä työskentele jyrkissä rinteissä. Työskentele rinteiden korkeussuuntaan nähden poikittain, älä ylhäältä alas tai päinvastoin.
- ♦ Älä koskaan kuljeta laitetta sora- tai hiekkateiden yli langan pyöriessä.
- ♦ Älä koskaan kosketa leikkuulankaa laitteen ollessa käynnissä.
- ♦ Älä laita laitetta maahan, ennen kuin leikkuulanka on täysin pysähtynyt.
- ♦ Käytä ainoastaan oikean tyyppistä leikkuulankaa. Älä koskaan käytä metallista leikkuulankaa tai ongensiimaa.
- ♦ Älä koske langan leikkuuterään.
- ♦ Pidä kädet ja jalat poissa leikkuulangan tieltä etenkin, kun moottori käynnistetään.
- ♦ Tarkista laite kulumisen tai vaurioiden varalta ennen työn aloittamista ja iskujen jälkeen. Korjaa puutteet ennen työn jatkamista.
- ♦ Älä koskaan käytä laitetta, jos jokin suoja on vaurioitunut tai ei ole paikallaan.
- ♦ Varo vahingoittamasta itseäsi leikkuulangan lyhentämiseen varustetulla laitteella. Kun olet pidentänyt uutta leikkuulankaa, aseta laite aina takaisin normaaliin käyttöasentoon ennen käynnistämistä.
- ♦ Varmista aina, että ilmanvaihtoaukot ovat puhtaita.

- ♦ Älä säilytä paristoja tiloissa, joissa lämpötila voi nousta yli 40 °C:een.
- ♦ Lataa akku paikassa, jonka lämpötila on vähintään +10 °C ja enintään +40 °C.
- ♦ Lataa akku ainoastaan työkalun mukana toimitetulla laturilla.
- ♦ Noudata akkujen hävittämisessä Ympäristönsuojelu-kohdassa esitetyjä ohjeita.

## Laturit

- ♦ Käytä BLACK+DECKER-laturia vain laitteen mukana toimitetun akun lataamiseen. Muut akut voivat räjähtää ja aiheuttaa henkilövahinkoja tai aineellisia vahinkoja.
- ♦ Älä koskaan yritä ladata akkuja, joita ei ole tarkoitettu ladattaviksi.
- ♦ Vaihda vialliset johdot välittömästi ehjiin.
- ♦ Älä altista laturia vedelle.
- ♦ Älä avaa laturia.
- ♦ Älä työnnä mitään laturin sisään.



Laturi on tarkoitettu ainoastaan sisäkäyttöön.



Lue käyttöohjeet huolellisesti ennen laitteen käyttöä.

## Sähköturvallisuus



Laturi on kaksoiseristetty, joten erillistä maadoitusta ei tarvita. Tarkista aina, että verkkojännite vastaa arvokilvessä ilmoitettua jännitettä. Älä yritä vaihtaa laturiin tavallista verkkovirran pistoketta.

## Akkuja ja laturia koskevat lisäturvaohjeet

### Akut

- ♦ Älä koskaan yritä avata mistään syystä.
- ♦ Älä anna akun kastua.

- ◆ Jos virtajohto vahingoittuu, sen vaihtaminen on turvallisuussyistä jätettävä valmistajan tai valtuutetun BLACK+DECKER-huollon tehtäväksi.

## Laitteessa olevat merkinnät

Työkaluun on merkitty päivämääräkoodi sekä seuraavat varoitusmerkit:



Lue käyttöohje ennen laitteen käyttöönottoa.



Käytä suojalaseja, kun käytät laitetta.



Käytä asianmukaisia kuulosuojaimia, kun käytät laitetta.



Irrota akku aina laitteesta ennen sen puhdistusta tai huoltoa.



Varo sinkoilevia esineitä. Pidä sivulliset poissa



leikkausalueelta.



Älä käytä laitetta sateessa tai erittäin kosteissa olosuhteissa.



Direktiivin 2000/14/EY mukainen taattu ääniteho.

## Yleiskuvasu

Tässä laitteessa on kaikki tai joitakin seuraavista ominaisuuksista.

1. Liipaisin
2. Lukituspainike
3. Kahva
4. Apukahva
5. Korkeudensäätörengas
6. Trimmauspää
7. Reunaohjain
8. Suojus
9. Kelakotelo
10. Akku

## Akun lataaminen (Kuva A)

Lataa akku ennen ensimmäistä käyttökertaa ja aina, kun se ei enää tuota riittävästi virtaa toimintoihin, jotka aiemmin sujuivat helposti.

Akku voi lämmetä ladattaessa. Tämä on normaalia, eikä se ole merkki mistään viasta.

**Varoitus!** Älä lataa akkua alle 10 °C tai yli 40 °C asteen lämpötilassa. Suositeltava latauslämpötila on 24 °C.

**Huomautus:** Laturi ei lataa akkua, jos akun kennon lämpötila on alle 10 °C tai yli 40 °C.

Akku tulee kuitenkin jättää laturiin. Laturi aloittaa lataamisen automaattisesti, kun kennon lämpötila nousee tai laskee riittävästi.

- ◆ Yhdistä laturi sopivaan pistorasiaan ennen kuin laitat siihen akun.
- ◆ Aseta akku laturiin.



Vihreä LED-merkkivalo vilkkuu käynnissä olevan latauksen merkiksi.



Kun lataus on valmis, vihreä LED-valo jää palamaan jatkuvasti. Akku on täysin ladattu ja sitä voidaan käyttää heti tai sen voi jättää laturiin.

**Varoitus!** Lataa tyhjenneet akut mahdollisimman pian käytön jälkeen, muutoin akun käyttöikä voi lyhentyä.

## Laturin vianmääritys

Tämä laturi on tarkoitettu havaitsemaan joitakin akkuun tai virtalähteeseen liittyviä ongelmia. Ongelmista ilmoittaa yksi eri tahtiin vilkkuva LED-merkkivalo.

## Viallinen akku



Laturi voi havaita heikkokuntoisen tai vaurioituneen akun. Punainen LED-merkkivalo vilkkuu merkissä ilmoitetulla tavalla. Jos näet tämän heikosta akun kunnosta ilmoittavan vilkkumisen, lopeta akun lataus. Vie se huoltopalveluun tai kierrätyspisteeseen.

## Akun kuuma-/kylmäviive



Kun laturi tunnistaa liian kuumen tai kylmän akun, se käynnistää automaattisesti akun kuuma-/kylmäviiveen, jolloin lataus käynnistyy vasta sitten, kun akku on saavuttanut oikean lämpötilan. Tämän jälkeen laturi kytkeytyy automaattisesti akun lataustilaan. Tämä toiminto takaa akun maksimaalisen käyttöiän. Punainen LED-merkkivalo vilkkuu merkissä ilmoitetulla tavalla, kun kuuma-/kylmäviive on havaittu.

## Akun jättäminen laturiin

Akku voidaan jättää laturiin, kun merkkivalo palaa. Laturi pitää akun käyttövalmiina ja ladattuna.

## Tärkeitä huomautuksia lataamiseen

- ◆ Pisin käyttöikä ja paras suorituskyky saavutetaan, kun akku ladataan lämpötilassa 18 °C - 24 °C (65 °F - 75 °F). ÄLÄ lataa akkua alle +4,5 °C (+40 °F) tai yli +40,5 °C (+105 °F) lämpötilassa. Tämä on tärkeää ja se estää akun vakavat vauriot.
- ◆ Laturi ja akku voivat kuumentua latauksen aikana. Tämä on normaalia, eikä ole osoitus ongelmasta. Jotta akku jäähtyisi käytön jälkeen, vältä asettamasta laturia tai akkua lämpimään ympäristöön, kuten metallikoteloon tai eristämättömän perävauunun päälle.
- ◆ Jos akku ei lataudu oikein:
  - ◆ Tarkista pistorasian sähkövirta kytkemällä siihen lamppu tai jokin muu laite.
  - ◆ Tarkista valojen sammuttamisen yhteydessä virran katkaisevaa valokytintä liitetty pistorasiaan.
  - ◆ Siirrä laturi ja akku paikkaan, jossa ympäristölämpötila on noin 18 °C - 24 °C (65 °F - 75 °F).
  - ◆ Jos latausongelmat jatkuvat, vie laite akun ja laturin ohella paikalliseen huoltopalveluun.
- ◆ Akku täytyy ladata uudelleen, kun se ei enää tuota riittävästi tehoa töissä, joka voitiin aikaisemmin tehdä helposti. ÄLÄ JATKA TYÖKALUN KÄYTTÖÄ näissä olosuhteissa. Noudata latausohjeita. Voit halutessasi myös ladata osittain käytetyn akun milloin tahansa, ilman että siitä olisi haittaa akulle.
- ◆ Vieraat johtavat aineet, kuten teräsilla, alumiinifolio tai metallihiukkaskertymät, niihin kuitenkaan rajoittumatta, on pidettävä poissa laturin aukoista. Irrota laturi aina tehonsyötöstä, kun laturissa ei ole akkuyksikköä. Irrota laturi tehonsyötöstä ennen kuin yrität puhdistaa sitä.
- ◆ Älä pakasta tai upota veteen tai muihin nesteisiin.

**Varoitus!** Sähköiskuvaara. Älä päästä nestettä laturin sisään. Älä koskaan yritä avata akkuyksikköä mistään syystä. Jos akun muovikotelo rikkoutuu tai halkeaa, palauta se huoltopalveluun kierrätystä varten.

## Akun asentaminen ja poistaminen laitteesta

**Varoitus!** Varmista ennen akun irrottamista tai asentamista, että lukituspainike on pois päältä virtakytkimen tahattoman käytön estämiseksi.

## Akun asentaminen

Aseta akku (10) laitteeseen, kunnes kuulet napsahduksen (kuva B). Varmista, että akku on kokonaan paikoillaan ja lukittu paikoilleen.

## Akun poistaminen

Paina akun vapautuspainiketta (11) kuvan C mukaisesti ja vedä akku irti laitteesta.

## Asennus

**Varoitus!** Varmista ennen trimmerin kokoamista, että sen virta on katkaistu ja akku on irrotettu.

**Vaaditut asennusvälineet (eivät kuulu pakkaukseen):**  
Ristipäämeisseli.

## Suojuksen asentaminen (Kuvat D, E)

**Varoitus!** Irrota akku laitteesta ennen kuin yrität kiinnittää suojusta, reunaohjainta tai kahvaa. Älä koskaan käytä laitetta, jos suojus on pois paikoiltaan. Suojuksen on oltava aina paikoillaan laitteessa käyttäjän suojaamiseksi.

- ◆ Irrota ruuvi suojuksesta.
- ◆ Käännä trimmeri ylösalaisin niin, että kelan suojakorkki (16) osoittaa ylöspäin.
- ◆ Käännä suojus (8) ylösalaisin ja työnnä se kokonaan moottorikotelon (12) päälle. Varmista, että suojuksen kielekkeet (13) liukuvat moottorin kotelossa oleviin reikiin (14) kuvan D mukaisesti.
- ◆ Liu'uta suojusta eteenpäin, kunnes se napsahtaa paikalleen.
- ◆ Viimeistele suojuksen asennus kiertämällä suojuksen ruuvi paikalleen ja kiristämällä se ristipäämeisselillä kuvan E mukaisesti.
- ◆ Kun suojus on asennettu, poista suojuksen reunassa oleva langan leikkuterän peite.

**Varoitus!** Älä käytä työkalua, jos suojus ei ole kunnolla paikallaan.

## Korkeussäätö (Kuvat F, G–G3)

**Varoitus!** Säädä trimmerin pituus oikean työasennon saavuttamiseksi kuvien G - G3 mukaisesti.

- ◆ Trimmerin yleinen korkeus voidaan säätää löysäämällä korkeudensäätörengasta (5) ja kiertämällä sitä kuvassa F olevan nuolen suuntaan.
- ◆ Siirrä yläkoteloa suoraan ylös- tai alaspäin. Kun olet saavuttanut haluamasi korkeuden, kiristä rengas kiertämällä sitä vastakkaiseen suuntaan kuvan F nähdän.

## Leikkuulangan vapauttaminen

Leikkuulanka on teipattu kiinni kelakoteloon kuljetuksen ajaksi.

- ◆ Irrota leikkuusiiman kelakoteloon kiinnittävä teippi.

## Käyttö

**Varoitus!** Käytä aina asianmukaisia suojalaseja.

**Varoitus!** Käytä vain trimmeriin suositeltua leikkuulankaa.

**Huomaa:** tarkista leikattava alue ja poista mahdolliset langat, johdot tai lankaa muistuttavat esineet, jotka voivat sotkeutua pyörivään lankaan tai kelaan. Varo erityisesti mahdollisia lankoja, jotka voivat taipua ulospäin laitteen tielle, kuten verkkoaidan alaosassa olevia väkisiä.

## Käynnistäminen ja pysäyttäminen

- ◆ Käynnistä laite painamalla lukituspainiketta (2) ja puristamalla liipaisinta (1).
- ◆ Sammuta laite vapauttamalla liipaisin.

## Trimmerin käyttö (Kuvat F, G–G3)

- ◆ Kun trimmeri on käynnistetty, kallista sitä ja käännä sitä kevyesti puolelta toiselle kuvan G osoittamalla tavalla.
- ◆ Pidä trimmeriä leikkuun ajan 5–10 asteen kulmassa kuvan G1 osoittamalla tavalla. Älä ylitä 10 asteen kulmaa (kuva G2). Leikkaa langan kärjellä. Reunaohjain (7) auttaa säilyttämään riittävän etäisyyden koviin pintoihin.

- ◆ Pidä jalat aina vähintään 600 mm:n etäisyydellä suojuksesta kuvan G3 mukaisesti. Jos etäisyys jää liian pieneksi, säädä trimmerin kokonaiskorkeutta kuvan F osoittamalla tavalla.

### Särmäystilaan siirtyminen (Kuvat H, I)

**Varoitus!** Kun trimmeriä käytetään reuna-leikkaamiseen, leikkulangasta saattaa sinkoutua kiviä, metallikappaleita ja muita esineitä suurella nopeudella. Trimmerin ja suojuksen muotoilu vähentää lentävistä esineistä aiheutuvaa vaaraa. **HUOLEHDI** kuitenkin, että kanssaihmiset ja lemmikkieläimet pysyvät vähintään 30 metrin päässä. Paras leikkuutullos saavutetaan, kun reunuksen syvyys on yli 50 mm.

- ◆ Irrota akku trimmeristä.
- ◆ Käytä trimmeriä reuna-leikkaamiseen kiertämällä rengasta (5) kuvan H osion 1 mukaisesti.
- ◆ Pidä kiinni metalliakselista ja kierrä alakotelo 180° osion 2 mukaisesti.
- ◆ Kierrä rengasta, kunnes se on tiukalla.
- ◆ Nosta reunaohjain (7) reuna-asentoon kuvan I mukaisesti.
- ◆ Aseta trimmeri pinnan päälle kuvan J mukaisesti.
- ◆ Palauta trimmausasetto löysäämällä lukitusrengasta ja kiertämällä alakotelo 180° takaisin. Kierrä rengasta, kunnes se on tiukalla.

### Hyödyllisiä vinkkejä leikkaamiseen

- ◆ Leikkaa langan päällä; älä pakota langan päätä leikkaamattomaan ruuhon. Käytä reunaohjainta aitojen, rakennusten ja kukkapenkien vierellä parhaita tuloksia varten.
- ◆ Verkko- ja puuaidat kuluttavat langaa enemmän ja voivat jopa katkaista sen. Lanka voi kuluu nopeasti kivi- ja tiili-aitojen, reunaakivien sekä puukappaleiden seurauksena.
- ◆ Älä anna kelan suojakorkin laahata maassa tai muita pintoja pitkin.
- ◆ Jos kasvu on huomattavaa, leikkaa ylhäältä alaspäin ylitämättä 300 mm:n korkeutta.
- ◆ Kallista trimmeriä leikattavaa aluetta kohti; tämä on paras leikkausalue.
- ◆ Trimmeri leikkaa, kun yksikköä viedään oikealta vasemmalle. Täten roskat eivät sinkoudu käyttäjään.
- ◆ Vältä puita ja pensaita. Lanka voi helposti vahingoittaa puun kuorta, puulistoja, sivuraitoja ja aidan pylvyitä.

### Leikkauslangan/langan syöttäminen

Trimmerin toimii halkaisijaltaan 1,65 mm:n pyöreällä nailonlangalla. Nailonlangan päät rispaantuvat ja kuluvat käytön aikana ja erityinen automaattisyöttöinen kela syöttää ja säätää automaattisesti oikean määrän uutta langaa. Leikkuulanka kuluu nopeammin ja vaatii useammin tapahtuvaa syöttöä, kun leikkaat tai reuna-leikkaat jalkakäytävien tai muiden hiovien pintojen lähellä tai tavallista kovempia rikkaruohoja. Pitkälle kehittynyt automaattinen langan syöttöjärjestelmä tunnistaa langan syöttötarpeen syöttäen ja säätäen oikean määrän langaa aina tarvittaessa. Älä iske yksikköä maahan yrittäessäsi syöttää langaa tai tehdä jotakin muuta.

### Tukoksien poistaminen ja sotkeutuneen langan selvittäminen (Kuvat K, L, M)

**Varoitus!** Irrota trimmerin akku ennen asennustoimia, säätöjä tai lisävarusteiden vaihtamista. Tällä tavoin pienennetään laitteen tahattoman käynnistytksen mahdollisuutta. Langan syöttönapa voi aika ajoin tukkiutua mahan tai muun materiaalin vuoksi ja lanka voi sen seurauksena juuttua kiinni, varsinkin paksuja tai varrellisia rikkaruohoja leikatessa. Poista tukos alla olevia ohjeita noudattamalla.

- ◆ Irrota akku trimmeristä.
- ◆ Paina vapautuskielekkäitä (15) lankakelan suojakorkissa (16) kuvan K mukaisesti ja poista korkki vetämällä se irti.
- ◆ Vedä nailonlankakela ulos ja poista mahdolliset katkenneet langat tai roskat kelan alueelta.
- ◆ Aseta kela ja lanka kelan korkkiin, jonka "lukitusaukot" ovat kuvan L1 mukaisesti.
- ◆ Aseta langan pää kelakotelossa olevan oikean reiän läpi. Vedä löysä lanka reiän läpi, kunnes se tulee ulos asennusaukoista kuvan L2 mukaisesti.
- ◆ Paina kela kevyesti alaspäin ja kierrä sitä, kunnes se putoaa paikoilleen, napsautaa se sitten paikoilleen. (Kun kela on paikoillaan, se pyörii muutaman asteen verran vapaasti vasemmalle ja oikealle).
- ◆ Varo, ettei lanka juutu kelan alapuolelle.
- ◆ Kohdista kelan korkin kielekkeet kelakotelossa oleviin aukkoihin.
- ◆ Napsauta kelan korkki takaisin kuvan M mukaisesti painamalla korvakkeita ja painamalla se kelakoteloon.

**Huomautus:** Varmista, että kansi on kokonaan paikoillaan.

Varmista, että kuulet kaksi napsahdusta, jotta molemmat korvakkeet ovat oikein paikoillaan. Käynnistä laite. Muutaman sekunnin kuluessa kuulet nailonlangan leikkautuvan automaattisesti oikean pituiseksi.

**Varoitus!** Jos leikkuulanka ylettyy leikkuuterän yli, leikkaa se lyhyemmäksi niin, että se juuri ylettyy terään. Siten voit välttää laitteen vahingoittumisen.

**Huomautus:** Muita varaosia (esimerkiksi suojuksia ja kelan suojakorkkeja) on saatavana BLACK+DECKERin valtuutetuista huoltoilikeistä. Katso lähimmän huoltopalvelun yhteystiedot osoitteesta [www.blackanddecker.com](http://www.blackanddecker.com).

**Varoitus!** Sellaisten lisävarusteiden käyttö, joita BLACK+DECKER ei ole suositellut käytettäväksi laitteen kanssa, saattaa johtaa vaaratilanteeseen.

### Kelan vaihtaminen (Kuvat K, L, M, N)

- ◆ Poista akku laitteesta.
- ◆ Pidä kielekkeitä (15) painettuina ja poista suojakorkki (16) kelakotelosta (17) (kuva K).
- ◆ Tartu yhdellä kädellä tyhjään kelaan ja toisella kädellä kelakoteloon ja vedä kela ulos.
- ◆ Jos kotelon pohjassa oleva vipu (18) (kuva N) irtoaa, laita se oikein paikalleen ennen uuden kelan asettamista koteloon.
- ◆ Poista kaikki lika ja ruoho kelasta ja kotelosta.
- ◆ Vapauta leikkuulangan pää ja pujota lanka reikään (L2) kuvan L mukaisesti.
- ◆ Työnnä uusi kela kotelon napaan (19) (kuva N). Kierrä kela hieman niin, että se kiinnittyy. Langan on tultava ulos kotelosta noin 136 mm:n verran.

- ◆ Kohdista kelan suojakorkin kielekkeet kotelon koloihin (kuva M).
- ◆ Paina suojakorkki koteloon, kunnes se napsahtaa kiinni paikalleen.

## Kelan kelaaminen irtolangasta (Kuvat O, P, Q)

Irtolangaa on myös saatavana paikallisilta jälleenmyyjiltä. Huomautus: Käsin irtolangasta kierretyt kelat sokeutuvat helpommin kuin BLACK+DECKERin teollisesti kierretyt kelat. Parhaan tuloksen saamiseksi on suositeltavaa käyttää teollisesti kierrettyjä keloja. Asenna irtolangka noudattamalla seuraavia ohjeita:

- ◆ Poista akku laitteesta.
- ◆ Poista tyhjä kela trimmeristä noudattamalla osion "Kelan vaihtaminen" ohjeita.
- ◆ Poista kaikki vanha leikkuulanka kelasta.
- ◆ Taivuta leikkuulangan pää kaksinkerroin noin 19 milimetrin matkalta (20). Työnnä leikkuulanka vapaavaihtaiseen langan lukituskoloon (21) kuvan O mukaisesti.
- ◆ Aseta irtolangan 19 mm:n pää kelassa olevaan reikään (22) aukon lähellä kuvan P mukaisesti. Varmista, että lanka on kireällä kela vasten kuvan P mukaisesti.
- ◆ Kierrä leikkuulanka kelalle kelassa olevan nuolen osoittamaan suuntaan. Kela lankaa tasaisesti kerroksittain. Älä aseta sitä ristikkäin (kuva Q).
- ◆ Kun kelattu leikkuulanka on syvennyksen (23) tasalla, katkaise lanka (kuva P).
- ◆ Kiinnitä kela laitteeseen noudattamalla osion "Kelan vaihtaminen" ohjeita.

## Huolto

Verkkojohdolla varustettu tai verkkojohdoton BLACK+DECKER-laite on suunniteltu toimimaan mahdollisimman kauan mahdollisimman vähällä huollolla. Oikealla huollolla ja säännöllisellä puhdistuksella työkalu/laite säilyttää suorituskykynsä.

Laturi ei tarvitse säännöllisen puhdistamisen lisäksi mitään muuta huoltoa.

**Varoitus!** Ennen verkkojohdolla varustetun tai verkkojohdotonman sähkötyökalun huoltoa toimi seuraavasti.

- ◆ Sammuta laite/työkalu ja irrota se verkkovirrasta.
- ◆ Jos laitteessa/työkalussa on erillinen akku, sammuta laite/työkalu ja irrota sen akku.
- ◆ Jos akku on kiinteä, käytä akku täysin loppuun ja sammuta laite sitten.
- ◆ Irrota laturi pistorasiasta ennen laturin puhdistamista. Laturi ei tarvitse säännöllisen puhdistamisen lisäksi mitään muuta huoltoa.
- ◆ Puhdista työkalun, laitteen ja laturin ilma-aukot säännöllisesti pehmeällä harjalla tai kuivalla kangasliinalla.
- ◆ Puhdista moottorin kotelo säännöllisesti kostealla rätillä. Älä käytä hankaavia tai liuotinpohjaisia puhdistusaineita.
- ◆ Puhdista leikkuulanka ja kela säännöllisesti pehmeällä harjalla tai kuivalla rievulla.
- ◆ Poista ruoho ja lika suojuksen alta säännöllisesti työpällä kaapimella.

## Vianetsintä

Ongelma	Ratkaisu
<b>Laite käy hitaasti.</b>	<p>Poista akku trimmeristä.</p> <p>Tarkista, että kelakotelo pääsee pyörimään esteettä. Puhdista se varovasti tarvittaessa.</p> <p>Tarkista, että leikkuulankaa ei tule ulos kelasta yli 122 cm:n verran. Jos se tulee, katkaise lanka niin, että se juuri ylettyy leikkuuterään.</p>
<b>Automaattinen langansyöttö ei syötä lankaa.</b>	<p>Lankaa syötetään enemmän, kun lanka lyhenee noin 76 mm:iin. Tarkista langansyöttö antamalla langan ohittaa kyseinen piste.</p> <p>Pidä kielekkeitä alhaalla ja poista kelan korkki kelan kanssa trimmerin päässä olevasta kelakotelosta.</p> <p>Varmista, että lanka ei mene ristiin kelassa kuten kuvassa Q. Jos lanka on mennyt ristiin, kela lankaa auki ja kela se uudelleen.</p> <p>Tarkista kelan alaosan raiteet vaurioiden varalta. Jos ne ovat vaurioituneet, vaihda kela.</p> <p>Vedä leikkuulankaa niin, että se tulee ulos kelasta noin 122 mm:n verran. Jos kella ei ole tarpeeksi lankaa, asenna uusi lankakela. Kohdista kelan suojakorkin kielekkeet kotelon reikiin. Paina kelan suojakorkki koteloon, kunnes se napsahtaa kiinni paikalleen.</p> <p>Jos leikkuulanka ylettyy leikkuuterän yli, leikkaa se lyhyemmäksi niin, että se juuri ylettyy terään. Jos automaattinen langansyöttö ei vielääkään toimi tai kela on jumissa, kokeile seuraavia toimenpiteitä:</p> <p>Puhdista kela ja kotelo huolellisesti.</p> <p>Varmista, että käytät oikeaa kooltaan ja halkaisijaltaan (2,00 mm) oikeanlaista lankaa - pienemmät ja suuremmat lankakoot vaikuttavat automaattisen syöttöjärjestelmän toimintaan.</p> <p>Irrota kela ja varmista, että kelakotelon vipu pääsee liikkumaan esteettä.</p> <p>Poista kela, pura lanka kelalta ja kierrä se sitten tasaisesti takaisin. Asenna kela takaisin koteloon.</p>
<b>Ylisyöttö</b>	<p>Varmista, että leikkaat langan päällä 177 mm:n päässä kelasta. Käytä tarvittaessa reunaohjainta riittävän välimatkan säilyttämiseksi.</p> <p>Varmista, että 10° kulma ei ylitä (kuva G1).</p>
<b>Lanka purkautuu suojakorkin tai kelan poistamisen yhteydessä</b>	<p>Varmista, että langat ovat kiinnittyneet aukkoihin (kuva L1) ennen poistamista.</p>

## Ympäristönsuojelu



Toimita tämä laite erillisröykkeyseen. Tällä symbolilla merkityjä tuotteita ja akkuja ei saa hävittää tavallisen kotitalousjätteen mukana.

Tuotteissa ja akuissa on materiaaleja, jotka voidaan ottaa talteen tai kierrättää uudelleen käyttöä varten. Kierrätä sähkölaitteet ja akut paikallisten määräyksien mukaan.

## Tekniset tiedot

		ST182320
Tulojännite	V <sub>ac</sub>	18
Kuormittamaton nopeus	min <sup>-1</sup>	9000
Paino	kg	2.05

<b>Akku</b>		BL2018
Jännite	V <sub>oc</sub>	18
Teho	Ah	2.0
Tyyppi		Li-Ion

<b>Laturi</b>		905902** (tyyppi 1)
Tulojännite	V <sub>ac</sub>	230
Lähtöjännite	V <sub>oc</sub>	18
Virta	mA	400

Käteen/käsivarteen kohdistuva painotettu värinäarvo standardin EN50636-2-91 mukaisesti:

= < 3.6 m/s, epävarmuus (K) = 1,5 m/s.

L<sub>wa</sub> (äänenpaine) 76 dB(A)

epävarmuus (K) = 2,6 dB(A)

## EY-vaatimustenmukaisuusvakuutus

KONEDIREKTIIVI  
ULKOILMAMELUDIREKTIIVI



ST182320 Langaton trimmeri

Black & Decker ilmoittaa, että tuotteet, jotka on kuvattu kohdassa Tekniset tiedot, täyttävät seuraavien direktiivien vaatimukset:

2006/42/EY, EN60335-1:2012 + A11:2014  
EN50636-2-91:2014

2000/14/EY, Nurmikkotrimmeri, L ≤ 50 cm, Liite VI  
DEKRA Certification B.V., Utrechtseweg 310,  
6802 ED Arnhem, Alankomaat  
Ilmoitetun laitoksen tunnusnumero: 0344

Ääniteho standardin 2000/14/EY  
(artikla 12, liite III, L ≤ 50 cm) mukaisesti:  
L<sub>wa</sub> (mitattu ääniteho) 88 dB(A)  
epävarmuus (K) = 2,6 dB(A)  
L<sub>wa</sub> (taattu ääniteho) 96 dB(A)

Nämä tuotteet täyttävät myös direktiivien  
2014/30/EU ja 2011/65/EU vaatimukset. Lisätietoja saa ot-  
tamalla yhteyden Black & Deckeriin seuraavassa osoitteessa.  
Tiedot ovat myös käyttöohjeen takakannessa.

Allekirjoittanut vastaa teknisten tietojen kokoamisesta tehden  
tämän ilmoituksen Black & Deckerin puolesta.

R. Laverick

Teknisen osaston johtaja  
Black & Decker Europe, 210 Bath Road, Slough,  
Berkshire, SL1 3YD  
Iso-Britannia  
15/11/2016

## Takuu

Black & Decker on vakuuttunut tuotteidensa korkeasta laa-  
dusta ja tarjoaa kuluttajille 24 kuukauden takuun, joka astuu  
voimaan ostopäivänä. Takuu on lisäys kuluttajan laillisiin oi-  
keuksiin eikä vaikuta niihin. Tämä takuu on voimassa kaikissa  
EU- ja ETA-maissa. Edellytyksenä takuun saamiselle on, että  
vaade täyttää Black & Deckerin ehdot ja että ostaja toimittaa  
ostositteen jälleenmyyjälle tai valtuutetulle huoltoliikkeelle.

Black & Deckerin kahden vuoden takuun ehdot ja lähimmän  
valtuutetun korjauspalvelun yhteystiedot ovat saatavilla osoi-  
tteessa [www.2helpU.com](http://www.2helpU.com) tai ottamalla yhteyttä paikalliseen  
Black & Deckerin toimipisteeseen tässä ohjekirjassa ilmoitet-  
tuihin osoitteisiin.

Käy verkkosivuillemme osoitteessa [www.blackanddecker.fi](http://www.blackanddecker.fi)  
ja rekisteröi uusi Black & Decker -tuotteesi saadaksesi tietoa  
uusista tuotteista ja erikoistarjouksista.



**Προβλεπόμενη χρήση**

Το χορτοκοπτικό BLACK+DECKER ST182320 που αποκτήσατε έχει σχεδιαστεί για κοπή και φινιρίσμα στα άκρα γκαζόν και για κοπή χόρτων σε περιορισμένους χώρους. Αυτή η συσκευή προορίζεται μόνο για ερασιτεχνική χρήση.

**Οδηγίες ασφαλείας****Προειδοποίηση!** Κατά τη χρήση

συσκευών που τροφοδοτούνται με ηλεκτρικό ρεύμα, θα πρέπει να λαμβάνονται πάντα οι βασικές προφυλάξεις ασφαλείας, συμπεριλαμβανομένων και των παρακάτω, για τον περιορισμό του κινδύνου πυρκαγιάς, ηλεκτροπληξίας, τραυματισμού και υλικών ζημιών.

**Προειδοποίηση!** Κατά τη χρήση της μηχανής πρέπει να τηρούνται οι κανόνες ασφαλείας. Για ασφάλεια δική σας και των παρευρισκομένων, διαβάστε αυτές τις οδηγίες πριν χρησιμοποιήσετε τη μηχανή. Φυλάξτε τις οδηγίες σε ασφαλές μέρος για μεταγενέστερη χρήση.

- ♦ Διαβάστε προσεκτικά όλο το περιεχόμενο αυτού του εγχειριδίου, πριν χρησιμοποιήσετε τη συσκευή.
- ♦ Η προβλεπόμενη χρήση περιγράφεται σε αυτό το εγχειρίδιο. Τόσο η χρήση εξαρτημάτων ή προσαρτημάτων όσο και η πραγματοποίηση οποιασδήποτε εργασίας με τη συσκευή που δεν συνιστάται σε αυτό το εγχειρίδιο οδηγιών, μπορεί να εγκυμονεί κίνδυνο σωματικών βλαβών.
- ♦ Φυλάξτε αυτό το εγχειρίδιο για μελλοντική αναφορά.

**Χρήση της συσκευής σας**

Προσέχετε πάντα όταν χρησιμοποιείτε τη συσκευή.

- ♦ Φοράτε πάντα γυαλιά ασφαλείας ή ειδικά προστατευτικά γυαλιά.

- ♦ Σε καμία περίπτωση μην επιτρέψετε σε παιδιά, σε άτομα με μειωμένες σωματικές, αισθητηριακές ή διανοητικές ικανότητες ή με έλλειψη εμπειρίας και γνώσης ή σε άτομα μη εξοικειωμένα με τις παρούσες οδηγίες να χρησιμοποιήσουν το μηχάνημα, τοπικοί κανονισμοί μπορεί να θέτουν όρια στην ηλικία του χειριστή.
- ♦ Μη χρησιμοποιείτε ποτέ τη μηχανή όταν υπάρχουν κοντά άνθρωποι και ιδιαίτερα παιδιά ή κατοικίδια ζώα.
- ♦ Μην αφήνετε παιδιά ή ζώα να πλησιάσουν στο χώρο εργασίας ή να αγγίζουν τη συσκευή.
- ♦ Όταν η συσκευή χρησιμοποιείται κοντά σε παιδιά, είναι απαραίτητη η στενή επίβλεψη.
- ♦ Αυτή η συσκευή δεν προορίζεται για χρήση από νεαρά ή αδύναμα άτομα χωρίς επίβλεψη.
- ♦ Η συσκευή αυτή δεν πρέπει να χρησιμοποιείται ως παιχνίδι.
- ♦ Χρησιμοποιείτε τη συσκευή μόνο στο φως της ημέρας ή σε καλό τεχνητό φωτισμό.
- ♦ Να χρησιμοποιείται μόνο σε θέσεις χωρίς υγρασία. Μην αφήσετε να βραχεί η συσκευή.
- ♦ Αποφεύγετε να χρησιμοποιείτε τη συσκευή σε κακές καιρικές συνθήκες, ειδικά όταν υπάρχει κίνδυνος ηλεκτρικών φαινομένων.
- ♦ Μη βυθίσετε τη συσκευή σε νερό.
- ♦ Μην ανοίξετε το περίβλημα του σώματος της συσκευής. Δεν υπάρχουν εξαρτήματα στο εσωτερικό που να επιδέχονται επισκευή από το χρήστη.

- ♦ Μη χρησιμοποιείτε τη συσκευή σε περιβάλλον όπου υπάρχει κίνδυνος έκρηξης, π.χ. με παρουσία εύφλεκτων υγρών, αερίων ή σκόνης.
- ♦ Η συσκευή πρέπει να χρησιμοποιείται μόνο με τη μονάδα τροφοδοσίας που παρέχεται με τη συσκευή.

## Υπολειπόμενοι κίνδυνοι

Κατά τη χρήση του εργαλείου μπορεί να δημιουργηθούν πρόσθετοι υπολειπόμενοι κίνδυνοι, οι οποίοι ενδέχεται να μη συμπεριλαμβάνονται στις προειδοποιήσεις ασφαλείας που εσωκλείονται.

Αυτοί οι κίνδυνοι μπορεί να προκληθούν από κακή χρήση, παρατεταμένη χρήση κλπ.

Παρά την εφαρμογή των σχετικών κανονισμών ασφαλείας και τη χρήση διατάξεων ασφαλείας, ορισμένοι υπολειπόμενοι κίνδυνοι δεν είναι δυνατό να αποφευχθούν. Σ' αυτούς περιλαμβάνονται:

- ♦ Τραυματισμοί από επαφή με περιστρεφόμενα/κινούμενα μέρη.
- ♦ Τραυματισμοί από αλλαγή οποιωνδήποτε εξαρτημάτων, λεπίδων ή αξεσουάρ.
- ♦ Σωματικές βλάβες από παρατεταμένη χρήση του εργαλείου. Όταν χρησιμοποιείτε οποιοδήποτε εργαλείο για παρατεταμένα χρονικά διαστήματα, μην παραλείπετε με κανένα τρόπο να κάνετε τακτικά διαλείμματα.
- ♦ Βλάβη της ακοής.

- ♦ Κίνδυνοι στην υγεία που προκαλούνται από την εισπνοή σκόνης, όταν χρησιμοποιείτε το εργαλείο (παραδείγμα:- όταν επεξεργάζεστε ξύλο, ειδικά δρυ, οξιά και MDF.)

## Μετά τη χρήση

- ♦ Όταν δεν χρησιμοποιείται, η συσκευή πρέπει να φυλάσσεται σε στεγνό, καλά αεριζόμενο χώρο, μακριά από παιδιά.
- ♦ Τα παιδιά δεν πρέπει να έχουν πρόσβαση σε αποθηκευμένες συσκευές.
- ♦ Όταν η συσκευή αποθηκεύεται ή μεταφέρεται μέσα σε όχημα πρέπει να τοποθετείται στο χώρο αποσκευών ή να στερεώνεται ώστε να μη μετακινείται σε περίπτωση απότομων μεταβολών της ταχύτητας ή της κατεύθυνσης του οχήματος.

## Έλεγχος και επισκευή

- ♦ Πριν από τη χρήση, ελέγξτε τη συσκευή για εξαρτήματα που παρουσιάζουν ζημιές ή ελαττώματα. Ελέγξτε αν υπάρχουν σπασμένα εξαρτήματα και οποιαδήποτε άλλα προβλήματα που θα μπορούσαν να επηρεάσουν τη λειτουργία της.
- ♦ Μη χρησιμοποιήσετε το εργαλείο εάν οποιοδήποτε εξάρτημα παρουσιάζει ζημιά ή ελάττωμα.
- ♦ Φροντίστε να γίνει η επισκευή ή η αντικατάσταση των τυχόν ελαττωματικών εξαρτημάτων από εξουσιοδοτημένο κέντρο επισκευών.
- ♦ Μην επιχειρήσετε ποτέ να αφαιρέσετε ή να αντικαταστήσετε οποιοδήποτε

εξάρτημα, εκτός από αυτά που καθορίζονται στο παρόν εγχειρίδιο.

## Ασφάλεια τρίτων

- Αυτή η συσκευή μπορεί να χρησιμοποιηθεί από παιδιά ηλικίας 8 ετών και άνω καθώς και από άτομα με μειωμένες σωματικές, αισθητικές ή διανοητικές ικανότητες ή άτομα χωρίς εμπειρία και γνώσεις, μόνο εφόσον επιτηρούνται ή τους έχουν δοθεί οδηγίες σχετικά με την ασφαλή χρήση της συσκευής και έχουν κατανοήσει τους πιθανούς κινδύνους. Τα παιδιά δεν πρέπει να παίζουν με τη συσκευή. Ο καθαρισμός και η συντήρηση δεν πρέπει να γίνεται από παιδιά χωρίς επίβλεψη.
- Τα παιδιά πρέπει να επιτηρούνται για να διασφαλίζεται ότι δεν παίζουν με τη συσκευή.

## Δόνηση

Η δηλωμένη τιμή εκπομπής δόνησης που αναφέρεται στα τεχνικά χαρακτηριστικά και τη δήλωση συμμόρφωσης έχει μετρηθεί σύμφωνα με μια τυποποιημένη μέθοδο δοκιμής που παρέχεται από το πρότυπο EN50636 και μπορεί να χρησιμοποιηθεί για τη σύγκριση ενός εργαλείου με ένα άλλο. Η δηλωμένη τιμή εκπομπής δόνησης μπορεί επίσης να χρησιμοποιηθεί σε έναν προκαταρκτικό προσδιορισμό της έκθεσης.

**Προειδοποίηση!** Η τιμή εκπομπής δόνησης κατά την πραγματική χρήση του ηλεκτρικού εργαλείου μπορεί να διαφέρει από τη δηλωμένη τιμή, ανάλογα με το τρόπο που χρησιμοποιείται το εργαλείο. Η στάθμη δόνησης μπορεί να αυξηθεί πάνω από τη στάθμη που έχει δηλωθεί.

Κατά τον προσδιορισμό της έκθεσης σε δόνηση για τον καθορισμό των απαιτούμενων μέτρων ασφάλειας σύμφωνα με την οδηγία 2002/44/ΕΚ για την προστασία προσώπων που χρησιμοποιούν συχνά ηλεκτρικά εργαλεία στην εργασία τους, μια προσεγγιστική εκτίμηση της έκθεσης σε δόνηση πρέπει να λαμβάνει υπόψη τις πραγματικές συνθήκες χρήσης και τον τρόπο χρήσης του εργαλείου, συμπεριλαμβανομένων και όλων των επιμέρους τμημάτων του κύκλου εργασίας, όπως, πόσες φορές τέθηκε το εργαλείο εκτός λειτουργίας, πότε είναι σε λειτουργία χωρίς φορτίο επιπρόσθετα στο χρόνο πίεσης της σκανδάλης.

## Συμπληρωματικές οδηγίες ασφαλείας για τα χορτοκοπτικά με μακριά λαβή

**Προειδοποίηση!** Τα εξαρτήματα κοπής συνεχίζουν να περιστρέφονται και μετά την απενεργοποίηση του μοτέρ.

- Εξοικειωθείτε με τα χειριστήρια και τη σωστή χρήση της συσκευής.
- Πάντα να αφαιρείτε την μπαταρία από τη συσκευή όταν η συσκευή είναι χωρίς επιτήρηση, πριν καθαρίσετε μια απόφραξη, πριν τον καθαρισμό και τη συντήρηση, μετά από χτύπημα ξένου αντικειμένου ή αν η συσκευή αρχίσει να δονείται περισσότερο από το φυσιολογικό.
- Φοράτε γερά παπούτσια ή μπότες για να προστατέψετε τα πόδια σας.
- Φοράτε μακρύ παντελόνι για να προστατεύετε τα πόδια σας.

- ♦ Πριν τη χρήση της συσκευής να ελέγχετε ότι η διαδρομή κοπής είναι απαλλαγμένη από κλαδιά, πέτρες, σύρματα και άλλα εμπόδια.
- ♦ Χρησιμοποιείτε τη συσκευή μόνο σε όρθια θέση, με το νήμα κοπής κοντά στο έδαφος. Ποτέ μην ενεργοποιήσετε τη συσκευή σε οποιαδήποτε άλλη θέση.
- ♦ Να μετακινείστε αργά κατά τη χρήση της συσκευής. Να έχετε υπόψη σας ότι το φρεσκοκομμένο γρασίδι είναι νωπό και ολισθηρό.
- ♦ Μην εργάζεστε σε τοποθεσίες με απότομη κλίση. Σε εδάφη με κλίση, να εργάζεστε κατά το πλάτος της κλίσης, όχι προς τα πάνω και κάτω.
- ♦ Μη διασχίζετε ποτέ μονοπάτια ή δρόμους με χαλίκι με τη συσκευή σε λειτουργία.
- ♦ Μην αγγίζετε ποτέ το νήμα κοπής ενώ λειτουργεί η συσκευή.
- ♦ Μην αφήσετε κάτω τη συσκευή έως ότου το νήμα κοπής έχει ακινητοποιηθεί τελείως.
- ♦ Χρησιμοποιείτε μόνο τον κατάλληλο τύπο νήματος κοπής. Ποτέ μη χρησιμοποιήσετε μεταλλικό νήμα κοπής ή πετονιά ψαρέματος.
- ♦ Προσέχετε να μην αγγίξετε ποτέ τη λεπίδα κοπής του νήματος.
- ♦ Κρατάτε πάντα τα χέρια και τα πόδια σας μακριά από το νήμα κοπής, ειδικά κατά την ενεργοποίηση του μοτέρ.
- ♦ Πριν χρησιμοποιήσετε τη συσκευή και μετά από οποιαδήποτε πρόσκρουση, ελέγχετε για σημάδια φθοράς ή ζημιάς και επισκευάστε εάν είναι απαραίτητο.

- ♦ Μη χρησιμοποιήσετε ποτέ τη συσκευή με προστατευτικά που έχουν υποστεί ζημιά ή χωρίς προστατευτικά στη θέση τους.
- ♦ Προσέχετε να μην τραυματιστείτε από οποιαδήποτε διάταξη έχει τοποθετηθεί για την κοπή του νήματος. Μετά το τέντωμα νέου νήματος κοπής, πάντοτε επαναφέρετε τη μηχανή στην κανονική της θέση λειτουργίας πριν την ενεργοποιήσετε.
- ♦ Πάντα να διασφαλίζετε ότι οι εγκοπές εξαιρισμού διατηρούνται καθαρές από υπολείμματα.

## Πρόσθετες οδηγίες ασφαλείας για μπαταρίες και φορτιστές

### Μπαταρίες

- ♦ Ποτέ μην επιχειρήσετε να τις ανοίξετε, για κανένα λόγο.
- ♦ Μην εκθέτετε την μπαταρία σε νερό.
- ♦ Μην αποθηκεύετε σε θέσεις όπου η θερμοκρασία ενδέχεται να υπερβεί τους 40 °C.
- ♦ Η φόρτιση πρέπει να γίνεται μόνο σε θερμοκρασίες περιβάλλοντος μεταξύ 10 °C και 40 °C.
- ♦ Η φόρτιση πρέπει να γίνεται μόνο με το φορτιστή που παρέχεται μαζί με το εργαλείο.
- ♦ Κατά την απόρριψη των μπαταριών, να ακολουθείτε τις οδηγίες που παρέχονται στην ενότητα «Προστασία του περιβάλλοντος».

## Φορτιστές

- ♦ Ο φορτιστής BLACK+DECKER πρέπει να χρησιμοποιείται αποκλειστικά και μόνο για τη φόρτιση της μπαταρίας στο εργαλείο που συνόδευε. Άλλες μπαταρίες ενδέχεται να σκάσουν, προκαλώντας τραυματισμό ατόμων και ζημιές.
- ♦ Μην επιχειρήσετε ποτέ να φορτίσετε μη επαναφορτιζόμενες μπαταρίες.
- ♦ Να φροντίζετε να αντικαθίστανται άμεσα τα καλώδια που έχουν υποστεί ζημιά.
- ♦ Μην εκθέτετε το φορτιστή σε νερό.
- ♦ Μην ανοίξετε το φορτιστή.
- ♦ Μην εισάγετε οποιαδήποτε αντικείμενα μέσα στο φορτιστή.



Ο φορτιστής προορίζεται για χρήση μόνο σε εσωτερικούς χώρους.



Διαβάστε το εγχειρίδιο οδηγιών πριν τη χρήση.

## Ασφαλής χρήση ηλεκτρικού ρεύματος



Ο φορτιστής σας φέρει διπλή μόνωση. Επομένως, δεν απαιτείται αγωγός γείωσης. Ελέγχετε πάντα ότι η τάση ρεύματος δικτύου συμφωνεί με αυτήν που αναγράφεται στην πινακίδα τεχνικών χαρακτηριστικών. Ποτέ μην επιχειρήσετε να αντικαταστήσετε το φορτιστή με κανονικό φως ρεύματος δικτύου.

- ♦ Αν το καλώδιο ρεύματος έχει υποστεί ζημιά, η αντικατάστασή του πρέπει να γίνει από τον κατασκευαστή ή από ένα εξουσιοδοτημένο κέντρο επισκευών της BLACK+DECKER, ώστε να μην αποτελέσει κίνδυνο.

## Ετικέτες στη συσκευή

Η συσκευή φέρει τα παρακάτω προειδοποιητικά σύμβολα μαζί με τον κωδικό ημερομηνίας:



Διαβάστε το εγχειρίδιο οδηγιών πριν από τη λειτουργία.



Φοράτε γυαλιά ασφαλείας ή ειδικά προστατευτικά γυαλιά όταν χρησιμοποιείτε αυτή τη συσκευή.



Φοράτε ωτασπίδες κατά το χειρισμό του εργαλείου.



Πάντα να αφαιρείτε την μπαταρία από τη συσκευή πριν από οποιαδήποτε εργασία καθαρισμού ή συντήρησης.



Προσέχετε για τυχόν αντικείμενα που εκσφενδονίζονται. Μην αφήνετε να πλησιάσουν άλλα άτομα στην περιοχή κοπής.



Μην εκθέτετε τη συσκευή σε βροχή ή υψηλά επίπεδα υγρασίας.



Εγγυημένη ηχητική ισχύς σύμφωνα με την Οδηγία 2000/14/ΕΚ.

## Χαρακτηριστικά

Η παρούσα συσκευή περιλαμβάνει μερικά ή όλα από τα παρακάτω στοιχεία.

1. Σκανδάλη
2. Κουμπί ασφάλισης σε απενεργοποιημένη κατάσταση
3. Λαβή
4. Βοηθητική λαβή
5. Κολάρο ρύθμισης ύψους
6. Κεφαλή κοπτικού
7. Οδηγό άκρων
8. Προστατευτικό
9. Περιβλήμα καρουλιού
10. Μπαταρία

## Φόρτιση της μπαταρίας (Εικ. Α)

Η μπαταρία πρέπει να φορτιστεί πριν την πρώτη χρήση και όταν δεν μπορεί να παρέχει επαρκή ισχύ σε εργασίες που πριν γίνοντουσαν εύκολα.

Η μπαταρία μπορεί να θερμαίνεται κατά τη φόρτιση. Κάτι τέτοιο είναι φυσιολογικό και δεν υποδηλώνει πρόβλημα.

**Προειδοποίηση!** Μην φορτίζετε την μπαταρία σε θερμοκρασίες περιβάλλοντος κάτω από 10 °C ή πάνω από 40 °C. Η συνιστώμενη θερμοκρασία φόρτισης είναι περίπου 24 °C.

**Σημείωση:** Ο φορτιστής δε θα φορτίσει μια μπαταρία με θερμοκρασία κυμέλης κάτω από περίπου 10 °C ή πάνω από 40 °C.

Η μπαταρία θα πρέπει να μείνει στο φορτιστή και αυτός θα αρχίσει να τη φορτίζει αυτόματα μόλις η θερμοκρασία κυμέλης αυξηθεί ή μειωθεί αντίστοιχα.

- ◆ Συνδέστε το φορτιστή σε κατάλληλη πρίζα πριν τοποθετήσετε το πακέτο μπαταρίας.
- ◆ Εισάγετε το πακέτο μπαταρίας στο φορτιστή.



Η πράσινη λυχνία LED θα αναβοσβήνει υποδεικνύοντας ότι η μπαταρία φορτίζεται.



Η ολοκλήρωση της φόρτισης υποδεικνύεται όταν η κόκκινη φωτεινή ένδειξη παραμένει αναμμένη συνεχώς. Τότε το πακέτο είναι πλήρως φορτισμένο και μπορείτε να το χρησιμοποιήσετε ή να το αφήσετε τοποθετημένο στο φορτιστή.

**Προειδοποίηση!** Επαναφορτίζετε τις αποφορτισμένες μπαταρίες το συντομότερο δυνατόν μετά τη χρήση, διαφορετικά μπορεί να μειωθεί πολύ η διάρκεια ζωής τους.

## Διαγνωστικά φορτιστή

Αυτός ο φορτιστής έχει σχεδιαστεί ώστε να ανιχνεύει ορισμένα προβλήματα που μπορούν να προκύψουν με πακέτα μπαταριών ή με την πηγή ρεύματος. Τα προβλήματα υποδεικνύονται από μια λυχνία LED που αναβοσβήνει με διαφορετικά μοτίβα αναλαμπών.

## Προβληματική μπαταρία



Ο φορτιστής μπορεί να ανιχνεύσει ότι μια μπαταρία είναι εξασθενημένη ή έχει υποστεί ζημιά. Η κόκκινη λυχνία LED αναβοσβήνει με το μοτίβο αναλαμπών που υποδεικνύεται στην ετικέτα. Αν δείτε αυτό το μοτίβο αναλαμπών που αντιστοιχεί σε προβληματική μπαταρία, μη συνεχίσετε τη φόρτιση της μπαταρίας. Επιστρέψτε την σε κέντρο σέρβις ή σε θέση συλλογής για ανακύκλωση

## Καθυστέρηση θερμού/ψυχρού πακέτου μπαταρίας



Αν ο φορτιστής ανιχνεύσει μπαταρία με υπερβολικά υψηλή ή χαμηλή θερμοκρασία, ξεκινά αυτόματα μια Καθυστέρηση θερμού/ψυχρού πακέτου μπαταρίας, αναστέλλοντας τη φόρτιση έως ότου η μπαταρία έχει φθάσει σε κατάλληλη θερμοκρασία. Αφού συμβεί αυτό, ο φορτιστής μεταβαίνει αυτόματα σε λειτουργία φόρτισης του πακέτου. Αυτή η λειτουργία διασφαλίζει τη μέγιστη διάρκεια ζωής της μπαταρίας. Η κόκκινη λυχνία LED αναβοσβήνει με το μοτίβο αναλαμπών που υποδεικνύεται στην ετικέτα όταν ανιχνευτεί η καθυστέρηση θερμού/ψυχρού πακέτου μπαταρίας.

## Παραμονή της μπαταρίας στο φορτιστή

Ο φορτιστής και η μπαταρία μπορούν να παραμείνουν συνδεδεμένα με τη λυχνία LED αναμμένη επί ώριστον. Ο φορτιστής θα διατηρήσει το πακέτο μπαταρίας σε βέλτιστη κατάσταση και πλήρως φορτισμένο.

## Σημαντικές επισημάνσεις για τη φόρτιση

- ◆ Η μέγιστη διάρκεια ζωής και η βέλτιστη απόδοση μπορούν να επιτευχθούν αν το πακέτο μπαταρίας φορτίζεται όταν η θερμοκρασία περιβάλλοντος είναι μεταξύ 18 °C και 24 °C (65 °F έως 75 °F). ΜΗ φορτίζετε το πακέτο μπαταρίας σε θερμοκρασία περιβάλλοντος κάτω από +4,5 °C (+40 °F) ή πάνω από +40,5 °C (+105 °F). Αυτό είναι σημαντικό και θα αποτρέψει σοβαρή ζημιά στο πακέτο μπαταρίας.
- ◆ Ο φορτιστής και το πακέτο μπαταρίας μπορεί να θερμανθούν κατά τη φόρτιση. Αυτό είναι κανονικό φαινόμενο και όχι ένδειξη προβλήματος. Για να διευκολύνετε την ψύξη του πακέτου μπαταρίας μετά τη χρήση, αποφεύγετε να τοποθετείτε το φορτιστή ή το πακέτο μπαταρίας σε θερμό περιβάλλον, όπως σε μεταλλικό παράπηγμα ή σε μη μονωμένο τρέιλερ
- ◆ Αν το πακέτο μπαταρίας δεν φορτίζεται σωστά:
  - ◆ Ελέγξτε το ρεύμα στην πρίζα συνδέοντας ένα φωτιστικό ή άλλη ηλεκτρική συσκευή
  - ◆ Ελέγξτε μήπως η πρίζα συνδέεται σε διακόπτη φώτων που διακόπτει το ρεύμα όταν σβήνετε τα φώτα.
  - ◆ Μετακινήστε το φορτιστή και το πακέτο μπαταρίας σε θέση όπου η θερμοκρασία αέρα περιβάλλοντος είναι περίπου 18 °C - 24 °C (65 °F - 75 °F).

- ◆ Αν τα προβλήματα φόρτισης επιμένουν, παραδώστε τη συσκευή, το πακέτο μπαταρίας και το φορτιστή στο τοπικό σας κέντρο σέρβις.
- ◆ Το πακέτο μπαταρίας πρέπει να επαναφορτίζεται όταν δεν είναι σε θέση να παράγει επαρκή ισχύ σε εργασίες που γίνοντουσαν εύκολα πιο πριν. ΜΗ ΣΥΝΕΧΙΣΤΕ τη χρήση υπό αυτές τις συνθήκες. Ακολουθήστε τη διαδικασία φόρτισης. Μπορείτε επίσης να φορτίσετε όποτε επιθυμείτε ένα πακέτο μπαταρίας που δεν έχει εξαντληθεί πλήρως, χωρίς αυτό να έχει αρνητικές συνέπειες στο πακέτο μπαταρίας.
- ◆ Τα ξένα υλικά με αγώνιμες ιδιότητες, όπως είναι, αλλά χωρίς περιορισμό σε αυτά, το σύρμα τριψίματος, το αλουμινόχαρτο ή οποιαδήποτε συσσώρευση μεταλλικών σωματιδίων, θα πρέπει να διατηρούνται μακριά από τις κοιλότητες του φορτιστή. Πάντα αποσυνδέτε το φορτιστή από την παροχή ρεύματος όταν δεν υπάρχει πακέτο μπαταριών στην κοιλότητα. Αποσυνδέτε το φορτιστή από την πρίζα πριν επιχειρήσετε να τον καθαρίσετε.
- ◆ Μην παγώνετε ή βυθίζετε το φορτιστή σε νερό ή οποιοδήποτε άλλο υγρό.

**Προειδοποίηση!** Κίνδυνος ηλεκτροπληξίας. Μην επιτρέψετε να εισέλθει οποιοδήποτε υγρό μέσα στο φορτιστή. Ποτέ μην επιχειρήσετε να ανοίξετε το πακέτο μπαταρίας για οποιοδήποτε λόγο.

Αν το πλαστικό περίβλημα του πακέτου μπαταρίας σπάσει ή ραγίσει, επιστρέψτε το πακέτο σε κέντρο σέρβις για ανακύκλωση.

### Τοποθέτηση και αφαίρεση του πακέτου μπαταρίας από τη συσκευή

**Προειδοποίηση!** Βεβαιωθείτε ότι το κουμπί ασφάλισης δεν είναι ενεργοποιημένο, για να αποφύγετε ενεργοποίηση του διακόπτη πριν από την αφαίρεση ή την τοποθέτηση της μπαταρίας.

### Για την εγκατάσταση του πακέτου μπαταρίας

Εισαγάγετε την μπαταρία (10) μέσα στη συσκευή έως ότου ακούσετε χαρακτηριστικό ήχο κλικ (Εικόνα Β). Βεβαιωθείτε ότι το πακέτο μπαταρίας έχει εδράσει πλήρως και έχει ασφαλίσει πλήρως στη θέση του.

### Για να αφαιρέσετε το πακέτο μπαταρίας

Πατήστε το κουμπί απελευθέρωσης της μπαταρίας (11) όπως δείχνει η Εικόνα C και τραβήξτε το πακέτο μπαταρίας έξω από τη συσκευή.

### Συναρμολόγηση

**Προειδοποίηση!** Πριν από τη συναρμολόγηση, βεβαιωθείτε ότι το εργαλείο είναι απενεργοποιημένο και ότι έχετε αφαιρέσει τη μπαταρία.

### Απαιτούμενα εργαλεία συναρμολόγησης (δεν παρέχονται):

Κατσαβίδι phillips.

### Τοποθέτηση του προστατευτικού (Εικ. D, E)

**Προειδοποίηση!** Αφαιρέστε την μπαταρία από τη συσκευή πριν επιχειρήσετε να συνδέσετε το προστατευτικό, τον οδηγό άκρων ή τη λαβή. Σε καμία περίπτωση μη χρησιμοποιήσετε τη συσκευή χωρίς το προστατευτικό καλά σφηνωμένο στη θέση του. Το προστατευτικό πρέπει να είναι πάντα πάνω στη συσκευή για να προστατεύει το χρήστη.

- ◆ Αφαιρέστε τη βίδα από το προστατευτικό.
- ◆ Γυρίστε το χορτοκοπτικό ανάποδα έτσι ώστε να βλέπετε το κάλυμμα του καρουλιού (16).
- ◆ Γυρίστε το προστατευτικό (8) ανάποδα και μετακινήστε το πλήρως ως το περίβλημα του κινητήρα (12). Βεβαιωθείτε ότι οι γλωπίδες (13) στο προστατευτικό θα εισέλθουν στις σπές (14) του περιβλήματος μωτέρ όπως δείχνει η Εικόνα D.
- ◆ Συνεχίστε να μετακινείτε το προστατευτικό μέχρι να το ακούσετε να ασφαλίσει στη θέση του.
- ◆ Χρησιμοποιώντας κατσαβίδι phillips, εισαγάγετε τη βίδα του προστατευτικού και σφίξτε την καλά όπως δείχνει η Εικόνα E για να ολοκληρώσετε τη συναρμολόγηση του προστατευτικού.
- ◆ Αφού τοποθετήσετε το προστατευτικό, αφαιρέστε το κάλυμμα από τη λεπίδα αποκοπής νήματος που βρίσκεται στο άκρο του προστατευτικού.

**Προειδοποίηση!** Σε καμία περίπτωση μη χρησιμοποιήσετε το εργαλείο αν δεν έχει τοποθετηθεί σωστά το προστατευτικό.

### Ρύθμιση του ύψους (Εικ. F, G–G3)

**Προειδοποίηση!** Ρυθμίζετε το ύψος του χορτοκοπτικού για να επιστρέψετε σωστές θέσεις εργασίας όπως δείχνουν οι Εικόνες G – G3.

- ◆ Μπορείτε να ρυθμίσετε το συνολικό ύψος του χορτοκοπτικού λασκάροντας το κολάρο ρύθμισης ύψους (5) και περιστρέφοντάς το στην κατεύθυνση του βέλους όπως δείχνει η Εικόνα F.
- ◆ Μετακινήστε το πάνω περίβλημα ευθεία προς τα πάνω ή κάτω. Όταν επιτύχετε το επιθυμητό ύψος, σφίξτε το κολάρο περιστρέφοντάς το αντίθετα με την κατεύθυνση που δείχνει η Εικόνα F.

### Απελευθέρωση του νήματος κοπής

Κατά τη μεταφορά, το νήμα κοπής είναι κολλημένο με ταινία στο περίβλημα του καρουλιού.

- ◆ Αφαιρέστε την ταινία που συγκρατεί το νήμα κοπής στο περίβλημα του καρουλιού.

### Λειτουργία

**Προειδοποίηση!** Πάντα να φοράτε κατάλληλη προστασία ματιών.

**Προειδοποίηση!** Πριν ξεκινήσετε την κοπή, χρησιμοποιήστε μόνο τον κατάλληλο τύπο νήματος κοπής.

**Σημείωση:** επιθεωρήστε την περιοχή όπου θα γίνει η κοπή και απομακρύνετε τυχόν αντικείμενα τύπου σύρματος, σπάγκου ή νήματος, που θα μπορούσαν να μπερδευτούν στο περιστρεφόμενο νήμα κοπής ή στο καρούλι. Προσέξτε ιδιαίτερα να αποφύγετε οποιοδήποτε σύρμα το οποίο θα έχει λυγιστεί προς τα έξω από τη θέση του και εισέρχεται στη διαδρομή της συσκευής, όπως τα σωματίνα αγκάθια στη βάση φράκτη από συρματόπλεγμα.

### Ενεργοποίηση και απενεργοποίηση

- ◆ Για να ενεργοποιήσετε τη συσκευή, πατήστε το κουμπί ασφάλισης (2) και κατόπιν πιέστε τη σκανδάλη (1).
- ◆ Για να απενεργοποιήσετε τη συσκευή, ελευθερώστε τη σκανδάλη.

## Χρήση του χορτοκοπτικού (Εικ. F, G–G3)

- ◆ Με τη μονάδα ενεργοποιημένη, δώστε γωνία στη μονάδα και κινήστε αργά το πλάι του χορτοκοπτικού από πλευρά σε πλευρά όπως δείχνει η Εικόνα G.
- ◆ Διατηρήστε γωνία κοπής 5° έως 10°, όπως φαίνεται στην Εικόνα G1. Μην υπερβείτε τις 10° (Εικόνα G2). Κόβετε με το άκρο του νήματος. Για να διατηρήσετε απόσταση από σκληρές, επιφάνειες, χρησιμοποιήστε τον οδηγό άκρων (7).
- ◆ Διατηρήστε ελάχιστη απόσταση 600 mm ανάμεσα στο προστατευτικό και τα πόδια σας, όπως φαίνεται στην Εικόνα G3. Για να επιτύχετε αυτή την απόσταση, ρυθμίστε το συνολικό ύψος του χορτοκοπτικού όπως φαίνεται στην Εικόνα F.

## Μετατροπή σε λειτουργία φινιρίσματος άκρου (Εικ. H, I)

**Προειδοποίηση!** Κατά τη χρήση για το φινιρίσμα άκρων γκαζόν, είναι δυνατόν πέτρες, τεμάχια μετάλλου και άλλα αντικείμενα να εκτοξευτούν με μεγάλη ταχύτητα από το νήμα. Το χορτοκοπτικό και το προστατευτικό είναι σχεδιασμένα να μειώνουν τον κίνδυνο. Ωστόσο, **ΒΕΒΑΙΩΘΕΙΤΕ** ότι άλλα άτομα και κατοικίδια βρίσκονται σε ελάχιστη απόσταση 30 m. Άριστα αποτελέσματα κοπής επιτυγχάνονται σε άκρα βάρους άνω των 50 mm.

- ◆ Αφαιρέστε την μπαταρία από το χορτοκοπτικό.
- ◆ Για να το χρησιμοποιήσετε για συντήρηση φινιρίσματος άκρων, περιστρέψτε το κολάρο (5) όπως φαίνεται στο μέρος 1 της Εικόνας H.
- ◆ Συγκρατήστε το μεταλλικό άξονα και περιστρέψτε το κάτω περίβλημα κατά 180° όπως δείχνει το μέρος 2.
- ◆ Περιστρέψτε το κολάρο μέχρι να σφίξει καλά.
- ◆ Ανυψώστε τον οδηγό άκρων (7) στη θέση φινιρίσματος άκρων, όπως δείχνει η Εικόνα I.
- ◆ Ρυθμίστε τη θέση του χορτοκοπτικού πάνω από την επιφάνεια όπως δείχνει η Εικόνα J.
- ◆ Επαναφέρετε στη θέση κοπής λασκάροντας το κολάρο ασφαλισής και περιστρέψτε το κάτω περίβλημα αντίθετα με πριν κατά 180°. Περιστρέψτε το κολάρο μέχρι να σφίξει καλά.

## Χρήσιμες συμβουλές για την κοπή

- ◆ Χρησιμοποιείτε το άκρο του νήματος για την κοπή και μην αναγκάζετε την κεφαλή του νήματος να εισέρχεται σε γρασιδί που δεν έχει κοπεί. Χρησιμοποιήστε το οδηγό άκρων κατά μήκος αντικειμένων όπως φράκτες, στίπια και παρτέρια, για να έχετε τα καλύτερα αποτελέσματα.
- ◆ Οι φράκτες από συρματοπλέγμα ή πασσάλους προκαλούν πρόσθετη φθορά του νήματος, ακόμη και θραύση του. Οι τοίχοι από πέτρα και τούβλα, τα ρείθρα πεζοδρομίων και τα ξύλα μπορεί να προκαλέσουν ταχύτατη φθορά του νήματος.
- ◆ Μην επιτρέπετε στο κάλυμμα του καρουλιού να σύρεται στο έδαφος ή σε άλλες επιφάνειες.
- ◆ Όταν τα χόρτα έχουν μεγάλο μήκος κόβετε από το πάνω μέρος προς τα κάτω και μην υπερβείτε το ύψος των 300 mm.
- ◆ Διατηρείτε το χορτοκοπτικό με κλίση προς την περιοχή που κόβεται - αυτή είναι η καλύτερη περιοχή κοπής.

- ◆ Το χορτοκοπτικό κόβει καθώς κινείτε τη μονάδα από τα δεξιά προς τα αριστερά. Έτσι θα αποφεύγεται εκτίναξη υπολειμμάτων προς το χειριστή.
- ◆ Αποφεύγετε δένδρα και θάμνους. Ο φλοιός των δένδρων, τα ξύλινα σοβατεπιά, τα ξύλινα πλευρικά καλύμματα τοίχων και οι πάσσαλοι φρακτών μπορούν εύκολα να υποστούν ζημιά από το νήμα.

## Νήμα κοπής / τροφοδοσία νήματος

Το χορτοκοπτικό σας χρησιμοποιεί στρογγυλό νήλον νήμα διαμέτρου 1,65 mm. Κατά τη διάρκεια της χρήσης, το άκρο του νήλον νήματος θα ξεφτίζει και θα φθείρεται και το ειδικό καρούλι αυτόματης τροφοδοσίας θα τροφοδοτεί αυτόματα και θα κόβει στο κατάλληλο σημείο ένα φρέσκο μήκος νήματος. Το νήμα κοπής θα φθέρεται ταχύτερα και θα χρειάζεται συχνότερη τροφοδοσία, αν η κοπή ή το φινιρίσμα άκρων γίνεται κατά μήκος πεζοδρομίων ή άλλων σκληρών επιφανειών ή εάν κβόνται μεγαλύτερου πάχους ζιζάνια. Ο προηγμένος μηχανισμός αυτόματης τροφοδοσίας νήματος ανιχνεύει πότε χρειάζεται περισσότερη νήμα κοπής και τροφοδοτεί και κόβει το σωστό μήκος νήματος όπως απαιτείται. Μην χτυπάτε τη μονάδα πάνω στο έδαφος σε προστάθεια τροφοδοσίας νήματος ή για οποιονδήποτε άλλο σκοπό.

## Καθαρισμός σφηνωμένου και μπερδεμένου νήματος (Εικ. K, L, M)

**Προειδοποίηση!** Αφαιρείτε την μπαταρία από το χορτοκοπτικό πριν πραγματοποιήσετε οποιαδήποτε εργασία συναρμολόγησης, ρύθμισης ή αλλαγής αξεσουάρ. Αυτά τα προληπτικά μέτρα ασφαλείας μειώνουν τον κίνδυνο να τενεί η συσκευή ακούσια σε λειτουργία. Από καιρό σε καιρό, ειδικά αν κόβετε πυκνά ή σκληρά χόρτα, η πλήρην τροφοδοσίας νήματος μπορεί να αποφραχτεί από πολύ φυτών ή άλλα υλικά και το αποτέλεσμα θα είναι να σφηνώσει το νήμα. Για να καθαρίσετε το σφηνώμα, ακολουθήστε τα βήματα που αναφέρονται παρακάτω.

- ◆ Αφαιρέστε την μπαταρία από το χορτοκοπτικό.
- ◆ Πιέστε τις γλωπίδες απασφάλισης (15) πάνω στο κάλυμμα (16) του καρουλιού νήματος, όπως φαίνεται στην Εικόνα K και αφαιρέστε το κάλυμμα τραβώντας το ίσια.
- ◆ Τραβήξτε έξω το καρούλι του νήλον νήματος και καθαρίστε τυχόν κομμένο νήμα ή υπολείματα κοπής από την περιοχή του καρουλιού.
- ◆ Τοποθετήστε το καρούλι και το νήμα μέσα στο κάλυμμα του καρουλιού με το νήμα "σταθεμευμένο" (ασφαλισμένο) σε εγκοπές που παρέχονται όπως δείχνει η Εικόνα L1.
- ◆ Περσάτε το άκρο του νήματος μέσα από την κατάλληλη οπή στο περίβλημα του καρουλιού. Τραβήξτε το χαλαρωμένο νήμα έως ότου περάσει έξω από τις εγκοπές συγκράτησης όπως δείχνει η Εικόνα L2.
- ◆ Πιέστε απαλά το καρούλι προς τα κάτω και περιστρέψτε το έως ότου αισθανθείτε να πέφτει στη θέση του και κατόπιν πιέστε το να κομπώσει στη θέση του. (Όταν είναι στη θέση του, το καρούλι θα μπορεί να περιστρέφεται ελεύθερα λίγες μοίρες προς τα αριστερά και δεξιά).
- ◆ Προσέξτε να μην αφήσετε να παγιδευτεί το νήμα κάτω από το καρούλι.
- ◆ Ευθυγραμμίστε τις γλωπίδες του καλύμματος του καρουλιού με τις εγκοπές στο περίβλημα του καρουλιού.



- ◆ Κουμπώστε το κάλυμμα του καρουλιού πάλι στη θέση του όπως δείχνει η Εικόνα Μ πιέζοντας τις προεξοχές και πιέζοντάς το μέσα στο περίβλημα του καρουλιού.

**Σημείωση:** Βεβαιωθείτε ότι το κάλυμμα είναι πλήρως στη θέση του και προσέξτε να ακούσετε δύο κλικ για να βεβαιωθείτε ότι και οι δύο προεξοχές είναι στη σωστή θέση. Ενεργοποιήστε τη συσκευή. Σε λίγα δευτερόλεπτα ή λιγότερα θα ακούσετε το νάιλον νήμα να κόβεται αυτόματα στο σωστό μήκος.

**Προειδοποίηση!** Για να αποτρέψετε βλάβη της συσκευής, αν το νήμα κοπής προεξέχει πέρα από τη λεπίδα κοπής, κόψτε το έτσι ώστε μόλις να φτάνει στη λεπίδα.

**Σημείωση:** Άλλα ανταλλακτικά (προστατευτικά, καλύμματα καρουλιού κλπ.) διατίθενται στα κέντρα σέρβις BLACK+DECKER. Για να βρείτε την τοποθεσία του τοπικού σας σέρβις επισκεφθείτε τον ιστότοπο [www.blackanddecker.com](http://www.blackanddecker.com).

**Προειδοποίηση!** Η χρήση οποιουδήποτε αξεσουάρ που δεν συνιστάται από την BLACK+DECKER για χρήση με αυτή τη συσκευή θα μπορούσε να είναι επικίνδυνη.

### Αντικατάσταση του καρουλιού (Εικ. Κ, Λ, Μ, Ν)

- ◆ Αφαιρέστε την μπαταρία από τη συσκευή.
- ◆ Πιέστε τις γλωττίδες (15) και αφαιρέστε το κάλυμμα (16) του καρουλιού από το περίβλημα (17) του καρουλιού (Εικόνα Κ).
- ◆ Πιάστε το άδαιο καρούλι με το ένα χέρι και το περίβλημα καρουλιού με το άλλο και τραβήξτε έξω το καρούλι.
- ◆ Αν ο μοχλός (18) (Εικόνα Ν) στη βάση του περιβλήματος βγει από τη θέση του, τοποθετήστε τον ξανά στη σωστή θέση πριν τοποθετήσετε το νέο καρούλι στο περίβλημα.
- ◆ Αφαιρέστε τυχόν βρομιές και χόρτα από το καρούλι και το περίβλημα.
- ◆ Απασφαλίστε το άκρο του νήματος κοπής και περάστε το νήμα κοπής μέσα στην οπή (L2) Εικόνα Λ.
- ◆ Πάρτε το νέο καρούλι και πιέστε το πάνω στην πλήμνη (19) (Εικόνα Ν) μέσα στο περίβλημα. Περιστρέψτε το καρούλι ελαφρά μέχρι να εδράσει. Το νήμα πρέπει να προεξέχει περίπου 136 mm από το περίβλημα.
- ◆ Ευθυγραμμίστε τις γλωττίδες στο κάλυμμα του καρουλιού με τις υποδοχές στο περίβλημα (Εικόνα Μ).
- ◆ Πιέστε το κάλυμμα πάνω στο περίβλημα μέχρι να κουμπώσει καλά στη θέση του.

### Επανατύλιξη καρουλιού από χύμα νήμα κοπής (Εικ. Ο, Ρ, Q)

Διατίθεται και χύμα νήμα κοπής από τον τοπικό σας έμπορο λιανικής. Σημείωση: Τα καρούλια που τυλιγονται με το χέρι από χύμα νήμα κοπής ενδέχεται να μπερδεύονται συχνότερα από τα καρούλια της BLACK+DECKER που τυλιγονται στο εργοστάσιο. Σας συνιστούμε να χρησιμοποιείτε καρούλια εργοστασιακής περιέλιξης, προκειμένου να εξασφαλίσετε τα καλύτερα δυνατά αποτελέσματα. Για την τοποθέτηση χύμα νήματος κοπής, ακολουθήστε τα παρακάτω βήματα:

- ◆ Αφαιρέστε την μπαταρία από τη συσκευή.
- ◆ Αφαιρέστε το άδαιο καρούλι από τη συσκευή όπως περιγράφεται στην ενότητα "Αντικατάσταση του καρουλιού".
- ◆ Αφαιρέστε το νήμα κοπής που τυχόν έχει παραμείνει στο καρούλι.

- ◆ Διπλώστε το άκρο του νήματος κοπής σε μήκος περίπου 19 mm (20). Περάστε το νήμα κοπής μέσα σε μία από τις εγκοπές στερέωσης του νήματος κοπής (21) όπως φαίνεται στην Εικόνα Ο.
- ◆ Εισάγετε το ακραίο τμήμα των 19 mm του χύμα νήματος στην οπή (22) στο καρούλι δίπλα στην εγκοπή όπως φαίνεται στην Εικόνα Ρ. Βεβαιωθείτε ότι έχετε τραβήξει το νήμα σφιχτά στο καρούλι όπως φαίνεται στην Εικόνα Ρ.
- ◆ Τυλίξτε το νήμα κοπής πάνω στο καρούλι στην κατεύθυνση του βέλους που υπάρχει πάνω στο καρούλι. Βεβαιωθείτε ότι τυλίγετε το νήμα με τάξη και σε στρώσεις. Μη διασταυρώνετε τις γραμμές τυλίξης του νήματος (Εικόνα Q).
- ◆ Όταν το τυλιγμένο νήμα κοπής φτάσει τις εσοχές (23), κόψτε το νήμα (Εικόνα Ρ).
- ◆ Τοποθετήστε το καρούλι στη συσκευή όπως περιγράφεται στην ενότητα "Αντικατάσταση του καρουλιού".

### Συντήρηση

Αυτό το εργαλείο με καλώδιο/χωρίς καλώδιο της BLACK+DECKER έχει σχεδιαστεί έτσι ώστε να λειτουργεί για μεγάλο χρονικό διάστημα με την ελάχιστη δυνατή συντήρηση. Η αδιάλειπτη και ικανοποιητική λειτουργία του εργαλείου/συσκευής εξαρτάται από τη φροντίδα και τον τακτικό καθαρισμό του.

Ο φορτιστής σας δεν χρειάζεται άλλη συντήρηση πέραν του τακτικού καθαρισμού.

**Προειδοποίηση!** Πριν πραγματοποιήσετε οποιαδήποτε συντήρηση σε ηλεκτρικά εργαλεία με καλώδιο/χωρίς καλώδιο:

- ◆ Απενεργοποιήστε και αποσυνδέστε τη συσκευή/το εργαλείο από την πρίζα.
- ◆ Η απενεργοποίησή και αφαιρέστε το πακέτο μπαταρίας από τη συσκευή/το εργαλείο, εάν η συσκευή/το εργαλείο διαθέτει αφαιρούμενο πακέτο μπαταρίας.
- ◆ Η χρησιμοποίησή της μπαταρίας μέχρι να αδειάσει εντελώς, αν είναι ενσωματωμένη, και στη συνέχεια απενεργοποιήστε.
- ◆ Πριν καθαρίσετε το φορτιστή, αποσυνδέστε τον από την πρίζα. Ο φορτιστής σας δεν χρειάζεται άλλη συντήρηση πέραν του τακτικού καθαρισμού.
- ◆ Να καθαρίζετε τακτικά τις εγκοπές εξερισμού του εργαλείου/συσκευής και του φορτιστή με μια μαλακή βούρτσα ή ένα στεγνό πανί.
- ◆ Να καθαρίζετε τακτικά το περίβλημα του μοτέρ με ένα υγρό πανί. Μη χρησιμοποιείτε καθαριστικά που χαράζουν ή περιέχουν διαλύτες.
- ◆ Να καθαρίζετε τακτικά το νήμα κοπής και το καρούλι με μια μαλακή βούρτσα ή με ένα στεγνό πανί.
- ◆ Χρησιμοποιείτε τακτικά μια μη αιχμηρή ξύστρα για να αφαιρέσετε το γρασίδι και το χώμα από το κάτω μέρος του προστατευτικού.

## ΑΝΤΙΜΕΤΩΠΙΣΗ ΠΡΟΒΛΗΜΑΤΩΝ

ΠΡΟΒΛΗΜΑ	ΛΥΣΗ
Η συσκευή λειτουργεί αργά.	<p>Αφαιρέστε την μπαταρία από το χορτοκοπτικό.</p> <p>Ελέγξτε ότι το περίβλημα του καρουλιού μπορεί να περιστρέφεται ελεύθερα. Καθαρίστε το προσεκτικά, εάν χρειάζεται.</p> <p>Ελέγξτε ότι το νήμα κοπής δεν προεξέχει περισσότερο από περίπου 122 mm από το καρούλι. Αν ναι, κόψτε το ώστε μόλις να φθάνει στη λεπίδα κοπής του νήματος.</p>
Η αυτόματη τροφοδοσία νήματος δεν τροφοδοτεί νήμα.	<p>Περισσότερο νήμα τροφοδοτείται όταν το μήκος του νήματος φθάσει περίπου τα 76 mm. Για να προσδιορίσετε ότι δεν τροφοδοτείται νήμα, αφήστε το νήμα να φθαρεί πέρα από αυτό το σημείο.</p> <p>Κρατήστε τις γλωπίδες πατημένες και αφαιρέστε το κάλυμμα καρουλιού μαζί με το καρούλι από το περίβλημα καρουλιού στην κεφαλή του χορτοκοπτικού.</p> <p>Βεβαιωθείτε ότι το νήμα δεν έχει τυλιχτεί διασταυρωμένο στο καρούλι όπως φαίνεται σε λεπτομέρεια στην (Εικ. Q). Αν ναι, ξετυλίξτε το νήμα κοπής και τυλίξτε το πάλι σωστά.</p> <p>Επιθεωρήστε τις τροχιές στο κάτω μέρος του καρουλιού για ζημιές. Αν υπάρχει ζημιά, αντικαταστήστε το καρούλι.</p> <p>Τραβήξτε το νήμα κοπής μέχρι να προεξέχει περίπου 122 mm από το καρούλι. Αν δεν έχει μείνει αρκετό μήκος νήματος κοπής στο καρούλι, εγκαταστήστε νέο καρούλι νήματος κοπής. Ευθυγραμμίστε τις γλωπίδες στο κάλυμμα του καρουλιού με τις εγκοπές στο περίβλημα.</p> <p>Πιέστε το κάλυμμα του καρουλιού μέσα στο περίβλημα μέχρι να κουμπώσει καλά στη θέση του.</p> <p>Αν το νήμα κοπής προεξέχει πέρα από τη λεπίδα κοπής, κόψτε το έτσι ώστε μόλις να φθάνει στη λεπίδα. Αν η αυτόματη τροφοδοσία νήματος εξακολουθεί να μη λειτουργεί ή αν το καρούλι έχει σφηνώσει, δοκιμάστε τις παρακάτω υποδείξεις: Καθαρίστε προσεκτικά το καρούλι και το περίβλημα.</p> <p>Βεβαιωθείτε ότι χρησιμοποιείτε το σωστό μέγεθος και σωστή διάμετρο νήματος (2,00 mm) - τα μικρότερα και μεγαλύτερα μεγέθη νήματος θα επηρεάσουν τη λειτουργικότητα του συστήματος αυτόματης τροφοδοσίας.</p> <p>Αφαιρέστε το καρούλι και ελέγξτε αν ο μοχλός στο περίβλημα του καρουλιού μπορεί να κινηθεί ελεύθερα.</p> <p>Αφαιρέστε το καρούλι και ξετυλίξτε το νήμα κοπής και κατόπιν τυλίξτε το πάλι με τάξη. Επανατοποθετήστε το καρούλι μέσα στο περίβλημα.</p>
Υπερβολική τροφοδοσία	<p>Βεβαιωθείτε ότι κόβετε με το άκρο του νήματος 177 mm από το καρούλι. Χρησιμοποιήστε τον οδηγό άκρων, αν χρειάζεται, για να διασφαλίσετε ότι διατηρείτε το σωστό διάκενο.</p> <p>Βεβαιωθείτε ότι δεν υπερβαίνετε τη γωνία 10° όπως φαίνεται στην (Εικ. G1).</p>
Το νήμα ξετυλιγεται κατά την αφαίρεση του καλύμματος ή του καρουλιού	<p>Βεβαιωθείτε να ασφαλίσετε το νήμα στις εγκοπές συγκράτησης (Εικ. L1) πριν την αφαίρεση.</p>

## Προστασία του περιβάλλοντος



Χωριστή συλλογή. Τα προϊόντα και οι μπαταρίες που επισημαίνονται με αυτό το σύμβολο δεν πρέπει να απορρίπτονται μαζί με τα κανονικά οικιακά απορρίμματα.

Τα προϊόντα και οι μπαταρίες περιέχουν υλικά που μπορούν να ανακτηθούν ή να ανακυκλωθούν ώστε να μειωθούν οι ανάγκες για πρώτες ύλες. Παρακαλούμε να ανακυκλώνετε τα ηλεκτρικά προϊόντα και τις μπαταρίες σύμφωνα με τους τοπικούς κανονισμούς.

## Τεχνικά χαρακτηριστικά

		ST182320
Τάση εισόδου	V <sub>ac</sub>	18
Ταχύτητα χωρίς φορτίο	min <sup>-1</sup>	9000
Βάρος	kg	2.05
<b>Μπαταρία</b>		<b>BL2018</b>
Τάση	V <sub>oc</sub>	18
Χωρητικότητα	Ah	2.0
Τύπος		Li-Ion
<b>Φορτιστής</b>		<b>905902** (τύπ. 1)</b>
Τάση εισόδου	V <sub>ac</sub>	230
Τάση εξόδου	V <sub>oc</sub>	18
Ρεύμα	mA	400

Σταθμισμένη τιμή κραδασμών συστήματος χεριού/βραχίονα σύμφωνα με το EN50636-2-91:

$$= < 3.6 \text{ m/s}^2, \text{ αβεβαιότητα (K)} = 1.5 \text{ m/s}^2.$$

$$L_{\text{a}} \text{ (ηχητική πίεση)} 76 \text{ dB(A)}$$

$$\text{αβεβαιότητα (K)} = 2,6 \text{ dB(A)}$$

## Δήλωση συμμόρφωσης ΕΚ

ΟΔΗΓΙΑ ΠΕΡΙ ΜΗΧΑΝΗΜΑΤΩΝ  
ΟΔΗΓΙΑ ΓΙΑ ΘΟΡΥΒΟΥΣ ΣΕ ΕΞΩΤΕΡΙΚΟΥΣ ΧΩΡΟΥΣ



ST182320 Χορτοκοπτικό μπαταρίας με νήμα H Black & Decker δηλώνει ότι τα προϊόντα αυτά που περιγράφονται στα «τεχνικά χαρακτηριστικά» συμμορφώνονται με τα ακόλουθα:  
2006/42/ΕΚ, EN60335-1:2012 + A11:2014  
EN50636-2-91:2014

2000/14/ΕΚ, Χορτοκοπτικό, L ≤ 50 cm, Παράρτημα VI  
DEKRA Certification B.V., Utrechtseweg 310,  
6802 ED Arnhem, The Netherlands  
Αρ. ID Διακοινωνμένου Οργανισμού: 0344

Στάθμη ηχητικής ισχύος σύμφωνα με το 2000/14/EK  
(άρθρο 12, Παράρτημα III,  $L \leq 50$  cm):  
 $L_{\dots}$  (μετρούμενη ηχητική ισχύς) 88 dB(A)  
αβεβαιότητα (K) = 2,6 dB(A)  
 $L_{\dots}$  (εγγυημένη ηχητική ισχύς) 96 dB(A)

Αυτά τα προϊόντα συμμορφώνονται και με τις Οδηγίες 2014/30/ΕΕ και 2011/65/ΕΕ. Για περισσότερες πληροφορίες, επικοινωνήστε με την Black & Decker στην παρακάτω διεύθυνση ή ανατρέξτε στο πίσω μέρος του εγχειριδίου.

Ο κάτωθι υπογεγραμμένος είναι υπεύθυνος για την κατάρτιση του τεχνικού φακέλου και δηλώνει τα παρόντα εκ μέρους της Black & Decker.



R. Laverick  
Διευθυντής σχεδιασμού  
Black & Decker Europe, 210 Bath Road, Slough,  
Berkshire, SL1 3YD  
United Kingdom  
15/11/2016

## Εγγύηση

Η Black & Decker είναι σίγουρη για την ποιότητα των προϊόντων της και προσφέρει στους καταναλωτές εγγύηση 24 μηνών από την ημερομηνία αγοράς. Αυτή η εγγύηση είναι πρόσθετο δικαίωμά σας και δεν ζημιώνει τα νόμιμα δικαιώματά σας. Η εγγύηση ισχύει εντός της επικράτειας των χωρών μελών της Ευρωπαϊκής Ένωσης και της Ευρωπαϊκής Ζώνης Ελεύθερων Συναλλαγών. Για να υποβάλετε αξίωση βάσει της εγγύησης, η αξίωση θα πρέπει να είναι σύμφωνη με τους Όρους και προϋποθέσεις της Black&Decker και θα χρειαστεί να υποβάλετε απόδειξη αγοράς στον πωλητή ή σε εξουσιοδοτημένο αντιπρόσωπο επισκευών.

Μπορείτε να αποκτήσετε τους Όρους και προϋποθέσεις της εγγύησης 2 ετών της Black&Decker και να μάθετε την τοποθεσία του πλησιέστερου εξουσιοδοτημένου αντιπροσώπου επισκευών στο Internet στο [www.2helpU.com](http://www.2helpU.com), ή επικοινωνώντας με το τοπικό σας γραφείο Black & Decker στη διεύθυνση που υποδεικνύεται στο παρόν εγχειρίδιο.

Παρακαλούμε επισκεφθείτε την ιστοσελίδα μας [www.blackanddecker.gr](http://www.blackanddecker.gr) για να καταχωρίσετε το νέο σας προϊόν Black & Decker και για να ενημερώνεστε για τα νέα προϊόντα και τις ειδικές προσφορές.

<b>België/Belgique/Luxembourg</b> www.blackanddecker.be enduser.be@sbdinc.com	Stanley Black & Decker Belgium BVBA Egide Walschaertsstraat 16 2800 Mechelen	Tel. NL +32 15 47 37 65 Tel. FR +32 15 47 37 66 Fax. +32 15 47 37 99
<b>Danmark</b>	Black & Decker Roskildevej 22 2620 Albertslund	kundeservice.dk@sbdinc.com www.blackanddecker.dk
<b>Deutschland</b> www.blackanddecker.de infobfge@sdbinc.com	Stanley Black & Decker Deutschland GmbH Black & Decker Str. 40, D - 65510 Idstein	Tel. 06126 21-0 Fax 06126 21-2980
<b>Ελλάδα</b> www.blackanddecker.gr greece.service@sbdinc.com	Stanley Black & Decker (ΕΛΛΑΣ) Ε.Π.Ε ΓΡΑΦΕΙΑ: Σπύριδωνος 7 & Βουλιαγμένης 166 74 Γλυφάδα - Αθήνα	Τηλ. 210-8981616 Φαξ 210-8983570
<b>SERVICE:</b>	Ημερος Τόπος 2 -Χάνι Αδάμ 193 00 Ασπρόπυργος - Αθήνα	Τηλ. Service 210-8985208 Φαξ 210-5597598
<b>España</b> www.blackanddecker.es respuesta.posventa@sbdinc.com	Stanley Black & Decker Ibérica, S.C.A. Parc de Negocis "Mas Blau" Edificio Muntadas, c/Bergadá, 1, Of. A6 08820 El Prat de Llobregat (Barcelona)	Tel. 934 797 400 Fax 934 797 419
<b>France</b> www.blackanddecker.fr	Black & Decker (France) S.A.S. 5 allée des Hêtres B.P. 30084 69579 Limonest Cédex	Tel. 04 72 20 39 20 Fax 04 72 20 39 00
<b>Helvetia</b> www.blackanddecker.ch service@rofoag.ch	ROFO AG Gewerbezone Seeblick 3213 Kleinbödingen	Tel. 026-6749393 Fax 026-6749394
<b>Italia</b> www.blackanddecker.it service.italia@sbdinc.com	Stanley Black & Decker Italia Via Energypark 6 20871 Vimercate (MB)	Tel. 039-9590200 Fax 039-9590313 Numero verde 800-213935
<b>Nederland</b> www.blackanddecker.nl enduser.nl@sbdinc.com	Stanley Black & Decker Netherlands BV Holtum Noordweg 35, 6121 RE BORN Postbus 83, 6120 AB BORN	Tel. +31 164 283 065 Fax +31 164 283 200
<b>Norge</b>	Black & Decker Postboks 4613, Nydalen 0405 Oslo	kundeservice.no@sbdinc.com www.blackanddecker.no
<b>Österreich</b> www.blackanddecker.at service.austria@sbdinc.com	Stanley Black & Decker Austria GmbH Oberlaaerstraße 248, A-1230 Wien	Tel. 01 66116-0 Fax 01 66116-614
<b>Portugal</b> www.blackanddecker.pt resposta.posvenda@sbdinc.com	Black & Decker Limited SARL Quinta da Fonte - Edifício Q55 D. Diniz Rua dos Malhães, 2 e 2A - Piso 2 Esquerdo 2770 - 071 Paço de Arcos	Tel. 214667500 Fax 214667580
<b>Suomi</b>	Black & Decker PL47 00521, Helsinki	asiakaspalvelu.fi@sbdinc.com www.blackanddecker.fi
<b>Sverige</b>	Black & Decker AB Box 94, 431 22 Mölndal	kundservice.se@sbdinc.com www.blackanddecker.se
<b>Türkiye</b> www.blackanddecker.com.tr	KALE Hirdavat ve Makina A.Ş. Deftardar Mah. Savaklar Cad. No:15 Edimekapı / Eyüp / İstanbul 34050	Tel. 0212 533 52 55 Fax. 0212 533 10 05
<b>United Kingdom &amp; Republic Of Ireland</b> www.blackanddecker.co.uk emeaservice@sbdinc.com	Black & Decker 210 Bath Road Slough, Berkshire SL1 3YD	Tel. 01753 511234 Fax 01753 512365
<b>Middle East &amp; Africa</b> www.blackanddecker.ae service.mea@sbdinc.com	Black & Decker P.O.Box - 17164 Jebel Ali Free Zone (South), Dubai, UAE	Tel. +971 4 8863030 Fax +971 4 8863333