

www.blackanddecker.eu

GWC1815
GWC1820PC

EN

DE

FR

IT

NL

ES

PT

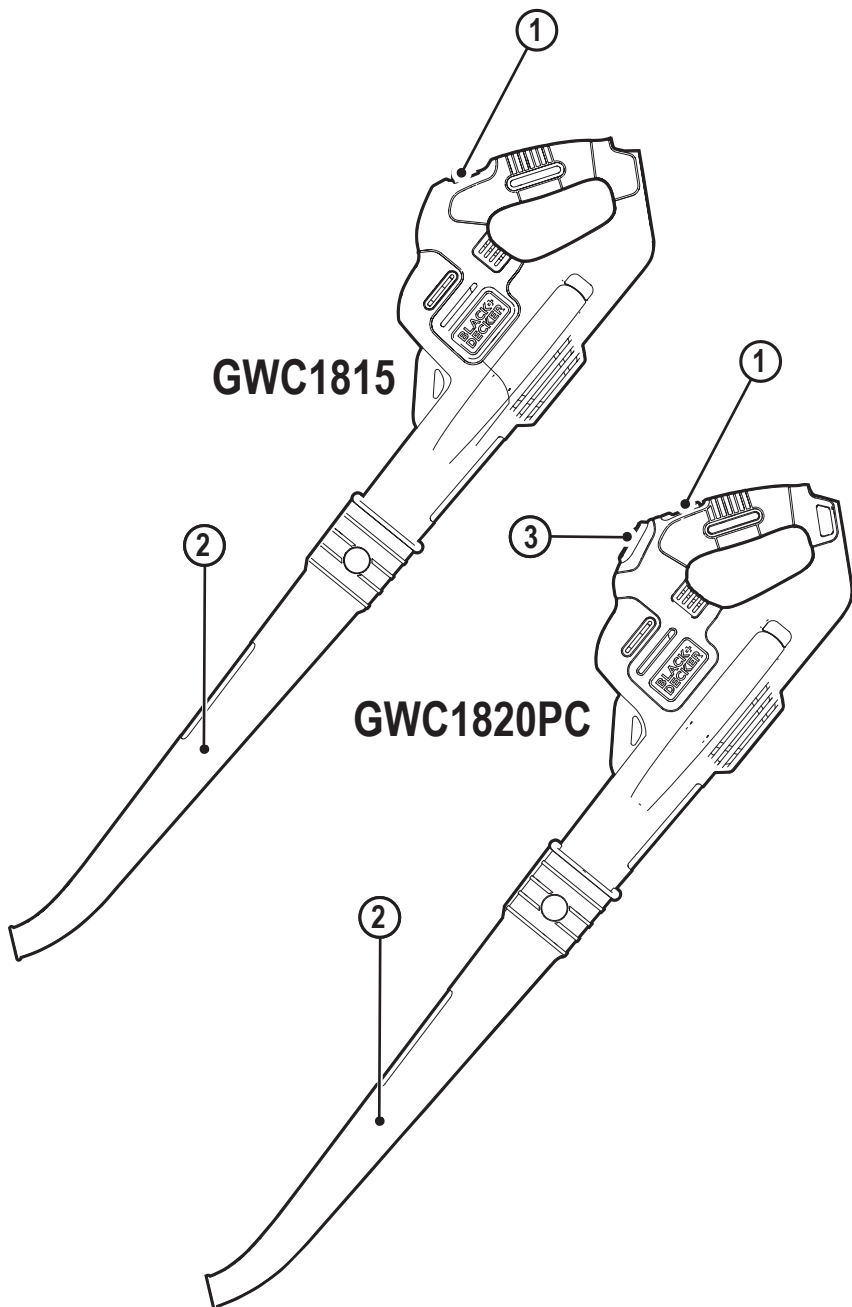
SV

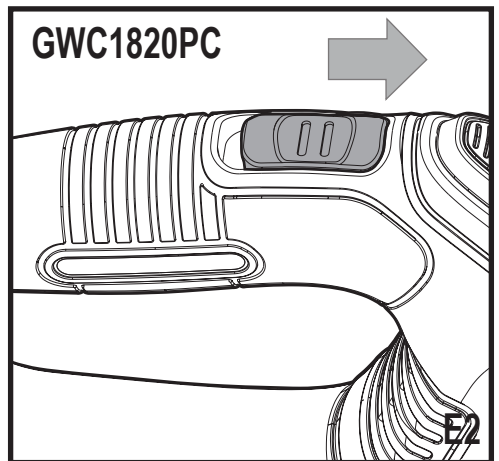
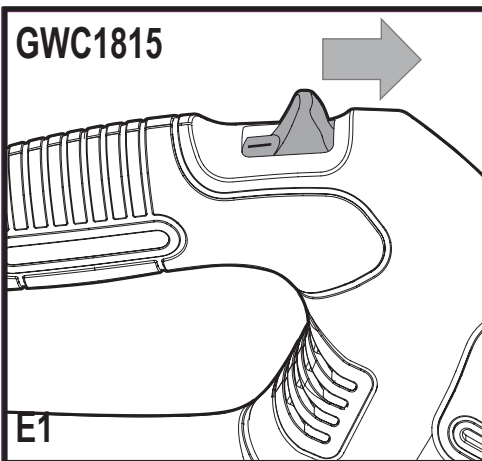
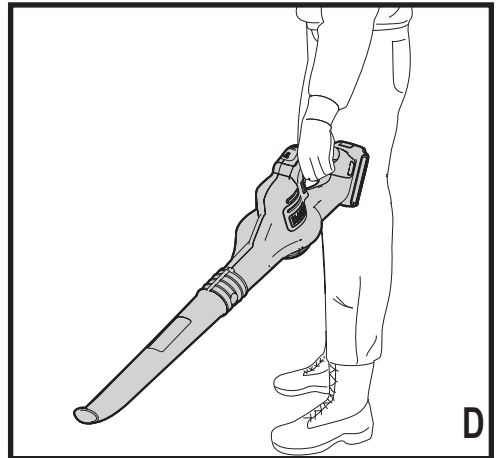
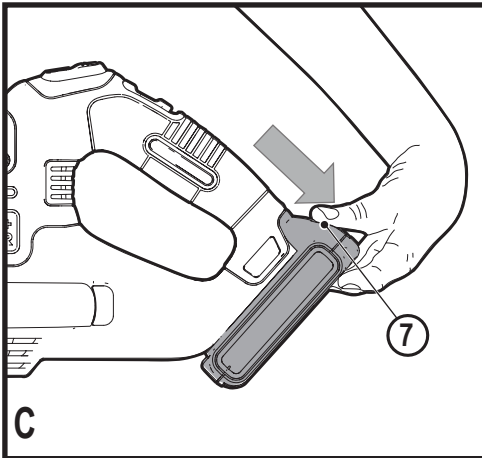
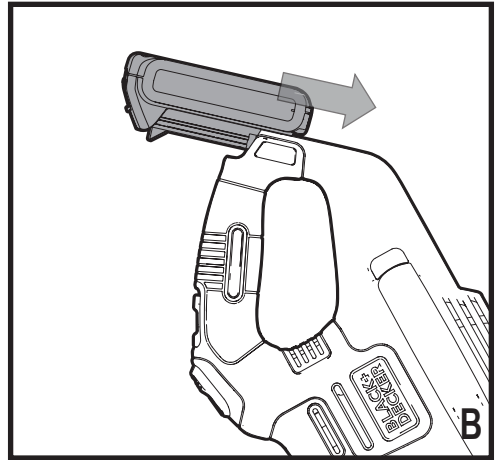
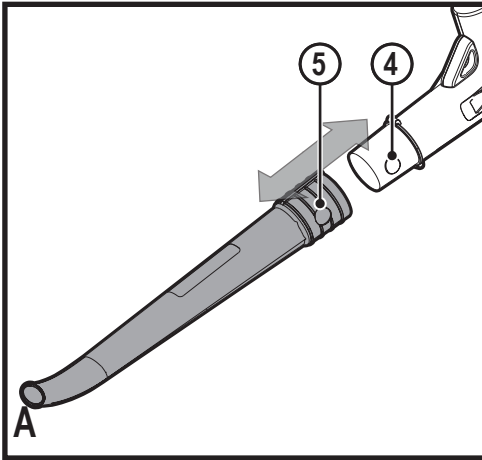
NO

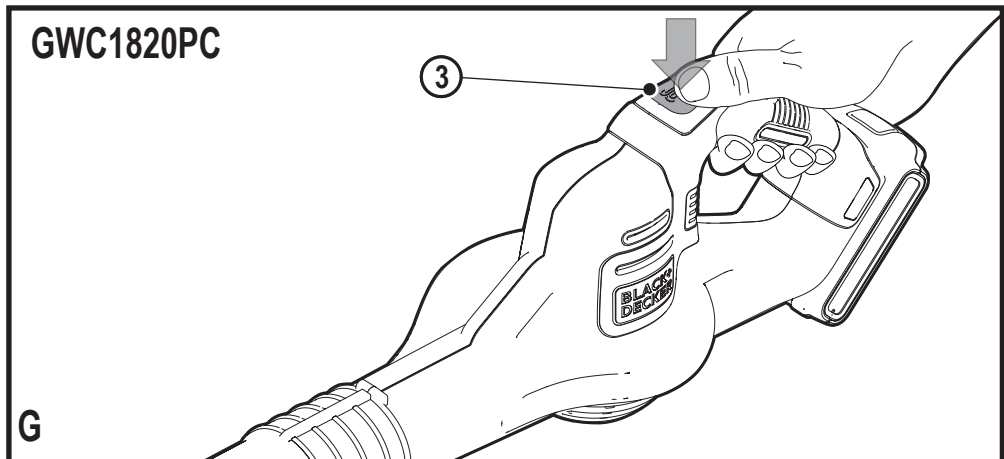
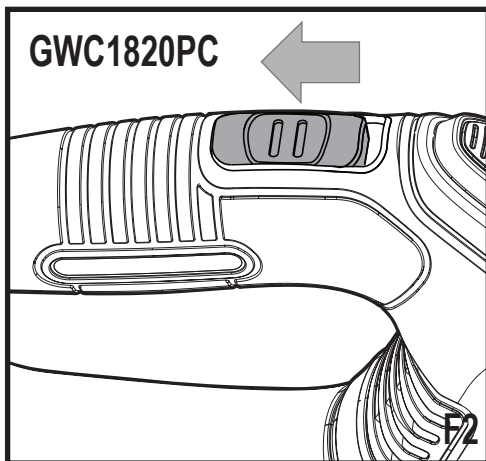
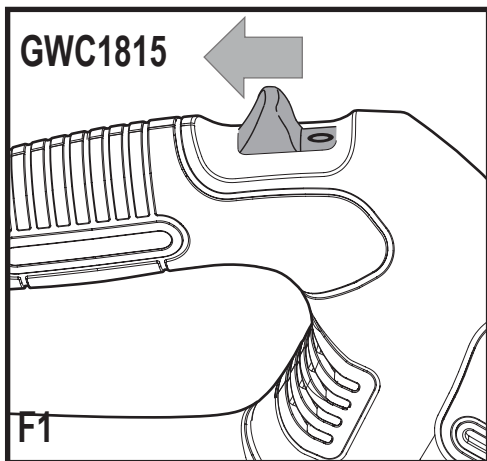
DK

FI

EL







Intended use

Your BLACK+DECKER GWC1815 and GWC1820PC blower have been designed for leaf clearing. This appliance is intended for consumer use only.

Safety instructions

Warning! When using mains-powered/cordless appliances, basic safety precautions, including the following, should always be followed to reduce the risk of fire, electric shock, personal injury and material damage.

- ◆ Read all of this manual carefully before operating the appliance.
- ◆ The intended use is described in this manual. The use of any accessory or attachment or the performance of any operation with this appliance other than those recommended in this instruction manual may present a risk of personal injury.
- ◆ Retain this manual for future reference.

Using your appliance

Always take care when using the appliance.

- ◆ Always use safety glasses or goggles.
- ◆ Never allow children or people unfamiliar with the instructions to use the appliance.
- ◆ Do not allow children or animals to come near the work area or to touch the appliance or power supply cord.
- ◆ Close supervision is necessary when the appliance is used near children.
- ◆ This appliance is not intended for use by young or infirm persons without supervision.
- ◆ This appliance is not to be used as a toy.
- ◆ Only use the appliance in daylight or good artificial light.
- ◆ Use in a dry location only. Do not allow the appliance to become wet.

- ◆ Avoid using the appliance in bad weather conditions, especially when there is a risk of lightning.
- ◆ Do not immerse the appliance in water.
- ◆ Do not open the body casing. There are not user-serviceable parts inside.
- ◆ Do not operate the appliance in explosive atmospheres, such as in the presence of flammable liquids, gases or dust.
- ◆ The appliance is only to be used with the power supply unit provided with the appliance.

Residual risks.

Additional residual risks may arise when using the tool which may not be included in the enclosed safety warnings.

These risks can arise from misuse, prolonged use etc.

Even with the application of the relevant safety regulations and the implementation of safety devices, certain residual risks can not be avoided. These include:

- ◆ Injuries caused by touching any rotating/moving parts.
- ◆ Injuries caused when changing any parts, blades or accessories.
- ◆ Injuries caused by prolonged use of a tool. When using any tool for prolonged periods ensure you take regular breaks.
- ◆ Impairment of hearing.
- ◆ Health hazards caused by breathing dust developed when using your tool (example:- working with wood, especially oak, beech and MDF.)

After use

- ◆ When not in use, the appliance should be stored in a dry, well ventilated place out of reach of children.

- ◆ Children should not have access to stored appliances.
- ◆ When the appliance is stored or transported in a vehicle it should be placed in the boot or restrained to prevent movement following sudden changes in speed or direction.

Inspection and repairs

- ◆ Before use, check the appliance for damaged or defective parts. Check for breakage of parts and any other conditions that may affect its operation.
- ◆ Do not use the appliance if any part is damaged or defective.
- ◆ Have any damaged or defective parts repaired or replaced by an authorised repair agent.
- ◆ Never attempt to remove or replace any parts other than those specified in this manual.

Additional safety instructions for blowers

The intended use is described in this manual. The use of any accessory or attachment or performance of any operation with this appliance other than those recommended in this instruction manual can present a risk of personal injury and/or damage to property.

- ◆ To protect your feet and legs while operating the appliance, always wear heavy duty footwear and long trousers.
- ◆ Always switch off your product, allow the fan to stop and remove the battery when:
 - ◆ You leave your product unattended.
 - ◆ Clearing a blockage.
 - ◆ Checking, adjusting, cleaning or working on your product.
 - ◆ If the appliance starts to vibrate abnormally.

- ◆ Do not place the inlet or outlet of the vacuum near eyes or ears when operating. Never blow debris in the direction of bystanders.
- ◆ Do not use in the rain or leave outdoors while it is raining.
- ◆ Do not cross gravel paths or roads whilst your product is switched. Walk, never run.
- ◆ Do not place your unit down on gravel while it is switched on.
- ◆ Always be sure of your footing, particularly on slopes. Do not overreach and keep your balance at all times.
- ◆ Do not place any objects into the openings. Never use if the openings are blocked - keep free of hair, lint, dust and anything that may reduce the airflow.

Warning! Always use your product in the manner outlined in this manual. Your product is designed to be used in an upright mode and if it is used in any other way it may result in injury. Never run your product whilst lying on it's side or upside down.

- ◆ The operator or user is responsible for accidents or hazards occurring to other people or their property.
- ◆ Do not use solvents or cleaning fluids to clean your product. Use a blunt scraper to remove grass and dirt.
- ◆ Check the collection bag frequently for wear or deterioration.
- ◆ Replacement fans are available from a Black & Decker service agent. Use on Black & Decker recommended spare parts and accessories.

- ◆ Keep all nuts bolts and screws tight to make sure that the appliance is in a safe working condition.

Safety of others

- ◆ This appliance can be used by children aged from 8 years and above and persons with reduced physical, sensory or mental capabilities or lack of experience and knowledge if they have been given supervision or instruction concerning use of the appliance in a safe way and understand the hazards involved. Children shall not play with the appliance. Cleaning and user maintenance shall not be made by children without supervision.
- ◆ Children should be supervised to ensure that they do not play with the appliance.

Additional safety instructions for batteries and chargers

Batteries

- ◆ Never attempt to open for any reason.
- ◆ Do not expose the battery to water.
- ◆ Do not store in locations where the temperature may exceed 40 °C.
- ◆ Charge only at ambient temperatures between 10 °C and 40 °C.
- ◆ Charge only using the charger provided with the tool.
- ◆ When disposing of batteries, follow the instructions given in the section "Protecting the environment".

Chargers

- ◆ Use your BLACK+DECKER charger only to charge the battery in the tool with which it was supplied. Other batteries could burst, causing personal injury and damage.
- ◆ Never attempt to charge non-rechargeable batteries.
- ◆ Have defective cords replaced immediately.
- ◆ Do not expose the charger to water.
- ◆ Do not open the charger.
- ◆ Do not probe the charger.



The charger is intended for indoor use only.



Read the instruction manual before use.

Electrical safety



Your charger is double insulated; therefore no earth wire is required. Always check that the mains voltage corresponds to the voltage on the rating plate. Never attempt to replace the charger unit with a regular mains plug.

- ◆ If the supply cord is damaged, it must be replaced by the manufacturer or an authorised BLACK+DECKER Service Centre in order to avoid a hazard.

Labels on appliance

The following warning symbols are found on the appliance along with the date code:



Read the manual prior to operation.



Wear safety glasses or goggles when operating this appliance.



Wear suitable ear protectors when operating this appliance.



Always remove the battery from the appliance before performing any cleaning or maintenance .



Beware of flying objects. Keep bystanders away from the cutting area.



Do not expose the appliance to rain or high humidity.



Directive 2000/14/EC guaranteed sound power.

Features

This appliance includes some or all of the following features.

1. On / Off Switch
2. Tube
3. Power command button (GWC1820PC Only).

Tube assembly

Note: Ensure the sweeper is switched off and the battery is removed before attaching or removing the sweeper tube. The tube must be assembled to the housing before use.

- ◆ To attach the tube to the sweeper, line up the tube with the sweeper housing as shown in Figure A.
- ◆ Push the tube into the sweeper housing until the lock button (4) engages the lock hole (5) in the tube.

To install battery pack

- ◆ Insert battery pack into tool until an audible click is heard as shown in Figure B. Make sure battery pack is fully seated and fully latched into position.

To remove battery pack

- ◆ Depress the battery release button (6) in the back of the battery pack and pull battery pack out of tool assembly as shown in Figure C.

Operation

Warning! Always wear safety glasses. Wear a filter mask if the operation is dusty. Use of gloves, long pants and substantial footwear is recommended. Keep long hair and loose clothing away from openings and moving parts. THIS SWEEPER IS FOR HOUSEHOLD USE ONLY.

- ◆ Hold the sweeper with one hand as shown in Figure D and sweep from side to side with the nozzle several inches above the ground. Slowly advance keeping the accumulated pile of debris in front of you.

Switching on and off

Warning! Use both hands to grip the product firmly when switching on.

Warning! Do not point unit discharge at self or bystanders.

- ◆ To switch the sweeper on, slide the on/off switch forward as shown in Figure E1 and E2.
- ◆ To switch the sweeper off, slide the on/off switch back as shown in Figure F1 and F2.

POWERCOMMAND feature

The POWERCOMMAND feature (3) is located on the GWC1820PC tool handle as shown in Figure G. It allows you to optimise the tools performance and boost the power as needed.

- ◆ Switch the blower on.
- ◆ To activate the "Boost" mode, press and hold the POWERCOMMAND button down.
- ◆ To deactivate the "Boost" mode, release the POWERCOMMAND button.
- ◆ Operate in "Normal" mode for most sweeping needs. (Longer runtime will be achieved.)
- ◆ Activate "Boost" mode as needed to clear heavy or wet debris.

Troubleshooting

Problem	Possible cause	Possible solution
Unit will not start.	Battery not installed properly.	Check battery installation.
	Battery not charged.	Check battery charging requirements.
Battery will not charge.	Battery not inserted into charger.	Insert battery into charger until green LED appears.
	Charger not plugged in.	Plug charger into a working outlet. Refer to "Important Charging Notes" for more details.
		Check current at receptacle by plugging in a lamp or other appliance.
	Check to see if receptacle is connected to a light switch which turns power off when you turn out the lights.	
Surrounding air temperature too hot or too cold.	Move charger and tool to a surrounding air temperature of above 40 degree F (4.5°C) or below 105 degree F (+40.5°C).	

Protecting the environment



Separate collection. Products and batteries marked with this symbol must not be disposed of with normal household waste.

Products and batteries contain materials that can be recovered or recycled reducing the demand for raw materials. Please recycle electrical products and batteries according to local provisions.

Batteries



At the end of their useful life, discard batteries with due care for our environment:

- ◆ Run the battery down completely, then remove it from the tool.
- ◆ NiCd, NiMH and Li-Ion batteries are recyclable. Place the battery(s) in a suitable packaging to ensure that the terminals cannot be short-circuited. Take them to any authorised repair agent or a local recycling station.
- ◆ Do not short-circuit the battery terminals.
- ◆ Do not dispose of the battery(s) in a fire as this may result in a risk of personal injury or an Explosion.

Technical data

GWC1815		
Input Voltage	V _{ac}	18
No-Load Speed	/min	12500
Weight	kg	1.7

Battery BL1518		
Voltage	V _{ac}	18
Capacity	Ah	1.5
Type	Li-Ion	
Charger	400mA	

GWC1820PC		
Input Voltage	V _{ac}	18
No-Load Speed	/min	10,000 - 12,500
Weight	kg	1.7

Battery BL2018		
Voltage	V _{ac}	18
Capacity	Ah	2
Type	Li-Ion	
Charger	400mA	

Hand/arm weighted vibration value according to EN 50636-2-91:

$$= < 2,5 \text{ m/s}, \text{ uncertainty (K) } = 1,5 \text{ m/s}^2.$$

L_{wa} (sound pressure) 72 dB(A)

uncertainty (K) = 2,8 dB(A)

EC declaration of conformity

MACHINERY DIRECTIVE
OUTDOOR NOISE DIRECTIVE



GWC1815/GWC1820PC blower

Black & Decker declares that these products described under "technical data" are in compliance with:
2006/42/EC, EN 60335-1:2012 + A11:2014
EN 50636-2-91:2014

2000/14/EC, Lawn Trimmer, L ≤ 50 cm, Annex VIII
DEKRA Certification B.V., Utrechtseweg 310,
6802 ED Arnhem, The Netherlands
Notified Body ID No.: 0344

Level of acoustic power according to 2000/14/EC
(Article 12, Annex III, L ≤ 50 cm):
L_{wa} (measured sound power) 86 dB(A)
uncertainty (K) = 2,8 dB(A)
L_{wa} (guaranteed sound power) 89 dB(A)

These products also comply with Directive 2014/30/EU,
2011/65/EU.

For more information, please contact Black & Decker at the following address or refer to the back of the manual.

The undersigned is responsible for compilation of the technical file and makes this declaration on behalf of Black & Decker.



R. Laverick
Director of Engineering
Black & Decker Europe, 210 Bath Road, Slough,
Berkshire, SL1 3YD
United Kingdom
27/04/2017

Guarantee

Black & Decker is confident of the quality of its products and offers consumers a 24 month guarantee from the date of purchase. This guarantee is in addition to and in no way prejudices your statutory rights. The guarantee is valid within the territories of the Member States of the European Union and the European Free Trade Area.

To claim on the guarantee, the claim must be in accordance with Black&Decker Terms and Conditions and you will need to submit proof of purchase to the seller or an authorised repair agent. Terms and conditions of the Black&Decker 2 year guarantee and the location of your nearest authorised repair agent can be obtained on the Internet at www.2helpU.com, or by contacting your local Black & Decker office at the address indicated in this manual.

Please visit our website www.blackanddecker.co.uk to register your new Black & Decker product and receive updates on new products and special offer

Verwendungszweck

Ihr BLACK+DECKER Laubbläser GWC1815 und GWC1820PC wurde zum Beseitigen von Blättern entwickelt. Dieses Gerät ist nicht für den gewerblichen Einsatz vorgesehen.

Sicherheitshinweise

Warnung! Beachten Sie beim Umgang mit netzstrombetriebenen/kabellosen Geräten stets die grundlegenden Sicherheitshinweise, die im Folgenden beschrieben werden. Dadurch verhindern Sie Brände, Stromschläge sowie Sach- und Personenschäden.

- ◆ Lesen Sie diese Anleitung vollständig und aufmerksam durch, bevor Sie das Gerät verwenden.
- ◆ Der vorgesehene Verwendungszweck ist in dieser Anleitung beschrieben. Bei Verwendung von Zubehör oder Anbauteilen, die nicht in dieser Anleitung empfohlen werden, sowie bei der Verwendung des Geräts in Abweichung von den in dieser Anleitung beschriebenen Verfahren besteht Verletzungsgefahr.
- ◆ Bewahren Sie diese Anleitung auf.

Verwendung des Geräts

Verwenden Sie das Gerät stets mit Umsicht.

- ◆ Tragen Sie stets eine Schutzbrille.
- ◆ Lassen Sie diese Maschine niemals von Personen mit eingeschränkten körperlichen, sensorischen oder geistigen Fähigkeiten oder mangelnder Erfahrung und Wissen in Bezug auf diese Anweisungen bedienen; örtliche Bestimmungen können das Alter des Benutzers einschränken.
- ◆ Es sollte stets ein Sicherheitsabstand zu anderen Personen, insbesondere Kindern, und Haustieren eingehalten werden.

- ◆ Das Gerät darf nicht von Kindern und Personen genutzt werden, die die vorliegenden Anleitungen nicht gelesen haben.
- ◆ Achten Sie darauf, dass sich im Arbeitsbereich keine Kinder oder Tiere aufhalten. Verhindern Sie, dass Kinder das Gerät oder das Netzkabel berühren.
- ◆ Seien Sie besonders vorsichtig, wenn Sie das Gerät in der Nähe von Kindern verwenden.
- ◆ Das Gerät ist nicht für die unbeaufsichtigte Verwendung durch Kinder oder gebrechliche Personen vorgesehen.
- ◆ Das Gerät ist kein Spielzeug.
- ◆ Betreiben Sie das Gerät nur bei Tageslicht oder bei ausreichender Beleuchtung.
- ◆ Verwenden Sie das Gerät nur in trockener Umgebung. Achten Sie darauf, dass das Gerät nicht nass wird.
- ◆ Vermeiden Sie, das Gerät bei schlechtem Wetter zu verwenden, vor allem, wenn das Risiko von Blitzen besteht.
- ◆ Tauchen Sie das Gerät nicht in Wasser.
- ◆ Versuchen Sie nicht, das Gehäuse zu öffnen. Im Inneren befinden sich keine zu wartenden Teile.
- ◆ Betreiben Sie das Gerät nicht in explosionsgefährdeter Umgebung, in der sich brennbare Flüssigkeiten, Gase oder Staub befinden.
- ◆ Das Gerät darf nur mit dem im Lieferumfang enthaltenen Netzteil betrieben werden.

Restrisiken.

Beim Gebrauch dieses Geräts verbleiben zusätzliche Restrisiken, die möglicherweise nicht in den Sicherheitswarnungen genannt werden.

Diese Risiken bestehen beispielsweise bei Missbrauch oder längerem Gebrauch. Auch bei der Einhaltung der entsprechenden Sicherheitsvorschriften und der Verwendung aller Sicherheitsgeräte bestehen weiterhin bestimmte Restrisiken. Diese sind:

- ◆ Verletzungen, die durch das Berühren von sich drehenden/bewegenden Teilen verursacht werden.
- ◆ Verletzungen, die durch das Austauschen von Teilen, Sägeblättern oder Zubehör verursacht werden.
- ◆ Verletzungen, die durch längeren Gebrauch eines Geräts verursacht werden. Legen Sie bei längerem Gebrauch regelmäßige Pausen ein.
- ◆ Beeinträchtigung des Gehörs.
- ◆ Gesundheitsrisiken durch das Einatmen von Staub beim Gebrauch des Geräts (beispielsweise bei Holzarbeiten, insbesondere Eiche, Buche und Pressspan).

Nach dem Gebrauch

- ◆ Bewahren Sie das Gerät bei Nichtgebrauch an einem trockenen, gut belüfteten Ort außerhalb der Reichweite von Kindern auf.
- ◆ Kinder sollten keinen Zugang zu aufbewahrten Geräten haben.
- ◆ Wenn das Gerät in einem Fahrzeug transportiert oder gelagert wird, bewahren Sie es im Kofferraum oder einer geeigneten Ablage auf, damit es bei plötzlichen Geschwindigkeits- oder Richtungsänderungen nicht in Bewegung geraten kann.

Inspektion und Reparaturen

- ◆ Prüfen Sie das Gerät vor der Verwendung auf beschädigte oder defekte Teile.

Prüfen Sie, ob Teile beschädigt sind oder andere Bedingungen vorliegen, die die Funktion beeinträchtigen können.

- ◆ Betreiben Sie das Gerät nicht, wenn ein Teil beschädigt oder defekt ist.
- ◆ Lassen Sie beschädigte oder defekte Teile in einer Vertragswerkstatt reparieren oder austauschen.
- ◆ Ersetzen oder entfernen Sie keine Teile, für die in dieser Anleitung keine entsprechende Beschreibung enthalten ist.

Vibration

Die in den Abschnitten „Technische Daten“ und „EU-Konformitätserklärung“ angegebenen Werte für die Vibrationsemission wurden mit einer Standard-Prüfmethode nach EN 50636 ermittelt und können zum Vergleich verschiedener Geräte herangezogen werden. Außerdem kann mit Hilfe dieses Werts die Belastung bei Verwendung des Geräts schon im Voraus eingeschätzt werden.

Warnung! Die bei Verwendung des Geräts auftretende Vibrationsemission hängt von der Art des Gerätegebrauchs ab und kann dementsprechend von dem angegebenen Wert abweichen. Gegebenenfalls kann die Vibration über dem angegebenen Wert liegen.

Für die Ermittlung der Vibrationsbelastung müssen die tatsächlichen Einsatzbedingungen und Verwendungen des Geräts während des gesamten Arbeitsgangs berücksichtigt werden, einschließlich der Zeiten, wenn das Gerät nicht verwendet oder im Leerlauf betrieben wird. Diese Werte werden benötigt, um die gemäß 2002/44/EG erforderlichen Sicherheitsmaßnahmen

zum Schutz von Personen festlegen zu können.

Zusätzliche Sicherheitshinweise für Laubbläser

Der vorgesehene Verwendungszweck ist in dieser Anleitung beschrieben. Die Verwendung von Zubehör oder Anbauteilen, die nicht in dieser Anleitung empfohlen werden, sowie die Bedienung des Geräts in Abweichung von den in dieser Anleitung beschriebenen Verfahren kann zu Verletzungen und/oder Sachschäden führen.

- ◆ Tragen Sie zum Schutz Ihrer Füße und Beine stets feste Schuhe und eine lange Hose, wenn Sie mit dem Gerät arbeiten.
 - ◆ Schalten Sie in folgenden Fällen das Gerät stets aus, warten Sie, bis das Gebläse zum Stillstand gekommen ist, und nehmen Sie den Akku ab:
 - ◆ Wenn Sie das Gerät unbeaufsichtigt lassen.
 - ◆ Wenn eine Verstopfung entfernt werden muss.
 - ◆ Wenn das Gerät überprüft, eingestellt oder gereinigt wird.
 - ◆ Wenn das Gerät ungewöhnlich stark zu vibrieren beginnt.
 - ◆ Halten Sie während des Betriebs Ihre Augen und Ohren von der Saug- und der Auswurföffnung fern. Richten Sie das Gebläse nicht in Richtung von Personen in Ihrer Nähe.
 - ◆ Verwenden Sie das Gerät nicht bei Regen, und lassen Sie es nicht im Regen liegen.
 - ◆ Schalten Sie das Gerät vor dem Überqueren von Kieswegen aus. Betreiben Sie das Gerät nur im Gehen, nie im Rennen.
 - ◆ Legen Sie das eingeschaltete Gerät nicht auf Kies ab.
 - ◆ Achten Sie stets auf Trittsicherheit, insbesondere bei Arbeiten an Hängen. Achten Sie jederzeit auf einen sicheren Stand und eine sichere Balance.
 - ◆ Stecken Sie keine Gegenstände in die Öffnungen des Geräts. Verwenden Sie das Gerät nicht, wenn die Öffnungen verstopft sind. Halten Sie die Öffnungen frei von Haaren, Flusen, Staub usw., damit der Luftstrom nicht beeinträchtigt wird.
- Warnung!** Befolgen Sie beim Gebrauch stets die Anweisungen in dieser Anleitung. Verwenden Sie das Gerät nur in aufrechter Position, um Verletzungen zu vermeiden. Betreiben Sie das Gerät nicht mit der Saugöffnung nach oben oder wenn es auf der Seite liegt.
- ◆ Der Bediener bzw. Benutzer ist für eventuelle Personen- oder Sachschäden verantwortlich.
 - ◆ Reinigen Sie das Gerät keinesfalls mit Lösungs- oder Reinigungsmitteln. Verwenden Sie einen stumpfen Schaber, um Gras und Verschmutzungen zu entfernen.
 - ◆ Überprüfen Sie den Auffangbehälter regelmäßig auf Abnutzungen und Beschädigungen.
 - ◆ Ersatzgebläse sind in Black & Decker Vertragswerkstätten erhältlich. Verwenden Sie nur von Black & Decker empfohlene Ersatz- und Zubehörteile.
 - ◆ Ziehen Sie alle Muttern, Bolzen und Schrauben am Gerät fest, um einen sicheren Gerätebetrieb zu gewährleisten.

Zusätzliche Sicherheitshinweise für Akkus und Ladegeräte

Akkus

- Keinesfalls versuchen, den Akku zu öffnen.
- Achten Sie darauf, dass der Akku nicht mit Wasser in Berührung kommt.
- Nicht bei Temperaturen über 40 °C lagern.
- Laden Sie den Akku nur bei Umgebungstemperaturen von 10 °C bis 40 °C auf.
- Verwenden Sie ausschließlich das mitgelieferte Ladegerät.
- Beachten Sie zur Entsorgung von Akkus oder Batterien die Hinweise im Abschnitt „Umweltschutz“.

Ladegeräte

- Verwenden Sie das BLACK+DECKER Ladegerät nur für den Akku des Werkzeugs, mit dem es geliefert wurde. Andere Akkus können platzen und Sachschäden oder Verletzungen verursachen.
- Versuchen Sie keinesfalls, nicht aufladbare Batterien zu laden.
- Lassen Sie beschädigte Kabel sofort austauschen.
- Achten Sie darauf, dass das Ladegerät nicht mit Wasser in Berührung kommt.
- Versuchen Sie nicht, das Ladegerät zu öffnen.
- Nehmen Sie am Ladegerät keine Veränderungen vor.



Das Ladegerät darf nur im Innenbereich verwendet werden.



Vor Gebrauch die Anleitung lesen.

Elektrische Sicherheit



Das Ladegerät ist schutzisoliert, daher ist keine Erdleitung erforderlich. Stellen Sie sicher, dass die Netzspannung der auf dem Typenschild des Geräts angegebenen Spannung entspricht. Ersetzen Sie das Ladegerät keinesfalls durch ein normales Netzkabel.

- Bei einer Beschädigung des Netzkabels muss dieses durch den Hersteller oder eine BLACK+DECKER Vertragswerkstatt ausgetauscht werden, um mögliche Gefahren zu vermeiden.

Warnsymbole am Gerät

Die folgenden Warnsymbole sind am Gerät inkl. Datumscode angebracht:



Lesen Sie vor Inbetriebnahme die Bedienungsanleitung.



Tragen Sie eine Schutzbrille, wenn Sie mit dem Gerät arbeiten.



Tragen Sie einen geeigneten Gehörschutz, wenn Sie mit dem Gerät arbeiten.



Entfernen Sie den Akku aus dem Gerät, bevor Reinigungs- oder Wartungsarbeiten durchgeführt werden.



Achten Sie auf Gegenstände, die eventuell umhergeschleudert werden. Halten Sie andere Personen von der Schneidzone fern.



Schützen Sie das Gerät vor Feuchtigkeit und Regen.



Garantierter Schalldruckpegel, gemessen nach Richtlinie 2000/14/EG.

Merkmale

Dieses Gerät verfügt über einige oder alle der folgenden Merkmale:

1. Ein-/Aus-Schalter
2. Rohr
3. Leistungsregler (nur GWC1820PC).

Rohrbaugruppe

Hinweis: Stellen Sie sicher, dass der Laubbläser ausgeschaltet ist und der Akku entfernt wurde, bevor das Rohr angebracht oder entfernt wird. Das Rohr muss vor Inbetriebnahme am Gehäuse angebracht werden.

- ◆ Um das Rohr am Laubbläser anzubringen, richten Sie es wie in Abbildung A gezeigt am Laubbläsergehäuse aus.
- ◆ Schieben Sie das Rohr in das Laubbläsergehäuse, bis der Sicherungsknopf (4) in dem Sicherungsloch (5) im Rohr einrastet.

Anbringen des Akkus

- ◆ Setzen Sie den Akku in das Werkzeug ein, bis ein Klicken zu hören ist, wie in Abbildung B gezeigt wird. Achten Sie darauf, dass der Akku vollständig eingesetzt und eingearbeitet ist.

Entfernen des Akkus

- ◆ Drücken Sie die Batterie-Auslösetaste (6) hinten am Akku und ziehen Sie den Akku wie in Abbildung C dargestellt aus dem Gerät heraus.

Betrieb

Warnung! Tragen Sie immer eine Schutzbrille. Tragen Sie eine Filtermaske, wenn bei der Arbeit Staub erzeugt wird. Es wird das Tragen von Handschuhen, langen Hosen und festem Schuhwerk empfohlen. Halten Sie lange Haare und lockere Kleidung fern von Öffnungen und rotierenden Teilen. **DIESER LAUBBLÄSER IST NICHT FÜR DEN GEWERBLICHEN EINSATZ VORGESEHEN.**

- ◆ Halten Sie den Laubbläser wie in Abbildung D gezeigt mit einer Hand fest und bewegen Sie ihn hin und her, wobei die Düse einige Zentimeter über dem Boden bleibt. Bewegen Sie sich langsam vorwärts und halten Sie dabei den gesammelten Laubhaufen vor sich.

Ein- und Ausschalten

Warnung! Halten Sie das Gerät beim Einschalten mit beiden Händen sicher fest.

Warnung! Richten Sie den Auslass des Geräts nicht auf sich selbst oder Umstehende.

- ◆ Um den Laubbläser einzuschalten, schieben Sie den Ein-/Aus-Schalter wie in Abbildung E1 und E2 gezeigt nach vorne.

- ◆ Um den Laubbläser auszuschalten, schieben Sie den Ein-/Aus-Schalter wie in Abbildung F1 und F2 gezeigt nach hinten.

POWERCOMMAND-Funktion

Die POWERCOMMAND-Funktion (3) befindet sich am Griff des Modells GWC1820PC, siehe Abbildung G. Mit diesem Regler können Sie die Geräteleistung optimieren und wie gewünscht regeln.

- ◆ Schalten Sie den Laubbläser ein.
- ◆ Halten Sie zur Aktivierung des "Boost"-Modus die POWERCOMMAND-Taste gedrückt.
- ◆ Zur Deaktivierung des "Boost"-Modus lassen Sie die POWERCOMMAND-Taste los.
- ◆ Bei den meisten Arbeiten sollte sich der Regler im Modus „Normal“ befinden. (So lässt sich eine längere Betriebsdauer erzielen.)
- ◆ Aktivieren Sie den "Boost"-Modus bei Bedarf, wenn z.B. schweres oder nasses Laub bewegt werden soll.

Fehlerbehebung

Problem	Mögliche Ursache	Mögliche Lösung
Gerät startet nicht.	Akku wurde nicht ordnungsgemäß angebracht.	Prüfen Sie, ob der Akku richtig angebracht wurde.
	Der Akku ist nicht geladen.	Prüfen Sie die erforderliche Ladekapazität.
Akku lädt nicht.	Akku befindet sich nicht im Ladegerät.	Akku so in das Ladegerät einsetzen, dass die grüne LED leuchtet.
	Das Ladegerät ist nicht mit dem Stromnetz verbunden.	Stecken Sie den Stecker des Ladegeräts in eine aktive Steckdose. Weitere Details finden Sie unter „Wichtige Hinweise zum Aufladen“.
		Prüfen Sie, ob die Steckdose unter Spannung steht, indem Sie eine Lampe oder ein anderes Gerät an die Steckdose anschließen.
		Überprüfen Sie, ob die Steckdose mit einem Lichtschalter verbunden ist, der auch das Gerät ausschaltet, wenn das Licht ausgeschaltet wird.
	Umgebungstemperatur zu hoch oder zu niedrig.	Bringen Sie das Ladegerät und das Werkzeug an einen Ort, der eine Umgebungstemperatur von über 4,5°C und unter +40,5°C aufweist.

Umweltschutz



Getrennte Entsorgung. Produkte und Akkus mit diesem Symbol dürfen nicht mit dem normalen Hausmüll entsorgt werden.

Produkte und Akkus enthalten Materialien, die wiederverwertet werden können, um den Bedarf an Rohstoffen zu verringern. Bitte recyceln Sie elektrische Produkte und Akkus gemäß den örtlichen Bestimmungen.

Akkus



Beachten Sie bei der Entsorgung von verbrauchten Batterien/Akkus den Umweltschutz:

- ◆ Entladen Sie den Akku vollständig, und entfernen Sie ihn dann aus dem Gerät.
- ◆ NiCd-, NiMH- und Lithium-Ionen-Akkus sind recycelbar. Verpacken Sie die Akkus in einem geeigneten Behälter, sodass die Akkukontakte nicht kurzgeschlossen werden können. Bringen Sie die Batterien oder Akkus zu einer autorisierten Vertragswerkstatt oder zu einer Rücknahmestelle in Ihrer Nähe.
- ◆ Achten Sie darauf, dass die Kontakte nicht kurzgeschlossen werden.
- ◆ Werfen Sie Akkus nicht ins Feuer, da dies Verletzungen oder eine Explosion zur Folge haben kann.

Technische Daten

GWC1815		
Eingangsspannung	V _{oc}	18
Drehzahl ohne Last	/min	12500
Gewicht	kg	1.7

Akku BL1518		
Spannung	V _{oc}	18
Kapazität	Ah	1.5
Typ	Li-Ionen	
Ladegerät	400mA	

GWC1820PC		
Eingangsspannung	V _{oc}	18
Drehzahl ohne Last	/min	10.000 - 12.500
Gewicht	kg	1.7

Akku BL2018		
Spannung	V _{oc}	18
Kapazität	Ah	2
Typ	Li-Ionen	
Ladegerät	400mA	

Gewichteter Hand-/Arm-Vibrationswert nach EN 50636-2-91:

= < 2,5 m/s, Unsicherheitsfaktor (K) = 1,5 m/s².

L_{wa} (Schalldruck) 72 dB(A)

Unsicherheitsfaktor (K) = 2,8 dB(A)

EU-Konformitätserklärung

**MASCHINENRICHTLINIE
AUSSENLAUTSTÄRKERICHTLINIE**



Laubbläser GWC1815/GWC1820PC

Black & Decker erklärt, dass die unter „Technische Daten“ beschriebenen Geräte übereinstimmen mit: 2006/42/EG, EN 60335-1:2012 + A11:2014 EN 50636-2-91:2014

2000/14/EG, Rasentrimmer, L ≤ 50 cm, Anhang VIII DEKRA Certification B.V., Utrechtseweg 310, 6802 ED Arnhem, Niederlande Gemeldet unter ID-Nr.: 0344

Schallpegel gemäß 2000/14/EG (Artikel 12, Anhang III, L ≤ 50 cm):
L_{wa} (gemessene Schalleistung) 86 dB(A)
Unsicherheitsfaktor (K) = 2,8 dB(A)
L_{wa} (garantierte Schalleistung) 89 dB(A)

Diese Produkte entsprechen außerdem den Richtlinien 2014/30/EU, 2011/65/EU

Weitere Informationen erhalten Sie von Black & Decker unter der folgenden Adresse. Diese befindet sich auch auf der Rückseite dieser Anleitung.

Der Unterzeichnete ist verantwortlich für die Zusammenstellung der technischen Daten und gibt diese Erklärung im Namen von Black & Decker ab.

R. Laverick
Director of Engineering
Black & Decker Europe, 210 Bath Road, Slough,
Berkshire, SL1 3YD
Vereinigtes Königreich
10.11.2015

Garantie

Black & Decker vertraut auf die Qualität der eigenen Geräte und bietet dem Käufer eine außergewöhnliche Garantie von 24 Monaten ab Kaufdatum. Diese Garantie versteht sich unbeschadet der gesetzlichen Gewährleistungsansprüche und schränkt diese keinesfalls ein. Diese Garantie gilt innerhalb der Staatsgebiete der Mitgliedstaaten der Europäischen Union und der Europäischen Freihandelszone.

Zur Inanspruchnahme dieser Garantie muss sie den allgemeinen Geschäftsbedingungen von Black&Decker entsprechen und dem Verkäufer bzw. der Vertragswerkstatt ist ein Kaufnachweis vorzulegen. Die Bedingungen für die 2-jährige Garantie von Black&Decker und den Standort Ihrer nächstgelegenen Vertragswerkstatt finden Sie im Internet unter www.2helpU.com oder indem Sie sich an die lokale Black&Decker-Niederlassung wenden, deren Adresse Sie in dieser Anleitung finden.

Ihr neues Black & Decker Produkt können Sie auf unserer Website unter www.blackanddecker.de registrieren. Dort erhalten Sie auch Informationen über neue Produkte und Sonderangebote.

Utilisation prévue

Utilisation prévue

Votre souffleur BLACK+DECKER GWC1815 et GWC1820PC a été conçu pour éliminer les feuilles. Cet appareil est prévu pour un usage domestique uniquement.

Consignes de sécurité

Avertissement ! De simples précautions sont à prendre pour l'utilisation d'appareil sans fil ou branché à l'alimentation principale. Les conseils suivants doivent toujours être appliqués, ceci afin de réduire le risque d'incendie, les chocs électriques, les blessures et les dommages matériels.

- ◆ Lisez attentivement l'intégralité de ce manuel avant d'utiliser l'appareil.
- ◆ L'utilisation prévue de cette machine est décrite dans ce manuel. L'utilisation d'un accessoire ou de cet appareil à d'autres fins que celles recommandées dans ce manuel d'instructions peut présenter un risque de blessures.
- ◆ Gardez ce manuel pour pouvoir vous y référer dans le futur.

Utilisation de votre appareil

Prenez toutes les précautions nécessaires lorsque vous utilisez l'appareil.

- ◆ Portez toujours des lunettes de protection.
- ◆ Ne laissez jamais les enfants, les personnes ayant des capacités physiques, sensorielles ou mentales réduites ou manquant d'expérience et de connaissances ou les personnes non familiarisées avec ces instructions, utiliser la machine. La réglementation locale peut restreindre l'âge des utilisateurs.

- ◆ N'utilisez jamais la machine si des personnes et tout particulièrement des enfants ou des animaux domestiques se trouvent à proximité.
- ◆ Ne laissez jamais les enfants ou toute autre personne ne connaissant pas ces instructions, utiliser l'appareil.
- ◆ Ne laissez pas les enfants ou les animaux s'approcher de la zone de travail ou toucher l'appareil ou le fil électrique.
- ◆ Les enfants doivent être surveillés avec attention s'ils se trouvent près de l'appareil pendant l'utilisation.
- ◆ Cet appareil n'est pas destiné à être utilisé par des personnes jeunes ou déficientes sans surveillance.
- ◆ Cet appareil ne doit pas être utilisé comme jouet.
- ◆ N'utilisez cet appareil que de jour ou avec un éclairage artificiel approprié.
- ◆ Ne l'utilisez que des endroits secs. Ne laissez pas l'appareil être mouillé.
- ◆ Évitez d'utiliser l'appareil si les conditions climatiques sont mauvaises, tout particulièrement lorsqu'il y a un risque de foudre.
- ◆ Ne plongez pas l'appareil dans l'eau.
- ◆ N'ouvrez pas le corps de l'appareil. Il n'y a aucune pièce réparable par l'utilisateur à l'intérieur.
- ◆ N'utilisez pas l'appareil dans un environnement présentant des risques d'explosion, ni en présence de liquides, gaz ou poussières inflammables.
- ◆ L'appareil ne doit être utilisé qu'avec l'alimentation électrique fournie.

Risques résiduels.

Certains risques résiduels autres que ceux mentionnés dans les avertissements sur la sécurité peuvent survenir en utilisant l'outil.

Ces risques peuvent être provoqués par une utilisation incorrecte, prolongée, etc...

Malgré l'application des normes de sécurité pertinentes et la présence de dispositifs de sécurité, certains risques résiduels ne peuvent pas être évités., Ils comprennent :

- ◆ Les blessures dues au contact avec une pièce rotative/mobile.
- ◆ Les blessures dues au remplacement de pièces, lames ou accessoires.
- ◆ Les blessures dues à l'utilisation prolongée d'un outil. Lorsque l'outil est utilisé pendant de longues périodes, assurez-vous de faire des pauses régulières.
- ◆ Perte de l'ouïe.
- ◆ Les risques sanitaires dus à l'inhalation de poussières émises pendant l'utilisation de l'outil (exemple : travail avec du bois, surtout le chêne, le hêtre et les panneaux en MDF).

Après utilisation

- ◆ Quand il n'est pas utilisé, l'appareil doit être rangé dans un endroit sec, suffisamment aéré et hors de portée des enfants.
- ◆ Les enfants ne doivent pas avoir accès aux appareils rangés.
- ◆ Quand l'appareil est rangé ou transporté dans un véhicule, il doit être installé dans le coffre ou correctement calé afin d'éviter les mouvements dus aux changements de direction ou de vitesse.

Vérification et réparations

- ◆ Avant utilisation, vérifiez que les pièces de l'appareil sont en bon état.

Contrôlez l'absence de pièces cassées ou toutes autres anomalies susceptibles de nuire au bon fonctionnement de l'appareil.

- ◆ N'utilisez pas l'appareil si une pièce est endommagée ou défectueuse.
- ◆ Faites réparer ou remplacer les pièces défectueuses ou endommagées par un réparateur agréé.
- ◆ Ne tentez jamais de retirer ou de remplacer des pièces autres que celles citées dans ce manuel.

Vibrations

Les valeurs de vibrations émises déclarées dans les données techniques et la déclaration de conformité ont été mesurées conformément à une méthode de test normalisée spécifiée dans la norme EN 50636 et elles peuvent être utilisées pour comparer un outil à un autre. Les valeurs de vibrations émises déclarées peuvent également être utilisées pour une évaluation préliminaire de l'exposition.

Avvertissement ! Les valeurs de vibrations émises pendant l'utilisation de l'outil électrique peuvent varier de celles qui sont déclarées en fonction de la façon dont l'outil est effectivement utilisé. Le niveau des vibrations peut dépasser le niveau déclaré.

Quand l'exposition aux vibrations est évaluée afin de déterminer les mesures de sécurité requises par la norme 2002/44/CE pour protéger les personnes utilisant régulièrement des outils électriques, cette évaluation de l'exposition aux vibrations doit tenir compte des conditions réelles d'utilisation et de la façon dont l'outil est utilisé.

Il faut également tenir compte de toutes les composantes du cycle de fonctionnement comme la durée pendant laquelle l'outil est arrêté et quand il fonctionne au ralenti, ainsi que la durée du déclenchement.

Consignes de sécurité supplémentaires relatives aux souffleurs

Ce manuel décrit la manière d'utiliser cet outil. L'utilisation d'un accessoire ou d'une fixation, ou bien l'utilisation de cet appareil à d'autres fins que celles recommandées dans ce manuel d'instructions peut entraîner des blessures et/ou des dommages matériels.

- ◆ Afin de protéger vos pieds et vos jambes pendant le fonctionnement de l'appareil, portez toujours des chaussures robustes et un pantalon.
- ◆ Éteignez toujours l'appareil, laissez le ventilateur s'arrêter et retirez la batterie quand :
- ◆ Vous laissez l'appareil sans surveillance.
 - ◆ Vous éliminez un bouchage.
 - ◆ Vous inspectez, réglez, nettoyez ou réparez votre appareil.
 - ◆ L'appareil commence à vibrer anormalement.
- ◆ Ne placez pas l'entrée ou la sortie d'aspiration près de vos yeux ou de vos oreilles quand l'appareil est en marche. Ne soufflez jamais de débris vers les éventuelles personnes alentour.
- ◆ N'utilisez pas l'appareil sous la pluie et ne le laissez pas dehors par temps pluvieux.

- ◆ Ne traversez pas des passages gravillonnés si votre appareil est en marche. Marchez toujours, ne courez jamais.
- ◆ Ne posez pas l'appareil sur les graviers quand il est en marche.
- ◆ Ayez toujours une démarche sûre, surtout en pente. Ne présumez pas de vos forces et gardez votre équilibre en permanence.
- ◆ Ne placez aucun objet dans les ouvertures. N'utilisez jamais l'appareil si les ouvertures sont bloquées – dégagez la poussière, les cheveux et les peluches qui pourraient bloquer la circulation de l'air.

Avertissement ! Utilisez toujours cet appareil en respectant les consignes de ce manuel. Votre appareil doit être utilisé à la verticale pour éviter les risques de blessures. N'utilisez jamais cet appareil à l'envers ou s'il est posé sur le côté.

- ◆ L'utilisateur est responsable des accidents ou des situations dangereuses survenant sur autrui ou sur leurs biens.
- ◆ N'utilisez pas de solvants ou de liquide de nettoyage pour nettoyer votre appareil. Utilisez un racloir pour retirer l'herbe et les saletés.
- ◆ Vérifiez régulièrement l'absence d'usure ou de détérioration sur le sac de récupération.
- ◆ Des ventilateurs de rechange sont disponibles chez votre réparateur agréé Black & Decker. N'utilisez que des pièces de rechange et des accessoires recommandés par Black & Decker.
- ◆ Les écrous, boulons et vis doivent être correctement serrés pour travailler en toute sécurité.

Batteries

- ◆ Ne tentez jamais sous aucun prétexte de les ouvrir.
- ◆ Ne mettez pas la batterie/pile en contact avec l'eau.
- ◆ Ne les stockez pas dans des endroits où la température peut dépasser 40 °C.
- ◆ Ne les rechargez qu'à une température ambiante comprise entre 10° C et 40° C.
- ◆ Ne les rechargez qu'à l'aide du chargeur fourni avec l'outil.
- ◆ Pour la mise au rebut des batteries/piles, respectez les instructions mentionnées à la section « Protection de l'environnement ».

Chargeurs

- ◆ N'utilisez votre chargeur BLACK+DECKER que pour recharger la batterie fournie avec l'outil. D'autres batteries pourraient exploser et provoquer des blessures et des dommages.
- ◆ Ne tentez jamais de recharger des batteries non rechargeables.
- ◆ Faites immédiatement remplacer les cordons endommagés.
- ◆ N'exposez pas le chargeur à l'eau.
- ◆ N'ouvrez pas le chargeur.
- ◆ Ne sondez pas le chargeur.



Le chargeur est conçu pour être exclusivement utilisé à l'intérieur.



Lisez le manuel d'utilisation avant de l'utiliser.

Consignes de sécurité supplémentaires relatives aux batteries/piles et aux chargeurs

Sécurité électrique



Votre chargeur dispose d'une double isolation ; aucun fil de terre n'est donc nécessaire. Vérifiez toujours que la tension indiquée sur la plaque signalétique de l'appareil correspond à la tension du secteur. N'essayez jamais de remplacer le chargeur par une prise secteur ordinaire.

- ◆ Si le câble d'alimentation est endommagé, il doit être remplacé par le fabricant ou par un centre de réparation agréé BLACK+DECKER afin d'éviter tout accident.

Étiquettes apposées sur l'appareil

Les pictogrammes qui suivent figurent sur l'outil avec le code date :



Lisez le manuel avant de l'utiliser.



Portez toujours des lunettes de protection pour utiliser cet appareil.



Portez toujours des protections auditives appropriées pour utiliser cet appareil.



Retirez toujours la batterie de l'appareil avant toute opération de nettoyage ou de maintenance.



Faites attention aux projections d'objets. Éloignez toute personne de la zone de coupe.



N'exposez pas l'appareil à la pluie ou à l'humidité.



Puissance sonore garantie conforme à la Directive 2000/14/CE.

Caractéristiques

Cet appareil présente tout ou partie des caractéristiques suivantes.

1. Interrupteur Marche/Arrêt
2. Tube
3. Bouton POWERCOMMAND (GWC1820PC uniquement).

Assemblage du tube

Remarque : Assurez-vous que le souffleur est éteint que la batterie est retirée avant de fixer ou de retirer le tube. Le tube doit être assemblé au corps de l'appareil avant utilisation.

- ◆ Pour fixer le tube au souffleur, alignez-le avec le corps du souffleur comme illustré par la figure A.
- ◆ Enfoncez le tube dans le corps du souffleur jusqu'à ce que le bouton de verrouillage (4) s'engage dans le trou de blocage (5) du tube.

Pour installer le bloc-batterie

- ◆ Insérez le bloc-batterie dans l'outil jusqu'à entendre un clic comme illustré par la figure B. Assurez-vous que le bloc-batterie est bien en place et complètement verrouillé.

Pour retirer le bloc-batterie

- ◆ Appuyez sur le bouton de libération de la batterie (6) à l'arrière du bloc-batterie et tirez sur le bloc-batterie pour le sortir de l'outil comme indiqué sur la figure C.

Fonctionnement

Avertissement ! Portez toujours des lunettes de protection. Portez un masque filtrant si l'opération risque d'être poussiéreuse. L'utilisation de gants, d'un pantalon et de chaussures robustes est recommandée. Éloignez les cheveux longs et les vêtements amples des ouvertures et des pièces mobiles. CE SOUFFLEUR EST EXCLUSIVEMENT RÉSERVÉ À UN USAGE DOMESTIQUE.

- ◆ Tenez le souffleur d'une main comme illustré par la figure D et balayez l'asurface d'un côté à l'autre, la buse devant se trouver à plusieurs centimètres du sol. Avancez doucement en gardant l'amas de débris devant vous.

Mise en marche et arrêt

Avertissement ! Tenez fermement l'appareil avec les deux mains pendant le fonctionnement.

Avertissement ! Ne pointez pas l'évacuation de l'appareil vers vous-même ou les autres.

- ◆ Pour allumer le souffleur, glissez l'interrupteur Marche/Arrêt vers l'avant comme illustré par les figures E1 et E2.
- ◆ Pour éteindre le souffleur, glissez l'interrupteur Marche/Arrêt vers l'arrière comme illustré par les figures F1 et F2.

Fonction POWERCOMMAND

La fonction POWERCOMMAND (3) se trouve sur la poignée du GWC1820PC comme le montre la figure G. Elle vous permet d'optimiser les performances de l'outil et d'augmenter sa puissance en cas de besoin.

- ◆ Allumez le souffleur.
- ◆ Pour activer le mode «Boost», maintenez enfoncé bouton POWERCOMMAND.
- ◆ Pour désactiver le mode «Boost», relâchez le bouton POWERCOMMAND.

- ◆ Le mode de fonctionnement «Normal» convient à la plupart des opérations. (Il permet de prolonger la durée d'autonomie.)
- ◆ Activez la mode «Boost» pour éliminer les gros débris ou les débris humides.

- ◆ Déchargez complètement la batterie, puis retirez-la de l'outil.
- ◆ Les batteries NiCd, NiMH et Li-Ion sont recyclables. Placez la ou les batteries dans un emballage adapté pour éviter le court-circuitage des bornes. Déposez-les chez un réparateur agréé ou dans un centre de recyclage local.
- ◆ Ne court-circuitiez pas les bornes des piles.
- ◆ Ne jetez pas la ou les batteries/piles au feu, elles pourraient exploser ou provoquer des blessures.

Dépannage

Problème	Cause possible	Solution possible
L'appareil ne démarre pas.	Le bloc-batterie n'est pas bien installé.	Vérifiez l'installation du bloc-batterie.
	La batterie n'est pas chargée.	Vérifiez les conditions de charge du bloc-batterie.
Le bloc-batterie ne se recharge pas.	La batterie n'est pas correctement insérée dans le chargeur.	Insérez la batterie dans le chargeur jusqu'à ce que le voyant vert apparaisse.
	Le chargeur n'est pas branché.	Branchez le chargeur dans une prise murale qui fonctionne. Consultez la section "Remarques importantes sur la charge" pour avoir plus de détails.
		Vérifiez le courant en branchant une lampe ou un autre appareil dans la prise murale.
		Vérifiez que la prise de courant n'est pas reliée à un interrupteur coupant l'alimentation lorsqu'on éteint l'éclairage.
La température ambiante est trop chaude ou trop froide.	Déplacez le chargeur et l'outil dans un endroit où la température ambiante est supérieure à 40°F (4,5°C) ou inférieure à 105°F (+40,5C)	

Données techniques

GWC1815		
Tension d'entrée	V _{ca}	18
Régime à vide	t/min	12500
Poids	kg	1,7

Batterie			BL1518
Tension	V _{cc}	18	
Capacité	Ah	1,5	
Type	Li-Ion		
Chargeur	400mA		

GWC1820PC		
Tension d'entrée	V _{ca}	18
Régime à vide	/min	10 000 - 12 500
Poids	kg	1,7

Batterie			BL2018
Tension	V _{cc}	18	
Capacité	Ah	2	
Type	Li-Ion		
Chargeur	400mA		

Protection de l'environnement



Tri sélectif. Les produits et batteries marqués de ce symbole ne doivent pas être jetés avec les déchets ménagers.

Les produits et batteries contiennent des matières qui peuvent être récupérées et recyclées afin de réduire la demande en matières premières. Veuillez recycler les produits électriques et les batteries conformément aux dispositions locales en vigueur.

Batteries



À la fin de leur durée de vie, jetez les batteries usagées en respectant l'environnement :

Valeur de vibration pondérée main/bras selon la norme EN 50636-2-91:

$$= < 2,5 \text{ m/s}^2, \text{ incertitude (K) } = 1,5 \text{ m/s}^2.$$

$$L_{w} \text{ (pression sonore) } 72 \text{ dB(A)}$$

$$\text{incertitude (K) } = 2,8 \text{ dB(A)}$$

Déclaration de conformité CE

**DIRECTIVES MACHINES
DIRECTIVE RELATIVE AUX NUISANCES SONORES EX-
TÉRIEURES**

**Souffleur GWC1815/GWC1820PC**

Black & Decker déclare que les produits décrits dans les
«Données techniques» sont conformes aux normes :
2006/42/CE, EN 60335-1:2012 + A11:2014
EN 50636-2-91:2014

2000/14/CE, Coupe-bordure, L ≤ 50 cm, Annexe VIII
DEKRA Certification B.V., Utrechtseweg 310,
6802 ED Arnhem, Pays-Bas
N° ID corps : 0344

Niveau de puissance sonore selon la norme 2000/14/CE
(Article 12, Annexe III, L ≤ 50 cm) :
L_{wa} (puissance sonore mesurée) 86 dB(A)
incertitude (K) = 2,8 dB(A)
L_{wa} (puissance sonore garantie) 89 dB(A)
Ces produits sont également conformes aux Directives
2014/30/EU, 2011/65/EU

Pour plus de détails, veuillez contacter Black & Decker à
l'adresse suivante ou vous reporter au dos du manuel.
Le soussigné est responsable des données de la fiche tech-
nique et fait cette déclaration au nom de Black & Decker.

R. Laverick
Directeur Ingénierie
Black & Decker Europe, 210 Bath Road, Slough,
Berkshire, SL1 3YD
Royaume-Uni
10/11/2015

Garantie

Black & Decker assure la qualité de ses produits et offre
une garantie* de 24 mois aux utilisateurs, à partir de la date
d'achat. Cette garantie s'ajoute à vos droits légaux auxquels
elle ne porte aucunement préjudice. Cette garantie est valable
au sein des territoires des États membres de l'Union Euro-
péenne et au sein de la Zone européenne de libre-échange.

Pour prétendre à la garantie, la réclamation doit être en
conformité avec les conditions générales de Black & Decker
et vous devez fournir une preuve d'achat au vendeur ou au ré-
parateur agréé. Les conditions générales de la garantie de 2
ans Black&Decker ainsi que l'adresse du réparateur agréé le
plus proche sont disponibles sur le site Internet www.2helpU.com
ou en contactant votre agence Black & Decker locale à
l'adresse indiquée dans ce manuel.

Veuillez consulter notre site Internet www.blackanddecker.co.uk
pour enregistrer votre nouveau produit Black & Decker
et pour être tenu informé des nouveaux produits et offres
spéciales.

Uso previsto

Gli aspiratori BLACK+DECKER GWC1815 e GWC1820PC sono stati progettati per la pulizia delle foglie. Questo elettro-utensile è stato progettato solo per uso individuale.

Istruzioni di Sicurezza

Avvertenza! Quando si usano elettro-utensili alimentati elettricamente, con o senza filo, osservare sempre le normali precauzioni di sicurezza per ridurre il rischio di incendio, scosse elettriche, lesioni personali e danni materiali.

- ◆ Leggere attentamente il presente manuale prima di usare l'elettro-utensile.
- ◆ L'uso previsto è descritto nel presente manuale. Se questo elettro-utensile viene usato con accessori o per usi diversi da quelli raccomandati nel presente manuale d'uso, si potrebbero verificare lesioni personali.
- ◆ Conservare il presente manuale per futura consultazione.

Utilizzo dell'elettro-utensile

Prestare sempre attenzione quando si usa l'elettro-utensile.

- ◆ Indossare sempre occhiali di sicurezza.
- ◆ Non consentire mai a bambini, persone con capacità fisiche, sensoriali o mentali ridotte o prive di esperienza e conoscenze o a persone non familiari con le presenti istruzioni di utilizzare la macchina, le normative locali potrebbero limitare l'età dell'operatore. Non utilizzare la macchina mentre le persone, specialmente i bambini o gli animali, sono nelle vicinanze.
- ◆ Vietare l'uso dell'elettro-utensile a bambini e ad adulti che non abbiano letto il presente manuale.
- ◆ Vietare a bambini o ad animali di avvicinarsi all'area di lavoro o di toccare l'elettro-utensile o il filo di alimentazione.

- ◆ Prestare la massima attenzione quando si usa l'elettro-utensile vicino ai bambini.
- ◆ Questo elettro-utensile non è destinato all'uso da parte di ragazzi o persone inferme senza supervisione.
- ◆ Questo elettro-utensile non deve essere usato come un giocattolo.
- ◆ Usare l'elettrodomestico solo alla luce del giorno o con una buona luce artificiale.
- ◆ Usare esclusivamente in un luogo asciutto. Evitare che l'elettro-utensile si bagni.
- ◆ Evitare di utilizzare l'apparecchio in caso di maltempo, soprattutto quando vi è il rischio di fulmini.
- ◆ Non immergere l'elettro-utensile in acqua.
- ◆ Non aprire il corpo dell'elettro-utensile, dato che al suo interno non vi sono componenti riparabili.
- ◆ Evitare di impiegare questo elettro-utensile in ambienti esposti al rischio di esplosione, ad esempio in presenza di liquidi, gas o polveri infiammabili.
- ◆ Questo elettrodomestico deve essere utilizzato solo con l'alimentatore fornito.

Rischi residui.

L'utilizzo dell'apparecchio può comportare altri rischi non contemplati negli avvisi di sicurezza qui riportati.

Tali rischi possono sorgere a seguito di un uso prolungato o improprio, ecc. Pur osservando le norme di sicurezza e utilizzando dispositivi di protezione adeguati, certi rischi non possono essere evitati. Sono inclusi:

- ◆ Lesioni causate o subite a seguito del contatto con parti rotanti/in movimento.
- ◆ Lesioni causate o subite durante la sostituzione di parti, lame o accessori.

- ◆ Lesioni causate dall'impiego prolungato di un utensile. Quando si usa qualsiasi apparecchio per lunghi periodi, accertarsi di fare regolarmente delle pause.
- ◆ Menomazioni uditive.
- ◆ Rischi per la salute causati dall'aspirazione di polvere generata dall'utilizzo dell'elettro utensile (ad esempio quando si lavora con il legno, in modo particolare quello di quercia o faggio o l'MDF.)

Dopo l'impiego

- ◆ Quando non viene usato, l'elettro utensile deve essere conservato in un luogo asciutto e ben ventilato, fuori dalla portata dei bambini.
- ◆ Gli elettro utensili riposti non devono essere accessibili ai bambini.
- ◆ Se conservato o trasportato in un veicolo, l'elettro utensile deve essere riposto nel bagagliaio o legato per evitare che si sposti in caso di cambiamento repentino della velocità o della direzione di marcia.

Ispezione e riparazioni

- ◆ Prima dell'uso, verificare che l'elettro utensile non sia danneggiato e non presenti parti difettose. Controllare che non vi siano parti rotte o altre condizioni che potrebbero avere ripercussioni sulle prestazioni.
- ◆ Non usare l'elettro utensile se alcune parti sono danneggiate o difettose.
- ◆ Far riparare o sostituire le parti danneggiate o difettose da un tecnico autorizzato.
- ◆ Non tentare di smontare o sostituire delle parti, ad eccezione di quelle specificate nel presente manuale.

Vibrazioni

I valori di emissioni delle vibrazioni dichiarati riportati nei dati tecnici e la dichiarazione di conformità sono stati misurati in conformità con un metodo di collaudo standard disposto da EN 50636 e possono essere utilizzati per confrontare un apparato con un altro. Anche il valore di emissioni dichiarato può essere utilizzato in una valutazione preliminare di esposizione.

Avvertenza! Il valore di emissione delle vibrazioni durante l'uso effettivo dell'elettro utensile può differire dal valore dichiarato a seconda delle modalità con cui viene utilizzato l'utensile.

Il livello delle vibrazioni può aumentare oltre quello dichiarato. Durante la valutazione dell'esposizione alle vibrazioni per determinare le misure di sicurezza richieste da 2002/44/CE per proteggere periodicamente le persone che utilizzano elettro utensili nel loro impiego, una stima dell'esposizione alle vibrazioni deve considerare le condizioni di utilizzo effettive e la modalità con cui viene utilizzato l'utensile, tenendo conto del ciclo di funzionamento come i tempi di spegnimento dell'utensile e quando gira a vuoto in aggiunta al tempo di attivazione.

Altre precauzioni di sicurezza per gli aspiratori

L'uso previsto è descritto nel presente manuale. L'uso di questo elettroutensile con accessori o altre parti montate oppure per scopi diversi da quelli raccomandati nel presente manuale, potrebbe essere causa di lesioni personali e/o danni materiali.

- ◆ Per proteggere piedi e gambe durante l'impiego dell'elettrodomestico, indossare sempre calzature da lavoro robuste e calzoni lunghi.
- ◆ Spegnerne sempre il prodotto, lasciare che la ventola smetta di girare e scollegare la spina dalla presa di corrente quando :
- ◆ Si lascia il prodotto incustodito.
 - ◆ Si elimina un intasamento.
 - ◆ Si eseguono dei controlli, regolazioni, interventi di pulitura o manutenzione sul prodotto.
 - ◆ L'elettroutensile comincia a vibrare in modo anomalo.
- ◆ Non appoggiare l'aspirazione o lo scarico dell'aspiratore vicino a occhi o orecchie durante l'uso. Non soffiare mai detriti verso gli astanti.
- ◆ Non usarlo e non lasciarlo esposto alla pioggia.
- ◆ Non attraversare sentieri o strade coperti di ghiaia quando il prodotto è acceso nella modalità di soffiatura/ aspirazione. Camminare, non correre.
- ◆ Non appoggiare l'elettrodomestico sulla ghiaia mentre è acceso.
- ◆ Mantenere un buon equilibrio, in modo particolare sui pendii. Mantenersi sempre saldi sui piedi e bene equilibrati, evitando di sporgersi.

- ◆ Non inserire oggetti nelle aperture nell'elettroutensile. Non usarlo mai se le aperture sono bloccate – mantenerlo libero da capelli, lanugine, polvere e da qualsiasi cosa che possa limitare il passaggio dell'aria.

Avvertenza! Usare sempre il prodotto come descritto nel presente manuale. Il prodotto è stato progettato per essere usato verticalmente e, se lo si utilizza in modo diverso, si possono causare lesioni. Non far mai funzionare il prodotto quando è appoggiato di fianco o è capovolto.

- ◆ L'operatore è responsabile di eventuali rischi o incidenti che coinvolgono terzi o le loro cose.
- ◆ Non usare solventi o detergenti per pulire il prodotto. Usare un raschietto non appuntito per eliminare erba e sporcizia.
- ◆ Controllare di frequente il sacco di raccolta per vedere che non sia usurato o rovinato.
- ◆ Le ventole di ricambio sono reperibili presso un rivenditore autorizzato Black & Decker. Usare solo ricambi e accessori raccomandati da Black & Decker.
- ◆ Mantenere sempre ben saldi dadi, bulloni e viti per garantire che l'elettrodomestico funzioni in modo sicuro.

Istruzioni di sicurezza aggiuntive per batterie e caricabatterie

Batterie

- ◆ Non tentare mai di aprire le batterie per qualsiasi motivo.
- ◆ Non lasciare che la batteria si bagni.
- ◆ Non riporre in luoghi dove la temperatura potrebbe superare 40°C.
- ◆ Caricare solo a temperature ambiente comprese tra 10°C e 40°C.

- ◆ Caricare solo usando il caricabatterie fornito con l'elettrotensile.
- ◆ Quando si smaltiscono le batterie, seguire le istruzioni riportate al capitolo "Protezione dell'ambiente".

Caricabatterie

- ◆ Usare l'alimentatore BLACK+DECKER solo per caricare la batteria nell'apparecchio con il quale è stato fornito. Altre batterie potrebbero scoppiare causando lesioni alle persone e danni alle cose.
- ◆ Non tentare mai di caricare batterie non ricaricabili.
- ◆ Fare sostituire immediatamente i fili di alimentazione difettosi.
- ◆ Non lasciare che il caricabatterie si bagni.
- ◆ Non aprire il caricabatterie.
- ◆ Non collegare il caricabatterie a sonde.



L'alimentatore può solo essere usato all'interno



Leggere il presente manuale d'uso prima dell'impiego.

- ◆ In caso di danneggiamento del cavo di alimentazione, è necessario farlo riparare dal fabbricante o presso un centro assistenza BLACK+DECKER autorizzato in modo da evitare eventuali pericoli.

Etichette sull'apparecchio

Sull'elettrotensile sono presenti i seguenti simboli, insieme al codice data:



Leggere il manuale prima dell'utilizzo.



Indossare occhiali di sicurezza quando si usa l'elettrotensile.



Indossare otoprotezioni idonee quando si usa l'elettrotensile.



Rimuovere sempre la batteria dall'apparecchio prima di effettuare qualsiasi operazione di pulizia o manutenzione.



Fare attenzione agli oggetti lanciati in aria. Tenere gli osservatori lontani dalla zona di taglio.



Non esporre l'elettrotensile alla pioggia o a un'umidità intensa.



Pressione sonora garantita in base alla direttiva 2000/14/CE.

Sicurezza elettrica



Il doppio isolamento di cui è provvisto il caricabatterie rende superfluo il cavo di messa a terra. Controllare sempre che la tensione di rete corrisponda a quella indicata sulla targhetta dei dati tecnici. Non tentare mai di sostituire il caricabatteria con una normale spina elettrica.

Caratteristiche

Questo apparecchio presenta alcune o tutte le seguenti caratteristiche.

1. Interruttore acceso/spento
2. Tubo
3. Pulsante Power command (solo GWC1820PC).

Assemblaggio del tubo

Nota: Assicurarsi che l'aspiratore sia spento e che la batteria sia rimossa prima di montare o rimuovere il tubo dell'aspiratore. Il tubo deve essere montato sull'alloggiamento prima dell'uso.

- ◆ Per montare il tubo all'aspiratore, allineare il tubo all'alloggiamento dell'aspiratore come mostrato in Figura A.

- ◆ Spingere il tubo nell'alloggiamento dell'aspiratore finché il pulsante di blocco (4) non si innesta nel foro di blocco (5) nel tubo.

Per installare il battery pack

- ◆ Inserire il battery pack saldamente nell'utensile fino a quando non si sente uno scatto come in Figura B. Assicurarsi che il battery pack sia completamente inserito e bloccato in posizione..

Per rimuovere il battery pack

- ◆ Premere il pulsante di rilascio della batteria (6) sul pacco batteria ed estrarre il pacco batteria dall'elettro utensile, come illustrato nella Figura C.

Funzionamento

Avvertenza! Indossare sempre occhiali di protezione. Indossare una maschera con filtro se l'operazione risulta polverosa. Si raccomanda l'utilizzo di guanti, pantaloni lunghi e calzature rigide. Tenere i capelli lunghi e gli abiti larghi lontano dalle aperture e dalle parti mobili. **QUESTO ASPIRATORE È STATO PROGETTATO SOLO PER USO DOMESTICO.**

- ◆ Tenere l'aspiratore con una mano come mostrato in Figura D e passare da un lato all'altro con l'ugello di diversi pollici sopra la terra. Far avanzare lentamente tenendo il mucchio di detriti davanti a sé.

Accensione e spegnimento

Avvertenza! Afferrare saldamente il prodotto con entrambe le mani quando lo si accende.

Avvertenza! Non puntare lo scarico dell'unità verso di sé o verso i passanti.

- ◆ Per accendere l'aspiratore, far scorrere l'interruttore di accensione/spegnimento come mostrato nella Figura E1 e E2.
- ◆ Per spegnere l'aspiratore, far scorrere l'interruttore di accensione/spegnimento come mostrato nella Figura F1 e F2.

Funzione POWERCOMMAND

La funzione POWERCOMMAND (3) è situata sull'impugnatura dell'utensile GWC1820PC come mostrato in Figura G. Consente di ottimizzare le prestazioni dell'utensile e aumentare la potenza secondo necessità.

- ◆ Accendere il soffiatore.
- ◆ Per attivare la modalità "Boost", premere e tenere premuto il pulsante POWERCOMMAND verso il basso.
- ◆ Per disattivare la modalità "Boost", rilasciare il pulsante POWERCOMMAND.
- ◆ Far funzionare nella modalità "Normale" per la maggior parte dei lavori di aspirazione. (In questo modo si avrà una maggior durata della batteria.)
- ◆ Attivare la modalità "Boost" secondo necessità per eliminare detriti pesanti o bagnati.

Ricerca guasti

Problema	Possibile causa	Eventuale soluzione
L'unità non parte.	Batteria non installata correttamente.	Controllare l'inserimento della batteria.
	Batteria scarica.	Controllare i requisiti di carica della batteria.
Il battery pack non si carica.	La batteria non è inserita nell'alimentatore.	Inserire la batteria nell'alimentatore finché non compare il LED verde.
	Alimentatore non collegato a una presa di corrente.	Collegare l'alimentatore a una presa di corrente che funzioni. Consultare "Note importanti sul caricamento" per ulteriori dettagli.
		Controllare la presenza di corrente nella presa collegandovi una lampada o apparecchio simile.
	Verificare se la presa è collegata ad un interruttore della luce che si spengono quando si spengono le luci.	
	Temperatura dell'aria circostante troppo calda o troppo fredda.	Spostare il caricabatteria e l'utensile ad una temperatura dell'aria circostante al di sopra di 4,5 °C o al di sotto di +40,5 °C.

Protezione dell'ambiente



Raccolta differenziata. I prodotti e le batterie contrassegnate con questo simbolo devono essere smaltiti con i rifiuti domestici normali.

I prodotti e le batterie contengono materiali che possono essere recuperati o riciclati riducendo la richiesta di materie prime. Riciclare i prodotti elettrici e le batterie secondo le disposizioni locali.

Batterie



Alla fine della loro vita utile, smaltire le batterie in conformità alle norme ambientali.

- ◆ Scaricare completamente la batteria e rimuoverla dall'elettro utensile.
- ◆ Le batterie NiCd, NiMH e agli ioni di litio sono riciclabili. Imballare la batteria o le batterie in modo idoneo per evitare che i terminali possano essere cortocircuitati. Portarle presso un tecnico autorizzato o presso il centro di riciclaggio di zona.

- ◆ Non cortocircuitare i terminali della batteria.
- ◆ Non smaltire le batterie bruciandole, perché ciò potrebbe causare lesioni personali o un'esplosione.

Dati tecnici

GWC1815		
Tensione in ingresso	V _{sc}	18
Velocità a vuoto	/min	12500
Peso	kg	1,7

Batteria BL1518		
Tensione	V _{sc}	18
Capacità	A/h	1,5
Tipo	Agli ioni di litio	
Caricabatteria	400mA	

GWC1820PC		
Tensione in ingresso	V _{sc}	18
Velocità a vuoto	/min	10.000 - 12.500
Peso	kg	1,7

Batteria BL2018		
Tensione	V _{sc}	18
Capacità	A/h	2
Tipo	Agli ioni di litio	
Caricabatteria	400mA	

Valore medio quadratico ponderato dell'accelerazione secondo la normativa EN 50636-2-91:

$$= < 2,5 \text{ m/s}^2, \text{ incertezza (K) = } 1,5 \text{ m/s}^2.$$

L_{pa} (pressione sonora) 72 dB(A)

incertezza (K) = 2,8 dB(A)

Dichiarazione di conformità CE

DIRETTIVA MACCHINE
DIRETTIVA SULLA RUMOROSITÀ ESTERNA



Soffiatore GWC1815/GWC1820PC

Black & Decker dichiara che i prodotti descritti al paragrafo "Dati tecnici" sono conformi a:
2006/42/EC, EN 60335-1:2012 + A11:2014
EN 50636-2-91:2014

2000/14/CE, Decespugliatore tagliabordi, L ≤ 50 cm, Allegato VIII
DEKRA Certification B.V., Utrechtseweg 310,
6802 ED Arnhem, Paesi Bassi
ID ente notificato n.: 0344

Livello di potenza acustica in base a 2000/14/CE (Articolo 12, Allegato III, L ≤ 50 cm):
L_{wa} (pressione sonora misurata) 86 dB(A)
incertezza (K) = 2,8 dB(A)
L_{pa} (pressione sonora misurata) 89 dB(A)

Questi prodotti sono conformi alle Direttive 2014/30/EU,
2011/65/EU

Per ulteriori informazioni contattare
Black & Decker al seguente indirizzo oppure consultare
l'ultima di copertina del manuale.
Il sottoscritto è responsabile della redazione di questo documento tecnico e rilascia questa dichiarazione per conto di
Black & Decker.

R. Laverick
Direttore tecnico
Black & Decker Europe, 210 Bath Road, Slough,
Berkshire, SL1 3YD
Regno Unito
10/11/2015

Garanzia

Black & Decker è sicura della qualità dei propri prodotti e offre ai consumatori una garanzia di 24 mesi dalla data di acquisto. Il presente certificato di garanzia è complementare ai diritti legali e non li pregiudica in alcun modo. La garanzia è valida sui territori degli stati membri dell'Unione Europea o dell'EFTA (Associazione europea di libero scambio).

Per attivare la garanzia, il reclamo deve essere effettuato in accordo con i Termini e Condizioni Black & Decker e sarà necessario presentare la prova di acquisto al venditore o all'agente di riparazione autorizzato. I Termini e condizioni della garanzia Black & Decker di 2 anni e la sede dell'agente di riparazione autorizzato più vicino sono consultabili su Internet all'indirizzo www.2helpU.com, o contattando l'ufficio Black & Decker di zona all'indirizzo indicato in questo manuale.

Visitare il nostro sito www.blackanddecker.co.uk per registrare il nuovo prodotto Black & Decker e ricevere gli aggiornamenti sui nuovi prodotti e le offerte speciali.

Bedoeld gebruik

Bedoeld gebruik

De BLACK+DECKER bladblazers van het type GWC1815 en GWC1820PC zijn ontworpen voor het opruimen van gevallen bladeren. Deze apparaten zijn uitsluitend bedoeld voor consumptiegebruik.

Instructies voor de veiligheid

Waarschuwing! Bij apparaten voor gebruik op de netspanning/snoerloze apparaten moeten bepaalde elementaire voorzorgsmaatregelen, waaronder de navolgende, in acht worden genomen, zodat het gevaar van brand, elektrische schokken, persoonlijk letsel en materiële schade tot een minimum worden beperkt.

- ◆ Lees deze handleiding zorgvuldig door voordat u het apparaat in gebruik neemt.
- ◆ In deze handleiding wordt het bedoeld gebruik beschreven. Het gebruik van accessoires of hulpstukken of de uitvoering van andere handelingen dan in deze gebruikershandleiding worden aanbevolen, kan een risico van persoonlijk letsel geven.
- ◆ Bewaar deze handleiding zodat u deze nog eens kunt raadplegen.

Het apparaat gebruiken

Ga bij gebruik van het apparaat altijd voorzichtig te werk.

- ◆ Gebruik altijd een veiligheidsbril of oogbescherming.
- ◆ Laat nooit kinderen, personen met verminderde fysieke, zintuiglijke of mentale vermogens of een gebrek aan ervaring en kennis of mensen die deze instructies niet kennen dit apparaat gebruiken, plaatselijke voorschriften kunnen eisen aan de leeftijd van de gebruiker stellen.
- ◆ Werk nooit met deze apparaten Terwijl mensen, vooral kinderen, of huisdieren bij u in de buurt zijn.

- ◆ Laat het apparaat nooit gebruiken door kinderen of door personen die onbekend zijn met de instructies voor het apparaat.
- ◆ Laat kinderen of dieren niet in de buurt van de werkomgeving komen, en evenmin het apparaat of netsnoer aanraken.
- ◆ Let extra goed op wanneer u het apparaat in de buurt van kinderen gebruikt.
- ◆ Dit apparaat mag niet zonder supervisie door jonge of lichamelijk zwakke mensen worden gebruikt.
- ◆ Dit apparaat mag niet als speelgoed worden gebruikt.
- ◆ Gebruik het apparaat alleen bij daglicht of goed kunstlicht.
- ◆ Gebruik de machine alleen op een droge locatie. De machine mag niet nat worden.
- ◆ Gebruik het apparaat niet onder slechte weersomstandigheden, vooral niet wanneer er een risico van bliksem is.
- ◆ Dompel het apparaat niet onder in water.
- ◆ Open de behuizing niet. Het apparaat bevat geen onderdelen die door de gebruiker kunnen worden gerepareerd.
- ◆ Gebruik het apparaat niet in een omgeving met explosiegevaar, zoals in de nabijheid van brandbare vloeistoffen, gassen of stof.
- ◆ Het apparaat mag alleen worden gebruikt met de bij het apparaat geleverde voedingseenheid.

Overige risico's.

Er kunnen zich nog meer risico's voordoen bij het gebruik van deze machine, die mogelijk niet in de bijgesloten veiligheidswaarschuwingen worden beschreven.

Deze risico's kunnen zich voordoen door onoordeelkundig gebruik, langdurig gebruik, enz.

Zelfs wanneer de veiligheidsvoorschriften in acht worden genomen en de veiligheidshulpmiddelen worden gebruikt, kunnen bepaalde risico's niet worden uitgesloten. Dit zijn onder meer:

- ◆ Verwondingen die worden veroorzaakt door het aanraken van draaiende/bewegende onderdelen.
- ◆ Verwondingen die worden veroorzaakt bij het vervangen van onderdelen, zaagbladen of accessoires.
- ◆ Verwondingen die worden veroorzaakt door langdurig gebruik van gereedschap. Wanneer u langere periodes met het gereedschap werkt, kunt u het beste regelmatig een pauze nemen.
- ◆ Gehoorbeschadiging.
- ◆ Gezondheidsrisico's door het inademen van stof dat vrijkomt bij gebruik van uw gereedschap (bijv.: het werken met hout, vooral eiken, beuken en MDF.)

Na gebruik

- ◆ Bewaar het apparaat na gebruik op een droge, goed geventileerde plaats, buiten het bereik van kinderen.
- ◆ Houd de machine buiten het bereik van kinderen, ook wanneer deze is opgeborgen.
- ◆ Wanneer het apparaat in de auto ligt, moet u het apparaat in de kofferruimte plaatsen of goed vastzetten, zodat het apparaat niet kan wegschieten bij plotselinge veranderingen in snelheid of richting.

Inspectie en reparaties

- ◆ Controleer de machine vóór gebruik op beschadiging en defecten.

Controleer het vooral op gebroken onderdelen en andere omstandigheden die de werking ervan kunnen beïnvloeden.

- ◆ Gebruik het apparaat niet als één of meer onderdelen beschadigd is of defect.
- ◆ Laat beschadigde of defecte onderdelen door een geautoriseerd servicecentrum repareren of vervangen.
- ◆ Probeer nooit andere onderdelen te verwijderen of vervangen dan in deze handleiding zijn vermeld.

Trillingen

De verklaarde trillingsemisiewaarden die worden vermeld in de technische gegevens en de verklaring van conformiteit, zijn gemeten volgens een standaard testmethode die wordt verstrekt door EN 50636 en kan worden gebruikt voor het vergelijken van het ene apparaat met het andere. De verklaarde trillingsemisiewaarde kan ook worden gebruikt in een voorlopige beoordeling van blootstelling.

Waarschuwing! De trillingsemisiewaarde kan tijdens feitelijk gebruik van het elektrisch gereedschap verschillen van de verklaarde waarde, afhankelijk van de wijze waarop het gereedschap wordt gebruikt.

Het trillingsniveau kan hoger worden dan het aangegeven niveau.

Bij het beoordelen van de blootstelling aan trillingen voor het vaststellen van veiligheidsmaatregelen die vereist worden door 2002/44/EG voor bescherming van personen die regelmatig beroepshalve met elektrisch gereedschap werken, moet met een schatting van de blootstelling aan trilling rekening worden gehouden met de feitelijke gebruiksomstandigheden en

de manier waarop het gereedschap wordt gebruikt, inclusief alle onderdelen van de bedieningscyclus, zoals wanneer het gereedschap is uitgeschakeld en wanneer het stationair draait, in aanvulling op de tijd dat het apparaat is ingeschakeld.

Aanvullende veiligheidsinstructies voor bladblazers

In deze handleiding wordt het beoogde gebruik beschreven. Het gebruik van andere accessoires of hulpstukken dan wel de uitvoering van andere handelingen met dit apparaat dan in deze gebruikershandleiding worden aanbevolen, kan tot persoonlijk letsel en/of materiële schade leiden.

- ◆ Bescherm uw voeten en benen tijdens het werken met het apparaat door stevige schoenen en een lange broek te dragen.
- ◆ Schakel het apparaat altijd uit, laat de ventilator tot stilstand komen en neem de accu uit wanneer:
 - ◆ U het apparaat onbeheerd achterlaat
 - ◆ U een verstopping verhelpt.
 - ◆ U het apparaat afstelt, reinigt of er onderhoud aan uitvoert.
 - ◆ Als het apparaat meer begint te trillen dan normaal is.
- ◆ Houd inlaat of uitlaat van de bladblazer weg bij ogen en oren, wanneer u met het apparaat aan het werk bent. Afval mag nooit in de richting van omstanders worden geblazen.
- ◆ Werk niet met het apparaat in de regen en laat het apparaat niet buiten liggen wanneer het regent.
- ◆ Betreed geen grindpaden of -wegen wanneer het apparaat is ingeschakeld. Loop rustig, ren nooit.
- ◆ Leg het apparaat niet op grind neer terwijl het is ingeschakeld.

- ◆ Zorg er altijd voor dat u stevig staat, vooral op hellingen. Reik niet buiten uw macht en blijf te allen tijden in evenwicht staan.
- ◆ Plaats geen voorwerpen in de openingen. Gebruik het apparaat nooit wanneer de openingen verstopt zijn – zorg dat er geen haren, stof en andere zaken in terecht komen die de luchtstroom kunnen belemmeren.

Waarschuwing! Gebruik dit apparaat altijd volgens de aanwijzingen in deze handleiding. Het apparaat is ontworpen voor rechtstandig gebruik, en als het op andere wijze wordt gebruikt, kan dat leiden tot letsel. Laat het apparaat nooit draaien wanneer het op de zijkant ligt of ondersteboven.

- ◆ De gebruiker van het apparaat is verantwoordelijk voor ongelukken die gebeuren of voor gevaren waaraan andere mensen of hun eigendommen worden blootgesteld.
- ◆ Maak het apparaat niet schoon met oplos- of reinigingsmiddelen. Schrap met een botte krabber gras en vuil van het apparaat.
- ◆ Controleer de opvangzak regelmatig op slijtage of beschadiging.
- ◆ Vervangende ventilatoren zijn verkrijgbaar bij een Black & Decker-servicecentrum. Gebruik uitsluitend door Black & Decker aanbevolen reserveonderdelen en accessoires.
- ◆ Controleer regelmatig dat alle bouten en moeren stevig zijn aangedraaid, zodat u veilig met het apparaat kunt werken.

Accu's

- ◆ Probeer nooit om welke reden dan ook de accu open te maken.
- ◆ Stel de accu niet bloot aan water.
- ◆ Bewaar de accu niet op locaties waar de temperatuur kan stijgen tot boven 40 °C.
- ◆ Laad de accu's alleen op bij een omgevingstemperatuur van 10 °C en 40 °C.
- ◆ Laad de accu alleen op in de lader die bij het gereedschap wordt geleverd.
- ◆ Gooi lege accu's weg volgens de instructies in het gedeelte "Het milieu beschermen".

Laders

- ◆ Gebruik de lader van BLACK+DECKER alleen voor de accu's in het apparaat waarbij de lader is geleverd. Andere accu's kunnen barsten, met letsel en materiële schade tot gevolg.
- ◆ Niet-oplaadbare accu's mogen nooit worden opgeladen.
- ◆ Laat defecte snoeren direct vervangen.
- ◆ Stel de lader niet bloot aan water.
- ◆ Maak de lader niet open.
- ◆ Steek niet met een scherp voorwerp in de lader.



De lader is uitsluitend bestemd voor gebruik binnenshuis.



Lees de instructiehandleiding voordat u de lader in gebruik neemt.

Aanvullende veiligheidsinstructies voor accu's en laders

Elektrische veiligheid



De lader is dubbel geïsoleerd, en daarom is een aarddraad niet nodig. Controleer altijd dat de netspanning overeenkomt met de waarde op het typeplaatje. Probeer nooit de lader te voorzien van een normale netstekker.

- ♦ het netsnoer is beschadigd, moet het door de fabrikant of door een geautoriseerd BLACK+DECKER-servicecentrum worden vervangen, zodat gevaarlijke situaties worden voorkomen.

Labels op het apparaat

Behalve de datumcode vindt u op de machine de volgende symbolen:



Lees de handleiding voordat u met het apparaat gaat werken.



Draag een veiligheidsbril of een stofbril als u dit apparaat gebruikt.



Maak gebruik van goede gehoorbescherming wanneer u dit apparaat gebruikt.



Haal de accu altijd uit het apparaat voordat u reinigings- of onderhoudswerkzaamheden gaat uitvoeren.



Wees bedacht op rondvliegende voorwerpen. Houd omstanders uit de buurt van uw werkgebied.



Stel de machine niet bloot aan regen of een hoge luchtvochtigheid.



Richtlijn 2000/14/EG gegarandeerd geluidsvermogen.

Onderdelen

Deze machine heeft enkele van de volgende functies of allemaal.

1. Aan/Uit-schakelaar
2. Buis
3. Vermogensregelknop (alleen GWC1820PC).

Montage van de buis

Opmerking: Controleer dat de bladblazer is uitgeschakeld en de accu is uitgenomen en bevestig of verwijder daarna pas de buis van de bladblazer. U mag de bladblazer pas gaan gebruiken wanneer de buis op de behuizing is gemonteerd.

- ♦ Bevestig de buis op de bladblazer door de buis tegenover de behuizing te houden, zoals wordt getoond in Afbeelding A.
- ♦ Duw de buis in de behuizing van de bladblazer tot de vergrendelingsknop (4) vastklikt in het vergrendelingsgat (5) in de buis.

De accu plaatsen

- ♦ Plaats de accu in het gereedschap tot u een klik hoort, zoals wordt getoond in Afbeelding B. Controleer dat de accu goed op zijn plaats zit en volledig is vergrendeld.

De accu uitnemen

- ♦ Druk de vrijgaveknop (6) aan de achterzijde van de accu in en trek de accu uit de het gereedschap, zoals wordt getoond in afbeelding C.

Bediening

Waarschuwing! Draag altijd een veiligheidsbril. Draag een mondkap met een filter als er bij het werken veel stof vrijkomt. Het dragen van handschoenen, een lange broek en stevig schoeisel wordt aanbevolen. Houd lang haar en losse kledingstukken weg bij openingen en bewegende delen. **DE BLADBLAZER IS UITSLUITEND BEDOELD VOOR HUIS- HOUDELIJK GEBRUIK.**

- ♦ Houd de bladblazer vast met één hand, zoals wordt getoond in afbeelding D en zwaai met het mondstuk heen en weer op ongeveer 10 cm boven de grond. Loop langzaam vooruit en houd verzameld blad en afval voor u.

In- en uitschakelen

Waarschuwing! Gebruik beide handen zodat het product stevig wordt vastgehouden wanneer het wordt ingeschakeld.

Waarschuwing! Richt niet met het mondstuk op uzelf of op omstanders.

- ♦ Schakel de bladblazer in door de aan/uit-schakelaar naar voren te schuiven, zoals wordt getoond in Afbeelding E1 en E2.
- ♦ Schakel de bladblazer uit door de aan/uit-schakelaar naar achteren te schuiven, zoals wordt getoond in afbeelding F1 en F2.

Functie POWERCOMMAND

De functie POWERCOMMAND (3) bevindt zich op de Handgreep van de GWC1820PC, zoals wordt getoond in Afbeelding G. U kunt hiermee het gereedschap beter laten presteren en zo nodig meer vermogen laten leveren.

- ◆ Schakel de bladblazer in.
- ◆ U schakelt over op de stand "Boost" door de knop POWERCOMMAND in te drukken en ingedrukt te houden.
- ◆ U schakelt de stand "Boost" uit door de knop POWERCOMMAND los te laten.
- ◆ Meestal kunt u bij het opruimen van bladeren de stand "Normal" gebruiken. (De accu is dan minder snel leeg.)
- ◆ Schakel de stand "Boost" zo nodig in voor het opruimen van zwaar of nat afval.

Accu's



Gooi afgedankte accu's op verantwoorde wijze weg:

- ◆ Ontlaad de batterij volledig en verwijder deze vervolgens uit het gereedschap.
- ◆ NiCd-, NiMH- en Lithium-ion-accu's kunnen worden gerecycled. Plaats de accu('s) in een geschikte verpakking, zodat kortsluiting van de polen niet mogelijk is. Breng accu's naar een servicecentrum of een verzamelpunt bij u in de buurt.
- ◆ Voorkom dat de polen van de batterij worden kortgesloten.
- ◆ Werp accu('s) niet in het vuur. Dit kan letsel of een explosie tot gevolg hebben.

Problemen oplossen

Probleem	Mogelijke oorzaak	Mogelijke oplossing
Toestel start niet	De accu is niet goed geplaatst.	Controleer dat de accu goed is geplaatst.
	Accu is niet opgeladen.	Controleer of de accu moet worden geladen.
De accu laadt niet op.	De accu is niet in de lader geplaatst.	Plaats de accu in de lader en wacht tot het groene lampje gaat branden.
	De stekker van de lader zit niet in het stopcontact.	Steek de stekker van de lader in een stopcontact waar stroom op staat. Raadpleeg "Belangrijke opmerkingen over laden" voor meer informatie.
		Controleer de spanning door een lamp of ander apparaat op het stopcontact aan te sluiten.
		Controleer of het stopcontact wordt onderbroken door een schakelaar, die het licht uitschakelt en het stopcontact stroomloos maakt.
	De omgevingstemperatuur is te hoog of te laag.	Verplaats de lader en het gereedschap naar een locatie waar de luchttemperatuur hoger is dan 4,5 °C en lager is dan +40,5 °C.

Technische gegevens

GWC1815		
Ingangsspanning	V_{ac}	18
Onbelaste snelheid	/min	12500
Gewicht	kg	1,7

BL1518		
Accu		
Spanning	V_{ac}	18
Capaciteit	Ah	1,5
Type	Li-Ion	
Lader	400mA.	

GWC1820PC		
Ingangsspanning	V_{ac}	18
Onbelaste snelheid	/min	10.000 - 12.500
Gewicht	kg	1,7

BL2018		
Accu		
Spanning	V_{ac}	18
Capaciteit	Ah	2
Type	Li-Ion	
Lader	400mA.	

Het milieu beschermen



Gescheiden afvalinzameling. Producten en accu's die zijn voorzien van dit symbool mogen niet bij het normale huishoudafval worden weggegooid.

Producten en accu's bevatten materialen die kunnen worden teruggewonnen of gerecycled, wat de vraag naar grondstoffen doet afnemen. Recycle elektrische producten en accu's volgens de ter plaatse geldende bepalingen.

Gewogen waarde van hand-arm-trilling volgens EN 50636-2-91:

$$= < 2,5 \text{ m/s}^2, \text{ onzekerheid (K) } = 1,5 \text{ m/s}^2$$

L_{wa} (geluidsdruk) 72 dB(A)

onzekerheid (K) = 2,8 dB(A)

EG conformiteitsverklaring

**RICHTLIJN VOOR MACHINES
RICHTLIJN VOOR GELUID BUITENSHUIS**



Bladblazer GWC1815/GWC1820PC

Black & Decker verklaart dat deze producten, beschreven bij 'Technische gegevens', voldoen aan:
2006/42/EG, EN 60335-1:2012 + A11:2014
EN 50636-2-91:2014

2000/14/EG, Gazontrimmer, L ≤ 50 cm, bijlage VIII
DEKRA Certification B.V., Utrechtseweg 310,
6802 ED Arnhem, Nederland
Aangemelde instantie ID Nr.: 0344

Niveau van akoestisch vermogen volgens 2000/14/EC
(Artikel 12, Bijlage III, L ≤ 50 cm):
L_m (gemeten geluidsvermogen) 86 dB(A) dB(A)
onzekerheid (K) = 2,8 dB(A) dB(A)
L_m (gegarandeerd geluidsvermogen) 89 dB(A)

Deze producten voldoen tevens aan richtlijn 2014/30/EU,
2011/65/EU

Neem voor meer informatie contact op met Black & Decker op het volgende adres of raadpleeg de achterzijde van de handleiding.

Ondergetekende is verantwoordelijk voor de samenstelling van het technische bestand en legt deze verklaring af namens Black & Decker.

R. Laverick
Director of Engineering
Black & Decker Europe, 210 Bath Road, Slough,
Berkshire, SL1 3YD
Verenigd Koninkrijk
10-11-2015

Garantie

Black & Decker heeft vertrouwen in zijn producten en biedt consumenten een garantie van 24 maanden vanaf de aankoopdatum. Deze garantie vormt een aanvulling op uw wettelijke rechten en beperken deze niet. De garantie is geldig op het grondgebied van de Lidstaten van de Europese Unie en de Europese Vrijhandelszone.

Voor een garantie-aanspraak moet uw aanspraak in overeenstemming zijn met de Voorwaarden en Condities van Black&Decker en moet u een bewijs van aankoop overleggen aan de verkoper of aan een geautoriseerde reparatiemoniteur. Voorwaarden en condities van de 2-jarige garantie van Black&Decker en het adres van de vestiging van het geautoriseerde reparatiecentrum bij u in de buurt, kunt u vinden op internet op www.2helpU.com, of door contact op te nemen met het Black & Decker-kantoor ter plaatse, op het adres dat in deze handleiding wordt vermeld.

Bezoek onze website www.blackanddecker.nl, waar u uw nieuwe Black & Decker-product kunt registreren en informatie kunt verkrijgen over nieuwe producten en speciale aanbiedingen.

Uso previsto

Los sopladores BLACK+DECKER GWC1815 y GWC1820PC han sido diseñados para soplar hojas. Este aparato ha sido diseñado únicamente para uso doméstico.

Instrucciones de seguridad

Advertencia. Si utiliza aparatos eléctricos/sin cable, es necesario seguir las precauciones de seguridad básicas, incluidas las que se indican a continuación, para reducir el riesgo de incendios, descargas eléctricas, lesiones personales y daños materiales.

- ◆ Lea todo el manual detenidamente antes de utilizar el aparato.
- ◆ En este manual se describe el uso previsto del aparato. La utilización de accesorios o la realización de operaciones distintas de las recomendadas en este manual de instrucciones puede presentar un riesgo de lesiones.
- ◆ Conserve este manual para futuras consultas.

Utilización del aparato

Tenga siempre cuidado al utilizar el aparato.

- ◆ Utilice siempre gafas protectoras.
- ◆ Nunca permita que niños, personas con capacidades físicas, sensoriales o mentales reducidas, que carezcan de experiencia y conocimientos o que no tengan familiaridad con estas instrucciones usen la máquina. Las normas locales pueden restringir la edad del operador.
- ◆ Nunca utilice la máquina si hay gente, especialmente niños, o mascotas cerca.
- ◆ Nunca permita que los niños ni las personas no familiarizadas con estas instrucciones utilicen el aparato.

- ◆ Evite que los niños y animales se acerquen a la zona de trabajo y toquen el aparato o el cable de alimentación.
- ◆ Procure tener cuidado si utiliza el aparato cerca de niños.
- ◆ Este aparato está pensado para utilizarse con la supervisión correspondiente en el caso de menores o personas que no cuentan con la fuerza necesaria.
- ◆ Este aparato no es un juguete.
- ◆ Utilice el aparato únicamente a la luz del día o con iluminación artificial adecuada.
- ◆ Utilícelo únicamente en lugares secos. Tenga cuidado de no mojar el aparato.
- ◆ Evite usar el aparato cuando hace mal tiempo, sobre todo si hay riesgo de rayos.
- ◆ No sumerja el aparato en agua.
- ◆ No abra la carcasa. Las piezas del interior del aparato no pueden ser reparadas por el usuario.
- ◆ No utilice el aparato en un entorno con peligro de explosión, en el que se encuentren líquidos, gases o materiales en polvo inflamables.
- ◆ El aparato debe utilizarse solo con la unidad de alimentación suministrada con el aparato.

Riesgos residuales.

El uso de esta herramienta puede producir riesgos residuales adicionales no incluidos en las advertencias de seguridad adjuntas.

Estos riesgos se pueden generar por un uso incorrecto, demasiado prolongado, etc.

El cumplimiento de las normas de seguridad correspondientes y el uso de dispositivos de seguridad no evitan ciertos riesgos residuales. Esto incluye:

- ◆ Lesiones producidas por el contacto con piezas móviles o giratorias.
- ◆ Lesiones producidas al cambiar cualquier pieza, cuchilla o accesorio.
- ◆ Lesiones producidas al usar una herramienta por un tiempo demasiado prolongado. Si utiliza una herramienta durante períodos de tiempo demasiado prolongados, asegúrese de realizar pausas con frecuencia.
- ◆ Deterioro auditivo.
- ◆ Riesgos para la salud producidos al respirar el polvo que se genera cuando se utiliza la herramienta (ejemplo: en los trabajos con madera, especialmente si son de roble, haya y tableros de densidad mediana).

- ◆ Solicite a un agente de servicio técnico autorizado la reparación o sustitución de las piezas dañadas o defectuosas.
- ◆ Nunca intente extraer ni sustituir ninguna pieza que no esté especificada en este manual.

Vibración

Los valores declarados de emisión de vibraciones en los datos técnicos y la declaración de conformidad han sido medidos de acuerdo con un método de prueba estándar establecido en norma EN 50636 y puede usarse para comparar una herramienta con otra. El valor declarado de emisión de vibraciones también puede usarse en una evaluación preliminar a la exposición.

Advertencia. El valor declarado de emisión de vibraciones durante el uso real de la herramienta eléctrica puede ser diferente al valor declarado dependiendo del modo en que se usa la herramienta.

El nivel de las vibraciones puede aumentar por encima del nivel declarado. Cuando evalúe la exposición a las vibraciones para determinar las medidas de seguridad requeridas en la directiva 2002/44/CE para proteger a las personas que usan regularmente herramientas eléctricas en su trabajo, deberá realizar una estimación de la exposición a las vibraciones, las condiciones reales de uso y el modo con que se usa la herramienta, tomando también en cuenta todas las partes del ciclo de funcionamiento tales como los tiempos en que la herramienta está apagada y marcha en vacío, y el tiempo de activación.

Después de la utilización

- ◆ Cuando el aparato no esté en uso, deberá guardarse en un lugar seco, bien ventilado y lejos del alcance de los niños.
- ◆ Los niños no deben tener acceso a los aparatos guardados.
- ◆ Cuando se guarde o transporte el aparato en un vehículo, deberá colocarse en el maletero o asegurarse para evitar movimientos producidos por cambios repentinos en la velocidad o la dirección.

Inspecciones y reparaciones

- ◆ Antes de utilizarlo, compruebe que el aparato no contenga piezas dañadas ni defectuosas. Compruebe que no hay piezas rotas u otros defectos que puedan afectar al funcionamiento del aparato.
- ◆ No utilice el aparato si presenta alguna pieza dañada o defectuosa.

Instrucciones de seguridad adicionales para sopladores

En este manual se describe el uso para el que se ha diseñado el aparato. La utilización de accesorios o la realización de operaciones con este aparato distintas de las recomendadas en este manual de instrucciones puede presentar un riesgo de lesiones y/o daños materiales.

- ◆ Para protegerse las pies y las piernas cuando utilice el aparato, lleve siempre calzado resistente y pantalones largos.
- ◆ Apague siempre el producto, deje que el ventilador se detenga y desconecte el enchufe de la toma cuando:
 - ◆ Deje el producto sin vigilancia.
 - ◆ Elimine una obstrucción.
 - ◆ Compruebe, ajuste, limpie o realice cualquier operación en el producto.
 - ◆ El aparato comience a vibrar de manera anormal.
- ◆ Evite acercarse a la entrada o la salida de la aspiradora a los ojos o a los oídos cuando utilice el producto. Nunca sople restos en la dirección de otras personas.
- ◆ No utilice el producto bajo la lluvia ni lo deje en el exterior mientras esté lloviendo.
- ◆ No cruce caminos de grava ni carreteras con el producto encendido. Camine; nunca corra.
- ◆ No deje la unidad sobre la grava mientras se encuentra encendida.
- ◆ Manténgase en todo momento firmemente apoyado en el suelo, especialmente cuando esté en pendiente. Sea precavido y mantenga el equilibrio en todo momento.
- ◆ No coloque ningún objeto en las aberturas.

Nunca utilice el producto si las aberturas están bloqueadas (evite que se introduzcan pelos, pelusas, partículas de polvo u otras sustancias que puedan reducir el flujo de aire).

Advertencia. Utilice siempre el producto según las instrucciones que se describen en este manual. El producto está diseñado para utilizarse en posición vertical, y su utilización en cualquier otro modo puede causar lesiones. Nunca ponga en marcha el producto mientras este se encuentre recostado o boca abajo.

- ◆ El usuario será responsable de los accidentes y las situaciones peligrosas que puedan sufrir las personas de su alrededor o sus propiedades.
- ◆ No utilice disolventes ni fluidos de limpieza para limpiar el producto. Utilice un raspador sin filo para eliminar los restos de hierba y la suciedad.
- ◆ Compruebe frecuentemente que la bolsa colectora no esté gastada o rota.
- ◆ El agente autorizado de Black & Decker le proporcionará ventiladores de recambio. Utilice únicamente piezas de repuesto y accesorios recomendados por Black & Decker.
- ◆ Mantenga todas las tuercas, pernos y tornillos del aparato apretados para asegurar unas condiciones de trabajo seguras.

Instrucciones de seguridad adicionales para baterías y cargadores

Baterías

- ◆ Jamás trate de abrir las baterías por ningún motivo.
- ◆ No exponga la batería al agua.

- ◆ No guarde la batería en lugares en los que la temperatura pueda superar los 40 °C.
- ◆ Realice la carga únicamente a una temperatura ambiente de entre 10 °C y 40 °C.
- ◆ Utilice únicamente el cargador suministrado con la herramienta para realizar la carga.
- ◆ Para desechar las pilas o las baterías, siga las instrucciones facilitadas en la sección "Protección del medio ambiente".

Seguridad eléctrica



El cargador presenta un aislamiento doble; por lo tanto, no se requiere conexión a tierra. Cada vez que utilice el aparato, debe comprobar que el voltaje de la red eléctrica corresponda al valor indicado en la placa de características. No intente sustituir el cargador por un enchufe convencional para la red eléctrica.

- ◆ Si se daña el cable de alimentación, el fabricante o un centro de servicio técnico autorizado de BLACK+DECKER deberán sustituirlo para evitar riesgos.

Etiquetas del aparato

Junto con el código de la fecha, en la herramienta aparecen los siguientes símbolos:



Lea el manual antes de utilizar el aparato.



Cuando utilice el aparato, lleve siempre gafas protectoras.



Cuando maneje el aparato, utilice protectores para los oídos adecuados.



Siempre debe extraer la batería del aparato antes de limpiar y realizar su mantenimiento.



Tenga cuidado con los objetos que salen volando. Mantenga a otras personas alejadas de la zona de corte.



No exponga el aparato a la lluvia ni a una humedad elevada.



Directiva 2000/14/CE sobre la potencia acústica garantizada.

Cargadores

- ◆ Solo debe utilizar el cargador BLACK+DECKER para cargar la batería en la herramienta con la que se suministró. Otras baterías pueden explotar y provocar lesiones y daños materiales.
- ◆ Nunca intente cargar baterías no recargables.
- ◆ Sustituya los cables defectuosos inmediatamente.
- ◆ No exponga el cargador al agua.
- ◆ No abra el cargador.
- ◆ No aplique ningún dispositivo para medir la resistencia del cargador.



Este adaptador está pensado únicamente para utilizarse en un lugar interior.



Lea el manual de instrucciones antes de usar el producto.

Características

Este aparato incluye una o más de las siguientes características.

1. Interruptor de encendido/apagado
2. Tubo
3. Botón de mando de alimentación (solo GWC1820PC).

Montaje del tubo

Nota: Compruebe que la barredora esté apagada y haber sacado antes la batería de montar o desmontar el tubo de la barredora. El tubo debe montarse en la carcasa antes de utilizar el aparato.

- ◆ Para conectar el tubo a la barredora, alinee el tubo con la carcasa de la barredora como se muestra en la Figura A.
- ◆ Empuje el tubo en la carcasa de la barredora hasta que el botón de bloqueo (4) encaje en el orificio de bloqueo (5) del tubo.

Colocación del paquete de baterías

- ◆ Inserte el paquete de baterías en la herramienta hasta que se oiga un clic, como se muestra en la figura B. Compruebe que el paquete de baterías esté correctamente colocado y bloqueado en su posición.

Extracción del paquete de baterías

- ◆ Presione el botón de liberación de la batería (6) del paquete de baterías y sáquelo de la herramienta como se muestra en la figura C.

Funcionamiento

Advertencia. Utilice siempre gafas de seguridad. Utilice una mascarilla de filtro si se genera polvo con la operación. Se recomienda usar guantes, pantalones largos y calzado de seguridad. Mantenga el pelo largo y la vestimenta suelta fuera del alcance de las aberturas y piezas móviles, ESTE SOPLADOR ES ÚNICAMENTE PARA USO DOMÉSTICO.

- ◆ Sostenga el soplador con una mano como se muestra en la Figura D y barra de lado a lado con la boquilla a varios centímetros por encima del suelo. Avance lentamente manteniendo la pila de residuos acumulados frente a usted.

Encendido y apagado

Advertencia. Sujete el producto firmemente con ambas manos cuando lo encienda.

Advertencia. No dirija la descarga de la unidad hacia usted mismo o hacia otras personas.

- ◆ Para encender la barredora, deslice el botón de encendido/apagado como se muestra en las Figuras E1 y E2.
- ◆ Para apagar la barredora, deslice el botón de encendido/apagado hacia atrás como se muestra en las Figuras F1 y F2.

Función POWERCOMMAND

La función POWERCOMMAND (3) está situada en la empuñadura de la herramienta GWC1820PC como se muestra en la figura G. Le permite optimizar el rendimiento de la herramienta y amplificar la potencia según lo necesite.

- ◆ Encienda la sopladora.

- ◆ Para activar el modo "Boost (Potenciado)", apriete y mantenga apretado el botón POWERCOMMAND.
- ◆ Para desactivar el modo "Boost", suelte el botón POWERCOMMAND.
- ◆ Utilícela en el modo "Normal" para la mayoría de trabajos de barrido. (Se conseguirá un tiempo de funcionamiento mayor).
- ◆ Active el modo "Boost" cuando necesite limpiar restos pesados o húmedos.

Resolución de problemas

Problema	Causa posible	Posible solución
La unidad no arranca.	La batería no se ha instalado correctamente.	Compruebe la instalación de la batería.
	La batería no está cargada.	Compruebe los requisitos de carga de la batería.
La batería no se carga.	No se ha insertado la batería en el cargador.	Inserte la batería en el cargador hasta que se encienda el indicador LED verde.
	El cargador no está enchufado.	Enchufe el cargador en una toma de corriente que funcione. Para más información, consulte "Notas importantes para la carga".
		Encienda una lámpara u otro aparato para comprobar la corriente de la toma.
		Compruebe si la toma está conectada a un interruptor de luz que corta la energía al apagar las luces.
	La temperatura del aire circundante es demasiado caliente o demasiado fría.	Desplace el cargador y la herramienta a un lugar con temperatura ambiente superior a 40 °F (4.5 °C) o inferior a 105 °F (+40.5 °C)

Protección del medio ambiente



Recogida selectiva. Los productos y las baterías marcadas con este símbolo no se deben eliminar con la basura doméstica normal.

Los productos y las baterías que contienen materiales que se puedan recuperar o reciclar reducen la demanda de materias primas. Recicle los productos eléctricos y las baterías de conformidad con la normativa local.

Baterías



Quando las baterías lleguen al final de su vida útil, deséchelas respetando el medio ambiente:

- ◆ Deje que la batería se agote por completo y, a continuación, extráigala de la herramienta.
- ◆ Las baterías de níquel cadmio (NiCd), de hidruro de níquel-metal (NiMH) y de iones de litio son reciclables. Coloque las baterías en un embalaje adecuado de modo que los terminales no entren en contacto y provoquen un cortocircuito. Llévelas a cualquier centro de servicio técnico autorizado o a un punto de reciclaje local.
- ◆ Procure no provocar un cortocircuito entre los terminales de la batería.
- ◆ No arroje las baterías al fuego, ya que podría provocar daños personales o una explosión.

Datos técnicos

GWC1815		
Voltaje de entrada	V _{ca}	18
Velocidad sin carga	/min	12500
Peso	kg	1.7

Batería BL1518		
Tensión	V _{cc}	18
Capacidad	Ah	1.5
Tipo	Litio-ión	
Cargador	400mA	

GWC1820PC		
Voltaje de entrada	V _{ca}	18
Velocidad sin carga	/min	10.000 - 12.500
Peso	kg	1.7

Batería BL2018		
Tensión	V _{cc}	18
Capacidad	Ah	2
Tipo	Litio-ión	
Cargador	400mA	

Valor cuadrático medio ponderado en frecuencia de la aceleración según EN 50636-2-91:

= < 2,5 m/s²; incertidumbre (K) = 1,5 m/s².

L_m (presión acústica) 72 dB(A)
 incertidumbre (K) = 2,8 dB(A)

Declaración de conformidad CE

**DIRECTIVA DE MÁQUINAS
 DIRECTIVA SOBRE EL RUIDO EXTERIOR**



Sopladores GWC1815/GWC1820PC

Black & Decker declara que los productos descritos en el apartado "Datos técnicos" son conformes a las normas siguientes:

2006/42/CE, EN 60335-1:2012 + A11:2014
 EN 50636-2-91:2014

2000/14/CE, Cortacésped, L ≤ 50 cm, Anexo VIII
 DEKRA Certification B.V., Utrechtseweg 310,
 6802 ED Arnhem, Países Bajos
 N.º de ID del departamento notificado: 0344

Nivel de intensidad acústica de acuerdo con la Directiva

2000/14/CE
 (artículo 12, anexo III, L ≤ 50 cm):
 L_m (potencia acústica medida) 86 dB(A)
 incertidumbre (K) = 2,8 dB(A)
 L_m (potencia acústica garantizada) 89 dB(A)

Estos productos también cumplen las Directivas 2014/30/EU, 2011/65/EU.

Si desea más información, póngase en contacto con Black & Decker en la dirección indicada a continuación o bien consulte la parte posterior de este manual.

El abajo firmante es el responsable de la compilación del archivo técnico y realiza esta declaración en representación de Black & Decker.

R. Laverick
 Director de Ingeniería
 Black & Decker Europa, 210 Bath Road, Slough,
 Berkshire, SL1 3YD
 Reino Unido
 10/11/2015

Garantía

Black & Decker confia en la calidad de sus productos y ofrece a los consumidores una garantía de 24 meses a partir de la fecha de compra. Esta garantía es adicional a sus derechos legales y no los menoscaba en modo alguno. La garantía es válida dentro de los territorios de los Estados Miembros de la Unión Europea y del Area de Libre Comercio Europea.

Para reclamar la garantía, la reclamación se debe presentar de conformidad con las condiciones de Black & Decker. Tendrá que adjuntar un justificante de compra al vendedor o al agente técnico autorizado. Las condiciones de la garantía de 2 años de Black & Decker y la ubicación de su agente técnico autorizado más cercano se pueden obtener en Internet en www.2helpU.com o poniéndose en contacto con su oficina local de Black & Decker en la dirección que se indica en este manual.

Visite nuestro sitio web www.blackanddecker.co.uk para registrar su nuevo producto Black & Decker y recibir noticias sobre nuevos productos y ofertas especiales.

Utilização pretendida

Os sopradores BLACK+DECKER GWC1815 e GWC1820PC foram concebidos para limpar folhas. Este aparelho destina-se apenas a utilização doméstica.

Instruções de segurança

Atenção! Ao utilizar aparelhos eléctricos/sem fios, deve sempre cumprir as medidas de segurança básicas, incluindo as seguintes, de modo a reduzir os riscos de incêndio, choque eléctrico e danos pessoais e materiais.

- ◆ Leia com atenção todo o manual antes de utilizar o aparelho.
- ◆ A utilização prevista para este aparelho está descrita neste manual. A utilização de qualquer acessório ou a realização de qualquer operação com este aparelho que não esteja incluída no presente manual de instruções poderá representar um risco de ferimentos pessoais.
- ◆ Conserve este manual para referência futura.

Utilização do aparelho

Tenha sempre cuidado quando utilizar este aparelho.

- ◆ Utilize sempre óculos ou viseiras de protecção.
- ◆ Não permita que crianças, pessoas com capacidades físicas, sensoriais ou mentais reduzidas ou falta de experiência e conhecimentos ou não familiarizadas com estas instruções utilizem a máquina, as normas locais podem restringir a idade do operador.
- ◆ Nunca utilize a máquina enquanto pessoas, em especial as crianças, ou animais de estimação estiverem por perto.
- ◆ Nunca deixe crianças ou pessoas que não estejam familiarizadas com estas instruções utilizar este aparelho.

- ◆ Não deixe crianças ou animais aproximarem-se da área de trabalho ou tocarem no aparelho ou no cabo de alimentação.
- ◆ É necessária uma supervisão atenta quando o aparelho está a ser utilizado próximo de crianças.
- ◆ Este aparelho não deve ser utilizado por jovens ou pessoas doentes sem supervisão.
- ◆ Este aparelho não deve ser utilizado como um brinquedo.
- ◆ Utilize apenas o aparelho à luz do dia ou com uma boa luz artificial.
- ◆ Utilize-o apenas num local seco. Não deixe molhar o aparelho.
- ◆ Evite utilizar o aparelho em condições meteorológicas adversas, especialmente se houver risco de relâmpagos.
- ◆ Não mergulhe o aparelho em água.
- ◆ Não abra a estrutura do aparelho. Não existem peças para manipulação pelo utilizador no interior.
- ◆ Não utilize o equipamento em áreas com risco de explosão, nas quais se encontrem líquidos, gases ou poeiras inflamáveis.
- ◆ O aparelho só pode ser utilizado com a fonte de alimentação fornecida com o mesmo.

Riscos residuais.

Podem surgir riscos residuais adicionais durante a utilização da ferramenta, que poderão não constar nos avisos de segurança incluídos.

Estes riscos podem resultar de má utilização, uso prolongado, etc.

Mesmo com o cumprimento dos regulamentos de segurança relevantes e com a implementação de dispositivos de segurança, alguns riscos residuais não podem ser evitados.

Estes incluem:

- ◆ Ferimentos causados pelo contacto com peças em rotação/movimento.
- ◆ Ferimentos causados durante a troca de peças, lâminas ou acessórios.
- ◆ Ferimentos causados pela utilização prolongada de uma ferramenta. Quando utilizar uma ferramenta durante períodos prolongados, certifique-se de que faz pausas regularmente.
- ◆ Danos auditivos.
- ◆ Problemas de saúde causados pela inalação de poeiras resultantes da utilização da ferramenta (exemplo: trabalhos em madeira, especialmente carvalho, faia e MDF.)

Após a utilização

- ◆ Quando não for utilizado, o aparelho deve ser guardado num local seco e com boa ventilação, fora do alcance das crianças.
- ◆ As crianças não devem ter acesso a aparelhos armazenados.
- ◆ Quando o aparelho for guardado ou transportado num veículo, deverá ser colocado na bagageira ou fixo de forma a evitar o movimento devido a alterações súbitas na velocidade ou direcção.

Inspeção e reparações

- ◆ Antes da utilização verifique o aparelho quanto a peças danificadas ou avariadas. Verifique se existem peças partidas e quaisquer outras situações que possam afectar o bom funcionamento.
- ◆ Não utilize este aparelho se alguma das suas peças estiver danificada ou avariada.
- ◆ Mandar reparar ou substituir quaisquer peças danificadas ou avariadas por um agente de reparação autorizado.

- ◆ Nunca tente retirar ou substituir quaisquer peças que não as especificadas neste manual.

Vibração

Os valores de emissão de vibração declarados na secção de dados técnicos e na declaração de conformidade foram medidos de acordo com um método de teste padrão fornecido pela EN 50636 e e podem ser utilizados para comparar ferramentas. O valor de emissão de vibração declarado pode ainda ser utilizado numa avaliação preliminar de exposição.

Atenção! O valor de emissão de vibração declarado durante a utilização real da ferramenta eléctrica pode ser diferente do valor declarado, dependendo da forma como a ferramenta é utilizada. O nível de vibração pode aumentar acima do nível indicado.

Quando avaliar a exposição da vibração para determinar as medidas de segurança exigidas pela Directiva 2002/44/CE para proteger pessoas que utilizem regularmente ferramentas eléctricas na sua actividade profissional, deve ser considerada uma estimativa de exposição de vibração, as condições reais de utilização e o modo de utilização da ferramenta, incluindo ainda todas as partes do ciclo de funcionamento, como os períodos de inactividade e espera da ferramenta, para além do tempo de funcionamento.

Instruções de segurança adicionais para sopradores

A utilização prevista para este aparelho está descrita no manual.

A utilização de qualquer acessório ou a realização de qualquer operação com este aparelho que não se inclua no presente manual de instruções pode representar um risco de ferimentos pessoais e/ou danos materiais.

- ◆ Para proteger os pés e pernas durante a utilização do soprador, use sempre calçado resistente e reforçado e calças compridas.
- ◆ Desligue sempre o produto, aguarde até a ventoinha parar e retire a bateria:
- ◆ Deixar o aparelho sem vigilância.
 - ◆ Limpar um obstáculo.
 - ◆ Verificar, ajustar, limpar ou trabalhar com o aparelho.
 - ◆ Se o aparelho começar a vibrar anormalmente.
- ◆ Não coloque a entrada ou saída do aspirador perto dos olhos ou ouvidos durante a utilização. Nunca sobre detritos na direcção de pessoas que se encontram nas proximidades.
- ◆ Se estiver a chover, não utilize o aparelho nem o deixe no exterior.
- ◆ Não atravesse caminhos ou estradas de gravilha quando o aparelho estiver ligado. Caminhe, nunca corra.
- ◆ Não coloque a unidade na gravilha enquanto estiver ligada.
- ◆ Tenha sempre cuidado ao deslocar-se, especialmente em terrenos inclinados. Não tente chegar a pontos fora do alcance e mantenha sempre o equilíbrio.
- ◆ Não coloque quaisquer objectos nas aberturas do aparelho. Nunca utilize o aparelho se as aberturas estiverem obstruídas – mantenha cabelos, algodão, pó ou qualquer objecto que possa reduzir a circulação do ar longe das aberturas.

Atenção! Utilize sempre o aparelho da forma descrita neste manual.

O aparelho foi concebido para ser utilizado de um modo vertical e se for utilizado de outro modo pode provocar danos pessoais. Nunca ponha o aparelho em funcionamento quando estiver pousado lateralmente ou virado ao contrário.

- ◆ O utilizador é responsável por acidentes ou perigos que possam ocorrer a outras pessoas ou bens.
- ◆ Não utilize solventes ou líquidos de limpeza para limpar o aparelho. Utilize uma raspadeira para remover a relva e a sujidade.
- ◆ Verifique regularmente o saco de recolha quanto a indícios de desgaste ou deterioração.
- ◆ As ventoinhas de substituição estão disponíveis no seu agente Black & Decker. Utilize apenas peças de substituição e acessórios recomendados pela Black & Decker.
- ◆ Mantenha todas as porcas, parafusos e pernos do aparelho apertados para assegurar um bom funcionamento.

Instruções de segurança adicionais para baterias e carregadores

Baterias

- ◆ Nunca tente abrir a bateria, seja qual for o motivo.
- ◆ Não exponha a bateria à água.
- ◆ Não armazene em locais onde a temperatura possa exceder os 40 °C.
- ◆ Carregue apenas a temperaturas ambiente entre 10 °C e 40 °C.
- ◆ Carregue apenas com o carregador fornecido com a ferramenta.
- ◆ Quando eliminar as baterias, siga as instruções da secção “Protecção do ambiente”.

Carregadores

- ◆ Utilize o seu carregador BLACK+DECKER apenas para carregar a bateria da ferramenta com que foi fornecido. Outras baterias podem rebentar, provocando ferimentos e danos.
- ◆ Nunca tente carregar baterias não recarregáveis.
- ◆ Substitua os cabos defeituosos imediatamente.
- ◆ Não exponha o carregador à água.
- ◆ Não abra o carregador.
- ◆ Não abra o carregador.



O carregador deverá ser utilizado apenas em espaços interiores.



Antes da utilização, leia o manual de instruções.

Segurança eléctrica



O seu carregador tem isolamento duplo. Por esse motivo, não precisa de ligação à terra. Verifique sempre se a tensão de alimentação corresponde à tensão indicada na placa de especificações. Nunca tente substituir a unidade do carregador por uma tomada de alimentação normal.

- ◆ Se o cabo de alimentação estiver danificado, terá de ser substituído pelo fabricante ou por um Centro de Assistência autorizado BLACK+DECKER, de modo a evitar situações de perigo.

Rótulos do aparelho

Os seguintes símbolos de aviso apresentam os seguintes símbolos de aviso juntamente com o código de data:



Antes de utilizar o aparelho, leia o manual.



Utilize óculos ou viseiras de protecção quando utilizar este aparelho.



Utilize protecções auditivas adequadas ao utilizar o aparelho.



Retire sempre a bateria do aparelho antes de efectuar qualquer processo de limpeza ou manutenção.



Esteja atento à projecção de objectos. Mantenha as pessoas afastadas da área de corte.



Não exponha o aparelho à chuva ou humidade elevada.



A potência sonora cumpre a Directiva 2000/14/CE.

Componentes

Este aparelho inclui algumas ou todas as seguintes características.

1. Interruptor de ligar/desligar
2. Tubo
3. Botão Power Command (apenas no modelo GWC1820PC).

Conjunto de tubos

Nota: Antes de instalar ou retirar o tubo do soprador, certifique-se de que o desliga e retira a bateria. O tubo deve ser montado no compartimento antes de ser utilizado.

- ◆ Para montar o tubo no soprador, alinhe o tubo com o soprador, como indicado na Figura A.
- ◆ Insira o tubo no compartimento do soprador até o botão de bloqueio (4) encaixar no orifício de fixação (5) no tubo.

Instalar a bateria

- ◆ Insira a bateria na ferramenta até ouvir um clique, como indicado na Figura B. Certifique-se de que a bateria está totalmente inserida e fixada na respectiva posição.

Retirar a bateria

- ◆ Prima o botão de libertação da bateria (6) na parte de trás da bateria e retire a bateria do conjunto da ferramenta, como indicado na Figura C.

Funcionamento

Atenção! Utilize sempre óculos de protecção. Use uma máscara filtrante se a operação produzir pó. É recomendável usar luvas, calças compridas e calçado robusto. Mantenha o cabelo comprido e a roupa larga afastada de aberturas e peças em movimento. ESTE SOPRADOR DESTINA-SE APENAS A UTILIZAÇÃO DOMÉSTICA.

- ◆ Segure o soprador com uma mão, como indicado na Figura D e varra de um lado para o outro com o bocal a uma distância de vários centímetros do chão. Avance lentamente, mantendo a pilha acumulada de resíduos à sua frente.

Ligar e desligar

Atenção! Use ambas as mãos para agarrar no aparelho com firmeza quando o ligar.

Atenção! Não aponte a descarga da unidade para si ou para outras pessoas que estejam presentes.

- ◆ Para ligar o soprador, deslize o interruptor de ligar/desligar para a frente, como indicado na Figuras E1 e E2.
- ◆ Para desligar o soprador, deslize o interruptor de ligar/desligar para trás, como indicado na Figuras F1 e F2.

Funcionalidade POWERCOMMAND

A funcionalidade POWERCOMMAND (3) está localizada no punho da ferramenta GWC1820PC, como indicado na Figura G. Esta funcionalidade permite-lhe otimizar o desempenho das ferramentas e aumentar a potência conforme necessário.

- ◆ Desligue o soprador.
- ◆ Para activar o modo "Aumento", prima e mantenha premido o botão POWERCOMMAND.
- ◆ Para desactivar o modo "Aumento", liberte o botão POWERCOMMAND.
- ◆ Utilize o modo "Normal" para a maior parte dos procedimentos de varrimento. (Será atingido um tempo de execução mais longo.)
- ◆ Active o modo "Aumento", conforme necessário, para limpar resíduos pesados ou molhados.

Resolução de problemas

Problema	Causa possível	Possível solução
A unidade não é iniciada.	A bateria não foi colocada correctamente.	Verifique a instalação da bateria.
	A bateria não está carregada.	Verifique os requisitos para carregar a bateria.
A bateria não irá ser carregada.	Bateria não introduzida no carregador.	Insira a bateria no carregador até o LED verde acender.
	Carregador não ligado.	Ligue o carregador à tomada. Consulte "Notas importantes sobre carregamento" para obter mais informações.
		Verifique a corrente no receptáculo, ligando uma lâmpada ou outro aparelho.
		Verifique se o receptáculo está ligado a um comutador de iluminação que se desliga quando desliga as luzes.
A temperatura de ar circundante é demasiado quente ou fria.	O carregador e a ferramenta devem estar a uma temperatura de ar circundante superior a 45 °C ou inferior a 40,5 °C.	

- ◆ Não elimine as baterias queimando-as, dado que tal constitui um risco de ferimentos ou de explosão.

Dados técnicos

GWC1815		
Tensão de entrada	V _{ca}	18
Velocidade sem carga	/min	12500
Peso	kg	1.7

Bateria			BL1518
Tensão	V _{cc}	18	
Capacidade	Ah	1.5	
Tipo	Iões de lítio		
Carregador	400mA		

GWC1820PC		
Tensão de entrada	V _{ca}	18
Velocidade sem carga	/min	10.000 - 12.500
Peso	kg	1.7

Bateria			BL2018
Tensão	V _{cc}	18	
Capacidade	Ah	2	
Tipo	Iões de lítio		
Carregador	400mA		

Protecção do ambiente



Faça uma recolha de lixo selectiva. Os produtos e baterias assinalados com este símbolo não devem ser eliminados em conjunto com resíduos domésticos normais.

Os produtos e baterias contêm materiais que podem ser recuperados ou reciclados, reduzindo a necessidade de matérias-primas. Recicle os produtos eléctricos e as baterias de acordo com as disposições locais.

Baterias



Quando as baterias chegarem ao fim da sua vida útil, elimine-as de forma segura para o ambiente:

- ◆ Deixe a bateria descarregar completamente e, em seguida, remova-a da ferramenta.
- ◆ As baterias de NiCd, NiMH e de iões de lítio são recicláveis. Coloque as baterias numa embalagem adequada, certificando-se de que os terminais não entram em curto-circuito. Leve as baterias ao seu agente de manutenção autorizado ou a uma estação de reciclagem local.
- ◆ Não coloque os terminais da pilha em curto-circuito.

Valor ponderado da vibração da mão/braço, de acordo com a norma EN 50636-2-91:

$$= < 2,5 \text{ m/s}^2, \text{ imprecisão } (K) = 1,5 \text{ m/s}^2.$$

$$L_w \text{ (pressão acústica) } 72 \text{ dB(A)}$$

$$\text{imprecisão } (K) = 2,8 \text{ dB(A)}$$

Declaração de conformidade CE**DIRECTIVA “MÁQUINAS”
DIRECTIVA SOBRE RUÍDO EXTERIOR****GWC1815/GWC1820PC ventilador**

A Black & Decker declara que os produtos descritos nos “dados técnicos” estão em conformidade com:
2006/42/CE, EN 60335-1:2012 + A11:2014
EN 50636-2-91:2014

2000/14/CE, Cortador de Relvados, $L \leq 50$ cm, Anexo VIII
Certificação da DEKRA B.V., Utrechtseweg 310,
6802 ED Arnhem, Países Baixos
N.º de ID do Organismo Notificado: 0344

Nível de potência acústica de acordo com 2000/14/CE
(Artigo 12, Anexo III, $L \leq 50$ cm):
 L_m (potência acústica medida) 86 dB(A)
imprecisão (K) = 2,8 dB(A)
 L_m (potência acústica garantida) 89 dB(A)

Estes produtos estão também em conformidade com as
Directivas 2014/30/EU, 2011/65/EU.

Para mais informações, contacte a Black & Decker no endereço indicado em seguida ou consulte o verso do manual.
O signatário é responsável pela compilação do ficheiro técnico e efectua esta declaração em nome da Black & Decker.

R. Laverick
Director de Engenharia
Black & Decker Europe, 210 Bath Road, Slough,
Berkshire, SL1 3YD
Reino Unido
10/11/2015

Garantia

A Black & Decker confia na qualidade dos seus produtos e oferece aos clientes uma garantia de 24 meses a partir da data de compra. Esta garantia é um complemento dos seus direitos estabelecidos por lei, não os prejudicando de forma alguma. A garantia é válida nos Estados-membros da União Europeia e nos países-membros da Zona Europeia de Comércio Livre.

Para accionar a garantia, esta deve estar em conformidade com os termos e condições da Black&Decker e terá de apresentar comprovativos de compra ao vendedor ou a um agente de reparação autorizado. Os termos e condições da garantia de 2 anos da Black&Decker e a localização do agente de reparação autorizado mais próximo pode ser obtido na Internet em www.2helpU.com ou contactando uma filial da Black & Decker, cuja morada está indicada neste manual.

Visite o nosso Website www.blackanddecker.co.uk para registar o novo produto Black & Decker e manter-se actualizado relativamente a novos produtos e ofertas especiais.

Avsedd användning

Din BLACK+DECKER GWC1815 och GWC1820PC blåsare har designats för lövrensning. Denna apparat är endast avsedd för konsumentbruk.

Säkerhetsinstruktioner

Varning! Vid användning av nätdrivna och sladdlösa apparater ska grundläggande säkerhetsföreskrifter, inklusive följande föreskrifter, alltid följas. Detta för att förhindra brand, stötar, personskador och materialskador.

- ◆ Läs hela den här bruksanvisningen noga innan du börjar använda apparaten.
- ◆ Avsedd användning beskrivs i denna bruksanvisning. Använd inte apparaten med andra tillbehör än de som rekommenderas i den här bruksanvisningen och inte heller till andra användningsområden eftersom det kan leda till personskador.
- ◆ Spara den här bruksanvisningen för framtida referens.

Använda apparaten

Var alltid försiktig när du använder apparaten.

- ◆ Använd alltid säkerhetsglasögon eller skyddsglasögon.
- ◆ Låt aldrig barn, personer med reducerad fysisk, sensorisk eller mental kapacitet eller utan erfarenhet och kunskap eller personer som är obekant med dessa instruktioner använda maskinen, lokala bestämmelser kan begränsa åldern för användaren.
- ◆ Använd aldrig maskinen när personer, särskilt barn eller husdjur finns i närheten.
- ◆ Låt aldrig barn eller personer som inte har läst instruktionerna använda apparaten.

- ◆ Låt inte barn eller djur komma i närheten av arbetsområdet. Låt dem inte heller röra vid redskapet eller elsladden.
- ◆ Om det finns barn i närheten när du använder redskapet ska du övervaka dem noga.
- ◆ Denna apparat är inte avsedd att användas av unga eller oerfarna personer utan övervakning.
- ◆ Denna apparat ska inte användas som leksak.
- ◆ Använd endast apparaten i dagsljus eller i tillräcklig artificiell belysning.
- ◆ Använd den endast på en torr plats. Skydda apparaten från väta.
- ◆ Undvik att använda apparaten under dåliga väderförhållanden, särskilt när det är risk för åska.
- ◆ Doppa aldrig apparaten i vatten.
- ◆ Öppna inte höljet. Det finns inga servicebara delar inuti.
- ◆ För att undvika explosionsrisk bör du inte använda apparaten i omgivningar med brandfarliga vätskor, gaser eller damm.
- ◆ Apparaten får bara användas med den strömförsörjningsenhet som levereras med apparaten.

Övriga risker.

Ytterligare risker som inte finns med i de bifogade säkerhetsanvisningarna kan uppstå när verktyget används.

Dessa risker kan uppstå vid felaktig eller långvarig användning, etc.

Även om alla relevanta säkerhetsanvisningar följs och säkerhetsanordningar används kan vissa risker inte undvikas. Dessa omfattar:

- ◆ Skador orsakade av att roterande/rörliga delar vidrörs.

- ◆ Skador som uppstår vid byte av delar, blad eller tillbehör.
- ◆ Skador som orsakas av långvarig användning av ett verktyg. Se till att regelbundet ta vilopauser när du använder ett verktyg under en längre period.
- ◆ Hörselnedsättning.
- ◆ Hälsorisker orsakade av inandning av damm när redskapet används (exempel: arbete med trä, särskilt ek, bok och MDF.)

Efter användning

- ◆ När den inte används bör apparaten förvaras utom räckhåll för barn på en torr plats med god ventilation.
- ◆ Barn ska inte ha tillgång till apparater under förvaring.
- ◆ När apparaten förvaras eller transporteras i en bil ska det placeras i bagageutrymmet eller spännas fast så att det inte rör sig vid plötsliga ändringar av hastighet eller riktning.

Kontroll och reparationer

- ◆ Kontrollera att apparaten är hel och att inga delar är skadade innan du använder den. Kontrollera att inga delar är trasiga och att inget annat föreligger som kan påverka redskapets funktion.
- ◆ Använd inte apparaten om någon del har skadats eller gått sönder.
- ◆ Låt en auktoriserad verkstad reparera eller byta ut skadade eller trasiga delar.
- ◆ Försök aldrig avlägsna eller byta ut andra delar än de som anges i den här bruksanvisningen.

Vibrationer

De deklarerade vibrationsemissionsvärdena som anges i tekniska data och i deklarationen om uppfyllelse har

uppmätts i enlighet med en standardtestmetod tillhandahållen av EN 50636 och kan användas för att jämföra ett verktyg med ett annat. Kan det deklarerade vibrationsemissionsvärdet också användas för preliminär utvärdering av exponering.

Varning! Vibrationsemissionsvärdet under faktisk användning av elverktyg kan skilja sig från det deklarerade värdet beroende på sättet som verktyget används. Vibrationsnivån kan överstiga den uppgivna nivån.

Vid värdering av vibrationsexponering för att avgöra säkerhetsåtgärder som krävs enligt 2002/44/EG för att skydda personer som regelbundet använder elverktyg i sitt arbete skall en uppskattning av vibrationsexponeringen övervägas, det verkliga användarförhållandet och sättet som verktyget används på, inklusive alla delar av driftcykeln såsom tiden som verktyget är avstängt och när det körs på tomgång som tillägg till körtiden.

Ytterligare säkerhetsanvisningar för blåsare

Avsedd användning beskrivs i den här bruksanvisningen. Om andra tillbehör eller tillsatser används eller om någon annan åtgärd än de som rekommenderas i den här bruksanvisningen utförs med apparaten kan personer och/eller egendom skadas.

- ◆ Skydda fötter och ben när du använder apparaten genom att alltid bära kraftiga skor och långbyxor.
- ◆ Slå alltid av produkten, låt fläkten stanna och ta bort batteriet när:
- ◆ Du lämnar produkten utan tillsyn.
 - ◆ Du tar bort ett stopp.

- ◆ Du kontrollerar, justerar, rengör eller utför andra reparationsarbeten på produkten.
- ◆ Apparaten börjar vibrera på ett onormalt sätt.
- ◆ Ha inte insugnings- eller utblåsningshålet i närheten av ögon eller öron när redskapet används. Blås aldrig skräp mot någon.
- ◆ Apparaten bör inte användas när det regnar eller lämnas utomhus när det regnar.
- ◆ Gå inte över grusgångar eller grusvägar när produkten är påslagen. Gå med produkten. Spring aldrig.
- ◆ Lägg inte enheten på grus medan den är påslagen.
- ◆ Se alltid till så att du har ett bra fotfäste och var särskilt försiktig när marken sluttar. Sträck dig inte för långt och håll alltid balansen.
- ◆ Stoppa inte in några föremål i öppningarna. Använd aldrig apparaten om öppningarna är blockerade. Håll borta hår, ludd, damm och annat som kan minska luftflödet.

Varning! Använd alltid produkten på det sätt som beskrivs i den här handboken. Produkten är avsedd att användas i upprätt läge. Om den används på något annat sätt kan det orsaka personskador. Använd aldrig produkten om den ligger på sidan eller upp och ned.

- ◆ Användaren ansvarar för olyckor och risker som andra människor eller deras egendom utsätts för.
- ◆ Använd inte lösnings- eller rengöringsmedel när du rengör produkten. Ta bort gräs och smuts från apparaten med ett trubbigt skrapverktyg.
- ◆ Kontrollera ofta att uppsamlaren inte är utsliten eller har skadats.

- ◆ Nya fläktar finns att köpa hos Black & Decker-återförsäljare. Använd endast reservdelar och tillbehör som rekommenderas av Black & Decker.
- ◆ För säker användning av redskapet ska du se till att alla muttrar, bultar och skruvar är ordentligt åtdragna.

Ytterligare säkerhetsinstruktioner för batterier och laddare

Batterier

- ◆ Försök aldrig öppna batteriet.
- ◆ Utsätt inte batteriet för vatten.
- ◆ Förvara inte apparaten på platser där temperaturen kan bli högre än 40 °C.
- ◆ Ladda endast vid temperaturer mellan 10 °C och 40 °C.
- ◆ Ladda endast med hjälp av laddaren som medföljer verktyget.
- ◆ Följ instruktionerna som anges i avsnittet "skydda miljön" när du kastar batterierna".

Laddare

- ◆ Använd endast laddaren från BLACK+DECKER för att ladda batteriet i det apparat som laddaren levererades med. Andra batterier kan spricka och orsaka personskador och andra skador.
- ◆ Försök aldrig ladda batterier som inte är uppladdningsbara.
- ◆ Byt defekta sladdar omgående.
- ◆ Utsätt inte laddaren för vatten.
- ◆ Öppna inte laddaren.
- ◆ Gör ingen åverkan på laddaren.



Laddaren är endast avsedd för användning inomhus



Läs bruksanvisningen före användning.

Elsäkerhet



Eftersom laddaren är dubbelisolerad behövs ingen jordledare. Kontrollera alltid att nätspänningen överensstämmer med värdet på typskylten. Försök aldrig byta ut laddaren mot en vanlig nätkontakt.

- ♦ Om nätsladden är skadad måste den bytas ut av tillverkaren eller ett auktoriserat BLACK+DECKER servicecenter för att undvika fara.

Etiketter på apparaten

Följande varningssymboler finns på redskapet, tillsammans med datumkoden:



Läs bruksanvisningen innan användning.



Bär alltid skyddsglasögon när du använder denna apparat.



Bär lämpliga hörselskydd när du använder apparaten.



Ta alltid bort batteriet från apparaten innan någon rengöring eller underhåll utförs.



Se upp för flygande föremål. Håll andra personer borta från arbetsområdet.



Utsätt inte apparaten för regn eller hög luftfuktighet.



Garanterat ljudnivå enligt direktiv 2000/14/EG.

Funktioner

Denna apparat har några eller samtliga av följande funktioner:

1. Strömbrytare
2. Rör
3. Strömkommandoknapp (endast GWC1820PC).

Rörmontage

Notera: Se till att blåsaren är avstängd och att batteriet är borttaget innan blåsroret tas bort eller monteras. Blåsroret måste monteras på höljet innan den används.

- ♦ För att fästa roret på blåsaren, rikta in roret mot blåsarens hölje såsom visas i figur A.
- ♦ Skjut roret på blåsrohölet till låsknappen (4) aktiveras i hålet (5) i roret.

INSTALLERA BATTERIPAKETET

- ♦ Sätt fast batteripaketet i verktyget tills ett ljudligt klick hörs, såsom visas i figur B. Se till att batteripaketet är helt isatt och låst på plats.

Ta bort batteripaketet

- ♦ Tryck ned batteriets låsknapp (6) som är placerad på batteripaketet och dra ut batteripaketet från verktyget såsom visas i figur C.

Drift

Varning! Bär alltid skyddsglasögon. Använd en filtermask vid arbete i dammiga miljöer. Användning av handskar och lämplig skobeklädnad rekommenderas. Håll långt hår och löst sittande kläder borta från öppningar och rörliga delar. **PRODUKTEN ÄR ENDAST AVSEDD FÖR HEMMABRUK.**

- ♦ Håll blåsaren med ena handen såsom visas i figur D och svep från sida till sida med munstycket flera centimeter ovanför marken. Avancera långsamt framåt med det ihopsamlade skräpet framför dig.

Slå på och av

Varning! Håll apparaten stadigt med båda händerna när du slår på den.

Varning! Rikta inte utblåset mot dig själv eller mot åskådare.

- ♦ För att slå på blåsaren, skjut strömbrytaren framåt såsom visas i figur E1 och E2.
- ♦ För att stänga av blåsaren, skjut strömbrytaren tillbaka såsom visas i figur F1 och F2.

Funktionen POWERCOMMAND

(effektkommando)

POWERCOMMAND funktionen (3) är placerad på GWC1820PC verktygshandtaget såsom visas i figur G. Den gör att du kan optimera verktygets prestanda och boosta effekten när så behövs.

- ♦ Slå på blåsaren.
- ♦ För att aktivera "Boost" läget tryck på och håll kvar POWERCOMMAND knappen.
- ♦ För att avaktivera "Boost" läget släpp POWERCOMMAND knappen.
- ♦ Använd verktyget i "Normal"-läge för de flesta blåsbehov. (Längre driftstid uppnås.)
- ♦ Aktivera "Boost" läge när så behövs för att rensa bort kraftigt eller vått skräp.

Felsökning

Problem	Möjlig orsak	Möjlig lösning
Enheten startar inte.	Batteriet är inte korrekt installerat.	Kontrollera batteriets installation.
	Batteriet är inte laddat.	Kontrollera batteriets laddningskrav.
Batteriet går inte att ladda.	Batteriet är inte isatt i laddaren.	Sätt i batteriet i laddaren tills en grön lysdiod tänds.
	Laddaren är inte ansluten till elnätet.	Anslut laddaren till ett fungerande eluttag. Se "Viktiga anmärkningar gällande laddning" för närmare information.
		Kontrollera eluttaget genom att ansluta en lampa eller någon annan apparat.
		Kontrollera om uttaget är anslutet till en strömbrytare som stänger av strömmen när du släcker ljuset.
Omgivande temperatur är för varm eller för kall.	Flytta laddaren och verktyget till en plats där lufttemperaturen är över 4,5 °C eller under +40,5 °C.	

Tekniska data

GWC1815		
Ingående spänning	V_{oc}	18
Obelastad hastighet	/min	12500
Vikt	kg	1.7

BL1518		
Batteri		
Spänning	V_{oc}	18
Kapacitet	Ah	1.5
Typ	Li-jon	
Laddare	400mA	

GWC1820PC		
Ingående spänning	V_{oc}	18
Obelastad hastighet	/min	10 000 - 12 500
Vikt	kg	1.7

BL2018		
Batteri		
Spänning	V_{oc}	18
Kapacitet	Ah	2
Typ	Li-jon	
Laddare	400mA	

Vibrationsvärdet på hand/arm enligt EN 50636-2-91:

= < 2,5 m/s², osäkerhet (K) = 1,5 m/s².

L_w (ljudtryck) 72 dB(A)

osäkerhet (K) = 2,8 dB(A)

Skydda miljön



Separat insamling. Produkter och batterier som är markerade med denna symbol får inte kastas in de vanliga hushållsoporna.

Produkter och batterier innehåller material som kan återanvändas eller återvinnas för att minska behovet av råmaterial. Återvinn elektriska produkter och batterier enligt lokala bestämmelser.

Batterier



Kassera batterierna på ett miljövänligt sätt när de är förbrukade:

- ◆ Låt batteriet laddas ur helt och ta sedan ut det ur verktyget.
- ◆ Batterier av typerna nickelmetallhydrid (NiMH) och litiumjon (Li-jon) kan återvinnas. Packa in batterierna så att polerna inte kan kortslutas. Ta med dem till en auktoriserad verkstad eller en återvinningsstation.
- ◆ Kortslut inte batteripolerna.
- ◆ Släng aldrig batterier i elden eftersom det kan leda till personskador eller orsaka en explosion.

EG Försäkran om överensstämmelse**MASKINDIREKTIVET
BULLERFÖRESKRIFTER, UTMOMHUS****GWC1815/GWC1820PC blåsare**

Black & Decker deklarerar att dessa produkter, beskrivna under "tekniska data" uppfyller:
2006/42/EG, EN 60335-1:2012 + A11:2014
EN 50636-2-91:2014

2000/14/EG, Grästrimmer, L ≤ 50cm, Annex VIII
DEKRA Certification B.V., Utrechtseweg 310,
6802 ED Arnhem, Nederländerna
Anmält organ, id-nr: 0344

Den akustiska effekten enligt 2000/14/EG (Artikel 12, Annex III, L ≤ 50 cm):

L_m (uppmätt ljudnivå) 86 dB(A)
osäkerhet (K) = 2,8 dB(A)
 L_m (garanterad ljudnivå) 89 dB(A)

Dessa produkter överensstämmer också med direktiven
2014/30/EU, 2011/65/EU.

Mer information får du genom att kontakta
Black & Decker på följande adress eller titta i slutet av bruks-
anvisningen.

Undertecknad är ansvarig för sammanställningen av tekniska
data och gör denna försäkran för Black & Decker.

R. Laverick
Director of Engineering
Black & Decker Europe, 210 Bath Road, Slough,
Berkshire, SL1 3YD
Storbritannien
2015-11-10

Garanti

Black & Decker är säker på kvaliteten hos denna produkt och erbjuder kunder 24 månaders garanti från inköpsdatumet. Garantin gäller utöver konsumentens rättigheter enligt lag och påverkar inte dessa. Garantin är giltig i de territorier som tillhör medlemsstaterna i Europeiska unionen och det europeiska frihandelsområdet.

För yrkande under garantin måste yrkandet vara in enlighet med Black&Deckers villkor och du kommer att behöva skicka in bevis på köpet till försäljaren eller en auktoriserad reparatör. Villkoren för Black&Deckers tvååriga garanti och var du hittar din närmaste auktoriserade reparatör kan erhållas på internet på www.2helpU.com, eller genom att kontakta ditt lokala Black & Decker kontor på adressen som angetts i denna bruksanvisning.

Besök vår webbplats www.blackanddecker.se för att registrera din nya Black & Decker-produkt samt för att få information om nya produkter och specialerbjudanden.

Tiltenkt bruk

BLACK+DECKER GWC1815 og GWC1820PC løvblåser er designet for å fjerne løv. Apparatet er beregnet bare for privat bruk.

Sikkerhetsinstruksjoner

Advarsel! Ved bruk av nettdrevne/batteridrevne apparater må grunnleggende sikkerhetsforholdsregler (inkludert punktene som er beskrevet nedenfor) alltid følges for å redusere risikoen for brann, elektrisk støt, personskade og skade på materiell.

- ◆ Les hele denne håndboken nøye før du bruker apparatet.
- ◆ Beregnet bruk er beskrevet i denne bruksanvisningen. Hvis du bruker annet tilbehør, kobler til annet utstyr eller bruker dette apparatet til andre oppgaver enn det som er anbefalt i denne håndboken, kan det føre til fare for personskade.
- ◆ a vare på denne håndboken for fremtidig bruk.

Bruke produktet

Vær alltid forsiktig når du bruker apparatet.

- ◆ Bruk alltid vernebriller.
- ◆ La aldri barn, personer med reduserte fysiske, sensoriske eller mentale evner eller personer som mangler erfaring og kunnskap eller personer som ikke har kjennskap med disse instruksjonene, håndtere maskinen, lokale bestemmelser kan legge begrensninger på brukens alder.
- ◆ Du skal aldri bruke maskinen når personer, spesielt barn og husdyr er i nærheten.
- ◆ La aldri barn eller personer som ikke kjenner instruksjonene, bruke verktøyet.

- ◆ Pass på at barn og dyr ikke kommer i nærheten av arbeidsområdet, og at de ikke berører verktøyet eller strømledningen.
- ◆ Pass ekstra godt på når apparatet brukes i nærheten av barn.
- ◆ Det er ikke meningen at denne maskinen skal brukes av unge eller svakelige personer uten tilsyn.
- ◆ Dette verktøyet skal ikke brukes som leketøy.
- ◆ Bruk apparatet bare i dagslys eller godt kunstig lys.
- ◆ Skal bare brukes på tørre steder. Ikke la apparatet bli vått.
- ◆ Unngå å bruke apparatet i dårlig vær, spesielt dersom det er fare for lyn og torden.
- ◆ Ikke senk apparatet ned i vann.
- ◆ Ikke åpne huset til verktøyet. Det er ingen deler inni som brukere skal håndtere.
- ◆ Ikke arbeid med produktet i eksplosjonsfarlige omgivelser, som for eksempel der det befinner seg brennbare væsker, gass eller støv.
- ◆ Apparatet må bare brukes med strømforsyningsenheten som fulgte med apparatet.

Andre risikoer.

Når verktøyet brukes, kan det oppstå ytterligere risikoer som kanskje ikke er beskrevet i de medfølgende sikkerhetsadvarslene.

Disse risikoene kan bli forårsaket av feil bruk, langvarig bruk osv.

Selv om de relevante sikkerhetsbestemmelsene blir fulgt, og sikkerhetstiltakene blir gjennomført, kan visse gjenværende risikoer ikke unngås. Disse inkluderer:

- ◆ Personskader som forårsakes av berøring av en roterende/bevegelig del.
- ◆ Personskader som forårsakes av at en

del, et blad eller tilbehør endres.

- ◆ Personskader som skyldes for lang tids bruk av verktøyet. Når du bruker et verktøy i lange perioder, må du sørge for å ta regelmessige pauser.
- ◆ Hørselskader.
- ◆ Helsefarer som forårsakes av innånding av støv som dannes når du bruker verktøyet (eksempel: arbeid med tre, spesielt eik, bøk og MDF.)

Etter bruk

- ◆ Når produktet ikke er i bruk, skal det oppbevares på et tørt og godt ventilert sted utilgjengelig for barn.
- ◆ Barn skal ikke ha tilgang til apparater som oppbevares.
- ◆ Når apparatet oppbevares eller transporteres i et kjøretøy, bør det plasseres i bagasjerommet eller festes, slik at det ikke beveger seg når kjøretøyet brått endrer hastighet eller retning.

Kontroll og reparasjon

- ◆ Kontroller at produktet ikke er skadet eller har defekte deler før du bruker det. Kontroller om noen av delene er skadet, eller om det er andre forhold som kan påvirke bruken.
- ◆ Ikke bruk produktet hvis noen del er skadet eller defekt.
- ◆ Overlat reparasjon eller utskifting av skadde eller defekte deler til et autorisert serviceverksted.
- ◆ Forsøk aldri å fjerne eller skifte ut andre deler enn dem som er oppgitt i denne håndboken.

Vibrasjon

De oppgitte vibrasjonsverdiene oppgitt i teknisk data og i erklæringen om samsvarende har blitt målt i henhold til standard testmetode gitt av EN 50636 og

kan bli brukt for å sammenligne et verktøy med et annet. De oppgitte vibrasjonsverdiene kan også bli brukt i foreløpige vurderinger av eksponering.

Advarsel! Vibrasjonsverdiene under bruk av verktøyet kan være ulik den oppgitte verdien avhengig av måtene verktøyet blir brukt på. Vibrasjonsnivået kan øke over nivået som er oppgitt.

Når vibrasjonseksponering vurderes for å avgjøre sikkerhetstiltak som kreves av 2002/44/EC for å beskytte personer som bruker verktøyet

over lengre tid i forbindelse med jobb vil estimeringen av vibrasjonseksponering

ta hensyn til de virkelige bruksforhold og måten verktøyet blir brukt på, inkludert å ta hensyn til

alle deler av drift

syklusen slik som når verktøyet er slått av og når det går på tomgang i tillegg til starttid.

Ytterligere sikkerhetsinstruksjoner for løvblåsere

Beregnet bruk er beskrevet i denne håndboken. Hvis du bruker annet tilbehør, kobler til annet utstyr eller bruker dette produktet til andre oppgaver enn det som er anbefalt i denne håndboken, kan det føre til fare for personskade og/eller skade på eiendom.

- ◆ Bruk alltid kraftig fottøy og lange bukser mens du bruker apparatet, for å beskytte føttene og bena.
- ◆ Slå alltid av produktet, la viften stoppe og fjern batteriet når:
- ◆ du forlater produktet uten tilsyn.
 - ◆ du fjerner en blokkering.

- ◆ du kontrollerer, justerer, rengjør eller arbeider på produktet.
- ◆ verktøyet begynner å vibrere unormalt.
- ◆ Ikke plasser inntaket eller uttaket for vakuemet i nærheten av øyne eller ører når det er i bruk. Blås aldri avfall mot personer som står i nærheten.
- ◆ Må ikke brukes i regnvær, og må heller ikke settes igjen ute mens det regner.
- ◆ Ikke kryss grusganger eller -veier mens produktet er slått på i blåsemodus. Gå, løp aldri.
- ◆ Ikke sett enheten ned på grus når den er slått på.
- ◆ Pass på at du alltid har godt fotfeste, særlig i skråninger. Ikke strekk deg for langt, og pass på balansen hele tiden.
- ◆ Ikke plasser noen gjenstander i åpningene. Bruk aldri produktet hvis åpningene er blokkert. Hold dem frie for hår, lo, støv og alt som kan redusere luftstrømmen.

Advarsel! Bruk alltid produktet på den måten som er forklart i denne håndboken. Produktet er konstruert for å bli brukt i loddrett stilling, og hvis det brukes på annen måte, kan det oppstå personskade. Kjør aldri produktet mens det ligger på siden eller er opp-ned.

- ◆ Operatøren eller brukeren er ansvarlig for ulykker eller farer andre personer eller deres eiendom blir utsatt for.
- ◆ Ikke bruk løsemidler eller rengjøringsvæsker til å rengjøre produktet. Bruk et butt skraperedskap for å fjerne gress og jord.
- ◆ Kontroller oppsamlingsposen ofte for slitasje eller deformering.
- ◆ Du får kjøpt reservevifter hos Black & Decker-serviceverkstedet. Bruk bare reservedeler og tilbehør som anbefales av Black & Decker.

- ◆ Pass på at alle muttere og skruer er godt tilskrudd, så du sikrer at produktet er i trygg arbeidsmessig stand.

Ytterligere sikkerhetsinstruksjoner for batterier og ladere

Batterier

- ◆ Forsøk aldri å åpne av noen årsak.
- ◆ Ikke utsett batteriet for vann.
- ◆ Ikke oppbevar det på steder hvor temperaturen kan komme over 40 °C.
- ◆ Lad bare ved temperaturer mellom 10 °C og 40 °C.
- ◆ Bruk bare laderen som følger med verktøyet.
- ◆ Følg instruksjonene i avsnittet "Miljøvern" når du skal kaste batterier.

Ladere

- ◆ Bruk bare BLACK+DECKER-laderen til å lade batteriet i apparatet som laderen ble levert sammen med. Andre batterier kan sprekke og føre til personskade og materiell skade.
- ◆ Prøv aldri å lade ikke-oppladbare batterier.
- ◆ Skift ut defekte ledninger umiddelbart.
- ◆ Ikke utsett laderen for vann.
- ◆ Ikke åpne laderen.
- ◆ Ikke stikk gjenstander eller fingre inn i laderen.



Laderen er bare beregnet for innendørs bruk.



Les denne håndboken før bruk.

Elektrisk sikkerhet



Denne laderen er dobbeltisolert. Jording er derfor ikke nødvendig. Kontroller alltid at nettspenningen er i overensstemmelse med spenningen på typeskiltet. Ikke skift ut laderen med et vanlig nettstøpsel.

- ◆ Hvis strømledningen blir skadet, må den byttes av produsenten eller et autorisert BLACK+DECKER-servicesenter for å unngå fare.

Produktmerking

Følgende advarselssymboler vises på verktøyet sammen med datokoden:



Les håndboken før bruk.



Benytt vernebriller når du bruker dette produktet.



Benytt passende hørselvern når du bruker dette produktet.



Ta alltid ut batteriet av apparatet før du foretar rengjøring eller vedlikehold.



Se opp for gjenstander som kastes rundt. Hold personer i nærheten borte fra klippeområdet.



Ikke utsett maskinen for regn eller høy fuktighet.



Garantert lydeffekt i henhold til direktiv 2000/14/EF.

Montere rør

Merk: Forsikre deg om at blåseren er slått av og at batteriet er fjernet før du fester eller fjerner blåserøret. Blåserøret må monteres til blåsemaskinen før bruk.

- ◆ For å feste røret til blåseren, rett inn røret mot blåsemaskinen som vist på Fig. A.
- ◆ Trykk røret inn i blåsemaskinen til låseknappen (4) går inn i låsehullet (5) i røret.

Installere batteripakken

- ◆ Sett batteriet inn i batterihuset til det er hekt inne og du hører et klikk som vist på Fig. B. Forsikre deg om at batteripakken sitter helt inne og er låst i posisjon.

Ta ut batteripakken

- ◆ Trykk på batteriets låseknapp (6) på batteripakken og dra batteripakken ut av verktøyet som vist på Fig. C.

Bruk

Advarsel! Bruk alltid vernebriller. Bruk en filtermaske hvis arbeidet er støvete. Bruk hansker, lange benklær og kraftige sko. Hold langt hår og løsthengende plagg borte fra åpninger og bevegelige deler. **PRODUKTET ER BARE BEREGNET FOR BRUK I PRIVATE HUSHOLDNINGER.**

- ◆ Hold blåseren med en hånd som vist på Fig. D og blås fra side til side med dysen flere centimeter over bakken. Gå sakte fremover mens du holder den oppsamlede haugen av løv foran deg.

Slå av og på

Advarsel! Bruk begge hender og hold produktet fast når du slår det på.

Advarsel! Ikke rett lustutblåsningen mot deg selv eller andre personer.

- ◆ For å slå blåseren på skal du skyve på/av knappen fremover som vist på Fig. E1 og E2.
- ◆ For å slå blåseren av skal du skyve på/av knappen bakover som vist på Fig. F1 og F2.

POWERCOMMAND funksjon

POWERCOMMAND funksjonen (3) er plassert på GWC1820PC håndtak som vist på Fig. G. Med dette kan du optimere verktøyets ytelse og få mer kraft når det trengs.

- ◆ Slå blåseren på.
- ◆ For å aktivere "Boost" modus skal du trykke og holde inne POWERCOMMAND knappen.
- ◆ For å deaktivere "Boost" modus, slipp POWERCOMMAND knappen.
- ◆ Bruk normalmodus ved de fleste typer blåsning. (Du får lengre driftstid uten lading.)
- ◆ Aktiver "Boost" modus ettersom du rydder tungt eller vått løv.

Funksjoner

Dette apparatet har noen av eller alle funksjonene nedenfor.

1. På / Av bryter
2. Rør
3. Strømknapp (kun GWC1820PC).

Feilsøking

Problem	Mulig årsak	Mulig løsning
Enheten starter ikke.	Batteriet er ikke satt inn riktig.	Kontroller innsetningen av batteriet.
	Batteriet er ikke ladet.	Kontroller kravene til ladning av batteriet.
Batteriet lader ikke.	Batteriet er ikke satt inn i laderen.	Sett batteriet i laderen til grønn LED lyser.
	Laderen er ikke satt i stikkkontakten.	Sett laderen i en stikkontakt som virker. Se "Viktige merknader om lading" for mer informasjon.
		Kontroller strømmen i kontakten ved å sette inn en lampe eller et annet apparat.
	Kontroller at stikkkontakten er koblet til en lysbryter som slår av strømmen når du slår av lyset.	
	Omgivelsestemperaturen er for varm eller kald.	Flytt laderen og batteriet til et sted med lufttemperatur over 40 grader F (4,5°C) eller under 105 grader F (+40,5°C).

Tekniske data

GWC1815		
Inngangsspenning	V_{ac}	18
Hastighet uten belastning	/min	12500
Vekt	kg	1,7

BL1518		
Batteri		
Spenning	V_{ac}	18
Kapasitet	Ah	1,5
Type	Li-Ion	
Lader	400mA	

GWC1820PC		
Inngangsspenning	V_{ac}	18
Hastighet uten belastning	/min	10 000 - 12 500
Vekt	kg	1,7

BL2018		
Batteri		
Spenning	V_{ac}	18
Kapasitet	Ah	2
Type	Li-Ion	
Lader	400mA	

Miljøvern



Separat avfallshåndtering. Produkter og batterier merket med dette symbolet skal ikke kastes i vanlig husholdningsavfall.

Produkter og batterier inneholder materialer som kan gjenbrukes eller gjenvinnes for å redusere behovet for nye råmaterialer. Vennligst lever elektrisk utstyr og batterier til gjenbruk i henhold til lokale regler.

Batterier



Tenk på miljøet når batteriene er tomme og du skal kaste dem:

- ◆ La batteriet gå helt tomt og fjern det så fra verktøyet.
- ◆ NiCd-, NiMH- og litiumionebatterier kan gjenvinnes. Legg batteriet i egnet emballasje for å sikre at terminalene ikke kortslutter. Ta med batteriene til et autorisert serviceverksted eller til en lokal spesialavfallsstasjon.
- ◆ Ikke kortslutt batteriterminalene.
- ◆ Du må ikke brenne batterier ettersom dette kan medføre risiko for personskade eller eksplosjon.

Vektet vibrasjonsverdi for hånd/arm i samsvar med EN 50636-2-91:

$$= < 2,5 \text{ m/s}^2, \text{ usikkerhet (K) = } 1,5 \text{ m/s}^2.$$

$$L_{va} \text{ (lydtrykk) } 72 \text{ dB(A)}$$

$$\text{usikkerhet (K) = } 2,8 \text{ dB(A)}$$

EU-samsvarserklæring

MASKINERIDIREKTIV DIREKTIV FOR UTENDØRSSTØY



GWC1815/GWC1820PC løvblåser

Black & Decker erklærer at disse produktene, som er beskrevet under "Tekniske data", er i samsvar med:
2006/42/EC, EN 60335-1:2012 + A11:2014
EN 50636-2-91:2014

2000/14/EF, plentrimmer, L ≤ 50 cm, vedlegg VIII
DEKRA Certification B.V., Utrechtseweg 310,
6802 ED Arnhem, Nederland
ID-nummer for varslet organ: 0344

Nivået for akustisk effekt er i samsvar med 2000/14/EU
(artikkel 12, vedlegg III, L ≤ 50 cm):
L_{max} (målt lydeffekt) 86 dB(A)
usikkerhet (K) = 2,8 dB(A)
L_{max} (garantert lydeffekt) 89 dB(A)

Disse produktene er også i samsvar med direktiv 2014/30/EU,
2011/65/EU.

Hvis du ønsker mer informasjon, kan du kontakte Black & Decker på adressen nedenfor eller se baksiden av bruksanvisningen.

Undertegnede er ansvarlig for utarbeidelsen av den tekniske dokumentasjonen og gir denne erklæringen på vegne av Black & Decker.

R. Laverick
Director of Engineering
Black & Decker Europe, 210 Bath Road, Slough,
Berkshire, SL1 3YD
Storbritannia
10.11.2015

Garanti

Black & Decker er trygg på kvaliteten av produktene sine og tilbyr en 24 måneders garanti fra kjøpsdato. Denne garantierklæringen kommer i tillegg til dine lovbestemte rettigheter og er ikke i konflikt med disse. Garantien er gyldig innen områdene tilhørende medlemslandene i den Europeiske Union (EU) og det Europeiske Frihandelsområdet (EFTA).

For å ta garantien i bruk må kravet være i samsvar med kjøpsbetingelsene fra Black&Decker og du må vise kjøpskvittering til forhandleren eller til et autorisert serviceverksted. Betingelsene for Black&Deckers 2 års garanti og adressen til din nærmeste autoriserte serviceverksted kan du finne på internett under www.2helpU.com, eller ved å kontakte ditt lokale Black & Decker kontor, adressen er angitt i denne bruksanvisningen.

Besøk våre nettsider på www.blackanddecker.no for å registrere ditt nye Black & Decker-produkt og for å få informasjon om nye produkter og spesialtilbud.

Tilsigtet brug

Din BLACK+DECKER GWC1815 og GWC1820PC blæser er designet til opsamling af blade. Dette apparat er kun beregnet til privat brug.

Sikkerhedsinstruktioner

Advarsel! Ved brug af apparater, der strømforsynes fra forsyningsnettet/ledningsfri apparater, er det vigtigt, at grundlæggende sikkerhedsforholdsregler, herunder bl.a. nedenstående, altid følges for at mindske risikoen for brand, elektrisk stød, personskade og materiel skade.

- ◆ Læs hele vejledningen omhyggeligt, før du bruger apparatet.
- ◆ Den tilsigtede anvendelse er beskrevet i denne vejledning. Brugen af ekstraudstyr eller tilbehør eller udførelse af andet arbejde med dette apparat end det, der anbefales i denne vejledning, kan udgøre en risiko for personskade.
- ◆ Opbevar denne vejledning til senere brug.

Brug af apparatet

Vær altid opmærksom ved brugen af apparatet.

- ◆ Bær altid sikkerhedsbriller eller beskyttelsesbriller.
- ◆ Lad aldrig børn, personer med nedsatte fysiske, sensoriske eller mentale evner eller manglende erfaring og viden, eller folk der ikke kender disse instruktioner bruge maskinen, lokale regler kan begrænse operatørens alder.
- ◆ Betjen aldrig maskinen personer, specielt børn eller kæledyr opholder sig i nærheden.
- ◆ Lad aldrig børn eller personer, der ikke har læst denne vejledning, benytte apparatet.

- ◆ Lad ikke børn eller dyr komme i nærheden af arbejdsområdet eller røre ved apparatet eller strømforsyningsledningen.
- ◆ Vær meget opmærksom, når apparatet benyttes i nærheden af børn.
- ◆ Dette apparat må ikke bruges af børn eller svagelige personer uden opsyn.
- ◆ Apparatet må ikke bruges som legetøj.
- ◆ Brug kun apparatet i dagslys eller ved god kunstig belysning.
- ◆ Apparatet må kun bruges på tørre steder. Lad ikke apparatet blive vådt.
- ◆ Undgå at bruge apparatet under dårlige vejforhold, især når der er risiko for lynnedslag.
- ◆ Apparatet må ikke nedsænkes i vand.
- ◆ Kabinettet må ikke åbnes. Der er ingen dele inde i kabinettet, som kan serviceres af brugeren.
- ◆ Brug ikke apparatet i eksplosive omgivelser, f.eks. hvor der er brændbare væsker, gasser eller støv.
- ◆ Apparatet må kun bruges med den medfølgende strømforsyningsenhed.

Restrisici.

Der kan opstå yderligere restrisici under brugen af værktøjet, som ikke kan medtages i vedlagte sikkerhedsadvarsler.

Disse risici kan opstå pga. forkert anvendelse, langvarig brug etc.

Selv ved overholdelse af relevante sikkerhedsforskrifter og anvendelse af sikkerhedsudstyr kan visse restrisici ikke undgås. Disse omfatter:

- ◆ Tilskadekomst forårsaget af berøring af roterende/bevægelige dele.
- ◆ Tilskadekomst forårsaget af udskiftning af dele, klinger eller tilbehør.
- ◆ Tilskadekomst forårsaget af langvarig brug af et værktøj. Husk at holde pause jævnlige ved brug af et værktøj i længere tid.

- ◆ Hørenedsættelse.
- ◆ Sundhedsrisici forårsaget af indånding af støv, der genereres ved brug af værktøjet (eksempel: Arbejde med træ, især, eg, bøg og MDF.)

Efter brug

- ◆ Opbevar apparatet på et tørt, godt ventileret sted uden for børns rækkevidde, når det ikke er i brug.
- ◆ Børn må ikke have adgang til opbevarede apparater.
- ◆ Når apparatet opbevares eller transporteres i et køretøj, skal det anbringes i bagagerummet eller fastgøres for at forhindre bevægelse som følge af pludselige ændringer i hastighed eller retning.

Eftersyn og reparationer

- ◆ Kontroller apparatet for beskadigede eller defekte dele før brug. Se efter knækkede dele og eventuelle andre forhold, der kan påvirke apparatets funktion.
- ◆ Brug ikke apparatet med beskadigede eller defekte dele.
- ◆ Få beskadigede eller defekte dele repareret eller udskiftet på et autoriseret værksted.
- ◆ Forsøg aldrig at fjerne eller udskifte dele ud over dem, der er beskrevet i denne vejledning.

Vibration

De deklarerede vibrationsemissionsværdier angivet i de tekniske data og i overensstemmelseserklæringen er målt i overensstemmelse med en standard testmetode som angivet i EN 50636, og de kan anvendes til at sammenligne et værktøj med et andet.

Den deklarerede vibrationsemissionsværdi kan også anvendes i en foreløbig vurdering af eksponeringen.

Advarsel! Vibrationsemissionsværdien kan under faktisk brug af elværktøjet afvige fra den angivne værdi afhængigt af de måder, hvorpå værktøjet anvendes.

Vibrationsniveauet kan overstige det angivne niveau.

Ved vurdering af vibrationseksponeringen til at fastlægge de sikkerhedsforanstaltninger, der kræves af 2002/44/EC for at beskytte personer der regelmæssigt benytter elværktøj på arbejde, bør en vurdering af vibrationsseksponeringen overvejes, de faktiske anvendelsesbetingelser og den måde, hvorpå værktøjet anvendes, herunder under hensyntagen til alle dele af driftscyklussen som f.eks. de tidspunkter, hvor værktøjet er slukket, og når det kører i tomgang udover udløsningstiden.

Yderligere sikkerhedsvejledninger for blæsere

Den tilsigtede brug er beskrevet i denne vejledning. Brug af ekstraudstyr eller tilbehør eller udførelse af andre opgaver med dette apparat end de, der anbefales i denne vejledning, kan medføre risiko for personskade og/eller materiel skade.

- ◆ Brug altid kraftigt fodtøj og lange bukser til beskyttelse af fødder og ben under brugen af apparatet.
- ◆ Sluk altid produktet, lad blæseren stoppe, og tag batteriet ud når:
- ◆ Når du efterlader produktet uden opsyn.
 - ◆ Når du fjerner en blokering.
 - ◆ Når du kontrollerer, juster, rengør eller arbejder på produktet.

- ◆ Hvis apparatet begynder at vibrere unormalt.
- ◆ Hold ikke ind sugning eller udblæsning i nærheden af øjne eller ører under arbejdet. Blæs aldrig materiale mod omkringstående.
- ◆ Brug ikke produktet i regnvejr, og lad det ikke ligge ude i regnvejr.
- ◆ Passér ikke grusstier eller veje, mens produktet er tændt. Gå, løb ikke.
- ◆ Sæt ikke produktet ned på grus, mens det er slået til.
- ◆ Sørg altid for godt fodfæste, især på skråninger. Stræk dig ikke for langt, og sørg hele tiden for at være i balance.
- ◆ Stik ikke genstande ind i åbningerne. Brug aldrig produktet, hvis åbningerne er blokeret - hold dem fri for hår, fnug, støv og andet, der kan reducere luftstrømmen.

Advarsel! Brug altid produktet som beskrevet i vejledningen. Produktet er designet til brug i opretstående stilling; hvis det bruges på anden måde, kan det forårsage tilskadekomst. Lad aldrig produktet køre, mens det ligger på siden eller står på hovedet.

- ◆ Operatøren eller brugeren er ansvarlig for ulykker eller risici, som andre eller andres ejendom udsættes for.
- ◆ Brug ikke opløsningsmidler eller rensesvæsker til rengøring af produktet. Brug en uskarp skraber til at fjerne græs og snavs.
- ◆ Kontroller jævnligt opsamlingsposen for slid og forringelse.
- ◆ Udskiftningsblæsere kan købes på et Black & Decker-værksted. Brug kun reservedele og tilbehør, der anbefales af Black & Decker.
- ◆ Sørg for, at alle apparatets møtrikker, bolte og skruer er spændt, så arbejdsforholdene er sikre.

Yderligere sikkerhedsvejledninger for batterier og ladere

Batterier

- ◆ Forsøg aldrig at åbne den af en eller anden grund.
- ◆ Batteriet må ikke udsættes for vand.
- ◆ Må ikke opbevares på steder, hvor temperaturen kan overstige 40°C.
- ◆ Oplad kun ved omgivelsestemperaturer på mellem 10° C og 40° C.
- ◆ Oplad kun ved hjælp af den medfølgende lader.
- ◆ Følg vejledningen i afsnittet "Miljøbeskyttelse" ved bortskaffelse af batterier.

Opladere

- ◆ Brug kun din BLACK+DECKER-lader til at oplade batteriet i det værktøj, som den blev leveret sammen med. Andre batterier kan eksplodere og forårsage personskader og materielle skader.
- ◆ Forsøg aldrig at oplade ikke-genopladelige batterier.
- ◆ Udskift straks defekte ledninger.
- ◆ Opladeren må ikke udsættes for vand.
- ◆ Opladeren må ikke åbnes.
- ◆ Opladeren må ikke undersøges.



Opladeren er kun beregnet til indendørs brug.



Læs brugervejledningen, før værktøjet tages i brug.

Elektricitet og sikkerhed



Laderen er dobbelt isoleret. Derfor er en jordledning ikke nødvendig. Kontroller altid, at netspændingen svarer til spændingen på typeskiltet. Forsøg aldrig at erstatte laderenheden med et almindeligt netstik.

- Hvis netledningen beskadiges, skal den udskiftes af producenten eller et autoriseret BLACK+DECKER-værksted, så farlige situationer undgås.

Mærkatet på apparatet

Følgende advarselssymboler findes på apparatet sammen med datokoden:



Læs vejledningen inden brug.



Bær beskyttelses- eller sikkerhedsbriller, når du bruger dette apparat.



Bær egnet høreværn, når du bruger dette apparat.



Fjern altid batteriet fra apparatet, før du udfører nogen form for rengøring eller vedligeholdelse.



Pas på flyvende genstande. Hold omkringstående på afstand af klippeområdet.



Udsæt ikke apparatet for regn eller høj fugtighed.



Direktiv 2000/14/EF garanteret lydeffekt.

Funktioner

Dette apparat leveres med nogle af eller alle de følgende komponenter.

- 1 Tænd/sluk kontakt
- 2 Rør
- 3 Powercommand knap (kun GWC1820PC).

Rørsamling

Bemærk: Sørg for at fejmaskinen er slået fra, og at batteriet er fjernet før fastgørelse eller demontering af fejmaskinerør. Røret skal være fastgjort til huset før brug.

- Du monterer slangen til fejmaskinen ved at sætte røret på linje med fejmaskinehuset som vist i figur A.
- Skub røret ind i fejmaskinehuset, indtil låseskappen (4) falder i hak i låsehullet (5) i røret.

Sådan installeres batteripakken

- Indsæt batteripakken helt ind i værktøjet, indtil du hører et klik som vist i figur B. Kontrollér at batteripakken sidder godt fast og er helt låst i position.

Sådan udtages batteripakken

- Tryk batteriets udløserknap (6) ned, der er placeret bagpå batteripakken og træk batteriet ud af værktøjet som vist i figur C.

Funktion

Advarsel! Brug altid sikkerhedsbriller. Bær en filtermaske hvis arbejdet er støvet. Det anbefales at bruge handsker, lange bukser og kraftigt fodtøj. Hold langt hår og løse beklædningsgenstande på afstand af åbninger og bevægelige dele. DENNE FEJEMASKINE ER KUN TIL HUSHOLDNINGSBRUG.

- Hold fejmaskinen med den ene hånd som vist i figur D og feje fra side til side med dysen flere tommer over jorden. Gå langsomt frem i det du holder den akkumulerede restbunke foran dig.

Tænde og slukke

Advarsel! Hold godt fast i produktet med begge hænder, når du starter det.

Advarsel! Ret ikke afladningsenheden mod dig selv eller omkringstående.

- Du tænder for fejmaskinen ved at skubbe tænd-/slukkontakten fremad som vist i figur E1 og E2.
- Du slukker for fejmaskinen ved at skubbe tænd-/slukkontakten baglæns som vist i figur F1 og F2.

POWERCOMMAND funktion

POWERCOMMAND funktionen (3) er placeret på GWC1820PC værktøjshåndtaget som vist i figur G. Det giver dig mulighed for at optimere værktøjets ydeevne og øge effekten efter behov.

- Tænd for blæseren.
- To activate the "Boost" mode, press and hold the POWERCOMMAND button down. Du aktiverer "Boost" funktionen ved at trykke på og holde POWERCOMMAND knappen nede.
- Du deaktiverer "Boost" funktionen ved at slippe POWERCOMMAND knappen.
- Brug "Normal" funktionen til de fleste fejningsbehov. (Der opnås længere køretid).
- Aktivér "Boost" funktionen for at opsamle tungt eller vådt affald.

Problemløsning

Problem	Mulig årsag	Mulig løsning
Enheden vil ikke starte.	Batteriet er ikke installeret korrekt.	Kontroller installationen af batteriet.
	Batteri ikke opladet.	Kontroller kravene til opladning af batteriet.
Batteriet kan ikke oplades.	Batteri er ikke sat i opladeren.	Indsæt batteriet i opladeren, indtil grønt LED vises.
	Opladeren er ikke tilsluttet.	Slut opladeren til en fungerende stikkontakt. Se "Vigtige bemærkninger om opladning" for flere detaljer.
		Kontroller strømstikket ved at tilslutte en lampe eller et andet apparat.
		Kontrollér for at se om kontakten er tilsluttet til en lyskontakt, som slår strømmen fra, når du slukker for lyset.
	Omgivende lufttemperatur for varm eller for kold.	Flyt opladeren og værktøjet til en omgivende lufttemperatur på over 4,5°C (40 grader F) eller under +40,5°C (105 grader F).

Tekniske data

GWC1815		
Indgangsspænding	V_{ac}	18
Ubelastet hastighed	/min	12500
Vægt	kg	1.7

BL1518		
Batteri		
Spænding	V_{ac}	18
Kapacitet	Ah	1.5
Type	Li-Ion	
Oplader	400mA	

GWC1820PC		
Indgangsspænding	V_{ac}	18
Ubelastet hastighed	/min	10.000 - 12.500
Vægt	kg	1.7

BL2018		
Batteri		
Spænding	V_{ac}	18
Kapacitet	Ah	2
Type	Li-Ion	
Oplader	400mA	

Vægtet vibrationsværdi for hånd/arm i henhold til EN 50636-2-91:

$$= < 2,5 \text{ m/s}, \text{ usikkerhed (K)} = 1,5 \text{ m/s}.$$

$$L_w \text{ (lydtryk)} 72 \text{ dB(A)}$$

$$\text{usikkerhed (K)} = 2,8 \text{ dB(A)}$$

Miljøbeskyttelse



Særskilt bortskaffelse. Produkter og batterier mærket med dette symbol må ikke bortskaffes sammen med normalt husholdningsaffald.

Produkter og batterier indeholder materialer, der kan blive gendannet eller genanvendt og således reducere efterspørgslen efter råvarer. Genbrug venligst elektriske produkter og batterier i henhold til lokale regulativer.

Batterier



Når batterier er udtjente, skal de bortskaffes under passende hensyntagen til miljøet:

- ◆ Aflad batteriet helt, og tag det derefter ud af værktøjet.
- ◆ NiCd-, NiMH- og Li-Ion-batterier kan genbruges. Anbring batteriet/batterierne i en egnet emballage, så polerne ikke kortsluttes. Aflever dem på et autoriseret værksted eller en lokal genbrugsstation.
- ◆ Kortslut ikke batteriterminalerne.
- ◆ Batteriet (batterierne) må ikke kastes på et bål, da dette kan medføre personskaade eller eksplosion.

EF-overensstemmelseserklæring**MASKINDIREKTIV
DIREKTIV OM STØJEMMISSION FRA MASKINER TIL UDEN-
DØRS BRUG****GWC1815/GWC1820PC blæser**

Black & Decker erklærer, at produkterne beskrevet under "Tekniske data" er i overensstemmelse med: 2006/42/EC, EN 60335-1:2012 + A11:2014 EN 50636-2-91:2014

2000/14/EF, plæntrimmer, L ≤ 50 cm, Annex VIII
DEKRA Certification B.V., Utrechtseweg 310,
6802 ED Arnhem, Holland
Underrettet myndighed, id-nr.: 0344

Lydintensitetsniveau i henhold til 2000/14/EC
(artikel 12, bilag III, L ≤ 50 cm):
L_{wa} (målt lydeffekt) 86 dB(A)
usikkerhed (K) = 2,8 dB(A)
L_{wa} (garanteret lydeffekt) 89 dB(A)

Disse produkter er endvidere i overensstemmelse med direktiv 2014/30/EU, 2011/65/EU.

Kontakt Black & Decker på nedenstående adresse eller se vejledningens bagside for at få flere oplysninger.

Undertegnede er ansvarlig for udarbejdelsen af de tekniske data og fremsætter denne erklæring på vegne af Black & Decker.

R. Laverick
Direktør for konstruktioner
Black & Decker Europe, 210 Bath Road, Slough,
Berkshire, SL1 3YD
Storbritannien
10/11/2015

Garanti

Black & Decker er sikker på kvaliteten af sine produkter og giver forbrugerne en garanti på 24 måneder fra købsdatoen. Garantien er et tillæg til forbrugers lovsikrede rettigheder og påvirker ikke disse. Garantien er gyldig inden for medlemsstaterne af Den Europæiske Union og Det Europæiske Frihandelsområde.

Når du gør krav på garantien, skal kravet være i overensstemmelse med Black&Decker vilkår og betingelser, og du skal indsende dokumentation for købet til sælgeren eller til en autoriseret reparatør. Vilkår og betingelser for Black & Decker 2 års garanti og placeringen af dit nærmeste autoriserede serviceværksted kan fås på internettet på www.2helpU.com, eller ved at kontakte dit lokale Black & Decker kontor på den adresse, der er angivet i denne vejledning.

Besøg venligst vores websted www.blackanddecker.co.uk for at registrere dit nye Black & Decker produkt og modtage opdateringer om nye produkter og specielle tilbud.

Käyttötarkoituis

BLACK+DECKER GWC1815 ja GWC1820PC -lehtipuhaltimet on tarkoitettu lehtien pois puhaltamiseen. Laite on tarkoitettu vain yksityiskäyttöön.

Turvallisuusohjeet

Varoitus! Sähkölaitteita / johdottomia laitteita käytettäessä on aina noudatettava asianmukaisia turvaohjeita, jotta tulipalojen, sähköiskujen, henkilövahinkojen ja materiaalivaurioiden riski olisi mahdollisimman pieni.

- ◆ Lue nämä ohjeet huolellisesti ennen laitteen käyttöä.
- ◆ Käyttötarkoituis kuvataan ohjeissa. Muiden kuin ohjeissa suositeltujen lisävarusteiden tai -osien käyttö sekä laitteen käyttö muuhun kuin oppaassa suositeltuun tarkoitukseen voi aiheuttaa henkilövahingon vaaran.
- ◆ Säilytä tämä käyttöohje tulevaa tarvetta varten.

Laitteen käyttö

Ole aina huolellinen käyttäessäsi laitetta.

- ◆ Käytä aina suojalaseja.
- ◆ Älä koskaan anna lasten tai kenenkään, jolla on fyysisiä, aistillisia tai henkisiä puutteita tai puutteellinen kokemus ja tuntemus tai joka ei ole lukenut käyttöohjetta, käyttää laitetta. Paikalliset säädökset saattavat asettaa käyttäjiä koskevia ikärajoituksia.
- ◆ Älä koskaan käytä konetta muiden henkilöiden, erityisesti lasten, tai kotieläimien lähellä.
- ◆ Älä koskaan anna lasten tai kenenkään, joka ei ole lukenut käyttöohjetta, käyttää laitetta.
- ◆ Älä anna lasten tai eläinten tulla lähelle työskentelyaluetta tai koskea laitteeseen tai sähköjohtoon.
- ◆ Jos laitetta käytetään lasten läheisyydessä, on oltava tarkkaavainen.

- ◆ Tätä laitetta ei ole tarkoitettu nuorten tai lihasvoimaltaan heikkojen henkilöiden käyttöön ilman valvontaa.
- ◆ Laitetta ei tule käyttää leluna.
- ◆ Käytä laitetta vain päivänvalossa tai hyvin valaistulla alueella.
- ◆ Soveltuu vain kuivaan käyttöympäristöön. Älä anna laitteen kastua.
- ◆ Vältä käyttämästä laitetta epäsuotuisissa sääolosuhteissa, varsinkin, kun olemassa on salamoinnin vaara.
- ◆ Älä upota laitetta veteen.
- ◆ Älä avaa laitteen koteloa. Sen sisällä ei ole käyttäjän huollettavissa olevia osia.
- ◆ Älä käytä laitetta räjähdysalttiissa ympäristössä, jossa on syttyvää nestettä, kaasua tai pölyä.
- ◆ Laitteen kanssa tulee käyttää ainoastaan sen mukana toimitettua virtalähdetä.

Muut riskit

Myös muut kuin turvavaroituksissa mainitut riskit ovat mahdollisia työkalua käytettäessä. Nämä riskit voivat liittyä muun muassa virheelliseen tai pitkäaikaiseen käyttöön. Tiettyjä jäännösriskejä ei voi välttää, vaikka noudatat kaikkia turvamääräyksiä ja käytät turvalaitteita. Näitä ovat:

- ◆ Pyörivien tai liikkuvien osien koskettamisen aiheuttamat vahingot.
- ◆ Osia, teriä tai lisävarusteita vaihdettaessa aiheutuneet vahingot.
- ◆ Työkalun pitkäaikaisen käytön aiheuttamat vahingot. Varmista, että pidät säännöllisesti taukoja työkalun pitkäaikaisen käytön aikana.
- ◆ Kuulon heikkeneminen.

- Työkalua käytettäessä (esimerkiksi puuta, erityisesti tammea, pyökkiä ja MDF-levyjä käsiteltäessä) syntyneen pölyn sisäänhengityksen aiheuttamat terveysriskit.

Käytön jälkeen

- Kun laitetta ei käytetä, säilytä sitä kuivassa, hyvin tuuletetussa paikassa poissa lasten ulottuvilta.
- Pidä laite lasten ulottumattomissa.
- Kun laitetta säilytetään tai kuljetetaan ajoneuvossa, sijoita se tavaratilaan tai kiinnitä se kunnolla, ettei se matkan aikana pääse liikkumaan.

Tarkastus ja korjaus

- Tarkista ennen laitteen käyttöä, ettei laitteessa ole vahingoittuneita tai viallisia osia. Tarkista osien ja kytkimien kunto sekä muut seikat, jotka voivat vaikuttaa laitteen toimintaan.
- Älä käytä laitetta, jos jokin osa on vahingoittunut tai viallinen.
- Korjauta tai vaihdata vaurioituneet tai vialliset osat valtuutetussa huoltoliikkeessä.
- Älä yritä korjata tai vaihtaa muita kuin tässä käyttöohjeessa erikseen määriteltyjä osia.

Tärinä

Teknisissä tiedoissa ja vaatimustenmukaisuusvakuutuksessa ilmoitetut tärinäpäästöarvot on mitattu standardin EN 50636 testimenetelmän mukaisesti ja niitä voidaan käyttää eri työkalujen vertaamiseen. Ilmoitettua tärinäpäästöarvoa voidaan käyttää myös alustavan altistumisen arvioimiseen.

Varoitus! Todellinen tärinäpäästöarvo työkalun käytön aikana voi poiketa ilmoitetusta arvosta riippuen työkalun käyttötavasta.

Tärinätaaso voi olla ilmoitettua tasoa suurempi.

Kun tärinälle altistumista arvioidaan standardin 2002/44/EY mukaisten turvamenetelmien määrittämiseksi sähkötyökaluja säännöllisesti käyttävien henkilöiden suojaamiseksi, tärinän altistumisen arvioimisessa on huomioitava todelliset käyttöolosuhteet ja laitteen käyttötapa. Tämä koskee kaikkia käyttöön liittyviä tekijöitä, kuten käyttöaikojen, sammutusaikojen ja tyhjäkäyntiaikojen huomioimista.

Lehtipuhaltimien lisäturvaohjeet

Käyttötarkoitus kuvataan ohjeissa. Käytä laitetta ainoastaan sellaiseen työhön, johon se on tarkoitettu, ja käytä vain käyttöohjeessa ja tuotekuvastossa suositeltuja tarvikkeita ja lisälaitteita. Ohjeesta poikkeava käyttö voi aiheuttaa henkilö- ja/tai omaisuusvahinkoja.

- Suojaa jalkateräsi ja sääresi laitteen käytön aikana käyttämällä aina tukevia jalkineita ja pitkiä housuja.
- Sammuta laite, anna puhallinyksikön pysähtyä ja irrota akku, kun:
 - poistut laitteen läheisyydestä.
 - selvität tukosta.
 - tarkastat, säädät, puhdistat tai huollat laitetta.
 - laite alkaa tärinästä epänormaalisti.
- Älä aseta imurin otto- tai poistoaukkoa silmien tai korvien lähelle laitteen ollessa käynnissä. Älä koskaan puhalla roskia sivullisia kohti.
- Älä käytä laitetta sateessa tai jätä sitä ulos sateeseen.
- Älä kulje hiekkapolkujen tai -teiden yli, kun laite on käynnissä. Kävele, älä juokse.
- Älä aseta laitetta maahan hiekan päälle, kun laite on käynnissä.

- ♦ Varmista tukeva jalansija etenkin rinneissä. Älä kurkota ja seiso aina tukevasti tasapainossa.
- ♦ Älä aseta mitään esineitä laitteen aukokoihin. Älä käytä laitetta, jos sen aukot ovat tukkeutuneet. Puhdista aukot hiuksista, nukasta, pölystä ja muista hiukkasista, jotka voivat vähentää ilmavirtausta.

Varoitus! Käytä laitetta aina tämän käyttöoppaan ohjeiden mukaan. Laite on tarkoitettu käytettäväksi pystyasennossa, ja sen käyttäminen muulla tavalla voi aiheuttaa vamman. Älä käynnistä laitetta sen ollessa kyljellään tai ylösalaisin.

- ♦ Laitteen käyttäjä on vastuussa muille henkilöille tai omaisuudelle aiheutuneista onnettomuuksista tai vaaratilanteista.
- ♦ Älä puhdista laitetta liuottimilla tai puhdistusnesteillä. Irrota ruoho ja lika tylpällä kaapimella.
- ♦ Varmista säännöllisesti, ettei keräuspussi ole kulunut tai rikkoutunut.
- ♦ Puhallinyksiköitä myyvät Black & Decker -tuotteiden jälleenmyyjät. Käytä ainoastaan Black & Deckerin suosittelemia varaosia ja lisävarusteita.
- ♦ Turvallisuussyistä tulee varmistaa, että kaikki laitteen mutterit, pultit ja ruuvit on kiristetty.

Akkuja ja laturia koskevat lisäturvaohjeet

Akut

- ♦ Älä koskaan yritä avata mistään syystä.
- ♦ Älä anna akun kastua.
- ♦ Älä säilytä paristoja tiloissa, joissa lämpötila voi nousta yli 40 °C:een.

- ♦ Lataa akku paikassa, jonka lämpötila on vähintään +10 °C ja enintään +40 °C.
- ♦ Lataa akku ainoastaan työkalun mukana toimitetulla laturilla.
- ♦ Noudata akkujen hävittämisessä Ympäristönsuojelu-kohdassa esitettyjä ohjeita.

Laturit

- ♦ Käytä BLACK+DECKER-laturia vain laitteen mukana toimitetun akun lataamiseen. Muut akut voivat räjähtää ja aiheuttaa henkilövahinkoja tai aineellisia vahinkoja.
- ♦ Älä koskaan yritä ladata akkuja, joita ei ole tarkoitettu ladattaviksi.
- ♦ Vaihda vialliset johdot välittömästi ehtiin.
- ♦ Älä altista laturia vedelle.
- ♦ Älä avaa laturia.
- ♦ Älä työnnä mitään laturin sisään.



Laturi on tarkoitettu ainoastaan sisäkäyttöön.



Lue käyttöohjeet huolellisesti ennen laitteen käyttöä.

Sähköturvallisuus



Laturi on kaksoiseristetty, joten erillistä maadoitusta ei tarvita. Tarkista aina, että verkkojännite vastaa arvokilvessä ilmoitettua jännitettä. Älä yritä vaihtaa laturiin tavallista verkkovirran pistoketta.

- ♦ Jos virtajohto vahingoittuu, sen vaihtaminen on turvallisuussyistä jätettävä valmistajan tai valtuutetun BLACK+DECKER-huollon tehtäväksi.

Laitteessa olevat merkinnät

Työkaluun on merkitty päivämääräkoodi sekä seuraavat varoitusmerkit:



Lue käyttöohje ennen laitteen käyttöönottoa.



Käytä suojalaseja, kun käytät laitetta.



Käytä asianmukaisia kuulosuojaimia, kun käytät laitetta.



Irrota akku aina laitteesta ennen sen puhdistusta tai huoltoa.



Varo sinkoilevia esineitä. Pidä sivulliset poissa leikkausalueelta.



Älä käytä laitetta sateessa tai erittäin kosteissa olosuhteissa.



Direktiivin 2000/14/EY mukainen taattu ääniteho.

Yleiskuvaus

Tässä laitteessa on kaikki tai joitakin seuraavista ominaisuuksista.

1. Virtakytkin
2. Putki
3. Tehonsäädin (vain GWC1820PC).

Putken asentaminen

Huomautus: Varmista, että lehtipuhallin on sammutettu ja akku irrotettu ennen puhaltimen putken kiinnittämistä tai poistamista. Putki on kiinnitettävä koteloon ennen laitteen käyttöä.

- ◆ Kiinnitä putki puhaltimeen kohdistamalla putki puhaltimen koteloon kuvan A mukaisesti.
- ◆ Paina putki puhaltimen koteloon, kunnes lukituspainike (4) kytkeytyy putken lukitusreikään (5).

Akun asentaminen

- ◆ Aseta akku työkaluun, kunnes kuulet napsahduksen kuvan B mukaisesti. Varmista, että akku on hyvin paikoillaan ja lukittu paikoilleen.

Akun poistaminen

- ◆ Paina akun vapautuspainiketta (6) akun takaosassa ja vedä akku irti kuvan C mukaisesti.

Käyttö

Varoitus! Käytä aina suojalaseja. Käytä hengityssuojainta, jos käytön aikana esiintyy pölyä. Suojakäsineiden, pitkien housujen ja tukevien jalkineiden käyttö on suositeltavaa. Älä pidä pitkiä hiuksia tai väljiä vaatteita aukkojen ja liikkuvien osien lähellä. **LEHTIPUHALLIN ON TARKOITETTU AINOASTAAN KOTIKÄYTTÖÖN.**

- ◆ Pidä lehtipuhallinta yhdellä kädellä kuvan D mukaisesti ja puhalla sivulta sivulle suulakkeen ollessa muutaman senttimetrin korkeudella maasta. Etene hitaasti pitäen rosakasaa edessäsi.

Käynnistäminen ja pysäyttäminen

Varoitus! Pidä laitteesta kiinni tukevasti molemmiin käsiin käynnistäessäsi laitteen.

Varoitus! Älä suuntaa puhallinta itseesi tai muihin henkilöihin.

- ◆ Käynnistä lehtipuhallin liu'uttamalla virtakytkintä eteenpäin kuvan E1 ja E2 mukaisesti.
- ◆ Sammuta lehtipuhallin liu'uttamalla virtakytkintä taaksepäin kuvan F1 ja F2 mukaisesti.

POWERCOMMAND-toiminto

POWERCOMMAND-toiminnon (3) säädin sijaitsee GWC1820PC-laitteen kahvassa kuvan G mukaisesti. Sen avulla voit säätää työkalun tehon sopivaksi ja lisätä tehoa tarvittaessa.

- ◆ Kytke lehtipuhallin päälle.
- ◆ Kytke "Boost"-toiminto päälle painamalla ja pitämällä POWERCOMMAND-painiketta alhaalla.
- ◆ Kytke "Boost"-toiminto pois päältä vapauttamalla POWERCOMMAND-painike.
- ◆ Käytä "Normaali"-toimintoa useimpiin puhdistustarpeisiin. (Akku kestää pidempään.)
- ◆ Kytke "Boost"-toiminto tarvittaessa päälle raskaiden tai märkien roskien puhaltamiseksi.

Vianetsintä

Ongelma	Mahdollinen syy	Mahdollinen ratkaisu
Laitte ei käynnisty.	Akkua ei ole asennettu oikein.	Tarkista akun asennus.
	Akkua ei ole latautunut.	Tarkista akun latausvaatimukset.
Akkua ei lataudu.	Akkua ei ole asetettu laturiin.	Aseta akku laturiin, kunnes vihreä LED-valo syttyy.
	Laturia ei ole kytketty pistorasiaan.	Kytke laturi pistorasiaan. Katso lisätietoa osiosta "Tärkeitä huomautuksia lataamiseen".
		Tarkista pistorasian sähkövirta kytkemällä siihen lamppu tai jokin muu laite.
		Tarkista valojen sammuttamisen yhteydessä virran katkaisevaa valokytkintä liitetty pistorasiaan.
	Ympäristölämpötila on liian korkea tai liian alhainen.	Siirrä laturi ja työkalu ympäristöön, jonka lämpötila on yli 4,5 °C (40 °F) ja alle +40,5 °C (105 °F).

Tekniset tiedot

GWC1815		
Tulojännite	V_{ac}	18
Kuormittamaton nopeus	/min	12500
Paino	kg	1,7

BL1518		
Jännite	V_{ac}	18
Teho	Ah	1,5
Tyyppi	Li-Ion	
Laturi	400mA	

GWC1820PC		
Tulojännite	V_{ac}	18
Kuormittamaton nopeus	/min	10 000 - 12 500
Paino	kg	1,7

BL2018		
Jännite	V_{ac}	18
Teho	Ah	2
Tyyppi	Li-Ion	
Laturi	400mA	

Ympäristönsuojelu



Toimita tämä laite erilliskeräykseen. Tällä symbolilla merkityjä tuotteita ja akkuja ei saa hävittää tavallisen kotitalousjätteen mukana.

Tuotteissa ja akuissa on materiaaleja, jotka voidaan ottaa talteen tai kierrättää uudelleen käyttöä varten. Kierrätä sähkölaitteet ja akut paikallisten määräysten mukaan.

Akut



Hävitä loppuun kuluneet akut ympäristöystävällisesti.

- ◆ Käytä akku täysin loppuun ja irrota se sitten työkalusta.
- ◆ NiCd-, NiMH- ja Li-Ion-akut ovat kierrätettäviä. Pakkaa akut niin, että navat eivät aiheuta oikosulkuja. Voit viedä akut mihin tahansa valtuutettuun huoltoiliikikkeeseen tai paikalliselle jätehuoltoasemalle kierrätystä varten.
- ◆ Käsittele akkua niin, että navat eivät joudu oikosulkuun.
- ◆ Älä yritä polttaa akkua, sillä se voi aiheuttaa henkilövahinkoja tai räjähtää.

Käteen/käsivarteen kohdistuva painotettu värinäarvo standardin

EN 50636-2-91 mukaisesti:

= < 2,5 m/s, epävarmuus (K) = 1,5 m/s.

L_w (äänenpaine) 72 dB(A)

epävarmuus (K) = 2,8 dB(A)

EY-vaatimustenmukaisuusvakuutus**KONEDIREKTIIVI
ULKOILMAMELUDIREKTIIVI****GWC1815/GWC1820PC-lehtipuhallin**

Black & Decker ilmoittaa, että tuotteet, jotka on kuvattu kohdassa Tekniset tiedot, täyttävät seuraavien direktiivien vaatimukset:

2006/42/EY, EN 60335-1:2012 + A11:2014
EN 50636-2-91:2014

2000/14/EY, Nurmikkotrimmeri, L ≤ 50 cm, Liite VIII
DEKRA Certification B.V., Utrechtseweg 310,
6802 ED Arnhem, Alankomaat
Ilmoitetun laitoksen tunnusnumero: 0344

Ääniteho standardin 2000/14/EY
(artikla 12, liite III, L ≤ 50 cm) mukaisesti:
 L_{m} (mitattu ääniteho) 86 dB(A)
epävarmuus (K) = 2,8 dB(A)
 L_{m} (taattu ääniteho) 89 dB(A)

Nämä tuotteet täyttävät myös direktiivien 2014/30/EU,
2011/65/EU vaatimukset.

Lisätietoja saa ottamalla yhteyden Black & Deckeriin seuraavassa osoitteessa. Tiedot ovat myös käyttöohjeen takakan-
nessa.

Allekirjoittanut vastaa teknisten tietojen kokoamisesta tehden tämän ilmoituksen Black & Deckerin puolesta.

R. Laverick
Teknisen osaston johtaja
Black & Decker Europe, 210 Bath Road, Slough,
Berkshire, SL1 3YD
Iso-Britannia
10.11.2015

Takuu

Black & Decker on vakuuttanut tuotteidensa korkeasta laadusta ja tarjoaa kuluttajille 24 kuukauden takuun, joka astuu voimaan ostopäivänä. Takuu on lisäksi kuluttajan laillisiin oikeuksiin eikä vaikuta niihin. Tämä takuu on voimassa kaikissa EU- ja ETA-maissa.

Edellytyksenä takuun saamiselle on, että vaade täyttää Black & Deckerin ehdot ja että ostaja toimittaa ostosoitteen jälleenmyyjälle tai valtuutetulle huoltoilikeelle. Black & Deckerin kahden vuoden takuun ehdot ja lähemmän valtuutetun korjauspalvelun yhteystiedot ovat saatavilla osoitteessa www.2helpU.com tai ottamalla yhteyttä paikalliseen Black & Deckerin toimipisteeseen tässä ohjekirjassa ilmoitettuihin osoitteisiin.

Käy verkkosivuiltamme osoitteessa www.blackanddecker.fi ja rekisteröi uusi Black & Decker -tuotteesi saadaksesi tietoa uusista tuotteista ja erikoistarjouksista.

Προβλεπόμενη χρήση

Οι φυσητήρες BLACK+DECKER GWC1815 και GWC1820PC έχουν σχεδιαστεί για την απομάκρυνση φύλλων. Αυτή η συσκευή προορίζεται μόνο για ερασιτεχνική χρήση.

Οδηγίες ασφαλείας

Προειδοποίηση! Κατά τη χρήση συσκευών που τροφοδοτούνται με ηλεκτρικό ρεύμα/μπαταρία, θα πρέπει να τηρούνται πάντα οι βασικές προφυλάξεις ασφαλείας, συμπεριλαμβανομένων των παρακάτω, για τον περιορισμό του κινδύνου πυρκαγιάς, ηλεκτροπληξίας, σωματικών βλαβών και υλικών ζημιών.

- ♦ Διαβάστε προσεκτικά όλο το περιεχόμενο αυτού του εγχειριδίου, πριν χρησιμοποιήσετε τη συσκευή.
- ♦ Η προβλεπόμενη χρήση περιγράφεται σε αυτό το εγχειρίδιο. Τόσο η χρήση εξαρτημάτων ή προσαρτημάτων όσο και η πραγματοποίηση οποιασδήποτε εργασίας με αυτή τη συσκευή που δεν συνιστάται σε αυτό το εγχειρίδιο οδηγιών, μπορεί να εγκυμονεί κίνδυνο σωματικών βλαβών.
- ♦ Φυλάξτε αυτό το εγχειρίδιο για μελλοντική αναφορά.

Χρήση της συσκευής σας

Προσέχετε πάντα όταν χρησιμοποιείτε τη συσκευή.

- ♦ Φοράτε πάντα γυαλιά ασφαλείας ή ειδικά προστατευτικά γυαλιά.
- ♦ Ποτέ μην επιτρέπετε σε παιδιά, άτομα με μειωμένες σωματικές, αισθητηριακές ή διανοητικές ικανότητες ή με έλλειψη εμπειρίας και γνώσεων ή σε άτομα μη εξοικειωμένα με αυτές τις οδηγίες να χρησιμοποιούν το μηχάνημα - τοπικοί κανονισμοί μπορεί να θέτουν όρια ως προς την ηλικία του χειριστή.

- ♦ Ποτέ μη χρησιμοποιείτε το μηχάνημα όταν είναι κοντά άτομα, ιδιαίτερα παιδιά, ή κατοικίδια.
- ♦ Μην αφήσετε ποτέ να χρησιμοποιήσουν τη συσκευή μικρά παιδιά ή άτομα που δεν είναι εξοικειωμένα με τις οδηγίες.
- ♦ Μην αφήνετε παιδιά ή ζώα να πλησιάζουν στο χώρο εργασίας ή να αγγίζουν τη συσκευή ή το καλώδιο ρεύματος.
- ♦ Όταν η συσκευή χρησιμοποιείται κοντά σε παιδιά, είναι απαραίτητη η στενή επίβλεψη.
- ♦ Αυτή η συσκευή δεν προορίζεται για χρήση από νεαρά ή αδύναμα άτομα χωρίς επίβλεψη.
- ♦ Η συσκευή αυτή δεν πρέπει να χρησιμοποιείται ως παιχνίδι.
- ♦ Χρησιμοποιείτε τη συσκευή μόνο στο φως της ημέρας ή με καλό τεχνητό φωτισμό.
- ♦ Να χρησιμοποιείται μόνο σε θέσεις χωρίς υγρασία. Μην αφήσετε να βραχεί η συσκευή.
- ♦ Αποφεύγετε να χρησιμοποιείτε τη συσκευή σε κακές καιρικές συνθήκες, ειδικά όταν υπάρχει κίνδυνος ηλεκτρικών φαινομένων.
- ♦ Μην βυθίσετε τη συσκευή σε νερό.
- ♦ Μην ανοίξετε το περίβλημα του σώματος της συσκευής. Δεν υπάρχουν εξαρτήματα στο εσωτερικό που να επιδέχονται επισκευή από το χρήστη.
- ♦ Μην χρησιμοποιείτε τη συσκευή σε περιβάλλον όπου υπάρχει κίνδυνος έκρηξης, π.χ. με παρουσία εύφλεκτων υγρών, αερίων ή σκόνης.
- ♦ Η συσκευή πρέπει να χρησιμοποιείται μόνο με τη μονάδα τροφοδοσίας που παρέχεται με τη συσκευή.

Υπολειπόμενοι κίνδυνοι.

Κατά τη χρήση του εργαλείου μπορεί να δημιουργηθούν πρόσθετοι υπολειπόμενοι κίνδυνοι, οι οποίοι ενδέχεται να μη συμπεριλαμβάνονται στις προειδοποιήσεις ασφαλείας που εσωκλείονται. Αυτοί οι κίνδυνοι μπορεί να προκληθούν από κακή χρήση, παρατεταμένη χρήση κλπ.

Παρά την εφαρμογή των σχετικών κανονισμών ασφαλείας και τη χρήση διατάξεων ασφαλείας, ορισμένοι υπολειπόμενοι κίνδυνοι δεν είναι δυνατό να αποφευχθούν. Σ' αυτούς περιλαμβάνονται:

- ♦ Τραυματισμοί από επαφή με περιστεφόμενα/κινούμενα μέρη.
- ♦ Τραυματισμοί κατά την αλλαγή οποιωνδήποτε εξαρτημάτων, λεπίδων ή αξεσουάρ.
- ♦ Σωματικές βλάβες από παρατεταμένη χρήση του εργαλείου. Όταν χρησιμοποιείτε οποιοδήποτε εργαλείο για παρατεταμένα χρονικά διαστήματα, μην παραλείπετε με κανένα τρόπο να κάνετε τακτικά διαλείμματα.
- ♦ Βλάβη της ακοής.
- ♦ Κίνδυνοι στην υγεία που προκαλούνται από την εισπνοή σκόνης κατά τη χρήση του εργαλείου (παραδείγμα:- κατά την εργασία με ξύλο, ειδικά δρυ, οξιά και MDF.)

Μετά τη χρήση

- ♦ Όταν δεν χρησιμοποιείται, η συσκευή πρέπει να φυλάσσεται σε στεγνό, καλά αεριζόμενο χώρο, μακριά από παιδιά.
- ♦ Τα παιδιά δεν πρέπει να έχουν πρόσβαση σε αποθηκευμένες συσκευές.

- ♦ Όταν η συσκευή αποθηκεύεται ή μεταφέρεται μέσα σε όχημα πρέπει να τοποθετείται στο χώρο αποσκευών ή να στερεώνεται ώστε να μη μετακινείται σε περίπτωση απότομων μεταβολών της ταχύτητας ή της κατεύθυνσης του οχήματος.

Έλεγχος και επισκευή

- ♦ Πριν από τη χρήση, ελέγξτε τη συσκευή για εξαρτήματα που παρουσιάζουν ζημιές ή ελαττώματα. Ελέγξτε αν υπάρχουν σπασμένα εξαρτήματα και οποιαδήποτε άλλα προβλήματα που θα μπορούσαν να επηρεάσουν τη λειτουργία της.
- ♦ Μη χρησιμοποιήσετε τη συσκευή αν οποιοδήποτε εξάρτημα παρουσιάζει ζημιά ή ελάττωμα.
- ♦ Φροντίστε να γίνει η επισκευή ή η αντικατάσταση των τυχόν ελαττωματικών εξαρτημάτων από εξουσιοδοτημένο κέντρο επισκευών.
- ♦ Μην επιχειρήσετε ποτέ να αφαιρέσετε ή να αντικαταστήσετε οποιοδήποτε εξάρτημα, εκτός από αυτά που καθορίζονται στο παρόν εγχειρίδιο.

Κραδασμοί

Οι δηλωθείσες τιμές εκπομπής κραδασμών που αναφέρονται στα τεχνικά δεδομένα και στη δήλωση συμμόρφωσης έχουν μετρηθεί σύμφωνα με τυποποιημένη μέθοδο ελέγχου κατά EN 50636 και μπορούν να χρησιμοποιούνται για σύγκριση ενός εργαλείου με άλλο. Η δηλωθείσα τιμή εκπομπής κραδασμών μπορεί επίσης να χρησιμοποιηθεί σε προκαταρκτική αξιολόγηση της έκθεσης.

Προειδοποίηση! Η τιμή εκπομπής κραδασμών κατά τη χρήση του ηλεκτρικού εργαλείου στην πράξη διαφέρει από τη δηλωθείσα τιμή, ανάλογα με τους τρόπους χρήσης του εργαλείου.

Το επίπεδο κραδασμών μπορεί να αυξηθεί πάνω από το επίπεδο που έχει δηλωθεί.

Κατά τον προσδιορισμό της έκθεσης σε κραδασμούς για καθορισμό απαιτούμενων από την Οδηγία 2002/44/ΕΚ μέτρων προστασίας ατόμων που χρησιμοποιούν τακτικά ηλεκτρικά εργαλεία στην εργασία τους, μια εκτίμηση της έκθεσης σε κραδασμούς θα πρέπει να λαμβάνει υπόψη τις πραγματικές συνθήκες και τον τρόπο χρήσης του εργαλείου, δηλαδή στην εκτίμηση πρέπει να ληφθούν υπόψη και όλα τα επιμέρους τμήματα του κύκλου εργασίας, όπως οι χρόνοι που τέθηκε το εργαλείο εκτός λειτουργίας, όταν το εργαλείο λειτουργεί χωρίς φορτίο, επιπλέον του χρόνου πίεσης της σκανδάλης.

Πρόσθετες οδηγίες ασφαλείας για φυσητήρες

Η προβλεπόμενη χρήση περιγράφεται σε αυτό το εγχειρίδιο. Η χρήση οποιουδήποτε αξεσουάρ ή προσαρτήματος ή η εκτέλεση με αυτή τη συσκευή οποιασδήποτε άλλης εργασίας πέρα από αυτές που συνιστώνται στο παρόν εγχειρίδιο οδηγιών ενδέχεται να εγκυμονεί κίνδυνο τραυματισμού ή/και υλικών ζημιών.

- ♦ Για την προστασία των ποδιών σας κατά τη χρήση της συσκευής, να φοράτε πάντα υποδήματα βαρέως τύπου και μακρύ παντελόνι.

- ♦ Πάντα να απενεργοποιείτε τη συσκευή, να αφήνετε τον ανεμιστήρα να σταματήσει και να αφαιρείτε την μπαταρία όταν:
- ♦ Αφήνετε το προϊόν χωρίς επιτήρηση.
 - ♦ Καθαρίζετε σε περίπτωση απόφραξης.
 - ♦ Ελέγχετε, ρυθμίζετε, καθαρίζετε ή εργάζεστε στο προϊόν.
 - ♦ Αν η συσκευή αρχίσει να δονείται με μη φυσιολογικό τρόπο.
- ♦ Μην τοποθετείτε το στόμιο εισαγωγής ή εξαγωγής του σωλήνα αναρρόφησης κοντά στα μάτια ή τα αυτιά κάποιου ατόμου κατά τη λειτουργία της συσκευής. Ποτέ μη φυσάτε τα άχρηστα υλικά προς την κατεύθυνση παρευρισκόμενων ατόμων.
- ♦ Μη χρησιμοποιείτε τη συσκευή στη βροχή και μην την αφήνετε σε εξωτερικό χώρο ενώ βρέχει.
- ♦ Μη διασχίζετε μονοπάτια ή δρόμους με χαλίκι με τη συσκευή σας ενεργοποιημένη. Βαδίζετε αργά και σε καμία περίπτωση, μην τρέχετε.
- ♦ Μην τοποθετείτε τη συσκευή σας σε έδαφος με χαλίκι όταν είναι ενεργοποιημένη.
- ♦ Προσέχετε πάντα τη στήριξη στα πόδια σας, ιδιαίτερα σε εδάφη με κλίση. Μην τεντώνεστε για να εργαστείτε σε σημεία που δεν φτάνετε καλά και να διατηρείτε συνεχώς την ισορροπία σας.
- ♦ Μην τοποθετείτε αντικείμενα μέσα στα ανοίγματα της συσκευής. Σε καμία περίπτωση μη χρησιμοποιήσετε τη συσκευή εάν τα ανοίγματά της είναι φραγμένα - φροντίστε τα ανοίγματα να παραμένουν καθαρά από τρίχες, χνούδια, σκόνη ή οτιδήποτε άλλο μπορεί να μειώσει τη ροή του αέρα.

Προειδοποίηση! Πάντα να χρησιμοποιείτε τη συσκευή σας με τον τρόπο που υποδεικνύεται στο παρόν εγχειρίδιο. Η συσκευή σας είναι σχεδιασμένη για χρήση σε όρθια θέση και εάν χρησιμοποιηθεί με οποιοδήποτε άλλο τρόπο, μπορεί να προκαλέσει τραυματισμό. Μη χρησιμοποιείτε τη συσκευή σας στηριγμένη σε μια από τις πλευρές της ή τοποθετημένη ανάποδα.

- Ο χειριστής ή χρήστης είναι πάντα υπεύθυνος για ατυχήματα ή κινδύνους που προκαλούνται εις βάρος τρίτων ή της ιδιοκτησίας αυτών.
- Μη χρησιμοποιείτε διαλύτες ή καθαριστικά υγρά για τον καθαρισμό του προϊόντος. Χρησιμοποιείτε μια μη αιχμηρή ξύστρα για να αφαιρέσετε το γρασίδι και το χώμα.
- Ελέγχετε τακτικά τη σακούλα περισυλλογής για τυχόν φθορά ή ζημιές.
- Ανταλλακτικοί ανεμιστήρες είναι διαθέσιμοι από αντιπρόσωπο σέρβις της Black & Decker. Χρησιμοποιείτε ανταλλακτικά και αξεσουάρ που συνιστά η Black & Decker.
- Διατηρείτε καλά σφιγμένα όλα τα παξιμάδια, τα μπουλόνια και τις βίδες στη συσκευή προκειμένου να εξασφαλίζεται η ασφαλής κατάσταση λειτουργίας.

Πρόσθετες οδηγίες ασφαλείας για μπαταρίες και φορτιστές

Μπαταρίες

- Ποτέ μην επιχειρήσετε να τις ανοίξετε, για κανένα λόγο.
- Μην εκθέτετε την μπαταρία σε νερό.
- Μην αποθηκεύετε σε θέσεις όπου η θερμοκρασία ενδέχεται να υπερβεί τους 40 °C.

- Η φόρτιση πρέπει να γίνεται μόνο σε θερμοκρασίες περιβάλλοντος μεταξύ 10 °C και 40 °C.
- Η φόρτιση πρέπει να γίνεται μόνο με το φορτιστή που παρέχεται μαζί με το εργαλείο.
- Κατά την απόρριψη των μπαταριών, να ακολουθείτε τις οδηγίες που παρέχονται στην ενότητα «Προστασία του περιβάλλοντος».

Φορτιστές

- Ο φορτιστής BLACK+DECKER πρέπει να χρησιμοποιείται αποκλειστικά και μόνο για τη φόρτιση της μπαταρίας στο εργαλείο που συνόδευε. Άλλες μπαταρίες ενδέχεται να σκάσουν, προκαλώντας τραυματισμό ατόμων και ζημιές.
- Μην επιχειρήσετε ποτέ να φορτίσετε μη επαναφορτιζόμενες μπαταρίες.
- Να φροντίζετε να αντικαθίστανται άμεσα τα καλώδια που έχουν υποστεί ζημιά.
- Μην εκθέτετε το φορτιστή σε νερό.
- Μην ανοίξετε το φορτιστή.
- Μην εισάγετε οποιαδήποτε αντικείμενα μέσα στο φορτιστή.



Ο φορτιστής προορίζεται για χρήση μόνο σε εσωτερικούς χώρους.



Διαβάστε το εγχειρίδιο οδηγιών πριν τη χρήση.

Ασφαλής χρήση ηλεκτρικού ρεύματος



Ο φορτιστής σας φέρει διπλή μόνωση. Επομένως, δεν απαιτείται αγωγός γείωσης. Ελέγχετε πάντα ότι η τάση ρεύματος δικτύου συμφωνεί με αυτήν που αναγράφεται στην πινακίδα τεχνικών χαρακτηριστικών. Ποτέ μην επιχειρήσετε να αντικαταστήσετε το φορτιστή με κανονικό ριζ ρεύματος δικτύου.

- ♦ Αν το καλώδιο ρεύματος έχει υποστεί ζημιά, η αντικατάστασή του πρέπει να γίνει από τον κατασκευαστή ή από ένα εξουσιοδοτημένο κέντρο επισκευών της BLACK+DECKER, ώστε να μην αποτελέσει κίνδυνο.

Ετικέτες στη συσκευή

Η συσκευή φέρει τα παρακάτω προειδοποιητικά σύμβολα μαζί με τον κωδικό ημερομηνίας:



Διαβάστε το εγχειρίδιο οδηγιών πριν από τη λειτουργία.



Φοράτε γυαλιά ασφαλείας ή ειδικά προστατευτικά γυαλιά όταν χρησιμοποιείτε αυτή τη συσκευή.



Φοράτε ωτασπίδες κατά το χειρισμό του εργαλείου.



Πάντα να αφαιρείτε την μπαταρία από τη συσκευή πριν από οποιαδήποτε εργασία καθαρισμού ή συντήρησης.



Προσέχετε για τυχόν αντικείμενα που εκσφενδονίζονται. Μην αφήνετε να πλησιάσουν άλλα άτομα στην περιοχή κοπής.



Μην εκθέτετε τη συσκευή σε βροχή ή υψηλά επίπεδα υγρασίας.



Εγγυημένη ηχητική ισχύς σύμφωνα με την Οδηγία 2000/14/ΕΚ.

Χαρακτηριστικά

Στη συσκευή περιλαμβάνονται ορισμένα ή όλα τα παρακάτω στοιχεία.

1. Διακόπτης Ενεργοποίησης/ Απενεργοποίησης (on/off)
2. Σωλήνας
3. Κουμπί POWERCOMMAND (εντολής αυξημένης ισχύος) (μόνο στο GWC1820PC).

Συγκρότημα σωλήνα

Σημείωση: Βεβαιωθείτε ότι ο φυσητήρας είναι απενεργοποιημένος και έχει αφαιρεθεί η μπαταρία, πριν συνδέσετε ή αφαιρέσετε το σωλήνα του φυσητήρα. Ο σωλήνας πρέπει να συνδεθεί στο περίβλημα πριν από τη χρήση.

- ♦ Για να συνδέσετε το σωλήνα στο φυσητήρα, ευθυγραμμίστε το σωλήνα με το περίβλημα του φυσητήρα, όπως δείχνει η Εικόνα Α.
- ♦ Σπρώξτε το σωλήνα προς τα μέσα στο περίβλημα του φυσητήρα, έως ότου το κουμπί ασφάλισης (4) συμπλεχτεί στην οπή ασφάλισης (5) στο σωλήνα.

Για την εγκατάσταση του πακέτου μπαταρίας

- ♦ Εισάγετε το πακέτο μπαταρίας με σταθερή πίεση μέσα στο εργαλείο έως ακούσετε ήχο ασφάλισης, όπως δείχνει η Εικόνα Β. Βεβαιωθείτε ότι το πακέτο μπαταρίας έχει εδράσει πλήρως και έχει ασφαλίσει καλά στη θέση του.

Για να αφαιρέσετε το πακέτο μπαταρίας

- ♦ Πατήστε το κουμπί απελευθέρωσης της μπαταρίας (6) στο πίσω μέρος του πακέτου μπαταρίας και τραβήξτε το πακέτο μπαταρίας έξω από το συγκρότημα εργαλείου, όπως δείχνει η Εικόνα C.

Λειτουργία

Προειδοποίηση! Να φοράτε πάντα γυαλιά ασφαλείας.

Φοράτε μάσκα με φίλτρο αν κατά την εργασία παράγεται σκόνη. Συνιστάται η χρήση γαντιών, μακριών παντελονιών και προστατευτικών υποδημάτων. Κρατάτε τα μακριά μαλλιά και τα χαλαρά ρούχα μακριά από ανοίγματα και κινούμενα μέρη. ΑΥΤΟΣ Ο ΦΥΣΗΤΗΡΑΣ ΠΡΟΟΡΙΖΕΤΑΙ ΜΟΝΟ ΓΙΑ ΟΙΚΙΑΚΗ ΧΡΗΣΗ.

- ♦ Κρατήστε το φυσητήρα με το ένα χέρι όπως δείχνει η Εικόνα D και καθαρίστε από τη μία πλευρά ως την άλλη και αντίστροφα διατηρώντας το ακροστόμιο αρκετές ίντσες πάνω από το έδαφος. Προχωράτε αργά διατηρώντας το σωρό των συσσωρευμένων υπολειμμάτων μπροστά σας.

Ενεργοποίηση και απενεργοποίηση

Προειδοποίηση! Κρατήστε γερά και σταθερά τη συσκευή σας, και με τα δύο χέρια, κατά την ενεργοποίησή της.

Προειδοποίηση! Μην κατευθύνετε την έξοδο της μονάδας προς τον εαυτό σας ή παρευρισκόμενους.

- ♦ Για να ενεργοποιήσετε το φυσητήρα, μετακινήστε το διακόπτη on/off προς τα εμπρός όπως δείχνει η Εικόνα E1 και E2.
- ♦ Για να απενεργοποιήσετε το φυσητήρα, μετακινήστε το διακόπτη on/off προς τα πίσω όπως δείχνει η Εικόνα F1 και F2.

Λειτουργία POWERCOMMAND

Η λειτουργία POWERCOMMAND (3) βρίσκεται στη λαβή του εργαλείου GWC1820PC όπως δείχνει η Εικόνα G. Σας επιτρέπει να βελτιστοποιείτε την απόδοση των εργαλείων και να ενισχύετε την απόδοση όπως χρειάζεται.

- ◆ Ενεργοποιήστε το φυσητήρα.
- ◆ Για να ενεργοποιήσετε την «Ενισχυμένη» λειτουργία, πατήστε και κρατήστε πατημένο το κουμπί POWERCOMMAND.
- ◆ Για να απενεργοποιήσετε την «Ενισχυμένη» λειτουργία, ελευθερώστε το κουμπί POWERCOMMAND.
- ◆ Χρησιμοποιείτε την «Κανονική» λειτουργία για τις περισσότερες χρήσεις καθαρισμού. (Θα επιτύχετε μεγαλύτερο χρόνο λειτουργίας.)
- ◆ Ενεργοποιείτε την «Ενισχυμένη» λειτουργία όταν χρειάζεται να καθαρίσετε βαριά ή βρεγμένα υπολείμματα.

Αντιμετώπιση προβλημάτων

ΠΡΟΒΛΗΜΑ	Πιθανή αιτία	Πιθανή λύση
Η μονάδα δεν τίθεται σε λειτουργία.	Η μπαταρία δεν έχει εγκατασταθεί σωστά.	Ελέγξτε την εγκατάσταση της μπαταρίας.
	Η μπαταρία δεν είναι φορτισμένη.	Ελέγξτε τις απαιτήσεις φόρτισης της μπαταρίας.
Το πακέτο μπαταρίας δεν φορτίζεται.	Η μπαταρία δεν έχει εισαχθεί στο φορτιστή.	Εισάγετε την μπαταρία στο φορτιστή έως ότου ανάψει η πράσινη LED.
	Ο φορτιστής δεν έχει συνδεθεί.	Συνδέστε το φορτιστή σε λειτουργική πρίζα. Ανατρέξτε στις «Σημαντικές παρατηρήσεις για τη φόρτιση», για περισσότερες λεπτομέρειες.
		Ελέγξτε το ρεύμα συνδέοντας μία λάμπα ή άλλη ηλεκτρική συσκευή.
		Ελέγξτε μήπως η πρίζα συνδέεται σε διακόπτη φώτων που διακόπτει το ρεύμα όταν σβήνεται το φως.
	Η θερμοκρασία αέρα περιβάλλοντος είναι πολύ θερμή ή πολύ ψυχρή.	Μετακινήστε το φορτιστή και την μπαταρία σε θέση με θερμοκρασία αέρα περιβάλλοντος πάνω από 4,5 °C (40 °F) ή κάτω από 40,5 °C (105 °F).

Τα προϊόντα και οι μπαταρίες περιέχουν υλικά που μπορούν να ανακτηθούν ή να ανακυκλωθούν ώστε να μειωθούν οι ανάγκες για πρώτες ύλες. Παρακαλούμε να ανακυκλώνετε τα ηλεκτρικά προϊόντα και τις μπαταρίες σύμφωνα με τους τοπικούς κανονισμούς.

Μπαταρίες



Στο τέλος της ωφέλιμης διάρκειας ζωής τους, απορρίψτε τις μπαταρίες με τρόπο που σέβεται το περιβάλλον:

- ◆ Διατηρήστε το εργαλείο σε λειτουργία μέχρι να αδειάσει εντελώς η μπαταρία και στη συνέχεια αφαιρέστε την από το εργαλείο.
- ◆ Οι μπαταρίες NiCd, NiMH και Li-Ion είναι ανακυκλώσιμες. Τοποθετήστε την(τις) μπαταρία(ες) σε κατάλληλη συσκευασία για να εξασφαλίσετε ότι οι ακροδέκτες δεν μπορούν να βραχυκυκλώσουν. Παραδώστε τις σε οποιοδήποτε εξουσιοδοτημένο αντιπρόσωπο επισκευών ή σε τοπικό σταθμό ανακύκλωσης.
- ◆ Μη βραχυκυκλώνετε τους ακροδέκτες της μπαταρίας.
- ◆ Μην απορρίπτετε την(τις) μπαταρία(ες) στη φωτιά, επειδή μπορεί να προκληθεί κίνδυνος προσωπικού τραυματισμού ή έκρηξης.

Τεχνικά χαρακτηριστικά

GWC1815		
Τάση εισόδου	V _{ac}	18
Ταχύτητα χωρίς φορτίο	/min	12500
Βάρος	kg	1,7

Μπαταρία BL1518		
Τάση	V _{oc}	18
Χωρητικότητα	Ah	1,5
Τύπος	Li-Ion	
Φορτιστής	400mA	

GWC1820PC		
Τάση εισόδου	V _{ac}	18
Ταχύτητα χωρίς φορτίο	/min	10.000 - 12.500
Βάρος	kg	1,7

Μπαταρία BL2018		
Τάση	V _{oc}	18
Χωρητικότητα	Ah	2
Τύπος	Li-Ion	
Φορτιστής	400mA	

Προστασία του περιβάλλοντος



Χωριστή συλλογή. Τα προϊόντα και οι μπαταρίες που επισημαίνονται με αυτό το σύμβολο δεν πρέπει να απορρίπτονται μαζί με τα κανονικά οικιακά απορρίμματα.

Σταθμισμένη τιμή κραδασμών συστήματος χεριού/βραχίου-
να σύμφωνα με το
EN 50636-2-91:

= < 2,5 m/s, αβεβαιότητα (K) = 1,5 m/s.

L_{w} (ηχητική πίεση) 72 dB(A)

αβεβαιότητα (K) = 2,8 dB(A)

Δήλωση συμμόρφωσης ΕΚ

ΟΔΗΓΙΑ ΠΕΡΙ ΜΗΧΑΝΗΜΑΤΩΝ
ΟΔΗΓΙΑ ΓΙΑ ΘΟΥΡΥΒΟΥΣ ΣΕ ΕΞΩΤΕΡΙΚΟΥΣ ΧΩΡΟΥΣ



GWC1815/GWC1820PC - Φυσητήρας

Η Black & Decker δηλώνει ότι τα προϊόντα αυτά που περιγράφονται στα «τεχνικά χαρακτηριστικά» συμμορφώνονται με τα ακόλουθα:

2006/42/ΕΚ, EN 60335-1:2012 + A11:2014
EN 50636-2-91:2014

2000/14/ΕΚ, Χορτοκοπτικό, $L \leq 50$ cm, Παράρτημα VIII
DEKRA Certification B.V., Utrechtseweg 310,
6802 ED Arnhem, The Netherlands
Αρ. ID Διακοινωμένου Οργανισμού: 0344

Στάθμη ηχητικής ισχύος σύμφωνα με το 2000/14/ΕΚ
(άρθρο 12, Παράρτημα III, $L \leq 50$ cm):
 L_{w} (μετρούμενη ηχητική ισχύς) 86 dB(A)
αβεβαιότητα (K) = 2,8 dB(A)
 L_{w} (εγγυημένη ηχητική ισχύς) 89 dB(A)

Αυτά τα προϊόντα συμμορφώνονται και με τις Οδηγίες
2014/30/EU, 2011/65/EU.

Για περισσότερες πληροφορίες, επικοινωνήστε με την Black & Decker στην παρακάτω διεύθυνση ή ανατρέξτε στο πίσω μέρος του εγχειριδίου.

Ο κάτωθι υπογεγραμμένος είναι υπεύθυνος για την κατάρτιση του τεχνικού φακέλου και δηλώνει τα παρόντα εκ μέρους της Black & Decker.

R. Laverick
Διευθυντής σχεδιασμού
Black & Decker Europe, 210 Bath Road, Slough,
Berkshire, SL1 3YD
United Kingdom
10/11/2015

Εγγύηση

Η Black & Decker είναι σίγουρη για την ποιότητα των προϊόντων της και προσφέρει στους καταναλωτές εγγύηση 24 μηνών από την ημερομηνία αγοράς. Αυτή η εγγύηση είναι πρόσθετο δικαίωμά σας και δεν ζημιώνει τα νόμιμα δικαιώματά σας. Η εγγύηση ισχύει εντός της επικράτειας των χωρών μελών της Ευρωπαϊκής Ένωσης και της Ευρωπαϊκής Ζώνης Ελεύθερων Συναλλαγών.

Για να υποβάλετε αξίωση βάσει της εγγύησης, η αξίωση θα πρέπει να είναι σύμφωνη με τους Όρους και προϋποθέσεις της Black&Decker και θα χρειαστεί να υποβάλετε απόδειξη αγοράς στον πωλητή ή σε εξουσιοδοτημένο αντιπρόσωπο επισκευών. Μπορείτε να αποκτήσετε τους Όρους και προϋποθέσεις της εγγύησης 2 ετών της Black&Decker και να μάθετε την τοποθεσία του πλησιέστερου εξουσιοδοτημένου αντιπροσώπου επισκευών στο Internet στο www.2helpU.com, ή επικοινωνώντας με το τοπικό σας γραφείο Black & Decker στη διεύθυνση που υποδεικνύεται στο παρόν εγχειρίδιο.

Παρακαλούμε επισκεφθείτε την ιστοσελίδα μας www.blackanddecker.gr για να καταχωρίσετε το νέο σας προϊόν Black & Decker και για να ενημερώσετε για τα νέα προϊόντα και τις ειδικές προσφορές.

België/Belgique/Luxembourg www.blackanddecker.be enduser.be@sbdinc.com	Stanley Black & Decker Belgium BVBA Egide Walschaertsstraat 16 2800 Mechelen	Tel. NL +32 15 47 37 65 Tel. FR +32 15 47 37 66 Fax. +32 15 47 37 99
Danmark	Black & Decker Roskildevej 22 2620 Albertslund	kundeservice.dk@sbdinc.com www.blackanddecker.dk
Deutschland www.blackanddecker.de infobfge@sdbinc.com	Stanley Black & Decker Deutschland GmbH Black & Decker Str. 40, D - 65510 Idstein	Tel. 06126 21-0 Fax 06126 21-2980
Ελλάδα www.blackanddecker.gr greece.service@sbdinc.com	Stanley Black & Decker (ΕΛΛΑΣ) Ε.Π.Ε ΓΡΑΦΕΙΑ: Σπύριδωνος 7 & Βουλιαγμένης 166 74 Γλυφάδα - Αθήνα	Τηλ. 210-8981616 Φαξ 210-8983570
SERVICE:	Ημερος Τόπος 2 -Χάνι Αδάμ 193 00 Ασπρόπυργος - Αθήνα	Τηλ. Service 210-8985208 Φαξ 210-5597598
España www.blackanddecker.es respuesta.posventa@sbdinc.com	Stanley Black & Decker Ibérica, S.C.A. Parc de Negocis "Mas Blau" Edificio Muntadas, c/Bergadà, 1, Of. A6 08820 El Prat de Llobregat (Barcelona)	Tel. 934 797 400 Fax 934 797 419
France www.blackanddecker.fr	Black & Decker (France) S.A.S. 5 allée des Hêtres B.P. 30084 69579 Limonest Cédex	Tel. 04 72 20 39 20 Fax 04 72 20 39 00
Helvetia www.blackanddecker.ch service@rofoag.ch	ROFO AG Gewerbezone Seeblick 3213 Kleinbösingen	Tel. 026-6749393 Fax 026-6749394
Italia www.blackanddecker.it service.italia@sbdinc.com	Stanley Black & Decker Italia Via Energypark 6 20871 Vimercate (MB)	Tel. 039-9590200 Fax 039-9590313 Numero verde 800-213935
Nederland www.blackanddecker.nl enduser.nl@sbdinc.com	Stanley Black & Decker Netherlands BV Holtum Noordweg 35, 6121 RE BORN Postbus 83, 6120 AB BORN	Tel. +31 164 283 065 Fax +31 164 283 200
Norge	Black & Decker Postboks 4613, Nydalen 0405 Oslo	kundeservice.no@sbdinc.com www.blackanddecker.no
Österreich www.blackanddecker.at service.austria@sbdinc.com	Stanley Black & Decker Austria GmbH Oberlaaerstraße 248, A-1230 Wien	Tel. 01 66116-0 Fax 01 66116-614
Portugal www.blackanddecker.pt resposta.posvenda@sbdinc.com	Black & Decker Limited SARL Quinta da Fonte - Edifício Q55 D. Diniz Rua dos Malhões, 2 e 2A - Piso 2 Esquerdo 2770 - 071 Paço de Arcos	Tel. 214667500 Fax 214667580
Suomi	Black & Decker PL47 00521, Helsinki	asiakaspalvelu.fi@sbdinc.com www.blackanddecker.fi
Sverige	Black & Decker AB Box 94, 431 22 Mölndal	kundservice.se@sbdinc.com www.blackanddecker.se
Türkiye www.blackanddecker.com.tr	KALE Hirdavat ve Makina A.Ş. Defferdar Mah. Savaklar Cad. No:15 Edimekapı / Eyüp / İstanbul 34050	Tel. 0212 533 52 55 Fax. 0212 533 10 05
United Kingdom & Republic Of Ireland www.blackanddecker.co.uk emeaservice@sbdinc.com	Black & Decker 210 Bath Road Slough, Berkshire SL1 3YD	Tel. 01753 511234 Fax 01753 512365
Middle East & Africa www.blackanddecker.ae service.mea@sbdinc.com	Black & Decker P.O.Box - 17164 Jebel Ali Free Zone (South), Dubai, UAE	Tel. +971 4 8863030 Fax +971 4 8863333