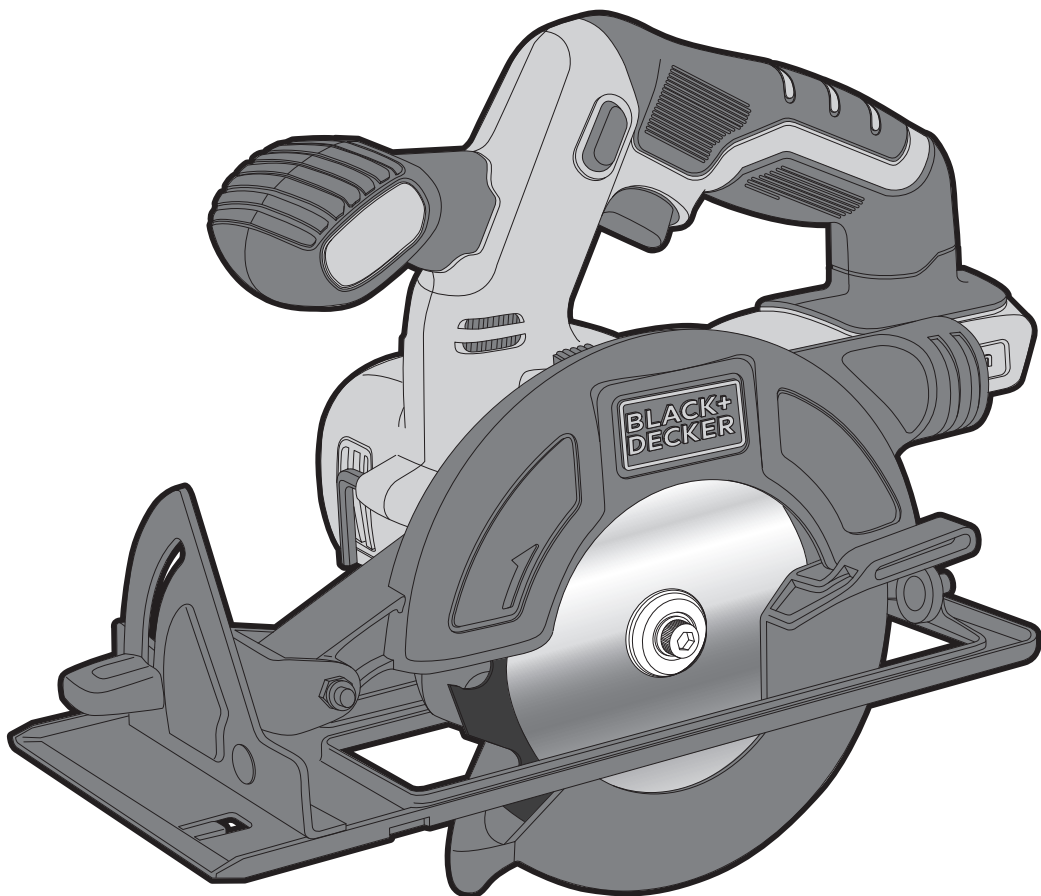


**BLACK+  
DECKER**™



[www.blackanddecker.eu](http://www.blackanddecker.eu)

**BDCCS18**

EN

DE

FR

IT

NL

ES

PT

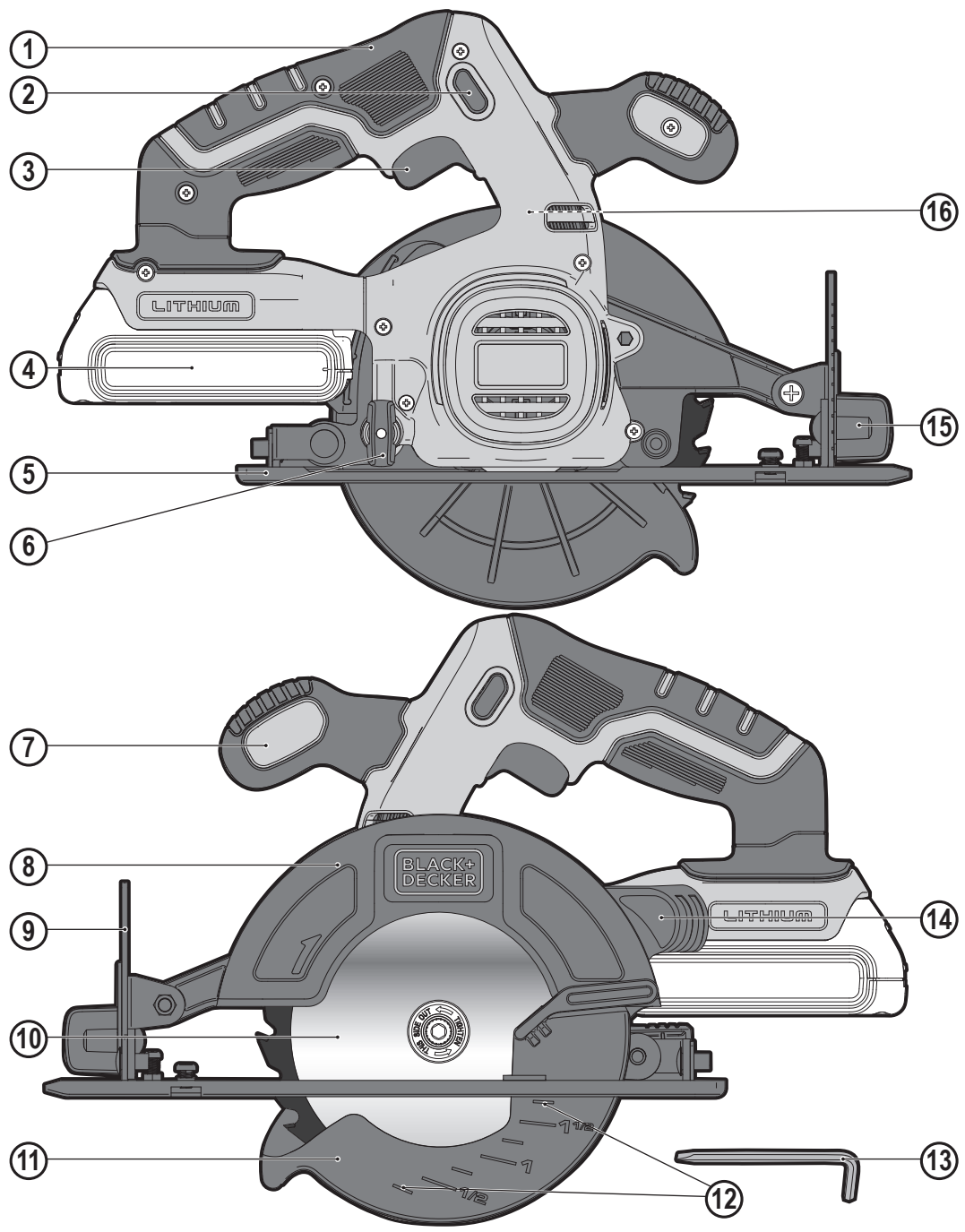
SV

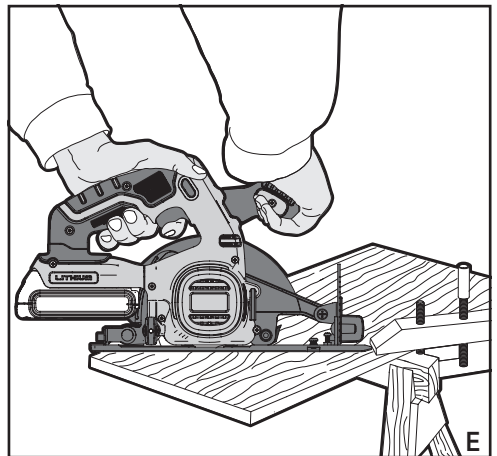
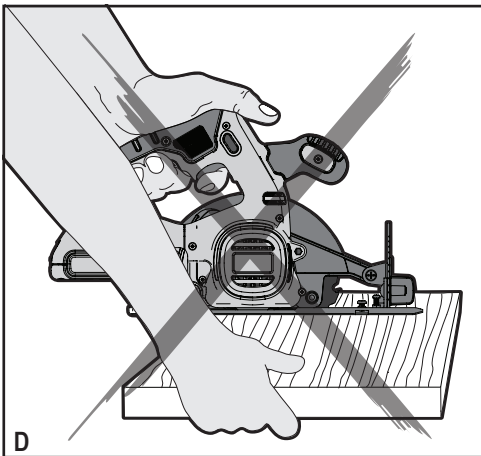
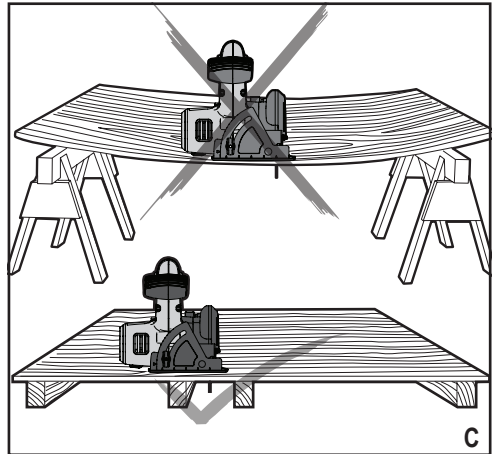
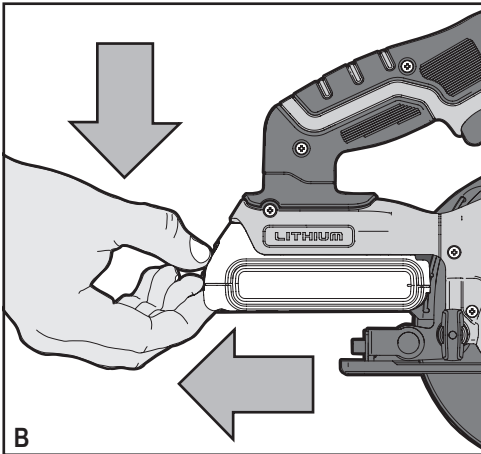
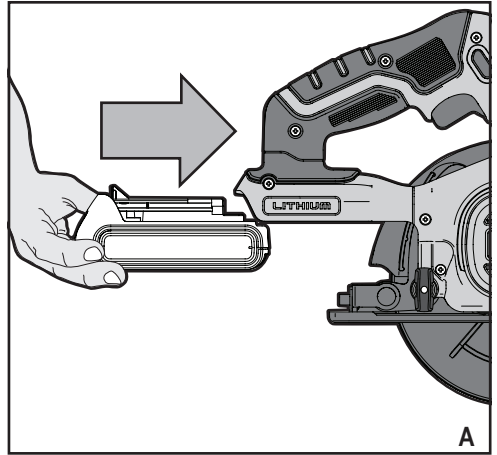
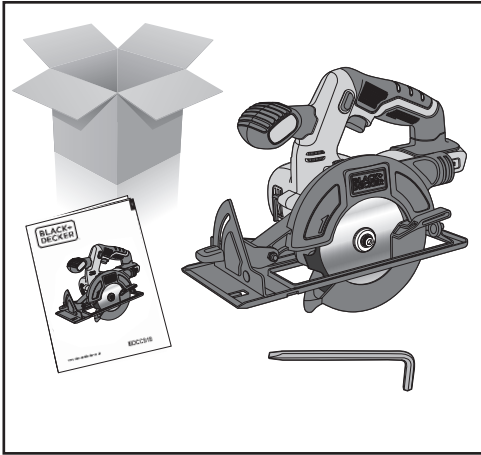
NO

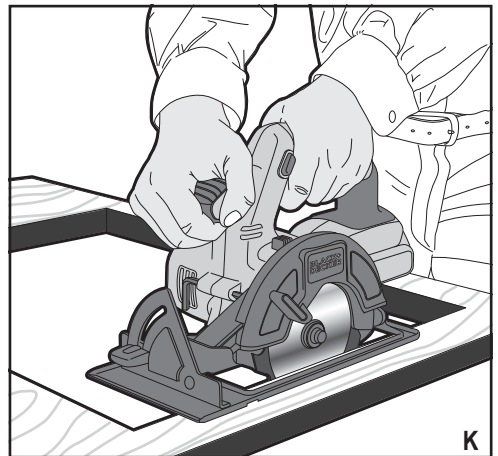
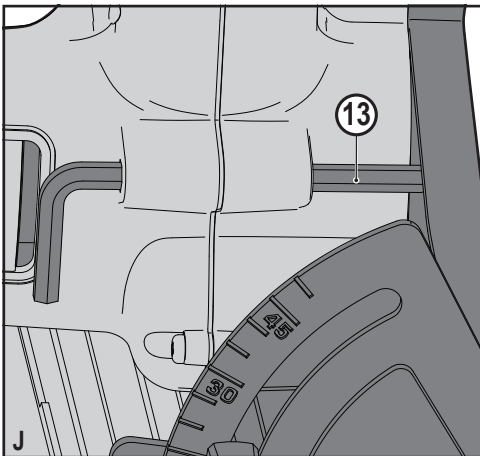
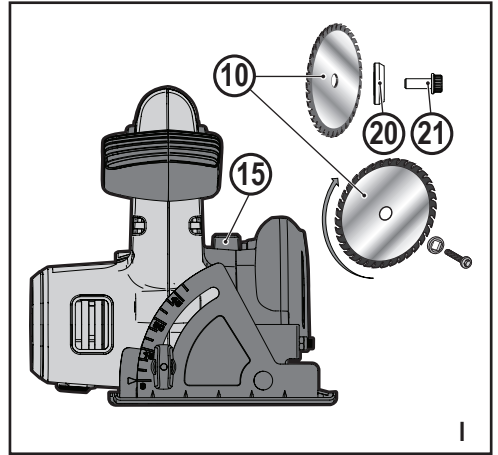
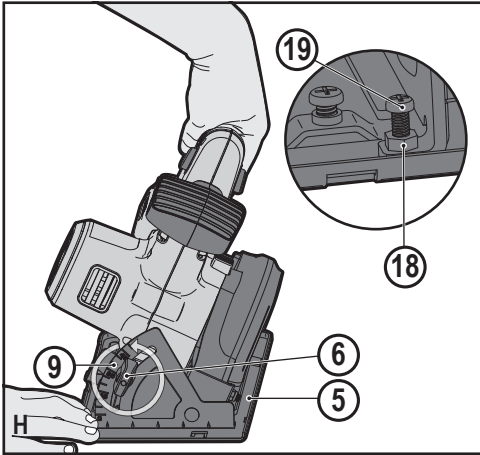
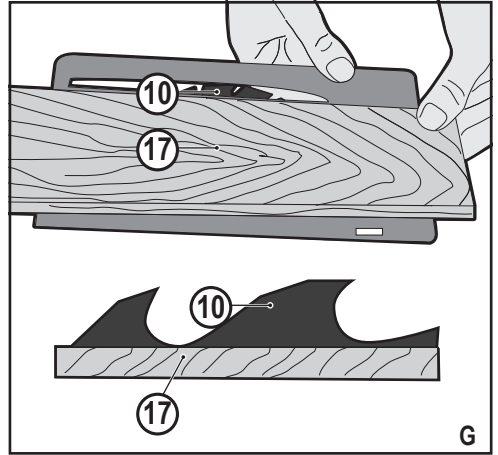
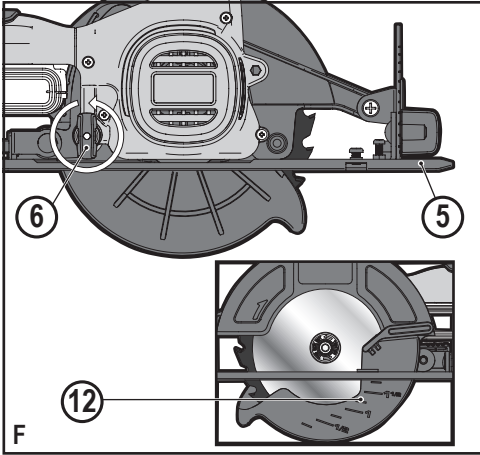
DK

FI

EL







## Intended use

Your BLACK+DECKER BDCCS18 circular saw has been designed for sawing wood and wood products. This tool is intended for consumer use only.

## Safety instructions

### General power tool safety warnings



**Warning! Read all safety warnings and all instructions, illustrations and specifications provided with this power tool.**

Failure to follow the warnings and instructions listed below may result in electric shock, fire and/or serious injury.

#### Save all warnings and instructions for future reference.

The term "power tool" in all of the warnings listed below refers to your mains operated (corded) power tool or battery operated (cordless) power tool.

#### 1. Work area safety

- a. **Keep work area clean and well lit.** Cluttered or dark areas invite accidents.
- b. **Do not operate power tools in explosive atmospheres, such as in the presence of flammable liquids, gases or dust.** Power tools create sparks which may ignite the dust or fumes.
- c. **Keep children and bystanders away while operating a power tool.** Distractions can cause you to lose control.

#### 2. Electrical safety

- a. **Power tool plugs must match the outlet. Never modify the plug in any way. Do not use any adapter plugs with earthed (grounded) power tools.** Unmodified plugs and matching outlets will reduce risk of electric shock.
- b. **Avoid body contact with earthed or grounded surfaces such as pipes, radiators, ranges and refrigerators.** There is an increased risk of electric shock if your body is earthed or grounded.
- c. **Do not expose power tools to rain or wet conditions.** Water entering a power tool will increase the risk of electric shock.
- d. **Do not abuse the cord. Never use the cord for carrying, pulling or unplugging the power tool. Keep cord away from heat, oil, sharp edges or moving parts.** Damaged or entangled cords increase the risk of electric shock.
- e. **When operating a power tool outdoors, use an extension cord suitable for outdoor use.** Use of a cord suitable for outdoor use reduces the risk of electric shock.
- f. **If operating a power tool in a damp location is unavoidable, use a residual current device (RCD) protected supply.**

Use of an RCD reduces the risk of electric shock.

#### 3. Personal safety

- a. **Stay alert, watch what you are doing and use common sense when operating a power tool. Do not use a power tool while you are tired or under the influence of drugs, alcohol or medication.** A moment of inattention while operating power tools may result in serious personal injury.
  - b. **Use personal protective equipment. Always wear eye protection.** Protective equipment such as dust mask, non-skid safety shoes, hard hat, or hearing protection used for appropriate conditions will reduce personal injuries.
  - c. **Prevent unintentional starting. Ensure the switch is in the off-position before connecting to power source and/or battery pack, picking up or carrying the tool.** Carrying power tools with your finger on the switch or energising power tools that have the switch on invites accidents.
  - d. **Remove any adjusting key or wrench before turning the power tool on.** A wrench or a key left attached to a rotating part of the power tool may result in personal injury.
  - e. **Do not overreach. Keep proper footing and balance at all times.** This enables better control of the power tool in unexpected situations.
  - f. **Dress properly. Do not wear loose clothing or jewellery. Keep your hair, clothing and gloves away from moving parts.** Loose clothes, jewellery or long hair can be caught in moving parts.
  - g. **If devices are provided for the connection of dust extraction and collection facilities, ensure these are connected and properly used.** Use of dust collection can reduce dust-related hazards.
  - h. **Do not let familiarity gained from frequent use of tools allow you to become complacent and ignore tool safety principles. A careless action can cause severe injury within a fraction of a second.**
- #### 4. Power tool use and care
- a. **Do not force the power tool. Use the correct power tool for your application.** The correct power tool will do the job better and safer at the rate for which it was designed.
  - b. **Do not use the power tool if the switch does not turn it on and off.** Any power tool that cannot be controlled with the switch is dangerous and must be repaired.
  - c. **Disconnect the plug from the power source and/or the battery pack from the power tool before making any adjustments, changing accessories, or storing power tools.** Such preventive safety measures reduce the risk of starting the power tool accidentally.

- d. **Store idle power tools out of the reach of children and do not allow persons unfamiliar with the power tool or these instructions to operate the power tool.** Power tools are dangerous in the hands of untrained users.
  - e. **Maintain power tools and accessories. Check for misalignment or binding of moving parts, breakage of parts and any other condition that may affect the power tools operation. If damaged, have the power tool repaired before use.** Many accidents are caused by poorly maintained power tools.
  - f. **Keep cutting tools sharp and clean.** Properly maintained cutting tools with sharp cutting edges are less likely to bind and are easier to control.
  - g. **Use the power tool, accessories and tool bits etc. in accordance with these instructions, taking into account the working conditions and the work to be performed.** Use of the power tool for operations different from those intended could result in a hazardous situation.
  - h. **Keep handles and grasping surfaces dry, clean and free from oil and grease. Slippery handles and grasping surfaces do not allow for safe handling and control of the tool in unexpected situations.**
5. **Battery tool use and care**
    - a. **Recharge only with the charger specified by the manufacturer.** A charger that is suitable for one type of battery pack may create a risk of fire when used with another battery pack.
    - b. **Use power tools only with specifically designated battery packs.** Use of any other battery packs may create a risk of injury and fire.
    - c. **When battery pack is not in use, keep it away from other metal objects, like paper clips, coins, keys, nails, screws, or other small metal objects, that can make a connection from one terminal to another.** Shorting the battery terminals together may cause burns or a fire.
    - d. **Under abusive conditions, liquid may be ejected from the battery; avoid contact. If contact accidentally occurs, flush with water. If liquid contacts eyes, additionally seek medical help.** Liquid ejected from the battery may cause irritation or burns.
    - e. **Do not use a battery pack or tool that is damaged or modified.** Damaged or modified batteries may exhibit unpredictable behaviour resulting in fire, explosion or risk of injury.
    - f. **Do not expose a battery pack or tool to fire or excessive temperature.** Exposure to fire or temperature above 265° F may cause explosion.
    - g. **Follow all charging instructions and do not charge the battery pack or tool outside the temperature range specified in the instructions.**

Charging improperly or at temperatures outside the specified range may damage the battery and increase the risk of fire.

## 6. Service

- a. **Have your power tool serviced by a qualified repair person using only identical replacement parts.** This will ensure that the safety of the power tool is maintained.
- b. **Never service damaged battery packs.** Service of battery packs should only be performed by the manufacturer or authorised service providers.

## Additional power tool safety warnings



**Warning!** Additional safety warnings for all saws

## Cutting procedures



**Keep hands away from cutting area and the blade. Keep your second hand on auxiliary handle, or motor housing.** If both hands are holding the saw, they cannot be cut by the blade.

- ◆ **Do not reach underneath the workpiece.** The guard cannot protect you from the blade below the workpiece.
- ◆ **Adjust the cutting depth to the thickness of the workpiece.** Less than a full tooth of the blade teeth should be visible below the workpiece.
- ◆ **Never hold piece being cut in your hands or across your leg. Secure the workpiece to a stable platform.** It is important to support the work properly to minimize body exposure, blade binding, or loss of control.
- ◆ **Hold the power tool by insulated gripping surfaces only, when performing an operation where the cutting tool may contact hidden wiring or its own cord.** Contact with a "live" wire will also make exposed metal parts of the power tool "live" and could give the operator an electric shock.
- ◆ **When ripping, always use a rip fence or straight edge guide.** This improves the accuracy of cut and reduces the chance of blade binding.
- ◆ **Always use blades with correct size and shape (diamond versus round) of arbour holes.** Blades that do not match the mounting hardware of the saw will run eccentrically, causing loss of control.
- ◆ **Never use damaged or incorrect blade washers or bolt.** The blade washers and bolt were specially designed for your saw, for optimum performance and safety of operation.

## Further safety instructions for all saws

## Kickback causes and related warnings

- ◆ kickback is a sudden reaction to a pinched, bound or misaligned saw blade, causing an uncontrolled saw to lift up and out of the workpiece toward the operator;
- ◆ when the blade is pinched or bound tightly by the kerf closing down, the blade stalls and the motor reaction drives the unit rapidly back toward the operator;
- ◆ if the blade becomes twisted or misaligned in the cut, the teeth at the back edge of the blade can dig into the top surface of the wood causing the blade to climb out of the kerf and jump back toward the operator

Kickback is the result of saw misuse and/or incorrect operating procedures or conditions and can be avoided by taking proper precautions as given below.

- ◆ **Maintain a firm grip with both hands on the saw and position your arms to resist kickback forces. Position your body to either side of the blade, but not in line with the blade.** Kickback could cause the saw to jump backwards, but kickback forces can be controlled by the operator, if proper precautions are taken.
- ◆ **When blade is binding, or when interrupting a cut for any reason, release the trigger and hold the saw motionless in the material until the blade comes to a complete stop. Never attempt to remove the saw from the work or pull the saw backward while the blade is in motion or kickback may occur.** Investigate and take corrective actions to eliminate the cause of blade binding.
- ◆ **When restarting a saw in the workpiece, centre the saw blade in the kerf and check that saw teeth are not engaged into the material.** If saw blade is binding, it may walk up or kickback from the workpiece as the saw is restarted.
- ◆ **Support large panels to minimise the risk of blade pinching and kickback.** Large panels tend to sag under their own weight. Supports must be placed under the panel on both sides, near the line of cut and near the edge of the panel.
- ◆ **Do not use dull or damaged blades.** Unsharpened or improperly set blades produce narrow kerf causing excessive friction, blade binding and kickback.
- ◆ **Blade depth and bevel adjusting locking levers must be tight and secure before making cut.** If blade adjustment shifts while cutting, it may cause binding and kickback.
- ◆ **Use extra caution when sawing into existing walls or other blind areas.** The protruding blade may cut objects that can cause kickback.

## Lower guard function

- ◆ **Check lower guard for proper closing before each use. Do not operate the saw if lower guard does not move freely and close instantly. Never clamp or tie the lower guard into the open position.**

If saw is accidentally dropped, lower guard may be bent. Raise the lower guard with the retracting handle and make sure it moves freely and does not touch the blade or any other part, in all angles and depths of cut.

- ◆ **Check the operation of the lower guard spring. If the guard and the spring are not operating properly, they must be serviced before use.** Lower guard may operate sluggishly due to damaged parts, gummy deposits, or a build-up of debris.
- ◆ **Lower guard may be retracted manually only for special cuts such as "plunge cuts" and "compound cuts".** Raise lower guard by retracting handle and as soon as blade enters the material, the lower guard must be released. For all other sawing, the lower guard should operate automatically.
- ◆ **Always observe that the lower guard is covering the blade before placing saw down on bench or floor.** An unprotected, coasting blade will cause the saw to walk backwards, cutting whatever is in its path. Be aware of the time it takes for the blade to stop after switch is released.

## Safety of others

Never allow children, persons with reduced physical, sensory or mental capabilities or lack of experience and knowledge or people unfamiliar with these instructions to use the machine, local regulations may restrict the age of the operator.

## Residual risks

Additional residual risks may arise when using the tool which may not be included in the enclosed safety warnings. These risks can arise from misuse, prolonged use etc.

Even with the application of the relevant safety regulations and the implementation of safety devices, certain residual risks can not be avoided. These include:

- ◆ Injuries caused by touching any rotating/moving parts.
- ◆ Injuries caused when changing any parts, blades or accessories.
- ◆ Injuries caused by prolonged use of a tool. When using any tool for prolonged periods ensure you take regular breaks.
- ◆ Impairment of hearing.
- ◆ Health hazards caused by breathing dust developed when using your tool (example:- working with wood, especially oak, beech and MDF.)

## Vibration

The declared vibration emission values stated in the technical data and the declaration of conformity have been measured in accordance with a standard test method provided by EN62841 and may be used for comparing one tool with another. The declared vibration emission value may also be used in a preliminary assessment of exposure.

**Warning!** The vibration emission value during actual use of the power tool can differ from the declared value depending on the ways in which the tool is used. The vibration level may increase above the level stated.

When assessing vibration exposure to determine safety measures required by 2002/44/EC to protect persons regularly using power tools in employment, an estimation of vibration exposure should consider, the actual conditions of use and the way the tool is used, including taking account of all parts of the operating cycle such as the times when the tool is switched off and when it is running idle in addition to the trigger time.

### Labels on tool

The following pictograms are shown on the tool along with the date code:



**Warning!** To reduce the risk of injury, the user must read the instruction manual.

### Additional safety instructions for batteries and chargers (may not be included)

#### Batteries (may not be included)

- ◆ Never attempt to open for any reason.
- ◆ Do not expose the battery to water.
- ◆ Do not store in locations where the temperature may exceed 40 °C.
- ◆ Charge only at ambient temperatures between 10 °C and 40 °C.
- ◆ Charge only using the charger provided with the tool.
- ◆ When disposing of batteries, follow the instructions given in the section "Protecting the environment".

#### Chargers (may not be included)

- ◆ Use your BLACK+DECKER charger only to charge the battery in the tool with which it was supplied. Other batteries could burst, causing personal injury and damage.
- ◆ Never attempt to charge non-rechargeable batteries.
- ◆ Have defective cords replaced immediately.
- ◆ Do not expose the charger to water.
- ◆ Do not open the charger.
- ◆ Do not probe the charger.



The charger is intended for indoor use only.



Read the instruction manual before use.

### Electrical safety



Your charger is double insulated; therefore no earth wire is required. Always check that the mains voltage corresponds to the voltage on the rating plate. Never attempt to replace the charger unit with a regular mains plug.

- ◆ If the supply cord is damaged, it must be replaced by the manufacturer or an authorised BLACK+DECKER Centre in order to avoid a hazard.

### Features

This tool includes some or all of the following features.

1. Main handle
2. Lock-off button
3. On/Off trigger
4. Battery (may not be included)
5. Shoe
6. Depth adjustment knob
7. Secondary handle
8. Upper Guard
9. Bevel adjustment scale
10. Blade
11. Lower blade guard
12. Depth adjustment scale
13. Locking tool
14. Dust extraction port
15. Bevel adjustment knob
16. Spindle lock

### Charging procedure (may not be included)

BLACK+DECKER chargers are designed to charge BLACK+DECKER battery packs.

- ◆ Plug the charger into an appropriate outlet before inserting the battery pack.
- ◆ Insert the battery pack into the charger.
- ◆ The green LED will flash indicating that the battery is being charged.
- ◆ The completion of charge is indicated by the green LED remaining on continuously. The pack is fully charged and may be used at this time or left on the charger.

**Note:** Recharge discharged batteries as soon as possible after use or battery life may be greatly diminished. For longest battery life, do not discharge batteries fully.

It is recommended that the batteries be recharged after each use.

### Leaving the battery in the charger (may not be included)

The charger and battery pack can be left connected with the LED glowing indefinitely. The charger will keep the battery pack fresh and fully charged.

### Important charging notes (may not be included)

- ◆ Longest life and best performance can be obtained if the battery pack is charged when the air temperature is between 65°F and 75°F (18°- 24°C). DO NOT charge the battery pack in an air temperature below +40°F (+4.5°C), or above +105°F (+40.5°C). This is important and will prevent serious damage to the battery pack.



- ◆ The charger and battery pack may become warm to touch while charging. This is a normal condition, and does not indicate a problem. To facilitate the cooling of the battery pack after use, avoid placing the charger or battery pack in a warm environment such as in a metal shed, or an uninsulated trailer.
- ◆ If the battery pack does not charge properly:
  - ◆ Check current at receptacle by plugging in a lamp or other appliance.
  - ◆ Check to see if receptacle is connected to a light switch which turns power off when you turn out the lights.
  - ◆ Move charger and battery pack to a location where the surrounding air temperature is approximately 65°F - 75°F (18° - 24°C).
  - ◆ If charging problems persist, take the tool, battery pack and charger to your local service center.
- ◆ The battery pack should be recharged when it fails to produce sufficient power on jobs which were easily done previously. DO NOT CONTINUE to use under these conditions. Follow the charging procedure. You may also charge a partially used pack whenever you desire with no adverse affect on the battery pack.
- ◆ Foreign materials of a conductive nature such as, but not limited to, steel wool, aluminium foil, or any buildup of metallic particles should be kept away from charger cavities. Always unplug the charger from the power supply when there is no battery pack in the cavity. Unplug charger before attempting to clean.
- ◆ Do not freeze or immerse charger in water or any other liquid.

**Warning!** Do not allow any liquid to get inside charger. Never attempt to open the battery pack for any reason. If the plastic housing of the battery pack breaks or cracks, return to a service center for recycling.

### Bad Battery (may not be included)

If you see a bad battery blink pattern, do not continue to charge this battery. Return it to a service center or a collection site for recycling.

### Hot/Cold Pack Delay (may not be included)

When the charger detects a battery pack that is too hot or too cold, it automatically starts a Hot/Cold Pack Delay, suspending charging until the battery pack has reached an appropriate temperature. The charger then automatically switches to the pack charging mode. This feature ensures maximum battery pack life. A cold battery pack will charge at a slower rate than a warm battery pack. The pack will charge at that slower rate throughout the entire charging cycle and will not return to maximum charge rate even if the pack warms.

## Installing and removing the battery pack from the tool (may not be included)

**Warning!** Before attempting any of the following operations, make sure that the tool is switched off and unplugged and that the saw blade has stopped.

### To install the battery pack (fig. A)

- ◆ Insert battery pack into tool as shown in figure A. Ensure battery pack is fully seated and fully latched into position.
- ◆ Ensure battery pack is fully seated and fully latched into position.

### To Remove the battery pack (fig. B)

- ◆ Depress the battery release button as shown in figure B, and pull battery pack out of tool.

## Supporting large panels/Securing workpiece (fig. C)

- ◆ Support large panels to minimize the risk of blade pinching and kickback. Large panels tend to sag under their own weight as shown in figure C.
- ◆ Supports must be placed under the panel on both sides, near the line of cut and near the edge of the panel figure C.
- ◆ Never hold piece being cut in your hands or across your leg figure D.
- ◆ Secure the workpiece to a stable platform as shown in figure E. It is important to support the work properly to minimize body exposure, blade binding, or loss of control.

## Cutting Depth Adjustment - (fig. F - G)

- ◆ The depth of cut should be set according to the thickness of the workpiece.
- ◆ Loosen the depth adjustment knob (6) to unlock the saw shoe (5) as shown in figure F.
- ◆ Move the saw shoe into the desired position. The corresponding depth of cut can be read from the scale (12).
- ◆ Set depth adjustment of saw such that one tooth (10) of the blade projects below the workpiece (16) as shown in figure G.
- ◆ Tighten the knob to lock the saw shoe in place.

## Bevel Angle Adjustment - (fig. K)

This tool can be set to bevel angles between 0° and 50°

- ◆ Loosen the bevel adjustment knob (14) to unlock the saw shoe (5).
- ◆ Move the saw shoe (5) into the desired position. The corresponding bevel angle can be read from the scale (9).
- ◆ Tighten the bevel adjustment knob (15) to lock the saw shoe in place.
- ◆ Confirm the accuracy of the setting by checking the bevel angle of an actual cut on a scrap piece of material.

## Shoe Adjustment For 90° Cuts

The shoe (5) has been set by the factory to assure that the blade is perpendicular to the shoe at 0° bevel setting.

IF REALIGNMENT IS NEEDED:

- ◆ Adjust the saw to 0° bevel.
- ◆ Retract blade guard (11).
- ◆ Loosen bevel adjustment knob (15). Place a square against the blade (10) and shoe (5) to adjust the 90° setting.
- ◆ Loosen jam nut (16) and move the adjustment screw (19) (inset figure H) so that the shoe will stop at the proper angle. Retighten jam nut against the shoe while holding adjustment screw in position.
- ◆ Confirm the accuracy of the setting by checking the squareness of an actual cut on a scrap piece of material.

## Attaching and Removing the Blade (fig. I - J)

- ◆ Retract lower guard and assemble blade (10) and clamp washer (20) as shown in figure I.
- ◆ Depress the spindle lock (16) while turning the blade bolt (21) with the locking tool (13) until the blade lock engages and the blade stops rotating.

**Note:** Bolt has a left-handed thread. To loosen, turn clockwise. To tighten, turn counterclockwise.

**Note:** Never engage the blade lock while the saw is running, or engage in an effort to stop the tool.

Never turn the tool on while the blade lock is engaged. Serious damage to your saw will result.

## Lower Blade Guard

**Warning!** Laceration Hazard. The lower blade guard is a safety feature which reduces the risk of serious personal injury. Never use the saw if the lower guard is missing, damaged, misassembled or not working properly. Do not rely on the lower blade guard to protect you under all circumstances. Your safety depends on following all warnings and precautions as well as proper operation of the saw. Check lower guard for proper closing before each use as outlined in Additional Safety Rules for Circular Saws. If the lower blade guard is missing or not working properly, have the saw serviced before using. To assure product safety and reliability, repair, maintenance and adjustment should be performed by an authorized service center or other qualified service organization, always using identical replacement parts.

**Warning!** To minimize the risk of eye injury, always use eye protection. Foreign objects in the work place such as wire or nails can cause tips to crack or break. Only operate saw when proper saw blade guard is in place. Mount blade securely in proper rotation before using, and always use a clean, sharp blade.

**Warning!** To reduce the risk of injury, It is important to support the work properly and to hold the saw firmly to prevent loss of control which could cause personal injury.

Figure E illustrates typical hand support.

## Use

**Warning!** To reduce the risk of serious personal injury, read, understand and follow all important safety warnings and instructions prior to using tool.

## Blade Selection

Your circular saw is designed for use with 140 x 2 mm diameter blades that have a 12.7 mm diameter bore. Blades must be rated for 7000 RPM operation (or higher). DO NOT use any abrasive wheels.

## General Cuts

**Warning!** To reduce the risk of injury, remove the battery, and follow all assembly, adjustment and set up instructions. Make sure lower guard operates. Select the proper blade for the material to be cut.

- ◆ Measure and mark work for cutting.
- ◆ Support and secure work properly (See Safety Rules and Instructions).
- ◆ Use appropriate and required safety equipment (See Safety Rules).
- ◆ Secure and maintain work area (See Safety Rules).
- ◆ With battery inserted, make sure switch turns saw on and off.

## Switch

Saw is equipped with a switch lock-off feature to prevent unintentional operation.

- ◆ To operate the tool, press in on the lock-off button (2) from either side of the saw and hold it in as you depress the trigger switch (3).
- ◆ After you have depressed the trigger and the tool is running, release the lock-off button.
- ◆ The tool will continue to run as long as the trigger is depressed.
- ◆ To turn the tool off, release the trigger switch.

**Note:** This tool has no provision for locking the tool on, and the switch should never be locked on by any other means.

## Automatic Electric Brake

Your saw is equipped with an electric blade brake which stops the saw blade within 1-2 seconds of trigger release. This is automatic and requires no adjustment.

## Sawing

**Warning!** To reduce the risk of serious personal injury, always hold the tool with both hands.

- ◆ Let the blade run freely for a few seconds before starting the cut.

- ◆ Apply only a gentle pressure to the tool while performing the cut.
- ◆ Work with the shoe pressed against the workpiece.

### Hints for optimum use

- ◆ As some splintering along the line of cut on the top side of the workpiece cannot be avoided, cut on the side where splintering is acceptable.
- ◆ Where splintering is to be minimized, e.g. when cutting laminates, clamp a piece of plywood onto the top of the workpiece.

### Pocket cutting (fig. K)

**Warning!** Never tie the blade guard in a raised position. Never move the saw backwards when pocket cutting. This may cause the unit to raise up off the work surface which could cause injury.

A pocket cut is one that is made when the edge of the material does not push the lower guard open, but the bottom edge of the rotating blade cuts into the middle of the material.

- ◆ Adjust the shoe (5) so the blade cuts at desired depth.
- ◆ Tilt the saw forward and rest front of the shoe on material to be cut.
- ◆ Using the retracting lever, retract lower blade guard to an upward position. Lower rear of shoe until blade teeth almost touch cutting line.
- ◆ Release the blade guard (its contact with the work will keep it in position to open freely as you start the cut).
- ◆ Remove hand from guard lever and firmly grip secondary handle (7), as shown in figure N. Position your body and arm to allow you to resist kickback if it occurs.
- ◆ Make sure blade is not in contact with cutting surface before starting saw.
- ◆ Start the motor, allow saw to come to full speed, and then gradually lower the saw until its shoe rests flat on the material to be cut. Advance saw along the cutting line until cut is completed as shown in figure K.
- ◆ Release trigger and allow blade to stop completely before withdrawing the blade from the material.
- ◆ When starting each new cut, repeat as above.

### Troubleshooting

Problem	Possible Cause	Possible Solution
Unit will not start.	Battery pack not installed properly.	Check battery pack installation.
	Battery pack not charged.	Check battery pack charging requirements.

Problem	Possible Cause	Possible Solution
Motor stops while mowing.	Battery pack not inserted into charger.	Insert battery pack into charger until LED appears.
	Charger not plugged in.	Plug charger into a working outlet. Refer to "Important Charging Notes" for more details.
	Surrounding air temperature too hot or too cold.	Move charger and battery to a surrounding air temperature of above 40 degrees F (4.5°C) or below 105 degrees F (+40.5°C).
Unit shuts off abruptly.	Battery pack has reached its maximum thermal limit.	Allow battery pack to cool down.
	Out of charge. (To maximize the life of the battery pack it is designed to shutoff abruptly when the charge is depleted).	Place on charger and allow to charge.

### Accessories

The performance of your tool depends on the accessory used. BLACK+DECKER accessories are engineered to high quality standards and designed to enhance the performance of your tool. By using these accessories you will get the very best from your tool.

### Maintenance

Your tool has been designed to operate over a long period of time with a minimum of maintenance. Continuous satisfactory operation depends upon proper tool care and regular cleaning.

**Warning!** Before performing any maintenance, switch off and unplug the tool.

- ◆ Regularly clean the ventilation slots in your tool using a soft brush or dry cloth.
- ◆ Regularly clean the motor housing using a damp cloth. Do not use any abrasive or solvent-based cleaner.

### Mains plug replacement (U.K. & Ireland only)

If a new mains plug needs to be fitted:

- ◆ Safely dispose of the old plug.
- ◆ Connect the brown lead to the live terminal in the new plug.
- ◆ Connect the blue lead to the neutral terminal.

**Warning!** No connection is to be made to the earth terminal. Follow the fitting instructions supplied with good quality plugs. Recommended fuse: 3 A.

### Protecting the environment



Separate collection. Products and batteries marked with this symbol must not be disposed of with normal household waste

Products and batteries contain materials that can be recovered or recycled reducing the demand for raw materials. Please recycle electrical products and batteries according to local provisions. Further information is available at [www.2helpU.com](http://www.2helpU.com)

**Technical data**

BDCCS18 H1		
Input voltage	V <sub>dc</sub>	18
No-load speed	min <sup>-1</sup>	3700 RPM
Max depth of cut	mm	43
Max depth of cut at 45° bevel	mm	35
Blade diameter	mm	140
Blade bore	mm	12.7
Blade tip width	mm	2.0
Weight	kg	2.08

Charger		905902**/N4940**	905998**/906349**
Input voltage	V <sub>AC</sub>	100-240	220-240
Output voltage	V <sub>DC</sub>	8-20	8-20
Current	A	400	1000
Approx. charge time	Hours	3-11	1.5-5

Battery (where supplied)		BL2018*	BL1518*	BL4018
Voltage	V <sub>DC</sub>	18	18	18
Capacity	Ah	2.0	1.5	4.0
Type		Li-Ion	Li-Ion	Li-Ion

L <sub>pa</sub> (sound pressure) 76.0 dB(A), Uncertainty (K) 3 dB(A)
L <sub>WA</sub> (sound power) 87.0 dB(A), Uncertainty (K) 3 dB(A)
Vibration total values (triax vector sum) according to EN 62841:
Cutting Wood (a <sub>h,w</sub> ) 1.5 m/s <sup>2</sup> , uncertainty (K) 1.5 m/s <sup>2</sup>

**EC declaration of conformity**  
MACHINERY DIRECTIVE



**BDCCS18 Circular Saw**

Black & Decker declares that these products described under "technical data" are in compliance with: EN62841-1:2015 , EN62841-2-5:2014.

These products also comply with Directive 2006/42/EC, 2014/30/EU and 2011/65/EU. For more information, please contact Black & Decker at the following address or refer to the back of the manual.

The undersigned is responsible for compilation of the technical file and makes this declaration on behalf of  
Black & Decker.

A. P. Smith  
Technical Director  
Black & Decker Europe, 270 Bath Road, Slough,  
Berkshire, SL1 4DX  
United Kingdom  
30/04/2019

**Guarantee**

Black & Decker is confident of the quality of its products and offers consumers a 24 month guarantee from the date of purchase. This guarantee is in addition to and in no way prejudices your statutory rights. The guarantee is valid within the territories of the Member States of the European Union and the European Free Trade Area.

To claim on the guarantee, the claim must be in accordance with Black&Decker Terms and Conditions and you will need to submit proof of purchase to the seller or an authorised repair agent.

Terms and conditions of the Black&Decker 2 year guarantee and the location of your nearest authorised repair agent can be obtained on the Internet at [www.2helpU.com](http://www.2helpU.com), or by contacting your local Black & Decker office at the address indicated in this manual.

Please visit our website [www.blackanddecker.co.uk](http://www.blackanddecker.co.uk) to register your new Black & Decker product and receive updates on new products and special offers.

(Übersetzung der ursprünglichen Anweisungen)

**Verwendungszweck**

Ihre BLACK+DECKER Kreissäge BDCCS18 wurde zum Sägen von Holz und Holzprodukten entwickelt. Dieses Gerät ist nicht für den gewerblichen Einsatz vorgesehen.

**Sicherheitshinweise**

**Allgemeine Sicherheitswarnungen für das Gerät**



**Warnung! Beachten Sie alle Sicherheitshinweise, Anweisungen, Darstellungen und Daten, die Sie mit dem Gerät erhalten.** Die Nichteinhaltung der folgenden Warnungen und Anweisungen kann einen elektrischen Schlag, Brand und/oder schwere Verletzungen verursachen.

**Bewahren Sie alle Sicherheitswarnungen und Anweisungen gut auf.** Der nachfolgend verwendete Begriff "Gerät" bezieht sich auf netzbetriebene Geräte (mit Netzkabel) und auf akkubetriebene Geräte (ohne Netzkabel).

**1. Sicherheit im Arbeitsbereich**

- a. **Halten Sie Ihren Arbeitsbereich sauber und gut ausgeleuchtet.** Unaufgeräumte oder dunkle Bereiche begünstigen Unfälle.
- b. **Betreiben Sie das Gerät nicht in Umgebungen, in denen Explosionsgefahr z. B. aufgrund von brennbaren Flüssigkeiten, Gasen oder Staub besteht.** Geräte erzeugen Funken, die den Staub oder die Dämpfe entzünden können.
- c. **Halten Sie Kinder und andere Personen während der Benutzung eines Geräts fern.** Bei Ablenkung können Sie die Kontrolle verlieren.

**2. Elektrische Sicherheit**

- a. **Der Netzstecker des Geräts muss in die Steckdose passen. Ändern Sie niemals den Stecker in irgendeiner Form. Verwenden Sie keinerlei Adapterstecker an geerdeten Elektrogeräten.** Unveränderte Stecker und passende Steckdosen mindern die Gefahr eines elektrischen Schlags.
- b. **Vermeiden Sie Körperkontakt mit geerdeten Oberflächen von Rohren, Heizungen, Herden und Kühlschränken.** Es besteht eine erhöhte Gefahr für einen elektrischen Schlag, wenn Ihr Körper geerdet ist.
- c. **Halten Sie Geräte von Regen und Nässe fern.** Das Eindringen von Wasser in ein Gerät erhöht das Risiko eines elektrischen Schlags.
- d. **Verwenden Sie das Kabel ordnungsgemäß. Verwenden Sie es niemals zum Tragen. Trennen Sie das Gerät nicht durch Ziehen am Kabel vom Netz. Halten Sie das Kabel fern von Hitze, Öl, scharfen Kanten oder beweglichen Teilen.** Beschädigte oder verhedderte Kabel erhöhen die Gefahr eines elektrischen Schlags.
- e. **Verwenden Sie nur für den Außenbereich zugelassene Verlängerungskabel, wenn Sie mit dem Gerät im Freien arbeiten.** Die Verwendung eines für den Außenbereich geeigneten Verlängerungskabels verringert das Risiko eines elektrischen Schlags.
- f. **Wenn das Gerät in einer feuchten Umgebung verwendet werden muss, schließen Sie es unbedingt an eine Steckdose mit Fehlerstromschutzschalter (FI-Schalter) an.** Ein Fehlerstromschutzschalter verringert das Risiko eines elektrischen Schlags.

**3. Sicherheit von Personen**

- a. **Seien Sie aufmerksam, achten Sie darauf, was Sie tun, und gehen Sie sachgerecht mit einem Gerät um. Benutzen Sie kein Gerät, wenn Sie müde sind oder unter dem Einfluss von Drogen, Alkohol oder Medikamenten stehen.** Ein Moment der Unachtsamkeit beim Betrieb eines Geräts kann zu schweren Verletzungen führen.

- b. **Verwenden Sie eine geeignete Schutzausrüstung. Tragen Sie immer einen Augenschutz.** Das Tragen persönlicher Schutzausrüstung, wie Staubmaske, rutschfeste Sicherheitsschuhe, Schutzhelm oder Gehörschutz, je nach Art und Einsatz des Geräts, verringert das Risiko von Verletzungen.

- c. **Vermeiden Sie eine unbeabsichtigte Inbetriebnahme. Vergewissern Sie sich, dass das Gerät ausgeschaltet ist, bevor Sie es an eine Steckdose oder einen Akku anschließen, es hochheben oder tragen.** Wenn Sie beim Tragen des Geräts den Finger am Schalter haben oder das Gerät eingeschaltet an die Stromversorgung anschließen, kann dies zu Unfällen führen.

- d. **Entfernen Sie Einstell- oder Schraubenschlüssel, bevor Sie das Gerät einschalten.** Werkzeuge oder Schlüssel, die an rotierenden Teilen des Geräts angebracht sind, können zu Verletzungen führen.

- e. **Beugen Sie sich nicht zu weit nach vorne. Sorgen Sie für einen sicheren Stand und halten Sie jederzeit das Gleichgewicht.** Dadurch können Sie das Gerät in unerwarteten Situationen besser kontrollieren.

- f. **Tragen Sie geeignete Kleidung. Tragen Sie keine weite Kleidung und keinen Schmuck. Halten Sie Ihre Haare, Kleidung und Handschuhe von beweglichen Teilen fern.** Lose sitzende Kleidung, Schmuck oder lange Haare können sich in den beweglichen Teilen verfangen.

- g. **Falls Vorrichtungen zum Absaugen oder Auffangen von Staub vorhanden sind, vergewissern Sie sich, dass diese angeschlossen sind und richtig verwendet werden.**

Das Verwenden einer Staubauffangvorrichtung verringert Gefährdungen durch Staub.

- h. **Vermeiden Sie, durch die häufige Nutzung des Werkzeugs in einen Trott zu verfallen und Prinzipien für die Werkzeugsicherheit zu ignorieren. Eine unachtsame Aktion kann im Bruchteil einer Sekunde zu schweren Verletzungen führen.**

**4. Gebrauch und Pflege von Geräten**

- a. **Überlasten Sie das Gerät nicht. Verwenden Sie das für Ihre Arbeit passende Gerät.** Das richtige Gerät wird die Aufgabe besser und sicherer erledigen, wenn es bestimmungsgemäß verwendet wird.

- b. **Verwenden Sie das Gerät nicht, wenn der Ein-/Ausschalter nicht funktioniert.** Ein Gerät, das sich nicht mehr ein- oder ausschalten lässt, ist gefährlich und muss repariert werden.

- c. **Ziehen Sie den Stecker aus der Steckdose, oder trennen Sie das Gerät vom Akku, bevor Sie Einstellungen vornehmen, Zubehörteile wechseln oder das Gerät lagern.** Diese Vorbeugemaßnahmen mindern die Gefahr, dass das Elektrogerät unbeabsichtigt startet.

- d. **Bewahren Sie unbenutzte Geräte außerhalb der Reichweite von Kindern auf. Lassen Sie Geräte nicht von Personen benutzen, die damit nicht vertraut sind oder diese Anweisungen nicht gelesen haben.** Geräte sind in den Händen nicht geschulter Personen gefährlich.
- e. **Halten Sie das Gerät und sein Zubehör in einem einwandfreien Zustand. Kontrollieren Sie, ob bewegliche Teile falsch ausgerichtet sind oder klemmen und ob Teile gebrochen oder so beschädigt sind, dass die Funktion des Geräts beeinträchtigt ist. Bei Beschädigungen lassen Sie das Gerät reparieren, bevor Sie es verwenden.** Viele Unfälle entstehen wegen mangelnder Wartung der Geräte.
- f. **Halten Sie Schneidgeräte scharf und sauber.** Richtig gewartete Schneidwerkzeuge mit scharfen Klingen blockieren seltener und sind leichter unter Kontrolle zu halten.
- g. **Verwenden Sie Gerät, Zubehör, Einsatz-Bits usw. entsprechend diesen Anweisungen und berücksichtigen Sie dabei die Arbeitsbedingungen und die auszuführende Arbeit.** Der Gebrauch von Geräten für andere als die vorgesehenen Zwecke kann zu gefährlichen Situationen führen.
- h. **Halten Sie die Griffe trocken, sauber und frei von Öl und Fett. Rutschige Griffe und Oberflächen unterbinden die sichere Bedienbarkeit und Kontrolle über das Werkzeug in unerwarteten Situationen.**
5. **Gebrauch und Pflege von Akkuwerkzeugen**
- a. **Laden Sie den Akku nur mit dem vom Hersteller vorgesehenen Ladegerät auf.** Für ein Ladegerät, das nur für eine bestimmte Akkuart geeignet ist, besteht Brandgefahr, wenn es mit anderen Akkus verwendet wird.
- b. **Verwenden Sie nur die für das jeweilige Gerät vorgesehenen Akkus.** Die Verwendung anderer Akkus kann zu Verletzungen oder Bränden führen.
- c. **Bewahren Sie den Akku bei Nichtbenutzung nicht in der Nähe metallischer Objekte wie Büroklammern, Münzen, Schlüsseln, Nägeln oder Schrauben auf, da diese eine Verbindung zwischen beiden Polen des Akkus herstellen können.** Durch den dadurch entstehenden Kurzschluss kann der Akku in Brand geraten.
- d. **Bei falscher Anwendung kann Flüssigkeit aus dem Akku austreten. Vermeiden Sie den Kontakt damit. Bei unbeabsichtigtem Kontakt mit Wasser abspülen. Gelangt die Flüssigkeit in die Augen, ziehen Sie außerdem ärztliche Hilfe hinzu.** Austretende Akkuflüssigkeit kann zu Hautreizungen oder Verbrennungen führen.
- e. **Verwenden Sie keine Akkus oder Werkzeuge, die beschädigt sind oder modifiziert wurden.**

Beschädigte oder modifizierte Akkus können sich unvorhersehbar verhalten und stellen ein Risiko von Feuer, Explosionen oder Verletzungen dar.

- f. **Setzen Sie Akkus und Werkzeuge keinem Feuer oder extremen Temperaturen aus.** Die Einwirkung von Feuer oder Temperaturen über 130°C kann zu Explosionen führen.
- g. **Befolgen Sie alle Anweisungen zum Aufladen und laden Sie den Akku oder das Werkzeug nicht jenseits des in der Anleitung angegebenen Temperaturbereichs auf.** Das falsche Aufladen oder das Aufladen bei Temperaturen jenseits des angegebenen Bereichs kann den Akku beschädigen und das Brandrisiko erhöhen.
6. **Service**
- a. **Lassen Sie das Gerät nur von qualifiziertem Fachpersonal und nur mit Originalersatzteilen reparieren.** Damit wird sichergestellt, dass die Sicherheit des Geräts erhalten bleibt.
- b. **Führen Sie an beschädigten Akkus niemals Wartungsarbeiten durch.** Die Wartung von Akkus darf nur vom Hersteller oder von autorisierten Dienstleistern durchgeführt werden.

### Zusätzliche Sicherheitswarnungen für das Gerät



**Warnung!** Zusätzliche Sicherheitshinweise für alle Sägearten

### Vorgehen beim Sägen



**Halten Sie Ihre Hände von Sägebereich und Sägeblatt fern. Lassen Sie die zweite Hand fest am Zusatzhandgriff oder Motorgehäuse.** Wenn Sie die Säge mit beiden Händen halten, kann das Sägeblatt keine Verletzungen an den Händen verursachen.

- ◆ **Greifen Sie niemals unter das Werkstück.** Die Schutzvorrichtungen können Sie nicht vor dem Teil des Sägeblatts schützen, der sich unterhalb des Werkstücks befindet.
- ◆ **Stellen Sie die Schnitttiefe auf die Dicke des Werkstücks.** Unterhalb des Werkstücks sollte weniger als ein ganzer Sägezahn sichtbar sein.
- ◆ **Halten Sie das zu schneidende Werkstück niemals mit den Händen oder über den Beinen. Sichern Sie das Werkstück auf einer stabilen Plattform.** Es ist wichtig, das Werkstück richtig abzustützen, damit Ihr Körper geschützt wird, die Trennscheibe nicht festklemmt und Sie die Kontrolle behalten.
- ◆ **Halten Sie das Gerät nur an den isolierten Griffflächen, wenn Sie Arbeiten ausführen, bei denen das Sägeblatt ein verdecktes Kabel oder das Gerätekabel berühren könnte.**

Der Kontakt mit stromführenden Leitungen setzt auch offen liegende Metallteile am Gerät unter Strom und kann zu Stromschlägen führen.

- ◆ **Verwenden Sie beim Längsschneiden stets einen Parallelanschlag oder eine gerade Schnittführung.** Auf diese Weise wird die Genauigkeit des Schnitts verbessert, und die Gefahr, dass sich das Sägeblatt verklemmt, wird reduziert.
- ◆ **Verwenden Sie stets Sägeblätter der richtigen Größe und Form (Diamant kontra rund) der Wellenbohrungen.** Trennscheiben, die nicht zu den Befestigungsteilen der Säge passen, laufen exzentrisch, was zu einem Kontrollverlust führt.
- ◆ **Verwenden Sie niemals beschädigte oder falsche Unterlegscheiben oder einen beschädigten oder falschen Bolzen für das Sägeblatt.** Die Unterlegscheiben und der Bolzen für die Trennscheibe wurden speziell für Ihre Säge konstruiert, so dass eine optimale Leistung und Betriebssicherheit erzielt wird.

## Weitere Sicherheitsanweisungen für alle Sägen

### Rückschlagursachen und damit verbundene Sicherheitshinweise

- ◆ Ein Rückschlag ist die plötzliche Reaktion auf ein eingeklemmtes, hängendes oder falsch ausgerichtetes Sägeblatt. Dies führt dazu, dass sich die Säge unkontrolliert nach oben und aus dem Werkstück in Richtung Benutzer herausbewegt;
- ◆ Falls das Sägeblatt eingeklemmt wird oder durch den Schlitz hängen bleibt, so wird das Sägeblatt festgebremst, und durch die Reaktion des Motors wird die Einheit rasch zum Benutzer zurückgeschleunigt;
- ◆ Falls das Sägeblatt verdreht oder im Schnitt falsch ausgerichtet wird, so können sich die Zähne an der Hinterkante des Sägeblatts in die Oberfläche des Holzes graben, wodurch das Sägeblatt aus dem Schlitz "herausklettert" und in Richtung Benutzer zurückschnellt.

Rückschlag resultiert aus missbräuchlichem und/oder unsachgemäßem Betrieb der Säge oder ungeeigneten Bedingungen und kann durch die nachfolgenden Vorsichtsmaßnahmen vermieden werden.

- ◆ **Halten Sie die Säge mit beiden Händen fest, und positionieren Sie Ihre Arme so, dass Sie Rückschlägen entgegenwirken können. Positionieren Sie Ihren Körper auf einer der beiden Seiten des Sägeblatts, jedoch nicht in einer Reihe mit dem Sägeblatt.** Ein Rückschlag kann dazu führen, dass die Säge zurückschnellt; die Rückschlagkräfte können jedoch vom Bediener unter Kontrolle gehalten werden, wenn entsprechende Vorsichtsmaßnahmen getroffen werden.

- ◆ **Wenn das Sägeblatt klemmt oder Sie die Schneidarbeit aus sonstigen Gründen unterbrechen wollen, schalten Sie die Säge aus, und halten Sie sie bewegungslos im Material, bis das Sägeblatt vollständig zum Stillstand kommt. Versuchen Sie niemals, das Sägeblatt aus dem Werkstück zu entfernen oder nach hinten zu ziehen, während das Sägeblatt in Bewegung ist, da dies zu einem Rückschlag führen kann.** Untersuchen Sie den Fall und treffen Sie Abhilfemaßnahmen, um die Ursache des Hängens des Sägeblatts zu beseitigen.
- ◆ **Wird eine Säge im Werkstück wieder in Betrieb genommen, zentrieren Sie das Sägeblatt im Schlitz und vergewissern Sie sich, dass die Sägeblattzähne nicht in das Material eingreifen.** Wenn das Sägeblatt klemmt, kann es beim erneuten Einschalten nach oben gehoben werden, oder es kann zu einem Rückschlag vom Werkstück kommen.
- ◆ **Stützen Sie große Platten ab, damit das Sägeblatt nicht eingeklemmt wird und kein Rückschlag entsteht.** Große Platten neigen zum Durchbiegen unter ihrem eigenen Gewicht. Unter der Platte in der Nähe der Schnittlinie und in der Nähe der Plattenkante müssen auf beiden Seiten Stützen platziert werden.
- ◆ **Verwenden Sie niemals stumpfe oder beschädigte Sägeblätter.** Ungeschärfte oder falsch geschränkte Sägeblätter erzeugen einen schmalen Sägeschlitz. Die Folge sind übermäßige Reibung, Verklemmen des Sägeblatts und Rückschlag.
- ◆ **Die Sicherungshebel für die Sägeblatttiefe und –neigung müssen fest und gesichert sein, bevor der Schnitt durchgeführt wird.** Wenn sich die Sägeblatteinstellung beim Schneiden ändert, kann dies zu Klemmen und Rückschlag führen.
- ◆ **Gehen Sie beim Sägen in Wände oder sonstige unübersichtliche Bereiche besonders vorsichtig vor.** Das hervorstehende Sägeblatt kann Gegenstände durchtrennen und zu Rückschlägen führen.

### Funktion der unteren Schutzvorrichtung

- ◆ **Überprüfen Sie vor jedem Gebrauch, dass die untere Schutzvorrichtung einwandfrei schließt. Betreiben Sie die Säge nicht, falls sich die untere Schutzvorrichtung nicht ungehindert bewegt und nicht sofort schließen lässt. Spannen oder binden Sie die untere Schutzvorrichtung niemals in der geöffneten Stellung fest.** Wird die Säge versehentlich fallengelassen, so kann sich die untere Schutzvorrichtung verbiegen. Heben Sie die untere Schutzvorrichtung am Einzugshebel an und vergewissern Sie sich, dass sie sich ungehindert bewegt und nicht das Sägeblatt oder andere Teile berührt. Dies gilt für alle Winkel und Schnitttiefen.

- ◆ **Überprüfen Sie die Funktion der Feder für die untere Schutzvorrichtung. Falls Schutzvorrichtung und Feder nicht einwandfrei funktionieren, so müssen diese Teile vor dem Gebrauch instandgesetzt werden.** Möglicherweise arbeitet die untere Schutzvorrichtung aufgrund beschädigter Teile, Harzablagerungen oder einer Ansammlung von Spänen schwergängig.
- ◆ **Die untere Schutzvorrichtung sollte nur bei speziellen Schnitten wie Eintauch- und Verbundschnitten von Hand zurückgezogen werden.** Heben Sie die untere Schutzvorrichtung an, indem Sie den Einzugshebel einfahren, und sobald das Sägeblatt in den Werkstoff tritt, muss die untere Schutzvorrichtung freigegeben werden. Bei allen anderen Sägearbeiten muss die untere Schutzvorrichtung automatisch arbeiten.
- ◆ **Achten Sie stets darauf, dass die untere Schutzvorrichtung das Sägeblatt abdeckt, bevor die Säge auf der Werkbank oder dem Boden abgesetzt wird.** Ein ungeschützt auslaufendes Sägeblatt löst eine Rückwärtsbewegung der Säge aus und zerschneidet alles, was sich im Weg befindet. Seien Sie sich darüber im Klaren, dass es einige Zeit dauert, bis das Sägeblatt zum Stillstand kommt, nachdem der Schalter losgelassen wurde.

### Sicherheit anderer Personen

Lassen Sie diese Maschine niemals von Kindern, Personen mit eingeschränkten körperlichen, sensorischen oder geistigen Fähigkeiten oder mangelnder Erfahrung und Wissen in Bezug auf diese Anweisungen bedienen, beachten Sie lokale Richtlinien, in denen unter Umständen ein Mindestalter für den Bediener festgelegt ist.

### Restrisiken

Beim Gebrauch dieses Geräts verbleiben zusätzliche Restrisiken, die möglicherweise nicht in den Sicherheitswarnungen genannt werden. Diese Risiken bestehen beispielsweise bei Missbrauch oder längerem Gebrauch.

Auch bei der Einhaltung der entsprechenden Sicherheitsvorschriften und der Verwendung aller Sicherheitsgeräte bestehen weiterhin bestimmte Restrisiken. Diese sind:

- ◆ Verletzungen, die durch das Berühren von sich drehenden/bewegenden Teilen verursacht werden.
- ◆ Verletzungen, die durch das Austauschen von Teilen, Messern oder Zubehör verursacht werden.
- ◆ Der längere Gebrauch eines Geräts kann Verletzungen zur Folge haben. Legen Sie bei längerem Gebrauch regelmäßige Pausen ein.
- ◆ Schwerhörigkeit.
- ◆ Gesundheitsrisiken durch das Einatmen von Staub beim Gebrauch des Geräts (z. B. bei Holzarbeiten, insbesondere Eiche, Buche und Pressspan).

### Vibration

Die in den Abschnitten "Technische Daten" und "EU-Konformitätserklärung" angegebenen Werte für die Vibrationsemission wurden mit einer Standard-Prüfmethode nach EN62841 ermittelt und können zum Vergleich verschiedener Geräte herangezogen werden. Außerdem kann mit Hilfe dieses Werts die Belastung bei Verwendung des Geräts schon im Voraus eingeschätzt werden.

**Warnung!** Die bei Verwendung des Geräts auftretende Vibrationsemission hängt von der Art des Gerätegebrauchs ab und kann dementsprechend von dem angegebenen Wert abweichen. Gegebenenfalls kann die Vibration über dem angegebenen Wert liegen.

Für die Ermittlung der Vibrationsbelastung müssen die tatsächlichen Einsatzbedingungen und Verwendungen des Geräts während des gesamten Arbeitsgangs berücksichtigt werden, einschließlich der Zeiten, wenn das Gerät nicht verwendet oder im Leerlauf betrieben wird. Diese Werte werden benötigt, um die gemäß 2002/44/EG erforderlichen Sicherheitsmaßnahmen zum Schutz von Personen festlegen zu können.

### Etiketten am Werkzeug

Am Gerät sind die folgenden Piktogramme inkl. Datumscode angebracht:



**Warnung!** Lesen Sie vor Gebrauch die Anleitung. Andernfalls besteht Verletzungsgefahr.

### Zusätzliche Sicherheitshinweise für Akkus und Ladegeräte (falls vorhanden)

#### Akkus (falls vorhanden)

- ◆ Keinesfalls versuchen, den Akku zu öffnen.
- ◆ Achten Sie darauf, dass der Akku nicht mit Wasser in Berührung kommt.
- ◆ Nicht bei Temperaturen über 40 °C lagern.
- ◆ Laden Sie den Akku ausschließlich bei Umgebungstemperaturen zwischen 10 °C und 40 °C.
- ◆ Verwenden Sie ausschließlich das mitgelieferte Ladegerät.
- ◆ Bei der Entsorgung von Akkus oder Batterien die Hinweise im Abschnitt "Umweltschutz" beachten.

#### Ladegeräte (falls vorhanden)

- ◆ Verwenden Sie das BLACK+DECKER Ladegerät nur für den Akku des Werkzeugs, mit dem es geliefert wurde. Andere Akkus können platzen und Sachschäden oder Verletzungen verursachen.
- ◆ Versuchen Sie keinesfalls, nicht aufladbare Batterien zu laden.
- ◆ Lassen Sie beschädigte Kabel sofort austauschen.



- ◆ Achten Sie darauf, dass das Ladegerät nicht mit Wasser in Berührung kommt.
- ◆ Versuchen Sie nicht, das Ladegerät zu öffnen.
- ◆ Nehmen Sie am Ladegerät keine Veränderungen vor.



Das Ladegerät darf nur im Innenbereich verwendet werden.



Vor Gebrauch die Anleitung lesen.

## Elektrische Sicherheit



Das Ladegerät ist schutzisoliert, daher ist keine Erdleitung erforderlich. Stellen Sie sicher, dass die Netzspannung der auf dem Typenschild des Geräts angegebenen Spannung entspricht. Ersetzen Sie das Ladegerät keinesfalls durch ein normales Netzkabel.

- ◆ Bei einer Beschädigung des Netzkabels muss dieses durch den Hersteller oder eine BLACK+DECKER-Werkstatt ausgetauscht werden, um mögliche Gefahren zu vermeiden.

## Merkmale

Dieses Gerät verfügt über einige oder alle der folgenden Merkmale:

1. Haupthandgriff
2. Schalterarretierung
3. Abzug (Ein-/Ausschalter)
4. Akku (falls vorhanden)
5. Schuh
6. Tiefeneinstellknopf
7. Zusatzgriff
8. Obere Schutzvorrichtung
9. Gehrungseinstellskala
10. Sägeblatt
11. Untere Sägeblattschutzvorrichtung
12. Tiefeneinstellskala
13. Arretierwerkzeug
14. Spanabsauganschluss
15. Gehrungseinstellknopf
16. Spindelverriegelung

## Ladeverfahren (falls zutreffend)

BLACK+DECKER Ladegeräte sind nur dazu vorgesehen, BLACK+DECKER Akkus aufzuladen.

- ◆ Setzen Sie das Ladegerät in eine geeignete Steckdose ein, bevor Sie den Akku einsetzen.
- ◆ Setzen Sie den Akku in das Ladegerät ein.
- ◆ Die grüne LED blinkt, wenn der Akku geladen wird.
- ◆ Der Abschluss des Ladevorgangs wird dadurch angezeigt, dass die grüne LED dauerhaft leuchtet. Der Akku ist vollständig aufgeladen und kann jetzt verwendet oder in der Ladestation gelassen werden.

**Hinweis:** Laden Sie entladene Akkus so bald wie möglich nach dem Gebrauch wieder auf, da sonst die Batteriebensdauer stark verringert werden kann. Um die maximal Akkulaufzeit zu erreichen, sollte der Akku nicht vollständig entladen werden.

Es wird empfohlen, den Akku nach jedem Gebrauch aufzuladen.

## Akku im Ladegerät lassen (falls zutreffend)

Sie können den Akku auch im Ladegerät belassen. In diesem Fall leuchtet die LED-Anzeige dauerhaft. Das Ladegerät hält den Akku in einem vollständig geladenen Zustand.

## Wichtige Hinweise zum Aufladen (falls zutreffend)

- ◆ Die längste Lebensdauer und beste Leistung wird erhalten, wenn der Akku bei einer Lufttemperatur zwischen 18° und 24°C aufgeladen wird. Laden Sie den Akku NICHT bei einer Umgebungstemperatur unter +4,5°C oder über +40,5°C auf. Dies ist wichtig und verhindert schwere Schäden am Akku.
- ◆ Das Ladegerät und der Akku können sich während des Ladevorgangs warm anfühlen. Dies ist ein normaler Zustand und weist nicht auf ein Problem hin. Um das Abkühlen des Akkus nach dem Gebrauch zu erleichtern, platzieren Sie das Ladegerät und den Akku nicht in einer warmen Umgebung, wie beispielsweise in einem Metallschuppen oder einem nicht isolierten Wohnwagen.
- ◆ Wenn der Akku nicht richtig aufgeladen wird:
  - ◆ Prüfen Sie, ob die Steckdose unter Spannung steht, indem Sie eine Lampe oder ein anderes Gerät an die Steckdose anschließen.
  - ◆ Überprüfen Sie, ob die Steckdose mit einem Lichtschalter verbunden ist, der auch das Gerät ausschaltet, wenn das Licht ausgeschaltet wird.
  - ◆ Bringen Sie Ladegerät und Akku an einen Ort, wo die Umgebungstemperatur ca. 18°-24°C beträgt.
  - ◆ Wenn die Ladeprobleme bestehen bleiben, bringen Sie Werkzeug, Akku und Ladegerät zu Ihrer lokalen Vertragswerkstatt.
- ◆ Der Akku sollte aufgeladen werden, wenn das Gerät nicht mehr die volle Leistung bringt. Betreiben Sie das Werkzeug in diesem Fall NICHT WEITER. Befolgen Sie die Anweisungen bezüglich des Aufladens. Sie können auch jederzeit einen teilweise entleerten Akku aufladen, ohne dass dies nachteilige Auswirkungen auf den Akku hat.
- ◆ Leitfähige Fremdmaterialien, z.B. unter anderem Stahlwolle, Alufolie oder angesammelte Metallpartikel, sollten von Hohlräumen des Ladegeräts ferngehalten werden. Ziehen Sie den Netzstecker des Ladegerätes immer aus der Steckdose, wenn kein Akku in der Vertiefung steckt. Ziehen Sie den Netzstecker des Ladegerätes vor dem Reinigen aus der Steckdose.

- ◆ Gerät keinem Spritzwasser aussetzen oder in Wasser oder andere Flüssigkeiten tauchen.

**Warnung!** Keine Flüssigkeiten in das Ladegerät gelangen lassen. Keinesfalls versuchen, den Akku zu öffnen. Wenn das Kunststoffgehäuse des Akkus Brüche oder Risse aufweist, bringen Sie es zum Recycling zu einer Vertragswerkstatt.

### Defekter Akku (falls vorhanden)

Wenn das Blinkmuster für einen defekten Akku zu sehen ist, laden Sie den Akku nicht weiter auf. Bringen Sie ihn zu einem Kundendienstzentrum oder einer Recycling-Sammelstelle.

### Verzögerung heißer/kalter Akku (falls vorhanden)

Wenn das Ladegerät erkennt, dass ein Akku zu heiß oder zu kalt ist, wird automatisch mit einer „Verzögerung heißer/kalter Akku“ begonnen, die den Ladevorgang so lange aussetzt, bis der Akku eine angemessene Temperatur erreicht hat. Das Ladegerät schaltet dann automatisch in den Lademodus. Diese Funktion gewährleistet eine maximale Lebensdauer des Akkus. Ein kalter Akku wird mit einer geringeren Geschwindigkeit geladen als ein warmer Akku. Der Akku wird während des gesamten Ladevorgangs mit der geringeren Geschwindigkeit geladen, die sich auch nicht erhöht, wenn der Akku wärmer wird.

### Anbringen und Entfernen des Akkus (falls vorhanden)

**Warnung!** Vergewissern Sie sich vor Ausführung der folgenden Schritte, dass das Gerät ausgeschaltet und vom Stromnetz getrennt ist, und dass das Sägeblatt zum Stillstand gekommen ist.

#### Einsetzen des Akkus (Abb. A)

- ◆ Setzen Sie den Akku wie in Abbildung A gezeigt in das Werkzeug ein. Achten Sie darauf, dass der Akku vollständig eingesetzt und eingerastet ist.
- ◆ Stellen Sie sicher, dass der Akku vollständig eingesetzt und eingerastet ist.

#### Entnehmen des Akkus (Abb. B)

- ◆ Drücken Sie den Akku-Löseknopf wie in Abbildung B gezeigt und ziehen Sie den Akku aus dem Werkzeug.

### Abstützen großer Platten/Sichern des Werkstücks (Abb. C)

- ◆ Stützen Sie große Platten ab, um ein mögliches Verklemmen oder Rückschlagen des Sägeblatts zu vermeiden. Große Platten neigen zum Durchbiegen unter ihrem eigenen Gewicht, siehe Abb. C.
- ◆ Unter der Platte in der Nähe der Schnittlinie und in der Nähe der Plattenkante müssen auf beiden Seiten Stützen platziert werden, siehe Abb. C.

- ◆ Halten Sie das zu schneidende Werkstück niemals mit den Händen oder über den Beinen, siehe Abb. D.
- ◆ Sichern Sie das Werkstück auf einer stabilen Plattform, siehe Abb. E. Es ist wichtig, das Werkstück richtig abzustützen, damit Ihr Körper geschützt wird, die Trennscheibe nicht festklemmt und Sie die Kontrolle behalten.

### Einstellen der Schnitttiefe - (Abb. F - G)

- ◆ Die Schnitttiefe sollte an die Dicke des Werkstücks angepasst werden.
- ◆ Lockern Sie den Tiefeneinstellknopf (6), um den Sägeschuh (5) freizugeben, siehe Abb. F.
- ◆ Bringen Sie den Sägeschuh in die gewünschte Position. Die entsprechende Schnitttiefe kann auf der Skala (12) abgelesen werden.
- ◆ Stellen Sie die Tiefe der Säge so ein, dass ein Zahn (10) des Sägeblatts unterhalb des Werkstücks (16) hervorsteht, siehe Abb. G.
- ◆ Ziehen Sie den Hebel fest, um den Sägeschuh in der geänderten Position zu sichern.

### Gehrungswinkeleinstellung - (Abb. K)

Dieses Werkzeug kann für Gehrungsschnitte mit einem Winkel von 0° bis 50° eingestellt werden.

- ◆ Lockern Sie den Gehrungseinstellknopf (14), um den Sägeschuh (5) freizugeben.
- ◆ Bringen Sie den Sägeschuh (5) in die gewünschte Position. Der entsprechende Schrägwinkel kann auf der Skala (9) abgelesen werden.
- ◆ Schrauben Sie den Gehrungseinstellknopf (15) fest, um den Sägeschuh in der geänderten Position zu sichern.
- ◆ Stellen Sie die Genauigkeit der Einstellung sicher, indem Sie den Gehrungswinkel des Schnittes an einem Abfallstück überprüfen.

### Schuhjustierung für 90°-Schnitte

Der Schuh (5) wurde im Werk so eingestellt, dass er gewährleistet, dass das Sägeblatt bei einer Gehrungseinstellung von 0° senkrecht zum Schuh steht.

WENN EINE NEUAUSRICHTUNG ERFORDERLICH IST:

- ◆ Stellen Sie einen Gehrungswinkel von 0° ein.
- ◆ Ziehen Sie die Sägeblattschutzvorrichtung (11) zurück.
- ◆ Lockern Sie den Gehrungseinstellknopf (15). Stellen Sie ein Winkelmaß gegen das Sägeblatt (10) und den Schuh (5), um die 90°-Einstellung abzugleichen.
- ◆ Lösen Sie die Kontermutter (16) und verstellen Sie die Einstellschraube (19) (kleine Abb. H) so, dass der Schuh im richtigen Winkel anschlägt. Ziehen Sie die Kontermutter wieder gegen den Schuh an, während Sie die Einstellschraube in ihrer Position halten.

- ◆ Stellen Sie die Genauigkeit der Einstellung sicher, indem Sie die Rechtwinkligkeit des Schnittes an einem Abfallstück überprüfen.

### Anbringen und Entfernen des Sägeblatts (Abb. I - J)

- ◆ Ziehen Sie die untere Schutzvorrichtung zurück und montieren Sie Sägeblatt (10) und Klemmscheibe (20) wie in Abbildung I gezeigt.
- ◆ Drücken Sie die Spindelarreterierung (16) herunter, während Sie die Sägeblattschraube (21) mit dem Arretierwerkzeug (13) drehen, bis das Sägeblatt einrastet und sich nicht mehr dreht.

**Hinweis:** Die Schraube hat ein Linksgewinde. Zum Lösen im Uhrzeigersinn drehen. Zum Befestigen gegen den Uhrzeigersinn drehen.

**Hinweis:** Verwenden Sie keinesfalls die Sägeblatтарыetterierung, während sich die Säge dreht oder um diese anzuhalten. Schalten Sie das Gerät keinesfalls bei betätigter Sägeblatтарыetterierung ein.

Dies kann zu schweren Schäden an Ihrer Säge führen.

### Untere Sägeblattschutzvorrichtung

**Warnung!** Gefahr von schweren Schnittverletzungen. Die untere Sägeblattschutzvorrichtung ist eine Sicherheitsmaßnahme, die das Risiko von schweren Verletzungen reduziert. Verwenden Sie die Säge niemals, wenn die untere Schutzvorrichtung fehlt, beschädigt oder falsch montiert ist oder nicht richtig funktioniert. Verlassen Sie sich nicht darauf, dass die untere Sägeblattschutzvorrichtung Sie unter allen Umständen schützt.

Ihre Sicherheit hängt davon ab, dass Sie alle Warnungen und Vorsichtsmaßnahmen beachten und dass die Säge ordnungsgemäß funktioniert. Überprüfen Sie vor jedem Gebrauch, dass die untere Schutzvorrichtung richtig schließt, wie in „Zusätzliche Sicherheitsanweisungen für Kreissägen“ beschrieben. Wenn die untere Sägeblattschutzvorrichtung fehlt oder nicht richtig funktioniert, lassen Sie die Säge vor der Benutzung warten. Um die Sicherheit und Zuverlässigkeit zu gewährleisten, sollten Reparaturen, Wartungsarbeiten und Einstellungen von einer autorisierten Kundendienststelle oder einer anderen qualifizierten Kundendienstorganisation durchgeführt werden, wobei immer Originalersatzteile verwendet werden müssen.

**Warnung!** Zur Reduzierung der Gefahr von Augenverletzungen immer einen Augenschutz tragen. Fremdkörper im Werkstück, beispielsweise Draht oder Nägel, können dazu führen, dass die Spitzen reißen oder brechen. Betreiben Sie die Säge nur, wenn ein angemessener Sägeblattschutz angebracht ist. Montieren Sie das Sägeblatt vor der Verwendung so, dass es sich korrekt drehen kann, und verwenden Sie immer ein sauberes, scharfes Sägeblatt.

**Warnung!** Um das Risiko von Verletzungen zu reduzieren, ist es wichtig, das Werkstück richtig abzustützen und die Säge festzuhalten, um einen Verlust der Kontrolle und daraus folgende Verletzungen zu verhindern. Abbildung E zeigt die typische Abstützung durch die Hände.

### Verwendung

**Warnung!** Um die Gefahr schwerer Verletzungen zu vermeiden, lesen, verstehen und befolgen Sie vor der Verwendung des Werkzeugs alle wichtigen Sicherheitshinweise und Anweisungen.

### Auswahl des Sägeblatts

Ihre Kreissäge ist für den Einsatz mit Sägeblättern mit einem Durchmesser von 140 x 2 mm und einer Bohrung von 12,7 mm Durchmesser ausgelegt. Die Sägeblätter müssen für einen Betrieb bei 7000 U/min (oder höher) ausgelegt sein. Verwenden Sie KEINE Schleifscheiben.

### Allgemeine Schritte

**Warnung!** Um das Verletzungsrisiko zu verringern, entfernen Sie den Akku und befolgen Sie alle Montage-, Einstell- und Einrichtungsanweisungen.

Stellen Sie sicher, dass die untere Schutzvorrichtung funktioniert. Wählen Sie das geeignete Sägeblatt für das zu schneidende Material.

- ◆ Vermessen und markieren Sie das zu sägende Werkstück.
- ◆ Stützen Sie die Werkstücke ab und sichern Sie sie angemessen (siehe Sicherheitsanweisungen).
- ◆ Verwenden Sie geeignete und erforderliche Sicherheitsausrüstung (siehe Sicherheitsanweisungen).
- ◆ Sichern Sie den Arbeitsbereich und halten Sie ihn ausgeräumt (siehe Sicherheitsanweisungen).
- ◆ Setzen Sie den Akku ein und überprüfen Sie, ob der Schalter die Säge ein- und ausschaltet.

### Schalter

Die Säge verfügt über eine Einschaltsperrung, um unbeabsichtigtes Einschalten zu verhindern.

- ◆ Um das Werkzeug zu bedienen, betätigen Sie die Schalterarreterierung (2) von einer Seite der Säge aus und halten Sie sie fest, während Sie den Auslöseschalter (3) eindrücken.
- ◆ Nachdem Sie den Auslöser gedrückt haben und das Werkzeug läuft, lassen Sie die Schalterarreterierung los.
- ◆ Das Werkzeug läuft weiter, solange der Auslöser eingedrückt wird.
- ◆ Zum Ausschalten des Gerätes lassen Sie den Auslöseschalter los.

**Hinweis:** Dieses Werkzeug verfügt nicht über eine Vorrichtung zum Sperren des eingeschalteten Werkzeugs und der Schalter darf keinesfalls durch andere Methoden in der ON-Position gesperrt werden.

**Automatische elektrische Bremse**

Ihre Säge ist mit einer elektrischen Sägeblattbremse ausgestattet, die das Sägeblatt innerhalb von 1-2 Sekunden nach Loslassen des Auslösers anhält. Dies erfolgt automatisch und erfordert keine spezielle Einstellung.

**Sägen**

**Warnung!** Zur Reduzierung des Risikos schwerer Verletzungen muss das Gerät immer mit beiden Händen gehalten werden.

- ◆ Lassen Sie das Sägeblatt einige Sekunden frei drehen, bevor Sie mit der Arbeit beginnen.
- ◆ Üben Sie während des Sägens nur einen geringen Druck auf das Gerät aus.
- ◆ Drücken Sie den Sägeblattschuh gegen das Werkstück.

**Hinweise für optimale Arbeitsergebnisse**

- ◆ Da Absplitterungen an der Schnittlinie auf der Oberseite des Werkstücks nicht zu vermeiden sind, schneiden Sie auf der Seite, auf der Absplitterungen akzeptabel sind.
- ◆ Um beispielsweise beim Schneiden von Laminat ein Splittern zu vermeiden, klemmen Sie eine Sperrholzplatte auf die Oberseite des Werkstücks.

**Sägen von Taschen (Abb. K)**

**Warnung!** Binden Sie den Sägeblattschutz nie in angehobener Stellung fest. Bewegen Sie die Säge bei Taschenschnitten niemals rückwärts. Dadurch kann sich das Gerät von der Arbeitsfläche heben, was Verletzungen verursachen könnte. Ein Taschenschnitt wird gemacht, indem die Kante des Materials die untere Schutzvorrichtung nicht aufschiebt, sondern der untere Rand des rotierenden Sägeblatts in die Mitte des Materials schneidet.

- ◆ Stellen Sie den Schuh (5) so ein, dass das Sägeblatt in der gewünschten Tiefe schneidet.
- ◆ Kippen Sie die Säge nach vorne und lassen Sie das Vorderteil des Schuhs auf dem zu schneidenden Material ruhen.
- ◆ Ziehen Sie mit Hilfe des Rückzughebels die untere Schutzvorrichtung in eine nach oben gerichtete Position zurück. Senken Sie die Rückseite des Schuhs ab, bis die Sägeblattzähne fast die Schnittlinie berühren.
- ◆ Lassen Sie den Sägeblattschutz los. (Dessen Kontakt mit dem Werkstück hält ihn in seiner Position, so dass er sich beim Beginn des Schnitts frei öffnen kann.)
- ◆ Nehmen Sie die Hand vom Hebel der Schutzvorrichtung und halten Sie den Zusatzgriff (7) wie in Abbildung N gezeigt fest. Positionieren Sie Ihren Körper und Ihren Arm so, dass Sie einem eventuellen Rückschlag standhalten können.
- ◆ Stellen Sie vor dem Schneiden sicher, dass das Sägeblatt keinen Kontakt mit der Schnittfläche hat.

- ◆ Starten Sie den Motor, lassen Sie die Säge ihre volle Geschwindigkeit erreichen und senken Sie die Säge allmählich ab, bis ihr Schuh flach auf dem zu schneidenden Material liegt. Bewegen Sie die Säge wie in Abbildung K gezeigt entlang der Schnittlinie, bis der Schnitt fertiggestellt ist.
- ◆ Geben Sie den Auslöser frei und lassen Sie das Sägeblatt vollständig anhalten, bevor Sie es aus dem Material zurückziehen.
- ◆ Gehen Sie beim Beginn jedes neuen Schnitts wieder wie oben beschrieben vor.

**Fehlerbehebung**

Problem	Mögliche Ursache	Mögliche Lösung
<b>Gerät startet nicht.</b>	Akku wurde nicht ordnungsgemäß angebracht.	Prüfen Sie, ob der Akku richtig angebracht wurde.
	Akku nicht geladen.	Prüfen Sie die erforderliche Ladekapazität.
<b>Der Motor blockiert beim Mähen.</b>	Akku befindet sich nicht im Ladegerät.	Führen Sie den Akku in das Ladegerät ein, bis die LED leuchtet.
	Das Ladegerät ist nicht mit dem Stromnetz verbunden.	Stecken Sie den Stecker des Ladegeräts in eine aktive Steckdose. Weitere Details finden Sie unter „Wichtige Hinweise zum Aufladen“.
	Umgebungstemperatur zu hoch oder zu niedrig.	Bringen Sie das Ladegerät und den Akku an einen Ort, der eine Umgebungstemperatur von über 4,5°C und unter +40,5°C aufweist.
<b>Das Gerät schaltet sich unerwartet aus.</b>	Der Akku hat seine thermische Belastungsgrenze erreicht.	Lassen Sie den Akku abkühlen.
	Akku ist entladen. (Um die Lebensdauer des Akkus zu maximieren, wurde er so konzipiert, dass er sich sofort abschaltet, wenn die Ladung aufgebraucht ist.)	Bringen Sie ihn am Ladegerät an, so dass er aufgeladen wird.

**Zubehör**

Das verwendete Zubehör hat wesentlichen Einfluss auf die Leistung des Geräts. Zubehörteile von BLACK+DECKER erfüllen höchste Qualitätsstandards und wurden speziell für die Verwendung mit Ihrem Gerät entwickelt. Bei Verwendung dieses Zubehörs erhalten Sie stets optimale Ergebnisse.

**Wartung**

Ihr Gerät wurde im Hinblick auf eine lange Lebensdauer und einen möglichst geringen Wartungsaufwand entwickelt. Ein kontinuierlicher, zufriedenstellender Betrieb hängt von der richtigen Pflege des Gerätes und seiner regelmäßigen Reinigung ab.

**Warnung!** Schalten Sie das Gerät vor der Durchführung von Pflege-, Reinigungs- und Wartungsarbeiten aus, und ziehen Sie den Netzstecker.

- ◆ Reinigen Sie regelmäßig die Lüftungsschlitze des Geräts mit Hilfe einer weichen Bürste oder eines trockenen Tuchs.
- ◆ Reinigen Sie das Motorgehäuse regelmäßig mit einem feuchten Tuch. Verwenden Sie keine scheuernden Reinigungsmittel oder Reinigungsmittel auf Lösungsmittelbasis.

## Umweltschutz



Getrennte Entsorgung. Produkte und Akkus mit diesem Symbol dürfen nicht mit dem normalen Hausmüll entsorgt werden.

Produkte und Akkus enthalten Materialien, die wiederverwertet werden können, um den Bedarf an Rohstoffen zu verringern. Bitte recyceln Sie elektrische Produkte und Akkus gemäß den örtlichen Bestimmungen. Weitere Informationen finden Sie auf [www.2helpU.com](http://www.2helpU.com)

## Technische Daten

BDCCS18 H1		
Eingangsspannung	$V_{AC}$	18
Leerlaufdrehzahl	$\text{min}^{-1}$	3700 U/MIN
Maximale Schnitttiefe	mm	43
Maximale Schnitttiefe bei 45° Gehrungswinkel	mm	35
Sägeblattdurchmesser	mm	140
Sägeblattbohrung	mm	12,7
Breite der Sägezähne	mm	2,0
Gewicht	kg	2,08

Ladegerät		905902**/ N4940**	905998**/ 906349**
Eingangsspannung	$V_{AC}$	100-240	220-240
Ausgangsspannung	$V_{DC}$	8-20	8-20
Strom	mA	400	1000
Geschätzte Ladedauer	Stunden	3-11	1.5-5

Akku (wo geliefert)		BL2018*	BL1518*	BL4018
Voltage	$V_{DC}$	18	18	18
Capacity	Ah	2.0	1.5	4.0
Type		Li-Ion	Li-Ion	Li-Ion

$L_{pA}$ (Schalldruck) 76,0 dB(A), Unsicherheitsfaktor (K) 3 dB(A)
$L_{WA}$ (Schallleistung) 87,0 dB(A), Unsicherheitsfaktor (K) 3 dB(A)
Gesamtvibration (Triax-Vektorsumme) gemäß EN 62841:
Holzschneiden ( $a_{h,w}$ ) 1,5 $\text{m/s}^2$ , Unsicherheitsfaktor (K) 1,5 $\text{m/s}^2$

## EU-Konformitätserklärung MASCHINENRICHTLINIE



### BDCCS18 Kreissäge

Black & Decker erklärt, dass die in den technischen Daten beschriebenen Geräte übereinstimmen mit:  
EN62841-1:2015, EN62841-2-5:2014.

Diese Produkte entsprechen außerdem den Richtlinien 2006/42/EC, 2014/30/EU und 2011/65/EU. Weitere Informationen erhalten Sie von Black & Decker unter der folgenden Adresse. Diese befindet sich auch auf der Rückseite dieser Anleitung.

Der Unterzeichnete ist verantwortlich für die Zusammenstellung der technischen Daten und gibt diese Erklärung im Namen von Black & Decker ab.

A. P. Smith  
Technical Director  
Black & Decker Europe, 270 Bath Road, Slough,  
Berkshire, SL1 4DX  
Vereinigtes Königreich  
30.04.2019

## Garantie

Black & Decker vertraut auf die Qualität der eigenen Geräte und bietet dem Käufer eine außergewöhnliche Garantie von 24 Monaten ab Kaufdatum. Diese Garantie versteht sich unbeschadet der gesetzlichen Gewährleistungsansprüche und schränkt diese keinesfalls ein. Diese Garantie gilt innerhalb der Staatsgebiete der Mitgliedstaaten der Europäischen Union und der Europäischen Freihandelszone.

Zur Inanspruchnahme dieser Garantie muss sie den allgemeinen Geschäftsbedingungen von Black & Decker entsprechen und dem Verkäufer bzw. der Vertragswerkstatt ist ein Kaufnachweis vorzulegen. Die Bedingungen für die 2-jährige Garantie von Black&Decker und den Standort Ihrer nächstgelegenen Vertragswerkstatt finden Sie im Internet unter [www.2helpU.com](http://www.2helpU.com) oder indem Sie sich an die lokale Black&Decker-Niederlassung wenden, deren Adresse Sie in dieser Anleitung finden.

Ihr neues Black & Decker Produkt können Sie auf unserer Website unter [www.blackanddecker.de](http://www.blackanddecker.de) registrieren. Dort erhalten Sie auch Informationen über neue Produkte und Sonderangebote.

## Utilisation prévue

Votre scie circulaire BLACK+DECKER BDCCS18 a été conçue pour scier du bois et des articles en bois. Cet outil est destiné à un usage grand public uniquement.

## Consignes de sécurité

### Avertissements de sécurité générale liés aux outils électriques



**Avertissement ! Veuillez lire tous les avertissements de sécurité, toutes les instructions, toutes les illustrations et toutes les spécifications fournies avec cet outil électrique.**

Le non-respect des avertissements et des instructions listés ci-dessous peut entraîner des chocs électriques, des incendies et/ou de graves blessures.

**Conservez tous les avertissements et toutes les instructions afin de pouvoir vous y référer dans le futur.** Le terme "outil électrique" mentionné dans tous les avertissements listés ci-dessous fait référence à vos outils électriques branchés sur secteur (avec câble) ou fonctionnant sur pile ou batterie (sans fil).

#### 1. Sécurité de la zone de travail

- a. **Maintenez la zone de travail propre et bien éclairée.**  
Les zones sombres ou encombrées sont propices aux accidents.
- b. **N'utilisez pas d'outils électriques dans un environnement présentant des risques d'explosion ou en présence de liquides, gaz ou poussières inflammables.** Les outils électriques créent des étincelles qui peuvent enflammer les poussières et les fumées.
- c. **Maintenez les enfants et les autres personnes éloignés lorsqu'un outil électrique est en marche.**  
Toute distraction peut vous faire perdre le contrôle de l'outil.

#### 2. Sécurité électrique

- a. **Les prises des outils électriques doivent correspondre à la prise de courant murale. Ne modifiez jamais la prise d'aucune sorte. N'utilisez aucun adaptateur avec des outils électriques reliés à la terre.** L'utilisation de prises d'origine et de prises murales appropriées permet de réduire le risque de choc électrique.
- b. **Évitez tout contact physique avec des surfaces reliées à la terre comme des tuyaux, des radiateurs, des fours et des réfrigérateurs par exemple.** Le risque de choc électrique augmente lorsque votre corps est relié à la terre.

- c. **N'exposez pas les outils électriques à la pluie, ni à l'humidité.** Le risque de choc électrique augmente si de l'eau pénètre dans un outil électrique.
- d. **Ne tirez pas sur le cordon d'alimentation. N'utilisez jamais le cordon pour transporter, tirer ou débrancher l'outil électrique. Maintenez le cordon éloigné de la chaleur, de substances grasses, de bords tranchants ou de pièces mobiles.** Les cordons endommagés ou emmêlés augmentent le risque de choc électrique.
- e. **Si vous utilisez un outil électrique à l'extérieur, utilisez une rallonge homologuée pour les travaux extérieurs.** L'utilisation d'une rallonge électrique homologuée pour les travaux en extérieur réduit le risque de choc électrique.
- f. **Si l'utilisation d'un outil électrique dans un endroit humide est inévitable, utilisez une alimentation électrique protégée par un disjoncteur différentiel à courant résiduel (DDR).** L'utilisation d'un disjoncteur différentiel réduit le risque de choc électrique.

#### 3. Sécurité des personnes

- a. **Restez vigilant, surveillez ce que vous faites et faites preuve de bon sens lorsque vous utilisez un outil électrique. N'utilisez pas d'outils électriques si vous êtes fatigué ou sous l'influence de drogue, d'alcool ou de médicaments.** Tout moment d'inattention pendant l'utilisation d'un outil électrique peut engendrer de graves blessures.
- b. **Portez des équipements de protection individuelle. Portez toujours une protection oculaire.**  
Les équipements de protection comme les masques à poussière, les chaussures de sécurité antidérapantes, les casques ou les protections auditives, utilisés à bon escient, réduisent le risque de blessures.
- c. **Empêchez tout démarrage intempestif. Assurez-vous que l'interrupteur est en position Arrêt avant de raccorder l'outil à l'alimentation électrique et/ou au bloc-batterie ou avant de ramasser ou de transporter l'outil.** Le fait de transporter les outils électriques le doigt sur l'interrupteur ou d'alimenter les outils électriques dont l'interrupteur est déjà en position de marche augmente les accidents.
- d. **Retirez toutes les clés ou pinces de réglage avant de mettre l'outil en marche.** Une clé ou une pince restée fixée sur une pièce rotative de l'outil électrique peut engendrer des blessures.
- e. **Ne vous penchez pas. Gardez les pieds bien ancrés au sol et conservez votre équilibre en permanence.** Cela permet de mieux maîtriser l'outil électrique en cas de situations imprévues.
- f. **Portez des vêtements appropriés. Ne portez aucun vêtement ample ou bijou. Gardez vos cheveux, vos vêtements et vos gants éloignés des pièces mobiles.**

- Les vêtements amples, les bijoux ou les cheveux longs peuvent être happés par les pièces mobiles.
- g. Si des dispositifs pour le raccordement d'un extracteur de poussières ou des installations pour la récupération sont présents, assurez-vous qu'ils sont correctement raccordés et utilisés.** L'utilisation de dispositifs récupérateurs de poussières réduit les risques liés aux poussières.
- h. Ne pensez pas être familiarisé avec l'outil après l'avoir utilisé à de nombreuses reprises, au point de ne plus rester vigilant et d'en oublier les consignes de sécurité. Toute action imprudente peut engendrer de graves blessures en une fraction de seconde.**
- 4. Utilisation et entretien des outils électriques**
- a. Respectez la capacité de l'outil. Utilisez l'outil approprié en fonction du travail à réaliser.** Un outil adapté fonctionne mieux, de façon plus sûre et à la cadence pour laquelle il a été conçu.
- b. N'utilisez pas l'outil électrique si son interrupteur ne permet pas de l'allumer ou de l'éteindre.** Tout outil électrique qui ne peut plus être commandé par son interrupteur est dangereux et doit être réparé.
- c. Débranchez la prise du secteur et/ou retirez le bloc-batterie de l'outil électrique avant d'effectuer tout réglage, de changer un accessoire ou de ranger l'outil électrique.** Ces mesures de sécurité préventives réduisent le risque de démarrage accidentel de l'outil électrique.
- d. Rangez les outils électriques non utilisés hors de portée des enfants et ne laissez aucune personne ne connaissant pas ces outils ou leurs instructions d'utilisation les faire fonctionner.** Les outils électriques peuvent être dangereux entre des mains inexpérimentées.
- e. Entretenez vos outils électriques et leurs accessoires. Vérifiez que les pièces mobiles sont alignées correctement et qu'elles ne sont pas coincées. Vérifiez qu'aucune pièce n'est cassée et contrôlez l'absence de toute autre condition qui pourrait nuire au bon fonctionnement de l'outil. En cas de dommage, faites réparer l'outil électrique avant de l'utiliser.** De nombreux accidents sont provoqués par des outils électriques mal entretenus.
- f. Maintenez les organes de coupe affûtés et propres.** Des organes de coupe bien entretenus et affûtés sont moins susceptibles de rester coincés et sont plus faciles à contrôler.
- g. Utilisez l'outil électrique, les accessoires et les embouts d'outils conformément à ces instructions, en tenant compte des conditions de travail, ainsi que du travail à effectuer.** L'utilisation d'un outil électrique à des fins autres que celles pour lesquelles il a été prévu engendre des situations dangereuses.
- h. Veillez à ce que les poignées et les surfaces de préhension restent sèches et propres, sans trace d'huile ou de graisse. Des poignées et des surfaces de préhension glissantes ne permettent pas de manipuler et de contrôler l'outil correctement en cas de situations inattendues.**
- 5. Utilisation et entretien de la batterie de l'outil**
- a. N'effectuez la recharge qu'à l'aide du chargeur spécifié par le fabricant.** Un chargeur adapté pour un type de bloc-batterie peut engendrer un risque d'incendie s'il est utilisé avec un bloc-batterie différent.
- b. N'utilisez les outils électriques qu'avec les blocs-batteries qui leurs sont dédiés.** L'utilisation d'un autre bloc-batterie peut engendrer des blessures et un incendie.
- c. Lorsque le bloc-batterie n'est pas utilisé, éloignez-le des objets en métal comme les trombones, les pièces de monnaies, les clés, les clous, les vis ou d'autres petits objets métalliques qui pourraient créer une liaison entre les deux bornes.** La mise en court-circuit des bornes d'une batterie peut provoquer des brûlures ou un incendie.
- d. Dans des conditions extrêmes, du liquide peut être éjecté de la batterie. Évitez tout contact avec ce liquide. En cas de contact accidentel, rincez à l'eau. En cas de contact avec les yeux, consultez un médecin.** Le liquide projeté de la batterie peut provoquer des irritations ou des brûlures.
- e. N'utilisez pas un bloc-batterie ou un outil endommagé ou modifié.** Une batterie endommagée ou altérée peut avoir un comportement imprévisible qui peut conduire à un incendie, une explosion ou un risque de blessure.
- f. N'exposez pas le bloc-batterie ou l'outil au feu ou à des températures excessives.** L'exposition au feu ou à des températures dépassant 265°F peut provoquer une explosion.
- g. Respectez les instructions de charge et ne rechargez pas le bloc-batterie ou l'outil à une plage de températures hors de celle spécifiée dans les instructions.** Une charge mal effectuée ou à des températures hors de la plage spécifiée peut endommager la batterie et augmenter le risque d'incendie.
- 6. Réparation**
- a. Faites réparer votre outil électrique par une personne qualifiée, n'utilisant que des pièces de rechange d'origine.** Cela permet de garantir la sûreté de l'outil électrique.
- b. Ne réparez jamais des blocs-batteries endommagés.** Les réparations sur les blocs-batteries ne doivent être effectuées que le fabricant ou l'un de ses prestataires de services agréés.

## Consignes de sécurité supplémentaires liées aux outils électriques



**Avertissement !** Avertissements de sécurité supplémentaires liés à l'ensemble des scies

### Procédures pour scier



**Tenez vos mains à distance de la zone de découpe et de la lame. Gardez votre deuxième main sur la poignée auxiliaire ou le bloc-moteur.** Si vous tenez la scie à deux mains, vous ne vous couperez pas avec la lame.

- ◆ **Ne passez pas les mains sous la pièce à scier.** Le protège-lame ne vous protège pas de la lame sous la pièce à scier.
- ◆ **Régalez la profondeur de coupe en fonction de l'épaisseur de la pièce à scier.** Moins d'une dent entière de la lame doit apparaître sous la pièce à scier.
- ◆ **Ne tenez jamais la pièce à scier dans vos mains ou entre vos jambes. Fixez la pièce à scier sur un support stable.** Il est important que la pièce soit correctement soutenue afin de minimiser les risques de blessures, de coincement de la lame ou de perte de contrôle.
- ◆ **Ne tenez l'outil électrique que par ses surfaces de préhension isolées lorsque vous intervenez là où l'organe de coupe peut entrer en contact avec des fils cachés ou son propre cordon.** Tout contact avec un fil sous tension peut mettre les parties métalliques exposées de l'outil sous tension et provoquer un choc électrique à l'utilisateur.
- ◆ **Pour les coupes longitudinales, utilisez toujours une garde longitudinale ou une règle de guidage.** Cela permet d'augmenter la précision de la coupe et réduit le risque de coincement de la lame.
- ◆ **Utilisez toujours des lames de taille et de forme adaptées au trou de l'axe (losange ou rond par exemple).** Les lames inadaptées aux éléments de fixation sur la scie tournent de façon excentrique et provoquent des pertes de contrôle.
- ◆ **N'utilisez jamais de rondelles ou de boulons de lame endommagés ou inadaptés à la lame.** Les rondelles et boulons de lame ont été spécialement conçus pour votre scie, pour des performances et une sûreté de fonctionnement optimales.

### Consignes de sécurité supplémentaires liées à toutes les scies

### Causes des rebonds et avertissements associés

- ◆ Le rebond est la réaction soudaine d'une lame de scie restée pincée, coincée ou mal orientée et qui provoque le soulèvement incontrôlé de la scie hors de la pièce à scier, vers l'utilisateur ;
- ◆ Si la lame reste pincée ou coincée dans un trait de scie refermé, elle cale et la réaction du moteur entraîne rapidement l'outil en arrière, vers l'utilisateur ;
- ◆ Si la lame de scie est tordue ou mal orientée dans la coupe, les dents sur le bord arrière de la lame peuvent creuser la surface du bois et ainsi faire remonter la lame hors du trait de scie et la propulser vers l'utilisateur

Le rebond est le résultat d'une mauvaise utilisation et/ou de procédures ou de conditions de fonctionnement de la scie inadaptées et il peut être évité en prenant les précautions indiquées ci-dessous.

- ◆ **Tenez fermement la scie à deux mains et placez vos bras de manière à pouvoir résister à la force d'un rebond. Positionnez toujours votre corps d'un côté ou de l'autre de la lame de scie mais jamais dans le prolongement de la lame.** Un rebond peut entraîner la scie vers l'arrière mais la force d'un rebond peut être contrôlée par l'utilisateur à condition de prendre les précautions nécessaires.
- ◆ **Quand la lame se coince ou quand la coupe est interrompue pour une raison quelconque, relâchez la gâchette et maintenez la scie dans la pièce à scier jusqu'à ce que la lame se soit complètement arrêtée. N'essayez jamais de sortir la scie de l'ouvrage ou de la tirer en arrière tant que la lame de scie est en mouvement ou qu'un rebond reste possible.** Effectuez des contrôles et prenez les mesures correctives adéquates afin de supprimer la cause du coincement de la lame.
- ◆ **Pour redémarrer une scie restée coincée dans l'ouvrage, centrez la lame de scie dans le trait de scie et vérifiez que ses dents ne sont pas engagées dans la matière.** Si la lame se coince, elle peut se soulever ou rebondir sur la pièce à scier au moment du redémarrage de la scie.
- ◆ **Soutenez les grands panneaux afin de minimiser le risque de coincement de la lame et un rebond.** Les grands panneaux ont tendance à s'affaisser sous leur propre poids. Les supports doivent être placés sous le panneau des deux côtés, près de la ligne de coupe et près des bords du panneau.
- ◆ **N'utilisez pas de lame émoussée ou endommagée.** Les lames émoussées ou mal installées réduisent le trait de scie entraînant un frottement excessif, la torsion de la lame et un rebond.
- ◆ **Les leviers de verrouillage pour le réglage de la profondeur et du biseau de la coupe doivent être bien serrés et fixés avant de scier.**



Si les réglages de la lame sautent pendant le sciage, la lame peut se coincer et provoquer un rebond.

- ◆ **Prenez toutes les précautions nécessaires lorsque vous sciez dans un mur existant ou dans des zones à l'aveugle.** La partie saillante de la lame peut couper des objets susceptibles de provoquer un rebond.

### Fonctionnement du protège-lame inférieur

- ◆ **Vérifiez que le protège-lame inférieur se referme correctement avant chaque utilisation. N'utilisez pas la scie si le protège-lame inférieur ne se déplace pas librement et qu'il ne se referme pas instantanément. Ne fixez et n'attachez jamais le protège-lame inférieur pour le garder en position ouverte.** En cas de chute accidentelle, le protège-lame peut se déformer. Soulevez le protège-lame à l'aide de la poignée rétractable, assurez-vous qu'il peut bouger librement et qu'il ne touche ni la lame de scie ni d'autres pièces de la machine, quel que soit l'angle ou la profondeur de coupe.
- ◆ **Vérifiez le bon fonctionnement du ressort du protège-lame inférieur. Si le protège-lame et le ressort ne fonctionnent pas correctement, ils doivent être réparés avant utilisation.** Des pièces endommagées, restes de colle ou accumulations de débris peuvent ralentir le fonctionnement du protège-lame inférieur.
- ◆ **Le protège-lame inférieur peut être rétracté manuellement pour effectuer des coupes spéciales uniquement, comme les "coupes plongeantes" ou les "coupes combinées".** Soulevez le protège-lame inférieur en rétractant la poignée et relâchez-le dès que la lame de scie pénètre dans la matière. Pour toutes les autres opérations de sciage, le protège-lame inférieur doit fonctionner automatiquement.
- ◆ **Ne placez jamais la scie sur un établi ou au sol si le protège-lame inférieur ne recouvre pas la lame de scie.** Une lame sans protection et encore en mouvement ramène la scie en arrière, sciant tout sur son passage. Tenez compte du temps nécessaire à la lame pour s'arrêter une fois l'interrupteur relâché.

### Sécurité des personnes

Ne laissez jamais les enfants, les personnes aux capacités physiques sensorielles ou mentales déficientes ou manquant d'expérience ou de connaissances ou les personnes non familiarisées avec ces instructions, utiliser la machine, la réglementation locale peut limiter l'âge de l'utilisateur.

### Risques résiduels

Certains risques résiduels autres que ceux mentionnés dans les avertissements sur la sécurité peuvent survenir en utilisant l'outil. Ces risques peuvent être provoqués par une utilisation incorrecte, prolongée, etc.

Malgré l'application des normes de sécurité pertinentes et la mise en œuvre de dispositifs de sécurité, certains risques résiduels ne peuvent pas être évités. Ils comprennent :

- ◆ Les blessures dues au contact avec les pièces mobiles/en rotation.
- ◆ Les blessures dues au changement de pièces, de lame ou d'accessoires.
- ◆ Les blessures dues à l'utilisation prolongée d'un outil. Lorsque vous utilisez un outil quel qu'il soit pendant de longues périodes, assurez-vous de faire des pauses régulières.
- ◆ Diminution de l'acuité auditive.
- ◆ Risques pour la santé dus à l'inhalation de poussières produites pendant l'utilisation de l'outil (exemple : travail avec du bois, surtout le chêne, le hêtre et les panneaux en MDF).

### Vibrations

La valeur des émissions de vibrations déclarée dans les caractéristiques techniques et la déclaration de conformité a été mesurée conformément à la méthode de test normalisée établie par la norme EN62841 et elle peut être utilisée pour comparer un outil à un autre. La valeur des émissions de vibrations déclarée peut aussi être utilisée pour une évaluation préliminaire à l'exposition.

**Avertissement !** En fonction de la manière dont l'outil est utilisé, la valeur des émissions de vibrations réelles pendant l'utilisation de l'outil peut différer de la valeur déclarée. Le niveau des vibrations peut dépasser le niveau déclaré. Quand l'exposition aux vibrations est évaluée afin de déterminer les mesures de sécurité requises par la norme 2002/44/CE pour protéger les personnes utilisant régulièrement des outils électriques, cette estimation doit tenir compte des conditions réelles d'utilisation et de la façon dont l'outil est utilisé. Il faut également tenir compte de toutes les composantes du cycle de fonctionnement comme la durée pendant laquelle l'outil est arrêté et quand il fonctionne au ralenti, ainsi que la durée du déclenchement.

### Étiquettes sur l'outil

Les pictogrammes qui suivent figurent sur l'outil avec le code date :



**Avertissement !** Afin de réduire le risque de blessures, l'utilisateur doit lire le manuel d'utilisation.

### Consignes de sécurité supplémentaires liées aux batteries et aux chargeurs (le cas échéant)

#### Batteries (le cas échéant)

- ◆ Ne tentez de les ouvrir sous aucun prétexte.
- ◆ N'exposez pas la batterie à l'eau.

- ◆ Ne la rangez pas dans des endroits où la température peut dépasser 40°C.
- ◆ Ne procédez à la charge qu'à une température ambiante comprise entre 10°C et 40°C.
- ◆ N'utilisez que le chargeur fourni avec l'outil.
- ◆ Pour la mise au rebut des batteries, respectez les instructions mentionnées à la section "Protection de l'environnement".

15. Bouton de réglage du biseau
16. Dispositif de verrouillage de l'axe

### Procédure de charge (le cas échéant)

Les chargeurs BLACK+DECKER sont conçus pour recharger les blocs-batteries BLACK+DECKER.

- ◆ Branchez le chargeur dans une prise appropriée avant d'insérer le bloc-batterie.
- ◆ Insérez le bloc-batterie dans le chargeur.
- ◆ Le voyant vert clignote pour indiquer que la batterie est en charge.
- ◆ La fin de la charge est indiquée par le voyant vert restant allumé en continu. Le bloc est alors complètement rechargé et il peut soit être utilisé, soit être laissé dans le chargeur.

**Remarque :** Rechargez les batteries déchargées dès que possible après utilisation pour ne pas grandement diminuer leur durée de vie. Pour augmenter la durée de vie de la batterie, ne la laissez pas se décharger complètement. Il est recommandé de recharger les batteries après chaque utilisation.

### Laisser la batterie dans le chargeur (le cas échéant)

Le chargeur et le bloc-batterie peuvent rester raccordés avec le voyant allumé en continu. Le chargeur maintient le bloc-batterie complètement chargé.

### Remarques importantes concernant la charge (le cas échéant)

- ◆ Une durée de vie plus longue et de meilleures performances peuvent être obtenues si le bloc-batterie est rechargé lorsque la température ambiante est comprise entre 18° et 24°C (65°F et 75°F). NE rechargez PAS le bloc-batterie à une température ambiante inférieure à +4,5°C (+40°F) ou supérieure à +40,5°C (+105°F). Ce point est important et évite l'endommagement grave du bloc-batterie.
- ◆ Le chargeur et le bloc-batterie peuvent devenir chauds au toucher pendant la charge. Ceci est normal et n'indique pas un problème. Afin de faciliter le refroidissement du bloc-batterie après utilisation, évitez de placer le chargeur ou le bloc-batterie dans un environnement chaud comme une remise métallique ou une remorque non isolée.
- ◆ Si le bloc-batterie ne se recharge pas correctement :
  - ◆ Vérifiez le courant au niveau de la prise murale en branchant une lampe ou un autre appareil.
  - ◆ Vérifiez que la prise de courant n'est pas reliée à un interrupteur coupant l'alimentation lorsqu'on éteint l'éclairage.
  - ◆ Déplacez le chargeur et le bloc-batterie dans un endroit où la température ambiante est comprise entre 18°C et 24°C (65°F - 75°F).

### Chargeurs (le cas échéant)

- ◆ N'utilisez votre chargeur BLACK+DECKER que pour recharger la batterie fournie avec l'outil. D'autres batteries pourraient exploser et provoquer des blessures et des dommages.
- ◆ Ne tentez jamais de recharger des piles non rechargeables.
- ◆ Remplacez immédiatement les cordons endommagés.
- ◆ N'exposez pas le chargeur à l'eau.
- ◆ N'ouvrez pas le chargeur.
- ◆ Ne sondez pas le chargeur.



Le chargeur est conçu pour être exclusivement utilisé à l'intérieur.



Lisez le manuel d'utilisation avant de l'utiliser.

### Sécurité électrique



Votre chargeur dispose d'une double isolation ; aucun fil de terre n'est donc nécessaire. Vérifiez toujours que la tension du réseau électrique correspond à la tension figurant sur la plaque signalétique. N'essayez jamais de remplacer le module de charge par une prise secteur ordinaire.

- ◆ Si le câble d'alimentation est endommagé, il doit être remplacé par le fabricant ou par un centre BLACK+DECKER agréé afin d'éviter tout accident.

### Caractéristiques

Cet outil dispose de tout ou partie des éléments suivants.

1. Poignée principale
2. Bouton de verrouillage
3. Gâchette Marche/Arrêt
4. Batterie (le cas échéant)
5. Semelle
6. Bouton de réglage de la profondeur
7. Poignée auxiliaire
8. Protège-lame supérieur
9. Échelle graduée de réglage du biseau
10. Lame
11. Protège-lame inférieur
12. Échelle graduée de réglage de la profondeur
13. Outil de verrouillage
14. Port d'extraction des poussières

- ◆ Si les problèmes de charge persistent, apportez l'outil, le bloc-batterie et le chargeur à votre centre d'assistance local.
- ◆ Le bloc-batterie doit être rechargé lorsqu'il ne parvient plus à fournir la puissance nécessaire aux opérations qui étaient facilement réalisées auparavant. **CESSEZ D'UTILISER** l'outil dans ces conditions. Respectez la procédure de charge. Vous pouvez également charger un bloc déjà utilisé si vous le souhaitez, sans que cela n'affecte le bloc-batterie.
- ◆ Les corps étrangers de nature conductrice notamment, entre autres, la laine d'acier, le papier aluminium ou toute autre accumulation de particules métalliques doivent être tenus éloignés des cavités du chargeur. Débranchez toujours le chargeur de l'alimentation électrique lorsque qu'aucun bloc-batterie n'y est installé. Débranchez le chargeur avant de le nettoyer.
- ◆ Ne congélez pas le chargeur et ne l'immergez pas dans l'eau ou dans tout autre liquide.

**Avertissement !** Ne laissez aucun liquide pénétrer dans le chargeur. Ne tentez jamais d'ouvrir le bloc-batterie pour quelque raison que ce soit. Si le corps en plastique du bloc-batterie se casse ou se fissure, retournez-le à un centre d'assistance pour qu'il y soit recyclé.

### Batterie défectueuse (le cas échéant)

Si le motif de clignotement indique que la batterie est défectueuse, arrêtez la charge de la batterie. Renvoyez la batterie dans un centre d'assistance ou un centre de collecte pour qu'elle soit recyclée.

### Délai Bloc Chaud/Froid (le cas échéant)

Lorsque le chargeur détecte que le bloc-batterie est trop chaud ou trop froid, il démarre automatiquement un Délai Bloc Chaud/Froid qui interrompt la charge jusqu'à ce que le bloc-batterie atteigne une température correcte. Le chargeur passe ensuite automatiquement en mode Charge. Cette fonctionnalité assure une durée de vie maximale de la batterie. Un bloc-batterie froid se recharge à une cadence moins rapide qu'un bloc-batterie chaud. Le bloc-batterie se recharge à cette cadence plus lente durant tout le cycle de charge et n'atteint pas la charge maximale même si le bloc se réchauffe.

### Installer et retirer le bloc-batterie dans l'outil (le cas échéant)

**Avertissement !** Avant d'exécuter ce qui suit, assurez-vous que l'outil est éteint et débranché et que la lame n'est pas en mouvement.

#### Pour installer le bloc-batterie (Fig. A)

- ◆ Insérez le bloc-batterie dans l'outil comme illustré par la figure A. Assurez-vous que le bloc-batterie est bien en place et complètement verrouillé.

- ◆ Assurez-vous que le bloc-batterie est bien en place et parfaitement fixé.

#### Pour retirer le bloc-batterie (Fig. B)

- ◆ Appuyez sur le bouton de libération de la batterie comme illustré par la figure B et tirez sur le bloc-batterie pour le sortir de l'outil.

#### Soutenir les grands panneaux/Sécuriser la pièce à scier (Fig. C)

- ◆ Soutenez les grands panneaux afin de minimiser le risque de pincement de la lame et de rebond. Les grands panneaux ont tendance à s'affaisser sous leur propre poids comme illustré par la figure C.
- ◆ Les supports doivent être placés sous le panneau des deux côtés, près de la ligne de coupe et près des bords du panneau, figure C.
- ◆ Ne tenez jamais la pièce à scier dans vos mains ou entre vos jambes, figure D.
- ◆ Sécurisez la pièce à scier sur un plateau stable, comme illustré par la figure E. Il est important que la pièce soit correctement soutenue afin de minimiser les risques de blessures, de coincement de la lame ou de perte de contrôle.

#### Régler la profondeur de coupe - (Fig. F - G)

- ◆ La profondeur de coupe doit être réglée en fonction de l'épaisseur de la pièce à scier.
- ◆ Desserrez le bouton de réglage de la profondeur (6) pour déverrouiller la semelle de la scie (5), comme illustré par la figure F.
- ◆ Déplacez la semelle de la scie jusqu'à la position voulue. La profondeur de coupe correspondante peut être lue sur l'échelle graduée (12).
- ◆ Réglez la profondeur de coupe de la scie de façon qu'une dent (10) de la lame dépasse sous la pièce à scier (16), comme illustré par la figure G.
- ◆ Serrez le bouton pour verrouiller la semelle en place.

#### Régler l'angle du biseau (Fig. K)

Les angles de coupe en biseau peuvent être réglés entre 0° et 50° sur cet outil

- ◆ Desserrez le bouton de réglage du biseau (14) pour déverrouiller la semelle de la scie (5).
- ◆ Déplacez la semelle (5) à la position voulue. L'angle de biseau correspondant peut être lu sur l'échelle graduée (9).
- ◆ Serrez le bouton de réglage du biseau (15) pour verrouiller la semelle en place.
- ◆ Vérifiez la précision du réglage en contrôlant l'angle effectif du biseau sur une chute.

## Régler la semelle pour des coupes à 90°

La semelle (5) a été réglée en usine afin de garantir que la lame est perpendiculaire à la semelle à un angle de biseau de 0°.

SI UN RÉALIGNEMENT EST NÉCESSAIRE :

- ◆ Réglez le biseau de la scie à 0°.
- ◆ Rétractez le protège-lame (11).
- ◆ Desserrez le bouton de réglage du biseau (15). Placez une équerre contre la lame (10) et la semelle (5) afin trouver un angle de 90°.
- ◆ Desserrez le contre-écrou (16) et déplacez la vis de réglage (19) (insért de la figure H) de façon que la semelle soit arrêtée au bon angle. Resserrez le contre-écrou sur la semelle tout en conservant le réglage de la vis.
- ◆ Vérifier la précision du réglage en contrôlant la perpendicularité de la coupe sur une chute.

## Installer et retirer la lame (Fig. I - J)

- ◆ Rétractez le protège-lame inférieur et assemblez la lame (10) et la rondelle de fixation (20), comme illustré par la figure I.
- ◆ Appuyez sur le dispositif de verrouillage de l'axe (16) tout en tournant le boulon de la lame (21) avec l'outil de verrouillage (13), jusqu'à ce que le dispositif de verrouillage de la lame s'engage et que la lame cesse de tourner.

**Remarque :** Le boulon est fileté à gauche. Pour le desserrer, tournez dans le sens des aiguilles d'une montre. Pour le serrer, tournez dans le sens inverse des aiguilles d'une montre.

**Remarque :** N'enclenchez jamais le dispositif de verrouillage de la lame si la scie est en marche ou pour forcer l'arrêt de l'outil. Ne mettez jamais l'outil en marche si le dispositif de verrouillage de la lame est enclenché. Votre scie pourrait sinon être sérieusement endommagée.

## Protège-lame inférieur

**Avertissement !** Risque de laceration. Le protège-lame inférieur est un dispositif de sécurité qui réduit le risque de graves blessures. N'utilisez jamais la scie si le protège-lame inférieur est absent, endommagé, mal monté ou s'il ne fonctionne pas correctement. Ne vous fiez pas au protège-lame inférieur pour vous protéger en toutes circonstances. Votre sécurité dépend du respect de tous les avertissements et mesures de précaution, ainsi que de l'utilisation correcte de la scie. Vérifiez que le protège-lame inférieur se referme correctement avant chaque utilisation comme décrit dans la section Consignes de sécurité supplémentaires liées aux scies circulaires. Si le protège-lame inférieur est absent ou qu'il ne fonctionne pas correctement, faites d'abord réparer la scie. Pour assurer la sécurité et la fiabilité du produit, les réparations, l'entretien et les réglages doivent être effectués par un centre de service agréé ou une autre organisation de service qualifiée en utilisant toujours des pièces de rechange identiques.

**Avertissement !** Afin de réduire le risque de blessures, portez toujours une protection oculaire. Les corps étrangers sur le lieu d'intervention comme des fils ou des clous par exemple peuvent fissurer ou briser les pointes. N'utilisez la scie que si un protège-lame adapté est en place. Installez correctement la lame en respectant le sens de rotation avant l'utilisation et utilisez toujours une lame propre et affûtée.

**Avertissement !** Afin de réduire le risque de blessures graves, il est important de correctement soutenir l'ouvrage et de fermement tenir la scie afin d'éviter toute perte de contrôle qui provoquerait de graves blessures. La figure E illustre la position correcte.

## Utilisation

**Avertissement !** Afin de réduire le risque de blessures graves, lisez, assimilez et respectez tous les avertissements importants qui concernent la sécurité et toutes les instructions avant d'utiliser l'outil.

## Choix de la lame

Votre scie circulaire est conçue pour utiliser des lames de diamètre 140 x 2 mm avec un trou central de 12,7 mm de diamètre. Les lames doivent être homologuées pour fonctionner à 7000 tr/min (ou plus). N'UTILISEZ PAS de disques abrasifs.

## Découpes générales

**Avertissement !** Afin de réduire le risque de blessures, retirez la batterie et respectez toutes les instructions liées à l'assemblage, aux réglages et à l'installation.

Assurez-vous du bon fonctionnement du protège-lame inférieur. Sélectionnez une lame adaptée au matériau à scier.

- ◆ Prenez vos mesures et marquez la pièce à scier.
- ◆ Soutenez et sécurisez correctement la pièce à scier (voir Consignes et Instructions de sécurité).
- ◆ Utilisez les équipements de protection appropriés et nécessaires, (Voir Consignes de sécurité).
- ◆ Sécurisez et rangez la zone de travail (Voir Consignes de sécurité).
- ◆ Batterie installée, assurez-vous que l'interrupteur permet la mise en marche et l'extinction de la scie.

## Interrupteur

La scie est équipée d'une fonction qui verrouille l'interrupteur afin d'empêcher toute mise en marche accidentelle.

- ◆ Pour faire fonctionner l'outil, appuyez sur le bouton de verrouillage (2) de l'un des côtés de la scie et maintenez-le enfoncé tout en appuyant sur l'interrupteur à gâchette (3).
- ◆ Après avoir enfoncé la gâchette et un fois l'outil en marche, relâchez le bouton de verrouillage.
- ◆ L'outil continue à fonctionner tant que la gâchette reste enfoncée.

- ◆ Pour éteindre l'outil, relâchez la gâchette.

**Remarque :** Il n'existe aucun moyen sur cet outil de bloquer la gâchette en position marche et l'interrupteur ne doit jamais être verrouillé en position marche par un quelque autre moyen.

### Frein électrique automatique

Votre scie est équipée d'un système de freinage électrique de la lame qui arrête la lame de scie dans les 1 à 2 secondes qui suivent le relâchement de la gâchette. Ce freinage est automatique et il ne nécessite aucun réglage.

### Scier

**Avertissement !** Afin de réduire tout risque de blessures graves, tenez toujours l'outil à deux mains.

- ◆ Laissez la lame tourner à vide pendant quelques secondes avant de commencer à scier.
- ◆ N'appliquez qu'une légère pression sur l'outil pendant le sciage.
- ◆ Travaillez avec la semelle appuyée contre la pièce à scier.

### Conseils pour une utilisation optimale

- ◆ Des éclats de bois le long de la ligne de coupe sur le dessus de la pièce à scier étant inévitables, coupez du côté où les éclats sont les plus acceptables.
- ◆ Pour limiter les éclats, pendant la découpe de stratifiés par exemple, fixez un morceau de contreplaqué sur le dessus de la pièce à scier.

### Découpe de cavité (Fig. K)

**Avertissement !** N'attachez jamais le protège-lame en position soulevée. Ne déplacez jamais la scie vers l'arrière pour découper des cavités. Cela pourrait entraîner un soulèvement de la machine hors de la surface de travail et provoquer des blessures. Une découpe de cavité est une découpe faite alors que le bord du matériau ne repousse pas le protège-lame inférieur pour l'ouvrir mais que le bord inférieur de la lame scie au centre de la matière.

- ◆ Ajustez la semelle (5) de sorte que la lame coupe à la profondeur voulue.
- ◆ Inclinez la scie vers l'avant et reposez l'avant de la semelle sur le matériau à couper.
- ◆ À l'aide du levier, retractez le protège-lame inférieur vers le haut. Abaissez l'arrière de la semelle jusqu'à ce que les dents de la lame touchent presque la ligne de coupe.
- ◆ Relâchez le protège-lame (il touche alors l'ouvrage et se maintient ainsi en position pour s'ouvrir librement lorsque vous commencerez à scier).
- ◆ Retirez la main du levier du protège-lame et tenez fermement la poignée auxiliaire (7) comme illustré par la figure N. Placez votre corps et votre bras de façon à vous permettre de résister à un rebond le cas échéant.

- ◆ Assurez-vous que la lame ne touche pas la surface à scier avant de démarrer la scie.
- ◆ Démarrez le moteur, laissez la scie atteindre sa pleine vitesse puis abaissez graduellement la scie jusqu'à ce que sa semelle repose à plat sur le matériau à scier. Faites avancer la scie le long de la ligne de coupe jusqu'à ce que la coupe soit terminée, comme illustré par la figure K.
- ◆ Relâchez la gâchette et laissez la lame s'immobiliser complètement avant de sortir la lame de la matière.
- ◆ À chaque reprise de coupe, répétez les opérations ci-dessus.

### Dépannage

Problème	Cause possible	Solution possible
<b>L'appareil ne démarre pas.</b>	Le bloc-batterie n'est pas bien installé.	Vérifiez l'installation du bloc-batterie.
	Le bloc-batterie n'est pas rechargé.	Vérifiez le besoin en charge du bloc-batterie.
<b>Le moteur s'arrête pendant le sciage.</b>	Le bloc-batterie n'est pas installé dans le chargeur.	Insérez le bloc-batterie dans le chargeur jusqu'à ce que le voyant s'allume.
	Le chargeur n'est pas branché.	Branchez le chargeur dans une prise murale qui fonctionne. Consultez la section "Remarques importantes sur la charge" pour avoir plus de détails.
	La température ambiante est trop chaude ou trop froide.	Déplacez le chargeur et l'outil dans un endroit où la température ambiante est supérieure à 4,5°C (40°F) ou inférieure à +40,5°C (105°F).
<b>La machine s'éteint brusquement.</b>	Le bloc-batterie a atteint sa limite thermique maximum.	Laissez le bloc-batterie refroidir.
	Déchargé. (Afin de maximiser la durée de vie du bloc-batterie, il est conçu pour s'arrêter brusquement lorsque la batterie est déchargée).	Placez-le dans le chargeur et laissez-le se recharger.

### Accessoires

Les performances de votre outil dépendent de l'accessoire utilisé. Les accessoires BLACK+DECKER sont élaborés dans le respect de normes de qualité supérieure et ils sont conçus pour améliorer les performances de votre outil. L'utilisation de ces accessoires vous permet de tirer le meilleur de votre outil.

### Maintenance

Votre outil a été conçu pour fonctionner pendant longtemps avec un minimum d'entretien. Le fonctionnement continu et satisfaisant de l'outil dépend de son bon entretien et de son nettoyage régulier.

**Avertissement !** Éteignez et débranchez l'outil avant toute opération de maintenance.

- ◆ Nettoyez régulièrement les orifices d'aération de votre outil à l'aide d'une brosse souple ou d'un chiffon sec.
- ◆ Nettoyez régulièrement le bloc-moteur à l'aide d'un chiffon humide. N'utilisez pas de détergents abrasifs ou à base de solvants.

## Protection de l'environnement



Tri sélectif. Les produits et batteries marqués de ce symbole ne doivent pas être jetés avec les déchets ménagers.

Les produits et batteries contiennent des matières qui peuvent être récupérées et recyclées afin de réduire la demande en matières premières.

Veillez à recycler les produits électriques et les piles et batteries conformément aux dispositions locales en vigueur. Pour plus d'informations, consultez le site [www.2helpU.com](http://www.2helpU.com)

## Caractéristiques techniques

BDCCS18 H1		
Tension d'entrée	$V_{dc}$	18
Vitesse à vide	$min^{-1}$	3700 TR/MIN
Profondeur de coupe maximum	mm	43
Profondeur de coupe maximum en biseau à 45°	mm	35
Diamètre de lame	mm	140
Trou de la lame	mm	12,7
Largeur à l'extrémité de la lame	mm	2,0
Poids	kg	2,08

Chargeur		905902**/ N4940**	905998**/ 906349**
Tension d'entrée	$V_{AC}$	100-240	220-240
Tension de sortie	$V_{DC}$	8-20	8-20
Courant	mA	400	1000
Temps de charge approx.	Heures	3-11	1,5-5

Batterie (où fourni)		BL2018*	BL1518*	BL4018
Voltage	$V_{DC}$	18	18	18
Capacity	Ah	2.0	1.5	4.0
Type		Li-Ion	Li-Ion	Li-Ion

$L_{pA}$ (pression sonore) 76,0 dB(A), incertitude (K) 3 dB(A)
$L_{WA}$ (puissance sonore) 87,0 dB(A), incertitude (K) 3 dB(A)
Valeurs totales des vibrations (somme vectorielle triaxiale) selon la norme EN 62841 :
Sciage de bois ( $a_{h,w}$ ) 1,5 $m/s^2$ , incertitude (K) 1,5 $m/s^2$

**Déclaration de conformité CE**  
DIRECTIVES MACHINES



Scie circulaire BDCCS18

Black & Decker déclare que les produits décrits dans les «Caractéristiques techniques» sont conformes aux normes : EN62841-1:2015, EN62841-2-5:2014.

Ces produits sont également conformes aux Directives 2006/42/EC, 2014/30/UE et 2011/65/UE.

Pour plus de détails, veuillez contacter Black & Decker à l'adresse suivante ou consultez la dernière page du manuel. Le soussigné est responsable de la compilation des données de la fiche technique et fait cette déclaration au nom de Black & Decker.

A. P. Smith  
Technical Director  
Black & Decker Europe, 270 Bath Road, Slough,  
Berkshire, SL1 4DX  
Royaume-Uni  
30/04/2019

## Garantie

Black & Decker assure la qualité de ses produits et offre une garantie de 24 mois aux utilisateurs, à partir de la date d'achat. Cette garantie s'ajoute à vos droits légaux auxquels elle ne porte aucunement préjudice. Cette garantie est valable au sein des territoires des États membres de l'Union Européenne et au sein de la Zone européenne de libre-échange.

Pour prétendre à la garantie, la réclamation doit être en conformité avec les conditions générales de Black & Decker et vous devez fournir une preuve d'achat au vendeur ou au réparateur agréé. Les conditions générales de la garantie de 2 ans Black&Decker ainsi que l'adresse du réparateur agréé le plus proche sont disponibles sur le site Internet [www.2helpU.com](http://www.2helpU.com) ou en contactant votre agence Black & Decker locale à l'adresse indiquée dans ce manuel.

Veillez consulter notre site Internet [www.blackanddecker.co.uk](http://www.blackanddecker.co.uk) pour enregistrer votre nouveau produit Black & Decker et pour être tenu informé des nouveaux produits et offres spéciales.

## Usò previsto

La sega circolare BLACK+DECKER BDCCS18 è stata progettata per segare legno e oggetti in legno. Questo utensile è destinato esclusivamente all'uso privato.

## Istruzioni di sicurezza

**Avvertenze di sicurezza generali per gli elettrostrumenti**



**Avvertenza! Leggere attentamente tutte le avvertenze, istruzioni, illustrazioni e specifiche fornite con l'elettrotensile.** La mancata osservanza delle avvertenze e istruzioni elencate di seguito potrebbe dar luogo a scosse elettriche, incendi e/o infortuni gravi.

**Conservare tutte le avvertenze e le istruzioni per consultazioni successive.** Il termine "elettrotensile" che ricorre in tutte le avvertenze seguenti si riferisce ad utensili elettrici con o senza filo.

## 1. Sicurezza nell'area di lavoro

- a. **Mantenere pulita e bene illuminata l'area di lavoro.** Gli ambienti disordinati o scarsamente illuminati favoriscono gli incidenti.
- b. **Evitare di usare gli elettrotensili in ambienti esposti a rischio di esplosione, ad esempio in presenza di liquidi, gas o polveri infiammabili.** Gli elettrotensili generano scintille che possono incendiare le polveri o i fumi.
- c. **Tenere lontani bambini e altre persone presenti mentre si usa un elettrotensile.** Eventuali distrazioni possono provocare la perdita di controllo dello stesso.

## 2. Sicurezza elettrica

- a. **Le spine elettriche degli elettrotensili devono essere adatte alla presa. Non modificare la spina in alcun modo. Non utilizzare spine con adattatore con gli elettrotensili dotati di messa a terra.** Per ridurre il rischio di scossa elettrica evitare di modificare le spine e utilizzare sempre le prese di corrente appropriate.
- b. **Evitare il contatto fisico con superfici collegate a terra, come tubi, radiatori, forni e frigoriferi.** Se il proprio corpo è collegato a terra, il rischio di scossa elettrica aumenta.
- c. **Non esporre gli elettrotensili alla pioggia o all'umidità.** Se entra dell'acqua all'interno dell'elettrotensile, il rischio di scossa elettrica aumenta.
- d. **Non utilizzare il cavo di alimentazione in modo improprio. Non spostare, tirare o scolleghere mai l'elettrotensile tirandolo dal cavo. Tenere il cavo di alimentazione lontano da fonti di calore, olio, bordi taglienti o parti in movimento.**  
Se il cavo di alimentazione è danneggiato o impigliato, il rischio di scossa elettrica aumenta.
- e. **Se l'elettrotensile viene utilizzato all'aperto, usare esclusivamente prolunghie omologate per l'impiego all'esterno.** L'uso di un cavo di alimentazione adatto ad ambienti esterni riduce il rischio di scossa elettrica.
- f. **Se non è possibile evitare di lavorare in una zona umida, usare una rete elettrica protetta da un interruttore differenziale (RCD).** L'uso di un interruttore differenziale riduce il rischio di scossa elettrica.

## 3. Sicurezza delle persone

- a. **È importante concentrarsi su ciò che si sta facendo e maneggiare con giudizio l'elettrotensile. Non utilizzare un elettrotensile quando si è stanchi o sotto l'effetto di droghe, alcool o medicinali.** Un solo attimo di distrazione durante l'uso dell'elettrotensile potrebbe provocare gravi lesioni personali.
- b. **Usare dispositivi di protezione individuale. Indossare sempre dispositivi di protezione per gli occhi.** L'uso di dispositivi di protezione, quali mascherine antipolvere, scarpe antinfortunistiche antiscivolo, elmetti o protezioni auricolari in condizioni opportune consente di ridurre le lesioni personali.
- c. **Impedire l'avviamento involontario. Accertarsi che l'interruttore di accensione/spegnimento sia nella posizione di spegnimento, prima di collegare l'elettrotensile alla rete elettrica e/o alla batteria, di prenderlo in mano o di trasportarlo.** Per non esporsi al rischio di incidenti, non trasportare l'elettrotensile tenendo le dita sull'interruttore di accensione e non collegarlo a una fonte di alimentazione elettrica con l'interruttore acceso.
- d. **Prima di accendere un elettrotensile, rimuovere gli eventuali utensili o chiavi di regolazione.** Un utensile di regolazione o una chiave inserito/a su una parte rotante dell'elettrotensile può provocare lesioni alle persone.
- e. **Non sbilanciarsi. Mantenere sempre un appoggio e un equilibrio adeguati.** In tal modo è possibile avere un migliore controllo dell'elettrotensile nelle situazioni impreviste.
- f. **Vestirsi adeguatamente. Non indossare abiti lenti o gioielli. Tenere i capelli, i vestiti e i guanti lontano dalle parti mobili.** Abiti larghi, gioielli o capelli lunghi possono impigliarsi nelle parti in movimento.
- g. **Se gli elettrotensili sono provvisti di attacchi per il collegamento di dispositivi di aspirazione o di raccolta delle polveri, assicurarsi che questi ultimi siano installati e utilizzati correttamente.** L'impiego di dispositivi di raccolta delle polveri può ridurre i pericoli legati a queste ultime.
- h. **Non lasciare che la familiarità acquisita dall'uso frequente degli utensili induca a cedere alla tentazione di ignorare i principi di utilizzo sicuro degli stessi. Un'azione imprudente potrebbe provocare lesioni gravi in una frazione di secondo.**

## 4. Uso e cura dell'elettrotensile

- a. **Non sovraccaricare l'elettrotensile. Utilizzare l'elettrotensile adatto per il lavoro da eseguire.** L'elettrotensile corretto funziona meglio e in modo più sicuro se viene utilizzato alla velocità per cui è stato progettato.

- b. **Non utilizzare l'elettro utensile se l'interruttore di accensione/spengimento è difettoso.** Qualsiasi elettro utensile che non possa essere controllato tramite l'interruttore è pericoloso e deve essere riparato.
- c. **Scollegare la spina dalla presa di corrente e/o la batteria dall'elettro utensile prima di regolarlo, sostituirne gli accessori o riporlo in magazzino.** Queste misure di sicurezza preventive riducono il rischio di azionare accidentalmente l'elettro utensile.
- d. **Quando non vengono usati, gli elettro utensili devono essere custoditi fuori dalla portata dei bambini. Non consentire l'uso dell'elettro utensile a persone inesperte o che non abbiano letto le presenti istruzioni d'uso.** Gli elettro utensili sono pericolosi in mano a persone inesperte.
- e. **Sottoporre gli elettro utensili e gli accessori a regolare manutenzione. Verificare che le parti mobili siano correttamente allineate e non inceppate, che non vi siano componenti rotti e che non sussistano altre condizioni che possono compromettere il funzionamento dell'elettro utensile. Se danneggiato, far riparare l'elettro utensile prima dell'uso.** Molti incidenti sono provocati da elettro utensili non sottoposti a corretta manutenzione.
- f. **Mantenere affilati e puliti gli utensili da taglio.** La manutenzione corretta degli utensili da taglio con bordi affilati riduce le probabilità di inceppamento e ne facilita il controllo.
- g. **Utilizzare l'elettro utensile, gli accessori, le punte, ecc. in conformità alle presenti istruzioni, tenendo conto delle condizioni operative e del lavoro da eseguire.** L'utilizzo dell'elettro utensile per impieghi diversi da quelli previsti può dare luogo a situazioni di pericolo.
- h. **Mantenere le impugnature e le superfici di presa asciutte, pulite e senza tracce di olio o grasso. Maniglie e superfici di presa scivolose non consentono di maneggiare e controllare in modo sicuro l'utensile nel caso di imprevisti..**
5. **Uso e cura degli elettro utensili a batteria**
- a. **Ricaricare la batteria dell'elettro utensile utilizzando esclusivamente il caricabatterie specificato dal fabbricante.** Un caricabatterie adatto per un solo tipo di batteria può comportare il rischio d'incendio se usato con una batteria diversa.
- b. **Usare gli elettro utensili esclusivamente con le apposite batterie.** L'impiego di batterie di tipo diverso potrebbe provocare il rischio di lesioni a persone e incendi.
- c. **Quando la batteria non viene usata, tenerla lontano da altri oggetti metallici tipo graffette, monete, chiavi, chiodi, viti o altri oggetti metallici di piccole dimensioni, che potrebbero cortocircuitare un morsetto con l'altro.** Se i morsetti della batteria vengono cortocircuitati potrebbero provocare ustioni o un incendio.
- d. **In condizioni di sovraccarico, le batterie possono perdere liquido: evitare di toccarlo. In caso di contatto accidentale, risciacquare la pelle con acqua. Se il liquido entra a contatto con gli occhi, consultare un medico.** Il liquido che fuoriesce dalla batteria può causare irritazioni o ustioni.
- e. **Non utilizzare una batteria o un utensile danneggiati o modificati.** Le batterie danneggiate o modificate potrebbero manifestare un comportamento imprevedibile con la possibilità di causare un'esplosione o un incendio.
- f. **Non esporre una batteria o un utensile al fuoco o a temperature eccessivamente elevate.** L'esposizione al fuoco o a una temperatura superiore a 130°C potrebbe provocare un'esplosione.
- g. **Seguire tutte le istruzioni per la carica e non caricare la batteria o l'elettro utensile a una temperatura che non rientri nell'intervallo di valori specificato nelle istruzioni.** Una ricarica effettuata in maniera scorretta o a una temperatura che non rientra nell'intervallo di valori specificato, potrebbe danneggiare la batteria aumentando il rischio d'incendio.
6. **Assistenza**
- a. **Fare riparare l'elettro utensile esclusivamente da personale specializzato e utilizzando esclusivamente ricambi originali.** In questo modo sarà possibile mantenere la sicurezza dell'elettro utensile.
- b. **Non riparare le batterie danneggiate.** Gli interventi di riparazione sulle batterie devono essere eseguiti dal costruttore o da fornitori di assistenza autorizzati.

### Altre avvertenze di sicurezza riguardanti gli elettro utensili



**Avvertenza!** Ulteriori avvertenze di sicurezza valide per tutte le seghe circolari

### Procedure di taglio



**Tenere le mani lontane dalla zona di taglio e dalla lama. Tenere la seconda mano sull'impugnatura secondaria o sull'alloggiamento del motore.** Impugnando la sega con entrambe le mani, si evita di tagliarsi.

- ◆ **Non sporgersi sotto il pezzo da lavorare.** La protezione non può proteggere dalla lama sotto al pezzo.



- ◆ **Regolare la profondità di taglio in base allo spessore del pezzo da lavorare.** Sotto al pezzo dovrebbe essere visibile meno di un dente completo della lama.
- ◆ **Non tenere mai il pezzo da tagliare in mano o appoggiato sulla coscia. Fissare il pezzo in lavorazione su una base di sostegno stabile.** Per ridurre al minimo il pericolo di un contatto con il corpo, la possibilità di un blocco della lama da taglio oppure la perdita del controllo, è importante fissare bene il pezzo in lavorazione.
- ◆ **Tenere l'elettrotensile solo afferrando l'impugnatura isolata se vi è la possibilità che la sega possa venire a contatto di cavi nascosti o del proprio cavo.** Il contatto con un cavo "sotto tensione" mette "sotto tensione" anche le parti metalliche esposte dell'utensile e potrebbe esporre l'operatore a scosse elettriche.
- ◆ **Quando si sega secondo la fibra, usare una guida pezzo o una riga.** In questo modo si migliora la precisione del taglio e si riduce la possibilità di inceppamento della lama.
- ◆ **Usare sempre lame delle dimensioni e forme corrette (diamante piuttosto che rotondo) dei fori di sostegno.** Lame per segatrici non adatte ai relativi pezzi di montaggio, avranno una rotazione eccentrica causando la perdita di controllo dell'apparato elettrico.
- ◆ **Mai usare rondelle di bulloni danneggiate o di lame non corrette.** Le rondelle e le viti per lama da taglio sono appositamente previste per la vostra segatrice e sono state realizzate per raggiungere prestazioni ottimali e la massima sicurezza di utilizzo.

## Ulteriori istruzioni di sicurezza valide per tutte le segatrici

### Cause dei contraccolpi e avvertenze correlate

- ◆ un contraccolpo è la reazione improvvisa provocata da una lama da taglio rimasta agganciata, inceppata oppure che non sia stata regolata correttamente, comportando un movimento incontrollato della sega che sbalza dal pezzo in lavorazione e si sposta in direzione dell'operatore;
- ◆ quando la lama viene schiacciata o si inceppa saldamente dalla chiusura della tavola, la lama si ferma e la reazione del motore spinge l'unità rapidamente indietro verso l'operatore;
- ◆ se la lama si contorce o non è allineata nel taglio, i denti all'estremità posteriore della lama possono scavare nella superficie superiore del legno facendo uscire la lama dal banco e facendolo saltare verso l'operatore.

Il contraccolpo è il risultato di un uso improprio della sega e/o di procedure o condizioni di funzionamento errate e può essere evitato adottando le giuste precauzioni come indicato di seguito.

- ◆ **Afferrare saldamente la sega con entrambe le mani e posizionare le braccia in modo da poter far fronte ai contraccolpi. Posizionare il corpo su ambo i lati della lama, ma non in linea con la lama.** In caso di contraccolpo, la sega può rimbalzare all'indietro; tuttavia, adottando le appropriate precauzioni l'operatore può essere in grado di controllare il rimbalzo.
- ◆ **Quando la lama si inceppa, oppure quando per una qualsiasi ragione si interrompe l'operazione di taglio, rilasciare la levetta e tenere la sega immobile nel pezzo fino a quando la lama di arresta del tutto. Non tentare mai di rimuovere la sega dal lavoro o tirare la sega indietro mentre la lama è in movimento o si potrebbe verificare il rimbalzo.** Esaminare e prendere azioni correttive per eliminare le cause che inceppano la lama.
- ◆ **Volendo avviare nuovamente una segatrice che ancora si trova nel pezzo in lavorazione, centrare la lama nella fessura del taglio ed accertarsi che la dentatura della segatrice non sia rimasta agganciata nel pezzo in lavorazione.** Se la lama della sega si inceppa, potrebbe fuoriuscire dal pezzo o causare un contraccolpo quando la sega viene riavviata.
- ◆ **Sostenere i pannelli di grandi dimensioni per minimizzare il rischio che la lama rimanga pinzata e provochi un contraccolpo.** I pannelli più grandi tendono a incurvarsi sotto il proprio peso. Sotto tali pannelli, è necessario inserire da entrambi i lati dei supporti idonei, sia lungo la linea di taglio che lungo i bordi.
- ◆ **Non usare lame spuntate o danneggiate.** Lame spuntate o posizionate male producono un taglio stretto causando un attrito eccessivo, l'inceppamento della lama e dei contraccolpi.
- ◆ **La profondità della lama e la regolazione delle leve di blocco dello smusso devono essere strette e sicure prima di eseguire il taglio.** Se la regolazione della lama cambia durante il taglio, si possono causare inceppamenti e contraccolpi.
- ◆ **Prestare particolare attenzione quando si praticano dei tagli con la sega in pareti esistenti o in altre zone con scarsa visibilità.** La lama da taglio che inizia il taglio su oggetti nascosti può bloccarsi e provocare un rimbalzo.

### Funzione della protezione inferiore

- ◆ **Verificare che la protezione inferiore si chiuda correttamente prima di ciascun utilizzo. Non adoperare la sega se la protezione inferiore non si muove liberamente e non si chiude istantaneamente. Non bloccare né legare mai la calotta di protezione inferiore in posizione aperta.** Se la sega dovesse accidentalmente cadere a terra, è possibile che la protezione inferiore subisca una deformazione.

Operando con la leva di ritorno, sollevare la protezione inferiore e accertarsi che possa muoversi liberamente in ogni angolazione e profondità di taglio senza toccare né la lama né nessun altro pezzo.

- ◆ **Controllare il funzionamento della molla della protezione inferiore. Se la protezione e la molla non funzionano bene, devono essere riparate prima dell'uso.** Componenti danneggiati, depositi di sporcizia appiccicosi oppure accumuli di trucioli comportano una riduzione della funzionalità della protezione inferiore.
- ◆ **La protezione inferiore può essere ritratta manualmente solo per tagli speciali come quelli "a tuffo" e quelli "compositi".** Sollevare la protezione inferiore mediante la leva di ritorno e rilascerla non appena la lama da taglio sarà penetrata nel pezzo in lavorazione. Per tutte le altre operazioni di taglio, la protezione inferiore deve funzionare automaticamente.
- ◆ **Osservare sempre che la protezione inferiore copra la lama prima di appoggiare la sega sul banco o pavimento.** Una lama non protetta o che gira a vuoto fa spostare all'indietro la sega, tagliando tutto ciò che trova lungo il percorso. Tenere quindi sempre in considerazione la fase di arresto della segatrice.

## Sicurezza altrui

Non permettere mai di utilizzare l'elettrotensile a bambini, persone con capacità fisiche, sensoriali o mentali ridotte o con mancanza di esperienza e di conoscenze o persone che non sono a conoscenza delle presenti istruzioni. Le normative locali potrebbero imporre un limite di età per l'operatore.

## Rischi residui

L'utilizzo dell'elettrotensile può comportare rischi residui non necessariamente riportati nelle presenti avvertenze di sicurezza. Tali rischi possono sorgere a seguito di un uso prolungato o improprio, ecc.

Malgrado il rispetto delle norme di sicurezza pertinenti e l'implementazione di dispositivi di sicurezza, alcuni rischi residui non possono essere evitati. Sono inclusi:

- ◆ lesioni causate o subite a seguito del contatto con parti rotanti/in movimento;
- ◆ lesioni causate o subite durante la sostituzione di parti, lame o accessori;
- ◆ lesioni causate dall'impiego prolungato di un elettrotensile (quando si utilizza qualsiasi elettrotensile per lunghi periodi, accertarsi di fare regolarmente delle pause);
- ◆ menomazioni uditive;
- ◆ rischi per la salute causati dall'aspirazione di polvere generata dall'utilizzo dell'elettrotensile (ad esempio quando si lavora con il legno, in modo particolare quello di quercia, faggio o l'MDF).

## Vibrazioni

I valori dichiarati delle emissioni di vibrazioni, indicati nei dati tecnici e nella dichiarazione di conformità del presente manuale, sono stati misurati in base al metodo di test standard previsto dalla normativa EN62841 e possono essere usati come paragone tra un attrezzo e un altro. Il valore delle emissioni di vibrazioni dichiarato può anche essere usato come valutazione preliminare dell'esposizione.

**Avvertenza!** Il valore delle emissioni di vibrazioni durante l'impiego effettivo dell'elettrotensile può variare da quello dichiarato a seconda delle modalità d'uso. Il livello delle vibrazioni può aumentare oltre quello dichiarato. Quando si valuta l'esposizione alle vibrazioni per determinare le misure di sicurezza richieste dalla normativa 2002/44/CE destinata alla protezione delle persone che utilizzano regolarmente elettrotensili per lo svolgimento delle proprie mansioni, è necessario prendere in considerazione le condizioni effettive di utilizzo e il modo in cui l'elettrotensile viene usato, oltre che tenere conto di tutte le componenti del ciclo operativo, vale a dire i periodi in cui l'elettrotensile rimane spento, quelli in cui è acceso ma fermo e quelli in cui viene effettivamente utilizzato.

## Etichette sull'elettrotensile

Sull'elettrotensile sono presenti i seguenti simboli assieme al codice data:



**Avvertenza!** Per ridurre il rischio di lesioni personali, l'operatore deve leggere il manuale d'istruzioni.

## Altre istruzioni di sicurezza per batterie e caricabatterie (che potrebbero non essere inclusi)

### Batteria (che potrebbe non essere inclusa)

- ◆ Non tentare mai di aprire la batteria per alcun motivo.
- ◆ Non lasciare che la batteria si bagni.
- ◆ Non conservare la batteria in luoghi dove la temperatura potrebbe superare i 40 °C.
- ◆ Caricare la batteria solo a temperature ambientali comprese tra 10 °C e 40 °C.
- ◆ Caricare la batteria esclusivamente con il caricabatterie fornito in dotazione con l'elettrotensile.
- ◆ Per lo smaltimento delle batterie, seguire le istruzioni fornite alla sezione "Protezione dell'ambiente".

### Caricabatterie (che potrebbe non essere incluso)

- ◆ Usare il caricabatterie BLACK+DECKER solo per caricare la batteria dell'elettrotensile con il quale è stato fornito. Altre batterie potrebbero scoppiare causando lesioni alle persone e danni alle cose.
- ◆ Non tentare mai di caricare batterie non ricaricabili.
- ◆ Fare sostituire immediatamente i cavi di alimentazione difettosi.

- ◆ Non lasciare che il caricabatterie si bagni.
- ◆ Non aprire il caricabatterie.
- ◆ Non introdurre oggetti nel caricabatterie.



Il caricabatterie è destinato all'uso in ambienti chiusi.



Leggere il presente manuale d'uso prima dell'impiego.

## Sicurezza elettrica



Il doppio isolamento di cui è provvisto il caricabatterie rende superfluo il filo di terra. Controllare sempre che la tensione di rete corrisponda a quella indicata sulla targhetta dei dati tecnici. Non tentare mai di sostituire il caricabatterie con una spina elettrica tradizionale.

- ◆ In caso di danneggiamento del cavo di alimentazione è necessario farlo riparare dal fabbricante o presso un Centro di assistenza BLACK+DECKER autorizzato in modo da evitare pericoli.

## Caratteristiche

Questo elettroutensile presenta alcune o tutte le seguenti caratteristiche.

1. Impugnatura principale
2. Pulsante di sicurezza
3. Grilletto di accensione/spengimento
4. Batteria (che potrebbe non essere inclusa)
5. Pattino
6. Manopola di regolazione profondità
7. Impugnatura secondaria
8. Protezione superiore
9. Scala di regolazione angolo di smussatura
10. Lama
11. Protezione inferiore
12. Scala regolazione profondità
13. Attrezzo di bloccaggio
14. Porta di aspirazione polveri
15. Manopola di regolazione inclinazione
16. Blocco dell'alberino

## Procedura di carica della batteria (batteria e caricabatterie potrebbero non essere inclusi)

I caricabatterie BLACK+DECKER sono progettati per caricare le batterie BLACK+DECKER.

- ◆ Collegare il caricabatterie a una presa di corrente adatta prima di inserire la batteria.
- ◆ Inserire la batteria nel caricabatterie.
- ◆ Il LED verde lampeggia mentre la carica è in corso.
- ◆ Il completamento della carica sarà indicato dal LED verde che rimane acceso fisso.

La batteria a quel punto è completamente carica e può essere utilizzata in subito o lasciata nel caricabatterie.

**Nota:** ricaricare le batterie scariche al più presto dopo l'uso, altrimenti la loro durata potrebbe diminuire notevolmente. Per la massima durata delle batterie, non lasciarle scaricare completamente.

Consigliamo di ricaricare le batterie dopo ciascun impiego.

## Lasciare la batteria nel caricabatterie (batteria e caricabatterie potrebbero non essere inclusi)

Il caricabatterie e la batteria possono essere lasciati collegati con il LED acceso per un tempo indefinito. Il caricabatterie manterrà il pacco batteria come nuovo e completamente carico.

## Note importanti sulla carica (batteria e caricabatterie potrebbero non essere inclusi)

- ◆ È possibile ottenere la massima durata e prestazioni ottimali se la batteria viene caricata in un ambiente con una temperatura dell'aria compresa tra 18 °C e 24 °C (65 °F e 75 °F). NON caricare la batteria a una temperatura dell'aria inferiore a +4,5 °C (+40 °F) o superiore a +40,5 °C (+105 °F). Questo fatto è importante e consentirà di evitare gravi danni al pacco batteria.
- ◆ Il caricabatterie e la batteria possono diventare caldi al tatto durante la carica. È un fatto normale che non indica la presenza di problemi. Per facilitare il raffreddamento della batteria dopo l'uso, evitare di posizionare il caricabatterie o il pacco batteria in un ambiente caldo, come ad esempio un capannone di metallo o un rimorchio non isolato.
- ◆ Se la batteria non si carica correttamente:
  - ◆ controllare la presenza di corrente nella presa collegandovi una lampada o apparecchio simile;
  - ◆ verificare se la presa è collegata a un interruttore della luce che si spegne quando si spengono le luci;
  - ◆ spostare il caricabatterie e la batteria in un luogo dove la temperatura dell'aria circostante è di circa 18 °C - 24 °C (65 °F - 75 °F).
  - ◆ Se i problemi di carica persistono, portare l'elettroutensile, la batteria e il caricabatterie presso il centro di assistenza di zona.
- ◆ La batteria deve essere sostituito se non riesce a produrre energia a sufficienza per lavori che prima venivano svolti con facilità. NON CONTINUARE a usarla in queste condizioni. Seguire la procedura di carica. È anche possibile caricare una batteria parzialmente utilizzata ogni volta che si desidera senza alcun effetto negativo sulla batteria stessa.

- ◆ Materiali estranei di natura conduttiva quali, a titolo esemplificativo, ma non esaustivo, lana d'acciaio, fogli di alluminio o qualsiasi accumulo di particelle metalliche devono essere tenuti lontano dalle cavità del caricabatterie. Staccare sempre il caricabatterie dalla presa di corrente quando la batteria non è inserita. Staccare il caricabatterie dalla presa di corrente prima di iniziarlo a pulirlo.
- ◆ Non immergere nessuna parte dell'elettrodomestico in acqua o in altre sostanze liquide.

**Avvertenza!** Non far penetrare alcun liquido all'interno del caricabatterie. Non tentare mai di aprire la batteria per alcun motivo. Se l'involucro in plastica della batteria si rompe o si crepa, portarlo presso un centro di assistenza per il suo riciclaggio.

### Batteria guasta (la batteria potrebbe non essere inclusa)

Se compare il motivo di lampeggiamento che segnala un guasto alla batteria, non continuare a caricarla. Portarla presso un centro di assistenza o un sito di raccolta per il riciclaggio.

### Ritardo per batteria calda/fredda (batteria e caricabatteria potrebbero non essere inclusi)

Quando il caricabatterie rileva una batteria troppo calda o troppo fredda, avvia automaticamente un Ritardo per batteria calda/fredda, sospendendo la carica finché la batteria non ha raggiunto una temperatura adeguata. Il caricabatterie passa quindi automaticamente alla modalità di carica. Questa funzione garantisce la massima durata della batteria. Una batteria fredda si carica a una velocità inferiore rispetto a una batteria calda. La batteria ricarica a una velocità rallentata per tutto il ciclo di caricamento e non torna alla velocità di carica massima anche se si scalda.

### Inserimento e rimozione della batteria dall'utensile (la batteria potrebbe non essere inclusa)

**Avvertenza!** Prima di tentare una delle seguenti operazioni, verificare che l'elettrotensile sia spento e scollegato dalla presa elettrica e che la lama sia ferma.

#### Installazione della batteria (Fig. A)

- ◆ Inserire batteria nell'utensile, come illustrato nella Figura A.
- ◆ Assicurarsi che la batteria sia insediata a fondo e completamente bloccata in posizione.

#### Estrazione della batteria (Fig. B)

- ◆ Premere il pulsante di rilascio della batteria, come illustrato nella Figura B ed estrarre la batteria dall'utensile.

### Sostegno dei pannelli di grandi dimensioni / Fissaggio del pezzo da lavorare (Fig. C)

- ◆ Sorreggere i pannelli più grandi per limitare il rischio che la lama si incastri o causi dei contraccolpi. I pannelli più grandi tendono a incurvarsi sotto il proprio peso, come illustrato nella Figura C.
- ◆ Sotto questi pannelli, è necessario inserire da entrambi i lati dei supporti idonei, sia lungo la linea di taglio che lungo i bordi.
- ◆ Non tenere mai il pezzo da tagliare in mano o appoggiato sulla coscia (Fig. D).
- ◆ Fissare il pezzo in lavorazione su una base di sostegno stabile, come illustrato nella Figura E. Per ridurre al minimo il pericolo di un contatto con il corpo, l'inzeppamento della lama oppure la perdita del controllo, è importante fissare bene il pezzo in lavorazione.

### Regolazione della profondità del taglio (Figg. F - G)

- ◆ La profondità del taglio deve essere regolata in base allo spessore del pezzo da lavorare.
- ◆ Allentare la manopola di regolazione profondità (6) per sbloccare il pattino (5), come illustrato nella Figura F.
- ◆ Spostare il pattino nella posizione desiderata. La corrispondente profondità di taglio può essere letta sulla scala (12).
- ◆ Regolare la profondità in modo che un solo dente (10) della lama fuoriesca sotto il pezzo da lavorare (16), come illustrato nella Figura G.
- ◆ Serrare la manopola per bloccare in sede il pattino.

### Regolazione dell'angolo di smusso (Fig. K)

Su questo elettrotensile è possibile regolare gli angoli di smusso tra 0° e 50°.

- ◆ Allentare la manopola di regolazione inclinazione (15) per sbloccare il pattino della sega (5).
- ◆ Spostare il pattino (5) nella posizione desiderata. Il corrispondente angolo di smusso può essere letto sulla scala (9).
- ◆ Serrare la manopola di regolazione inclinazione (15) per bloccare in sede il pattino.
- ◆ Verificare la precisione dell'impostazione controllando l'angolo di smusso di un taglio effettivo realizzato su un pezzo di materiale di scarto.

### Regolazione del pattino per tagli a 90°

Il pattino (5) è stato tarato dalla fabbrica in modo da assicurare che la lama sia perpendicolare al pattino nella posizione corrispondente a un angolo di smusso di 0°.

SE È NECESSARIO L'ALLINEAMENTO:

- ◆ Regolare la sega circolare nella posizione corrispondente a un angolo di smusso di 0°.
- ◆ Ritirare la protezione inferiore della lama (11).

- ◆ Allentare la manopola di regolazione inclinazione (15). Posizionare una squadra contro la lama (10) e il pattino (5) per regolare l'angolo a 90°.
- ◆ Allentare il controdado (16) e spostare la vite di regolazione (19) (supplemento della Figura H) in modo che il pattino della sega si arresti in corrispondenza dell'angolo corretto. Serrare nuovamente il controdado contro il pattino, mantenendo la vite di regolazione in posizione.
- ◆ Verificare la precisione dell'impostazione controllando la squadratura di un taglio effettivo realizzato su un pezzo di materiale di scarto.

### Montaggio e rimozione della lama (Figg. I - J)

- ◆ Ritirare la protezione inferiore e assemblare la lama (10) e la rondella di bloccaggio (20), come illustrato nella Figura I.
- ◆ Premere il blocco alberino (16) facendo ruotare il bullone della lama (21) con l'attrezzo di bloccaggio (13), finché il blocco della lama si innesta e la lama smette di ruotare.

**Nota:** la filettatura del bullone è sinistrorsa. Per allentare il bullone, ruotarlo in senso orario. Per serrare il bullone, ruotarlo in senso antiorario.

**Nota:** non innestare mai il blocco della lama quando la sega è accesa, né per cercare di arrestare l'utensile.

Non accendere mai la sega quando il blocco dell'alberino è innestato, altrimenti subirà gravi danni.

### Protezione della lama inferiore

**Avvertenza!** Pericolo di lacerazione. La protezione inferiore della lama è un dispositivo di sicurezza che riduce il rischio di subire gravi lesioni personali. Non utilizzare mai la sega se la protezione inferiore manca, è danneggiata, montata erroneamente o non funziona correttamente. Non fare affidamento sulla protezione inferiore della lama in qualsiasi evenienza. La sicurezza dell'operatore dipende anche dal rispetto di tutte le avvertenze e precauzioni, nonché dal funzionamento corretto della sega. Verificare che la protezione inferiore si chiuda correttamente prima di ogni utilizzo, come indicato al capitolo "Ulteriori istruzioni di sicurezza specifiche per le seghe circolari". Se la protezione inferiore della lama inferiore manca o non funziona correttamente, fare riparare la sega prima dell'uso. Per garantire la sicurezza e l'affidabilità del prodotto, le operazioni di riparazione, manutenzione e regolazione devono essere effettuate da un centro di assistenza autorizzato o da un altro centro di assistenza qualificato, utilizzando sempre parti di ricambio identiche.

**Avvertenza!** Per minimizzare il rischio di lesioni agli occhi, indossare sempre una protezione oculare adeguata. Corpi estranei presenti nel pezzo da lavorare, come fili metallici o chiodi, possono causare la rottura o la spaccatura delle punte. Utilizzare la sega soltanto quando è stata installata una protezione appropriata. Fissare saldamente la lama nel senso di rotazione corretto prima dell'uso e usare sempre una lama pulita e affilata.

**Avvertenza!** Per ridurre il rischio di lesioni alle persone, sostenere adeguatamente il pezzo da lavorare e tenere saldamente la sega per impedire la perdita di controllo. La Figura E illustra come sostenere tipicamente il pezzo con le mani.

### Utilizzo

**Avvertenza!** Per ridurre il rischio di gravi lesioni personali, leggere, comprendere e seguire tutte le importanti avvertenze di sicurezza e le istruzioni prima di utilizzare l'elettro utensile.

### Selezione della lama

Questa sega circolare è stata progettata per l'uso con lame del diametro di 140 x 2 mm e con un foro centrale del diametro di 12,7 mm. Le lame devono essere classificate per il funzionamento a 7000 giri/min o (a una velocità superiore). NON usare dischi abrasivi.

### Tagli generici

**Avvertenza!** Per ridurre il rischio di lesioni personali, rimuovere la batteria e seguire tutte le istruzioni di montaggio, taratura e regolazione.

Assicurarsi che la protezione inferiore della lama funzioni correttamente. Selezionare la lama corretta per il materiale da tagliare.

- ◆ Misurare e tracciare punti di riferimento per il taglio sul pezzo da lavorare.
- ◆ Sostenere e fissare opportunamente il pezzo da lavorare (Vedere le Norme e istruzioni di sicurezza).
- ◆ Utilizzare i dispositivi di sicurezza richiesti (Vedere le Norme di sicurezza).
- ◆ Provvedere alla sicurezza e alla manutenzione dell'area di lavoro (Vedere le Norme di sicurezza).
- ◆ Con la batteria inserita, accertarsi che la sega si accenda e si spenga.

### Pulsante di sicurezza

L'elettro utensile è dotato di un pulsante di sicurezza che blocca il grilletto di accensione/spegnimento della sega per impedire che sia avviata accidentalmente.

- ◆ Per mettere in funzione l'utensile premere il pulsante di sicurezza (2) da uno dei lati della sega e, mantenendolo premuto, premere il grilletto di accensione/spegnimento (3).
- ◆ Dopo avere premuto il grilletto di accensione/spegnimento e una volta avviata la sega, rilasciare il pulsante di sicurezza.
- ◆ L'utensile continua a funzionare fino a quando non viene rilasciato il grilletto di accensione/spegnimento.
- ◆ Per spegnere l'utensile, rilasciare il grilletto di accensione/spegnimento.

**Nota:** questo utensile non prevede il blocco del grilletto di accensione/spegnimento nella posizione di accensione e non deve essere bloccato in tale posizione con nessun altro metodo.

### Freno elettrico automatico

La sega è provvista di un freno elettrico che arresta la lama entro 1-2 secondi dal rilascio del grilletto di accensione/spegnimento. Questo freno è automatico e non necessita di essere regolato.

### Segatura

**Avvertenza!** Per ridurre il rischio di gravi lesioni personali, tenere sempre l'utensile con entrambe le mani.

- ◆ Prima di iniziare a tagliare, lasciare che la lama ruoti liberamente per alcuni secondi.
- ◆ Mentre si esegue il taglio esercitare solo una leggera pressione sull'utensile.
- ◆ Lavorare con il pattino della sega premuto contro il pezzo.

### Consigli per un utilizzo ottimale

- ◆ Non essendo possibile evitare un certo grado di scheggiatura lungo la linea di taglio sul lato superiore del pezzo, tagliare dal lato dove tale scheggiatura è accettabile.
- ◆ Se è necessario limitare tale scheggiatura, ad esempio quando si tagliano dei laminati, attaccare con dei morsetti una striscia di compensato sulla parte superiore del pezzo da lavorare.

### Taglio "a tasca" (Fig. K)

**Avvertenza!** Non legare mai la protezione della lama in posizione sollevata. Non spostare mai la sega all'indietro durante il taglio a tasca. Questo potrebbe provocare il sollevamento dell'unità dalla superficie di lavoro, con la possibilità di causare lesioni personali. Un taglio "a tasca" viene realizzato quando il bordo del materiale non apre la protezione inferiore, ma il bordo inferiore della lama che ruota taglia il materiale nel centro.

- ◆ Regolare il pattino della sega (5) in modo tale che la lama tagli alla profondità desiderata.
- ◆ Inclinare la sega in avanti e appoggiare la parte anteriore del pattino sul materiale da tagliare.
- ◆ Utilizzando l'apposita leva, ritrarre la protezione della lama inferiore nella posizione superiore. Abbassare la parte posteriore del pattino finché i denti della lama sfiorano quasi la linea di taglio.
- ◆ Rilasciare la protezione della lama (il suo contatto con il pezzo da lavorare la manterrà in posizione di libera apertura quando si avvia il taglio).
- ◆ Togliere la mano dalla leva della protezione e afferrare saldamente l'impugnatura secondaria (7), come illustrato nella Figura N.

Posizionare il corpo e il braccio in modo da resistere a un eventuale contraccolpo della sega.

- ◆ Assicurarsi che la lama non sia a contatto con la superficie di taglio prima di avviare la sega.
- ◆ Avviare il motore e lasciare che la lama raggiunga la piena velocità, quindi abbassare gradualmente la sega finché il pattino rimane appoggiato al materiale da tagliare. Far avanzare la sega lungo la linea di taglio finché il taglio non viene completato, come illustrato nella Figura K.
- ◆ Rilasciare il grilletto e attendere che la lama si arresti completamente prima di estrarla dal materiale.
- ◆ Quando si avvia un nuovo taglio, ripetere la procedura descritta in precedenza.

### Ricerca guasti

Problema	Possibile causa	Possibile soluzione
L'unità non parte.	La batteria non è stata installata correttamente.	Verificare l'installazione della batteria.
	La batteria non si è caricata.	Controllare i requisiti di carica della batteria.
Il motore si spegne durante la segatura.	La batteria non è inserita nel caricabatterie.	Inserire la batteria nel caricabatterie finché il LED verde si illumina.
	Il caricabatterie non è collegato a una presa di corrente.	Collegare il caricabatterie a una presa di corrente che funzioni. Consultare "Note importanti sulla carica" per ulteriori dettagli.
	La temperatura dell'aria circostante è troppo alta o troppo bassa.	Spostare il caricabatterie e l'utensile in un luogo con una temperatura dell'aria circostante superiore a 4,5 °C (40 °F) o inferiore a +40,5 °C (105 °F).
L'utensile si spegne improvvisamente.	La batteria ha raggiunto il proprio limite termico massimo.	Lasciare che la batteria si raffreddi.
	Carica esaurita. (Per massimizzare la durata della batteria, essa è progettata per spegnersi immediatamente quando la carica è esaurita).	Posizionare sul caricabatterie e consentire la ricarica.

### Accessori

Le prestazioni dell'elettro utensile dipendono dall'accessorio usato. Gli accessori BLACK+DECKER sono stati fabbricati in base a standard qualitativi elevati e sono stati progettati per ottenere le migliori prestazioni dall'elettro utensile. Utilizzando questi accessori si otterrà il meglio dall'elettro utensile.

### Manutenzione

Questo elettro utensile è stato progettato per funzionare a lungo con una manutenzione minima. Prestazioni sempre soddisfacenti dipendono da una cura appropriata e da una pulizia regolare.

**Avvertenza!** Prima di eseguire operazioni di manutenzione, spegnere l'elettro utensile ed estrarre la spina dalla presa di corrente.

- ◆ Le prese di ventilazione dell'elettrotensile devono essere pulite regolarmente con un pennello morbido o un panno asciutto.
- ◆ Il vano del motore deve essere pulito regolarmente con un panno umido. Non usare materiali abrasivi o detergenti a base di solventi.

## Protezione dell'ambiente



Raccolta differenziata. I prodotti e le batterie contrassegnati con questo simbolo non devono essere smaltiti con i rifiuti domestici normali.

Essi contengono materiali che possono essere recuperati o riciclati riducendo la richiesta di materie prime.

Riciclare i prodotti elettrici e le batterie secondo le disposizioni locali. Ulteriori informazioni sono disponibili all'indirizzo [www.2helpU.com](http://www.2helpU.com).

## Dati tecnici

BDCCS18 H1		
Tensione in ingresso	$V_{ac}$	18
Velocità a vuoto	$min^{-1}$	3700 giri/min
Profondità max. del taglio	mm	43
Profondità max. del taglio con un angolo di smusso di 45°	mm	35
Diametro lama	mm	140
Alesatura lama	mm	12,7
Larghezza dente lama	mm	2,0
Peso	kg	2,08

Caricabatterie		905902**/ N4940**	905998**/ 906349**
Tensione in ingresso	$V_{ac}$	100-240	220-240
Tensione in uscita	$V_{dc}$	8-20	8-20
Corrente	mA	400	1000
Tempo di carica approssimativo	Ore	3-11	1.5-5

Batteria (dove in dotazione)		BL2018*	BL1518*	BL4018
Voltage	$V_{dc}$	18	18	18
Capacity	Ah	2.0	1.5	4.0
Type		Li-Ion	Li-Ion	Li-Ion

$L_{pa}$ (pressione sonora) 76,0 dB(A), incertezza (K) 3 dB(A)
$L_{wa}$ (pressione acustica) 87,0 dB(A), incertezza (K) 3 dB(A)
Valori totali vibrazioni (somma vettoriale triassiale) in base a EN 62841:
Taglio del legno ( $a_{rw}$ ) 1,5 $m/s^2$ , Incertezza (K) 1,5 $m/s^2$

## Dichiarazione di conformità CE

DIRETTIVA MACCHINE



### BDCCS18 - Sega circolare

Black&Decker dichiara che i prodotti descritti al paragrafo "Dati tecnici" sono conformi alle seguenti normative: EN62841-1:2015, EN62841-2-5:2014.

Questi prodotti sono conformi alla Direttiva 2006/42/EC, 2014/30/UE e 2011/65/UE. Per maggiori informazioni contattare Black & Decker al seguente indirizzo oppure consultare l'ultima di copertina del manuale.

Il sottoscritto è responsabile della redazione di questo documento tecnico e rilascia questa dichiarazione per conto di Black&Decker.

A. P. Smith  
Technical Director  
Black & Decker Europe, 270 Bath Road, Slough,  
Berkshire, SL1 4DX  
Regno Unito  
30/04/2019

## Garanzia

Black & Decker è sicura della qualità dei propri prodotti e offre ai consumatori una garanzia di 24 mesi dalla data di acquisto. Il presente certificato di garanzia è complementare ai diritti legali e non li pregiudica in alcun modo. La garanzia è valida sui territori degli Stati membri dell'Unione Europea o dell'EFTA (Associazione europea di libero scambio).

Per attivare la garanzia, il reclamo deve essere effettuato in accordo con i Termini e Condizioni Black & Decker e sarà necessario presentare la prova di acquisto al venditore o all'agente di riparazione autorizzato. I Termini e condizioni della garanzia Black&Decker di 2 anni e la sede del centro di riparazioni autorizzato più vicino sono consultabili su Internet all'indirizzo [www.2helpU.com](http://www.2helpU.com), o contattando l'ufficio Black&Decker di zona all'indirizzo indicato in questo manuale.

Visitare il nostro sito [www.blackanddecker.it](http://www.blackanddecker.it) per registrare il prodotto Black & Decker appena acquistato e ricevere gli aggiornamenti sui nuovi prodotti e le offerte speciali.

## Bedoeld gebruik

De BLACK+DECKER-cirkelzaag BDCCS18 is ontworpen voor het zagen van hout en houtproducten. Dit gereedschap is uitsluitend bestemd voor consumentengebruik.

## Veiligheidsinstructies

### Algemene veiligheidswaarschuwingen voor elektrisch gereedschap



**Waarschuwing! Lees alle veiligheidswaarschuwingen en alle instructies, illustraties en specificaties die bij dit gereedschap zijn meegeleverd.** Wanneer de volgende waarschuwingen en voorschriften niet in acht worden genomen, kan dit een elektrische schok, brand of ernstig letsel tot gevolg hebben.

### Bewaar alle waarschuwingen en instructies als referentiemateriaal.

De hierna gebruikte term 'elektrisch gereedschap' in alle waarschuwingen die hieronder worden vermeld, heeft betrekking op elektrisch gereedschap voor gebruik op netspanning (met netsnoer) of met een accu (snoerloos).

#### 1. Veilige werkomgeving

- a. **Houd uw werkomgeving schoon en goed verlicht.** Op rommelige of donkere plekken zullen sneller ongelukken gebeuren.
- b. **Werk niet met elektrisch gereedschap in een omgeving met explosiegevaar, zoals in de nabijheid van brandbare vloeistoffen, gassen of stof.** Elektrisch gereedschap veroorzaakt vonken die het stof of de dampen kunnen doen ontbranden.
- c. **Houd kinderen en omstanders tijdens het gebruik van elektrisch gereedschap op afstand.** Als u wordt afgeleid, kunt u de controle over het gereedschap verliezen.

#### 2. Elektrische veiligheid

- a. **De netstekker van het elektrisch gereedschap moet in het stopcontact passen. Pas de stekker nooit op enige manier aan. Gebruik geen adapterstekkers in combinatie met geaard elektrisch gereedschap.** Niet-aangepaste stekkers en passende contactdozen verminderen het risico van een elektrische schok.
- b. **Vermijd aanraking van het lichaam met gearde oppervlakken, bijvoorbeeld buizen, verwarmingen, fornuizen en koelkasten.** Er bestaat een verhoogd risico van een elektrische schok als uw lichaam contact heeft met aarde.
- c. **Stel elektrisch gereedschap niet bloot aan regen en vocht.** Als er water in een elektrisch gereedschap dringt, verhoogt dit het risico van een elektrische schok.

- d. **Behandel het snoer voorzichtig. Gebruik het snoer nooit om het elektrisch gereedschap te dragen of naar u toe te trekken, of de stekker uit het stopcontact te halen. Houd het snoer uit de buurt van warmtebronnen, olie, scherpe randen, of bewegende onderdelen.** Beschadigde snoeren of snoeren die in de war zijn geraakt, verhogen het risico van een elektrische schok.
- e. **Gebruik, wanneer u buitenshuis met elektrisch gereedschap werkt, alleen verlengsnoeren die zijn goedgekeurd voor gebruik buitenshuis.** Het gebruik van een verlengsnoer dat geschikt is voor buiten vermindert het risico van een elektrische schok.
- f. **Als u met elektrisch gereedschap werkt op een vochtige locatie, gebruik dan een aardlekschakelaar (RCD).** Het gebruik van een aardlekschakelaar vermindert het risico van een elektrische schok.

#### 3. Persoonlijke veiligheid

- a. **Blijf alert, let goed op wat u doet en ga met verstand te werk bij het gebruik van elektrisch gereedschap. Gebruik elektrisch gereedschap niet als u vermoeid bent of onder de invloed van drugs, alcohol of medicatie bent.**  
Een moment van onoplettendheid tijdens het werken met elektrisch gereedschap kan leiden tot ernstig persoonlijk letsel.
- b. **Draag persoonlijke beschermende uitrusting. Draag altijd oogbescherming.** Beschermende uitrusting, zoals een stofmasker, antislip veiligheidsschoenen, een helm, of gehoorbescherming, gebruikt in de juiste omstandigheden, zal het risico op persoonlijk letsel verminderen.
- c. **Voorkom per ongeluk inschakelen. Controleer dat de schakelaar in de uit-stand staat voordat u het gereedschap aansluit op het stopcontact en/of de accu plaatst en voordat u het gereedschap optilt of gaat dragen.** Het dragen van elektrisch gereedschap met uw vinger op de schakelaar of het aanzetten van elektrisch gereedschap waarvan de schakelaar aan staat, kan leiden tot ongelukken.
- d. **Verwijder instelgereedschap of schroefslutels voordat u het elektrisch gereedschap inschakelt.** Een steeksleutel of een inbussleutel in een draaiend deel van het elektrisch gereedschap kan tot persoonlijk letsel leiden.
- e. **Reik niet buiten uw macht. Blijf altijd stevig en in balans op de grond staan.** Dit geeft u betere controle over het elektrisch gereedschap in onverwachte situaties.
- f. **Draag geschikte kleding. Draag geen loszittende kleding of sieraden. Houd uw haar, kleding en handschoenen uit de buurt van bewegende onderdelen.** Loszittende kleding, sieraden of lang haar kunnen door bewegende delen worden gegrepen.



- g. Als voorzieningen voor stofafzuiging of stofopvang kunnen worden gemonteerd, controleer dan dat deze zijn aangesloten en op de juiste wijze worden gebruikt. Het gebruik van stofafzuiging kan aan stof gerelateerde gevaren verminderen.
- h. Word niet gemakzuchtig doordat u door veelvuldig gebruik vertrouwd bent geraakt met het gereedschap, en verlies niet de veiligheidsbeginselen uit het oog. Een onvoorzichtige handeling kan in een fractie van een seconde ernstig letsel tot gevolg hebben.
4. Gebruik en onderhoud van elektrisch gereedschap
- a. **Overbelast het elektrisch gereedschap niet. Gebruik het juiste elektrisch gereedschap voor uw toepassing.** Met het juiste elektrisch gereedschap kunt u de werkzaamheden waarvoor het gereedschap is ontworpen, beter en veiliger uitvoeren.
- b. **Gebruik het elektrisch gereedschap niet als de schakelaar niet goed werkt.** Ieder elektrisch gereedschap dat niet met de schakelaar kan worden bediend, is gevaarlijk en moet worden gerepareerd.
- c. **Trek de stekker uit het stopcontact en/of de accu uit het elektrisch gereedschap voordat u het gereedschap instelt, accessoires wisselt of het elektrisch gereedschap opbergt.** Dergelijke preventieve veiligheidsmaatregelen verminderen het risico dat het elektrisch gereedschap per ongeluk wordt gestart.
- d. **Bewaer elektrisch gereedschap dat niet wordt gebruikt, buiten bereik van kinderen. Laat niet personen die er niet vertrouwd mee zijn en deze aanwijzingen niet hebben gelezen met het gereedschap werken.** Elektrisch gereedschap is gevaarlijk in handen van ongetrainde gebruikers.
- e. **Onderhoud elektrisch gereedschap en accessoires goed. Controleer dat bewegende delen van het elektrisch gereedschap wel goed functioneren en niet klemmen, en dat er niet onderdelen zodanig zijn gebroken of beschadigd dat de werking van het gereedschap nadelig wordt beïnvloed. Laat het gereedschap voor gebruik repareren als het beschadigd is.** Veel ongelukken worden veroorzaakt door slecht onderhouden elektrisch gereedschap.
- f. **Houd zaag- en snijgereedschap scherp en schoon.** Goed onderhouden zaaggereedschap met scherpe snijvlakken loopt minder snel vast en is gemakkelijker onder controle te houden.
- g. **Gebruik elektrisch gereedschap, accessoires, zaagjes en boortjes, enz., volgens deze aanwijzingen. Let daarbij op de arbeidsomstandigheden en de uit te voeren werkzaamheden.** Gebruik van het elektrisch gereedschap voor werkzaamheden die anders zijn dan bedoeld, kan leiden tot een gevaarlijke situatie.
- h. **Houd de handgrepen droog, schoon en vrij van olie en vet. Gladde handgrepen en grip-oppervlakken maken het moeilijk het gereedschap veilig te hanteren en onder controle te houden in onverwachte situaties.**
5. Gebruik en onderhoud van accugereedschap
- a. **Laad accu's alleen op met de door de fabrikant aanbevolen lader.** Een lader die geschikt is voor het ene type accu, kan een risico van brand doen ontstaan bij gebruik met een andere accu.
- b. **Gebruik elektrisch gereedschap alleen in combinatie met specifiek vermelde accu's.** Het gebruik van andere accu's kan gevaar voor letsel en brand opleveren.
- c. **Houd de accu, wanneer u deze niet gebruikt, weg bij andere metalen objecten zoals paperclips, munten, sleutels, spijkers, schroeven of andere kleine metalen voorwerpen die een verbinding tot stand kunnen brengen tussen de ene pool en de andere.** Als kortsluiting tussen de polen van de accu wordt gemaakt, kan dit tot brandwonden of brand leiden.
- d. **Wanneer de accu slecht wordt behandeld, kan er vloeistof uit de accu spuiten, vermijd contact met deze vloeistof. Als er per ongeluk contact ontstaat, spoel dan met water. Als de vloeistof in de ogen komt, roep dan tevens medische hulp in.** Vloeistof uit de accu kan irritatie en brandwonden veroorzaken.
- e. **Gebruik niet accu's of gereedschappen die beschadigd zijn of waaraan wijzigingen zijn aangebracht.** Beschadigde of gemodificeerde accu's kunnen zich onvoorspelbaar gedragen wat brand, explosie of een risico van letsel met zich mee kan brengen.
- f. **Stel een accu of gereedschap niet bloot aan vuur of uitzonderlijk hoge temperaturen.** Blootstelling aan brand of een temperatuur boven 130° C kan explosie tot gevolg hebben.
- g. **Volg alle instructies voor het opladen en laad de accu of het gereedschap niet bij een temperatuur buiten het temperatuurbereik dat wordt opgegeven in de instructies.** Onjuist opladen of opladen bij temperaturen buiten het opgegeven bereik kan de accu beschadigen en het risico van brand vergroten.
6. Service
- a. **Laat het gereedschap alleen repareren door gekwalificeerd en vakkundig personeel en alleen met originele vervangingsonderdelen.** De veiligheid van het gereedschap blijft dan gewaarborgd.
- b. **Voer nooit servicewerkzaamheden uit aan accu's.** Alleen de fabrikant of een geautoriseerd servicecentrum mag servicewerkzaamheden aan accu's uitvoeren.

## Aanvullende veiligheids waarschuwingen voor elektrisch gereedschap



**Waarschuwing!** Aanvullende veiligheids waarschuwingen voor cirkelzagen

### Zaagprocedures



**Houd uw handen verwijderd van het zaaggebied en het zaagblad. Houd uw tweede hand op de hulphandgreep of op het motorhuis.**

Als u met beide handen de zaag vasthoudt, kunt u niet met uw handen het zaagblad aanraken.

- ◆ **Reik niet onder het werkstuk.** Onder het werkstuk kan de kap u niet beschermen tegen het zaagblad.
- ◆ **Pas de zaagdiepte aan aan de dikte van het werkstuk.** Minder dan een volledige tand van de zaagbladtanden moet zichtbaar zijn onder het werkstuk.
- ◆ **Houd het werkstuk nooit in uw handen of op uw been. Zet het werkstuk vast op een stabiele ondergrond.** Het is belangrijk dat het werkstuk goed wordt ondersteund zodat blootstelling van het lichaam, vastlopen van het zaagblad of het verlies van controle tot een minimum worden beperkt.
- ◆ **Houd het gereedschap alleen vast bij de geïsoleerde greepoppervlakken als u een handeling uitvoert waar bij het zagen inzetgereedschap met onzichtbare draden of met het eigen snoer in aanraking kan komen.** Als een onder spanning staand snoer wordt geraakt, komen ook onbedekte metalen onderdelen van het gereedschap onder spanning, en kunt u een elektrische schok krijgen.
- ◆ **Wanneer u gaat schulpen, moet u altijd een langsgelider of een richtlijnaal gebruiken.** De nauwkeurigheid van het zagen neemt toe en is er minder kans dat het zaagblad vastloopt.
- ◆ **Gebruik altijd zaagbladen van de juiste omvang en vorm (ruitvormig tegenover rond) van het asgat.** Zaagbladen die niet passen bij de montagevoorziening van de zaag, zullen excentrisch lopen, waardoor verlies van controle ontstaat.
- ◆ **Gebruik nooit beschadigde of onjuiste zaagbladringen of een onjuiste zaagbladbout.** De zaagbladringen en -bout zijn speciaal voor uw zaag ontworpen, voor optimale prestaties en veiligheid in gebruik.

### Verdere veiligheidsinstructies voor alle zagen

#### Oorzaken van terugslag en gerelateerde waarschuwingen

- ◆ terugslag is een plotselinge reactie bij een bekneld, vastgelopen of verkeerd uitgelijnd zaagblad, waardoor de gebruiker de controle over de zaag kan verliezen en de zaag uit het werkstuk omhoog kan komen naar de gebruiker;

- ◆ wanneer het zaagblad bekneld raakt of vastloopt in de zaagsnede die zich sluit, komt het zaagblad tot stilstand en stuurt de reactie van de motor de machine snel in achterwaartse richting de gebruiker;
- ◆ als het zaagblad krom wordt of verkeerd uitgelijnd raakt in de zaagsnede, kunnen de tanden aan de achterzijde van het zaagblad zich in het bovenoppervlak van het hout vreten, waardoor het zaagblad uit de zaagsnede omhoog klimt naar de gebruiker

Terugslag is het gevolg van verkeerd gebruik en/of onjuiste bediening of gebruiksomstandigheden en kan worden voorkomen door geschikte voorzorgen te nemen zoals hieronder aangegeven.

- ◆ **Blijf de zaag stevig met beide handen vasthouden en plaats uw armen zodanig dat u een eventuele terugslag kunt tegenhouden. Plaats uw lichaam aan één van beide zijden van het zaagblad, maar niet in lijn met het zaagblad.** Door terugslag kan de zaag naar achteren springen, maar de krachten van de terugslag kunnen door de gebruiker worden gecontroleerd, als de juiste voorzorgsmaatregelen worden genomen.
- ◆ **Wanneer het blad vast komt te zitten, of wanneer u het zagen om welke reden dan ook wilt onderbreken, laat u de schakelaar los en houdt u de zaag zonder beweging in het materiaal totdat het blad tot volledige stilstand is gekomen. Probeer nooit de zaag uit het werkstuk te trekken of de zaag naar achteren te trekken terwijl het zaagblad loopt of wanneer terugslag zich kan voordoen.** Zoek naar de oorzaak van het vastlopen en neem de geschikte maatregelen om die oorzaak te verhelpen.
- ◆ **Centreer, wanneer u een zaag opnieuw start in het werkstuk, het zaagblad in de zaagsnede en controleer dat de zaagtanden niet in het materiaal vastzitten.** Als het zaagblad vast zit, kan het uit het werkstuk omhoog lopen of terugslaan uit het werkstuk wanneer de zaag opnieuw wordt gestart.
- ◆ **Ondersteun grote panelen zodat het risico van het bekneld raken van het zaagblad en van terugslag tot een minimum wordt beperkt.** Grote panelen zakken vaak door onder hun eigen gewicht. Er moet aan beide zijden ondersteuning onder het paneel worden geplaatst, dicht bij de zaagsnede en dicht bij de rand van het paneel.
- ◆ **Gebruik geen botte of beschadigde bladen.** Bij niet-geslepen of onjuist geplaatste zaagbladen krijgt u een nauwe zaagsnede, ontstaat te veelrijving, komt het zaagblad vast te zitten en treedt terugslag op.
- ◆ **Vergrendelingen van de zaagbladdiepte en afschu-inhoek moeten goed vastzitten voordat er wordt gezaagd.** Als het zaagblad tijdens het zagen verschuift, kan het vast komen te zitten en treedt terugslag op.
- ◆ **Wees extra voorzichtig wanneer u in bestaande muren of andere 'blinde' gebieden wilt zagen.**

Het vooruitstekende zaagblad kan voorwerpen zagen die terugslag kunnen veroorzaken.

### Functioneren van onderste beschermkap

- ◆ **Controleer voor ieder gebruik dat de onderste zaagbladbeschermkap goed sluit. Gebruik de zaag niet als de onderste beschermkap niet vrij beweegt en zich niet ogenblikkelijk sluit. Klem of bind de onderste beschermkap nooit vast in een geopende stand.** Als de zaag komt te vallen, kan de onderste beschermkap verbogen raken. Breng de onderste beschermkap met de terugtrekkende handgreep omhoog en controleer dat de kap vrij kan bewegen en onder geen enkele hoek en bij geen enkele zaagdiepte het zaagblad of een ander onderdeel raakt.
- ◆ **Controleer het veermechanisme voor de onderste beschermkap. Als de beschermkap en de veer niet goed werken, moeten zij vóór gebruik worden nagezien.** Mogelijk werkt de onderste beschermkap traag als gevolg van beschadigde onderdelen, ingedikte resten van smeermiddelen of opeenhoping van vuil.
- ◆ **U mag de onderste beschermkap alleen handmatig omhooghouden bij speciale bewerkingen, zoals dieptesneden en combinatiesneden.** Breng de onderste beschermkap omhoog door de handgreep terug te halen en laat de kap los zodra het zaagblad in het materiaal dringt. Voor alle andere zaagwerkzaamheden moet de onderste beschermkap automatisch functioneren.
- ◆ **Let er altijd goed op dat de onderste beschermkap het zaagblad bedekt voordat u de zaag op een werkbank of op de vloer zet.** Als het zaagblad niet wordt afgeschermd en nog draait, zal de zaag daardoor naar achteren lopen en alles wat hij tegenkomt beschadigen. Houd rekening met de tijd die het zaagblad nodig heeft om tot stilstand te komen nadat u de schakelaar hebt losgelaten.

### Veiligheid van anderen

Laat nooit kinderen, personen met verminderde fysieke, zintuiglijke of mentale vermogens of met een gebrek aan ervaring en kennis of mensen die niet bekend zijn met deze instructies, de machine gebruiken. Plaatselijk zal er misschien een leeftijdslimiet voor gebruikers gelden.

### Overige risico's

Er kunnen zich bij het gebruik van dit gereedschap nog meer risico's voordoen, die mogelijk niet in de bijgesloten veiligheidsaanschuivingen worden beschreven. Deze risico's kunnen zich voordoen door onoordeelkundig gebruik, langdurig gebruik, enz.

Zelfs wanneer de veiligheidsvoorschriften in acht worden genomen en de veiligheidsvoorzieningen worden gebruikt, kunnen bepaalde risico's niet worden uitgesloten. Dit zijn onder meer:

- ◆ Verwondingen die worden veroorzaakt door het aanraken van draaiende of bewegende onderdelen.
- ◆ Verwondingen die worden veroorzaakt bij het vervangen van onderdelen, bladen of accessoires.
- ◆ Verwondingen die worden veroorzaakt door langdurig gebruik van het gereedschap. Wanneer u langere periodes met de machine werkt, kunt u het beste regelmatig een pauze nemen.
- ◆ Gehoorbeschadiging.
- ◆ Gezondheidsrisico's als gevolg van het inademen van stof dat door gebruik van het gereedschap wordt veroorzaakt (bijvoorbeeld tijdens het werken met hout, met name eiken, beuken en MDF).

### Trillingen

De aangegeven waarden voor trillingsemisatie in de technische gegevens en de conformiteitverklaring, zijn gemeten conform een standaardtestmethode die door EN62841 wordt verstrekt. Hiermee kan het ene gereedschap met het andere worden vergeleken. De aangegeven waarde voor trillingsemisatie kan ook worden gebruikt bij een voorlopige bepaling van blootstelling.

**Waarschuwing!** De waarde voor trillingsemisatie tijdens het werkelijke gebruik van het gereedschap kan verschillen van de aangegeven waarde afhankelijk van de manieren waarop het gereedschap wordt gebruikt. Het trillingsniveau kan toeneemen tot boven het aangegeven niveau.

Bij beoordeling van de blootstelling aan trillingen met het doel vast te stellen welke veiligheidsmaatregelen 2002/44/EG vereist ter bescherming van personen die tijdens hun werk regelmatig elektrisch gereedschap gebruiken, moet bij een inschatting van de blootstelling aan trillingen rekening worden gehouden met de werkelijke gebruiksomstandigheden en de manier waarop het gereedschap wordt gebruikt. Daarbij moet ook rekening worden gehouden met alle onderdelen van de bedrijfscyclus, zoals wanneer het gereedschap wordt uitgeschakeld en wanneer het gereedschap stationair loopt en ook de aanlooptijd.

### Etiketten op het gereedschap

Naast de datumcode is het gereedschap voorzien van de volgende symbolen:



**Waarschuwing!** De gebruiker moet de instructiehandleiding lezen zodat het risico van letsel wordt beperkt.

### Aanvullende veiligheidsinstructies voor accu's en laders (misschien niet meegeleverd)

#### Accu's (misschien niet meegeleverd)

- ◆ Probeer nooit om welke reden dan ook de accu open te maken.

- ◆ Stel de accu niet bloot aan water.
- ◆ Bewaar de accu niet op locaties met temperaturen van meer dan 40 °C.
- ◆ Laad de accu alleen op bij een omgevingstemperatuur van 10°C tot 40°C.
- ◆ Gebruik alleen de lader die bij het gereedschap is geleverd.
- ◆ Gooi lege accu's weg volgens de instructies in het gedeelte "Milieu".

- 14. Stofafzuigpoort
- 15. Afstelknop schuine hoek
- 16. Asvergrendeling

### Laders (misschien niet meegeleverd)

- ◆ Gebruik de lader van BLACK+DECKER alleen voor de accu's in het gereedschap waarbij de lader is geleverd. Andere accu's kunnen openbarsten, met letsel en materiële schade tot gevolg.
- ◆ Niet-laadbare accu's mogen nooit worden opgeladen.
- ◆ Een defect snoer moet direct worden vervangen.
- ◆ Stel de lader niet bloot aan water.
- ◆ Open de lader niet.
- ◆ Prik nooit met een scherp voorwerp in de lader.



De lader is uitsluitend bestemd voor gebruik binnenshuis.



Lees de instructiehandleiding voordat u de lader in gebruik neemt.

### Elektrische veiligheid



De lader is dubbel geïsoleerd, en daarom is een aardedraad niet nodig. Controleer altijd dat de netspanning overeenkomt met de waarde op het typeplaatje. Probeer nooit de lader te voorzien van een normale netstekker.

- ◆ Als het netsnoer is beschadigd, moet het worden vervangen door de fabrikant of een BLACK+DECKER-servicecentrum zodat gevaarlijke situaties worden voorkomen.

### Functies

Dit gereedschap is voorzien van enkele of alle van de volgende functies.

1. Hoofdhandgreep
2. Knop voor vergrendeling in de uit-stand
3. Aan/uit-schakelaar
4. Accu (misschien niet meegeleverd)
5. Zool
6. Diepteafstellingsknop
7. Steungreep
8. Bovenste beschermkap
9. Schaalverdeling afstelling schuine hoek
10. Blad
11. Onderste zaagbladbeschermkap
12. Schaalverdeling voor diepteafstelling
13. Zaagbladsleutel

### Laadprocedure (lader misschien niet meegeleverd)

BLACK+DECKER-laders zijn ontworpen voor het laden van BLACK+DECKER-accu's.

- ◆ Steek de lader in een geschikt stopcontact voordat u de accu plaatst.
- ◆ Plaats de accu in de lader.
- ◆ Het groene oplaadlampje gaat knipperen ten teken dat de accu wordt opgeladen.
- ◆ Wanneer de accu geheel is opgeladen, blijft het groene lampje ononderbroken branden. De accu is volledig opgeladen en kan worden gebruikt of in de lader blijven zitten.

**Opmerking:** Laad accu's die leeg zijn zo spoedig mogelijk na gebruik op, omdat anders de levensduur van de accu mogelijk ernstig wordt bekort. Accu's hebben de langste levensduur wanneer u ze niet volledig ontlaadt.

Aangeraden wordt de accu's na elk gebruik op te laden.

### De accu in de lader laten (lader misschien niet meegeleverd)

U kunt de accu voor onbepaalde tijd in de lader laten terwijl het LED-lampje blijft branden. De lader houdt de accu volledig opgeladen.

### Belangrijke opmerkingen over opladen (lader misschien niet meegeleverd)

- ◆ De langste levensduur en de beste prestaties kunnen worden behaald als de accu wordt opgeladen wanneer de luchttemperatuur is tussen 18° en 24 °C. LAAD de accu NIET op bij een luchttemperatuur lager dan +4,5 °C of hoger dan +40,5 °C. Dit is belangrijk en zal ernstige beschadiging van de accu voorkomen.
- ◆ De lader en de accu's zullen tijdens het laden misschien bij aanraking warm aanvoelen. Dit is normaal en wijst niet op een probleem. Plaats de accu en de lader na gebruik niet in een warme omgeving, zoals een metalen schuur of een niet-geïsoleerde aanhangwagen, laat ze op een koele plaats afkoelen.
- ◆ Als de accu niet goed wordt opgeladen:
  - ◆ Controleer de spanning op het stopcontact door een lamp of een ander apparaat aan te sluiten.
  - ◆ Controleer of er op het stopcontact misschien verlichting is aangesloten en het stopcontact stroomloos wordt wanneer u de verlichting uitschakelt.
  - ◆ Breng de lader en de accu naar een plaats waar de lucht/omgevingstemperatuur ongeveer 18°- 24 °C is.
  - ◆ Breng, als de problemen met het opladen aanhouden, het gereedschap, de accu en de lader naar het servicecentrum bij u in de buurt.

- ◆ De accu moet worden opgeladen wanneer de accu niet voldoende vermogen levert voor werkzaamheden die eerder zonder veel moeite werden uitgevoerd. WERK NIET LANGER MET HET GEREEDSCHAP in deze toestand. Volg de procedure voor het laden. U kunt ook een gedeeltelijk lege accu opladen, wanneer u dat maar wilt, zonder dat dat negatieve gevolgen heeft voor de accu.
- ◆ Bepaalde materialen die geleidend zijn, zoals, maar niet uitsluitend, staalwol, aluminiumfolie of een opeenhoping van metaalachtige deeltjes, kunnen beter bij de holtes van de lader worden weggehouden. Trek altijd de stekker uit het stopcontact wanneer er geen accu in de uitsparing van de lader zit. Trek de stekker van de lader uit het stopcontact voordat u de lader gaat reinigen.
- ◆ Laat de lader niet bevriezen en dompel de lader niet onder in water of andere vloeistoffen.

**Waarschuwing!** Laat geen vloeistof in de lader dringen. Probeer nooit om welke reden dan ook de accu te openen. Als de kunststof behuizing van de accu breekt of scheurt, breng de accu dan naar een servicecentrum waar deze kan worden gerecycled.

### Slechte accu (accu misschien niet meegeleverd)

Ziet u het lampje in dit patroon van een slechte accu knipperen, ga dan niet door met het opladen van de accu. Breng de accu terug naar het servicecentrum of naar een inzamelpunt waar de accu kan worden gerecycled.

### Vertraging Hete/Koude accu (Hot/Cold Pack Delay) (lader misschien niet meegeleverd)

Wanneer de lader detecteert dat een accu te heet of te koud is, start de lader automatisch een Hot/Cold Pack Delay, en wordt het laden uitgesteld tot de accu de juiste temperatuur heeft bereikt. De lader schakelt dan automatisch over op de accu-laadstand. Deze functie waarborgt een maximale levensduur van de accu. Een koude accu zal minder snel opladen dan een warme accu. De accu zal minder snel opladen gedurende de gehele laadcyclus en zal niet op maximale snelheid opladen, ook niet als de accu warmer wordt.

### De accu in het gereedschap plaatsen en eruit nemen (accu misschien niet meegeleverd)

**Waarschuwing!** Vóór het uitvoeren van de volgende werkzaamheden moet het gereedschap zijn uitgeschakeld, de stekker uit het stopcontact zijn getrokken, en het zaagblad tot stilstand zijn gekomen.

#### Accu plaatsen (afb. A)

- ◆ Plaats de accu in het gereedschap zoals afbeelding A laat zien. Controleer dat de accu goed op zijn plaats zit en volledig is vergrendeld.

- ◆ Controleer dat de accu geheel op z'n plaats zit en goed is vergrendeld.

#### De accu uitnemen (afb. B)

- ◆ Druk op de accuvrijgaveknop zoals wordt getoond in Afbeelding B en trek de accu uit het gereedschap.

#### Grote panelen ondersteunen/werkstuk vastzetten (afb. C)

- ◆ Ondersteun grote panelen zodat het risico van vastlopen of terugslaan van het zaagblad tot een minimum wordt beperkt. Grote panelen zakken vaak door onder hun eigen gewicht, zoals afbeelding C laat zien.
- ◆ Er moet aan beide zijden ondersteuning onder het paneel worden geplaatst, dicht bij de zaagsnede en dicht bij de rand van het paneel, afbeelding C.
- ◆ Houd nooit het stuk dat u wilt zagen in uw handen of op uw been, afbeelding C.
- ◆ Zet het werkstuk vast op een stabiele ondergrond, zoals afbeelding E laat zien. Het is belangrijk dat het werkstuk goed wordt ondersteund zodat blootstelling van het lichaam, vastlopen van het zaagblad of het verlies van controle tot een minimum worden beperkt.

#### Afstelling zaagdiepte - (fig. F - G)

- ◆ De zaagdiepte moet worden ingesteld naar de dikte van het werkstuk.
- ◆ Draai de diepteafstellingsknop (6) los en ontgrendel de zool (5), zoals afbeelding F laat zien.
- ◆ Verplaats de zool van de zaag naar de gewenste positie. De bijbehorende zaagdiepte kan op de schaalverdeling (12) worden afgelezen.
- ◆ Stel de diepteafstelling van de zaag zo in dat één tand (10) van het zaagblad onder het werkstuk (16) uitsteekt, zoals afbeelding G laat zien.
- ◆ Vergrendel de zool door de knop vast te zetten.

#### Afstelling afschuinhoek - (afb. K)

U kunt de afschuinhoek van het gereedschap instellen van 0° tot 50°

- ◆ Ontgrendel de zool (5) van de zaag door de stelknop voor de afschuinhoek (14) los te draaien.
- ◆ Verplaats de zool (5) van de zaag naar de gewenste positie. De bijbehorende afschuinhoek kan worden afgelezen van de schaalverdeling (9).
- ◆ Draai de diepteafstellingsknop (15) vast en vergrendel de zool van de zaag op zijn plaats.
- ◆ Controleer de nauwkeurigheid van de instelling door de schuine hoek van een zaagsnede te beoordelen op een stukje afvalmateriaal.

## Afstelling van de zool voor zaagsneden van 90°

De zool (5) is in de fabriek zo afgesteld dat het strafblad haaks op de zool staat bij een instelling van een afschuinhoek van 0°.

ALS DE ZOOL OPNIEUW MOET WORDEN UITGELIJD:

- ◆ Stel de zaag af op een hoek van 0°.
- ◆ Trek de beschermkap (11) van het zaagblad terug.
- ◆ Draai de afstelknop van de schuine hoek (15) los. Plaats een rechte haak tegen het zaagblad (10) en de zool (5) en stel de 90°-instelling af.
- ◆ Draai de borgmoer (16) los en verplaats de stelschroef (19) (inzet afbeelding H) zo dat de zool stopt bij de juiste hoek. Zet de borgmoer weer vast tegen de zool terwijl u de stelschroef op z'n plaats houdt.
- ◆ Controleer de nauwkeurigheid van de instelling door de rechtheid van een zaagsnede te beoordelen op een stukje afvalmateriaal.

## Het zaagblad bevestigen en verwijderen (afb. I - J)

- ◆ Trek de onderste beschermkap terug en monteer het zaagblad (10) en klem de ring (20) vast, zoals afbeelding I laat zien.
- ◆ Druk de asvergrendeling (16) in terwijl u de zaagbladbout (21) draait met de zaagbladsleutel (13), tot de zaagbladvergrendeling ingrijpt en het zaagblad niet meer draait.

**Opmerking:** Bout heeft linkse schroefdraad. U draait deze naar rechts los. U draait deze naar links vast.

**Opmerking:** Laat de asvergrendeling nooit ingrijpen terwijl de zaag draait of in een poging het gereedschap te stoppen. Schakel het gereedschap nooit in terwijl de asvergrendeling is ingeschakeld.

Dit zal leiden tot ernstige beschadiging van uw zaag.

## Onderste zaagbladbeschermkap

**Waarschuwing!** Gevaar voor ernstige verwonding. De onderste zaagbladbeschermkap is een veiligheidsvoorziening die het risico van ernstig persoonlijk letsel beperkt. Gebruik de zaag nooit als de onderste beschermkap ontbreekt, beschadigd is, verkeerd gemonteerd is of niet goed werkt. U kunt er niet op vertrouwen dat de onderste zaagbladbeschermkap u onder alle omstandigheden beschermt.

Uw veiligheid is afhankelijk van het opvolgen van de volgende waarschuwingen en aanwijzingen voor een veilig gebruik en ook van een goede werking van de zaag. Controleer vóór ieder gebruik dat de onderste beschermkap goed sluit, zoals wordt uiteengezet in Aanvullende Veiligheidsregels voor Cirkelzagen. Als de onderste zaagbladbeschermkap ontbreekt of niet goed werkt, laat de zaag dan nazien voordat u het gereedschap weer gebruikt.

De veiligheid en betrouwbaarheid van het product kunnen alleen worden gewaarborgd als reparatie, onderhoud en afregeling worden uitgevoerd door een geautoriseerd servicecentrum of een andere

gekwalificeerde service-organisatie, waarbij altijd identieke vervangende onderdelen moeten worden gebruikt.

**Waarschuwing!** Beperk het risico van oogletsel zoveel mogelijk, gebruik altijd oogbescherming. Voorwerpen in het werkstuk, die er niet in horen, zoals draad of spijkers, kunnen tot gevolg hebben dat de punt scheurt of breekt. Werk alleen met de zaag wanneer een goede zaagbladbeschermkap is geplaatst. Monteer vóór gebruik het zaagblad stevig en let op de juiste draairichting, gebruik altijd een schoon, scherp zaagblad.

**Waarschuwing!** Beperk het risico van letsel, het is belangrijk dat u het werkstuk goed ondersteunt en de zaag stevig vasthoudt zodat u niet de controle over het gereedschap kunt verliezen, want dat kan persoonlijk letsel tot gevolg hebben. Afbeelding E toont hoe u uw handen moet neerzetten.

## Gebruik van de machine

**Waarschuwing!** Beperk het gevaar van ernstig persoonlijk letsel, lees, begrijp en volg de veiligheidsaanwijzingen en de instructies voordat u het gereedschap in gebruik neemt.

## Zaagbladselectie

Uw cirkelzaag is ontworpen voor gebruik met zaagbladen met een diameter van 140 x 2 mm en een boring van 12,7 mm. Zaagbladen moeten geschikt zijn voor werking bij 7.000 tpm (of meer). GEBRUIK GEEN schuurschijven.

## Gewone zaagsneden

**Waarschuwing!** Beperk het risico van letsel, neem de accu uit en volg alle instructies voor montage, afstelling en installatie. Controleer dat de onderste beschermkap goed werkt. Selecteer het juiste zaagblad voor het materiaal dat u wilt zagen.

- ◆ Meet en markeer het werk dat u wilt zagen.
- ◆ Ondersteun het werk goed en zet het goed vast (Zie Veiligheidsregels en Instructies).
- ◆ Gebruik een geschikte en vereiste veiligheidsuitrusting (Zie Veiligheidsregels).
- ◆ Kies een veilige werkplek en onderhoud deze (Zie Veiligheidsregels).
- ◆ Plaats de accu en controleer dat u met de schakelaar het gereedschap in en uit kunt schakelen.

## Schakelaar

De zaag is voorzien van een schakelaar met een functie voor vergrendeling in de uit-stand zo dat wordt voorkomen dat het gereedschap per ongeluk wordt ingeschakeld.

- ◆ Wanneer u het gereedschap wilt gebruiken, druk dan de knop (2) voor vergrendeling in de uit-stand in vanaf één van beide zijden van de zaag en houd de knop ingedrukt terwijl u de aan/uit-schakelaar (3) indrukt.
- ◆ Laat, wanneer u de aan/uit-schakelaar hebt ingedrukt en het gereedschap loopt, de knop voorvergrendeling in de uit-stand los.
- ◆ Het gereedschap blijft draaien zolang de aan/uit-schakelaar wordt ingedrukt.
- ◆ U schakelt het gereedschap door de Aan/Uit-schakelaar los te laten.

**Opmerking:** Dit gereedschap heeft geen voorziening voor vergrendeling in de stand ON en het mag nooit op welke manier dan ook op ON worden vergrendeld.

### Automatische elektrische rem

Uw zaag is voorzien van een elektrische zaagbladrem die het zaagblad binnen 1 - 2 seconden stopt, nadat de aan/uit-schakelaar is losgelaten. Deze rem werkt automatisch en hoeft niet te worden afgesteld.

### Zagen

**Waarschuwing!** Beperk het risico van ernstig persoonlijk letsel, houd ALTIJD het gereedschap met beide handen vast.

- ◆ Laat het blad een paar seconden vrij draaien voordat u begint met zagen.
- ◆ Oefen slechts lichte druk op het gereedschap uit terwijl de zaagsnede uitvoert.
- ◆ Druk de zool tijdens het zagen altijd tegen het werkstuk.

### Tips voor optimaal gebruik

- ◆ Aangezien splintervorming bij de zaagrand aan de bovenzijde van het werkstuk onvermijdelijk is, kunt u het beste zagen aan de kant waar splintervorming acceptabel is.
- ◆ Klem, wanneer u de splintervorming zo veel mogelijk wilt beperken, bijvoorbeeld bij het zagen van laminaat, een stuk multiplex boven op het werkstuk.

### Insteekzagen (afb. K)

**Waarschuwing!** Zet de zaagbladbeschermkap nooit vast in een opgehaalde stand. Verplaats de zaag nooit naar achteren bij het insteekzagen. Hierdoor kan de zaag zich omhoog werken uit het werkoppervlak en dat kan leiden tot letsel. Een insteekzaagsnede is een zaagsnede die wordt gemaakt waarbij de rand van het materiaal niet de onderste beschermkap opendruwt, maar de onderste rand van het draaiende zaagblad zaagt in het midden van het materiaal.

- ◆ Stel de zool (5) van de zaag zo af dat het zaagblad op de gewenste diepte zaagt.
- ◆ Kantel de zaag naar voren en laat de voorzijde van de zool op het te zagen materiaal rusten.
- ◆ Trek de onderste beschermkap met de hendel omhoog.

Laat de achterzijde van de zool zakken tot de tanden van het zaagblad bijna de zaaglijn raken.

- ◆ Laat de zaagbladbeschermkap los (door het contact met het werk kan de kap vrij opengaan wanneer u de zaagsnede begint).
- ◆ Neem uw hand van de hendel van de beschermkap en pak de secundaire handgreep (7) stevig vast, zoals in afbeelding N wordt getoond. Plaats uw lichaam en arm zo dat u weerstand kunt bieden aan terugslag als die zich voordoet.
- ◆ Controleer dat het zaagblad niet contact maakt met het zaagoppervlak voordat u met zagen begint.
- ◆ Start de motor, laat de zaag volledig op snelheid komen, laat de zaag geleidelijk zakken tot de zool vlak op het te zagen materiaal rust. Breng de zaag naar voren langs de zaaglijn tot de zaagsnede is voltooid, zoals wordt getoond in afbeelding K.
- ◆ Laat de aan/uit-schakelaar los, laat het zaagblad geheel tot stilstand komen en trek vervolgens pas het zaagblad uit het materiaal.
- ◆ Ga aan het begin van iedere nieuwe zaagsnede steeds weer te werk zoals hierboven wordt beschreven.

### Problemen oplossen

Probleem	Mogelijke oorzaak	Mogelijke oplossing
Gereedschap start niet.	De accu is niet goed geplaatst.	Controleer de manier waarop de accu is geïnstalleerd.
	De accu is niet opgeladen.	Controleer de laadvereisten voor de accu.
De motor stopt tijdens het maaien.	De accu is niet in de oplader geplaatst.	Plaats de accu in de lader tot het LED-indicatielampje verschijnt.
	De stekker van de lader zit niet in het stopcontact.	Sluit de lader aan op een stopcontact. Raadpleeg "Belangrijke opmerkingen over lader" voor meer informatie.
	De omgevingstemperatuur is te hoog of te laag.	Verplaats de lader en de accu naar een locatie waar de luchttemperatuur hoger is dan 4,5 °C en lager is dan +40,5 °C.
Gereedschap werkt plotseling niet meer.	Accu heeft de uiterste thermische limiet bereikt.	Laat de accu afkoelen.
	Accu is leeg. (De accu is zo ontworpen dat hij zichzelf plotseling uitschakelt wanneer hij bijna leeg is. Dit verlengt de levensduur van de accu.)	Plaats de accu op de lader en laad de accu op.

### Accessoires

De prestaties van het gereedschap zijn afhankelijk van de gebruikte accessoires. Accessoires van BLACK+DECKER zijn ontworpen om aan hoge kwaliteitsnormen te voldoen en de prestaties van uw gereedschap te verhogen. Door deze accessoires te gebruiken kunt u uw gereedschap nog beter laten presteren.

## Onderhoud

Uw gereedschap is ontworpen om gedurende een lange periode te functioneren met een minimum aan onderhoud. Het continu naar tevredenheid functioneren hangt af van de juiste zorg voor het gereedschap en regelmatig schoonmaken.

**Waarschuwing!** Schakel de machine uit en haal de stekker uit het stopcontact voordat er onderhoud wordt uitgevoerd.

- ◆ Reinig regelmatig de ventilatieopeningen van het gereedschap met een zachte borstel of droge doek.
- ◆ Reinig de behuizing van de motor regelmatig met een vochtige doek. Gebruik niet een schurend schoonmaakmiddel of een schoonmaakmiddel op basis van een oplosmiddel.

## Het milieu beschermen



Gescheiden afvalinzameling. Producten en accu's die zijn voorzien van dit symbool mogen niet bij het normale huishoudafval worden weggegooid

Producten en accu's bevatten materialen die kunnen worden teruggewonnen of gerecycled en dat doet de vraag naar grondstoffen afnemen.

Recycle elektrische producten en accu's volgens de ter plaatse geldende bepalingen. Nadere informatie is beschikbaar op [www.2helpU.com](http://www.2helpU.com)

## Technische gegevens

BDCCS18 H1		
Ingangsspanning	$V_{ac}$	18
Snelheid onbelast	$min^{-1}$	3700 tpm
Max. zaagdiepte	mm	43
Max. zaagdiepte bij een 45° verstekhoek	mm	35
Zaagbladdiameter	mm	140
Zaagbladboring	mm	12,7
Tipbreedte zaagblad	mm	2,0
Gewicht	kg	2,08

Lader		905902**/ N4940**	905998**/ 906349**
Ingangsspanning	$V_{AC}$	100-240	220-240
Uitgangsspanning	$V_{DC}$	8-20	8-20
Stroom	mA	400	1000
Opladtid bij benadering	Uur	3-11	1.5-5

Accu (waar geleverd)		BL2018*	BL1518*	BL4018
Voltage	$V_{DC}$	18	18	18
Capacity	Ah	2.0	1.5	4.0
Type		Li-Ion	Li-Ion	Li-Ion

$L_{pa}$ (geluidsdruk) 76,0 dB(A), onzekerheid (K) 3 dB(A)
$L_{wa}$ (geluidsvermogen) 87,0 dB(A), onzekerheid (K) 3 dB(A)
Totale trillingswaarden (som triaxvector) volgens EN 62841:
In hout zagen ( $a_{h,w}$ ) 1,5 $m/s^2$ , onzekerheid (K) 1,5 $m/s^2$

## EG conformiteitsverklaring

RICHTLIJN VOOR MACHINES



### Cirkelzaag BDCCS18

Black & Decker verklaart dat de producten die worden beschreven onder 'Technische gegevens', voldoen aan: EN62841-1:2015, EN62841-2-5:2014.

Deze producten voldoen tevens aan richtlijn 2006/42/EC, 2014/30/EU en 2011/65/EU. Neem voor meer informatie contact op met Black & Decker op het volgende adres of raadpleeg de achterzijde van de handleiding.

Ondergetekende is verantwoordelijk voor de samenstelling van het technische bestand en legt deze verklaring af namens Black & Decker.

A. P. Smith

Technical Director

Black & Decker Europe, 270 Bath Road, Slough,

Berkshire, SL1 4DX

Verenigd Koninkrijk

30-4-2019

## Garantie

Black & Decker heeft vertrouwen in zijn producten en biedt consumenten een garantie van 24 maanden vanaf de datum van aankoop. Deze garantie vormt een aanvulling op uw wettelijke rechten en beperken deze niet. De garantie is geldig op het grondgebied van de Lidstaten van de Europese Unie en de Europese Vrijhandelszone.

Voor een garantie-aanspraak moet uw aanspraak in overeenstemming zijn met de Voorwaarden en Condities van Black & Decker en moet u een bewijs van aankoop overleggen aan de verkoper of aan een geautoriseerde reparatiemonteur. Voorwaarden en condities van de 2-jarige garantie van Black&Decker en het adres van de vestiging van het geautoriseerde reparatiecentrum bij u in de buurt, kunt u vinden op internet op [www.2helpU.com](http://www.2helpU.com), of door contact op te nemen met het Black & Decker-kantoor ter plaatse, op het adres dat in deze handleiding wordt vermeld.

Bezoek onze website [www.blackanddecker.nl](http://www.blackanddecker.nl), waar u uw nieuwe Black & Decker-product kunt registreren en informatie kunt verkrijgen over nieuwe producten en speciale aanbiedingen.



## Uso previsto

La sierra circular BDCCS18 de BLACK+DECKER ha sido diseñada para serrar madera y productos de madera. Esta herramienta ha sido concebida únicamente para uso doméstico.

## Instrucciones de seguridad

### Advertencias de seguridad generales para herramientas eléctricas



**¡Advertencia! Lea todas las advertencias de seguridad y todas las instrucciones, ilustraciones y especificaciones suministradas con esta herramienta eléctrica.**

En caso de no atenerse a las siguientes advertencias e instrucciones de seguridad, podría producirse una descarga eléctrica, incendio o lesión grave.

**Guarde todas las advertencias e instrucciones para futuras consultas.** El término "herramienta eléctrica" empleado en las advertencias a continuación hace referencia a la herramienta eléctrica con alimentación de red (con cable) o alimentada por batería (sin cable).

#### 1. Seguridad del área de trabajo

- a. **Mantenga limpia y bien iluminada el área de trabajo.** Las áreas en desorden u oscuras pueden provocar accidentes.
- b. **No utilice herramientas eléctricas en entornos con peligro de explosión, como aquellos en los que haya líquidos, gases o polvos inflamables.** Las herramientas eléctricas originan chispas que pueden inflamar el polvo o los gases.
- c. **Mantenga alejados a los niños y otras personas del área de trabajo al emplear la herramienta eléctrica.** Las distracciones pueden hacer que pierda el control de la herramienta.

#### 2. Seguridad eléctrica

- a. **El enchufe de la herramienta eléctrica debe corresponder a la toma de corriente. No modifique nunca el enchufe de ninguna forma. No utilice ningún enchufe adaptador con las herramientas eléctricas conectadas a tierra.** Los enchufes no modificados y las tomas de corriente compatibles reducen el riesgo de descarga eléctrica.
- b. **Evite que su cuerpo toque partes conectadas o puestas a tierra tales como tuberías, radiadores, cocinas y refrigeradores.** Existe un mayor riesgo de descarga eléctrica si su propio cuerpo está conectado a tierra.

- c. **No exponga las herramientas eléctricas a la lluvia y a la humedad.** La entrada de agua en una herramienta eléctrica aumenta el riesgo de descarga eléctrica.
- d. **Cuide el cable de alimentación. No use nunca el cable para transportar, tirar de la herramienta eléctrica o desenchufarla. Mantenga el cable alejado del calor, aceite, bordes afilados y piezas en movimiento.** Los cables dañados o enredados aumentan el riesgo de descarga eléctrica.
- e. **Al trabajar con la herramienta eléctrica en la intemperie utilice solamente cables de prolongación homologados para su uso en exteriores.** La utilización de un cable adecuado para el uso en exteriores reduce el riesgo de descarga eléctrica.
- f. **Si la utilización de una herramienta eléctrica en un lugar húmedo es inevitable, utilice una fuente protegida con un dispositivo diferencial residual (DDR).** El uso de un dispositivo diferencial residual reduce el riesgo de descarga eléctrica.

#### 3. Seguridad personal

- a. **Esté atento a lo que hace y emplee la herramienta eléctrica con prudencia. No maneje una herramienta eléctrica cuando esté cansado o bajo los efectos de drogas, medicamentos o alcohol.** Un momento de falta de atención cuando se manejan las herramientas eléctricas puede ocasionar lesiones personales graves.
- b. **Utilice un equipo de protección personal. Utilice siempre protección ocular.** El uso del equipo protector como mascarillas antipolvo, calzado antideslizante, casco o protección auditiva para condiciones apropiadas reducirá las lesiones personales.
- c. **Impida que la herramienta se ponga en marcha accidentalmente. Asegúrese de que el interruptor se encuentre en la posición de apagado antes de conectar la herramienta a la fuente de alimentación o a la batería, o de coger o transportar la herramienta.** Transportar herramientas eléctricas con el dedo puesto en el interruptor o herramientas eléctricas activadoras que tengan el interruptor encendido puede provocar accidentes.
- d. **Retire las herramientas de ajuste o llaves fijas antes de encender la herramienta eléctrica.** Dejar una llave inglesa u otra llave puesta en una pieza en movimiento de la herramienta eléctrica puede ocasionar lesiones personales.
- e. **Sea precavido. Mantenga un equilibrio adecuado y la estabilidad constantemente.** Esto permite un mejor control de la herramienta eléctrica en situaciones inesperadas.
- f. **Lleve puesta una vestimenta de trabajo adecuada. No se ponga ropa suelta o joyas.**

**Mantenga el cabello, la ropa y los guantes alejados de las piezas en movimiento.** La ropa suelta, las joyas y el pelo largo pueden quedar atrapados en las piezas en movimiento.

- g. **Siempre que sea posible utilizar unos equipos de aspiración o captación de polvo, asegúrese de que estén montados y de se utilicen correctamente.** El uso de equipo de recogida de polvo puede reducir los riesgos relacionados con el polvo.
  - h. **Evite que la familiaridad adquirida con el uso frecuente de las herramientas le haga confiarse demasiado e ignorar las normas de seguridad de las herramientas. Un descuido puede causar lesiones graves en una fracción de segundo.**
4. **Uso y cuidado de herramientas eléctricas**
    - a. **No sobrecargue la herramienta eléctrica. Use la herramienta eléctrica correcta para su trabajo.** La herramienta eléctrica correcta funcionará mejor y con mayor seguridad si se utiliza de acuerdo con sus características técnicas.
    - b. **No utilice la herramienta eléctrica si no se puede encender y apagar con el interruptor.** Toda herramienta eléctrica que no pueda controlarse con el interruptor es peligrosa y debe ser reparada.
    - c. **Desconecte el enchufe de la herramienta eléctrica de la fuente de alimentación y/o la batería antes de realizar cualquier ajuste, cambiar accesorios o guardar la herramienta.** Dichas medidas de seguridad preventivas reducen el riesgo de poner en marcha accidentalmente la herramienta eléctrica.
    - d. **Guarde las herramientas eléctricas fuera del alcance de los niños y no permita que las utilicen las personas no familiarizadas con su uso o con estas instrucciones.** Las herramientas eléctricas son peligrosas en manos de personas no capacitadas.
    - e. **Realice el mantenimiento de sus herramientas eléctricas y accesorios. Compruebe que las piezas móviles no estén desalineadas ni atascadas, que no haya piezas rotas y cualquier otra condición que pudiera afectar al funcionamiento de la herramienta eléctrica. Si la herramienta eléctrica está dañada, llévela para que sea reparada antes de utilizarla.** Se ocasionan muchos accidentes por el mal mantenimiento de las herramientas eléctricas.
    - f. **Mantenga las herramientas de corte limpias y afiladas.** Hay menos probabilidad de que las herramientas de cortar con bordes afilados se bloqueen, y son más fáciles de controlar.
    - g. **Utilice la herramienta eléctrica, los accesorios, los útiles de la herramienta, etc. de acuerdo con estas instrucciones, y tenga en cuenta las condiciones de trabajo y la tarea que va a realizar.**

El uso de la herramienta eléctrica para operaciones que no sean las previstas puede ocasionar una situación peligrosa.

- h. **Mantenga las empuñaduras y las superficies de agarre secas, limpias y libres de aceite y grasa. Las empuñaduras resbaladizas y las superficies engrasadas impiden aferrar y controlar la herramienta en situaciones imprevistas.**
5. **Uso y cuidado de la herramienta de baterías**
    - a. **Recárguela sólo con el cargador especificado por el fabricante.** Un cargador adecuado para un tipo de batería puede provocar riesgos de incendios al ser utilizado con otra batería.
    - b. **Utilice las herramientas eléctricas solamente con las baterías recomendadas.** El uso de otras baterías puede suponer un riesgo de incendio y lesiones.
    - c. **Cuando no utilice la batería, manténgala alejada de objetos de metal como clips para papel, monedas, llaves, clavos, tornillos y otros pequeños objetos metálicos que pueden realizar una conexión de un terminal a otro.** Si se produce un cortocircuito entre los terminales de la batería, pueden ocasionarse incendios o quemaduras.
    - d. **En caso de uso indebido, puede salir líquido de la batería, evite el contacto. Si se produce un contacto accidental, lave con agua. Si el líquido se pone en contacto con los ojos, acuda además a un médico.** El líquido expulsado de la batería podrá provocar irritaciones o quemaduras.
    - e. **No use la batería ni la herramienta si están dañadas o han sido modificadas.** Las baterías dañadas o modificadas pueden tener reacciones imprevistas y causar incendios, explosión o riesgo de lesiones.
    - f. **No exponga la batería o la herramienta al fuego o a temperaturas excesivas.** La exposición al fuego o a una temperatura superior a 265 °F puede causar una explosión.
    - g. **Siga las instrucciones de carga y no cargue la batería o la herramienta fuera del rango de temperatura especificada en las instrucciones.** La carga incorrecta o fuera del rango de temperatura especificado puede dañar la batería y aumentar el riesgo de incendio.
  6. **Reparaciones**
    - a. **Esta herramienta eléctrica puede ser reparada solo por personal técnico autorizado que emplee exclusivamente piezas de repuesto originales.** Así se asegurará que se mantenga la seguridad de la herramienta eléctrica.
    - b. **Nunca repare la batería si está dañada.** La reparación de la batería puede ser efectuada únicamente por el fabricante o los proveedores de servicio autorizados.

## Advertencias de seguridad adicionales para herramientas eléctricas



**Advertencia.** Advertencias de seguridad adicionales para todas las sierras

### Procedimientos de corte



**Mantenga las manos alejadas de la zona de corte y de la hoja. Mantenga la segunda mano sobre la empuñadura auxiliar o la carcasa del motor.** Si mantiene las dos manos sobre la sierra, evitará cortarse con la hoja.

- ◆ **No toque por debajo de la pieza de trabajo.** El protector no podrá protegerlo del disco por debajo de la pieza de trabajo.
- ◆ **Ajuste la profundidad de corte al espesor de la pieza de trabajo.** Deberá verse menos de un diente completo del disco por debajo de la pieza de trabajo.
- ◆ **Nunca sostenga la pieza que está cortando en sus manos ni sobre una pierna. Asegure la pieza de trabajo en una plataforma estable.** Es importante apoyar el trabajo adecuadamente para reducir al mínimo la exposición corporal, el cimbreo de la hoja o la pérdida de control.
- ◆ **Sujete la herramienta eléctrica únicamente por la superficie protegida cuando realice una operación en la que la herramienta de corte pueda entrar en contacto con cableado oculto o con su propio cable.** El contacto con un cable conectado también electrificará las partes metálicas de la herramienta eléctrica y podría provocar una descarga eléctrica al usuario.
- ◆ **Cuando corte en dirección a la veta, utilice siempre una guía de corte.** De esta manera, mejorará la precisión del corte y reducirá la posibilidad de que el disco se bloquee.
- ◆ **Utilice siempre hojas con la forma (diamante frente a redonda) y el tamaño de agujeros del eje correctos.** Las hojas que no coincidan con los elementos de montaje de la sierra funcionarán de forma excéntrica, lo que causará una pérdida de control.
- ◆ **No utilice nunca arandelas o pernos de hoja dañados o incorrectos.** El perno y las arandelas de la hoja se han diseñado específicamente para que esta hoja de forma tenga un funcionamiento seguro y un rendimiento óptimo.

### Instrucciones de seguridad adicionales para todas las sierras

#### Causas del retroceso y advertencias relacionadas

- ◆ Cuando la hoja está apretada o ceñida estrechamente por la entalladura al cerrarse, se atasca y la reacción del motor empuja la unidad rápidamente hacia atrás en dirección al operario.
  - ◆ Si la hoja se retuerce o se desalinea durante el corte, los dientes del borde posterior de la hoja pueden clavarse en la zona superior de la madera, lo que hará que la hoja remonte la entalladura y salte hacia atrás en dirección al usuario.
- El retroceso se produce por el funcionamiento erróneo y/o procedimientos o condiciones de funcionamiento incorrectos de la sierra y puede evitarse tomando las medidas adecuadas que se indican abajo.
- ◆ **Mantenga asida firmemente la sierra con ambas manos y ponga los brazos de tal manera que puedan resistir la fuerza de un retroceso. Coloque el cuerpo a ambos lados de la hoja, pero nunca en línea con ella.** La inversión de giro puede provocar que la sierra salte hacia atrás. No obstante, el usuario puede controlar las fuerzas de inversión de giro si toma las precauciones adecuadas.
  - ◆ **Cuando el disco se bloquee o cuando, por algún motivo, interrumpa un corte, suelte el gatillo y no mueva la sierra del material que está cortando hasta que el disco se haya detenido por completo. Nunca intente quitar la sierra del trabajo o tirar de ella hacia atrás mientras esté en movimiento, ya que de lo contrario podría producirse una inversión de giro.** Investigue y tome medidas correctivas para eliminar la causa del trabado de la hoja.
  - ◆ **Cuando vuelva a poner en marcha la sierra sobre la pieza de trabajo, centre la sierra en la entalladura y compruebe que los dientes no estén enganchados con el material.** Si la hoja de la sierra está bloqueada, puede que se levante o retroceda al volver a arrancar la sierra.
  - ◆ **Sujete los paneles grandes para reducir al mínimo el riesgo de que el disco se comprima e invierta el giro.** Los paneles grandes tienen tendencia a combarse por su propio peso. Es necesario colocar apoyos debajo del panel a ambos lados, cerca de la línea del corte y cerca del borde del panel.
  - ◆ **No utilice discos desafilados ni dañados.** Las hojas sin afilar o que están mal colocadas abren una muesca estrecha que produce una fricción excesiva, el bloqueo de la hoja y el retroceso de esta.
  - ◆ **Las palancas de bloqueo del ajuste de bisel y de profundidad de la hoja deben estar bien apretadas y seguras antes de realizar el corte.** Si el ajuste del disco varía durante el proceso de corte, puede producirse un bloqueo y un retroceso.
  - ◆ **Adopte medidas de precaución extraordinarias cuando sierre en muros u otras zonas ciegas.**

La hoja que sobresale puede cortar objetos que pueden provocar una inversión de giro.

### Función del protector inferior

- ◆ Compruebe que el protector inferior de la hoja se cierre bien antes de cada uso. No opere la sierra si el protector inferior no se mueve libremente y se cierra instantáneamente. No fije ni agarre nunca el protector inferior en la posición abierta. Si la sierra cae accidentalmente, el protector inferior se puede doblar. Eleve el protector inferior con la empuñadura de retroceso y compruebe que se mueva libremente y no toque la hoja ni ninguna otra pieza en todos los ángulos y profundidades de corte.
- ◆ Compruebe el funcionamiento del muelle del protector inferior. Si el protector y el muelle no funcionan correctamente, deben repararse antes de utilizar la herramienta. El protector inferior puede funcionar con lentitud debido a piezas dañadas, depósitos pegajosos o acumulación de suciedad.
- ◆ El protector inferior solo debe retraerse manualmente en casos especiales como los “cortes directos” o los “cortes compuestos”. Suba el protector inferior con la empuñadura de retroceso en cuanto la hoja se introduzca en el material, y el protector inferior debería liberarse. Para las demás operaciones de la sierra, el protector inferior deberá funcionar automáticamente.
- ◆ Compruebe siempre que el protector inferior cubra la hoja antes de colocar la sierra sobre un banco o en el suelo. Una hoja deslizante y sin protección puede hacer que la sierra retroceda y corte todo lo que encuentre en su camino. Tenga en cuenta el tiempo que la hoja tarda en detenerse después de desactivar el interruptor.

### Seguridad de otras personas

Nunca permita que los niños ni las personas con capacidades físicas, sensoriales o mentales disminuidas; que carezcan de experiencia y conocimientos, o que no estén familiarizadas con estas instrucciones utilicen la máquina, las normativas locales pueden restringir la edad del usuario.

### Riesgos residuales

El uso de esta herramienta puede producir riesgos residuales adicionales no incluidos en las advertencias de seguridad adjuntas. Estos riesgos se pueden generar por un uso incorrecto, demasiado prolongado, etc.

El cumplimiento de las normas de seguridad correspondientes y el uso de dispositivos de seguridad no evitan ciertos riesgos residuales. Dichos riesgos incluyen:

- ◆ Lesiones producidas por el contacto con piezas móviles o giratorias.
- ◆ Lesiones producidas al cambiar cualquier pieza, hoja o accesorio.

- ◆ Lesiones producidas al usar una herramienta por un tiempo demasiado prolongado. Si utiliza una herramienta durante periodos de tiempo demasiado prolongados, asegúrese de realizar pausas con frecuencia.
- ◆ Deterioro auditivo.
- ◆ Riesgos para la salud producidos al respirar el polvo que se genera al usar la herramienta (por ejemplo: en los trabajos con madera, especialmente de roble, haya y tableros de densidad mediana).

### Vibración

Los valores de emisión de vibraciones declarados en el apartado de características técnicas y en la declaración de conformidad se han calculado según un método de prueba estándar proporcionado por la norma EN62841 y pueden utilizarse para comparar una herramienta con otra. El valor de emisión de vibraciones especificado también puede utilizarse en una evaluación preliminar de la exposición.

**Advertencia.** El valor de emisión de vibraciones durante el funcionamiento real de la herramienta eléctrica puede diferir del valor declarado en función de cómo se utilice dicha herramienta. El nivel de las vibraciones puede aumentar por encima del nivel declarado.

Al evaluar la exposición a las vibraciones con el fin de determinar las medidas de seguridad que exige la directiva 2002/44/CE para proteger a las personas que utilizan periódicamente herramientas eléctricas en el entorno laboral, deberá tenerse en cuenta una estimación de la exposición a las vibraciones, las condiciones de uso reales y el modo de empleo de la herramienta, así como los pasos del ciclo operativo como, por ejemplo, el número de veces que la herramienta se apaga, el tiempo que está parada y el tiempo de activación.

### Etiquetas en la herramienta

Junto con el código de la fecha, en la herramienta aparecen los siguientes pictogramas:



**Advertencia.** Para reducir el riesgo de lesiones, el usuario debe leer el manual de instrucciones.

### Instrucciones de seguridad adicionales para baterías y cargadores (puede que no estén incluidos)

#### Baterías (puede que no estén incluidas)

- ◆ Jamás trate de abrirla por ninguna razón.
- ◆ No exponga las baterías al agua.
- ◆ No las almacene en lugares en los que la temperatura pueda superar los 40 °C.
- ◆ Realice la carga únicamente a una temperatura ambiente de entre 10 °C y 40 °C.
- ◆ Utilice únicamente el cargador suministrado con la herramienta para realizar la carga.

- ◆ Cuando vaya a desechar la batería, siga las instrucciones facilitadas en la sección "Protección del medio ambiente".

### Cargadores (puede que no estén incluidos)

- ◆ Solo debe utilizar el cargador BLACK+DECKER para cargar la herramienta con la que se suministró. Otras baterías podrían explotar y provocar lesiones y daños materiales.
- ◆ Nunca intente cargar baterías no recargables.
- ◆ Sustituya los cables defectuosos inmediatamente.
- ◆ No exponga el cargador al agua.
- ◆ No abra el cargador.
- ◆ No aplique ningún dispositivo para medir la resistencia del cargador.



El cargador ha sido concebido para utilizarse únicamente en un lugar interior.



Lea el manual de instrucciones antes de usar el producto.

### Seguridad eléctrica



El cargador presenta un aislamiento doble; por lo tanto, no se requiere conexión a tierra. Compruebe siempre que el voltaje de la red eléctrica corresponda al valor indicado en la placa de características. No intente sustituir el cargador por un enchufe convencional para la red eléctrica.

- ◆ Si se daña el cable de alimentación, deberá ser sustituido por el fabricante o un centro autorizado de BLACK+DECKER, para evitar riesgos.

### Características

Esta herramienta incluye parte o la totalidad de estas características.

1. Mango principal
2. Botón de bloqueo
3. Interruptor de encendido/apagado
4. Batería (puede que no esté incluida)
5. Zapata
6. Tuerca de ajuste de profundidad
7. Empuñadura secundaria
8. Protector superior
9. Escala de ajuste de bisel
10. Hoja
11. Protector inferior de la hoja
12. Escala de ajuste de profundidad
13. Herramienta de bloqueo
14. Puerto de extracción de polvo
15. Tuerca de ajuste del bisel
16. Bloqueo del eje

### Procedimiento de carga (puede que no esté incluido el cargador o la batería)

Los cargadores BLACK+DECKER han sido diseñados para cargar las baterías BLACK+DECKER.

- ◆ Conecte el cargador a la toma adecuada antes de introducir la batería.
- ◆ Introduzca la batería en el cargador.
- ◆ El LED indicador de carga verde parpadeará, lo cual indica que se está cargando la batería.
- ◆ Se indicará que la carga ha terminado porque la luz LED verde permanecerá encendida de manera continua. La batería estará cargada y podrá usarse, o dejarla en el cargador.

**Nota:** Recargue el conjunto descargado de la batería tan pronto como sea posible después del uso; de lo contrario, se reducirá la vida útil del conjunto de la batería. Para aprovechar al máximo la vida útil de la batería, no deje que la batería se agote.

Es recomendable recargar las baterías después de cada uso.

### Dejar la batería en el cargador (puede que no esté incluido)

El cargador y la batería pueden permanecer conectados durante un periodo de tiempo indefinido con el indicador LED iluminado. El cargador mantendrá el conjunto de la batería a baja temperatura y completamente cargado.

### Notas importantes sobre la carga (puede que no esté incluido el cargador o la batería)

- ◆ Se puede conseguir una mayor duración y rendimiento si se carga la batería cuando la temperatura ambiente está entre 65 °F y 75 °F (18 °C y 24 °C). NO cargue la batería cuando la temperatura ambiente sea inferior a +40 °F (+4.5 °C) o superior a +105 °F (+40.5 °C). Esto es importante y prevendrá daños serios a la batería.
- ◆ El cargador y la batería pueden calentarse durante la carga. Esto es normal y no indica ningún problema. Para facilitar el enfriamiento de la batería después del uso, evite colocar el cargador o la batería en un ambiente cálido, como un cobertizo metálico o un remolque sin aislamiento.
- ◆ Si la batería no se carga correctamente:
  - ◆ Enchufe una lámpara u otro aparato para comprobar la corriente del receptáculo.
  - ◆ Compruebe si el receptáculo está conectado a un interruptor de luz que corta la energía al apagar las luces.
  - ◆ Desplace el cargador y la batería hacia un lugar donde la temperatura del aire circundante sea de aproximadamente 65 °F - 75 °F (18 °C - 24 °C).
  - ◆ Si el problema de carga persiste, lleve la herramienta, la batería y el cargador a su servicio técnico local.

- ◆ La batería debe recargarse cuando no produce energía suficiente para trabajos que antes se efectuaban fácilmente. NO SIGA usándolo en estas condiciones. Siga el procedimiento de carga. También puede cargar un paquete parcialmente usado cuando lo desee, sin ningún efecto adverso para el conjunto de la batería.
- ◆ Los materiales conductores extraños como, a título enunciativo pero no limitativo, lana de acero, papel de aluminio o cualquier acumulación de partículas metálicas deben mantenerse alejados de las cavidades del cargador. Desconecte siempre el cargador de la red cuando el conjunto de la batería no esté colocado en la cavidad. Desconecte el cargador antes de intentar limpiarlo.
- ◆ No congele ni sumerja en agua u otros líquidos.

**Advertencia.** No permita que ningún líquido penetre en el cargador. No intente nunca abrir la batería por ningún motivo. Si el alojamiento de plástico de la batería se rompe o se agrieta, llévelo a un servicio técnico para reciclarla.

#### **Batería defectuosa (puede que no esté incluida)**

Si el patrón de parpadeo indica un fallo de la batería, no siga recargando la batería. Llévela a un centro de servicios o a un punto de recogida para el reciclaje.

#### **Retardo por batería fría o caliente (puede que no esté incluida)**

Cuando el cargador detecta que la batería está demasiado caliente o demasiado fría, inicia automáticamente la demora por batería fría o caliente, y suspende la carga hasta que la batería alcanza una temperatura apropiada. El cargador cambiará automáticamente al modo de carga de batería. Esta característica asegura la máxima vida útil a la batería. Una batería fría se carga a una velocidad inferior que una batería caliente. La batería se cargará a una velocidad inferior durante el ciclo completo de recarga y no volverá a la máxima velocidad de carga aunque la batería se caliente.

#### **Instalación y extracción de la batería de la herramienta (puede que no esté incluida)**

**Advertencia.** Antes de llevar a cabo cualquiera de las siguientes operaciones, asegúrese de que la herramienta está desconectada, desenchufada y que la hoja se ha detenido.

#### **Colocación de la batería (Fig. A)**

- ◆ Inserte la batería en la herramienta como se muestra en la figura A. Compruebe que la batería esté correctamente colocada y bloqueada en su posición.
- ◆ Asegúrese de que la batería quede bien colocada y enganchada en su posición.

#### **Extracción de la batería (Fig. B)**

- ◆ Presione el botón de extracción de la batería como se muestra en la figura B y saque la batería de la herramienta.

#### **Soporte de paneles grandes/Fijación de la pieza de trabajo (Fig. C)**

- ◆ Apoye los paneles grandes sobre un soporte para minimizar el riesgo de que la hoja quede atrapada o retroceda. Los paneles grandes tienden a combarse por su propio peso.
- ◆ Es necesario colocar soportes debajo del panel a ambos lados, cerca de la línea del corte y del borde del panel (Figura C).
- ◆ Nunca sostenga la pieza que está cortando con las manos ni sobre una pierna (Figura D).
- ◆ Fije la pieza de trabajo a una plataforma estable como se muestra en la Figura E. Es importante apoyar el trabajo adecuadamente para reducir al mínimo la exposición corporal, el agarrotamiento de la hoja o la pérdida de control.

#### **Ajuste de la profundidad de corte (Figs. F - G)**

- ◆ La profundidad del corte debe ajustarse en función del espesor de la pieza de trabajo.
- ◆ Afloje la tuerca de ajuste de profundidad (6) para desbloquear la zapata de la sierra (5), como se muestra en la Figura F.
- ◆ Ponga la zapata de la sierra en la posición deseada. La profundidad del corte correspondiente se puede leer en la escala (12).
- ◆ Realice el ajuste de profundidad de la sierra de modo que un diente (10) de la hoja sobresalga por debajo de la pieza de trabajo (16) como se muestra en la Figura G.
- ◆ Apriete la tuerca para bloquear la zapata de la sierra en su posición.

#### **Ajuste del ángulo de bisel (Fig. K)**

Los ángulos de bisel de esta herramienta se pueden ajustar en valores comprendidos entre 0° y 50°

- ◆ Afloje la tuerca de ajuste de bisel (14) para desbloquear la zapata de la sierra (5).
- ◆ Ponga la zapata de la sierra (5) hacia la posición deseada. El ángulo de bisel correspondiente se puede leer en la escala (9).
- ◆ Apriete la tuerca de ajuste de bisel (15) para bloquear la zapata de la sierra en su posición.
- ◆ Confirme la precisión de la configuración, comprobando el ángulo de bisel de un corte real en un resto de material.

#### **Ajuste de la zapata para cortes de 90°**

La zapata (5) ha sido ajustada de fábrica para asegurar que la hoja quede perpendicular a la zapata con un ajuste de bisel de 0°.

SI SE REQUIERE UNA REALINEACIÓN:

- ◆ Ajuste la sierra a un bisel de 0°.
- ◆ Retire el protector de la hoja (11).

- ◆ Afloje la tuerca de ajuste de bisel (15). Coloque una escuadra contra la hoja (10) y la zapata (5) para ajustar a 90°.
- ◆ Afloje la contratuerca (16) y mueva el tornillo de ajuste (19) (recuadro de la figura H) hasta que la zapata se detenga en el ángulo correcto. Vuelva a ajustar la contratuerca contra la zapata mientras mantiene el tornillo de ajuste en posición.
- ◆ Confirme la precisión de la configuración comprobando la rectitud de un corte real en un resto de material.

### Colocar y extraer la hoja (Figs. I - J)

- ◆ Retire el protector inferior y coloque la hoja (10) y la tuerca de sujeción (20) como se muestra en la figura I.
- ◆ Pulse el husillo de bloqueo (16) mientras gira el perno de la hoja (21) con la herramienta de bloqueo (13) hasta que la hoja quede enganchada y deje de girar.

**Nota:** El perno se enrosca hacia la izquierda. Para aflojarlo, gírelo en sentido horario. Para apretarlo, gírelo en sentido antihorario.

**Nota:** No acople nunca el bloqueo de la hoja mientras la sierra esté funcionando ni para tratar de detener la herramienta. No encienda nunca la herramienta mientras el bloqueo de la hoja esté acoplado.

Podrá provocar daños importantes a su sierra.

### Protector inferior de la hoja

**Advertencia.** Peligro de corte. El protector inferior de la hoja es una función de seguridad que reduce el riesgo de daños personales graves. No utilice la sierra si el protector inferior falta, está dañado, está mal montado o no funciona correctamente. No confíe en el protector inferior de la hoja para protegerse en todas las circunstancias.

Su seguridad depende de las siguientes advertencias y precauciones, así como del debido funcionamiento de la sierra. Compruebe que protector inferior se cierre bien antes de cada uso, tal y como se indica en el apartado Normas de seguridad adicionales para sierras circulares. Si falta el protector inferior de la hoja o no funciona correctamente, haga reparar la sierra antes de volver a utilizarla. Para garantizar la seguridad del producto y la fiabilidad, las operaciones de reparación, mantenimiento y ajuste deberán ser realizadas por un centro de reparaciones autorizado o una organización habilitada, utilizando siempre piezas de repuesto idénticas.

**Advertencia.** Para minimizar el riesgo de daños oculares, lleve siempre protección visual. Los objetos extraños a la pieza de trabajo, como los cables o los clavos hacen que las puntas se rompan o se partan. Utilice la sierra solo después de colocar un protector de hoja adecuado. Monte bien la hoja para que gire correctamente y utilice siempre hojas limpias y afiladas.

**Advertencia.** Para reducir el riesgo de lesiones, es importante sostener correctamente la pieza de trabajo y asir la sierra con firmeza para evitar una pérdida de control que podría causar lesiones personales. En la Figura E se ilustra cómo deben usarse las manos.

### Uso

**Advertencia.** Para reducir el riesgo de lesiones graves, lea, comprenda y siga todas las advertencias importantes de seguridad y las instrucciones antes de usar la herramienta.

### Selección de la hoja

La sierra circular ha sido diseñada para ser usada con hojas de 140 x 2 mm de diámetro y calibre de 12.7 mm de diámetro. Las hojas deben tener una capacidad de funcionamiento de 7000 RPM (o superior). NO utilice discos abrasivos.

### Cortes en general

**Advertencia.** Para reducir el riesgo de lesiones, saque la batería y siga todas las instrucciones de montaje, ajuste y configuración.

Compruebe que funcione el protector inferior. Seleccione la hoja adecuada para el material que va a cortar.

- ◆ Mida y marque el trabajo para hacer el corte.
- ◆ Sostenga y fije en modo apropiado la pieza de trabajo (Consulte las Normas e instrucciones de seguridad).
- ◆ Use el equipo de seguridad apropiado y exigido (Consulte normas de seguridad).
- ◆ Ponga y mantenga en condiciones de seguridad la zona de trabajo (Consulte normas de seguridad).
- ◆ Con la batería colocada, compruebe si el interruptor enciende y apaga la sierra.

### Interruptor

La sierra dispone de una función de bloqueo del interruptor para evitar que se accione accidentalmente.

- ◆ Para hacer funcionar la herramienta, pulse el botón de bloqueo (2) de ambos lados de la sierra y manténgalo pulsado mientras aprieta el interruptor de encendido (3).
- ◆ Después de apretar el gatillo y cuando la herramienta funciona, suelte el botón de bloqueo.
- ◆ La herramienta seguirá funcionando mientras mantenga pulsado el gatillo.
- ◆ Para apagar la herramienta, suelte el interruptor.

**Nota:** Esta herramienta no está prevista para dejar el interruptor en la posición de encendido y no debe bloquearse en dicha posición mediante ningún otro medio.

### Freno eléctrico automático

Su sierra está equipada con un freno eléctrico de la hoja que la detiene en 1 o 2 después de soltar el gatillo. Es automático y no requiere ningún ajuste.

## Serrado

**Advertencia.** Para reducir el riesgo de lesiones personales graves, sostenga siempre la herramienta con ambas manos.

- ◆ Deje que la hoja gire libremente durante unos segundos antes de empezar a cortar.
- ◆ Ejercer solo una presión libera sobre la herramienta mientras realiza el corte.
- ◆ Trabaje con la zapata presionada contra la pieza de trabajo.

## Consejos para un uso óptimo

- ◆ Dado que es inevitable que se produzca algún astillamiento a lo largo de la línea de corte de la pieza de trabajo, realice el corte en la parte de la pieza en que la aparición de astillamientos no suponga un problema.
- ◆ Cuando los astillamientos deban reducirse al mínimo, como en el caso de los laminados, ponga una pieza de contrachapado en la parte superior de la pieza de trabajo.

## Corte de inmersión (Fig. K)

**Advertencia.** Nunca sujete el protector de la hoja en una posición levantada. No mueva nunca la sierra hacia atrás cuando realice cortes de inmersión. Esto puede hacer que la unidad se levante sobre la superficie de trabajo y cause lesiones.

El corte de inmersión es el que se hace cuando el borde del material no empuja el protector inferior para que quede abierto, sino que el borde inferior de la hoja giratoria corta en medio al material.

- ◆ Ajuste la zapata (5) de la sierra de forma que la hoja corte a la profundidad deseada.
- ◆ Incline la sierra hacia delante y permanezca frente a la zapata sobre el material que va a cortar.
- ◆ Utilizando la palanca retráctil, repliegue el protector de hoja inferior hacia una posición levantada. Baje la parte trasera de la zapata hasta que los dientes de la hoja casi toquen la línea de corte.
- ◆ Suelte el protector de hoja (el contacto con el trabajo se mantendrá en posición para abrirse libremente cuando inicie el corte).
- ◆ Quite la mano de la palanca del protector y aferre bien la empuñadura secundaria (7), como se muestra en la figura N. Coloque el cuerpo y el brazo para que, en su caso, resistan el contragolpe.
- ◆ Compruebe que la hoja no esté en contacto con la superficie de corte antes de empezar a cortar.
- ◆ Arranque el motor, deje que la sierra se detenga completamente y bájela gradualmente hasta que la zapata quede contra el material que va a cortar. Haga avanzar la sierra a lo largo de la línea de corte hasta que termine el corte, como se muestra en la figura K.
- ◆ Suelte el gatillo y deje que la hoja se detenga por completo antes de retirarla del material.

- ◆ Cuando inicie un nuevo corte, repita las etapas mencionadas previamente.

## Resolución de problemas

Problema	Causa posible	Solución posible
La unidad no arranca.	La batería no se ha instalado correctamente.	Compruebe la instalación de la batería.
	La batería no está cargada.	Compruebe los requisitos de carga de la batería.
El motor se detiene mientras está cortando el césped.	No se ha insertado la batería en el cargador.	Inserte la batería en el cargador hasta que se encienda el LED.
	El cargador no está enchufado.	Enchufe el cargador en una toma de corriente que funcione. Puede obtener más información en "Notas importantes para la carga".
	La temperatura del aire circundante es demasiado caliente o demasiado fría.	Desplace el cargador y la batería a un lugar con temperatura ambiente superior a 40 °F (4.5 °C) o inferior a 105 °F (+40.5 °C).
La unidad se apaga repentinamente.	La batería ha alcanzado su máximo límite térmico.	Deje que la batería se enfríe.
	Descargada. (Para maximizar la vida útil de la batería, esta ha sido diseñada para apagarse inmediatamente cuando se agota la carga).	Colóquela en el cargador y déjela cargar.

## Accesorios

El funcionamiento de la herramienta dependerá del accesorio que se utilice. Los accesorios de BLACK+DECKER se han fabricado siguiendo estándares de alta calidad y se han diseñado para mejorar el funcionamiento de la herramienta. Con estos accesorios, sacará el máximo provecho a su herramienta.

## Mantenimiento

La herramienta ha sido diseñada para que funcione durante un largo período de tiempo con un mantenimiento mínimo. El funcionamiento satisfactorio y continuo depende del buen cuidado de la herramienta y de una limpieza frecuente.

**Advertencia.** Antes de realizar cualquier tarea de mantenimiento, apague y desenchufe la herramienta.

- ◆ Limpie periódicamente las ranuras de ventilación de la herramienta con un cepillo suave o un paño seco.
- ◆ Limpie periódicamente la carcasa del motor con un paño húmedo. No utilice limpiadores abrasivos o a base de disolventes.

## Protección del medioambiente



Recogida selectiva. Los productos y las baterías marcadas con este símbolo no se deben desechar junto con los residuos domésticos normales

Los productos y las baterías que contienen materiales que se puedan recuperar o reciclar reducen la demanda de materias primas.



Recicle los productos eléctricos y las baterías de conformidad con la normativa local. Puede obtener más información en [www.2helpU.com](http://www.2helpU.com)

**Datos técnicos**

BDCCS18 H1		
Voltaje de entrada	V <sub>dc</sub>	18
Velocidad en vacío	min <sup>-1</sup>	3700 RPM
Profundidad máxima de corte	mm	43
Profundidad máx. de corte con bisel de 45°	mm	35
Diámetro de la hoja	mm	140
Diámetro del agujero	mm	12.7
Ancho de la punta del disco	mm	2.0
Peso	kg	2.08

Cargador		905902**/ N4940**	905998**/ 906349**
Voltaje de entrada	V <sub>AC</sub>	100-240	220-240
Voltaje de salida	V <sub>DC</sub>	8-20	8-20
Corriente	mA	400	1000
Tiempo aproximado de carga	Horas	3-11	1.5-5

Batería (donde suministrada)		BL2018*	BL1518*	BL4018
Voltage	V <sub>DC</sub>	18	18	18
Capacity	Ah	2.0	1.5	4.0
Tipo		Li-Ion	Li-Ion	Li-Ion

L <sub>pa</sub> (presión acústica) 76,0 dB(A), incertidumbre (K) 3 dB(A)
L <sub>wa</sub> (potencia acústica) 87,0 dB(A), incertidumbre (K) 3 dB(A)
Valores totales de vibración (suma vectorial triaxial) de acuerdo con la norma EN 62841:
Corte de madera (a <sub>h,w</sub> ) 1.5 m/s <sup>2</sup> , incertidumbre (K) 1.5 m/s <sup>2</sup>

**Declaración de conformidad CE**  
DIRECTIVA DE MÁQUINAS



**Sierra circular BDCCS18**

Black & Decker declara que los productos descritos en "datos técnicos" cumplen las siguientes normas:  
EN62841-1:2015, EN62841-2-5:2014.

Estos productos también cumplen las Directivas 2006/42/EC, 2014/30/UE y 2011/65/UE. Para más información, póngase en contacto con Black & Decker en la siguiente dirección o consulte la parte posterior del manual.

El abajo firmante es el responsable de la compilación del archivo técnico y realiza esta declaración en representación de Black & Decker.

A. P. Smith  
Technical Director  
Black & Decker Europa, 270 Bath Road, Slough,  
Berkshire, SL1 4DX  
Reino Unido  
30/04/2019

**Garantía**

Black & Decker confía en la calidad de sus productos y ofrece a los consumidores una garantía de 24 meses a partir de la fecha de compra. Esta garantía es adicional a sus derechos legales y no los menoscaba en modo alguno. La garantía es válida dentro de los territorios de los Estados Miembros de la Unión Europea y del Área de Libre Comercio Europea. Para reclamar la garantía, la reclamación se debe presentar de conformidad con las condiciones de Black & Decker. Tendrá que adjuntar un justificante de compra al vendedor o al agente técnico autorizado. Las condiciones de la garantía de 2 años de Black & Decker y la ubicación de su agente técnico autorizado más cercano se pueden obtener en Internet en [www.2helpU.com](http://www.2helpU.com) o poniéndose en contacto con su oficina local de Black & Decker en la dirección que se indica en este manual. Visite nuestro sitio web [www.blackanddecker.co.uk](http://www.blackanddecker.co.uk) para registrar su nuevo producto Black & Decker y recibir noticias sobre nuevos productos y ofertas especiales.

(Tradução das instruções originais)

**Utilização pretendida**

A sua serra circular BLACK+DECKER BDCCS18 foi concebida para serrar madeira e produtos de madeira. Esta ferramenta destina-se apenas para utilização doméstica.

**Instruções de segurança**

**Avisos de segurança gerais para ferramentas eléctricas**



**Atenção! Leia todos os avisos de segurança e todas as instruções, ilustrações e especificações fornecidas com esta ferramenta eléctrica.** O não cumprimento dos seguintes avisos e instruções listados abaixo pode resultar em choque eléctrico, incêndio e/ou ferimentos graves.

**Guarde todos os avisos e instruções para futura referência.**

A expressão “ferramenta eléctrica” utilizada a seguir refere-se a ferramentas eléctricas com ligação à corrente eléctrica (com cabo) ou com bateria (sem fios).

### 1. Segurança na área de trabalho

#### a. Mantenha a área de trabalho limpa e bem iluminada.

As áreas desorganizadas ou escuras são propensas a acidentes.

#### b. Não trabalhe com ferramentas eléctricas em áreas com risco de explosão, nas quais se encontrem líquidos, gases ou poeiras inflamáveis.

As ferramentas eléctricas criam faíscas que poderão inflamar estas poeiras ou vapores.

#### c. Mantenha crianças e outras pessoas afastadas durante a utilização da ferramenta eléctrica. As distrações podem levar à perda do controlo da ferramenta.

### 2. Segurança eléctrica

#### a. As fichas da ferramenta eléctrica devem encaixar na tomada. Nunca modifique a ficha de forma alguma.

Não utilize fichas adaptadoras com ferramentas eléctricas ligadas à terra. As fichas não modificadas e as tomadas compatíveis reduzem o risco de choque eléctrico.

#### b. Evite que o corpo entre em contacto com superfícies ligadas à terra, como tubos, radiadores, fogões e frigoríficos. Se o seu corpo estiver “ligado” à terra, o risco de choque eléctrico é maior.

#### c. As ferramentas eléctricas não podem ser expostas a chuva nem humidade. A entrada de água numa ferramenta eléctrica aumenta o risco de choque eléctrico.

#### d. Manuseie o cabo com cuidado. Nunca o utilize para transportar, puxar ou desligar a ferramenta eléctrica.

Mantenha o cabo afastado de fontes de calor, substâncias oleosas, arestas afiadas ou peças móveis. Os cabos danificados ou emaranhados aumentam o risco de choque eléctrico.

#### e. Quando trabalhar com uma ferramenta eléctrica ao ar livre, utilize uma extensão adequada para esse fim. A utilização de um cabo adequado para uso ao ar livre reduz o risco de choque eléctrico.

#### f. Se for inevitável trabalhar com uma ferramenta eléctrica num local húmido, utilize um dispositivo de corrente residual (RCD). A utilização de um RCD reduz o risco de choque eléctrico.

### 3. Segurança pessoal

#### a. Mantenha-se atento, observe o que está a fazer e seja prudente quando trabalhar com a ferramenta eléctrica. Não utilize uma ferramenta eléctrica quando estiver cansado ou sob o efeito de drogas, álcool ou medicamentos.

Um momento de distração durante a utilização de ferramentas eléctricas poderá resultar em ferimentos graves.

#### b. Utilize equipamento de proteção pessoal. Use sempre uma proteção ocular. O equipamento de proteção, como, por exemplo, uma máscara contra o pó, sapatos de segurança antiderrapantes, um capacete de segurança ou uma proteção auditiva, usado nas condições apropriadas, reduz o risco de ferimentos.

#### c. Evite arranques involuntários. Certifique-se de que o botão está desligado antes de ligar a ferramenta à corrente eléctrica e/ou à bateria, e antes de levantar ou transportar a ferramenta. Se mantiver o dedo sobre o interruptor ao transportar ferramentas eléctricas ou se as ligar à fonte de alimentação com o interruptor ligado, isso poderá dar origem a acidentes.

#### d. Retire eventuais chaves de ajuste ou chaves de fendas antes de ligar a ferramenta eléctrica. Uma chave de fenda ou de ajuste que se encontre numa peça em rotação da ferramenta eléctrica pode causar ferimentos.

#### e. Não tente chegar a pontos fora do alcance. Mantenha sempre os pés bem apoiados e um equilíbrio apropriado. Desta forma, será mais fácil controlar a ferramenta eléctrica em situações inesperadas.

#### f. Use vestuário adequado. Não use roupa larga ou joias. Mantenha o cabelo, a roupa e as luvas afastados das peças móveis. As roupas largas, as joias ou o cabelo comprido podem ficar presos nestas peças.

#### g. Se for prevista a montagem de dispositivos de extração e recolha de poeiras, assegure-se de que estão ligados e que são utilizados de forma correta. A utilização de dispositivos de extração de partículas pode reduzir os riscos relacionados com as mesmas.

#### h. Não permita que o facto de estar familiarizado com a utilização frequente das ferramentas o torne complacente e ignore os princípios de segurança da ferramenta. Uma acção irreflectida pode causar ferimentos numa fracção de segundos.

### 4. Utilização e manutenção da ferramenta eléctrica

#### a. Não sobrecarregue a ferramenta eléctrica. Utilize a ferramenta eléctrica correta para o seu trabalho. A ferramenta eléctrica adequada irá efetuar o trabalho de um modo mais eficiente e seguro se for utilizada de acordo com a capacidade para a qual foi concebida.

#### b. Não utilize a ferramenta eléctrica se o interruptor não puder ser ligado ou desligado. Qualquer ferramenta eléctrica que não possa ser controlada através do interruptor de alimentação é perigosa e tem de ser reparada.

c. **Desligue a ficha da tomada e/ou a bateria da ferramenta eléctrica antes de proceder a ajustes, trocar acessórios ou guardar ferramentas eléctricas.** Estas medidas de segurança preventivas reduzem o risco de ligar a ferramenta eléctrica acidentalmente.

d. **Mantenha as ferramentas eléctricas que não estiverem a ser utilizadas fora do alcance das crianças. Não permita que a ferramenta eléctrica seja utilizada por pessoas não familiarizadas com a mesma ou que não tenham lido estas instruções.**

As ferramentas eléctricas são perigosas nas mãos de pessoas que não possuam as qualificações necessárias para as manusear.

e. **Proceda à manutenção das ferramentas eléctricas. Verifique se as partes móveis estão desalinhadas ou bloqueadas, se existem peças partidas ou qualquer outra situação que possa afetar o funcionamento das ferramentas eléctricas. Se a ferramenta eléctrica estiver danificada, esta não deve ser utilizada até que seja reparada.** Muitos acidentes têm como principal causa ferramentas eléctricas com uma manutenção insuficiente.

f. **Mantenha as ferramentas de corte afiadas e limpas.** As ferramentas de corte sujeitas a uma manutenção adequada, com arestas de corte afiadas, emperram com menos frequência e controlam-se com maior facilidade.

g. **Utilize a ferramenta eléctrica, os acessórios e as peças de ferramenta, etc., de acordo com estas instruções, considerando as condições de trabalho e a tarefa a ser executada.** A utilização da ferramenta eléctrica para fins diferentes dos previstos poderá resultar em situações perigosas.

h. **Mantenha os punhos e as pegas de fixação secos, limpos e sem qualquer óleo ou gordura. Se tiver as mãos escorregadias e as superfícies com gordura, isso não permite um manuseamento e controlo seguros da ferramentas em situações inesperadas.**

5. **Utilização e cuidados a ter com a ferramenta com baterias**

a. **Carregue apenas com o carregador especificado pelo fabricante.** Um carregador adequado para um tipo de bateria pode causar um incêndio se for utilizado com outra bateria.

b. **Utilize ferramentas eléctricas apenas com baterias específicas.** A utilização de outras baterias pode dar origem a risco de danos e incêndio.

c. **Quando não utilizar a bateria, mantenha-a afastada de outros objectos metálicos, tais como cliques para papel, moedas, chaves, pregos, parafusos ou outros pequenos objectos metálicos que permitam fazer a ligação de um terminal para outro.**

O curto-circuito de terminais das baterias pode causar queimaduras ou incêndio.

d. **Em condições abusivas, pode derramar líquido da bateria, devendo evitar o contacto. Se tocar acidentalmente no líquido, lave bem com água. Se o líquido entrar em contacto com os olhos, consulte um médico.** O líquido derramado da bateria pode causar irritação ou queimaduras.

e. **Não utilize uma bateria ou uma ferramenta que esteja danificada ou modificada.** As baterias danificadas ou modificadas podem ter um comportamento imprevisível, podendo dar origem a um incêndio, explosão ou risco de ferimentos.

f. **Não exponha a bateria ou ferramenta ao fogo ou excesso de temperatura.** A exposição ou uma temperatura superior a 130 °C pode dar origem a uma explosão.

g. **Siga todas as instruções de carregamento e não carregue a bateria ou a ferramenta fora da gama de temperaturas especificadas nas instruções.** Se o carregamento não for efectuado correctamente ou se a temperaturas não estiverem de acordo com o limite especificado, a bateria pode ficar danificada e há um maior risco de incêndio.

6. **Assistência**

a. **A sua ferramenta eléctrica só deve ser reparada por pessoal qualificado e só devem ser colocadas peças sobressalentes originais.** Desta forma, é garantida a segurança da ferramenta eléctrica.

b. **Nunca repare baterias danificadas.** A reparação de baterias só deve ser efectuada pelo fabricante ou por fornecedor de serviços autorizado.

**Avisos de segurança adicionais para ferramentas eléctricas**



**Atenção!** Avisos de segurança adicionais para todas as serras

**Procedimentos de corte**



**Mantenha as mãos afastadas da área de corte e da lâmina. Mantenha a outra mão na pega auxiliar ou no compartimento do motor.** Se segurar a serra com ambas as mãos, não podem há o risco de se cortar com a lâmina.

- ◆ **Não tente tocar por baixo da peça a trabalhar.** A protecção não pode protegê-lo da lâmina sob a peça.
- ◆ **Ajuste a profundidade de corte à espessura da peça.** Sob a peça, deverá ser visível menos de um dente completo da lâmina.
- ◆ **Nunca segure a peça a ser cortada com as suas mãos ou sobre a sua perna.**

**Fixe a peça numa plataforma estável.** É importante fixar a peça a trabalhar correctamente, de modo a minimizar a exposição do corpo, bloqueio da lâmina ou perda de controlo.

- ◆ **Segure a ferramenta eléctrica apenas pelas áreas isoladas quando executar uma operação onde a ferramenta de corte possa entrar em contacto com cablagem oculta ou o seu próprio cabo.** O contacto com um cabo “electrificado” irá igualmente expor peças metálicas do sistema “electrificado” da ferramenta e poderá provocar um choque eléctrico ao utilizador.
- ◆ **Ao efectuar cortes rectilíneos, utilize sempre um batente de corte ou uma guia de régua.** Aperfeiçoará a precisão de corte e reduzirá a possibilidade de bloqueio da lâmina.
- ◆ **Utilize sempre lâminas com tamanho e forma correctos (diamante, por oposição a redondo) dos orifícios do mandril.** As lâminas que não correspondam ao equipamento de montagem da serra irão funcionar extrinsecamente, resultando na perda de controlo.
- ◆ **Nunca utilize anilhas ou parafusos danificados ou incorrectos.** As anilhas e o parafuso da lâmina foram concebidos especialmente para a sua serra, para garantir um desempenho e segurança do trabalho de excelente qualidade.

## Informações de segurança adicionais para todas as serras

### Origem dos contra-golpes e avisos relacionados

- ◆ o efeito de recuo é uma reacção súbita a uma lâmina de serra comprimida, presa ou desalinhada, fazendo com que uma serra descontrolada se levante e se solte da peça na direcção do operador;
- ◆ se a lâmina ficar comprimida ou presa na zona de corte, a lâmina bloqueia e a reacção do motor direcciona a unidade rapidamente na direcção do utilizador;
- ◆ se a lâmina ficar dobrada ou desalinhada na área de corte, os dentes na extremidade posterior da lâmina possam ficar presos na superfície superior da madeira, fazendo com que a lâmina se liberte da zona de corte e se direcione para o utilizador

O efeito de recuo é o resultado de uma utilização abusiva da serra e/ou de condições ou procedimentos de utilização incorrectos e pode ser evitado tomando as precauções indicadas abaixo.

- ◆ **Segure firmemente a serra com ambas as mãos e posicione os seus braços de forma a resistir às forças de um contra-golpe. Posicione o corpo para um dos lados da lâmina, mas não alinhado com a lâmina.** O contra-golpe pode fazer com que a serra salte para trás, mas o impacto do contra-golpe pode ser controlado pelo utilizador, caso seja tomadas precauções adequadas.

- ◆ **Quando a lâmina se encontrar bloqueada ou aquando de uma interrupção do corte, por qualquer motivo, liberte o gatilho e segure a serra imóvel no material até que a lâmina pare completamente. Nunca tente remover a lâmina da área de corte nem puxe a serra para trás enquanto a lâmina estiver em movimento, caso contrário pode ocorrer o efeito de recuo.** Investigue e tome acções correctivas para eliminar a causa do bloqueio da lâmina.
- ◆ **Quando continuar a iniciar uma serra na peça, centre a lâmina da serra na zona de corte e verifique se os dentes da serra não estão em contacto com o material.** Se a lâmina da serra se encontrar bloqueada, poderá elevar-se da peça ou ocorrer um contra-golpe quando a serra for reiniciada.
- ◆ **Coloque painéis grandes para minimizar o risco de bloqueio e recuo da lâmina.** Painéis grandes tendem a ceder com o seu próprio peso. Devem ser colocados apoios debaixo do painel em ambos os lados, perto da linha de corte e da extremidade do painel.
- ◆ **Não utilize lâminas embotadas ou danificadas.** Lâminas não afiadas ou instaladas incorrectamente criam um corte estreito, provocando fricção excessiva, bloqueio da lâmina e contra-golpe.
- ◆ **As alavancas de profundidade e de bloqueio de ajuste do bisel devem estar apertadas e fixas antes de fazer o corte.** Se o ajuste da lâmina for alterado durante o corte, poderá provocar o respectivo bloqueio e um contra-golpe.
- ◆ **Tenha especial cuidado quando serrar em paredes existentes ou outras áreas ocultas.** A lâmina saliente pode cortar objectos que possam causar efeito de recuo.

### Função da protecção inferior

- ◆ **Verifique se o resguardo inferior fecha bem antes de cada utilização. Não utilize a serra se o resguardo inferior não se movimentar livremente e fechar de imediato. Nunca fixe nem ate o resguardo inferior na posição aberta.** Se deixar cair a lâmina acidentalmente, o resguardo inferior pode ficar dobrado. Levante o resguardo inferior com a pega retráctil e certifique-se de que desloca livremente e não toca na lâmina nem em qualquer outra parte, em todos os ângulos e profundidades de corte.
- ◆ **Verifique o funcionamento da mola da protecção inferior. Se o resguardo e a mola não funcionarem devidamente, devem ser reparados antes de utilizar a serra.** O resguardo inferior pode funcionar com alguma lentidão devido a peças danificadas, depósitos pegajosos ou acumulação de resíduos.
- ◆ **A protecção inferior poderá ser retraída manualmente apenas no caso de cortes especiais como “cortes por incisão” ou “cortes compostos”.**

Levante o resguardo inferior, recolhendo a pega e assim que a lâmina entrar no material, o resguardo inferior deve ser libertado. No que respeita a outras operações de serragem, o resguardo inferior deve funcionar automaticamente.

- ◆ **Certifique-se sempre de que o resguardo inferior tapa a lâmina antes de colocar a serra na bancada ou no chão.** Uma lâmina não protegida e movida pela inércia irá fazer com que a serra se mova para trás, cortando tudo o que se encontrar no caminho. Verifique o tempo que a lâmina demora a parar de rodar depois de libertar o comando.

## Segurança de terceiros

Não permita que crianças, pessoas com capacidade físicas, sensoriais ou mentais reduzidas ou falta de experiência ou conhecimentos ou não familiarizadas com estas instruções utilizem a máquina, as normas locais podem restringir a idade do operador.

## Riscos residuais

Podem surgir riscos residuais adicionais durante a utilização da ferramenta, que poderão não constar nos avisos de segurança incluídos. Estes riscos podem resultar de má utilização, uso prolongado, etc.

Mesmo com o cumprimento dos regulamentos de segurança relevantes e a implementação de dispositivos de segurança, alguns riscos residuais não podem ser evitados. Estes incluem:

- ◆ Ferimentos causados pelo contacto com peças em rotação/movimento.
- ◆ Ferimentos causados durante a troca de peças, lâminas ou acessórios.
- ◆ Ferimentos causados pela utilização prolongada de uma ferramenta. Quando utilizar uma ferramenta durante períodos prolongados, certifique-se de que faz pausas regularmente.
- ◆ Danos auditivos.
- ◆ Problemas de saúde causados pela inalação de poeiras resultantes da utilização da ferramenta (exemplo: trabalhos em madeira, especialmente carvalho, faia e MDF).

## Vibração

Os valores de emissão de vibração declarados na secção de dados técnicos e na declaração de conformidade foram medidos de acordo com o método de teste padrão fornecido pela EN EN62841 e podem ser utilizados para comparar ferramentas. O valor de emissão de vibração declarado pode ainda ser utilizado numa avaliação preliminar de exposição.

**Atenção!** O valor de emissão de vibração durante a utilização real da ferramenta eléctrica pode ser diferente do valor declarado, dependendo da forma como a ferramenta é utilizada.

O nível de vibração pode aumentar acima do nível indicado. Quando avaliar a exposição da vibração para determinar as medidas de segurança exigidas pela Diretiva 2002/44/CE para proteger pessoas que utilizem regularmente ferramentas eléctricas na sua atividade profissional, deve ser considerada uma estimativa de exposição de vibração, as condições reais de utilização e o modo de utilização da ferramenta, incluindo ainda todas as partes do ciclo de funcionamento, como os períodos de inatividade e espera da ferramenta, para além do tempo de funcionamento.

## Etiquetas colocadas na ferramenta

A ferramenta apresenta os seguintes pictogramas de aviso juntamente com o código de data:



**Atenção!** Para reduzir o risco de ferimentos, o utilizador deve ler o manual de instruções.

## Instruções de segurança adicionais para baterias e carregadores (podem não estar incluídos)

### Baterias (podem não estar incluídas)

- ◆ Nunca tente abrir a bateria, seja qual for o motivo.
- ◆ Não exponha a bateria à água.
- ◆ Não armazene em locais onde a temperatura possa exceder os 40°C.
- ◆ Carregue apenas a temperaturas ambiente entre 10 °C e 40 °C.
- ◆ Carregue apenas com o carregador fornecido com a ferramenta.
- ◆ Ao eliminar as baterias, siga as instruções indicadas na secção "Proteção do ambiente".

### Carregadores (podem não estar incluídos)

- ◆ Utilize o seu carregador BLACK+DECKER apenas para carregar a bateria da ferramenta com que foi fornecido. Outras baterias podem rebentar, provocando ferimentos e danos.
- ◆ Nunca tente carregar baterias não recarregáveis.
- ◆ Substitua os cabos defeituosos imediatamente.
- ◆ Não exponha o carregador à água.
- ◆ Não abra o carregador.
- ◆ Não manipule o interior do carregador.



O carregador deverá ser utilizado apenas em espaços interiores.



Antes da utilização, leia o manual de instruções.

## Segurança eléctrica



O seu carregador tem isolamento duplo. Por esse motivo, não precisa de ligação à terra. Verifique sempre se a tensão de alimentação corresponde à tensão indicada na placa sinalética.

Nunca tente substituir a unidade do carregador por uma tomada de alimentação normal.

- ◆ Se o cabo de alimentação estiver danificado, terá de ser substituído pelo fabricante ou por um centro autorizado BLACK+DECKER para evitar acidentes.

## Componentes

Esta ferramenta inclui algumas ou todas as características seguintes.

1. Pega principal
2. Botão de desbloqueio
3. Gatilho para ligar/desligar
4. Bateria (pode não estar incluída)
5. Base de apoio
6. Botão de ajuste da profundidade
7. Cabo secundário
8. Resguardo superior
9. Régua de ajuste do bisel
10. Lâmina
11. Resguardo inferior da lâmina
12. Régua de ajuste de profundidade
13. Ferramenta de fixação
14. Porta de extracção de poeira
15. Botão de ajuste do bisel
16. Bloqueio do veio

## Procedimento de carregamento (pode não estar incluído)

Os carregadores da BLACK+DECKER são concebidos para carregar baterias da BLACK+DECKER.

- ◆ Ligue o carregador numa tomada adequada antes de inserir a bateria.
- ◆ Insira a bateria no carregador.
- ◆ O LED verde ficará a piscar, indicando que a bateria está a ser carregada.
- ◆ A conclusão do processo de carregamento é LED verde, que permanece ligado de maneira contínua. A bateria fica totalmente carregada e pode ser utilizada nesta altura ou pode deixá-la no carregador.

**Nota:** Recarregue as baterias descarregadas assim que possível após a utilização, caso contrário a duração da bateria pode diminuir consideravelmente. Para uma maior duração da bateria, não descarregue as baterias totalmente.

Recomenda-se que as baterias sejam carregadas após cada utilização.

## Deixar a bateria no carregador (pode não estar incluído)

O carregador e a bateria podem permanecer ligados com o LED aceso indefinidamente. O carregador irá manter a bateria completamente carregada.

## Notas importantes sobre carregamento (podem não estar incluídas)

- ◆ É possível aumentar a duração e o desempenho da bateria se carregá-la quando a temperatura ambiente se situar entre 18 °C e 24 °C. NÃO carregue a bateria se a temperatura ambiente for inferior a +4,5 °C ou superior a +40,5 °C. Isto é importante e impede danos graves na bateria.
- ◆ O carregador e a bateria podem ficar demasiado quentes durante o carregamento. Isto é normal e não representa um problema. Para facilitar o arrefecimento da bateria, evite colocar o carregador ou a bateria num local quente, como num barracão metálico ou num reboque não isolado.
- ◆ Se a bateria não carregar correctamente:
  - ◆ Verifique a corrente no receptáculo, ligando uma lâmpada ou outro aparelho.
  - ◆ Verifique se o receptáculo está ligado a um comutador de iluminação que se desliga quando desliga as luzes.
  - ◆ Coloque o carregador e a bateria num local onde a bateria num local onde a temperatura do ar ambiente seja de aproximadamente 18 ° - 24 °C).
  - ◆ Se os problemas de carregamento persistirem, leve a ferramenta, a bateria e o carregador para um centro de assistência local.
- ◆ A bateria deve ser recarregada se não fornecer energia suficiente durante trabalhos que tenham sido efectuados facilmente. NÃO CONTINUE a utilizar o aparelho nestas condições. Siga o procedimento de carregamento. Pode também carregar uma bateria parcialmente utilizada sempre que quiser, porque não afecta a bateria.
- ◆ Os materiais estranhos condutores como, por exemplo, mas não limitado a, lâ de aço, folha de alumínio ou qualquer acumulação de partículas metálicas devem ser removidos dos orifícios do carregador. Desligue sempre o carregador da fonte de alimentação quando não estiver inserida uma bateria no respectivo orifício. Desligue o carregador antes de proceder à limpeza.
- ◆ Não congele nem coloque o carregador dentro de água ou de outros líquidos.

**Atenção!** Não permita a entrada de líquidos no carregador. Nunca tente abrir a bateria, seja qual for o motivo. Se a estrutura de plástico da bateria se partir ou rachar, envie o aparelho para um centro de assistência para reciclagem.

**Bateria fraca (pode não estar incluída)**

Se aparecer um padrão intermitente de problemas na bateria, interrompa o carregamento da bateria. Entregue-a a um centro de assistência ou num local de recolha para reciclagem.

**Atraso na bateria quente/fria (pode não estar incluído)**

Se o carregador detectar que uma bateria está demasiado quente ou fria, inicia automaticamente a retardação de calor/frio, suspendendo o carregamento até a bateria atingir a temperatura adequada. Em seguida, o carregador muda automaticamente para o modo de carga. Esta função assegura a duração máxima da bateria. Uma bateria fria fica carregada a uma taxa mais lenta do que uma bateria quente. A bateria irá carregar a essa taxa mais lenta durante todo o ciclo de carga e não recupera a taxa de carga máxima, mesmo que a bateria aqueça.

**Inserir e retirar a bateria da ferramenta (pode não estar incluído)**

**Atenção!** Antes de tentar executar qualquer uma das operações que se seguem, certifique-se de que a ferramenta está desligada e a lâmina de serra está parada.

**Instalar a bateria (Fig. A)**

- ◆ Insira a bateria na ferramenta, como indicado na Figura A. Certifique-se de que a bateria está totalmente inserida e fixada na respectiva posição.
- ◆ Certifique-se de que a bateria está totalmente encaixada na posição.

**Retirar a bateria (Fig. B)**

- ◆ Prima o botão de libertação da bateria, como indicado na Figura B e retire a bateria da ferramenta.

**Colocar painéis grandes/fixar a peça a trabalhar (Fig. C)**

- ◆ Apoie painéis grandes para minimizar o risco de prender a lâmina ou provocar o seu ressalto. Painéis grandes tendem a ceder com o seu próprio peso, como indicado na Figura C.
- ◆ Devem ser colocados apoios debaixo do painel em ambos os lados, perto da linha de corte e da extremidade do painel, como indicado na Figura C.
- ◆ Nunca segure a peça a ser cortada com as suas mãos ou sobre a sua perna, como indicado na Figura D.
- ◆ Fixe a peça numa plataforma estável, como indicado na Figura E. É importante fixar a peça a trabalhar correctamente, de modo a minimizar a exposição do corpo, bloqueio da lâmina ou perda de controlo.

**Ajuste da profundidade de corte - (Fig. F - G)**

- ◆ A profundidade de corte deverá ser definida de acordo com a espessura da peça.
- ◆ Desaperte o botão de ajuste de profundidade (6) para desbloquear a base da serra (5), como indicado na Figura F.
- ◆ Mova a base da serra para a posição pretendida. A profundidade de corte correspondente pode ser lida a partir da escala (12).
- ◆ Regule o ajuste de profundidade da serra, de modo a que um dente (10) da lâmina fique saliente abaixo da peça a trabalhar (16), como indicado na Figura G.
- ◆ Aperte o interruptor para bloquear a base da serra na respectiva posição.

**Ajuste do ângulo do bisel (Fig. K)**

Os ângulos do bisel desta ferramenta podem ser definidos entre 0° e 50°

- ◆ Desaperte o botão de ajuste do bisel (14) para desbloquear a base da serra (5).
- ◆ Mova a base da serra (5) para a posição pretendida. O ângulo do bisel correspondente pode ser lido a partir da régua (9).
- ◆ Aperte o botão de ajuste do bisel (15) para bloquear a base da serra na respectiva posição.
- ◆ Confirme a precisão da definição, verificando o ângulo de bisel de um corte num pedaço de material cortado.

**Ajuste da base de apoio para cortes a 90°**

A base de apoio (5) foi regulada de fábrica para assegurar que a lâmina fica perpendicular em relação à base de apoio a uma definição de bisel de 0°.

SE FOR NECESSÁRIO EFECTUAR O REALINHAMENTO:

- ◆ Ajuste a serra para um bisel de 0°.
- ◆ Recolha o resguardo da lâmina (11).
- ◆ Afrouxe o botão de ajuste do bisel (15). Coloque um esquadro contra a lâmina (10) e o apoio (5) para especificar um ângulo de 90°.
- ◆ Afrouxe a porca de aperto (16) e rode o parafuso de ajuste (19) (Figura H) até que a base de apoio pare no ângulo adequado. Volte a apertar a porca de aperto na base de apoio, mantendo o parafuso de ajuste na respectiva posição.
- ◆ Confirme a precisão da definição, verificando a configuração quadrada de um corte num pedaço de material cortado.

**Fixar e retirar a lâmina (Fig. I - J)**

- ◆ Recolha o resguardo inferior e monte a lâmina (10) e a anilha de fixação (20), como indicado na Figura I.
- ◆ Accione o bloqueio do eixo (16) ao mesmo tempo que roda o parafuso da lâmina (21) com a ferramenta de fixação (13) até o bloqueio da lâmina ficar encaixado e a lâmina parar de rodar.

**Nota:** O parafuso tem uma rosca no lado esquerdo. Para afrouxá-lo, rode-o para a direita. Para apertá-lo, rode-o para a esquerda.

**Nota:** Nunca encaixe o bloqueio da lâmina com a serra a funcionar, nem o encaixe como tentativa para parar a ferramenta. Nunca ligue a ferramenta com o bloqueio da lâmina encaixado. Podem ocorrer danos graves na serra.

### Resguardo inferior da lâmina

**Atenção!** Risco de dilaceração. O resguardo inferior da lâmina é uma função de segurança que reduz o risco de ferimentos graves. Nunca utilize a serra se o resguardo inferior estiver em falta, apresentar danos, estiver montado incorrectamente ou não funcionar em condições. Não conte com o resguardo inferior da lâmina para protegê-lo em todas as circunstâncias.

A sua segurança depende do cumprimento de todos os avisos e precauções, bem como do funcionamento correcto da serra. Verifique se o resguardo inferior está devidamente fechado antes de cada utilização, tal como indicado em Regras de segurança adicionais para serras circulares. Se o resguardo inferior da lâmina estiver em falta ou não funcionar correctamente, a serra deve ser reparada antes de a utilizar. Para garantir a segurança e a fiabilidade do equipamento, a reparação, manutenção e o ajuste devem ser efectuados num centro de assistência autorizado do equipamento, autorizado ou noutra organização de assistência qualificada, utilizando sempre peças sobresselentes idênticas.

**Atenção!** Use sempre protecção ocular para minimizar o risco de lesões oculares. Quaisquer objectos estranhos na peça a trabalhar, tais como arame ou pregos podem fazer com que as pontas fiquem rachadas ou partidas. Utilize a serra apenas se o resguardo da lâmina da serra estiver instalado. Monte a lâmina com firmeza com a rotação adequada antes de a utilizar e use sempre uma lâmina limpa e afiada.

**Atenção!** Para reduzir o risco de ferimentos, é importante apoiar a peça de trabalho correctamente e segurar a serra com firmeza para impedir a perda de controlo, que pode dar origem a ferimentos. A Figura E mostra o suporte manual típico.

### Utilização

**Atenção!** Para reduzir o risco de ferimentos, leia, compreenda e siga todos os avisos e instruções de segurança importantes antes de utilizar a ferramenta.

### Escolher as lâminas

A serra circular foi concebida para utilização com lâminas com 140 x 2 mm de diâmetro, cujo diâmetro de furo é de 12,7 mm. As lâminas devem ter uma velocidade nominal de 7000 RPM (ou superior). NÃO utilize discos abrasivos.

### Cortes gerais

**Atenção!** Para reduzir o risco de ferimentos, retire a bateria e siga todas as instruções de montagem, ajuste e configuração. Certifique-se de que o resguardo inferior está operacional. Seleccione a lâmina adequada para o material que pretende cortar.

- ◆ Meça e marque a peça que pretende cortar.
- ◆ Apoie e fixe a peça correctamente (consulte Regras de segurança e instruções).
- ◆ Utilize equipamento de segurança adequado e necessário (consulte Regras de segurança).
- ◆ Proteja e faça a manutenção da área de trabalho (consulte Regras de segurança).
- ◆ Com a bateria colocada, certifique-se de que o gatilho liga e desliga a serra.

### Interruptor

A serra está equipada com uma funcionalidade de bloqueio do interruptor para evitar o funcionamento accidental.

- ◆ Para colocar a ferramenta em funcionamento, pressione o botão de desbloqueio (2) num dos lados da serra e mantenha-o premido à medida que pressiona o interruptor de accionamento (3).
- ◆ Depois de pressionar o gatilho e quando a ferramenta estiver em funcionamento, liberte o botão de desbloqueio.
- ◆ A ferramenta irá permanecer a funcionar enquanto o interruptor de gatilho for premido.
- ◆ Para desligar a ferramenta, liberte o interruptor de accionamento.

**Nota:** Esta ferramenta não está regulada para bloquear a ferramenta na posição de ligado e o gatilho nunca deve ser bloqueado para Ligado por quaisquer outros meios.

### Freio electromagnético automático

A serra está equipada com um travão da lâmina eléctrico, que pára a lâmina da serra 1-2 segundos depois de libertar o gatilho. Isto é automático e não requer ajuste.

### Serrar

**Atenção!** Para reduzir o risco de ferimentos graves, segure sempre a ferramenta com ambas as mãos.

- ◆ Deixe a lâmina a trabalhar livremente durante alguns segundos antes de começar a cortar.
- ◆ Exerça um ligeira pressão na ferramenta quando efectuar o corte.
- ◆ Trabalhe com o base pressionada contra a peça.

### Sugestões para uma utilização ótima

- ◆ Uma vez que não é possível evitar que a madeira lasque ao longo da linha de corte na parte superior da peça, corte apenas no lado em que tal é aceitável.



- ◆ Quando pretender minimizar a criação de lascas, por exemplo, para serrar laminados, fixe um fragmento de contraplacado na parte superior da peça.

## Cortes por incisão (Fig. K)

**Atenção!** Nunca fixe o resguardo da lâmina numa posição levantada. Nunca puxe a serra para trás quando efectuar cortes ligeiros. Isto pode fazer com que a unidade se projecte para cima da superfície de trabalho, podendo causar ferimentos. Um corte directo é efectuado quando a extremidade do material não empurra o resguardo inferior para abri-lo, mas a extremidade inferior da lâmina rotativa faz um corte na parte central do material.

- ◆ Ajuste a base de apoio (5) para que a lâmina efectue o corte de acordo com a profundidade pretendida.
- ◆ Incline a serra para a frente e deixe a parte da frente da base sobre o material que pretende cortar.
- ◆ Esta ferramenta destina-se apenas para utilização doméstica. Baixe a parte traseira da base de apoio até os dentes da lâmina quase tocarem na linha de corte.
- ◆ Liberte o resguardo da lâmina (o contacto da lâmina com a peça a trabalhar irá mantê-la numa posição para abrir-se lentamente à medida que iniciar o corte).
- ◆ Retire a mão da alavanca do resguardo e agarre com firmeza na pega secundária (7), como indicado na Figura N. Posicione o corpo e o braço para que possa resistir ao contra-golpe, caso ocorra.
- ◆ Antes de iniciar o corte, certifique-se de que a lâmina não está em contacto com a superfície de corte.
- ◆ Ligue o motor, aguarde até que a serra atinja a velocidade total e depois baixe gradualmente a serra até a base ficar apoiada sobre o material que pretende cortar. Empurre a serra para a frente ao longo da linha de corte até o corte ser concluído, como indicado na Figura K.
- ◆ Liberte o gatilho e deixe a lâmina parar por completo antes de retirar a lâmina do material.
- ◆ Quando iniciar um novo corte, repita os procedimentos indicados acima.

## Resolução de problemas

Problema	Causa possível	Solução possível
A unidade não é iniciada.	A bateria não está montada correctamente.	Verifique a instalação da bateria.
	A bateria não está carregada.	Verifique os requisitos para carregar a bateria.
O motor pára durante o corte.	Bateria não introduzida no carregador.	Introduza a bateria no carregador até que o LED se acenda.
	Carregador não ligado.	Ligue o carregador à tomada. Consulte "Notas importantes sobre carregamento" para obter mais informações.
	A temperatura de ar circundante é demasiado quente ou fria.	O carregador e a bateria devem estar a uma temperatura de ar ambiente superior a 40 °C ou inferior a 40,5 °C.

Problema	Causa possível	Solução possível
A unidade desliga-se de maneira abrupta.	A bateria atingiu o limite térmico máximo.	Deixe a bateria arrefecer.
	Sem carga. (Para maximizar a duração da bateria, esta foi concebida para desligar-se de maneira abrupta quando a carga ficar esgotada).	Instale o carregador e aguarde até o equipamento estar carregado.

## Acessórios

O desempenho da sua ferramenta depende do acessório utilizado. Os acessórios BLACK+DECKER são concebidos segundo normas de elevada qualidade e desenvolvidos de modo a melhorar o desempenho da sua ferramenta. Utilizando estes acessórios, tirará o melhor partido da sua ferramenta.

## Manutenção

A sua ferramenta foi concebida para funcionar por um longo período de tempo com uma manutenção mínima. Uma utilização continuamente satisfatória depende de uma manutenção apropriada da ferramenta e de uma limpeza regular.

**Atenção!** Antes de proceder a qualquer ação de manutenção, desligue a ferramenta e retire a ficha da tomada.

- ◆ Limpe regularmente as aberturas de ventilação da ferramenta com uma escova suave ou um pano seco.
- ◆ Limpe regularmente o compartimento do motor com um pano húmido. Não utilize produtos de limpeza abrasivos ou à base de dissolventes.

## Proteção do ambiente



Faça uma recolha de lixo seletiva. Os produtos e baterias assinalados com este símbolo não devem ser eliminados em conjunto com resíduos domésticos normais

Os produtos e as baterias contêm materiais que podem ser recuperados ou reciclados, reduzindo assim a necessidade de matérias-primas.

Recicle os produtos eléctricos e as baterias de acordo com as disposições locais. Estão disponíveis mais informações em [www.2helpU.com](http://www.2helpU.com)

## Dados técnicos

BDCCS18 H1		
Tensão de entrada	V <sub>ac</sub>	18
Velocidade sem carga	min <sup>-1</sup>	3 700 RPM
Profundidade máxima de corte	mm	43
Profundidade máxima de corte com um bisel de 45°	mm	35
Diâmetro da lâmina	mm	140
Diâmetro interno da lâmina	mm	12,7

BDCCS18 H1		
Largura da ponta da lâmina	mm	2,0
Peso	kg	2,08

Carregador		905902**/ N4940**	905998**/ 906349**
Tensão de entrada	V <sub>AC</sub>	100-240	220-240
Tensão de saída	V <sub>DC</sub>	8-20	8-20
Corrente	mA	400	1000
Tempo aproximado de carga	Horas	3-11	1,5-5

Bateria (onde fornecido)		BL2018*	BL1518*	BL4018
Voltage	V <sub>DC</sub>	18	18	18
Capacity	Ah	2.0	1.5	4.0
Tipo		Li-Ion	Li-Ion	Li-Ion

L <sub>PA</sub> (pressão acústica) 76,0 dB(A), Imprecisão (K) 3 dB(A)
L <sub>WA</sub> (potência acústica) 87,0 dB(A), Imprecisão (K) 3 dB(A)
Valores totais de vibração (soma de vetores triaxiais) de acordo com EN 62841:
Cortar madeira (a <sub>w</sub> ) 1,5 m/s <sup>2</sup> , variabilidade (K) 1,5 m/s <sup>2</sup>

## Declaração de conformidade CE

DIRECTIVA "MÁQUINAS"



### Serra circular BDCCS18

A Black & Decker declara que os produtos descritos nos "dados técnicos" estão em conformidade com: EN62841-1:2015, EN62841-2-5:2014.

Estes produtos estão também em conformidade com a Diretiva 2006/42/EC, 2014/30/UE e 2011/65/UE. Para obter mais informações, contacte a Black & Decker através do endereço seguinte ou consulte o verso do manual.

O signatário é responsável pela compilação do ficheiro técnico e efetua esta declaração em nome da Black & Decker.

A. P. Smith  
 Technical Director  
 Black & Decker Europe, 270 Bath Road, Slough,  
 Berkshire, SL1 4DX  
 Reino Unido  
 30/04/2019

## Garantia

A Black & Decker confia na qualidade dos seus produtos e oferece aos clientes uma garantia de 24 meses a partir da data de compra. Esta garantia é um complemento dos seus direitos estabelecidos por lei, não os prejudicando de forma alguma.

A garantia é válida nos Estados-membros da União Europeia e nos países-membros da Zona Europeia de Comércio Livre. Para accionar a garantia, esta deve estar em conformidade com os termos e condições da Black & Decker e terá de apresentar comprovativos de compra ao vendedor ou a um agente de reparação autorizado. Os termos e condições da garantia de 2 anos da Black&Decker e a localização do agente de reparação autorizado mais próximo podem ser obtidos na Internet em [www.2helpU.com](http://www.2helpU.com) ou contactando uma filial da Black & Decker, cuja morada está indicada neste manual.

Visite o nosso Website [www.blackanddecker.co.uk](http://www.blackanddecker.co.uk) para registar o novo produto Black & Decker e manter-se atualizado relativamente a novos produtos e ofertas especiais.

(Översättning av originalanvisningarna)

**SVENSKA**

## Avsedd användning

Din BLACK+DECKER BDCCS18 cirkelsåg har designats för sågning av trä och träprodukter. Detta verktyg är endast avsett för konsumentbruk.

## Säkerhetsinstruktioner

### Allmänna säkerhetsanvisningar för elverktyg



**Varning! Läs alla säkerhetsvarningar, alla instruktioner och specifikationer som levereras med detta elverktyg.** Fel som uppstår till följd av att varningarna och instruktionerna som listas nedan inte följts kan orsaka elstötar, brand och/eller allvarliga kroppsskador.

**Spara alla säkerhetsföreskrifter och anvisningar för framtida bruk.** Begreppet "Elverktyg" i alla varningar som listas nedan avser nätdrivna elverktyg (med nätsladd) och batteridrivna elverktyg (sladdlösa).

#### 1. Säkerhet på arbetsplatsen

- Se till att arbetsområdet är rent och väl belyst.** Belamrade och mörka områden inbjuder till olyckor.
- Använd inte elverktyget i explosionsfarlig omgivning, t.ex. i närheten av brännbara vätskor, gaser eller damm.** Elverktyg skapar gnistor som kan antända damm eller ångor.
- Håll barn och åskådare på avstånd vid arbete med elverktyget.** Distraktioner kan göra att du förlorar kontrollen.

#### 2. Elsäkerhet

- Elverktygets stickkontakt måste passa i eluttaget. Modifiera aldrig kontakten på något sätt. Använd inga adapterkontakter tillsammans med jordade elverktyg.**

icke modifierade kontakter och passande uttag minskar risken för elektrisk stöt.

- b. **Undvik kroppskontakt med jordade ytor, t.ex. rör, värmeelement, spisar och kylskåp.** Det finns en ökad risk för elektrisk stöt om din kropp är jordansluten eller jordad.
- c. **Utsätt inte elverktyget för regn eller våta omgivningar.** Vatten som kommer in i ett elverktyg ökar risken för elektrisk stöt.
- d. **Misshandla inte nätsladden.** Använd aldrig sladden för att bära, dra eller koppla bort elverktyget från uttaget. Håll sladden borta från värme, olja, skarpa kanter eller rörliga delar. Skadade eller tilltrasslade sladdar ökar risken för elektrisk stöt.
- e. **Använd en förlängningssladd som lämpar sig för utomhusbruk när du arbetar med elverktyg utomhus.** Användning av en sladd som är lämplig för utomhusbruk minskar risken för elektriska stötar.
- f. **Om du måste använda ett elverktyg på en fuktig plats, bör du använda en strömförsörjning med jordfelsbrytare.** Användning av en jordfelsbrytare minskar risken för elektrisk stöt.

### 3. Personlig säkerhet

- a. **Var uppmärksam, se på vad du gör och använd sunt omdöme när du använder elverktyget.** Använd inte ett elverktyg när du är trött eller påverkad av droger, alkohol eller mediciner. Ett ögonblicks uppmärksamhet när du arbetar med elektriska verktyg kan leda till allvarliga personskador.
- b. **Använd personlig skyddsutrustning.** Använd alltid skyddsglasögon. Skyddsutrustning såsom dammfilterskydd, halssäkra säkerhetsskor, skyddshjälm eller hörselskydd som används för lämpliga förhållanden minskar personskador.
- c. **Förhindra oavsiktlig start. Kontrollera att strömbrytaren står i avstängt läge innan du ansluter verktyget till elnätet eller sätter i batteriet, samt innan du tar upp eller bär verktyget.** Att bära elektriska verktyg med fingret på strömbrytaren eller att koppla strömmen till elektriska verktyg när strömbrytaren är på leder till olyckor.
- d. **Ta bort alla inställningsverktyg och skruvnycklar innan du startar elverktyget.** Ett verktyg eller en nyckel som har lämnats kvar på en roterande del av det elektriska verktyget kan orsaka kroppsskador.
- e. **Sträck dig inte för mycket. Ha ordentligt fotfäste och balans hela tiden.** Detta möjliggör bättre kontroll av elverktyget i oväntade situationer.
- f. **Bär lämpliga kläder.** Bär inte lösa kläder eller smycken. Håll hår, beklädnad och handskar borta från delar i rörelse. Lösa kläder, smycken eller långt hår kan fastna i rörliga delar.

- g. **Om enheten har dammutsugnings- och uppsamlingsutrustning, se till att den är ansluten och används på korrekt sätt.** Användning av dammuppsamling kan minska dammrelaterade risker.
- h. **Låt inte förtrogenheten som uppstått genom regelbunden användning av verktyg låta dig bli självsäker och ignorera verktygets säkerhetsprinciper.** En oförsiktig handling kan orsaka allvarliga skador under bråkdelen av en sekund.

### 4. Användning och skötsel av elverktyg

- a. **Överbelasta inte elverktyget.** Använd rätt elverktyg för ditt arbete. Det korrekta elverktyget gör arbetet bättre och säkrare vid den hastighet för vilket det konstruerades.
  - b. **Använd inte elverktyget om det inte kan startas och stängas av med strömbrytaren.** Ett elverktyg som inte kan kontrolleras med strömbrytaren är farligt och måste repareras.
  - c. **Dra stickproppen ur vägguttaget och/eller ta ut batteriet ur elverktyget innan inställningar görs, tillbehör byts ut eller elverktyget ställs undan.** Sådana förebyggande säkerhetsåtgärder minskar risken att oavsiktligt starta elverktyget.
  - d. **Förvara elverktyg utom räckhåll för barn och låt inte personer som är ovana vid elverktyget eller som inte läst denna bruksanvisning använda det.** Elverktyg är farliga i händerna på ovana användare.
  - e. **Underhålla elverktyg och tillbehör. Kontrollera att rörliga komponenter fungerar felfritt och inte kärvar, att komponenter inte gått sönder eller skadats och inget annat föreligger som kan påverka elverktygets funktion.** Om det är skadat, se till att elverktyget blir reparerat före användning. Många olyckor orsakas av dåligt underhållna elektriska verktyg.
  - f. **Håll skärande verktyg vassa och rena.** Korrekt underhållna kapverktyg med vassa skär är mindre troliga att de fastnar och är lättare att kontrollera.
  - g. **Använd elverktyg, tillbehör, bits m.m. enligt dessa anvisningar, samtidigt som arbetsförhållandena och det arbete som ska utföras beaktas.** Användning av elverktyget för andra uppgifter än vad som avsetts kan resultera i farliga situationer.
  - h. **Håll handtagen och greppytorna torra, rena och fria från olja och fett.** Håll handtag och greppytor förhindrar säker hantering och kontroll av verktyget i oväntade situationer.
- ### 5. Användning och skötsel av batteridrivet verktyg
- a. **Ladda endast med den laddare som är specificerad av tillverkaren.** En laddare som passar en batterityp kan medföra brandrisk om den används ihop med ett annat batteri.

- b. Använd endast de batteripaket som är speciellt avsedda för elverktyget. Användning av andra batteripaket kan leda till personskador eller eldsvåda.
- c. När batteriet inte används ska du hålla det åtskilt från metallföremål som gem, mynt, nycklar, spik, skruvar och andra små metallföremål som kan orsaka kortslutning mellan batteriets poler. Kortslutning av batteripolerna kan leda till brännskador eller eldsvåda.
- d. Under olämpliga förhållanden kan vätska spruta ut från batteriet. Undvik kontakt. Vid oavsiktlig kontakt, spola med vatten. Om vätskan kommer i kontakt med ögonen, sök också läkarhjälp. Vätska som sprutar ur batteriet kan orsaka sveda och brännskador.
- e. Använd inte batteripaket eller verktyg som är skadade eller modifierade. Skadade eller modifierade batterier kan uppträda oväntat och det kan resultera i brand, explosion eller skador.
- f. Utsätt inte batteripaket eller verktyg för brand eller höga temperaturer. Exponering för brand eller temperaturer över 129 °C kan orsaka en explosion.
- g. Följ laddningsinstruktionerna och ladda inte batteripaketet eller verktyget utanför det temperaturområde som specificeras i instruktionerna. Felaktig laddning eller vid temperaturer utanför den specificerade området kan skada batteriet och öka risken för brand.

## 6. Service

- a. Låt en kvalificerad reparatör som bara använder originaldelar utföra service på elverktyget. Detta säkerställer att elverktygets säkerhet bibehålls.
- b. Gör aldrig service på skadade batteripaket. Service på batteripaket skall endast utföras av tillverkaren eller auktoriserad servicepersonal.

## Ytterligare säkerhetsanvisningar för elverktyg



**Varning!** Ytterligare säkerhetsvarningar för alla sågar

## Sågningsprocedurer



Håll händerna borta från sågområdet och sågklingen. Håll din andra hand på hjälphandtaget eller motorhöljet. Om båda händerna hålls på sågen kan de inte sågas av klingen.

- ◆ För inte in handen under arbetsstycket. Skyddet kan inte skydda handen mot sågklingen under arbetsstycket.
- ◆ Justera sågdjupet efter tjockleken på arbetsstycket. Den synliga delen av en tand på sågklingen under arbetsstycket måste vara mindre än en hel tand.

- ◆ Håll aldrig arbetsstycket i händerna eller över benen. Fäst arbetsstycket på ett stabilt underlag. Det är viktigt att arbetsstycket hålls fast ordentligt för att undvika kontakt med kroppen, inklämning av sågklingen eller förlorad kontroll över sågen.
- ◆ Håll alltid verktyget i de isolerade greppytorna vid arbete där sågen riskerar att komma i kontakt med dolda elledningar eller med sin egen nätsladd. Vid kontakt med en strömförande ledning kommer verktygets metalldelar också att bli strömförande och du kan få en elektrisk stöt.
- ◆ Använd alltid ett anhåll eller ett skydd med raka kanter när du klyvsågar. Detta möjliggör mer noggrann sågning och minskar risken för att sågklingen fastnar.
- ◆ Använd alltid sågklingor med rätt storlek och lämpligt infästningshål (t.ex. i stjärnform eller rund). Klingor som inte passar till sågens monteringskomponenter roterar excentriskt och leder till att kontrollen förloras över sågen.
- ◆ Använd aldrig skadade eller felaktiga klingbrickor eller bultar. Klingbrickorna och bultarna har konstruerats speciellt för denna såg för optimal effekt och driftsäkerhet.

## Ytterligare säkerhetsinstruktioner för alla sågar

### Rekylorsaker och tillhörande varningar

- ◆ en rekyl är en plötslig reaktion hos en sågklinga som hakat upp sig, klämts fast eller är fel inriktad och som leder till att sågen okontrollerat lyfts upp ur arbetsstycket och kastas mot användaren;
  - ◆ om sågklingen hakar upp sig eller kläms fast i sågspåret som går ihop, kommer klingen att blockera varefter motorkraften kastar sågen i riktning mot användaren;
  - ◆ om klingen blir vriden eller felriktat i sågskåran kan tänderna i bakkanten av klingen gräva sig in i övre ytan av träet och göra att klingen klättrar ut ur sågskåran och hoppar bakåt mot operatören
- Rekyl är resultatet av felaktig användning av sågen och eller inkorrekt hanteringsprocedur eller förhållanden som kan undvikas genom korrekta försiktighetsåtgärder såsom anges nedan.

- ◆ Håll sågen ordentligt med båda händerna och placera armarna så att du håller emot de krafter som kastar sågen bakåt. Placera kroppen på någon sida av klingen men inte i linje med klingen. Vid en rekyl kan cirkelsågen hoppa bakåt men användaren kan behärska rekylkraften om lämpliga åtgärder vidtagits.
- ◆ Om bladet fastnar, eller om sågningen upphör av någon anledning, ska du släppa strömbrytaren och hålla sågen still i arbetsstycket tills bladet helt slutar att snurra.

Försök aldrig att ta bort sågen från arbetsstycket eller att dra sågen bakåt medan klingan är i rörelse eftersom det kan bli en rekyl. Lokalisera orsaken för inklämd sågklinga och avhjälj felet.

- ♦ **Vill du återstarta en såg som sitter i arbetsstycket centrera sågklingan i sågspåret och kontrollera att sågklingans tänder inte hakat upp sig i arbetsstycket.** Om klingan fastnar kan den klättra uppåt eller kastas ut från arbetsstycket när sågen startas igen.
- ♦ **Stöd stora arbetsstycken för att minimera risken för kärvning och rekyl.** Stora arbetsstycken böjs ofta av sin egen vikt. Skivorna måste därför stödas på båda sidorna både i närheten av sågspåret och vid skivans kanter.
- ♦ **Använd inte slöa eller skadade blad.** Slöa eller felaktigt monterade klingor genererar smala sågspår, vilket leder till att friktionen ökar, klingan fastnar eller att sågen kastas bakåt.
- ♦ **Före sågning påbörjas dra stadigt fast inställning-sanordningarna för sågdjup och snittvinkel.** Om klinginställningarna ändras medan du sågar kan klingan fastna eller sågen kastas bakåt.
- ♦ **Var extra försiktig vid sågning i befintliga väggar eller andra dolda områden.** Den inträngande sågklingan kan såga föremål som kan orsaka rekyl.

## Undre skyddets funktion

- ♦ **Kontrollera att det nedre skyddet stänger ordentligt innan varje användning. Använd inte sågen om det undre klingskyddet inte är fritt rörligt och inte stängs omedelbart. Kläm aldrig fast eller bind det undre klingskyddet i öppet läge.** Om sågen av misstag tappas kan det undre klingskyddet deformeras. Öppna klingskyddet med återdragningsspaken och kontrollera att det är fritt rörligt och att det vid alla snittvinklar och snittdjup varken berör sågklingan eller andra delar.
- ♦ **Kontrollera att fjädern på det undre skyddet fungerar som den ska. Om skyddet och fjädern inte fungerar rätt, måste de repareras före användning.** Skadade delar, klibbiga avlagringar eller anhopning av spån kan hindra det undre klingskyddets rörelse.
- ♦ **Det undre skyddet får endast öppnas manuellt vid särskilda typer av sågning, t.ex. "instickssägning" och "kombinerad sågning".** Öppna det undre klingskyddet med återdragningsspaken och släpp den så fort sågklingan gått in i arbetsstycket. Vid all annan sågning måste det undre klingskyddet fungera automatiskt.
- ♦ **Se till att sågklingan skyddas av det undre klingskyddet när sågen läggs bort på arbetsbänk eller golv.** Om sågen är avstängd och klingan fortfarande snurrar och är oskyddad kommer sågen att vandra bakåt och skära in i allt som kommer i dess väg. Var medveten om den tid det tar för klingan att stanna efter att avtryckaren släppts.

## Andras säkerhet

Låt aldrig barn, personer med reducerad sensorisk eller mental kapacitet eller utan erfarenhet eller kunskap eller personer som är obekant med dessa instruktioner använda maskinen, det kan finnas lokala bestämmelser om åldersgräns för användaren.

## Återstående risker

Ytterligare risker som inte finns med i de bifogade säkerhetsanvisningarna kan uppstå när verktyget används. Dessa risker kan uppstå vid felaktig eller långvarig användning, etc. Även om alla relevanta säkerhetsanvisningar följs och säkerhetsanordningar används kan vissa ytterligare risker inte undvikas. Dessa omfattar:

- ♦ Skador orsakade av att roterande/rörliga delar vidrörs.
- ♦ Skador som uppstår vid byte av delar, blad eller tillbehör.
- ♦ Skador som orsakas av långvarig användning av ett verktyg. Se till att regelbundet ta vilopausar när du använder ett verktyg under en längre period.
- ♦ Hörselnedsättning.
- ♦ Hälsorisker orsakade av inandning av damm när redskapet används (exempel: arbete med trä, särskilt ek, bok och MDF)

## Vibrationer

De vibrationsvärden som anges i avsnitten Tekniska data och deklarationen om överensstämmelse har uppmätts i enlighet med en standardtestmetod föreskriven i EN62841 och kan användas för jämförelse med andra verktyg. Det angivna vibrationsvärdet kan även användas för en preliminär bedömning av exponeringen.

**Varning!** Vibrationsvärdet under faktisk användning av elverktyget kan skilja sig från det uppgivna värdet beroende på hur verktyget används. Vibrationsnivån kan överstiga den uppgivna nivån.

Vid uppskattningar av exponering för vibrationer i syfte att bedöma vilka säkerhetsåtgärder som är nödvändiga enligt 2002/44/EG för att skydda personer som regelbundet använder elverktyg i arbetet ska man utgå från de faktiska omständigheter under vilka elverktyget används och sättet på vilket det används. Bedömningen ska även ta hänsyn till alla moment i arbetscykeln, t.ex. när verktyget är avstängt och när det går på tomgång såväl som när det faktiskt används.

## Etiketter på verktyget

Följande varningssymboler finns på verktyget, tillsammans med datumkoden:



**Varning!** Läs bruksanvisningen före användning för att minska risken för personskador.

## Ytterligare säkerhetsinstruktioner för batterier och laddare (kanske inte medföljer)

### Batterier (kanske inte medföljer)

- ◆ Försök aldrig öppna batteriet.
- ◆ Utsätt inte batteriet för vatten.
- ◆ Förvara inte på platser där temperaturen kan bli högre än 40 °C.
- ◆ Ladda endast vid temperaturer mellan 10 °C och 40 °C.
- ◆ Ladda endast med hjälp av laddare som medföljer verktyget.
- ◆ Följ instruktionerna som anges i avsnittet "Skydda miljön" när du kastar batterierna.

### Laddare (kanske inte medföljer)

- ◆ Använd endast laddaren från BLACK+DECKER för att ladda batteriet i det redskap som laddaren levererades med. Andra batterier kan spricka och orsaka personskador och andra skador.
- ◆ Försök aldrig ladda batterier som inte är uppladdningsbara.
- ◆ Byt defekta sladdar omgående.
- ◆ Utsätt inte laddaren för vatten.
- ◆ Öppna inte laddaren.
- ◆ Gör ingen åverkan på laddaren.



Laddaren är endast avsedd för inomhusbruk.



Läs bruksanvisningen före användning.

### Elsäkerhet



Eftersom laddaren är dubbelisolerad behövs ingen jordledare. Kontrollera alltid att nätspänningen överensstämmer med spänningen på typskylten. Försök aldrig byta ut laddaren mot en vanlig nätkontakt.

- ◆ Om nätssladden är skadad måste den bytas ut av tillverkaren eller ett auktoriserat BLACK+DECKER-center för att undvika farliga situationer.

### Funktioner

Detta verktyg har några eller samtliga av följande funktioner.

1. Huvudhandtag
2. Låsknapp
3. Strömbrytare
4. Batterier (kanske inte medföljer)
5. Sågfoot
6. Djupinställning
7. Extrahandtag
8. Övre skydd
9. Fasjusteringsskala

10. Klinga
11. Nedre klingskydd
12. Djupinställningsskala
13. Låsverktyg
14. Dammutsugningsuttag
15. Fasjusteringsratt
16. Spindellås

### Laddningsprocedur (kanske inte medföljer)

BLACK+DECKER laddare är designade för att ladda BLACK+DECKER batteripaketet.

- ◆ Koppla in laddaren i lämpligt uttag innan batteripaketet sätts i.
- ◆ Sätt i batteripaketet i laddaren.
- ◆ Den gröna LED:n blinkar, vilket indikerar att batteriet laddas.
- ◆ När laddningen är klar indikeras detta av att den gröna LED:n lyser kontinuerligt. Batteriet är fulladdat och kan nu användas eller lämnas i laddaren.

**Notera:** Ladda urladdade batterier så snart som möjligt efter användning, i annat fall kan batterilivslängden minska betydligt. För att uppnå maximal maximal batterilivslängd bör du inte ladda ur batteriet helt och hållet. Vi rekommenderar att du laddar batterierna efter varje användning.

### Lämna batteriet i laddaren (kanske inte medföljer)

Batteriet kan sitta kvar i laddaren och laddaren kan vara ansluten till vägguttaget hur länge som helst när indikatorn lyser. Laddaren ser till att batteriet hålls fräscht och fulladdat.

### Viktiga laddningsnoteringar (kanske inte medföljer)

- ◆ Längsta livslängd och bästa prestanda uppnås om batteripaketet laddas då lufttemperaturen är mellan 18 °C och 24 °C. Ladda INTE batteripaketet i lufttemperaturer under +4,5 °C eller över +40,5 °C. Detta är viktigt eftersom det förhindrar allvarlig skada på batteripaketet.
- ◆ Laddaren och batteripaketet kan bli för varma att vidröra under laddningen. Detta är normalt och indikerar inte något problem. För att möjliggöra kylning av batteripaketet, undvik att placera laddaren eller batteripaketet på en varm plats såsom i ett metallskjul eller i en oisolerad vagn.
- ◆ Om batteripaketet inte laddas korrekt:
  - ◆ Kontrollera eluttaget genom att ansluta en lampa eller någon annan apparat.
  - ◆ Kontrollera om uttaget är anslutet till en strömbrytare som stänger av strömmen när du tänder lamporna.
  - ◆ Flytta laddaren och batteripaketet till en plats där den omgivande temperaturen är ungefär 18 °C- 24 °C.
  - ◆ Om laddningsproblemen kvarstår, lämna verktyget, batteripaketet och laddaren till ditt lokala servicecenter.

- ◆ Batteripaketet måste laddas när de inte längre kan producera tillräckligt med energi för jobb som enkelt utfördes tidigare. FORTSÄTT INTE att använda det under dessa förhållanden. Följ laddningsproceduren. Du kan också ladda ett delvis använt paket när du så önskar utan att det har någon negativ effekt på batteripaketet.
- ◆ Främmande föremål som är ledande såsom, men inte begränsat till, stålull, aluminiumfolie eller ansamling av metallpartiklar bör hållas borta från laddningshålrummet. Koppla alltid ifrån laddaren från eluttaget när det inte finns något batteripaket i facket. Koppla ifrån laddaren vid rengöring.
- ◆ Frys inte eller sänk ned laddaren i vatten eller annan vätska.

**Varning!** Låt ingen vätska komma in i laddaren. Försök aldrig att öppna batteripaketet av någon anledning. Om plasthöljet på batteripaketet går sönder eller spricker, lämna det till ett servicecenter för återvinning.

### Dåligt batteri (kanske inte medföljer)

Om du ser detta blinkmönster för dåligt batteri, fortsätt då inte att ladda batteriet. Returnera det till ett servicecenter eller lämna det till batteriinsamlingen.

### Hett/kall paketfördröjning (kanske inte medföljer)

När laddaren upptäcker ett batteripaket som är för hett eller för kallt kommer den automatiskt att starta en Het/kall paketfördröjning, skjuter upp laddningen tills batteripaketet har nått en lämplig temperatur. Laddaren växlar sedan automatiskt till laddningsläge. Denna funktion garanterar maximal batteripaketets livslängd. Ett kallt batteri kommer att ladda med en lägre hastighet jämfört med ett varmt batteripaket. Paketet kommer att laddas med en lägre hastighet genom hela laddningscykeln och kommer inte att återgå till maximal laddningshastighet även om batteriet blir varmt.

### Montering och borttagning av batteripaketet från verktyget (kanske inte medföljer)

**Varning!** Innan du gör något av nedanstående ska du kontrollera att verktyget är avstängt, att sågklingan är orörligt och att sladden inte sitter i.

#### Installera batteripaketet (bild A)

- ◆ Sätt i batteripaketet i verktyget såsom visas i bild A. Se till att batteripaketet er helt isatt och låst på plats.
- ◆ Se till att batteripaketet sitter helt på plats och är låst i positionen.

#### Ta bort batteripaketet (bild B)

- ◆ Tryck ned batterilåsknappen såsom visas i bild B och dra bort batteripaketet från verktyget.

### Stödja stora skivor/fästa arbetsstycke (bild C)

- ◆ Stöd stora arbetsstycken för att minimera risken för att klingan kläms fast och att sågen kastas bakåt.

- Stora skivor tenderar att böjas under sin egen vikt såsom visas i bild C.
- ◆ Stöd måste placeras under skivan på båda sidor, nära såglinjen och nära kanten på skivan, bild C.
- ◆ Håll aldrig arbetsstycket i händerna eller över benen vid sågning, bild D.
- ◆ Fäst arbetsstycket på en stabil plattform såsom visas i bild E. Det är viktigt att arbetsstycket stöds ordentligt för att minimera kontakt med kroppen, inklämning av sågklingan eller förlorad kontroll över sågen.

### Sågdjupinställning - (bild F - G)

- ◆ Sågdjupet ska anpassas efter tjockleken på arbetsstycket.
- ◆ Lossa djupinställningsratten (19) för att låsa upp sågskon (5) såsom visas i bild F.
- ◆ Flytta sågskon till önskad position. Motsvarande sågdjup kan avläsas på skalan (12).
- ◆ Ställ in djupinställningen på sågen så att en tand (10) på klingan sticker ut under arbetsstycket (16) såsom visas i bild G.
- ◆ Dra åt ratten för att låsa sågskon på plats.

### Fasvinkelinställning - (bild K)

Det här verktyget kan ställas in på fasvinklar mellan 0° och 50°

- ◆ Lossa temperaturinställningar (14) för att låsa upp sågskon (5).
- ◆ Flytta sågskon (5) till önskad position. Motsvarande fasvinkel kan avläsas på skalan (9).
- ◆ Dra åt temperaturinställningar (15) för att låsa sågskon på plats.
- ◆ Bekräfta den korrekta inställningen genom att kontrollera fasvinkeln för aktuell sågning genom att säga i en skruvbits.

### Fotinställning för 90° sågningar

Skon (5) har ställts in från fabrik för att garantera att klingan är vinkelrät mot skon vid 0° fasinställning.

OM EFTERJUSTERING BEHÖVS:

- ◆ Ställ in sågen på 0° fasvinkel.
- ◆ Dra tillbaka klingskyddet (11).
- ◆ Lossa fasinställningsratten (15). Placera en vinkelhake mot klingan (10) och skon (5) och justera 90°-inställningen.
- ◆ Lossa låsmuttern (16) och flytta inställningsskruven (19) (infälld bild H) så att skon stoppar i korrekt vinkel. Dra åt låsmuttern igen mot skon medan inställningsskruven hålls på plats.
- ◆ Bekräfta den korrekta inställningen genom att kontrollera drivenheten genom att säga i en skruvbits.

## Fästa och ta bort klingan (bild I - J)

- ◆ Dra tillbaka det nedre skyddet och monteringsklingan (10) och lås brickan (20) såsom visas i bild I.
- ◆ Tryck ned spindellåset (16) medan kartongbiten (21) vrids med lås verktyget (13) tills klingans lås aktiveras och klingan slutar att rotera.

**Notera:** Bulten är vänstergängad. För att lossa vrid medurs. För att dra åt vrid moturs.

**Notera:** Aktivera aldrig spindellåset när sågen körs eller aktivera för att stoppa verktyget. Slå aldrig på verktyget när klingan är aktiverad. Det kan resultera i allvarliga skador på sågen.

## Nedre klingskydd

**Varning!** Risk för skärskador. Det nedre klingskyddet är en säkerhetsfunktion som reducerar risken för allvarliga personskador. Använd aldrig sågen om det nedre klingskyddet saknas, är skadat eller inte fungerar korrekt. Lita inte på att det nedre klingskyddet alltid skyddar dig.

Din säkerhet beror på att alla varningar och försiktighetsåtgärder följs samt att sågen hanteras korrekt. Kontrollera att det nedre klingskyddet stänger ordentligt innan varje användning såsom anges i Ytterligare säkerhetsregler för cirkelsågar. Om det nedre klingskyddet saknas eller inte fungerar korrekt, lämna sågen på service innan den används. För att garantera produktens säkerhet och pålitlighet skall alltid reparationer och inställningar göras av ett auktoriserat servicecenter eller annan kvalificerad serviceorganisation och att alltid identiska reservdelar används.

**Varning!** För att minimera risken för skador skall alltid skyddsglasögon användas. Främmande föremål på en arbetsplats såsom en ledning eller spik kan göra att spetsen spricker eller bryts av. Använd endast sågen när korrekt sågklingskydd är monterat. Montera klingan säkert med korrekt rotation innan användning och använd alltid en rent och vasst klinga.

**Varning!** För att minska risken för skador är det viktigt att stöjda arbetsstycket ordentligt och håll sågen i ett fast grepp för att förhindra kontrollen förloras vilket kan orsaka personskador. Bild E illustrerar typiskt handstöd.

## Användning

**Varning!** För att minska risken för allvarliga personskador, se till att du har läst och förstått bruksanvisningen och följa alla viktiga säkerhetsanvisningar och instruktioner innan du använder verktyget.

## Klingval

Den cirkelsåg har designats för användning med klingor i 140 x 2 mm diameter som har ett 12,7 mm diameter hål. Klingor måste vara märkta för 7000 RPM drift (eller högre). Använd INTE slipskivor.

## Allmänna sågningar

**Varning!** För att minska risken för skador, ta bort batteriet och följa alla instruktioner för montering, justering och inställning. Se till att det nedre skyddet fungerar. Välj lämplig klinga för det material som skall sågas.

- ◆ Mät och markera arbetet för sågning.
- ◆ Stöd och fäst arbetet på lämpligt sätt (se Säkerhetsregler och instruktioner).
- ◆ Använd säkerhetsutrustning som är lämplig och som krävs (se Säkerhetsregler).
- ◆ Säkra och bibehåll arbetsområdet (se Säkerhetsregler).
- ◆ Med batteriet isatt, se till att strömbrytaren slår på och stänger av sågen.

## Strömbrytare

Sågen är utrustad med en låsfunktion för strömbrytaren som används för att förhindra att verktyget startas oavsiktligt.

- ◆ För att använda verktyget, tryck in låsknappen (2) från någon sida på sågen och håll kvar samtidigt som du trycker på strömbrytaren (3).
- ◆ Efter att du har tryckt in avtryckaren och verktyget körs, släpp låsknappen.
- ◆ Verktyget fortsätter att köra så länge som strömbrytaren är intryckt.
- ◆ För att stänga av verktyget, släpp strömbrytaren.

**Notera:** Detta verktyg är inte möjligt att låsa strömbrytaren i on-läget och strömbrytaren bör aldrig låsas i on-läge med några andra metoder.

## Automatisk elektrisk broms

Din såg är utrustad med en elektrisk klingbroms som stoppar sågklingan inom 1-2 sekunder efter att strömbrytaren släpps. Detta sker automatiskt och kräver inga inställningar.

## Sågning

**Varning!** För att minska risken för allvarlig personskada, använd alltid verktyget med båda händerna.

- ◆ Låt sågklingan köra i några sekunder innan du börjar såga.
- ◆ Tryck bara försiktigt på sågen medan du sågar.
- ◆ Arbeta med skon tryckt mot arbetsstycket.

## Tips för optimal användning

- ◆ Eftersom det inte helt går att undvika flis bildning i skär linjen på arbetsstyckets ovasida ska du såga på den sida där det är mest acceptabelt med flisbildning.
- ◆ När man vill minimera flis bildningen, t.ex. när man sågar i laminat, kan man klämma fast ett stycke plywood ovanpå arbetsstycket.

## Instickssägning (bild K)

**Varning!** Fäst aldrig upp klingskyddet i upplyft position. Flytta aldrig sågen bakåt vid instickssägning. Detta kan göra att enheten reser sig upp från arbetsytan vilket kan orsaka skador.



En instickssågning är det som görs när kanten på materialet inte öppnar det nedre skyddet, men nedre kanten på den roterande klingan sågar i mitten av materialet.

- ◆ Ställ i skon (5) så att klingan sågar på önskat djup.
- ◆ Luta sågen framåt och vila fronten på foten mot materialet som skall sågas.
- ◆ Använd spaken på nedre skyddet och dra tillbaka det nedre klingskyddet till en uppåtriktad position. Sänk bakdelen på skon tills klingans tänder nästan vidrör såglinjen.
- ◆ Släpp klingskyddet (dess kontakt med arbetsstycket kommer att hålla det på plats för att öppnas fritt när sågningen startar).
- ◆ Ta bort handen från skyddets spak och ta ett fast grepp om den andra handtaget (7) såsom visas i bild N. Placera kroppen och armen så att du kan stå emot en reykl om sådan uppstår.
- ◆ Se till att klingan är i kontakt med sågytan innan sågen startas.
- ◆ Starta motorn, låt sågen nå full hastighet och sänk sedan gradvis sågen tills skon vilar plant på materialet som skall sågas. Forsått längs såglinjen tills sågningen är klar såsom visas i bild K.
- ◆ Släpp avtryckaren och låt klingan stoppa helt och hållet innan klingan dras tillbaka från materialet.
- ◆ Vid start av varje ny sågning, upprepa ovanstående.

## Underhåll

Detta verktyg har tillverkats för att fungera under lång tid med ett minimum av underhåll. Kontinuerlig tillfredsställande drift beror på ordentlig verktygsvård och regelbunden rengöring.

**Varning!** Innan något underhåll utförs måste verktyget stängas av och sladden dras ut ur vägguttaget.

- ◆ Rengör regelbundet apparatens luftintag med en mjuk borste eller torr trasa.
- ◆ Rengör motorhöljet regelbundet med en fuktig trasa. Använd aldrig något slipande eller lösningsmedelsbaserat rengöringsmedel.

## Skydda miljön



Separat insamling. Produkter och batterier som är markerade med denna symbol får inte kastas i de vanliga hushållsoporna

Produkter och batterier innehåller material som kan återanvändas eller återvinnas för att minska behovet av råmaterial. Återvinn elektriska produkter och batterier enligt lokala bestämmelser. Närmare information finns tillgänglig på [www.2helpU.com](http://www.2helpU.com)

## Tekniska data

BDCCS18 H1		
Inspänning	$V_{ac}$	18
Varvtal obelastad	$min^{-1}$	3700 RPM
Maximalt sågningsdjup	mm	43
Max sågningsdjup vid 45° fasnig	mm	35
Klingdiameter	mm	140
Håldiameter	mm	12,7
Tandjocklek	mm	2,0
Vikt	kg	2,08

Laddare		905902**/ N4940**	905998**/ 906349**
Inspänning	$V_{ac}$	100-240	220-240
Utspänning	$V_{dc}$	8-20	8-20
Ström	mA	400	1000
Ungefärlig laddningstid	Timmar	3-11	1.5-5

Batteri (där levereras)		BL2018*	BL1518*	BL4018
Voltage	$V_{dc}$	18	18	18
Capacity	Ah	2.0	1.5	4.0
Typ		Li-Ion	Li-Ion	Li-Ion

$L_{pa}$ (ljudnivå) 76,0 dB(A), osäkerhet (K) 3 dB(A)
$L_{wk}$ (ljudeffekt) 87,0 dB(A), osäkerhet (K) 3 dB(A)

## Felsökning

Problem	Möjlig orsak	Möjlig lösning
Enheten startar inte.	Batteriet sitter inte rätt.	Se till att batteriet sitter som det ska.
	Batteriet är inte laddat.	Se till att batteriet är ordentligt laddat.
Motorn stannar under klippning.	Batteripaketet är inte ordentligt infört i laddaren.	Sätt batteriet i laddaren så att LED lyser.
	Laddaren är inte ansluten till elnätet.	Anslut laddaren till ett fungerande eluttag. Se "Viktiga anmärkningar gällande laddning" för närmare information.
	Omgivande temperatur är för varm eller för kall.	Flytta laddaren och batteriet till en plats där temperaturen i den omgivande luften är över 4,5 °C eller under +40,5 °C.
Enheten stängs av plötsligt.	Batteriet har nått dess maximala termiska gräns.	Låt batteripaketet svalna.
	Slut på laddning. (För att maximera livslängden på batteripaketet är det designat att stängas av plötsligt när laddningen är slut).	Placera på laddare och ladda.

## Tillbehör

Verktygets prestanda beror på vilka tillbehör du använder. Tillbehör från BLACK+DECKER håller hög kvalitet och är konstruerade för att fungera optimalt med verktyget. Genom att använda dessa tillbehör får du ut mesta möjliga av verktyget.

Totala vibrationsvärden (vektorsumman av tre axlar) enligt EN 62841:

Träsågning (a<sub>w</sub>, w) 1,5 m/s<sup>2</sup>, osäkerhet (K) 1,5 m/s<sup>2</sup>

## EG-försäkran om överensstämmelse

MASKINDIREKTIVET



**BDCCS18 cirkelsåg**

Black & Decker försäkrar att dessa produkter, beskrivna under "tekniska data" uppfyller:  
EN62841-1:2015, EN62841-2-5:2014.

Dessa produkter överensstämmer även med direktiven 2006/42/EC, 2014/30/EU och 2011/65/EU. För ytterligare information kontakta Black & Decker på följande adress, eller se handbokens baksida.

Undertecknad är ansvarig för sammanställningen av tekniska data och gör denna försäkran för Black & Decker.

A. P. Smith  
Technical Director  
Black & Decker Europe, 270 Bath Road, Slough,  
Berkshire, SL1 4DX  
Storbritannien  
2019-04-30

## Garanti

Black & Decker är säker på kvaliteten hos denna produkt och erbjuder kunder 24 månaders garanti från datumet för inköpet. Garantin gäller utöver konsumentens rättigheter enligt lag och påverkar inte dessa. Garantin är giltig i de områden som tillhör medlemsstaterna i Europeiska unionen och det europeiska frihandelsområdet.

För yrkande under garantin måste yrkandet vara in enlighet med Black & Deckers villkor och du kommer att behöva skicka in bevis på köpet till försäljaren eller en auktoriserad reparatör. Villkoren för Black&Deckers tvååriga garanti och var du hittar din närmaste auktoriserade reparatör kan erhållas på internet på [www.2helpU.com](http://www.2helpU.com), eller genom att kontakta ditt lokala Black & Decker kontor på adressen som angetts i denna bruksanvisning.

Besök vår webbplats [www.blackanddecker.se](http://www.blackanddecker.se) för att registrera din nya Black & Decker-produkt samt för att få information om nya produkter och specialerbjudanden.

## Intended use

Din BLACK+DECKER BDCCS18 sirkelsåg er designet for saging av treverk og treprodukter. Dette verktøyet er bare ment som et forbrukerverktøy.

## Sikkerhetsinstruksjoner

### Generelle sikkerhetsadvarsler for elektroverktøy



**Advarsel! Les alle sikkerhetsanvisninger, instruksjoner, illustrasjoner og spesifikasjoner som følger dette elektriske verktøyet.** Hvis advarslene og anvisningene nedenfor ikke overholdes, kan det medføre elektrisk støt, brann og/eller alvorlige personskader.

**Ta vare på alle advarsler og instruksjoner for fremtidig bruk.** Uttrykket "elektroverktøy" i alle advarslene nedenfor gjelder for strømdrevne elektroverktøy (med ledning) og batteridrevne elektroverktøy (uten ledning).

#### 1. Sikkerhet i arbeidsområdet

- Hold arbeidsområdet rent og godt opplyst.** Rotete eller mørke områder er en invitasjon til ulykker.
- Ikke arbeid med elektroverktøy i eksplosjonsfarlige omgivelser, for eksempel der det finnes seg brennbare væsker, gass eller støv.** Elektrisk verktøy skaper gnister som kan antenne støv eller gasser.
- Hold barn og andre personer unna når du bruker et elektroverktøy.** Distraksjoner kan føre til at du mister kontrollen.

#### 2. Elektrisk sikkerhet

- Støpselet til verktøyet må passe til stikkkontakten. Aldri modifier støpselet på noen måte. Ikke bruk adapterstøpsler til jordede elektriske verktøy.** Umodifiserte støpsler og stikkontakter som passer vil redusere risikoen for elektrisk sjokk.
- Unngå kroppskontakt med jordede overflater som rør, radiatorer, komfyrer og kjøleskap.** Det er økt risiko for elektrisk støt dersom kroppen din er jordnet.
- Ikke utsett elektroverktøy for regn eller fuktighet.** Dersom det kommer vann inn i et elektrisk verktøy vil det øke risikoen for elektrisk sjokk.
- Unngå uforsvarlig behandling av ledningen. Aldri bruk ledningen til å bære, trekke eller dra ut støpselet til det elektriske verktøyet. Hold ledningen borte fra varme, olje, skarpe kanter eller bevegelige deler.** Skadede eller innviklede ledninger øker risikoen for elektrisk sjokk.
- Når du bruker et elektroverktøy utendørs, må du bruke en skjøteledning som er egnet til utendørs bruk.**

- Bruk av en skjøteledning beregnet for utendørs bruk reduserer risikoen for elektrisk støt.
- f. **Hvis du ikke kan unngå å bruke elektroverktøy på et fuktig sted, må du bruke en strømforsyning som er beskyttet med jordfeilbryter (RCD).** Bruk av jordfeilbryter (RCD) reduserer risikoen for elektrisk støt.
3. **Personsikkerhet**
- a. **Vær oppmerksom, pass på hva du gjør, og vis fornuft når du arbeider med et elektroverktøy. Ikke bruk et elektrisk verktøy dersom du er trøtt eller er påvirket av medikamenter, narkotika eller alkohol.** Ett øyeblikks uoppmerksomhet under bruk av elektriske verktøy kan føre til alvorlig personskade.
- b. **Bruk personlig verneutstyr. Bruk alltid vernerbriller.** Verneutstyr slik som støvmaske, sklisikre vernesko, hjelm, eller hørselsvern brukt under passende forhold vil redusere personskader.
- c. **Forhindre utilsiktet start. Kontroller at bryteren står i posisjon "av" før du kobler til strømkilden og/eller batteripakken, og før du tar opp eller bærer verktøyet.** Å bære elektriske verktøy med fingeren på bryteren eller å sette inn støpselet mens elektriske verktøy har bryteren på øker faren for ulykker.
- d. **Fjern eventuelt innstillingsverktøy eller skruverktøy før du slår på elektroverktøyet.** Et skruverktøy eller en nøkkel som fortsatt er festet til en roterende del av elektroverktøyet, kan føre til personskade.
- e. **Ikke strekk deg for langt. Ha godt fotfeste og stå støtt hele tiden.** Dette fører til at du har bedre kontroll over det elektriske verktøyet ved uventede situasjoner.
- f. **Bruk egnede klær. Ikke ha på deg løstsittende klær eller smykker. Hold hår, antrekk og hansker borte fra bevegelige deler.** Løstsittende klær, smykker og langt hår kan bli fanget opp av bevegelige deler.
- g. **Hvis det kan monteres støvavsug- og oppsamlingsinnretninger, må du forvise deg om at disse er tilkoblet og brukes på riktig måte.** Bruk av støvoppsamlere kan redusere støvrelaterte farer.
- h. **Ikke la erfaring med hyppig bruk av verktøy la deg bli likegyldig og ignorere verktøyet sine sikkerhetsregler. En uforsiktig handling kan føre til alvorlig personskade på brøkdelen av et sekund.**
4. **Bruk og behandling av elektroverktøy**
- a. **Ikke bruk makt på elektroverktøyet. Bruk det elektriske verktøyet som situasjonen krever.** Det riktige elektriske verktøyet vil gjøre jobben bedre og tryggere ved den hastigheten det ble konstruert for.
- b. **Ikke bruk elektroverktøyet hvis du ikke kan slå det på og av med bryteren.** Ethvert elektrisk verktøy som ikke kan kontrolleres med bryteren er farlig og må repareres.
- c. **Trekk støpselet ut av stikkkontakten og/eller koble fra batteripakken på elektroverktøyet før du utfører innstillinger, bytter tilbehør eller legger elektroverktøyet bort for lagring.** Slike preventive sikkerhetsforanstaltninger reduserer risikoen for å starte det elektriske verktøyet ved et uhell.
- d. **Elektroverktøy som ikke er i bruk, må oppbevares utilgjengelig for barn. Ikke la verktøyet bli brukt av personer som ikke er fortlørlige med det, eller som ikke kjenner disse instruksjonene.** Elektriske verktøy er farlige i hendene på utrenede brukere.
- e. **Sørg for vedlikehold av elektroverktøy og tilbehør. Undersøk om bevegelige deler er feiljustert eller blokkert, om deler er skadet, og om det er andre forhold som kan påvirke elektroverktøyet sine funksjoner. Dersom det er skadet, få verktøyet reparert før neste bruk.** Mange ulykker forårsakes av dårlig vedlikeholdte verktøy.
- f. **Hold skjæreverktøy skarpe og rene.** Godt vedlikeholdte skjæreverktøy med skarpe skjærekanten setter seg mindre sannsynlig fast og er lettere å kontrollere.
- g. **Bruk elektroverktøy, tilbehør, bits osv. i henhold til disse instruksjonene. Ta hensyn til arbeidsforholdene og arbeidet som skal utføres.** Bruk av det elektriske verktøyet for oppgaver som er forskjellige fra de som er tiltenkt kan føre til en farlig situasjon.
- h. **Hold håndtakene og gripeflatene tørre, rene og frie for olje og fett. Glatte håndtak og gripeflater forhindrer trygg håndtering og kontroll av verktøyet i uventede situasjoner.**
5. **Bruk og stell av batteriverktøy**
- a. **Ladningen skal bare skje med den laderen som produsenten har spesifisert.** En lader som passer for en type batteripakke kan føre til risiko for brann dersom den brukes på en annen batteripakke.
- b. **Bruk elektroverktøy bare sammen med spesifikt angitte batteripakker.** Bruk av andre batteripakker kan føre til risiko for personskade og brann.
- c. **Når batteripakken ikke er i bruk, må du oppbevare den atskilt fra andre metallgjenstander som binders, mynter, nøkler, spiker, skruer eller andre små metallgjenstander som kan opprette en forbindelse fra en terminal til en annen.** Kortslutning av batteripolene mot hverandre kan føre til brannskader eller brann.
- d. **Ved feilaktig bruk kan det komme væske ut av batteriet, unngå kontakt med den. Dersom du kommer i kontakt med den, skyll av med vann. Dersom du får væsken i øynene, søk legehjelp.** Væske som kommer ut av batteriet kan føre til irritasjon eller brannskader.
- e. **Batteripakke eller verktøy som er skadet eller modifisert skal ikke brukes.**

Batterier som er skadet eller modifisert kan ha uventet oppførsel og føre til brann, eksplosjon eller personskader.

- f. **Batteripakken skal ikke utsettes for brann eller for høy temperatur.** Eksponering for brann eller temperaturer over 130 °C (265 °F) kan føre til eksplosjon.
- g. **Følg alle ladeinstruksjoner og ikke lade batteripakken eller verktøyet utenfor temperaturområdet som angitt i bruksanvisningen.** Feil lading eller ved temperaturer utenfor det angitt området kan skade batteriet og øke faren for brann.

## 6. Service

- a. **Elektroverktøy skal repareres av kvalifisert personell og bare med originale reservedeler.** Dette vil sikre at verktøyets sikkerhet blir ivaretatt.
- b. **Skadede batteripakker skal aldri repareres.** Service på batteripakker skal kun utføres av produsenten eller autoriserte serviceverksteder.

## Ytterligere sikkerhetsadvarsler for elektroverktøy



**Advarsel!** Ekstra sikkerhetsregler for alle sager

### Skjæreprosedyrer



**Hold hendene unna skjæreområdet og bladet. Hold andre hånden på ekstrahåndtaket eller motorhuset.** Hvis begge hendene holder sagen, kan de ikke kuttet av bladet ved et uhell.

- ◆ **Ikke strekk hånden under arbeidsstykket.** Beskyttelsen kan ikke beskytte deg fra bladet under arbeidsstykket.
- ◆ **Juster kutttybden til tykkelsen på arbeidsstykket.** Mindre enn en hel tann på bladet skal være synlig under arbeidsstykket.
- ◆ **Hold aldri arbeidsstykket i hendene eller over benet ditt. Fest arbeidsstykket på et stabilt grunnlag.** Det er viktig at arbeidsstykket støttes ordentlig for å minimere risikoen for personskade, at bladet setter seg fast eller at du mister kontroll.
- ◆ **Hold bare i de isolerte grepene på elektroverktøyet når du utfører et arbeid hvor skjæreverktøyet kan komme i kontakt med skjulte ledninger eller sin egen kabel.** Kontakt med en strømførende ledning vil også føre til at eksponerte metalldele på elektroverktøyet blir strømførende, og brukeren kan få elektrisk støt.
- ◆ **Når du sager på langs, må du alltid bruke skjæreskinne eller parallellguide.** Dette forbedrer kuttets nøyaktighet og reduserer muligheten for at bladet setter seg fast.
- ◆ **Bruk alltid blad med korrekt størrelse og form (diamant kontra rund) på festehullet.** Blad som ikke passer til festemekanismen på sagen vil gå eksentrisk som fører til at du mister kontrollen.

- ◆ **Bruk aldri skadede eller uriktige bladpakninger eller bolt.** Bladpakningene og bolt er spesialtilpasset sagen, for optimal ytelse og driftssikkerhet.

## Ytterligere sikkerhetsinstruksjoner for alle sager

### Årsaker til tilbakeslag og relaterte advarsler

- ◆ tilbakeslag er en plutselig reaksjon på et fastklemt eller feiljustert sagblad og forårsaker at en ukontrollert sag reiser seg opp og ut av arbeidsstykket mot operatøren;
- ◆ når bladet er festklemt ved at snittet lukker seg, blir bladet sittende fast og motorens reaksjon fører enheten raskt tilbake mot operatøren;
- ◆ dersom bladet blir vridd eller feilinnrettet i kuttet kan tenene bak på bladet grave seg inn i treverkets overflate og forårsake at bladet kommer ut av snittet og hopper tilbake mot operatøren.

Tilbakeslag er et resultat av misbruk av sagen og/eller feilbruk i prosedyrer eller forhold. Dette kan unngås ved å ta skikkelige forholdsregler gitt under.

- ◆ **Hold et fast grep med begge hender på sagen og ha armene i en stilling som kan motstå tilbakeslagskraften. Posisjoner kroppen til den ene eller andre siden av bladet, ikke på linje med bladet.** Tilbakeslag kan føre til at sagen hopper bakover, men tilbakeslagskraften kan kontrolleres av operatøren dersom skikkelige forholdsregler treffes.
- ◆ **Når bladet setter seg fast eller når du avbryter saging av noen grunn, slipp bryteren og hold sagen stille i materialet inntil bladet stopper helt. Forsøk aldri å fjerne sagen fra arbeidsstykket eller å dra sagen bakover mens bladet er i bevegelse, tilbakeslag kan skje.** Undersøk og sørg for å fjerne årsakene til fastklemming av bladet.
- ◆ **Når du starter en sag på nytt i arbeidsstykket, plasser sagbladet sentrert i snittet og sjekk at sagtennene ikke sitter i materialet.** Dersom sagbladet kjører seg fast, kan det "vandre" opp eller slå tilbake opp fra arbeidet når sagen startes på nytt.
- ◆ **Støtt opp store arbeidsstykker for å redusere risikoen for tilbakeslag og at bladet setter seg fast.** Store arbeidsstykker har en tendens til å henge ned under sin egen vekt. Støtter må plasseres under arbeidsstykket på begge sider, nær skjærelinjen og nær kanten av arbeidsstykket.
- ◆ **Ikke bruk sløve eller skadede blader.** Uskarpe eller feilstilte blad gir et smalt sagspor som gir for høy friksjon, fastkjøring av bladet eller tilbakeslag.
- ◆ **Spaker for stilling av bladdybde og skråstilling skal være tilskrudd og festet før du sager.** Dersom bladets stilling endres ved saging, kan det føre til fastkjøring eller tilbakeslag.

- ◆ **Vær ekstra varsom når du sager inn i eksisterende vegger eller andre steder der du ikke ser.** Det utstikkende bladet kan kutte objekter som kan forårsake tilbakeslag.

## Neдре beskyttelse

- ◆ **Kontroller at nedre beskyttelsen lukker riktig før hvert bruk. Ikke bruk sagen dersom den nedre beskyttelsen ikke beveger seg fritt og lukker seg øyeblikkelig. Den nedre beskyttelsen må aldri klemmes eller festes i åpen stilling.** Dersom sagen slippes ved en feiltagelse kan den nedre beskyttelsen bøyes. Løft den nedre beskyttelsen med det innskyvbare håndtaket og påse at den beveger seg fritt og ikke rører bladet eller noen annen del, i alle kuttvinkler og dybder.
- ◆ **Kontroller funksjon av fjæren til nedre beskyttelsen. Dersom beskyttelsen og fjæren ikke fungerer riktig må de på service før bruk.** Nedre beskyttelse kan fungere tregt på grunn av skadede deler, gummibelegg eller oppbygging av avfall.
- ◆ **Den nedre beskyttelsen skal trekkes tilbake manuelt bare ved spesielle kutt som “dykkekutt” og “sammen-setningskutt”.** Løft nedre beskyttelsen med det innskyvbare håndtaket, og så fort bladet går inn i materialet må den nedre beskyttelsen slippes. For all annen saging skal den nedre beskyttelsen fungere automatisk.
- ◆ **Påse alltid at den nedre beskyttelsen dekker bladet før du setter fra deg sagen på benken eller gulvet.** Et ubeskyttet, frirullende blad får sagen til å bevege seg bakover, og den kutter alt som måtte være i veien. Vær oppmerksom på tiden det tar bladet å stoppe etter at bryteren slippes.

## Andre personers sikkerhet

La aldri barn eller personer med reduserte fysiske, sensoriske eller mentale ferdigheter eller med manglende erfaring eller kunnskap, eller personer som ikke kjenner bruksanvisningen bruke denne maskinen. Lokale bestemmelser kan legge begrensninger på brukerens alder.

## Restrisikoer

Når verktøyet brukes, kan det oppstå ytterligere risikoer som kanskje ikke er beskrevet i de medfølgende sikkerhetsadvarslene. Disse risikoene kan bli forårsaket av feil bruk, langvarig bruk osv. Selv om de relevante sikkerhetsbestemmelsene blir fulgt, og sikkerhetstiltakene blir gjennomført, kan visse gjenværende risikoer ikke unngås. Disse inkluderer:

- ◆ Personskader som forårsakes av berøring av en roterende/bevegelig del.
- ◆ Personskader som forårsakes av at en del, et blad eller tilbehør endres.

- ◆ Personskader som forårsakes av langvarig bruk av et verktøy. Når du bruker et verktøy i lange perioder, må du sørge for å ta regelmessige pauser.
- ◆ Hørselskader.
- ◆ Helsefarer som skyldes innånding av støv som dannes når du bruker verktøyet (for eksempel under arbeid med tre, spesielt eik, bøk og MDF.)

## Vibrasjon

Vibrasjonsemissionsverdien som er angitt under tekniske data og samsvarserklæring, er blitt målt i henhold til en standard testmetode som er angitt i EN62841, og kan brukes til å sammenligne et verktøy med et annet. Den oppgitte vibrasjonsemissionsverdien kan også brukes til en foreløpig vurdering av eksponering.

**Advarsel!** Vibrasjonsemissionsverdien under faktisk bruk av elektroverktøyet kan avvike fra den oppgitte verdien avhengig av måten verktøyet blir brukt på. Vibrasjonsnivået kan øke over nivået som er oppgitt.

Når det vurderes vibrasjonseksponering for å avgjøre hvilke sikkerhetstiltak som kreves ifølge 2002/44/EF, for å beskytte personer som bruker elektroverktøy regelmessig til arbeidsformål, skal det, når vibrasjonseksponeringen anslås, tas hensyn til de faktiske bruksforholdene og måten verktøyet blir brukt på. Dette inkluderer å ta hensyn til alle deler av brukssyklusen, for eksempel når verktøyet er avslått, når det går på tomgang og når utløseren er trykket inn.

## Etiketter på verktøyet

Følgende symboler vises på verktøyet sammen med datokoden:



**Advarsel!** Brukeren må lese håndboken for å redusere risikoen for personskade.

## Ytterligere sikkerhetsinstruksjoner for batterier og ladere (dersom de medfølger)

### Batterier (dersom de medfølger)

- ◆ Forsøk aldri å åpne av noen årsak.
- ◆ Ikke utsett batteriet for vann.
- ◆ Ikke oppbevar det på steder hvor temperaturen kan komme over 40 °C.
- ◆ Skal bare lades ved omgivelsestemperaturer mellom 10 °C og 40 °C.
- ◆ Bruk bare laderen som følger med apparatet.
- ◆ Følg instruksjonene i avsnittet «Miljøvern» når du skal kaste batterier.

### Ladere (dersom de medfølger)

- ◆ Bruk bare BLACK+DECKER-laderen til å lade batteriet i apparatet som laderen ble levert sammen med. Andre batterier kan sprekke og føre til personskade og materiell skade.

- ◆ Prøv aldri å lade ikke-oppladbare batterier.
- ◆ Skift ut defekte ledninger umiddelbart.
- ◆ Ikke utsett laderen for vann.
- ◆ Ikke åpne laderen.
- ◆ Ikke stikk gjenstander eller fingre inn i laderen.



Laderen er bare beregnet for innendørs bruk.



Les denne håndboken før bruk.

## Elektrisk sikkerhet



Denne laderen er dobbeltisolert. Jording er derfor ikke nødvendig. Kontroller alltid at nettspenningen er i overensstemmelse med spenningen på typeskiltet. Ikke skift ut laderen med et vanlig nettstøpsel.

- ◆ Hvis strømledningen blir skadet, må den byttes av produsenten eller et autorisert BLACK+DECKER-service-senter for å unngå fare.

## Funksjoner

Dette verktøyet har noen av eller alle følgende egenskaper.

1. Hovedhåndtak
2. Låseknapp
3. På/av-avtrekker
4. Batteri (dersom de medfølger)
5. Sko
6. Dybdejusteringsknott
7. Hjelpéhåndtak
8. Øvre beskyttelse
9. Skråvinkel justeringsskala
10. Blad
11. Nedre bladbeskyttelse
12. Dybdejusteringsskala
13. Låseverktøy
14. Støvsugerport
15. Skråvinkel justeringsknapp
16. Spindellås

## Ladeprosedyre (dersom medfølger)

BLACK+DECKER-ladere er designet for å lade

BLACK+DECKER-batteripakker.

- ◆ Plugg inn laderen i en passende stikkontakt før du setter inn batteripakken.
- ◆ Sett batteripakken inn i laderen.
- ◆ Det grønne LED-lyset blinker for å varsle om at batteriet lades.
- ◆ Fullført lading vises ved at den grønne LED-en er på kontinuerlig. Pakken er da fullt oppladet og kan brukes, eller den kan bli stående i laderen.

**Merk:** Lad opp utladede batterier så fort som mulig etter bruk, ellers vil batteriets levetid forringes. For lengst batterilevetid, ikke lad ut batteriet helt.

Det anbefales at du lader batteriet etter hver bruk.

## La batteriet stå i laderen (hvis de medfølger)

Laderen og batteripakken kan forbli tilkoblet med lysende LED-lys i ubegrenset tid. Laderen holder batteripakken klar og fulladet.

## Viktige lademerknader (dersom de medfølger)

- ◆ Lang levetid og best ytelse oppnås dersom batteripakken lades med lufttemperatur mellom 65°F og 75°F (18°-24°C). IKKE lade batteripakken med lufttemperatur under +40°F (+4,5°C) eller over +105°F (+40,5°C). Dette er viktig og vil forhindre alvorlig skade på batteripakken.
  - ◆ laderen og batteripakken kan være varme å ta på under lading. Dette er normalt og er ikke et tegn på et problem. For å muliggjøre bedre kjøling av batteripakken etter bruk, unngå å oppbevare laderen i varme omgivelser slik som et metallskur eller en uisolert trailer.
  - ◆ Hvis batteripakken ikke lader skikkelig:
    - ◆ Kontroller strømmen i kontakten ved å sette inn en lampe eller et annet apparat.
    - ◆ Kontroller at stikkkontakten er koblet til en lysbryter som slår av strømmen når du slår av lyset.
    - ◆ Flytt laderen og batteripakken til et sted hvor omgivelsestemperaturen er omtrent 65°F - 75°F (18°-24°C).
    - ◆ Hvis ladeproblemene vedvarer, ta verktøyet, batteripakken og laderen til ditt lokale servicesenter.
  - ◆ Denne batteripakken med lang levetid må lades opp når den slutter å gi nok strøm til jobber som ble utført lett tidligere. I så fall, IKKE fortsatt å bruke verktøyet. Følg ladeprosedyren. Du kan også lade opp en halvutladet pakke når som helst uten at det har noen effekt på batteripakken.
  - ◆ Fremmedlegemer som kan lede strøm, inkludert, men ikke begrenset til stålull, aluminiumsfolie eller annen ansamling av metalliske partikler, må holdes unna åpningene i laderen. Kople alltid laderen fra strømtilførselen når det ikke er en batteripakke i hulrommet. Kople fra laderen før rengjøring.
  - ◆ IKKE sprut på eller senke ned i vann eller andre væsker.
- Advarsel!** Ikke la væske komme inn i laderen. Forsøk aldri å åpne batteripakken av noen årsak. Dersom plasthuset på batteripakken knekker eller får sprekker, send den til et servicesenter for avhending.

## Dårlig batteri (hvis det medfølger)

Hvis du ser blinkemønsteret for dårlig batteri, skal du ikke fortsette å lade dette batteriet. Returner det til et servicesenter eller et oppsamlingssted for resirkulering.

**Varm/kald pakkeforsinkelse (hvis den medfølger)**

Når laderen registrerer et batteri som er for varmt eller kaldt, vil det automatisk startes en varm-/kald-pakke forsinkelse, som utsetter ladingen til batteripakken har nådd en passende temperatur. Laderen vil deretter automatisk skifte til lademodus for pakken. Denne funksjonen sikrer maksimal levetid på batteripakken. En kald batteripakke vil lade med lavere hastighet enn en varm batteripakke. Batteripakken vil lade langsommere gjennom hele ladesyklusen, og vil ikke gå tilbake til maksimal ladehastighet selv om batteriet blir varmt.

**Sette inn og ta ut batteripakke på verktøyet (hvis det medfølger)**

**Advarsel!** Før du utfører noen av fremgangsmåtene nedenfor, må du kontrollere at verktøyet er slått av, kontakten plagget ut og sagbladet har stoppet.

**Sette inn batteripakken (figur A)**

- ◆ Sett batteripakken inn i verktøyet som vist på figur A. Forsikre deg om at batteripakken sitter helt inne og er låst i posisjon.
- ◆ Pass på at batteripakken er satt godt inn og er låst på plass.

**Fjerne batteripakken (figur B)**

- ◆ Trykk på batteriutløserknappen som vist på figur B og dra batteripakken ut av verktøyet.

**Støtte store paneler/sikre arbeidsstykket (figur C)**

- ◆ Støtt opp store plater for å gjøre risikoen for klemming av bladet og tilbakeslag minst mulig. Store arbeidsstykker har en tendens til å henge ned under sin egen vekt som vist på figur C.
- ◆ Støtter må plasseres under arbeidsstykket på begge sider, nær skjærelinjen og nær kanten av arbeidsstykket.
- ◆ Hold aldri arbeidsstykket som skal kuttes i hendene eller over benet ditt, figur D.
- ◆ Det er viktig at arbeidsstykket støttes ordentlig på en plattform som vist på figur E, for å minimere risikoen for personskade, at bladet setter seg fast eller at du mister kontroll.

**Kuttedybdejustering - (figur F - G)**

- ◆ Skjæredybden skal stilles inn i samsvar med tykkelsen på arbeidsstykket.
- ◆ Skru opp låseknotten (6) for å løsne sagfoten (5) som vist på figur F.
- ◆ Flytt sagfoten til ønsket posisjon. Du kan lese av den tilsvarende skjæredybden på skalaen (12).
- ◆ Still inn dybdejusteringen til sagen slik at en tann (10) av bladet stikker ned under arbeidsstykket (16) som vist på figur G.
- ◆ Stram låseknotten for å feste sagfoten.

**Skråvinkel justering - (figur K)**

Dette verktøyet kan stilles inn med vinkler mellom 0° og 50°.

- ◆ Skru opp skråvinkel justeringsknotten (14) for å løsne sagfoten (5).
- ◆ Flytt sagfoten (5) til ønsket posisjon. Du kan lese av den tilsvarende vinkelen på skalaen (9).
- ◆ Stram skråvinkel justeringsknotten (15) for å feste sagfoten.
- ◆ Bekreft nøyaktigheten av innstillingen ved å kontrollere vinkel av et prøvecutt på en stykke avkapp.

**Sagfotjustering for 90° kutt**

Sagfoten (5) har blitt stil inn av fabrikk for å sikre at bladet er vinkelrett med sagfoten ved 0° skråvinkel.

**DERSON OMJUSTERING ER NØDVENDIG:**

- ◆ Juster sagen til 0° skråvinkel.
- ◆ Trekk tilbake bladbeskyttelsen (11).
- ◆ Løsne skråvinkel justeringsknotten (15). Plasser en vinkel mot bladet (10) og sagfoten (5) for å stille inn på 90°.
- ◆ Løsne låsemutteren (16) og beveg justeringskruen (19) (se figur H) slik at sagfoten vil stoppe ved korrekt vinkel. Fest låsemutteren mot sagfoten mens du holder justeringsskruen i posisjon.
- ◆ Bekreft nøyaktigheten av innstillingen ved å kontrollere retthet av et prøvecutt på en stykke metall (avkapp).

**Feste og fjerne bladet (figur I - J)**

- ◆ Trekk tilbake den nedre beskyttelsen og monter bladet (10) og festeskiven (20) som vist på figur I.
- ◆ Trykk ned spindelåsen (16) mens du dreier bladbolten (21) med låseverktøyet (13) inntil bladlåsen går i lås og bladet slutter å rotere.

**Merk:** Bolten er venstregjenget. For å løsne, vri med klokken. For å feste vri mot klokken.

**Merk:** Du må aldri aktivere bladlåsen mens sagen er i gang eller på noen måte prøve å stoppe verktøyet. Slå aldri verktøyet på mens bladlåsen er aktivert. Dette kan gi alvorlige skader på sagen.

**Nedre bladbeskyttelse**

**Advarsel!** Fare for kuttskader Nedre bladbeskyttelse er en sikkerhetsfunksjon som reduserer faren for alvorlige personskader. Bruk aldri sagen dersom nedre bladbeskyttelse mangler, er skadet eller ikke fungerer ordentlig. Ikke stol på at nedre bladbeskyttelse beskytter deg under alle forhold. Din sikkerhet avhenger av at alle advarsler og forsiktighetsregler følges, samt av korrekt bruk av sagen. Kontroller at nedre bladbeskyttelse lukker ordentlig før bruk, som beskrevet i Ekstra sikkerhetsregler for sirlagsager. Dersom nedre bladbeskyttelse mangler eller ikke fungerer ordentlig, få service på sagen før bruk.

For å sikre at produktet er trygt og pålitelig, bør reparasjoner, vedlikehold og justeringer foretas av et autorisert servicesenter eller en annen kvalifisert serviceorganisasjon, og det skal alltid brukes identiske reservedeler.

**Advarsel!** For å redusere faren for øyeskader, bruk alltid øyebeskyttelse. Fremmedlegemer i arbeidsstykket som ståltråd eller spikere kan føre til at sagtenner sprekker eller brekker. Bruk kun sagen når korrekt sagbladbeskyttelse er satt på. Monter bladet godt med korrekt rotasjonsretning før bruk, og bruk alltid rene, skarpe blad.

**Advarsel!** For å redusere faren for personskader, er det viktig å støtte opp arbeidet skikkelig og holde sagen godt fast for å forhindre tap av kontroll. Figur E illustrerer typisk håndstøtte.

## Bruk

**Advarsel!** For å redusere faren for alvorlig personskade, skal du lese, forstå og følge alle sikkerhetsanvisninger og instruksjoner før bruk av verktøyet.

## Valg av blad

Din sirkelsag er designet for bruk med 140 x 2 mm diameter blad som har et hull på 12,7 mm. Blader må være godkjent for 7000 OPM drift (eller høyere). IKKE BRUK slipeskiver.

## Generelle kutt

**Advarsel!** For å redusere faren for personskader skal du fjerne batteriet og følge alle instruksjoner som omhandler montering, justering og oppsett.

Forsikre deg om at den nedre beskyttelsen virker. Velg et blad tilpasset materialet som skal skjæres.

- ◆ Mål og marker arbeidsstykket for kutting.
- ◆ Støtt og sikre arbeidsstykkene skikkelig (se sikkerhetsregler og instruksjoner).
- ◆ Bruk skikkelig og riktig verneutstyr (se sikkerhetsregler).
- ◆ Sikre og oppretthold arbeidsområdet (se sikkerhetsregler).
- ◆ Når batteriet er satt inn skal du forsikre deg om at bryteren slår sagen på og av.

## Bryter

Verktøyet er utstyrt med en låsebryterfunksjon for å hindre utilsikket bruk.

- ◆ For å bruke verktøyet, trykk inn låsebryteren (2) fra en av sidene av sagen og hold den inne samtidig som du trykker på avtrekkeren (3).
- ◆ Etter at du har trykket på avtrekkeren og verktøyet går, skal du slippe låseknappen.
- ◆ Motoren fortsetter å gå så lenge avtrekkeren er trykt inn.
- ◆ For å slå av verktøyet, slipp avtrekksbryteren.

**Merk:** Dette verktøyet har ingen mulighet for å låse avtrekkerbryteren i PÅ posisjon, og skal aldri låses i PÅ ved noen andre metoder.

## Automatisk elektrisk bremse

Din sag er utstyrt med elektrisk bladbremse som stopper sagbladet innen 1-2 sekunder etter at avtrekkeren slippes. Dette skjer automatisk og trenger ingen justering.

## Saging

**Advarsel!** For å redusere faren for alvorlig personskade, skal du alltid holde verktøyet med begge hender.

- ◆ La bladet gå fritt i noen få sekunder før du starter sagingen.
- ◆ Bruk bare et lett press på verktøyet når du sager.
- ◆ Arbeid med sagfoten trykt mot arbeidsstykket.

## Råd for optimal bruk

- ◆ Da det er umulig å unngå noe oppflising langs skjærelinjen på oversiden av arbeidsstykket, sager du på den siden der oppflisingen kan aksepteres.
- ◆ Dersom oppflisingen skal være minimal, for eksempel ved saging av laminater, fester du et stykke finer oppå arbeidsstykket.

## Stikkskjæring (figur K)

**Advarsel!** Lås aldri bladbeskyttelsen i løftet posisjon. Beveg aldri sagen bakover ved stikkskjæring. Dette kan føre til at enheten løfter seg fra arbeidsflaten og kan føre til personskader. En stikkskjæring (lomme) lages når kanten på materialet ikke trykker den lavere beskyttelsen slik at den åpner seg, men bunnkanten av det roterende bladet kutter inn i midten av materialet.

- ◆ Tilpass sagfoten (5) slik at bladet kutter til ønsket dybde.
- ◆ Vipp sagen forover og hvil fronten av sagfoten på materialet som skal sages.
- ◆ Bruk løftespaken på nedre beskyttelse. trekk tilbake nedre bladbeskyttelse til en løftet posisjon. Senk bakkant av sagfoten til bladdennene nesten berører saglinjen.
- ◆ Løsne bladbeskyttelsen (beskyttelsens kontakt med arbeidsstykket vil holde den slik at den åpnes når du starter sagingen).
- ◆ Fjern hånden fra beskyttelseshåndtaket og grip fast i det andre håndtaket (7) som vist på figur N. Posisjoner kroppen og armen slik at du unngår tilbakeslag hvis det skulle oppstå.
- ◆ Pass på at bladet ikke er i kontakt med flaten som sages før du starter sagingen.
- ◆ Start motoren og la motoren komme til maksimal hastighet, senk så sagen gradvis til sagfoten hviler flatt på materialet som skal kuttes. Før sagen langs sagelinjen til kuttingen er fullført som vist på figur K.
- ◆ Slipp avtrekkerbryteren og la bladet stoppe helt før du trekker bladet ut av materialet.
- ◆ Gjenta som over for hvert nytt kutt.



## Feilsøking

Problem	Mulig årsak	Mulig løsning
Enheten starter ikke.	Batteripakken er ikke satt inn riktig.	Kontroller innstillingen av batteripakken.
	Batteripakken er ikke ladet.	Kontroller kravene til ladning av batteripakken.
Motoren stopper under klipping.	Batteripakken er ikke satt inn i laderen.	Sett batteripakken inn i laderen til LED-lyset lyser.
	Laderen er ikke satt i stikkkontakten.	Sett laderen i en stikkontakt som virker. Se "Viktige merknader om lading" for mer informasjon.
	Omgivelsestemperaturen er for varm eller kald.	Flytt laderen og batteriet til et sted med lufttemperatur over 4,5°C (40°F) eller under +40,5°C (105°F).
Enheten stopper brått.	Batteripakken har nådd sin maksimale temperaturgrense.	La batteripakken kjøle seg ned.
	Ikke oppladet. (For å få lengst mulig levetid på batteriet, er batteripakken designet for å slå seg av straks den er utladet).	Sett i laderen og la den lade seg opp.

## Tilbehør

Verktøytets ytelse avhenger av hva slags tilbehør som brukes. Tilbehør fra BLACK+DECKER er produsert etter høye kvalitetsstandarder og er konstruert for å bedre verktøytets ytelse. Hvis du bruker dette tilbehøret, får du mest mulig ut av verktøyet ditt.

## Vedlikehold

Verktøyet er konstruert for å være i drift over lengre tid med et minimum av vedlikehold. For at den skal fungere tilfredsstillende over tid, er det viktig å sørge for riktig stell av verktøyet og regelmessig renhold.

**Advarsel!** Før vedlikehold må verktøyet slås av og støpselet trekkes ut.

- ◆ Rengjør ventilasjonsåpningene i verktøyet jevnlig med en myk børste eller tørr klut.
- ◆ Rengjør motorhuset regelmessig med en fuktig klut. Ikke bruk slipende eller løsemiddelbaserte rengjøringsmidler.

## Miljøvern



Separat avfallshåndtering. Produkter og batterier merket med dette symbolet skal ikke kastes i vanlig husholdningsavfall

Produkter og batterier inneholder materialer som kan gjenbrukes eller gjenvinnes for å redusere behovet for nye råmaterialer.

Vennligst lever elektrisk utstyr og batterier til gjenbruk i henhold til lokale regler. Mer informasjon finner du på [www.2helpU.com](http://www.2helpU.com)

## Tekniske data

BDCCS18 H1		
Inngangsspenning	$V_{dc}$	18
Ubelastet hastighet	$min^{-1}$	3700 OPM
Maks. skjæredybde	mm	43
Maks. kuttedybde ved 45° skråvinkel	mm	35
Bladdiameter	mm	140
Bladåpning	mm	12,7
Bredde bladspiss	mm	2,0
Vekt	kg	2,08

Lader		905902**/ N4940**	905998**/ 906349**
Inngangsspenning	$V_{AC}$	100-240	220-240
Utgangsspenning	$V_{DC}$	8-20	8-20
Strøm	mA	400	1000
Omtrent ladetid	Timer	3-11	1.5-5

Batteri (hvor medfølgende)		BL2018*	BL1518*	BL4018
Voltage	$V_{DC}$	18	18	18
Capacity	Ah	2.0	1.5	4.0
Type		Li-Ion	Li-Ion	Li-Ion

$L_{pa}$ (lydtrykk) 76,0 dB(A), usikkerhet (K) 3 dB(A)
$L_{wa}$ (lydeffekt) 87,0 dB(A), usikkerhet (K) 3 dB(A)
Totale vibrasjonsverdier (vektorsum fra tre retninger) bestemt i samsvar med EN 62841:
Skjære i tre ( $a_{a,w}$ ) 1,5 m/s <sup>2</sup> , usikkerhet (K) 1,5 m/s <sup>2</sup>

EU-samsvarserklæring  
MASKINERIDIREKTIV

## BDCCS18 - Sirkelsag

Black & Decker erklærer at disse produktene, som er beskrevet under "Tekniske data", er i samsvar med: EN62841-1:2015, EN62841-2-5:2014.

Disse produktene er også i samsvar med direktiv 2006/42/EC, 2014/30/EU og 2011/65/EU. Hvis du ønsker mer informasjon, kan du kontakte Black & Decker på adressen under eller se baksiden av bruksanvisningen.

Undertegnede er ansvarlig for utarbeidelsen av den tekniske dokumentasjonen og gir denne erklæringen på vegne av Black & Decker.



A. P. Smith  
Technical Director  
Black & Decker Europe, 270 Bath Road, Slough,  
Berkshire, SL1 4DX  
Storbritannia  
30.04.2019

## Garanti

Black & Decker er trygg på kvaliteten av produktene sine og tilbyr en 24 måneders garanti fra kjøpsdato. Denne garantierklæringen kommer i tillegg til dine lovbestemte rettigheter og er ikke i konflikt med disse. Garantien er gyldig innen områdene tilhørende medlemslandene i den Europeiske Union (EU) og det Europeiske Frihandelsområdet (EFTA).

For å ta garantien i bruk må kravet være i samsvar med kjøpsbetingelsene fra Black&Decker og du må vise kjøpskvittering til forhandleren eller til et autorisert serviceverksted. Betingelsene for Black&Deckers 2 års garanti og adressen til din nærmeste autoriserte serviceverksted kan du finne på internett under [www.2helpU.com](http://www.2helpU.com), eller ved å kontakte ditt lokale Black & Decker kontor, adressen er angitt i denne bruksanvisningen.

Besøk våre nettsider på [www.blackanddecker.no](http://www.blackanddecker.no) for å registrere ditt nye Black & Decker-produkt og for å få informasjon om nye produkter og spesialtilbud.

## Tilsluttet brug

Din BLACK+DECKER BDCCS18-rundsav er designet til at save i træ og træprodukter. Værktøjet er kun beregnet til privat brug.

## Sikkerhedsinstruktioner

### Generelle sikkerhedsadvarsler vedrørende elværktøj



**Advarsel! Læs alle sikkerhedsadvarsler og alle instruktioner, illustrationer og specifikationer, der følger med dette elværktøj.** Hvis efterfølgende advarsler og instruktioner ikke følges, er der risiko for elektrisk stød, brand og alvorlige kvæstelser.

### Gem alle advarsler og instruktioner til fremtidig reference.

Begrebet "elværktøj", der benyttes i nedenstående advarsler, henviser til netdrevet elværktøj (med netledning) eller batteridrevet elværktøj (uden netledning).

### 1. Sikkerhed i arbejdsområdet

- Hold arbejdsområdet rent og ordentligt oplyst.** Rodede eller mørke områder giver anledning til ulykker.
- Brug ikke elværktøj i eksplosive omgivelser, f.eks. hvor der er brændbare væsker, gasser eller støv.** Elværktøj danner gnister, der kan antænde støv eller dampe.
- Hold børn og andre personer i nærheden på afstand, når der arbejdes med elværktøj.** Distractioner kan medføre, at du mister kontrollen.

### 2. Elektricitet og sikkerhed

- Elværktøjets stik skal passe til kontakten. Stikket må aldrig modificeres på nogen måde. Undlad at bruge adapterstik sammen med (jordforbundet) elektrisk værktøj.** Umodificerede stik og dertil passende stikkontakter reducerer risikoen for elektrisk stød.
- Undgå kropskontakt med jordforbundne overflader som f.eks. rør, radiatorer, komfurer og køleskabe.** Der er øget risiko for elektrisk stød, hvis din krop er jordforbundet.
- Udsæt ikke elværktøj for regn, og brug det ikke, hvor omgivelserne er våde.** Hvis der trænger vand ind i et elektrisk værktøj, øges risikoen for elektrisk stød.
- Pas på, at ledningen ikke beskadiges. Brug aldrig ledningen til at bære, trække værktøjet eller trække det ud af stikkontakten. Hold ledningen borte fra varme, olie, skarpe kanter og bevægelige dele.** Beskadigede eller sammenfiltrede ledninger øger risikoen for elektrisk stød.
- Hvis elværktøj benyttes i det fri, skal der benyttes en forlængerledning, som er godkendt til udendørs brug.** Brug af en ledning, der er egnet til udendørs brug, reducerer risikoen for elektrisk stød.
- Brug en strømkilde med fejlstrømsrelæ, hvis det er nødvendigt at anvende elværktøj på fugtige steder.** Ved at benytte en fejlstrømsafbryder reduceres risikoen for elektrisk stød.

### 3. Personssikkerhed

- Vær opmærksom, hold øje med, hvad du laver og brug elværktøjet fornuftigt. Betjen ikke værktøjet, hvis du er træt, påvirket af narkotika, alkohol eller medicin.** Et øjeblik uopmærksomhed under anvendelse af et elektrisk værktøj kan forårsage alvorlige kvæstelser.
- Brug personligt beskyttelsesudstyr. Bær altid beskyttelsesbriller.** Det er muligt at reducere risikoen for kvæstelser ved alt efter omstændighederne at anvende det passende sikkerhedsudstyr såsom støvmaske, skridsikre sikkerhedssko, sikkerhedshjelm eller høreværn.
- Træf forholdsregler, så utilsigtet start ikke er mulig.**

- Kontrollér, at afbryderkontakten står på slukket, inden værktøjet tilsluttes strømkilden og/eller batteriet, samles op eller bæres.** Når elektrisk værktøj bæres med fingeren på kontakten eller tilsluttes, når kontakten er tændt, giver det anledning til ulykker.
- d. **Fjern indstillingsnøgle eller skruenøgle, inden elværktøjet startes.** En skruenøgle eller anden nøgle, der bliver siddende på en roterende del af elektrisk værktøj, kan forårsage kvæstelser.
- e. **Stræk dig ikke for langt. Hold hele tiden en god fodstilling og balance.** Dette udgør at du har bedre kontrol over det elektriske værktøj, når uventede situationer opstår.
- f. **Brug egnet arbejdstøj. Bær ikke løst tøj eller smykker. Hold dit hår, tøj og handsker væk fra bevægelige dele.** Løstsiddende tøj, smykker eller langt hår kan blive fanget i bevægelige dele.
- g. **Hvis der kan monteres støvudsugnings- og opsamlingsudstyr, skal dette tilsluttes og benyttes korrekt.** Anvendelse af støvsamlingsudstyr kan begrænse faren forårsaget af støv.
- h. **Lad ikke kendskab fra hyppig brug af værktøjer gøre dig uforsigtig og få dig til at ignorere principperne for værktøjsikkerhed.** En uforsigtig handling kan forårsage alvorlig personskade på en brøkdæl af et sekund.
4. **Brug og vedligeholdelse af elværktøj**
- a. **Overbelast ikke elværktøjet. Brug det elværktøj, der er bedst egnet til det arbejde, der skal udføres.** Det korrekte elværktøj klarer opgaven bedre og mere sikkert med den effekt, som det er konstrueret til.
- b. **Brug ikke elværktøjet, hvis afbryderkontakten er defekt.** Alt elektrisk værktøj, der ikke kan kontrolleres med kontakten, er farligt og skal repareres.
- c. **Træk stikket ud af stikkontakten og/eller batteriet inden indstilling, tilbehørsudskiftning eller opbevaring af elværktøjet.** Sådanne forebyggende sikkerhedsforanstaltninger mindsker risikoen for, at værktøjet startes utilsigtet.
- d. **Opbevar ubenyttet elværktøj uden for børns rækkevidde. Lad aldrig personer, der ikke er fortrolige med elværktøjet, eller som ikke har læst denne vejledning, benytte maskinen.** El-værktøj er farligt i hænderne på personer, som ikke er instrueret i brugen deraf.
- e. **Elværktøj og tilbehør skal vedligeholdes. Kontroller, om bevægelige dele er skæve og ikke sidder fast, og om delene er brækket eller beskadiget, så elværktøjets funktion påvirkes.** Hvis det elektriske værktøj er beskadiget, skal det repareres før brug. Mange ulykker er forårsaget af dårligt vedligeholdt værktøj.
- f. **Hold skæreværktøj skarpt og rent.** Ordentligt vedligeholdt skæreværktøj med skarpe skærekanter har mindre tilbøjelighed til at binde og er lettere at styre.
- g. **Brug elværktøjet, tilbehøret, værktøjsindsatser osv. i overensstemmelse med disse instruktioner under hensyntagen til arbejdsforholdene og arbejdet, der skal udføres med værktøjet.** Brug af elektrisk værktøj til andre opgaver end dem, det er beregnet til, kan resultere i en farlig situation.
- h. **Hold håndtagene og håndtagsfladerne tørre, rene og fri for olie og fedt. Glatte håndtag og gribeblader giver ikke en sikker håndtering og kontrol af værktøjet i uventede situationer.**
5. **Brug og pleje af batteriværktøj**
- a. **Genoplad kun med den lader, som producenten har angivet.** En oplader, der passer til en type batteripakke, kan udgøre en risiko for brand, når den bruges til en anden type.
- b. **Elværktøjer må kun bruges med batteripakker, der er beregnet hertil.** Brugen af andre batteripakker kan medføre personskade og brand.
- c. **Når batteripakken ikke er i brug, skal den holdes på afstand af andre metalgenstande, f.eks. papirclips, mønter, nøgler, søm, skruer og andre små metalgenstande, som kan skabe forbindelse mellem de to poler.** Kortslutning af batteriet kan forårsage forbrændinger eller brand.
- d. **Under grove forhold kan væske sive ud fra batteriet. Undgå kontakt. Hvis der opstår kontakt ved et uheld, skyl med vand. Hvis væske kommer ind i øjnene, søg omgående lægehjælp.** Væske, der siver ud fra batteriet, kan fremkalde irriterationer eller forbrændinger.
- e. **Brug ikke en batteripakke eller et værktøj, der er beskadiget eller modificeret.** Beskadigede eller modificerede batterier kan udvise uforudsigelig adfærd, hvilket kan resultere i brand, eksplosion eller risiko for personskade.
- f. **Udsæt ikke en batteripakke eller et værktøj for ild eller for høj temperatur.** Udsættelse for ild eller temperatur på over 265° F kan forårsage eksplosion.
- g. **Følg alle opladningsanvisninger, og undlad at oplade batteripakken eller værktøjet uden for det temperaturinterval, der er specificeret i instruktionerne.** En forkert opladning eller opladning uden for det specificerede interval kan beskadige batteriet og øge risikoen for brand.
6. **Service**
- a. **Lad kun kvalificerede fagfolk reparere elværktøjet, og benyt kun originale reservedele.** Derved sikres det, at værktøjets driftssikkerhed opretholdes.

- b. **Der må aldrig foretages service på beskadigede batteripakker.** Service af batteripakker bør kun udføres af producenten eller autoriserede serviceudbydere.

### Yderligere sikkerhedsadvarsler for elværktøj



**Advarsel!** Ekstra sikkerhedsadvarsler for alle save

### Skæreprocedurer



**Hold hænderne væk fra skæreamrådet og klingens. Placer den anden hånd på hjælpehåndtaget eller motorhuset.** Hvis begge hænder holder på saven, kan de ikke blive skåret af klingens.

- ◆ **Ræk ikke ind under arbejdsemnet.** Skjoldet yder ingen beskyttelse mod den del af klingens, der er under materialet.
- ◆ **Justér skæredybden iht. tykkelsen på arbejdsemnet.** Mindre end én hel tand på klingens må være synlig under materialet.
- ◆ **Hold aldrig det emne, du saver i, i hånden eller over dine ben.** Arbejdsemnet skal fikseres på et stabilt underlag. Det er vigtigt at understøtte arbejdsemnet ordentligt for at minimere, at klingens binder eller tab af kontrol og personskade.
- ◆ **Hold kun i el-værktøjets isolerede grebflader, hvis der er risiko for, at det kommer i kontakt med skjulte ledninger eller dets egen ledning.** Ved kontakt med en strømførende ledning bliver elværktøjets blottagte metaldele også strømførende, så brugeren får stød.
- ◆ **Brug et land eller en styreskinne, når der saves på langs.** Det øger nøjagtigheden og mindsker risikoen for, at klingens sætter sig fast.
- ◆ **Brug altid klinger med den korrekte størrelse og form (diamant kontra rund) spændehuller.** Klinger, som ikke passer til det monterede hardware på saven, vil køre excentrisk og medføre tab af kontrol.
- ◆ **Brug aldrig beskadigede eller ukorrekte klingspændeskiver eller bolte.** Klingspændeskiverne og boltene er blevet specielt designet til din sav til optimal ydeevne og driftssikkerhed.

### Yderligere sikkerhedsinstruktioner for alle save

#### Årsager til tilbageslag og relaterede advarsler

- ◆ tilbageslag er en omgående reaktion på en savklinge, der er blokeret, binder eller sidder skævt, og medfører en ukontrolleret sav, som kører ud og ind af arbejdsemnet imod operatøren;
- ◆ når klingens er blokeret eller binder stramt, når skæringen lukker sammen, standser klingens, og motorreaktionen driver hurtigt enheden tilbage imod operatøren.

- ◆ Hvis klingens bliver forvredet eller skævvredet i savsnittet, kan tænderne på det bagerste kant af klingens grave ind i træets overflade og medføre, at klingens arbejder sig op af snittet og springer tilbage imod brugeren

Et tilbageslag (kickback) opstår som følge af forkert brug eller misbrug af rundsaven, som kan undgås vha. følgende foranstaltninger.

- ◆ **Hold godt fast i saven med begge hænder, og anbring armene, så de kan holde saven i tilfælde af et tilbageslag.** Anbring din krop på den ene side af klingens, men ikke på linje med klingens. Tilbageslag kan få saven til at springe baglæns, men tilbageslagskræfterne kan styres af operatøren, hvis der tages korrekte forhåndsregler.
- ◆ **Slip startknappen, og hold saven stille i materialet, indtil klingens er helt stoppet, hvis klingens sætter sig fast, eller der opstår nogen form for uregelmæssighed under arbejdet.** Forsøg aldrig at fjerne saven fra arbejdet eller at trække saven tilbage, mens klingens er i bevægelse, da der ellers kan forekomme et tilbageslag. Find ud af, hvorfor hjulet har sat sig fast, og træf passende forholdsregler, så det ikke kan ske igen.
- ◆ **Når en sav genstartes i et arbejdsemne, centrér savklingens i snittet og kontrollér, at savtænderne ikke sidder fast i materialet.** Hvis savklingens sætter sig fast, kan den arbejde sig op, eller der kan opstå et tilbageslag fra materialet, når saven startes igen.
- ◆ **Understøt lange paneler for at minimere risikoen for, at klingens sidder fast og for tilbageslag.** Større plader har en tendens til at bøje pga. deres vægt. Der skal placeres understøtninger under panelet på begge sider, tæt ved skærelinjen og tæt ved panelets hjørner.
- ◆ **Brug ikke sløve eller beskadigede klinger.** Uskarpe klinger eller klinger, der ikke er sat rigtig fast, giver en smal skærerille, som medfører friktion og beviker, at klingens kan sætte sig fast, og at der kan opstå tilbageslag.
- ◆ **Klangedybde og smigskårne regulerende låseudløbere skal være strammet og sikret, før der foretages et snit.** Hvis klingens forskubber sig under arbejdet, kan den sætte sig fast, eller der kan opstå et tilbageslag.
- ◆ **Vær især forsigtig, hvis der saves i eksisterende vægge eller andre steder, hvor du ikke kan se, hvad du skærer i.** Klingens, der skal dykke ned, kan skære genstande, som kan medføre tilbageslag.

#### Funktion af nederste skærm

- ◆ **Kontrollér, at klingens nederste beskyttelsesskærm er ordentligt lukket før hver anvendelse.** Arbejd ikke med saven, hvis den nederste beskyttelsesskærm ikke kan bevæges frit og øjeblikkeligt kan omslutte klingens. Spænd eller bind aldrig den laveste beskyttelsesskærm i åben position. Hvis saven tabes ved et uheld, kan den nederste beskyttelsesskærm være bøjet.

Hæv den nederste beskyttelsesskærm med tilbagetrækningshåndtaget og sørg for, at den kan bevæges frit og ikke rører ved klingens eller andre dele, i alle hjørner og dybder af snittet.

- ◆ **Kontroller, at det nederste skjoldes fjeder fungerer. Hvis beskyttelsesskærmen og fjederen ikke virker korrekt, skal de serviceres før brug.** DDn nederste beskyttelsesskærm kan virke træg på grund af ødelagte dele, klæbrige efterladenskaber eller opbygning af efterladenskaber.
- ◆ **Det nederste skjold må kun trækkes ud manuelt i forbindelse med særlige snit, f.eks. "indsnit" og "kombinerede snit".** Hæv den nederste beskyttelsesskærm med tilbagetrækningshåndtaget, og lige så snart klingens skjærm ind i materialet, skal den nederste beskyttelsesskærm udløses. Ved al anden savning bør den nederste beskyttelsesskærm køre automatisk.
- ◆ **Kontrollér altid, at den laveste beskyttelsesskærm dækker klingens, før savnen anbringes på bænken eller gulvet.** En ubeskyttet, roterende klinge kan selv uden motorkraft få savnen til at køre baglæns og skære i de genstande, den kommer i kontakt med. Vær opmærksom på den tid, det tager for klingens at stoppe, efter der er slukket for kontakten.

## Andres sikkerhed

Lad aldrig børn, personer med nedsatte fysiske, sensoriske eller mentale evner eller manglende erfaring og viden, eller folk der ikke kender disse instruktioner bruge maskinen, lokale regler kan begrænse brugerens alder.

## Tilbageværende risici

Der kan opstå yderligere, tilbageværende risici under brugen af apparatet, som muligvis ikke behandles i de vedlagte sikkerhedsadvarsler. Disse risici kan opstå pga. forkert anvendelse, langvarig brug etc.

Selv ved overholdelse af relevante sikkerhedsforskrifter og anvendelse af sikkerhedsudstyr kan visse tilbageværende risici ikke undgås. Disse omfatter:

- ◆ Tilskadekomst forårsaget af berøring af roterende/bevægelige dele.
- ◆ Tilskadekomst forårsaget af udskiftning af dele, klinger eller tilbehør.
- ◆ Tilskadekomst forårsaget af langvarig brug af et apparat. Husk at holde pause jævnligt ved brug af et apparat i længere tid.
- ◆ Hørenedsættelse.
- ◆ Sundhedsrisici forårsaget af indånding af støv, der genereres ved brug af dit apparat (eksempel: arbejde med træ, især eg, bøg og MDF.)

## Vibration

De angivne værdier for udsendelse af vibration anført under de tekniske data og overensstemmelseserklæringen er målt i henhold til standardtestmetoden i EN62841 og kan bruges til at sammenligne ét værktøj med et andet. Den angivne vibrationsemissionsværdi kan også bruges som en foreløbig vurdering af eksponeringen.

**Advarsel!** Værdien for vibrationsemission ved faktisk brug af elværktøjet kan afvige fra den angivne værdi afhængigt af måden, værktøjet anvendes på. Vibrationsniveauet kan overstige det angivne niveau.

I vurderingen af eksponeringen for vibration med henblik på fastsættelse af sikkerhedsforanstaltninger som krævet i 2002/44/EF til beskyttelse af personer, der jævnligt anvender elværktøj i deres arbejde, skal der tages hensyn til de faktiske betingelser under brugen, og måden værktøjet bruges på, herunder alle arbejdsrytters elementer, f.eks. perioder, hvor værktøjet er slukket, og hvor det kører i tomgang, tillige med startperioderne.

## Mærkatet på værktøjet

Værktøjet er forsynet med følgende piktogrammer sammen med en datokode:



**Advarsel!** Brugeren skal læse brugervejledningen for at reducere risikoen for tilskadekomst.

## Yderligere sikkerhedsinstruktioner for batterier og opladere (hvor leveret)

### Batterier (hvor leveret)

- ◆ Forsøg aldrig at åbne dem af en eller anden grund.
- ◆ Batteriet må ikke udsættes for fugt.
- ◆ Opbevar ikke batterier på steder, hvor temperaturen kan overstige 40°C.
- ◆ Foretag kun opladning ved omgivelsestemperaturer mellem 10°C og 40°C.
- ◆ Oplad kun ved hjælp af den medfølgende lader.
- ◆ Følg ved bortskaffelse af batterier vejledningen i afsnittet "Miljøbeskyttelse".

### Opladere (hvor leveret)

- ◆ Brug kun din BLACK+DECKER-lader til at oplade batteriet i det værktøj, som den blev leveret sammen med. Andre batterier kan eksplodere og forårsage kvæstelser og materielle skader.
- ◆ Forsøg aldrig at oplade ikke-genopladelige batterier.
- ◆ Udskift straks defekte ledninger.
- ◆ Opladeren må ikke udsættes for fugt.
- ◆ Opladeren må ikke åbnes.
- ◆ Undersøg ikke opladeren.



Opladeren er kun beregnet til indendørs brug.



Læs brugervejledningen, før værktøjet tages i brug.

## Elektricitet og sikkerhed



Opladeren er dobbelt isoleret. Derfor er en jordledning ikke nødvendig. Kontroller altid, at netspændingen svarer til spændingen på typeskiltet. Forsøg aldrig at erstatte opladerenheden med et almindeligt netstik.

- ◆ Hvis netledningen beskadiges, skal den udskiftes af producenten eller et autoriseret BLACK+DECKER-værksted, så farlige situationer undgås.

## Funktioner

Apparatet har nogle eller alle af de følgende funktioner.

1. Hovedhåndtag
2. Låseknop
3. Tænd/sluk-udløser
4. Batteri (hvor leveret)
5. Sko
6. Låsegreb til dybdejustering
7. Sekundært håndtag
8. Øverste skærm
9. Justeringsskala for smig
10. Klinge
11. Nederste klinges beskyttelsesskærm
12. Dybdejusteringsskala
13. Låseværktøj
14. Støvdudblæsningsåbning
15. Låsegreb til justering af smig
16. Spindellås

## Opladningsprocedure (hvor leveret)

BLACK+DECKER opladere er designet til at oplade BLACK+DECKER batteripakker.

- ◆ Indsæt opladeren i en passende udgang, før batteripakken indsættes.
- ◆ Indsæt batteripakken i opladeren.
- ◆ Den grønne LED blinker for at vise, at batteriet oplades.
- ◆ Når opladningen er færdig, vil det blive angivet af den grønne LED, som vil lyse konstant. Pakken er fuldt opladet og kan nu anvendes eller kan efterlades i opladeren.

**Bemærk:** Genoplad afladede batterier så hurtigt som muligt efter brug, da batteriets levetid ellers kan blive stærkt formindsket. For længste batterilevetid, aflad ikke batterierne helt. Opladning af batterierne efter hver brug anbefales.

## Efterlad batteriet i opladeren (hvor leveret)

Du kan lade batteripakken sidde i laderen med tændt lysdiode, så længe det ønskes. Opladeren holder batteripakken klar og fuldt opladet.

## Vigtigt: Opladningsprocedure (hvor leveret)

- ◆ Den længste levetid og bedste ydeevne kan opnås, hvis batteripakken oplades, når lufttemperaturen er mellem 18 °C og 24 °C (65 °F og 75 °F). Oplad IKKE batteripakken i en lufttemperatur under +4,5 °C (+40 °F) eller over +40,5 °C (+105 °F). Dette er vigtigt og vil forhindre alvorlig beskadigelse af batteripakken.
- ◆ Opladeren og batteripakken kan blive for varm at røre ved under opladning. Dette er normalt og angiver ikke et problem. For at lette køling af batteripakken efter brug, undgå at placere opladeren eller batteripakken i varme omgivelser, som f.eks. i et metalskur eller i en uisoleret trailer.
- ◆ Hvis batteripakken ikke oplades ordentligt:
  - ◆ Kontroller strømskiftet ved at tilslutte en lampe eller et andet apparat.
  - ◆ Kontrollér for at se om kontakten er tilsluttet til en lyskontakt, som slår strømmen fra, når du slukker for lysene.
  - ◆ Flyt opladeren og batteripakken til et sted, hvor den omgivende lufttemperatur er ca. 18 °C - 24 °C (65 °F - 75 °F).
  - ◆ Hvis der stadig er opladningsproblemer, tag værktøjet, batteripakken og opladeren til dit lokale servicecenter.
- ◆ Batteripakken skal genoplades, når den ikke giver tilstrækkelig strøm til de opgaver, som tidligere let blev udført. FORTSÆT IKKE med at bruge den under disse forhold. Følg opladningsproceduren. Du kan også oplade en delvist brugt pakke, når du ønsker det uden nogen negativ indflydelse på batteripakken.
- ◆ Fremmede materialer af en ledende art som for eksempel, men ikke begrænset til ståluld, aluminiumsfolie eller anden koncentration af metalliske partikler skal holdes på afstand af opladerens huller. Tag altid stikket til opladeren ud fra kontakten, når der ikke er indsat en batteripakke. Tag stikket til opladeren ud før forsøg på at rengøre den.
- ◆ Frys ikke eller nedsenk opladeren i vand eller andre væsker.

**Advarsel!** Lad ikke nogen flydende væsker komme ind i opladeren. Forsøg aldrig at åbne batteripakken. Hvis batteripakkens plastikhus får brud eller revner, returner det til et servicecenter til genbrug.

## Dårligt batteri (hvor leveret)

Hvis du ser et dårligt batteriblinkmønster, forsæt ikke med at oplade batteriet. Returnér det til et servicecenter eller til et indsamlingssted til genbrug.

### Varm/kold pakkeforsinkelse (hvor leveret)

Når opladeren registrerer en batteripakke, der er for varm eller for kold, starter den automatisk en Varm/kold pakkeforsinkelse, hvilket udskyder opladningen, indtil batteripakken har nået en passende temperatur. Opladeren skifter derefter automatisk til pakkeopladningsfunktion. Denne funktion sikrer maksimal batteripakkelevetid. En kold batteripakke vil oplade med en lavere hastighed end en varm batteripakke. Pakken vil oplade ved den lavere hastighed gennem hele opladningscyklussen og vil ikke vende tilbage til maksimal opladningshastighed, selvom pakken varmer.

### Indsættelse og udtagning af batteripakken fra værktøjet (hvor leveret)

**Advarsel!** Sørg for at værktøjet er afbrudt, stikket taget ud og at savklingen er standset inden nogle af de følgende funktioner foretages.

#### Isætning af batteripakke (fig. A)

- ◆ Sæt batteripakken helt ind i værktøjet, som vist i figur A, indtil du hører et klik. Kontrollér, at batteripakken sidder godt fast og er helt låst i position.
- ◆ Sørg for at batteripakken er helt skubbet ind og låst i position.

#### Udtagning af batteripakke (fig. B)

- ◆ Tryk batteriets udløserknop ned som vist i figur B, og træk batteripakken ud af værktøjet.

### Understøttelse af store plader/sikring af arbejdsemnet (fig. C)

- ◆ Understøt større plader for at minimere risikoen for, at klingen klemmes fast, og der opstår et tilbageslag. Store plader har en tendens til at bøje pga. deres vægt, som vist i fig. C.
- ◆ Der skal placeres understøtninger under pladen på begge sider, tæt ved skærelinjen og tæt ved pladens kant. Fig. C.
- ◆ Hold aldrig det emne, du saver i, i hånden eller over dine ben. Fig. D.
- ◆ Det er vigtigt at understøtte arbejdsemnet ordentligt, som vist i fig. E. Det er vigtigt at understøtte emnet for at minimere risikoen for personskade, eller at klingen binder med tab af kontrol.

### Justering af skæredybde - (Fig. F - G)

- ◆ Skæredybden skal indstilles i overensstemmelse med materialets tykkelse.
- ◆ Løsn låseknappen til dybderegulering (6) for at frigøre savskoen (5), som vist i fig. F.
- ◆ Anbring savskoen i den ønskede position. Den tilsvarende skæredybde kan aflæses på linealen (12).

- ◆ Indstil savens skæredybde således, at én tand (10) på klingen stikker frem under arbejdsemnet (16), som vist i fig. G.
- ◆ Spænd knappen fast for at låse savskoen på plads.

### Justering af smigvinkel - (fig. K)

Dette værktøj kan indstilles til smigvinkler mellem 0° og 50°

- ◆ Løsn låseknappen til smigvinklen (14) for at frigøre savskoen (5).
- ◆ Anbring savskoen (5) i den ønskede position. Den tilsvarende smigvinkel kan aflæses på vinkelmåleren (9).
- ◆ Spænd spærreknappen for smigvinkel fast (15) for at låse savskoen på plads.
- ◆ Bekræft indstillingens nøjagtighed ved at kontrollere vinklen på et snit i et stykke affaldsmateriale.

### Justering af sko til 90° snit

Skoen (5) er indstillet fra fabrikken for at sikre, at klingen står lodret i forhold til skoen ved en 0° indstilling af smigvinklen.

HVIS JUSTERING ER NØDVENDIG:

- ◆ Justér saven til 0° smig.
- ◆ Træk klingens beskyttelsesskærm tilbage (11).
- ◆ Løsn spærreknappen til smigvinkel (15). Anbring en vinkelmåler imod klingen (10) og skoen (5) for at justere indstillingen på 90°.
- ◆ Løsn låsemøtrikken (16) og flyt justeringsskruen (19) (vist i figur H), så skoen standser ved den korrekte vinkel. Spænd igen låsemøtrikken mod skoen, mens justeringsskruen holdes på plads.
- ◆ Bekræft indstillingens nøjagtighed ved at kontrollere vinklen på et snit af et stykke affaldsmateriale.

### Anbringelse og fjernelse af klingen (fig. I - J)

- ◆ Træk den underste beskyttelsesskærm og saml klingen (10) og låseskiven tilbage (20) som vist i figur I.
- ◆ Tryk på spindellåsen (16), mens savspindlen drejes (21) med låseværktøjet (13) indtil klingelåsen falder i hak, og klingen stopper med at dreje rundt.

**Bemærk:** Bolten har omvendt gevind. Drej med uret for at løsne. Drej mod uret for at stramme.

**Bemærk:** Tag aldrig fat i klingelåsen, mens saven kører, eller for at stoppe værktøjet.

Tænd aldrig for værktøjet, når klingelåsen er i hak. Resultatet vil være alvorlig beskadigelse af din sav.

### Nederste klinges beskyttelsesskærm

**Advarsel!** Fare for sønderrivelse. Den nederste klinges beskyttelsesskærm er en sikkerhedsfunktion, som nedsætter risikoen for alvorlig personskade. Anvend aldrig saven, hvis den nederste beskyttelsesskærm mangler, er beskadiget, forkert monteret eller ikke virker korrekt. Stol ikke på at den nederste klinges beskyttelsesskærm vil beskytte dig under alle omstændigheder.

Din sikkerhed afhænger af de følgende advarsler og forholdsregler lige såvel som korrekt betjening af saven. Kontrollér den nederste sikkerhedsskærm for korrekt lukning før hver brug som forklaret i Ekstra sikkerhedsinstruktioner for rundsave. Hvis den nederste klinges sikkerhedsskærm mangler eller ikke virker korrekt, skal du få saven undersøgt, før du bruger den. For at sikre produktsikkerhed og -pålidelighed skal reparationer, vedligeholdelse og justeringer udføres af et autoriseret serviceværksted eller en anden kvalificeret serviceorganisation, som altid bruger identiske udskiftingsdele.

**Advarsel!** For at minimere risikoen for øjenskader, bær altid beskyttelsesbriller. Fremmedlegemer i arbejdsemnet som fx ledninger eller søm kan få spidserne til at revne eller knække. Arbejd kun med saven, når den korrekte savklinges beskyttelsesskærm er på plads. Montér klingen korrekt med passende rotation før brug og anvend altid en ren, skarp klinge.

**Advarsel!** For at reducere risikoen for personskade er det vigtigt at understøtte arbejdsemnet korrekt og holde godt fast i saven, så du ikke mister kontrollen over den, hvilket kunne forårsage personskade. Figur E viser typisk håndstøtte.

## Anvendelse

**Advarsel!** For at reducere risikoen for kvæstelser skal du have læst og forstået alle vigtige sikkerhedsadvarsler og instruktioner, inden værktøjet anvendes.

## Valg af klinger

Din rundsav er beregnet til brug med 140 x 2 mm i diameter klinger, som har et 12,7 mm i diameter midterhul. Klinger skal være godkendt til rotation på 7.000 o/min (eller højere). Anvend INGEN slibeskiver.

## Almindelige skæringer

**Advarsel!** For at reducere risikoen for personskader skal du fjerne batteriet og følge alle samplings-, justerings- og opsætningsinstruktioner.

Sørg for, at den nederste beskyttelsesskærm virker korrekt. Vælg den korrekte klinge til det materiale, der skal skæres.

- ◆ Mål og afmærk arbejdsemnet, der skal tilskæres.
- ◆ Understøt og sikr emnet ordentligt (Se Sikkerhedsregler og instruktioner).
- ◆ Brug passende og nødvendigt sikkerhedsudstyr (Se sikkerhedsregler).
- ◆ Sikr og oprethold arbejdsområdet (Se Sikkerhedsregler).
- ◆ Når batteriet er isat, skal du sørge for, at kontakten tænder og slukker saven.

## Kontakt

Saven er udstyret med en kontaktpærrefunktion for at forhindre utilsigtet drift.

- ◆ For at anvende værktøjet skal du trykke låseknappen ind (2) fra begge sider af saven og holde den inde, mens du trykker på tænd/sluk-knappen (3).
- ◆ Efter du har trykket på tænd/sluk-knappen og saven snurrer, skal du slippe låseknappen.
- ◆ Motoren kører, så længe der trykkes på startknappen.
- ◆ Tryk på tænd/sluk-knappen for at slå værktøjet fra.

**Bemærk:** Dette værktøj kan ikke låse tænd/sluk-knappen, og kontakten må aldrig låses på nogen som helst måde.

## Automatisk elektrisk bremse

Din sav er udstyret med en elektrisk klingebremse, som standser savklingen inden for 1-2 sekunder efter du har sluppet tænd/sluk-knappen. Dette sker automatisk og kræver ingen justering.

## Savning

**Advarsel!** For at reducere risikoen for alvorlig personskade skal du altid holde værktøjet med begge hænder.

- ◆ Lad klingen løbe frit et par sekunder, inden du begynder at save.
- ◆ Tryk kun let med værktøjet, mens du skærer.
- ◆ Arbejd med skoen trykket mod materialet.

## Gode råd til optimal brug

- ◆ Sav fra den side, hvor der gerne må forekomme splinter, da det er umuligt at undgå, at oversiden af materialet splintrer.
- ◆ Anbring et stykke krydsfiner oven på materialet, hvis splinter er uønsket, f.eks. når der saves i laminat.

## Indsnit (fig. K)

**Advarsel!** Bind aldrig klingens beskyttelsesskærm i en hævet position. Flyt aldrig savens baglæns under lommeskæring. Dette kan få enheden til at hæve sig op over overfladen, hvilket kan medføre personskader.

Et indsnit er et skær, der er lavet, når kanten af materialet ikke skubber den nederste beskyttelsesskærm åben, men hvor underkanten af den roterende klinge skærer ind til midten af materialet.

- ◆ Justér savens sko (5), så klingens skærer med den ønskede dybde.
- ◆ Vip saven fremad og lad forenden af skoen hvile på det materiale, der skal skæres.
- ◆ Træk ved hjælp af beskyttelsesskærmgrebet den nederste beskyttelsesskærm tilbage til en oprejst position. Sænk bagenden på skoen, indtil klingens tænder næsten rører ved skærelinjen.
- ◆ Udløs klingens beskyttelsesskærm (dens kontakt med arbejdsemnet vil holde den i position, så den åbnes uhindret, når du begynder at skære).



- ♦ Tag hånden væk fra skærmgrebet og hold godt fast i hjælpehåndtaget (7), som vist i figur N. Anbring din krop og arm således, at du kan modstå evt. tilbageslag, hvis det opstår.
- ♦ Kontrollér, at klingen ikke er i kontakt med skæreeverfladen, før du starter saven.
- ♦ Start motoren, lad saven komme op i fuld omdrejning, og sænk gradvist saven, indtil dens sko hviler fladt på det materiale, der skal skæres. Før saven frem langs med skærelinjen, indtil snittet er afsluttet, som vist i figur K.
- ♦ Slip tænd/sluk-knappen og lad klingens standse helt, før klingens trækkes tilbage fra materialet.
- ♦ Gentag ovennævnte ved start på hvert nyt snit.

## Miljøbeskyttelse



Særskilt bortskaffelse. Produkter og batterier mærket med dette symbol må ikke bortskaffes sammen med normalt husholdningsaffald.

Produkter og batterier indeholder materialer, der kan genvindes eller genbruges og således reducere efterspørgslen efter råvarer.

Genbrug venligst elektriske produkter og batterier i henhold til lokale bestemmelser. Yderligere informationer findes på [www.2helpU.com](http://www.2helpU.com)

## Tekniske data

BDCCS18 H1		
Indgangsspænding	$V_{ac}$	18
Tomgangshastighed	$min^{-1}$	3.700 O/MIN
Maks. skæredybde	mm	43
Maks. skæredybde ved 45° smigvinkel	mm	35
Klangediameter	mm	140
Klingegehul	mm	12,7
Klingens spidsbredde	mm	2,0
Vægt	kg	2,08

Oplader		905902**/ N4940**	905998**/ 906349**
Input-spænding	$V_{AC}$	100-240	220-240
Output-spænding	$V_{DC}$	8-20	8-20
Strøm	mA	400	1000
Ca. opladningstid	Hours	3-11	1.5-5

Batteri (Såfremt oplysninger)		BL2018*	BL1518*	BL4018
Voltage	$V_{DC}$	18	18	18
Capacity	Ah	2.0	1.5	4.0
Type		Li-Ion	Li-Ion	Li-Ion

$L_{pa}$ (lydtryk) 76,0 dB(A), usikkerhed (K) 3 dB(A)
$L_{wa}$ (lydeffekt) 87,0 dB(A), usikkerhed (K) 3 dB(A)
Samlede værdier for vibration (triaksial vektorsum) i henhold til EN 62841:
Savning i træ ( $a_{h,g}$ ) 1,5 $m/s^2$ , usikkerhed (K) 1,5 $m/s^2$

## EU-overensstemmelseserklæring

MASKINDIREKTIV



BDCCS18 Rundsav

## Problemløsning

Problem	Mulig årsag	Mulig løsning
Enheden vil ikke starte.	Batteripakken er ikke installeret korrekt.	Kontroller installationen af batteripakken.
	Batteripakken er ikke opladet.	Kontroller kravene til opladning af batteriet.
Motoren stopper under slåning.	Batteripakken er ikke sat i opladeren.	Indsæt batteripakken i opladeren, indtil lysdioden lyser.
	Opladeren er ikke tilsluttet.	Slut opladeren til en fungerende stikkontakt. Se "Vigtige bemærkninger om opladning" for flere detaljer.
	Omgivende lufttemperatur er varm eller for kold.	Flyt opladeren og batteripakken til en omgivende lufttemperatur på over 40 grader F (4,5 °C) eller under 105 grader F (+40,5 °C).
Enheden slukker brat.	Batteripakken har nået sin maksimale termiske grænse.	Lad batteripakken køle ned.
	Ude af opladning. (For at maksimere batteripakkens levetid er den designet til brat at slukke, når opladningen er opbrugt).	Anbring den på opladeren og lad den lade op.

## Tilbehør

Værktøjets ydeevne afhænger af det anvendte tilbehør. Tilbehør fra BLACK+DECKER er fremstillet efter høje kvalitetsstandarder og er designet til at forbedre dit værktøjs ydeevne. Når du bruger dette tilbehør, vil værktøjet yde optimalt.

## Vedligeholdelse

Dette værktøj er beregnet til brug gennem lang tid med et minimum af vedligeholdelse. Vedvarende tilfredsstillende funktion er afhængig af, om apparatet plejes korrekt og rengøres regelmæssigt.

**Advarsel!** Før der udføres vedligeholdelse, skal værktøjet slukkes og stikket trækkes ud.

- ♦ Rengør regelmæssigt værktøjets ventilationshuller med en blød børste eller en tør klud.
- ♦ Rengør med jævne mellemrum motorhuset med en fugtig klud. Der må ikke bruges skuremidler eller opløsningsmidler.

Black & Decker erklærer, at produkterne beskrevet under "Tekniske data" er i overensstemmelse med: EN62841-1:2015, EN62841-2-5:2014.

Disse produkter er endvidere i overensstemmelse med direktiv 2006/42/EC, 2014/30/EU og 2011/65/EU. Kontakt Black & Decker på nedenstående adresse eller se vejledningens bagside for at få yderligere oplysninger.

Undertegnede er ansvarlig for udarbejdelsen af de tekniske data og fremsætter denne erklæring på vegne af Black & Decker.



A. P. Smith  
Technical Director

Black & Decker Europe, 270 Bath Road, Slough,  
Berkshire, SL1 4DX  
Storbritannien  
30/04/2019

## Garanti

Black & Decker er sikker på kvaliteten af sine produkter og tilbyder forbrugerne en garanti på 24 måneder fra købsdatoen. Garantien er et tillæg til forbrugers lovmæssige rettigheder og påvirker ikke disse. Garantien er gyldig inden for medlemsstaterne af Den Europæiske Union og Det Europæiske Frihandelsområde.

Når du gør krav på garantien, skal kravet være i overensstemmelse med Black & Decker vilkår og betingelser, og du skal indsende dokumentation for købet til sælgeren eller til en autoriseret reparatør. Vilkår og betingelser for Black & Decker 2 års garanti og placeringen af dit nærmeste autoriserede serviceværksted kan fås på internettet på [www.2helpU.com](http://www.2helpU.com), eller ved at kontakte dit lokale Black & Decker kontor på den adresse, der er angivet i denne vejledning.

Besøg venligst vores websted [www.blackanddecker.co.uk](http://www.blackanddecker.co.uk) for at registrere dit nye Black & Decker produkt og modtage opdateringer om nye produkter og specielle tilbud.

## Käyttötarkoitus

BLACK+DECKER BDCCS18 -pyörösaha on suunniteltu puun ja puutuotteiden sahaamiseen. Tämä työkalu on tarkoitettu vain yksityiskäyttöön.

## Turvallisuusohjeet

### Sähkötyökalujen yleiset turvavaroitukset



**Varoitus! Lue kaikki tämän sähkötyökalun mukana toimitetut varoitukset, käyttöohjeet ja tekniset tiedot.** Alla olevien varoitusten ja ohjeiden noudattamisen laiminlyönti saattaa johtaa sähköiskuun, tulipaloon ja/tai vakavaan loukkaantumiseen.

**Säästä kaikki varoitukset ja ohjeet tulevaa käyttöä varten.** Ohjeissa käytetty käsite "sähkötyökalu" tarkoittaa verkkokäyttöisiä sähkötyökaluja (verkkojohdolla varustettuja) ja akkukäyttöisiä sähkötyökaluja (ilman verkkojohtoa).

#### 1. Työalueen turvallisuus

- Pidä työalue puhtaana ja hyvin valaistuna.** Onnettomuuksia sattuu herkemmin epäsiistissä tai huonosti valaistussa ympäristössä.
- Älä käytä sähkötyökalua räjähysalttiissa ympäristössä, jossa on syttyvää nestettä, kaasua tai pölyä.** Sähkötyökalujen aiheuttamat kipinät voivat sytyttää pölyn tai kaasut.
- Pidä lapset ja sivulliset loitolla sähkötyökalua käyttäessäsi.** Keskittymiskyvyn herpaantuminen voi aiheuttaa hallinnan menettämisen.

#### 2. Sähköturvallisuus

- Sähkötyökalun pistokkeen on sovitettava pistorasiaan. Älä koskaan tee pistokkeeseen mitään muutoksia. Älä yhdistä maadoitettua sähkötyökalua jatkojohtoon.** Sähköiskun vaara vähenee, jos pistokkeisiin ei tehdä muutoksia ja ne yhdistetään vain niille tarkoitettuihin pistorasioihin.
- Vältä koskettamasta maadoitettuja pintoja, kuten putkia, lämpöpattereita, liesiä tai jääkaappeja.** Voit saada sähköiskun, jos kehosi on maadoitettu.
- Älä altista sähkötyökalua sateelle tai kosteudelle.** Sähkötyökaluun menevä vesi lisää sähköiskun vaaraa.
- Älä käsittele virtajohtoa kovakouraisesti. Älä kannata työkaluja sähköjohdosta tai vedä pistoketta pistorasiasta sähköjohdon avulla. Pidä sähköjohto kaukana kuumuudesta, öljystä, terävistä reunoista tai liikkuvista osista.** Vaurioituneet tai soikeutuneet johdot lisäävät sähköiskun vaaraa.
- Käyttäessäsi sähkötyökalua ulkona käytä ainoastaan ulkokäyttöön soveltuvaa jatkojohtoa.**

Ulkokäyttöön tarkoitettujen sähköjohdon käyttäminen vähentää sähköiskun vaaraa.

- f. **Jos sähkötyökalua on välttämättä käytettävä kosteassa paikassa, käytä vikavirtasuojalla (RCD) suojattua virtälähdettä.** Tämä vähentää sähköiskun vaaraa.
3. **Henkilöturvallisuus**
- a. **Ole valpas, keskity työhön ja noudata tervettä järkeä sähkötyökalun käytössä. Älä käytä tätä työkalua ollessasi väsynyt tai alkoholin, huumeiden tai lääkkeiden vaikutuksen alaisena.** Keskittymisen herpaantuminen hetkeksikin sähkötyökalua käytettäessä voi aiheuttaa vakavan henkilövahingon.
- b. **Käytä henkilökohtaisia suojavarusteita. Käytä aina suojalaseja.** Hengityssuojaimen, liukumattomien turvajalkineiden, kypärän ja kuulonsuojaimen käyttäminen vähentää henkilövahinkojen vaaraa.
- c. **Vältä tahatonta käynnistämistä. Varmista, että kytkin on OFF-asennossa, ennen kuin liität laitteen virtälähteeseen ja/tai akkuun, nostat laitteen tai kannat sitä.** Sähkötyökalun kantaminen sormi virtakytkimellä lisää onnettomuusvaaraa.
- d. **Irrota mahdollinen säätö- tai kiintoavain ennen kuin käynnistät sähkötyökalun.** Sähkötyökalun pyöriivään osaan kiinni jäänyt avain voi johtaa loukkaantumiseen.
- e. **Älä kurkotta. Huolehdi siitä, että sinulla on koko ajan tukeva jalansija ja hyvä tasapaino.** Näin voit hallita sähkötyökalua paremmin odottamattomissa tilanteissa.
- f. **Käytä tarkoitukseen soveltuvia vaatteita. Älä käytä löysiä vaatteita tai koruja. Pidä hiukset, vaatteet ja kädet loitolla liikkuvista osista.** Löysät vaatteet, korut tai pitkät hiukset voivat tarttua liikkuviin osiin.
- g. **Jos työkalun voi liittää pölynimuriin, tarkista, että liitos on tehty asianmukaisesti ja että laitteita käytetään oikealla tavalla.** Pölyn ottaminen talteen voi vähentää pölyn aiheuttamia vaaroja.
- h. **Vaikka käyttäisit usein työkaluja ja sinulla olisi niistä hyvä tuntemus, älä jätä lukematta työkalun turvallisuusohjeita.** Huolimattomuus voi johtaa vakaviin henkilövahinkoihin jopa sekunnin murto-osassa.
4. **Sähkötyökalujen käyttö ja hoito**
- a. **Älä ylikuormita sähkötyökalua. Valitse käyttötarkoituksen kannalta oikea sähkötyökalu.** Sähkötyökalu toimii paremmin ja turvallisemmin, kun sitä käytetään sille suunniteltuun käyttötarkoitukseen.
- b. **Älä käytä sähkötyökalua, jota ei voida käynnistää ja pysäyttää virtakytkimestä.** Jos sähkötyökalua ei voi hallita kytkimen avulla, se on vaarallinen ja se on korjattava.

- c. **Irrota pistotulppa pistorasiasta ja/tai akku laitteesta ennen kuin suoritat säätöjä, vaihdat tarvikkeita tai siirrä sähkötyökalun varastoitavaksi.** Näin voit vähentää vahingossa käynnistymisen aiheuttaman henkilövahingon vaaraa.
- d. **Säilytä sähkötyökalut poissa lasten ulottuvilta, kun niitä ei käytetä. Älä anna sähkötyökalua sellaisen henkilön käyttöön, joka ei tunne sitä tai joka ei ole tutustunut tähän käyttöohjeeseen.** Sähkötyökalut ovat vaarallisia kouluttamattomien käyttäjien käsissä.
- e. **Hoida sähkötyökaluasi ja lisävarusteita huolella.** Tarkista, että liikkuvat osat toimivat moitteettomasti ja etteivät ne ole puristuksessa. Tarkista myös, ettei työkalussa ei ole murtuneita tai vahingoittuneita osia, jotka saattaisivat vaikuttaa haitallisesti sen toimintaan. Jos havaitset vaurioita, korjauta sähkötyökalu ennen niiden käyttämistä. Huonosti kunnossapidetyt sähkötyökalut aiheuttavat onnettomuuksia.
- f. **Pidä leikkausterät terävinä ja puhtaina.** Kunnossa pidettyjen leikkaavien teräviä reunoja sisältävien työkalut todennäköisyys jumiutua vähenee, ja niitä on helpompi hallita.
- g. **Käytä sähkötyökaluja, tarvikkeita, vaihtoteriä yms. näiden ohjeiden mukaisesti. Ota tällöin huomioon työolosuhteet ja suoritettava toimenpide.** Jos sähkötyökalua käytetään näiden ohjeiden vastaisesti, voi syntyä vaaratilanne.
- h. **Pidä kahvat ja kädensijat kuivina ja puhtaina öljystä ja rasvasta.** Liukkaat kahvat ja kädensijat estävät työkalun turvallisen käsittelyn ja hallinnan odottamattomissa tilanteissa.
5. **Akkutyökalun käyttö ja huolto**
- a. **Lataa akku vain valmistajan määrittelemällä laturilla.** Laturi, joka on sopiva yhden tyyppiselle akulle, voi aiheuttaa tulipalon vaaran, jos sitä käytetään toisen tyyppisellä akulla.
- b. **Käytä sähkötyökalussa ainoastaan kyseiseen sähkötyökaluun tarkoitettua akkua.** Muun tyyppisen akun käyttö saattaa johtaa loukkaantumiseen ja tulipaloon.
- c. **Pidä irrallinen akku loitolla metalliesineistä, kuten paperiliittimistä, kolikoista, avaimista, nauloista, ruuveista tai muista pienistä metalliesineistä, jotka voivat aiheuttaa oikosulun akun navoissa.** Kennon pinteiden oikosulku voi aiheuttaa palovammoja tai tulipalon.
- d. **Väärin käytetystä akusta voi vuotaa nestettä. Älä kosketa sitä. Jos nesteen kanssa joutuu kosketuksiin, huuhtelee vedellä. Jos nestettä joutuu silmiin, hakeudu lisäksi lääkärin hoitoon.** Akusta irskunut neste saattaa aiheuttaa ärsytystä tai palovammoja.

- e. Akkua tai työkalua ei saa käyttää, jos siinä on vaurioita tai sitä on muunneltu. Vaurioituneet tai muunnellut akut voivat johtaa odottamattomiin tilanteisiin ja vaarana ovat tulipalo, räjähdys ja henkilövahingot.
- f. Suojaa akku ja työkalu tulelta ja liian korkeilta lämpötiloilta. Se voi räjähtää yli 129 °C lämpötilassa.
- g. Noudata kaikkia latausohjeita. Akkua tai työkalua ei saa ladata ohjeissa määritetystä lämpötilavälisestä poikkeavassa lämpötilassa. Jos akku ladataan virheellisesti tai määritetystä lämpötilavälisestä poikkeavassa lämpötilassa, seurauksena voi olla akun vaurioituminen ja tulipalovaara.

## 6. Huolto

- a. Korjauta sähkötyökalu koulutetulla ja ammattitaitoisella henkilöllä ja hyväksy korjauksiin vain alkuperäisiä varaosia. Tämä varmistaa sähkötyökalun turvallisuuden.
- b. Älä koskaan huolla vaurioituneita akkuja. Ainoastaan valmistaja tai valtuutetut huoltoliikkeet saavat huoltaa akkuja.

## Sähkötyökalujen lisäturvavaroitukset



**Varoitus!** Kaikkien sahojen lisäturvaseäntöjä

## Leikkausmenettelyt



**Pidä kädet poissa leikkausalueelta ja terästä. Pidä toinen käsi lisäkavassa tai moottorin kotelossa.** Jos tartut sahan molemmin käsin, ne eivät pääse koskettamaan terää.

- ◆ Älä kurota työkappaleen alle. Suojus ei voi suojata sinua terältä työkappaleen alapuolella.
- ◆ Säädä leikkaussyvyys työkappaleen paksuuden mukaan. Työkappaleen alapuolella tulee näkyä alle puolet terän hampaasta.
- ◆ Älä koskaan kannattele leikattavaa kappaletta käsin tai pidä sitä jalkojen päällä. Kiinnitä työkappale tukevalle alustalle. On tärkeää tukea työkappale oikein, jotta voitaisiin minimoida kehon vaarantuminen, terän juuttuminen kiinni tai hallinnan menettäminen.
- ◆ Pitele sähkötyökalua vain sen eristävistä tartunta-kohdista, kun teet työtä, jossa terä voi osua piilossa olevaan sähköjohtoon tai sahan omaan virtajohtoon. Kosketus jännitteisen johtimen kanssa voi tehdä myös työkalun paljaista metalliosista jännitteisiä ja aiheuttaa sähköiskun käyttäjälle.
- ◆ Käytä halkaisusahauksessa aina halkaisusahausvasta tai suoraa reunaohjainta. Tämä parantaa leikkauksen tarkkuutta ja vähentää terän jumiumisen vaaraa.

- ◆ Käytä aina oikean kokoisia teriä, joissa on oikean muotoinen keskus (vinoneliö tai pyöreä). Jos terä ei vastaa sahan asennuskiinnikkeitä, terä pyörii epäkeskeisesti aiheuttaen hallinnan menetyksen.
- ◆ Älä koskaan käytä vahingoittunutta tai vääranlaista terän aluslevyä tai pulttia. Terän aluslevy ja pultti on suunniteltu tälle sahalle parasta suorituskykyä ja turvallista käyttöä silmällä pitäen.

## Lisäturvallisuusohjeet kaikille sahoille

### Takaiskun syyt ja siihen liittyvät varoitukset

- ◆ takaisku on äkinäinen reaktio, kun sahanterä tarttuu kiinni tai on kohdistettu väärin, jolloin saha nousee hallitsemattomasti ylös työkappaleesta käyttäjää kohti;
- ◆ kun sahanterä juuttuu tiukasti kiinni uurrokseen, terä pysähtyy ja moottorin reaktio heittää sahan nopeasti takaisin käyttäjää kohti;
- ◆ jos terä vääntyy tai kohdistuu väärin, terän takaosan hampaat voivat kaivautua puun yläpintaan ja aiheuttaa terän nousemisen ylös uurroksesta ja sahan hyppäämisen takaisin.

Takaisku johtuu sahan väärinkäytöstä ja/tai virheellisistä menetelmistä tai olosuhteista ja se voidaan välttää ryhtymällä oikeaoppisiin varotoimenpiteisiin.

- ◆ Ota tukeva ote sahasta molemmin käsin ja pidä käsivartesi sellaisessa asennossa, että voit torjua takaiskun voimat. Pidä vartalo jommallakummalla puolella terää, ei linjassa terän kanssa. Takaisku voi saada sahan hyppäämään takaisin, mutta käyttäjä voi hallita takaiskun voimaa ottamalla huomioon oikeat varotoimet.
- ◆ Jos terä on jumiumassa tai jos sahaaminen keskeytetään mistä tahansa syystä, päästä irti liipaisimesta äläkä liikuta sahaa työkappaleessa, kunnes terä on kokonaan pysähtynyt. Älä koskaan yritä irrottaa sahaa työstettävästä materiaalista tai vetää sitä taaksepäin terän liikkeessä, koska tällöin voi syntyä takaisku. Tutki terän juuttumisen syy ja suorita korjaustoimenpiteet.
- ◆ Kun käynnistät sahan uudelleen työkappaleessa, keskitä terä uurtoon ja varmista, etteivät hampaat ole kiinni materiaalissa. Jos sahanterä on puristuksessa, se saattaa työntyä ylös työkappaleesta tai aiheuttaa takaiskun sahan käynnistyksen yhteydessä.
- ◆ Tue isot levyt terän juuttumisen ja takaiskun vaaran vähentämiseksi. Suuret paneelit taipuvat usein notkolle omasta painostaan. Aseta tuki levyn alle molemmin puolin lähelle leikkauslinjaa ja lähelle levyn reunaa.
- ◆ Älä käytä tylsiä tai vioittuneita teriä. Teroittamattoman tai väärin asetetun terän sahaama leikkausura jää kapeaksi, ja siitä syntyvä ylimääräinen kitka saattaa aiheuttaa terän juuttumisen tai takaiskun.

- ◆ **Teräsyvyyden ja -viistouden säädön lukitusvipujen tulee olla tiukasti kiinni ennen leikkaamiseen ryhtymistä.** Jos terän säädöt liikkuvat sahausken aikana, voi tapahtua jumiutumisia tai takaiskuja.
- ◆ **Noudata erityistä varovaisuutta sahatessasi valmiiseen seinään tai muuhun tuntemattomaan paikkaan.** Esiin tunkeutuva terä voi kohdata vastuksen, joka aiheuttaa takaiskun.

## Alasuojuksen toiminta

- ◆ **Tarkista alempi teräsuojus oikeaoppisen sulkeutumisen varmistamiseksi ennen jokaista käyttökertaa.** Älä käytä sahaa, jos alasuojus ei liiku vapaasti ja sulkeudu terän ympärille välittömästi. Älä purista tai sido alasuojusta avoimeen asentoon. Jos saha putoaa vahingossa, alasuojus voi taipua. Nosta alasuojus taakse vedettävällä kahvalla ja varmista, että suojus liikkuu vapaasti koskettamatta terää tai mitään muuta osaa missään kulmassa tai leikkaussyvytydessä.
- ◆ **Tarkista alasuojuksen jousen toiminta. Jos suojus ja sen jousi eivät toimi oikein, ne täytyy huoltaa ennen seuraavaa käyttöä.** Alasuojus voi toimia veltosti, koska sen osat ovat vaurioituneet, siinä on tahmeita jäämiä tai siihen on kertynyt likaa.
- ◆ **Alasuojusta tulee vetää käsin vain, jos ollaan tekemässä sukellussahauksia tai yhdistettyjä sahausia.** Nosta alasuojusta taakse vedettävällä kahvalla ja heti kun terä uppoaa materiaaliin, alasuojus täytyy vapauttaa. Kaikessa muussa sahausessa alasuojuksen tulisi toimia automaattisesti.
- ◆ **Tarkista aina, että alasuojus peittää terän, ennen kuin asetat sahan työpöydälle tai lattialle.** Suojaamaton jälkikävyä sahanterä kuljettaa sahaa taaksepäin ja sahaa kaiken, mikä osuu sen tielle. Ota huomioon aika, joka kuluu terän pysähtymiseen liipaisimen vapauttamisen jälkeen.

## Muiden henkilöiden turvallisuus

Lapset, fyysisesti, aistillisesti tai henkisesti puutteelliset tai kokemattomat ja kouluttamattomat henkilöt, jotka eivät tunne näitä ohjeita, eivät saa koskaan käyttää konetta. Paikalliset säädökset saattavat määrittää käyttäjiä koskevia ikärajoituksia.

## Jäännösriskit

Myös muut kuin turvavaroituksissa mainitut riskit ovat mahdollisia työkalua käytettäessä. Nämä riskit voivat liittyä muun muassa virheelliseen tai pitkäaikaiseen käyttöön.

Tiettyjä jäännösriskejä ei voi välttää, vaikka noudatet kaikkia turvamääräyksiä ja käytät turvalaitteita. Näitä ovat:

- ◆ pyörivien tai liikkuvien osien koskettamisen aiheuttamat vahingot.

- ◆ osia, teriä tai lisävarusteita vaihdettaessa aiheutuneet vahingot.
- ◆ työkalun pitkäaikaisen käytön aiheuttamat vahingot. Varmista, että pidät säännöllisesti taukoja työkalun pitkäaikaisen käytön aikana.
- ◆ Kuulon heikkeneminen.
- ◆ Työkalua käytettäessä (esimerkiksi puuta, erityisesti tammea, pyökkiä ja MDF-levyjä käsitellessä) syntyneen pölyn sisäanhengityksen aiheuttamat terveysriskit.

## Tärinä

Teknisissä tiedoissa ja vaatimustenmukaisuusvakuutuksessa ilmoitettu tärinäpäästöarvo on mitattu EN62841-standardin testausmenetelmän mukaisesti, ja arvoa voi käyttää työkalujen keskinäiseen vertailuun. Ilmoitettua tärinäpäästöarvoa voi käyttää myös altistumisen alustavaan arviointiin.

**Varoitus!** Sähkötyökalun käytön aikana mitattu todellinen tärinäpäästöarvo voi poiketa ilmoitetusta tärinäpäästöarvosta työkalun käyttötavan mukaan. Tärinätasoa voi olla ilmoitettu tasoa suurempi.

Kun tärinälle altistumista arvioidaan sen määrittämiseksi, mitä direktiivin 2002/44/EY mukaisia turvatoimenpiteitä vaaditaan sähkötyökaluja säännöllisesti käyttävien henkilöiden suojelemiseksi, tärinälle altistumisen arvioinnissa on otettava huomioon todelliset käyttöolosuhteet ja työkalun käyttötavat. Todellisen käytön lisäksi on kiinnitettävä huomiota myös siihen, milloin työkalu on sammutettuna tai se käy tyhjäkäynnillä.

## Työkalun tarrat

Työkaluun on merkitty päivämääräkoodi sekä seuraavat varoitusmerkinnät:



**Varoitus!** Käyttäjän on luettava käyttöohje vahinkojen välttämiseksi.

## Akuja ja laturia koskevat lisäturvaohjeet (eivät välttämättä kuulu pakkaukseen)

### Akut (eivät välttämättä kuulu pakkaukseen)

- ◆ Älä koskaan yritä avata mistään syyistä.
- ◆ Älä anna akun kastua.
- ◆ Älä säilytä paristoja tiloissa, joissa lämpötila voi nousta yli 40 °C:een.
- ◆ Lataa akku paikassa, jonka lämpötila on vähintään 10 °C ja enintään 40 °C.
- ◆ Lataa akku ainoastaan työkalun mukana toimitetulla laturilla.
- ◆ Noudata akkujen hävittämisessä Ympäristönsuojelukohdassa esitetyjä ohjeita.

### Laturit (eivät välttämättä kuulu pakkaukseen)

- ◆ Käytä BLACK+DECKER-laturia vain laitteen mukana toimitetun akun lataamiseen. Muut akut voivat räjähtää ja aiheuttaa henkilövahinkoja tai aineellisia vahinkoja.

- ◆ Älä koskaan yritä ladata paristoja, joita ei ole tarkoitettu ladattavaksi.
- ◆ Vaihda vialliset johdot välittömästi ehjiin.
- ◆ Älä altista laturia vedelle.
- ◆ Älä avaa laturia.
- ◆ Älä työnnä mitään laturin sisään.



Laturi on tarkoitettu ainoastaan sisäkäyttöön.



Lue käyttöohjeet huolellisesti ennen laitteen käyttöä.

## Sähköturvallisuus



Laturi on kaksoiseristetty, joten erillistä maadoitusta ei tarvita. Tarkista aina, että verkkojännite vastaa arvokilvessä ilmoitettua jännitettä. Älä yritä vaihtaa laturiin tavallista verkkovirran pistoketta.

- ◆ Jos virtajohto vahingoittuu, sen vaihtaminen on turvallisuussyistä jätettävä valmistajan tai valtuutetun BLACK+DECKER-huoltopalvelun tehtäväksi.

## Yleiskuvaus

Tässä työkalussa on joitakin tai kaikki seuraavista ominaisuuksista.

1. Pääkahva
2. Lukituksen vapautuspainike
3. Virtakytkin
4. Akku (ei välttämättä kuulu pakkaukseen)
5. Kenkä
6. Syvyys säätönappi
7. Lisäkahva
8. Yläsuojus
9. Viistokulman asteikko
10. Terä
11. Alempi teräsuojus
12. Syvyyden säätöasteikko
13. Lukitusväline
14. Pölynpoistoportti
15. Viistokulman säätönappi
16. Karalukko

## Lataaminen (eivät välttämättä kuulu pakkaukseen)

BLACK+DECKER-laturin on tarkoitettu BLACK+DECKER-akkujen lataamiseen.

- ◆ Yhdistä laturi sopivaan pistorasiaan ennen kuin laitat siihen akun.
- ◆ Aseta akku laturiin.
- ◆ Vihreä LED-merkkivalo vilkkuu käynnissä olevan latauksen merkiksi.
- ◆ Kun lataus on valmis, vihreä LED-valo jää palamaan jatkuvasti.

Akku on täysin ladattu ja sitä voidaan käyttää heti tai sen voi jättää laturiin.

**Huomautus:** Lataa tyhjennetyt akut mahdollisimman pian käytön jälkeen, muutoin akun käyttöikä voi lyhentyä. Vältä akkuvirran purkautumista kokonaan loppuun akun käyttöiän maksimoimiseksi.

Suosittellemme akkujen lataamista jokaisen käyttökerran jälkeen.

## Akun jättäminen laturiin (ei välttämättä kuulu pakkaukseen)

Akku voidaan jättää laturiin, kun merkkivalo palaa. Laturi pitää akun käyttövalmiina ja ladattuna.

## Tärkeää tietoa lataamiseen (ei välttämättä kuulu pakkaukseen)

- ◆ Pisin käyttöikä ja paras suorituskyky saavutetaan, kun akkua ladataan lämpötilassa 18 °C - 24 °C (65 °F - 75 °F). ÄLÄ lataa akkua alle +4,5 °C (+40°F) tai yli +40,5 °C (+105°F) lämpötilassa. Tämä on tärkeää ja se estää akun vakavat vauriot.
  - ◆ Laturi ja akku voivat kuumentua latauksen aikana. Tämä on normaalia, eikä ole osoitus ongelmasta. Jotta akku jäähtyisi käytön jälkeen, vältä asettamista laturia tai akkua lämpimään ympäristöön, kuten metallikoteloon tai eristämättömän perävaunun päälle.
  - ◆ Jos akku ei lataudu oikein:
    - ◆ Tarkista pistorasian sähkövirta kytkemällä siihen lamppu tai jokin muu laite.
    - ◆ Tarkista valojen sammuttamisen yhteydessä virran katkaisevaa valokytkintä liitetty pistorasiaan.
    - ◆ Siirrä laturi ja akku paikkaan, jossa ympäristölämpötila on noin 18 °C - 24 °C (65°F - 75°F).
    - ◆ Jos latausongelmat jatkuvat, vie työkalu akun ja laturin ohella paikalliseen huoltopalveluun.
  - ◆ Akku täytyy ladata uudelleen, kun se ei enää tuota riittävää tehoa töissä, joka voitiin aikaisemmin tehdä helposti. ÄLÄ JATKA TYÖKALUN KÄYTTÖÄ näissä olosuhteissa. Noudata latausohjeita. Voit halutessasi myös ladata osittain käytettyä akkua milloin tahansa, ilman että siitä olisi haittaa akulle.
  - ◆ Vieraat johtavat aineet, kuten teräsilla, alumiinifolio tai metallihiukkaskertymät, niihin kuitenkin rajoittumatta, on pidettävä poissa laturin aukoista. Irrota laturi aina tehonsyötöstä, kun laturissa ei ole akkua. Irrota laturi tehonsyötöstä ennen kuin yrität puhdistaa sitä.
  - ◆ Älä pakasta tai upota laturia veteen tai muihin nesteisiin.
- Varoitus!** Älä päästä nestettä laturin sisään. Älä koskaan yritä avata akkuyksikköä mistään syystä. Jos akun muovikotelo rikkoutuu tai halkeaa, palauta se huoltopalveluun kierrätystä varten.

## Huonokuntoinen akku (ei välttämättä kuulu pakkaukseen)

Jos näet tämän heikosta akun kunnosta ilmoittavan vilkkumisen, lopeta akun lataus. Vie se huoltopalveluun tai kierrätyspisteeseen.

## Kuuma-/kylmäviive (ei välttämättä kuulu pakkaukseen)

Kun laturi tunnistaa liian kuuman tai kylmän akun, se käynnistää automaattisesti kuuma-/kylmäviiveen pysäyttäen latauksen, kunnes akku on saavuttanut oikean lämpötilan. Laturi siirtyy tämän jälkeen automaattisesti akun lataustilaan. Tämä toiminto takaa akun maksimaalisen käyttöiän. Kylmä akku latautuu hitaammin kuin lämmin akku. Akku latautuu hitaammin koko latausjakson ajan, sen latautumisnopeus ei palaudu nopeaksi, vaikka akku lämpenisi.

## Akun asentaminen ja poistaminen työkalusta (ei välttämättä kuulu pakkaukseen)

**Varoitus!** Ennen kuin yrität suorittaa mitään seuraavista toimenpiteistä, varmista, että työkalun virta on katkaistu, sähköpistoke on irrotettu sähköverkosta ja sahanterä on pysähtynyt.

### Akun asentaminen (kuva A)

- ◆ Aseta akku työkaluun kuvan A mukaisesti. Varmista, että akku on hyvin paikoillaan ja lukittu paikoilleen.
- ◆ Varmista, että akku on kokonaan paikoillaan ja lukittu paikoilleen.

### Akun irrottaminen (kuva B)

- ◆ Paina akun vapautuspainiketta kuvan B mukaisesti ja vedä akku irti työkalusta.

## Suurikokoisten paneelien kannattelu / työkappaleen kiinnittäminen (kuva C)

- ◆ Kannattele suuria paneeleita terän jumiuutumisen ja takaiskun vaaran minimoimiseksi. Suuret paneelit taipuvat usein notkolle omasta painostaan kuvan C mukaisesti.
- ◆ Aseta tuki levyn alle molemmin puolin lähelle leikkauslinjaa ja lähelle levyn reunaa (kuva C).
- ◆ Älä koskaan kannattele leikattavaa kappaletta käsin tai pidä sitä jalkojen päällä (kuva D).
- ◆ Kiinnitä työkappale tukevalle alustalle kuvan E mukaisesti. On tärkeää tukea työkappale oikein, jotta voitaisiin minimoida kehon vaarantuminen, terän juuttuminen kiinni tai hallinnan menettäminen.

## Leikkussyvyyden säätäminen - (kuvat F - G)

- ◆ Sahaussyvyys säädetään työkappaleen paksuuden mukaisesti.
- ◆ Löysää syvyyden säätönuppia (6) avataksesi sahausjalan (5) kuvan F mukaisesti.

- ◆ Siirrä sahausjalka haluamaasi asentoon. Lue leikkussyvyys asteikolta (12).
- ◆ Aseta sahan syvyys niin, että terän yksi hammas (10) näkyy työkappaleen (16) alapuolella kuvan G mukaisesti.
- ◆ Lukitse sahausjalka paikalleen kiristämällä nuppia.

## Viistokulman säätö - (kuva K)

Tämän koneen viistokulma voidaan säätää välille 0° - 50°

- ◆ Löysää viistokulman säätönuppia (14) avataksesi sahausjalan (5).
- ◆ Siirrä sahausjalka (5) haluamaasi asentoon. Lue viistokulma asteikolta (9).
- ◆ Lukitse sahausjalka paikalleen kiristämällä viistokulman säätönuppi (15).
- ◆ Vahvista asetuksen tarkkuus tarkistamalla koekappaleeseen suoritettua leikkauksen viistokulmaa.

## Kengän säätö 90°:een sahauskille

Kenkä (5) on asetettu tehtaalta niin, että terä on kohtisuorassa kenkään 0° viistokulmassa.

### JOS UDELLEENKOHDISTUS ON TARPEEN:

- ◆ Säädä saha 0°:een viistokulmaan.
- ◆ Vedä terän suojus (11) sisään.
- ◆ Löysää viistokulman säätönuppia (15). Laita nelikulmio terää (10) ja kenkää (5) vasten ja säädä 90°:een asetus.
- ◆ Löysää varmistusmutteria (16) ja siirrä säätöruuvia (19) (upotettu kuva H) niin, että kenkä pysähtyy oikeaan kulmaan. Kiristä varmistusmutteri uudelleen kenkää vasten pitäen säätöruuvia samalla paikoillaan.
- ◆ Vahvista asetuksen tarkkuus tarkistamalla koekappaleeseen suoritettua leikkauksen suoralukumaisuus.

## Terän kiinnittäminen ja irrottaminen (kuvat I - J)

- ◆ Vedä alasuojus sisään, asenna terä (10) ja kiinnityslevy (20) kuvan I mukaisesti.
- ◆ Paina karalukkoa (16) kääntämällä samalla terän pulttia (21) lukitusvälineellä (13), kunnes terän lukitus lukittuu ja terän kierto loppuu.

**Huomautus:** Pultissa on vasemmanpuoleiset kierteet. Löysää kiertämällä myötäpäivään. Kiristä kiertämällä vastapäivään.

**Huomautus:** Älä koskaan kytke terän lukitusta sahan käydessä tai yritä kytkeä sitä työkalun pysäyttämiseksi. Älä koskaan käynnistä työkalua, kun terän lukitus on kytketty. Saha voi vaurioitua vakavasti.

## Alempi teräsuojus

**Varoitus!** Leikkautumisvaara. Alempi teräsuojus on turvalaite, joka vähentää vakavan henkilövahingon vaaraa. Älä koskaan käytä sahaa, jos alasuojus puuttuu, on vaurioitunut, asennettu virheellisesti tai ei toimi oikein. Älä luota alemman teräsuojuksen suojaan kaikissa tilanteissa.

Turvallisuutesi riippuu seuraavien varoituksien ja varoitusten noudattamisesta sekä sahan oikeaoppisesta käytöstä. Tarkista terän alasuojuksen virheetön sulkeutuminen ennen jokaista käyttökertaa osion ”Pyörösahojen lisäturväsääntöjä” ohjeiden mukaisesti. Jos alempi teräsuojus puuttuu tai toimii virheellisesti, saha tulee huoltaa ennen sen käyttöä. Tuotteen turvallisuuden ja luotettavuuden takaamiseksi tuotteen korjaamisen, huollon ja säädön saa suorittaa valtuutettu huoltopalvelu tai muu pätevä huoltoorganisaatio samanlaisia varaosia käyttäen.

**Varoitus!** Käytä aina suojalaseja silmävamman minimoimiseksi. Työkappaleessa olevat vieraat esineet, kuten johdot tai naulat, voivat aiheuttaa terien halkeamisen tai rikkoutumisen. Käytä sahaa ainoastaan silloin, kun sahanterän suoja on paikoillaan. Asenna terä tiukasti kiertämällä ennen käyttämistä, ja käytä aina puhdasta ja terävää terää.

**Varoitus!** Henkilövahinkovaaran välttämiseksi työkappaletta on tuettava oikeaoppisesti ja sahaa on pidettävä tiukasti hallinnan menetyksen estämiseksi. Kuva E esittää tyyppillisen tavan tukea työkappaletta.

## Käyttö

**Varoitus!** Kaikki tärkeät varoitukset ja turvallisuusohjeet tulee lukea ja ymmärtää ennen työkalun käyttöä vakavien henkilövahinkojen välttämiseksi.

## Terän valitseminen

Pyörösaha on tarkoitettu käytettäväksi halkaisijaltaan 140 x 2 mm terillä, joiden sisäläpimita on 12,7 mm. Terien on oltava luokiteltu vähintään 7000 kierr./min käyttöön. ÄLÄ käytä hiomalaikkoja.

## Yleinen sahaaminen

**Varoitus!** Poista akku ja noudata kaikkia asennus-, säätö- ja asetusohjeita henkilövahinkojen välttämiseksi.

Varmista, että alasuojus toimii. Valitse oikea terä sahattavan materiaalin mukaan.

- ◆ Mittaa ja merkitse työkappale sahaamista varten.
- ◆ Kannattele työkappaletta ja kiinnitä se oikein (ks. turvallisuusohjeet).
- ◆ Käytä asianmukaisia ja vaadittuja turvavarusteita (ks. turvallisuusohjeet).
- ◆ Varmista työalueen turvallisuus ja hyvä työympäristö (ks. turvallisuusohjeet).
- ◆ Kun akku on paikoillaan, varmista sahan virtakytkimen toiminta.

## Kytkin

Tässä sahasassa on lukituskytkin työkalun tahattoman käytön estämiseksi.

- ◆ Käytä työkalua painamalla lukituksen vapautuspainike (2) alas sahan jommalta kummalta puolelta, pidä sitä alhaalla liipaisukytkintä (3) painaessa.

- ◆ Kun liipaisinta on painettu ja työkalu on käynnissä, vapauta lukituksen vapautuspainike.
- ◆ Työkalu toimii niin kauan kuin liipaisinta painetaan.
- ◆ Sammuta työkalu vapauttamalla liipaisukytkin.

**Huomautus:** Tässä työkalussa ei ole mahdollisuutta lukita työkalua päälle, eikä kytkintä saa lukita päälle millään muulla tavoin.

## Automaattinen sähköjarru

Sahasassa on terän sähköjarru, joka pysäyttää sahanterän 1–2 sekunnin kuluttua liipaisimen vapauttamisesta. Jarru toimii automaattisesti eikä sen säätö ole tarpeen.

## Sahaus

**Varoitus!** Työkalua on pidettävä aina molemmilla käsillä vakavien henkilövahinkojen välttämiseksi.

- ◆ Anna terän liikkua vapaasti muutaman sekunnin ajan, ennen kuin aloitat sahaamisen.
- ◆ Paina työkalua vain kevyesti, kun sahaat.
- ◆ Paina sahausjalkaa työkappaletta vasten.

## Vinkkejä parhaimman tuloksen saavuttamiseksi

- ◆ Työkappale voi lohkeilla sahattaessa. Sahaa siksi työkappale se puoli päällimmäisenä, joka saa lohkeilla.
- ◆ Jos lohkeilun pitää olla mahdollisimman vähäistä, esim. sahattaessa laminaattia, kiinnitä pala vaneria työkappaleen päälle.

## Taskuleikkaus (kuva K)

**Varoitus!** Älä koskaan sido teräsuojusta yläasentoon. Älä koskaan siirrä sahaa taaksepäin taskuleikkauksen aikana. Muutoin laite voi nousta pois työkappaleesta, jolloin on olemassa henkilövahinkovaara. Taskuleikkauksessa materiaalin reuna ei työnnä alasuojusta auki, vaan pyörivän terän alareuna leikkaa materiaalin keskiosaa.

- ◆ Säädä kenkää (5) niin, että terä leikkaa haluamaltasi syvyydeltä.
- ◆ Kallista sahaa eteenpäin ja ole leikattavan materiaalin kengän edessä.
- ◆ Vedä alempi teräsuojus yläasentoon taakse vedettävää vipua käyttäen. Laske kengän takaosaa, kunnes terän hampaat lähes koskettavat leikkauslinjaa.
- ◆ Vapauta terän suojuus (se koskettaa työkappaleeseen ja pysyy täten paikoillaan sen vapaata avaamista varten leikkauksen aloittamiseksi).
- ◆ Poista käsi suojuksen vivusta ja tartu lisäkahvaan (7) tiukasti kuvan N mukaisesti. Aseta keho ja käsivarsi niin, että voit vastata tarvittaessa mahdolliseen takaiskuun.
- ◆ Varmista, ettei terä kosketa leikkauspintaan ennen sahaamisen aloittamista.
- ◆ Käynnistä moottori, anna sahan saavuttaa täysi nopeus ja laske sitä sen jälkeen asteittain, kunnes sen kenkä on tasaisesti leikattavassa materiaalissa.



Vie sahaa leikkauslinjaa pitkin, kunnes leikkaus on suoritettu kuvan K mukaisesti.

- ◆ Vapauta liipaisin ja anna terän pysähtyä kokonaan ennen kuin poistat terän materiaalista.
- ◆ Toista yllä mainitut toimenpiteet jokaisen uuden leikkauksen kohdalla.

## Vianetsintä

Ongelma	Mahdollinen syy	Mahdollinen ratkaisu
Laite ei käynnisty.	Akkua ei ole asennettu oikein.	Tarkista akun asennus.
	Akku ei ole latautunut.	Tarkista akun latausvaatimukset.
Moottori pysähtyy kesken käytön.	Akkua ei ole asetettu laturiin.	Aseta akku laturiin, kunnes LED-valot syttyvät.
	Laturia ei ole kytketty pistorasiaan.	Kytke laturi pistorasiaan. Katso lisätietoa osiosta "Tärkeitä huomautuksia lataamiseen".
	Ympäristölämpötila on liian korkea tai liian alhainen.	Siirrä laturi ja akku ympäristöön, jonka lämpötila on yli 4,5 °C (40 °F) ja alle +40,5 °C (105 °F).
Laite sammuu äkkinäisesti.	Akun maksimilämpötila on saavutettu.	Anna akun jäähtyä.
	Ei virtaa. (Akun maksimaalista käyttöä varten akku sammuu tarkoituksella äkkinäisesti virran lopuessa).	Aseta laturiin ja anna latautua.

## Lisävarusteet

Työkalun suorituskyky riippuu käytetystä lisävarusteesta. Korkealaatuiset BLACK+DECKER-lisävarusteet on suunniteltu parantamaan työkalun suorituskykyä. Käyttämällä näitä lisävarusteita saat työkalustasi parhaan hyödyn.

## Huolto

Tämä työkalu on suunniteltu toimimaan mahdollisimman pitkän aikaa mahdollisimman vähällä huollolla. Oikea käsittely ja säännöllinen puhdistus varmistavat laitteen ongelmattoman toiminnan.

**Varoitus!** Katkaise koneesta virta ja irrota virtajohto pistorasista aina ennen huoltotoimenpiteitä.

- ◆ Puhdista laitteen ilma-aukot säännöllisesti pehmeällä harjalla tai kuivalla rievulla.
- ◆ Puhdista moottorikotelo säännöllisesti kostealla liinalla. Älä käytä hankaavia tai liuotinpohjaisia puhdistusaineita.

## Ympäristönsuojelu



Toimita tämä laite erilliskeräykseen. Tällä symbolilla merkityjä tuotteita ja akkuja ei saa hävittää tavallisen kotitalousjätteen mukana

Tuotteissa ja akuissa on materiaaleja, jotka voidaan ottaa talteen tai kierrättää uudelleen käyttöä varten.

Kierrätä sähkölaitteet ja akut paikallisten määräyksien mukaan. Lisätietoa on saatavilla osoitteessa [ww.2helpU.com](http://ww.2helpU.com)

## Tekniset tiedot

BDCCS18 H1		
Syöttöjännite	V <sub>dc</sub>	18
Kuormittamaton nopeus	min <sup>-1</sup>	3700 kierr./min
Suurin sahausvyvyys	mm	43
Suurin leikkuvyvyys 45° viistokulmalla	mm	35
Terän läpimitta	mm	140
Terän reikä	mm	12,7
Terän hampaan leveys	mm	2,0
Paino	kg	2,08

Laturi		905902**/ N4940**	905998**/ 906349**
Tulojännite	V <sub>AC</sub>	100-240	220-240
Lähtöjännite	V <sub>DC</sub>	8-20	8-20
Virta	mA	400	1000
Keskim. latausaika	Tuntia	3-11	1,5-5

Akku (jossa toimitetaan)		BL2018*	BL1518*	BL4018
Voltage	V <sub>DC</sub>	18	18	18
Capacity	Ah	2.0	1.5	4.0
Tyyppi		Li-Ion	Li-Ion	Li-Ion

L <sub>PA</sub> (äänenpaine) 76,0 dB(A), epävarmuus (K) 3 dB(A)
L <sub>WA</sub> (äänitehotaso) 87,0 dB(A), epävarmuus (K) 3 dB(A)
Tärinän kokonaisarvot (vektorisumma) standardin EN 62841 mukaisesti:
Leikkaessa puuta (a <sub>h,w</sub> ) 1,5 m/s <sup>2</sup> , epävarmuus (K) 1,5 m/s <sup>2</sup>

## EY-vaatimustenmukaisuusvakuutus KONEDIREKTIIVI



### BDCCS18 Pyörösaha

Black & Decker ilmoittaa, että tuotteet, jotka on kuvattu kohdassa Tekniset tiedot, täyttävät seuraavien direktiivien vaatimukset:

EN62841-1:2015, EN62841-2-5:2014.

Nämä tuotteet täyttävät myös direktiivien 2006/42/EC, 2014/30/EU ja 2011/65/EU vaatimukset. Lisätietoja saa ottamalla yhteyden Black & Deckeriin seuraavassa osoitteessa. Tiedot ovat myös käyttöohjeen takakannessa.

Allekirjoittanut vastaa teknisten tietojen kokoamisesta tehden tämän ilmoituksen Black & Deckerin puolesta.



A. P. Smith  
Technical Director  
Black & Decker Europe, 270 Bath Road, Slough,  
Berkshire, SL1 4DX  
Iso-Britannia  
30.4.2019

## Takuu

Black & Decker on vakuuttanut tuotteidensa korkeasta laadusta ja tarjoaa kuluttajille 24 kuukauden takuun, joka astuu voimaan ostopäivänä. Takuu on lisäys kuluttajan lailiisiin oikeuksiin eikä vaikuta niihin. Tämä takuu on voimassa kaikissa EU- ja ETA-maissa.

Edellytyksenä takuun saamiselle on, että vaade täyttää Black & Deckerin ehdot ja että ostaja toimittaa ostotositteen jälleenmyyjälle tai valtuutetulle huoltoilikkeelle. Black & Deckerin kahden vuoden takuun ehdot ja lähimmän valtuutetun korjauspalvelun yhteystiedot ovat saatavilla osoitteessa [www.2helpU.com](http://www.2helpU.com) tai ottamalla yhteyttä paikalliseen Black & Deckerin toimipisteeseen tässä ohjekirjassa ilmoitettuihin osoitteisiin.

Käy verkkosivuiltamme osoitteessa [www.blackanddecker.fi](http://www.blackanddecker.fi) ja rekisteröi uusi Black & Decker -tuotteesi saadaksesi tietoa uusista tuotteista ja erikoistarjouksista.

## Προβλεπόμενη χρήση

Το δισκοπρίονο BLACK+DECKER BDCCS18 έχει σχεδιαστεί για κοπή ξύλου και προϊόντων ξύλου. Αυτό το εργαλείο προορίζεται μόνο για καταναλωτική χρήση.

## Οδηγίες ασφαλείας

### Γενικές προειδοποιήσεις ασφαλείας για ηλεκτρικά εργαλεία



**Προειδοποίηση!** Διαβάστε όλες τις προειδοποιήσεις ασφαλείας και όλες τις οδηγίες, και μελετήστε τις απεικονίσεις και τις προδιαγραφές που συνοδεύουν αυτό το ηλεκτρικό εργαλείο. Η μη τήρηση των παρακάτω προειδοποιήσεων και οδηγιών μπορεί να προκαλέσει ηλεκτροπληξία, πυρκαγιά και/ή σοβαρές σωματικές βλάβες.

**Φυλάξτε όλες τις προειδοποιήσεις και τις οδηγίες για μελλοντική αναφορά.** Ο όρος "ηλεκτρικό εργαλείο" που χρησιμοποιείται σε όλες τις παρακάτω προειδοποιήσεις, αναφέρεται είτε σε εργαλείο που λειτουργεί με ρεύμα δικτύου (ρεύματος - με καλώδιο) είτε σε εργαλείο που λειτουργεί με μπαταρία (μπαταρίας - χωρίς καλώδιο).

## 1. Ασφάλεια χώρου εργασίας

- α. **Διατηρείτε το χώρο εργασίας καθαρό και καλά φωτισμένο.** Οι ατακτοποίητοι ή σκοτεινοί χώροι γίνονται αιτίες ατυχημάτων.
- β. **Μη χρησιμοποιείτε ηλεκτρικά εργαλεία σε περιβάλλον όπου υπάρχει κίνδυνος έκρηξης, όπως με παρουσία εύφλεκτων υγρών, αερίων ή σκόνης.** Τα ηλεκτρικά εργαλεία παράγουν σπινθήρες που μπορεί να προκαλέσουν ανάφλεξη της σκόνης ή των αναθυμιάσεων.
- γ. **Όταν χρησιμοποιείτε ηλεκτρικό εργαλείο, κρατάτε μακριά τα παιδιά και άλλα άτομα.** Παράγοντες που αποσπούν την προσοχή μπορεί να σας κάνουν να χάσετε τον έλεγχο.

## 2. Ασφαλής χρήση ηλεκτρικού ρεύματος

- α. **Τα φως των ηλεκτρικών εργαλείων πρέπει να ταιριάζουν στην πρίζα. Σε καμία περίπτωση μην τροποποιήσετε το φως, με κανένα τρόπο. Μη χρησιμοποιείτε φως προσαρμογής με γειωμένα ηλεκτρικά εργαλεία.** Τα φως που δεν έχουν υποστεί τροποποιήσεις και οι κατάλληλες πρίζες μειώνουν τον κίνδυνο ηλεκτροπληξίας.
- β. **Αποφεύγετε την επαφή του σώματός σας με γειωμένες επιφάνειες, όπως σωλήνες, καλοριφέρ, κουζίνες και ψυγεία.** Υπάρχει αυξημένος κίνδυνος ηλεκτροπληξίας αν το σώμα σας είναι γειωμένο.
- γ. **Μην εκθέτετε τα ηλεκτρικά εργαλεία σε βροχή ή υγρασία.** Η δειξίδωση νερού σε ένα ηλεκτρικό εργαλείο αυξάνει τον κίνδυνο ηλεκτροπληξίας.
- δ. **Μην κακομεταχειρίζεστε το καλώδιο. Ποτέ μη χρησιμοποιείτε το καλώδιο για να μεταφέρετε το ηλεκτρικό εργαλείο, να το τραβήξετε ή να το αποσυνδέσετε από την πρίζα. Κρατάτε το καλώδιο μακριά από θερμότητα, λάδια, αιχμηρά άκρα ή κινούμενα μέρη.** Τα καλώδια που έχουν υποστεί ζημιά ή είναι μπερδεμένα αυξάνουν τον κίνδυνο ηλεκτροπληξίας.
- ε. **Όταν χρησιμοποιείτε ηλεκτρικό εργαλείο σε εξωτερικούς χώρους, να χρησιμοποιείτε πάντοτε καλώδιο επέκτασης κατάλληλο για εργασία σε εξωτερικούς χώρους.** Η χρήση καλωδίου κατάλληλου για εργασία σε εξωτερικούς χώρους μειώνει τον κίνδυνο ηλεκτροπληξίας.
- στ. **Εάν είναι αναπόφευκτη η χρήση ενός ηλεκτρικού εργαλείου σε συνθήκες υγρασίας, χρησιμοποιήστε μια διάταξη προστασίας από ρεύμα διαρροής (RCD).** Η χρήση μιας διάταξης RCD μειώνει τον κίνδυνο ηλεκτροπληξίας.

## 3. Προσωπική ασφάλεια

- α. **Όταν χρησιμοποιείτε ηλεκτρικό εργαλείο, να είστε σε εγρήγορση, να συγκεντρώνετε στην εργασία που κάνετε και να επιστρατεύετε την κοινή λογική. Μη χρησιμοποιείτε ηλεκτρικό εργαλείο όταν είστε**

**κουρασμένος/η ή υπό την επίρεια ναρκωτικών, οινοπνεύματος ή φαρμακευτικής αγωγής.** Μια στιγμή απροσεξίας κατά τη χρήση ηλεκτρικών εργαλείων μπορεί να προκαλέσει σοβαρό τραυματισμό.

- β. Να χρησιμοποιείτε ατομικό εξοπλισμό προστασίας. Πάντα φοράτε προστασία ματιών.** Ο εξοπλισμός προστασίας, όπως μάσκα κατά της σκόνης, αντιολισθητικά παπούτσια ασφαλείας, κράνος ή προστασία ακοής, όταν χρησιμοποιείται για τις κατάλληλες συνθήκες, θα μειώσει τους τραυματισμούς και τις σωματικές βλάβες.
- γ. Αποτρέψτε την ακούσια ενεργοποίηση. Βεβαιωθείτε ότι ο διακόπτης βρίσκεται στη θέση απενεργοποίησης, πριν συνδέσετε το εργαλείο στην πηγή ρεύματος και/ή τοποθετήσετε το πακέτο μπαταρίας, καθώς και πριν πάρετε στα χέρια σας ή μεταφέρετε το εργαλείο.**  
Η μεταφορά ηλεκτρικών εργαλείων με το δάχτυλο πάνω στο διακόπτη ή η σύνδεση στο ρεύμα ηλεκτρικών εργαλείων με το διακόπτη στη θέση ενεργοποίησης, ενέχει κινδύνους ατυχημάτων.
- δ. Πριν θέσετε το ηλεκτρικό εργαλείο σε λειτουργία, αφαιρέστε τυχόν εργαλεία ή κλειδιά ρύθμισης.** Εάν αφήσετε ένα εργαλείο ή κλειδί πάνω σε κάποιο περιστρεφόμενο εξάρτημα του ηλεκτρικού εργαλείου, μπορεί να προκληθούν τραυματισμοί.
- ε. Μην τεντώνετε υπερβολικά. Διατηρείτε πάντα σταθερή στήριξη στα πόδια σας και καλή ισορροπία.** Έτσι μπορείτε να έχετε καλύτερο έλεγχο του ηλεκτρικού εργαλείου σε μη αναμενόμενες καταστάσεις.
- στ. Φοράτε κατάλληλη ενδυμασία εργασίας. Μη φοράτε φαρδιά ρούχα ούτε κοσμήματα. Κρατάτε τα μαλλιά, τα ρούχα και τα γάντια σας μακριά από κινούμενα μέρη.** Τα φαρδιά ρούχα, τα κοσμήματα και τα μακριά μαλλιά μπορούν να πιαστούν σε κινούμενα μέρη.
- ζ. Αν παρέχονται διατάξεις για τη σύνδεση συστημάτων απομάκρυνσης και συλλογής της σκόνης, βεβαιωθείτε ότι αυτές είναι συνδεδεμένες και χρησιμοποιούνται σωστά.** Η χρήση διατάξεων συλλογής της σκόνης μπορεί να μειώσει τους κινδύνους που προέρχονται από τη σκόνη.
- η. Μην αφήνετε την εξοικείωση που έχετε αποκτήσει από τη συχνή χρήση εργαλείων να σας επιτρέψει να εφησυχάσετε ώστε να αγνοείτε τις αρχές ασφαλούς χρήσης των εργαλείων.**  
Μια απρόσεκτη ενέργεια μπορεί να προκαλέσει βαρύ τραυματισμό μέσα σε κλάσματα του δευτερολέπτου.

#### 4. Χρήση και φροντίδα ηλεκτρικών εργαλείων

- α. Μην υπερφορτώνετε το ηλεκτρικό εργαλείο.** Χρησιμοποιείτε το σωστό ηλεκτρικό εργαλείο για την εφαρμογή σας.

Το σωστό ηλεκτρικό εργαλείο θα εκτελέσει την εργασία καλύτερα και ασφαλέστερα, με την ένταση χρήσης για την οποία σχεδιάστηκε.

- β. Μη χρησιμοποιήσετε το ηλεκτρικό εργαλείο αν ο διακόπτης του δεν μπορεί να το ενεργοποιεί και απενεργοποιεί.** Ένα ηλεκτρικό εργαλείο του οποίου η λειτουργία δεν μπορεί να ελεγχθεί με το διακόπτη είναι επικίνδυνο και πρέπει να επισκευαστεί.
- γ. Αποσυνδέστε το φως από την πηγή ρεύματος και/ή το πακέτο μπαταρίας από το ηλεκτρικό εργαλείο, πριν διεξαγάγετε οποιαδήποτε ρύθμιση, αλλαγή αξεσουάρ ή όταν πρόκειται να αποθηκεύσετε το ηλεκτρικό εργαλείο.** Τέτοια προληπτικά μέτρα ασφαλείας μειώνουν το κίνδυνο αβέλτητης εκκίνησης του ηλεκτρικού εργαλείου.
- δ. Να φυλάσσετε μακριά από παιδιά τα ηλεκτρικά εργαλεία που δεν χρησιμοποιείτε. Μην αφήνετε να χρησιμοποιήσουν ηλεκτρικό εργαλείο άτομα που δεν είναι εξοικειωμένα με αυτό ή άτομα που δεν έχουν διαβάσει αυτές τις οδηγίες χρήσης.** Τα ηλεκτρικά εργαλεία είναι επικίνδυνα στα χέρια μη εκπαιδευμένων χρηστών.
- ε. Συντηρείτε τα ηλεκτρικά εργαλεία και τα αξεσουάρ. Ελέγχετε για προβλήματα ευθυγράμμισης ή για μάγκωμα των κινούμενων εξαρτημάτων, θραύση εξαρτημάτων, καθώς και για οποιοδήποτε άλλο πρόβλημα μπορεί να επηρεάσει τη λειτουργία των ηλεκτρικών εργαλείων. Αν το ηλεκτρικό εργαλείο έχει υποστεί ζημιά, φροντίστε να επισκευαστεί πριν το χρησιμοποιήσετε.** Η ανεπαρκής συντήρηση των ηλεκτρικών εργαλείων αποτελεί αιτία πολλών ατυχημάτων.
- στ. Διατηρείτε τα κοπτικά εργαλεία κοφτερά και καθαρά.** Τα κοπτικά εργαλεία με κοφτερές κοπτικές αιχμές που συντηρούνται σωστά έχουν λιγότερες πιθανότητες να μαγκώσουν και ελέγχονται ευκολότερα.
- ζ. Να χρησιμοποιείτε το ηλεκτρικό εργαλείο, τα αξεσουάρ και τις μύτες του εργαλείου κλπ. σύμφωνα με τις παρούσες οδηγίες, λαμβάνοντας υπόψη σας τις συνθήκες εργασίας και την εργασία που θέλετε να εκτελέσετε.** Η χρήση του ηλεκτρικού εργαλείου για εργασίες διαφορετικές από τις προβλεπόμενες θα μπορούσε να οδηγήσει σε επικίνδυνη κατάσταση.
- η. Διατηρείτε τις λαβές και τις επιφάνειες κρατήματος στεγνές, καθαρές και απαλλαγμένες από λάδι και γράσο.** Οι ολισθηρές λαβές και επιφάνειες κρατήματος δεν επιτρέπουν τον ασφαλή χειρισμό και έλεγχο του εργαλείου σε μη αναμενόμενες καταστάσεις.

#### 5. Χρήση και φροντίδα εργαλείων μπαταρίας

- α. Να επαναφορτίζετε μόνο με το φορτιστή που καθορίζει ο κατασκευαστής.**

Ένας φορτιστής που είναι κατάλληλος για ένα τύπο πακέτου μπαταρίας μπορεί να δημιουργήσει κίνδυνο πυρκαγιάς όταν χρησιμοποιείται με άλλο πακέτο μπαταρίας.

- β. Χρησιμοποιείτε τα ηλεκτρικά εργαλεία αποκλειστικά και μόνο με τα ειδικά καθοριζόμενα πακέτα μπαταριών. Η χρήση άλλων πακέτων μπαταριών μπορεί να προκαλέσει κίνδυνο τραυματισμού και πυρκαγιάς.
- γ. Όταν το πακέτο μπαταρίας δεν χρησιμοποιείται, κρατάτε το μακριά από άλλα μεταλλικά αντικείμενα, όπως συνδετήρες, κέρματα, κλειδιά, καρφιά, βίδες ή άλλα μικρά μεταλλικά αντικείμενα που μπορούν να βραχυκυκλώσουν τους δύο ακροδέκτες του. Αν βραχυκυκλωθούν οι ακροδέκτες της μπαταρίας, μπορεί να προκληθούν εγκαύματα ή πυρκαγιά.
- δ. Αν οι μπαταρίες υποστούν κακομεταχείριση, μπορεί να διαρρεύσει υγρό. Αποφύγετε την επαφή. Αν κατά λάθος έρθετε σε επαφή, ξεπλύνετε με νερό. Σε περίπτωση που το υγρό έλθει σε επαφή με τα μάτια σας, ζητήστε επιπλέον και ιατρική βοήθεια. Το υγρό που εξέρχεται από την μπαταρία μπορεί να προκαλέσει ερεθισμό ή εγκαύματα.
- ε. Μη χρησιμοποιήσετε πακέτο μπαταρίας ή εργαλείο που έχει υποστεί ζημιά ή τροποποίηση. Οι μπαταρίες που έχουν υποστεί ζημιά ή τροποποίηση μπορεί να έχουν απρόβλεπτη συμπεριφορά, με αποτέλεσμα φωτιά, έκρηξη ή κίνδυνο τραυματισμού.
- στ. Μην εκθέσετε ένα πακέτο μπαταρίας ή εργαλείο σε φωτιά ή υπερβολική θερμοκρασία. Η έκθεση σε φωτιά ή σε θερμοκρασία πάνω από 129 °C μπορεί να προκαλέσει έκρηξη.
- ζ. Τηρείτε όλες τις οδηγίες φόρτισης και μη φορτίζετε το πακέτο μπαταρίας ή το εργαλείο εκτός των ορίων θερμοκρασίας που ορίζονται στις προδιαγραφές. Η ακατάλληλη φόρτιση ή η φόρτιση σε θερμοκρασίες εκτός των προβλεπόμενων ορίων μπορεί να προξενήσει ζημιά στην μπαταρία και να αυξήσει τον κίνδυνο φωτιάς.
6. Σέρβις
  - α. Το σέρβις του ηλεκτρικού σας εργαλείου πρέπει να αναλαμβάνει έμπειρος τεχνικός που θα χρησιμοποιεί μόνο γνήσια ανταλλακτικά. Έτσι θα εξασφαλίσετε τη διατήρηση της ασφάλειας του ηλεκτρικού εργαλείου.
  - β. Ποτέ μην κάνετε σέρβις σε πακέτα μπαταριών που έχουν υποστεί ζημιά. Το σέρβις των πακέτων μπαταριών πρέπει να γίνεται μόνο από τον κατασκευαστή ή από εξουσιοδοτημένους παρόχους σέρβις.

### Πρόσθετες προειδοποιήσεις ασφαλείας για ηλεκτρικά εργαλεία



**Προειδοποίηση!** Πρόσθετες προειδοποιήσεις ασφαλείας για όλα τα πριόνια

### Διαδικασίες κοπής



**Κρατάτε τα χέρια σας μακριά από την περιοχή κοπής και τη λεπίδα. Κρατάτε το δεύτερο χέρι σας πάνω στη βοηθητική λαβή ή στο περιβλήμα μοτέρ.** Αν και τα δύο σας χέρια κρατούν το πριόνι, δεν μπορούν να κοπούν από τη λεπίδα.

- ◆ Μην περνάτε κανένα μέρος του σώματός σας κάτω από το τεμάχιο εργασίας. Ο προφυλακτήρας δεν μπορεί να σας προστατεύσει από τη λεπίδα κάτω από το τεμάχιο εργασίας.
- ◆ Ρυθμίζετε το βάθος κοπής σύμφωνα με το πάχος του τεμαχίου εργασίας. Κάτω από το τεμάχιο εργασίας θα πρέπει να φαίνεται λιγότερο από ένα πλήρες δόντι της λεπίδας.
- ◆ Ποτέ μην κρατάτε το αντικείμενο που κόβετε με τα χέρια σας ή επάνω στα πόδια σας. Στερεώνετε το τεμάχιο εργασίας σε ένα σταθερό υπόβαθρο. Είναι σημαντικό να υποστηρίζετε σωστά το τεμάχιο εργασίας, για ελαχιστοποίηση της έκθεσης του σώματος, του μαγκώματος της λεπίδας ή της απώλειας ελέγχου.
- ◆ Κρατάτε το ηλεκτρικό εργαλείο μόνο από τις μονωμένες επιφάνειες συγκράτησης, όταν εκτελείτε κάποια εργασία κατά την οποία το εργαλείο κοπής μπορεί να έρθει σε επαφή με κρυμμένα καλώδια ή με το δικό του καλώδιο. Η επαφή με ένα καλώδιο υπό τάση θα θέσει και τα μεταλλικά μέρη του ηλεκτρικού εργαλείου υπό τάση και μπορεί να προκαλέσει ηλεκτροπληξία στο χειριστή.
- ◆ Κατά την παράλληλη κοπή να χρησιμοποιείτε πάντα έναν οδηγό κοπής ή έναν ευθύγραμμο οδηγό ακμής. Με τον τρόπο αυτό η κοπή είναι ακριβέστερη και ελαττώνεται η πιθανότητα να μαγκώσει η λεπίδα.
- ◆ Πάντα χρησιμοποιείτε λεπίδες με σωστό μέγεθος και σχήμα πών άξονα (σχήματος διαμαντιού ή κύκλου). Λεπίδες που δεν ταιριάζουν με τα υλικά στερέωσης στο πριόνι θα κινούνται εκτός κεντραρίσματος, προκαλώντας απώλεια ελέγχου.
- ◆ Ποτέ μη χρησιμοποιείτε ροδέλες ή μπουλόνι λεπίδας που έχουν υποστεί ζημιά ή είναι ακατάλληλα. Οι ροδέλες και το μπουλόνι της λεπίδας έχουν σχεδιαστεί ειδικά για το πριόνι σας, για βέλτιστη απόδοση και ασφάλεια λειτουργίας.

### Περαιτέρω οδηγίες ασφαλείας για όλα τα πριόνια

#### Αιτίες ανάδρασης και σχετικές προειδοποιήσεις

- ◆ ανάδραση είναι η απότομη αντίδραση σε λεπίδα πριονιού που έχει σφηνώσει, μαγκώσει ή ευθυγραμμιστεί λάθος, με αποτέλεσμα ανύψωση του πριονιού έξω από το τεμάχιο εργασίας προς την κατεύθυνση του χειριστή,

- ♦ όταν η λεπίδα έχει σφηνώσει ή μαγκώσει λόγω κλεισίματος της εντομής, η λεπίδα σταματά να περιστρέφεται και η αντίδραση του μωτέρ κατευθύνει τη μονάδα ταχύτητα προς τα πίσω στο χειριστή,
- ♦ αν η λεπίδα στραβώσει ή ευθυγραμμιστεί λάθος μέσα στην εντομή, τα δόντια στο πίσω άκρο της λεπίδας μπορεί να εισχωρήσουν στην πάνω επιφάνεια του ξύλου με αποτέλεσμα η λεπίδα να βγει από την εντομή και να αναπηδήσει πίσω προς το χειριστή

Η ανάδραση είναι το αποτέλεσμα της κακής χρήσης και/ή λανθασμένων πρακτικών ή συνθηκών χρήσης του πριονιού και μπορεί να αποφευχθεί με τη λήψη κατάλληλων προφυλάξεων όπως αυτές που αναφέρονται παρακάτω.

- ♦ **Κρατήστε το εργαλείο γερά και με τα δύο χέρια σας και τοποθετήστε τους βραχιόνες σας έτσι ώστε να αντιδρούν στις δυνάμεις του κλωστήματος. Τοποθετήστε το σώμα σας σε μία από τις δύο πλευρές του πριονιού, αλλά όχι σε ευθεία με τη λεπίδα.** Η ανάδραση θα μπορούσε να προκαλέσει αναπήδηση του πριονιού προς τα πίσω, αλλά οι δυνάμεις ανάδρασης μπορούν να ελεγχθούν από το χειριστή, αν ληφθούν κατάλληλα μέτρα προφύλαξης.
- ♦ **Όταν μπλοκάρει ο δίσκος, ή σε περίπτωση διακοπής της κοπής για οποιονδήποτε λόγο, αφήστε τη σκανδάλη και κρατήστε το δισκοπρίονο ακίνητο μέσα στο αντικείμενο μέχρι να σταματήσει τελείως ο δίσκος. Ποτέ μην επιχειρήσετε να αφαιρέσετε το πριόνι από το τεμάχιο εργασίας ή να τραβήξετε προς τα πίσω το πριόνι ενώ κινείται η λεπίδα, αλλιώς μπορεί να προκληθεί ανάδραση.** Διερευνήστε και πάρτε διορθωτικά μέτρα για να απαλείψετε το αίτιο του μαγκώματος της λεπίδας.
- ♦ **Όταν επανεκκινάτε τη λειτουργία ενός πριονιού μέσα στο τεμάχιο εργασίας, κεντράρετε τη λεπίδα πριονιού στην εντομή και ελέγξτε ότι τα δόντια του πριονιού δεν έχουν εισχωρήσει στο υλικό.** Αν η λεπίδα μαγκώνει, ενδέχεται να κινηθεί προς τα πάνω ή λόγω ανάδρασης έξω από το τεμάχιο εργασίας κατά την επανεκκίνηση του πριονιού.
- ♦ **Υποστηρίξτε μεγάλα φύλλα υλικού για να ελαχιστοποιήσετε τον κίνδυνο να σφηνώσει η λεπίδα και να προκληθεί ανάδραση.** Τα μεγάλα φύλλα υλικού έχουν την τάση να κάμπτονται από το ίδιο τους το βάρος. Υποστηρίγματα πρέπει να τοποθετούνται κάτω από το φύλλο και στις δύο πλευρές, κοντά στη γραμμή κοπής και κοντά στην άκρη του φύλλου.
- ♦ **Μη χρησιμοποιείτε σφηνωμένους ή κατεστραμμένους δίσκους.** Οι απρόχιστες ή ακατάλληλα ρυθμισμένες λεπίδες παράγουν στενή εντομή, η οποία προκαλεί υπερβολική τριβή, μάγκωμα της λεπίδας και ανάδραση.
- ♦ **Οι μοχλοί ασφάλισης ρύθμισης βάθους λεπίδας και φαλτογωνιάς πρέπει να είναι σφιγμένοι και καλά στερεωμένοι πριν κάνετε μια κοπή.**

Αν η ρύθμιση της λεπίδας αλλάξει κατά την κοπή, μπορεί να προκληθεί μάγκωμα και ανάδραση.

- ♦ **Να προσέχετε πάρα πολύ κατά την κοπή μέσα σε τοίχους ή άλλες επιφάνειες που δεν υπάρχουν ορατότητα.** Η προεξέχουσα λεπίδα μπορεί να κόψει αντικείμενα που μπορούν να προκαλέσουν ανάδραση.

### Λειτουργία κάτω προφυλακτήρα

- ♦ **Ελέγχετε πριν από κάθε χρήση ότι κλείνει σωστά ο κάτω προφυλακτήρας. Μη χρησιμοποιήσετε το πριόνι αν ο κάτω προφυλακτήρας δεν κινείται ελεύθερα και δεν κλείνει άμεσα. Ποτέ μη σσφιζείτε ή δέσετε τον κάτω προφυλακτήρα στην ανοικτή θέση.** Αν πέσει κατά λάθος το πριόνι, μπορεί να στραβώσει ο κάτω προφυλακτήρας. Ανυψώστε τον κάτω προφυλακτήρα με τη λαβή ανάσυρσης και βεβαιωθείτε ότι κινείται ελεύθερα και δεν έρχεται σε επαφή με τη λεπίδα ή οποιοδήποτε άλλο μέρος του εργαλείου, σε όλες τις γωνίες και όλα τα βάθη κοπής.
- ♦ **Ελέγξτε τη λειτουργία του ελατηρίου του κάτω προφυλακτήρα. Αν ο προφυλακτήρας και το ελατήριο δεν λειτουργούν σωστά, πρέπει να επισκευαστούν πριν τη χρήση.** Ο κάτω προφυλακτήρας μπορεί να λειτουργεί βραδυκίνητα λόγω ζημιάς σε εξαρτήματα, λόγω κολλωδών αποθέσεων ή συσσώρευσης υπολειμμάτων.
- ♦ **Ο κάτω προφυλακτήρας μπορεί να αποσύρεται χειροκίνητα μόνο για ειδικές κοπές όπως “κοπές με βύθισμα” και “σύνθετες κοπές”.** Ανυψώστε τον κάτω προφυλακτήρα από τη λαβή ανάσυρσης και μόλις η λεπίδα εισέλθει στο υλικό, ο κάτω προφυλακτήρας πρέπει να απελευθερωθεί. Για όλες τις άλλες κοπές, ο κάτω προφυλακτήρας θα πρέπει να λειτουργεί αυτόματα.
- ♦ **Πάντα να προσέχετε ο κάτω προφυλακτήρας να καλύπτει τη λεπίδα πριν αφήσετε το πριόνι στον πάγκο ή το δάπεδο.** Μια απροστάτευτη λεπίδα που περιστρέφεται μέχρι να σταματήσει, θα προκαλέσει οπισθοδρόμηση του πριονιού, που θα κόψει οτιδήποτε βρεθεί στην πορεία του. Να έχετε υπόψη σας το χρόνο που χρειάζεται για να σταματήσει η λεπίδα μετά την απελευθέρωσή του διακόπτη.

### Ασφάλεια τρίτων

Σε καμία περίπτωση μην επιτρέψετε σε παιδιά, σε άτομα με μειωμένες σωματικές, αισθητηριακές ή διανοητικές ικανότητες ή με έλλειψη εμπειρίας και γνώσης ή σε άτομα μη εξοικειωμένα με τις παρούσες οδηγίες, να χρησιμοποιήσουν το μηχάνημα, τοπικοί κανονισμοί μπορεί να θέτουν όρια στην ηλικία του χειριστή.

## Υπολειπόμενοι κίνδυνοι

Κατά τη χρήση του εργαλείου μπορεί να δημιουργηθούν πρόσθετοι υπολειπόμενοι κίνδυνοι, οι οποίοι ενδέχεται να μη συμπεριλαμβάνονται στις προειδοποιήσεις ασφαλείας που εσωκλείονται. Αυτοί οι κίνδυνοι μπορεί να προκληθούν από κακή χρήση, παρατεταμένη χρήση κλπ.

Παρά την εφαρμογή των σχετικών κανονισμών ασφαλείας και τη χρήση διατάξεων ασφαλείας, ορισμένοι υπολειπόμενοι κίνδυνοι δεν είναι δυνατό να αποφευχθούν. Αυτοί περιλαμβάνουν:

- ♦ Τραυματισμούς από την επαφή με οποιαδήποτε περιστρεφόμενα/κινούμενα μέρη.
- ♦ Τραυματισμούς από αλλαγή οποιωνδήποτε εξαρτημάτων, λεπίδων ή αξεσουάρ.
- ♦ Τραυματισμούς από παρατεταμένη χρήση του εργαλείου. Όταν χρησιμοποιείτε οποιοδήποτε εργαλείο για παρατεταμένα χρονικά διαστήματα, μην παραλείπετε με κανένα τρόπο να κάνετε τακτικά διαλείμματα.
- ♦ Βλάβη της ακοής.
- ♦ Κινδύνους για την υγεία λόγω εισπνοής σκόνης που αναπτύσσεται κατά τη χρήση του εργαλείου (παράδειγμα:- εργασία με ξύλο, ειδικά βελανιδιά, οξιά και MDF.)

## Κραδασμοί

Η δηλωμένη τιμή εκπομπής κραδασμών που αναφέρεται στα τεχνικά χαρακτηριστικά και τη δήλωση συμμόρφωσης έχει μετρηθεί σύμφωνα με τυποποιημένη μέθοδο δοκιμής που προβλέπεται από το πρότυπο EN62841 και μπορεί να χρησιμοποιηθεί για τη σύγκριση ενός εργαλείου με ένα άλλο. Η δηλωμένη τιμή εκπομπής κραδασμών μπορεί επίσης να χρησιμοποιηθεί σε έναν προκαταρκτικό προσδιορισμό της έκθεσης σε κραδασμούς.

**Προειδοποίηση!** Στην πράξη, η τιμή εκπομπής κραδασμών κατά την χρήση του ηλεκτρικού εργαλείου μπορεί να διαφέρει από την τιμή που δηλώθηκε, ανάλογα με τον τρόπο που χρησιμοποιείται το εργαλείο. Το επίπεδο κραδασμών μπορεί να αυξηθεί πάνω από το επίπεδο που έχει δηλωθεί.

Κατά τον προσδιορισμό της έκθεσης σε κραδασμούς για τον καθορισμό των απαιτούμενων μέτρων ασφαλείας σύμφωνα με την οδηγία 2002/44/EK για την προστασία προσώπων που χρησιμοποιούν συχνά ηλεκτρικά εργαλεία στην εργασία τους, μια προσεγγιστική εκτίμηση της έκθεσης σε κραδασμούς πρέπει να λαμβάνει υπόψη τις πραγματικές συνθήκες χρήσης και τον τρόπο χρήσης του εργαλείου, συμπεριλαμβανομένων και όλων των επιμέρους τμημάτων του κύκλου εργασίας, όπως τα χρονικά διαστήματα που το εργαλείο ήταν εκτός λειτουργίας και τα διαστήματα λειτουργίας χωρίς φορτίο, επιπλέον του χρόνου πίεσης της σκανδάλης.

## Ετικέτες πάνω στο εργαλείο

Το εργαλείο φέρει τα παρακάτω εικονογράμματα μαζί με τον κωδικό ημερομηνίας:



**Προειδοποίηση!** Για να μειωθεί ο κίνδυνος τραυματισμού, ο χρήστης πρέπει να διαβάσει το εγχειρίδιο οδηγιών.

## Πρόσθετες οδηγίες ασφαλείας για μπαταρίες και φορτιστές (ίσως δεν περιλαμβάνονται)

### Μπαταρίες (ίσως δεν περιλαμβάνονται)

- ♦ Ποτέ μην επιχειρήσετε να ανοίξετε το προϊόν για κανένα λόγο.
- ♦ Μην εκθέτετε την μπαταρία σε νερό.
- ♦ Μην αποθηκεύετε σε τοποθεσίες όπου η θερμοκρασία ενδέχεται να υπερβαίνει τους 40 °C.
- ♦ Να φορτίζετε μόνο σε θερμοκρασίες περιβάλλοντος μεταξύ 10 °C και 40 °C.
- ♦ Να φορτίζετε μόνο με τη χρήση του φορτιστή που παρέχεται με το εργαλείο.
- ♦ Κατά την απόρριψη των μπαταριών, να ακολουθείτε τις οδηγίες που παρέχονται στην ενότητα "Προστασία του περιβάλλοντος".

### Φορτιστές (ίσως δεν περιλαμβάνονται)

- ♦ Ο φορτιστής BLACK+DECKER πρέπει να χρησιμοποιείται αποκλειστικά και μόνο για τη φόρτιση της μπαταρίας του εργαλείου το οποίο συνοδεύει. Άλλες μπαταρίες ενδέχεται να εκραγούν, προκαλώντας τραυματισμό ατόμων και ζημιές.
- ♦ Μην επιχειρήσετε ποτέ να φορτίσετε μη επαναφορτιζόμενες μπαταρίες.
- ♦ Αν κάποιο καλώδιο φθαρεί, αντικαταστήστε το αμέσως.
- ♦ Μην εκθέτετε το φορτιστή σε νερό.
- ♦ Μην ανοίγετε το φορτιστή.
- ♦ Μην εισάγετε οποιαδήποτε αντικείμενα μέσα στο φορτιστή.



Ο φορτιστής προορίζεται για χρήση μόνο σε εσωτερικούς χώρους.



Διαβάστε το εγχειρίδιο οδηγιών πριν τη χρήση.

## Ασφαλής χρήση ηλεκτρικού ρεύματος



Ο φορτιστής σας φέρει διπλή μόνωση. Επομένως, δεν απαιτείται αγωγός γείωσης. Ελέγχετε πάντα ότι η τάση ρεύματος δικτύου συμφωνεί με αυτήν που αναγράφεται στην πινακίδα τεχνικών χαρακτηριστικών. Ποτέ μην επιχειρήσετε να αντικαταστήσετε τη μονάδα φορτιστή με κανονικό φως ρεύματος δικτύου.

- ♦ Αν το καλώδιο ρεύματος έχει υποστεί ζημιά, πρέπει να αντικατασταθεί από τον κατασκευαστή ή εξουσιοδοτημένο κέντρο BLACK+DECKER, για την αποφυγή κινδύνου.

## Χαρακτηριστικά

Αυτό το εργαλείο διαθέτει μερικά από ή όλα τα παρακάτω χαρακτηριστικά.

1. Κύρια λαβή
2. Κουμπί ασφάλισης
3. Σκανδάλη ενεργοποίησης/ απενεργοποίησης (on/off)
4. Μπαταρία (ίσως δεν περιλαμβάνεται)
5. Πέδιλο
6. Κουμπί ρύθμισης βάθους
7. Δευτερεύουσα λαβή
8. Επάνω προστατευτικό
9. Κλίμακα ρύθμισης φалτσογωνιάς
10. Λεπίδα
11. Κάτω προφυλακτήρας λεπίδας
12. Κλίμακα ρύθμισης βάθους
13. Εργαλείο ασφάλισης
14. Θύρα εξαγωγής σκόνης
15. Κουμπί ρύθμισης φалтσογωνιάς
16. Ασφάλεια άξονα

## Διαδικασία φόρτισης (ίσως δεν περιλαμβάνεται)

Οι φορτιστές BLACK+DECKER έχουν σχεδιαστεί να φορτίζουν πακέτα μπαταριών BLACK+DECKER.

- ◆ Συνδέστε το φορτιστή σε κατάλληλη πρίζα πριν εισάγετε το πακέτο μπαταρίας.
- ◆ Εισάγετε το πακέτο μπαταρίας στο φορτιστή.
- ◆ Η πράσινη λυχνία LED θα αναβοσβήνει υποδεικνύοντας ότι η μπαταρία φορτίζεται.
- ◆ Η ολοκλήρωση της φόρτισης υποδεικνύεται όταν η πράσινη φωτεινή ένδειξη παραμένει αναμμένη συνεχώς. Το πακέτο μπαταρίας είναι πλήρως φορτισμένο και μπορεί να χρησιμοποιηθεί άμεσα ή να παραμείνει στο φορτιστή.

**Σημείωση:** Επαναφορτίστε τις αποφορτισμένες μπαταρίες το συντομότερο δυνατόν μετά τη χρήση τους, διαφορετικά μπορεί να μειωθεί πολύ η διάρκεια ζωής τους. Για τη μέγιστη διάρκεια ζωής των μπαταριών, μην τις αποφορτίζετε πλήρως. Συνιστάται να επαναφορτίζετε τις μπαταρίες μετά από κάθε χρήση.

## Παραμονή της μπαταρίας μέσα στο φορτιστή (ίσως δεν περιλαμβάνεται)

Ο φορτιστής και το πακέτο μπαταρίας μπορούν να παραμείνουν σε σύνδεση, με τη λυχνία LED αναμμένη, επ' αόριστον. Ο φορτιστής θα διατηρήσει το πακέτο μπαταρίας σε βέλτιστη κατάσταση και πλήρως φορτισμένο.

## Σημαντικές παρατηρήσεις για τη φόρτιση (ίσως δεν περιλαμβάνεται)

- ◆ Η μέγιστη διάρκεια ζωής και η βέλτιστη απόδοση μπορούν να επιτευχθούν αν το πακέτο μπαταρίας φορτίζεται όταν η θερμοκρασία περιβάλλοντος είναι μεταξύ 18 °C και 24 °C (65 °F έως 75 °F). ΜΗ φορτίζετε το πακέτο μπαταρίας σε θερμοκρασία περιβάλλοντος κάτω από +4,5 °C (+40 °F) ή πάνω από +40,5 °C (+105 °F). Αυτό είναι σημαντικό και θα αποτρέψει σοβαρή ζημιά στο πακέτο μπαταρίας.
- ◆ Ο φορτιστής και το πακέτο μπαταρίας μπορεί να θερμανθούν κατά τη φόρτιση. Αυτό είναι κανονικό φαινόμενο και όχι ένδειξη προβλήματος. Για να διευκολύνετε την ψύξη του πακέτου μπαταρίας μετά τη χρήση, αποφεύγετε να τοποθετείτε το φορτιστή ή το πακέτο μπαταρίας σε θερμό περιβάλλον, όπως σε μεταλλικό παράπηγμα ή σε μη μονωμένο τρέιλερ.
- ◆ Αν το πακέτο μπαταρίας δεν φορτίζεται σωστά:
  - ◆ Ελέγξτε το ρεύμα στην πρίζα συνδέοντας ένα φωτιστικό ή άλλη ηλεκτρική συσκευή.
  - ◆ Ελέγξτε μήπως η πρίζα συνδέεται σε διακόπτη φώτων που διακόπτει το ρεύμα όταν σβήνετε τα φώτα.
  - ◆ Μετακινήστε το φορτιστή και το πακέτο μπαταρίας σε θέση όπου η θερμοκρασία αέρα περιβάλλοντος είναι περίπου 18 °C - 24 °C (65 °F - 75 °F).
  - ◆ Αν τα προβλήματα φόρτισης επιμένουν, παραδώστε τη συσκευή, το πακέτο μπαταρίας και το φορτιστή στο τοπικό σας κέντρο σέρβις.
- ◆ Το πακέτο μπαταρίας πρέπει να επαναφορτίζεται όταν δεν είναι σε θέση να παράγει επαρκή ισχύ σε εργασίες που γίνοντουσαν εύκολα πιο πριν. ΜΗ ΣΥΝΕΧΙΣΕΤΕ τη χρήση υπό αυτές τις συνθήκες. Ακολουθήστε τη διαδικασία φόρτισης. Μπορείτε επίσης να φορτίσετε όποτε επιθυμείτε ένα πακέτο μπαταρίας που δεν έχει εξαντληθεί πλήρως, χωρίς αυτό να έχει αρνητικές συνέπειες στο πακέτο μπαταρίας.
- ◆ Τα ξένα υλικά με αγώγιμες ιδιότητες, όπως είναι, αλλά χωρίς περιορισμό σε αυτά, το σύρμα τριψίματος, το αλουμινοχάρτο ή οποιαδήποτε συσσώρευση μεταλλικών σωματιδίων, θα πρέπει να διατηρούνται μακριά από τις κοιλότητες του φορτιστή. Πάντα αποσυνδέετε το φορτιστή από την παροχή ρεύματος όταν δεν υπάρχει πακέτο μπαταρίας στην κοιλότητα. Αποσυνδέετε το φορτιστή από την πρίζα πριν επιχειρήσετε να τον καθαρίσετε.
- ◆ Μην παγώνετε ή βυθίζετε το φορτιστή σε νερό ή οποιοδήποτε άλλο υγρό.

**Προειδοποίηση!** Μην επιτρέψετε να εισέλθει οποιοδήποτε υγρό μέσα στο φορτιστή. Ποτέ μην επιχειρήσετε να ανοίξετε το πακέτο μπαταρίας για οποιοδήποτε λόγο. Αν το πλαστικό περίβλημα του πακέτου μπαταρίας σπάσει ή ραγίσει, επιτρέψτε το πακέτο σε κέντρο σέρβις για ανακύκλωση.

### Ένδειξη προβλήματος μπαταρίας (ίσως δεν περιλαμβάνεται)

Αν δείτε αυτό το μοτίβο αναλαμπών που αντιστοιχεί σε προβληματική μπαταρία, μη συνεχίσετε τη φόρτιση της μπαταρίας. Επιστρέψτε την σε κέντρο σέρβις ή σε θέση συλλογής για ανακύκλωση.

### Λειτουργία καθυστέρησης θερμού/ψυχρού πακέτου (ίσως δεν περιλαμβάνεται)

Όταν ο φορτιστής ανιχνεύσει ένα πολύ θερμό ή πολύ ψυχρό πακέτο μπαταρίας, ξεκινά αυτόματα μια Καθυστέρηση θερμού/ψυχρού πακέτου μπαταρίας, και η φόρτιση αναστέλλεται έως ότου το πακέτο μπαταρίας έχει φθάσει σε κατάλληλη θερμοκρασία. Κατόπιν, ο φορτιστής αρχίζει αυτόματα τη φόρτιση του πακέτου. Αυτή η λειτουργία διασφαλίζει τη μέγιστη διάρκεια ζωής του πακέτου μπαταρίας. Ένα κρύο πακέτο μπαταρίας θα φορτίζεται πιο αργά από ένα θερμό πακέτο μπαταρίας. Το πακέτο θα φορτιστεί με αυτή τη μικρότερη ταχύτητα σε όλη τον κύκλο φόρτισης και δεν θα επιστρέψει στη μέγιστη ταχύτητα φόρτισης ακόμα και αν το πακέτο ζεσταθεί.

### Τοποθέτηση και αφαίρεση του πακέτου μπαταρίας από το εργαλείο (ίσως δεν περιλαμβάνεται)

**Προειδοποίηση!** Πριν επιχειρήσετε κάποια από αυτές τις εργασίες, βεβαιωθείτε ότι εργαλείο είναι απενεργοποιημένο και αποσυνδεδεμένο από την πρίζα και ότι η λεπίδα πριονιού έχει σταματήσει να κινείται.

#### Για τοποθέτηση του πακέτου μπαταρίας (εικ. Α)

- ◆ Εισάγετε το πακέτο μπαταρίας στο εργαλείο όπως δείχνει η εικόνα Α. Βεβαιωθείτε ότι το πακέτο μπαταρίας έχει εδράσει πλήρως και έχει ασφαλίσει πλήρως στη θέση του.
- ◆ Βεβαιωθείτε ότι το πακέτο μπαταρίας έχει εδράσει πλήρως και έχει ασφαλίσει πλήρως στη θέση του.

#### Για αφαίρεση του πακέτου μπαταρίας (εικ. Α)

- ◆ Πατήστε το κουμπί απελευθέρωσης της μπαταρίας όπως δείχνει η εικόνα Β και τραβήξτε το πακέτο μπαταρίας έξω από το εργαλείο.

### Υποστήριξη μεγάλων φύλλων/Στερέωση τεμαχίου εργασίας (εικ. C)

- ◆ Υποστηρίξτε μεγάλα φύλλα υλικού για να ελαχιστοποιήσετε τον κίνδυνο να σφηνώσει η λεπίδα και να προκληθεί ανάδραση. Τα μεγάλα φύλλα υλικού έχουν την τάση να κάμπτονται από το ίδιο τους το βάρος, όπως δείχνει η εικόνα C.
- ◆ Υποστηρίγματα πρέπει να τοποθετούνται κάτω από το φύλλο και στις δύο πλευρές, κοντά στη γραμμή κοπής και κοντά στην άκρη του φύλλου, εικόνα C.

- ◆ Ποτέ μην κρατάτε με τα χέρια σας ή πάνω στα πόδια σας το αντικείμενο που κόβετε, εικόνα D.
- ◆ Στερεώστε το τεμάχιο εργασίας σε μια σταθερή επιφάνεια όπως δείχνει η εικόνα E. Είναι σημαντικό να υποστηρίζετε σωστά το τεμάχιο εργασίας, για ελαχιστοποίηση της έκθεσης του σώματος και των πιθανοτήτων μαγκώματος της λεπίδας ή απώλειας ελέγχου.

### Ρύθμιση βάθους κοπής - (εικ. F - G)

- ◆ Το βάθος κοπής θα πρέπει να ρυθμίζεται ανάλογα με το πάχος του τεμαχίου εργασίας.
- ◆ Λασκάρετε το κουμπί ρύθμισης βάθους (6) για να απασφαλίσετε το πέδιλο πριονιού (5) όπως δείχνει η εικόνα F.
- ◆ Μετακινήστε το πέδιλο πριονιού στην επιθυμητή θέση. Το αντίστοιχο βάθος κοπής μπορεί να διαβαστεί στην κλίμακα (12).
- ◆ Προσαρμόστε τη ρύθμιση βάθους του πριονιού έτσι ώστε ένα δόντι (10) της λεπίδας να προεξέχει κάτω από το τεμάχιο εργασίας (16) όπως δείχνει η εικόνα G.
- ◆ Σφίξτε το κουμπί για να ασφαλίσετε το πέλιμα του πριονιού στη θέση του.

### Ρύθμιση φαλτσογωνιάς - (εικ. F)

Το εργαλείο αυτό μπορεί να ρυθμιστεί για φαλτσογωνιάς μεταξύ 0° και 50°

- ◆ Λασκάρετε το κουμπί ρύθμισης φαλτσογωνιάς (14) για να απασφαλίσετε το πέδιλο πριονιού (5).
- ◆ Μετακινήστε το πέδιλο πριονιού (5) στην επιθυμητή θέση. Μπορείτε να διαβάσετε την αντίστοιχη φαλτσογωνιά στην κλίμακα (9).
- ◆ Σφίξτε το κουμπί ρύθμισης φαλτσογωνιάς (15) για να ασφαλίσετε το πέδιλο πριονιού στη θέση του.
- ◆ Επιβεβαιώστε την ακρίβεια της ρύθμισης ελέγχοντας τη φαλτσογωνιά στην πράξη κόβοντας ένα άχρηστο κομμάτι υλικού.

### Ρύθμιση του πέδιλου για κοπές 90°

Το πέδιλο (5) έχει ρυθμιστεί εργοστασιακά ώστε να διασφαλίζεται ότι η λεπίδα είναι κάθετη στο πέδιλο στη ρύθμιση φαλτσογωνιάς 0°.

ΑΝ ΧΡΕΙΑΖΕΤΑΙ ΝΕΑ ΕΥΘΥΓΡΑΜΜΙΣΗ:

- ◆ Ρυθμίστε το πριόνι σε φαλτσογωνιά 0°.
- ◆ Ανασύρτε τον προφυλακτήρα λεπίδας (11).
- ◆ Λασκάρτε το κουμπί ρύθμισης φαλτσογωνιάς (15). Τοποθετήστε μια γωνία σε επαφή με τη λεπίδα (10) και το πέδιλο (5) για να επιτύχετε τη ρύθμιση 90°.
- ◆ Λασκάρτε το παξιμάδι ασφάλισης (16) και μετακινήστε τη βίδα ρύθμισης (19) (ένθετο στην εικόνα Η) έτσι ώστε το πέδιλο να σταματήσει στη σωστή γωνία. Σφίξτε πάλι το παξιμάδι ασφάλισης πάνω στο πέδιλο ενώ συγκρατείτε στη θέση της τη βίδα ρύθμισης.



- ◆ Επιβεβαιώστε την ακρίβεια της ρύθμισης ελέγχοντας την καθετότητα της κοπής στην πράξη χρησιμοποιώντας ένα άχρηστο κομμάτι υλικού.

### Τοποθέτηση και αφαίρεση της λεπίδας (εικ. Ι - J)

- ◆ Ανασύρετε τον κάτω προφυλακτήρα και τοποθετήστε τη λεπίδα (10) και τη ροδέλα σύσφιξης (20) όπως δείχνει η εικόνα Ι.
- ◆ Πιέστε την ασφάλιση άξονα (16) ενώ περιστρέψετε τον κοχλία της λεπίδας (21) με το εργαλείο ασφάλισης (13) έως ότου συμπλεχτεί η ασφάλιση της λεπίδας και σταματήσει να περιστρέφεται η λεπίδα.

**Σημείωση:** Ο κοχλίας έχει αριστερόστροφο σπείρωμα. Για να τον λασκάρτε, περιστρέψτε τον δεξιόστροφο. Για να τον σφίξετε, περιστρέψτε τον αριστερόστροφο.

**Σημείωση:** Ποτέ μη συμπλέκετε την ασφάλιση άξονα ενώ το πριόνι βρίσκεται σε λειτουργία και μην τη συμπλέκετε για να σταματήσετε το εργαλείο. Ποτέ μην ενεργοποιείτε το εργαλείο ενώ είναι συμπλεγμένη η ασφάλιση άξονα. Θα προκληθεί σοβαρή ζημιά στο πριόνι σας.

### ΚΑΤΩ ΠΡΟΦΥΛΑΚΤΗΡΑΣ ΛΕΠΙΔΑΣ

**Προειδοποίηση!** Κίνδυνος κοψιμάτων. Ο κάτω προφυλακτήρας λεπίδας είναι ένα χαρακτηριστικό ασφαλείας με το οποίο μειώνεται ο κίνδυνος σοβαρού τραυματισμού. Σε καμία περίπτωση μη χρησιμοποιήσετε το πριόνι αν ο κάτω προφυλακτήρας λείπει, έχει υποστεί ζημιά, αν δεν έχει συναρμολογηθεί σωστά ή αν δεν λειτουργεί σωστά. Μη βασίζεστε στον κάτω προφυλακτήρα λεπίδας για προστασία σας υπό κάθε συνθήκη.

Η ασφάλειά σας εξαρτάται από την τήρηση όλων των προειδοποιήσεων και των προφυλάξεων καθώς και από το σωστό χειρισμό του πριονιού. Ελέγχετε ότι ο κάτω προφυλακτήρας έχει κλείσει σωστά πριν από κάθε χρήση, όπως περιγράφεται στο τμήμα Πρόσθετοι κανόνες ασφαλείας για δισκοπρίονα. Αν ο κάτω προφυλακτήρας της λεπίδας λείπει ή δεν λειτουργεί σωστά, δώστε το πριόνι για σέρβις πριν τη χρήση του. Για να διασφαλίσετε την ασφάλεια και την αξιοπιστία του πριονιού, οι εργασίες επισκευής, συντήρησης και ρύθμισης θα πρέπει να εκτελούνται από εξουσιοδοτημένο κέντρο σέρβις ή άλλο εξειδικευμένο οργανισμό σέρβις, με χρήση πάντα ακριβώς ίδιων ανταλλακτικών με τα εξαρτήματα που αντικαθίστανται.

**Προειδοποίηση!** Για να ελαχιστοποιήσετε τον κίνδυνο τραυματισμού των ματιών, χρησιμοποιείτε πάντα μέσα προστασίας των ματιών. Ξένα αντικείμενα μέσα στο τεμάχιο εργασίας όπως σύρμα ή καρφιά μπορούν να προκαλέσουν ράγισμα ή θραύση των μυτιών της λεπίδας. Χρησιμοποιείτε το πριόνι μόνον όταν έχει τοποθετηθεί κατάλληλος προφυλακτήρας στη λεπίδα πριονιού. Στερεώνετε τη λεπίδα σταθερά με την κατάλληλη φορά περιστροφής πριν τη χρήση και πάντα χρησιμοποιείτε μια καθαρή, αιχμηρή λεπίδα.

**Προειδοποίηση!** Για να μειώσετε τον κίνδυνο τραυματισμού, είναι σημαντικά να υποστηρίζετε σωστά το τεμάχιο εργασίας και να κρατάτε το πριόνι σταθερά, για να αποτρέψετε απώλεια του ελέγχου που θα μπορούσε να προκαλέσει τραυματισμό. Η εικόνα Ε δείχνει τυπική στήριξη με τα χέρια.

### Χρήση

**Προειδοποίηση!** Για να μειώσετε τον κίνδυνο τραυματισμού, διαβάστε, κατανοήστε και ακολουθήστε όλες τις σημαντικές προειδοποιήσεις και οδηγίες ασφαλείας πριν από τη χρήση του εργαλείου.

### Επιλογή λεπίδας

Το δισκοπρίονο αυτό έχει σχεδιαστεί για χρήση με λεπίδες διαμέτρου 140 x 2 mm που έχουν οπή διαμέτρου 12,7 mm. Οι λεπίδες πρέπει να είναι διαβαθμισμένες για λειτουργία σε 7000 σ.α.λ. (ή υψηλότερες στροφές). ΜΗ χρησιμοποιήσετε σε καμία περίπτωση τροχούς λείανσης.

### Γενικές κοπές

**Προειδοποίηση!** Για να μειώσετε τον κίνδυνο τραυματισμού, αφαιρέστε την μπαταρία και τηρείτε όλες τις οδηγίες συναρμολόγησης, ρύθμισης και τοποθέτησης.

Βεβαιωθείτε ότι ο κάτω προφυλακτήρας λειτουργεί. Επιλέξτε την κατάλληλη λεπίδα για το υλικό που πρόκειται να κόψετε.

- ◆ Μετρήστε και σημαδέψτε το τεμάχιο εργασίας που πρόκειται να κόψετε.
- ◆ Υποστηρίξτε και στερεώστε σωστά το τεμάχιο εργασίας (βλ. Κανόνες και οδηγίες ασφαλείας).
- ◆ Χρησιμοποιείτε τον κατάλληλο και απαιτούμενο εξοπλισμό ασφαλείας (βλ. Κανόνες ασφαλείας).
- ◆ Προστατεύετε και διατηρείτε σε καλή κατάσταση την περιοχή εργασίας (βλ. Κανόνες ασφαλείας).
- ◆ Με την μπαταρία τοποθετημένη, βεβαιωθείτε ότι ο διακόπτης ενεργοποιεί και απενεργοποιεί το πριόνι.

### Διακόπτης

Το πριόνι διαθέτει λειτουργία ασφάλισης για την αποτροπή ακούσιας ενεργοποίησης.

- ◆ Για να χρησιμοποιήσετε το εργαλείο πιέστε μέσα το κουμπι ασφάλισης (2) από οποιαδήποτε πλευρά του πριονιού και κρατήστε το πατημένο καθώς πατάτε το διακόπτη σκανδάλης (3).
- ◆ Αφού πατήσετε τη σκανδάλη και το εργαλείο είναι σε λειτουργία, ελευθερώστε το κουμπι ασφάλισης.
- ◆ Το εργαλείο θα συνεχίσει να λειτουργεί όσο κρατάτε πατημένη τη σκανδάλη.
- ◆ Για να απενεργοποιήσετε το εργαλείο, ελευθερώστε το διακόπτη σκανδάλης.

**Σημείωση:** Το εργαλείο αυτό δεν έχει πρόβλεψη για ασφάλιση στη θέση ενεργοποίησης και ποτέ δεν πρέπει ο διακόπτης να ασφαλιζεται στη θέση ενεργοποίησης με οποιαδήποτε άλλα μέσα.

## Αυτόματο ηλεκτρικό φρένο

Το πριόνι σας είναι εξοπλισμένο με ηλεκτρικό φρένο λεπίδας που σταματά τη λεπίδα πριονιού σε 1-2 δευτερόλεπτα από την απελευθέρωση της σκανδάλης. Αυτό είναι αυτόματο και δεν χρειάζεται καμία ρύθμιση.

## Πριόνισμα

**Προειδοποίηση!** Για να μειώσετε τον κίνδυνο σοβαρού τραυματισμού, πάντα να κρατάτε το εργαλείο και με τα δύο χέρια.

- ◆ Αφήνετε τη λάμα να κινηθεί ελεύθερα για λίγα δευτερόλεπτα, πριν αρχίσετε την κοπή.
- ◆ Κατά την εκτέλεση της κοπής, εφαρμόζετε μόνο μικρή πίεση στο εργαλείο.
- ◆ Εργαστείτε με το πέλδilo να πιέζεται πάνω στο τεμάχιο εργασίας.

## Συμβουλές για βέλτιστη χρήση

- ◆ Επειδή δεν μπορείτε να αποφύγετε κάποιες σχίζες κατά μήκος της γραμμής κοπής στην επάνω πλευρά του τεμαχίου εργασίας, κόψτε από την πλευρά που είναι αποδεκτές οι σχίζες.
- ◆ Σε περιπτώσεις που πρέπει να ελαχιστοποιηθούν οι σχίζες, π.χ. κατά την κοπή καπλαμάδων, σφίξτε ένα κομμάτι κόντρα πλακέ επάνω στην άνω επιφάνεια του τεμαχίου εργασίας.

## Κοπή εσωτερικού ανοίγματος (εικ. Κ)

**Προειδοποίηση!** Ποτέ μην προσδέσετε τον προφυλακτήρα λεπίδας σε ανυψωμένη θέση. Ποτέ μην κινήσετε το πριόνι προς τα πίσω όταν εκτελείτε κοπή εσωτερικού ανοίγματος. Έτσι μπορεί να προκληθεί ανύψωση της μονάδας από το τεμάχιο εργασίας με ενδεχόμενο αποτέλεσμα τον τραυματισμό.

Σε μια κοπή εσωτερικού ανοίγματος, το άκρο του υλικού δεν σπρώχνει τον κάτω προφυλακτήρα για να ανοίξει, και το κάτω άκρο της περιστρεφόμενης λεπίδας κόβει στο μέσον του υλικού.

- ◆ Ρυθμίστε το πέλδilo (5) έτσι ώστε η λεπίδα να κόβει στο επιθυμητό βάθος.
- ◆ Γείρετε το πριόνι προς τα εμπρός και ακουμπήστε το μπροστινό μέρος του πέλδilo πάνω στο υλικό που πρόκειται να κοπεί.
- ◆ Χρησιμοποιώντας το μοχλό ανάρωσης, ανασύρετε τον κάτω προφυλακτήρα της λεπίδας σε μια προς τα πάνω θέση. Χαμηλώστε το πίσω μέρος του πέλδilo έως ότου τα δόντια της λεπίδας σχεδόν αγγίζουν τη γραμμή κοπής.
- ◆ Ελευθερώστε τον προφυλακτήρα της λεπίδας (η επαφή του με το τεμάχιο εργασίας θα τον διατηρήσει σε θέση ώστε να ανοίγει ελεύθερα καθώς ξεκινάτε την κοπή).
- ◆ Αφαιρέστε το χέρι σας από το μοχλό του προφυλακτήρα και πιάστε σταθερά τη δευτερεύουσα λαβή (7), όπως δείχνει η εικόνα N.

Τοποθετήστε το σώμα και το βραχιόνι σας έτσι ώστε να μπορείτε να αντιδράσετε σε ανάδραση, αν προκύψει.

- ◆ Βεβαιωθείτε ότι η λεπίδα δεν είναι σε επαφή με την επιφάνεια κοπής, πριν θέσετε σε λειτουργία το πριόνι.
- ◆ Θέστε σε λειτουργία το μοτέρ και επιτρέψτε στο πριόνι να φθάσει σε πλήρη ταχύτητα, και κατόπιν χαμηλώστε το πριόνι έως ότου το πέλδilo στηρίζεται με όλη του την επιφάνεια πάνω στο υλικό που πρόκειται να κοπεί. Προχωρήστε το πριόνι κατά μήκος της γραμμής κοπής έως ότου ολοκληρωθεί η κοπή όπως δείχνει η εικόνα K.
- ◆ Ελευθερώστε τη σκανδάλη και επιτρέψτε στη λεπίδα να σταματήσει τελείως πριν αποσύρετε τη λεπίδα από το υλικό.
- ◆ Όταν ξεκινάτε κάθε νέα κοπή, επαναλάβετε όπως αναφέρεται πιο πάνω.

## Αντιμετώπιση προβλημάτων

ΠΡΟΒΛΗΜΑ	Πιθανή αιτία	Πιθανή λύση
Η μονάδα δεν τίθεται σε λειτουργία.	Η μπαταρία δεν έχει τοποθετηθεί σωστά. Το πακέτο μπαταρίας δεν είναι φορτισμένο.	Ελέγξτε την τοποθέτηση της μπαταρίας. Ελέγξτε τις απαιτήσεις φόρτισης της μπαταρίας.
Το μοτέρ σταματάει ενώ κορεύετε το γκαζόν.	Δεν έχει τοποθετηθεί μπαταρία στο φορτιστή. Ο φορτιστής δεν έχει συνδεθεί. Η θερμοκρασία αέρα περιβάλλοντος είναι πολύ θερμή ή πολύ ψυχρή.	Τοποθετήστε το πακέτο μπαταρίας στο φορτιστή μέχρι να ανάψει η λυχνία LED. Συνδέστε το φορτιστή σε πρίζα που λειτουργεί. Ανατρέξτε στις "Σημαντικές παρατηρήσεις για τη φόρτιση", για περισσότερες λεπτομέρειες. Μετακινήστε το φορτιστή και την μπαταρία σε θέση με θερμοκρασία αέρα περιβάλλοντος πάνω από 4,5 °C (40 °F) ή κάτω από 40,5 °C (105 °F).
Η μονάδα σβήνει ξαφνικά.	Το πακέτο μπαταρίας έχει φθάσει στο όριο μέγιστης θερμοκρασίας του. Εκτός φόρτισης. (Για να μειωτοποιηθεί η διάρκεια ζωής του, το πακέτο μπαταρίας έχει σχεδιαστεί να απενεργοποιείται άμεσα όταν εξαντληθεί η φόρτισή του).	Αφήστε το πακέτο μπαταρίας να κρυώσει. Τοποθετήστε το στο φορτιστή και αφήστε το να φορτιστεί.

## Αξεσουάρ

Η απόδοση του εργαλείου σας εξαρτάται από το αξεσουάρ που χρησιμοποιείτε. Τα αξεσουάρ της BLACK+DECKER έχουν κατασκευαστεί μηχανικά με βάση πρότυπα υψηλής ποιότητας και είναι σχεδιασμένα να ενισχύουν την απόδοση του εργαλείου σας. Χρησιμοποιώντας αυτά τα αξεσουάρ, θα εξασφαλίσετε την καλύτερη δυνατή απόδοση του εργαλείου σας.

## Συντήρηση

Αυτό το εργαλείο έχει σχεδιαστεί έτσι ώστε να λειτουργεί για μεγάλο χρονικό διάστημα με την ελάχιστη δυνατή συντήρηση. Η συνεχής ικανοποιητική λειτουργία εξαρτάται από τη σωστή φροντίδα και τον τακτικό καθαρισμό του εργαλείου.

**Προειδοποίηση!** Πριν από κάθε εργασία συντήρησης, πρέπει να απενεργοποιείτε το εργαλείο και να το αποσυνδέετε από την πρίζα.

- Καθαρίζετε τακτικά τις εγκοπές εξαερισμού του εργαλείου με μια μαλακή βούρτσα ή με ένα στεγνό πανί.
- Να καθαρίζετε τακτικά το περιβλήμα του μοτέρ με ένα ελαφρά υγρό πανί. Μη χρησιμοποιείτε λειαντικά καθαριστικά ή υγρά καθαρισμού που περιέχουν διαλυτικά.

## Προστασία του περιβάλλοντος



Χωριστή συλλογή. Τα προϊόντα και οι μπαταρίες που επισημαίνονται με αυτό το σύμβολο δεν πρέπει να απορρίπτονται μαζί με τα κανονικά οικιακά απορρίμματα.

Τα προϊόντα και οι μπαταρίες περιέχουν υλικά που μπορούν να ανακτηθούν ή να ανακυκλωθούν ώστε να μειωθούν οι ανάγκες για πρώτες ύλες.

Παρακαλούμε να ανακυκλώνετε τα ηλεκτρικά προϊόντα και τις μπαταρίες σύμφωνα με τους τοπικούς κανονισμούς. Περισσότερες πληροφορίες διατίθενται στον ιστότοπο [www.2helpU.com](http://www.2helpU.com)

## Τεχνικά δεδομένα

BDCCS18 H1		
Τάση εισόδου	$V_{ac}$	18
Ταχύτητα χωρίς φορτίο	$min^{-1}$	3700 σ.α.λ.
Μέγιστο βάθος κοπής	mm	43
Μέγ. βάθος κοπής σε φαλτογωνιά 45°	mm	35
Διάμετρος λεπίδας	mm	140
Οπή λεπίδας	mm	12.7
Πλάτος ακμής λεπίδας	mm	2.0
Βάρος	kg	2.08

Φορτιστής		905998**/ N4940**	905998**/ 906349**
Τάση εισόδου	$V_{ac}$	100-240	220-240
Τάση εξόδου	$V_{dc}$	8-20	8-20
Ένταση ρεύματος	mA	400	1000
Χρόνος φόρτισης, περίπου	Ωρες	3-11	1.5-5

Μπαταρία (όπου παρέχονται)		BL2018*	BL1518*	BL4018
Τάση εισόδου	$V_{dc}$	18	18	18
Χωρητικότητα	Ah	2.0	1.5	4.0
Τύπος		Li-Ion	Li-Ion	Li-Ion

$L_{pa}$ (ηχητική πίεση)	76,0 dB(A), Αβεβαιότητα (Κ) 3 dB(A)
$L_{wa}$ (ηχητική ισχύς)	87,0 dB(A), αβεβαιότητα (Κ) 3 dB(A)

Συνολικές τιμές κραδασμών (διανυσματικό άθροισμα τριών αξόνων) κατά EN 62841:

Κοπή ξύλου ( $a_{h,w}$ ) 1,5  $m/s^2$ , αβεβαιότητα (Κ) 1,5  $m/s^2$

## Δήλωση συμμόρφωσης EK ΟΔΗΓΙΑ ΠΕΡΙ ΜΗΧΑΝΗΜΑΤΩΝ



### BDCCS18 Δισκοπρίονο

Η Black & Decker δηλώνει ότι τα προϊόντα αυτά που περιγράφονται στα «τεχνικά χαρακτηριστικά» συμμορφώνονται με τα ακόλουθα: EN62841-1:2015, EN62841-2:5:2014.

Αυτά τα προϊόντα συμμορφώνονται και με την Οδηγία 2006/42/EC, 2014/30/EE και 2011/65/EE. Για περισσότερες πληροφορίες, επικοινωνήστε με την Black & Decker στην παρακάτω διεύθυνση ή ανατρέξτε στο πίσω μέρος του εγχειριδίου.

Ο κάτωθι υπογεγραμμένος είναι υπεύθυνος για την κατάρτιση του τεχνικού φακέλου και δηλώνει τα παρόντα εκ μέρους της Black & Decker.

A. P. Smith  
Technical Director  
Black & Decker Europe, 270 Bath Road, Slough,  
Berkshire, SL1 4DX  
United Kingdom (Ηνωμένο Βασίλειο)  
30/04/2019

## Εγγύηση

Η Black & Decker είναι σίγουρη για την ποιότητα των προϊόντων της και προσφέρει στους καταναλωτές εγγύηση 24 μηνών από την ημερομηνία αγοράς. Αυτή η εγγύηση συμπληρώνει και με κανένα τρόπο δεν παραβάλλει τα νόμιμα δικαιώματά σας. Η εγγύηση ισχύει εντός της επικράτειας των χωρών μελών της Ευρωπαϊκής Ένωσης και της Ευρωπαϊκής Ζώνης Ελευθέρων Συναλλαγών.

Για να υποβάλετε αξίωση βάσει της εγγύησης, η αξίωση θα πρέπει να είναι σύμφωνη με τους Όρους και προϋποθέσεις της Black & Decker και θα χρειαστεί να υποβάλτε απόδειξη αγοράς στον πωλητή ή σε εξουσιοδοτημένο αντιπρόσωπο επισκευών. Μπορείτε να αποκτήσετε τους Όρους και προϋποθέσεις της εγγύησης 2 ετών της Black&Decker και να μάθετε την τοποθεσία του πλησιέστερου εξουσιοδοτημένου αντιπροσώπου επισκευών στο Internet στο [www.2helpU.com](http://www.2helpU.com), ή επικοινωνώντας με το τοπικό σας γραφείο Black & Decker στη διεύθυνση που υποδεικνύεται στο παρόν εγχειρίδιο. Παρακαλούμε επισκεφθείτε την ιστοσελίδα μας [www.blackanddecker.gr](http://www.blackanddecker.gr) για να καταχωρίσετε το νέο σας προϊόν Black & Decker και για να ενημερώσετε για τα νέα προϊόντα και τις ειδικές προσφορές.

<b>België/Belgique/Luxembourg</b> www.blackanddecker.be enduser.be@sbdinc.com	Stanley Black & Decker Belgium BVBA Egide Walschaertsstraat 16 2800 Mechelen	Tel. NL +32 15 47 37 65 Tel. FR +32 15 47 37 66 Fax. +32 15 47 37 99
<b>Danmark</b>	Black & Decker Roskildevej 22 2620 Albertslund	kundeservice.dk@sbdinc.com www.blackanddecker.dk
<b>Deutschland</b> www.blackanddecker.de infobdgc@sbdinc.com	Stanley Black & Decker Deutschland GmbH Black & Decker Str. 40, D - 65510 Idstein	Tel. 06126 21-0 Fax 06126 21-2980
<b>Ελλάδα</b> www.blackanddecker.gr greece.service@sbdinc.com	Stanley Black & Decker (ΕΛΛΑΣ) Ε.Π.Ε ΓΡΑΦΕΙΑ: Σπύρβωνος 7 & Βουλιαγμένης 166 74 Γλυφάδα - Αθήνα	Τηλ. 210-8981616 Φαξ 210-8983570
<b>SERVICE:</b>	Ημερος Τόπος 2 -Χάνι Αδάμ 193 00 Ασπρόπυργος - Αθήνα	Τηλ. Service 210-8985208 Φαξ 210-5597598
<b>España</b> www.blackanddecker.es respuesta.posventa@sbdinc.com	Stanley Black & Decker Ibérica, S.C.A. Parc de Negocis "Mas Blau" Edificio Muntadas, c/Bergadá, 1, Of. A6 08820 El Prat de Llobregat (Barcelona)	Tel. 934 797 400 Fax 934 797 419
<b>France</b> www.blackanddecker.fr	Black & Decker (France) S.A.S. 5 allée des Hêtres B.P. 30084 69579 Limonest Cédex	Tel. 04 72 20 39 20 Fax 04 72 20 39 00
<b>Helvetia</b> www.blackanddecker.ch service@rofoag.ch	ROFO AG Gewerbezone Seeblick 3213 Kleinbösingen	Tel. 026-6749393 Fax 026-6749394
<b>Italia</b> www.blackanddecker.it service.italia@sbdinc.com	Stanley Black & Decker Italia Via Energypark 6 20871 Vimercate (MB)	Tel. 039-9590200 Fax 039-9590313 Numero verde 800-213935
<b>Nederland</b> www.blackanddecker.nl enduser.nl@sbdinc.com	Stanley Black & Decker Netherlands BV Holtum Noordweg 35, 6121 RE BORN Postbus 83, 6120 AB BORN	Tel. +31 164 283 065 Fax +31 164 283 200
<b>Norge</b>	Black & Decker Postboks 4613, Nydalen 0405 Oslo	kundeservice.no@sbdinc.com www.blackanddecker.no
<b>Österreich</b> www.blackanddecker.at service.austria@sbdinc.com	Stanley Black & Decker Austria GmbH Oberlaaerstraße 248, A-1230 Wien	Tel. 01 66116-0 Fax 01 66116-614
<b>Portugal</b> www.blackanddecker.pt resposta.posvenda@sbdinc.com	Black & Decker Limited SARL Quinta da Fonte - Edifício Q55 D. Diniz Rua dos Malhães, 2 e 2A - Piso 2 Esquerdo 2770 - 071 Paço de Arcos	Tel. 214667500 Fax 214667580
<b>Suomi</b>	Black & Decker PL47 00521, Helsinki	asiakaspalvelu.fi@sbdinc.com www.blackanddecker.fi
<b>Sverige</b>	Black & Decker AB Box 94, 431 22 Mölndal	kundservice.se@sbdinc.com www.blackanddecker.se
<b>Türkiye</b> www.blackanddecker.com.tr	KALE Hırdavat ve Makina A.Ş. Deftardar Mah. Savaklar Cad. No:15 Edirnekapı / Eyüp / İstanbul 34050	Tel. 0212 533 52 55 Fax. 0212 533 10 05
<b>United Kingdom &amp; Republic Of Ireland</b> www.blackanddecker.co.uk emeaservice@sbdinc.com	Black & Decker 210 Bath Road Slough, Berkshire SL1 3YD	Tel. 01753 511234 Fax 01753 512365
<b>Middle East &amp; Africa</b> www.blackanddecker.ae service.mea@sbdinc.com	Black & Decker P.O.Box - 17164 Jebel Ali Free Zone (South), Dubai, UAE	Tel. +971 4 8863030 Fax +971 4 8863333