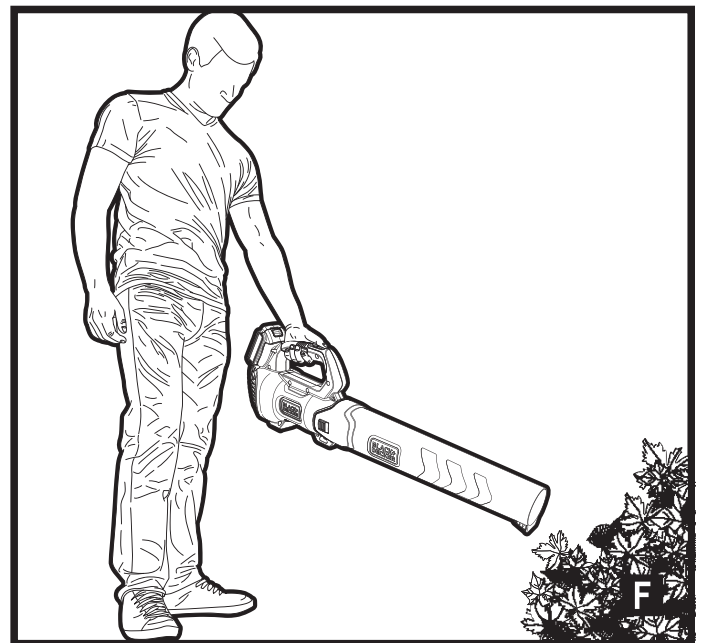
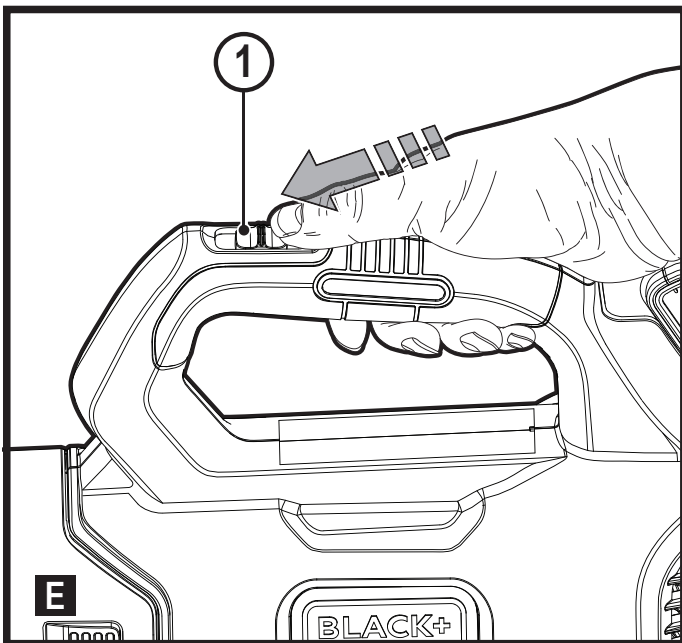
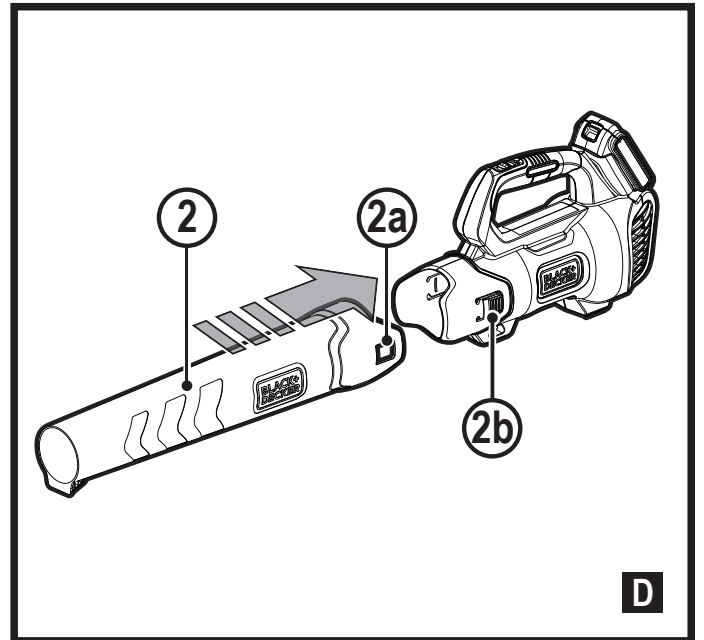
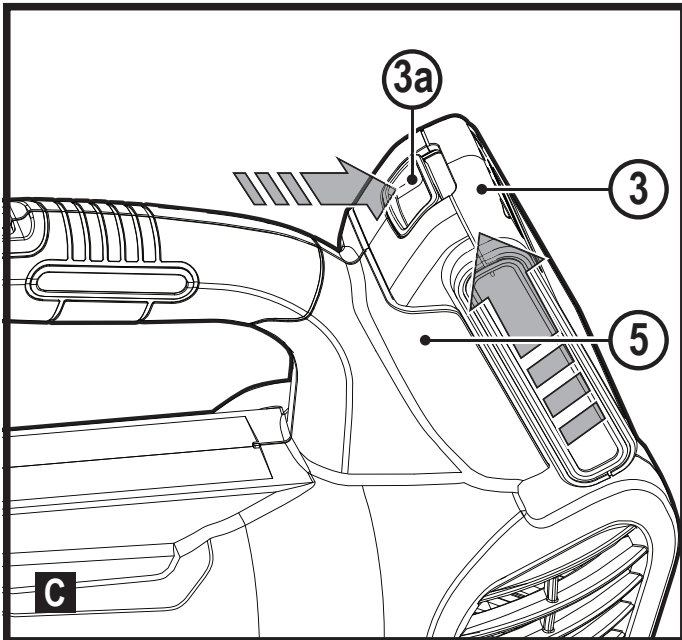
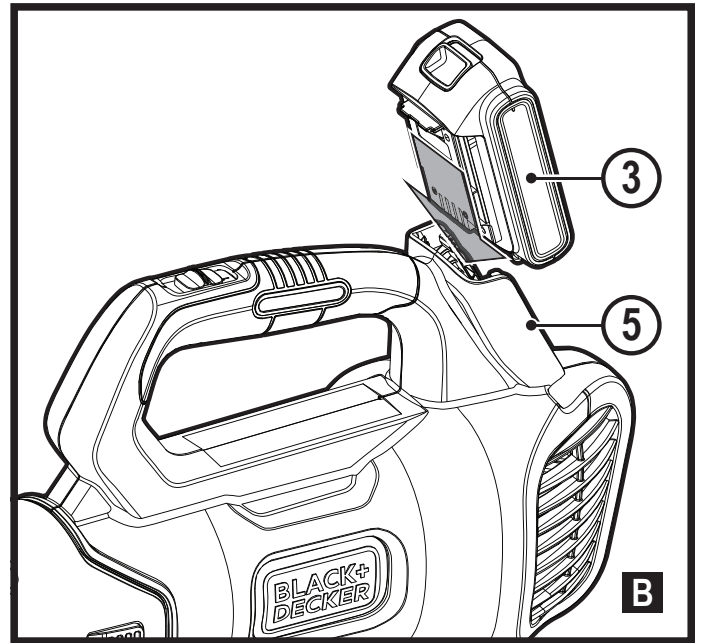
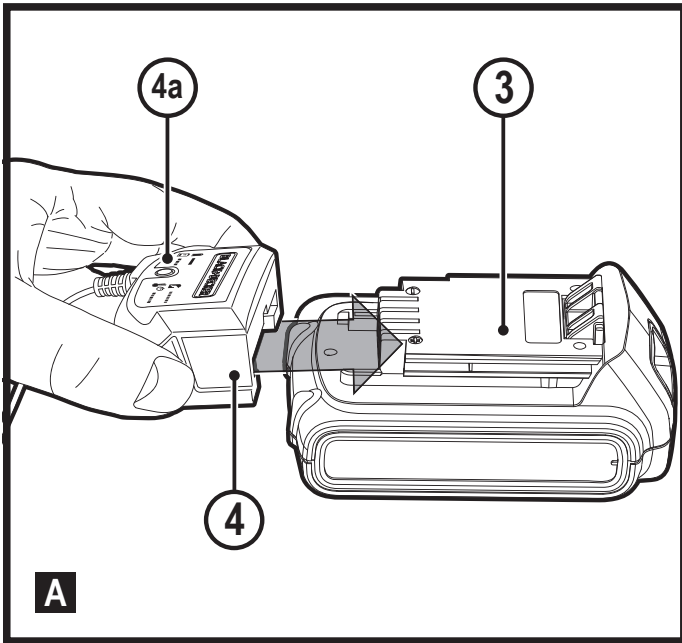


BCBL200 L
BCBL200 L25
BCBL200 B

503913 - 64

www.blackanddecker.eu

English	(Original instructions)	4
Русский язык	(Перевод инструкций)	11



Intended use

Your BLACK+DECKER BCBL200 L, BCBL200 L25 and BCBL200 B blowers have been designed for leaf clearing. These appliances are intended for consumer use only.

Safety instructions

Warning! When using mains-powered/cordless appliances, basic safety precautions, including the following, should always be followed to reduce the risk of fire, electric shock, personal injury and material damage.

- ◆ Read all of this manual carefully before operating the appliance.
- ◆ The intended use is described in this manual. The use of any accessory or attachment or the performance of any operation with this appliance other than those recommended in this instruction manual may present a risk of personal injury.
- ◆ Retain this manual for future reference.

Using your appliance

Always take care when using the appliance.

- ◆ Always use safety glasses or goggles.
- ◆ Never allow children, persons with reduced physical, sensory or mental capabilities or lack of experience and knowledge or people unfamiliar with these instructions to use the machine, local regulations may restrict the age of the operator. Never operate the machine while people, especially children, or pets are nearby.

- ◆ Do not allow children or animals to come near the work area or to touch the appliance or power supply cord.
- ◆ Close supervision is necessary when the appliance is used near children.
- ◆ This appliance is not intended for use by young or infirm persons without supervision.
- ◆ This appliance is not to be used as a toy.
- ◆ Only use the appliance in daylight or good artificial light.
- ◆ Use in a dry location only. Do not allow the appliance to become wet.
- ◆ Avoid using the appliance in bad weather conditions, especially when there is a risk of lightning.
- ◆ Do not immerse the appliance in water.
- ◆ Do not open the body casing. There are not user-serviceable parts inside.
- ◆ Do not operate the appliance in explosive atmospheres, such as in the presence of flammable liquids, gases or dust.
- ◆ The appliance is only to be used with the power supply unit provided with the appliance.

Residual risks.

Additional residual risks may arise when using the tool which may not be included in the enclosed safety warnings.

These risks can arise from misuse, prolonged use etc. Even with the application of the relevant safety regulations and the implementation of safety devices, certain residual risks can not be avoided.

These include:

- ◆ Injuries caused by touching any rotating/moving parts.
- ◆ Injuries caused when changing any parts, blades or accessories.
- ◆ Injuries caused by prolonged use of a tool. When using any tool for prolonged periods ensure you take regular breaks.
- ◆ Impairment of hearing.
- ◆ Health hazards caused by breathing dust developed when using your tool (example:- working with wood, especially oak, beech and MDF.)

After use

- ◆ When not in use, the appliance should be stored in a dry, well ventilated place out of reach of children.
- ◆ Children should not have access to stored appliances.
- ◆ When the appliance is stored or transported in a vehicle it should be placed in the boot or restrained to prevent movement following sudden changes in speed or direction.

Inspection and repairs

- ◆ Before use, check the appliance for damaged or defective parts. Check for breakage of parts and any other conditions that may affect its operation.
- ◆ Do not use the appliance if any part is damaged or defective.
- ◆ Have any damaged or defective parts repaired or replaced by an authorised repair agent.

- ◆ Never attempt to remove or replace any parts other than those specified in this manual.

Additional safety instructions for blowers

The intended use is described in this manual. The use of any accessory or attachment or performance of any operation with this appliance other than those recommended in this instruction manual can present a risk of personal injury and/or damage to property.

- ◆ To protect your feet and legs while operating the appliance, always wear heavy duty footwear and long trousers.
- ◆ Always switch off your product, allow the fan to stop and remove the battery when:
 - ◆ You leave your product unattended.
 - ◆ Clearing a blockage.
 - ◆ Checking, adjusting, cleaning or working on your product.
 - ◆ If the appliance starts to vibrate abnormally.
- ◆ Do not place the inlet or outlet of the vacuum near eyes or ears when operating. Never blow debris in the direction of bystanders.
- ◆ Do not use in the rain or leave outdoors while it is raining.
- ◆ Do not cross gravel paths or roads whilst your product is switched. Walk, never run.
- ◆ Do not place your unit down on gravel while it is switched on.

- ◆ Always be sure of your footing, particularly on slopes.
Do not overreach and keep your balance at all times.
- ◆ Do not place any objects into the openings. Never use if the openings are blocked - keep free of hair, lint, dust and anything that may reduce the airflow.

Vibration

The declared vibration emission values stated in the technical data and the declaration of conformity have been measured in accordance with a standard test method provided by EN50636 and may be used for comparing one tool with another. The declared vibration emission value may also be used in a preliminary assessment of exposure.

Warning! The vibration emission value during actual use of the power tool can differ from the declared value depending on the ways in which the tool is used. The vibration level may increase above the level stated.

When assessing vibration exposure to determine safety measures required by 2002/44/EC to protect persons regularly using power tools in employment, an estimation of vibration exposure should consider, the actual conditions of use and the way the tool is used, including taking account of all parts of the operating cycle such as the times when the tool is switched off and when it is running idle in addition to the trigger time.

Warning! Always use your product in the manner outlined in this manual. Your product is designed to be used in an upright mode and if it is used in any other way it may result in injury. Never run your product whilst lying on it's side or upside down.

- ◆ The operator or user is responsible for accidents or hazards occurring to other people or their property.
- ◆ Do not use solvents or cleaning fluids to clean your product. Use a blunt scraper to remove grass and dirt.
- ◆ Check the collection bag frequently for wear or deterioration.
- ◆ Replacement fans are available from a Black & Decker service agent. Use on Black & Decker recommended spare parts and accessories.
- ◆ Keep all nuts bolts and screws tight to make sure that the appliance is in a safe working condition.

Safety of others

- ◆ This appliance is not intended for use by persons (including children) with reduced physical, sensory or mental capabilities, or lack of experience and knowledge, unless they have been given supervision or instruction concerning use of the appliance by a person responsible for their safety.
- ◆ Children should be supervised to ensure that they do not play with the appliance.

Additional safety instructions for batteries and chargers

Batteries

- ◆ Never attempt to open for any reason.
- ◆ Do not expose the battery to water.
- ◆ Do not store in locations where the temperature may exceed 40 °C.
- ◆ Charge only at ambient temperatures between 10 °C and 40 °C.
- ◆ Charge only using the charger provided with the tool.
- ◆ When disposing of batteries, follow the instructions given in the section "Protecting the environment".

Chargers

- ◆ Use your BLACK+DECKER charger only to charge the battery in the tool with which it was supplied. Other batteries could burst, causing personal injury and damage.
- ◆ Never attempt to charge non-rechargeable batteries.
- ◆ Have defective cords replaced immediately.
- ◆ Do not expose the charger to water.
- ◆ Do not open the charger.
- ◆ Do not probe the charger.



The charger is intended for indoor use only.



Read the instruction manual before use.

Electrical safety



Your charger is double insulated; therefore no earth wire is required. Always check that the mains voltage corresponds to the voltage on the rating plate. Never attempt to replace the charger unit with a regular mains plug.

- ◆ If the supply cord is damaged, it must be replaced by the manufacturer or an authorised BLACK+DECKER Service Centre in order to avoid a hazard.

Labels on appliance

The following warning symbols are found on the appliance along with the date code:



Read the manual prior to operation.



Wear safety glasses or goggles when operating this appliance.



Wear suitable ear protectors when operating this appliance.



Always remove the battery from the appliance before performing any cleaning or maintenance.



Beware of flying objects. Keep bystanders away from the cutting area.



Do not expose the appliance to rain or high humidity.



Directive 2000/14/EC guaranteed sound power.

Features

This appliance includes some or all of the following features.

1. On / Off Switch
2. Blower Tube
3. Battery

Charging a battery (BCBL200 L and BCBL200 L25 units only) (fig. A)

BLACK+DECKER chargers are designed to charge BLACK+DECKER battery packs.

- ◆ Plug the charger (4) into an appropriate outlet before inserting a battery pack (3).
- ◆ Insert the battery pack (3) into the charger, making sure the battery pack is fully seated in the battery slots (Figure A).

The LED (4a) will flash indicating that the battery is being charged.

The completion of charge is indicated by the LED remaining on continuously. The pack is fully charged and may be used at this time or left in the charger.

- ◆ Recharge discharged batteries as soon as possible after use or battery life may be greatly diminished. For longest battery life, do not discharge batteries fully. It is recommended that the batteries be recharged after each use.

Charger diagnostics

This charger is designed to detect certain problems that can arise with the battery packs or the power source. Problems are indicated by one LED flashing in different patterns.

Bad battery

The charger can detect a weak or damaged battery. The LED flashes in the pattern indicated on the label. If you see this bad battery blink pattern, do not continue to charge the battery. Return it to a service center or a collection site for recycling.

Hot/cold pack delay

When the charger detects a battery that is excessively hot or excessively cold, it automatically starts a Hot/Cold Pack Delay, suspending charging until the battery has normalized. After this happens, the charger automatically switches to the Pack Charging mode. This feature ensures maximum battery life. The light flashes in the pattern indicated on the label.

Leaving the battery in the charger

The charger and battery pack can be left connected with the LED glowing indefinitely. The charger will keep the battery pack fresh and fully charged.

This charger features an automatic tune-up mode which equals or balances the individual cells in the battery pack to allow it to function at peak capacity.

Battery packs should be tuned up weekly or whenever the battery no longer delivers the same amount of work. To use the automatic tune-up mode, place the battery pack in the charger and leave it for at least 8 hours.

Important charging notes

- ◆ Longest life and best performance can be obtained if the battery pack is charged when the air temperature is between 18 ° – 24 °C. DO NOT charge the battery pack in an air temperature below +4.5 °C, or above +40 °C. This is important and will prevent serious damage to the battery pack.
- ◆ The charger and battery pack may become warm to the touch while charging. This is a normal condition, and does not indicate a problem. To facilitate the cooling of the battery pack after use, avoid placing the charger or battery pack in a warm environment such as in a metal shed or an uninsulated trailer.
- ◆ If the battery pack does not charge properly:
 - ◆ Check operation of receptacle by plugging in a lamp or other appliance;
 - ◆ Check to see if receptacle is connected to a light switch which turns power off when you turn out the lights;
 - ◆ Move the charger and battery pack to a location where the surrounding air temperature is approximately 18 ° – 24 °C;
 - ◆ If charging problems persist, take the tool, battery pack and charger to your local service center.
 - ◆ The battery pack should be recharged when it fails to produce sufficient power on jobs which were easily done previously. DO NOT CONTINUE to use under these conditions. Follow the charging procedure. You may also charge a partially used pack whenever you desire with no adverse effect on the battery pack.
- ◆ Foreign materials of a conductive nature such as, but not limited to, grinding dust, metal chips, steel wool, aluminum foil, or any buildup of metallic particles should be kept away from charger cavities. Unplug the charger before attempting to clean.
- ◆ Do not freeze or immerse the charger in water or any other liquid.

To install battery pack (BCBL200 L and BCBL200 L25 units only) (fig. B)

- ◆ Insert battery pack (3) into tool until an audible click is heard as shown in Figure B. Make sure battery pack is fully seated and fully latched into position.

To remove battery pack (fig. C)

- ◆ Depress the battery release button (3a) in the battery pack (3) and pull battery pack out of tool assembly (5) as shown in Figure C.

To fit the blower tube (fig. D)

- ◆ Attach the blower tube (2) to the blower main body by placing the tabs (2b) into the recesses (2a). To remove the blower tube, depress the tabs (2a) and pull apart.

Switching on and off

Warning! Use both hands to grip the product firmly when switching on.

Warning! Do not point unit discharge at self or bystanders.

- ◆ To switch the sweeper on, slide the on/off switch forward as shown E.
- ◆ To switch the sweeper off, slide the on/off switch back.

Operation

Warning! Always wear safety glasses. Wear a filter mask if the operation is dusty. Use of gloves, long pants and substantial footwear is recommended. Keep long hair and loose clothing away from openings and moving parts. THIS SWEEPER IS FOR HOUSEHOLD USE ONLY.

- ◆ Hold the sweeper with one hand as shown in Figure F and sweep from side to side with the nozzle several inches above the ground. Slowly advance keeping the accumulated pile of debris in front of you.

Troubleshooting

Problem	Possible cause	Possible solution
Unit will not start.	Battery not installed properly.	Check battery installation.
	Battery not charged.	Check battery charging requirements.
Battery will not charge.	Battery not inserted into charger.	Insert battery into charger until green LED appears.
	Charger not plugged in.	Plug charger into a working outlet. Refer to "Important Charging Notes" for more details.
		Check current at receptacle by plugging in a lamp or other appliance.
		Check to see if receptacle is connected to a light switch which turns power off when you turn out the lights.
Surrounding air temperature too hot or too cold.	Move charger and tool to a surrounding air temperature of above 40 degree F (4.5°C) or below 105 degree F (+40.5°C).	

Protecting the environment



Separate collection. Products and batteries marked with this symbol must not be disposed of with normal household waste.

Products and batteries contain materials that can be recovered or recycled reducing the demand for raw materials. Please recycle electrical products and batteries according to local provisions.

Technical data

		BCBL200 L	BCBL200 L25	BCBL200 B
Input Voltage	V _{DC}	18	18	18
No-Load Speed	/min	19500	19500	19500
Weight	kg	2.35	2.61	1.79
Battery		90617054	N637662	Bare unit, not supplied
Voltage	V _{DC}	18	18	
Capacity	Ah	2.0	2.5	
Charger		90634971	90606845-01	Bare unit, not supplied

Hand/arm weighted vibration value according to EN 50636-2-100:

$$= < 2.5 \text{ m/s}^2, \text{ uncertainty (K)} = 1,5 \text{ m/s}^2.$$

$$L_{pa} \text{ (sound pressure)} 81.5 \text{ dB(A)}$$

$$\text{uncertainty (K)} = 0.7 \text{ dB(A)}$$

EC declaration of conformity

MACHINERY DIRECTIVE
OUTDOOR NOISE DIRECTIVE



BCBL200 L, BCBL200 L25, BCBL200 B blower

Black & Decker declares that these products described under "technical data" are in compliance with:
2006/42/EC, EN 60335-1: 2012+A11:2014;
EN 50636-2-100:2014

2000/14/EC, Blower, Annex V
DEKRA Certification B.V., Meander 1051/P.O. Box 5185
6825MJ ARNEM / 6802ED ARNHEM Netherlands Notified
Body ID No.: 0344

Level of acoustic power according to 2000/14/EC
(Article 13, Annex III):

$$L_{WA} \text{ (measured sound power)} 90.5 \text{ dB(A)}$$

$$\text{Uncertainty} = 0,8 \text{ dB(A)}$$

$$L_{WA} \text{ (guaranteed sound power)} 91 \text{ dB(A)}$$

These products also comply with Directive 2014/30/EU,
2011/65/EU.

For more information, please contact Black & Decker at the following address or refer to the back of the manual.

The undersigned is responsible for compilation of the technical file and makes this declaration on behalf of Black & Decker.



R. Laverick
Director of Engineering
Black & Decker Europe, 210 Bath Road, Slough,
Berkshire, SL1 3YD
United Kingdom
21/08/2018

Guarantee

Black & Decker is confident of the quality of its products and offers consumers a 24 month guarantee from the date of purchase. This guarantee is in addition to and in no way prejudices your statutory rights. The guarantee is valid within the territories of the Member States of the European Union and the European Free Trade Area.

To claim on the guarantee, the claim must be in accordance with Black & Decker Terms and Conditions and you will need to submit proof of purchase to the seller or an authorised repair agent. Terms and conditions of the Black & Decker 2 year guarantee and the location of your nearest authorised repair agent can be obtained on the Internet at www.2helpU.com, or by contacting your local Black & Decker office at the address indicated in this manual.

Please visit our website www.blackanddecker.co.uk to register your new Black & Decker product and receive updates on new products and special offers.

Назначение

Ваш аккумуляторный садовый воздуходув
BLACK+DECKER BCBL200 L, BCBL200 L25 и BCBL200
В предназначен для сдува садового мусора. Данные
инструменты предназначены только для бытового
использования.

Правила техники безопасности

Осторожно! При использовании электрических/аккумуляторных инструментов соблюдение правил по технике безопасности и следование данным инструкциям позволит снизить вероятность возникновения пожара, поражения электрическим током, получения травм и повреждения личного имущества.

- ◆ Перед использованием инструмента полностью прочтите данное руководство.
- ◆ В данном руководстве описано предусмотренное применение. Использование каких-либо принадлежностей или насадок, а также выполнение каких-либо операций, отличных от рекомендованных в данном руководстве, может привести к травмам.
- ◆ Сохраните данное руководство для справки в будущем.

Использование инструмента

Сохраняйте бдительность при использовании инструмента.

- ◆ При работе всегда надевайте защитные очки.
- ◆ Не допускайте детей, людей со сниженными физическими, сенсорными и умственными

способностями или не имеющими необходимого опыта или навыка, а также лиц, не знакомых с данным правилами техники безопасности, к работе инструментом. Местное законодательство может ограничивать возраст оператора. Не используйте инструмент, если рядом присутствуют посторонние, особенно дети, или домашние животные.

- ◆ Не позволяйте детям или животным находиться поблизости от места выполнения работ или прикасаться к кабелю питания.
- ◆ Будьте особенно внимательны при использовании инструмента в присутствии детей.
- ◆ Данный инструмент не предназначен для использования несовершеннолетними или лицами с ограниченными возможностями, если они не находятся под присмотром.
- ◆ Инструмент не предназначен для игры.
- ◆ Используйте инструмент только днем или при хорошем искусственном освещении.
- ◆ Использовать только в сухом месте. Не допускайте попадания влаги в инструмент.
- ◆ Избегайте работы с инструментом в плохих погодных условиях, особенно при риске удара молнии.
- ◆ Не погружайте инструмент в воду.

- ◆ Запрещается вскрывать корпус. Внутри инструмента нет деталей, обслуживаемых пользователем.
- ◆ Не используйте инструмент во взрывоопасной среде, например, при наличии горючих жидкостей, газов или пыли.
- ◆ Инструмент предназначен для использования только с источником питания, поставляемым вместе с инструментом.

Остаточные риски.

При работе данным инструментом возможно возникновение дополнительных остаточных рисков, которые не вошли в описанные здесь правила техники безопасности.

Эти риски возникают в результате неправильной эксплуатации, длительного использования и т. п. Несмотря на соблюдение соответствующих правил техники безопасности и использование предохранительных устройств, некоторые остаточные риски невозможно полностью исключить.

К ним относятся:

- ◆ Травмы в результате касания вращающихся/движущихся частей.
- ◆ Травмы, которые могут произойти в результате смены деталей, лезвий или аксессуаров.
- ◆ Травмы, связанные с продолжительным использованием инструмента. При использовании любого инструмента

в течение продолжительного периода времени не забывайте делать перерывы.

- ◆ Ухудшение слуха.
- ◆ Ущерб здоровью в результате вдыхания пыли в процессе работы с инструментом (например, при обработке древесины, в особенности, дуба, бука и ДВП.)

После использования

- ◆ Если инструмент не используется, его нужно хранить в сухом, хорошо вентилируемом помещении, недоступном для детей.
- ◆ Дети не должны иметь доступа к помещенным на хранение инструментам.
- ◆ Если инструмент хранится или транспортируется в транспортном средстве, его нужно поместить в багажник или закрепить, во избежание перемещения в результате резкого изменения скорости или направления движения.

Проверка и ремонт

- ◆ Перед началом использования проверьте инструмент на наличие поврежденных или неисправных компонентов. Проверьте наличие сломанных деталей и прочих условий, способных повлиять на его работу.
- ◆ Не используйте инструмент, если какой-либо его компонент поврежден или неисправен.

- ◆ Ремонтируйте или заменяйте поврежденные или неисправные детали только в авторизованном сервисном центре.
- ◆ Не пытайтесь снимать или заменять какие-либо компоненты, отличные от указанных в данном руководстве.

Дополнительные меры безопасности при работе с воздуходувами

В данном руководстве описано предусмотренное применение. Применение любых принадлежностей и приспособлений с данным инструментом, а также выполнение любых операций помимо тех, которые рекомендованы данным руководством, может привести к травмам и/или материальному ущербу.

- ◆ Всегда носите рабочую обувь и длинные брюки для защиты ног при работе с инструментом.
- ◆ Всегда выключайте изделие, позволяйте вентилятору остановиться и вынимайте аккумуляторную батарею, если:
- ◆ Изделие осталось без присмотра.
 - ◆ Необходимо устранить засорение.
 - ◆ Проводится проверка, регулировка, чистка или обслуживание изделия.
 - ◆ Изделие издает ненормальные вибрации.
- ◆ Не подносите впускное или выпускное отверстие близко к глазам или ушам. Не сдувайте частицы в сторону окружающих.

- ◆ Не используйте и не оставляйте на открытом воздухе во время дождя.
- ◆ Не пересекайте гравийные тропки или дорожки, если изделие включено. Перемещайтесь только шагом и никогда не бегите с инструментом.
- ◆ Не опускайте включенный инструмент на гравий.
- ◆ Всегда сохраняйте устойчивое положение, особенно на уклонах. Не пытайтесь дотянуться до удаленных поверхностей и всегда сохраняйте равновесие.
- ◆ Не вставляйте никакие предметы в отверстия инструмента. Не используйте инструмент, если отверстия забиты – держите их чистыми от волос, пуха, пыли и любых предметов, которые могут уменьшить поток воздуха.

Вибрация

Заявленные значения вибрации, указанные в технических спецификациях и заявлении о соответствии, были измерены в соответствии со стандартным методом тестирования EN50636 и пригодны для сравнения инструментов. Заявленное значение эмиссии вибрации также может использоваться при предварительной оценке воздействия вибрации.

Осторожно! Значение эмиссии вибрации в каждом конкретном случае применения электроинструмента может отличаться от заявленного

в зависимости от того, каким образом используется инструмент. Уровень вибрации может быть выше заявленного.

При оценке уровня вибрации для определения степени безопасности, предусмотренного 2002/44/ЕС для защиты людей, регулярно пользующихся электроинструментом при работе, нужно принимать во внимание уровень вибрации, реальные условия использования и способ использования инструмента, а также учитывать все этапы цикла работы (когда инструмент выключается, когда он работает на холостом ходу, а также время переключения с одного режима на другой).

Осторожно! Всегда применяйте изделие способом, указанным в данном руководстве.

Ваше изделие предназначено для использования в вертикальном положении, в противном случае возможно получение травм. Не запускайте инструмент, если он лежит на боку или вверх ногами.

- ◆ Оператор или пользователь несет ответственность за несчастные случаи или опасности, создаваемые другим лицам или их собственности.
- ◆ Не используйте растворители или чистящие жидкости для чистки изделия. Используйте тупой скребок для удаления травы и грязи.

- ◆ Регулярно проверяйте мусоросборник на предмет износа или повреждений.
- ◆ Замену измельчителя можно произвести в авторизованном сервисном центре Black & Decker. Используйте с рекомендованными Black & Decker запасными частями и дополнительными принадлежностями.
- ◆ Поддерживайте все гайки и винты в затянутом состоянии, чтобы обеспечить безопасную работу инструмента.

Безопасность окружающих

- ◆ Данный инструмент не предназначен для использования лицами (включая детей) с ограниченными физическими, сенсорными или ментальными возможностями, а также лицами без достаточного опыта и знаний, если только они не делают этого под руководством лица, имеющего соответствующий опыт и отвечающего за их безопасность.
- ◆ Не позволяйте детям играть с данным инструментом.

Дополнительные меры безопасности при работе с аккумуляторными батареями и зарядными устройствами

Аккумуляторные батареи

- ◆ Никогда не пытайтесь разобрать аккумуляторные батареи.

- ◆ Не подвергайте аккумуляторные батареи воздействию воды.
- ◆ Не оставляйте в местах, где температура превышает 40 °С.
- ◆ Заряжайте только при температуре 10–40 °С.
- ◆ Заряжайте аккумуляторные только с зарядным устройством, которое прилагается к инструменту.
- ◆ При утилизации батарей следуйте инструкциям, указанным в разделе «Защита окружающей среды».

Зарядные устройства

- ◆ Используйте свое зарядное устройство BLACK+DECKER только для зарядки аккумуляторной батареи инструмента, с которым оно поставлялось. Использование аккумуляторных батарей другого типа может привести к взрыву, травмам и повреждениям.
- ◆ Не пытайтесь заряжать одноразовые батареи.
- ◆ Немедленно заменяйте поврежденный кабель питания.
- ◆ Не подвергайте зарядное устройство воздействию воды.
- ◆ Не вскрывайте зарядное устройство.
- ◆ Запрещается проводить испытания с зарядным устройством.



Зарядное устройство можно использовать только в помещении.



Перед началом работы прочтите руководство по эксплуатации.

Электробезопасность



Ваше зарядное устройство имеет двойную изоляцию, поэтому не требует заземления. Необходимо обязательно убедиться в том, что напряжение источника питания соответствует указанному на паспортной табличке устройства. Никогда не пытайтесь заменить зарядное устройство на обычную сетевую вилку.

- ◆ Если поврежден сетевой кабель, его нужно заменить у производителя или в официальном сервисном центре BLACK+DECKER, чтобы избежать рисков.

Маркировка инструмента

Помимо кода даты на инструменте имеются следующие предупреждающие символы:



Прочтите руководство по эксплуатации перед работой с инструментом.



При работе с инструментом надевайте защитные очки или маску.



При работе с инструментом надевайте наушники.



Всегда извлекайте аккумуляторную батарею из инструмента перед чисткой или техническим обслуживанием.



Остерегайтесь летящих предметов. Не допускайте присутствия посторонних лиц в области кошения.



Не подвержайте инструмент воздействию дождя или высокой влажности.



Гарантированная акустическая мощность в соответствии с Директивой 2000/14/ЕС.

Составные части

Ваше устройство может содержать все или некоторые из перечисленных ниже составных частей.

1. Пусковой выключатель
2. Воздуходувная труба
3. Аккумуляторная батарея

Зарядка батареи (только для BCBL200 L и BCBL200 L25) (Рис. А)

Зарядные устройства BLACK+DECKER предназначены для зарядки аккумуляторных батарей BLACK+DECKER.

- ◆ Перед установкой батареи (3) подключите зарядное устройство (4) к соответствующей розетке.
- ◆ Вставьте аккумуляторную батарею (3) в зарядное устройство, убедившись в том, что она хорошо установлена в соответствующие гнезда (Рисунок А).

Светодиод (4а) начнет мигать, что означает начало зарядки батареи.

По окончании зарядки светодиод начнет гореть непрерывно. Теперь батарея полностью заряжена, и ее можно использовать или оставить в зарядном устройстве.

- ◆ Заряжайте разряженные аккумуляторные батареи сразу же после использования, в противном случае вы значительно сократите срок службы аккумуляторных батарей.

Для продления срока службы аккумуляторных батарей, не заряжайте аккумуляторные батареи полностью. Рекомендуется заряжать аккумуляторные батареи после каждого использования.

Диагностика зарядного устройства

Это зарядное устройство может диагностировать некоторые проблемы аккумуляторных батарей или источника питания. При обнаружении проблем начинает мигать светодиодный индикатор.

Неисправная аккумуляторная батарея

Зарядное устройство может указать на неисправность аккумуляторной батареи. Светодиодный индикатор начнет мигать, как указано на маркировке. Если вы увидите, что индикатор мигает как указано на маркировке, прекратите зарядку аккумуляторной батареи. Отнесите неисправную

аккумуляторную батарею в сервисный центр или в специализированный центр для утилизации.

Температурная задержка

При слишком низкой или слишком высокой температуре аккумуляторной батареи зарядное устройство автоматически переходит в режим температурной задержки. При этом зарядка не начинается, пока температура аккумуляторной батареи не нормализуется. После того, как аккумуляторная батарея приобретет нормальную температуру, автоматически включается режим зарядки. Данная функция обеспечивает максимальный срок эксплуатации аккумуляторной батареи.

Индикатор начнет мигать, как указано на маркировке.

Хранение аккумуляторной батареи в зарядном устройстве

Зарядное устройство и аккумуляторную батарею можно оставить подключенными к сети с горящим светодиодным индикатором. Зарядное устройство будет поддерживать полную зарядку аккумуляторной батареи. Данное зарядное устройство имеет автоматический режим настройки, который выравнивает или уравнивает отдельные элементы в аккумуляторной батарее, чтобы она могла работать на максимальной мощности. Аккумуляторные батареи следует настраивать еженедельно или каждый раз, когда аккумуляторная батарея больше не выполняет ту же работу. Чтобы использовать режим автоматической настройки, установите аккумуляторную батарею в зарядное устройство и оставьте не менее чем на 8 часов.

Важные замечания по зарядке

- ◆ Для достижения максимального срока службы и наилучшей производительности аккумуляторную батарею следует заряжать при температуре окружающей среды от 18 до 24 °С. ЗАПРЕЩАЕТСЯ заряжать аккумуляторную батарею при температуре воздуха ниже +4,5 °С или выше +40 °С. Это очень важно и позволит избежать серьезных повреждений аккумуляторной батареи.
- ◆ При зарядке зарядное устройство и аккумуляторные батареи могут нагреваться. Это нормальное явление, которое не является неисправностью. Чтобы охладить аккумуляторные батареи после использования, не оставляйте зарядное устройство и аккумуляторные батареи в теплом месте, например, в железном ангаре или неизолированном трейлере.
- ◆ Если батарея не заряжается:
 - ◆ проверьте работу розетки, включив в нее лампу или другое устройство;

- ◆ проверьте, не подключена ли розетка к устройству, которое выключает питание, когда вы выключаете свет;
- ◆ переместите зарядное устройство и аккумуляторную батарею в место, где температура окружающей среды составляет приблизительно 18–24 °С;
- ◆ если проблемы с зарядкой сохраняются, отнесите инструмент, аккумуляторную батарею и зарядное устройство в ближайший сервисный центр.
- ◆ Данную аккумуляторную батарею необходимо перезаряжать, когда она перестает обеспечивать питание, необходимое для выполнения работ, которые ранее выполнялись без каких-либо проблем. ПРЕКРАТИТЕ ИСПОЛЬЗОВАНИЕ аккумуляторных батарей в этих случаях. Соблюдайте правила зарядки аккумуляторной батареи. Частично разряженную аккумуляторную батарею можно зарядить в любое время без какого-либо ущерба для нее.
- ◆ Не допускайте попадания в полости зарядного устройства таких токопроводящих материалов, как шлифовальная пыль, металлическая стружка, стальные волокна, алюминиевая фольга или другие металлические частицы и т. п. Всегда отключайте зарядное устройство от сети перед тем, как приступить к очистке инструмента.
- ◆ Не замораживайте зарядное устройство и не погружайте его в воду или другие жидкости.

Установка аккумуляторной батареи (только для VCBL200 L и VCBL200 L25) (Рис. В)

- ◆ Крепко вставьте аккумуляторную батарею (3) в инструмент до щелчка, как показано на Рисунке В. Убедитесь, что аккумуляторная батарея полностью встала на место и зафиксировалась.

Извлечение аккумуляторной батареи (Рис. С)

- ◆ Нажмите на отпирающую кнопку (3а) и извлеките аккумуляторную батарею (3) из инструмента (5), как показано на Рисунке С.

Установка воздуходувной трубы (Рис. D)

- ◆ Установите воздуходувную трубу (2) на корпус воздуходува, совместив язычки (2b) с пазами (2a). Чтобы снять воздуходувную трубу, нажмите на язычки (2a) и стяните трубу с инструмента.

Включение и выключение

Осторожно! При включении крепко удерживайте инструмент обеими руками.

Осторожно! Не направляйте инструмент на себя или посторонних лиц.

- ◆ Для включения воздуходува переместите выключатель вперед, как показано на Рисунке Е.
- ◆ Для выключения воздуходува переместите выключатель назад.

Эксплуатация

Осторожно! Всегда надевайте защитные очки.

Надевайте защитную маску, если работа поднимает много пыли. Рекомендуется надевать защитные перчатки, длинные брюки и прочную обувь. Держите длинные волосы и свободную одежду подальше от отверстий и движущихся частей. ДАННЫЙ САДОВЫЙ ВОЗДУХОДУВ ПРЕДНАЗНАЧЕН ТОЛЬКО ДЛЯ БЫТОВОГО ИСПОЛЬЗОВАНИЯ.

- ◆ Удерживайте садовый воздуходув одной рукой, как показано на Рисунке F, и с небольшой амплитудой покачивайте воздуходувной трубой из стороны в сторону над очищаемой поверхностью. Медленно двигайтесь вперед, собирая мусор перед собой.

Неисправности и способы их устранения

Неисправность	Возможная причина	Возможное решение
Инструмент не включается.	Аккумуляторная батарея установлена неправильно.	Проверьте правильность установки аккумуляторной батареи.
	Аккумуляторная батарея разряжена.	Проверьте заряд аккумуляторной батареи.
Аккумуляторная батарея не заряжается.	Аккумуляторная батарея не вставлена в зарядное устройство.	Вставьте аккумуляторную батарею так, чтобы загорелся зеленый светодиод.
	Зарядное устройство не подключено к сети.	Подключите зарядное устройство к рабочей розетке. См. подробную информацию в разделе «Важные замечания по зарядке».
		Проверьте исправность розетки, включив в нее лампу или другое устройство.
	Проверьте, не подключена ли розетка к устройству, которое выключает питание, когда вы выключаете свет.	
	Температура окружающей среды слишком высокая или слишком низкая.	Переместите зарядное устройство и аккумуляторную батарею в место с температурой выше 4,5 °С или ниже +40,5 °С.

Защита окружающей среды



Отдельная утилизация. Изделия и аккумуляторные батареи с данным символом на маркировке запрещается утилизировать с обычными бытовыми отходами.

Изделия и аккумуляторные батареи содержат материалы, которые могут быть извлечены или переработаны, снижая потребность в исходном сырье. Пожалуйста, утилизируйте электрические изделия и аккумуляторные батареи в соответствии с местными нормами.

Технические характеристики

		BCBL200 L	BCBL200 L25	BCBL200 B
Входное напряжение	V _{ноом. 200В}	18	18	18
Скорость без нагрузки	/мин	19500	19500	19500
Вес	кг	2,35	2,61	1,79
Аккумуляторная батарея		90617054	N637662	Не входит в комплект поставки
Напряжение	V _{ноом. 200В}	18	18	
Емкость	Ач	2,0	2,5	
Зарядное устройство		90634971	90606845-01	Не входит в комплект поставки

Вибрационная нагрузка на руку/плечо в соответствии с EN 50636-2-100:

= < 2,5 м/с, погрешность (К) = 1,5 м/с².

L_{ра} (звуковое давление) 81,5 дБ(А)

погрешность (К) = 0,7 дБ(А)

Заявление о соответствии нормам ЕС

**ДИРЕКТИВА ПО МЕХАНИЧЕСКОМУ ОБОРУДОВАНИЮ
ДИРЕКТИВА ПО ШУМАМ, ПРОИЗВОДИМЫМ ВНЕ
ПОМЕЩЕНИЯ**



**Садовый воздуходув BCBL200 L, BCBL200 L25,
BCBL200 B**

Black & Decker заявляет, что продукция, описанная в разделе «Технические характеристики» соответствует: 2006/42/EC, EN 60335-1: 2012+A11:2014; EN 50636-2-100:2014

2000/14/EC, Воздуходув, Приложение V
DEKRA Certification B.V., Meander 1051/P.O. Box 5185
6825MJ ARNEM / 6802ED ARNHEM, Нидерланды.
Идентификационный № уведомленного уполномоченного
органа: 0344

Уровень акустической мощности в соответствии с директивой 2000/14/EC
(Статья 13, Приложение III):

L_{WA} (измеренная акустическая мощность) 90,5 дБ(А)
Погрешность = 0,8 дБ(А)

L_{WA} (гарантированная акустическая мощность) 91 дБ(А)
Эти продукты также соответствуют Директивам 2014/30/
EU, 2011/65/EU.

За дополнительной информацией обращайтесь в компанию Black & Decker по адресу, указанному ниже или приведенному на задней стороне обложки руководства.

Нижеподписавшийся несет ответственность за составление технической документации и составил данную декларацию по поручению компании Black & Decker.

Р. Лейверик (R. Laverick)
Директор инженерного отдела
Black & Decker Europe, 210 Bath Road, Slough,
Berkshire, SL1 3YD
United Kingdom
21.08.2018

Гарантия

Компания Black & Decker с уверенностью в качестве своей продукции предлагает клиентам гарантию на 24 месяца с момента покупки. Данная гарантия является дополнительной и ни в коей мере не направлена на ущемление Ваших юридических прав. Гарантия действует на территории стран-участниц ЕС и в Европейской зоне свободной торговли.

Чтобы подать заявку по гарантии, заявка должна соответствовать положениям и условиям Black & Decker; кроме того, Вам потребуется предъявить продавцу или авторизованному специалисту по ремонту подтверждение покупки. Положения и условия 2-летней гарантии Black & Decker и местонахождение ближайшего авторизованного специалиста по ремонту можно узнать через интернет по адресу www.2helpU.com, или связавшись с местным представительством Black & Decker по адресу, указанному в данном руководстве.

Посетите наш веб-сайт www.blackanddecker.co.uk, чтобы зарегистрировать свое новое изделие Black & Decker и получать информацию о новинках и специальных предложениях.

**BLACK+
DECKER**

ГАРАНТИЙНЫЙ ТАЛОН

**2 ГОДА
ГАРАНТИИ**

1. Поздравляем Вас с покупкой высококачественного изделия Black+Decker и выражаем признательность за Ваш выбор.
2. При покупке изделия требуйте проверки его комплектности и исправности в Вашем присутствии, инструкцию по эксплуатации и заполненный Гарантийный талон на русском языке. В гарантийном талоне должны быть внесены: модель, дата продажи, серийный номер, дата производства инструмента; название, печать и подпись торговой организации. При отсутствии у Вас правильно заполненного Гарантийного талона, а также несоответствия указанных в нем данных, мы будем вынуждены отклонить Ваши претензии по качеству данного изделия.
3. Во избежание недоразумений, убедительно просим Вас перед началом работы с изделием внимательно ознакомиться с инструкцией по его эксплуатации. Правовой основой настоящих гарантийных условий является действующее Законодательство. Гарантийный срок на данное изделие составляет 24 месяцев и исчисляется со дня продажи. В случае устранения недостатков изделия, гарантийный срок продлевается на период его нахождения в ремонте. Срок службы изделия составляет 5 лет со дня продажи.
4. В случае возникновения каких-либо проблем в процессе эксплуатации изделия рекомендуем Вам обращаться только в уполномоченные сервисные центры Black+Decker, адреса и телефоны которых Вы сможете найти на сайте www.2helpU.com или узнать в магазине. Наши сервисные станции - это не только квалифицированный ремонт, но и широкий ассортимент запчастей и принадлежностей.
5. Производитель рекомендует проводить периодическую проверку и техническое обслуживание изделия в уполномоченных сервисных центрах.
6. Наши гарантийные обязательства распространяются только на неисправности, выявленные в течение гарантийного срока и вызванные дефектами производства и / или материалов.
7. Гарантийные условия не распространяются на неисправности изделия, возникшие в результате:
 - 7.1. Несоблюдения пользователем предписаний инструкции по эксплуатации изделия, применения изделия не по назначению, неправильном хранении, использования принадлежностей, расходных материалов и запчастей, не предусмотренных производителем.
 - 7.2. Механического повреждения (сколы, трещины и разрушения) внутренних и внешних деталей изделия, основных и вспомогательных рукояток, сетевого электрического кабеля, вызванного внешним ударным или любым иным воздействием.
 - 7.3. Попадания в вентиляционные отверстия и проникновение внутрь изделия посторонних предметов, материалов или веществ, не являющихся отходами, сопровождающими применение изделия по назначению, такими как: стружка, опилки, песок, и пр.
 - 7.4. Воздействия на изделие неблагоприятных атмосферных и иных внешних факторов, таких как дождь, снег, повышенная влажность, нагрев, агрессивные среды, несоответствие параметров питающей электросети, указанных на инструменте.
 - 7.5. Стихийного бедствия. Повреждение или утрата изделия, связанное с непредвиденными бедствиями, стихийными явлениями, в том числе вследствие действия непреодолимой силы (пожар, молния, потоп и другие природные явления), а также вследствие перепадов напряжения в электросети и других причин, которые находятся вне контроля производителя.
8. Гарантийные условия не распространяются:
 - 8.1. На инструменты, подвергавшиеся вскрытию, ремонту или модификации вне уполномоченного сервисного центра.
 - 8.2. На детали и узлы, имеющие следы естественного износа, такие как: приводные ремни и колеса, угольные щетки, смазка, подшипники, зубчатое зацепление редукторов, резиновые уплотнения, сальники, направляющие ролики, муфты сцепления, бойки, толкатели, стволы, и т.п.
 - 8.3. На сменные и расходные части: цанги, зажимные гайки и фланцы, фильтры, ножи, шлифовальные подошвы, цепи, звездочки, пильные шины, защитные кожухи, пилки, абразивы, пильные и абразивные диски, фрезы, сверла, буры и т.п.
 - 8.4. На неисправности, возникшие в результате перегрузки инструмента (как механической, так и электрической), повлекшей выход из строя одновременно двух и более деталей и узлов, таких как ротора и статора, обеих обмоток статора, ведомой и ведущей шестерни редуктора или других узлов и деталей. К безусловным признакам перегрузки изделия относятся, помимо прочего: появление цветов побежалости, деформация или оплавление деталей и узлов изделия, потемнение или обугливание изоляции проводов электродвигателя под воздействием высокой температуры.

Товар получен в исправном состоянии, без видимых повреждений, в полной комплектации, проверен в моем присутствии, претензий по качеству товара не имею. С условиями гарантийного обслуживания ознакомлен и согласен.

Ф. И. О. и подпись покупателя _____

Уважаемые клиенты, наша сеть авторизованных сервисных центров постоянно расширяется. Актуальную информацию об обслуживании в интересующем вас городе вы можете узнать на сайте

www.2helpU.com

Информация об инструменте

Наименование инструмента	
Модель	
Наименование продавца	
Дата продажи	

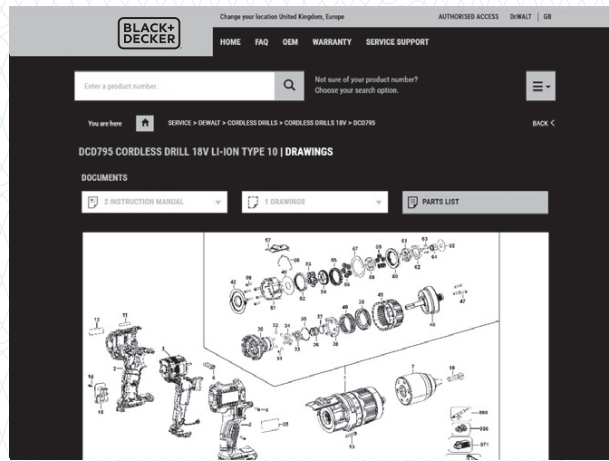
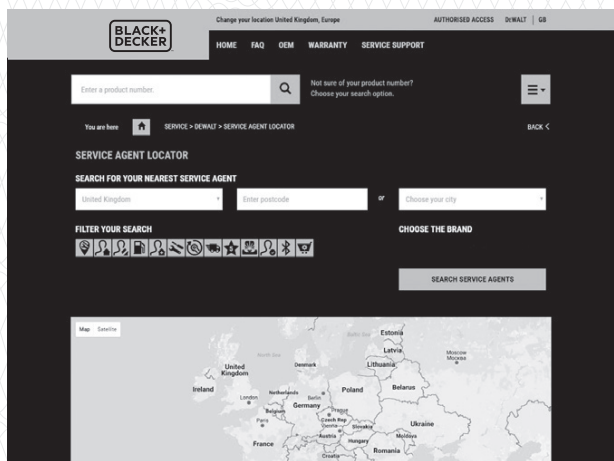
М.П.
Продавца

Серийный номер / Дата производства

Инструмент	
Зарядное устройство	
Аккумулятор 1	
Аккумулятор 2	

На сайте www.2helpU.com доступны следующие функции:

- Список авторизованных сервисных центров
- Удобный поиск ближайшего сервисного центра
- Руководство по эксплуатации
- Технические характеристики
- Список деталей и запасных частей
- Схема сборки инструмента



Также данную информацию вы можете получить, позвонив по телефону:

8(800) 1000 876

ОТМЕТКА О ПРОВЕДЕНИИ СЕРВИСНОГО ОБСЛУЖИВАНИЯ

№1	№2	№3	№4
№ заказа	№ заказа	№ заказа	№ заказа
Дата поступления	Дата поступления	Дата поступления	Дата поступления
Дата ремонта	Дата ремонта	Дата ремонта	Дата ремонта
Печать и подпись сервисного центра	Печать и подпись сервисного центра	Печать и подпись сервисного центра	Печать и подпись сервисного центра