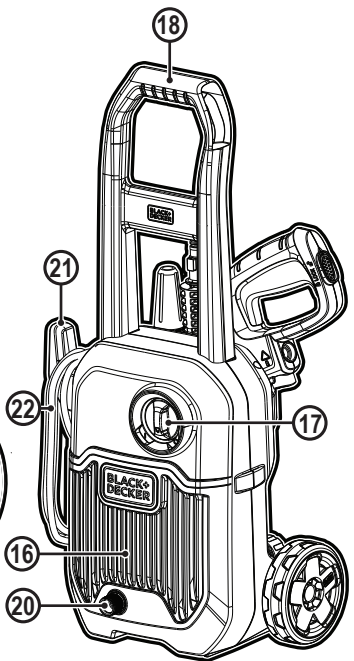
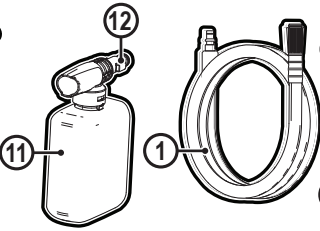
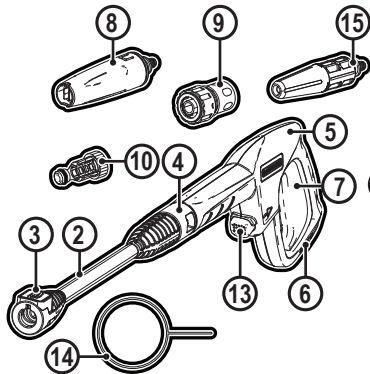
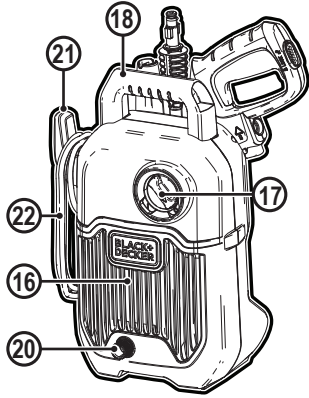




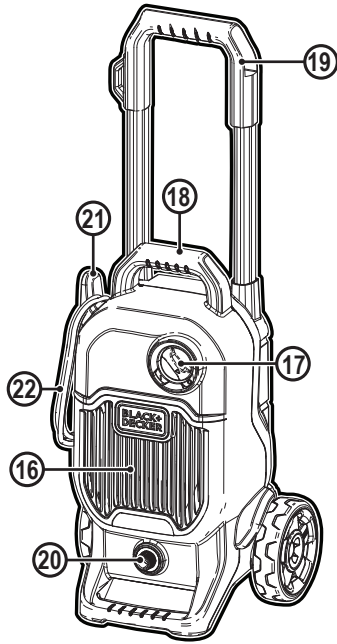
©



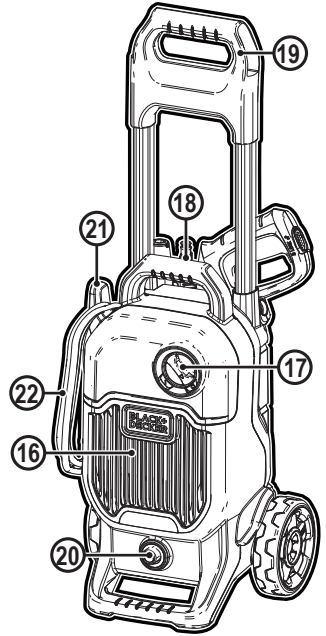
BEPW1300L & BEPW1650



BEPW1300

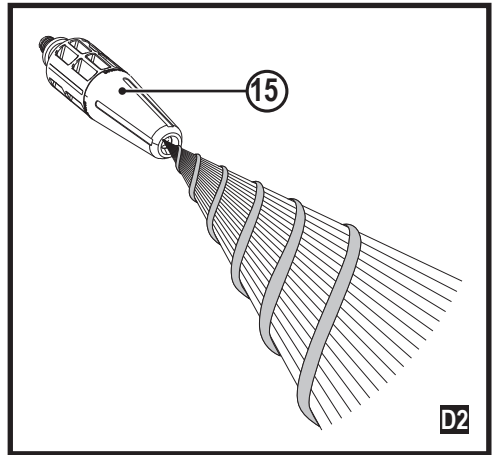
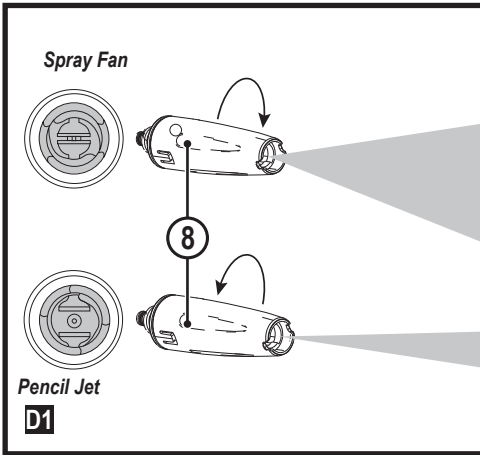
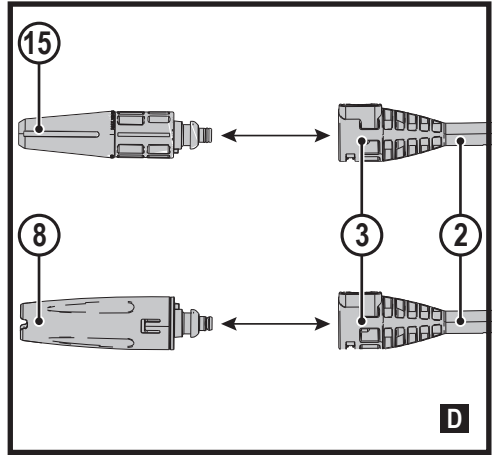
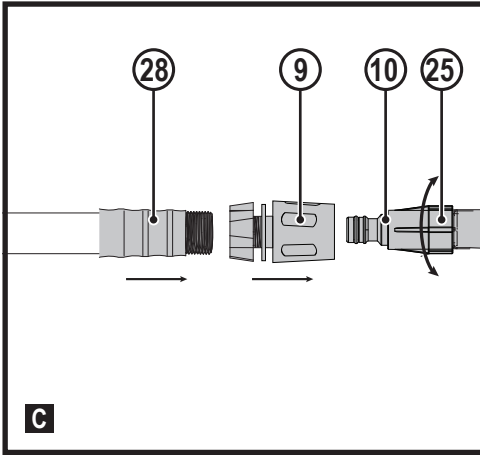
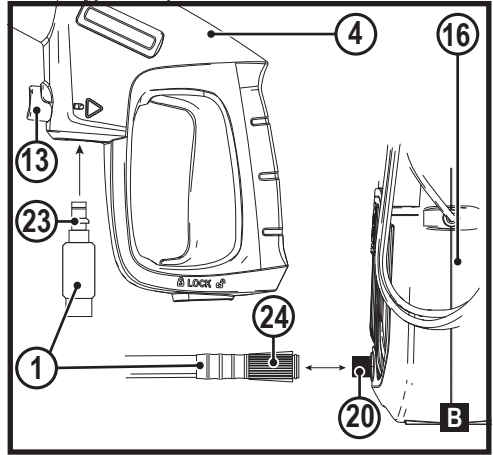
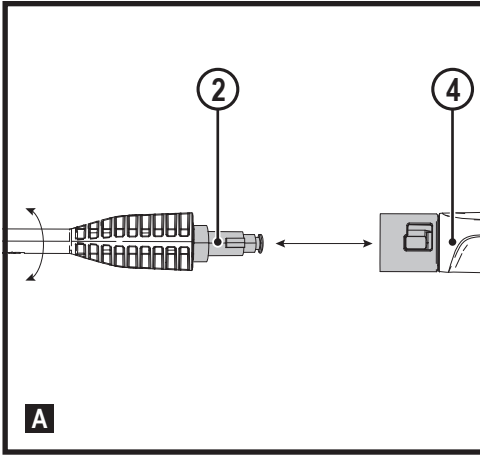


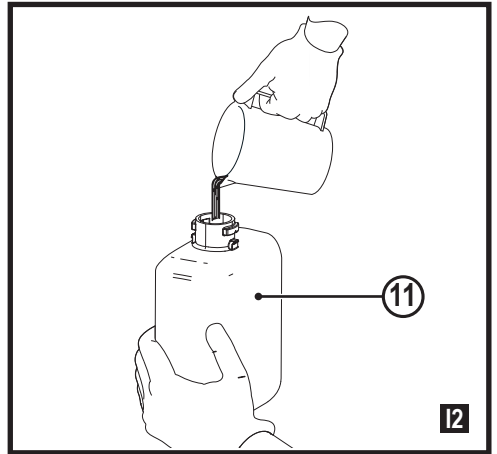
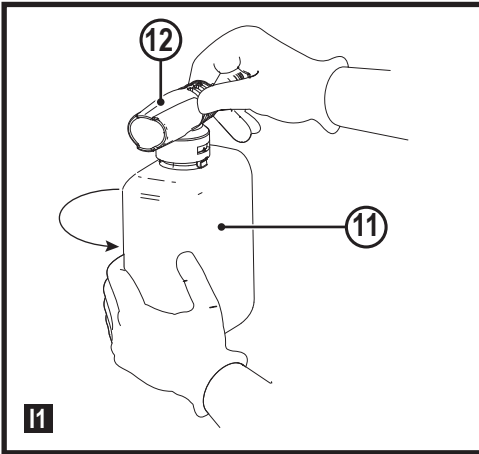
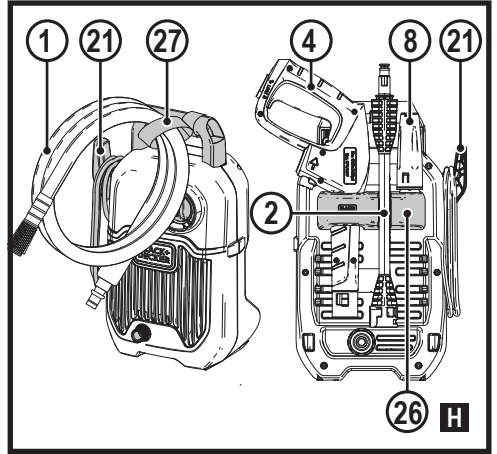
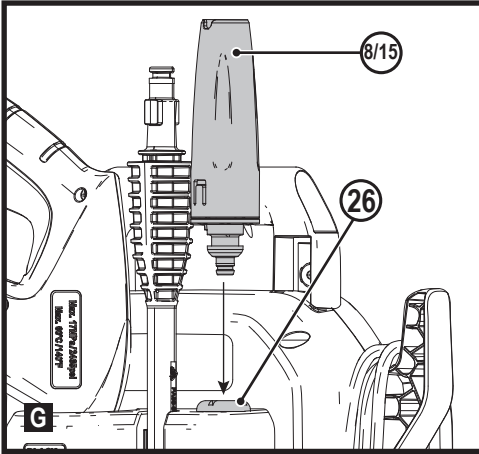
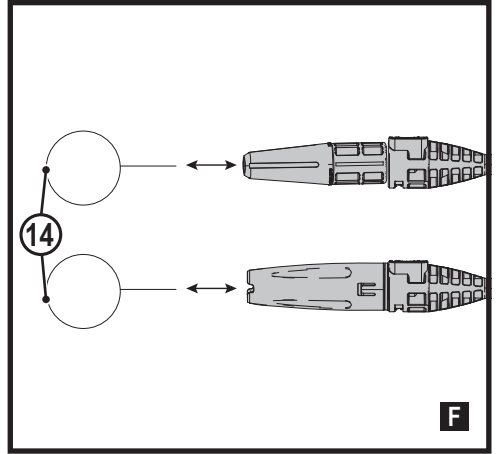
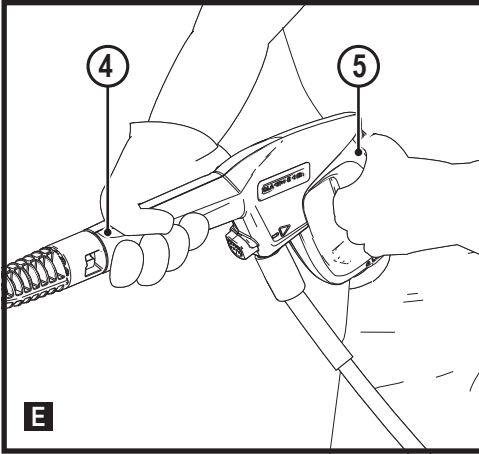
BEPW1700

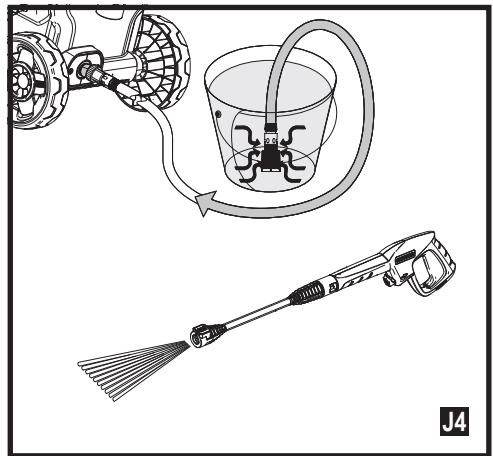
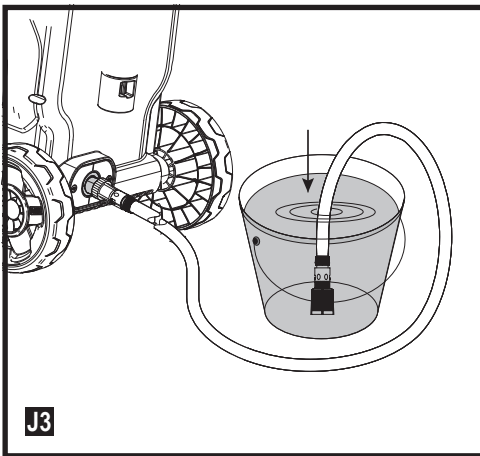
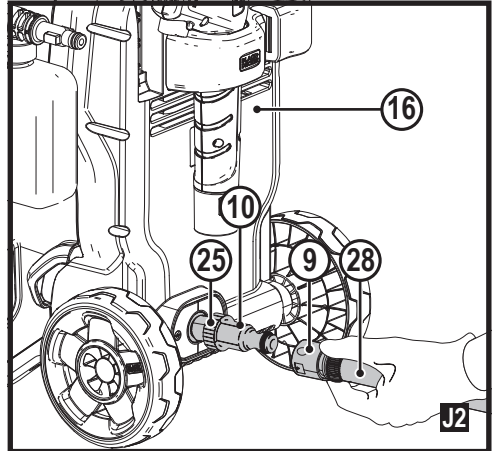
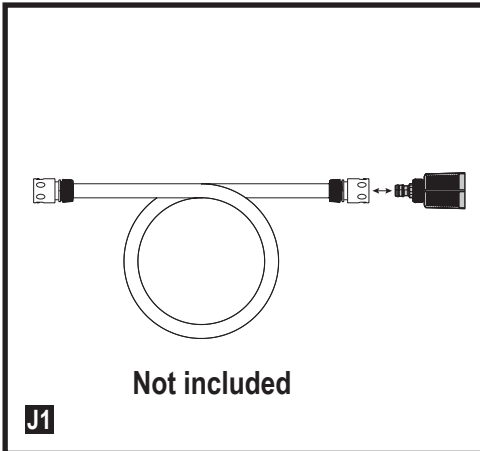
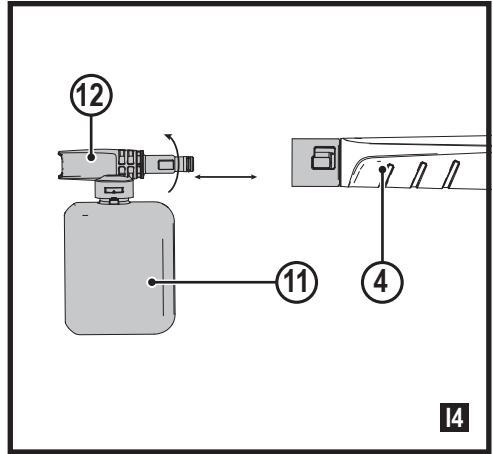
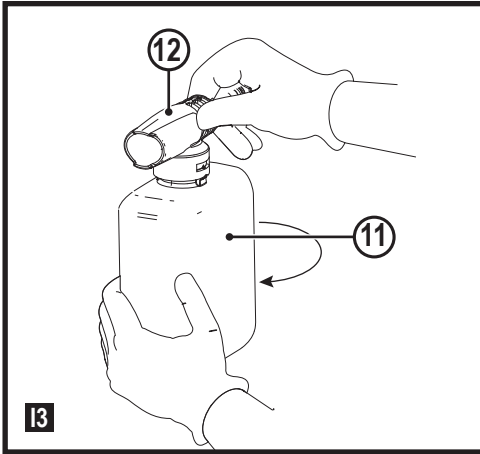


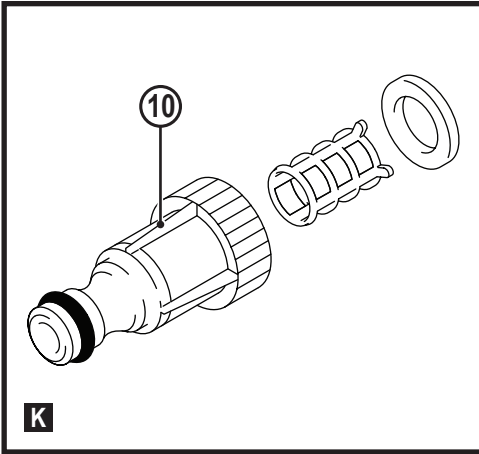
BEPW2000

English (Original instructions)	6
Deutsch (Übersetzung der Originalanweisung)	14
Français (Traduction de la notice d'instructions originale)	22
Italiano (Tradotto dalle istruzioni originali)xa	31
Nederlands (Vertaald vanuit de originele instructies)	39
Español (Traducido de las instrucciones originales)	48
Português (Traduzido das instruções originais)	56
Svenska (Översatt från de ursprungliga instruktionerna)	65
Norsk Oversatt fra de originale instruksjonene)	72
Dansk (Oversat fra original brugsvejledning)	78
Suomi (Käännetty alkuperäisestä käyttöohjeesta)	87
Ελληνικά (Μετάφραση από τις πρωτότυπες οδηγίες)	94









- ♦ The electric supply connection shall be made by a qualified electrician and comply with IEC 60364-1. It is recommended that the electric supply to this machine should include either a residual current device that will interrupt the supply if the leakage current to earth exceeds 30 mA for 30 ms or a device that will prove the earth circuit.
- ♦ During putting into service, safe operation, handling, transportation, and storage of the machine taking into account its weight.



WARNING: Risk of injection or injury – do not direct discharge stream at persons or animals.



WARNING: Read this entire manual before attempting to assemble, operate or install the product.



WARNING: This unit was designed for specific applications. It should not be modified and/or used for any application other than that which it was designed.

NOTICE: Always store your pressure washer in a location where the temperature will not fall below 40 °F (4 °C). freeze damage is not covered by the warranty.

1. Do not touch plug or outlet with wet hands.
2. **Avoid accidental starts.** Move switch on unit to OFF position before connecting or disconnecting cord to electrical outlets.
3. Water spray must never be directed towards any electric wiring or directly towards the pressure washer machine itself or fatal electric shock may occur.
4. **Never carry your pressure washer by the cord.** Do not pull on the cord to disconnect from the outlet.
5. To prevent damage, the cord should not be crushed, placed next to sharp objects or near a heat source.
6. **Check power cords before using.** Damaged cords can reduce performance of pressure washer or cause a fatal electrical shock
7. **The narrow pin point stream is very powerful.** It is not recommended for use on painted surfaces, wood surfaces or items attached with an adhesive backing.
8. Keep operating area clear of all persons and animals.
9. Always use both hands when operating pressure washer to maintain complete control of the wand.
10. **Do not touch nozzle or water spray while operating.** Never place hands in front of nozzle.
11. **Wear safety goggles while operating.** Wear protective clothing and footwear to protect against accidental spraying.
12. Disconnect power plug from the outlet when not in use and prior to the detaching of the high pressure hose.
13. **Never tie knots or kink the high pressure hose as damage could result. Inspect the high pressure hose regularly.**

Intended use

Your BLACK+DECKER Tpressure washer is intended for household use for cleaning boats, cars, decks, driveways, grills, house siding, motorcycles, patios, and outdoor furniture. Do not let children come into contact with the tool. Supervision is required when inexperienced operators use this tool. This tool is intended for consumer use only.

Safety instructions

IMPORTANT SAFETY INSTRUCTIONS



WARNING: When using this pressure washer, basic safety precautions should always be followed including the following:

- ♦ If the supply cord is damaged, it must be replaced by the manufacturer or an authorised BLACK+DECKER Service Centre in order to avoid a hazard.
- ♦ This machine is not intended for use by persons (including children) with reduced physical, sensory or mental capabilities, or lack of experience and knowledge.
- ♦ Children should be supervised to ensure that they do not play with the appliance.
- ♦ Read all the instructions before using the product.
- ♦ To reduce the risk of injury, close supervision is necessary when a product is used near children.
- ♦ Know how to stop the product and bleed pressures quickly. Be thoroughly familiar with the controls.
- ♦ Stay alert – watch what you are doing.
- ♦ Do not operate the product when fatigued or under the influence of alcohol or drugs.
- ♦ Keep operating area clear of all persons and animals.
- ♦ Do not overreach or stand on unstable support. Keep good footing and balance at all times.
- ♦ Follow the maintenance instructions specified in the manual.

Replace the hose immediately if it is damaged, worn or shows any signs of cracks, bubbles, pinholes, or other leakage.

Never grasp a high-pressure hose that is leaking or damaged.

14. **Do not operate or store this product in temperatures below 40 °F (4 °C).** Freeze damage is not covered by the warranty.
15. **Carefully observe all chemical instructions and warnings before using. Use only approved pressure washer cleaners. Do not use bleach, chlorine, or any cleaners containing acids. Always follow manufacturer's label recommendations for proper use of cleaners.** Always protect eyes, skin and respiratory system from cleaners.
16. **The pressure washer should not be used in areas where gas vapors may be present.** An electric spark could cause an explosion or fire.
17. To minimize the amount of water getting into the pressure washer, the unit should be placed as far as possible from the cleaning site during operation.
18. To prevent accidental discharge, the spray gun should be secured by locking the trigger when not in use.
19. To allow free air circulation, the pressure washer should NOT be covered during operation.
20. **Never touch, grasp or attempt to cover a pinhole or similar water leak on the high-pressure hose.** The stream of water IS under high pressure and WILL penetrate skin.
21. **Use only hoses and accessories rated for pressure higher than your pressure washer's PSI / Bar.** Never use with any other manufacturer's accessories or components.
22. Never defeat the safety features of this product.
23. Do not operate machine with missing, broken or unauthorised parts.
24. Never spray flammable liquids or use pressure washer in areas containing combustible dust, liquid, or vapors.



WARNING : This machine has been designed for use with the cleaning agent supplied or recommended by the manufacturer. The use of other cleaning agents or chemicals may adversely affect the safety of the machine.



WARNING: During use of high pressure cleaners, aerosols may be formed. Inhalation of aerosols can be hazardous to health.



WARNING: High pressure jets can be dangerous if subject to misuse. The jet must not be directed at persons, live electrical equipment or the machine itself.



WARNING: Do not use the machine within range of persons unless they wear protective clothing.



WARNING: Do not direct the jet against yourself or others in order to clean clothes or foot-wear.



WARNING: Risk of explosion – Do not spray flammable liquids.



WARNING: High pressure cleaners shall not be used by children or untrained personnel.



WARNING: High pressure hoses, fittings and couplings are important for the safety of the machine. Use only hoses, fittings and couplings recommended by the manufacturer.



WARNING: To ensure machine safety, use only original spare parts from the manufacturer or approved by the manufacturer.



WARNING: Water that has flowed through backflow preventers is considered to be nonpotable.



WARNING: the machine shall be disconnected from its power source during cleaning or maintenance and when replacing parts.



WARNING: Do not use the machine if a supply cord or important parts of the machine are damaged, e.g. safety devices, high pressure hoses, trigger gun.



WARNING: Inadequate extension cords can be dangerous. If an extension cord is used, it shall be suitable for outdoor use, and the connection has to be kept dry and off the ground. It is recommended that this is accomplished by means of a cord reel which keeps the socket at least 60 mm above the ground.



WARNING : Always switch off the mains disconnecting switch when leaving the machine unattended.



WARNING: Depending on the application, shielded nozzles can be used for high pressure cleaning, which will reduce the emission of hydrous aerosols dramatically. However, not all applications allow the use of such a device. If shielded nozzles are not applicable for the protection against aerosols, a respiratory mask of class FFP 2 or equivalent may be needed, depending on the cleaning environment.

Safety of others

- ♦ This tool is not intended for use by persons (including children) with reduced physical, sensory or mental capabilities, or lack of experience and knowledge, unless they have been given supervision or instruction concerning use of the tool by a person responsible for their safety.
- ♦ Children should be supervised to ensure that they do not play with the appliance.

Vibration

The declared vibration emission values stated in the technical data and the declaration of conformity have been measured in accordance with a standard test method provided by EN60335-2-79 and may be used for comparing one tool with another. The declared vibration emission value may also be used in a preliminary assessment of exposure.



WARNING: The vibration emission value during actual use of the Pressure Washer can differ from the declared value depending on the ways in which the tool is used. The vibration level may increase above the level stated.

When assessing vibration exposure to determine safety measures required by 2002/44/EC to protect persons regularly using power tools in employment, an estimation of vibration exposure should consider, the actual conditions of use and the way the tool is used, including taking account of all parts of the operating cycle such as the times when the tool is switched off and when it is running idle in addition to the trigger time.

Labels on tool

The following symbols are shown on the tool along with the date code:



Warning! To reduce the risk of injury, the user must read the instruction manual.



Wear eye protection.



Wear ear protection.



Machine not suitable for connection to the portable water mains.



Directive 2000/14/EC guaranteed sound power. BEPW1300



Directive 2000/14/EC guaranteed sound power. BEPW1300L



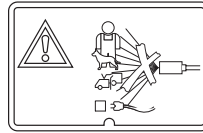
Directive 2000/14/EC guaranteed sound power. BEPW1650



Directive 2000/14/EC guaranteed sound power. BEPW1700



Directive 2000/14/EC guaranteed sound power. BEPW2000



Never direct the water jet at people, animals, the machine or electric components

Electrical safety



This tool is double insulated; therefore no earth wire is required. Always check that the power supply corresponds to the voltage on the rating plate.

Voltage drops (only for BEPW2000)

Inrush currents cause short-time voltage drops. Under unfavourable power supply conditions, other equipment may be affected. If the system impedance of the power supply is lower than 0.378 Ω, disturbances are unlikely to occur.

Features

1. High pressure hose
2. Spray wand
3. Nozzle button
4. Spray handle
5. Spray handle grip
6. Trigger lock-off
7. Trigger
8. Spray fan to pencil jet nozzle
9. Hose connector
10. Filter
11. Soap bottle
12. Soap bottle applicator
13. Hose connect button
14. Nozzle cleaning tool
15. Turbo nozzle (BEPW2000)
16. Pressure washer unit
17. ON/OFF dial
18. Handle
19. Retractable handle (BEPW1700, BEPW2000)
20. High pressure water outlet
21. Cord retaining hook
22. Power cord

Assembly and Adjustments



WARNING: Before attempting any of the following operations, make sure that the tool is switched off and unplugged.

Attaching Spray Handle (Fig. A)

1. To connect the spray handle (4) to the spray wand (2), insert the end of the spray handle onto the end of the spray wand.
2. Press in and turn the spray handle counterclockwise to lock it into position.

Attaching High Pressure Hose (Fig. B)

NOTICE: Never pull high pressure hose or water supply hose to move pressure washer. This could damage hose and/or pump inlet and/or pump outlet.

1. To connect the high pressure hose (1) to the spray handle (4), depress the hose connect button (13) while clicking the hose end (23) into the spray handle. Release the hose connect button when the hose end has clicked into position.
2. To connect the high pressure hose to the pressure washer unit (16), screw the hose collar (24) onto the high pressure water outlet (20).
NOTE: Uncoil the high pressure hose before installation to prevent kinks.
NOTE: Avoid cross threading when installing the hose. Cross threading will cause leaks.

Attaching Garden Hose (Fig. C-J2)

NOTE: Before connecting the garden hose to the pressure washer unit, run water through the garden hose for thirty seconds to clear any debris from inside the garden hose.

1. To connect the garden hose to the pressure washer unit (16), screw the filter (10) to the water intake (25).
2. Connect the garden hose to the hose connector (9) by loosening the screw of the garden connector and attaching the hose onto the connector. Connect the garden hose to the hose connector (9) by screwing the garden hose to the garden connector.
3. Attach the garden hose (28) mounted onto the garden connector to the filter (10) until it "clicks".
NOTE: Always disconnect the garden hose after usage.

Attaching Nozzles (Fig. D)



DANGER: Risk of fluid injection. Do not direct discharge stream toward persons, unprotected skin, eyes or any pets or animals. Serious injury will occur.



WARNING: Flying objects could cause risk of serious injury. DO NOT attempt to change nozzles while pressure washer is running. Turn pressure washer unit OFF before changing nozzles.

1. To connect a nozzle to the spray wand (2), depress the nozzle button (3) on the spray wand and insert the appropriate nozzle.
2. Release the button to lock the nozzle in place.
3. Give the nozzle a firm tug to ensure the nozzle is locked into place.

Spray Fan to Pencil Jet Nozzle

Adjusting Fan Pattern (Fig. D1, D2)

The angle of spray coming out of the spray wand may be adjusted by rotating the nozzle. This will vary the spray pattern from approximately a 0 ° narrow high impact stream to a 60 ° wide fan spray.

A wide fan pattern distributes the impact of the water over a larger area, resulting in excellent cleaning action with a reduced risk of surface damage. Large surface areas can be cleaned more quickly using a wide fan pattern.

A narrow pencil jet stream distributes the impact of the water in a concentrated area, resulting in a high impact force on the cleaning surface. Use a narrow pencil jet stream for deep cleaning in a concentrated area. However, use it cautiously, as it may damage some surfaces.

Attaching Soap Bottle (Fig. I4)

To connect the soap bottle (11) to the spray handle (4), insert the end of the soap bottle inside the spray handle and turn the soap bottle counterclockwise to lock it into position.

NOTE: The wand and soap bottle cannot be installed at the same time.

NOTE: The soap bottle should be positioned underneath the barrel of the spray handle. Do not position the soap bottle above the barrel of the plastic gun as this will lead to soap dripping on the barrel.

Spray fan to pencil jet nozzle	For gentle wide area cleaning.
Turbo Nozzle	For abrasive cleaning. (Included with BEPW2000 model only)

Operation



WARNING: To reduce the risk of serious personal injury, turn unit off and disconnect it from power source before making any adjustments or removing/ installing attachments or accessories. An accidental start-up can cause injury.

Proper Hand Position (Fig. E)



WARNING: To reduce the risk of serious personal injury, **ALWAYS** use proper hand position as shown.



WARNING: To reduce the risk of serious personal injury, **ALWAYS** hold securely in anticipation of a sudden reaction.

Proper hand position requires one hand on the spray handle grip (5) and the other hand on the spray handle (4).

Pressure Washing

Preparing Surface for Cleaning

- Remove objects from the area which could create a hazard such as children's toys or outdoor furniture.
- Insure that all doors and windows are closed tight.
- Protect all plants and trees in the adjacent area with a drop cloth ensuring that they will not be harmed by any overspray.
- Pre-rinse cleaning area with fresh water.
- Use only detergents formulated for pressure washers.
- Always test detergent in an inconspicuous area before use.

Use a system separator as per IEC 61770 Type BA. Water flowing through a system separator is not considered drinkable.

- Comply with the regulations of your water supply company.
- All connecting hoses must have properly sealed joints.
- Make sure the supply hose is at least 12.7 mm in diameter and is reinforced.
- The appliance should never be used on the drinking water supply without a backflow valve. Water that has passed the backflow valve is considered undrinkable.

Preparing Pressure Washer Unit for Use (Fig. J1, J2, J3, J4)



DANGER: Risk of fluid injection and laceration. When using the high-pressure setting, DO NOT allow the high-pressure spray to come in contact with unprotected skin, eyes, or with any pets or animals. Serious injury will occur.



CAUTION: Before operation:

1. Connect the garden hose to a water supply. Water can be drawn from a faucet or another water supply. Refer to **Self Priming** under Preparing Pressure Washer Unit for Use.
2. Connect the high pressure hose to the pressure washer and the spray handle. For instructions on connecting the high pressure hose to the pressure washer and spray handle, please refer to **Attaching High Pressure Hose** under Assembly and Adjustments.
3. Connect the garden hose to the pressure washer. For instructions on connecting the water supply to the pressure washer, please refer to **Attaching Garden Hose** under Assembly and Adjustments.
4. Plug the power cord into an appropriate power source.

Preparing Spray Handle

IMPORTANT: Before turning on the pressure washer unit, disengage the trigger lock-off (6) and squeeze the trigger (7).

1. Disengage the trigger lock-off (6) .
2. Squeeze the trigger (7) . Hold the trigger for 30 seconds to purge the system of air.
3. If air is still found in the water stream, continue to run water through the spray handle.

Water Connection



WARNING: According to the applicable regulations, the appliance must never be used on the drinking water network without a system separator.



Cleaning a Surface

1. To start the pressure washer, rotate the ON/OFF dial (17) to the ON position.
2. Confirm that the water faucet is open or use any other water source so that water will be supplied to the pressure washer unit.
3. The best angle for spraying water against a cleaning surface is 45 ° .
 - Spraying head on tends to cause dirt particles to imbed in the surface.
 - When working on vertical surfaces, it is best to apply detergent starting at the bottom and working upwards which will prevent the detergent from sliding down and causing streaks.
4. To disengage the spray handle, release the trigger.

NOTE: Excessive pump pressure may be the result of a clogged nozzle. Always turn OFF the pressure washer unit and unplug the unit before attempting to unclog a nozzle.

Detergents (Fig. I1, I2, I3, I4)

For steps on attaching the detergent/soap bottle, please refer to **Attaching Soap Bottle** under Assembly and Adjustments.

The use of detergents can dramatically reduce cleaning time and assist in the removal of difficult stains. Some detergents have been customized for pressure washer use on specific cleaning tasks. The cleaning power of detergents comes from applying them to a surface and giving the chemicals time to break down the dirt and grime. Detergents work best when applied at low pressure.

The combination of chemical action and high pressure rinsing is very effective. On vertical surfaces, apply the detergent starting at the bottom and work your way upward. This will prevent the detergent from sliding down and causing streaks. High pressure rinsing should also progress from the bottom to top. On particularly tough stains, it may be necessary to use a brush in combination with detergents and high pressure rinsing.

Moving the Pressure Washer

1. Turn OFF the pressure washer unit (16) by rotating the ON/OFF dial (17) to the OFF position and then turn OFF the water supply.

2. Point the spray wand (2) in a safe direction and pull the trigger (7) to release remaining water pressure.
3. When the spray wand is completely empty, lift the pressure washer by the handle (18).

Shutdown

1. Turn OFF the pressure washer unit (16) by rotating the ON/OFF dial (17) to the OFF position and unplug the cord from the outlet.
2. Turn OFF water at the faucet or disconnect from any other water source.
3. Discharge residual pressure by squeezing the trigger (7) until no more water comes out of the spray wand (2).
4. Engage the spray trigger lock-off (6).
5. Disconnect the garden hose (28) from the water intake (25).
6. Disconnect the high pressure hose (1) from the high pressure water outlet (20) and drain hose.

Self Priming

1. Connect the inlet hose to the pressure washer.
Refer to **Attaching Garden Hose** under Assembly and Adjustments.
2. Place the free end of the hose with filter attached into the alternative water source (e.g. bucket, etc.)
3. Connect the high pressure hose to the spray handle.
Please refer to **Attaching High Pressure Hose** under Assembly and Adjustments.
4. Plug the pressure washer unit into a power source.
5. Actuate the pressure washer by rotating the ON/OFF dial to the ON position.
6. Turn OFF the pressure washer as soon as water is spraying out of the outlet tube of the unit.
7. Unplug the pressure washer unit from the power source.
8. Assemble the high pressure hose to the outlet tube of the pump.
9. Plug the pressure washer unit into a power source.
10. Actuate the pressure washer by rotating the ON/OFF dial to the ON position.
11. Actuate the trigger of the spray handle to start cleaning work.

Maintenance

Your BLACK+DECKER tool has been designed to operate over a long period of time with a minimum of maintenance. Continuous satisfactory operation depends upon proper tool care and regular cleaning.



Warning! Before performing any maintenance on the tool.

- Regularly clean the ventilation slots in your tool using a soft brush or dry cloth.

- Regularly clean the motor housing using a damp cloth. Do not use any abrasive or solvent-based cleaner.

Cleaning

Nozzle Cleaning (Fig. A, G)

If the nozzle becomes clogged with foreign materials, such as dirt, excessive pressure may develop. If the nozzle becomes partially clogged or restricted, the pump pressure will pulsate. Clean the nozzle immediately using the nozzle cleaner.

1. Turn OFF and unplug the pressure washer unit (16).
2. Turn OFF the water supply.
3. Pull trigger (7) on spray handle (4) to relieve any water pressure.
4. Remove the nozzle from the spray wand (2) by depressing the button (3).
5. Using the nozzle cleaning tool (14), unplug any debris from the nozzle.
6. Run water from a faucet or garden hose through the nozzle.

Filter Cleaning (Fig. K)

Inspect the filter (10) before each use and clean if necessary. Remove the filter element and run under clear water to remove any debris.

Storage

- Store in a dry, covered location above freezing temperature. STORE INDOORS.
- Always completely empty water from high pressure hose, pressure washer unit, nozzles, and spray wand.
- Nozzles can be stored in the unit as shown in Fig. H.
NOTE: The turbo (BEPW2000) or pen to fan nozzles can be stored on the wand.
- Power cord can be stored coiled up and secured with the cord retaining hook (21) as shown in Fig. I.
- High pressure hose (1) can be stored coiled up and secured on the handle (18) with the help of the hook and latch strap (27) as shown in Fig. I.
- The spray handle (4) can be stored onto the rear of the unit using the bracket (26) as shown in Fig. I.
- The spray wand (2) can be stored onto the rear of the unit using the bracket (26) as shown in Fig. I.

Mains plug replacement (U.K. & Ireland only)

If a new mains plug needs to be fitted:

- Safely dispose of the old plug.
- Connect the brown lead to the live terminal in the new plug.
- Connect the blue lead to the neutral terminal.



Warning! No connection is to be made to the earth terminal. Follow the fitting instructions supplied with good quality plugs.

Recommended fuse: 13 A.

Protecting the environment



Separate collection. Products and batteries marked with this symbol must not be disposed of with normal household waste.

Products and batteries contain materials that can be recovered or recycled, reducing demand for raw materials. Please recycle electrical products and batteries according to local provisions. Further information is available at www.2helpU.com

Technical data

	BEPW1300	BEPW1300L	BEPW1650	BEPW1700	BEPW2000
Type	1	1	1	1	1
Power	1300W _{max (DIN6)}	1300W _{max (DIN6)}	1650W _{max (DIN6)}	1700W _{max (DIN6)}	2000W _{max (DIN6)}
Rated Flow Rate	5.2 L/min	5.2 L/min	5.5 L/min	5.5 L/min	5.8 L/min
Max Flow Rate	6.6 L/min	6.6 L/min	6.8 L/min	6.8 L/min	7.5 L/min
Rated Pressure (Bar/PSI/MPa)	74 / 1073 / 7.4	74 / 1073 / 7.4	80 / 1160 / 8	83.5 / 1211 / 8.35	105 / 1523 / 10.5
Max Pressure (Bar/PSI/MPa)	110 / 1600 / 11	110 / 1600 / 11	120 / 1740 / 12	125 / 1810 / 12.5	150 / 2175 / 15
Water Temp	50 ° C	50 ° C	50 ° C	50 ° C	50 ° C
Inlet Water	Cold Clean water	Cold Clean water	Cold Clean water	Cold Clean water	Cold Clean water
Guaranteed sound power level L _{WA} dB(A)	92	92	91	91	93
Maximum Input Pressure MPa	1.0	1.0	1.0	1.0	1.0
Motor Protection	IPX5	IPX5	IPX5	IPX5	IPX5
Motor Type	Brushed	Brushed	Brushed	Brushed	Brushed
Pump	Aluminum	Aluminum	Aluminum	Aluminum	Aluminum
Self Priming	Yes	Yes	Yes	Yes	Yes
Hose Length	3M	3M*	3M*	6M	6M
Integrated Filter	Yes	Yes	Yes	Yes	Yes
Weight	4.9 kg	5.3 kg	5.3 kg	6.3 kg	8.2 kg
Repulsive Force of the Gun to the Maximum Pressure	21N	21N	21N	21N	21N

*PA/KI/KIT = 6M

N&V test data:

BEPW1300:

Emission sound pressure level L_{PA}: 77.0 dB(A);

K=3.0 dB(A)

Measured sound power level: L_{WA}: 89.0 dB(A); K=2.8 dB(A)

Vibration emission value ah: less than 2.5 m/s²; K=0.6 m/s²

BEPW1300L:

Emission sound pressure level L_{PA}: 77.0 dB(A); K=3.0 dB(A)

Measured sound power level: L_{WA}: 89.0 dB(A); K=2.8 dB(A)
 Vibration emission value ah: less than 2.5 m/s²; K=0.6 m/s²
 BEPW1650:

Emission sound pressure level L_{PA}: 75 dB(A); K= 3 dB(A)

Measured sound power level: L_{WA}: 88 dB(A); K= 2.2 dB(A)

Vibration emission value ah: less than 2.5m/s²; K= 0.5m/s²
 BEPW1700:

Emission sound pressure level L_{PA}: 75 dB(A); K= 3 dB(A)

Measured sound power level: L_{WA}: 88 dB(A); K= 2.2 dB(A)

Vibration emission value ah: less than 2.5m/s²; K= 0.5m/s²
 BEPW2000:

Emission sound pressure level L_{PA}: 78 dB(A); K=3.0 dB(A)

Measured sound power level: L_{WA}: 91.0 dB(A); K=1.4 dB(A)

Vibration emission value ah: less than 2.5 m/s²; K=0.6 m/s²

EC declaration of conformity

**MACHINERY DIRECTIVE
 OUTDOOR NOISE DIRECTIVE**



BEPW1300, BEPW1300L, BEPW1650, BEPW1700,
 BEPW2000 Pressure Cleaner

Black & Decker declares that these products described under "technical data" are in compliance with:

2006/42/EC, EN 60335-1:2012+A11:2014+A13:2017+A1:2019 +A14:2019+A2:2019+A15:2021, EN60335-2-79:2012.

2000/14/EC, Annex V

BEPW1300:

Measured sound power level: L_{WA}: 89.0 dB(A); K=2.8 dB(A)

The guaranteed sound power level L_{WA}: 92 dB(A)

BEPW1300L:

Measured sound power level: L_{WA}: 89.0 dB(A); K=2.8 dB(A)

The guaranteed sound power level L_{WA}: 92 dB(A)

BEPW1650:

Measured sound power level: L_{WA}: 88 dB(A); K= 2.2 dB(A)

The guaranteed sound power level L_{WA}: 91 dB(A)

BEPW1700:

Measured sound power level: L_{WA}: 88 dB(A); K= 2.2 dB(A)

The guaranteed sound power level L_{WA}: 91 dB(A)

BEPW2000:

Measured sound power level: L_{WA}: 91.0 dB(A); K=1.4 dB(A)

The guaranteed sound power level L_{WA}: 93 dB(A)

These products also comply with Directive 2014/30/EU and 2011/65/EU.

For more information, please contact Black & Decker at the following address or refer to the back of the manual.

Black & Decker

The undersigned is responsible for compilation of the technical file and makes this declaration on behalf of Black & Decker.



Patrick Diepenbach
General Manager, Benelux
Black and Decker,
Egide Walschaertsstraat 14-18
2800 Mechelen, Belgium
27/04/2023



Paul Featherstone
Product Director, Outdoors Group
Black and Decker UK,
270 Bath Road, Slough
Berkshire, SL1 4DX
England
27/04/2023

Supply of Machinery (Safety) Regulations 2008



BEPW1300, BEPW1300L, BEPW1650, BEPW1700,
BEPW2000 Pressure Cleaner

Black & Decker declares that these products described under
"technical data" are in compliance with:

The Supply of Machinery (Safety) Regulations, 2008, S.I.
2008/1597 (as amended),

EN 60335-1:2012+A11:2014+A13:2017+A1:2019+A14:2019+
A2:2019+A15:2021, EN60335-2-79:2012.

BEPW1300:

Measured sound power level: L_{WA} : 89.0 dB(A); K=2.8 dB(A)

The guaranteed sound power level L_{WA} : 92 dB(A)

BEPW1300L:

Measured sound power level: L_{WA} : 89.0 dB(A); K=2.8 dB(A)

The guaranteed sound power level L_{WA} : 92 dB(A)

BEPW1650:

Measured sound power level: L_{WA} : 88 dB(A); K= 2.2 dB(A)

The guaranteed sound power level L_{WA} : 91 dB(A)

BEPW1700:

Measured sound power level: L_{WA} : 88 dB(A); K= 2.2 dB(A)

The guaranteed sound power level L_{WA} : 91 dB(A)

BEPW2000:

Measured sound power level: L_{WA} : 91.0 dB(A); K=1.4 dB(A)

The guaranteed sound power level L_{WA} : 93 dB(A)

These products conform to the following UK Regulations:

Electromagnetic Compatibility Regulations, 2016,
S.I.2016/1091 (as amended).

The Restriction of the Use of Certain Hazardous Substances
in Electrical and Electronic Equipment Regulations 2012, S.I.
2012/3032 (as amended).

For more information, please contact Black & Decker at the
following address or refer to the back of the manual.

The undersigned is responsible for compilation of the technical
file and makes this declaration on behalf of

Guarantee

Black & Decker is confident of the quality of its products and offers consumers a 24 month guarantee from the date of purchase. This guarantee is in addition to and in no way prejudices your statutory rights. The guarantee is valid within the territories of the United Kingdom, the Member States of the European Union and the European Free Trade Area.

To claim on the guarantee, the claim must be in accordance with Black&Decker Terms and Conditions and you will need to submit proof of purchase to the seller or an authorised repair agent. Terms and conditions of the Black&Decker 2 year guarantee and the location of your nearest authorised repair agent can be obtained on the Internet at www.2helpU.com, or by contacting your local Black & Decker office at the address indicated in this manual.

Please visit our website www.blackanddecker.co.uk to register your new Black & Decker product and receive updates on new products and special offers.

Verwendungszweck

Ihr BLACK+DECKER-Hochdruckreiniger wurde zur Reinigung von Booten, Autos, Decks, Einfahrten, Grills, Hausverkleidungen, Motorrädern, Terrassen und Außenmöbeln entwickelt.

Lassen Sie nicht zu, dass Kinder in Kontakt mit dem Werkzeug kommen. Wenn unerfahrene Personen dieses Gerät verwenden, sind diese zu beaufsichtigen.

Dieses Gerät ist nicht für den gewerblichen Einsatz vorgesehen.

Sicherheitshinweise

WICHTIGE SICHERHEITSHINWEISE



WARNUNG: Bei Verwendung dieses Hochdruckreinigers sollten immer die grundlegenden Sicherheitsmaßnahmen befolgt werden, einschließlich der folgenden:

- Bei einer Beschädigung des Netzkabels muss dieses durch den Hersteller oder eine BLACK+DECKER Vertragswerkstatt ausgetauscht werden, um mögliche Gefahren zu vermeiden.
- Das Gerät darf nicht von Personen (einschließlich Kindern) mit eingeschränkten physischen, sensorischen oder mentalen Fähigkeiten oder ohne ausreichende Erfahrung oder Kenntnisse verwendet werden.
- Lassen Sie nicht zu, dass Kinder mit dem Gerät spielen.
- Lesen Sie alle Anweisungen, bevor Sie das Produkt verwenden.
- Um das Risiko von Verletzungen zu verringern, ist eine genaue Überwachung notwendig, wenn das Produkt in der Nähe von Kindern verwendet wird.
- Sie sollten wissen, wie Sie das Produkt anhalten und den Druck schnell ablassen können. Machen Sie sich gründlich mit den Bedienelementen vertraut.
- Verwenden Sie das Gerät mit Umsicht.
- Bedienen Sie das Gerät nicht, wenn Sie müde sind oder unter dem Einfluss von Alkohol, Medikamenten oder Drogen stehen.
- Halten Sie den Arbeitsbereich von Menschen und Tieren frei.
- Nehmen Sie keine anormale Körperhaltung ein und stellen Sie sich nicht auf eine instabile Fläche. Sorgen Sie für einen festen Stand und halten Sie jederzeit das Gleichgewicht.
- Befolgen Sie die im Handbuch angegebenen Wartungsanweisungen.
- Der Anschluss an die Stromversorgung muss durch einen qualifizierten Elektriker erfolgen und der IEC 60364-1 entsprechen.

Es wird empfohlen, die Stromversorgung dieses Geräts entweder mit einem Fehlerstromschutzschalter zu versehen, der die Stromversorgung unterbricht, wenn der Ableitstrom zur Erde 30 ms lang 30 mA überschreitet, oder mit einer Vorrichtung, die den Erdungskreislauf prüft.

- Bei Inbetriebnahme sichere Bedienung, Handhabung, Transport und Lagerung der Maschine unter Berücksichtigung ihres Gewichts.



WARNUNG: Injektions- oder Verletzungsgefahr – Strahl nicht auf Menschen oder Tiere richten.















WARNUNG: Lesen Sie dieses Handbuch vollständig durch, bevor Sie das Produkt zusammenbauen, bedienen oder installieren.



WARNUNG: Dieses Gerät wurde für spezielle Anwendungen entwickelt. Es darf nicht verändert und/oder für andere als die vorgesehenen Anwendungen eingesetzt werden.

HINWEIS: Lagern Sie den Hochdruckreiniger immer an einem Ort, an dem die Temperatur nicht unter 4 °C fällt. Gefrierschäden sind nicht durch die Garantie abgedeckt.

1. Berühren Sie den Netzstecker und die Steckdose nicht mit nassen Händen.
2. **Vermeiden Sie eine unbeabsichtigte Inbetriebnahme.** Stellen Sie den Geräteschalter auf OFF (Aus), bevor Sie das Kabel in die Steckdose stecken oder aus ihr herausziehen.
3. Der Wasserstrahl darf niemals auf elektrische Leitungen oder direkt auf den Hochdruckreiniger selbst gerichtet werden, da dies zu einem tödlichen Stromschlag führen kann.
4. **Tragen Sie den Hochdruckreiniger niemals am Kabel.** Ziehen Sie den Stecker nicht mit dem Kabel aus der Steckdose.
5. Zur Vermeidung von Schäden sollte das Kabel nicht gequetscht, neben scharfkantige Gegenstände gelegt oder in die Nähe einer Wärmequelle gebracht werden.
6. **Prüfen Sie die Netzkabel vor der Benutzung.** Beschädigte Kabel können die Leistung des Hochdruckreinigers verringern oder einen tödlichen Stromschlag verursachen.
7. **Der schmale, punktförmige Strahl ist sehr stark.** Er wird nicht für die Verwendung auf lackierten Oberflächen, Holzoberflächen oder auf Gegenständen, die mit einer Klebefläche befestigt sind, empfohlen.
8. Halten Sie den Arbeitsbereich von Menschen und Tieren frei.
9. Benutzen Sie immer beide Hände, wenn Sie den Hochdruckreiniger bedienen, um die vollständige Kontrolle über die Sprühlanze zu behalten.
10. **Berühren Sie während des Betriebs weder die Düse noch den Wasserstrahl.**

- Halten Sie niemals die Hände vor die Düse.
11. **Tragen Sie bei der Arbeit eine Schutzbrille.** Tragen Sie Schutzkleidung und -schuhe, um sich vor dem Sprühstrahl zu schützen.
 12. Ziehen Sie den Netzstecker aus der Steckdose, wenn Sie das Gerät nicht benutzen und bevor Sie den Hochdruckschlauch abnehmen.
 13. **Der Hochdruckschlauch darf niemals verknottet oder geknickt werden, da dies zu Beschädigungen führen kann. Inspizieren Sie den Hochdruckschlauch regelmäßig. Tauschen Sie den Schlauch sofort aus, wenn er beschädigt oder abgenutzt ist oder Anzeichen von Rissen, Blasen, Nadellöchern oder anderen Undichtigkeiten aufweist.**
Fassen Sie niemals einen Hochdruckschlauch an, der undicht oder beschädigt ist.
 14. **Betreiben oder lagern Sie dieses Produkt nicht bei Temperaturen unter 4 °C.** Frostschäden sind nicht durch die Garantie abgedeckt.
 15. **Beachten Sie vor der Verwendung sorgfältig alle Anweisungen und Warnhinweise zu Chemikalien. Verwenden Sie nur für Hochdruckreiniger zugelassene Reinigungsmittel. Verwenden Sie weder Bleiche, noch Chlor oder säurehaltige Reinigungsmittel. Befolgen Sie immer die Herstellerempfehlungen zur ordnungsgemäßen Verwendung von Reinigungsmitteln.** Augen, Haut und Atmungsorgane sind immer vor Reinigungsmitteln zu schützen.
 16. **Der Hochdruckreiniger sollte nicht in Bereichen eingesetzt werden, in denen Gasdämpfe vorhanden sein können.** Ein elektrischer Funke könnte sonst eine Explosion oder einen Brand verursachen.
 17. Um das Eindringen von Wasser in den Hochdruckreiniger zu minimieren, sollte das Gerät während des Betriebs so weit wie möglich von der Reinigungsstelle entfernt aufgestellt werden.
 18. Um versehentliches Aktivieren des Sprühstrahls zu verhindern, sollte die Sprühpistole bei Nichtgebrauch gesichert werden, indem der Auslöser gesperrt wird.
 19. Zur Ermöglichung einer freien Luftzirkulation darf der Hochdruckreiniger während des Betriebs NICHT abgedeckt werden.
 20. **Berühren Sie an einem aktiven Hochdruckschlauch niemals ein Nadelloch oder ein ähnliches Wasserleck an und versuchen Sie nicht, es abzudecken.** Der Wasserstrahl steht unter hohem Druck und WIRD die Haut durchdringen.
 21. **Verwenden Sie nur Schläuche und Zubehörteile, die für einen höheren Druck als die PSI/Bar-Werte Ihres Hochdruckreinigers ausgelegt sind.** Niemals mit Zubehör oder Komponenten anderer Hersteller verwenden.
 22. Niemals die Sicherheitsfunktionen dieses Produkts außer Kraft setzen.
 23. Betreiben Sie das Gerät nicht mit fehlenden, defekten oder nicht zugelassenen Teilen.
 24. Versprühen Sie niemals brennbare Flüssigkeiten und verwenden Sie den Hochdruckreiniger niemals in Bereichen, in denen sich brennbare Stäube, Flüssigkeiten oder Dämpfe befinden.
-  **WARNUNG:** Dieses Gerät ist für die Verwendung des mitgelieferten oder vom Hersteller empfohlenen Reinigungsmittels ausgelegt. Die Verwendung anderer Reinigungsmittel oder Chemikalien kann die Sicherheit des Geräts beeinträchtigen.
-  **WARNUNG:** Bei der Verwendung von Hochdruckreinigern können sich Aerosole bilden. Das Einatmen von Aerosolen kann gesundheitsgefährdend sein.
-  **WARNUNG:** Hochdruckwasserstrahlen können bei falscher Verwendung gefährlich sein. Der Strahl darf nicht auf Menschen, stromführende elektrische Geräte oder die Maschine selbst gerichtet werden.
-  **WARNUNG:** Verwenden Sie das Gerät nicht in der Nähe von Menschen, es sei denn, diese tragen Schutzkleidung.
-  **WARNUNG:** Richten Sie den Strahl nicht auf sich selbst oder andere, um Kleidung oder Schuhe zu reinigen.
-  **WARNUNG:** Explosionsgefahr – Keine brennbaren Flüssigkeiten versprühen.
-  **WARNUNG:** Hochdruckreiniger dürfen nicht von Kindern oder ungeschulten Personen verwendet werden.
-  **WARNUNG:** Für die Sicherheit der Maschine ist es wichtig, hochdruckfähige Schläuche, Armaturen und Kupplungen zu verwenden. Verwenden Sie nur Schläuche, Armaturen und Kupplungen, die vom Hersteller empfohlen werden.
-  **WARNUNG:** Um die Sicherheit des Geräts zu gewährleisten, verwenden Sie nur Originalersatzteile des Herstellers oder vom Hersteller zugelassene Teile.
-  **WARNUNG:** Wasser, das durch einen Rückflussverhinderer geflossen ist, gilt als nicht trinkbar.
-  **WARNUNG:** Das Gerät muss während der Reinigung oder Wartung und beim Austausch von Teilen von der Stromquelle getrennt werden.
-  **WARNUNG:** Benutzen Sie das Gerät nicht, wenn ein Versorgungskabel oder wichtige Teile des Geräts beschädigt sind, z. B. Sicherheitseinrichtungen, Hochdruckschläuche, Pistole mit Auslöser.



WARNUNG: Ungeeignete Verlängerungskabel können gefährlich sein. Wenn ein Verlängerungskabel verwendet wird, muss es für die Verwendung im Freien geeignet sein, und der Anschluss muss trocken und vom Boden fern gehalten werden. Es wird empfohlen, dies mit Hilfe eines Kabelaufrollers zu erreichen, der die Steckdose mindestens 60 mm über dem Boden hält.



WARNUNG: Schalten Sie immer den Netzschalter aus, wenn Sie das Gerät unbeaufsichtigt lassen.



WARNUNG: Je nach Anwendung können bei der Hochdruckreinigung abgeschirmte Düsen verwendet werden, wodurch die Emission von wasserhaltigen Aerosolen drastisch reduziert wird. Allerdings erlauben nicht alle Anwendungen die Verwendung einer solchen Vorrichtung. Wenn abgeschirmte Düsen zum Schutz vor Aerosolen nicht verwendet werden können, kann je nach Reinigungsumgebung eine Atemschutzmaske der Klasse FFP 2 oder eine gleichwertige Maske erforderlich sein.

Sicherheit anderer Personen

- Dieses Gerät darf nicht von Personen (einschließlich Kindern) mit eingeschränkten körperlichen, sensorischen oder geistigen Fähigkeiten oder mangelnder Erfahrung und Wissen in Bezug auf dessen Gebrauch bedient werden, es sei denn, sie werden bei der Verwendung des Geräts von einer erfahrenen Person beaufsichtigt oder angeleitet.
- Lassen Sie nicht zu, dass Kinder mit dem Gerät spielen.

Vibration

Die in den Abschnitten „Technische Daten“ und „EU-Konformitätserklärung“ angegebenen Werte für die Vibrationsemission wurden mit einer Standard-Prüfmethode nach EN60335-2-79 ermittelt und können zum Vergleich verschiedener Geräte herangezogen werden. Außerdem kann mit Hilfe dieses Werts die Belastung bei Verwendung des Geräts schon im Voraus eingeschätzt werden.



WARNUNG: Die bei Verwendung des Hochdruckreinigers auftretende Vibrationsemission hängt von der Art des Gerätegebrauchs ab und kann dementsprechend von dem angegebenen Wert abweichen. Gegebenenfalls kann die Vibration über dem angegebenen Wert liegen.

Für die Ermittlung der Vibrationsbelastung müssen die tatsächlichen Einsatzbedingungen und Verwendungen des Geräts während des gesamten Arbeitsgangs berücksichtigt werden, einschließlich der Zeiten, wenn das Gerät nicht verwendet oder im Leerlauf betrieben wird.

Diese Werte werden benötigt, um die gemäß 2002/44/EG erforderlichen Sicherheitsmaßnahmen zum Schutz von Personen festlegen zu können.

Etiketten am Werkzeug

Am Gerät sind die folgenden Warnsymbole inkl. Datumscode angebracht:



Warnung! Lesen Sie vor Gebrauch die Anleitung. Andernfalls besteht Verletzungsgefahr.



Tragen Sie Augenschutz.



Tragen Sie Gehörschutz.



Das Gerät ist nicht für den Anschluss an das Trinkwassernetz geeignet.



Garantierte Schalleistung laut Richtlinie 2000/14/EG. BEPW1300



Garantierte Schalleistung laut Richtlinie 2000/14/EG. BEPW1300L



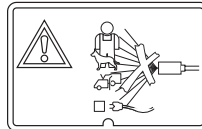
Garantierte Schalleistung laut Richtlinie 2000/14/EG. BEPW1650



Garantierte Schalleistung laut Richtlinie 2000/14/EG. BEPW1700



Garantierte Schalleistung laut Richtlinie 2000/14/EG. BEPW2000



Richten Sie den Wasserstrahl niemals auf Menschen, Tiere, die Maschine oder elektrische Komponenten.

Elektrische Sicherheit



Dieses Gerät ist schutzisoliert, daher ist keine Erdleitung erforderlich. Überprüfen Sie immer, dass die Stromversorgung der Spannung auf dem Typenschild entspricht.

Spannungsabfälle (nur für BEPW2000)

Der Einschaltstrom kann einen kurzfristigen Spannungsabfall verursachen. Dies kann ggf. die Stromversorgung anderer Geräte beeinflussen. Bei einer Systemimpedanz der Stromversorgung von unter $0,378 \Omega$ sind Störungen unwahrscheinlich.

Merkmale

1. Hochdruckschlauch
2. Sprühlanze
3. Düsentaste
4. Sprühstiel
5. Sprühstielgriff
6. Auslösersperre
7. Auslöser
8. Sprühstrahl-zu-Punktstrahl-Düse
9. Schlauchanschluss
10. Filter
11. Seifenflasche
12. Seifenflaschenapplikator
13. Schlauchanschlussstaste
14. Werkzeug zur Düsenreinigung
15. Turbodüse (BEPW2000)
16. Hochdruckreiniger
17. ON/OFF-Regler
18. Griff
19. Einziehbarer Griff (BEPW1700, BEPW2000)
20. Hochdruckwasserauslass
21. Kabelhaltehaken
22. Netzkabel

Montage und Einstellungen



WARNUNG: Vergewissern Sie sich vor Ausführung der folgenden Schritte, dass das Gerät ausgeschaltet und vom Stromnetz getrennt ist.

Anbringen des Sprühstiels (Abb. A)

1. Um den Sprühstiel (4) mit der Sprühlanze (2) zu verbinden, stecken Sie das Ende des Sprühstiels auf das Ende der Sprühlanze.
2. Drücken Sie den Sprühstiel hinein und drehen Sie ihn zum Arretieren gegen den Uhrzeigersinn.

Anbringen des Hochdruckschlauchs (Abb. B)

HINWEIS: Ziehen Sie zum Bewegen des Hochdruckreinigers niemals am Hochdruckschlauch oder am Wasserversorgungsschlauch. Dies könnte den Schlauch und/oder den Einlass und/oder den Auslass der Pumpe beschädigen.

1. Zum Anschließen des Hochdruckschlauchs (1) am Sprühstiel (4) drücken Sie die Schlauchanschlussstaste (13) herein und lassen gleichzeitig das Schlauchende (23) im Sprühstiel einrasten. Lassen Sie die Schlauchanschlussstaste los, sobald das Schlauchende hörbar eingerastet ist.
2. Zum Anschließen des Hochdruckschlauchs an den Hochdruckreiniger (16) schrauben Sie die Schlauchanschlussmanschette (24) auf den Hochdruckwasserauslass (20).
HINWEIS: Wickeln Sie den Hochdruckschlauch vor der Installation ab, um Knicke zu vermeiden.
HINWEIS: Vermeiden Sie bei der Installation des Schlauchs Kreuzverschraubungen. Kreuzverschraubungen führen zu Undichtigkeiten.

Anbringen eines Gartenschlauchs (Abb. C-J2)

HINWEIS: Bevor Sie den Gartenschlauch an den Hochdruckreiniger anschließen, lassen Sie dreißig Sekunden lang Wasser durch den Gartenschlauch laufen, um eventuelle Rückstände aus seinem Inneren zu entfernen.

1. Zum Anschließen des Gartenschlauchs an den Hochdruckreiniger (16) schrauben Sie den Filter (10) auf den Wassereinlass (25).
2. Schließen Sie den Gartenschlauch an den Schlauchanschluss (9) an, indem Sie die Schraube am Gartenschlauchanschluss lösen und den Schlauch auf den Anschluss stecken. Schließen Sie den Gartenschlauch an den Schlauchanschluss (9) an, indem Sie den Gartenschlauch auf den Gartenanschluss schrauben.
3. Befestigen Sie den am Gartenschlauchanschluss montierten Gartenschlauch (28) am Filter (10), bis ein Klicken zu hören ist.
HINWEIS: Trennen Sie den Gartenschlauch nach jedem Gebrauch ab.

Anbringen von Düsen (Abb. D)



GEFAHR: Risiko von Flüssigkeitseinspritzung. Leiten Sie den Wasserstrom nicht auf Personen, ungeschützte Haut, Augen, Haustiere oder andere Tiere. Dies führt zu schweren Verletzungen.



WARNUNG: Umherfliegende Teilchen können schwere Verletzungen verursachen. Versuchen Sie NICHT, die Düsen bei laufendem Hochdruckreiniger zu wechseln. Schalten Sie den Hochdruckreiniger vor dem Düsenwechsel AUS.

1. Um eine Düse an die Sprühlanze (2) anzuschließen, drücken Sie die Düsentaste (3) am Sprührohr und setzen die entsprechende Düse ein.
2. Lassen Sie die Taste los, um die Düse zu arretieren.
3. Ziehen Sie kräftig an der Düse, um sicherzustellen, dass sie richtig eingerastet ist.

Sprühstrahl-zu-Punktstrahl-Düse

Einstellen des Sprühmusters (Abb. D1, D2)

Der Winkel des aus der Sprühlanze austretenden Strahls kann durch Drehen der Düse eingestellt werden. Dadurch wird das Sprühmuster von einem punktförmigen, kräftigen Aufprallstrahl von etwa 0° bis zu einem 60° breiten Fächersprühstrahl verändert.

Ein breites Sprühmuster verteilt die Kraft des Wassers auf eine größere Fläche, was zu einer hervorragenden Reinigungswirkung mit einem geringeren Risiko von Oberflächenschäden führt. Große Flächen können mit einem breiten Fächermuster schneller gereinigt werden.

Ein schmaler Punktstrahl richtet die Kraft des Wassers auf einen konzentrierten Bereich, was zu einer hohen Aufprallkraft auf der zu reinigenden Oberfläche führt. Verwenden Sie den Punktstrahl für die Tiefenreinigung in einem konzentrierten Bereich. Verwenden Sie ihn jedoch mit Vorsicht, da er manche Oberflächen beschädigen könnte.

Anbringen der Seifenflasche (Abb. I4)

Um die Seifenflasche (11 mit dem Sprühstiel (4 zu verbinden, stecken Sie das Ende der Seifenflasche in den Sprühgriff und drehen die Seifenflasche zum Arretieren gegen den Uhrzeigersinn.

HINWEIS: Stiel und Seifenflasche können nicht gleichzeitig angebracht werden.

HINWEIS: Die Seifenflasche muss unter dem Schaft des Sprühstiels angebracht werden. Die Seifenflasche darf sich nicht über dem Lauf der Kunststoffsprühpistole befinden, da sonst Seife auf den Lauf tropft.

Sprühstrahl-zu-Punktstrahl-Düse	Zur schonenden, großflächigen Reinigung.
Turbodüse	Zur gründlichen Reinigung. (nur beim Modell BEPW2000 enthalten)

Betrieb



WARNUNG: Zur Reduzierung des Risikos schwerer Verletzungen muss das Gerät ausgeschaltet und das Gerät von der Stromquelle getrennt werden, bevor Einstellungen vorgenommen werden oder Zubehör abgenommen/ installiert wird. Ungewolltes Anlaufen kann Verletzungen verursachen.

Richtige Haltung der Hände (Abb. E)



WARNUNG: Zur Reduzierung des Risikos schwerer Verletzungen muss **IMMER** die richtige Handstellung eingehalten werden, wie in der Abbildung gezeigt.



WARNUNG: Zur Reduzierung des Risikos schwerer Verletzungen muss das Gerät **IMMER** fest in den Händen gehalten werden, damit jederzeit richtig reagiert werden kann.

Bei der korrekten Haltung der Hände liegt eine Hand auf dem Sprühstielgriff (5 und die andere auf der Sprühpistole (4).

Hochdruckreinigung

Oberfläche für die Reinigung vorbereiten

- Entfernen Sie Gegenstände aus dem Bereich, die eine Gefahr darstellen könnten, z. B. Kinderspielzeug oder Gartenmöbel.
- Stellen Sie sicher, dass bei Fahrzeugen, Terrassen etc. alle Türen und Fenster fest geschlossen sind.
- Schützen Sie alle Pflanzen und Bäume im angrenzenden Gebiet mit einem Tuch, damit sie nicht durch Sprühnebel beschädigt werden.
- Spülen Sie den zu reinigenden Bereich mit Frischwasser vor.
- Verwenden Sie nur Reinigungsmittel, die für Hochdruckreiniger vorgesehen sind.
- Testen Sie das Reinigungsmittel vor der Anwendung immer an einer unauffälligen Stelle.

Vorbereiten des Hochdruckreinigers auf den Gebrauch (Abb. J1, J2, J3, J4)



GEFAHR: Risiko von Flüssigkeitseinspritzung und Verletzungen. Bei Verwendung der Hochdruckeinstellung darf der Hochdrucksprühstrahl **NICHT** auf ungeschützte Haut, Augen, Haustiere oder andere Tiere gerichtet werden. Dies führt zu schweren Verletzungen.



ACHTUNG: Vor der Verwendung:

1. Schließen Sie den Gartenschlauch an eine Wasserversorgung an. Das Wasser kann aus einem Wasserhahn oder einer anderen Wasserquelle entnommen werden. Siehe **Selbstansaugung** unter Vorbereiten des Hochdruckreinigers auf den Gebrauch.
2. Schließen Sie den Hochdruckschlauch an den Hochdruckreiniger und den Sprühstiel an. Anweisungen zum Anschluss des Hochdruckschlauchs an den Hochdruckreiniger und den Sprühgriff finden Sie unter **Anbringen eines Hochdruckschlauchs** unter Montage und Einstellungen.
3. Schließen Sie den Gartenschlauch an den Hochdruckreiniger an. Anweisungen zum Anschließen der Wasserversorgung an den Hochdruckreiniger finden Sie im Abschnitt **Anbringen eines Gartenschlauchs** unter Montage und Einstellungen.
4. Stecken Sie den Netzstecker in eine geeignete Steckdose ein.

Vorbereiten des Sprühstiels

WICHTIG: Lösen Sie vor dem Starten des Hochdruckreinigers die Auslösersperre (6 und drücken Sie den Auslöser (7 .

1. Geben Sie die Auslösersperre (6) frei.
2. Drücken Sie den Auslöser (7) herein. Halten Sie den Auslöser 30 Sekunden lang gedrückt, um das System zu entlüften.
3. Wenn sich im Wasserstrom noch Luft befindet, lassen Sie weiter Wasser durch den Sprühstiel laufen.

Wasseranschluss



WARNUNG: Nach den geltenden Vorschriften darf das Gerät keinesfalls ohne Systemtrenner im Trinkwassernetz eingesetzt werden. Verwenden Sie einen Systemtrenner gemäß IEC 61770, Typ BA. Wasser, das durch einen Systemtrenner fließt, gilt als nicht trinkbar.



- Halten Sie die Vorschriften Ihres Wasserversorgungsunternehmens ein.
- Alle Anschlussschläuche müssen ordnungsgemäß abgedichtete Verbindungen aufweisen.
- Stellen Sie sicher, dass der Versorgungsschlauch einen Durchmesser von mindestens 12,7 mm hat und verstärkt ist.
- Das Gerät darf niemals ohne Rückflussventil an der Trinkwasserversorgung betrieben werden. Wasser, das ein Rückflussventil passiert hat, gilt als ungenießbar.

Reinigung von Flächen

1. Zum Starten des Hochdruckreinigers drehen Sie den ON/OFF-Regler (17) auf die Position ON (Ein).
2. Vergewissern Sie sich, dass der Wasserhahn geöffnet ist, oder verwenden Sie eine andere Wasserquelle, damit der Hochdruckreiniger mit Wasser versorgt wird.
3. Der beste Winkel für das Sprühen von Wasser gegen eine zu reinigende Fläche beträgt 45°.
 - Bei einem gerade aufgesetzten Sprühkopf können sich Schmutzpartikel in der Oberfläche festsetzen.
 - Bei Arbeiten an senkrechten Flächen ist es daher am besten, das Reinigungsmittel von unten nach oben aufzutragen, damit es nicht nach unten läuft und dabei Streifen verursacht.
4. Zum Lösen des Sprühstiels lassen Sie den Auslöser los.

HINWEIS: Bei einer verstopften Düse kann ein zu hoher Pumpendruck entstehen. Schalten Sie den Hochdruckreiniger immer aus und ziehen Sie den Netzstecker, bevor Sie versuchen, Verstopfungen von einer Düse zu entfernen.

Reinigungsmittel (Abb. I1, I2, I3, I4)

Informationen zum Anbringen einer Reinigungsmittel-/Seifenflasche erhalten Sie unter **Anbringen der Seifenflasche** unter Montage und Einstellungen.

Die Verwendung von Reinigungsmitteln kann die Reinigungszeit drastisch verkürzen und bei der Entfernung schwieriger Flecken helfen. Einige Reinigungsmittel wurden speziell für den Einsatz von Hochdruckreinigern für bestimmte Reinigungsaufgaben entwickelt.

Die Reinigungskraft von Reinigungsmitteln beruht darauf, dass sie auf eine Oberfläche aufgetragen werden und die Chemikalien Zeit bekommen, Verschmutzungen zu zersetzen. Reinigungsmittel wirken am besten, wenn sie mit niedrigem Druck angewendet werden.

Die Kombination aus chemischer Wirkung und Abspülen mit Hochdruck ist sehr effektiv.

Bei senkrechten Flächen tragen Sie das Reinigungsmittel von unten nach oben auf. Dadurch wird verhindert, dass das Reinigungsmittel herunterfließt und Schlieren verursacht. Das Abspülen mit Hochdruck sollte ebenfalls von unten nach oben erfolgen. Bei besonders hartnäckigen Flecken kann es erforderlich sein, zusammen mit dem Reinigungsmittel und dem Abspülen mit Hochdruck auch eine Bürste zu verwenden.

Bewegen des Hochdruckreinigers

1. Schalten Sie den Hochdruckreiniger (16) aus, indem Sie den ON/OFF-Regler (17) in die Position OFF (Aus) drehen, und schalten Sie dann die Wasserversorgung ab.
2. Halten Sie die Sprühlanze (2) in eine sichere Richtung und betätigen Sie den Auslöser (7), um den restlichen Wasserdruck abzulassen.
3. Wenn die Sprühlanze vollständig entleert ist, heben Sie den Hochdruckreiniger an seinem Griff (18) an.

Abschalten

1. Schalten Sie den Hochdruckreiniger (16) ab, indem Sie den ON/OFF-Regler (17) in die Position OFF (Aus) drehen und den Netzstecker aus der Steckdose ziehen.
2. Stellen Sie das Wasser am Wasserhahn ab oder trennen Sie es von einer eventuellen anderen Wasserquelle.
3. Lassen Sie den Restdruck durch Drücken des Auslösers (7) ab, bis kein Wasser mehr aus der Sprühlanze (2) austritt.
4. Aktivieren Sie die Sprühstrahlauslösersperre (6).
5. Trennen Sie den Gartenschlauch (28) vom Wassereinlass (25) ab.
6. Trennen Sie den Hochdruckschlauch (1) vom Hochdruckwasserauslass (20) und entleeren Sie den Schlauch.

Selbstansaugend

1. Schließen Sie den Zulaufschlauch an den Hochdruckreiniger an. Siehe **Anbringen eines Gartenschlauchs** unter Montage und Einstellungen.
2. Stecken Sie das freie Ende des Schlauchs mit angeschlossenem Filter in die alternative Wasserquelle (Eimer o.Ä.)

3. Schließen Sie den Hochdruckschlauch an den Sprühstiel an. Siehe **Anbringen eines Hochdruckschlauchs** unter Montage und Einstellungen.
4. Schließen Sie den Hochdruckreiniger an eine Stromquelle an.
5. Betätigen Sie den Hochdruckreiniger durch Drehen des ON/OFF-Reglers auf die Position ON (Ein).
6. Schalten Sie den Hochdruckreiniger aus, sobald Wasser aus dem Auslassrohr des Geräts spritzt.
7. Trennen Sie den Hochdruckreiniger von der Stromquelle.
8. Montieren Sie den Hochdruckschlauch an das Auslassrohr der Pumpe.
9. Schließen Sie den Hochdruckreiniger an eine Stromquelle an.
10. Betätigen Sie den Hochdruckreiniger durch Drehen des ON/OFF-Reglers auf die Position ON (Ein).
11. Betätigen Sie den Auslöser des Sprühstiels, um mit der Reinigungsarbeit zu beginnen.

6. Lassen Sie Wasser aus einem Wasserhahn oder Gartenschlauch durch die Düse laufen.

Reinigung des Filters (Abb. K)

Überprüfen Sie den Filter (10) vor jedem Gebrauch und reinigen Sie ihn bei Bedarf. Nehmen Sie den Filtereinsatz heraus und halten Sie ihn unter fließendes klares Wasser, um eventuelle Verunreinigungen zu entfernen.

Aufbewahrung

- Abgedeckt an einem trockenen Ort oberhalb der Gefrieretemperatur lagern. NICHT IM FREIEN LAGERN.
- Entleeren Sie Hochdruckschlauch, Hochdruckreiniger, Düsen und Sprühlanze immer vollständig von Wasser.
- Die Düsen können wie in Abb. H gezeigt im Gerät aufbewahrt werden. **HINWEIS:** Die Turbodüse (BEPW2000) oder die Sprühstrahl-zu-Punktstrahl-Düse kann an der Sprühlanze aufbewahrt werden.
- Das Netzkabel kann zur Aufbewahrung aufgerollt und mit dem Kabelhaltehaken (21) gesichert werden, wie in Abb. I gezeigt.
- Der Hochdruckschlauch (1) kann zur Aufbewahrung aufgerollt und mit Hilfe des Klettbandes (18) am Sprühstiel (27) gesichert werden, wie in Abb. I gezeigt.
- Der Sprühstiel (4) kann mit Hilfe der Halterung (26) an der Geräterückseite aufbewahrt werden, wie in Abb. I gezeigt.
- Die Sprühlanze (2) kann mit Hilfe der Halterung (26) an der Geräterückseite aufbewahrt werden, wie in Abb. I gezeigt.

Wartung

Ihr BLACK+DECKER Gerät wurde im Hinblick auf eine lange Lebensdauer und einen möglichst geringen Wartungsaufwand entwickelt. Ein kontinuierlicher, zufriedenstellender Betrieb hängt von der richtigen Pflege des Gerätes und seiner regelmäßigen Reinigung ab.



Warnung! Vor Wartungs- oder Reinigungsarbeiten am Gerät.

- ♦ Reinigen Sie regelmäßig die Lüftungsschlitze des Gerätes mit Hilfe einer weichen Bürste oder eines trockenen Tuchs.
- ♦ Reinigen Sie das Motorgehäuse regelmäßig mit einem feuchten Tuch. Verwenden Sie keine scheuernden Reinigungsmittel oder Reinigungsmittel auf Lösungsmittelbasis.

Reinigung

Reinigung der Düse (Abb. A, G)

Wenn die Düse durch Fremdkörper, wie z.B. Schmutz, verstopft wird, kann übermäßiger Druck entstehen. Wenn die Düse teilweise verstopft oder verengt ist, pulsiert der Pumpendruck.

Reinigen Sie die Düse sofort mit Hilfe des Düsenreinigers.

1. Schalten Sie den Hochdruckreiniger (16) aus und ziehen Sie den Netzstecker.
2. Stellen Sie die Wasserversorgung ab.
3. Ziehen Sie den Auslöser (7) am Sprühstiel (4), um den Wasserdruck abzulassen.
4. Entfernen Sie die Düse von der Sprühlanze (2), indem Sie die Taste (3) hereindrücken.
5. Benutzen Sie das Werkzeug zur Düsenreinigung (14), um Verunreinigungen aus der Düse zu entfernen.

Austauschen des Netzsteckers (nur Großbritannien und Irland)

Wenn ein neuer Netzstecker angebracht werden muss:

- ♦ Sorgen Sie für eine sichere Entsorgung des alten Steckers.
- ♦ Verbinden Sie den braunen Draht mit dem spannungsführenden Anschluss im neuen Stecker.
- ♦ Verbinden Sie den blauen Draht mit dem neutralen Anschluss.



Warnung! Stellen Sie keine Verbindung mit dem Erdungsanschluss her.

Befolgen Sie die Montageanweisungen, die mit hochwertigen Steckern mitgeliefert werden.
Empfohlene Sicherung: 13 A.

Umweltschutz



Getrennte Entsorgung. Produkte und Akkus mit diesem Symbol dürfen nicht mit dem normalen Hausmüll entsorgt werden.

Produkte und Akkus enthalten Materialien, die wiederverwertet werden können, um den Bedarf an Rohstoffen zu verringern.

Bitte recyceln Sie elektrische Produkte und Akkus gemäß den örtlichen Bestimmungen. Weitere Informationen finden Sie auf www.2helpU.com

Technische Daten

	BEPW1300	BEPW1300L	BEPW1650	BEPW1700	BEPW2000
Typ	1	1	1	1	1
Leistung	1300 W _{max} (2000)	1300 W _{max} (2000)	1650 W _{max} (2000)	1700 W _{max} (2000)	2000 W _{max} (2000)
Nenndurchfluss	5,2 l/min	5,2 l/min	5,5 l/min	5,5 l/min	5,8 l/min
Maximaler Durchfluss	6,6 l/min	6,6 l/min	6,8 l/min	6,8 l/min	7,5 l/min
Nenndruck (bar/PSI/MPa)	74 / 1073 / 7,4	74 / 1073 / 7,4	80 / 1160 / 8	83,5 / 1211 / 8,35	105 / 1523 / 10,5
Maximaldruck (bar/PSI/MPa)	110 / 1600 / 11	110 / 1600 / 11	120 / 1740 / 12	125 / 1810 / 12,5	150 / 2175 / 15
Wassertemp.	50° C	50 ° C	50 ° C	50° C	50° C
Zulaufwasser	Kaltes sauberes Wasser	Kaltes sauberes Wasser	Kaltes sauberes Wasser	Kaltes sauberes Wasser	Kaltes sauberes Wasser
Garantierter Schalleistungspegel L _{WA} dB(A)	92	92	91	91	93
Maximaler Eingangsdruck MPa	1,0	1,0	1,0	1,0	1,0
Motorschutz	IPX5	IPX5	IPX5	IPX5	IPX5
Motor Typ	Gebürstet	Gebürstet	Gebürstet	Gebürstet	Gebürstet
Pumpe	Aluminium	Aluminium	Aluminium	Aluminium	Aluminium
Selbstansaugend	Ja	Ja	Ja	Ja	Ja
Schlauchlänge	3M	3M*	3M*	6M	6M
Integrierter Filter	Ja	Ja	Ja	Ja	Ja
Gewicht	4,9 kg	5,3 kg	5,3 kg	6,3 kg	8,2 kg
Rückstoßkraft der Pistole bei Maximaldruck	21N	21N	21N	21N	21N

*PA/KI/KIT = 6M

N&V-Testdaten:

BEPW1300:

Emissions-Schalldruckpegel L_{PA}: 77,0 dB(A);

K= 3,0 dB(A)

Gemessener Schalleistungspegel: L_{WA}: 89,0 dB(A); K=2,8 dB(A)

Vibrationsemissionswert ah: weniger als 2,5 m/s²; K=0,6 m/s²

BEPW1300L:

Emissions-Schalldruckpegel L_{PA}: 77,0 dB(A); K=3,0 dB(A)

Gemessener Schalleistungspegel: L_{WA}: 89,0 dB(A); K=2,8 dB(A)

Vibrationsemissionswert ah: weniger als 2,5 m/s²; K=0,6 m/s²

BEPW1650:

Emissions-Schalldruckpegel L_{PA}: 75 dB(A); K=3 dB(A)

Gemessener Schalleistungspegel: L_{WA}: 88 dB(A); K=2,2 dB(A)

Vibrationsemissionswert ah: weniger als 2,5 m/s²; K= 0,5 m/s²

BEPW1700:

Emissions-Schalldruckpegel L_{PA}: 75 dB(A); K=3 dB(A)

Gemessener Schalleistungspegel: L_{WA}: 88 dB(A); K=2,2 dB(A)
Vibrationsemissionswert ah: weniger als 2,5 m/s²; K= 0,5 m/s²
BEPW2000:

Emissions-Schalldruckpegel L_{PA}: 78 dB(A); K=3,0 dB(A)

Gemessener Schalleistungspegel: L_{WA}: 91,0 dB(A); K=1,4 dB(A)

Vibrationsemissionswert ah: weniger als 2,5 m/s²; K=0,6 m/s²

EU-Konformitätserklärung

MASCHINENRICHTLINIE RICHTLINIE ÜBER UMWELTBELASTENDE GERÄUSCHEMISSIONEN



BEPW1300, BEPW1300L, BEPW1650, BEPW1700,
BEPW2000 Hochdruckreiniger

Black & Decker erklärt, dass die in den „Technischen Daten“ beschriebenen Geräte übereinstimmen mit:
2006/42/EC, EN 60335-1:2012+A11:2014+A13:2017+A1:2019
+A14:2019+A2:2019+A15:2021, EN60335-2-79:2012.
2000/14/EC, Anhang V

BEPW1300:

Gemessener Schalleistungspegel: L_{WA}: 89,0 dB(A); K=2,8 dB(A)

Garantierter Schalleistungspegel L_{WA}: 92 dB(A)

BEPW1300L:

Gemessener Schalleistungspegel: L_{WA}: 89,0 dB(A); K=2,8 dB(A)

Garantierter Schalleistungspegel L_{WA}: 92 dB(A)

BEPW1650:

Gemessener Schalleistungspegel: L_{WA}: 88 dB(A); K=2,2 dB(A)

Garantierter Schalleistungspegel L_{WA}: 91 dB(A)

BEPW1700:

Gemessener Schalleistungspegel: L_{WA}: 88 dB(A); K=2,2 dB(A)

Garantierter Schalleistungspegel L_{WA}: 91 dB(A)

BEPW2000:

Gemessener Schalleistungspegel: L_{WA}: 91,0 dB(A); K=1,4 dB(A)

Garantierter Schalleistungspegel L_{WA}: 93 dB(A)

Diese Produkte entsprechen außerdem den Richtlinien
2014/30/EU und 2011/65/EU.

Weitere Informationen erhalten Sie von Black & Decker unter der folgenden Adresse. Diese befindet sich auch auf der Rückseite dieser Anleitung.

Der Unterzeichnete ist verantwortlich für die Zusammenstellung der technischen Daten und gibt diese Erklärung im Namen von Black & Decker ab.

Patrick Diepenbach

Patrick Diepenbach
General Manager, Benelux
Black and Decker,
Egide Walschaertsstraat 14-18
2800 Mechelen, Belgien
27/04/2023

Garantie

Black & Decker vertraut auf die Qualität der eigenen Geräte und bietet dem Käufer eine außergewöhnliche Garantie von 24 Monaten ab Kaufdatum. Diese Garantie versteht sich unbeschadet der gesetzlichen Gewährleistungsansprüche und schränkt diese keinesfalls ein. Diese Garantie gilt innerhalb der Staatsgebiete des Vereinigten Königreichs, der Mitgliedstaaten der Europäischen Union und der Europäischen Freihandelszone.

Zur Inanspruchnahme dieser Garantie muss sie den allgemeinen Geschäftsbedingungen von Black + Decker entsprechen und dem Verkäufer bzw. der Vertragswerkstatt ist ein Kaufnachweis vorzulegen. Die Bedingungen für die 2-jährige Garantie von Black&Decker und den Standort Ihrer nächstgelegenen Vertragswerkstatt finden Sie im Internet unter www.2helpU.com, oder indem Sie sich an die lokale Black&Decker-Niederlassung wenden, deren Adresse Sie in dieser Anleitung finden.

Ihr neues Black & Decker Produkt können Sie auf unserer Website unter www.blackanddecker.de registrieren. Dort erhalten Sie auch Informationen über neue Produkte und Sonderangebote.

Utilisation prévue

Votre nettoyeur à pression BLACK+DECKER a été conçu pour nettoyer les bateaux, les véhicules, les terrasses, les allées, les grillages, les parements de maison, les motos, les patios et les meubles d'extérieur, dans un cadre domestique. Ne laissez pas les enfants toucher l'outil. Les utilisateurs inexpérimentés doivent être surveillés quand ils utilisent cet outil. Cet outil est destiné à un usage grand public uniquement.

Consignes de sécurité

CONSIGNES DE SÉCURITÉ IMPORTANTES



AVERTISSEMENT : Pour utiliser ce nettoyeur à pression, des principes de précaution de base, dont les suivants, doivent toujours être respectés :

- ◆ Si le câble d'alimentation est endommagé, il doit être remplacé par le fabricant ou par un centre d'assistance agréé BLACK+DECKER afin d'éviter tout risque.
- ◆ Cette machine n'est pas conçue pour être utilisée par des personnes (y compris des enfants) aux capacités physiques, sensorielles ou intellectuelles diminuées ou qui manquent d'expérience et de connaissances.
- ◆ Les enfants doivent être surveillés pour garantir qu'ils ne jouent pas avec l'appareil.
- ◆ Veillez à lire toutes les instructions avant d'utiliser le produit.
- ◆ Afin de réduire le risque de blessure, vous devez être particulièrement vigilant quand vous utilisez le produit près d'enfants.
- ◆ Apprenez comment éteindre le produit et purger la pression rapidement. Familiarisez-vous avec les commandes.
- ◆ Restez vigilant, surveillez ce que vous faites.
- ◆ N'utilisez pas le produit si vous êtes sous l'influence d'alcool ou de médicaments.
- ◆ Assurez-vous que la zone où vous intervenez reste vide de tout être humain ou animal.
- ◆ Ne vous penchez pas et ne montez pas sur une surface instable. Gardez les pieds bien ancrés au sol et conservez votre équilibre en permanence.
- ◆ Respectez les instructions de maintenance spécifiées dans la notice.
- ◆ Le raccordement à l'alimentation électrique doit être effectuée par un électricien qualifié et conformément à la norme IEC 60364-1. Il est recommandé que l'alimentation électrique de cette machine inclue soit un disjoncteur différentiel à courant résiduel capable de couper l'alimentation en cas de fuite du courant à la terre de plus de 30 mA pendant 30 ms, soit un dispositif pouvant prouver la mise à la terre.

- ◆ Lors de la mise en service, assurer l'exploitation, la manipulation, le transport et le stockage en toute sécurité de la machine en tenant compte de son poids.



AVERTISSEMENT : Risque de pénétration ou de blessure, ne dirigez le jet vers aucun être humain ou animal.



AVERTISSEMENT : Veuillez à lire l'intégralité de cette notice avant d'assembler, d'utiliser ou d'installer le produit.



AVERTISSEMENT : Cet appareil a été conçu pour un usage spécifique. Il ne doit pas être modifié et/ou utilisé pour tout autre application que celles pour lesquelles il a été conçu.

REMARQUE : Veuillez à toujours ranger votre nettoyeur à pression dans un endroit où la température ne peut pas descendre sous 40 °F (4 °C). Les dommages dus au gel ne sont pas couverts par la garantie.

1. Ne touchez pas les prises avec les mains mouillées.
2. **Évitez toute mise en marche accidentelle.** Coupez l'interrupteur avant de brancher le cordon dans une prise électrique ou de le débrancher.
3. Le jet d'eau ne doit jamais être dirigé vers des fils électriques ou la machine elle-même, vous risquez sinon d'être électrocuté.
4. **Ne transportez jamais votre nettoyeur à pression par son câble.** Ne tirez pas sur le cordon pour le débrancher de la prise.
5. Afin d'éviter tout dommage, le cordon ne doit pas être écrasé, ni placé près d'objets tranchants ou de sources de chaleur.
6. **Contrôlez les câbles électriques avant l'utilisation.** Les cordons endommagés peuvent réduire les performances du nettoyeur à pression et entraîner une électrocution
7. **Le jet fin est extrêmement puissant.** Il n'est pas conseillé de l'utiliser sur des surfaces peintes, des surfaces en bois ou des objets dont le revêtement est adhésif.
8. Assurez-vous que la zone où vous intervenez reste vide de tout être humain ou animal.
9. Veuillez à toujours utiliser vos deux mains pour utiliser le nettoyeur à pression, afin de pouvoir garder le contrôle de la lance.
10. **Ne touchez ni l'embout, ni le jet d'eau pendant l'utilisation.** Ne placez jamais vos mains devant l'embout.
11. **Portez des lunettes de protection pendant l'intervention.** Portez des vêtements et des chaussures capables de vous protéger si vous êtes accidentellement touché par le jet.
12. Débranchez la prise électrique de la prise murale quand vous n'utilisez pas la machine et avant de débrancher le tuyau haute pression.
13. **Veillez à ce que le tuyau haute pression ne soit jamais emmêlé ou plié car cela pourrait l'endommager. Inspectez régulièrement le tuyau haute pression. Remplacez immédiatement le tuyau s'il est endommagé, usé ou s'il montre une quelconque trace de fissure, de perforation, de bullage ou s'il fuit.** Ne prenez jamais en main un tuyau haute pression qui fuit ou qui est endommagé.
14. **N'utilisez et/ou ne rangez jamais ce produit à une température inférieure à 40 °F (4 °C).** Les dommages dus au gel ne sont couverts par la garantie.
15. **Respectez scrupuleusement les instructions et les avertissements liés aux produits chimiques avant l'utilisation. N'utilisez que des détergents pour nettoyeur à pression autorisés. N'utilisez ni eau de javel, ni chlore, ni tout autre produit contenant des acides. Respectez toujours les recommandations concernant la bonne utilisation des détergents qui figurent sur les étiquettes de leurs fabricants.** Veuillez à toujours protéger vos yeux, votre peau et votre système respiratoire des détergents.
16. **L'eau sous pression ne doit pas être utilisée en présence de vapeurs de gaz.** Une étincelle pourrait provoquer une explosion ou un incendie.
17. Afin de limiter la quantité d'eau pénétrant dans le nettoyeur à pression, l'appareil doit être positionné aussi loin que possible de la zone à nettoyer pendant l'utilisation.
18. Afin d'éviter toute pulvérisation accidentelle, le pistolet doit être sécurisé en verrouillant la gâchette quand l'appareil n'est pas utilisé.
19. Afin de garantir que l'air puisse circuler librement, le nettoyeur à pression ne doit jamais être couvert pendant son utilisation.
20. **Ne tentez jamais de toucher ou de couvrir à la main une fuite même minime sur un tuyau haute pression.** La pression du jet d'eau EST extrêmement forte et il vous PERFORERA la peau à coup sûr.
21. **N'utilisez que des tuyaux et des accessoires conçus pour une pression, en PSI ou en bars, supérieure à celle de votre nettoyeur à pression.** N'utilisez jamais aucun accessoire ou composant d'un autre fabricant.
22. Ne neutralisez jamais les dispositifs de sécurité de ce produit.
23. Ne faites pas fonctionner la machine si des pièces manquent, si des pièces sont cassées ou avec des pièces non autorisées.

24. Ne pulvérisiez jamais de liquides inflammables et n'utilisez jamais le nettoyeur à pression en présence de poussières, liquides ou gaz inflammables.



AVERTISSEMENT : Cette machine doit être utilisée avec le détergent fourni ou celui recommandé par le fabricant. L'utilisation d'autres détergents ou produits chimiques peut considérablement impacter la sûreté de la machine.



AVERTISSEMENT : L'utilisation des nettoyeurs à haute pression peut occasionner la formation de vapeurs. L'inhalation de ses vapeurs peut être dangereuse pour la santé.



AVERTISSEMENT : Les jets à haute pression peuvent être dangereux s'ils sont mal manipulés. Le jet ne doit jamais être dirigé vers aucun être humain, équipement électrique sous tension ou vers l'appareil lui-même.



AVERTISSEMENT : N'utilisez pas la machine à proximité d'autres personnes, à moins qu'elle ne portent des vêtements de protection.



AVERTISSEMENT : Ne dirigez jamais le jet vers vous-même ou vers les autres pour laver les vêtements ou les chaussures.



AVERTISSEMENT : Risque d'explosion. Ne pulvérisiez pas de liquides inflammables.



AVERTISSEMENT : Les nettoyeurs à haute pression ne doivent pas être utilisés par des enfants ou des personnes inexpérimentées.



AVERTISSEMENT : Les tuyaux haute pression, les accessoires et les raccords sont des éléments importants pour la sûreté de l'appareil. N'utilisez que des tuyaux, accessoires et raccords, recommandés par le fabricant.



AVERTISSEMENT : Afin de garantir la sûreté de la machine, n'utilisez que des pièces détachées d'origine, fabriquées par le fabricant ou approuvées par lui.



AVERTISSEMENT : L'eau ayant traversé des dispositifs anti-retour est considérée comme étant non-potable.



AVERTISSEMENT : La machine doit être débranchée de sa source d'alimentation électrique avant son nettoyage, sa maintenance et avant d'en remplacer des pièces.



AVERTISSEMENT : N'utilisez pas la machine si le cordon d'alimentation ou d'autres pièces importantes sont endommagées (ex : dispositifs de sécurité, tuyaux haute pression, gâchette, etc.).



AVERTISSEMENT : Des rallonges mal adaptées peuvent être dangereuses.

Si vous devez utiliser une rallonge, elle doit être homologuée pour les travaux à l'extérieur et les prises doivent rester au sec et surélevées par rapport au sol. Il est recommandé d'utiliser un enrouleur de câble qui maintient la prise à au moins 60 mm au-dessus du sol.



AVERTISSEMENT : Veillez à toujours couper l'alimentation électrique avec l'interrupteur quand vous laissez la machine sans surveillance.



AVERTISSEMENT : En fonction de votre intervention, vous pouvez utiliser des embouts isolés pour le nettoyage à haute pression. Ils permettent de réduire considérablement l'émission de vapeurs humides. Mais ces embouts ne peuvent pas être utilisés pour toutes les interventions. Si vous ne pouvez pas utiliser d'embouts avec écran pour vous protéger des vapeurs, le port d'un masque FFP2 ou similaire peut s'avérer nécessaire en fonction de l'environnement à nettoyer.

Sécurité des personnes

- ♦ Cet outil ne peut pas être utilisé par des personnes (y compris des enfants) ayant des capacités physiques, sensorielles ou mentales réduites, ou celles manquant d'expérience et de connaissances, à moins qu'elles ne soient encadrées ou qu'elles n'aient été formées à l'utilisation de l'outil par une personne responsable de leur sécurité.
- ♦ Les enfants doivent être surveillés pour garantir qu'ils ne jouent pas avec l'appareil.

Vibrations

La valeur des émissions de vibrations déclarée dans les caractéristiques techniques et la déclaration de conformité a été mesurée conformément à la méthode de test normalisée établie par la norme EN60335-2-79 et elle peut être utilisée pour comparer un outil à un autre. La valeur des vibrations émises déclarée peut aussi être utilisée pour une évaluation préliminaire à l'exposition.



AVERTISSEMENT : En fonction de la manière dont l'outil est utilisé, la valeur réelle des vibrations émises pendant l'utilisation du nettoyeur à pression peut différer de la valeur déclarée. Le niveau des vibrations peut dépasser le niveau déclaré.

Quand l'exposition aux vibrations est évaluée afin de déterminer les mesures de sécurité requises par la norme 2002/44/CE pour protéger les personnes utilisant régulièrement des outils électriques, l'estimation de l'exposition aux vibrations doit tenir compte des conditions réelles d'utilisation et de la façon dont l'outil est utilisé.

Il faut également tenir compte de toutes les composantes du cycle de fonctionnement comme les durées pendant lesquelles l'outil est arrêté et quand il fonctionne au ralenti, ainsi que la durée du déclenchement.

Étiquettes apposées sur l'outil

Les symboles suivant figurent sur l'outil avec le code date :



Avertissement ! Afin de réduire le risque de blessures, l'utilisateur doit lire la notice d'utilisation.



Portez une protection oculaire.



Portez une protection auditive.



La machine n'est pas destinée à être raccordée au réseau d'eau potable.



Puissance sonore garantie selon la Directive 2000/14/CE.
BEPW1300



Puissance sonore garantie selon la Directive 2000/14/CE.
BEPW1300L



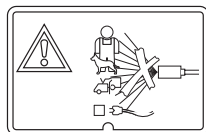
Puissance sonore garantie selon la Directive 2000/14/CE.
BEPW1650



Puissance sonore garantie selon la Directive 2000/14/CE.
BEPW1700



Puissance sonore garantie selon la Directive 2000/14/CE.
BEPW2000



Ne dirigez jamais le jet d'eau vers d'autres personnes, des animaux, la machine elle-même ou des composants électriques

Sécurité électrique



Cet outil est doublement isolé et il ne nécessite donc aucune liaison à la terre. Assurez-vous toujours que l'alimentation électrique correspond à la tension mentionnée sur la plaque signalétique.

Chutes de tension (BEPW2000 uniquement)

Les appels de courant provoquent des micro-chutes de tension. Si l'état de l'alimentation électrique n'est pas idéale, d'autres équipements peuvent en être affectés. Si l'impédance de l'alimentation électrique est inférieure à 0,378 Ω, les perturbations sont peu probables.

Caractéristiques

1. Tuyau haute pression
2. Lance
3. Bouton de l'embout
4. Poignée de pulvérisation
5. Grip de la poignée de pulvérisation
6. Verrouillage de la gâchette
7. Gâchette
8. Embout réglable d'un jet large à un jet très fin
9. Raccord de tuyau
10. Filtre
11. Bouteille pour détergent
12. Applicateur pour la bouteille de détergent
13. Bouton de raccordement du tuyau
14. Outil de nettoyage pour embouts
15. Embout Turbo (BEPW2000)
16. Ensemble nettoyeur à pression
17. Molette Marche/Arrêt
18. Poignée
19. Poignée rétractable (BEPW1700, BEPW2000)
20. Sortie d'eau à haute pression
21. Crochet de retenue pour le câble
22. Câble électrique

Assemblage et réglages



AVERTISSEMENT : Avant d'exécuter l'une des opérations qui suivent, assurez-vous que l'outil est éteint et débranché.

Installer la poignée de pulvérisation (Fig. A)

1. Pour installer la poignée de pulvérisation (4) sur la lance (2), insérez l'extrémité de la poignée dans l'extrémité de la lance.
2. Poussez et tournez la poignée de pulvérisation dans le sens inverse des aiguilles d'une montre pour la verrouiller en place.

Installer le tuyau haute pression (Fig. B)

REMARQUE : Ne tirez jamais sur le tuyau haute pression ou le tuyau d'alimentation en eau pour déplacer le nettoyeur à pression. Cela pourrait endommager le tuyau et/ou le raccord d'arrivée ou de sortie de la pompe.

1. Pour raccorder le tuyau haute pression (1) à la poignée de pulvérisation (4), enfoncez le bouton de raccordement du tuyau (13) tout en clipsant l'extrémité du tuyau (23) dans la poignée. Relâchez le bouton de raccordement du tuyau une fois le tuyau en position.
2. Pour raccorder le tuyau haute pression au nettoyeur à pression (16), vissez la bague du tuyau (24) sur la sortie d'eau du nettoyeur à pression (20).

REMARQUE : Déroulez le tuyau haute pression avant de l'installer pour ne pas le plier.

REMARQUE : Évitez de fausser le filetage en installant le tuyau. Cela pourrait entraîner une fuite.

Installer le tuyau d'arrosage (Fig. C-J2)

REMARQUE : Avant de raccorder le tuyau d'arrosage sur le nettoyeur à pression, faites couler de l'eau par le tuyau d'arrosage pendant trente secondes afin de supprimer tous les débris qui pourraient se trouver à l'intérieur.

1. Pour raccorder le tuyau d'arrosage au nettoyeur à pression (16), vissez le filtre (10) sur l'arrivée d'eau (25).
2. Raccordez le tuyau d'arrosage sur le raccord de tuyau (9) en desserrant la vis du raccord pour robinet de jardin et en fixant le tuyau dans le raccord. Raccordez le tuyau d'arrosage sur le raccord de tuyau (9) en vissant le tuyau d'arrosage sur le raccord pour robinet de jardin.
3. Fixez le tuyau d'arrosage (28) installé dans le raccord pour robinet de jardin sur le filtre (10) jusqu'à entendre le clic.

REMARQUE : Veillez à toujours débrancher le tuyau d'arrosage après chaque utilisation.

Installer les embouts (Fig. D)



DANGER : Risque d'infiltration de liquide. Veillez à ne jamais diriger le jet vers quiconque ou des parties de peau non protégées, les yeux ou des animaux domestiques ou sauvages. De graves blessures sont sinon possibles.



AVERTISSEMENT : La projection d'objets peut créer un risque de blessures graves. NE tentez PAS de remplacer les embouts lorsque le nettoyeur à pression est en marche. Éteignez le nettoyeur à pression avant de remplacer les embouts.

1. Pour installer un embout sur la lance (2), enfoncez le bouton pour l'embout (3) sur la lance et insérez le bon embout.
2. Relâchez le bouton pour verrouiller l'embout en place.

3. Tirez fermement sur l'embout pour vérifier qu'il est bien fixé en place.

Embout réglable d'un jet large à un jet très fin

Régler le jet pulvérisé (Fig. D1, D2)

L'angle du jet sortant de la lance peut être réglé en tournant l'embout. Cela fait varier le jet d'un jet très fin à fort impact de 0 ° à un jet très large de 60 °.

Un jet large permet de répartir l'impact de l'eau sur une plus grande surface. Le résultat du nettoyage est excellent tout en réduisant le risque d'endommager la surface nettoyée. Les plus grandes surfaces peuvent être nettoyées plus rapidement à l'aide d'un jet plus large.

Un jet fin pulvérise l'eau sur une surface plus concentrée. L'impact sur la surface lavée est donc plus fort. Utilisez un jet fin pour laver des zones très concentrées. Mais soyez prudent car il peut endommager certaines surfaces.

Installer la bouteille de détergent (Fig. I4)

Pour installer la bouteille de détergent (11 sur la poignée de pulvérisation (4), insérez l'extrémité de la bouteille dans la poignée et tournez la bouteille dans le sens inverse des aiguilles d'une montre pour la verrouiller en place.

REMARQUE : La lance et la bouteille ne peuvent pas être installées ensemble.

REMARQUE : La bouteille de détergent doit être placée sous le canon de la poignée de pulvérisation. N'installez pas la bouteille de détergent au-dessus du canon du pistolet en plastique pour ne pas que le produit coule sur le canon.

Embout réglable d'un jet large à un jet très fin	Pour le lavage doux des grandes surfaces.
Embout Turbo	Pour un nettoyage abrasif. (fourni avec le modèle BEPW2000 uniquement)

Utilisation



AVERTISSEMENT : Afin de réduire tout risque de blessure grave, éteignez la machine et débranchez-la de la source d'alimentation électrique avant de procéder à toute opération de réglage ou de retirer/ installer un équipement ou un accessoire. Un démarrage accidentel peut entraîner des blessures.

Position correcte des mains (Fig. E)



AVERTISSEMENT : Afin de réduire tout risque de graves blessures, veillez à **TOUJOURS** respecter la bonne position des mains, comme illustrée.



AVERTISSEMENT : Afin de réduire tout risque de graves blessures, veillez à **TOUJOURS** tenir l'outil fermement pour pouvoir anticiper toute éventuelle réaction soudaine.

La position correcte des mains nécessite d'avoir une main sur le grip de la poignée de pulvérisation (5) et l'autre main sur la poignée de pulvérisation (4).

Nettoyer à haute pression

Préparer la surface à nettoyer

- Retirez de la zone d'intervention tous les objets qui pourraient créer un risque, comme les jouets d'enfants ou le mobilier de jardin par exemple.
- Veillez à bien fermer toutes les portes et toutes les fenêtres.
- Protégez toutes les plantes et tous les arbres aux alentours avec des bâches de protection afin de garantir qu'ils ne pourront pas être abîmés par le jet.
- Commencez par rincer la zone d'intervention à l'eau courante.
- Veillez à n'utiliser que des détergents spécialement formulés pour les nettoyeurs à pression.
- Testez toujours le détergent dans une zone discrète avant de commencer.

Préparer le nettoyeur à pression avant de l'utiliser (Fig. J1, J2, J3, J4)



DANGER : Risque d'infiltration de liquide ou de laceration. Lorsque vous utilisez le niveau de réglage Haute pression, NE laissez PAS le jet à haute pression entrer en contact avec votre peau non protégée, vos yeux ou n'importe quel animal, domestique ou non. De graves blessures sont sinon possibles.



ATTENTION : Avant l'utilisation :

1. Raccordez le tuyau d'arrosage à l'alimentation en eau. L'eau peut être prise d'un robinet ou d'une autre source d'alimentation en eau. Consultez la section **Auto-amorçage** dans Préparer le nettoyeur à haute pression avant de l'utiliser.
2. Raccordez le tube haute pression au nettoyeur à pression et à la poignée de pulvérisation. Pour savoir comment raccorder le tube haute pression au nettoyeur à pression et à la poignée de pulvérisation, consultez la section **Installer le tuyau haute pression** dans Assemblage et réglages.
3. Raccordez le tuyau d'arrosage au nettoyeur à pression. Pour savoir comment raccorder l'alimentation en eau au nettoyeur à pression, consultez la section **Installer le tuyau d'arrosage** dans Assemblage et Réglages.
4. Branchez le cordon d'alimentation dans une prise électrique appropriée.

Préparer la poignée de pulvérisation

IMPORTANT : Avant de mettre le nettoyeur à pression en marche, désenclenchez le système de verrouillage de la gâchette (6) en enfoncez la gâchette (7).

1. Désenclenchez le système de verrouillage de la gâchette (6).
2. Enfoncez la gâchette (7). Maintenez la gâchette enfoncée pendant 30 secondes pour purger l'air dans le circuit.
3. Continuez à faire couler de l'eau par la poignée de pulvérisation tant que vous détectez de l'air dans le jet d'eau.

Raccordement en eau



ATTENTION : Conformément à la réglementation en vigueur, l'appareil ne doit jamais être utilisé sur le réseau d'eau potable sans qu'un séparateur ne soit installé. Veillez à utiliser un séparateur tel que défini dans la norme IEC 61770 Type BA.



L'eau qui circule à travers un séparateur est considérée comme étant non potable.

- Respectez les prescriptions de votre fournisseur d'eau.
- Tous les tuyaux raccordés doivent disposer de joints d'étanchéité adaptés.
- Veillez à ce que le tuyau d'alimentation soit un tuyau renforcé d'un diamètre minimum de 12,7 mm.
- L'appareil ne doit jamais être utilisé sur le réseau d'eau potable sans clapet anti-retour. L'eau ayant circulé à travers un clapet anti-retour est considérée comme étant non-potable.

Nettoyer une surface

1. Pour mettre le nettoyeur à pression en marche, tournez la molette Marche/Arrêt (17) sur la position Marche.
2. Vérifiez que le robinet d'eau est bien ouvert ou utilisez une autre source d'alimentation en eau pour que le nettoyeur à pression soit alimenté en eau.
3. Le meilleur angle d'inclinaison pour pulvériser l'eau contre la surface à nettoyer est 45 °.
 - La pulvérisation frontale a tendance à provoquer l'incrustation des particules sales dans la surface.
 - Lorsque vous intervenez sur des surfaces verticales, il est préférable d'appliquer le détergent et de travailler de bas en haut pour éviter les coulures et les traînées.
4. Pour désactiver la poignée de pulvérisation, relâchez la gâchette.

REMARQUE : Une pression excessive de la pompe peut indiquer que l'embout est bouché. Veillez à toujours éteindre le nettoyeur à pression et à le débrancher avant de tenter de déboucher un embout.

Détergents (I1, I2, I3, I4)

Pour connaître les étapes afin d'installer la bouteille à détergent, consultez la section **Installer la bouteille de détergent** dans Assemblage et réglages.

L'utilisation de détergents peut considérablement diminuer la durée du nettoyage et aider à supprimer les taches tenaces. Certains détergents ont été adaptés pour les opérations de nettoyage spécifiques avec des nettoyeurs à pression.

Le pouvoir détachant des détergents tient à leur pulvérisation sur les surfaces et au délai laissé aux produits chimiques pour dissoudre la saleté. Les détergents agissent mieux s'ils sont pulvérisés à basse pression. La combinaison de l'action chimique et du rinçage à haute pression est très efficace.

Sur les surfaces verticales, pulvérisez le détergent en travaillant de bas en haut. Cela permet d'éviter que le détergent ne coule et qu'il laisse des traînées. Le rinçage à haute pression doit également être réalisé de bas en haut. Pour les taches très tenaces, l'utilisation d'une brosse peut être nécessaire, en plus du détergent et du rinçage à haute pression.

Déplacer le nettoyeur à pression

1. Éteignez le nettoyeur à pression (16) en tournant la molette Marche/Arrêt (17) sur la position Arrêt puis en coupant l'arrivée d'eau.
2. Dirigez la lance (2) vers une zone sûre et enfoncez la gâchette (7) pour vider l'eau restante.
3. Une fois la lance complètement vide, soulevez le nettoyeur à pression par la poignée (18).

Extinction

1. Éteignez le nettoyeur à pression (16) en tournant la molette Marche/Arrêt (17) sur la position Arrêt et débranchez le cordon de la prise de courant.
2. Fermez le robinet d'eau ou débranchez l'appareil de l'autre source d'alimentation en eau.
3. Purgez la pression restante en enfonçant la gâchette (7) jusqu'à ce qu'il n'y ait plus d'eau qui sorte de la lance (2).
4. Enclenchez le système de verrouillage de la gâchette (6).
5. Débranchez le tuyau d'arrosage (28) de l'arrivée d'eau (25).
6. Débranchez le tuyau haute pression (1) de la sortie d'eau à haute pression (20) et videz le tuyau.

Auto-amorçage

1. Raccordez le tuyau d'arrivée d'eau au nettoyeur à pression. Consultez la section **Installer le tuyau d'arrosage** dans Assemblage et réglages.
2. Installez l'extrémité libre du tuyau avec le filtre dans une source d'eau autre qu'un robinet (un seau par exemple).
3. Raccordez le tuyau haute pression à la poignée de pulvérisation. Consultez la section **Installer le tuyau haute pression** dans Assemblage et réglages.

4. Branchez le nettoyeur à pression à une source d'alimentation électrique.
5. Mettez le nettoyeur à pression en marche en tournant la molette Marche/Arrêt sur la position Marche.
6. Éteignez le nettoyeur à pression dès que l'eau sort par le tuyau de sortie de l'appareil.
7. Débranchez le nettoyeur à pression de la source d'alimentation électrique.
8. Installez le tuyau haute pression sur le tube de sortie de la pompe.
9. Branchez le nettoyeur à pression à une source d'alimentation électrique.
10. Mettez le nettoyeur à pression en marche en tournant la molette Marche/Arrêt sur la position Marche.
11. Actionnez la gâchette de la poignée de pulvérisation pour commencer le nettoyage.

Maintenance

Votre outil BLACK+DECKER a été conçu pour fonctionner longtemps avec un minimum d'entretien. Le fonctionnement continu et satisfaisant de l'outil dépend de son bon entretien et de son nettoyage régulier.



Avertissement ! Avant de réaliser toute opération de maintenance sur l'outil.

- ♦ Nettoyez régulièrement les orifices d'aération de votre outil à l'aide d'une brosse souple ou d'un chiffon sec.
- ♦ Nettoyez régulièrement le bloc-moteur à l'aide d'un chiffon humide. N'utilisez pas de détergents abrasifs ou à base de solvants.

Nettoyage

Nettoyer les embouts (Fig. A, G)

Si un embout est bouché par un corps étranger, la pression peut se développer de façon excessive. Si l'embout n'est que partiellement bouché, la pression de la pompe sort par à-coups. Nettoyez immédiatement l'embout à l'aide de l'outil de nettoyage pour les embouts.

1. Éteignez et débranchez le nettoyeur à pression (16).
2. Coupez l'arrivée d'eau.
3. Enfoncez la gâchette (7) sur la poignée de pulvérisation (4) pour libérer la pression de l'eau.
4. Retirez l'embout de la lance (2) en enfonçant le bouton (3).
5. À l'aide de l'outil de nettoyage pour embouts (14), délogez les débris de l'embout.
6. Faites couler de l'eau à travers l'embout depuis un robinet ou un tuyau d'arrosage.

Nettoyer le filtre (Fig. K)

Inspectez le filtre (10) avant chaque utilisation et nettoyez-le si nécessaire. Retirez l'élément filtrant et passez-le sous l'eau pour en retirer tous les résidus.

Rangement

- Rangez l'appareil dans un endroit sec, couvert et hors gel. **RANGEZ À L'INTÉRIEUR.**
- Veillez à toujours complètement vider l'eau du tuyau haute pression, du nettoyeur à pression, des embouts et de la lance.
- Il est possible de ranger les embouts dans l'appareil comme illustré par la Fig. H. **REMARQUE :** Les embouts, Turbo (BEPW2000) ou réglable, peuvent être rangés sur la lance.
- Le cordon électrique peut être enroulé et fixé sur le crochet de retenue (21), comme illustré par la Fig. I.
- Le tuyau haute pression (1) peut être enroulé et fixé sur la poignée (18) à l'aide du crochet et de la bande en scratch (27) comme illustré par la Fig. I.
- La poignée de pulvérisation (4) peut être rangée à l'arrière de l'appareil sur le support (26), comme illustré par la Fig. I.
- La lance (2) peut être rangée à l'arrière de l'appareil sur le support (26), comme illustré par la Fig. I.

Remplacer la prise de courant (RU et Irlande uniquement)

Si une nouvelle prise électrique doit être installée :

- ♦ Jetez l'ancienne prise de façon appropriée.
- ♦ Raccordez le fil brun à la phase de la nouvelle prise.
- ♦ Raccordez le fil bleu au neutre.



AVERTISSEMENT : Aucun branchement ne doit être fait à la borne de terre. Respectez les instructions d'installation fournies avec les prises de bonne qualité.

Fusible recommandé : 13 A.

Protection de l'environnement



Tri sélectif. Les produits et les piles/batteries marqués de ce symbole ne doivent pas être jetés avec les déchets ménagers.

Les produits et les piles/batteries contiennent des matières qui peuvent être récupérées et recyclées afin de réduire la demande en matières premières.

Veillez à recycler les produits électriques et les piles/batteries conformément aux prescriptions locales en vigueur. Pour obtenir plus de précisions, consultez le site www.2helpU.com

Caractéristiques techniques

	BEPW1300	BEPW1300L	BEPW1650	BEPW1700	BEPW2000
Type	1	1	1	1	1
Puissance	1300W _{max (2000)}	1300W _{max (2000)}	1650W _{max (2000)}	1700W _{max (2000)}	2000W _{max (2000)}
Débit nominal	5,2 L/min	5,2 L/min	5,5 L/min	5,5 L/min	5,8 L/min
Débit maxi	6,6 L/min	6,6 L/min	6,8 L/min	6,8 L/min	7,5 L/min

	BEPW1300	BEPW1300L	BEPW1650	BEPW1700	BEPW2000
Pression nominale (bar/PSI/MPa)	74 / 1073 / 7,4	74 / 1073 / 7,4	80 / 1160 / 8	83,5 / 1211 / 8,35	105 / 1523 / 10,5
Pression maxi (bar/PSI/MPa)	110 / 1600/ 11	110 / 1600/ 11	120 / 1740 / 12	125 / 1810 / 12,5	150 / 2175 / 15
Température de l'eau	50 ° C	50 ° C	50 ° C	50 ° C	50 ° C
Arrivée d'eau	Eau froide propre	Eau froide propre	Eau froide propre	Eau froide propre	Eau froide propre
Niveau de puissance sonore garanti L _{WA} dB(A)	92	92	91	91	93
Pression d'arrivée maxi MPa	1,0	1,0	1,0	1,0	1,0
Protection du moteur	IPX5	IPX5	IPX5	IPX5	IPX5
Type de moteur	À balais	À balais	À balais	À balais	À balais
Balais	Aluminium	Aluminium	Aluminium	Aluminium	Aluminium
Auto-amorçage	Oui	Oui	Oui	Oui	Oui
Longueur du tuyau	3M	3M*	3M*	6M	6M
Filtre intégré	Oui	Oui	Oui	Oui	Oui
Poids	4,9 KG	5,3 KG	5,3 KG	6,3 KG	8,2 KG
Force de recul du pistolet à la pression maximum	21N	21N	21N	21N	21N

*PA/KI/KIT = 6M

Données de test N&V :

BEPW1300 :

Niveau de la pression sonore émise L_{PA} : 77,0 dB(A) ;

K=3,0 dB(A)

Niveau de puissance sonore mesuré : L_{WA} : 89,0 dB(A); K=2,8 dB(A)

Valeur des vibrations émises ah : inférieur à 2,5 m/s²; K=0,6 m/s²

BEPW1300L :

Niveau de la pression sonore émise L_{PA} : 77,0 dB(A); K=3,0 dB(A)

Niveau de puissance sonore mesuré : L_{WA} : 89,0 dB(A); K=2,8 dB(A)

Valeur des vibrations émises ah : inférieur à 2,5 m/s²; K=0,6 m/s²

BEPW1650 :

Niveau de la pression sonore émise L_{PA} : 75 dB(A) ; K= 3 dB(A)

Niveau de puissance sonore mesuré : L_{WA} : 88 dB(A) ; K= 2,2 dB(A)

Valeur des vibrations émises ah : inférieur à 2,5m/s²; K= 0,5m/s²

BEPW1700 :

Niveau de la pression sonore émise L_{PA} : 75 dB(A) ; K= 3 dB(A)

Niveau de puissance sonore mesuré : L_{WA} : 88 dB(A) ; K= 2,2 dB(A)

Valeur des vibrations émises ah : inférieur à 2,5m/s² ; K= 0,5m/s²

BEPW2000 :

Niveau de la pression sonore émise L_{PA} : 78 dB(A); K=3,0 dB(A)

Niveau de puissance sonore mesuré : L_{WA} : 91,0 dB(A); K=1,4 dB(A)

Valeur des vibrations émises ah : inférieur à 2,5 m/s² ; K=0,6 m/s²

Déclaration de conformité CE

DIRECTIVES MACHINES DIRECTIVE RELATIVE AUX NUISANCES SONORES EXTÉRIEURES



BEPW1300, BEPW1300L, BEPW1650, BEPW1700,
BEPW2000 Nettoyeur à pression

Black & Decker certifie que les produits décrits dans les "Caractéristiques techniques" sont en conformité avec : 2006/42/CE, EN 60335-1:2012+A11:2014+A13:2017+A1:2019 +A14:2019+A2:2019+A15:2021, EN60335-2-79:2012. 2000/14/CE, Annexe V

BEPW1300 :

Niveau de puissance sonore mesuré : L_{WA} : 89,0 dB(A); K=2,8 dB(A)

Niveau de puissance sonore garanti L_{WA} : 92 dB(A)

BEPW1300L :

Niveau de puissance sonore mesuré : L_{WA} : 89,0 dB(A); K=2,8 dB(A)

Niveau de puissance sonore garanti L_{WA} : 92 dB(A)

BEPW1650 :

Niveau de puissance sonore mesuré : L_{WA} : 88 dB(A) ; K= 2,2 dB(A)

Niveau de puissance sonore garanti L_{WA} : 91 dB(A)

BEPW1700 :

Niveau de puissance sonore mesuré : L_{WA} : 88 dB(A) ; K= 2,2 dB(A)

Niveau de puissance sonore garanti L_{WA} : 91 dB(A)

BEPW2000 :

Niveau de puissance sonore mesuré : L_{WA} : 91,0 dB(A); K=1,4 dB(A)

Niveau de puissance sonore garanti L_{WA} : 93 dB(A)

Ces produits sont également conformes aux directives 2014/30/UE et 2011/65/UE.

Le soussigné est responsable de la compilation du dossier technique il fait cette déclaration au nom de Black & Decker.

Patrick Diepenbach

Patrick Diepenbach
General Manager, Benelux
Black and Decker,
Egide Walschaertsstraat 14-18
2800 Mechelen, Belgique
27/04/2023

Garantie

Black & Decker est sûr de la qualité de ses produits et offre une garantie de 24 mois à ses clients, à partir de la date d'achat.

Cette garantie s'ajoute à vos droits légaux auxquels elle ne porte aucunement préjudice.

Cette garantie est valable au sein des territoires du Royaume-Uni, des états membres de l'Union européenne et au sein de la zone européenne de libre-échange.

Pour prétendre à la garantie, la réclamation doit être conforme aux conditions générales de Black & Decker et vous devez fournir une preuve d'achat au vendeur ou au réparateur agréé.

Les conditions générales de la garantie de 2 ans Black&Decker ainsi que l'adresse du réparateur agréé le plus proche sont disponibles sur le site Internet www.2helpU.com ou en contactant votre agence Black & Decker locale à l'adresse indiquée dans cette notice.

Consultez notre site Internet www.blackanddecker.co.uk pour enregistrer votre nouveau produit Black & Decker et pour être tenu informé des nouveautés et des offres spéciales.

Pour plus de précisions, veuillez contacter Black & Decker à l'adresse qui suit ou consulter le dos de la présente notice.

Uso previsto

L'idropulitrice Your BLACK+DECKER è stata progettata per la pulizia di barche, automobili, balconi, vialetti, griglie, rivestimenti esterni di abitazioni, motociclette, cortili e mobili da giardino.

Non consentire ai bambini di venire a contatto con l'elettrodomestico. L'uso di questo elettrodomestico da parte di persone inesperte deve avvenire sotto sorveglianza. Questo elettrodomestico è destinato esclusivamente all'uso privato.

Istruzioni di sicurezza

ISTRUZIONI DI SICUREZZA IMPORTANTI



AVVERTENZA: durante l'uso dell'idropulitrice è sempre necessario seguire delle precauzioni di base tra cui quelle elencate di seguito:

- ◆ Per prevenire pericoli, i cavi di alimentazione danneggiati devono essere sostituiti dal fabbricante o da un centro di assistenza BLACK+DECKER.
- ◆ Questa macchina non è destinata all'uso da parte di persone (compresi i bambini) con capacità fisiche, sensoriali o mentali ridotte, o prive di esperienza e conoscenza.
- ◆ I bambini devono essere sorvegliati per assicurarsi che non giochino con l'apparecchio.
- ◆ Leggere tutte le istruzioni prima di utilizzare il prodotto.
- ◆ Per ridurre i rischi di infortuni, occorre esercitare una stretta sorveglianza quando un prodotto viene utilizzato in prossimità di bambini.
- ◆ Sapere come arrestare il prodotto e scaricare le pressioni rapidamente. Acquisire la completa familiarità dei comandi.
- ◆ Prestare sempre attenzione e concentrarsi su ciò che si sta facendo.
- ◆ Non utilizzare il prodotto in caso di stanchezza o sotto l'effetto di alcol o sostanze stupefacenti.
- ◆ Mantenere la zona di lavoro libera da persone e animali.
- ◆ Non sporgersi troppo né stare in piedi su un supporto instabile. Mantenere sempre un appoggio e un equilibrio adeguati.
- ◆ Seguire le istruzioni di manutenzione specificate nel manuale.
- ◆ Il collegamento all'alimentazione elettrica deve essere effettuato da un elettricista qualificato ed essere conforme alla norma IEC 60364-1. Si raccomanda che l'alimentazione elettrica di questa macchina includa un dispositivo di corrente residua che interrompa l'alimentazione se la corrente di dispersione a terra supera i 30 mA per 30 ms o un dispositivo di protezione del circuito di terra.

- ◆ Durante la messa in servizio, il funzionamento sicuro, la movimentazione, il trasporto e l'immagazzinamento della macchina tenendo conto del suo peso.



AVVERTENZA: rischio di iniezione o lesioni personali: non dirigere il flusso di scarico verso persone o animali.



AVVERTENZA: leggere il manuale nella sua interezza prima di tentare di assemblare, utilizzare o installare il prodotto.



AVVERTENZA: questo prodotto è stato progettato per applicazioni specifiche. Non deve essere modificato e/o utilizzato per alcuna applicazione diversa da quella per cui è stata progettata.

AVVISO: conservare sempre l'idropulitrice in un luogo in cui la temperatura non scenda al di sotto dei 4 °C (40°F). I danni da congelamento non sono coperti dalla garanzia.

1. Non toccare la spina o la presa con le mani bagnate.
2. **Evitare accensioni involontarie dell'elettrodomestico.** Spostare l'interruttore sull'unità in posizione OFF prima di collegare o scollegare il cavo dalle prese elettriche.
3. La pistola a spruzzo non deve mai essere diretta verso i cavi elettrici o direttamente verso l'idropulitrice stessa, altrimenti potrebbero verificarsi scosse elettriche mortali.
4. **Non trasportare mai l'idropulitrice tenendola per il cavo.** Non disinserire la spina tirando il cavo di alimentazione.
5. Per evitare danni, il cavo non deve essere schiacciato, posizionato accanto a oggetti appuntiti o vicino a una fonte di calore.
6. **Controllare i cavi di alimentazione prima dell'uso.** I cavi danneggiati possono ridurre le prestazioni dell'idropulitrice o causare scosse elettriche fatali.
7. **Il flusso puntiforme stretto è molto potente.** Non è raccomandato per l'uso su superfici verniciate, superfici in legno o oggetti fissati con un supporto adesivo.
8. Mantenere la zona di lavoro libera da persone e animali.
9. Usare sempre entrambe le mani quando si utilizza l'idropulitrice per mantenere il controllo completo della lancia.
10. **Non toccare l'ugello o il getto dell'acqua quando l'idropulitrice è in funzione.** Non mettere mai le mani davanti all'ugello.
11. **Indossare occhiali di sicurezza durante l'uso.** Indossare indumenti e calzature protettivi per proteggersi da spruzzi accidentali.
12. Scollegare la spina di alimentazione dalla presa di corrente quando la macchina non è in uso e prima di staccare il tubo flessibile ad alta pressione.
13. **Non annodare o attorcigliare mai il tubo flessibile ad alta pressione poiché potrebbe danneggiarsi.**

Ispezionare regolarmente il tubo flessibile ad alta pressione.

Sostituire immediatamente il tubo se è danneggiato, usurato o mostra segni di crepe, bolle, piccoli fori o perdite.

Non afferrare mai un tubo flessibile ad alta pressione che perde o è danneggiato.

14. **Non utilizzare o conservare questo prodotto a temperature al di sotto di 40 °F (4 °C).** I danni da congelamento non sono coperti dalla garanzia.
15. **Osservare attentamente tutte le istruzioni e le avvertenze chimiche prima dell'uso. Utilizzare esclusivamente idropultrici approvate. Non utilizzare candeggina, cloro o detergenti contenenti acidi. Seguire sempre le raccomandazioni riportate sull'etichetta del produttore per un uso corretto dei detergenti.** Proteggere sempre gli occhi, la pelle e l'apparato respiratorio dai detergenti.
16. **L'idropulitrice non deve essere utilizzata in aree in cui possono essere presenti vapori di gas.** Una scintilla elettrica potrebbe causare un'esplosione o un incendio.
17. Per ridurre al minimo la quantità di acqua che penetra nell'idropulitrice, l'unità deve essere posizionata il più lontano possibile dal luogo di pulizia durante il funzionamento.
18. Per evitare scariche accidentali, la pistola a spruzzo deve essere fissata bloccando il grilletto quando non viene utilizzata.
19. Per consentire la libera circolazione dell'aria, l'idropulitrice NON deve essere coperta durante il funzionamento.
20. **Non toccare, afferrare o tentare di coprire un piccolo foro o una perdita d'acqua simile sul tubo flessibile ad alta pressione.** Il flusso d'acqua È ad alta pressione e penetra nella pelle.
21. **Utilizzare esclusivamente tubi e accessori classificati per una pressione superiore al PSI / Bar dell'idropulitrice.** Non utilizzare mai con accessori o componenti di altri produttori.
22. Non manomettere mai le funzionalità di sicurezza di questo prodotto.
23. Non utilizzare la macchina con parti mancanti, rotte o non autorizzate.
24. Non spruzzare mai liquidi infiammabili né utilizzare idropultrici in aree in cui siano presenti polvere, liquidi o vapori combustibili.



AVVERTENZA: questa macchina è stata progettata per l'uso con il detergente fornito o consigliato dal produttore. L'uso di altri detergenti o prodotti chimici potrebbe influire negativamente sulla sicurezza della macchina.



AVVERTENZA: durante l'uso delle idropultrici potrebbero formarsi aerosol. L'inalazione di aerosol può essere pericolosa per la salute.



AVVERTENZA: il getto ad alta pressione può essere pericoloso in caso di uso improprio. Il getto non deve essere diretto contro persone, apparecchiature elettriche sotto tensione o la macchina stessa.



AVVERTENZA: non utilizzare la macchina nelle vicinanze di persone a meno che non indossino indumenti protettivi.



AVVERTENZA: non dirigere il getto contro se stessi o altri per pulire indumenti o calzature.



AVVERTENZA: rischio di esplosione – Non spruzzare liquidi infiammabili.



AVVERTENZA: le idropultrici non devono essere utilizzate dai bambini o da personale non addestrato.



AVVERTENZA: tubi flessibili, raccordi e giunti ad alta pressione sono importanti per la sicurezza della macchina. Utilizzare esclusivamente tubi, raccordi e giunti consigliati dal fabbricante.



AVVERTENZA: per garantire la sicurezza della macchina, utilizzare esclusivamente ricambi originali o comunque approvati dal fabbricante.



AVVERTENZA: l'acqua che è passata attraverso i disgiuntori idraulici è considerata non potabile.



AVVERTENZA: la macchina deve essere scollegata dalla fonte di alimentazione durante le operazioni di pulizia o manutenzione e durante la sostituzione delle parti.



AVVERTENZA: non utilizzare la macchina in caso di danneggiamento di un cavo di alimentazione o di parti importanti della macchina, ad es. dispositivi di sicurezza, tubi flessibili ad alta pressione, pistola a grilletto.



AVVERTENZA: prolunghe inadeguate possono essere pericolose. Se viene utilizzata una prolunga, questa deve essere adatta per l'uso all'aperto e la connessione deve essere mantenuta asciutta e sollevata da terra. Si consiglia di eseguire questa operazione mediante un avvolgicavo che mantenga la presa ad almeno 60 mm dal suolo.



AVVERTENZA: spegnere sempre il sezionatore di rete quando si lascia la macchina incustodita.



AVVERTENZA: a seconda dell'applicazione, è possibile utilizzare testine schermate per la pulizia ad alta pressione, che ridurranno drasticamente l'emissione di aerosol idrati. Tuttavia, non tutte le applicazioni consentono l'utilizzo di tale dispositivo.

Se non è possibile applicare ugelli schermati per la protezione dagli aerosol, potrebbe essere necessaria una mascherina di protezione di classe FFP 2 o equivalente, a seconda dell'ambiente di pulizia.



Utilizzare dispositivi di protezione per l'udito.



Macchina non adatta per essere collegata alla rete dell'acqua potabile.



Potenza sonora garantita ai sensi della Direttiva 2000/14/CE.
BEPW1300



Potenza sonora garantita ai sensi della Direttiva 2000/14/CE.
BEPW1300L



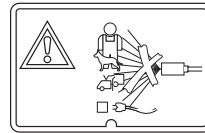
Potenza sonora garantita ai sensi della Direttiva 2000/14/CE.
BEPW1650



Potenza sonora garantita ai sensi della Direttiva 2000/14/CE.
BEPW1700



Potenza sonora garantita ai sensi della Direttiva 2000/14/CE.
BEPW2000



Non dirigere mai il getto dell'acqua verso persone e animali né verso l'apparecchio o componenti elettrici

Sicurezza elettrica



Il doppio isolamento di cui è provvisto l'elettrotrattensile rende superfluo il filo di terra. Assicurarsi che la tensione della rete di alimentazione corrisponda al valore indicato sulla targhetta dei valori nominali.

Cadute di tensione (solo per BEPW2000)

Le correnti di inserzione causano brevi cadute di tensione. Se le condizioni in cui l'alimentazione elettrica è erogata sono sfavorevoli, ciò potrebbe influire su altre attrezzature. Se l'impedenza massima dell'alimentazione di rete è inferiore a 0,378 Ω, è improbabile che si verifichino dei disturbi.

Caratteristiche

1. Tubo flessibile ad alta pressione
2. Lancia
3. Pulsante della testina
4. Impugnatura della pistola
5. Manopola della pistola
6. Blocco del grilletto
7. Grilletto di azionamento

Sicurezza altrui

- ♦ Questo elettrotrattensile non è destinato all'uso da parte di persone di qualsiasi età (compresi i bambini) con capacità fisiche, sensoriali o mentali ridotte, o prive di esperienza e conoscenze, salvo che siano sottoposte a sorveglianza o ricevano opportune istruzioni riguardo all'uso dell'elettrotrattensile da parte di una persona responsabile della loro sicurezza.
- ♦ I bambini devono essere sorvegliati per assicurarsi che non giochino con l'apparecchio.

Vibrazioni

I valori di emissione di vibrazioni dichiarati, indicati nella sezione "Dati tecnici" e nella Dichiarazione di conformità, sono stati misurati in base al metodo di prova standard previsto dalla normativa EN60335-2-79 e possono essere usati come parametri di confronto tra due elettrotrattensili. Il valore di emissione di vibrazioni dichiarato può anche essere usato per una valutazione preliminare dell'esposizione.



AVVERTENZA: Il valore di emissione di vibrazione durante l'impiego effettivo dell'idropulitrice può variare da quello dichiarato a seconda delle modalità d'uso. Il livello di emissione di vibrazioni potrebbe superare il valore dichiarato.

Quando si valuta l'esposizione alle vibrazioni per stabilire le misure di sicurezza richieste, in conformità alla normativa 2002/44/CE destinata alla protezione delle persone che utilizzano regolarmente elettrotrattensili nello svolgimento delle proprie mansioni lavorative, è necessario prendere in considerazione le condizioni effettive di utilizzo e il modo in cui l'elettrotrattensile viene usato, oltre che tenere conto di tutte le componenti del ciclo operativo, vale a dire i periodi in cui l'elettrotrattensile è spento, quelli in cui è acceso ma a riposo e quelli in cui viene effettivamente utilizzato.

Etichette sull'elettrotrattensile

Sull'elettrotrattensile sono presenti i seguenti simboli assieme al codice data:



Avvertenza! Per ridurre il rischio di lesioni personali l'utilizzatore deve leggere il manuale di istruzioni.



Indossare protezioni oculari.

8. Testina con getto da ventaglio a matita
9. Connettore tubo flessibile
10. Filtro
11. Flacone del detergente
12. Applicatore del flacone del detergente
13. Pulsante di collegamento del tubo flessibile
14. Strumento di pulizia della testina
15. Testina turbo (BEPW2000)
16. Corpo dell'idropulitrice
17. Manopola di accensione/spegnimento
18. Impugnatura
19. Impugnatura retrattile (BEPW1700, BEPW2000)
20. Scarico dell'acqua ad alta pressione
21. Gancio fermacavo
22. Cavo di alimentazione

Assemblaggio e regolazioni



AVVERTENZA: Prima di tentare di eseguire una qualsiasi delle seguenti operazioni, assicurarsi che l'elettrotensile sia spento e scollegato dalla presa di corrente.

Fissaggio dell'impugnatura della pistola (Fig. A)

1. Per collegare l'impugnatura della pistola (4) alla lancia (2), inserire la parte terminale dell'impugnatura della pistola sulla parte terminale della lancia.
2. Premere e ruotare l'impugnatura della pistola in senso antiorario per bloccarla in posizione.

Fissaggio del tubo flessibile ad alta pressione (Fig. B)

AVVISO: non tirare mai il tubo flessibile ad alta pressione o il tubo di alimentazione dell'acqua per spostare l'idropulitrice. Ciò potrebbe danneggiare il tubo e/o l'ingresso della pompa e/o l'uscita della pompa.

1. Per collegare il tubo flessibile ad alta pressione (1) all'impugnatura della pistola (4), premere il pulsante di collegamento del tubo flessibile (13) facendo scattare in posizione la parte terminale del tubo flessibile (23) nell'impugnatura della pistola. Rilasciare il pulsante di collegamento del tubo flessibile quando l'estremità del tubo flessibile è scattata in posizione.
2. Per collegare il tubo flessibile ad alta pressione all'idropulitrice (16), avvitare il collare del tubo flessibile (24) sullo scarico dell'acqua ad alta pressione (20).
NOTA: srotolare il tubo flessibile ad alta pressione prima dell'installazione per evitare attorcigliamenti.
NOTA: durante l'installazione del tubo di aspirazione, evitare di avvitare il raccordo con i filetti non allineati. Ciò provocherebbe la fuoriuscita di acqua.

Collegamento del tubo per irrigazione da giardino (Fig. C-J2)

NOTA: prima di collegare il tubo per irrigazione da giardino all'idropulitrice, fare scorrere l'acqua attraverso il tubo per trenta secondi in modo da eliminare eventuali detriti dalla sua imboccatura.

1. Per collegare il tubo per irrigazione da giardino all'idropulitrice (16), avvitare il filtro (10) allo scarico dell'acqua ad alta pressione (25).
2. Collegare il tubo per irrigazione da giardino al connettore del tubo flessibile (9) allentando la vite del connettore del tubo da giardino e fissando il tubo al connettore. Collegare il tubo per irrigazione da giardino al connettore del tubo (9) avvitando il tubo da giardino al connettore.
3. Fissare il tubo per irrigazione da giardino (28) montato sul connettore al filtro (10) finché non scatta in posizione.
NOTA: dopo l'uso, scollegare sempre il tubo per irrigazione da giardino.

Collegamento degli ugelli (Fig. D)



PERICOLO: Rischio di lesioni da iniezione di liquido. Non dirigere il flusso di scarico verso persone, cute non protetta, occhi o animali. Potrebbero verificarsi gravi lesioni personali.



AVVERTENZA: eventuali oggetti scagliati in aria potrebbero causare il rischio di gravi lesioni personali. **NON** tentare di cambiare l'ugello mentre l'idropulitrice è in funzione. Spegnerne l'idropulitrice prima di cambiare l'ugello.

1. Per collegare una testina alla lancia (2), premere il pulsante della testina (3) sulla lancia e inserire la testina adatta.
2. Rilasciare il pulsante per bloccare la testina in posizione.
3. Dare uno strattone deciso alla testina per assicurarsi che sia bloccata in posizione.

Testina con getto da ventaglio a matita

Regolazione dell'apertura del getto a ventaglio (Fig. D1, D2)

L'angolo di spruzzo che fuoriesce dalla lancia può essere regolato ruotando la testina. Questo varierà il ventaglio di spruzzatura da un getto ad alto impatto stretto di circa 0° a un getto a ventaglio ampio di 60°.

Un ampio ventaglio distribuisce l'impatto dell'acqua su un'area più ampia, garantendo un'eccellente azione pulente con un rischio ridotto di danni alla superficie. Superfici ampie possono essere pulite più rapidamente utilizzando un ventaglio ampio.

Un getto a matita sottile distribuisce l'impatto dell'acqua in un'area concentrata, determinando un'elevata forza di impatto sulla superficie di pulizia. Utilizzare un getto a matita sottile per una pulizia profonda in un'area concentrata.

Tuttavia, è bene usarlo con cautela, poiché potrebbe danneggiare alcune superfici.

Fissaggio del flacone del detergente (Fig. I4)

Per collegare il flacone del detergente (11 all'impugnatura della pistola (4 , inserire la parte terminale del flacone del detergente all'interno dell'impugnatura della pistola e ruotare il flacone del detergente in senso antiorario per bloccarlo in posizione.

NOTA: la lancia e il flacone del detergente non possono essere inseriti contemporaneamente.

NOTA: il flacone del detergente deve essere posizionato sotto la canna della lancia. Non posizionare il flacone del detergente sopra la canna della pistola in plastica poiché ciò causerebbe il gocciolamento del detergente sulla canna.

Testina con getto da ventaglio a matita	Per una pulizia delicata di superfici ampie.
Testina turbo	Per la pulizia abrasiva. (Inclusa esclusivamente con il modello BEPW2000)

Funzionamento



AVVERTENZA: Per ridurre il rischio di gravi lesioni personali, spegnere l'elettrotensile e staccare la spina dalla presa di corrente prima di eseguire qualsiasi regolazione o rimozione/installazione di dotazioni o accessori. Un avvio accidentale può provocare lesioni personali.

Corretto posizionamento delle mani (Fig. E)



AVVERTENZA: per ridurre il rischio di gravi lesioni personali, tenere **SEMPRE** le mani nella posizione corretta, come illustrato.



AVVERTENZA: Per ridurre il rischio di gravi lesioni personali, mantenere **SEMPRE** una presa sicura allo scopo di prevenire reazioni improvvise.

La posizione corretta delle mani richiede una mano sulla manopola della pistola 5 e l'altra mano sull'impugnatura della pistola (4 .

Idropulizia

Preparazione della superficie per la pulizia

- Rimuovere oggetti dall'area che potrebbero creare un pericolo come giocattoli o mobili da esterno.
- Assicurarsi che tutte le porte e le finestre siano chiuse ermeticamente.
- Proteggere tutte le piante e gli alberi presenti nell'area adiacente con un telo antigoccia assicurandosi che non siano danneggiati da un'eccessiva nebulizzazione.
- Pre-risciacquare la superficie da pulire con acqua pulita.
- Utilizzare esclusivamente detergenti formulati per idropulitrici.

- Testare sempre il detergente in un'area poco appariscente prima dell'uso.

Preparazione dell'idropulitrice per l'uso (Fig. J1, J2, J3, J4)



PERICOLO: Rischio di lacerazione e lesioni da iniezione di liquido. Quando si utilizza l'impostazione ad alta pressione, NON permettere che il getto ad alta pressione venga a contatto con la cute non protetta, con gli occhi o con animali. Potrebbero verificarsi gravi lesioni personali.



ATTENZIONE: Prima dell'uso:

1. Collegare il tubo per irrigazione da giardino a una rete idrica. L'acqua può essere prelevata da un rubinetto o da un'altra fonte d'acqua. Consultare **Autoadescamento** in Preparazione dell'idropulitrice per l'uso.
2. Collegare il tubo flessibile ad alta pressione all'idropulitrice e all'impugnatura della pistola. Per istruzioni su come collegare il tubo flessibile ad alta pressione all'idropulitrice e all'impugnatura della pistola, consultare **Fissaggio del tubo flessibile ad alta pressione** in Assemblaggio e regolazioni.
3. Collegare il tubo per irrigazione da giardino all'idropulitrice. Per le indicazioni su come collegare l'idropulitrice alla fonte di alimentazione idrica, consultare il paragrafo **Collegamento del tubo per irrigazione da giardino** nella sezione dedicata a Assemblaggio e regolazioni.
4. Inserire il cavo di alimentazione in una presa di alimentazione adeguata.

Preparazione dell'impugnatura della pistola

IMPORTANTE: prima di accendere l'idropulitrice, disinserire il blocco del grilletto (6 e premere il grilletto (7 .

1. Disinserire il blocco del grilletto di azionamento (6).
2. Premere il grilletto di azionamento (7). Tenere premuto il grilletto per 30 secondi per eliminare l'aria dal sistema.
3. Se è ancora presente aria nel getto d'acqua, continuare a far scorrere l'acqua attraverso l'impugnatura della pistola.

Collegamento idrico



AVVERTENZA: Ai sensi delle norme vigenti, l'apparecchio non deve mai essere collegato a una rete dell'acqua potabile senza un disconnettore. Utilizzare un disconnettore idraulico di tipo BA conforme alla norma IEC 61770.

L'acqua che passa attraverso il disconnettore non è più acqua potabile.

- Rispettare le normative della propria azienda di approvvigionamento idrico.
- Tutti i tubi di collegamento devono essere dotati di giunti adeguatamente sigillati.



- Assicurarsi che il tubo di alimentazione abbia un diametro di almeno 12,7 mm e sia rinforzato.
- L'apparecchio non deve mai essere utilizzato sulla fornitura dell'acqua potabile senza una valvola di non ritorno. L'acqua che è passata attraverso la valvola di non ritorno è considerata non potabile.

Pulizia di una superficie

1. Per avviare l'idropulitrice, ruotare la manopola di accensione/spegnimento (17) in posizione ON.
2. Verificare che il rubinetto dell'acqua sia aperto o utilizzare qualsiasi altra fonte d'acqua in modo che venga fornita acqua al corpo dell'idropulitrice.
3. L'angolo di inclinazione più indicato per spruzzare l'acqua contro una superficie da pulire è 45°.
 - La testina tende a far sì che le particelle di sporco si incastrino nella superficie.
 - Quando si lavora su superfici verticali, è meglio applicare il detergente procedendo dal basso verso l'alto, in modo da evitare che il detergente scivoli verso il basso e provochi la formazione di striature.
4. Per disinserire l'impugnatura della pistola, rilasciare il grilletto.

NOTA: un'eccessiva pressione della pompa può essere il risultato di una testina ostruita. Prima di tentare di rimuovere un'ostruzione da una testina, spegnere sempre l'idropulitrice e scollegare l'unità.

Detergenti (Fig. I1, I2, I3, I4)

Per i passaggi su come fissare il flacone del detergente/ sapone, consultare **Fissaggio del flacone del detergente** in Assemblaggio e regolazioni.

L'utilizzo di detergenti può ridurre drasticamente i tempi di pulizia e favorire la rimozione di macchie difficili. Alcuni detergenti sono stati personalizzati per l'uso dell'idropulitrice in attività di pulizia specifiche.

Il potere pulente dei detergenti deriva dalla loro applicazione su una superficie e dando ai prodotti chimici il tempo di abbattere lo sporco e la sporcizia. I detergenti funzionano meglio se applicati a bassa pressione.

La combinazione di azione chimica e risciacquo ad alta pressione è molto efficace.

Sulle superfici verticali, applicare il detergente partendo dal basso e procedendo verso l'alto. Questo impedisce al detergente di scivolare verso il basso e causare aloni. Anche il risciacquo ad alta pressione dovrebbe procedere dal basso verso l'alto. Sulle macchie particolarmente ostinate, potrebbe essere necessario utilizzare una spazzola in combinazione con detersivi e risciacquo ad alta pressione.

Spostamento dell'idropulitrice

1. Spegnere l'idropulitrice (16) ruotando la manopola di accensione/spegnimento (17) in posizione OFF e quindi disattivare l'erogazione dell'acqua.

2. Puntare la lancia (2) in una direzione sicura e tirare il grilletto (7) per rilasciare la pressione dell'acqua residua.
3. Quando la lancia è completamente vuota, sollevare l'idropulitrice per il manico (18).

Spegnimento

1. Spegnere l'idropulitrice (16) ruotando la manopola di accensione/spegnimento (17) in posizione OFF e scollegare il cavo dalla presa.
2. Spegnere l'acqua dal rubinetto o scollegarlo da qualsiasi altra fonte d'acqua.
3. Scaricare la pressione residua premendo il grilletto di azionamento (7) fino a quando non uscirà più acqua dalla lancia (2).
4. Inserire il blocco del grilletto della pistola (6).
5. Scollegare il tubo per l'irrigazione da giardino (28) dalla presa d'acqua (25).
6. Scollegare il tubo flessibile ad alta pressione (1) dallo scarico dell'acqua ad alta pressione (20) e dal tubo di scarico.

Autoadescamento

1. Collegare il tubo di ingresso all'idropulitrice. Consultare **Fissaggio del tubo per irrigazione da giardino** in Assemblaggio e regolazioni.
2. Posizionare l'estremità libera del tubo flessibile con il filtro attaccato nella fonte d'acqua alternativa (es. secchio, ecc.)
3. Collegare il tubo flessibile ad alta pressione all'impugnatura della pistola. Consultare **Fissaggio del tubo flessibile ad alta pressione** in Assemblaggio e regolazioni.
4. Inserire il corpo dell'idropulitrice in una sorgente di alimentazione.
5. Azionare l'idropulitrice ruotando la manopola di accensione/spegnimento in posizione ON.
6. Spegnere l'idropulitrice non appena l'acqua fuoriesce dal tubo di uscita dell'unità.
7. Disinserire il corpo dell'idropulitrice dalla sorgente di alimentazione.
8. Assemblare il tubo flessibile ad alta pressione al tubo di uscita della pompa.
9. Inserire il corpo dell'idropulitrice in una sorgente di alimentazione.
10. Azionare l'idropulitrice ruotando la manopola di accensione/spegnimento in posizione ON.
11. Azionare il grilletto dell'impugnatura della pistola per iniziare il lavoro di pulizia.

Manutenzione

Questo elettrotensile BLACK+DECKER è stato progettato per funzionare a lungo con una manutenzione minima. Prestazioni sempre soddisfacenti dipendono da una cura appropriata e da una pulizia regolare.



Avvertenza! Prima di eseguire interventi di manutenzione sull'elettrotensile.

- Le prese di ventilazione dell'elettrotensile devono essere pulite regolarmente con un pennello morbido o un panno asciutto.
- L'alloggiamento del motore deve essere pulito periodicamente con un panno umido. Non usare detergenti abrasivi o a base di solventi.

Pulizia

Pulizia della testina (Fig. A, G)

Se la testina dovesse intasarsi per via di corpi estranei, come la sporcizia, si potrebbe sviluppare una pressione eccessiva. Se la testina dovesse ostruirsi o restringersi parzialmente, la pressione della pompa inizierà a pulsare. Pulisci immediatamente la testina utilizzando il detergente per testine.

- Spegnere e scollegare l'idropulitrice (16).
- Disattivare l'erogazione dell'acqua.
- Premere il grilletto di azionamento (7) sull'impugnatura della pistola (4) per scaricare la pressione dell'acqua.
- Rimuovere la testina dalla lancia (2) premendo il pulsante (3).
- Utilizzando lo strumento di pulizia della testina (14), rimuovere eventuali detriti dalla testina.
- Fare scorrere dell'acqua attraverso la testina prelevandola da un rubinetto o dal tubo per irrigazione da giardino.

Pulizia del filtro (Fig. K)

Ispezionare il filtro (10) prima di ciascun utilizzo e pulire se necessario. Rimuovere l'elemento del filtro e farlo scorrere sotto l'acqua pulita per rimuovere eventuali detriti.

Conservazione

- Conservare in un luogo asciutto e coperto a una temperatura superiore allo zero. **CONSERVARE AL CHIUSO.**
- Svuotare sempre completamente l'acqua dal tubo flessibile ad alta pressione, dall'idropulitrice, dalle testine e dalla lancia.
- Le testine possono essere riposte nell'unità come indicato in Fig. H. **NOTA:** le testine turbo (BEPW2000) o con getto da matita a ventaglio possono essere riposte nella lancia.
- Il cavo di alimentazione può essere riposto arrotolato e fissato con il gancio di fissaggio del cavo (21) come mostrato in Fig. I.
- Il tubo flessibile ad alta pressione (1) può essere riposto arrotolato e fissato sull'impugnatura (18) con l'aiuto del gancio e della cinghia di chiusura (27) come indicato in Fig. I.
- La lancia (4) può essere riposta sulla parte posteriore dell'unità utilizzando la staffa (26) come indicato in Fig. I.

- La lancia (2) può essere riposta sul retro dell'unità utilizzando la staffa (26) come indicato in Fig. I.

Sostituzione della spina (solo Regno Unito e Irlanda)

Se dovesse essere necessario installare una nuova spina:

- smaltire in tutta sicurezza quella vecchia;
- collegare il conduttore marrone al terminale sotto tensione nella nuova spina;
- collegare il conduttore blu al terminale neutro.



Avvertenza! Non effettuare alcun collegamento al terminale di messa a terra. Seguire le istruzioni di montaggio fornite con le spine di buona qualità. Fusibile raccomandato: 13 A.

Tutela ambientale



Raccolta differenziata. I prodotti e le batterie contrassegnati con questo simbolo non devono essere smaltiti con i rifiuti domestici normali.

Prodotti e batterie contengono materiali che possono essere recuperati o riciclati, riducendo la richiesta di materie prime. Riciclare i prodotti elettrici e le batterie attenendosi alle disposizioni vigenti a livello locale. Ulteriori informazioni sono disponibili all'indirizzo

www.2helpU.com

Dati tecnici

	BEPW1300	BEPW1300L	BEPW1650	BEPW1700	BEPW2000
Tipo	1	1	1	1	1
Alimentazione	1300 W <small>230V/50Hz</small>	1300W _{max} <small>230V/50Hz</small>	1650W _{max} <small>230V/50Hz</small>	1700 W _{max} <small>230V/50Hz</small>	2000 W _{max} <small>230V/50Hz</small>
Portata nominale	5,2 L/min	5,2 L/min	5,5 L/min	5,5 L/min	5,8 L/min
Portata max.	6,6 L/min	6,6 L/min	6,8 L/min	6,8 L/min	7,5 L/min
Pressione nominale (Bar/PSI/MPa)	74 / 1073 / 7,4	74 / 1073 / 7,4	80 / 1160 / 8	83,5 / 1211 / 8,35	105 / 1523 / 10,5
Pressione max (Bar/PSI/MPa)	110 / 1600 / 11	110 / 1600 / 11	120 / 1740 / 12	125 / 1810 / 12,5	150 / 2175 / 15
Temp acqua	50° C	50 ° C	50 ° C	50° C	50° C
Alimentazione acqua	Acqua pulita fredda	Acqua pulita fredda	Acqua pulita fredda	Acqua pulita fredda	Acqua pulita fredda
Livello di potenza sonora garanzia L _{WA} (dB(A))	92	92	91	91	93
Pressione di ingresso massima MPa	1,0	1,0	1,0	1,0	1,0
Protezione del motore	IPX5	IPX5	IPX5	IPX5	IPX5
Tipo di motore	Con spazzola	Con spazzola	Con spazzola	Con spazzola	Con spazzola
Pompa	Alluminio	Alluminio	Alluminio	Alluminio	Alluminio
Autoarresto	SI	SI	SI	SI	SI
Lunghezza del tubo	3M	3M*	3M*	6M	6M
Filtro integrato	SI	SI	SI	SI	SI

	BEPW1300	BEPW1300L	BEPW1650	BEPW1700	BEPW2000
Peso	4,9 KG	5,3 KG	5,3 KG	6,3 KG	8,2 KG
Forza repulsiva della pistola alla pressione massima	21N	21N	21N	21N	21N

*PA/KI/KIT = 6M

Dati di test N&V:

BEPW1300:

Livello di pressione sonora di emissione L_{PA} : 77,0 dB(A);

$K=3,0$ dB(A)

Livello di potenza sonora misurata: L_{WA} : 89,0 dB(A); $K=2,8$ dB(A)

Valore di emissione di vibrazione ah: inferiore a 2,5 m/s²;

$K=0,6$ m/s²

BEPW1300L:

Livello di pressione sonora di emissione L_{PA} : 77,0 dB(A);

$K=3,0$ dB(A)

Livello di potenza sonora misurata: L_{WA} : 89,0 dB(A); $K=2,8$ dB(A)

Valore di emissione di vibrazione ah: inferiore a 2,5 m/s²;

$K=0,6$ m/s²

BEPW1650:

Livello di pressione sonora di emissione L_{PA} : 75 dB(A); $K= 3$ dB(A)

Livello di potenza sonora misurata: L_{WA} : 88 dB(A); $K= 2,2$ dB(A)

Valore di emissione delle vibrazioni ah: inferiore a 2,5m/s²; $K= 0,5$ m/s²

BEPW1700:

Livello di pressione sonora di emissione L_{PA} : 75 dB(A); $K= 3$ dB(A)

Livello di potenza sonora misurata: L_{WA} : 88 dB(A); $K= 2,2$ dB(A)

Valore di emissione delle vibrazioni ah: inferiore a 2,5m/s²; $K= 0,5$ m/s²

BEPW2000:

Livello di pressione sonora di emissione L_{PA} : 78 dB(A); $K=3,0$ dB(A)

Livello di potenza sonora misurata: L_{WA} : 91,0 dB(A); $K=1,4$ dB(A)

Valore di emissione di vibrazione ah: inferiore a 2,5 m/s²;

$K=0,6$ m/s²

Dichiarazione CE di conformità

DIRETTIVA MACCHINE

DIRETTIVA SULLA RUMOROSITÀ ESTERNA



BEPW1300, BEPW1300L, BEPW1650, BEPW1700,
BEPW2000 Idropulitrice

Black & Decker dichiara che i prodotti descritti nella sezione "Dati tecnici" sono conformi alle seguenti norme:

2006/42/CE, EN 60335-1:2012+A11:2014+A13:2017+A1:2019
+A14:2019+A2:2019+A15:2021, EN60335-2-79:2012.

2000/14/CE, Allegato V

BEPW1300:

Livello di potenza sonora misurata: L_{WA} : 89,0 dB(A); $K=2,8$ dB(A)

Livello di potenza sonora garantita L_{WA} : 92 dB(A)

BEPW1300L:

Livello di potenza sonora misurata: L_{WA} : 89,0 dB(A); $K=2,8$ dB(A)

Livello di potenza sonora garantita L_{WA} : 92 dB(A)

BEPW1650:

Livello di potenza sonora misurata: L_{WA} : 88 dB(A); $K= 2,2$ dB(A)

Livello di potenza sonora garantita L_{WA} : 91 dB(A)

BEPW1700:

Livello di potenza sonora misurata: L_{WA} : 88 dB(A); $K= 2,2$ dB(A)

Livello di potenza sonora garantita L_{WA} : 91 dB(A)

BEPW2000:

Livello di potenza sonora misurata: L_{WA} : 91,0 dB(A); $K=1,4$ dB(A)

Livello di potenza sonora garantita L_{WA} : 93 dB(A)

Questi prodotti sono conformi alla Direttive 2014/30/UE e 2011/65/UE.

Per ulteriori informazioni, contattare Black & Decker all'indirizzo indicato di seguito oppure consultare l'ultima di copertina del manuale.

Il sottoscritto è responsabile della redazione del presente documento tecnico e rilascia questa dichiarazione per conto di Black & Decker.

Patrick Diepenbach

Patrick Diepenbach
General Manager, Benelux
Black and Decker,
Egide Walschaertsstraat 14-18
2800 Mechelen, Belgio
27/04/2023

Garanzia

Black & Decker, certa della qualità dei propri prodotti, offre ai consumatori una garanzia di 24 mesi dalla data di acquisto.

Il presente certificato di garanzia è complementare ai diritti legali e non li pregiudica in alcun modo.

La garanzia è valida nei territori del Regno Unito, degli Stati membri dell'Unione Europea e dell'EFTA (Associazione europea di libero scambio).

Per attivare la garanzia, il reclamo deve essere effettuato in accordo con i Termini e Condizioni Black&Decker e sarà necessario presentare la prova di acquisto al venditore o all'agente di riparazione autorizzato.

I Termini e condizioni della garanzia Black & Decker di 2 anni e la sede del tecnico riparatore autorizzato più vicino sono consultabili su Internet all'indirizzo www.2helpU.com, o contattando l'ufficio Black & Decker di zona all'indirizzo indicato in questo manuale.

Visitare il nostro sito www.blackanddecker.it per registrare il prodotto Black&Decker appena acquistato e ricevere aggiornamenti su nuovi prodotti e offerte speciali.

Bedoeld gebruik

Uw BLACK+DECKER T-hogedrukreiniger is ontworpen voor huishoudelijk gebruik, voor het reinigen van boten, auto's, terrassen, opritten, roosters, muren van huizen, motorfietsen, patio's en buitenmeubilair.

Laat kinderen niet met het gereedschap in contact komen. Toezicht is vereist als onervaren gebruikers dit gereedschap bedienen. Dit gereedschap is uitsluitend bestemd voor consumentengebruik.

Veiligheidsinstructies

BELANGRIJKE VEILIGHEIDSINSTRUCTIES



WAARSCHUWING: Wanneer u deze hogedrukreiniger gebruikt, moet u de elementaire voorzorgsmaatregelen altijd opvolgen, inclusief de volgende:

- ♦ Als het netsnoer is beschadigd, moet dit worden vervangen door de fabrikant of een BLACK+DECKER-servicecentrum, zodat gevaarlijke situaties worden voorkomen.
- ♦ Het is niet de bedoeling dat deze machine wordt gebruikt door personen (waaronder kinderen) met verminderde fysieke, zintuiglijke en psychische vermogens, of met een gebrek aan ervaring of kennis.
- ♦ Kinderen moeten onder toezicht staan, om te verzekeren dat ze niet met het apparaat spelen.
- ♦ Lees alle instructies voordat u het product gebruikt.
- ♦ Beperk het risico op letsel, houd streng toezicht wanneer een product wordt gebruikt in de nabijheid van kinderen.
- ♦ Zorg ervoor dat u weet hoe u het product kunt uitzetten en snel de druk kunt laten ontsnappen. Zorg ervoor dat u door en door bekend bent met de bedieningsfuncties.
- ♦ Blijf alert – let goed op wat u doet.
- ♦ Werk niet met het product wanneer je moe bent of onder invloed van alcohol of drugs.
- ♦ Houd het werkterrein vrij van personen en dieren.
- ♦ Rek u niet buiten de macht en ga niet op een wankele verhoging staan. Blijf altijd stevig en in balans op beide voeten staan.
- ♦ Voor de onderhoudsinstructies die in de handleiding worden vermeld.
- ♦ De aansluiting op de stroomvoorziening moet door een gekwalificeerde elektricien worden uitgevoerd en moet voldoen aan IEC 60364-1. Het wordt aanbevolen dat de stroomvoorziening naar deze machine een aardlekschakelaar bevat, die de stroomvoorziening onderbreekt als er een lekstroom van meer dan 30 mA is gedurende 30 ms of een toestel dat zal zorgen voor een geschikte aarding.
- ♦ Tijdens het in gebruik nemen, veilig bedienen, hanteren, transporteren en opslaan van de machine, rekening houdend met het gewicht.



WAARSCHUWING: Risico op inspuiting of letsel - richt de straal niet op personen of dieren.



WAARSCHUWING: Lees deze volledige handleiding voordat u probeert om het product te monteren, bedienen of installeren.



WAARSCHUWING: Deze unit is ontworpen voor bepaalde toepassingen. Er mogen geen wijzigingen in de unit worden aangebracht en/of de unit mag niet worden gebruikt voor een andere toepassing dan waarvoor deze is ontworpen.

KENNISGEVING: Berg uw hogedrukreiniger altijd op een plaats op waar de temperatuur niet lager wordt dan 4 °C (40 °F). Schade door bevrozing wordt niet gedekt door de garantie.

1. Raak de stekker en het stopcontact niet aan met natte handen.
2. **Voorkom per ongeluk inschakelen.** Zet de schakelaar op de unit in de stand OFF voor u de stekker van het snoer aansluit op een stopcontact of de stekker uit het stopcontact trekt.
3. U mag de waterstraal nooit richten op elektrische bedrading of direct op de hogedrukspuit zelf om dat dan een zeer gevaarlijke elektrische schok kan optreden.
4. **Draag de hogedrukspuit nooit aan het snoer.** Geef nooit een ruk aan het snoer wanneer u de stekker uit het stopcontact wilt trekken.
5. Voorkom beschadiging, het snoer mag nooit worden platgedrukt, bij scherpe voorwerpen of een warmtebron worden geplaatst.
6. **Controleer snoeren van de stroomvoorziening voordat u ze gebruikt.** Beschadigde snoeren kunnen de prestaties van de hogedrukreiniger verminderen en kunnen een zeer gevaarlijke elektrische schok veroorzaken
7. **De scherpe, felle waterstraal is zeer krachtig.** U kunt deze beter niet gebruiken op geverfde oppervlakken, houten oppervlakken of op items met een gelijmde steunlaag.
8. Houd het werkterrein vrij van personen en dieren.
9. Gebruik altijd beide handen wanneer u met de hogedrukreiniger werkt zodat u de volledige controle over de lans behoudt.
10. **Raak de spuitmond of de waterstraal niet aan tijdens het werken.** Plaats nooit uw handen voor de spuitmond.
11. **Draag een veiligheidsbril wanneer u aan het werk bent.** Draag beschermende kleding en schoenen zodat u beschermd bent tegen de waterstraal.
12. Trek de stekker uit het stopcontact wanneer u de hogedrukreiniger niet gebruikt en voor u de hogedrukslang loskoppelt.
13. **Leg nooit een knoop of een scherpe knik in de hogedrukslang omdat dat materiële schade tot gevolg kan hebben. Inspecteer de hogedrukslang regelmatig.**
Vervang de slang onmiddellijk als deze beschadigd, versleten is of als de slang tekenen vertoont van scheuren, bellen, kleine gaten of andere lekkage.
Pak nooit de hogedrukslang vast als deze lekt of beschadigd is.
14. **Gebruik of bewaar dit product niet bij temperaturen lager dan 4 °C (40 °F).** Beschadiging door bevrozen wordt niet gedekt door de garantie.
15. **Neem nauwgezet alle instructies en waarschuwingen over het gebruik van chemische stoffen in acht voor u de hogedrukreiniger in gebruik neemt. Gebruik uitsluitend schoonmaakmiddelen die goedgekeurd zijn voor hogedrukreinigers. Gebruik niet een bleekmiddel, chloorhoudend middel of schoonmaakmiddelen die zuren bevatten. Volg altijd de aanbevelingen die de fabrikant op het etiket vermeld, voor het juiste gebruik van schoonmaakmiddelen.** Bescherm altijd ogen uit en de luchtwegen tegen schoonmaakmiddelen.
16. **De hogedrukreiniger mag niet worden gebruikt op plaatsen waar gasdampen aanwezig kunnen zijn.** Een elektrische vonk zou een explosie of brand kunnen veroorzaken.
17. Beperk de hoeveelheid water die in de hogedrukreiniger komt zoveel mogelijk, plaats de unit tijdens het werken zo ver mogelijk van de schoonmaaklocatie vandaan.
18. Voorkom onbedoelde werking van de hogedrukreiniger, zet de hogedruklans altijd vast met de aan/uit-schakelaar vergrendeld wanneer u de unit niet gebruikt.
19. Zorg voor een vrije luchtcirculatie, bedek de hogedrukreiniger NIET tijdens het werken.
20. **Raak de felle waterstraal of een waterlek in de slang van de hogedrukreiniger niet aan, probeer niet de waterstraal tegen te houden of af te dekken.** De straal van het water staat onder hoge druk en kan uw huid doorboren.
21. **Gebruik alleen slangen en accessoires die geschikt zijn voor een druk die hoger is dan de PSI / Bar van de hogedrukreiniger.** Gebruik de hogedrukreiniger nooit met accessoires of componenten van een andere fabrikant.
22. Schakel nooit de veiligheidsvoorzieningen van dit product uit.
23. Werk nooit met de machine wanneer onderdelen ontbreken, kapot zijn of niet zijn goedgekeurd.
24. Spuit nooit brandbare vloeistoffen en gebruik de hogedrukreiniger nooit op plaatsen waar brandbare stof, brandbare vloeistof of brandbare dampen zijn.



WAARSCHUWING: Deze machine is ontworpen voor gebruik met het schoonmaakmiddel dat wordt geleverd of wordt aanbevolen door de fabrikant. Het gebruik van andere schoonmaakmiddelen of chemicaliën kunnen de veiligheid van de machine nadelig beïnvloeden.



WAARSCHUWING: Tijdens het gebruik van hogedrukreiniger kunnen zich aerosolen vormen. Inademing van aerosolen kan gevaarlijk zijn voor de gezondheid.



WAARSCHUWING: Waterstralen onder hoge druk kunnen gevaarlijk zijn als zij verkeerd worden gebruikt. De waterstraal mag niet worden gericht op personen, elektrische apparatuur onder spanning of op de machine zelf.



WAARSCHUWING: Gebruikt de machine niet wanneer er zich personen binnen het bereik bevinden, tenzij ze beschermende kleding dragen.



WAARSCHUWING: Richt de waterstraal niet op uzelf of op anderen om kleding of schoeisel te reinigen.



WAARSCHUWING: Risico op explosie - Sproei geen brandbare vloeistoffen.



WAARSCHUWING: Hogedrukreinigers mogen niet worden gebruikt door kinderen of niet opgeleid personeel.



WAARSCHUWING: Hogedrukslangen, appendages en koppelingen zijn belangrijk voor de veiligheid van de machine. Gebruik uitsluitend slangen, appendages en koppelingen die worden aanbevolen door de fabrikant.



WAARSCHUWING: Gebruik uitsluitend originele reserveonderdelen van de fabrikant of onderdelen die zijn goedgekeurd door de fabrikant, om de veiligheid van de machine te verzekeren.



WAARSCHUWING: Water dat door de terugstroombeveiligingen is gestroomd, wordt beschouwd als niet geschikt voor menselijke consumptie.



WAARSCHUWING: wanneer u de machine schoonmaakt of naziet en wanneer u onderdelen vervangt, moet de machine worden losgekoppeld van de stroomvoorziening.



WAARSCHUWING: Gebruik de machine niet als een snoer of belangrijke onderdelen van de machine beschadigd zijn, bijv. veiligheidsvoorzieningen, de hogedrukslang, het spuitpistool.



WAARSCHUWING: Ongeschikte verlengsnoeren kunnen gevaarlijk zijn. Als u een verlengsnoer gebruikt, moet het geschikt zijn voor gebruik buitenshuis en de aansluiting moet droog en los van de grond worden gehouden.

Het wordt aanbevolen om dit te bewerkstelligen door middel van een snoerhaspel die de elektrische aansluiting ten minste 60 mm boven de grond houdt.



WAARSCHUWING: Zet de hoofdschakelaar altijd uit wanneer u de machine onbeheerd achterlaat.



WAARSCHUWING: Afhankelijk van de toepassing kunnen afgeschermdde spuitmonden worden gebruikt voor hogedrukreiniging, omdat dan de uitstoot van waterhoudende aerosolen aanzienlijk wordt beperkt. Maar dergelijke hulpstukken zijn niet voor alle toepassingen toegestaan. Als afgeschermdde spuitmonden niet van toepassing zijn voor de bescherming tegen aerosolen, kan een ademhalingsmasker van klasse FFP 2 of gelijkwaardig nodig zijn, afhankelijk van de reinigingslocatie.

Veiligheid van anderen

- Dit gereedschap mag niet worden gebruikt door personen (waaronder kinderen) die lichamelijk of geestelijk mindervalide zijn of die geen ervaring met of kennis van dit gereedschap hebben, tenzij ze onder toezicht staan of instructies krijgen over het gebruik van het gereedschap van een persoon die verantwoordelijk is voor hun veiligheid.
- Kinderen moeten onder toezicht staan, om te verzekeren dat ze niet met het apparaat spelen.

Trillingen

De aangegeven waarden voor trillingsemisatie in de technische gegevens en de Conformiteitsverklaring, zijn gemeten volgens een standaardtestmethode die door EN60335-2-79 wordt verstrekt. Hiermee kan het ene gereedschap met het andere worden vergeleken. De aangegeven waarde voor trillingsemisatie kan ook worden gebruikt bij een voorlopige bepaling van blootstelling.



WAARSCHUWING: De waarde voor trillingsemisatie tijdens het gebruik van de hogedrukreiniger kan verschillen van de aangegeven waarde, afhankelijk van de manieren waarop het gereedschap wordt gebruikt. Het trillingsniveau kan toenemen tot boven het aangegeven niveau.

Bij beoordeling van de blootstelling aan trillingen met het doel vast te stellen welke veiligheidsmaatregelen 2002/44/EG vereist ter bescherming van personen die tijdens hun werk regelmatig elektrisch gereedschap gebruiken, moet bij een inschatting van de blootstelling aan trillingen rekening worden gehouden met de werkelijke gebruiksomstandigheden en de manier waarop het gereedschap wordt gebruikt. Daarbij moet ook rekening worden gehouden met alle onderdelen van de bedrijfsscyclus, zoals wanneer het gereedschap wordt uitgeschakeld en wanneer het gereedschap stationair loopt en ook de aanlooptijd.

Etiketten op het gereedschap

Behalve van de datumcode is het gereedschap voorzien van de volgende symbolen:



Waarschuwing! De gebruiker moet de instructiehandleiding lezen zodat het risico op letsel wordt beperkt.



Draag oogbescherming.



Draag gehoorbescherming.



De machine is niet geschikt voor aansluiting op de drinkwatervoorziening.



Richtlijn 2000/14/EC inzake gegarandeerd geluidsvermogen.
BEPW1300



Richtlijn 2000/14/EC inzake gegarandeerd geluidsvermogen.
BEPW1300L



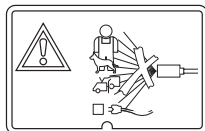
Richtlijn 2000/14/EC inzake gegarandeerd geluidsvermogen.
BEPW1650



Richtlijn 2000/14/EC inzake gegarandeerd geluidsvermogen.
BEPW1700



Richtlijn 2000/14/EC inzake gegarandeerd geluidsvermogen.
BEPW2000



Richt nooit de waterstraal mensen, dieren, de hogedrukreiniger of elektrische componenten

Elektrische veiligheid



Dit gereedschap is dubbel geïsoleerd, daarom is een aardeaansluiting niet nodig. Controleer altijd dat de stroomvoorziening overeenkomt met de spanning op het typeplaatje.

Spanningsval (alleen voor BEPW2000)

Tijdens de stroomtoevoer kan zich soms een korte daling voordoen. Wanneer de stroomvoorziening niet optimaal is, kan dit invloed hebben op andere apparatuur. Als de systeemimpedantie van de netvoeding lager is dan 0,378 Ω, zullen er waarschijnlijk geen storingen optreden.

Kenmerken

1. Hogedrukslang
2. Hogedrukklans
3. Knop van spuitmond
4. Sproeihendel
5. Handgreep sproeihendel
6. Aan/Uit-schakelaar / vergrendeling in de uit- stand
7. Aan/uit-schakelaar
8. Sproeiwaaier naar fijne spuitmond
9. Slangaansluiting
10. Filter
11. Zeepfles
12. Zeepfles-applicator
13. Slangaansluitknop
14. Reinigingsgereedschap spuitmond
15. Turbospuitmond (BEPW2000)
16. Hogedrukreiniger
17. AAN/UIT-schakelaar
18. Hendel
19. Intrekbare hendel (BEPW1700, BEPW2000)
20. Uitgang water onder hoge druk
21. Snoerhaak
22. Aansluitsnoer

Montage en afstellingen



WAARSCHUWING: Verzeker, vóór het proberen uitvoeren van de volgende handelingen, dat het gereedschap is uitgeschakeld en de stekker uit het stopcontact is getrokken.

De sproeihendel bevestigen (Afb. A)

1. Sluit de sproeihendel (4) aan op de hogedrukklans (2) door het uiteinde van de sproeihendel in het uiteinde van de hogedrukklans te steken.
2. Druk en draai de sproeihendel naar links zodat deze op z'n plaats wordt vergrendeld.

De hogedrukslang bevestigen (Afb. B)

KENNISGEVING: Probeer nooit de hogedrukreiniger te verplaatsen door aan de hogedrukslang of aan de slang van de watertoevoer te trekken. Zo zou u de slang en/of de inlaat en/of uitlaat van de pomp kunnen beschadigen.

1. Druk wanneer u de hogedrukslang (1) op de sproeiendel (4) wilt vastmaken, de knop voor aansluiting van de slang (13) in terwijl u het uiteinde van de slang (23) in de sproeiendel klikt. Laat de knop voor aansluiting van de slang los wanneer het uiteinde van de slang op z'n plaats is vastgeklekt.
2. Schroef, wanneer u de hogedrukslang op de hogedrukreiniger (16) wilt bevestigen, de kraag van de slang (24) op de hogedruk-wateruitlaat (20).
OPMERKING: De rol de hogedrukslang uit voordat u deze installeert, zodat knikken in de slang worden voorkomen.
OPMERKING: Draai de slang goed op de schroefdraad van de aansluiting. Kruislings draaien zal lekken veroorzaken.

De tuinslang bevestigen (Afb. C-J2)

OPMERKING: Laat, voor u de tuinslang op de hogedrukreiniger aansluit, dertig seconden lang water door de tuinslang lopen zodat eventueel aanwezig vuil uit de tuinslang wordt verwijderd.

1. Schroef, wanneer u de tuinslang op de hogedrukreiniger (16) wilt bevestigen, de filter (10) op de waterinlaat (25).
2. Sluit de tuinslang aan op de slangconnector (9) door de schroef van de slangconnector los te draaien en de slang op de connector te bevestigen. Sluit de tuinslang aan op de slangconnector (9) door de tuinslang op de connector te schroeven.
3. Bevestig de tuinslang (28) die op de connector is gemonteerd op het filter (10) tot u een "klik hoort".
OPMERKING: Maak de tuinslang na gebruik altijd los.

Spuitmonden bevestigen (Afb. D)



GEVAAR: Risico op inslikken van vloeistof. Richt de straal niet op personen, onbeschermde huid, ogen of huisdieren of andere dieren. Ernstig letsel kan het gevolg zijn.



WAARSCHUWING: Rondvliegende voorwerpen kunnen ernstig letsel veroorzaken. Probeer NIET de spuitmond te wisselen wanneer de hogedrukreiniger werkt. Schakel de hogedrukreiniger uit en wissel dan pas een spuitmond.

1. Druk, wanneer u een spuitmond op de hogedruklans (2) wilt bevestigen, de knop van de spuitmond (3) op de hogedruklans in en steek een geschikte spuitmond in de lans.
2. Laat de knop los zodat de spuitmond op z'n plaats wordt vergrendeld.
3. Trek stevig aan de spuitmond zodat u zeker weet dat deze op z'n plaats is vergrendeld.

Sproeiwaaier naar fijne spuitmond

Het sproeipatroon aanpassen (Afb. D1, D2)

U kunt de hoek waaronder het water uit de hogedruklans komt, afstellen door de spuitmond te draaien. Zo verandert u het sproeipatroon van ongeveer een smalle straal van 0 ° met grote kracht tot een breed waaiersproeipatroon van 60 °. Een breed waaiersproeipatroon verdeelt de kracht van het water over een groter gebied, en het resultaat daarvan is een uitstekende schoonmaakwerking met minder risico op beschadiging van het oppervlak. Grote oppervlakken kunnen sneller worden gereinigd met een breed waaiersproeipatroon. Een smalle straal verdeelt de kracht van het water over een geconcentreerd gebied, wat een krachtige uitwerking geeft op het te reinigen oppervlak. Gebruik een smalle fijne straal voor diepe reiniging op een geconcentreerd gebied. Gebruik dit echter met de nodige voorzichtigheid, omdat u bepaalde oppervlakken kan beschadigen.

De zeepfles bevestigen (Afb. I4)

Steek, wanneer u de zeepfles (11) op de sproeiendel (4) wilt bevestigen, het uiteinde van de zeepfles in de sproeiendel en draai de zeepfles naar links tot deze op z'n plaats wordt vergrendeld.

OPMERKING: U kunt niet de lans en de zeepfles tegelijkertijd plaatsen.

OPMERKING: U moet de zeepfles onder de loop van de sproeiendel plaatsen. Plaats de zeepfles niet boven de loop van het kunststof pistool, omdat er dan zeep op de loop zal druppelen.

Sproeiwaaier naar fijne spuitmond	Voor zachte reiniging over een breed gebied.
Turbospuitmond	Voor schurende reiniging. (Alleen inbegrepen bij het model BEPW2000he)

Werking



WAARSCHUWING: Beperk het risico op ernstig persoonlijk letsel, zet het apparaat uit en koppel het los van de voedingsbron voordat u aanpassingen doorvoert of hulpstukken of accessoires verwijderd/installeert. Een onvoorzien opstart kan letsel veroorzaken.

Juiste handpositie (Afb. E)



WAARSCHUWING: Beperk het risico op ernstig persoonlijk letsel, plaats **ALTIJD** uw handen in de juiste positie, zoals afgebeeld.



WAARSCHUWING: Beperk het risico op ernstig persoonlijk letsel, **HOUD HET** gereedschap altijd stevig vast, zodat u bent voorbereid op een plotselinge terugslag.

Voor een juiste positie van de handen zet u één hand op de handgreep van de sproeiendel (5) en de andere op de sproeiendel (4).

Hogedrukreiniging

Het oppervlak voorbereiden op reiniging

- Verwijder voorwerpen die een risico zouden kunnen vormen, zoals kinderspeelgoed of tuinmeubels, van het te reinigen oppervlak.
- Controleer dat alle deuren en ramen goed gesloten zijn.
- Bescherm alle planten en bomen in de nabijheid met een afdekzeil, zodat zij niet beschadigd kunnen raken door het water onder druk.
- Spoel het te reinigen gebied met schoon water.
- Gebruik alleen schoonmaakmiddelen die bedoeld zijn voor hogedrukreinigers.
- Probeer een schoonmaakmiddel altijd voor gebruik op een onopvallende plek uit.

De hogedrukreiniger voorbereiden voor gebruik (Afb. J1, J2, J3, J4)



GEVAAR: Risico op inslikken van vloeistof en verwondingen. Wanneer u de hogedrukstand gebruikt, laat de waterstraal onder hoge druk dan NIET in aanraking komen met onbedekte huid, ogen, of met huisdieren of andere dieren. Ernstig letsel kan het gevolg zijn.



LET OP: Voor ingebruikneming:

1. Sluit de tuinslang aan op de waterleiding. U kunt water gebruiken uit een kraan of een andere watervoorziening. Raadpleeg **Zelf voorbereiden** onder Hogedrukreiniger voorbereiden voor gebruik.
2. Sluit de hogedrukslang aan op de hogedrukreiniger en de sproeiendel. Raadpleeg voor instructies voor het aansluiten van de hogedrukslang op de hogedrukreiniger en sproeiendel, **de hogedrukslang bevestigen** onder Montage en aanpassingen.
3. Sluit de tuinslang aan op de hogedrukreiniger. Raadpleeg, voor instructies voor het aansluiten van de watertoevoer op de hogedrukreiniger, **De tuinslang aansluiten** onder Montage en aanpassingen.
4. Steek de stekker van het netsnoer in een geschikt stopcontact.

De sproeiendel klaarmaken voor gebruik

BELANGRIJK: Hef, voordat u de hogedrukreiniger inschakelt, de vergrendeling van de aan/uit-schakelaar (6) op en knijp de aan/uit-schakelaar (7) in.

1. Hef de vergrendeling (6) van de aan/uit-schakelaar in de uit-stand.

2. Knijp de aan/uit-schakelaar (7) in. Houd de schakelaar 30 seconden ingedrukt zodat lucht uit het systeem kan ontsnappen.
3. Zit er nog lucht in de waterstroom, laat dan nog meer water door de sproeiendel stromen.

Wateraansluiting



WAARSCHUWING: Van toepassing zijnde regelgeving bepaalt dat het apparaat nooit mag worden gebruikt op een waterleiding netwerk zonder een systeemscheider (terugslagklep). Gebruik een systeemscheider die voldoet aan IEC 61770 Type BA. Water dat door een systeemscheider stroomt wordt geacht geen drinkwater te zijn.



- Houd u aan de voorschriften van uw drinkwaterbedrijf.
- Alle aansluitslangen moeten zijn voorzien van op juiste wijze afgedichte koppelingen.
- Het is belangrijk dat de aanvoerslang ten minste 12,7 mm in doorsnede is en versterkt is.
- Het apparaat mag nooit worden gebruikt op een drinkwatervoorziening zonder een terugslagklep. Water dat door een terugslagklep is gestroomd, wordt geacht geen drinkwater te zijn.

Een oppervlak reinigen

1. Start de hogedrukreiniger door de AAN/UIT-schakelaar (7) in de stand AAN te zetten.
2. Controleer dat de waterkraan openstaat of gebruik een andere watervoorziening, zodat de hogedrukreiniger wordt voorzien van water.
3. De beste hoek voor het onder hoge druk spuiten van water tegen een oppervlak is 45°.
 - Wanneer u in een rechte hoek op het oppervlak werkt, zult u meestal vuildeeltjes in het oppervlak werken.
 - Werkt u op verticale oppervlakken, dan kunt u het beste onderaan met een reinigingsmiddel beginnen en naar boven toe werken, zodat niet het reinigingsmiddel dat naar beneden loopt, strepen kan veroorzaken.
4. Laat de aan/uit-schakelaar los wanneer u de sproeiendel wilt losmaken.

OPMERKING: Al te hoge druk van de pomp kan het gevolg zijn van een verstopte spuitmond. Schakel altijd de hogedrukreiniger uit en trek de stekker uit het stopcontact voor u probeert een spuitmond schoon te maken.

Schoonmaakmiddelen (Afb. I1, I2, I3, I4)

Raadpleeg voor de stappen die u moet volgen voor het bevestigen van de fles met zeep/schoonmaakmiddel, **De zeepfles bevestigen** onder Montage en afstellingen.

Het gebruik van schoonmaakmiddelen kan de schoonmaaktijd aanzienlijk bekorten en kan helpen bij de verwijdering van moeilijke vlekken. Er zijn schoonmaakmiddelen die speciaal bedoeld zijn voor gebruik met de hogedrukreiniger en voor speciaal schoonmaakwerk.

De schoonmaakkracht van schoonmaakmiddelen kunt u het beste benutten door de middelen op een oppervlak aan te brengen en de chemicaliën tijd te geven vuil en aanslag af te breken. Schoonmaakmiddelen werken het beste wanneer ze onder lage druk aanbrengt.

De combinatie van de chemische werking en het spoelen onder hoge druk is zeer effectief.

Begin op verticale oppervlakken het schoonmaakmiddel onderaan aan te brengen aan en werk omhoog. Zo voorkomt u dat het schoonmaakmiddel omlaag loopt en strepen veroorzaakt. Bij reiniging onder hoge druk moet u altijd van onder naar boven werken. Bij uitzonderlijk hardnekkige vlekken kan het nodig zijn een borstel te gebruiken in combinatie met schoonmaakmiddelen en hogedrukreiniging.

De hogedrukreiniger verplaatsen

1. Schakel de hogedrukreiniger (16) uit door de AAN/UIT-kiezer (17) in de UIT-stand te zetten en schakel dan de watervoorziening uit.
2. Richt de hogedruklans (2) in een veilige richting en haal de Aan/Uit-schakelaar (7) over zodat de resterende waterdruk ontsnapt.
3. Til, wanneer de hogedruklans geheel leeg is, de hogedrukreiniger op aan de handgreep (18).

Afsluiten

1. Schakel de hogedrukreiniger (16) uit door de AAN/UIT-kiezer (17) in de UIT-stand te zetten en trek dan de stekker uit het stopcontact.
2. Draai de kraan dicht of verbreekt de aansluiting op de watervoorziening.
3. Laat overgebleven druk ontsnappen door de aan/uit-schakelaar (7) in te knijpen tot er geen water meer uit de hogedruklans (2) komt.
4. Vergrendel de aan/uit-schakelaar (6) in de uit-stand.
5. Maak de tuinslang (28) los van de waterinlaat (25).
6. Maak de hogedrukslang (1) los van de hogedrukuitlaat (20) en de afvoerslang.

Zelf voorbereidend

1. Sluit de inlaatslang aan op de hogedrukreiniger. Raadpleeg **De tuinslang aansluiten** onder Montage en afstellingen.
2. Plaats het vrije uiteinde van de slang met daarop een filter bevestigd in de alternatieve watervoorziening (bijvoorbeeld een emmer)

3. Sluit de hogedrukslang aan op de sproeiendel. Raadpleeg **De hogedrukslang aansluiten** onder Montage en aanpassingen.
4. Steek de stekker van de hogedrukreiniger in het stopcontact.
5. Zet de hogedrukreiniger in werking door de AAN/UIT-kiezer in de stand AAN te zetten.
6. Schakel de hogedrukreiniger uit zodra er water uit de uitlaatleiding van de unit sproeit.
7. Trek de stekker van de hogedrukreiniger uit het stopcontact.
8. Monteer de hogedrukslang op de uitlaatleiding van de pomp.
9. Steek de stekker van de hogedrukreiniger in het stopcontact.
10. Zet de hogedrukreiniger in werking door de AAN/UIT-kiezer in de stand AAN te zetten.
11. Bedien de aan/uit-schakelaar van de sproeiendel en start de schoonmaakwerkzaamheden.

Onderhoud

Dit BLACK+DECKER-gereedschap is ontworpen om gedurende langere tijd te functioneren met een minimum aan onderhoud. Het continu naar tevredenheid functioneren hangt af van de juiste zorg voor het gereedschap en regelmatige reiniging.



Waarschuwing! Doe altijd het volgende voordat u onderhoudswerkzaamheden aan het gereedschap uitvoert.

- ♦ Reinig regelmatig de ventilatiesleuven van het gereedschap met een zachte borstel of droge doek.
- ♦ Reinig de behuizing van de motor regelmatig met een vochtige doek. Gebruik geen schurend schoonmaakmiddel of een schoonmaakmiddel op basis van een oplosmiddel.

Reiniging

De spuitmond reinigen (Afb. A, G)

Als de spuitmond verstopt raakt met bijvoorbeeld vuil, kan de druk te hoog oplopen. Als de spuitmond gedeeltelijk verstopt of niet goed doorlaatbaar wordt, zal de pompdruk toe- en afnemen. Maak de spuitmond onmiddellijk schoon met de spuitmondreiniger.

1. Schakel de hogedrukreiniger (16) uit en trek de stekker uit het stopcontact.
2. Draai de waterkraan dicht.
3. Trek de aan/uit-schakelaar (7) op de sproeiendel (4) in zodat de waterdruk kan afnemen.
4. Neem de spuitmond van de hogedruklans (2) door de knop (3) in te drukken.

5. Verwijder met de spuitmondreiniger (14) vuil uit de spuitmond.
6. Laat water uit de kraan of uit de tuinslang door de spuitmond lopen.

Recycle elektrische producten en accu's volgens de ter plaatse geldende bepalingen. Meer informatie is beschikbaar op www.2helpU.com

Technische gegevens

	BEPW1300	BEPW1300L	BEPW1650	BEPW1700	BEPW2000
Type	1	1	1	1	1
Vermogen	1300 W _{max} (2000)	1300W _{max} (2000)	1650W _{max} (2000)	1700 W _{max} (2000)	2000 W _{max} (2000)
Nominaal debiet	5,2 L/min	5,2 L/min	5,5 L/min	5,5 L/min	5,8 L/min
Max. stroomsnelheid	6,6 L/min	6,6 L/min	6,8 L/min	6,8 L/min	7,5 L/min
Nominale druk (Bar/PSI/MPa)	74 / 1073 / 7,4	74 / 1073 / 7,4	80 / 1160 / 8	83,5 / 1211 / 8,35	105 / 1523 / 10,5
Max. druk (Bar/PSI/MPa)	110 / 1600 / 11	110 / 1600 / 11	120 / 1740 / 12	125 / 1810 / 12,5	150 / 2175 / 15
Watertemp	50° C	50° C	50° C	50° C	50° C
Inlaatwater	Koud schoon water	Koud schoon water	Koud schoon water	Koud schoon water	Koud schoon water
Gegarandeed geluidsvermogensniveau L _{WA} dB(A)	92	92	91	91	93
Maximale inlaatdruk MPa	1,0	1,0	1,0	1,0	1,0
Motorbeveiliging	IPX5	IPX5	IPX5	IPX5	IPX5
Motor type	Borstel	Borstel	Borstel	Borstel	Borstel
Pomp	Aluminium	Aluminium	Aluminium	Aluminium	Aluminium
Zelf voorbereidend	Ja	Ja	Ja	Ja	Ja
Slanglengte	3M	3M*	3M*	6M	6M
Geïntegreerd filter	Ja	Ja	Ja	Ja	Ja
Gewicht	4,9 kg	5,3 kg	5,3 kg	6,3 kg	8,2 kg
Terugslagkracht van het pistool bij de maximale druk	21N	21N	21N	21N	21N

*PA/KI/KIT = 6M

N&V testgegevens:

BEPW1300:
 Emissie geluidsrukniveau L_{PA}: 77,0 dB(A);
 K = 3,0 dB(A)
 Gemeten geluidsvermogensniveau: L_{WA}: 89,0 dB(A); K = 2,8 dB(A)
 Waarde trillingsemissie ah: minder dan 2,5 m²; K = 0,6 m/s²
 BEPW1300L:
 Emissie geluidsrukniveau L_{PA}: 77,0 dB(A); K= 3,0 dB(A)
 Gemeten geluidsvermogensniveau: L_{WA}: 89,0 dB(A); K= 2,8 dB(A)
 Waarde trillingsemissie ah: minder dan 2,5 m²; K = 0,6 m/s²
 BEPW1650:
 Emissie geluidsrukniveau L_{PA}: 75 dB(A); K= 3 dB(A)
 Gemeten geluidsvermogensniveau: L_{WA}: 88dB(A); K= 2,2dB(A)
 Waarde trillingsemissie ah: minder dan 2,5 m²; K= 0,5 m/s²
 BEPW1700:
 Emissie geluidsrukniveau L_{PA}: 75 dB(A); K= 3 dB(A)
 Gemeten geluidsvermogensniveau: L_{WA}: 88dB(A); K= 2,2dB(A)

Filter reinigen (Afb. K)

Inspecteer het filter (10 vóór elk gebruik en reinig het indien nodig. Verwijder het filterelement en verwijder eventueel vuil onder stromend water.

Opslag

- Berg ze op een droge, overdekte locatie op, boven het vriespunt. BINNENSHUIS OPBERGEN.
- Laat altijd alle water uit de hogedrukslang, de hogedrukreiniger, de spuitmonden en de hogedruklans lopen.
- U kunt spuitmonden in de unit opbergen, zoals wordt getoond in Afb. H. **OPMERKING:** De turbospuitmond (BEPW2000) of de fijne straal-naar-waaiër-spuitmond kan tegen de zijkant bewaard worden.
- U kunt het netsnoer opgerold en met de bevestigingshaak (21) vastgemaakt opbergen zoals wordt getoond in Afb. I.
- U kunt de hogedrukslang (1) opgerold en met behulp van de haak en de bevestigingsband (27) vastgemaakt op de handgreep (18) opbergen, zoals wordt getoond in Afb. I.
- U kunt de sproeiendel (4) met de beugel (26) opbergen aan de achterzijde van de unit, zoals wordt getoond in Afb. I.
- U kunt de hogedruklans (2) met de beugel (26) opbergen aan de achterzijde van de unit, zoals wordt getoond in Afb. I.

De stekker vervangen (alleen VK en Ierland)

Als er een nieuwe netstekker moet worden gemonteerd:

- Gooi de oude stekker op verantwoorde wijze weg.
- Verbind de bruine draad met de spannings-/ faseaansluiting in de nieuwe stekker.
- Verbind de blauwe draad met de massaklem.



Waarschuwing! Er moet geen verbinding tot stand worden gebracht met de aardeaansluiting. Volg de montage-instructies die bij stekkers van goede kwaliteit worden geleverd.
 Aanbevolen zekering: 13 A.

Het milieu beschermen



Gescheiden afvalinzameling. Producten en accu's die zijn voorzien van dit symbool mogen niet bij het normale huishoudafval worden weggegooid.

Producten en accu's bevatten materialen die kunnen worden teruggewonnen of gerecycled, wat de vraag naar grondstoffen doet afnemen.

Waarde trillingsemissie ah: minder dan 2,5 m²; K= 0,5 m/s²

BEPW2000:

Emissie geluidsdrumniveau L_{PA}: 78 dB(A); K= 3,0 dB(A)

Gemeten geluidsvermogensniveau: L_{WA}: 91,0 dB(A); K= 1,4 dB(A)

Waarde trillingsemissie ah: minder dan 2,5 m²; K= 0,6 m/s²

Ondergetekende is verantwoordelijk voor de samenstelling van het technische bestand en legt deze verklaring af namens Black & Decker.

Patrick Diepenbach

EG-conformiteitsverklaring

RICHTLIJN VOOR MACHINES RICHTLIJN VOOR GELUID BUITENSHUIS



BEPW1300, BEPW1300L, BEPW1650, BEPW1700,
BEPW2000 Hogedrukreiniger

Black & Decker verklaart hierbij dat de producten die worden beschreven onder "technische gegevens" voldoen aan: 2006/42/EC, EN 60335-1:2012+A11:2014+A13:2017+A1:2019+A14:2019+A2:2019+A15:2021, EN60335-2-79:2012, 2000/14/EC, Bijlage V

BEPW1300:

Gemeten geluidsvermogensniveau: L_{WA}: 89,0 dB(A); K= 2,8 dB(A)

Het gegarandeerd geluidsvermogensniveau L_{WA}: 92 dB(A)

BEPW1300L:

Gemeten geluidsvermogensniveau: L_{WA}: 89,0 dB(A); K= 2,8 dB(A)

Het gegarandeerd geluidsvermogensniveau L_{WA}: 92 dB(A)

BEPW1650:

Gemeten geluidsvermogensniveau: L_{WA}: 88dB(A); K= 2,2dB(A)

Het gegarandeerd geluidsvermogensniveau L_{WA}: 91 dB(A)

BEPW1700:

Gemeten geluidsvermogensniveau: L_{WA}: 88dB(A); K= 2,2dB(A)

Het gegarandeerd geluidsvermogensniveau L_{WA}: 91 dB(A)

BEPW2000:

Gemeten geluidsvermogensniveau: L_{WA}: 91,0 dB(A); K= 1,4 dB(A)

Het gegarandeerd geluidsvermogensniveau L_{WA}: 93 dB(A)

Deze producten voldoen ook aan richtlijn 2014/30/EU en 2011/65/EU.

Neem voor meer informatie contact op met Black & Decker op het volgende adres of raadpleeg de achterkant van de handleiding.

Patrick Diepenbach
General Manager, Benelux
Black and Decker,
Egide Walschaertsstraat 14-18
2800 Mechelen, België
27/04/2023

Garantie

Black & Decker heeft vertrouwen in zijn producten en biedt consumenten een garantie van 24 maanden vanaf de aankoopdatum.

Deze garantie vormt een aanvulling op uw wettelijke rechten en beperkt deze niet.

De garantie is geldig op het grondgebied van het Verenigd Koninkrijk, de Lidstaten van de Europese Unie en de Europese Vrijhandelszone.

Voor een garantieclaim, moet uw claim in overeenstemming zijn met de Algemene voorwaarden van Black&Decker en moet u een bewijs van aankoop overleggen aan de verkoper of een erkende reparatiemonteur.

Voorwaarden en condities van de 2-jarige garantie van Black&Decker en het adres van de vestiging van het geautoriseerde reparatiecentrum bij u in de buurt, kunt u vinden op internet op www.2helpU.com, of door contact op te nemen met het Black & Decker-kantoor ter plaatse, op het adres dat in deze handleiding wordt vermeld.

Bezoek onze website www.blackanddecker.nl, waar u uw nieuwe Black & Decker-product kunt registreren en het laatste nieuws vindt over nieuwe producten en speciale aanbiedingen.

Uso previsto

Su hidrolimpiadora BLACK+DECKER ha sido diseñada para la limpieza de barcos, coches, cubiertas, calzadas, parrillas, revestimientos de casas, motos, patios y muebles de exterior. No permita que los niños toquen la herramienta. El uso de la herramienta por parte de operadores inexpertos requiere supervisión.

Esta herramienta ha sido concebida únicamente para uso doméstico.

Instrucciones de seguridad

INSTRUCCIONES DE SEGURIDAD IMPORTANTES



ADVERTENCIA: Cuando utilice esta hidrolimpiadora, debe adoptar siempre las siguientes precauciones básicas:

- ♦ Si se dañara el cable de alimentación, deberá ser sustituido por el fabricante o por un centro de asistencia técnica autorizado de BLACK+DECKER para evitar cualquier situación de riesgo.
- ♦ Esta máquina no está prevista para ser usada por personas (incluidos niños) con capacidades físicas, sensoriales o mentales reducidas, o que carezcan de experiencia o conocimientos.
- ♦ Los niños deben vigilarse en todo momento para asegurarse de que no jueguen con el aparato.
- ♦ Lea todas las instrucciones antes de usar este producto.
- ♦ Para reducir el riesgo de lesiones, es necesaria una estricta supervisión cuando se usa un producto cerca de los niños.
- ♦ Debe saber cómo detener el producto y purgar las presiones rápidamente. Familiarícese totalmente con los mandos.
- ♦ Esté siempre atento y tenga cuidado.
- ♦ No utilice el producto cuando esté cansado o bajo los efectos de alcohol o drogas.
- ♦ Mantenga la zona de trabajo libre de personas y animales.
- ♦ No se extienda excesivamente ni se apoye sobre un soporte inestable. Mantenga constantemente una buena postura y equilibrio.
- ♦ Siga las instrucciones de mantenimiento especificadas en el manual.
- ♦ La conexión de suministro eléctrico debe ser realizada por un electricista cualificado y debe ajustarse a la norma IEC 60364-1. Se recomienda que el suministro eléctrico de esta máquina incluya un dispositivo de corriente diferencial residual que interrumpa el suministro si la corriente de fuga a tierra supera los 30 mA durante 30 ms o un dispositivo que pruebe el circuito de tierra.
- ♦ Durante la puesta en servicio, operación, manipulación, transporte y almacenamiento seguros de la máquina teniendo en cuenta su peso.



ADVERTENCIA: Riesgo de inyección o lesiones: no dirija el chorro de descarga hacia personas o animales.



ADVERTENCIA: Lea todo el manual antes de intentar montar, utilizar o instalar el producto.



ADVERTENCIA: Esta unidad ha sido diseñada para trabajos específicos. No debe modificarse ni utilizarse para ningún otro trabajo que no sea el previsto.

AVISO: Guarde siempre la hidrolimpiadora en un lugar donde la temperatura ambiente no sea inferior a 40 °F (4 °C). La garantía no cubre los daños por congelación.

1. No toque el enchufe ni la toma con las manos mojadas.
2. **Evite los arranques accidentales.** Ponga el interruptor de la unidad en la posición de apagado antes de conectar o desconectar el cable de las tomas de corriente.
3. Nunca dirija el pulverizador de agua hacia ningún cable de corriente ni directamente hacia la propia hidrolimpiadora pues podría producirse una descarga eléctrica mortal.
4. **Nunca lleve la hidrolimpiadora por el cable.** Nunca tire del cable para desenchufarla de la toma de corriente.
5. Para evitar daños, nunca hay que aplastar el cable ni colocarlo junto a objetos afilados ni cerca de una fuente de calor.
6. **Compruebe los cables de alimentación antes de usarlos.** Los cables dañados pueden reducir el rendimiento de la hidrolimpiadora o causar una descarga eléctrica mortal.
7. **El chorro estrecho de punta de alfiler es muy potente.** Se recomienda no usarlo en superficies pintadas, superficies de madera o artículos fijados con un soporte adhesivo.
8. Mantenga la zona de trabajo libre de personas y animales.
9. Utilice siempre la hidrolimpiadora con las dos manos, para mantener un control total de la lanza.
10. **No toque la boquilla ni el chorro de agua durante el funcionamiento.** Nunca coloque las manos delante de la boquilla.
11. **Utilice gafas de seguridad durante el funcionamiento.** Lleve ropa y calzado de protección para evitar la pulverización accidental.
12. Desconecte el enchufe de la toma de corriente cuando no use el aparato y antes de separar la manguera de alta presión.
13. **No haga nunca nudos ni retuerza la manguera de alta presión pues podrían producirse daños. Inspeccione periódicamente la manguera de alta presión.**

Sustituya inmediatamente la manguera si está dañada, desgastada o tiene signos de grietas, burbujas, agujeros u otras fugas.

Nunca agarre una manguera de alta presión que tenga fugas o esté dañada.

14. **No utilice ni guarde este producto a una temperatura inferior a 40 °F (4 °C).** Los daños por congelación no están cubiertos por la garantía.
15. **Observe cuidadosamente todas las instrucciones y advertencias sobre los productos químicos antes de utilizarlos. Utilice solo hidrolimpiadoras aprobadas. No utilice lejía, cloro ni ningún otro limpiador que contenga ácidos. Siga siempre las recomendaciones de la etiqueta del fabricante para usar adecuadamente los limpiadores.** Protéjase siempre los ojos, la piel y el sistema respiratorio contra los limpiadores.
16. **La hidrolimpiadora no debe utilizarse en lugares donde pueda haber vapores de gas.** Una chispa eléctrica puede causar una explosión o un incendio.
17. Para minimizar la cantidad de agua que entra en la hidrolimpiadora, la unidad debe colocarse lo más lejos posible del lugar de limpieza durante su funcionamiento.
18. Para evitar una descarga accidental, hay que trabar la pistola pulverizadora bloqueando el gatillo cuando no se utilice.
19. Para permitir la libre circulación de aire, la hidrolimpiadora NO debe estar cubierta cuando esté en funcionamiento.
20. **Nunca toque, agarre o intente tapar un agujero o una fuga de agua similar en la manguera de alta presión.** El chorro de agua ESTÁ bajo alta presión y penetrará en la piel.
21. **Utilice solo mangueras y accesorios clasificados para una presión superior a los PSI / Bar de la hidrolimpiadora.** Nunca utilice accesorios o componentes de otros fabricantes.
22. Nunca anule las características de seguridad de este producto.
23. No utilice la máquina si tiene piezas faltantes, rotas o no autorizadas.
24. Nunca pulverice líquidos inflamables ni use la hidrolimpiadora en lugares donde haya polvo, líquido o vapores combustibles.



ADVERTENCIA: Esta máquina ha sido diseñada para ser utilizada con el producto de limpieza suministrado o recomendado por el fabricante. El uso de otros productos de limpieza o químicos puede afectar negativamente a la seguridad de la máquina.



ADVERTENCIA: Durante el uso de limpiadores de alta presión, se pueden formar aerosoles. La inhalación de aerosoles puede ser peligrosa para la salud.



ADVERTENCIA: Los chorros de alta presión pueden ser peligrosos si se utilizan mal. El chorro no debe dirigirse hacia la propia máquina, personas ni equipos eléctricos bajo tensión.



ADVERTENCIA: No utilice la máquina dentro del alcance de personas que no lleven ropa de protección.



ADVERTENCIA: No dirija el chorro hacia usted ni hacia otras personas para limpiar la ropa o el calzado.



ADVERTENCIA: Riesgo de explosión – No pulverice líquidos inflamables.



ADVERTENCIA: Los limpiadores de alta presión no deben ser utilizados por niños o personal no capacitado.



ADVERTENCIA: Las mangueras, los accesorios y los acoplamientos de alta presión son importantes para la seguridad de la máquina. Use solo las mangueras, accesorios y acoplamientos recomendados por el fabricante.



ADVERTENCIA: Para garantizar la seguridad de la máquina, utilice solo los repuestos originales del fabricante o autorizados por este.



ADVERTENCIA: El agua que haya pasado por los obturadores de reflujo se considera no potable.



ADVERTENCIA: la máquina debe desconectarse de la fuente de alimentación para efectuar la limpieza o el mantenimiento y cuando se sustituyan piezas.



ADVERTENCIA: No use la máquina si el cable de alimentación o alguna pieza importante de la máquina está dañada, por ejemplo, los dispositivos de seguridad, las mangueras de alta presión o el gatillo de la pistola.



ADVERTENCIA: Los cables prolongadores inadecuados pueden ser peligrosos. Si se utiliza un cable prolongador, deberá ser adecuado para uso en exteriores, y la conexión debe mantenerse seca y alejada del suelo. Se recomienda hacerlo mediante un carrito de cable que mantenga la toma de corriente a por lo menos 60 mm del suelo.



ADVERTENCIA: Desconecte siempre el interruptor de seccionamiento de la red eléctrica cuando deje la máquina sin vigilancia.



ADVERTENCIA: Dependiendo del trabajo que deba realizar, puede usar boquillas blindadas para la limpieza a alta presión, que reducen drásticamente la emisión de aerosoles de agua. Sin embargo, este dispositivo no es apto para todos los trabajos.

Si no se pueden usar boquillas blindadas de protección contra los aerosoles, puede ser necesaria una máscara respiratoria de clase FFP 2 o equivalente, dependiendo del entorno de limpieza.



Póngase protección auditiva.



Máquina no apta para la conexión a la red de distribución de agua potable.



Directiva 2000/14/CE sobre la potencia acústica garantizada.
BEPW1300



Directiva 2000/14/CE sobre la potencia acústica garantizada.
BEPW1300L



Directiva 2000/14/CE sobre la potencia acústica garantizada.
BEPW1650



Directiva 2000/14/CE sobre la potencia acústica garantizada.
BEPW1700



Directiva 2000/14/CE sobre la potencia acústica garantizada.
BEPW2000



Nunca dirija el chorro de agua hacia otras personas, los animales, la máquina o los componentes eléctricos.

Seguridad de otras personas

- Esta herramienta eléctrica no ha sido concebida para ser usada por personas (incluidos niños) con capacidades físicas, sensoriales o mentales disminuidas o que carezcan de experiencia y conocimientos, salvo que hayan recibido supervisión o formación con respecto al uso de la herramienta por parte de una persona responsable de su seguridad.
- Los niños deben vigilarse en todo momento para asegurarse de que no jueguen con el aparato.

Vibración

Los valores de emisión de vibraciones declarados en el apartado de características técnicas y en la declaración de conformidad se han calculado según un método de prueba estándar proporcionado por la norma EN60335-2-79 y pueden utilizarse para comparar una herramienta con otra. El valor de emisión de vibraciones especificado también puede utilizarse en una evaluación preliminar de la exposición.



ADVERTENCIA: En función de cómo se utilice la herramienta, el valor de emisión de vibraciones durante el funcionamiento real de la hidrolimpiadora puede diferir del valor declarado. El nivel de las vibraciones puede aumentar por encima del nivel declarado.

Al evaluar la exposición a las vibraciones con el fin de determinar las medidas de seguridad que exige la directiva 2002/44/CE para proteger a las personas que utilizan periódicamente herramientas eléctricas en el entorno laboral, deberá tenerse en cuenta una estimación de la exposición a las vibraciones, las condiciones de uso reales y el modo de empleo de la herramienta, así como los pasos del ciclo operativo como, por ejemplo, el número de veces que la herramienta se apaga, el tiempo que está parada y el tiempo de activación.

Etiquetas en la herramienta

Junto con el código de la fecha, en la herramienta aparecen los siguientes símbolos:



¡Advertencia! Para reducir el riesgo de lesiones, el usuario debe leer el manual de instrucciones.



Use siempre protección para los ojos.

Seguridad eléctrica



Esta herramienta lleva un doble aislamiento; por lo tanto, no requiere puesta a tierra. Compruebe siempre que el voltaje suministrado corresponda al indicado en la placa de características.

Caidas de tensión (solo para BEPW2000)

Las corrientes irruptoras provocan caídas de tensión de corta duración. En condiciones de suministro de alimentación desfavorables, es posible que otros equipos se vean afectados. Si la impedancia del sistema de suministro de alimentación es inferior a 0,378 Ω, es poco probable que se produzcan perturbaciones.

Características

- Manguera de alta presión
- Lanza pulverizadora
- Botón de la boquilla
- Asa del pulverizador
- Agarre del asa del pulverizador
- Bloqueo del gatillo
- Gatillo

8. Boquilla de pulverización de abanico a chorro de lápiz
9. Conector de manguera
10. Filtro
11. Botella de detergente
12. Aplicador de la botella de detergente
13. Botón de conexión de la manguera
14. Herramienta de limpieza de boquillas
15. Boquilla turbo (BEPW2000)
16. Unidad hidrolimpiadora
17. Dial de encendido/apagado
18. Asa
19. Asa retráctil (BEPW1700, BEPW2000)
20. Salida de agua a alta presión
21. Gancho de sujeción del cable
22. Cable de alimentación

Montaje y ajustes



ADVERTENCIA: Antes de llevar a cabo cualquiera de las siguientes operaciones, compruebe que la herramienta esté apagada y desenchufada.

Instalación del asa de pulverización (Fig. A)

1. Para conectar el asa del pulverizador (4) a la lanza pulverizadora (2), inserte el extremo del asa del pulverizador en el extremo de la lanza pulverizadora.
2. Presione y gire el asa del pulverizador en sentido antihorario para bloquearlo en su posición.

Conexión de la manguera de alta presión (Fig. B)

AVISO: Nunca tire de la manguera de alta presión o de la manguera de suministro de agua para desplazar la hidrolimpiadora. Si lo hace, puede dañarse la manguera y/o la entrada y/o la salida de la bomba.

1. Para conectar la manguera de alta presión (1) al asa del pulverizador (4), pulse el botón de conexión de la manguera (13) e introduzca a la vez el extremo de la manguera (23) en el asa del pulverizador. Suelte el botón de conexión de la manguera cuando el extremo de la manguera haga clic al encajar en su posición.
2. Para conectar la manguera de alta presión a la hidrolimpiadora (16), enrosque el collarín de la manguera (24) en la salida de agua de alta presión (20).
NOTA: Desenrolle la manguera de alta presión antes de instalarla, para evitar que se tuerza.
NOTA: Evite el roscado cruzado cuando instale la manguera. El roscado cruzado causa fugas.

Conexión de la manguera de jardín (Fig. C-J2)

NOTA: Antes de conectar la manguera de jardín a la hidrolimpiadora, haga correr agua por la manguera de jardín durante treinta segundos para limpiar cualquier residuo que pudiese contener en su interior.

1. Para conectar la manguera de jardín a la hidrolimpiadora (16), enrosque el filtro (10) en la toma de agua (25).
2. Conecte la manguera de jardín al conector de la manguera (9) aflojando el tornillo del conector de jardín y colocando la manguera en el conector. Conecte la manguera de jardín al conector de la manguera (9) enroscando la manguera de jardín en el conector de jardín.
3. Conecte la manguera de jardín (28) montado en el conector de jardín al filtro (10) hasta que oiga un "clic".
NOTA: Desconecte siempre la manguera de jardín después de usarla.

Colocación de las boquillas (Fig. D)



PELIGRO: Riesgo de inyección de fluidos. No dirija el flujo de descarga hacia las personas, la piel o la vista sin protección ni hacia mascotas o animales. Podrían ocasionarse lesiones graves.



ADVERTENCIA: Los objetos proyectados pueden causar lesiones graves. NO intente cambiar las boquillas mientras la hidrolimpiadora esté funcionando. Apague la hidrolimpiadora antes de cambiar las boquillas.

1. Para conectar una boquilla a la lanza pulverizadora (2), presione el botón de la boquilla (3) de la lanza pulverizadora e introduzca la boquilla correspondiente.
2. Suelte el botón para bloquear la boquilla en su sitio.
3. Dé un tirón firme a la boquilla para comprobar que esté bloqueada en su sitio.

Boquilla de pulverización de abanico a chorro de lápiz

Ajuste del patrón pulverización de abanico (Fig. D1, D2)

El ángulo de pulverización que sale de la lanza pulverizadora puede ajustarse girando la boquilla. De este modo puede variarse el patrón de pulverización de aproximadamente un chorro de alto impacto estrecho de 0° a un chorro de abanico amplio de 60°.

Un patrón de abanico amplio distribuye el impacto del agua sobre un área más grande, permitiendo una excelente acción de limpieza con un riesgo reducido de daño a la superficie. Las superficies grandes pueden limpiarse más rápido utilizando un patrón de abanico amplio.

Un chorro estrecho en forma de lápiz distribuye el impacto del agua en una zona concentrada, ejerciendo una gran fuerza de impacto sobre la superficie de limpieza. Utilice el chorro estrecho en forma de lápiz para la limpieza profunda de un área concentrada. En todo caso, utilícelo con precaución pues puede dañar algunas superficies.

Colocación de la botella de detergente (Fig. I4)

Para conectar la botella de detergente (11 al asa del pulverizador (4 , introduzca el extremo de la botella de detergente en el interior del asa del pulverizador y gire la botella de jabón en sentido antihorario para bloquearla en su posición.

NOTA: La lanza y la botella de detergente no pueden instalarse a la vez.

NOTA: La botella de detergente debe colocarse debajo del cañón del asa del pulverizador. No coloque la botella de detergente por encima del cañón de la pistola de plástico, porque el jabón goteará sobre el cañón.

Boquilla de pulverización de abanico a chorro de lápiz	Para una limpieza suave de áreas amplias.
Boquilla Turbo	Para una limpieza abrasiva. (Incluida solo con el modelo BEPW2000)

Funcionamiento



ADVERTENCIA: Para reducir el riesgo de lesiones personales graves, apague la unidad y desconéctela de la fuente de alimentación antes de realizar cualquier ajuste o de poner o quitar acoplamientos o accesorios. El encendido accidental puede causar lesiones.

Posición correcta de las manos (Fig. E)



ADVERTENCIA: Para reducir el riesgo de lesión personal grave, tenga **SIEMPRE** las manos en la posición correcta que se muestra.



ADVERTENCIA: Para reducir el riesgo de sufrir lesiones personales graves, sujete **SIEMPRE** la herramienta con firmeza para anticiparse a cualquier reacción repentina.

La posición correcta de las manos requiere colocar una mano en el agarre del asa del pulverizador (5 , y la otra mano en el asa del pulverizador (4 .

Lavado a presión

Preparación de la superficie para la limpieza

- Retire de la zona los objetos que puedan constituir un peligro, como juguetes infantiles o muebles de exterior.
- Compruebe que todas las puertas y las ventanas estén bien cerradas.
- Proteja todas las plantas y árboles de la zona circundante con una lona, para asegurarse de que no dañarlos por un exceso de pulverización.
- Enjuague previamente el área que vaya a limpiar con agua limpia.

- Use solo los detergentes formulados para las hidrolimpiadoras.
- Pruebe siempre el detergente en una pequeña zona antes de usarlo.

Preparación de la hidrolimpiadora para el uso (Fig. J1, J2, J3, J4)



PELIGRO: Riesgo de inyección de fluidos y laceración. Cuando utilice el ajuste de alta presión, NO deje que la pulverización de alta presión entre en contacto con la piel o los ojos sin protección o con mascotas o animales. Podrían ocasionarse lesiones graves.



CUIDADO: Antes del uso:

1. Conecte la manguera de jardín al suministro de agua. El agua puede provenir de un grifo o de otro suministro de agua. Consulte **Autocebado** en Preparación de la hidrolimpiadora para el uso.
2. Conecte la manguera de alta presión a la hidrolimpiadora y al asa del pulverizador. Para ver las instrucciones de conexión de la manguera de alta presión a la hidrolimpiadora y al asa del pulverizador, consulte **Conexión de la manguera de alta presión** en Montaje y ajustes.
3. Conecte la manguera de jardín a la hidrolimpiadora. Para instrucciones sobre la conexión del suministro de agua a la hidrolimpiadora, consulte la sección **Conexión de la manguera de jardín** en la sección Montaje y ajustes.
4. Enchufe el cable de alimentación en una fuente de alimentación adecuada.

Preparación del asa del pulverizador

IMPORTANTE: Para encender la hidrolimpiadora, desbloquee el bloqueo del gatillo (6) y apriete el gatillo (7 .

1. Desbloquee el bloqueo del gatillo (6) .
2. Apriete el gatillo (7) . Mantenga apretado el gatillo durante 30 segundos para purgar el aire del sistema.
3. Si el chorro de agua aún tiene aire, siga pasando agua por el asa del pulverizador.

Conexión de agua



ADVERTENCIA: De conformidad con las normas vigentes, el aparato no debe usarse sin un separador de sistema en la red de agua potable. Use un separador conforme a la norma IEC 61770 de tipo BA. El agua que fluye a través de un separador de sistema se considera no potable.

- Respete las normas de su compañía de suministro de agua.
- Todas las mangueras de conexión deben tener juntas debidamente selladas.

- Compruebe que la manguera de suministro tenga un diámetro mínimo de 12,7 mm y sea reforzada.
- El aparato nunca debe utilizarse en el suministro de agua potable sin una válvula antirretorno. El agua que pasa por la válvula de refugio se considera no potable.



2. Apunte la lanza pulverizadora (2) hacia una dirección segura y apriete el gatillo (7) para liberar la presión del agua restante.
3. Cuando la lanza pulverizadora esté completamente vacía, levante la hidrolimpiadora por el asa (18).

Apagado

1. Apague la hidrolimpiadora (16) girando el dial de encendido/apagado (17) hacia la posición de apagado y desenchufe el cable de la toma de corriente.
2. Cierre el agua del grifo o desconecte cualquier otra fuente de agua.
3. Descargue la presión residual apretando el gatillo (7) hasta que no salga más agua de la lanza pulverizadora (2).
4. Desbloquee el bloqueo del gatillo del pulverizador (6).
5. Desconecte la manguera de jardín (28) de la toma de agua (25).
6. Desconecte la manguera de alta presión (1) de la salida de agua a alta presión (20) y la manguera de drenaje.

Autocebado

1. Conecte la manguera de entrada a la hidrolimpiadora. Consulte **Conexión de la manguera de jardín** en Montaje y ajustes.
2. Coloque el extremo libre de la manguera con el filtro conectado en la fuente de agua alternativa (por ejemplo, un cubo, etc.)
3. Conecte la manguera de alta presión al asa del pulverizador. Consulte **Conexión de la manguera de alta presión** en Montaje y ajustes.
4. Enchufe la hidrolimpiadora a una fuente de alimentación.
5. Para poner en marcha la hidrolimpiadora, gire el dial de encendido/apagado hacia la posición de encendido.
6. Apague la hidrolimpiadora tan pronto como el agua salga por el tubo de salida de la unidad.
7. Desenchufe la hidrolimpiadora de la fuente de alimentación.
8. Conecte la manguera de alta presión al tubo de salida de la bomba.
9. Enchufe la hidrolimpiadora a una fuente de alimentación.
10. Para poner en marcha la hidrolimpiadora, gire el dial de encendido/apagado hacia la posición de encendido.
11. Accione el gatillo del asa del pulverizador para iniciar el trabajo de limpieza.

Mantenimiento

Su herramienta BLACK+DECKER ha sido diseñada para funcionar durante un largo período de tiempo con un mantenimiento mínimo. El funcionamiento satisfactorio continuo depende del buen cuidado de la herramienta y de su limpieza periódica.

Limpieza de superficies

1. Para poner en marcha la hidrolimpiadora, gire el dial de encendido/apagado (17) hacia la posición de encendido.
2. Compruebe que el grifo de agua esté abierto o utilice cualquier otra fuente de agua para suministrar agua a la hidrolimpiadora.
3. El mejor ángulo para pulverizar agua para la limpieza de una superficie es de 45°.
 - Pulverizar de frente suele hacer que las partículas de suciedad se incrusten en la superficie.
 - Cuando se trabaja en superficies verticales, conviene aplicar el detergente empezando desde abajo y trabajando hacia arriba, para evitar que el detergente se deslice hacia abajo causando rayas.
4. Para desactivar el asa del pulverizador, suelte el gatillo.

NOTA: En caso de obstrucción de una boquilla o un acoplamiento, puede producirse una presión excesiva en la bomba. Apague siempre la hidrolimpiadora y desenchúfela antes de intentar desatascar una boquilla.

Detergentes (Fig. I1, I2, I3, I4)

Para ver los pasos a seguir para colocar la botella de detergente/jabón, consulte **Colocación de la botella de detergente** en Montaje y ajustes.

El uso de detergentes puede reducir drásticamente el tiempo de limpieza y ayudar a eliminar las manchas difíciles. Algunos detergentes han sido adaptados para usar con hidrolimpiadoras en tareas de limpieza específicas.

El poder de limpieza de los detergentes consiste en aplicarlos en una superficie y dejar que los productos químicos descompongan la suciedad y las incrustaciones. Los detergentes funcionan mejor cuando se aplican a baja presión. La combinación de la acción química y el enjuague a alta presión es muy eficaz.

En las superficies verticales, aplique el detergente empezando por la parte inferior y vaya subiendo. Esto evita que el detergente se deslice hacia abajo y cause rayas. El enjuague a alta presión también debe proceder de abajo hacia arriba. Para manchas especialmente obstinadas, puede que sea necesario utilizar un cepillo junto con los detergentes y el enjuague a alta presión.

Desplazamiento de la hidrolimpiadora

1. Apague la hidrolimpiadora (16) girando el dial de encendido/apagado (17) hacia la posición de apagado y después cierre el suministro de agua.



¡Advertencia! Antes de realizar el mantenimiento a la herramienta.

- Limpie periódicamente las ranuras de ventilación de la herramienta con un cepillo suave o un paño seco.
- Limpie periódicamente la carcasa del motor con un paño húmedo. No utilice limpiadores abrasivos o a base de disolventes.

Limpieza

Limpieza de la boquilla (Fig. A, G)

Si la boquilla se obstruye con materiales extraños, como suciedad, se puede producir una presión excesiva. Si la boquilla se obstruye parcialmente o se restringe, la presión de la bomba pulsará. Limpie inmediatamente la boquilla con el limpiador de boquillas.

1. Apague y desenchufe la hidrolimpiadora (16).
2. Cierre el suministro de agua.
3. Apriete el gatillo (7) del asa del pulverizador (4) para aliviar la presión del agua.
4. Quite la boquilla de la lanza pulverizadora (2) presionando el botón (3).
5. Uso de la herramienta de limpieza de boquillas (14), desatasque los restos de la boquilla.
6. Haga correr el agua de un grifo o de una manguera de jardín por la boquilla.

Limpieza del filtro (Fig. K)

Inspeccione el filtro (10) antes de cada uso y límpielo si es necesario. Retire el elemento filtrante y lávelo con agua limpia para eliminar los restos.

Almacenamiento

- Guarde la hidrolimpiadora en un lugar seco y cubierto, en el que la temperatura ambiente superior a la de congelación. **GUARDE EN UN LUGAR INTERIOR.**
- Vacíe siempre completamente el agua de la manguera de alta presión, la hidrolimpiadora, las boquillas y la lanza pulverizadora.
- Las boquillas pueden guardarse en la unidad, como se muestra en la Fig. H. **NOTA:** La boquilla turbo (BEPW2000) o chorro de lápiz a abanico a puede guardarse en la lanza.
- El cable de alimentación puede guardarse enrollado y se puede fijar en el gancho de sujeción del cable (21), como se muestra en la Fig. I.
- La manguera de alta presión (1) puede guardarse enrollada y fijada en el asa (18) usando el gancho y la correa de fijación (27), como se muestra en la Fig. I.
- El asa del pulverizador (4) puede guardarse en el soporte de la parte trasera de la unidad (26), como se muestra en la Fig. I.

- La lanza pulverizadora (2) puede guardarse en el soporte de la parte trasera de la unidad (26), como se muestra en la Fig. I.

Sustitución del enchufe de red (solo para Reino Unido e Irlanda)

Si debe colocar un nuevo enchufe de red:

- Deseche el enchufe anterior según las normas de seguridad.
- Conecte el extremo marrón al terminal vivo del nuevo enchufe.
- Conecte el terminal azul al terminal neutro.



¡Advertencia! No deberá realizar ninguna conexión al terminal de tierra. Siga las instrucciones de colocación suministradas usando enchufes de buena calidad.

Fusible recomendado: 13 A.

Protección del medioambiente



Recogida selectiva. Los productos y las baterías marcadas con este símbolo no se deben desechar junto con los residuos domésticos normales.

Los productos y las baterías que contienen materiales que se puedan recuperar o reciclar reducen la demanda de materias primas.

Recicle los productos eléctricos y las baterías de conformidad con las normas locales. Puede obtener más información en www.2helpU.com

Datos técnicos

	BEPW1300	BEPW1300L	BEPW1650	BEPW1700	BEPW2000
Tipo	1	1	1	1	1
Potencia	1300 W <small>(2000 W)</small>	1300W <small>(2000 W)</small>	1650W <small>(2000 W)</small>	1700 W <small>(2000 W)</small>	2000 W <small>(2000 W)</small>
Velocidad caudal nominal	5,2 L/min	5,2 L/min	5,5 L/min	5,5 L/min	5,8 L/min
Caudal nominal máx.	6,6 L/min	6,6 L/min	6,8 L/min	6,8 L/min	7,5 L/min
Presión nominal (Bar/PSI/MPa)	74 / 1073 / 7,4	74 / 1073 / 7,4	80 / 1160 / 8	83,5 / 1211 / 8,35	105 / 1523 / 10,5
Presión máx. (Bar/PSI/MPa)	110 / 1600/ 11	110 / 1600/ 11	120 / 1740 / 12	125 / 1810 / 12,5	150 / 2175 / 15
Temp. agua	50 °C	50 °C	50 °C	50 °C	50 °C
Entrada agua	Agua fría limpia	Agua fría limpia	Agua fría limpia	Agua fría limpia	Agua fría limpia
Potencia acústica garantizada L _{WA} dB(A)	92	92	91	91	93
Presión máx. entrada MPa	1,0	1,0	1,0	1,0	1,0
Protección motor	IPX5	IPX5	IPX5	IPX5	IPX5
Tipo motor	Con escobillas	Con escobillas	Con escobillas	Con escobillas	Con escobillas
Bomba	Aluminio	Aluminio	Aluminio	Aluminio	Aluminio
Autocebado	Si	Si	Si	Si	Si

	BEPW1300	BEPW1300L	BEPW1650	BEPW1700	BEPW2000
Longitud manguera	3M	3M*	3M*	6M	6M
Filtro integrado	Si	Si	Si	Si	Si
Peso	4,9 kg	5,3 kg	5,3 kg	6,3 kg	8,2 kg
Fuerza de repulsión de la pistola a presión máxima	21N	21N	21N	21N	21N

*PA/KI/KIT = 6M

Datos prueba N&V:

BEPW1300:

Nivel de emisión de presión acústica L_{PA} : 77,0 dB(A);

K=3,0 dB(A)

Nivel de potencia acústica medida: L_{WA} : 89,0 dB(A); K = 2,8 dB(A)

Valor de emisión de vibraciones ah: inferior a 2,5 m/s²; K=0,6 m/s²

BEPW1300L:

Nivel de emisión de presión acústica L_{PA} : 77,0 dB(A); K = 3,0 dB(A)

Nivel de potencia acústica medida: L_{WA} : 89,0 dB(A); K = 2,8 dB(A)

Valor de emisión de vibraciones ah: inferior a 2,5 m/s²; K=0,6 m/s²

BEPW1650:

Nivel de emisión de presión acústica L_{PA} : 75 dB(A); K= 3 dB(A)

Nivel de potencia acústica medida: L_{WA} : 88 dB(A); K= 2,2 dB(A)

Valor de emisión de vibraciones ah: inferior a 2,5 m/s²; K=0,5 m/s²

BEPW1700:

Nivel de emisión de presión acústica L_{PA} : 75 dB(A); K= 3 dB(A)

Nivel de potencia acústica medida: L_{WA} : 88 dB(A); K= 2,2 dB(A)

Valor de emisión de vibraciones ah: inferior a 2,5 m/s²; K=0,5 m/s²

BEPW2000:

Nivel de emisión de presión acústica L_{PA} : 78 dB(A); K = 3,0 dB(A)

Nivel de potencia acústica medida: L_{WA} : 91,0 dB(A); K = 1,4 dB(A)

Valor de emisión de vibraciones ah: inferior a 2,5 m/s²; K=0,6 m/s²

Declaración de conformidad CE DIRECTIVA DE MÁQUINAS DIRECTIVA SOBRE EL RUIDO EXTERIOR



Hidrolimpiadora BEPW1300, BEPW1300L, BEPW1650, BEPW1700, BEPW2000

Black & Decker declara que los productos descritos en «Datos técnicos» cumplen las siguientes normas:

2006/42/CE, EN 60335-1:2012+A11:2014+A13:2017+A1:2019 +A14:2019+A2:2019+A15:2021, EN60335-2-79:2012.

2000/14/EC, Anexo V

BEPW1300:

Nivel de potencia acústica medida: L_{WA} : 89,0 dB(A); K = 2,8 dB(A)

Nivel de potencia acústica garantizada L_{WA} : 92 dB(A)

BEPW1300L:

Nivel de potencia acústica medida: L_{WA} : 89,0 dB(A); K = 2,8 dB(A)

Nivel de potencia acústica garantizada L_{WA} : 92 dB(A)

BEPW1650:

Nivel de potencia acústica medida: L_{WA} : 88 dB(A); K= 2,2 dB(A)

Nivel de potencia acústica garantizada L_{WA} : 91 dB(A)

BEPW1700:

Nivel de potencia acústica medida: L_{WA} : 88 dB(A); K= 2,2 dB(A)

Nivel de potencia acústica garantizada L_{WA} : 91 dB(A)

BEPW2000:

Nivel de potencia acústica medida: L_{WA} : 91,0 dB(A); K = 1,4 dB(A)

Nivel de potencia acústica garantizada L_{WA} : 93 dB(A)

Estos productos también cumplen las Directivas 2014/30/UE y 2011/65/UE.

Para más información, póngase en contacto con Black & Decker en la siguiente dirección o consulte la parte posterior del manual.

El abajo firmante es el responsable de la elaboración del archivo técnico y realiza esta declaración en nombre y representación de Black & Decker.

Patrick Diepenbach

Patrick Diepenbach
Director General, Benelux
Black and Decker,
Egide Walschaertsstraat 14-18
2800 Mechelen, Bélgica
27/04/2023

Garantía

Black & Decker confía en la calidad de sus productos y ofrece a los consumidores una garantía de 24 meses a partir de la fecha de compra.

Esta garantía es adicional a sus derechos legales y no los menoscaba en modo alguno.

La garantía es válida dentro de los territorios de Reino Unido, los Estados Miembros de la Unión Europea y del Área de Libre Comercio Europea.

Para reclamar la garantía, deberá formular la reclamación de conformidad con las condiciones de Black & Decker, presentando el comprobante de compra al vendedor o al agente técnico autorizado.

Puede obtener las condiciones de la garantía de 2 años de Black & Decker y la ubicación de su agente técnico autorizado más cercano en el sitio www.2helpU.com o poniéndose en contacto con su oficina local de Black & Decker en la dirección que se indica en este manual.

Visite nuestro sitio web www.blackanddecker.co.uk para registrar su nuevo producto Black & Decker y recibir noticias sobre nuevos productos y ofertas especiales.

Utilização pretendida

O equipamento de lavagem a alta pressão da BLACK+DECKER é concebido para utilização doméstica para limpeza de barcos, automóveis, convés, acessos, grelhas, revestimentos exteriores de casas, motociclos, pátios e mobiliário exterior.

Não permita que crianças entrem em contacto com a ferramenta. É necessária supervisão se estas ferramentas forem manuseadas por utilizadores inexperientes.

Esta ferramenta destina-se apenas a utilização doméstica.

Instruções de segurança

INSTRUÇÕES IMPORTANTES DE SEGURANÇA



ATENÇÃO: Quando utilizar este equipamento de lavagem de alta pressão, devem ser sempre seguidas precauções básicas de segurança, incluindo as seguintes:

- ◆ Se o cabo de alimentação estiver danificado, terá de ser substituído pelo fabricante ou por um centro de assistência autorizado da BLACK+DECKER para evitar acidentes.
- ◆ Esta máquina não é concebida para utilização por pessoas (incluindo crianças) com capacidades físicas, sensoriais ou mentais reduzidas ou falta de experiência e conhecimento.
- ◆ As crianças devem ser vigiadas para não mexerem no equipamento.
- ◆ Leia todas as instruções antes de utilizar o produto.
- ◆ Para reduzir o risco de ferimentos, é necessário uma supervisão cuidada quando utilizar o produto perto de crianças.
- ◆ Deve saber como parar o produto e drenar as pressões rapidamente. Deve estar bem familiarizado com os comandos.
- ◆ Mantenha-se sempre atento e concentre-se no que está a fazer.
- ◆ Não utilize o produto se sentir fadiga ou sob o efeito de álcool ou drogas.
- ◆ Não devem estar presentes outras pessoas e animais na área operacional.
- ◆ Não se estique demasiado quando trabalhar com a ferramenta nem se coloque em cima de uma base instável. Mantenha sempre os pés bem apoiados e um equilíbrio adequado.
- ◆ Siga as instruções de manutenção especificadas no manual.
- ◆ A ligação da alimentação eléctrica deve ser efectuada por um electricista experiente e estar em conformidade com a directiva IEC 60364-1.

É recomendável que a alimentação eléctrica desta máquina inclua um dispositivo de corrente residual que interrompa a alimentação no caso da corrente de fuga à terra ser superior a 30 mA durante 30 ms ou um dispositivo que funcione como circuito de terra.

- ♦ Durante a colocação em serviço, operação, manuseio, transporte e armazenamento seguros da máquina, levando em consideração seu peso.



ATENÇÃO: Risco de injeção ou ferimentos: não aponte o jacto de descarga para pessoas ou animais.



ATENÇÃO: Leia este manual na íntegra antes de tentar montar, utilizar ou instalar o produto.



ATENÇÃO: Este equipamento foi concebido para aplicações específicas. Não deve ser modificada e/ou utilizada para qualquer outra aplicação que seja diferente para a qual foi concebida.

AVISO: Armazene sempre o equipamento de lavagem a alta pressão onde a temperatura não atinja valores inferiores a 4 °C. Os danos causados por congelamento não são abrangidos pela garantia.

1. Não toque na ficha ou na tomada com as mãos molhadas.
2. **Evite arranques involuntários.** Coloque o interruptor na posição Desligar antes de ligar ou desligar o cabo de tomadas eléctricas.
3. O jacto de água nunca deve ser apontado para qualquer cablagem eléctrica ou directamente para o equipamento de lavagem de alta pressão, caso contrário pode ocorrer um choque eléctrico fatal.
4. **Nunca transporte o equipamento de lavagem a alta pressão pelo cabo.** Nunca puxe o cabo para desligá-lo da tomada.
5. Para evitar danos, o cabo não deve ser pisado, colocado junto a objectos afiados ou perto de fontes de calor.
6. **Verifique os cabos de alimentação antes de utilizar o equipamento.** Os cabos danificados podem reduzir o desempenho do equipamento de lavagem a alta pressão ou causar um choque eléctrico fatal
7. **O jacto em linha estreito é muito potente.** Não é recomendável para utilização em superfícies pintadas, superfícies de madeira ou objectos afixados com fita adesiva dupla.
8. Não devem estar presentes outras pessoas e animais na área operacional.
9. Segure sempre o equipamento de lavagem de alta pressão com as duas mãos para manter o controlo total da vareta.
10. **Não toque no bocal ou no jacto de água durante a utilização.** Nunca coloque as mãos à frente do bocal.
11. **Use óculos de segurança quando utilizar o equipamento.** Use vestuário e calçado de protecção para protegê-lo de pulverização acidental.
12. Quando não utilizar o equipamento, desligue a ficha de alimentação e antes de desmontar a mangueira de alta pressão.
13. **Nunca faça nós ou torça a mangueira de alta pressão porque podem ocorrer danos. Inspeccione a mangueira de alta pressão com frequência. Substitua a mangueira de imediato se esta apresentar danos, desgaste ou mostrar sinais de rachas, bolhas, buracos ou outras fugas.**
Nunca agarre numa mangueira de alta pressão que apresente fugas ou danos.
14. **Não utilize ou armazene este produto a temperaturas inferiores a 4 °C.** Os danos causados por congelamento não são abrangidos pela garantia.
15. **Antes de utilizar o equipamento, respeite com atenção todas as instruções e avisos relacionados com produtos químicos. Utilize apenas produtos de limpeza para lavagem de alta pressão aprovados. Não utilize lixívia, cloro ou quaisquer produtos de limpeza que contenham ácidos. Siga sempre as recomendações indicadas no rótulo do fabricante no que respeita à utilização adequada dos produtos de limpeza.** Proteja sempre os olhos, a pele e o sistema respiratório dos produtos de limpeza.
16. **O equipamento de lavagem de alta pressão não deve ser utilizado em áreas onde possa haver vapores gasosos.** Uma faísca eléctrica pode causar uma explosão ou incêndio.
17. Para minimizar a quantidade de água que entra no equipamento de lavagem a alta pressão, a unidade deve ser colocada o mais afastado possível do local de limpeza durante a operação.
18. Para evitar uma descarga accidental, o gatilho da pistola de pulverização deve ser fixado na posição de bloqueio quando não estiver a ser utilizada.
19. Para que haja uma circulação livre do ar, o equipamento de lavagem de alta pressão NÃO deve estar tapado durante a operação.
20. **Nunca toque, agarre ou tape um buraco ou uma fuga de água semelhante na mangueira de alta pressão.** O fluxo de água ESTÁ sob pressão e VAI penetrar na pele.
21. **Utilize apenas mangueiras e acessórios cuja classificação seja superior aos valores de bares do seu equipamento de lavagem a alta pressão.** Nunca utilize com acessórios ou componentes de outros fabricantes.
22. Nunca danifique as características de segurança indicadas neste produto.
23. Não utilize a máquina se tiver peças partidas, em falta ou não autorizadas.
24. Nunca pulverize líquidos inflamáveis nem utilize o equipamento de lavagem de alta pressão em áreas que contenham poeiras, líquidos ou vapores inflamáveis.



ATENÇÃO: esta máquina foi concebida para utilização com o produto de limpeza fornecido ou recomendado pelo fabricante.

A utilização de outros produtos ou químicos de limpeza pode afectar a segurança da máquina.



ATENÇÃO: Durante a utilização de equipamento de lavagem de alta pressão pode haver formação de aerossóis. A inalação de aerossóis pode ser perigosa para a saúde.



ATENÇÃO: Os jactos de alta pressão podem ser perigosos se forem sujeitos a utilização indevida. O jacto não deve ser apontado para pessoas, equipamento eléctrico sob tensão ou para a própria máquina.



ATENÇÃO: Não utilize a máquina perto de pessoas, a menos que usem vestuário de protecção.



ATENÇÃO: Não aponte o jacto na sua direcção ou de outras pessoas para limpar vestuário ou calçado.



ATENÇÃO: Risco de explosão, não pulverize líquidos inflamáveis.



ATENÇÃO: O equipamento de lavagem de alta pressão não deve ser utilizado por crianças ou pessoal sem formação.



ATENÇÃO: As mangueiras de alta pressão, encaixes e acoplamentos são importantes para a segurança da máquina. Utilize apenas mangueiras, encaixes e acoplamentos recomendados pelo fabricante.



ATENÇÃO: Para garantir a segurança da máquina, utilize apenas as peças originais sobresselentes do fabricante ou aprovadas pelo fabricante.



ATENÇÃO: A água que sai através das válvulas anti-retorno é considerada não potável.



ATENÇÃO: a máquina deve ser desligada da fonte de alimentação durante a limpeza ou manutenção e quando substituir peças.



ATENÇÃO: Não utilize a máquina se o cabo de alimentação ou peças importantes da máquina estiverem danificadas, por exemplo, dispositivos de segurança, mangueiras de alta pressão ou uma pistola com gatilho.



ATENÇÃO: As extensões inadequadas podem ser perigosas. Se utilizar uma extensão, esta deve ser adequada para utilização no exterior e a ligação deve ser mantida seca e afastada do chão. É recomendável que o faça através de uma bobina que mantenha a tomada a uma distância de 60 mm acima do chão.



ATENÇÃO: desligue sempre a ligação à rede eléctrica quando deixar a máquina sem vigilância.



ATENÇÃO: Consoante a aplicação, os bocais blindados podem ser utilizados para lavagem de alta pressão, o que reduz consideravelmente a emissão de aerossóis aquosos.

No entanto, nem todas as aplicações permitem a utilização deste tipo de dispositivo. Se não forem aplicados bocais blindados para a protecção contra aerossóis, pode ser necessário usar uma máscara respiratória de classe FFP 2 ou equivalente, dependendo do ambiente de limpeza.

Segurança de terceiros

- Esta ferramenta não deve ser utilizada por pessoas (incluindo crianças) que apresentem capacidades físicas, sensoriais ou mentais reduzidas ou que não possuam os conhecimentos e a experiência necessários, excepto se forem vigiadas e instruídas acerca da utilização da ferramenta por uma pessoa responsável pela sua segurança.
- As crianças devem ser vigiadas para não mexerem no equipamento.

Vibração

Os valores da emissão de vibração declarados na secção de dados técnicos e na declaração de conformidade foram medidos de acordo com o método de teste padrão fornecido pela EN 60335-2-79 e podem ser utilizados para comparar ferramentas. O valor da emissão de vibração declarado pode ainda ser utilizado numa avaliação preliminar de exposição.



ATENÇÃO: O valor da emissão de vibração durante a utilização do equipamento de lavagem a alta pressão pode ser diferente do valor declarado, dependendo da forma como a ferramenta é utilizada. O nível de vibração pode aumentar acima do nível indicado.

Quando avaliar a exposição da vibração para determinar as medidas de segurança exigidas pela Directiva 2002/44/CE para proteger pessoas que utilizem frequentemente ferramentas eléctricas na sua actividade profissional, deve ser considerada uma estimativa de exposição de vibração, as condições reais de utilização e o modo de utilização da ferramenta, incluindo ainda todas as partes do ciclo de funcionamento, como os períodos de inactividade e espera da ferramenta, além do tempo de funcionamento.

Etiquetas colocadas na ferramenta

A ferramenta apresenta os seguintes símbolos de aviso em conjunto com o código de data:



Atenção! Para reduzir o risco de ferimentos, o utilizador deve ler o manual de instruções.



Use protecção ocular.



Use protecção auditiva.



A máquina não é adequada para ligação à rede de água portátil.



Potência sonora garantida pela Directiva 2000/14/CE.
BEPW1300



Potência sonora garantida pela Directiva 2000/14/CE.
BEPW1300L



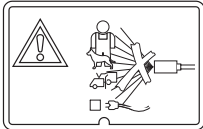
Potência sonora garantida pela Directiva 2000/14/CE.
BEPW1650



Potência sonora garantida pela Directiva 2000/14/CE.
BEPW1700



Potência sonora garantida pela Directiva 2000/14/CE.
BEPW2000



Nunca aponte o jacto de água a pessoas, animais, à máquina ou a componentes eléctricos

Segurança eléctrica



Esta ferramenta tem isolamento duplo. Por conseguinte, não necessita de ligação à terra. Verifique sempre se a tensão da tomada de electricidade corresponde à tensão indicada na placa sinalética.

Quedas de tensão (apenas para BEPW2000)

As correntes de irrupção causam quebras de tensão de curta duração. Em condições de alimentação desfavoráveis, outro equipamento poderá ser afectado. Se a impedância de sistema da fonte de alimentação for inferior a 0,378 Ω, a ocorrência de perturbações é improvável.

Componentes

1. Mangueira de alta pressão
2. Vareta de pulverização

3. Botão do bocal
4. Pega de pulverização
5. Pega de fixação de pulverização
6. Sistema de desbloqueio do gatilho
7. Gatilho
8. Ventoinha de pulverização para bocal do jacto lápis
9. Acoplamento do tubo
10. Filtro
11. Garrafa de sabão líquido
12. Aplicador da garrafa de sabão líquido
13. Botão de ligação da mangueira
14. Ferramenta de limpeza do bocal
15. Agulhetas turbo (BEPW2000)
16. Equipamento de lavagem de alta pressão
17. Botão Ligar/desligar
18. Pega
19. Pega retráctil (BEPW1700, BEPW2000)
20. Saída de água a alta pressão
21. Gancho de fixação do cabo
22. Cabo de alimentação

Montagem e ajustes



ATENÇÃO: Antes de tentar executar qualquer uma das operações que se seguem, certifique-se de que a ferramenta está desligada e que a ficha foi retirada da tomada.

Montar a pega de pulverização (Fig. A)

1. Para ligar a pega de pulverização (4) à vareta de pulverização (2), insira a extremidade da pega de pulverização na extremidade da vareta de pulverização.
2. Carregue e rode a pega de pulverização para a esquerda para bloqueá-la na respectiva posição.

Fixar a mangueira de alta pressão (Fig. B)

AVISO: Nunca puxe a mangueira de alta pressão ou a mangueira de fornecimento de água para mover a equipamento de lavagem a alta pressão. Isto pode danificar a mangueira e/ou a entrada da bomba e/ou a saída da bomba.

1. Para ligar a mangueira de alta pressão (1) na pega de pulverização (4), carregue no botão de ligação da mangueira (13) enquanto encaixa a extremidade da mangueira (23) na pega de pulverização. Liberte o botão de ligação da mangueira quando a extremidade da mangueira encaixar na respectiva posição.
2. Para ligar a mangueira de alta pressão à unidade de lavagem a alta pressão (16), aperte o anel da mangueira (24) na saída de água a alta pressão (20).
NOTA: Desenrole a mangueira de alta pressão antes da instalação para evitar que fique dobrada.

NOTA: Evite uma instalação transversal quando instalar a mangueira. Este tipo de instalação causa fugas.

Fixar a mangueira de jardim (Fig. C-J2)

NOTA: Antes de ligar a mangueira de jardim ao equipamento de lavagem de alta pressão, ligue a água à mangueira de jardim durante trinta segundos para retirar resíduos do interior da mangueira de jardim.

1. Para ligar a mangueira de jardim à unidade de lavagem a alta pressão (16), aparafuse o filtro (10) na entrada de água (25).
2. Ligue a mangueira de jardim ao acoplamento do tubo (9), desapertando o parafuso do conector do jardim e fixando a mangueira ao conector. Ligue a mangueira de jardim ao acoplamento do tubo (9), apertando a mangueira de jardim ao conector de jardim.
3. Fixe a mangueira de jardim (28) montada no conector de jardim no filtro (10) até encaixar.

NOTA: Após a utilização, desligue sempre a mangueira de jardim.

Montar os bocais (Fig. D)



PERIGO: Risco de injeção do fluido. Não aponte o jacto de descarga para pessoas, pele desprotegida, olhos ou animais. Podem ocorrer ferimentos graves.



ATENÇÃO: Os objectos projectados podem causar riscos de ferimentos graves. NÃO substitua os bocais quando o equipamento de lavagem de alta pressão estiver ligado. Antes de substituir os bocais, desligue o equipamento de lavagem de alta pressão.

1. Para ligar um bocal na vareta de pulverização (2), carregue no botão do bocal (3) na vareta de pulverização e insira o bocal adequado.
2. Liberte o botão para fixar o bocal no respectivo local.
3. Dê um puxão firme para garantir que o bocal fica encaixado no respectivo local.

Ventoinha de pulverização para o bocal do jacto lápis

Ajustar o jacto da ventoinha (Fig. D1, D2)

Pode rodar o bocal para ajustar o ângulo de pulverização que sai da vareta de pulverização. Isto faz com que o jacto de pulverização mude de um jacto de elevado impacto de cerca de 0° para uma pulverização de leque amplo de 60°.

Um jacto de leque amplo distribui o impacto da água sobre uma área mais ampla, resultando numa excelente acção de limpeza com um risco reduzido de danos na superfície. As áreas de superfícies grandes podem ser limpas de maneira mais rápida utilizando um jacto de leque amplo.

Um fluxo de jacto lápis estreito distribui o impacto da água numa área concentrada, resultando numa força de impacto elevado na superfície de limpeza.

Utilize um fluxo de jacto lápis estreito para uma limpeza profunda numa área concentrada. No entanto, deve utilizá-lo com cuidado, porque pode danificar algumas superfícies.

Instalar a garrafa de sabão líquido (Fig. I4)

Para ligar a garrafa de sabão líquido (11 na pega de pulverização (4), insira a extremidade da garrafa de sabão líquido dentro da pega de pulverização e rode a garrafa de sabão líquido para a esquerda para fixá-la na respectiva posição.

NOTA: A vareta e a garrafa de sabão líquido podem ser instaladas ao mesmo tempo.

NOTA: A garrafa de sabão líquido deve ser posicionada debaixo do depósito da pega de pulverização. Não posicione a garrafa de sabão líquido acima da pistola de plástico, porque pode fazer com que o sabão saia do depósito.

Ventoinha de pulverização para bocal do jacto lápis	Para a limpeza suave de uma área ampla.
Aguilheta turbo	Para limpeza abrasiva. (Incluído apenas com o modelo BEPW2000)

Funcionamento



ATENÇÃO: Para reduzir o risco de ferimentos graves, desligue a unidade e retire a ficha da tomada de electricidade antes de efectuar quaisquer ajustes ou de retirar/instalar dispositivos complementares ou acessórios. Um arranque accidental pode causar ferimentos.

Posição correcta das mãos (Fig. E)



ATENÇÃO: para reduzir o risco de lesões pessoais graves, utilize, **SEMPRE** as suas mãos na posição correcta, tal como exemplificado na figura.



ATENÇÃO: Para reduzir o risco de ferimentos graves, segure **SEMPRE** a ferramenta com firmeza, antecipando uma reacção súbita.

O posicionamento adequado das mãos requer a colocação de uma mão na pega de fixação de pulverização (5) e a outra mão na pega de pulverização (4).

Lavagem a pressão

Preparar a superfície para limpeza

- Retire os objectos da área que possa criar uma situação de perigo, como, por exemplo, brinquedos de crianças ou mobiliário exterior.
- Verifique se todas as portas e janelas estão bem fechadas.
- Proteja todas as plantas e árvores na área adjacente com um pano seco para garantir que não são danificadas pelo excesso de pulverização.
- Enxágue primeiro a área de limpeza com água doce.

- Utilize apenas detergentes criados para equipamento de lavagem de alta pressão.
- Antes de utilizar, teste sempre o detergente numa área discreta.

Preparar a unidade de lavagem a alta pressão para utilização (Fig. J1, J2, J3, J4)



PERIGO: Risco de injeção de fluido e laceração. Quando utilizar a regulação de alta pressão, **NÃO** permita que o jacto a alta pressão entre em contacto com pele ou olhos desprotegidos ou com animais. Podem ocorrer ferimentos graves.



CUIDADO: Antes de utilizar:

1. Ligue a mangueira de jardim a uma fonte de água. A água pode ser obtida a partir de uma torneira ou de outra fonte de água. Consulte **Escorvamento automático** em Preparar a unidade de lavagem a alta pressão para utilização.
2. Ligue a mangueira de alta pressão ao equipamento de lavagem a alta pressão e à pega de pulverização. Para obter instruções sobre a ligação da mangueira de alta pressão ao equipamento de lavagem a alta pressão e à pega de pulverização, consulte **Fixar a mangueira de alta pressão** em Montagem e ajustes.
3. Ligue a mangueira de jardim ao equipamento de lavagem a alta pressão. Para obter instruções sobre como ligar a fonte de água ao equipamento de limpeza a alta pressão, consulte **Montar a mangueira de jardim** em Montagem e ajustes.
4. Ligue o cabo de alimentação a uma fonte de alimentação adequada.

Preparar a pega de pulverização

IMPORTANTE: Antes de ligar a unidade de lavagem a alta pressão, desengate o sistema de desbloqueio do gatilho (6) e carregue no gatilho (7).

1. Desengate o sistema de desbloqueio do gatilho (6).
2. Carregue no gatilho (7). Mantenha o gatilho premido durante 30 segundos para purgar o sistema de ar.
3. Se mesmo assim houver ar no jacto de água, continue a deitar água através da pega de pulverização.

Fornecimento de água



ATENÇÃO: De acordo com os regulamentos aplicáveis, o equipamento nunca deve ser utilizado na rede de água potável sem um separador de sistema. Utilize um separador de sistema de acordo com a norma IEC 61770, tipo BA. O fluxo de água proveniente de um separador de sistema não é considerado potável.



- Cumpra os regulamentos da empresa de fornecimento de água.
- Todas as mangueiras flexíveis devem ter juntas vedadas.
- Verifique se a mangueira de fornecimento está a pelo menos 12,7 mm de diâmetro e está reforçada.
- O equipamento nunca deve ser utilizado na fonte de água potável sem uma válvula anti-retorno. A água que passe pela válvula anti-retorno não é potável.

Limpar superfícies

1. Para iniciar o equipamento de lavagem a alta pressão, rode o botão Ligar/desligar (17) para a posição Ligar.
2. Confirme se a torneira de água está aberta ou utilize outra fonte de água para que a água seja fornecida para a unidade de lavagem a alta pressão.
3. O ângulo mais adequado para pulverizar água numa superfície de limpeza é de 45°.
 - A cabeça de pulverização pode fazer com que as partículas de sujidade fiquem incrustadas na superfície.
 - Quando trabalhar em superfícies verticais, é aconselhável utilizar o detergente do fundo para cima, para impedir que este deslize para baixo e faça riscas.
4. Para desengançar a pega de pulverização, liberte o gatilho.

NOTA: O excesso de pressão na bomba pode fazer com que o bocal fique obstruído. Antes de desobstruir um bocal, desligue sempre a unidade de lavagem a alta pressão e a bateria.

Detergentes (Fig. I1, I2, I3, I4)

Para saber quais são os passos necessários para instalar a garrafa de sabão líquido/detergente, consulte **Instalar a garrafa de sabão** em Montagem e ajustes.

A utilização de detergentes pode reduzir consideravelmente o período de limpeza a ajudar a remover as nódoas difíceis. Alguns detergentes foram personalizados para a utilização do equipamento de lavagem a alta pressão em tarefas de limpeza específicas.

A potência de limpeza dos detergentes está relacionada com a colocação numa superfície e aguardar até os produtos químicos dissolverem a sujidade e a fuligem. Os detergentes funcionam melhor quando são aplicados a uma baixa pressão.

A combinação da acção química com a lavagem a alta pressão é muito eficaz.

Em superfícies verticais, aplique o detergente, começando pelo fundo e depois continue para cima. Isto impede que o detergente deslize para baixo e cause o surgimento de listas. A lavagem a alta pressão pode ser também efectuada do fundo para o topo. No caso das nódoas especialmente difíceis, pode ser necessário utilizar uma escova em conjunto com detergentes e lavagem a alta pressão.

Mover o equipamento de lavagem a alta pressão

1. Desligue a unidade de lavagem a alta pressão (16), rodando o botão Ligar/desligar (17) para a posição Desligar e depois desligue a fonte de alimentação.
2. Aponte a vareta de pulverização (2) numa direcção segura e puxe o gatilho (7) para libertar a pressão de água restante.
3. Quando a vareta de pulverização estiver totalmente vazia, levante o equipamento de lavagem a alta pressão pela pega (18).

Encerramento

1. Desligue a unidade de lavagem a alta pressão (16), rodando o botão Ligar/desligar (17) para a posição Desligar e depois retire a ficha da tomada.
2. Desligue a água na torneira ou de qualquer outra fonte de água.
3. Para descarregar a pressão residual, carregue no gatilho (7) até deixar de sair água da vareta de pulverização (2).
4. Engate o sistema de desbloqueio do gatilho de pulverização (6).
5. Desligue a mangueira de jardim (28) da admissão de água (25).
6. Desligue a mangueira de alta pressão (1) da saída de água a alta pressão (20) e drene a mangueira.

Escorvamento automático

1. Ligue a mangueira de entrada ao equipamento de lavagem a alta pressão. Consulte **Fixar a mangueira de jardim** em Montagem e ajustes.
2. Coloque a extremidade livre da mangueira com o filtro montado na fonte de água alternativa (por exemplo, no balde, etc.)
3. Ligue a mangueira de alta pressão à pega de pulverização. Consulte **Colocar a mangueira de alta pressão** em Montagem e ajustes.
4. Ligue a unidade de lavagem a alta pressão numa fonte de alimentação.
5. Ajuste o equipamento de lavagem a alta pressão, rodando o botão Ligar/desligar para a posição Ligar.
6. Desligue o equipamento de lavagem a alta pressão, assim que a água seja pulverizada do tubo de saída da unidade.
7. Ligue a unidade de lavagem a alta pressão a uma fonte de alimentação.
8. Monte a mangueira de alta pressão no tubo de saída da bomba.
9. Ligue a unidade de lavagem a alta pressão numa fonte de alimentação.
10. Ajuste o equipamento de lavagem a alta pressão, rodando o botão Ligar/desligar para a posição Ligar.

11. Carregue no gatilho na pega de pulverização para iniciar a tarefa de limpeza.

Manutenção

A ferramenta BLACK+DECKER foi concebida para funcionar durante muito tempo com um mínimo de manutenção. Uma utilização continuamente satisfatória depende de uma manutenção adequada da ferramenta e de uma limpeza frequente.



Atenção! Antes de proceder a qualquer acção de manutenção na ferramenta.

- ◆ Limpe regularmente as aberturas de ventilação da ferramenta com uma escova suave ou um pano seco.
- ◆ Limpe com frequência o compartimento do motor com um pano húmido. Não utilize produtos de limpeza abrasivos ou à base de solventes.

Limpeza

Limpeza do bocal (Fig. A, G)

Se o bocal ficar obstruído com materiais estranhos, como sujidade, pode ocorrer excesso de pressão. Se o bocal ficar parcialmente obstruído ou restringido, a pressão da bomba vai aumentar. Limpe o bocal de imediato com uma ferramenta de limpeza do bocal.

1. Desligue e retire a ficha da tomada da unidade de lavagem a alta pressão (16).
2. Desligue a fonte de água.
3. Puxe o gatilho (7) na pega de pulverização (4) para reduzir a pressão da água.
4. Para retirar o bocal da vareta de pulverização (2), carregue no botão (3).
5. Com a ferramenta de limpeza do bocal (14), retire os resíduos do bocal.
6. Limpe o bocal com água da torneira ou a mangueira de jardim.

Limpeza do filtro (Fig. K)

Inspeccione o filtro (10) antes de cada utilização e limpe-o, se necessário. Retire o elemento filtrante e lave-o com água cristalina para retirar quaisquer resíduos.

Armazenamento

- Armazene num local seco e coberto a uma temperatura superior à de congelamento. **ARMAZENE NUM ESPAÇO FECHADO.**
- Esvazie sempre por completo da mangueira de alta pressão, unidade de lavagem a alta pressão, bocais e a vareta de pulverização.
- Os bocais podem ser armazenados na unidade, como indicado na Fig. H. **NOTA:** As agulhetas turbo (BEPW2000) ou os bocais lápis para leque podem ser armazenados na vareta.

- O cabo de alimentação pode ser armazenado enrolado e fixado com o gancho de fixação do cabo (21), como indicado na Fig. I.
- A mangueira de alta pressão (1) pode ser armazenada enrolada e fixada na pega (18) com a ajuda do gancho e a alça de fixação (27), como indicado na Fig. I.
- A pega de pulverização (4) pode ser armazenada na parte de trás da unidade, utilizando o suporte (26), como indicado na Fig. I.
- A vareta de pulverização (2) pode ser armazenada na parte de trás da unidade, utilizando o suporte (26), como indicado na Fig. I.

Substituição da ficha de alimentação (apenas no Reino Unido e na Irlanda)

Se for necessário instalar uma nova ficha de alimentação:

- ♦ Elimine a ficha antiga em segurança.
- ♦ Ligue o cabo castanho ao terminal sob tensão na nova ficha.
- ♦ Ligue o cabo azul ao terminal neutro.



Atenção! Não deve ser efectuada qualquer ligação ao terminal de terra. Siga as instruções de instalação fornecidas com fichas de boa qualidade. Fusível recomendado: 13A.

Protecção do ambiente



Faça uma recolha de lixo selectiva. Os produtos e as baterias assinalados com este símbolo não devem ser eliminados em conjunto com o lixo doméstico normal.

Os produtos e baterias contêm materiais que podem ser recuperados ou reciclados, reduzindo a necessidade de matérias-primas.

Recicle os produtos eléctricos e as baterias de acordo com as disposições locais. Estão disponíveis mais informações em www.2helpU.com

Dados técnicos

	BEPW1300	BEPW1300L	BEPW1650	BEPW1700	BEPW2000
Tipo	1	1	1	1	1
Potência	1300 W <small>(230V/50Hz)</small>	1300W <small>(230V/50Hz)</small>	1650W <small>(230V/50Hz)</small>	1700 W <small>(230V/50Hz)</small>	2000 W <small>(230V/50Hz)</small>
Caudal nominal	5,2 l/min	5,2 L/min	5,5 L/min	5,5 l/min	5,8 l/min
Caudal máximo	6,6 l/min	6,6 L/min	6,8 L/min	6,8 l/min	7,5 l/min
Pressão nominal (bar/MPa)	74/1073/7,4	74 / 1073 / 7,4	80 / 1160 / 8	83,5/1211/8,35	105/1523/10,5
Pressão máx. (bar/MPa)	110/1600/11	110 / 1600/ 11	120 / 1740 / 12	125/1810/12,5	150/2175/15
Temperatura da água	50 °C	50 ° C	50 ° C	50 °C	50 °C
Admissão de água	Água limpa fria	Água limpa fria	Água limpa fria	Água limpa fria	Água limpa fria
Nível de potência sonora garantida L_{WA} dB(A)	92	92	91	91	93

	BEPW1300	BEPW1300L	BEPW1650	BEPW1700	BEPW2000
Pressão de entrada máxima, MPa	1,0	1,0	1,0	1,0	1,0
Protecção do motor	IPX5	IPX5	IPX5	IPX5	IPX5
Tipo de motor	Com escovas	Com escovas	Com escovas	Com escovas	Com escovas
Bomba	Alumínio	Alumínio	Alumínio	Alumínio	Alumínio
Escorvamento automático	Sim	Sim	Sim	Sim	Sim
Comprimento da mangueira	3M	3M*	3M*	6M	6M
Filtro integrado	Sim	Sim	Sim	Sim	Sim
Peso	4,9 KG	5,3 KG	5,3 KG	6,3 KG	8,2 KG
A força de repulsão da pistola atinge o valor máximo de pressão	21N	21N	21N	21N	21N

*PA/KI/KIT = 6M

Dados de teste N&V:

BEPW1300:

Nível de emissão de pressão sonora L_{PA} : 77,0 dB(A);

K = 3,0 dB(A)

Nível de potência sonora medida: L_{WA} : 89,0 dB(A); K=2,8 dB(A)

Valor da emissão de vibração: inferior a 2,5 m/s²; K = 0,6 m/s²

BEPW1300L:

Nível de emissão de pressão sonora L_{PA} : 77,0 dB(A); K=3,0 dB(A)

Nível de potência sonora medida: L_{WA} : 89,0 dB(A); K=2,8 dB(A)

Valor da emissão de vibração: inferior a 2,5 m/s²; K = 0,6 m/s²

BEPW1650:

Nível de emissão de pressão sonora L_{PA} : 75 dB(A); K = 3 dB(A)

Nível de potência sonora medida: L_{WA} : 88 dB(A); K = 2,2 dB(A)

Valor da emissão de vibração: inferior a 2,5m/s²; K = 0,5 m/s²

BEPW1700:

Nível de emissão de pressão sonora L_{PA} : 75 dB(A); K = 3 dB(A)

Nível de potência sonora medida: L_{WA} : 88 dB(A); K = 2,2 dB(A)

Valor da emissão de vibração: inferior a 2,5m/s²; K = 0,5 m/s²

BEPW2000:

Nível de emissão de pressão sonora L_{PA} : 78 dB(A); K=3,0 dB(A)

Nível de potência sonora medida: L_{WA} : 91,0 dB(A); K=1,4 dB(A)

Valor da emissão de vibração: inferior a 2,5 m/s²; K = 0,6 m/s²

Declaração de conformidade CE**DIRECTIVA “MÁQUINAS”
DIRECTIVA SOBRE RUÍDO EXTERIOR**

BEPW1300, BEPW1300L, BEPW1650, BEPW1700,
BEPW2000 Equipamento de lavagem a alta pressão

A Black & Decker declara que os produtos descritos em
“dados técnicos” estão em conformidade com:

2006/42/CE, EN 60335-1:2012+A11:2014+A13:2017+A1:2019
+A14:2019+A2:2019+A15:2021, EN60335-2-79:2012.
2000/14/CE, Anexo V

BEPW1300:

Nível de potência sonora medida: L_{WA} : 89,0 dB(A); K=2,8
dB(A)

Nível de potência sonora garantido L_{WA} : 92 dB(A)

BEPW1300L:

Nível de potência sonora medida: L_{WA} : 89,0 dB(A); K=2,8
dB(A)

Nível de potência sonora garantido L_{WA} : 92 dB(A)

BEPW1650:

Nível de potência sonora medida: L_{WA} : 88 dB(A); K = 2,2 dB(A)

Nível de potência sonora garantido L_{WA} : 91 dB(A)

BEPW1700:

Nível de potência sonora medida: L_{WA} : 88 dB(A); K = 2,2 dB(A)

Nível de potência sonora garantido L_{WA} : 91 dB(A)

BEPW2000:

Nível de potência sonora medida: L_{WA} : 91,0 dB(A); K=1,4
dB(A)

Nível de potência sonora garantido L_{WA} : 93 dB(A)

Estes produtos estão também em conformidade com as
Directivas 2014/30/UE e 2011/65/UE.

Para obter mais informações, contacte a Black & Decker
através do endereço seguinte ou consulte o verso do manual.

O signatário é responsável pela compilação do ficheiro
técnico e faz esta declaração em nome da Black & Decker.

Patrick Diepenbach

Patrick Diepenbach
Director-Geral, Benelux
Black and Decker,
Egide Walschaertsstraat 14-18
2800 Mechelen, Bélgica
27/04/2023

Garantia

A Black & Decker confia na qualidade dos seus produtos e oferece aos clientes uma garantia de 24 meses a partir da data de compra.

Esta garantia é um complemento dos seus direitos estabelecidos por lei, não os prejudicando de forma alguma. A garantia é válida nos territórios do Reino Unido, nos Estados-membros da União Europeia e nos países-membros da Zona Europeia de Comércio Livre.

Para accionar a garantia, esta deve estar em conformidade com os termos e condições da Black&Decker e tem de apresentar o comprovativo de compra ao vendedor ou a um técnico de reparação autorizado.

Os termos e condições da garantia de 2 anos da Black&Decker e a localização do agente de reparação autorizado mais próximo pode ser obtido na Internet em www.2helpU.com ou contactando uma filial da Black & Decker, cuja morada está indicada neste manual.

Visite o nosso Website www.blackanddecker.co.uk para registar o novo produto Black & Decker e manter-se actualizado relativamente a novos produtos e ofertas especiais.

Avsedd användning

Denna BLACK+DECKER högtryckstvätt har utformats för rengöring av båtar, bilar, altaner, uppfart, grillar, husväggar, motorcyklar, uteplatser och utemöbler.

Låt inte barn komma i kontakt med verktyget. Övervakning krävs när oerfarna användare använder detta verktyg.

Detta verktyg är endast avsett för konsumentbruk.

Säkerhetsinstruktioner

VIKTIGA SÄKERHETSINSTRUKTIONER



WARNING: När du använder denna högtryckstvätt ska grundläggande försiktighetsåtgärder alltid följas, inklusive följande:

- ♦ Om nätsladden är skadad måste den bytas ut av tillverkaren eller en auktoriserad BLACK+DECKER-verkstad för att undvika farliga situationer.
- ♦ Denna apparat är inte avsedd att användas av personer (inklusive barn) med reducerad fysisk, sensorisk eller mental kapacitet eller som saknar erfarenhet eller kunskap.
- ♦ Barn bör övervakas för att garantera att de inte leker med apparaten.
- ♦ Läs alla instruktioner innan du använder produkten.
- ♦ För att minska risken för skador är det nödvändigt att produkten hålls under noga uppsikt när den används i närheten av barn.
- ♦ Lär dig hur produkten stoppas och trycket avlägsnas snabbt. Se till att du är väl förtrogen med kontrollerna.
- ♦ Var uppmärksam – tänk på vad du gör.
- ♦ Använd inte produkten när du är trött eller påverkad av alkohol eller droger.
- ♦ Håll driftområdet fritt från alla personer och djur.
- ♦ Sträck dig inte för mycket eller stå på ett instabilt stöd. Ha ordentligt fotfäste och balans hela tiden.
- ♦ Följ underhållsinstruktionerna som anges i manualen.
- ♦ Den elektriska anslutningen ska göras av en kvalificerad elektriker och uppfylla IEC 60364-1. Det rekommenderas att elförsörjningen till denna maskin inkluderar antingen en jordfelsbrytare som kommer att avbryta matningen om läckströmmen till jord överstiger 30 mA under 30 ms eller en enhet som säkrar jordkretsen.
- ♦ Under driftsättning, säker drift, hantering, transport och förvaring av maskinen med hänsyn till dess vikt.



WARNING: Risk för injektion eller skada – rikta inte strålen mot personer eller djur.



WARNING: Läs hela denna manual innan du försöker montera, använda eller installera produkten.



WARNING: Denna enhet är designad för specifika tillämpningar. Den bör inte modifieras och/eller användas för någon annan tillämpning än den som den designades för.

OBSERVERA: Förvara alltid din högtryckstvätt på en plats där temperaturen inte kommer att falla under 4 °C. Frysskador täcks inte av garantin.

1. Vidrör inte kontakten eller uttaget med våta händer.
2. **Undvik oavsiktlig igångsättning.** Flytta strömbrytaren på enheten till AV-läget innan du ansluter eller kopplar bort sladden till eluttagen.
3. Vattenstrålen får aldrig riktas mot elektriska ledningar eller direkt mot själva högtryckstvätten, då kan dödlig elektrisk stöt uppstå.
4. **Bär aldrig din högtryckstvätt i sladden.** Dra aldrig i sladden för att koppla ur den från uttaget.
5. För att förhindra skador bör sladden inte krossas, placeras bredvid vassa föremål eller nära en värmekälla.
6. **Kontrollera nätsladdarna innan du använder dem.** Skadade sladdar kan minska prestanda hos högtryckstvätten eller orsaka en dödlig elektrisk stöt.
7. **Den smala vattenstrålen är mycket kraftfull.** Den rekommenderas inte för användning på målade ytor, träytor eller föremål fästa med en självhäftande baksida.
8. Håll driftområdet fritt från alla personer och djur.
9. Använd alltid båda händerna när du använder högtryckstvätten för att behålla fullständig kontroll över lansens.
10. **Rör inte munstycket eller vattenstrålen under drift.** Placera aldrig händerna framför munstycket.
11. **Bär skyddsglasögon när du arbetar.** Bär skyddskläder och skor för att skydda mot oavsiktlig sprutning.
12. Dra ut stickkontakten ur uttaget när den inte används och innan du tar bort högtrycksslangen.
13. **Knyt aldrig knutar på eller vik högtrycksslangen eftersom den kan skadas. Inspektera högtrycksslangen regelbundet. Byt ut slangen omedelbart om den är skadad, sliten eller visar tecken på sprickor, bubblor, hål eller annat läckage.** Ta aldrig tag i en högtrycksslang som läcker eller är skadad.
14. **Använd eller förvara inte denna produkt i temperaturer under 4 °C.** Frysskador täcks inte av garantin.
15. **Följ noggrant alla kemiska instruktioner och varningar före användning. Använd endast godkända högtryckstvättar. Använd inte blekmedel, klor eller andra rengöringsmedel som innehåller syror. Följ alltid tillverkarens etikettkommendationer för korrekt användning av rengöringsmedel.** Skydda alltid ögon, hud och andningsorgan från rengöringsmedel.
16. **Högtryckstvätten bör inte användas i områden där gasångor kan finnas.** En elektrisk gnista kan orsaka en explosion eller brand.

17. För att minimera mängden vatten som kommer in i högtryckstvätten bör enheten placeras så långt som möjligt från rengöringsplatsen under drift.
18. För att förhindra oavsiktlig urladdning bör sprutpistolen säkras genom att låsa avtryckaren när den inte används.
19. För att tillåta fri luftcirkulation bör högtryckstvätten INTE täckas under drift.
20. **Rör, greppa eller försök aldrig täcka ett hål eller liknande vattenläcka på högtrycksslangen.**
Vattenströmmen ÄR under högt tryck och KOMMER att penetrera huden.
21. **Använd endast slangar och tillbehör som är klassade för tryck högre än din högtryckstvätts PSI / bar.**
Använd aldrig med någon annan tillverkares tillbehör eller komponenter.
22. Kring aldrig säkerhetsfunktionerna i denna produkt.
23. Använd inte maskinen med saknade, trasiga eller obehöriga delar.
24. Spruta aldrig brandfarliga vätskor eller använd högtryckstvätt i områden som innehåller brännbart damm, vätska eller ängor.



WARNING: Den här maskinen har designats för användning med det rengöringsmedel som tillhandahålls eller rekommenderas av tillverkaren. Användning av andra rengöringsmedel eller kemikalier kan påverka maskinens säkerhet negativt.



WARNING: Vid användning av högtryckstvättar kan aerosoler bildas. Inandning av aerosoler kan vara hälsofarligt.



WARNING: Högtrycksstrålar kan vara farliga om de utsätts för felaktig användning. Strålen får inte riktas mot personer, strömförande elektrisk utrustning eller själva maskinen.



WARNING: Använd inte maskinen inom räckhåll för personer om de inte bär skyddskläder.



WARNING: Rikta inte strålen mot dig själv eller andra för att rengöra kläder eller skor.



WARNING: Explosionsrisk – spruta inte brandfarliga vätskor.



WARNING: Högtryckstvättar får inte användas av barn eller utbildad personal.



WARNING: Högtrycksslanger, fästen och kopplingar är viktiga för maskinens säkerhet. Använd endast slangar, fästen och kopplingar som rekommenderas av tillverkaren.



WARNING: För att säkerställa maskinens säkerhet, använd endast originalreservdelar från tillverkaren eller som är godkända av tillverkaren.



WARNING: Vatten som har runnit genom en backventil anses vara icke drickbart.



WARNING: Maskinen ska kopplas bort från sin strömkälla under rengöring eller underhåll och vid byte av delar.



WARNING: Använd inte maskinen om en nåtsladd eller viktiga delar av maskinen är skadade, t.ex. säkerhetsanordningar, högtrycksslanger, avtryckarpistol.



WARNING: Felaktiga förlängningssladdar kan vara farliga. Om en förlängningssladd används ska den vara lämplig för utomhusbruk och anslutningen måste hållas torr och från marken. Det rekommenderas att detta görs med hjälp av en sladdvinda som håller uttaget minst 60 mm över marken.



WARNING: Stäng alltid av strömbrytaren när du lämnar maskinen oövervakad.



WARNING: Beroende på applikation kan skärmade munstycken användas för högtrycksrengöring, vilket kommer att minska utsläppen av vattenhaltiga aerosoler dramatiskt. Men inte alla applikationer tillåter användning av en sådan enhet. Om skärmade munstycken inte är tillämpliga som skydd mot aerosoler, kan en andningsmask av klass FFP 2 eller motsvarande behövas, beroende på rengöringsmiljön.

Säkerhet för andra

- ♦ Verktuget ska inte användas av personer (inklusive barn) med nedsatt fysisk eller mental förmåga eller bristande erfarenhet och kunskap om de inte får vägledning och övervakas av en person som ansvarar för deras säkerhet.
- ♦ Barn bör övervakas för att garantera att de inte leker med apparaten.

Vibrationer

De vibrationsvärden som anges i avsnitten Tekniska data och deklarationen om överensstämmelse har uppmätts i enlighet med en standardtestmetod föreskriven i EN60335-2-79 och kan användas för jämförelse med andra verktyg. Det angivna vibrationsvärdet kan även användas för en preliminär bedömning av exponeringen.



WARNING: VIBRATIONSVÄRDET under faktisk användning av elverktuget kan skilja sig från det uppgivna värdet beroende på hur verktyget används. Vibrationsnivån kan överstiga den uppgivna nivån.

Vid uppskattningar av exponering för vibrationer i syfte att bedöma vilka säkerhetsåtgärder som är nödvändiga enligt 2002/44/EG för att skydda personer som regelbundet använder elverktyg i arbetet ska man utgå från de faktiska omständigheter under vilka elverktuget används och sättet på vilket det används. Bedömningen ska även ta hänsyn till alla moment i arbetscykeln, t.ex. när verktyget är avstängt och när det går på tomgång såväl som när det faktiskt används.

Etiketter på verktyget

Följande varningssymboler finns på verktyget, tillsammans med datumkoden:



Varning! Läs bruksanvisningen före användning för att minska risken för personskador.



Bär ögonskydd.



Använd hörselskydd.



Maskinen är inte lämplig för anslutning till dricksvattenledning.



Garanterad ljudnivå enligt direktiv 2000/14/EG.
BEPW1300



Garanterad ljudnivå enligt direktiv 2000/14/EG.
BEPW1300L



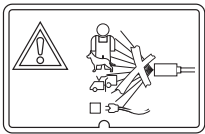
Garanterad ljudnivå enligt direktiv 2000/14/EG.
BEPW1650



Garanterad ljudnivå enligt direktiv 2000/14/EG.
BEPW1700



Garanterad ljudnivå enligt direktiv 2000/14/EG.
BEPW2000



Rikta aldrig vattenstrålen mot människor, djur, maskinen eller elektriska komponenter

Elsäkerhet



Eftersom verktyget är dubbelisolerat behövs ingen jordledare. Kontrollera alltid så att spänningen på nätet motsvarar den spänning som finns angiven på märkplåten.

Spänningsfall (endast för BEPW2000)

Inkopplingsströmmar orsakar korta spänningsfall. Annan utrustning kan påverkas under ogymsamma strömförhållanden. Om spänningskällans systemimpedans är lägre än 0.378 Ω kommer sannolikt inga störningar att inträffa.

Funktioner

1. Högtryckssläng
2. Sprutlans
3. Munstycksknapp
4. Spruthandtag
5. Spruthandtagsgrepp
6. Avtryckarlås
7. Avtryckare
8. Sprayfläkt till pennmunstycke
9. Slanganslutning
10. Filter
11. Flaska med rengöringsmedel
12. Applikator till flaska med rengöringsmedel
13. Slanganslutningsknapp
14. Munstyckesrengöringsverktyg
15. Turbomunstycke (BEPW2000)
16. Högtryckstvätt
17. PÅ/AV-ratt
18. Handtag
19. Infällbart handtag (BEPW1700, BEPW2000)
20. Högtrycksvattenutlopp
21. Sladdhållarkrok
22. Nätsladd

Montering och justering



WARNING: Innan du gör något av nedanstående ska du kontrollera att verktyget är avstängt och frånkopplat.

Montera spruthandtaget (fig. A)

1. För att ansluta spruthandtaget (4) till sprutlansen (2), sätt in änden av spruthandtaget på sprutlansens ände.
2. Tryck in och vrid spruthandtaget moturs för att låsa det på plats.

Fästa högtryckssläng (fig. B)

OBSERVERA: Dra aldrig i högtrycksslängen eller vattenslangen för att flytta högtryckstvätten. Detta kan skada slang och/eller pumpinlopp och/eller pumputlopp.

1. För att ansluta högtrycksslängen (1) till spruthandtaget (4), tryck på slanganslutningsknappen (13) samtidigt som du klickar in slangändan (23) i spruthandtaget. Släpp slanganslutningsknappen när slangändan har klickat på plats.
2. För att ansluta högtrycksslängen till högtryckstvättenheten (16), skruva fast slangkragen (24) på högtrycksvattenutloppet (20).

NOTERA: Rulla ut högtrycksslängen före installation för att förhindra veck.

NOTERA: Undvik tvärgångning när du installerar slangen. Tvärgångning orsakar läckor.

Att fästa trädgårdsslangen (fig. C-J2)

NOTERA: Innan du ansluter trädgårdsslangen till högtrycksvätten, ska du låta vatten rinna genom trädgårdsslangen i trettio sekunder för att rensa bort skräp från trädgårdsslangens insida.

1. För att ansluta trädgårdsslangen till högtrycksvättenheten (16), skruva fast filtret (10) på vatteninloppet (25).
2. Anslut trädgårdsslangen till slanganslutningen (9) genom att lossa skruven på trädgårdsanslutningen och fästa slangen på anslutningen. Anslut trädgårdsslangen till slanganslutningen (9) genom att skruva fast trädgårdsslangen i trädgårdsanslutningen.
3. Fäst trädgårdsslangen (28) monterad på trädgårdsanslutningen till filtret (10) tills det "klickar".

NOTERA: Koppla alltid bort trädgårdsslangen efter användning.

Fästa munstycket (fig. D)



FARA: Risk för vätskeintrång. Rikta inte utflödet mot personer, oskyddad hud, ögon eller djur. Allvarliga personskador kan uppstå.



WARNING: Flygande föremål kan orsaka risk för allvarliga skador. Försök INTE byta munstycket medan högtrycksvätten är igång. Stäng AV högtrycksvätten innan du byter munstycket.

1. För att ansluta ett munstycke till sprutlansen (2), tryck på munstycksknappen (3) på sprutlansen och sätt i lämpligt munstycke.
2. Lossa knappen för att låsa munstycket på plats.
3. Ge munstycket ett hårt ryck för att säkerställa att munstycket låses på plats.

Sprayfläkt till pennmunstycke

Justera sprutmönster (fig. D1, D2)

Sprutvinkeln som kommer ur sprutlansen kan justeras genom att vrida munstycket. Detta kommer att variera sprutmönstret från ungefär en 0° smal ström med hög effekt till en 60° bred stråle.

Ett brett sprutmönster fördelar vattnets påverkan över en större yta, vilket resulterar i utmärkt rengöringsverkan med minskad risk för ytskador. Stora ytor kan rengöras snabbare med ett brett sprutmönster.

En smal pennstråle fördelar vattnets påverkan i ett koncentrerat område, vilket resulterar i en hög slagkraft på rengöringsytan. Använd en smal pennstråle för djuprengöring på ett koncentrerat område. Använd den dock försiktigt, eftersom den kan skada vissa ytor.

Fästa rengöringsmedelsflaska (fig. I4)

För att ansluta rengöringsmedelsflaskan (11 till spruthandtaget (4), sätt in änden av rengöringsmedelsflaskan inuti spruthandtaget och vrid rengöringsmedelsflaskan moturs för att låsa den på plats.

NOTERA: Lansen och rengöringsmedelsflaskan kan inte installeras samtidigt.

NOTERA: Rengöringsmedelsflaskan ska placeras under spruthandtagets cylinder. Placera inte rengöringsmedelsflaskan ovanför plastpistolens pipa eftersom det kommer att leda till att rengöringsmedel droppar på pipan.

Sprayfläkt till pennmunstycke	För skonsam rengöring av stora ytor.
Turbomunstycke	För slipande rengöring. (Ingår endast med modellen BEPW2000)

Drift



WARNING: För att minska risken för allvarlig personskada, stäng av enheten och koppla bort den från strömkällan innan du gör några justeringar eller tar bort/installerar tillsatser eller tillbehör. En oavsiktlig start kan orsaka personskada.

Korrekt handplacering (fig. E)



WARNING: För att minska risken för allvarlig personskada, använd **ALLTID** korrekt handplacering såsom visas.



WARNING: För att minska risken för allvarliga personskador bör du **ALLTID** hålla verktyget stadigt och vara beredd på plötsliga rörelser.

Korrekt handposition kräver att ena handen är på spruthandtagsgreppet (5) och den andra handen på spruthandtaget (4).

Högtrycksvätt

Förbereda ytan för rengöring

- Ta bort föremål från området som kan utgöra en fara såsom leksaker eller utemöbler.
- Se till att alla dörrar och fönster är ordentligt stängda.
- Skydda alla växter och träd i det intilliggande området med en presenning så att de inte skadas av strålen.
- Skölj området som ska rengöras med färskt vatten.
- Använd endast rengöringsmedel anpassade för högtrycksvättar.
- Testa alltid rengöringsmedel på ett obetydligt område före användning.

Förbereda högtryckstvätt för användning (fig. J1, J2, J3, J4)



FARA: Risk för vätskeintrång och hudskador. Låt **INTE** högtrycksstrålen komma i kontakt med oskyddad hud, ögon eller med djur när du använder högtrycksinställningen. Allvarliga personskador kan uppstå.



FÖRSIKTIGHET: Innan användning:

1. Anslut trädgårdsslangen till en vattenkälla. Vatten kan tas från en kran eller annan vattenförsörjning. Se **Själv sugning** under Förbereda högtryckstvättsenhet för användning.
2. Anslut högtrycksslangen till högtryckstvätten och spruthandtaget. För instruktioner om hur du ansluter högtrycksslangen till högtryckstvätten och spruthandtaget, se **Montering högtrycksslang** under Montering och justeringar.
3. Anslut trädgårdsslangen till högtryckstvätten. För instruktioner om hur du ansluter vattentillförseln till högtryckstvätten, se **Fästa trädgårdsslang** under Montering och justering.
4. Koppla in strömkontakten i lämpligt eluttag.

Förbereda spruthandtaget

VIKTIGT: Innan du startar högtryckstvätten, avaktivera avtryckarlåset (6) och tryck på avtryckaren (7).

1. Läs upp avtryckarlåset (6).
2. Kläm på avtryckaren (7). Håll inne avtryckaren i 30 sekunder för att tömma systemet på luft.
3. Om det fortfarande finns luft i vattenströmmen, fortsätt att låta vatten rinna genom spruthandtaget.

Vattenanslutning



VARNING: Enligt gällande bestämmelser får apparaten aldrig användas i dricksvattennätet utan systemseparator. Använd en separator enligt IEC 61770 typ BA.

Vatten som strömmar genom en systemseparator anses inte vara drickbart.



- Följ din vattenleverantörs bestämmelser.
- Alla anslutningsslangar måste ha ordentligt tätade skarvar.
- Se till att matningsslangen är minst 12,7 mm i diameter och är förstärkt.
- Apparaten får aldrig användas på dricksvattenförsörjningen utan en backventil. Vatten som har passerat backventilen anses odrickbart.

Rengöring av en yta

1. För att starta högtryckstvätten, vrid PÅ/AV-ratten (17) till läget PÅ.
2. Kontrollera att vattenkranen är öppen eller använd någon annan vattenkälla så att vatten kommer att tillföras högtryckstvättenheten.
3. Den bästa vinkeln för att spruta vatten mot en rengöringsyta är 45°.
 - Spruthuvudet tenderar att få smutspartiklar att bäddas in i ytan.
 - När du arbetar på vertikala ytor är det bäst att applicera rengöringsmedel i botten och arbeta uppåt vilket förhindrar att medlet glider ner och orsakar strimmor.
4. För att koppla ur spruthandtaget, släpp avtryckaren.

NOTERA: För stort pumptryck kan vara resultatet av ett igensatt munstycke. Stäng alltid AV högtryckstvätten och ta ut batteriet innan du försöker rensa ett munstycke.

Rengöringsmedel (fig. I1, I2, I3, I4)

För steg för att fästa rengöringsmedel-/tvålflaskan, se **Montering av rengöringsmedelflaska** under Montering och justering.

Användning av rengöringsmedel kan dramatiskt minska rengöringstiden och hjälpa till att ta bort svåra fläckar. Vissa rengöringsmedel har skräddarsyts för användning med högtryckstvätt vid specifika rengöringsuppgifter.

Rengöringsförmågan hos rengöringsmedel kommer från att applicera dem på en yta och ge kemikalierna tid att bryta ner smutsen. Rengöringsmedel fungerar bäst när de appliceras vid lågt tryck.

Kombinationen av kemisk verkan och högtrycksspölning är mycket effektiv.

På vertikala ytor, applicera rengöringsmedlet med början i längst ner och arbeta dig uppåt. Detta kommer att förhindra att rengöringsmedlet glider ner och orsakar ränder. Högtrycksspölning bör också göras nerifrån och upp. På särskilt tuffa fläckar kan det vara nödvändigt att använda en borste i kombination med rengöringsmedel och högtrycksspölning.

Flytta högtryckstvätten

1. Stäng AV högtryckstvätten (16) genom att vrida PÅ/AV-ratten (17) till läget AV och stäng sedan AV vattentillförseln.
2. Rikta sprutlansen (2) i en säker riktning och tryck på avtryckaren (7) för att släppa kvarvarande vattentryck.
3. När sprutlansen är helt tom lyfter du högtryckstvätten i handtaget (18).

Avstängning

1. Stäng AV högtrycksvätten (16) genom att vrida PÅ/AV-ratten (17) till läget AV och koppla bort sladden från uttaget.
2. Stäng AV vattnet vid kranen eller koppla från eventuell annan vattenkälla.
3. Töm resttrycket genom att trycka på avtryckaren (7) tills inget mer vatten kommer ut ur sprutlansen (2).
4. Aktivera avtryckarlåset (6).
5. Koppla bort trädgårdsslangen (28) från vatteninloppet (25).
6. Koppla bort högtrycksslangen (1) från högtrycksvattenutloppet (20) och avloppsslangen.

Självprimande

1. Anslut inloppsslangen till högtrycksvätten. Se **Fästa trädgårdsslang** under Montering och justering.
2. Placera den fria änden av slangen med filtret festsatt i den alternativa vattenkällan (t.ex. hink, etc.)
3. Anslut högtrycksslangen till spruthandtaget. Se **Fästa högtrycksslang** under Montering och justering.
4. Anslut högtrycksvätten till en strömkälla.
5. Starta högtrycksvätten genom att vrida PÅ/AV-ratten till läget PÅ.
6. Stäng AV högtrycksvätten så snart vatten sprutar ut ur enhetens utloppsrör.
7. Koppla bort högtrycksvätten från strömkällan.
8. Montera högtrycksslangen till pumpens utloppsrör.
9. Anslut högtrycksvätten till en strömkälla.
10. Starta högtrycksvätten genom att vrida PÅ/AV-ratten till läget PÅ.
11. Tryck på spruthandtagets avtryckare för att påbörja rengöringsarbetet.

Underhåll

Detta BLACK+DECKER-verktyg har konstruerats för att fungera under lång tid med ett minimum av underhåll. Med rätt underhåll och regelbunden rengöring behåller verktyget sin prestanda.



WARNING! Innan underhåll utförs på verktyget.

- ♦ Rengör regelbundet ventilationsöppningarna i verktyget med en mjuk borste eller torr trasa.
- ♦ Rengör motorhöljet regelbundet med en fuktig trasa. Använd aldrig något slipande eller lösningsmedelsbaserat rengöringsmedel.

Rengöring

Munstyckesrengöring (bild A, G)

Om munstycket täpps till med främmande material, till exempel smuts, kan alltför stort tryck utvecklas.

Om munstycket blir delvis igensatt eller begränsat, kommer pumptrycket att pulsa. Rengör munstycket omedelbart med munstycksrengöringsmedel.

1. Stäng AV och koppla ur högtrycksvättenheten (16).
2. Stäng AV vattentillförseln.
3. Dra i avtryckaren (7) på spruthandtaget (4) för att avlasta vattentrycket.
4. Ta bort munstycket från sprutlansen (2) genom att trycka på knappen (3).
5. Använd munstycksrengöringsverktyget (14), ta bort eventuellt skräp från munstycket.
6. Kör vatten från en kran eller trädgårdsslang genom munstycket.

Filterrengöring (fig. K)

Inspektera filtret (10) före varje användning och rengör vid behov. Ta bort filterelementet och kör under rent vatten för att ta bort eventuellt skräp.

Förvaring

- Förvara på en torr, täckt plats över frystemperatur. FÖRVARA INOMHUS.
- Töm alltid vattnet helt från högtrycksslangen, högtrycksvättenheten, munstyckena och sprutlansen.
- Munstyckena kan förvaras i enheten enligt bild H. **NOTERA:** Munstyckena för turbo (BEPW2000) och pennstråle kan förvaras på lansen.
- Strömsladden kan förvaras ihoprullad och säkras med sladdhållarkroken (21) som visas i bild I.
- Högtrycksslangen (1) kan förvaras ihoprullad och säkrad på handtaget (18) med hjälp av kroken och spårremmen (27) som visas i fig. I.
- Spruthandtaget (4) kan förvaras på baksidan av enheten med hjälp av fästet (26) som visas i bild I.
- Sprutlansen (2) kan förvaras på baksidan av enheten med hjälp av fästet (26) som visas i bild I.

Byte av elkontakten (endast Storbritannien och Irland)

Om en ny elkontakt måste monteras:

- ♦ Gör dig av med den gamla kontakten på lämpligt sätt.
- ♦ Anslut den bruna ledaren till spänningsförande polen på den nya kontakten.
- ♦ Anslut den blå ledaren till nolluttaget.



Varning! Ingenting bör kopplas till jordanslutningen. Följ de monteringsanvisningar som följer med kontakter av god kvalitet.

Rekommenderad säkring: 13 A.

Skydda miljön



Separat insamling. Produkter och batterier som är markerade med denna symbol får inte kastas i de vanliga hushållssoptorna.

Produkterna och batterierna innehåller material som kan återvinnas eller återanvändas, vilket sänker behovet av råmaterial.

Återvinn elektriska produkter och batterier enligt lokala föreskrifter. Ytterligare information finns på www.2helpU.com

Tekniska data

	BEPW1300	BEPW1300L	BEPW1650	BEPW1700	BEPW2000
Typ	1	1	1	1	1
Effekt	1300 W _{max} (2000)	1300W _{max} (2000)	1650W _{max} (2000)	1700 W _{max} (2000)	2000 W _{max} (2000)
Flödes hastighet	5,2 l/min	5,2 L/min	5,5 L/min	5,5 l/min	5,8 l/min
Max flödes hastighet	6,6 l/min	6,6 L/min	6,8 L/min	6,8 l/min	7,5 l/min
Nominellt tryck (bar/PSI/MPa)	74 / 1073 / 7,4	74 / 1073 / 7,4	80 / 1160 / 8	83,5 / 1211 / 8,35	105 / 1523 / 10,5
Maxtryck (bar/PSI/MPa)	110 / 1600 / 11	110 / 1600 / 11	120 / 1740 / 12	125 / 1810 / 12,5	150 / 2175 / 15
Vattentemperatur	50 °C	50 °C	50 °C	50 °C	50 °C
Inloppsvatten	Kallt rent vatten	Kallt rent vatten	Kallt rent vatten	Kallt rent vatten	Kallt rent vatten
Garanterad ljudeffektivitet L _{WA} dB(A)	92	92	91	91	93
Maximalt ingångstryck MPa	1,0	1,0	1,0	1,0	1,0
Motorskydd	IPX5	IPX5	IPX5	IPX5	IPX5
Motortyp	Borstad	Borstad	Borstad	Borstad	Borstad
Pump	Aluminium	Aluminium	Aluminium	Aluminium	Aluminium
Självrprimande	Ja	Ja	Ja	Ja	Ja
Slanglängd	3M	3M*	3M*	6M	6M
Integrerat filter	Ja	Ja	Ja	Ja	Ja
Vikt	4,9 kg	5,3 kg	5,3 kg	6,3 kg	8,2 kg
Pistolens fränstånande kraft till maximalt tryck	21N	21N	21N	21N	21N

*PA/KI/KIT = 6M

N&V-testdata:

BEPW1300:

Emissionsljudtrycksnivå L_{PA}: 77,0 dB(A);

K = 3,0 dB(A)

Uppmått ljudeffektivitet: L_{WA}: 89,0 dB(A); K=2,8 dB(A)

Vibrationsvärde ah: mindre än 2,5 m/s²; K=0,6 m/s²

BEPW1300L:

Emissionsljudtrycksnivå L_{PA}: 77,0 dB(A); K=3,0 dB(A)

Uppmått ljudeffektivitet: L_{WA}: 89,0 dB(A); K=2,8 dB(A)

Vibrationsvärde ah: mindre än 2,5 m/s²; K=0,6 m/s²

BEPW1650:

Emissionsljudtrycksnivå L_{PA}: 75 dB(A); K=3 dB(A)

Uppmått ljudeffektivitet: L_{WA}: 88 dB(A); K=2,2 dB(A)

Vibrationsvärde ah: mindre än 2,5 m/s²; K=0,5 m/s²

BEPW1700:

Emissionsljudtrycksnivå L_{PA}: 75 dB(A); K=3 dB(A)

Uppmått ljudeffektivitet: L_{WA}: 88 dB(A); K=2,2 dB(A)

Vibrationsvärde ah: mindre än 2,5 m/s²; K=0,5 m/s²

BEPW2000:

Emissionsljudtrycksnivå L_{PA}: 78 dB(A); K=3,0 dB(A)

Uppmått ljudeffektivitet: L_{WA}: 91,0 dB(A); K=1,4 dB(A)

Vibrationsvärde ah: mindre än 2,5 m/s²; K=0,6 m/s²

EG-försäkran om överensstämmelse

MASKINDIREKTIVET

BULLERFÖRESKRIFTER, UTOMHUS



BEPW1300, BEPW1300L, BEPW1650, BEPW1700, BEPW2000 Högtryckstvätt

Black & Decker garanterar att produkterna som beskrivs under "Tekniska data" uppfyller:

2006/42/EG, EN 60335-1:2012+A11:2014+A13:2017+A1:2019+A14:2019+A2:2019+A15:2021, EN60335-2-79:2012.

2000/14/EG, Bilaga V

BEPW1300:

Uppmått ljudeffektivitet: L_{WA}: 89,0 dB(A); K=2,8 dB(A)

Garanterade ljudeffektivitet L_{WA}: 92 dB(A)

BEPW1300L:

Uppmått ljudeffektivitet: L_{WA}: 89,0 dB(A); K=2,8 dB(A)

Garanterade ljudeffektivitet L_{WA}: 92 dB(A)

BEPW1650:

Uppmått ljudeffektivitet: L_{WA}: 88 dB(A); K=2,2 dB(A)

Garanterade ljudeffektivitet L_{WA}: 91 dB(A)

BEPW1700:

Uppmått ljudeffektivitet: L_{WA}: 88 dB(A); K=2,2 dB(A)

Garanterade ljudeffektivitet L_{WA}: 91 dB(A)

BEPW2000:

Uppmått ljudeffektivitet: L_{WA}: 91,0 dB(A); K=1,4 dB(A)

Garanterade ljudeffektivitet L_{WA}: 93 dB(A)

Dessa produkter överensstämmer även med direktiven 2014/30/EU och 2011/65/EU.

Kontakta Black & Decker för ytterligare information på följande adress, eller se handbokens baksida.

Undertecknad är ansvarig för sammanställningen av tekniska data och gör denna försäkran för Black & Decker.

Patrick Diepenbach

Patrick Diepenbach
General Manager, Benelux
Black and Decker,
Egide Walschaertsstraat 14-18
2800 Mechelen, Belgium
27/04/2023

Garanti

Black & Decker är säker på kvaliteten hos denna produkt och erbjuder kunder 24 månaders garanti från inköpsdatumet. Denna garanti är ett tillägg till dina lagstadgade rättigheter och påverkar inte dessa på något sätt. Garantin är giltig i de områden som tillhör Förenade kungariket, medlemsstaterna i Europeiska unionen och det europeiska frihandelsområdet. För yrkande under garantin måste yrkandet vara i enlighet med Black&Deckers villkor och du kommer att behöva skicka in bevis på köpet till försäljaren eller en auktoriserad reparatör. Villkoren för Black&Deckers tvååriga garanti och var du hittar din närmaste auktoriserade reparatör kan erhållas på internet på www.2helpU.com, eller genom att kontakta ditt lokala Black & Decker-kontor på adressen som angetts i denna bruksanvisning. Besök vår webbplats www.blackanddecker.se för att registrera din nya Black & Decker-produkt samt för att få information om nya produkter och specialerbjudanden.

Tiltenkt bruk

Denne BLACK+DECKER høytrykksvaskeren er designet for rengjøring av båter, biler, oppkjørslar, griller, husvegger, motorsykler, terrasser og utendørs møbler. Ikke la barn komme i kontakt med verktøyet. Tilsyn er nødvendig når uerfame brukere skal bruke dette verktøyet. Dette verktøyet er bare ment som et forbrukerverktøy.

Sikkerhetsanvisninger

VIKTIGE SIKKERHETSINSTRUKSJONER



ADVARSEL: Ved bruk av denne elektriske høytrykksvaskeren, følg alltid de grunnleggende sikkerhetsanvisningene, inkludert følgende:

- Hvis strømledningen blir skadet, må den byttes av produsenten eller et autorisert BLACK+DECKER-servicesenter for å unngå fare.
- Denne maskinen er ikke ment for bruk av personer (inkludert barn) med reduserte fysiske, sansemessige og mentale evner eller som mangler erfaring og kunnskap.
- Barn må holdes under oppsyn, sørg for at de ikke leker med apparatet.
- Les hele bruksanvisningen før bruk av produktet.
- For å redusere faren for personskader er det viktig med godt tilsyn når produktet brukes i nærheten av barn.
- Vit hvordan du stopper produktet og tapp av trykket raskt. Gjør deg godt kjent med kontrollene.

- Vær oppmerksom, pass på hva du gjør.
- Bruk ikke produktet når du er trøtt eller påvirket av narkotika eller alkohol.
- Hold bruksområdet fritt for personer og dyr.
- Ikke strekk deg for langt på ustabil underlag. Ha godt fotfeste og stå støtt hele tiden.
- Følg vedlikeholdsanvisningene som spesifisert i bruksanvisningen.
- Tilkoblingen av strømforsyningen skal foretas av en kvalifisert elektriker og samsvare med IEC 60364-1. Det anbefales at strømforsyningen til denne maskinen skal omfatte en jordfeilbryter som avbryter strømmen dersom det registreres en strømlekkasje til jord som overstiger 30 mA i 30 ms, eller en enhet som kontrollerer jordingen.
- Under igangsetting, sikker drift, håndtering, transport og lagring av maskinen, tatt i betraktning dens vekt.



ADVARSEL: Fare for injeksjon eller personskader – ikke rett damp direkte mot mennesker eller dyr.



ADVARSEL: Les hele denne bruksanvisningen før du forsøker å montere, bruke eller installere produktet.



ADVARSEL: Dette apparatet er designet for spesifikke bruksområder. Det skal ikke modifiseres og/eller brukes for annen bruk enn den tiltenkte bruken.

MERK: Lagre alltid høytrykksvaskeren på et sted de temperaturen aldri faller under 40 °F (4 °C), frostskafer dekket ikke av garantien.

1. Ikke berør støpselet eller stikkkontakten med våte hender.
2. **Unngå utilsiktet start.** Sett bryteren til AV-posisjon før du kobler til eller fra strømkabelen.
3. Vannstrålen skal aldri rettes mot elektriske ledninger eller direkte mot selve høytrykksvaskeren, det kan føre til dødelig elektrisk støt.
4. **Bær aldri høytrykksvaskeren i strømkabelen.** Dra ikke i strømkabelen for å kople den fra stikkkontakten.
5. For å hindre skade skal strømkabelen aldri klemmes, plasseres mot skarpe kanter eller nær en varmekilde.
6. **Sjekk strømkabelen før bruk.** Skadet strømkabel kan redusere ytelsen av høytrykksvaskeren eller føre til dødelig elektrisk støt
7. **Den smale blyantstrålen er svært kraftig.** Den anbefales ikke for bruk på malte flater, treflater eller deler som er festet med lim.
8. Hold bruksområdet fritt for personer og dyr.
9. Bruk alltid begge hender ved bruk av høytrykksvaskeren for å holde god kontroll på lanssen.
10. **Ikke berør dysen eller vannstrålen under bruk.** Plasser aldri hendene foran dysen.
11. **Bruk vernebriller ved bruk. Bruk vernetøy og vernesko som beskyttelse mot utilsiktet berøring.** av strålen.

12. Koble støpselet fra stikkkontakten når maskinen ikke er i bruk og før du kobler fra høytrykkslangen.
13. **Aldri knyte eller bende høytrykkslangen, det kan føre til skader. Inspiser høytrykkslangen regelmessig. Skift ut slangen straks dersom den er skadet, slitt eller viser tegn til sprekker, bobler, nålehull eller lekkasje på annen måte.**
Grip aldri i en høytrykkslange som lekker eller er skadet.
14. **Ikke bruk eller lagre dette produktet ved temperaturer under 40 °F (4 °C).** Frostskader dekkes ikke av garantien.
15. **Sjekk nøye alle kjemiske anvisninger og advarsler før bruk. Bruk kun rengjøringsmidler godkjente for høytrykksvaskere. Ikke bruk blekemidler, kloring eller rengjøringsmidler som inneholder syre. Følg alltid produsentens anbefalinger for korrekt bruk av rengjøringsmidler.** Beskytt alltid øyne, hud og åndedrettssystemet mot rengjøringsmidler.
16. **Høytrykksvaskeren skal ikke brukes i områder der det kan være gass i luften.** En elektrisk gnist kan føre til eksplosjon.
17. For å redusere vannmengden som kommer inn i høytrykksvaskeren, bør apparatet plasseres så langt som mulig fra rengjøringsstedet ved bruk.
18. For å hindre utilsiktet start, bør spraypistolen sikres ved å låse avtrekkeren når den ikke er i bruk.
19. For å tillate fri luft sirkulasjon skal høytrykksvaskeren IKKE dekkes til under bruk.
20. **Aldri berøre, gripe eller forsøk å tildekke et nålehull eller tilsvarende vannlekkasje på høytrykkslangen.** Vannspruten HAR HØYT trykk og KAN trenge gjennom huden.
21. **Bruk kun slanger og tilbehør som er godkjente for høyere trykk enn høytrykksvaskerens, i PSI/bar.** Bruk aldri tilbehør eller komponenter fra andre produsenter.
22. Omgå aldri sikkerhetsfunksjonene på dette produktet.
23. Ikke bruk maskinen med manglende, defekte eller uautoriserte deler.
24. Spray aldri brennbare væsker eller bruk trykksatt vann i områder med brennbar støv, væske eller damp.



ADVARSEL: Denne maskinen er designet for bruk med rengjøringsmiddel som levert eller anbefalt av produsenten. Bruk av andre rengjøringsmidler eller kjemikalier kan negativt påvirke maskinens sikkerhet.



ADVARSEL: Det kan dannes aerosoler ved bruk av høytrykksvaskere. Inhalering av aerosoler kan være helsefarlig.



ADVARSEL: Høytrykkstrålen kan være farlig dersom den brukes feil. Sprayen skal ikke rettes direkte mot personer, strømførende elektrisk utstyr eller maskinen selv.



ADVARSEL: Ikke bruk maskinen innen rekkevidde av personer som ikke bruker vernetøy.



ADVARSEL: Ikke rett sprayen mot deg selv eller andre for å rengjøre klær eller sko.



ADVARSEL: Eksplosjonsfare – ikke spray brennbare væsker.



ADVARSEL: Høytrykksvaskere skal ikke brukes av barn eller personer uten opplæring.



ADVARSEL: Høytrykkslanger, fittings og koblinger er viktige for maskinens sikkerhet. Bruk kun slanger, fittings og koblinger som er anbefalt av produsenten.



ADVARSEL: For å sikre maskinens sikkerhet, bruk bare originale reservedeler fra produsenten eller slike som er anbefalt av produsenten.



ADVARSEL: Vann som renner gjennom tilbakeslagsventiler regnes ikke som drikkevann.



ADVARSEL: Maskinen skal kobles fra strømforsyningen ved rengjøring, vedlikehold og ved skifte av deler.



ADVARSEL: Ikke bruk maskinen dersom strømkabelen eller viktige deler av maskinen er skadet, f.eks. sikkerhetsutstyr, høytrykkslanger eller avtrekker.



ADVARSEL: Utilstrekkelige skjøteledninger kan være farlige. Dersom det brukes skjøteledning skal den være godkjent for utendørs bruk og kontakten skal være tørr og over bakken. Det anbefales at dette gjøres ved å bruke en kabelrulle som holder stikkkontakten mins 60 mm over bakken.



ADVARSEL: Slå alltid av strømforsyningen når du forlater maskinen uten tilsyn.



ADVARSEL: Avhengig av bruksområdet kan det brukes skjermede dyser for høytrykksvask, dette vil redusere dannelsen av vannholdig aerosol drastisk. Men ikke alle bruksområder passer for bruk av slik enhet. Dersom en skjermet dyse ikke passer som beskyttelse mot aerosol, kan det være nødvendig å bruk en pustemaske av klasse FFP 2 eller tilsvarende, avhengig av rengjøringsforholdene.

Andre personers sikkerhet

- ♦ Det er ikke meningen at dette verktøyet skal brukes av personer (inkludert barn) med reduserte fysiske, sansemessige eller mentale evner, eller personer som mangler erfaring og kunnskap, med mindre de har fått oppfølging eller instruksjoner for bruken av verktøyet fra en person som er ansvarlig for deres sikkerhet.
- ♦ Barn må holdes under oppsyn, sørg for at de ikke leker med apparatet.

Vibrasjon

Vibrasjonsemissionsverdien som er angitt under tekniske data og samsvarserklæring, er blitt målt i henhold til en standard testmetode som er angitt i EN60335-2-79, og kan brukes til å sammenligne et verktøy med et annet.

Den oppgitte vibrasjonsemissionsverdien kan også brukes til en foreløpig vurdering av eksponering.



ADVARSEL: Vibrasjonsemissionsverdien under faktisk bruk av høytrykksvaskeren kan avvike fra den oppgitte verdien avhengig av måten verktøyet blir brukt på. Vibrasjonsnivået kan øke over nivået som er oppgitt.

Under vurdering av vibrasjonseksponering for å bestemme sikkerhetstiltak som kreves i 2002/44/EF for å beskytte personer som bruker elektroverktøy regelmessig i arbeidet, skal det tas hensyn til de faktiske bruksforholdene og måten verktøyet blir brukt på. Dette gjelder alle deler av brukssyklusen – også de gangene verktøyet er slått av, når det går på tomgang, samt tiden utløseren er inne.

Etiketter på verktøyet

Følgende advarselssymboler vises på verktøyet sammen med datokoden:



Advarsel! Brukeren må lese håndboken for å redusere risikoen for personskade.



Bruk vernebriller.



Bruk hørselvern.



Maskinen passer ikke for tilkobling til drikkevannsnettet.



Garantert lydeffekt i henhold til direktiv 2000/14/EF.
EF.
BEPW1300



Garantert lydeffekt i henhold til direktiv 2000/14/EF.
EF.
BEPW1300L



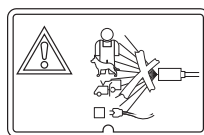
Garantert lydeffekt i henhold til direktiv 2000/14/EF.
EF.
BEPW1650



Garantert lydeffekt i henhold til direktiv 2000/14/EF.
EF.
BEPW1700



Garantert lydeffekt i henhold til direktiv 2000/14/EF.
EF.
BEPW2000



Retts aldri vannstrålen direkte mot mennesker, dyr, maskinen selv eller elektriske komponenter

Elektrisk sikkerhet



Dette verktøyet er dobbeltisolert. Jording er derfor ikke nødvendig. Kontroller alltid at strømforsyningen samsvarer med spenningen på merkeskiltet.

Spenningsfall (kun for BEPW2000)

Høyt strømforbruk i korte perioder kan føre til kortvarige spenningsfall. Under uheldige forhold når det gjelder strømtilførsel, kan annet utstyr bli berørt. Hvis systemimpedansen for strømforsyningen er mindre enn 0,378 Ω, er det lite sannsynlig at det oppstår forstyrrelser.

Funksjoner

1. Høytrykksslange
2. Spraylans
3. Dyseknapp
4. Sprayhåndtak
5. Sprayhåndtaksgrep
6. Avtrekkerlås
7. Utløser
8. Sprayvifte til blyantstråledyse
9. Slangekobling
10. Filter
11. Rengjøringsmiddelflaske
12. Rengjøringsmiddelpåfører
13. Slangekoblingsknapp
14. Dyserenser
15. Turbodyse (BEPW2000)
16. Høytrykksvaskerenhet
17. PÅ/AV - hjul
18. Håndtak
19. Uttrekkbart håndtak (BEPW1700, BEPW2000)
20. Høytrykks vannutløp
21. Strømfledningskrok
22. Strømfledning

Montering og justering



ADVARSEL: Før du utfører noen av fremgangsmåtene under, må du kontrollere at verktøyet er slått av og kontakten plugges ut.

Sette på sprayhåndtak (figur A)

1. For å koble sprayhåndtaket (4) til spraylansen (2), sett inn enden av sprayhåndtaket på enden av spraylansen.
2. Trykk inn og skru sprayhåndtaket med klokken for å låse det på plass.

Sette på høytrykkslange (figur B)

MERK: Trekk aldri i høytrykkslangen eller vannforsyningsslangen for å flytte høytrykksvaskeren. Dette kan skade slangen og/eller pumpeinntaket og/eller pumpeutløpet.

1. For å koble til høytrykkslangen (1) på sprayhåndtaket (4), trykk inn slangelåseknappen (13) mens du klikker slangeenden (23) inn i sprayhåndtaket. Løse slangelåseknappen når slangeenden er klikket på plass.
2. For å koble høytrykkslangen på høytrykksvaskeren (16), skru slangehylsen (24) på høytrykks vannutløp (20).

MERK: Vikle ut høytrykkslangen før installasjon for å unngå knekker.

MERK: Unngå at gjengene går skjevt når slangen settes på. Skjevging vil føre til lekkasje.

Sette på hageslange (figur C - J2)

MERK: Før kobling av hageslangen på høytrykksvaskeren, tapp vann gjennom hageslangen i trede sekunder for å fjerne rusk fra hageslangen.

1. For å koble høytrykkslangen på høytrykksvaskeren (16), skru filteret (10) på vanninntaket (25).
2. Koble hageslangen på slangekoblingen (9) ved å løsne skruen på hagekoblingen og feste slangen på koblingen. Koble hageslangen på slangekoblingen (9) ved å skru hageslangen på hagekoblingen.
3. Fest hageslangen (28) montert på hagekoblingen på filteret (10) til den "klikker" på.

MERK: Koble alltid fra hageslangen etter bruk.

Sette på dyser (figur D)



FARE: Fare for væskeinjeksjon. Ikke rett utgangsstrålen mot personer, ubeskyttet hus, øyne eller mot dyr. Det vil resultere i alvorlige personskader.



ADVARSEL: Flyvende objekter kan føre til alvorlige personskader. IKKE forsøk å skifte dyser når høytrykksvaskeren er i gang. Slå AV høytrykksvaskeren før du skifter dyse.

1. For å koble en dyse til spraylansen (2), trykk inn dyseknappen (3) på spraylansen og sett på passende dyse.
2. Slipp knappen for å låse dysen på plass.
3. Trekk i dysen for å sjekke at den er låst på plass.

Sprayvifte til blyantstråledyse

Justere spraymønster (figur D1, D2)

Vinkelen på sprøyen fra spraylansen kan justeres ved å rotere dysen. Dette vil variere spraymønsteret fra omtrent en 0° smal, hard stråle til en 60° bred vifte.

Et bredt viftemønster fordeles anslaget fra vannet over et stort område og fører til ypperlig rengjøring med redusert fare for skader på overflaten. Store arealer kan rengjøres raskere ved bruk av et bredt viftemønster.

En blyantsmal stråle avgir kraften fra vannet på et konsentrert område og gir stor kraft mot flaten som rengjøres. Bruk den blyantsmale strålen for rengjøring på et avgrenset område. Men bruk den forsiktig da noen flater kan få skader.

Sette på såpeflaske (figur I4)

For å koble såpeflasken (11) til sprayhåndtaket (4), sett enden av såpeflasken i sprayhåndtaket og skru såpeflasken mot klokken for å låse den på plass.

MERK: Lansen og såpeflasken kan ikke være montert samtidig.

MERK: Såpeflasken skal plasseres under løpet på sprayhåndtaket. Ikke plasser såpeflasken over løpet på plastpistolen siden dette vil føre til at det drypper såpe på løpet.

Sprayvifte til blyantstråledyse	For skånsom rengjøring av større arealer.
Turbodyse	For kraftig rengjøring. (Inkludert kun med BEPW2000-modellen)

Bruk



ADVARSEL: For å redusere risikoen for alvorlig personskade, slå av apparatet og koble fra strømkliden før du foretar eventuelle justeringer eller fjerner/installerer tilleggsutstyr eller tilbehør. Utsiktet oppstart kan føre til personskader.

Korrekt plassering av hendene (figur E)



ADVARSEL: For å redusere faren for alvorlig personskade, skal man **ALLTID** ha hendene i korrekt posisjon, som vist.



ADVARSEL: For å redusere faren for alvorlig personskade, skal du **ALLTID** holde godt fast, for å være forberedt på en plutselig reaksjon.

Korrekt håndstilling er å ha en hånd på sprayhåndtaksgrepet (5) og den andre på sprayhåndtaket (4).

Trykkrengjøring

Forberede overflaten for rengjøring

- Fjerne objekter fra arealet som kan utgjøre en fare, for eksempel barneleker eller utemøbler.
- Pass på at alle dører og vinduer er godt lukket.
- Beskytt alle planter og trær fra nærliggende områder som kan bli skadet ved sprayingen.
- Skyll først området som skal rengjøres med rent vann.
- Bruk kun rengjøringsmidler som er godkjent for høytrykksvaskere.
- Test alltid rengjøringsmiddelet på et lite synlig sted før bruk.

Forberede høytrykksvaskeren for bruk (figur J1, J2, J3, J4)



FARE: Fare for væskeinjeksjon og skrubbsår. Ved bruk av innstilling for høyt trykk, IKKE la høytrykkstrålen komme i kontakt med ubeskyttet hud, øyne eller husdyr og andre dyr. Det vil resultere i alvorlige personskader.



FORSIKTIG: Før bruk:

1. Koble hageslangen til vannforsyningen. Vann kan tas fra springen eller en annen vannkilde. Se **Selvfyllende** under Forberede høytrykksvaskeren for bruk.
2. Koble høytrykksslangen til høytrykksvaskeren og sprayhåndtaket. For anvisninger om tilkobling av høytrykksslangen til høytrykksvaskeren og sprayhåndtaket, se **Montering Høytrykksslange** under Montering og justeringer.
3. Koble hageslangen til høytrykksvaskeren. For informasjon om tilkobling av vannforsyning til høytrykksvaskeren, se **Sette på hageslange** under Montering og justeringer.
4. Kople strømkabelen til en egnet stikkontakt.

Forbedre sprayhåndtak

VIKTIG: For å starte høytrykksvaskeren, løsne avtrekkerlåsen (6) og klem deretter på avtrekkeren (7).

1. Løsne avtrekkerlåsen (6).
2. Trykke inn avtrekkeren (7). Hold avtrekkeren i 30 sekunder for å spyle luften ut av systemet.
3. Dersom det fortsatt er luft i vannstrømmen, fortsett å kjøre vann gjennom sprayhåndtaket.

Vanntilkobling



ADVARSEL: I henhold til aktuelle forskrifter skal apparatet aldri brukes koblet til drikkevannsforsyningen uten en systemseparator. Bruk en separator i samsvar med IEC 61770 type BA.



Vannet som har gått gjennom en systemseparator regnes ikke som drikkevann.

- Følg forskriftene som gjelder for det lokale vannverket.
- Alle tilkoblede slanger skal ha koblinger med pakninger.
- Pass på at forsyningsslangen er minst 12,7 mm i diameter og er armert.
- Apparatet skal aldri brukes for forsyning av drikkevann uten tilbakeslagsventil. Vann som har passert tilbakeslagsventilen regnes som udrikkelig.

Rengjøring av en flate

1. For å starte høytrykksvaskeren, dreie AV/PÅ hjulet (17) til posisjon PÅ.
2. Forsikre deg om at vannkranen er åpen eller bruk en annen vannkilde for å forsyne høytrykksvaskeren med vann.
3. Beste vinkel for vannstrålen mot flaten som skal rengjøres er 45°.
 - Sprayhodet har en tendens til å presse smusspartikler inn i overflaten.
 - Ved arbeid på vertikale overflater er det best å påføre rengjøringsmiddel fra bunnen av og jobbe seg oppover, det vil hindre at rengjøringsmiddelet renner ned og danner striper.
4. For å stoppe sprayhåndtak, slipp avtrekkeren.

MERK: For høyt pumpetrykk kan skyldes tilstoppet dyse. Slå alltid av høytrykksvaskeren og trekk ut støpset før du prøver å fjerne tilstopping i dysen.

Rengjøringsmidler (figur I1, I2, I3, I4)

For trinnene for å sette på flaske med rengjøringsmiddel/såpe, se **Sette på såpeflaske** under Montering og justeringer.

Bruk av rengjøringsmiddel kan dramatisk redusere rengjøringstiden og bidra til å fjerne vanskelige flekker. Noen rengjøringsmidler er spesielt tilpasset for høytrykksvaskere ved spesielle rengjøringsoppgaver.

Rengjøringseffekten av rengjøringsmiddelet får du ved påføring på overflaten og å la det få tid til å bryte ned smuss og skitt. Rengjøringsmidler fungerer best ved påføring med lavt trykk.

Kombinasjonen av kjemisk reaksjon og påfølgende høytrykksspuling er svært effektiv.

På vertikale overflater er det best å påføre rengjøringsmiddel fra bunnen av og jobbe seg oppover. Dette vil hindre at rengjøringsmiddelet renner ned og danner striper. Høytrykksspuling skal også foretas nedenfra og opp.

På spesielt hardnakkede flekker kan det være nødvendig å bruke en børste i kombinasjon med rengjøringsmiddel og høytrykksspyling.

Flytte høytrykksvaskeren

1. Slå AV høytrykksvaskeren (16) ved å rotere AV/PÅ hjulet (17) til AV-posisjonen og steng vannforsyningen.
2. Rett spraylansen (2) i en trygg retning og trekk i avtrekkeren (7) for å slippe av gjenværende vanntrykk.
3. Når spraylansen er helt tom, løft høytrykksvaskeren i håndtaket (18).

Stenge av

1. Slå AV høytrykksvaskeren (16) ved å rotere AV/PÅ hjulet (17) til AV-posisjonen og trekk støpselet fra stikkkontakten.
2. Slå AV vannet på springen eller koble fra den andre vannkilden.
3. Slipp av gjenværende trykk ved å trykke på avtrekkeren (7) til det ikke lenger kommer vann ut av spraylansen (2).
4. Sett på avtrekkerlåsen (6).
5. Koble hageslangen (28) fra vanninntaket (25).
6. Koble fra høytrykksslangen (1) fra høytrykks-vannkilden (20) og tøm slangen.

Selvfyllende

1. Koble inntaksslangen til høytrykksvaskeren. Se **Sette på hageslangen** under Montering og justeringer.
2. Sett den frie enden av slangen med påsatt filter på den alternative vannkilden (f.eks. bøtte, etc.)
3. Koble høytrykksslangen til sprayhåndtaket. Se **Sette på høytrykksslangen** under Montering og justeringer.
4. Koble høytrykksvaskeren til en strømkilde.
5. Starte høytrykksvaskeren, dreie AV/PÅ hjulet til posisjon PÅ.
6. Slå høytrykksvaskeren AV så snart vann kommer ut av utløpet på apparatet.
7. Koble høytrykksvaskeren fra strømkilden.
8. Monter høytrykksslangen på utløpet på pumpen.
9. Koble høytrykksvaskeren til en strømkilde.
10. Starte høytrykksvaskeren, dreie AV/PÅ hjulet til posisjon PÅ.
11. Trykk inn avtrekkeren på sprayhåndtaket for å starte rengjøringen.

Vedlikehold

BLACK+DECKER-verktøyet ditt er konstruert for å være i drift over lengre tid med et minimum av vedlikehold. For at det skal fungere tilfredsstillende over tid, er det viktig å sørge for riktig stell av verktøyet og regelmessig renhold.



Advarsel! Før du utfører vedlikehold på verktøyet.

- ♦ Rengjør ventilasjonsåpningene i verktøyet jevnlig med en myk børste eller tørr klut.
- ♦ Rengjør motorhuset regelmessig med en fuktig klut. Ikke bruk slipende eller løsemiddelbaserte rengjøringsmidler.

Rengjøring

Rengjøring av dysen (figur A, G)

Dersom dysen tilstoppes med fremmedlegemer - smuss - kan det dannes for høyt trykk. Dersom dysen blir delvis tilstoppet eller innsnevret, vil pumpetrykket pulsere. Rengjør dysen snarest med dyserensen.

1. Slå AV og trekk ut støpselet på høytrykksvaskeren (16).
2. Slå AV vannforsyningen.
3. Trekk i avtrekkeren (7) på sprayhåndtaket (4) for å slippe av gjenværende vanntrykk.
4. Ta av dysen fra spraylansen (2) ved å trykke på knappen (3).
5. Bruk dyserensen (14), fjern alt rusk fra dysen.
6. Spyl vann fra en kran eller hageslange gjennom dysen.

Rengjøring av filter (figur K)

Inspiser filteret (10 før hver bruk og rengjør det om nødvendig. Ta av filterelementet og spyl under rennende vann for å fjerne rusk og skitt.

Lagring

- Lagres på et tørt, tildekket sted ikke utsatt for frost. OPPBEVARES INNENDØRS.
- Fjern alltid alt vann fra høytrykksslangen, høytrykksvaskeren, dyser og spraylansen.
- Dysene kan lagres i apparatet som vist i figur H. **MERK:** Turbodysen (BEPW2000) eller blyant- og viftedysen kan lagres festet til lansen.
- Strømkabelen kan lagres oppkveilet og festet på kabelkroken (21) som vist i figur I.
- Høytrykksslangen (1) kan lagres oppkveilet og festet på håndtaket (18) ved hjelp av kroken og festestroppen (27) som vist i figur I.
- Sprayhåndtaket (4) kan lagres bak på apparatet ved hjelp av braketten (26) som vist i figur I.
- Spraylansen (2) kan lagres bak på apparatet ved hjelp av braketten (26) som vist i figur I.

Skifte støpsele (bare Storbritannia og Irland)

Dersom du trenger å sette på et nytt støpsele:

- ♦ Kast det gamle støpselet på en trygg måte.
- ♦ Kople den brune ledningen til den strømførende kontakten i det nye støpselet.
- ♦ Kople den blå ledningen til den andre fasen.



Advarsel! Jordingslederen skal ikke kobles til.

Følg monteringsanvisningen som medfølger støpsler av god kvalitet.

Anbefalt sikring: 13 A.

Miljøvern



Separat avfallshåndtering. Produkter og batterier merket med dette symbolet skal ikke kastes i vanlig husholdningsavfall.

Produkter og batterier inneholder materialer som kan gjenbrukes eller gjenvinnes for å redusere behovet for nye råmaterialer.

Vennligst lever elektrisk utstyr og batterier til gjenbruk i henhold til lokale retningslinjer. Mer informasjon finner du på www.2helpU.com

Tekniske data

	BEPW1300	BEPW1300L	BEPW1650	BEPW1700	BEPW2000
Type	1	1	1	1	1
Strøm	1300 W _{max (240V)}	1300W _{max (240V)}	1650W _{max (240V)}	1700 W _{max (240V)}	2000 W _{max (240V)}
Nominell flow	5,2 L/min	5,2 L/min	5,5 L/min	5,5 L/min	5,8 L/min
Maks flow	6,6 L/min	6,6 L/min	6,8 L/min	6,8 L/min	7,5 L/min
Nominelt trykk (bar/PSI/MPa)	74 / 1073 / 7,4	74 / 1073 / 7,4	80 / 1160 / 8	83,5 / 1211 / 8,35	105 / 1523 / 10,5
Maks trykk (bar/PSI/MPa)	110 / 1600 / 11	110 / 1600 / 11	120 / 1740 / 12	125 / 1810 / 12,5	150 / 2175 / 15
Vanntemperatur	50° C	50 ° C	50 ° C	50° C	50° C
Inntaksvann	Kaldt, rent vann	Kaldt, rent vann	Kaldt, rent vann	Kaldt, rent vann	Kaldt, rent vann
Garantert lydeffekt L _{WA} (dB(A))	92	92	91	91	93
Maks inngangstrykk MPa	1,0	1,0	1,0	1,0	1,0
Motorvern	IPX5	IPX5	IPX5	IPX5	IPX5
Motorstype	Børste	Børste	Børste	Børste	Børste
Pumpe	Aluminium	Aluminium	Aluminium	Aluminium	Aluminium
Selvfyllende	Ja	Ja	Ja	Ja	Ja
Slangelengde	3M	3M*	3M*	6M	6M
Integrert filter	Ja	Ja	Ja	Ja	Ja
Vekt	4,9 KG	5,3 KG	5,3 KG	6,3 KG	8,2 KG
Rekylkraft på pistolen ved maksimalt trykk	21N	21N	21N	21N	21N

*PA/KI/KIT = 6M

N&V test data:

BEPW1300:

Utslipp lydtrykksnivå L_{PA}: 77,0 dB(A);
K=3,0 dB(A)

Målt lydeffektivnivå: L_{WA}: 89,0 dB(A); K= 2,8 dB(A)
Vibrasjonsemissjonsverdi ah: under 2,5 m/s²; K=0,6 m/s²
BEPW1300L:

Utslipp lydtrykksnivå L_{PA}: 77,0 dB(A); K= 3,0 dB(A)
Målt lydeffektivnivå: L_{WA}: 89,0 dB(A); K= 2,8 dB(A)

Vibrasjonsemissjonsverdi ah: under 2,5 m/s²; K=0,6 m/s²
BEPW1650:

Utslipp lydtrykksnivå L_{PA}: 75 dB(A); K= 3 dB(A)

Målt lydeffektivnivå: L_{WA}: 88 dB(A); K= 2,2 dB(A)
Vibrasjonsemissjonsverdi ah: under 2,5m/s²; K= 0,5m/s²
BEPW1700:

Utslipp lydtrykksnivå L_{PA}: 75 dB(A); K= 3 dB(A)

Målt lydeffektivnivå: L_{WA}: 88 dB(A); K= 2,2 dB(A)
Vibrasjonsemissjonsverdi ah: under 2,5m/s²; K= 0,5m/s²
BEPW2000:

Utslipp lydtrykksnivå L_{PA}: 78 dB(A); K= 3,0 dB(A)

Målt lydeffektivnivå: L_{WA}: 91,0 dB(A); K= 1,4 dB(A)

Vibrasjonsemissjonsverdi ah: under 2,5 m/s²; K=0,6 m/s²

EU-samsvarserklæring

MASKINDIREKTIVET
DIREKTIV FOR UTENDØRSSTØY



BEPW1300, BEPW1300L, BEPW1650, BEPW1700,
BEPW2000 Høytrykksvasker

Black & Decker erklærer at disse produktene, som er beskrevet under «Tekniske data», er i samsvar med: 2006/42/EC, EN 60335-1:2012+A11:2014+A13:2017+A1:2019 +A14:2019+A2:2019+A15:2021, EN60335-2-79:2012.

2000/14/EF, vedlegg V

BEPW1300:

Målt lydeffektivnivå: L_{WA}: 89,0 dB(A); K= 2,8 dB(A)

Garantert lydeffektivnivå, L_{WA}: 92 dB(A)

BEPW1300L:

Målt lydeffektivnivå: L_{WA}: 89,0 dB(A); K= 2,8 dB(A)

Garantert lydeffektivnivå, L_{WA}: 92 dB(A)

BEPW1650:

Målt lydeffektivnivå: L_{WA}: 88 dB(A); K= 2,2 dB(A)

Garantert lydeffektivnivå, L_{WA}: 91 dB(A)

BEPW1700:

Målt lydeffektivnivå: L_{WA}: 88 dB(A); K= 2,2 dB(A)

Garantert lydeffektivnivå, L_{WA}: 91 dB(A)

BEPW2000:

Målt lydeffektivnivå: L_{WA}: 91,0 dB(A); K= 1,4 dB(A)

Garantert lydeffektivnivå, L_{WA}: 93 dB(A)

Disse produktene er også i samsvar med direktiv 2014/30/EU og 2011/65/EU.

For mer informasjon, kontakt Black & Decker på adressen under eller se baksiden av bruksanvisningen.

Undertegnede er ansvarlig for utarbeidelsen av den tekniske dokumentasjonen og gir denne erklæringen på vegne av Black & Decker.

Patrick Diepenbach

Patrick Diepenbach
General Manager, Benelux
Black and Decker,
Egide Walschaertsstraat 14-18
2800 Mechelen, Belgia
27/04/2023

Garanti

Black & Decker er trygg på kvaliteten av produktene sine og tilbyr en 24 måneders garanti fra kjøpsdato.

Denne garantierklæringen kommer i tillegg til dine lovbestemte rettigheter og er ikke i konflikt med disse.

Garantien er gyldig innen områdene Storbritannia og medlemslandene i den Europeiske Union (EU) og det Europeiske Frihandelsområdet (EFTA).

For å ta garantien i bruk må kravet være i samsvar med kjøpsbetingelsene fra Black&Decker og du må vise kjøpskvittering til forhandleren eller til et autorisert serviceverksted.

Betingelsene for Black&Deckers 2 års garanti og adressen til din nærmeste autoriserte serviceverksted kan du finne på internett under www.2helpU.com, eller ved å kontakte ditt lokale Black & Decker kontor på adressen du finner i denne bruksanvisningen.

Besøk våre nettsider på www.blackanddecker.no for å registrere ditt nye Black & Decker-produkt og for å få informasjon om nye produkter og spesialtilbud.

Tilsigtet brug

Din BLACK+DECKER trykrenser er beregnet til husholdningsbrug til rengøring af både, biler, dæk, indkørsler, griller, husbeklædning, motorcykler, terrasser og udendørs møbler.

Børn må ikke komme i kontakt med/røre værktøjet.

Overvågning er påkrævet, når uerfarne brugere anvender dette værktøj.

Værktøjet er kun beregnet til privat brug.

Sikkerhedsvejledning

VIGTIGE SIKKERHEDSINSTRUKTIONER



ADVARSEL: Ved brug af denne trykrenser skal de grundlæggende sikkerhedsmæssige forholdsregler altid følges inklusive det følgende:

- ♦ Hvis netledningen beskadiges, skal den udskiftes af producenten eller et autoriseret BLACK+DECKER-verksted, så farlige situationer undgås.
- ♦ Denne maskine er ikke beregnet til at blive anvendt af personer (herunder børn) med reducerede fysiske, sansemæssige eller mentale evner, eller mangel på erfaring og viden.
- ♦ Børn skal overvåges for at sikre, at de ikke leger med udstyret.
- ♦ Læs alle instruktioner før brug af produktet.
- ♦ For at mindske risikoen for skader er det nødvendigt at holde nøje opsyn, når et produkt bruges i nærheden af børn.
- ♦ Du skal vide, hvordan du stopper produktet og hurtigt frigiver tryk. Hav godt kendskab til kontrolfunktionerne.
- ♦ Vær forsigtig – vær opmærksom på, hvad du gør.
- ♦ Betjen ikke produktet, når du er træt eller påvirket af alkohol eller stoffer.
- ♦ Hold betjeningsområdet frit for alle personer og dyr.
- ♦ Undlad at række for langt eller at stå på en ustabil støtte. Hold hele tiden en god fodstilling og balance.
- ♦ Følg vedligeholdelsesinstruktionerne, der er angivet i vejledningen.
- ♦ Tilslutningen til den elektriske forsyning skal udføres af en kvalificeret elektriker og være i overensstemmelse med IEC 60364-1. Det anbefales, at den elektriske forsyning til denne maskine enten inkluderer en fejlstrømsenhed, der afbryder forsyningen, hvis lækstrømmen til jord overstiger 30 mA i 30 ms, eller en enhed, der bekræfter jordkredsløbet.
- ♦ Under ibrugtagning, sikker betjening, håndtering, transport og opbevaring af maskinen under hensyntagen til dens vægt.



ADVARSEL: Risiko for injektion eller personskade – ret ikke udledningsstrømmen mod personer eller dyr.



ADVARSEL: Læs hele denne vejledning, før du forsøger at samle, betjene eller installere produktet.



ADVARSEL: Denne enhed er designet til specifikke anvendelser. Den må ikke modificeres og/eller bruges til andre formål end det, den er designet til.

BEMÆRK: Opbevar altid din trykrenser et sted, hvor temperaturen ikke falder til under 4 °C (40 °F).

Frostskader er ikke dækket af garantien.

1. Rør ikke ved stik eller kontakt med våde hænder.
2. **Undgå utilsigtede igangsætninger.** Ryk afbryderen på enheden til FRA-position, før du sætter ledningen i stikkontakter eller trækker den ud.
3. Vandspray må aldrig rettes mod elektriske ledninger eller direkte mod selve trykrenseren, da der ellers kan opstå dødeligt elektrisk stød.
4. **Bær aldrig din trykrenser i ledningen.** Træk ikke i ledningen for at frakoble den fra kontakten.
5. For at forhindre skader må ledningen ikke knuses, placeres ved siden af skarpe genstande eller i nærheden af en varmekilde.
6. **Tjek netledningerne før brug.** Beskadigede ledninger kan reducere trykrenserens ydeevne eller forårsage et dødeligt elektrisk stød
7. **Den smalle præcise strøm er meget kraftig.** Den anbefales ikke til brug på malede overflader, træoverflader eller genstande fastgjort med en klæbende bagside.
8. Hold betjeningsområdet frit for alle personer og dyr.
9. Brug altid begge hænder, når du betjener trykrenseren, for at bevare fuldstændig kontrol over pinden.
10. **Rør ikke ved dysen eller vandsprayeren under drift.** Placer aldrig hænderne foran dysen.
11. **Bær sikkerhedsbriller under betjening.** Bær beskyttende tøj og fodtøj for at beskytte mod utilsigtet sprøjtning.
12. Tag stikket ud af stikkontakten, når den ikke er i brug, og inden højtryksslangen tages af.
13. **Bind aldrig knuder, og knæk aldrig højtryksslangen, da det kan medføre skader. Efterse højtryksslangen regelmæssigt.**
Udskift slangen med det samme, hvis den er beskadiget, slidt eller viser tegn på revner, bobler, huller eller anden lækage.
Tag aldrig fat i en højtryksslange, der er utæt eller beskadiget.
14. **Undlad at betjene eller opbevare dette produkt i temperaturer under 4 °C (40 °F).** Frostskader er ikke dækket af garantien.
15. **Overhold omhyggeligt alle kemiske instruktioner og advarsler før brug. Brug kun godkendte trykrenser. Brug ikke blegemiddel, klor eller andre rengøringsmidler, der indeholder syre. Følg altid producentens anbefalinger på etiketten for korrekt**

brug af rengøringsmidler. Beskyt altid øjne, hud og åndedrætssystem mod rengøringsmidler.

16. **Trykrenseren bør ikke bruges i områder, hvor der kan være gasdampe.** En elektrisk gnist kan forårsage en eksplosion eller brand.
17. For at minimere mængden af vand, der kommer ind i trykrenseren, skal enheden placeres så langt som muligt fra rengøringsstedet under drift.
18. For at forhindre utilsigtet udledning skal sprøjtepistolen sikres ved at låse triggeren, når den ikke er i brug.
19. For at give mulighed for fri luftcirkulation bør trykrenseren IKKE tildækkes under drift.
20. **Du må aldrig røre, tage fat i eller forsøge at dække et nåle hul eller lignende vandlækage på højtryksslangen.** Vandstrømmen ER under højt tryk og VIL trænge igennem huden.
21. **Brug kun slanger og tilbehør, der er klassificeret til højere tryk end din trykrenseres PSI/Bar.** Brug aldrig andre producenters tilbehør eller komponenter.
22. Forbigå aldrig dette produkts sikkerhedsfunktioner.
23. Betjen ikke maskinen med manglende, ødelagte eller uautoriserede dele.
24. Sprøjt aldrig brændbare væsker, og brug aldrig trykrenseren på områder, der indeholder brændbart støv, væske eller dampe.



ADVARSEL: Denne maskine er designet til brug med det rengøringsmiddel, der leveres eller anbefales af producenten. Brug af andre rengøringsmidler eller kemikalier kan have en negativ indvirkning på maskinens sikkerhed.



ADVARSEL: Under brug af højtryksrenseren kan der blive dannet aerosoler. Det kan være sundhedsfarligt at indånde aerosoler.



ADVARSEL: Højtryksstråler kan være farlige, hvis de udsættes for misbrug. Strålen må ikke rettes mod personer, strømførende elektrisk udstyr eller selve maskinen.



ADVARSEL: Brug ikke maskinen inden for rækkevidde af personer, medmindre de bærer beskyttelsestøj.



ADVARSEL: Ret ikke strålen mod dig selv eller andre for at rengøre tøj eller fodtøj.



ADVARSEL: Risiko for eksplosion – Sprøjt ikke brændbare væsker.



ADVARSEL: Højtryksrenseren må ikke bruges af børn eller uuddannet personale.



ADVARSEL: Højtryksslanger, fittings og koblinger er vigtige for maskinens sikkerhed. Brug kun slanger, fittings og koblinger anbefalet af producenten.



ADVARSEL: For at sikre maskinens sikkerhed må du kun bruge originale reservedele fra producenten, eller som er godkendt af producenten.



ADVARSEL: Vand, der er strømmet gennem tilbageløbssikringer, anses for at være ikke-drikkeligt.



ADVARSEL: Maskinen skal afbrydes fra sin strømkilde under rengøring eller vedligeholdelse, og når der udskiftes dele.



ADVARSEL: Brug ikke maskinen, hvis en netledning eller vigtige dele af maskinen er beskadiget, f.eks. sikkerhedsanordninger, højtryksslanger, triggerpistol.



ADVARSEL: Utilstrækkelige forlængerledninger kan være farlige. Hvis der bruges en forlængerledning, skal den være velegnet til udendørs brug, og tilslutningen skal holdes tør og væk fra jorden. Det anbefales, at dette opnås ved hjælp af en ledningsrulle, som holder stikkontakten mindst 60 mm over jorden.



ADVARSEL: Sluk altid for netforsyningen, når du efterlader maskinen uden opsyn.



ADVARSEL: Afhængigt af anvendelsen kan der bruges afskærmede dyser til højtryksrensning, hvilket vil reducere udledningen af vandholdige aerosoler dramatisk. Det er dog ikke alle anvendelser, der tillader brugen af en sådan enhed. Hvis afskærmede dyser ikke kan anvendes til beskyttelse mod aerosoler, kan en åndedrætsmaske i klasse FFP 2 eller tilsvarende være nødvendig, afhængigt af rengøringsmiljøet.

Andres sikkerhed

- Dette værktøj må ikke bruges af personer (herunder børn) med nedsatte fysiske, sensoriske eller mentale evner eller manglende erfaring og viden, medmindre det sker under overvågning, eller der gives instruktion i brugen af værktøjet af en person, der er ansvarlig for deres sikkerhed.
- Børn skal overvåges for at sikre, at de ikke leger med udstyret.

Vibration

De angivne værdier for udsendelse af vibration anført under de tekniske data og overensstemmelseserklæringen er målt i henhold til standardtestmetoden i EN60335-2-79 og kan bruges til at sammenligne ét værktøj med et andet. Den angivne vibrationsmissionsværdi kan også bruges i forbindelse med en foreløbig vurdering af eksponeringen.



ADVARSEL: Vibrationsemissionsværdien i forbindelse med den faktiske anvendelse af trykrenseren kan afvige fra den angivne værdi afhængig af metoden, hvormed værktøjet anvendes. Vibrationsniveauet kan overstige det angivne niveau.

Når vibrationseksponeringen evalueres for at specificere sikkerhedsforanstaltninger, som er påkrævet i 2002/44/EF til beskyttelse af personer, der jævnligt udfører arbejde med elværktøj, skal der tages hensyn til de faktiske betingelser under brugen, og måden værktøjet bruges på, herunder alle arbejdsrytters afsnit, f.eks. perioder, hvor værktøjet er slukket, og hvor det kører i tomgang, tillige med startperioderne.

Mærkatér på værktøjet

Værktøjet er forsynet med følgende advarselssymboler samt datokoden:



Advarsel! Brugeren skal læse brugervejledningen for at reducere risikoen for kvæstelser.



Bær beskyttelsesbriller.



Bær høreværn.



Maskine ikke velegnet til at blive sluttet til drikkevandsforsyningen.



Direktiv 2000/14/EC garanteret lydstyrke. BEPW1300



Direktiv 2000/14/EC garanteret lydstyrke. BEPW1300L



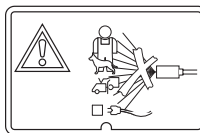
Direktiv 2000/14/EC garanteret lydstyrke. BEPW1650



Direktiv 2000/14/EC garanteret lydstyrke. BEPW1700



Direktiv 2000/14/EC garanteret lydstyrke. BEPW2000



Ret aldrig vandstrålen mod mennesker, dyr, maskinen eller elektriske komponenter

Elektricitet og sikkerhed



Dette værktøj er dobbelt isoleret. Derfor er jordledning ikke nødvendig. Kontrollér altid, at strømforsyningen svarer til spændingen på mærkepladen.

Spændingsfald (kun for BEPW2000)

Indkoblingsstrømspidser forårsager kortvarige spændingsfald. Under ugunstige strømforsyningsforhold kan andet udstyr påvirkes. Hvis strømforsyningens systemimpedans er lavere end 0,378 Ω, opstår der normalt ikke forstyrrelser.

Funktioner

1. Højtryksslange
2. Sprøjtestang
3. Dyseknap
4. Sprøjtehåndtag
5. Sprøjtehåndtagsgreb
6. Triggerlås
7. Udløser
8. Sprøjteblæser til nåledyse
9. Slangeforbindelsesstykke
10. Filter
11. Sæbeflaske
12. Sæbeflaskeapplikator
13. Slangetilslutningsknap
14. Dyserengøringsværktøj
15. Turbodyse (BEPW2000)
16. Trykreenserenhed
17. TIL/FRA-knap
18. Håndtag
19. Tilbagetrækkelig håndtag (BEPW1700, BEPW2000)
20. Højtrykvandudtag
21. Ledningsholdekrog
22. Netledning

Samling og justering



ADVARSEL: Sørg for at værktøjet er afbrudt, og at stikket er taget ud, inden nogle af de følgende funktioner foretages.

Påmontering af sprøjtehåndtag (fig. A)

1. For at forbinde sprøjtehåndtaget (4) til sprøjtestangen (2) skal du indsætte enden af sprøjtehåndtaget på enden af sprøjtestangen.
2. Tryk ind og drej sprøjtehåndtaget mod uret for at låse det på plads.

Montering af højtryksslange (fig. B)

BEMÆRK: Træk aldrig i højtryksslangen eller vandforsyningsslangen for at flytte højtrykreenser. Dette kan beskadige slange og/eller pumpeindløb og/eller pumpeudløb.

1. For at slutte højtryksslangen (1) til sprøjtehåndtaget (4) skal du trykke ned på slangetilslutningsknappen (13), mens du klikker slangeenden (23) ind i sprøjtehåndtaget. Slip slangetilslutningsknappen, når slangeenden er klikket på plads.
2. For at slutte højtryksslangen til trykreenserenheden (16) skal du skrue slangemanchetten (24) på højtrykvandudtaget (20).
BEMÆRK: Rul højtryksslangen ud før installation for at forhindre knæk.
BEMÆRK: Undgå skæv fastskruining ved installation af slangen. Skæv fastskruining vil forårsage lækager.

Påmontering af haveslange (fig. C-J2)

BEMÆRK: Inden haveslangen sluttes til trykreenserenheden, skal du lade vand løbe gennem haveslangen i tredive sekunder for at fjerne eventuelt snavs fra indersiden af haveslangen.

1. For at slutte haveslangen til trykreenserenheden (16) skal du skrue filteret (10) på vandindtaget (25).
2. Slut haveslangen til slangeforbindelsesstykket (9) ved at løsne skruen på haveforbindelsesstykket og monter slange på forbindelsesstykket. Slut haveslangen til slangeforbindelsesstykket (9) ved at skrue haveslangen til haveforbindelsesstykket.
3. Sæt haveslangen (28), der er monteret på haveforbindelsesstykket, på filteret (10), indtil den "klikker".
BEMÆRK: Frakobl altid haveslangen efter brug.

Påmontering af dyser (fig. D)



FARE: Risiko for væskeindsprøjtning. Affyr ikke vandstrøm mod personer, ubeskyttet hud, øjne eller kæledyr eller andre dyr. Det vil resultere i alvorlig personskade.



ADVARSEL: Flyvende genstande kan forårsage alvorlig personskade. Forsøg IKKE at udskifte mundstykker, mens trykreenser er i gang. Slå trykreenserenheden FRA, inden du udskifter mundstykker.

1. For at forbinde en dyse til sprøjtestangen (2) skal du trykke ned på dyseknapen (3) på sprøjtestangen og indsætte den passende dyse.
2. Slip knappen for at låse mundstykket på plads.
3. Træk godt i dysen for at sikre, at dysen er låst på plads.

Sprøjteblæser til nåledyse

Justering af blæsemønster (fig. D1, D2)

Vinklen af den spray, der kommer ud af sprøjtestangen, kan justeres ved at rotere dysen. Dette vil variere sprøjtemønstret fra en smal strøm med høj indvirkning på ca. 0 ° til en bred blæserspray på 60 °.

Et bredt blæsemønster fordeler vandets indvirkning over et større område, hvilket resulterer i fremragende rensning med reduceret risiko for overfladeskader. Store overflader kan rengøres hurtigere ved hjælp af et bredt blæsemønster.

En smal nåledysestråle fordeler vandets påvirkning på et koncentreret område, hvilket resulterer i en høj indvirkningskraft på rensesoverfladen. Brug en smal nåledysestråle til dybrensning på et koncentreret område. Brug den dog forsigtigt, da den kan beskadige nogle overflader.

Påmontering af sæbeflaske (fig. I4)

For at forbinde sæbeflasken (11 til sprøjtehandtaget (4 skal du indsætte enden af sæbeflasken i sprøjtehandtaget og dreje sæbeflasken mod uret for at låse den fast.

BEMÆRK: Stangen og sæbeflasken kan ikke installeres på samme tid.

BEMÆRK: Sæbeflasken skal placeres under sprøjtehandtagets cylinder. Placer ikke sæbeflasken over plastpistolens cylinder, da dette vil føre til, at der drypper sæbe på cylindrerne.

Sprøjteblæser til nåledyse	Til skånsom bred områderengøring.
Turbodyse	Til slibende rengøring. (Kun inkluderet med modellen BEPW2000)

Betjening



ADVARSEL: For at reducere risikoen for personskade skal du slukke for enheden og afbryde den fra strømkilden, inden der foretages justeringer, eller der fjernes/monteres tilbehør eller ekstraudstyr. En utilsigtet start kan forårsage kvæstelser.

Korrekt håndposition (fig. E)



ADVARSEL: For at reducere risikoen for alvorlig personskade, skal du **ALTDIG** anvende den korrekte håndposition som vist.



ADVARSEL: For at reducere risikoen for alvorlig personskade skal du **ALTDIG** holde godt fast i tilfælde af en pludselig reaktion.

Det er nødvendigt med én hånd på sprøjtehandtagsgrebet (5 og den anden hånd på sprøjtehandtaget (4 .

Højtryksrensning

Forberedelse af overfladen til rengøring

- Fjern genstande fra området, som kan udgøre en fare, såsom børstelegetøj eller udendørs møbler.
- Sørg for, at alle døre og vinduer er tæt lukkede.
- Beskyt alle planter og træer i det tilstødende område med et stykke stof, og sørg for, at de ikke bliver skadet af oversprøjtning.
- Forskyl rengøringsområdet med ferskvand.
- Brug kun rengøringsmidler, der er beregnet til trykrensere.
- Test altid rengøringsmiddel på et usynligt område inden brug.

Forberedelse af trykrensenhed til brug (fig. J1, J2, J3, J4)



FARE: Risiko for væskeindsprøjtning og flænger. Når du bruger højtryksindstillingen må du IKKE lade højtrykssprayen komme i kontakt med ubeskyttet hud, øjne eller med kæledyr eller andre dyr. Det vil resultere i alvorlig personskade.



FORSIGTIG: Inden drift:

1. Slut haveslangen til en vandforsyning. Vand kan forsynes fra en vandhane eller en anden vandforsyning. Se **Selvspådnning** under Forberedelse af trykrensenhed til brug.
2. Slut højtryksslangen til trykrenseren og sprøjtehandtaget. Få instruktioner til tilslutning af højtryksslangen til trykrenseren og sprøjtehandtaget i **Påmontering af Højtryksslange** under Montering og justering.
3. Slut haveslangen til trykrenseren. Få instruktioner til at slutte vandforsyningen til trykrenseren under **Påmontering af haveslange** under Samling og justeringer.
4. Sæt strømledningen i en passende strømkilde.

Forberedelse af sprøjtehandtag

VIGTIGT: Før du tænder for trykrensenheden skal du frakoble triggerlåsen (6 og trykke på triggeren (7 .

1. Deaktiver triggerlåsen (6).
2. Tryk på triggeren (7). Hold triggeren i 30 sekunder for at tømme systemet for luft.
3. Hvis der stadig findes luft i vandstrømmen, skal du fortsætte med at lade vand løbe gennem sprøjtehandtaget.

Vandtilslutning



ADVARSEL: I henhold til de gældende bestemmelser må apparatet aldrig bruges på drikkevandsnettet uden en systemseparator.



Brug en systemseparator i henhold til IEC 61770 type BA.

Vand, der strømmer gennem en systemseparator, anses ikke for at være drikkevand.

- Overhold dit vandforsyningssselskabs regler.
- Alle slanger, der tilsluttes, skal have korrekt forseglede samlinger.
- Sørg for, at forsyningsslangen er mindst 12,7 mm i diameter og er forstærket.
- Apparatet må aldrig bruges på drikkevandsforsyningen uden en tilbageløbsventil. Vand, der har passeret tilbageløbsventilen, anses for ikke at kunne drikkes.

Rengøring af en overflade

1. For at starte trykrenseren skal du rotere TIL/FRA-knappen (17) til TIL-positionen.
2. Bekræft, at vandhanen er åben, eller brug en anden vandkilde, så der tilføres vand til trykrenserenheden.
3. Den bedste vinkel til at sprøjte vand mod en rengøringsoverflade er 45°.
 - Når der sprøjtes direkte på overfladen, er der tendens til, at der lejes snavsepartikler i overfladen.
 - Når der arbejdes på lodrette overflader, er det bedst at anvende rengøringsmiddel fra bunden og arbejde sig opad, hvilket vil forhindre, at vaskemidlet glider ned og forårsager striber.
4. Slip triggeren for at deaktivere sprøjtehåndtaget.

BEMÆRK: Et for højt pumpetryk kan være resultatet af et tilstoppet mundstykke. Slå altid trykrenserenheden FRA, og frakobl enheden, inden du forsøger at fjerne blokeringen i et mundstykke.

Rengøringsmidler (fig. I1, I2, I3, I4)

Se trin til påmontering af rengøringsmiddel-/sæbeflasken i **Påmontering af sæbeflaske** under Samling og justeringer.

Brugen af rengøringsmidler kan reducere rengøringstiden drastisk og hjælpe med at fjerne vanskelige pletter. Nogle rengøringsmidler er blevet tilpasset til brug med en trykrenser til specifikke rengøringsopgaver.

Rengøringsmidlernes effekt kommer fra at påføre dem på en overflade og give kemikalierne tid til at nedbryde snavs og snavs. Rengøringsmidler virker bedst, når de påføres ved lavt tryk.

Kombinationen af kemisk virkning og højtryksrensning er meget effektiv.

På lodrette overflader skal du påføre rengøringsmidlet fra neden og arbejde dig opad. Dette forhindrer, at rengøringsmidlet glider ned og forårsager striber.

Højtryksrensning bør også foretages fra neden og op.

På særligt genstridige pletter kan det være nødvendigt at bruge en børste i kombination med rengøringsmidler og højtryksrensning.

Flytning af trykrenseren

1. Slå trykrenserenheden (16) FRA ved at dreje TIL/FRA-knappen (17) til FRA-positionen og derefter slå vandforsyningen FRA.
2. Ret sprøjtestangen (2) i en sikker retning, og træk i triggeren (7) for at frigive det resterende vandtryk.
3. Når sprøjtestangen er helt tom, skal du løfte trykrenseren i håndtaget (18).

Nedlukning

1. Slå trykrenserenheden (16) FRA ved at dreje TIL/FRA-knappen (17) til FRA-positionen, og træk ledningen ud af stikkontakten.
2. LUK for vandet ved vandhanen, eller afbryd forbindelsen til enhver anden vandkilde.
3. Tøm resttrykket ved at trykke på triggeren (7), indtil der ikke kommer mere vand ud af sprøjtestangen (2).
4. Aktiver sprøjte triggerlåsen (6).
5. Frakobl haveslangen (28) fra vandindtaget (25).
6. Kobl højtryksslangen (1) fra højtryk vandudløbet (20) og tøm slangen.

Selvspædning

1. Slut indløbsslangen til trykrenseren. Se **Påmontering af Haveslange** under Montering og justering.
2. Placer den ledige ende af slangen med filteret fastgjort i den alternative vandkilde (f.eks. spand osv.)
3. Slut højtryksslangen til sprøjtehåndtaget. Se **Påmontering af Højtryksslange** under Montering og justering.
4. Slut trykrenserenheden til en strømkilde.
5. Aktiver trykrenseren ved at rotere TIL/FRA-knappen til TIL-positionen.
6. Slå trykrenseren FRA, så snart vandet sprøjter ud af enhedens udløbsrør.
7. Afbryd trykrenserenheden fra strømkilden.
8. Monter højtryksslangen på pumpens udløbsrør.
9. Slut trykrenserenheden til en strømkilde.
10. Aktiver trykrenseren ved at rotere TIL/FRA-knappen til TIL-positionen.
11. Aktiver sprøjtehåndtagets trigger for at starte rengøringsarbejde.

Vedligeholdelse

Dit BLACK+DECKER-værktøj er beregnet til brug gennem lang tid med et minimum af vedligeholdelse. Vedvarende tilfredsstillende funktion er afhængig af, om apparatet plejes korrekt og rengøres regelmæssigt.



Advarsel! Inden udførelse af vedligeholdelsesarbejde på værktøjet.

- ♦ Rengør regelmæssigt værktøjets ventilationshuller med en blød børste eller en tør klud.

- ♦ Rengør med jævne mellemrum motorhuset med en fugtig klud. Der må ikke bruges skuremidler eller opløsningsmidler.

Rengøring

Dyserengøring (fig. A, G)

Hvis mundstykket bliver tilstoppet med fremmedlegemer, såsom snavs, kan der blive udviklet højt tryk. Hvis mundstykket bliver delvist tilstoppet eller begrænset, pulserer pumpetrykket. Rengør straks dysen med dyserenseren.

1. Slå trykreenserheden (16) FRA og træk stikket ud.
2. LUK for vandforsyningen.
3. Træk i triggeren (7) på sprøjtehandtaget (4) for at frigive eventuelt vandtryk.
4. Fjern dysen fra sprøjtestangen (2) ved at trykke ned på knappen (3).
5. Brug dyserengøringsværktøjet (14) til at fjerne evt. rester fra dysen.
6. Lad vand fra en vandhane eller haveslange løbe gennem mundstykket.

Filterrengøring (fig. K)

Efterse filteret (10 før hver brug og rengør efter behov. Fjern filterelementet og hold det under rindende rent vand for at fjerne evt. rester.

Opbevaring

- Opbevares et tørt, overdækket sted over frysepunktet. **OPBEVAR INDENDØRS.**
- Tøm altid vandet fuldstændigt fra højtryksslangen, trykreenserheden, dyserne og sprøjtestangen.
- Dyser kan opbevares i enheden, som vist i fig. H. **BEMÆRK:** Turboen (BEPW2000) eller nåledyserne kan opbevares i stangen.
- Netledningen kan opbevares sammenrullet og sikret med ledningsholdekrogen (21) som vist i fig. I.
- Højtryksslange (1) kan opbevares sammenrullet og sikret på håndtaget (18) ved hjælp af klinkehagestroppen (27) som vist i fig. I.
- Sprøjtehandtaget (4) kan opbevares på bagsiden af enheden ved hjælp af beslaget (26) som vist i fig. I.
- Sprøjtestangen (2) kan opbevares på bagsiden af enheden ved hjælp af beslaget (26) som vist i fig. I.

Udskiftning af netstik (kun Storbritannien og Irland)

Hvis et nyt lysnetstik skal monteres:

- ♦ Det gamle stik skal bortskaffes på en sikker måde.
- ♦ Tilslut den brune ledning til polklemmen i det nye stik.
- ♦ Tilslut den blå ledning til den neutrale klemme.



Advarsel! Der skal ikke tilsluttes til jordklemmen. Følg de monteringsinstruktioner, der følger med stik af god kvalitet.

Anbefalet sikring: 13 A.

Miljøbeskyttelse



Særskilt bortskaffelse. Produkter og batterier mærket med dette symbol må ikke bortskaffes sammen med normalt husholdningsaffald.

Produkter og batterier indeholder materialer, der kan genindvindes eller genanvendes, hvilket reducerer efterspørgslen efter råvarer.

Genbrug venligst elektriske produkter og batterier i henhold til lokale bestemmelser. Yderligere informationer findes på

www.2helpU.com

Tekniske data

	BEPW1300	BEPW1300L	BEPW1650	BEPW1700	BEPW2000
Type	1	1	1	1	1
Strøm	1300 W _{max (2000)}	1300W _{max (2000)}	1650W _{max (2000)}	1700 W _{max (2000)}	2000 W _{max (2000)}
Nominel flowhastighed	5,2 L/min	5,2 L/min	5,5 L/min	5,5 L/min	5,8 L/min
Maks. flowhastighed	6,6 L/min	6,6 L/min	6,8 L/min	6,8 L/min	7,5 L/min
Nominel tryk (Bar/PSIMPa)	74 / 1073 / 7,4	74 / 1073 / 7,4	80 / 1160 / 8	83,5 / 1211 / 8,35	105 / 1523 / 10,5
Maks. tryk (Bar/PSIMPa)	110 / 1600 / 11	110 / 1600 / 11	120 / 1740 / 12	125 / 1810 / 12,5	150 / 2175 / 15
Vandtemperatur	50° C	50° C	50° C	50° C	50° C
Indførsel	Koldt rent vand	Koldt rent vand	Koldt rent vand	Koldt rent vand	Koldt rent vand
Garanteret lydeffektivniveau L _{WA} dB(A)	92	92	91	91	93
Maksimalt indløbstryk MPa	1,0	1,0	1,0	1,0	1,0
Motorbeskyttelse	IPX5	IPX5	IPX5	IPX5	IPX5
Motorstype	Børstet	Børstet	Børstet	Børstet	Børstet
Pumpe	Aluminium	Aluminium	Aluminium	Aluminium	Aluminium
Selvspændning	Ja	Ja	Ja	Ja	Ja
Slangelængde	3M	3M*	3M*	6M	6M
Indbygget filter	Ja	Ja	Ja	Ja	Ja
Vægt	4,9 KG	5,3 KG	5,3 KG	6,3 KG	8,2 KG
Pistolens frastødende kraft til det maksimale tryk	21N	21N	21N	21N	21N

*PA/KI/KIT = 6M

N&V testdata:

BEPW1300:

Emissionslydtrykniveau L_{PA}: 77,0 dB(A);

K= 3,0 dB(A)

Målt lydeffektivniveau: L_{WA}: 89,0 dB(A); K=2,8 dB(A)

Værdi for udsendelse af vibration ah: mindre end 2,5 m/s²;

K=0,6 m/s²

BEPW1300L:Emissionslydtrykniveau L_{PA} : 77,0 dB(A); K=3,0 dB(A)Målt lydeffektniveau: L_{WA} : 89,0 dB(A); K=2,8 dB(A)Værdi for udsendelse af vibration ah: mindre end 2,5 m/s²;K=0,6 m/s²**BEPW1650:**Emissionslydtrykniveau L_{PA} : 75 dB(A); K= 3 dB(A)Målt lydeffektniveau: L_{WA} : 88dB(A); K= 2,2dB(A)Værdi for udsendelse af vibration ah: mindre end 2,5m/s²;K=0,5m/s²**BEPW1700:**Emissionslydtrykniveau L_{PA} : 75 dB(A); K= 3 dB(A)Målt lydeffektniveau: L_{WA} : 88dB(A); K= 2,2dB(A)Værdi for udsendelse af vibration ah: mindre end 2,5m/s²;K=0,5m/s²**BEPW2000:**Emissionslydtrykniveau L_{PA} : 78 dB(A); K=3,0 dB(A)Målt lydeffektniveau: L_{WA} : 91,0 dB(A); K=1,4 dB(A)Værdi for udsendelse af vibration ah: mindre end 2,5 m/s²;K=0,6 m/s²Det garanterede lydtrykniveau L_{WA} : 93 dB(A)

Disse produkter er endvidere i overensstemmelse med direktiv 2014/30/EU og 2011/65/EU.

Kontakt Black & Decker på nedenstående adresse eller se vejledningens bagside for at få yderligere oplysninger.

Undertegnede er ansvarlig for udarbejdelsen af de tekniske data og fremsætter denne erklæring på vegne af Black & Decker.

Patrick Diepenbach

Patrick Diepenbach
 General Manager, Benelux
 Black & Decker,
 Egide Walschaertsstraat 14-18
 2800 Mechelen, Belgien
 27/04/2023

EF-overensstemmelseserklæring

MASKINDIREKTIV
DIREKTIV OM STØJEMISSION FRA MASKINER TIL
UDENDØRS BRUG



BEPW1300, BEPW1300L, BEPW1650, BEPW1700,
 BEPW2000 Trykrenser

Black & Decker erklærer, at produkterne beskrevet under
 "Tekniske data" er i overensstemmelse med:

2006/42/EF, EN 60335-1:2012+A11:2014+A13:2017+A1:2019
 +A14:2019+A2:2019+A15:2021, EN60335-2-79:2012.
 2000/14/EF, bilag V

BEPW1300:Målt lydeffektniveau: L_{WA} : 89,0 dB(A); K=2,8 dB(A)Det garanterede lydtrykniveau L_{WA} : 92 dB(A)**BEPW1300L:**Målt lydeffektniveau: L_{WA} : 89,0 dB(A); K=2,8 dB(A)Det garanterede lydtrykniveau L_{WA} : 92 dB(A)**BEPW1650:**Målt lydeffektniveau: L_{WA} : 88dB(A); K= 2,2dB(A)Det garanterede lydtrykniveau L_{WA} : 91 dB(A)**BEPW1700:**Målt lydeffektniveau: L_{WA} : 88dB(A); K= 2,2dB(A)Det garanterede lydtrykniveau L_{WA} : 91 dB(A)**BEPW2000:**Målt lydeffektniveau: L_{WA} : 91,0 dB(A); K=1,4 dB(A)**Garanti**

Black & Decker er overbevist om den gode kvalitet af sine produkter og giver forbrugerne en garanti på 24 måneder fra købsdatoen.

Garantien er et tillæg til forbrugerens lovmæssige rettigheder og påvirker ikke disse.

Garantien er gyldig inden for Storbritannien, medlemsstaterne af Den Europæiske Union og Det Europæiske Frihandelsområde.

Når du gør krav på garantien, skal kravet være i overensstemmelse med Black&Decker vilkår og betingelser, og du skal indsende dokumentation for købet til sælgeren eller til en autoriseret reparatør.

Vilkår og betingelser for Black & Decker 2 års garanti og placeringen af dit nærmeste autoriserede serviceværksted kan fås på internettet på www.2helpU.com, eller ved at kontakte dit lokale Black & Decker kontor på den adresse, der er angivet i denne vejledning.

Besøg venligst vores websted www.blackanddecker.co.uk for at registrere dit nye Black & Decker produkt og modtage opdateringer om nye produkter og specielle tilbud.

Käyttötarkoitus

BLACK+DECKER -painepesuri on tarkoitettu kotitalouskäyttöön veneiden, autojen, kansiin/taisojen, ajoväylien, grillien, rakennusten sivustojen, moottoripyörien, terassien ja ulkokalusteiden pesemiseen.

Älä anna lasten koskea laitteeseen. Kokemattomat henkilöt saavat käyttää tätä laitetta vain valvotusti.

Tämä työkalu on tarkoitettu vain yksityiskäyttöön.

Turvallisuushjeet

TÄRKEÄT TURVALLISUUSHJEET



VAROITUS: Kun käytät tätä painepesuria, tavallisia varotoimia tulee aina noudattaa, mukaan lukien seuraavat:

- Jos virtajohto vahingoittuu, sen vaihtaminen on turvallisuussyistä jätettävä valmistajan tai valtuutetun BLACK+DECKER-huollon tehtäväksi.
- Tätä konetta ei ole tarkoitettu sellaisten henkilöiden käyttöön (lapset mukaan lukien), joilla on fyysisiä, aistillisia tai henkisiä puutteita tai puutteellinen kokemus ja tuntemus.
- Lapsia tulee valvoa ja varmistaa, että he eivät leiki laitteella.
- Lue kaikki ohjeet ennen tuotteen käyttämistä.
- Jotta henkilövahingot vältettäisiin, tarkka valvonta on tarpeen tuotetta käytettäessä lasten lähellä.
- Opettele pysäyttämään tuote ja poistamaan paine nopeasti. Tutustu säätimiin huolellisesti.
- Ole aina valpas – keskity työhön.
- Älä käytä tuotetta väsyneenä tai alkoholin tai huumeiden vaikutuksen alaisena.
- Varmista, että kaikki henkilöt ja eläimet pysyvät pois toiminta-alueelta.
- Älä kurkottele liikaa tai seiso epävakaailla tuella. Huolehdi siitä, että sinulla on koko ajan tukeva jalansija ja hyvä tasapaino.
- Noudata ohjekirjassa annettuja huolto-ohjeita.
- Sähkönsyöttöliitännät tulee antaa pätevän sähköasentajan vastuulle ja ne on tehtävä IEC 60364-1-standardin mukaisesti. Tämän koneen sähkönsyötössä on suositeltavaa olla joko vikavirtasuojia, joka katkaisee virransyötön, jos vuotovirta maahan ylittää 30 mA 30 ms:n ajan, tai maadoituspiiriä suojaava laite.
- Käyttönoton aikana koneen turvallinen käyttö, käsittely, kuljetus ja varastointi sen paino huomioon ottaen.



VAROITUS: Ruiskutus- tai loukkaantumisvaara – älä suuntaa ulosvirtausta ihmisiin tai eläimiin.



VAROITUS: Lue tämä ohjekirja kokonaisuudessaan ennen kuin yrität koota, käyttää tai asentaa tuotetta.



VAROITUS: Tämä kone on suunniteltu tiettyihin sovelluksiin. Sitä ei saa muokata ja/tai käyttää mihinkään muuhun tarkoitukseen kuin sen suunniteltuun käyttötarkoitukseen.

HUOMAUTUS: Säilytä painepesuria aina paikassa, jossa lämpötila ei laske alle 4 °C (40 °F). Jäätymisvauriot eivät kuulu takuun piiriin.

1. Älä kosketa pistoketta tai pistorasiaa märillä käsillä.
2. **Vältä tahatonta käynnistämistä.** Siirrä laitteen kytkin OFF-asentoon ennen kuin liität tai irrotat johdon pistorasiaan.
3. Vesisuihkua ei saa koskaan suunnata mihinkään sähköjohtoon tai suoraan itse painepesuriin, muutoin seurauksena voi olla hengenvaarallinen sähköiskku.
4. **Älä koskaan kannaa painepesuria johdosta.** Älä vedä johdosta irrottaaksesi laitteen pistorasiasta.
5. Vaurioiden välttämiseksi johtoa ei saa murskata, asettaa terävien esineiden viereen tai lämmönlähteen lähelle.
6. **Tarkista virtajohdot ennen käyttöä.** Vaurioituneet johdot voivat heikentää painepesurin suorituskykyä tai aiheuttaa hengenvaarallisen sähköiskun.
7. **Kapea pistesyöttövirta on erittäin voimakas.** Sitä ei suositella käytettäväksi maalattuina pinnoilla, puupinnoilla tai tarraKiinnitteisiin esineisiin.
8. Varmista, että kaikki henkilöt ja eläimet pysyvät pois toiminta-alueelta.
9. Käytä aina molempia käsiä painepesuria käytettäessä, jotta varsi pysyy täysin hallinnassa.
10. **Älä koske suuttimeen tai vesisuihkeeseen käytön aikana.** Älä koskaan aseta käsiä suuttimen eteen.
11. **Käytä suojalaseja käytön aikana.** Käytä suojajavastustusta ja turvajalkineita suojaatuksesi tahattomilta roiskeilta.
12. Irrota pistoke pistorasiasta, kun et käytä konetta ja ennen korkeapaineletkun irrottamista.
13. **Älä koskaan tee solmuja korkeapaineletkuun tai taita sitä, muutoin se voi vaurioitua. Tarkasta korkeapaineletku säännöllisesti.**
Vaihda letku välittömästi, jos se on vaurioitunut, kulunut tai siinä on halkeamia, kuplia, reikiä tai muita vuotoja.
Älä koskaan tartu korkeapaineletkuun, joka vuotaa tai on vaurioitunut.
14. **Älä käytä tai säilytä tätä tuotetta alle 4 °C (40 °F) lämpötilassa.** Takuu ei kata jäätymisvaurioita.
15. **Noudata huolellisesti kaikkia kemikaaleja koskevia ohjeita ja varoituksia ennen käyttöä.** Käytä vain hyväksytyt painepesurin puhdistusaineita. Älä käytä valkaisuaINETTA, klooria tai mitään hAPPOJA sisältäviä puhdistusaineita. Noudata aina valmistajan etiketin ohjeita puhdistusaineiden oikeaoppisesta käytöstä. Suojaa aina silmät, iho ja hengityselimet puhdistusaineilta.

16. **Painepesuria ei saa käyttää alueilla, joissa saattaa olla kaasuhöyryjä.** Sähkökipinä voi aiheuttaa räjähdyksen tai tulipalon.
17. Painepesuriin pääsevän veden minimoimiseksi kone tulee sijoittaa mahdollisimman kauas puhdistuspaikasta käytön aikana.
18. Tahattoman purkauksen estämiseksi ruiskupistooli tulee varmistaa lukitsemalla liipaisin, kun sitä ei käytetä.
19. Jotta ilma pääsee kiertämään vapaasti, painepesuria EI saa peittää käytön aikana.
20. **Älä koskaan kosketa tai yritä peittää korkeapaineletkun aukkoa tai vastaavaa vesivuotoa tai yritä tarttua siihen.** Vesivirta ON korkean paineen alaista ja se tunkeutuu ihon läpi.
21. **Käytä vain letkuja ja lisävarusteita, joiden nimellispaine on korkeampi kuin painepesurin PSI/ bar-arvo.** Älä koskaan käytä konetta muiden valmistajien lisävarusteiden tai osien kanssa.
22. Älä koskaan poista tämän tuotteen turvaominaisuuksia käytöstä.
23. Älä käytä konetta vaurioituneilla tai luvattomilla osilla tai jos osia puuttuu.
24. Älä koskaan ruiskuta syttyviä nesteitä tai käytä painepesuria alueilla, joissa on palavaa pölyä, nesteitä tai höyryjä.



VAROITUS: Tämä kone on suunniteltu käytettäväksi valmistajan toimittaman tai suositteleman puhdistusaineen kanssa. Muiden puhdistusaineiden tai kemikaalien käyttö voi vaikuttaa haitallisesti koneen turvallisuuteen.



VAROITUS: Korkeapainepesureita käytettäessä saattaa muodostua aerosoleja. Aerosolien hengittäminen voi olla terveydelle vaarallista.



VAROITUS: Suuripaineiset suihkut voivat olla vaarallisia vääriinkäytettyinä. Suihkua ei saa suunnata ihmisiä, jännitteisiä sähkölaitteita tai itse konetta kohti.



VAROITUS: Älä käytä konetta ihmisten läheisyydessä, elleivät he käytä suojavaatetusta.



VAROITUS: Älä suuntaa suihkua itseäsi tai muita kohti vaatteiden tai jalkineiden puhdistamiseksi.



VAROITUS: Räjähdysvaara – Älä suihkuta syttyviä nesteitä.



VAROITUS: Lapset tai kouluttamattomat henkilöt eivät saa käyttää korkeapainepesureita.



VAROITUS: Korkeapaineletkut, kiinnikkeet ja liittimet ovat tärkeitä koneen turvallisuuden kannalta. Käytä vain valmistajan suosittelemia letkuja, kiinnikkeitä ja liittimiä.



VAROITUS: Käytä koneen turvallisuuden varmistamiseksi vain alkuperäisiä valmistajan tai valmistajan hyväksymiä varaosia.



VAROITUS: Vettä, joka on valunut takaisvirtauksen estolaitteiden läpi, pidetään juomakelvottomana.



VAROITUS: Kone on irrotettava virtalähteestä puhdistuksen tai huollon ajaksi ja osia vaihdettaessa.



VAROITUS: Älä käytä konetta, jos virtajohto tai tärkeät koneen osat ovat vaurioituneet, esim. turvalaitteet, korkeapaineletkut, laukaisupistooli.



VAROITUS: Sopimattomat jatkojohdot voivat olla vaarallisia. Jos käytetään jatkojohtoa, sen tulee sopia ulkokäyttöön ja liitäntä on pidettävä kuivana ja maasta irti. On suositeltavaa, että tämä tehdään johtokelalla, joka pitää pistorasian vähintään 60 mm maanpinnan yläpuolella.



VAROITUS: Katkaise aina virtakytkimestä virta, kun jätät koneen ilman valvontaa.



VAROITUS: Sovelluksesta riippuen korkeapainepuhdistukseen voidaan käyttää suojattuja suuttimia, mikä vähentää vesipitoisten aerosolien päästöjä dramaattisesti. Kaikki sovellukset eivät kuitenkaan salli tällaisen laitteen käyttöä. Jos suojattuja suuttimia ei voida käyttää suojaamiseen aerosoleja vastaan, voidaan tarvita luokan FFP 2 hengityssuojainta tai vastaavaa puhdistusympäristöstä riippuen.

Muiden henkilöiden turvallisuus

- Tätä työkalua ei ole tarkoitettu sellaisten henkilöiden käyttöön, joilla on fyysisiä tai älyllisiä rajoitteita tai aistirajoitteita, eikä laitteen toimintaan perehtymättömien henkilöiden käyttöön (lapset mukaan luettuina), paitsi valvonnan alaisina, tai jos he ovat saaneet työkalun käyttöön liittyvää opastusta heidän turvallisuudestaan vastaavalta henkilöltä.
- Lapsia tulee valvoa ja varmistaa, että he eivät leiki laitteella.

Tärinä

Teknisissä tiedoissa ja vaatimustenmukaisuusvakuutuksessa ilmoitettu tärinäpäästöarvo on mitattu EN60335-2-79-standardin testausmenetelmän mukaisesti, ja arvoa voi käyttää työkalujen keskinäiseen vertailuun. Ilmoitettua tärinäpäästöarvoa voi käyttää myös altistumisen alustavaan arviointiin.



VAROITUS: Painepesurin käytön aikana mitattu todellinen tärinäpäästöarvo voi poiketa ilmoitetusta tärinäpäästöarvosta työkalun käyttötavan mukaan. Tärinätaaso voi olla ilmoitettua tasoa suurempi.

Kun tärinälle altistumista arvioidaan sen määrittämiseksi, mitä direktiivin 2002/44/EY mukaisia turvatoimenpiteitä vaaditaan sähkötyökaluja säännöllisesti käyttävien henkilöiden suojelemiseksi, tärinälle altistumisen arvioinnissa on otettava huomioon todelliset käyttöolosuhteet ja työkalun käyttötavat. Todellisen käytön lisäksi on kiinnitettävä huomiota myös siihen, milloin työkalu on sammutettuna tai se käy tyhjäkäynnillä.

Työkalun tarrat

Työkaluun on merkitty päivämääräkoodi sekä seuraavat varoitusmerkinnot:



Varoitus! Käyttäjän on luettava käyttöohje vahinkojen välttämiseksi.



Käytä suojalaseja.



Käytä kuulosuojaimia.



Kone ei sovellu liitettäväksi kannettavaan vedensyöttöjärjestelmiin.



Direktiivin 2000/14/EY mukainen taattu ääniteho. BEPW1300



Direktiivin 2000/14/EY mukainen taattu ääniteho. BEPW1300L



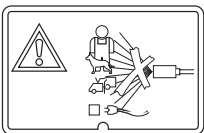
Direktiivin 2000/14/EY mukainen taattu ääniteho. BEPW1650



Direktiivin 2000/14/EY mukainen taattu ääniteho. BEPW1700



Direktiivin 2000/14/EY mukainen taattu ääniteho. BEPW2000



Älä koskaan suuntaa vesisuihkua ihmisiin, eläimiin, koneisiin tai sähköosiin.

Sähköturvallisuus



Tämä laite on kaksoiseristetty, joten erillistä maadoitusta ei tarvita. Tarkista aina, että verkkovirran jännite vastaa tyyppikilpeen merkittyä jännitettä.

Jännitehäviöt (vain malli BEPW2000)

Käynnistyssyösvirta aiheuttaa lyhytaikaisen jännitteen alenemisen. Epävakaa virransyöttö voi aiheuttaa häiriötä muihin laitteisiin. Jos virran syötön järjestelmäimpedanssi on pienempi kuin 0,378 Ω, häiriöiden ilmeneminen on epätodennäköistä.

Yleiskuvasu

1. Korkeapaineletku
2. Suihkutusvarsi
3. Suuttimen painike
4. Suihkutuskahva
5. Suihkutuskahvan kädensija
6. Liipaisimen lukitus
7. Liipaisin
8. Suihkutuuletin kynäsuihkusuuttimeen
9. Letkun liitin
10. Suodatin
11. Pesuainepullo
12. Pesuainepullon kiinnitin
13. Letkun liitäntäpainike
14. Suuttimen puhdistusväline
15. Turbosuutin (BEPW2000)
16. Painepesuri
17. Virtapainike
18. Kahva
19. Sisäänvedettävä kahva (BEPW1700, BEPW2000)
20. Korkeapaineinen vedenpoistoaukko
21. Johdon kiinnityskoukku
22. Virtajohto

Kokoaminen ja säätäminen



VAROITUS: Ennen kuin yrität suorittaa mitään seuraavista toimenpiteistä, varmista, että työkalun virta on katkaistu, sähköpistoke on irrotettu sähköverkosta.

Suihkutuskahvan kiinnittäminen (kuva A)

1. Kiinnitä suihkutuskahva (4) suihkutusvarteen (2) asettamalla suihkutuskahvan pää suihkutusvarren päähän.
2. Paina ruiskutuskahvaa sisään ja käännä vastapäivään lukitaksesi sen paikalleen.

Korkeapaineletkun liittäminen (kuva B)

HUOMAUTUS: Älä koskaan vedä korkeapaineletkusta tai vedensyöttöletkusta painepesurin siirtämiseksi. Tämä voi vaurioittaa letkua ja/tai pumpun sisääntuloa ja/tai pumpun ulostuloa.

1. Liitä korkeapaineletku (1) suihkutuskahvaan (4) painamalla letkun liitäntäpainiketta (13) ja napsauttamalla letkun pää (23) suihkutuskahvaan. Vapauta letkun liitäntäpainike, kun letkun pää on napsahtanut paikalleen.
2. Liitä korkeapaineletku painepesuriin (16), ruuvaamalla letkun säätörengas (24) korkeapaineiseen vedenpoistoaukkoon (20).

HUOMAA: Kelaä korkeapaineletku auki ennen asennusta vääntymien välttämiseksi.

HUOMAA: Vältä kiertämästä ristiin letkua asentaessa. Ristiin kiertäminen aiheuttaa vuotoja.

Puutarhaletkun kiinnittäminen (kuva C-J2)

HUOMAA: Anna veden virrata puutarhaletkun läpi 30 sekunnin ajan ennen puutarhaletkun liittämistä painepesuriin, jotta mahdolliset epäpuhtaudet poistuisivat puutarhaletkun sisältä.

1. Liitä puutarhaletku painepesuriin (16), ruuvaamalla suodatin (10) vedenottoaukkoon (25).
2. Liitä puutarhaletku letkun liittimeen (9) löysäämällä puutarhaliittimen ruuvia ja kiinnittämällä letku liittimeen. Liitä puutarhaletku letkun liittimeen (9) ruuvaamalla puutarhaletku puutarhaliittimeen.
3. Liitä puutarhaliittimeen kiinnitetty puutarhaletku (28) suodattimeen (10), kunnes se napsahtaa.

HUOMAA: Irrota puutarhaletku aina käytön jälkeen.

Suuttimien kiinnittäminen (kuva D)



VAARA: Neeستن ruiskumisvaara. Poistoaukkoa ei saa suunnata henkilöihin, suojaamattomaan ihoon, silmiin tai lemmikkeihin tai eläimiin. Vaarana on vakava henkilövahinko.



VAROITUS: Sinkoavat esineet voivat aiheuttaa vakavia henkilövahinkoja. ÄLÄ yritä vaihtaa suuttimia painepesurin ollessa käynnissä. Kytke painepesuri pois päältä ennen suuttimien vaihtamista.

1. Liitä suutin suihkutukseen (2) painamalla suuttimen painiketta (3) suihkutusvarressa ja asettamalla oikea suutin paikoilleen.
2. Vapauta painike suuttimen lukitsemiseksi paikoilleen.
3. Vedä suutinta lujasti varmistaaksesi, että suutin lukittuu paikoilleen.

Suihkutuuletin kynäsuihkusuuttimeen

Tuuletin kuvion säätäminen (kuvat D1, D2)

Suihkutusvarresta tulevan suihkun kulmaa voidaan säätää kääntämällä suutinta.

Tämä muuttaa suihkutuskuvion noin 0 ° kapeasta voimakkaasta suihkusta 60 ° leveään tuuletinsuihkuun. Leveä tuuletinkuvio jakaa veden vaikutuksen suuremmalle alueelle, mikä johtaa erinomaiseen puhdistustehoon ja vähentää pintavaurioiden riskiä. Suuret pinta-alat voidaan puhdistaa nopeammin käyttämällä leveää tuuletinkuviota. Kapea kynäsuihku jakaa veden vaikutuksen keskittyneelle alueelle, jolloin puhdistuspintaan kohdistuu suuri iskuvoima. Käytä kapeaa kynäsuihkuja rajatun alueen syväpuhdistukseen. Käytä sitä kuitenkin varoen, sillä se voi vahingoittaa joitakin pintoja.

Pesuainepullon kiinnittäminen (kuva I4)

Liitä pesuainepullo (11 suihkutuskahvaan (4) työntämällä pesuainepullon pää suihkutuskahvan sisään ja lukitsemalla se paikalleen kääntämällä pesuainepulloa vastapäivään.

HUOMAA: Sauvaa ja pesuainepulloa ei voi asentaa samanaikaisesti.

HUOMAA: Pesuainepullo tulee sijoittaa suihkutuskahvan putken alle. Älä aseta pesuainepulloa muovipistoolin putken yläpuolelle, koska tämä johtaa pesuaineen tippumiseen putkeen.

Suihkutuuletin kynäsuihkusuuttimeen	Leveän alueen hellävaraiseen puhdistukseen.
Turbosuutin	Hankaavaan pesuun. (Sisältyy vain malliin BEPW2000)

Käyttö



VAROITUS: Vähentääksesi vakavien henkilövaurioiden riskiä, kytke laite pois päältä ja irrota se virtalähteestä ennen säätöjen tekemistä tai lisävarusteiden tai apuvälineiden irrottamista/ asentamista. Tahaton käynnistyminen voi johtaa henkilövahinkoihin.

Oikeaoppinen käsien asento (kuva E)



VAROITUS: Vakavan henkilövahinkoavaaran välttämiseksi on **AINA** käytettävä oikeaoppista käden asentoa kuvan mukaisesti.



VAROITUS: Vähentääksesi vakavien henkilövaurioiden riskiä, tartu työkaluun **AINA** tukevasti varautuen äkillisiin reaktioihin.

Käsien oikea asento tarkoittaa toisen käden pitämistä suihkutuskahvan kädensijassa (5) ja toisen käden pitämistä suihkutuskahvassa (4).

Painepesurin käyttäminen

Puhdistuspinnan valmisteleminen

- Poista alueelta esineet, jotka voivat aiheuttaa vaaroja, kuten lasten lelut tai ulkokalusteet.

- Varmista, että kaikki ovet ja ikkunat on suljettu kokonaan.
- Suojaa kaikki lähetyillä olevat kasvit ja puut suojakankaalla, jottei suihku voi vahingoittaa niitä.
- Eshuuhtelee puhdistusalue puhtaalla vedellä.
- Käytä ainoastaan painepesureihin tarkoitettuja pesuaineita.
- Testaa pesuainetta aina näkymättömällä pinnalla ennen käyttöä.

Painepesurin valmisteleminen käyttöä varten (kuvat J1, J2, J3, J4)



VAARA: Nesteen ruiskumisen ja leikkautumisvaara. Suuripaineista asetusta käyttäessä suuripaineista suihkua EI SAA kohdistaa suojaamattomaan ihoon, silmiin tai lemikkeihin tai eläimiin. Vaarana on vakava henkilövahinko.



HUOMIO: Ennen käyttöä:

1. Liitä puutarhaletku vedensyöttöön. Vettä voidaan ottaa hanasta tai muusta vesilähteestä. Katso kohta **Itsetäyttö** osiossa Painepesurin valmisteleminen käyttöä varten.
2. Liitä korkeapaineletku painepesuriin ja suihkutuskaavaan. Katso ohjeet korkeapaineletkun liittämiseksi painepesuriin ja suihkutuskaavaan **Asennus ja säädöt** -luvun kohdasta **Korkeapaineletkun liittäminen**.
3. Liitä puutarhaletku painepesuriin. Katso ohjeet vedensyötön liittämiseksi painepesuriin **Asennus ja säädöt** -luvun kohdasta Puutarhaletkun liittäminen.
4. Kiinnitä pistoke asianmukaiseen virtalähteeseen.

Suihkutuskaavan valmisteleminen

TÄRKEÄÄ: Avaa liipaisimen lukitus (6) ja paina liipaisimesta (7) ennen kuin kytket painepesurin päälle.

1. Avaa liipaisimen lukitus (6).
2. Paina liipaisimesta (7). Pidä liipaisinta painettuna 30 sekuntia tyhjentääksesi järjestelmästä ilman.
3. Jos vedensyötössä on edelleen ilmaa, jatka veden syöttämistä suihkutuskaavan läpi.

Vesiliitäntä



VAROITUS: Soveltuvien määräyksien mukaisesti laitetta ei saa koskaan käyttää vesijohtoverkossa ilman järjestelmäerotinta. Käytä järjestelmäerotinta standardin IEC 61770 tyytin BA mukaisesti. Järjestelmäerotin läpi virtaava vesi ei ole juomakelpoista.



- Noudata vesihuoltoyritysi määräyksiä.
- Kaikissa liitosletkuissa on oltava kunnolla tiivistetyt liitokset.
- Varmista, että syöttöletkun halkaisija on vähintään 12,7 mm ja että se on vahvistettu.

- Laitetta ei saa koskaan käyttää juomavesijohdossa ilman takaisinvirtausventtiiliä. Takaisinvirtausventtiilin läpi kulkenut vesi katsotaan olevan juomakelvotonta.

Pinnan puhdistaminen

1. Käynnistä painepesuri kiertämällä virtapainike (17) päälle.
2. Varmista, että vesihana on auki, tai käytä jotakin muuta vesilähdettä, jotta painepesuri saa vettä.
3. Paras kulma veden suihkuttamiseen on 45° puhdistettavaan pintaan nähden.
 - Jos vettä suihkutetaan pintaan suoraan, likahiukkaset kiinnittyvät helposti pintaan.
 - Kun puhdistat pystysuoria pintoja, aloita pesuaineen suihkutus alhaalta ja etene ylöspäin, jolloin pesuaine ei voi valua alaspäin ja aiheuttaa juovia.
4. Kytke suihkutuskaava irti vapauttamalla liipaisin. **HUOMAA:** Jos suutin on tukossa, pumpun paine voi kasvaa liikaa. Sammuta painepesuri ja irrota pistoke virtalähteestä aina ennen tukoksen poistamista suuttimesta.

Pesuaineet (kuvat I1, I2, I3, I4)

Katso ohjeet pesuaine-/saippuapullon kiinnittämiseen **Asennus ja säädöt** -luvun kohdasta Pesuainepullon kiinnittäminen.

Pesuaineiden käyttö voi lyhentää puhdistusaikaa huomattavasti ja auttaa poistamaan vaikeita tahroja. Jotkut pesuaineet on räätälöity painepesuria varten tiettyihin puhdistustehtäviin.

Pesuaineiden puhdistusteho syntyy levittämällä niitä pinnalle ja antamalla kemikaaleille aikaa hajottaa lika. Pesuaineet toimivat parhaiten, kun niitä käytetään matalalla paineella. Kemiallisen vaikutuksen ja korkeapainehuhtelun yhdistelmä on erittäin tehokas.

Levitä pystysuorilla pinnoilla pesuainetta alhaalta alkaen ja jatka ylöspäin. Tämä estää pesuainetta valumasta alas ja aiheuttamasta raitoja. Korkeapainehuhtelun tulisi myös edetä alhaalta ylöspäin. Erityisen vaikeiden tahrojen kohdalla voi olla tarpeen käyttää harjaa yhdessä pesuaineiden ja korkeapainehuhtelun kanssa.

Painepesurin siirtäminen

1. Kytke painepesuri (16) pois päältä kiertämällä virtapainike (17) pois päältä ja katkaise sen jälkeen vedensyöttö.
2. Kohdista suihkutusvarsi (2) turvalliseen suuntaan ja vedä liipaisimesta (7) jäljellä olevan vedenpaineen vapauttamiseksi.
3. Kun suihkutusvarsi on tyhjentynyt kokonaan, nosta painepesuri kahvasta (18).

Sammuttaminen

1. Kytke painepesuri (16) pois päältä kiertämällä virtapainike (17) pois päältä ja irrota pistoke pistorasiasta.
2. Sammuta vesi hanasta tai irrota se muusta vesilähteestä.
3. Poista jäännöspaine painamalla liipaisimesta (7), kunnes suihkutusvarresta (2) ei tule enää vettä.
4. Kytke liipaisimen lukitus (6).
5. Irrota puutarhaletku (28) vedenottoaukosta (25).
6. Irrota korkeapaineletku (1) korkeapaineisesta vedenpoistoaukosta (20) ja tyhjennä letku.

Itsetäyttö

1. Liitä vedenottoletku painepesuriin. Katso **Asennus ja säädöt** -luvun kohta **Puutarhaletkun kiinnittäminen**.
2. Aseta suodattimella varustetun letkun vapaa pää vaihtoehtoiseen vesilähteeseen (esim. ämpäri jne.)
3. Liitä korkeapaineletku suihkutuskahvaan. Katso **Asennus ja säädöt** -luvun kohta **Korkeapaineletkun kiinnittäminen**.
4. Kytke painepesuri virtalähteeseen.
5. Käynnistä painepesuri kääntämällä virtapainike päälle.
6. Sammuta painepesuri heti, kun laitteen poistoputkesta tulee vettä.
7. Irrota painepesuri virtalähteestä.
8. Asenna korkeapaineletku pumpun poistoputkeen.
9. Kytke painepesuri virtalähteeseen.
10. Käynnistä painepesuri kääntämällä virtapainike päälle.
11. Aloita puhdistustyö painamalla suihkutuskahvan liipaisinta.

Huolto

BLACK+DECKER-työkalu on suunniteltu toimimaan mahdollisimman pitkän aikaa mahdollisimman vähällä huollolla. Oikea käsittely ja säännöllinen puhdistus varmistavat laitteen ongelmattoman toiminnan.



Varoitus! Toimi seuraavasti ennen työkalun huoltoa.

- Puhdista laitteen ilma-aukot säännöllisesti pehmeällä harjalla tai kuivalla rievulla.
- Puhdista moottorikotelo säännöllisesti kostealla liinalla. Älä käytä hankaavia tai liuotinpohjaisia puhdistusaineita.

Puhdistaminen

Suuttimen puhdistaminen (kuva A, G)

Jos suuttimeen muodostuu vieraiden materiaalien (esim. epäpuhtaudet) aiheuttamia tukoksia, paine voi nousta liikaa. Jos suutin on osittain tukossa, pumpun paine toimii sykäyksin. Puhdista suutin välittömästi suuttimen puhdistimella.

1. Sammuta painepesuri (16) ja irrota pistoke pistorasiasta.
2. Katkaisen vedensyöttöä.

3. Vedä suihkutuskahvan (4) liipaisimesta (7) mahdollisen vedenpaineen poistamiseksi.
4. Poista suutin suihkutusvarresta (2) painiketta (3) painamalla.
5. Puhdista suutin käyttämällä suuttimen puhdistusvälinettä (14).
6. Anna veden virrata hanasta tai puutarhaletkusta suuttimen kautta.

Suodattimen puhdistaminen (kuva K)

Tarkista suodatin (10 ennen jokaista käyttökertaa ja puhdista tarvittaessa. Irrota suodatinelementti ja huuhtelee se puhtaana veden alla poistaaksesi kaikki epäpuhtaudet.

Säilytys

- Säilytä kuivassa ja suojatussa paikassa nolla-astetta korkeammassa lämpötilassa. SÄILYTÄ SISÄTILASSA.
- Tyhjennä vesi aina kokonaan korkeapaineletkusta, painepesurista, suuttimista ja suihkutusvarresta.
- Suuttimia voidaan säilyttää laitteessa kuvan H mukaisesti. **HUOMAA:** Turbo- (BEPW2000) tai kynä- ja suihkusuitinta voidaan säilyttää varressa.
- Virtajohtoa voidaan säilyttää kierretynä ja se voidaan kiinnittää johdon kiinnityskoukkuun (21) kuvan I mukaisesti.
- Korkeapaineletkua (1) voidaan säilyttää kelattuna ja se voidaan kiinnittää kahvaan (18) koukulla ja kiinnityshihnalla (27) kuvan I mukaisesti.
- Suihkutuskahvaa (4) voidaan säilyttää laitteen takaosassa käyttäen pidikettä (26) kuvan I mukaisesti.
- Suihkutusvartta (2) voidaan säilyttää laitteen takaosassa käyttäen pidikettä (26) kuvan I mukaisesti.

Varaverkkopistoke (vain Iso-Britannia ja Irlanti)

Jos uusi verkkopistoke täytyy asentaa:

- Hävitä vanha pistoke ympäristöstävällisesti.
- Liitä ruskea johdin uuden pistokkeen jännitteeseen liittimeen.
- Liitä sininen johdin nollaliittimeen.



Varoitus! Maadoitusliittimeen ei tule tehdä liitoksia. Noudata korkealaatuisten pistokkeiden mukana toimitettuja asennusohjeita. Suositeltu varoke: 13 A.

Ympäristönsuojelu



Toimita tämä laite erilliskeräykseen. Tällä symbolilla merkittyjä tuotteita ja akkuja ei saa hävittää tavallisen kotitalousjätteen mukana.

Tuotteissa ja akkuissa on materiaaleja, jotka voidaan ottaa talteen tai kierrättää uudelleen käyttöä varten. Kierrätä sähkölaitteet ja akut paikallisten määryksien mukaan. Lisätietoa on saatavilla osoitteessa www.2helpU.com

Tekniset tiedot

	BEPW1300	BEPW1300L	BEPW1650	BEPW1700	BEPW2000
Tyyppi	1	1	1	1	1
Teho	1300 W _{230V} (2000)	1300W _{230V} (2000)	1650W _{230V} (2000)	1700 W _{230V} (2000)	2000 W _{230V} (2000)
Nimellisvirtausnopeus	5,2 l/min	5,2 L/min	5,5 L/min	5,5 l/min	5,8 l/min
Enimmäisvirtausnopeus	6,6 l/min	6,6 L/min	6,8 L/min	6,8 l/min	7,5 l/min
Nimellispaine (bar/ PSI/MPa)	74 / 1073 / 7,4	74 / 1073 / 7,4	80 / 1160 / 8	83,5 / 1211 / 8,35	105 / 1523 / 10,5
Enimmäispaine (bar/ PSI/MPa)	110 / 1600 / 11	110 / 1600 / 11	120 / 1740 / 12	125 / 1810 / 12,5	150 / 2175 / 15
Veden lämpötila	50 °C	50 °C	50 °C	50 °C	50 °C
Vedensyöttö	Kylmä puhdas vesi	Kylmä puhdas vesi	Kylmä puhdas vesi	Kylmä puhdas vesi	Kylmä puhdas vesi
Taattu ääniteho L _{WA} dB(A)	92	92	91	91	93
Suurin tulopaine MPa	1,0	1,0	1,0	1,0	1,0
Moottorin suojus	IPX5	IPX5	IPX5	IPX5	IPX5
Moottorityyppi	Harjallinen	Harjallinen	Harjallinen	Harjallinen	Harjallinen
Pumppu	Alumiini	Alumiini	Alumiini	Alumiini	Alumiini
Itsetäyttö	Kyllä	Kyllä	Kyllä	Kyllä	Kyllä
Letkun pituus	3M	3M*	3M*	6M	6M
Integroitu suodatin	Kyllä	Kyllä	Kyllä	Kyllä	Kyllä
Paino	4,9 kg	5,3 kg	5,3 kg	6,3 kg	8,2 kg
Pistoolin hylkyä voima maksimipaineeseen	21N	21N	21N	21N	21N

*PA/KI/KIT = 6M

N&V-testitiedot:

BEPW1300:

Äänenpainetaso L_{PA}: 77,0 dB(A)

K=3,0 dB(A)

Mitattu äänitehotaso: L_{WA}: 89,0 dB(A); K=2,8 dB(A)Tärinäpäästöarvo ah: alle 2,5 m/s²; K=0,6 m/s²

BEPW1300L:

Äänenpainetaso L_{PA}: 77,0 dB(A); K=3,0 dB(A)Mitattu äänitehotaso: L_{WA}: 89,0 dB(A); K=2,8 dB(A)Tärinäpäästöarvo ah: alle 2,5 m/s²; K=0,6 m/s²

BEPW1650:

Äänenpainetaso L_{PA}: 75 dB(A); K=3 dB(A)Mitattu äänitehotaso: L_{WA}: 88 dB(A); K=2,2 dB(A)Tärinäpäästöarvo ah: alle 2,5 m/s²; K= 0,5 m/s²

BEPW1700:

Äänenpainetaso L_{PA}: 75 dB(A); K=3 dB(A)Mitattu äänitehotaso: L_{WA}: 88 dB(A); K=2,2 dB(A)Tärinäpäästöarvo ah: alle 2,5 m/s²; K= 0,5 m/s²

BEPW2000:

Äänenpainetaso L_{PA}: 78 dB(A); K=3,0 dB(A)Mitattu äänitehotaso: L_{WA}: 91,0 dB(A); K=1,4 dB(A)Tärinäpäästöarvo ah: alle 2,5 m/s²; K=0,6 m/s²

EY-vaatimustenmukaisuusvakuutus

KONEDIREKTIIVI
ULKOKILMAMELUDIREKTIIVIBEPW1300, BEPW1300L, BEPW1650, BEPW1700,
BEPW2000 PainesesuriBlack & Decker ilmoittaa, että tuotteet, jotka on kuvattu
kohdassa "Tekniset tiedot" ovat seuraavien direktiivien
vaatimusten mukaisia:2006/42/EY, EN 60335-1:2012+A11:2014+A13:2017+A1:2019
+A14:2019+A2:2019+A15:2021, EN60335-2-79:2012.

2000/14/EY, liite V

BEPW1300:

Mitattu äänitehotaso: L_{WA}: 89,0 dB(A); K=2,8 dB(A)Taattu äänitehotaso L_{WA}: 92 dB(A)

BEPW1300L:

Mitattu äänitehotaso: L_{WA}: 89,0 dB(A); K=2,8 dB(A)Taattu äänitehotaso L_{WA}: 92 dB(A)

BEPW1650:

Mitattu äänitehotaso: L_{WA}: 88 dB(A); K=2,2 dB(A)Taattu äänitehotaso L_{WA}: 91 dB(A)

BEPW1700:

Mitattu äänitehotaso: L_{WA}: 88 dB(A); K=2,2 dB(A)Taattu äänitehotaso L_{WA}: 91 dB(A)

BEPW2000:

Mitattu äänitehotaso: L_{WA}: 91,0 dB(A); K=1,4 dB(A)Taattu äänitehotaso L_{WA}: 93 dB(A)Nämä tuotteet täyttävät myös direktiivien 2014/30/EU ja
2011/65/EU vaatimukset.Lisätietoja saa ottamalla yhteyden Black & Deckeriin
seuraavassa osoitteessa. Tiedot ovat myös käyttöohjeen
takakannessa.Allekirjoittanut vastaa teknisten tietojen kokoamisesta tehden
tämän ilmoituksen Black & Decker.

Patrick Diepenbach
Toimitusjohtaja, Benelux
Black and Decker,
Egide Walschaertsstraat 14-18
2800 Mechelen, Belgia
27/04/2023

Takuu

Black & Decker on vakuuttanut tuotteidensa korkeasta laadusta ja tarjoaa kuluttajille 24 kuukauden takuun, joka astuu voimaan ostopäivänä. Takuu on lisäys kuluttajan laillisiin oikeuksiin eikä vaikuta niihin. Tämä takuu on voimassa Ilosa-Britanniassa, EU- ja ETA-maissa. Edellytyksenä takuun saamiselle on, että vaade täyttää Black & Deckerin ehdot ja että ostaja toimittaa ostotositteen jälleenmyyjälle tai valtuutetulle huoltoliikkeelle. Black & Deckerin kahden vuoden takuun ehdot ja lähimmän valtuutetun korjauspalvelun yhteystiedot ovat saatavilla osoitteessa www.2helpU.com tai ottamalla yhteyttä paikalliseen Black & Deckerin toimipisteeseen tässä ohjekirjassa ilmoitettuihin osoitteisiin. Käy verkkosivuillemme osoitteessa www.blackanddecker.fi ja rekisteröi uusi Black & Decker -tuotteesi saadaksesi tietoa uusista tuotteista ja erikoistarjouksista.

Προβλεπόμενη χρήση

Αυτό το πλυστικό πίεσης BLACK+DECKER προορίζεται για οικιακή χρήση για καθαρισμό σκαφών, αυτοκινήτων, βεραντών, ιδιωτικών οδών, σχαρών, εξωτερικών επενδύσεων τοίχων, μοτοσυκλετών, αυλών και επίπλων εξωτερικού χώρου.

ΜΗΝ αφήνετε παιδιά να έρθουν σε επαφή με το εργαλείο. Απαιτείται επίβλεψη όταν το εργαλείο το χρησιμοποιούν άπειροι χρήστες.

Αυτό το εργαλείο προορίζεται μόνο για ερασιτεχνική χρήση.

Οδηγίες ασφαλείας

ΣΗΜΑΝΤΙΚΕΣ ΟΔΗΓΙΕΣ ΑΣΦΑΛΕΙΑΣ



ΠΡΟΕΙΔΟΠΟΙΗΣΗ: Όταν χρησιμοποιείτε αυτό το πλυστικό πίεσης, πρέπει να τηρείτε πάντα βασικές προφυλάξεις, περιλαμβανομένων των εξής:

- Αν το καλώδιο ρεύματος έχει υποστεί ζημιά, πρέπει να αντικατασταθεί από τον κατασκευαστή ή εξουσιοδοτημένο κέντρο σέρβις BLACK+DECKER, για την αποφυγή κινδύνου.
- Αυτό το μηχάνημα δεν προορίζεται για χρήση από άτομα (περιλαμβανομένων παιδιών) με μειωμένες σωματικές, αισθητηριακές ή διανοητικές ικανότητες, ή με έλλειψη εμπειρίας και γνώσης.
- Τα παιδιά πρέπει να επιτηρούνται, ώστε να διασφαλίζεται ότι δεν παίζουν με τη συσκευή.
- Διαβάστε όλες τις οδηγίες πριν χρησιμοποιήσετε το προϊόν.

- Για να μειώσετε τον κίνδυνο σωματικής βλάβης, απαιτείται στενή επίβλεψη όταν ένα προϊόν χρησιμοποιείται κοντά σε παιδιά.
- Πρέπει να γνωρίζετε πώς να σταματήσετε τη λειτουργία του προϊόντος και να εκτονώνετε τις πιέσεις γρήγορα. Εξοικειωθείτε πλήρως με τα στοιχεία χειρισμού.
- Παραμένετε σε εγρήγορση – προσέχετε τις ενέργειές σας.
- Μη χρησιμοποιείτε αυτό το προϊόν όταν είστε κουρασμένοι ή υπό την επήρεια οινοπνεύματος ή ναρκωτικών ουσιών.
- Απομακρύνετε από την περιοχή λειτουργίας όλα τα πρόσωπα και ζώα.
- Μην τεντώνετε υπερβολικά και μη στέκεστε πάνω σε ασταθές στήριγμα. Διατηρείτε πάντα καλή στήριξη στα πόδια σας και καλή ισορροπία.
- Τηρείτε τις οδηγίες συντήρησης που παρέχονται στο εγχειρίδιο.
- Η σύνδεση παροχής ρεύματος θα πρέπει να γίνει από πιστοποιημένο ηλεκτρολόγο και να συμμορφώνεται με το πρότυπο IEC 60364-1. Συνιστάται η παροχή ρεύματος στο μηχάνημα αυτό να περιλαμβάνει είτε μια διάταξη προστασίας από ρεύμα διαροής που θα διακόπτει την παροχή αν το ρεύμα διαροής προς τη γείωση υπερβαίνει τα 30 mA για 30 ms είτε μια διάταξη που θα ελέγχει το κύκλωμα γείωσης.
- Κατά τη θέση σε λειτουργία, ασφαλής λειτουργία, χειρισμός, μεταφορά και αποθήκευση του μηχανήματος λαμβάνονται υπόψη το βάρος του.



ΠΡΟΕΙΔΟΠΟΙΗΣΗ: Κίνδυνος έγχυσης υγρού στο σώμα ή τραυματισμού – μην κατευθύνετε το ρεύμα εξόδου προς πρόσωπα ή ζώα.



ΠΡΟΕΙΔΟΠΟΙΗΣΗ: Διαβάστε πλήρως το παρόν εγχειρίδιο πριν επιχειρήσετε να συναρμολογήσετε, χρησιμοποιήσετε ή εγκαταστήσετε το προϊόν.



ΠΡΟΕΙΔΟΠΟΙΗΣΗ: Αυτή η μονάδα έχει σχεδιαστεί για συγκεκριμένες εφαρμογές. Δεν πρέπει να τροποποιηθεί και/ή να χρησιμοποιηθεί για οποιαδήποτε εφαρμογή άλλη από αυτές που σχεδιάστηκε.

ΕΙΔΟΠΟΙΗΣΗ: Πάντα φυλάσσετε το πλυστικό πίεσης σε τοποθεσία όπου η θερμοκρασία δεν θα πέσει κάτω από 4 °C (40 °F). Οι ζημιές από παγετό δεν καλύπτονται από την εγγύηση.

1. Μην αγγίζετε το φως ή την πρίζα με υγρά χέρια.
2. **Αποφύγετε την αθέλητη θέση σε λειτουργία.** Μετακινείτε τον διακόπτη της μονάδας στη θέση απενεργοποίησης πριν τη σύνδεση ή αποσύνδεση καλωδίου από πρίζα ρευματοληψίας.
3. Ο ψεκασμός νερού δεν πρέπει ποτέ να κατευθύνεται προς οποιαδήποτε ηλεκτρική καλωδίωση ή προς το ίδιο το πλυστικό μηχάνημα πίεσης, διαφορετικά μπορεί να προκύψει θανάσιμη ηλεκτροπληξία.

4. **Ποτέ μη μεταφέρετε το πλυστικό πίεσης από το καλώδιο.** Μην τραβάτε το καλώδιο για να το αποσυνδέσετε από την πρίζα.
5. Για την αποφυγή ζημιάς, το καλώδιο δεν πρέπει να συμπιέζεται, να τοποθετείται κοντά σε αιχμηρά αντικείμενα ή κοντά σε πηγή θερμότητας.
6. **Ελέγχετε τα καλώδια ρεύματος πριν τη χρήση.** Τα καλώδια ρεύματος που έχουν υποστεί ζημιά μπορούν να μειώσουν την απόδοση του πλυστικού πίεσης ή να προκαλέσουν θανάσιμη ηλεκτροπληξία
7. **Ο στενός πίδακας έχει συγκεντρωμένη ισχύ.** Δεν συνιστάται για χρήση σε βαμμένες επιφάνειες, ζύλινες επιφάνειες ή είδη στερεωμένα με αυτοκόλλητο υπόθεμα.
8. Απομακρύνετε από την περιοχή λειτουργίας όλα τα πρόσωπα και ζώα.
9. Χρησιμοποιείτε πάντα και τα δύο χέρια κατά τη χρήση του πλυστικού πίεσης, για να διατηρείτε πλήρη έλεγχο της ράβδου ψεκασμού.
10. **Μην αγγίζετε το ακροστόμιο ή τον πίδακα νερού κατά τη λειτουργία.** Ποτέ μην τοποθετείτε τα χέρια μπροστά από το ακροστόμιο.
11. **Φοράτε προστατευτικά γυαλιά ασφαλείας κατά τη λειτουργία.** Φοράτε προστατευτικό ρουχισμό και υποδήματα για προστασία από αθλήτο ψεκασμό.
12. Αποσυνδέστε το φινι ρευματοληψίας από την πρίζα όταν δεν χρησιμοποιείται και πριν την αποσύνδεση του εύκαμπτου σωλήνα υψηλής πίεσης.
13. **Ποτέ μη δένετε σε κόμπο και μην τσακίζετε τον εύκαμπτο σωλήνα υψηλής πίεσης επειδή θα μπορούσε να προκύψει ζημιά. Επιθεωρείτε τακτικά τον εύκαμπτο σωλήνα υψηλής πίεσης. Αντικαταστήστε τον εύκαμπτο σωλήνα αμέσως αν έχει υποστεί ζημιά, έχει φθαρεί ή παρουσιάζει οποιοδήποτε ενδείξεις ρωγμών, φυσαλίδων, μικρών οπών ή άλλη διαρροή.**
Ποτέ μην πιάνετε έναν εύκαμπτο σωλήνα υψηλής πίεσης που παρουσιάζει διαρροή ή ζημιά.
14. **Μη χρησιμοποιείτε ή φυλάσσετε αυτό το προϊόν σε θερμοκρασίες κάτω από 4 °C (40 °F).** Οι ζημιές από παγετό δεν καλύπτονται από την εγγύηση.
15. **Τηρείτε προσεκτικά όλες τις οδηγίες και προειδοποιήσεις για χημικά, πριν τη χρήση. Χρησιμοποιείτε μόνο εγκεκριμένα καθαριστικά για πλυστικά πίεσης. Μη χρησιμοποιείτε λευκαντικό, χλωρίνη ή οποιαδήποτε καθαριστικά που περιέχουν οξέα. Πάντα τηρείτε τις υποδείξεις στην ετικέτα του κατασκευαστή σχετικά με τη σωστή χρήση καθαριστικών. Πάντα προστατεύετε τα μάτια, το δέρμα και το αναπνευστικό σύστημα από καθαριστικά.**
16. **Το πλυστικό πίεσης δεν θα πρέπει να χρησιμοποιείται σε περιοχές όπου μπορεί να υπάρχουν αναθυμιάσεις.** Ένας ηλεκτρικός σπινθήρας θα μπορούσε να προκαλέσει έκρηξη ή πυρκαγιά.
17. Για την ελαχιστοποίηση της ποσότητας νερού που εισέρχεται στο πλυστικό πίεσης, η μόνάδα θα πρέπει να τοποθετείται όσο το δυνατόν πιο μακριά από τη θέση καθαρισμού κατά τη χρήση.
18. Για την αποτροπή αθλήτης εξόδου νερού, το πιστόλι ψεκασμού θα πρέπει να προστατεύεται με ασφάλιση της σκανδάλης όταν δεν χρησιμοποιείται η συσκευή.
19. Για να διευκολύνεται η ελεύθερη κυκλοφορία του αέρα, το πλυστικό πίεσης ΔΕΝ θα πρέπει να καλύπτεται κατά τη λειτουργία του.
20. **Ποτέ μην αγγίζετε, πιάνετε ή επιχειρείτε να καλύψετε με το χέρι μια μικρή οπή ή παρόμοιο σημείο διαρροής νερού στον εύκαμπτο σωλήνα υψηλής πίεσης.** Το ρεύμα νερού ΕΙΝΑΙ σε υψηλή πίεση και ΘΑ διεισδύσει στο δέρμα.
21. **Χρησιμοποιείτε μόνο εύκαμπτους σωλήνες και αξεσουάρ με ονομαστικές τιμές λειτουργίας μεγαλύτερες από την τιμή πίεσης σε psi / bar του πλυστικού πίεσης.** Ποτέ να μη χρησιμοποιηθεί με αξεσουάρ ή μονάδες οποιοδήποτε άλλου κατασκευαστή.
22. Ποτέ μην παρακάμψετε τα χαρακτηριστικά ασφαλείας αυτού του προϊόντος.
23. Μη χρησιμοποιείτε το μηχάνημα αν λείπουν ή έχουν υποστεί ζημιά εξαρτήματα, και επίσης μην το χρησιμοποιείτε με μη εγκεκριμένα εξαρτήματα.
24. Ποτέ μην ψεκάζετε εύφλεκτα υγρά και μη χρησιμοποιείτε το πλυστικό πίεσης σε χώρους που περιέχουν καύσιμη σκόνη, υγρό, ατμούς ή αναθυμιάσεις.



ΠΡΟΕΙΔΟΠΟΙΗΣΗ: Αυτό το μηχάνημα έχει σχεδιαστεί για χρήση με το καθαριστικό που προμηθεύει ή συνιστά ο κατασκευαστής. Η χρήση οποιοδήποτε άλλων καθαριστικών ή χημικών μπορεί να επηρεάσει αρνητικά την ασφάλεια του μηχανήματος.



ΠΡΟΕΙΔΟΠΟΙΗΣΗ: Κατά τη χρήση καθαριστικών υπό υψηλή πίεση μπορεί να σχηματιστούν αερολύματα. Η εισπνοή αερολυμάτων μπορεί να είναι επικίνδυνη για την υγεία.



ΠΡΟΕΙΔΟΠΟΙΗΣΗ: Οι πίδακες υψηλής πίεσης μπορεί να είναι επικίνδυνοι σε περίπτωση κακής χρήσης τους. Ο πίδακας δεν πρέπει να κατευθύνεται προς άτομα, ηλεκτρικό εξοπλισμό υπό τάση ή προς το ίδιο το μηχάνημα.



ΠΡΟΕΙΔΟΠΟΙΗΣΗ: Μη χρησιμοποιείτε το μηχάνημα κοντά σε ανθρώπους εκτός αν φορούν προστατευτικό ρουχισμό.



ΠΡΟΕΙΔΟΠΟΙΗΣΗ: Μην κατευθύνετε τον πίδακα προς τον εαυτό σας ή προς άλλους για καθαρισμό ρούχων ή υποδημάτων.



ΠΡΟΕΙΔΟΠΟΙΗΣΗ: Κίνδυνος έκρηξης – Μην ψεκάζετε εύφλεκτα υγρά.



ΠΡΟΕΙΔΟΠΟΙΗΣΗ: Τα καθαριστικά υψηλής πίεσης δεν πρέπει να χρησιμοποιούνται από παιδιά ή από μη εκπαιδευμένο προσωπικό.



ΠΡΟΕΙΔΟΠΟΙΗΣΗ: Οι εύκαμπτοι σωλήνες, τα εξαρτήματα σύνδεσης και οι συζεύξεις υψηλής πίεσης παίζουν σημαντικό ρόλο για την ασφάλεια του μηχανήματος. Χρησιμοποιείτε μόνο εύκαμπτους σωλήνες, εξαρτήματα σύνδεσης και συνδέσμου που συνιστούνται από τον κατασκευαστή.



ΠΡΟΕΙΔΟΠΟΙΗΣΗ: Για την εξασφάλιση της ασφάλειας του μηχανήματος, χρησιμοποιείτε μόνο ανταλλακτικά γνήσια από τον κατασκευαστή ή εγκεκριμένα από τον κατασκευαστή.



ΠΡΟΕΙΔΟΠΟΙΗΣΗ: Το νερό που έχει περάσει από διατάξεις αποτροπής αντίστροφης ροής θεωρείται μη πόσιμο.



ΠΡΟΕΙΔΟΠΟΙΗΣΗ: Το μηχανήμα θα πρέπει να αποσυνδεθεί από την πηγή ισχύος του κατά τον καθαρισμό ή τη συντήρηση και κατά την αντικατάσταση εξαρτημάτων.



ΠΡΟΕΙΔΟΠΟΙΗΣΗ: Μη χρησιμοποιείτε το μηχανήμα αν έχει υποστεί ζημιά το καλώδιο ρεύματος ή σημαντικά εξαρτήματα του μηχανήματος, π.χ. διατάξεις ασφαλείας, εύκαμπτοι σωλήνες υψηλής πίεσης, πιστόλι με σκανδάλη.



ΠΡΟΕΙΔΟΠΟΙΗΣΗ: Τα ανεπαρκή καλώδια επέκτασης μπορεί να είναι επικίνδυνα. Αν χρησιμοποιηθεί καλώδιο επέκτασης, θα πρέπει να είναι κατάλληλο για χρήση σε εξωτερικούς χώρους, και η σύνδεση θα πρέπει να διατηρείται στενή και πάνω από το έδαφος. Συνιστάται αυτό να επιτυγχάνεται με μια μπαλαντζά τύλιξης καλωδίου που διατηρεί την πρίζα σε απόσταση τουλάχιστον 60 mm πάνω από το έδαφος.



ΠΡΟΕΙΔΟΠΟΙΗΣΗ: Πάντα απενεργοποιείτε τον διακόπτη σύνδεσης δικτύου ρεύματος όταν αφήνετε το μηχανήμα χωρίς επίτηρηση.



ΠΡΟΕΙΔΟΠΟΙΗΣΗ: Ανάλογα με την εφαρμογή, μπορούν να χρησιμοποιηθούν θωρακισμένα ακροστόμια για καθαρισμό υψηλής πίεσης, για δραματική μείωση της εκπομπής υδατικών αερολυμάτων (αεροζόλ). Ωστόσο, δεν επιτρέπουν

όλες οι εφαρμογές τη χρήση μιας τέτοιας διάταξης. Αν δεν έχουν εφαρμογή ειδικά ακροστόμια για την προστασία από αερολύματα, μπορεί να χρειαστεί αναπνευστική μάσκα κλάσης FFP 2 ή ισοδύναμη, ανάλογα με το περιβάλλον καθαρισμού.

Ασφάλεια τρίτων

- Αυτό το εργαλείο δεν προορίζεται για χρήση από άτομα (στα οποία περιλαμβάνονται και τα παιδιά) με μειωμένες φυσικές, αντιληπτικές ή διανοητικές ικανότητες ή άτομα χωρίς εμπειρία και γνώσεις, παρά μόνο εφόσον επιτηρούνται ή τους έχουν δοθεί οδηγίες σχετικά με τη χρήση του εργαλείου από άτομο υπεύθυνο για την ασφάλειά τους.
- Τα παιδιά πρέπει να επιτηρούνται, ώστε να διασφαλίζεται ότι δεν παίζουν με τη συσκευή.

Κραδασμοί

Οι δηλωμένες τιμές εκπομπής κραδασμών που αναφέρονται στα τεχνικά χαρακτηριστικά και στη δήλωση συμμόρφωσης έχουν μετρηθεί σύμφωνα με τυποποιημένο μέθοδο δοκιμής που προβλέπεται από το πρότυπο EN60335-2-79 και μπορούν να χρησιμοποιηθούν για τη σύγκριση ενός εργαλείου με ένα άλλο. Η δηλωμένη τιμή εκπομπής κραδασμών μπορεί επίσης να χρησιμοποιηθεί σε έναν προκαταρκτικό προσδιορισμό της έκθεσης σε κραδασμούς.



ΠΡΟΕΙΔΟΠΟΙΗΣΗ: Στην πράξη, η τιμή εκπομπής κραδασμών κατά την χρήση του πλαστικού πίεσης μπορεί να διαφέρει από την τιμή που δηλωθήκε, ανάλογα με τον τρόπο που χρησιμοποιείται το εργαλείο. Το επίπεδο κραδασμών μπορεί να αυξηθεί πάνω από το επίπεδο που έχει δηλωθεί.

Κατά τον προσδιορισμό της έκθεσης σε κραδασμούς για τον καθορισμό των απαιτούμενων μέτρων ασφαλείας σύμφωνα με την οδηγία 2002/44/ΕΚ για την προστασία προσώπων που χρησιμοποιούν συχνά ηλεκτρικά εργαλεία στην εργασία τους, μια προσεγγιστική εκτίμηση της έκθεσης σε κραδασμούς πρέπει να λαμβάνει υπόψη τις πραγματικές συνθήκες χρήσης και τον τρόπο χρήσης του εργαλείου, συμπεριλαμβανομένων και όλων των επιμέρους τμημάτων του κύκλου εργασίας, όπως τα χρονικά διαστήματα που το εργαλείο ήταν εκτός λειτουργίας και τα διαστήματα λειτουργίας χωρίς φορτίο, επιπλέον του χρόνου πίεσης της σκανδάλης.

Ετικέτες πάνω στο εργαλείο

Το εργαλείο φέρει τα παρακάτω προειδοποιητικά σύμβολα μαζί με τον κωδικό ημερομηνίας:



Προειδοποίηση! Για να μειωθεί ο κίνδυνος τραυματισμού, ο χρήστης πρέπει να διαβάσει το χειρίδιο οδηγιών.



Φοράτε προστασία ματιών.



Φοράτε ωτοασπίδες.



Το μηχάνημα δεν είναι κατάλληλο για σύνδεση στο δίκτυο πόσιμου νερού.



Εγγυημένη ηχητική ισχύς σύμφωνα με την Οδηγία 2000/14/EK.
BEPW1300



Εγγυημένη ηχητική ισχύς σύμφωνα με την Οδηγία 2000/14/EK.
BEPW1300L



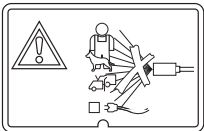
Εγγυημένη ηχητική ισχύς σύμφωνα με την Οδηγία 2000/14/EK.
BEPW1650



Εγγυημένη ηχητική ισχύς σύμφωνα με την Οδηγία 2000/14/EK.
BEPW1700



Εγγυημένη ηχητική ισχύς σύμφωνα με την Οδηγία 2000/14/EK.
BEPW2000



Ποτέ μην κατευθύνετε τον πίδακα νερού προς ανθρώπους, ζώα, το ίδιο το μηχάνημα ή ηλεκτρικά εξαρτήματα

Ασφαλής χρήση ηλεκτρικού ρεύματος



Αυτό το εργαλείο φέρει διπλή μόνωση, επομένως, δεν απαιτείται αγωγός γείωσης. Πάντα να ελέγχετε ότι η παροχή ρεύματος αντιστοιχεί στην τάση που αναφέρεται στην πινακίδα στοιχείων.

Πτώσεις τάσης (μόνο για BEPW2000)

Τα ρεύματα εκκίνησης προκαλούν σύντομες πτώσεις τάσης. Υπό μη ευνοϊκές συνθήκες προφθοδίας, μπορεί να επηρεαστεί άλλος εξοπλισμός. Εάν η σύνθετη αντίσταση της παροχής ρεύματος είναι μικρότερη από 0,378 Ω, είναι απίθανο να παρουσιαστούν διαταραχές.

Χαρακτηριστικά

1. Εύκαμπτος σωλήνας υψηλής πίεσης
2. Ράβδος ψεκασμού

3. Κουμπί ακροστομίου
4. Λαβή ψεκασμού
5. Περιοχή κρατήματος λαβής ψεκασμού
6. Ασφάλεια της σκανδάλης
7. Σκανδάλη
8. Ακροστόμιο βεντάλιας ψεκασμού έως πίδακα σημειακού ψεκασμού
9. Σύνδεσμος εύκαμπτου σωλήνα
10. Φίλτρο
11. Φιάλη σαπουνιού
12. Εφαρμοστής διαλύματος φιάλης σαπουνιού
13. Κουμπί σύνδεσης εύκαμπτου σωλήνα
14. Εργαλείο καθαρισμού ακροστομίου
15. Περιστρεφόμενο ακροστόμιο (BEPW2000)
16. Μονάδα πλυστικού πίεσης
17. Περιστροφικό κουμπί Ενεργοποίησης/ Απενεργοποίησης (ON/OFF)
18. Λαβή
19. Ανασυρόμενη λαβή (BEPW1700, BEPW2000)
20. Έξοδος νερού υψηλής πίεσης
21. Αγκιστρο συγκράτησης καλωδίου
22. Καλώδιο ρεύματος

Συναρμολόγηση και ρυθμίσεις



ΠΡΟΕΙΔΟΠΟΙΗΣΗ: Πριν επιχειρήσετε κάποια από τις παρακάτω εργασίες, βεβαιωθείτε ότι εργαλείο είναι απενεργοποιημένο και αποσυνδεδεμένο από την πρίζα.

Σύνδεση λαβής ψεκασμού (Εικ. Α)

1. Για να συνδέσετε τη λαβή ψεκασμού (4) στη ράβδο ψεκασμού (2), εισάγετε το άκρο της λαβής ψεκασμού στο άκρο της ράβδου ψεκασμού.
2. Πίεστε τη λαβή ψεκασμού προς τα μέσα και περιστρέψτε την αριστερόστροφα για να την ασφαλίσετε στη θέση του.

Σύνδεση εύκαμπτου σωλήνα υψηλής πίεσης (Εικ. Β)

ΕΙΔΟΠΟΙΗΣΗ: Ποτέ μην τραβάτε τον εύκαμπτο σωλήνα υψηλής πίεσης ή τον εύκαμπτο σωλήνα παροχής νερού για να μετακινήσετε το πλυστικό πίεσης. Αυτή η ενέργεια θα μπορούσε να προξενήσει ζημιά στον εύκαμπτο σωλήνα και/ή την είσοδο της αντλίας και/ή την έξοδο της αντλίας.

1. Για να συνδέσετε τον εύκαμπτο σωλήνα υψηλής πίεσης (1) στη λαβή ψεκασμού (4), πατήστε το κουμπί σύνδεσης εύκαμπτου σωλήνα (13) ενώ ασφαλίσετε με κλικ το άκρο εύκαμπτου σωλήνα (23) στη λαβή ψεκασμού.

Ελευθερώστε το κουμπί σύνδεσης εύκαμπτου σωλήνα όταν το άκρο εύκαμπτου σωλήνα έχει ασφαλίσει με κλικ στη θέση του.

2. Για να συνδέσετε τον εύκαμπτο σωλήνα υψηλής πίεσης στη μονάδα πλυστικού πίεσης (16), βιδώστε το κολάρο εύκαμπτου σωλήνα (24) στην έξοδο νερού υψηλής πίεσης (20).

ΣΗΜΕΙΩΣΗ: Ξετυλίξτε τον εύκαμπτο σωλήνα υψηλής πίεσης πριν την εγκατάσταση, για να αποτρέψετε τσακίσματα.

ΣΗΜΕΙΩΣΗ: Αποφύγετε το στραβό βίδωμα κατά την εγκατάσταση του εύκαμπτου σωλήνα. Το στραβό βίδωμα θα προκαλέσει διαρροές.

Σύνδεση λάστιχου κήπου (Εικ. C-J2)

ΣΗΜΕΙΩΣΗ: Πριν συνδέσετε το λάστιχο κήπου στη μονάδα πλυστικού πίεσης, περάστε νερό από το λάστιχο κήπου για τριάντα δευτερόλεπτα, για να καθαρίσετε τυχόν κατάλοιπα από το εσωτερικό του λάστιχου κήπου.

1. Για να συνδέσετε το λάστιχο κήπου στη μονάδα πλυστικού πίεσης (16), βιδώστε το φίλτρο (10) στην εισαγωγή νερού (25).
2. Συνδέστε το λάστιχο κήπου στον σύνδεσμο εύκαμπτου σωλήνα (9) λασκάροντας τη βίδα του συνδέσμου κήπου και συνδέοντας το λάστιχο στον σύνδεσμο. Συνδέστε το λάστιχο κήπου στον σύνδεσμο εύκαμπτου σωλήνα (9) βιδώνοντας το λάστιχο κήπου στον σύνδεσμο κήπου.
3. Συνδέστε το λάστιχο κήπου (28) που είναι τοποθετημένο στον σύνδεσμο κήπου στο φίλτρο (10) έως ότου κουμπώσουν με "κλικ".

ΣΗΜΕΙΩΣΗ: Πάντα να αποσυνδέετε το λάστιχο κήπου μετά τη χρήση.

Σύνδεση ακροστομιών (Εικ. D)



ΚΙΝΔΥΝΟΣ: Κίνδυνος υποδορίας έγχυσης υγρού. Μην κατευθύνετε τη ροή εξόδου της συσκευής προς άτομο, απροστάτευτο δέρμα, μάτια ή οποιαδήποτε κατοικίδια ή άλλα ζώα. Θα προκύψει σοβαρός τραυματισμός.



ΠΡΟΕΙΔΟΠΟΙΗΣΗ: Εκτινασσόμενα αντικείμενα θα μπορούσαν να προκαλέσουν κίνδυνο σοβαρού τραυματισμού. ΜΗΝ επιχειρήσετε να αλλάξετε ακροστόμια ενώ είναι σε λειτουργία το πλυστικό πίεσης. Απενεργοποιείτε τη μονάδα πλυστικού πίεσης πριν αλλάξετε ακροστόμια.

1. Για να συνδέσετε ένα ακροστόμιο στη ράβδο ψεκασμού (2), πιέστε το κουμπί ακροστομίου (3) πάνω στη ράβδο ψεκασμού και εισαγάγετε το κατάλληλο ακροστόμιο.
2. Ελευθερώστε το κουμπί για να ασφαλίσετε το ακροστόμιο στη θέση του.

3. Τραβήξτε σταθερά το ακροστόμιο για να βεβαιωθείτε ότι έχει ασφαλίσει στη θέση του.

Ακροστόμιο βεντάλιας ψεκασμού έως πίδακα σημειακού ψεκασμού

Ρύθμιση του σχήματος βεντάλιας ψεκασμού (Εικ. D1, D2)

Η γωνία του πίδακα ψεκασμού που εξέρχεται από τη ράβδο ψεκασμού μπορεί να ρυθμιστεί με περιστροφή του ακροστομίου. Με αυτό τον τρόπο, το σχήμα ψεκασμού μεταβάλλεται από έναν πίδακα υψηλής ενέργειας γωνίας περίπου 0 ° έως μια βεντάλια ψεκασμού εύρους 60 °.

Με ένα ευρύ σχήμα ψεκασμού η ενέργεια του νερού κατανέμεται σε μεγαλύτερη επιφάνεια, με αποτέλεσμα εξαιρετική δράση καθαρισμού με μειωμένο κίνδυνο ζημιάς στην επιφάνεια. Οι μεγάλες επιφάνειες καθαρίζονται γρηγορότερα με ένα ευρύ σχήμα ψεκασμού.

Ένας πίδακας σημειακού ψεκασμού συγκεντρώνει την ενέργεια του νερού σε μια μικρή περιοχή, με αποτέλεσμα μεγαλύτερη δύναμη πρόσκρουσης του νερού στην επιφάνεια που καθαρίζεται. Χρησιμοποιείτε πίδακα σημειακού ψεκασμού για να επιτύχετε βαθύ καθαρισμό σε μια μικρή περιοχή. Ωστόσο, πρέπει να χρησιμοποιείτε αυτή τη μέθοδο με προσοχή, γιατί μπορεί να προκαλέσει ζημιά σε ορισμένες επιφάνειες.

Σύνδεση φιάλης σαπουνιού (Εικ. I4)

Για να συνδέσετε τη φιάλη σαπουνιού (11) στη λαβή ψεκασμού (4), εισαγάγετε το άκρο της φιάλης σαπουνιού στη λαβή ψεκασμού και περιστρέψτε τη φιάλη μπουκαλιού αριστερόστροφα για να την ασφαλίσετε στη θέση της.

ΣΗΜΕΙΩΣΗ: Η ράβδος ψεκασμού και η φιάλη σαπουνιού δεν μπορούν να εγκατασταθούν ταυτόχρονα.

ΣΗΜΕΙΩΣΗ: Η φιάλη σαπουνιού πρέπει να τοποθετηθεί κάτω από τον σωλήνα της λαβής ψεκασμού. Μην τοποθετείτε τη φιάλη σαπουνιού πάνω από τον σωλήνα του πλαστικού πιστολιού γιατί έτσι θα στάξει σαπούνι πάνω στον σωλήνα.

Ακροστόμιο βεντάλιας ψεκασμού έως πίδακα σημειακού ψεκασμού	Για απαλό καθαρισμό μεγάλης επιφάνειας.
Περιστρεφόμενο ακροστόμιο	Για καθαρισμό με λείανση. (Περιλαμβάνεται μόνο με το μοντέλο BEPW2000)

Λειτουργία



ΠΡΟΕΙΔΟΠΟΙΗΣΗ: Για να μειώσετε τον κίνδυνο σοβαρού τραυματισμού, απενεργοποιήστε τη μονάδα και αποσυνδέστε την από την πηγή ρεύματος πριν πραγματοποιήσετε οποιοσδήποτε ρυθμίσεις ή πριν αφαιρέσετε/τοποθετήσετε προσαρτήματα ή παρελκόμενα. Τυχόν αθέλητη εκκίνηση μπορεί να προκαλέσει τραυματισμό.

Σωστή τοποθέτηση των χεριών (Εικ. Ε)

ΠΡΟΕΙΔΟΠΟΙΗΣΗ: Για να μειώσετε τον κίνδυνο σοβαρού τραυματισμού, **ΠΑΝΤΑ** να χρησιμοποιείτε σωστή θέση των χεριών όπως δείχνει η εικόνα.



ΠΡΟΕΙΔΟΠΟΙΗΣΗ: Για να μειώσετε τον κίνδυνο σοβαρού τραυματισμού, **ΠΑΝΤΑ** κρατάτε σταθερά το εργαλείο σε αναμονή απότομης αντίδρασης.

Για τη σωστή τοποθέτηση των χεριών απαιτείται ένα χέρι στην περιοχή κρατήματος της λαβής ψεκασμού (5) και το άλλο χέρι πάνω στη λαβή ψεκασμού (4).

Πλύσιμο με πίεση**Προετοιμασία της επιφάνειας για καθαρισμό**

- Αφαιρέστε από την περιοχή τα αντικείμενα που θα μπορούσαν να προκαλέσουν κίνδυνο, όπως παιδικά παιχνίδια ή έπιπλα κήπου.
- Βεβαιωθείτε ότι όλες οι πόρτες και τα παράθυρα είναι κλεισμένα καλά.
- Προστατέψτε όλα τα φυτά και τα δέντρα στην άμεση περιοχή με ένα πανί κάλυψης, και διασφαλίστε ότι δεν θα επηρεαστούν αρνητικά από τυχόν ψεκασμό εκτός της επιθυμητής επιφάνειας.
- Ξεπλύνετε προκαταρκτικά την επιφάνεια καθαρισμού χρησιμοποιώντας καθαρό νερό.
- Χρησιμοποιείτε μόνο απορρυπαντικά που έχουν σύνθεση ειδικά για πλυστικά πίεσης.
- Πάντα δοκιμάζετε το απορρυπαντικό σε μια περιοχή που δεν φαίνεται, πριν τη χρήση.

Προετοιμασία της μονάδας πλυστικού πίεσης για χρήση (Εικ. J1, J2, J3, J4)

ΚΙΝΔΥΝΟΣ: Κίνδυνος υποδορίας έγχυσης υγρού και δημιουργίας αμυχών. Όταν χρησιμοποιείτε τη ρύθμιση υψηλής πίεσης, ΜΗΝ επιτρέπετε στον πίδακα υψηλής πίεσης να έρθει σε επαφή με μη προστατευμένο δέρμα, μάτια ή με τυχόν κατοικίδια ή άλλα ζώα. Θα προκύψει σοβαρός τραυματισμός.

ΠΡΟΣΟΧΗ: Πριν τη λειτουργία:



1. Συνδέστε το λάστιχο κήπου σε μια παροχή νερού. Μπορείτε να χρησιμοποιήσετε νερό από μια βρύση ή άλλη παροχή νερού. Ανατρέξτε στο τμήμα **Αυτόματη αρχική πλήρωση** της ενότητας Προετοιμασία της μονάδας πλυστικού πίεσης για χρήση.
2. Συνδέστε τον εύκαμπτο σωλήνα υψηλής πίεσης στο πλυστικό πίεσης και στη λαβή ψεκασμού. Για οδηγίες σχετικά με τη σύνδεση του εύκαμπτου σωλήνα υψηλής πίεσης στο πλυστικό πίεσης και στη λαβή ψεκασμού, ανατρέξτε στο τμήμα **Σύνδεση εύκαμπτου σωλήνα υψηλής πίεσης** της ενότητας Συναρμολόγηση και ρυθμίσεις.

3. Συνδέστε το λάστιχο κήπου στο πλυστικό πίεσης. Για οδηγίες σχετικά με τη σύνδεση της παροχής νερού στο πλυστικό πίεσης, ανατρέξτε στο τμήμα **Σύνδεση λάστιχου κήπου** της ενότητας Συναρμολόγηση και ρυθμίσεις.
4. Συνδέστε το καλώδιο ρεύματος σε κατάλληλη πηγή ρεύματος.

Προετοιμασία της λαβής ψεκασμού

ΣΗΜΑΝΤΙΚΟ: Πριν ενεργοποιήσετε τη μονάδα πλυστικού πίεσης, αποσυμπλέξτε την ασφάλεια της σκανδάλης (6) κι έπειτα τη σκανδάλη (7).

1. Αποσυμπλέξτε την ασφάλεια της σκανδάλης (6).
2. Πατήστε τη σκανδάλη (7). Κρατήστε τη σκανδάλη πατημένη για 30 δευτερόλεπτα για να αποβάλετε τον αέρα από το σύστημα.
3. Αν συνεχίζει να βγαίνει αέρας μαζί με τη ροή νερού, συνεχίστε να περνάτε νερό από τη λαβή ψεκασμού.

Σύνδεση νερού

ΠΡΟΕΙΔΟΠΟΙΗΣΗ: Σύμφωνα με τους εφαρμοδισμούς κανονισμούς, η συσκευή δεν πρέπει ποτέ να χρησιμοποιηθεί σε δίκτυο πόσιμου νερού χωρίς έναν διαχωριστή συστήματος. Χρησιμοποιήστε έναν διαχωριστή συστήματος σύμφωνα με το IEC 61770 τύπο BA. Το νερό που περνάει μέσα από έναν διαχωριστή συστήματος δεν θεωρείται πόσιμο.



- Συμμορφώστε με τους κανονισμούς της τοπικής σας εταιρείας ύδρευσης.
- Όλοι οι συνδεδεμένοι εύκαμπτοι σωλήνες πρέπει να έχουν σωστά στεγανοποιημένους συνδέσμούς.
- Βεβαιωθείτε ότι ο εύκαμπτος σωλήνας παροχής είναι διαμέτρου τουλάχιστον 12,7 mm και ενισχυμένου τύπου.
- Η συσκευή δεν πρέπει ποτέ να χρησιμοποιηθεί στην παροχή πόσιμου νερού χωρίς βαλβίδα αντεπιστροφής. Το νερό που έχει περάσει τη βαλβίδα αντεπιστροφής θεωρείται μη πόσιμο.

Καθαρισμός μιας επιφάνειας

1. Για να θέσετε σε λειτουργία το πλυστικό πίεσης περιστρέψτε το περιστροφικό κουμπί ON/OFF (17) στη θέση ενεργοποίησης ON.
2. Επιβεβαιώστε ότι η βρύση παροχής νερού είναι ανοικτή ή χρησιμοποιήστε οποιαδήποτε άλλη πηγή νερού ώστε να παρέχεται νερό στη μονάδα πλυστικού πίεσης.
3. Η καλύτερη γωνία για ψεκασμό του νερού στην επιφάνεια που καθαρίζετε είναι στις 45°.
 - Ο κάθετος ψεκασμός τείνει να προκαλεί την ενσωμάτωση των σωματιδίων ακαθαρσιών στην επιφάνεια.

- Όταν εργάζεστε σε κατακόρυφες επιφάνειες, είναι καλύτερα να εφαρμόζετε απορρυπαντικό ξεκινώντας από το κάτω μέρος και να προχωράτε προς τα πάνω, ώστε να μην αφήνετε το απορρυπαντικό να γλιστράει προς τα κάτω προκαλώντας λωρίδες διαφορετικού χρώματος.
- 4. Για να απενεργοποιήσετε τη λαβή ψεκασμού, ελευθερώστε τη σκανδάλη.
ΣΗΜΕΙΩΣΗ: Η υπερβολική πίεση από την αντλία μπορεί να οφείλεται σε φραγμένο ακροστόμιο. Πάντα απενεργοποιείτε τη μονάδα πλυστικού πίεσης και αποσυνδέετε τη μονάδα από την πρίζα πριν επιχειρήσετε να καθαρίσετε φραγμένο ακροστόμιο.

Απορρυπαντικά (Εικ. 11, 12, 13, 14)

Για τα βήματα σύνδεσης της φιάλης απορρυπαντικού/σαπουνιού, ανατρέξτε στο τμήμα **Σύνδεση φιάλης σαπουνιού** της ενότητας Συναρμολόγηση και ρυθμίσεις. Η χρήση απορρυπαντικών μπορεί να μειώσει δραματικά τον χρόνο καθαρισμού και να υποβοηθήσει στην αφαίρεση δύσκολων κηλίδων. Ορισμένα απορρυπαντικά έχουν σχεδιαστεί ειδικά για χρήση με πλυστικά μηχανήματα πίεσης και συγκεκριμένες εργασίες καθαρισμού.

Για να αξιοποιηθεί η δύναμη καθαρισμού των απορρυπαντικών, αυτά πρέπει να εφαρμόζονται στην επιφάνεια που καθαρίζεται και να τους δίνεται χρόνος να διασπάσουν τις ακαθαρσίες και τις βρομίες. Τα απορρυπαντικά λειτουργούν καλύτερα όταν εφαρμόζονται με χαμηλή πίεση.

Ο συνδυασμός της χημικής δράσης και του ξεπλύματος με υψηλή πίεση είναι πολύ αποτελεσματικός.

Σε κατακόρυφες επιφάνειες, εφαρμόστε το απορρυπαντικό ξεκινώντας από το κάτω μέρος και προχωρώντας σταδιακά προς τα πάνω. Έτσι το απορρυπαντικό δεν θα γλιστράει προς τα κάτω δημιουργώντας λωρίδες διαφορετικού χρώματος. Το ξεπλύμα με υψηλή πίεση πρέπει και αυτό να προχωρά από κάτω προς τα πάνω. Για ιδιαίτερα σκληρές κηλίδες, μπορεί να χρειαστεί να χρησιμοποιήσετε μια βούρτσα σε συνδυασμό με απορρυπαντικά και ξεπλύμα υπό υψηλή πίεση.

Μετακίνηση του πλυστικού πίεσης

1. Απενεργοποιήστε τη μονάδα πλυστικού πίεσης (16) γυρίζοντας το περιστροφικό κουμπί ON/OFF (17) στη θέση απενεργοποίησης και κατόπιν απενεργοποιήστε την παροχή νερού.
2. Κατευθύνετε τη ράβδο ψεκασμού (2) προς μια ασφαλή κατεύθυνση και πατήστε τη σκανδάλη (7) για να ελευθερώσετε την υπολειπόμενη πίεση νερού.
3. Όταν η ράβδος ψεκασμού έχει εκκενωθεί τελείως, σηκώστε το πλυστικό πίεσης από τη λαβή (18).

Τερματισμός λειτουργίας

1. Απενεργοποιήστε τη μονάδα πλυστικού πίεσης (16) γυρίζοντας το περιστροφικό κουμπί ON/OFF (17) στη θέση απενεργοποίησης και κατόπιν αποσυνδέστε το καλώδιο από την πρίζα.
2. Απενεργοποιήστε την παροχή νερού από τη βρύση ή αποσυνδέστε οποιαδήποτε άλλη πηγή νερού.
3. Εκτονώστε την παραμένουσα πίεση πιέζοντας τη σκανδάλη (7) έως ότου σταματήσει να εξέρχεται νερό από τη ράβδο ψεκασμού (2).
4. Συμπλέξτε την ασφάλεια της σκανδάλης (6).
5. Αποσυνδέστε το λάστιχο κήπου (28) από την εισαγωγή νερού (25).
6. Αποσυνδέστε τον εύκαμπτο σωλήνα υψηλής πίεσης (1) από την έξοδο νερού υψηλής πίεσης (20) και τον εύκαμπτο σωλήνα αποστράγγισης.

Αυτόματη αρχική πλήρωση

1. Συνδέστε τον εύκαμπτο σωλήνα εισόδου στο πλυστικό πίεσης. Ανατρέξτε στο τμήμα **Σύνδεση λάστιχου κήπου** της ενότητας Συναρμολόγηση και ρυθμίσεις.
2. Τοποθετήστε το ελεύθερο άκρο του εύκαμπτου σωλήνα με συνδεδεμένο φίλτρο μέσα στην εναλλακτική πηγή νερού (π.χ. κουβά κλπ.)
3. Συνδέστε τον εύκαμπτο σωλήνα υψηλής πίεσης στη λαβή ψεκασμού. Ανατρέξτε στο τμήμα **Σύνδεση εύκαμπτου σωλήνα υψηλής πίεσης** της ενότητας Συναρμολόγηση και ρυθμίσεις.
4. Συνδέστε τη μονάδα πλυστικού πίεσης σε μια πηγή ρεύματος.
5. Ενεργοποιήστε το πλυστικό πίεσης γυρίζοντας το περιστροφικό κουμπί ON/OFF στη θέση ενεργοποίησης.
6. Απενεργοποιήστε το πλυστικό πίεσης μόλις αρχίσει να ψεκάζεται νερό από τον σωλήνα εξόδου της μονάδας.
7. Αποσυνδέστε τη μονάδα πλυστικού πίεσης από την πηγή ρεύματος.
8. Συνδέστε τον εύκαμπτο σωλήνα υψηλής πίεσης στον σωλήνα εξόδου της αντλίας.
9. Συνδέστε τη μονάδα πλυστικού πίεσης σε μια πηγή ρεύματος.
10. Ενεργοποιήστε το πλυστικό πίεσης γυρίζοντας το περιστροφικό κουμπί ON/OFF στη θέση ενεργοποίησης.
11. Πατήστε τη σκανδάλη της λαβής ψεκασμού για να ξεκινήσετε την εργασία καθαρισμού.

Συντήρηση

Το εργαλείο BLACK+DECKER που έχετε στην κατοχή σας έχει σχεδιαστεί έτσι ώστε να λειτουργεί για μεγάλο χρονικό διάστημα με την ελάχιστη δυνατή συντήρηση. Η συνεχής ικανοποιητική λειτουργία εξαρτάται από τη σωστή φροντίδα και τον τακτικό καθαρισμό.



Προειδοποίηση! Πριν πραγματοποιήσετε οποιοδήποτε συντήρηση στο εργαλείο.

- Καθαρίζετε τακτικά τις εγκοπές εξερισμού του εργαλείου με μια μαλακή βούρτσα ή ένα στενό πανί.
- Καθαρίζετε τακτικά το περίβλημα του μοτέρ με ένα ελαφρά υγρό πανί. Μη χρησιμοποιείτε καθαριστικά που χαράζουν ή περιέχουν διαλύτες.

Καθαρισμός

Καθαρισμός ακροστομίου (Εικ. Α, Γ)

Σε περίπτωση φραγμένου ακροστομίου λόγω ξένων σωμάτων, όπως για παράδειγμα ακαθαρσιών, μπορεί να αναπτυχθεί υπερβολική πίεση. Αν το ακροστόμιο είναι μόνο εν μέρει φραγμένο ή έχει περιορισμό ροής, η πίεση της αντλίας θα μεταβάλλεται παλμικά. Καθαρίστε το ακροστόμιο αμέσως χρησιμοποιώντας τα εργαλείο καθαρισμού ακροστομίου.

1. Απενεργοποιήστε τη μονάδα πλαστικού πίεσης και αποσυνδέστε την από την πρίζα (16).
2. Απενεργοποιήστε την παροχή νερού.
3. Πατήστε τη σκανδάλη (7) στη λαβή ψεκασμού (4) για να εκτονώσετε τυχόν πίεση νερού.
4. Αφαιρέστε το ακροστόμιο από τη ράβδο ψεκασμού (2) πιέζοντας το κουμπί (3).
5. Χρησιμοποιώντας τα εργαλείο καθαρισμού ακροστομίου (14), απομακρύνετε τυχόν κατάλοιπα από το ακροστόμιο.
6. Περάστε μέσα από το ακροστόμιο νερό από μια βρύση ή ένα λάστιχο κήπου.

Καθαρισμός του φίλτρου (Εικ. Κ)

Επιθεωρείτε το φίλτρο (10) πριν από κάθε χρήση και καθαρίζετε το αν χρειάζεται. Αφαιρέστε το στοιχείο φίλτρου και πλύνετε το σε τρεχούμενο νερό για να αφαιρέσετε τυχόν υπολείμματα.

Αποθήκευση

- Φυλάσσετε το προϊόν σε μια ξηρή, στεγασμένη θέση σε θερμοκρασίες πάνω από το μηδέν. **ΝΑ ΦΥΛΑΣΣΕΤΑΙ ΣΕ ΕΣΩΤΕΡΙΚΟ ΧΩΡΟ.**
- Πάντα εκκενώνετε τελείως το νερό από τον εύκαμπτο σωλήνα υψηλής πίεσης, τη μονάδα πλαστικού υψηλή πίεσης, τα ακροστόμια και τη ράβδο ψεκασμού.
- Τα ακροστόμια μπορούν να φυλάσσονται μέσα στη μονάδα όπως δείχνει η Εικ. Η. **ΣΗΜΕΙΩΣΗ:** Το περιστρεφόμενο ακροστόμιο (ΒΕΡW2000) ή το ακροστόμιο βεντάλιας ψεκασμού έως πίδακα σημειακού ψεκασμού μπορούν να φυλάσσεται πάνω στη ράβδο ψεκασμού.
- Το καλώδιο ρεύματος μπορεί να φυλαχτεί τυλιγμένο και στερεωμένο με το άγκιστρο συγκράτησης καλωδίου (21) όπως δείχνει η Εικ. Ι.

- Ο εύκαμπτος σωλήνας υψηλής πίεσης (1) μπορεί να φυλάσσεται τυλιγμένος και στερεωμένος πάνω στη λαβή (18) με τη βοήθεια της ταινίας χριτς-χρατς (27) όπως δείχνει η Εικ. Ι.
- Η λαβή ψεκασμού (4) μπορεί να φυλάσσεται στο πίσω μέρος της μονάδας με χρήση του στηρίγματος (26) όπως δείχνει η Εικ. Ι.
- Η ράβδος ψεκασμού (2) μπορεί να φυλάσσεται στο πίσω μέρος της μονάδας με χρήση του στηρίγματος (26) όπως δείχνει η Εικ. Ι.

Αντικατάσταση του φινς ρευματοληψίας (Ην. Βασίλειο & Ιρλανδία μόνο)

Αν χρειάζεστε να τοποθετηθεί νέο φινς ρευματοληψίας:

- Αφαιρέστε με ασφαλή τρόπο το παλιό φινς.
- Συνδέστε τον καφέ αγωγό στον ακροδέκτη φάσης του καινούργιου φινς.
- Συνδέστε τον μπλε αγωγό στον ουδέτερο ακροδέκτη.



Προειδοποίηση! Δεν πρέπει να γίνει καμία σύνδεση στον ακροδέκτη γείωσης. Ακολουθήστε τις οδηγίες συναρμολόγησης που συνοδεύουν τα καλής ποιότητας φινς.

Συνιστώμενη ασφάλεια: 13 Α.

Προστασία του περιβάλλοντος



Χωριστή συλλογή. Τα προϊόντα και οι μπαταρίες που επισημαίνονται με αυτό το σύμβολο δεν πρέπει να απορρίπτονται μαζί με τα κανονικά οικιακά απορρίμματα.

Τα προϊόντα και οι μπαταρίες περιέχουν υλικά που μπορούν να ανακτηθούν ή να ανακυκλωθούν, ώστε να μειωθούν οι ανάγκες για πρώτες ύλες.

Παρακαλούμε να ανακυκλώνετε τα ηλεκτρικά προϊόντα και τις μπαταρίες σύμφωνα με τους τοπικούς κανονισμούς. Περισσότερες πληροφορίες διατίθενται στον ιστότοπο www.2helpU.com

Τεχνικά χαρακτηριστικά

	ΒΕΡW1300	ΒΕΡW1300L	ΒΕΡW1650	ΒΕΡW1700	ΒΕΡW2000
Τύπος	1	1	1	1	1
Τροφοδοσία	1300 W _{max} (230V)	1300W _{max} (230V)	1650W _{max} (230V)	1700 W _{max} (230V)	2.000 W _{max} (230V)
Ονομαστική ογκομετρική ροή	5,2 L/min	5,2 L/min	5,5 L/min	5,5 L/min	5,8 L/min
Μέγιστη ογκομετρική ροή	6,6 L/min	6,6 L/min	6,8 L/min	6,8 L/min	7,5 L/min
Ονομαστική πίεση (bar/psi/MPa)	74 / 1073 / 7,4	74 / 1073 / 7,4	80 / 1160 / 8	83,5 / 1211 / 8,35	105 / 1523 / 10,5
Μέγ. πίεση (bar/psi/MPa)	110 / 1600 / 11	110 / 1600 / 11	120 / 1740 / 12	125 / 1810 / 12,5	150 / 2175 / 15
Θερμ. νερού	50 °C	50 °C	50 °C	50 °C	50 °C
Νερό εισόδου	Κρύο καθαρό νερό	Κρύο καθαρό νερό	Κρύο καθαρό νερό	Κρύο καθαρό νερό	Κρύο καθαρό νερό

	BERW1300	BERW1300L	BERW1650	BERW1700	BERW2000
Εγγυημένη στάθμη ηχητικής ισχύος L_{WA} dB(A)	92	92	91	91	93
Μέγιστη πίεση εισόδου MPa	1,0	1,0	1,0	1,0	1,0
Βαθμός προστασίας μιστέρ	IPX5	IPX5	IPX5	IPX5	IPX5
Τύπος μιστέρ	Με ψήκτρες	Με ψήκτρες	Με ψήκτρες	Με ψήκτρες	Με ψήκτρες
Αντλία	Αλουμινίου	Αλουμινίου	Αλουμινίου	Αλουμινίου	Αλουμινίου
Αυτόματη αρχική πλήρωση	Ναι	Ναι	Ναι	Ναι	Ναι
Μήκος εξαεριστού σωλήνα	3M	3M*	3M*	6M	6M
Ενσωματωμένο φίλτρο	Ναι	Ναι	Ναι	Ναι	Ναι
Βάρος	4,9 kg	5,3 kg	5,3 kg	6,3 kg	8,2 kg
Δύναμη απόσπασής του πιστολιού στη μέγιστη πίεση	21N	21N	21N	21N	21N

*PA/KI/KIT = 6M

Δεδομένα δοκιμών N&V:

BERW1300:

Στάθμη ηχητικής ισχύος εκπομπών L_{PA} : 77,0 dB(A),

$K=3,0$ dB(A)

Μετρημένη στάθμη ηχητικής ισχύος: L_{WA} : 89,0 dB(A), $K=2,8$ dB(A)

Τιμή εκπομπής κραδασμών, ah: μικρότερη από $2,5 \text{ m/s}^2$, $K=0,6 \text{ m/s}^2$

BERW1300L:

Στάθμη ηχητικής ισχύος εκπομπών L_{PA} : 77,0 dB(A), $K=3,0$ dB(A)

Μετρημένη στάθμη ηχητικής ισχύος: L_{WA} : 89,0 dB(A), $K=2,8$ dB(A)

Τιμή εκπομπής κραδασμών, ah: μικρότερη από $2,5 \text{ m/s}^2$, $K=0,6 \text{ m/s}^2$

BERW1650:

Στάθμη ηχητικής ισχύος εκπομπών L_{PA} : 75 dB(A), $K=3$ dB(A)

Μετρημένη στάθμη ηχητικής ισχύος: L_{WA} : 88 dB(A), $K=2,2$ dB(A)

Τιμή εκπομπής κραδασμών, ah: μικρότερη από $2,5 \text{ m/s}^2$, $K=0,5 \text{ m/s}^2$

BERW1700:

Στάθμη ηχητικής ισχύος εκπομπών L_{PA} : 75 dB(A), $K=3$ dB(A)

Μετρημένη στάθμη ηχητικής ισχύος: L_{WA} : 88 dB(A), $K=2,2$ dB(A)

Τιμή εκπομπής κραδασμών, ah: μικρότερη από $2,5 \text{ m/s}^2$, $K=0,5 \text{ m/s}^2$

BERW2000:

Στάθμη ηχητικής ισχύος εκπομπών L_{PA} : 78 dB(A), $K=3,0$ dB(A)

Μετρημένη στάθμη ηχητικής ισχύος: L_{WA} : 91,0 dB(A), $K=1,4$ dB(A)

Τιμή εκπομπής κραδασμών, ah: μικρότερη από $2,5 \text{ m/s}^2$, $K=0,6 \text{ m/s}^2$

Δήλωση συμμόρφωσης ΕΚ

ΟΔΗΓΙΑ ΠΕΡΙ ΜΗΧΑΝΗΜΑΤΩΝ
ΟΔΗΓΙΑ ΓΙΑ ΘΟΥΡΒΟΥΣ ΣΕ ΕΞΩΤΕΡΙΚΟΥΣ ΧΩΡΟΥΣ



BERW1300, BERW1300L, BERW1650, BERW1700,
BERW2000 Πλυστικό πίεσης

Η Black & Decker δηλώνει ότι τα προϊόντα αυτά
που περιγράφονται στα "τεχνικά χαρακτηριστικά"
συμμορφώνονται με τα ακόλουθα:

2006/42/ΕΚ, EN 60335-1:2012+A11:2014+A13:2017+A1:2019
+A14:2019+A2:2019+A15:2021, EN60335-2-79:2012.

2000/14/ΕΚ, Παράρτημα V

BERW1300:

Μετρημένη στάθμη ηχητικής ισχύος: L_{WA} : 89,0 dB(A), $K=2,8$ dB(A)

Εγγυημένη στάθμη ηχητικής ισχύος L_{WA} : 92 dB(A)

BERW1300L:

Μετρημένη στάθμη ηχητικής ισχύος: L_{WA} : 89,0 dB(A), $K=2,8$ dB(A)

Εγγυημένη στάθμη ηχητικής ισχύος L_{WA} : 92 dB(A)

BERW1650:

Μετρημένη στάθμη ηχητικής ισχύος: L_{WA} : 88 dB(A), $K=2,2$ dB(A)

Εγγυημένη στάθμη ηχητικής ισχύος L_{WA} : 91 dB(A)

BERW1700:

Μετρημένη στάθμη ηχητικής ισχύος: L_{WA} : 88 dB(A), $K=2,2$ dB(A)

Εγγυημένη στάθμη ηχητικής ισχύος L_{WA} : 91 dB(A)

BERW2000:

Μετρημένη στάθμη ηχητικής ισχύος: L_{WA} : 91,0 dB(A), $K=1,4$ dB(A)

Εγγυημένη στάθμη ηχητικής ισχύος L_{WA} : 93 dB(A)

Αυτά τα προϊόντα συμμορφώνονται και με την Οδηγία
2014/30/ΕΕ και 2011/65/ΕΕ.

Για περισσότερες πληροφορίες, επικοινωνήστε με την Black & Decker στην παρακάτω διεύθυνση ή ανατρέξτε στο πίσω μέρος του εγχειριδίου.

Ο κάτωθι υπογεγραμμένος είναι υπεύθυνος για την κατάρτιση του τεχνικού φακέλου και δηλώνει τα παρόντα εκ μέρους της Black & Decker.

Patrick Diepenbach

Patrick Diepenbach
Γενικός Διευθυντής, Μπενελούξ
Black and Decker,
Egide Walschaertsstraat 14-18
2800 Mechelen, Belgium (Βέλγιο)
27/04/2023

Εγγύηση

Η Black & Decker είναι σίγουρη για την ποιότητα των προϊόντων της και προσφέρει στους καταναλωτές εγγύηση 24 μηνών από την ημερομηνία αγοράς. Αυτή η εγγύηση συμπληρώνει και με κανένα τρόπο δεν παραβλάπτει τα νόμιμα δικαιώματά σας. Η εγγύηση ισχύει εντός της επικράτειας του Ηνωμένου Βασιλείου, των χωρών μελών της Ευρωπαϊκής Ένωσης και της Ευρωπαϊκής Ζώνης Ελεύθερων Συναλλαγών.

Για να υποβάλετε αξίωση βάσει της εγγύησης, η αξίωση θα πρέπει να είναι σύμφωνη με τους Όρους και Προϋποθέσεις της Black&Decker και θα χρειαστεί να υποβάλετε απόδειξη αγοράς στον πωλητή ή σε εξουσιοδοτημένο αντιπρόσωπο σέρβις. Μπορείτε να αποκτήσετε τους Όρους και προϋποθέσεις της εγγύησης 2 ετών της Black&Decker και να μάθετε την τοποθεσία του πλησιέστερου εξουσιοδοτημένου αντιπροσώπου επισκευών στο Internet στο www.2helpU.com, ή επικοινωνώντας με το τοπικό σας γραφείο Black & Decker στη διεύθυνση που υποδεικνύεται στο παρόν εγχειρίδιο. Παρακαλούμε επισκεφθείτε την ιστοσελίδα μας www.blackanddecker.gr για να καταχωρίσετε το νέο σας προϊόν Black & Decker και για να ενημερώνεστε για τα νέα προϊόντα και τις ειδικές προσφορές.

België/Belgique/Luxembourg www.blackanddecker.be enduser.be@sbdinc.com	Stanley Black & Decker Belgium BVBA Egide Walschaertsstraat 16 2800 Mechelen	Tel. NL +32 15 47 37 65 Tel. FR +32 15 47 37 66 Fax +32 15 47 37 99
Danmark	Black & Decker Roskildevej 22 2620 Albertslund	kundeservice.dk@sbdinc.com www.blackanddecker.dk
Deutschland www.blackanddecker.de infofbge@sbdinc.com	Stanley Black & Decker Deutschland GmbH Black & Decker Str. 40, D - 65510 Idstein	Tel. 06126 21-0 Fax 06126 21-2980
Ελλάδα www.blackanddecker.gr greece.service@sbdinc.com	Stanley Black & Decker (ΕΛΛΑΣ) Ε.Π.Ε ΓΡΑΦΕΙΑ: Σπύρου 7 & Βουλιαγμένης 166 74 Γλυφάδα - Αθήνα	Τηλ. 210-8981616 Φαξ 210-8983570
SERVICE:	Ημερο Τόπος 2 - Χάνι Αδάμ 193 00 Ασπρόπυργος - Αθήνα	Τηλ. Service 210-8985208 Φαξ 210-5597598
España www.blackanddecker.es respuesta.posventa@sbdinc.com	Stanley Black & Decker Ibérica, S.C.A. Parc de Negocios "Mas Blau" Edificio Murttadas, c/Bergadà, 1, Of. A6 08820 El Prat de Llobregat (Barcelona)	Tel. 934 797 400 Fax 934 797 419
France www.blackanddecker.fr	Black & Decker (France) S.A.S. 5 allée des Hêtres B.P. 30084 69579 Limonest Cédex	Tel. 04 72 20 39 20 Fax 04 72 20 39 00
Helvetia www.blackanddecker.ch service@rofoag.ch	ROFO AG Gewerbezone Seeblick 3213 Kleinbösingen	Tel. 026-6749393 Fax 026-6749394
Italia www.blackanddecker.it service.italia@sbdinc.com	Stanley Black & Decker Italia Via Energypark 6 20871 Vimercate (MB)	Tel. 039-9590200 Fax 039-9590313 Numero verde 800-213935
Nederland www.blackanddecker.nl enduser.nl@sbdinc.com	Stanley Black & Decker Netherlands BV Holtum Noordweg 35, 6121 RE BORN Postbus 83, 6120 AB BORN	Tel. +31 164 283 065 Fax +31 164 283 200
Norge	Black & Decker Postboks 4613, Nydalen 0405 Oslo	kundeservice.no@sbdinc.com www.blackanddecker.no
Österreich www.blackanddecker.at service.austria@sbdinc.com	Stanley Black & Decker Austria GmbH Oberlaaerstraße 248, A-1230 Wien	Tel. 01 66116-0 Fax 01 66116-614
Portugal www.blackanddecker.pt resposta.posvenda@sbdinc.com	Black & Decker Limited SARL Quinta da Fonte - Edifício Q55 D, Diniz Rua dos Malhões, 2 e ZA - Piso 2 Esquerdo 2770 - 071 Paço de Arcos	Tel. 214667500 Fax 214667580
Suomi	Black & Decker PL47 00521, Helsinki	asiakaspalvelu.fi@sbdinc.com www.blackanddecker.fi
Sverige	Black & Decker AB Box 94, 431 22 Molndal	kundeservice.se@sbdinc.com www.blackanddecker.se
Türkiye tr.blackanddecker.global	Stanley Black & Decker Turkey Alet Üretim Tic. Ltd.Şti. İçerenköy Mahallesi Umut Sokak No: 10-12 / 82-83-84 Kat: 19 Ataşehir-İstanbul, Türkiye	Tel. 0212 533 52 55 Fax 0212 533 10 05
United Kingdom & Republic Of Ireland www.blackanddecker.co.uk emeaservice@sbdinc.com	Black & Decker 210 Bath Road Slough, Berkshire SL1 4DX	Tel. 01753 511234 Fax 01753 512365
Middle East & Africa www.blackanddecker.ae service.mea@sbdinc.com	Black & Decker P.O. Box - 17164 Jebel Ali Free Zone (South), Dubai, UAE	Tel. +971 4 8863030 Fax +971 4 8863333