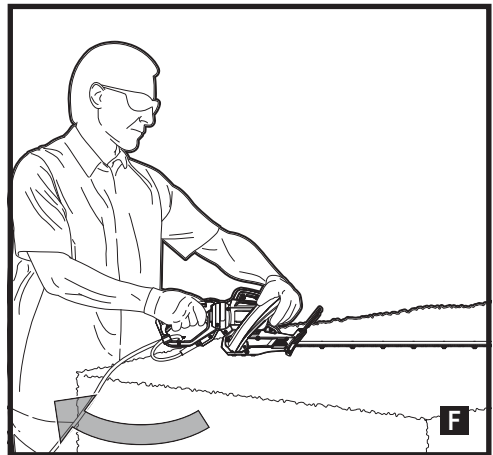
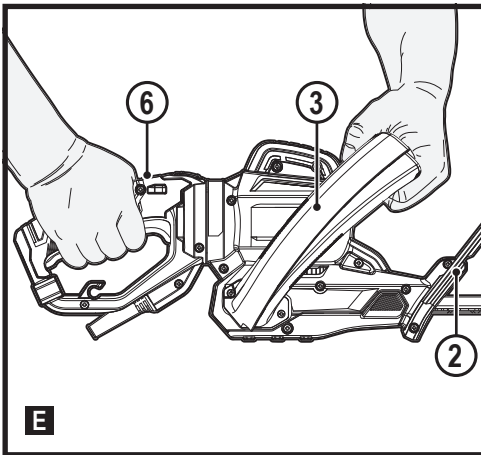
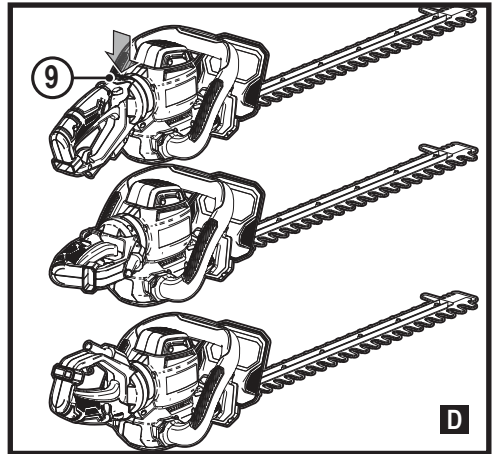
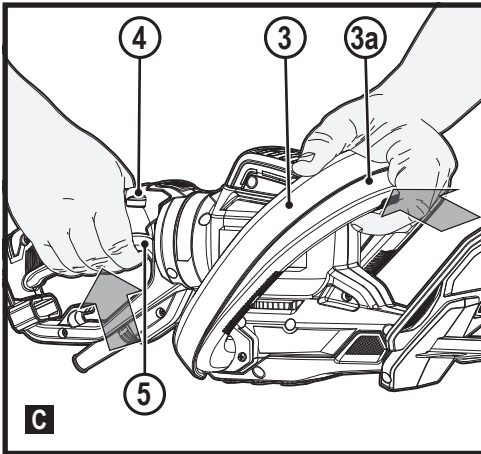
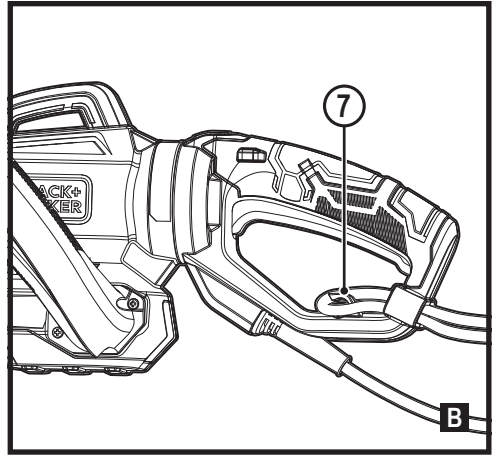
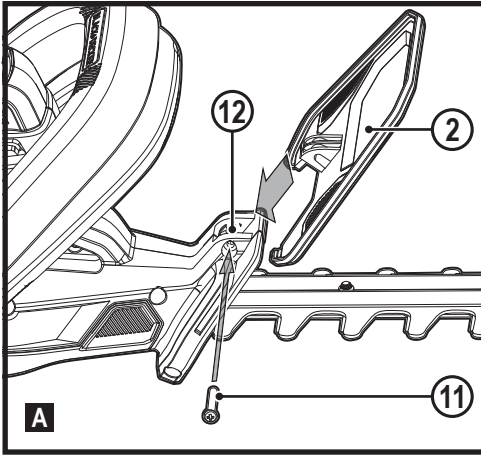
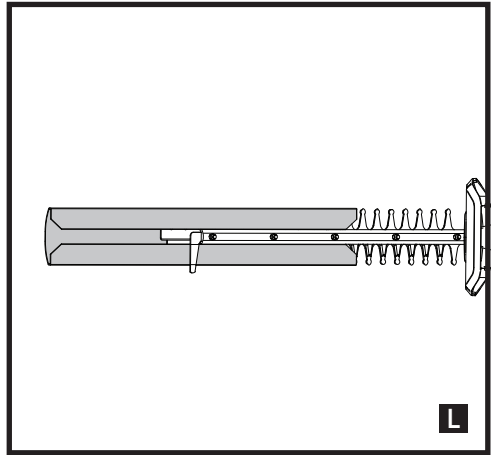
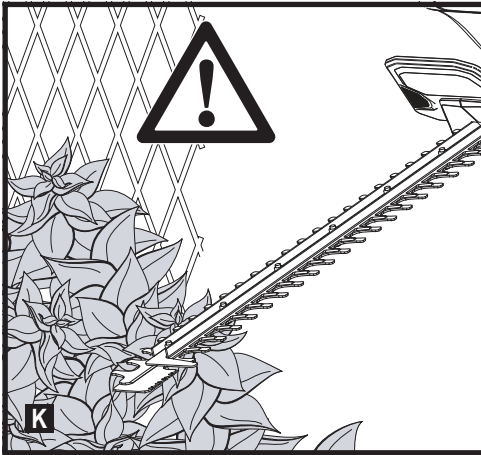
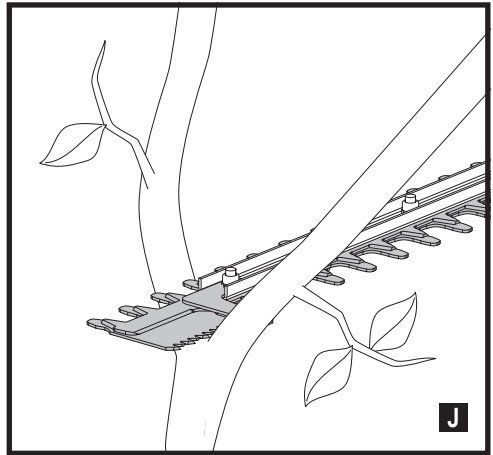
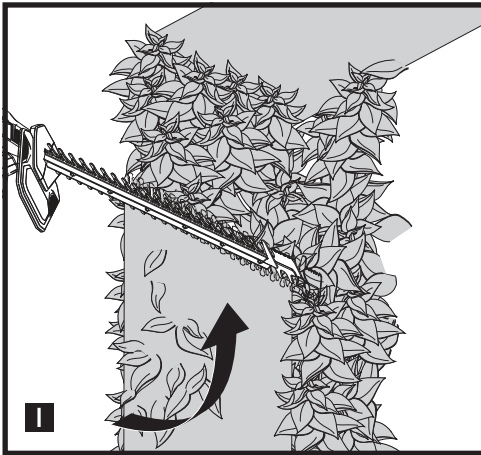
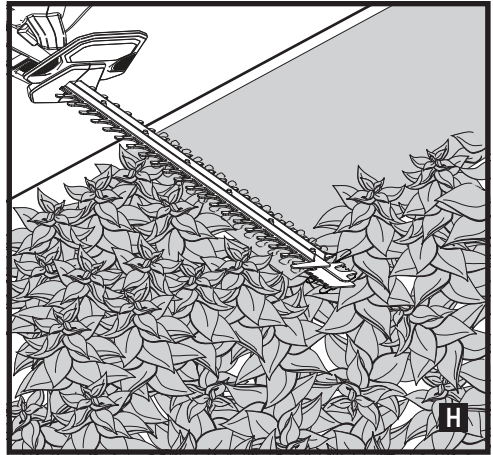
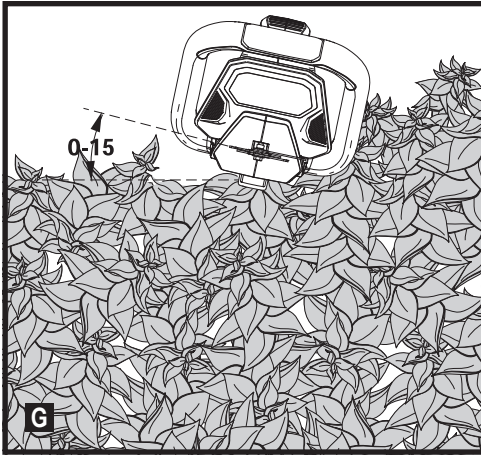


[www.blackanddecker.eu](http://www.blackanddecker.eu)

**BEHTS551**





## Intended use

Your BLACK+DECKER™ BEHTS551 hedgetrimmers has been designed for trimming hedges, shrubs and brambles. This tool is intended for consumer use only.

## Safety instructions

### General power tool safety warnings



**Warning!** Read all safety warnings and all instructions. Failure to follow the warnings and instructions listed below may result in electric shock, fire and/or serious injury.

#### Save all warnings and instructions for future reference.

The term "power tool" in the warnings refers to your mains operated (corded) power tool or battery operated (cordless) power tool.

#### 1. Work area safety

- a. **Keep work area clean and well lit.** Cluttered or dark areas invite accidents.
- b. **Do not operate power tools in explosive atmospheres, such as in the presence of flammable liquids, gases or dust.** Power tools create sparks which may ignite the dust or fumes.
- c. **Keep children and bystanders away while operating a power tool.** Distractions can cause you to lose control.

#### 2. Electrical safety

- a. **Power tool plugs must match the outlet. Never modify the plug in any way. Do not use any adapter plugs with earthed (grounded) power tools.** Unmodified plugs and matching outlets will reduce risk of electric shock.
- b. **Avoid body contact with earthed or grounded surfaces such as pipes, radiators, ranges and refrigerators.** There is an increased risk of electric shock if your body is earthed or grounded.
- c. **Do not expose power tools to rain or wet conditions.** Water entering a power tool will increase the risk of electric shock.
- d. **Do not abuse the cord. Never use the cord for carrying, pulling or unplugging the power tool. Keep cord away from heat, oil, sharp edges or moving parts.** Damaged or entangled cords increase the risk of electric shock.
- e. **When operating a power tool outdoors, use an extension cord suitable for outdoor use.** Use of a cord suitable for outdoor use reduces the risk of electric shock.
- f. **If operating a power tool in a damp location is unavoidable, use a residual current device (RCD) protected supply.** Use of an RCD reduces the risk of electric shock.

#### 3. Personal safety

- a. **Stay alert, watch what you are doing and use common sense when operating a power tool. Do not use a power tool while you are tired or under the influence of drugs, alcohol or medication.** A moment of inattention while operating power tools may result in serious personal injury.
- b. **Use personal protective equipment. Always wear eye protection.** Protective equipment such as dust mask, non-skid safety shoes, hard hat, or hearing protection used for appropriate conditions will reduce personal injuries.
- c. **Prevent unintentional starting. Ensure the switch is in the off-position before connecting to power source and/or battery pack, picking up or carrying the tool.** Carrying power tools with your finger on the switch or energising power tools that have the switch on invites accidents.
- d. **Remove any adjusting key or wrench before turning the power tool on.** A wrench or a key left attached to a rotating part of the power tool may result in personal injury.
- e. **Do not overreach. Keep proper footing and balance at all times.** This enables better control of the power tool in unexpected situations.
- f. **Dress properly. Do not wear loose clothing or jewellery. Keep your hair, clothing and gloves away from moving parts.** Loose clothes, jewellery or long hair can be caught in moving parts.
- g. **If devices are provided for the connection of dust extraction and collection facilities, ensure these are connected and properly used.** Use of dust collection can reduce dust-related hazards.
- h) **Do not let familiarity gained from frequent use of tools allow you to become complacent and ignore tool safety principles.** A careless action can cause severe injury within a fraction of a second.

#### 4. Power tool use and care

- a. **Do not force the power tool. Use the correct power tool for your application.** The correct power tool will do the job better and safer at the rate for which it was designed.
- b. **Do not use the power tool if the switch does not turn it on and off.** Any power tool that cannot be controlled with the switch is dangerous and must be repaired.
- c. **Disconnect the plug from the power source and/or the battery pack from the power tool before making any adjustments, changing accessories, or storing power tools.** Such preventive safety measures reduce the risk of starting the power tool accidentally.



- d. **Store idle power tools out of the reach of children and do not allow persons unfamiliar with the power tool or these instructions to operate the power tool.** Power tools are dangerous in the hands of untrained users.
  - e. **Maintain power tools. Check for misalignment or binding of moving parts, breakage of parts and any other condition that may affect the power tools operation. If damaged, have the power tool repaired before use.** Many accidents are caused by poorly maintained power tools.
  - f. **Keep cutting tools sharp and clean.** Properly maintained cutting tools with sharp cutting edges are less likely to bind and are easier to control.
  - g. **Use the power tool, accessories and tool bits etc. in accordance with these instructions, taking into account the working conditions and the work to be performed.** Use of the power tool for operations different from those intended could result in a hazardous situation.
  - h) **Keep handles and grasping surfaces dry, clean and free from oil and grease.** Slippery handles and grasping surfaces do not allow for safe handling and control of the tool in unexpected situations.
- 5. Service**
- a. **Have your power tool serviced by a qualified repair person using only identical replacement parts.** This will ensure that the safety of the power tool is maintained.

### Additional power tool safety warnings



**Warning!** Additional safety warnings for hedge trimmers

- ◆ **Keep all parts of the body away from the cutter blade. Do not remove cut material or hold material to be cut when blades are moving. Make sure the switch is off when clearing jammed material.** A moment of inattention while operating the tool can result in serious personal injury.
- ◆ **Carry the hedge trimmer by the handle with the cutter blade stopped. When transporting or storing the hedge trimmer always fit the cutting device cover.** Proper handling of the hedge trimmer will reduce possible personal injury from the cutter blades.
- ◆ **When transporting or storing the hedge trimmer, always fit the blade cover.** Proper handling of the hedge trimmer will decrease the risk of personal injury from the blades.
- ◆ **When clearing jammed material or servicing the unit, make sure all power switches are off and the power cord is disconnected.** Unexpected actuation of the hedge trimmer while clearing jammed material or servicing may result in serious personal injury.

- ◆ **Do not use the hedge trimmer in bad weather conditions, especially when there is a risk of lightning.** This decreases the risk of being struck by lightning.
- ◆ **Hold the power tool by insulated gripping surfaces only, because the cutter blade may contact hidden wiring or its own cord.** Cutter blades contacting a "live" wire may make exposed metal parts of the power tool "live" and could give the operator an electric shock.
- ◆ **Keep all power cords and cables away from cutting area.** Power cords or cables may be hidden in hedges or bushes and can be accidentally cut by the blade.
- ◆ The intended use is described in this instruction manual. The use of any accessory or attachment or performance of any operation with this tool other than those recommended in this instruction manual can present a risk of personal injury and/or damage to property.
- ◆ If you have not used a hedge trimmer before, preferably seek practical instruction by an experienced user in addition to studying this manual.
- ◆ Never touch the blades while the tool is running.
- ◆ Never attempt to force the blades to come to a standstill.
- ◆ Do not put the tool down until the blades have come to a complete standstill.
- ◆ Regularly check the blades for damage and wear. Do not use the tool when the blades are damaged.
- ◆ Take care to avoid hard objects (e.g. metal wire, railings) when trimming. Should you accidentally hit any such object, immediately switch the tool off and check for any damage.
- ◆ Should the tool start to vibrate abnormally, immediately switch it off and disconnect it from the mains supply then check for any damage.
- ◆ If the tool stalls, immediately switch it off. Disconnect it from the mains supply before attempting to remove any obstructions.
- ◆ After use, place the blade sheath supplied over the blades. Store the tool, making sure that the blade is not exposed.
- ◆ Always ensure that all guards are fitted when using the tool.  
Never attempt to use an incomplete tool or a tool with unauthorised modifications.
- ◆ Never allow children to use the tool.
- ◆ Be aware of falling debris when cutting the higher sides of a hedge.
- ◆ Always hold the tool with both hands and by the handles provided.

### Residual risks

Additional residual risks may arise when using the tool which may not be included in the enclosed safety warnings. These risks can arise from misuse, prolonged use etc.

Even with the application of the relevant safety regulations and the implementation of safety devices, certain residual risks can not be avoided. These include:

- ◆ Injuries caused by touching any rotating/moving parts.
- ◆ Injuries caused when changing any parts, blades or accessories.
- ◆ Injuries caused by prolonged use of a tool. When using any tool for prolonged periods ensure you take regular breaks.
- ◆ Impairment of hearing.
- ◆ Health hazards caused by breathing dust developed when using your tool (example:- working with wood, especially oak, beech and MDF.)

### Vibration

The declared vibration emission values stated in the technical data and the declaration of conformity have been measured in accordance with a standard test method provided by EN 62841 and may be used for comparing one tool with another. The declared vibration emission value may also be used in a preliminary assessment of exposure.

**Warning!** The vibration emission value during actual use of the power tool can differ from the declared value depending on the ways in which the tool is used. The vibration level may increase above the level stated.

When assessing vibration exposure to determine safety measures required by 2002/44/EC to protect persons regularly using power tools in employment, an estimation of vibration exposure should consider, the actual conditions of use and the way the tool is used, including taking account of all parts of the operating cycle such as the times when the tool is switched off and when it is running idle in addition to the trigger time.

### Labels on tool

The following pictograms are shown on the tool along with the date code:



Warning! To reduce the risk of injury, the user must read the instruction manual.



Wear safety glasses or goggles when operating this tool.



Wear ear protection when operating this tool.



Immediately disconnect the cable from the mains if it is damaged or cut.



Do not expose the tool to rain or high humidity.



Directive 2000/14/EC guaranteed sound power.

### Electrical safety



This tool is double insulated; therefore no earth wire is required. Always check that the power supply corresponds to the voltage on the rating plate.

- ◆ If the supply cord is damaged, it must be replaced by the manufacturer or an authorised BLACK+DECKER Service Centre in order to avoid a hazard.
- ◆ When using the tool outdoors, only use extension cables intended for outdoor use. A suitable rated BLACK+DECKER extension cable of up to 30 m can be used without loss of power.
- ◆ Electric safety can be further improved by using a high-sensitivity 30 mA residual current device (RCD).

### Features

This tool includes some or all of the following features.

1. Blade
2. Guard
3. Bail handle
4. Lock off button
5. Trigger switch
6. Switch handle
7. Cord retainer
8. Sawblade
9. Rotate button
10. Sheath

### Assembly

**Warning!** Before assembly, make sure that the tool is switched off and unplugged and that the blade sheath is fitted over the blades.

#### Attaching guard to trimmer (Fig. A)

The trimmer is shipped with the guard unattached to the trimmer. To attach the guard:

- ◆ Remove guard retaining screw (11) with a Phillips screwdriver (not supplied).
- ◆ Position the guard in place as shown in Fig. A. Ensuring the guard slots into the grooves (12) on the unit.
- ◆ Insert the guard retaining screw (11) into the opening on the side of the guard and tighten securely as shown in Fig. A.

**Warning!** Only use with handle and guard properly assembled to hedge trimmer.

The use of the hedge trimmer without the proper guard or handle provided may result in serious personal injury.

### Attaching extension cord to trimmer (Fig. B)

A cord retainer (7) is incorporated into the rear of the switch handle (6).

- ◆ Near the end of the extension cord, fold the extension cord to create a loop.
- ◆ Feed the loop into the cord retainer housing as shown in Fig. B.
- ◆ Hook the loop onto the cord retainer (7) so it rests in the cord retainer.
- ◆ Plug the extension cord into the unit.

### Use

**Warning!** Let the tool work at its own pace. Do not overload. check the hedges and bushes for foreign objects, e.g. wire fences and hidden wiring.

Before operating the hedge trimmer, the user should make sure the locking device(s) of any moving elements (e.g. the extended shaft and pivoting element), if any, are in the locked position.

### Switching on and off

**Note:** For your safety, this tool is equipped with a double switching system. This system prevents starting the tool inadvertently and will only allow operation while holding the tool with both hands.

#### Switching on (fig. E)

- ◆ To turn the tool "ON", press the lock off button (4) in the auxiliary handle (3) backward and squeeze the trigger switch (5). Depress the safety switch in the Bail handle (3a) as shown in figure C. Once the unit is running, you may release the lock off button. In order to keep the unit running you must continue to squeeze the trigger. To turn the tool "OFF", release the trigger.

**Warning!** Never attempt to lock a switch in the ON position.

### Rotating the Rear Handle (Fig. D)

The rear handle has the capability of rotating 180°. There are optional stops at 0°, 45° and 90° which are ideal for side cuts and rounded or irregular shaped shrubs.

To rotate the rear handle, press in on the rotate button (9) and turn in the desired direction as shown in Figure D. Figure D depicts the rear handle in 90° left, 0° and 90° right positions.

### Correct hand position (Fig. E)

Always hold the trimmer, as shown in the illustrations in this manual, with one hand on the switch handle and one hand on the bail handle (Fig. E). Never hold the unit by the blade guard.

### Guidelines for trimming

#### Extension cord (fig. F)

- ◆ Always keep extension cord behind trimmer and away from the trimming operation as shown in figure F. Never drape it over a hedge being trimmed.
- If you cut or damage the cord, unplug it at the electrical outlet immediately, before inspecting or repairing cord.

#### Working position

- ◆ Maintain proper footing and balance and do not over-reach.
- ◆ Wear safety goggles, non-skid footwear and rubber gloves when trimming.
- ◆ Hold the tool firmly in both hands and turn the tool ON. Always hold the trimmer, as shown in Fig. D, with one hand on the switch handle and one hand on the auxiliary handle. Never hold the tool by the blade guard.

#### Trimming new growth (fig.G)

- ◆ A wide, sweeping motion, feeding the blade teeth through the twigs is most effective. A slight downward tilt of the blade, in the direction of motion gives the best cutting.

**Warning!** Do not use trimmer for cutting stems greater than 16 mm. Use the trimmer only for cutting normal shrubbery found around houses and buildings.

#### Level hedges (fig.H)

- ◆ To obtain exceptionally level hedges, a piece of string can be stretched along the length of the hedge as a guide.

#### Side trimming hedges (fig.I)

- ◆ Begin at the bottom and sweep up.

#### Sawblade (fig.J)

- ◆ For branches too large for the blade (1) to cut, use the sawblade (8) . Position the sawblade as close to the bottom of the branch as possible. Place the sawblade shoe (9) against the branch. Turn the hedge trimmer on as described above, allowing the tool to work at its own pace until the branch is fully cut.

The cutting blades are made from high quality, hardened steel and with normal usage, they will not require resharpening. However, if you accidentally hit a wire fence (Fig. L), stones, glass or other hard objects, you may put a nick in the blade. There is no need to remove this nick as long as it does not interfere with the movement of the blade. If it does interfere, unplug the cord and use a fine toothed file or sharpening stone to remove the nick. If you drop the trimmer, carefully inspect it for damage. If the blade is bent, housing cracked, or handles broken or if you see any other condition that may affect the trimmer's operation contact your local BLACK+DECKER Service Center for repairs before putting it back into use.

Fertilizers and other garden chemicals contain agents which greatly accelerate the corrosion of metals. Do not store the unit on or adjacent to fertilizers or chemicals.

### Blade Lubrication (Fig. L)

- ◆ After use, disconnect the power source.
- ◆ Carefully apply a resin solvent to the exposed blades.
- ◆ Connect the power source and turn the trimmer vertical with the blades toward the ground and run the trimmer for a few seconds to fully disperse the lubrication.
- ◆ Keeping your hands away from the blade, slide the sheath 10 over the blade until it snaps into place as shown in Figure L.

### Accessories

The performance of your tool depends on the accessory used. BLACK+DECKER accessories are engineered to high quality standards and designed to enhance the performance of your tool. By using these accessories you will get the very best from your tool.

### Maintenance

Your BLACK+DECKER corded/cordless appliance/tool has been designed to operate over a long period of time with a minimum of maintenance. Continuous satisfactory operation depends upon proper tool care and regular cleaning. Lubrication oil is available from your BLACK+DECKER dealer (cat. no. A6102-XJ).

**Warning!** Before performing any maintenance on corded/cordless power tools:

- ◆ Switch off and unplug the appliance/tool.
- ◆ Or switch off and remove the battery from the appliance/tool if the appliance/tool has a separate battery pack.
- ◆ Or run the battery down completely if it is integral and then switch off.
- ◆ Unplug the charger before cleaning it. Your charger does not require any maintenance apart from regular cleaning.
- ◆ Regularly clean the ventilation slots in your appliance/tool/charger using a soft brush or dry cloth.
- ◆ Regularly clean the motor housing using a damp cloth. Do not use any abrasive or solvent-based cleaner.
- ◆ After use, carefully clean the blades. After cleaning, apply a film of light machine oil to prevent the blades from rusting.

### Mains plug replacement (U.K. & Ireland only)

If a new mains plug needs to be fitted:

- ◆ Safely dispose of the old plug.
- ◆ Connect the brown lead to the live terminal in the new plug.
- ◆ Connect the blue lead to the neutral terminal.

**Warning!** No connection is to be made to the earth terminal. Follow the fitting instructions supplied with good quality plugs. Recommended fuse: 5 A.

### Protecting the environment



Separate collection. Products and batteries marked with this symbol must not be disposed of with normal household waste.

Products and batteries contain materials that can be recovered or recycled reducing the demand for raw materials. Please recycle electrical products and batteries according to local provisions. Further information is available at [www.2helpU.com](http://www.2helpU.com)

### Troubleshooting

Problem	Possible Cause	Possible Solution
Slow running, noisy or hot blades.	Dry, corroded blades. Blades or blade support bent. Bent or damaged teeth. Loose blade bolts.	Lubricate blades. Straighten blade or blade support. Straighten teeth. Tighten blade bolts.
Unit will not start.	Lock off not fully operated. Cord not plugged in. Circuit fuse is blown. Circuit breaker is tripped. Cord or switch is damaged.	Check that lock off is fully forward prior to moving main trigger. Plug cord into a working outlet. Replace circuit fuse. (If the product repeatedly causes the circuit fuse to blow, discontinue use immediately and have it serviced at a BLACK+DECKER service center or authorized servicer.) Reset circuit breaker. (If the product repeatedly causes the circuit breaker to trip, discontinue use immediately and have it serviced at a BLACK+DECKER service center or authorized servicer.) Have cord or switch replaced at BLACK+DECKER Service Center or Authorized Servicer.

**Technical data**

		BEHTS551 Type 1
Voltage	V <sub>AC</sub>	230
Power input	W	650
Blade strokes (no load)	min <sup>-1</sup>	1840
Blade length	cm	60
Blade gap	mm	25
Blade brake time	s	<1
Saw blade Max cut	mm	35
Weight	kg	3.1

**Level of sound pressure according to EN 62841:**Sound pressure at operator position ( $L_{pA}$ ) 87.5 dB(A), uncertainty (K) 1.1 dB(A)Sound power ( $L_{wA}$ ) 98.5 dB(A), uncertainty (K) 1.3 dB(A)**Vibration total values (triax vector sum) according to EN 62841:**Vibration emission value ( $a_{hv}$ ) 3.8 m/s<sup>2</sup>, uncertainty (K) 1.5 m/s<sup>2</sup>**EC declaration of conformity**MACHINERY DIRECTIVE  
OUTDOOR NOISE DIRECTIVE

BEHTS551 – Hedge Trimmer

Black & Decker declares that these products described under  
"technical data" are in compliance with:  
2006/42/EC, EN 62841-1:2015; EN 62841-4-2:2019

2000/14/EC, Hedge trimmer, Annex V, DEKRA Certification  
B.V. Meander 1051 / P.O. Box 5185  
6825 MJ ARNHEM / 6802 ED ARNHEM, Netherlands  
Notified Body ID No.: 0344

Measured emission sound pressure level (L<sub>pA</sub>) 87,5 dB(A);  
uncertainty K: 1,1 dB(A)  
Guaranteed sound power (L<sub>wA</sub>) 100 dB(A)

These products also comply with Directive  
2014/30/EU and 2011/65/EU.

For more information, please contact Black & Decker at the  
following address or refer to the back of the manual.

The undersigned is responsible for compilation of the technical  
file and makes this declaration on behalf of Black & Decker.

Becky Cotsworth  
Director – Outdoor Products Group  
Black & Decker Europe, 270 Bath Road, Slough,  
Berkshire, SL1 4DX  
United Kingdom

**Guarantee**

Black & Decker is confident of the quality of its products and offers consumers a 24 month guarantee from the date of purchase. This guarantee is in addition to and in no way prejudices your statutory rights. The guarantee is valid within the territories of the Member States of the European Union and the European Free Trade Area.

To claim on the guarantee, the claim must be in accordance with Black&Decker Terms and Conditions and you will need to submit proof of purchase to the seller or an authorised repair agent. Terms and conditions of the Black&Decker 2 year guarantee and the location of your nearest authorised repair agent can be obtained on the Internet at [www.2helpU.com](http://www.2helpU.com), or by contacting your local Black & Decker office at the address indicated in this manual.

Please visit our website [www.blackanddecker.co.uk](http://www.blackanddecker.co.uk) to register your new Black & Decker product and receive updates on new products and special offers.



## Назначение

Ваш кусторез BLACK+DECKER™ BEHTS551 предназначен для обработки и подравнивания живых изгородей, а также небольших кустарников. Данный инструмент не является профессиональным и предназначен для домашнего использования потребителем.

## Правила техники безопасности

### Общие правила безопасности при работе с электроинструментом



**Внимание!** Полностью прочтите инструкции по технике безопасности и все руководства по эксплуатации. Несоблюдение представленных ниже предупреждений и инструкций может привести к поражению электрическим током, возгоранию и/или тяжелым травмам.

Сохраните все инструкции для последующего обращения к ним. Термин «электроинструмент» в предупреждениях относится к питаемому от электросети (проводному) или от аккумуляторных батарей (беспроводному) электроинструменту.

#### 1. Безопасность на рабочем месте

- a. **Содержите рабочее место в чистоте и обеспечьте его хорошую освещенность.** Плохое освещение или беспорядок на рабочем месте может привести к несчастному случаю.
- b. **Не используйте электроинструмент во взрывоопасной атмосфере, например, при наличии горючих жидкостей, газов или пыли.** Искры, которые появляются при работе электроинструмента, могут привести к воспламенению пыли или паров.
- c. **Не разрешайте детям и посторонним лицам находиться рядом с вами при работе с электроинструментом.** Отвлекаясь от работы, вы можете потерять контроль над инструментом.


#### 2. Электробезопасность

- a. **Сетевые вилки электроинструмента должны соответствовать розеткам. Никогда не меняйте вилку инструмента. Запрещается использовать переходники к вилкам для электроинструментов с заземлением.** Использование оригинальных штепсельных вилок, соответствующих типу сетевой розетки, снижает риск поражения электрическим током.
- b. **Следует избегать контакта с заземленными поверхностями, такими как трубы, радиаторы, батареи и холодильники.** Если вы будете заземлены, увеличивается риск поражения электрическим током.

- c. **Не допускайте нахождения электроинструментов под дождем или в условиях повышенной влажности.** Попадание воды в электроинструмент может привести к поражению электрическим током.
- d. **Бережно обращайтесь с кабелем питания. Никогда не используйте кабель для переноски инструмента, не тяните за него, пытаясь отключить инструмент от сети. Держите кабель подальше от источников тепла, масла, острых углов или движущихся предметов.** Поврежденный или запутанный кабель питания повышает риск поражения электротоком.
- e. **При работе с электроинструментом вне помещения необходимо пользоваться удлинительным кабелем, рассчитанным на эксплуатацию вне помещения.** Использование кабеля, предназначенного для применения на открытом воздухе, снижает риск поражения электрическим током.
- f. **При необходимости эксплуатации электроинструмента в местах с повышенной влажностью используйте устройство защиты от токов замыкания на землю (УЗО).** Использование УЗО сокращает риск поражения электрическим током.

#### 3. Обеспечение индивидуальной безопасности

- a. **При работе с электроинструментом сохраняйте бдительность, следите за своими действиями и руководствуйтесь здравым смыслом.** Запрещается работать с электроинструментом в состоянии усталости, наркотического, алкогольного опьянения или под воздействием лекарственных препаратов. Минутная невнимательность при работе с электроинструментом может привести к серьезным травмам.
- b. **Используйте средства индивидуальной защиты. Всегда используйте защитные очки.** Средства защиты, такие как пылезащитная маска, обувь на нескользящей подошве, каска и защитные наушники, используемые при работе, уменьшают риск получения травм.
- c. **Примите меры для предотвращения случайного включения.** Перед тем как подключить электроинструмент к сети и/или аккумуляторной батарее, взять инструмент или перенести его на другое место, убедитесь в том, что выключатель находится в положении «Выкл.». Если при переноске электроинструмента он подключен к сети, и при этом ваш палец находится на выключателе, это может стать причиной несчастных случаев.
- d. **Уберите все регулировочные или гаечные ключи перед включением электроинструмента.** Ключ, оставленный на вращающейся части

- электроинструмента, может привести к травме.
- e. Не пытайтесь дотянуться до слишком удаленных поверхностей. Всегда твердо стойте на ногах, сохраняя равновесие. Это позволит лучше контролировать электроинструмент в непредвиденных ситуациях.
  - f. Надевайте подходящую одежду. Избегайте носить свободную одежду и ювелирные украшения. Следите за тем, чтобы волосы, одежда и перчатки не попадали под движущиеся детали. Возможно наматывание свободной одежды, ювелирных изделий и длинных волос на движущиеся детали.
  - g. При наличии устройств для подключения оборудования для удаления и сбора пыли необходимо обеспечить правильность их подключения и эксплуатации. Использование устройства для пылеудаления сокращает риски, связанные с пылью.
  - h) Не позволяйте хорошему знанию от частого использования инструментов стать причиной самонадеянности и игнорирования правил техники безопасности. Небрежное действие может повлечь серьезные травмы за долю секунды.
4. Эксплуатация электроинструмента и уход за ним
    - a. Избегайте чрезмерной нагрузки электроинструмента. Используйте электроинструмент в соответствии с назначением. Правильно подобранный электроинструмент выполнит работу более эффективно и безопасно при стандартной нагрузке.
    - b. Не используйте электроинструмент, если не работает его выключатель. Любый электроинструмент, управлять выключением и включением которого невозможно, опасен, и его необходимо отремонтировать.
    - c. Перед выполнением любой регулировки, заменой дополнительных приспособлений или хранением электроинструмента отключите инструмент от сети или извлеките батарею из инструмента. Такие превентивные меры безопасности сокращают риск случайного включения электроинструмента.
    - d. Храните электроинструмент в недоступном для детей месте и не позволяйте работать с инструментом людям, не имеющим соответствующих навыков работы с такого рода инструментами. Электроинструмент представляет опасность в руках неопытных пользователей.
    - e. Проводите обслуживание электроинструментов. Проверьте движущиеся детали на точность совмещения или заклинивание, поломку либо какие-либо другие условия, которые могут повлиять на эксплуатацию электроинструмента. В случае обнаружения повреждений, прежде чем приступить к эксплуатации электроинструмента, его нужно отремонтировать. Большинство несчастных случаев происходит из-за электроинструментов, которые не обслуживаются должным образом.
    - f. Необходимо содержать режущий инструмент в остро заточенном и чистом состоянии. Вероятность заклинивания инструмента, за которым следят должным образом и который хорошо заточен, значительно меньше, а работать с ним легче.
    - g. Используйте данный электроинструмент, а также дополнительные приспособления и насадки в соответствии с данными инструкциями и с учетом условий и специфики работы. Использование электроинструмента для работ, для которых он не предназначен, может привести к несчастным случаям.
    - h) Все рукоятки и поверхности захватывания должны быть сухими и без следов смазки. Скользкие рукоятки и поверхности захватывания не позволяют обеспечить безопасность работы и управления инструментом в непредвиденных ситуациях.
  5. Сервисное обслуживание
    - a. Обслуживание электроинструмента должно выполняться только квалифицированным техническим персоналом. Это позволит обеспечить безопасность обслуживаемого электроинструмента.
- Дополнительные правила безопасности при работе с электроинструментом**
-  **Внимание!** Дополнительные меры безопасности при работе с кусторезами
- ◆ Держитесь подальше от лезвия ножа. Не убирайте срезанные ветки и не держите срезаемые ветки во время движения лезвий. Убирая засорения из инструмента убедитесь в том, что он выключен. Невнимательность при работе с электроинструментом может привести к серьезным травмам.
  - ◆ Держите кусторез за рукоятку до полной остановки лезвий. При транспортировке или хранении кустореза надевайте на режущие ножи чехол. Соблюдение правил обращения с кусторезом позволит избежать травм от лезвий.
  - ◆ При транспортировке или хранении кустореза надевайте на лезвие защитный чехол. При правильной эксплуатации кустореза риск получения травм от ножей снижается.
  - ◆ Прежде чем очистить инструмент от застрявшего материала или провести техническое обслуживание убедитесь, что все выключатели

питания выключены, а кабель питания отсоединен. Непреднамеренный пуск кустореза при удалении замятого материала или во время обслуживания может привести к серьезной травме.

- ◆ **Не используйте кусторез в плохих погодных условиях, особенно в случае опасности удара молнии.** Это уменьшает риск удара молнии.
- ◆ **Удерживайте электроинструмент за изолированные поверхности захватывания в тех случаях, так как существует вероятность контакта реза со скрытой электропроводкой или собственным кабелем питания.** Если вы держитесь за металлические детали инструмента, в случае контакта лезвий с находящимся под напряжением проводом возможно поражение электрическим током.
- ◆ **Следите за тем, чтобы в месте проведения работ не находились провода и кабели.** Шнуры или кабели питания могут быть спрятаны в жилых изгородях или кустах и могут быть случайно срезаны ножом.
- ◆ Далее в руководстве приводятся виды работ, для которых предназначен данный инструмент. Применение любых принадлежностей или насадок, а также выполнение любых операций помимо тех, которые рекомендованы данным руководством, может привести к травме.
- ◆ Если у вас не было опыта работы с кусторезом, желательно не только ознакомиться с руководством по эксплуатации, но и посмотреть, как с ними работает опытный пользователь.
- ◆ Не прикасайтесь к лезвиям работающего инструмента.
- ◆ Никогда не пытайтесь остановить лезвия силой.
- ◆ Не ставьте инструмент на землю до тех пор, пока лезвия не остановятся полностью.
- ◆ Регулярно проверяйте целостность и износ лезвий. Не используйте инструмент с поврежденными лезвиями.
- ◆ При работе избегайте контакта с твердыми предметами (например, металлическими проводами, оградой). Если случайно наткнулись на такой предмет, сразу же выключите инструмент и проверьте, не поврежден ли он.
- ◆ Если инструмент начал странно вибрировать, немедленно выключите его, отсоедините его от сети, проверьте инструмент на предмет повреждений.
- ◆ Если инструмент заглух, немедленно выключите его. Отсоедините его от источника питания перед тем, как приступить к очистке инструмента от мусора.
- ◆ После использования наденьте на ножи защитный чехол, входящий в комплектацию. Убирая инструмент на хранение, укройте ножи.
- ◆ При использовании инструмента убедитесь в том, что установлены все защитные ограждения. Не пытайтесь пользоваться не полностью укомплектованным инструментом или инструментом, в конструкцию

которого внесены неразрешенные изменения.

- ◆ Не разрешайте детям пользоваться этим инструментом.
- ◆ При стрижке высоких живых изгородей следите за тем, куда падают ветки.
- ◆ Всегда крепко держите инструмент обеими руками за ручки.

### Остаточные риски

При работе с данным инструментом возможно возникновение дополнительных остаточных рисков, которые не вошли в описанные здесь правила техники безопасности. Эти риски могут возникнуть при неправильном или продолжительном использовании изделия и т. п.

Несмотря на соблюдение соответствующих инструкций по технике безопасности и использование предохранительных устройств, некоторые остаточные риски невозможно полностью исключить. К ним относятся:

- ◆ Травмы в результате касания вращающихся/движущихся частей.
- ◆ Травмы, которые могут произойти в результате смены деталей, лезвий или дополнительных принадлежностей.
- ◆ Травмы, связанные с продолжительным использованием инструмента. При использовании любого инструмента в течение продолжительного периода времени, не забывайте делать перерывы.
- ◆ Ухудшение слуха.
- ◆ Ущерб здоровью в результате вдыхания пыли в процессе работы с инструментом (например, при обработке древесины, в особенности, дуба, бука и МДФ.)

### Вибрация

Заявленные значения вибрации указанные в технических спецификациях и заявлении о соответствии были измерены в соответствии с стандартным методом тестирования EN 62841 и могут быть использованы для сравнения инструментов. Заявленное значение эмиссии вибрации также может использоваться при предварительной оценке воздействия вибрации.

**Внимание!** Значение эмиссии вибрации в каждом конкретном случае применения электроинструмента может отличаться от заявленного в зависимости от того, каким образом используется инструмент. Уровень вибрации может быть выше заявленного.

При оценке уровня вибрации для определения степени безопасности, предусмотренного 2002/44/ЕС для защиты людей, регулярно пользующихся электроинструментом при работе, нужно принимать во внимание уровень вибрации, реальные условия использования и способ

использования инструмента, а также учитывать все этапы цикла работы - когда инструмент выключается, когда он работает на холостом ходу, а также время переключения с одного режима на другой.

### Условные обозначения на инструменте

Наравне с кодом даты на инструменте имеются следующие значки:



Внимание! Во избежание риска получения травм, прочтите руководство по эксплуатации.



При работе с инструментом надевайте защитные очки или маску.



Работая с инструментом надевайте наушники.



Немедленно отсоедините его от источника питания, если он поврежден или разрезан.



Не подвергайте инструмент воздействию дождя или высокой влажности.



Гарантированная акустическая мощность в соответствии с Директивой 2000/14/ЕС.

### Электробезопасность



Данный инструмент имеет двойную изоляцию, поэтому заземление не требуется. Следите за напряжением электрической сети, оно должно соответствовать величине, обозначенной на информационной табличке инструмента.

- ◆ Если поврежден кабель питания, его нужно заменить у производителя или в официальном сервисном центре BLACK+DECKER, чтобы избежать рисков.
- ◆ При работе с инструментом на открытом воздухе всегда пользуйтесь удлинительным кабелем, предназначенным для применения вне помещений. Без потери производительности изделия можно использовать соответствующий удлинительный кабель BLACK+DECKER длиной до 30 м.
- ◆ Электробезопасность можно повысить путем применения высокочувствительного устройства защитного отключения (УЗО) 30 мА.

### Составные части

Данный инструмент может содержать все или некоторые из перечисленных ниже составных частей.

1. Нож
2. Защита
3. Круговая рукоятка
4. Кнопка блокировки
5. Курковый пусковой выключатель
6. Рукоятка
7. Держатель провода
8. Ножовочное полотно
9. Кнопка вращения
10. Защитный чехол

### Сборка

**Внимание!** Перед сборкой убедитесь, что инструмент выключен и отключен от сети и что на лезвия надет защитный чехол.

### Установка защитного ограждения на кусторез (Рис. А)

Кусторез поставляется без закрепленной защиты. Чтобы установить защиту:

- ◆ Удалите удерживающий ограждение винт (11) при помощи крестовой отвертки (не входит в комплект поставки).
- ◆ Разместите защиту, как показано на Рис. А. Прорези на защите должны совпадать с канавками (12) в инструменте.
- ◆ Установите удерживающий ограждение винт (11) в отверстие сбоку ограждения и затяните, как показано на Рис. В.

**Внимание!** Использование возможно только с правильно собранной рукояткой и ограждением на кусторезе. Использование кустореза без соответствующего ограждения или рукоятки может привести к серьезной травме.

### Подсоединение удлинительного провода к кусторезу (Рис. А)

Держатель провода (7) встроен в заднюю часть рукоятки запуска (6).

- ◆ Сложите удлинитель для создания петли рядом с концом удлинителя.
- ◆ Направьте петлю в кожух держателя провода, как показано на Рис. А.
- ◆ Наденьте петлю на держатель провода (7), чтобы она оставалась на держателе провода.
- ◆ Вставьте удлинитель в инструмент.

## Использование

**Внимание!** Инструмент должен работать в обычном режиме. Избегайте перегрузок.

проверяйте живые изгороди и кусты на предмет посторонних предметов, например, проволочных ограждений и скрытой электропроводки.

Перед использованием кустореза, пользователь должен убедиться, что фиксатор(-ы) подвижных элементов (например, выдвигной штанги и поворотного механизма), если таковые имеются, находятся в заблокированном положении.

## Включение и выключение

**Примечание:** Для обеспечения безопасности инструмент оборудован системой двойного включения. Данная система предотвращает внезапный пуск инструмента и допускает работу только во время удержания инструмента двумя руками.

### Включение (Рис. Е)

- ◆ Чтобы включить инструмент, нажмите на кнопку блокировки выключателя (4) на вспомогательной рукоятке (3), затем нажмите на курковый пусковой выключатель (5). Нажмите на предохранитель в скобе управления (3а), как показано на Рис. С. Когда инструмент запустится, кнопку блокировки можно будет отпустить. Чтобы инструмент продолжал работать, нужно постоянно держать курковый выключатель в нажатом положении. Чтобы выключить инструмент, отпустите курковый пусковой выключатель.

**Внимание!** Ни в коем случае не фиксируйте выключатель в положении включения.

### Вращение задней рукоятки (Рис. D)

Задняя рукоятка может вращаться на 180°. Ее можно легко зафиксировать в дополнительных положениях под углом 0°, 45° и 90°, которые идеально подходят для боковых срезов и кустов скругленной или неправильной формы.

Чтобы повернуть заднюю рукоятку, нажмите на кнопку вращения (9) и поверните рукоятку в желаемое положение, как показано на Рис. D. На Рисунке D изображена задняя рукоятка в положении 90° влево, 0° и 90° вправо.

### Правильное положение рук (Рис. Е)

Всегда держите кусторез, как показано на рисунках в данном руководстве, где одна рука должна быть на рукоятке запуска, а другая на скобе управления (Рис. Е). Никогда не держите инструмент за защитный кожух лезвий.

## Рекомендации по стрижке

### Удлинительный кабель (Рис. F)

- ◆ Всегда храните удлинительный кабель за кусторезом, а также всегда выполняйте стрижку как показано на Рис. F. Никогда не накидывайте его на подстригаемую живую изгородь. В случае разреза или повреждения кабеля, немедленно отключите его от источника питания перед проверкой или ремонтом кабеля.

### Рабочее положение

- ◆ Следите за устойчивым положением тела при работе.
- ◆ При работе надевайте защитные очки, обувь на нескользящей подошве и резиновые перчатки.
- ◆ Крепко удерживая инструмент обеими руками, включите его. Всегда держите кусторез, как показано на Рис. D: одна рука должна быть на рукоятке запуска, а другая на вспомогательной рукоятке. Никогда не держите инструмент за защитный кожух лезвий.

### Обрезка молодой поросли (Рис. G)

- ◆ При работе выполняйте широкие, размашистые движения,водя лезвиями по веткам, тогда обрезка будет более эффективной. Лучшей обрезки можно добиться, слегка наклоняя лезвие под углом в направлении движения.

**Внимание!** Не используйте кусторез для стрижки стеблей толщиной больше 16 мм.

### Выравнивание живых изгородей (Рис. H)

- ◆ Чтобы сделать идеально ровную живую изгородь натяните бечевку по всей длине изгороди в качестве направляющей.

### Обрезка живых изгородей по бокам (Рис. I)

- ◆ Начинайте обрезку снизу вверх.

### Ножовочное полотно (Рис. J)

- ◆ Для резки веток, слишком больших для лезвия (1), используйте ножовочное полотно (8). Расположите ножовочное полотно как можно ближе к нижней части ветки. Прижмите подошву ножовочного полотна (9) к ветке. Включите кусторез, как указано выше, и дайте инструменту работать на его собственной скорости до тех пор, пока ветка не будет полностью перерезана.

Ножи изготовлены из высококачественной закаленной стали и не требуют затачивания при нормальном применении. В то же время, если вы случайно задели проволочный забор (Рис. L), камни, стекло или другие твердые объекты, то на лезвии могут появиться зазубрины. Если эти зазубрины не мешают движению лезвия, то удалять их не нужно. Если же они мешают, то отключите кабель и используйте напильник с мелкой



насечкой или точильный камень для устранения зазубрины. Если вы уронили кусторез, внимательно проверьте его на наличие повреждений. Если погнулось лезвие, треснул корпус или сломались рукоятки или заметны любые другие повреждения, которые могут повлиять на работу кустореза, обратитесь в местный сервисный центр BLACK+DECKER для ремонта перед дальнейшей эксплуатацией.

Удобрения и прочие садовые химические средства содержат вещества, которые значительно ускоряют образование коррозии на металлических поверхностях. Не храните инструмент на или рядом с удобрениями или химическими веществами.

### Смазка ножа (Рис. L)

- ◆ После работы, отсоедините инструмент от источника питания.
- ◆ Аккуратно нанесите растворитель смолы на ножи.
- ◆ Поставьте кусторез вертикально, так, чтобы ножи были направлены вниз, после чего включите его на несколько секунд, чтобы смазка распределилась по ножам.
- ◆ Держа руки на безопасном расстоянии от ножей, наденьте защитный чехол 10 на нож так, чтобы он встал на место со щелчком, как показано на Рис. L.

### Дополнительные принадлежности

Производительность вашего инструмента напрямую зависит от используемых принадлежностей.

Дополнительные принадлежности BLACK+DECKER разработаны по самым высоким стандартам, которые разработаны для того, чтобы улучшить характеристики работы инструмента. Используя эти принадлежности, вы достигнете наилучших результатов в работе.

### Техническое обслуживание

Ваш электрический/аккумуляторный прибор/инструмент BLACK+DECKER рассчитан на работу в течение продолжительного времени при минимальном техническом обслуживании. Срок службы и надежность инструмента увеличивается при правильном уходе и регулярной чистке.

Смазочное масло можно приобрести в одном из представительств BLACK+DECKER (№ кат. A6102-XJ).

**Внимание!** Перед выполнением любых работ по обслуживанию проводных/беспроводных инструментов:

- ◆ Выключите и отключите от сети устройство/инструмент.
- ◆ Или выключите устройство/инструмент и извлеките аккумуляторную батарею, если он оснащен отдельной аккумуляторной батареей.
- ◆ Или полностью выработайте заряд аккумуляторной

батареи, если она встроенная и затем выключите инструмент.

- ◆ Перед чисткой зарядного устройства отключите его от источника питания. Зарядное устройство не требует никакого обслуживания кроме регулярной чистки.
- ◆ Регулярно очищайте вентиляционные отверстия зарядного устройства с помощью мягкой щетки или сухой тканевой салфетки.
- ◆ Регулярно очищайте корпус двигателя с помощью влажной ткани. Не используйте никакие абразивные чистящие средства или средства на основе растворителей.
- ◆ Тщательно прочищайте ножи после использования. После чистки, нанесите тонкую пленку из легкого машинного масла, чтобы предотвратить не дать лезвиям заржаветь.

### Замена штепсельной вилки (только для Великобритании и Ирландии)

Если нужно установить штепсельную вилку:

- ◆ Осторожно снимите старую вилку.
- ◆ Подсоедините коричневый провод к терминалу фазы в новой вилке.
- ◆ Подсоедините синий провод к нулевому терминалу.

**Внимание!** Заземления не требуется. Соблюдайте инструкции по установке вилок высокого качества.

Рекомендованный предохранитель: 5 А.

### Защита окружающей среды



Отдельная утилизация. Изделия и аккумуляторные батареи с данным символом на маркировке запрещается утилизировать с обычными бытовыми отходами.

Изделия и аккумуляторные батареи содержат материалы, которые могут быть извлечены или переработаны, снижая потребность в исходном сырье.

Пожалуйста, утилизируйте электрические изделия и аккумуляторные батареи в соответствии с местными нормами. Дополнительная информация доступна по адресу [www.2helpU.com](http://www.2helpU.com)

### Неисправности и способы их устранения

Неисправность	Возможная причина	Возможное решение
Ножи работают медленно, шумно или с перегревом.	Сухие, заржавевшие ножи.	Смажьте ножи.
	Ножи или их опора погнуты.	Выпрямите нож или его опору.
	Погнутые или сломанные зубья.	Выпрямите зубья.
	Ослабьте болты лезвия.	Затяните болты лезвия.
Инструмент не включается.	Кнопка блокировки задействована не полностью.	Проверьте, нажата ли кнопка блокировки полностью, прежде чем нажать на курковый пусковой выключатель.
	Отсоединен кабель.	Подключите кабель к рабочей розетке.
	Перегорел предохранитель.	Замените предохранитель. (Если предохранитель часто перегорает, немедленно прекратите использование инструмента и обратитесь в сервисный центр BLACK+DECKER или к уполномоченному обслуживающему персоналу для его обслуживания.)
	Сработал прерыватель.	Верните прерыватель в исходное положение. (Если прерыватель часто срабатывает, немедленно прекратите использование инструмента и обратитесь в сервисный центр BLACK+DECKER или к уполномоченному обслуживающему персоналу для его обслуживания.)
	Поврежден кабель или выключатель.	Обратитесь в сервисный центр BLACK+DECKER или к уполномоченному обслуживающему персоналу.

### Технические характеристики

		ВЕНТС551 Тип 1
Напряжение	$V_{\text{перем. тока}}$	230
Потребляемая мощность	Вт	650
Кол-во ходов (без нагрузки)	мин. <sup>-1</sup>	1840
Длина ножа	см	60
Зазор между лезвиями	мм	25
Время торможения ножа	с	<1
Максимальный распил ножовочного полотна	мм	35
Вес	кг	3,1

#### Уровень звукового давления в соответствии с EN 62841:

Звуковое давление на месте оператора ( $L_{pA}$ ) 87,5 дБ(A), погрешность (K) 1,1 дБ(A)

Акустическая мощность ( $L_{WA}$ ) 98,5 дБ(A), погрешность (K) 1,3 дБ(A)

#### Сумма величин вибрации (сумма векторов по трем осям), измеренных в соответствии со стандартом EN 62841:

Значение эмиссии вибрации ( $a_{hv}$ ) 3,8 м/с<sup>2</sup>, погрешность (K) 1,5 м/с<sup>2</sup>

### Заявление о соответствии норм ЕС ДИРЕКТИВА ПО МАШИННОМУ ОБОРУДОВАНИЮ ДИРЕКТИВА ПО ШУМАМ, ПРОИЗВОДИМЫМ ВНЕ ПОМЕЩЕНИЙ



ВЕНТС551 – Кусторез

Black & Decker заявляет, что продукция, описанная в разделе «Технические характеристики» соответствует: 2006/42/EC, EN 62841-1:2015; EN 62841-4-2:2019

2000/14/EC, Кусторез, Приложение V, DEKRA Certification B.V., Meander 1051/P.O. Box 5185 6825 MJ ARNHEM / 6802 ED ARNHEM, Нидерланды

Идентификационный № уведомленного органа: 0344  
Измеренный уровень акустического давления (LpA)  
87,5 дБ(A); погрешность K: 1,1 дБ (A)

Гарантированный уровень акустической мощности (LwA)  
100 дБ(A)

Эти продукты также соответствуют Директивам 2014/30/EU и 2011/65/EU.

За дополнительной информацией обращайтесь в компанию Black & Decker по адресу, указанному ниже или

приведенному на задней стороне обложки руководства.

Нижеподписавшийся несет ответственность за составление технической документации и составил данную декларацию по поручению компании Black & Decker.



Беки Котсворт  
Директор – отдел продукции для использования вне помещений  
Black & Decker Europe, 270 Bath Road, Slough,  
Berkshire, SL1 4DX  
Великобритания

## Гарантия

Компания Black & Decker с уверенностью в качестве своей продукции предлагает клиентам гарантию на 24 месяца с момента покупки. Данная гарантия является дополнительной и ни в коей мере не направлена на ущемление Ваших юридических прав. Гарантия действует на территории стран-участниц ЕС и в Европейской зоне свободной торговли.

Чтобы подать заявку по гарантии, заявка должна соответствовать положениям и условиям Black & Decker; кроме того, Вам потребуется предъявить продавцу или авторизованному специалисту по ремонту подтверждение покупки. Положения и условия 2-летней гарантии Black & Decker и местонахождение ближайшего авторизованного специалиста по ремонту можно узнать через Интернет по адресу [www.2helpU.com](http://www.2helpU.com), или связавшись с местным представительством Black & Decker по адресу, указанному в данном руководстве.

Посетите наш веб-сайт [www.blackanddecker.co.uk](http://www.blackanddecker.co.uk), чтобы зарегистрировать свое новое изделие Black & Decker и получать информацию о новинках и специальных предложениях.



**Приложение к руководству по эксплуатации электрооборудования для определения месяца производства по номеру текущей календарной недели года**

Электрооборудование торговых марок "Dewalt", "Stanley", "Stanley FatMAX", "BLACK+DECKER".

Директивы 2014/30/EU ЕВРОПЕЙСКОГО ПАРЛАМЕНТА И СОВЕТА от 26 февраля 2014 г. "О гармонизации законодательств Государств-членов ЕС в области электромагнитной совместимости", 2006/42/ЕС ЕВРОПЕЙСКОГО ПАРЛАМЕНТА И СОВЕТА от 17 мая 2006 г. "О машинах и оборудовании"; 2014/35/EU ЕВРОПЕЙСКОГО ПАРЛАМЕНТА И СОВЕТА от 26 февраля 2014 г. "О гармонизации законодательств государств-членов в области размещения на рынке электрооборудования, предназначенного для использования в определенных пределах напряжения". Серийный выпуск.

**ТОВАР СЕРТИФИЦИРОВАН**

Орган по сертификации "РОСТЕСТ- Москва". Адрес: 119049, г. Москва, улица Житная, д. 14, стр. 1; 117418, Москва, Нахимовский просп., 31 (фактический). Телефон: (499) 1292311, (495) 6682893, Факс: (495) 6682893, E-mail: office@rostest.ru

Изготовитель: Изготовитель: Блэк энд Декер Холдингс ГмБХ, Германия, 65510, Идштайн, ул. Блэк энд Декер, 40, тел. +496126212790.

Уполномоченное изготовителем юр.лицо:

ООО "Стэнли Блэк энд Декер", 117485, город Москва, улица Обручева, дом 30/1, строение 2  
Телефон: + 7 (495) 258-3981, факс: + 7 (495) 258-3984, E-mail: inbox@dewalt.com  
Сведения о импортере указаны в сопроводительной документации и/или на упаковке

**Хранение.**

Необходимо хранить в сухом месте, вдали от источников повышенных температур и воздействия солнечных лучей. При хранении необходимо избегать резкого перепада температур. Хранение без упаковки не допускается

**Срок службы.**

Срок службы изделия составляет 5 лет. Не рекомендуется к эксплуатации по истечении 5 лет хранения с даты изготовления без предварительной проверки.

Дата изготовления (код даты) указана на корпусе инструмента. Код даты, который также включает год изготовления, отштампован на поверхности корпуса изделия.

Пример:

2014 46 XX, где 2014 –год изготовления, 46-неделя изготовления. Определить месяц изготовления по указанной неделе изготовления можно согласно приведенной ниже таблице.

**Транспортировка.**

Категорически не допускается падение и любые механические воздействия на упаковку при транспортировке. При разгрузке/погрузке не допускается использование любого вида техники, работающей по принципу зажима упаковки.

**Перечень критических отказов, возможные ошибочные действия персонала.**

- Не допускается эксплуатация изделия:
- При появлении дыма из корпуса изделия
- При поврежденном и/или оголенном сетевом кабеле
- при повреждении корпуса изделия, защитного кожуха, рукоятки
- при попадании жидкости в корпус
- при возникновении сильной вибрации
- при возникновении сильного искрения внутри корпуса

**Критерии предельных состояний.**

- При поврежденном и/или оголенном сетевом кабеле
- при повреждении корпуса изделия

Месяц	Январь	Февраль	Март	Апрель	Май	Июнь	Июль	Август	Сентябрь	Октябрь	Ноябрь	Декабрь	Год производства
Неделя	1	5	9	14	18	23	27	31	36	40	44	49	2018
	2	6	10	15	19	24	28	32	37	41	45	50	
	3	7	11	16	20	25	29	33	38	42	46	51	
	4	8	12	17	21	26	30	34	39	43	47	52	
			13		22			35			48		
Неделя	1	6	10	14	18	23	27	31	36	40	45	49	2019
	2	7	11	15	19	24	28	32	37	41	46	50	
	3	8	12	16	20	25	29	33	38	42	47	51	
	4	9	13	17	21	26	30	34	39	43	48	52	
	5					22			35		44		
Неделя	1	6	10	14	19	23	27	32	36	40	45	49	2020
	2	7	11	15	20	24	28	33	37	41	46	50	
	3	8	12	16	21	25	29	34	38	42	47	51	
	4	9	13	17	22	26	30	35	39	43	48	52	
	5				18			31			44		
Неделя	2	6	10	14	19	23	27	32	36	41	45	49	2021
	3	7	11	15	20	24	28	33	37	42	46	50	
	4	8	12	16	21	25	29	34	38	43	47	51	
	5	9	13	17	22	26	30	35	39	44	48	52	
					18			31			40		
Неделя	2	6	10	15	19	23	28	32	36	41	45	49	2022
	3	7	11	16	20	24	29	33	37	42	46	50	
	4	8	12	17	21	25	30	34	38	43	47	51	
	5	9	13	18	22	26	31	35	39	44	48	52	
				14			27			40		1	

## Сфера застосування

Кущорізи BENTS551 виробництва компанії BLACK+DECKER™ були розроблені для підрізання кущів, чагарників і ожини. Цей інструмент призначений лише для побутового використання.

## Інструкції з техніки безпеки

### Загальні правила безпеки для електричного інструмента



**Увага!** Прочитайте всі попередження та інструкції. Невиконання наведених нижче попереджень та інструкцій може призвести до ураження електричним струмом, пожежі та/або серйозних травм.

**Збережіть всі попередження та інструкції для використання в майбутньому.** Термін «електричний інструмент» в усіх попередженнях стосується використовуваних вами інструментів, що працюють від мережі енергоспоживання (з використанням електричного кабелю) або акумуляторів (без кабелю).

#### 1. Безпека робочої зони

- a. **Тримайте робочу зону чистою та добре освітленою.** Невпорядковані й темні робочі зони збільшують імовірність нещасного випадку.
- b. **Не використовуйте електричні інструменти у вибухонебезпечній атмосфері, наприклад у присутності займистих рідин, газів та пилу.** Електричні інструменти створюють іскри, що можуть запалити пил або випаровування.
- c. **Тримайте дітей та сторонніх подалі під час використання інструменту.** Відвернення уваги може призвести до втрати контролю.

#### 2. Електрична безпека

- a. **Вилка електричного інструмента має відповідати розетці. Ніколи жодним чином не змінюйте вилку. Не використовуйте адаптери з заземленими електричними інструментами.** Немодифіковані вилки та розетки, що відповідають їм, зменшують ризик ураження електричним струмом.
- b. **Уникайте контакту тіла із заземленими поверхнями, такими як труби, радіатори, плити та холодильники.** Якщо ваше тіло заземлене, збільшується ризик ураження електричним струмом.
- c. **Не залишайте електричні інструменти під дощем або за умов підвищеної вологості.** Вода, що потрапляє в електричний інструмент, підвищує ризик ураження електричним струмом.
- d. **Не використовуйте кабель живлення не за призначенням. Ніколи не переносіть, не тягніть та не відключайте електричний інструмент від**

**розетки живлення за допомогою шнура. Тримайте шнур подалі від високих температур, мастила, гострих предметів та рухомих деталей.** Пошкоджені або перекручені шнури підвищують ризик ураження електричним струмом.

- e. **При використанні електричного інструменту на вулиці, використовуйте подовжуючий шнур, що підходить для використання на вулиці.** Використання шнура, що підходить для вулиці, знижує ризик ураження електричним струмом.
  - f. **Якщо неможливо уникнути використання електричного інструменту за умов підвищеної вологості, використовуйте джерело живлення, захищене пристроєм залишкового струму (RCD).** Використання RCD знижує ризик ураження електричним струмом.
- ### 3. Особиста безпека
- a. **Будьте в стані готовності, дивіться, що ви робите, та використовуйте загальний глузд, коли ви працюєте з електричним інструментом. Не використовуйте електричний інструмент, коли ви втомлені або знаходитесь під впливом наркотичних речовин, алкоголю або ліків.** Втрата уваги при роботі з електричним інструментами можуть призвести до серйозних травм.
  - b. **Використовуйте особисті засоби безпеки. Завжди використовуйте засоби захисту очей.** Засоби безпеки, такі як протипилова маска, нековзкі безпечні черевки, захисний шолом та засоби захисту слухового апарату, які використані для відповідних умов, зменшують імовірність особистих травм.
  - c. **Уникайте випадкового запуску. Переконайтесь в тому, що перемикач знаходиться в позиції Вимк., перш ніж підключати інструмент до джерела живлення та/або акумулятора, переміщувати або переносити.** Якщо ви переносите інструмент, тримаючи палець на перемикачі, або підключаєте живлення з перемикачем в позиції Увімк., це може призвести до нещасного випадку.
  - d. **Зніміть всі налаштувальні ключі або гайкові ключі перед вмиканням електричного інструмента.** Гайковий ключ, що залишився прикріпленим до якоїсь деталі електричного пристрою, що обертається, може призвести до травм.
  - e. **Не перенапружуйтеся. Завжди утримуйте правильну постановку ніг і рівновагу.** Це дає вам змогу краще контролювати інструмент в непередбачуваних ситуаціях.
  - f. **Вдягайте відповідний одяг. Не вдягайте вільний одяг або прикраси. Тримайте ваше волосся, одяг та рукавички подалі від рухомих деталей. Вільний одяг, прикраси або довге волосся можуть зачепитися**



за рухомі деталі.

- g. Якщо передбачені пристрої для підключення до засобів виділення та збирання пилу, переконайтеся, що вони правильно підключені та використовуються. Використання таких пристроїв зменшує ризик виникнення небезпечних ситуацій, що пов'язані з потраплянням пилу.
  - h. Навіть якщо ви добре знаєте інструмент та часто його використовуйте, не розслабляйтесь та не забувайте про принципи техніки безпеки. Необережні дії можуть за долю секунди призвести до важких тілесних ушкоджень.
4. Використання електричного інструмента та догляд за ним
    - a. Не застосовуйте надмірні зусилля під час роботи з інструментом. Використовуйте електричний інструмент, який відповідає завданню, що виконується. Правильно обраний інструмент виконає завдання краще та безпечніше за умов, для яких він був розроблений.
    - b. Не використовуйте інструмент, вмикач якого не вмикає та не вимикає його. Будь-який електричний інструмент, який не може управлятися вмикачем, є небезпечним і має бути відремонтований.
    - c. Відключіть вилку від джерела живлення та/або зніміть акумуляторний блок з електричного інструмента перед тим, як робити будь-які налаштування, змінювати додаткове обладнання чи зберігати електричні інструменти. Ці профілактичні заходи зменшують ризик випадкового запуску електричного інструмента.
    - d. Зберігайте вимкнені електричні інструменти подалі від дітей та не дозволяйте особам, що не знайомі з електричним інструментом або цими інструкціями, використовувати електричний інструмент. Електричні інструменти є небезпечними, якщо вони використовуються некваліфікованими користувачами.
    - e. Технічне обслуговування електричних інструментів. Перевіряйте несумісність або заїдання рухомих деталей, наявність ушкоджених частин та інших умов, що можуть впливати на роботу електричного інструмента. Якщо є пошкодження, відремонтуйте електричний інструмент перед використанням. Багато нещасних випадків є результатом того, що інструмент не пройшов відповідного технічного обслуговування.
    - f. Тримайте ріжучі інструменти гострими та чистими. Правильно доглянуті ріжучі інструменти з гострими ріжучими кромками мають меншу ймовірність заїдання, та ними легше керувати.
    - g. Використовуйте електричний інструмент, приладдя та деталі інструмента тощо у

відповідності до цих інструкцій, зважаючи на умови використання та роботу, яка має бути виконана. Використання електричних інструментів не за призначенням може призвести до виникнення небезпечних ситуацій.

- h. **Всі ручки та поверхні для тримання інструменту повинні бути сухими та без залишків мастила.** Слизькі ручки та поверхні для тримання не дають можливості безпечно працювати та контролювати інструмент у неочікуваних ситуаціях.
5. Обслуговування
    - a. Надавайте ваш електричний інструмент для обслуговування кваліфікованим спеціалістом з ремонту та використовуйте тільки ідентичні замінні деталі. Це забезпечить безпеку електричного пристрою.

### Додаткові правила безпеки для електричного інструмента



**Увага!** Додаткові інструкції з техніки безпеки для кущорізів.

- ◆ Тримайте всі частини тіла подалі від ріжучого леза. Не видаляйте обрізані гілки та не тримайте гілки, що підлягають обрізанню, коли ножі рухаються. При очищенні застряглих гілок не забудьте вимкнути пристрій. Втрата уваги при роботі з інструментами може призвести до серйозних травм.
- ◆ Переносіть кущоріз за ручку з зупиненим ріжучим лезом. При транспортуванні або зберіганні кущорізу завжди використовуйте кришку для ріжучого пристрою. Відповідний догляд за кущорізом знизить ймовірність травм лезами.
- ◆ При транспортуванні або зберіганні кущорізу завжди використовуйте кришку для ножа. Відповідний догляд за кущорізом знизить можливий ризик травм лезами.
- ◆ При видаленні застряглого матеріалу або обслуговуванні приладу переконайтеся, що всі вимикачі живлення вимкнені з шнура живлення від'єднаний. Раптове увімкнення кущоріза при видаленні застряглого матеріалу або обслуговуванні може привести до серйозних травм.
- ◆ Не користуйтеся кущорізом у погану погоду, особливо коли є ризик удару блискавки. Це зменшує ризик ураження розрядом блискавки.
- ◆ Тримайте електричний інструмент лише за ізольовану поверхню ручки, тому що лезо може торкнутися схованих електричних кабелів. При контакті ріжучих лез з дротом під напругою може з'явитися напруга в металевих деталях інструменту,

що може призвести до ураження оператора електричним струмом.

- ◆ **Тримайте всі шнури і кабелі живлення подалі від зони різання.** Шнури або кабелі живлення можуть бути приховані в живоплотах або кущах і можуть бути випадково обрізані ножом.
- ◆ Використання за призначенням описане в цьому керівництві з використання. Використання аксесуарів або приладдя, або виконання будь-яких дій з інструментом, що суперечать рекомендаціям цього керівництва, може призвести до ризику травмування людини та/або пошкодження майна.
- ◆ Якщо ви не використовували куцоріз раніше, рекомендується отримати практичний інструктаж від досвідченого користувача, крім вивчення цього керівництва.
- ◆ Ніколи не торкайтесь леза, коли інструмент увімкнений.
- ◆ Ніколи не намагайтесь силою зупиняти леза.
- ◆ Ніколи не кладіть інструмент, доки леза повністю не зупиняться.
- ◆ Регулярно перевіряйте леза на наявність пошкоджень та зносу. Не використовуйте інструмент, якщо леза пошкоджені.
- ◆ Намагайтесь оминати тверді предмети (наприклад, металеві дроти, огорожа) при підрізанні. Якщо ви випадково торкнетесь такого предмету, негайно вимкніть інструмент та перевірте його на наявність пошкоджень.
- ◆ Якщо інструмент починає занадто сильно вібрувати, відразу вимкніть його та відключіть від мережі живлення, а потім перевірте його на наявність пошкоджень.
- ◆ Якщо інструмент застряг, негайно вимкніть його. Відключіть пристрій від мережі живлення перед тим, як витягати застрягли гілки.
- ◆ Після використання встановіть на леза футляр, що входить до комплекту поставки. Під час зберігання інструмента переконайтесь, що ніж закрито.
- ◆ При використанні інструменту переконайтесь, що всі захисні прилади встановлені на місце. Ніколи не використовуйте не повністю зібраний інструмент або інструмент, що був модифікований не в авторизованому сервісному центрі.
- ◆ Не дозволяйте дітям використовувати цей інструмент.
- ◆ При підстриганні верхніх гілок кущів слідкуйте за обрізками, які падають.
- ◆ Завжди тримайте інструмент обома руками та за передбачені ручки.

### Залишкові ризики

Під час використання інструмента можуть виникнути додаткові залишкові ризики, які не внесено до

попереджень щодо техніки безпеки в цьому посібнику.

Ці ризики можуть виникнути як результат неправильного використання, тривалого використання тощо.

Незважаючи на виконання всіх відповідних правил техніки безпеки та використання захисних пристроїв, неможливо уникнути деяких залишкових ризиків. Сюди належать:

- ◆ Травми через контакт з деталями, що рухаються/обертаються.
- ◆ Травми під час заміни деталей, пильних полотен або аксесуарів.
- ◆ Травми через занадто тривале використання інструменту. Під час використання будь-якого інструменту протягом тривалого періоду часу не забувайте робити регулярні перерви.
- ◆ Порушення слуху.
- ◆ Небезпека для здоров'я через вдихання пилу, що утворюється під час використання інструменту (наприклад, при роботі з деревом, особливо з дубом, буком та ДВП).

### Вібрація

Значення вібрації, вказані в технічних даних та в декларації про відповідність виміряні з дотриманням стандартних методів тестування, наданих в EN 62841, та їх можна використовувати для порівняння одного інструмента з іншим. Задекларовані значення вібрації можна також використовувати для попередньої оцінки впливу вібрації.

**Увага!** Значення вібрації під час використання інструмента може відрізнятись від задекларованого в залежності від способів використання інструмента. Рівень вібрації може перевищувати вказані значення.

Оцінюючи вплив вібрації для визначення заходів безпеки за вимогами 2002/44/ЕС, щоб захистити людей, які регулярно використовують інструменти в роботі, необхідно враховувати реальні умови та способи використання інструмента, у тому числі всі періоди робочого циклу, наприклад час, коли інструмент вимкнено та коли він працює в режимі холостого ходу, а також час, потрібний для запуску інструмента.

### Написи на інструменті

Наступні піктограми нанесено на інструмент разом з кодом дати:



**Увага!** Щоб зменшити ризик травм, користувач повинен прочитати посібник з експлуатації.



Використовуйте захисні окуляри під час роботи з інструментом.



При роботі з даним інструментом слід використовувати засоби захисту органів слуху.



Негайно відключіть шнур від мережі живлення, у разі пошкодження або перерізання



Не залишайте інструмент під дощем та за умов підвищеної вологості.



У Директиві 2000/14/ЕС вказана гарантована звукова потужність.

## Електрична безпека



Цей зарядний пристрій має подвійну ізоляцію; тому заземлення не є необхідним. Завжди перевіряйте відповідність джерела живлення напрузі, яка вказана на табличці з паспортними даними.

- ◆ Якщо шнур живлення пошкоджений, його необхідно замінити у виробника або в офіційному сервісному центрі компанії BLACK+DECKER для уникнення небезпеки.
- ◆ При використанні інструменту на вулиці використовуйте подовжуючий шнур, що підходить для використання поза приміщеннями. Можна використовувати відповідний подовжуючий шнур BLACK+DECKER довжиною до 30 м без втрати потужності.
- ◆ Рівень електричної безпеки можна також підвищити, використовуючи висоочутливий пристрій залишкового струму (RCD) 30 мА.

## Компоненти

Цей пристрій оснащено всіма або кількома з указаних нижче компонентів.

1. Пильний диск
2. Захисний кожух
3. Ручка-дужка
4. Кнопка блокування
5. Тригерний перемикач
6. Ручка перемикача
7. Фіксатор шнура
8. Пильне полотно
9. Кнопка обертання
10. Футляр

## Монтаж

**Увага!** Перед монтажем переконайтеся, що інструмент вимкнений та відключений від мережі живлення, а також

що на лезах встановлений футляр.

## Встановлення захисного кожуха на куцоріз (рис. А)

Куцоріз постачається з захисним кожухом, який не прикріплений до нього. Прикріплення захисного кожуха:

- ◆ Витягніть гвинт, що фіксує захисний кожух, (11) за допомогою викрутки Phillips (не входить до комплекту інструменту).
- ◆ Розташуйте захисний кожух на місці, як показано на рис. А. Переконайтеся, що отвори захисного кожуха знаходяться в пазах (12) пристрою.
- ◆ Вставте гвинт (11), що фіксує захисний кожух, в отвір на боці захисного кожуха та добре затягніть його, як показано на рис. А.

**Увага!** Використовуйте куцоріз лише з правильно встановленими ручкою та захисним кожухом. Використання куцоріза без правильно встановленої ручки або захисного кожуха може призвести до серйозних травм.

## Прикріплення подовжуючого шнура до куцоріза (рис. В)

Фіксатор шнура (7) знаходиться на задній стороні ручки перемикача (6).

- ◆ Зігніть кінець подовжуючого шнура ближче до його кінця так, щоб утворилася петля.
- ◆ Вставте петлю у корпус фіксатора шнура, як показано на рис. В.
- ◆ Повісьте петлю на фіксатор шнура (7) так, щоб вона була добре закріплена у фіксаторі шнура.
- ◆ Підключіть подовжуючий шнур до пристрою.

## Використання

**Увага!** Інструмент повинен працювати з рекомендованою швидкістю. Не перевантажуйте його.

Перевірте живі огорожі і куці на зайві предмети, як-от дротяні паркани та електричні кабелі.

Перед роботою з куцорізом користувач має упевнитися, що пристрій або пристрої блокування будь-якого рухомого елемента (наприклад, розсувний вал або поворотний елемент), якщо є, знаходиться у заблокованому положенні.

## Увімкнення та вимкнення

**Примітка.** Для вашої безпеки цей інструмент оснащено системою подвійного вмикання. Система дозволяє уникати випадкового запуску пристрою та дозволяє використовувати його, тримаючи лише обома руками.

## Увімкнення (рис. Е)

- ◆ Щоб увімкнути інструмент, відведіть кнопку блокування (4) на допоміжній ручці (3) назад та натисніть перемикач Увімк./Вимк. (5). Відтисніть аварійний

вимикач ручці у вигляді дужки (За) як показано на рисунку С. Як тільки прилад запрацює, можна відпустити кнопку блокування. Щоб пристрій працював, необхідно постійно утримувати тригерний перемикач. Відпустіть перемикач Увімк./Вимк., щоб вимкнути інструмент.

**Увага!** Ніколи не намагайтесь заблокувати перемикач у положенні Увімк.

### Обертання бокової ручки (рис. D)

Бокову ручку можна обертати на 180°. При обертанні ручку можна додатково зупинити під кутом 0°, 45° та 90°, що ідеально підходить для бокового зрізання та чагарників закругленої або складної форми.

Для обертання бокової ручки натисніть на кнопку обертання (9) і поверніть у необхідному напрямку як показано на рисунку D. На рисунку D зображено ручку у положенні під 90° ліворуч, 0° та 90° праворуч.

### Вірне положення рук (рис. E)

Завжди тримайте куцоріз, як показано на рисунках у цьому посібнику, з однією рукою на ручці перемикача, а іншою на допоміжній ручці (рис. E). Ніколи не тримайте пристрій за захисний кожух леза.

### Рекомендації щодо підрізання кущів

#### Подовжуючий шнур (рис. F)

- ◆ Завжди утримуйте подовжуючий шнур за куцорізом та подалі від зони підрізання, як показано на рис. F. Ніколи не вішайте його на куц, який підрізуєте. Якщо ви розрізали або пошкодили шнур, негайно відключіть його від мережі живлення, а потім огляньте його та відремонтуйте.

#### Робоче положення

- ◆ Стежте за відповідним положенням ніг та рівновагою, не перенапружуйтесь.
- ◆ Використовуйте захисні окуляри, неслизькі черевики та гумові рукавиці під час роботи.
- ◆ Міцно візьміть інструмент в обидві руки та увімкніть його. Завжди тримайте куцоріз, як показано на рис. D, з однією рукою на ручці перемикача, а іншою на допоміжній ручці. Ніколи не тримайте інструмент за захисний кожух леза.

#### Підрізання нових гілок (рис. G)

- ◆ Найбільш ефективно використовувати широкі розмашісті рухи, підносячи зубці леза до гілок. Найкращий результат досягається при незначному нахилі леза донизу у напрямку руху.

**Увага!** Не використовуйте куцоріз для підрізання гілок більше ніж на 16 мм. Використовуйте куцоріз лише для

підрізання звичайних кущів біля будівель.

#### Вирівнювання кущів (рис. H)

- ◆ Щоб отримати рівні кущі, потрібно натягнути волосінь вздовж кущів в якості напрямної.

#### Підрізання кущів з боків (рис. I)

- ◆ Починайте з нижньої частини та йдіть вгору.

#### Пильне полотно (рис. J)

- ◆ Якщо гілки занадто великі для обрізання ріжучим полотном (1), скористайтесь пильним полотном (8). Розмістіть пильне полотно якомога ближче до нижньої частини гілки. Встановіть опору пильного полотна (9) біля гілки. Увімкніть куцоріз, як описано вище, дозволяючи йому працювати з власною швидкістю до повного зрізання гілки.

Ріжучі леза зроблені з високоякісної загартованої сталі, та за умов нормального використання вони не потребують повторного загострення. Однак якщо ви випадково торкнетесь дротяного паркана (рис. L), каміння, скла або інших твердих предметів, на вашому лезі може з'явитися дефект. Цей дефект можна не видаляти, якщо він не заважає лезам рухатися. Якщо він заважає лезам, відключіть шнур та скористайтесь напилком з мілкою насічкою або точильник каменем, щоб зняти цей дефект. Якщо куцоріз упав, уважно огляньте його на наявність пошкоджень. Якщо у куцоріза зігнулося лезо, тріснув корпус, зламалися ручки або виникли інші пошкодження, що можуть впливати на роботу пристрою, зверніться до місцевого сервісного центру BLACK+DECKER для виконання ремонту, перш ніж продовжувати користуватися пристроєм.

Добрива та інші хімічні сполуки, що використовуються в саду, містять речовини, що можуть збільшити ймовірність корозії металу. Не зберігайте пристрій біля добрив та інших хімічних речовин.

#### Змащення ріжучого полотна (рис. L)

- ◆ Після використання від'єднайте від живлення.
- ◆ Ретельно нанесіть розчинник смоли на ріжучі леза, що виступають.
- ◆ Під'єднайте до живлення і поверніть куцоріз вертикально з лезами до землі та запустіть його на кілька секунд для повного розподілення змащувальної речовини.
- ◆ Тримайте руки подалі від леза насуньте футляр 10 на лезо поки він не стане на місце як показано на рисунку L.

#### Приладдя

Продуктивність роботи інструмента залежить від приладдя, яке ви використовуєте. Витратні матеріали

виробництва компанії BLACK+DECKER розроблені з дотриманням високих стандартів якості та створені для підвищення ефективності використання вашого інструмента. Використовуючи це обладнання, ви отримаєте максимум ефективності від вашого інструменту.

### Технічне обслуговування

Ваш пристрій з кабелем або без нього виробництва компанії BLACK+DECKER призначений для роботи протягом довгого часу з мінімальним обслуговуванням. Тривала задовільна робота приладу залежить від належного обслуговування приладу та регулярного його очищення.

Мастило для змащування можна придбати у дилерах компанії BLACK+DECKER (кат. № A6102-XJ).

**Увага!** Перед виконанням будь-якого технічного обслуговування інструмента зі шнуром живлення або без нього виконайте такі дії.

- ◆ Вимкніть інструмент та відключіть його від мережі живлення.
- ◆ Або вимкніть інструмент та витягніть акумулятор з нього, якщо ваш пристрій має окремий акумуляторний блок.
- ◆ Або повністю розрядіть акумулятор, якщо пристрій має вбудований акумулятор, а потім вимкніть інструмент.
- ◆ Витягніть зарядний пристрій з розетки перед очищенням. Зарядний пристрій не вимагає технічного обслуговування, потрібно лише виконувати регулярне очищення.
- ◆ Регулярно очищуйте вентиляційні отвори пристрою/інструмента/зарядного пристрою за допомогою м'якої щітки або сухої ганчірки.
- ◆ Регулярно очищайте корпус двигуна вологою ганчіркою. Не використовуйте абразивні очищувачі та засоби, що містять розчинники.
- ◆ Ретельно очистіть леза після використання. Після очищення застосуйте тонкий шар машинного масла для запобігання появі іржі на лезах.

### Заміна шнура живлення (тільки для Великобританії та Ірландії)

Якщо потрібно встановити нову вилку живлення:

- ◆ Зніміть стару вилку та утилізуйте її, дотримуючись правил техніки безпеки.
- ◆ Приєднайте коричневий провідник до активного виходу нової вилки.
- ◆ Приєднайте блакитний провідник до нейтрального виходу.

**Увага!** Жоден провід не повинен бути підключений до клеми заземлення. Дотримуйтесь інструкцій щодо встановлення, які постачаються з якісними вилками.

Плавкий запобіжник, що рекомендується: 5 А.

### Захист навколишнього середовища



Роздільний збір. Пристрої та батареї, позначені цим символом, не можна викидати зі звичайним побутовим сміттям.

Пристрої та батареї містять матеріали, які можна відновити та переробити, що зменшить потребу у сировині.

Будь ласка, віддавайте електричні інструменти та батареї на переробку відповідно до місцевих постанов.

Більш детальну інформацію можна отримати на сайті [www.2helpU.com](http://www.2helpU.com)

### Пошук та усунення несправностей

Проблема	Можлива причина	Можливе рішення
Пристрій рухається повільно, спричиняє шум або нагрівання лез.	<p>Сухі, заіржавілі леза.</p> <p>Зігнуті леза або опори леза.</p> <p>Зігнуті або пошкоджені зубці.</p> <p>Незатягнені болти леза.</p>	<p>Змістіть леза.</p> <p>Розігніть лезо або опору леза.</p> <p>Вирівняйте зубці.</p> <p>Затягніть болти леза.</p>
Пристрій не запускається.	<p>Важіль блокування опущений не повністю.</p> <p>Шнур не підключений до мережі живлення.</p> <p>Спрацював мережевий запобіжник</p> <p>Переривник струму відключився.</p> <p>Шнур живлення або вимикач пошкоджено.</p>	<p>Переконайтесь, що важіль блокування повністю знаходиться попереду, перед натисненням на тригерний перемикач.</p> <p>Підключіть шнур до робочої розетки.</p> <p>Замініть мережевий запобіжник (Якщо у пристрої регулярно згорає запобіжник, негайно припиніть його використання та зверніться до сервісного центру компанії BLACK+DECKER або іншого офіційного сервісного центру).</p> <p>Перезапустіть переривник струму. (Якщо у пристрої регулярно вимикається переривник струму, негайно припиніть його використання та зверніться до сервісного центру компанії BLACK+DECKER або іншого офіційного сервісного центру).</p> <p>Замініть шнур або вимикач у сервісному центрі компанії BLACK+DECKER або іншому офіційному сервісному центрі.</p>

**Технічні характеристики**

		VENTS551 Тип 1
Напруга	V <sub>AC</sub>	230
Вхідна потужність	Вт	650
Довжина ходу леза (без навантаження)	хв. <sup>1</sup>	1840
Довжина ножа	см	60
Зазор леза	мм	25
Час зупинки леза	с	<1
Макс. розмір пил'яним полотном	мм	35
Маса	кг	3,1

**Рівень звукового тиску згідно з EN 62841:**Звуковий тиск на місці роботи оператора (L<sub>ра</sub>) 87,5 дБ(А), похибка (К) 1,1 дБ(А)Звукова потужність (L<sub>ва</sub>) 98,5 дБ(А), похибка (К) 1,3 дБ(А)**Загальні значення вібрації (векторна сума трьох векторів) згідно з EN 62841:**Значення вібрації при роботі (a<sub>h, v</sub>) 3,8 м/с<sup>2</sup>, похибка (К) 1,5 м/с<sup>2</sup>**Декларація про відповідність нормам ЄС**ДИРЕКТИВА ПРО ШУМИ,  
ЩО ВИНИКАЮТЬ ПОЗА ПРИМІЩЕННЯМИ

VENTS551 – Кущоріз

Компанія Black & Decker заявляє, що продукти, описані в розділі «Технічні характеристики» відповідають: 2006/42/EC, EN 62841-1:2015, EN 62841-4-2:2019

2000/14/EC, Кущоріз, Додаток V, DEKRA Certification B.V., Meander 1051 / P.O. Box 5185 6825 MJ ARNHEM/6802 ED ARNHEM, Нідерланди

Ідентифікаційний № уповноваженого органу: 0344  
Вимірний рівень звукового тиску (L<sub>pA</sub>) 87,5 дБ(А);  
похибка К: 1,1 дБ(А).

Гарантована звукова потужність (L<sub>wa</sub>) 100 дБ(А)

Ці продукти також відповідають вимогам Директив 2014/30/EU та 2011/65/EU.

Для отримання додаткової інформації зверніться до компанії Black & Decker за наступною адресою або прочитайте інформацію на зворотній стороні цього посібника.

Особа, яка підписалася нижче, несе відповідальність за упорядкування файлу технічних характеристик та робить цю заяву від компанії Black & Decker.

Бенкі Котсворт  
Директор Outdoor Products Group  
Black & Decker Europe, 270 Bath Road, Slough,  
Berkshire, SL1 4DX  
United Kingdom (Великобританія)

**Гарантія**

Компанія Black & Decker впевнена у якості своєї продукції та пропонує споживачам гарантію терміном 24 місяці з дати покупки. Ця гарантія доповнює і жодним чином не обмежує ваші законні права. Ця гарантія є чинною на території країн-членів Європейського Союзу та в європейській зоні вільної торгівлі.

Позов за гарантією повинен відповідати умовам компанії Black & Decker, при цьому вам необхідно надати доказ купівлі продавцю або спеціалісту офіційного сервісного центру. Про умови 2-річної гарантії компанії Black & Decker та місцезнаходження найближчого сервісного центру можна дізнатися в інтернеті на сайті [www.2helpU.com](http://www.2helpU.com) або звернутися до місцевого представництва компанії Black & Decker за адресою, вказаною у цьому посібнику.

Відвідайте наш сайт [www.blackanddecker.ua](http://www.blackanddecker.ua), щоб зареєструвати свій новий продукт Black & Decker та отримувати інформацію про нові продукти та спеціальні пропозиції.



Виробник:  
"Stanley Black & Decker Deutschland GmbH" Black-&-Decker Str.40, D-65510 Idstein, Німеччина





ГАРАНТІЙНИЙ ТАЛОН

**2 РОКИ**  
ГАРАНТІЇ

1. Вітаємо Вас з покупкою високоякісного виробу Black+Decker і висловлюємо вдячність за Ваш вибір.
2. При покупці виробу вимагайте перевірки його комплектності і справності у Вашій присутності, інструкцію з експлуатації та заповнений гарантійний талон українською мовою. В гарантійному талоні повинні бути внесені: модель, дата продажу, серійний номер, дата виробництва інструменту, назва, печатка і підпис торгової організації. За відсутності у Вас правильно заповненого гарантійного талону, а також при невідповідності зазначених у ньому даних ми будемо змушені відхилити Ваші претензії щодо якості даного виробу.
3. Щоб уникнути непорозумінь, переконливо просимо Вас перед початком роботи з виробом уважно ознайомитися з інструкцією з його експлуатації. Правовою основою справжніх гарантійних умов є чинне Законодавство. Гарантійний термін на даний виріб складає 24 місяці і обчислюється з дня продажу. У разі усунення недовліків виробу, гарантійний строк продовжується на період його перебування в ремонті. Термін служби виробу становить 5 років з дня продажу.
4. У разі виникнення будь-яких проблем у процесі експлуатації виробу рекомендуємо Вам звертатися тільки в уповноважені сервісні центри Black+Decker, адреси та телефони яких Ви зможете знайти в гарантійному талоні, на сайті [www.2helpU.com](http://www.2helpU.com) або дізнатися в магазині. Наші сервісні станції - це не тільки кваліфікований ремонт, але і широкий асортимент запчастин і аксесуарів.
5. Виробник рекомендує проводити періодичну перевірку у технічне обслуговування виробу в уповноважених сервісних центрах.
6. Наші гарантійні зобов'язання поширюються тільки на несправності, виявлені протягом гарантійного терміну і викликані дефектами виробництва та \ або матеріалів.
7. Гарантійні умови не поширюються на несправності виробу, що виникли в результаті:
  - 7.1. Недотримання користувачем приписів інструкції з експлуатації виробу, застосування виробу не за призначенням, неправильного зберігання, використання приладдя, витратних матеріалів і запчастин, що не передбачені виробником.
  - 7.2. Механічного пошкодження (відколи, тріщини і руйнування) внутрішніх і зовнішніх деталей виробу, основних і допоміжних рукояток, мережевого кабелю, що викликані зовнішнім ударним або будь-яким іншим впливом
  - 7.3. Потраплення у вентиляційні отвори та проникнення всередину виробу сторонніх предметів, матеріалів або речовин, що не є відходами, які супроводжують застосування виробу за призначенням, такими як: стружка, тирса, пісок, та ін.
  - 7.4. Впливу на виріб несприятливих атмосферних і інших зовнішніх факторів, таких як дощ, сніг, підвищена вологість, нагрівання, агресивні середовища, невідповідність параметрів електромережі, що зазначені на інструменті.
  - 7.5. Стихійного лиха. Пошкодження або втрати виробу, що пов'язані з непередбаченими лихами, стихійними явищами, у тому числі внаслідок дії непереборної сили (пожежа, блискавка, потоп і інші природні явища), а також внаслідок перепадів напруги в електромережі та іншими причинами, які знаходяться поза контролем виробника.
8. Гарантійні умови не поширюються:
  - 8.1. На інструменти, що піддавались розкриттю, ремонту або модифікації поза уповноваженим сервісним центром.
  - 8.2. На деталі, вузли та матеріали, що мають сліди природного зносу, такі як: приводні ремені і колеса, вугільні щітки, мастило, підшипники, зубчасті зчеплення редукторів, гумові ущільнення, сальники, направляючі ролики, муфти, вимикачі, бойки, штовхачі, ствольні тощо.
  - 8.3. На змінні частини: патрони, цанги, затискові гайки і фланці, фільтри, ножі, шліфувальні підшви, ланцюги, зірочки, пильні шини, захисні кожухи, пилки, абразиви, пильні і абразивні диски, фрези, свердла, бури тощо
  - 8.4. На несправності, що виникли в результаті перевантаження інструменту (як механічного, так і електричного), що спричинили вихід з ладу одночасно двох і більше деталей і вузлів, таких як: ротора і статора, обох обмоток статора, веденої і ведучої шестерень редуктора або інших вузлів і деталей. До безумовних ознак перевантаження виробу відносяться, крім інших: поява кольорів мільності, деформація або оплавлення деталей і вузлів виробу, потемніння або обуглювання ізоляції проводів електродвигуна під впливом високої температури.

Товар отриманий в справному стані, без видимих ушкоджень, в повній комплектації, перевірений у моєї присутності, претензій щодо якості товару не маю. З умовами гарантійного обслуговування ознайомлений і згоден.

П. І. Б. та підпис власника \_\_\_\_\_

**Шановні клієнти, наша мережа авторизованих сервісних центрів постійно розширюється. Актуальну інформацію про обслуговування в місті, що цікавить вас, ви можете дізнатися на сайті**

**[www.2helpU.com](http://www.2helpU.com)**

Редакція ВК/16-04-2018



Інформація про інструмент

Найменування інструменту	
Модель	
Найменування продавця	
Дата продажу	

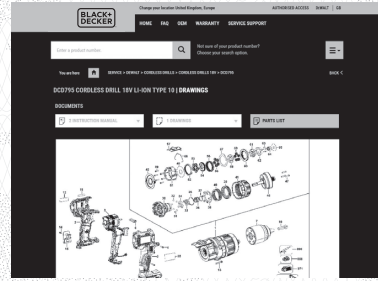
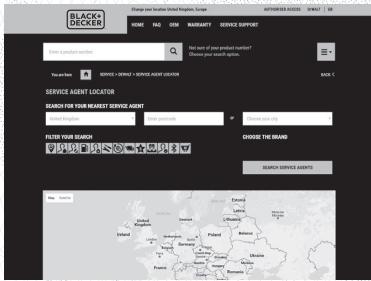
М.П.  
Продавця

Серійний номер/Дата виробництва

Інструмент	
Зарядний пристрій	
Акумулятор 1	
Акумулятор 2	

На сайті [www.2helpU.com](http://www.2helpU.com) доступні наступні функції:

- Список авторизованих сервісних центрів
- Зручний пошук найближчого сервісного центру
- Керівництво з експлуатації
- Технічні характеристики
- Список деталей і запасних частин
- Схема складання інструменту



Також дану інформацію ви можете отримати, зателефонувавши за номером:  
**0 (800) 211 521 в Україні**

ВІДМІТКА ПРО ПРОВЕДЕННЯ СЕРВІСНОГО ОБСЛУГОВУВАННЯ

№1	№2	№3	№4
№ замовлення	№ замовлення	№ замовлення	№ замовлення
Дата прийому	Дата прийому	Дата прийому	Дата прийому
Дата ремонту	Дата ремонту	Дата ремонту	Дата ремонту
Печатка і підпис сервісного центру	Печатка і підпис сервісного центру	Печатка і підпис сервісного центру	Печатка і підпис сервісного центру

