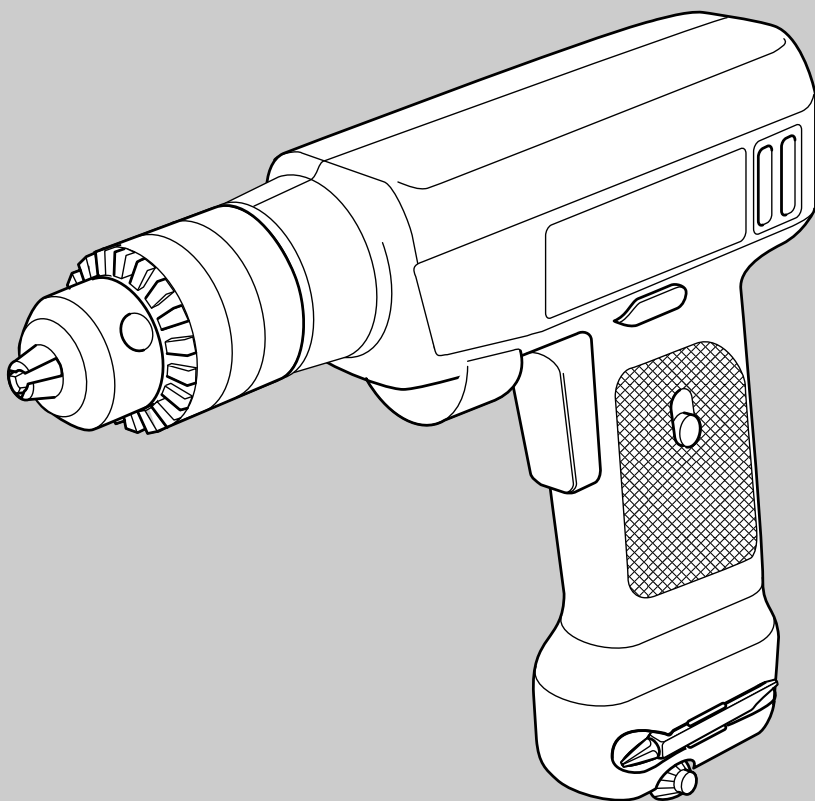


 **BLACK &  
DECKER**®



**KC9045**  
**KC9049**

# Congratulations!

*On the purchase of your  
Black & Decker cordless drill.*

To ensure the best results from your cordless drill please read these safety and usage instructions carefully. If you have any questions or queries after reading this manual please do not hesitate to call your local service and information centre (the number is towards the back of this manual).

# Contents

- Page 4* Safety instructions
  - Additional drill and charger safety instructions
- Page 5* Double insulation
  - Electrical safety
  - Mains plug replacement
  - Extension cables
  - The Black & Decker guarantee
  - After sales service for your Black & Decker product
- Page 6* The after sales service policy
  - Accessories
  - Technical data
  - Features
  - Charging your cordless drill
- Page 7* Operating your drill
  - Fitting the drill or screwdriver bit
  - Changing the chuck
  - Handy hints
- Page 8* Tool care
  - Rechargeable batteries and the environment
  - Removing the batteries
  - EC declaration of conformity
  - Black & Decker phone numbers and addresses
  - Guarantee card

# Cordless drills user manual

## SAFETY INSTRUCTIONS

**Warning!** When using electric tools, the following basic safety precautions should always be taken to reduce the risk of fire, electric shock and personal injury. Read all these instructions before attempting to operate this product and save these instructions.

### For safe operation:

- We recommend that you take appropriate measures for the protection of hearing if the sound pressure of 85 dB (A) is exceeded.
- **Keep the work area clean.** Cluttered areas and benches invite injuries.
- **Consider work area environment.** Do not expose power tools or chargers to rain. Do not use power tools in damp or wet locations. Keep work area well lit. Do not use power tools in the presence of flammable liquids or gases.
- **Guard against electric shock.** Avoid body contact with earthed or grounded surfaces (e.g. pipes, radiators, ranges, refrigerators).
- **Keep children away.** Do not let visitors touch the tool or extension cord. All visitors should be kept away from work area.
- **Store idle tools.** When not in use, tools and batteries should be stored in a dry, high or locked place, out of reach of children.
- **Do not force the tool.** It will do the job better and more safely at the rate for which it was intended.
- **Use the right tool.** Do not force small tools or attachments to do the job of a heavy duty tool. Do not use tools for purposes not intended; for example, do not use a circular saw to cut tree limbs or logs!
- **Dress properly.** Do not wear loose clothing or jewellery as they can be caught in moving parts. Rubber gloves and non-skid footwear are recommended when working outdoors. Wear protective hair covering to contain long hair.
- **Use safety glasses.** Use a face or dust mask if the cutting operation is dusty or if using in enclosed spaces.
- **Secure your work.** Use clamps or a vice to hold your work. It is safer than using your hand and it frees both hands to operate the tool.
- **Do not overreach.** Keep proper footing and balance at all times.
- **Maintain tools with care.** Keep tools sharp and clean for better and safer performance. Follow instructions for lubricating and changing accessories. Keep handles dry, clean and free from oil and grease.

- **Remove adjusting keys and wrenches.** Form the habit of checking to see that keys and adjusting wrenches are removed from tool before switching it on.
- **Avoid unintentional starting.** Do not carry a tool with a finger on the switch.
- **Stay alert.** Watch what you are doing. Use common sense. Do not operate when you are tired.
- **Check damaged parts.** Before further use of the tool, a guard or other part that is damaged should be carefully checked to determine that it will operate properly and perform its intended function. Check for alignment of moving parts, binding of moving parts, breakage of parts, mounting and any other conditions that may affect its operation. A guard or other part that is damaged should be properly repaired or replaced by an authorised service centre unless otherwise indicated in this instruction manual. Have defective switches replaced by an authorised service agent. Do not use the tool if the switch does not turn it on and off.
- **Warning!** The use of any accessory or attachment, other than recommended in this instruction manual, may present a risk of personal injury.
- **Have your tool repaired by a qualified person.** Repairs should only be carried out by qualified persons using original spare parts, otherwise considerable danger to the user may result.
- This electrical appliance is in accordance with the relevant standards.

### Charger plug and cable

- Do not tug at the cable to pull the plug from the socket.
- Make sure the cable is located so that it will not be stepped on, tripped over, or otherwise subjected to damage or stress.
- Keep the cable away from heat, oil, sharp edges and rough surfaces and always ensure it is in good condition.

## ADDITIONAL DRILL AND CHARGER SAFETY INSTRUCTIONS

- The charger is designed for indoor use only.
- **Do not operate the charger** if it has received a sharp blow, been dropped, or otherwise damaged in any way. Take it to a Black & Decker authorised repairer.
- **Never attempt to connect two chargers together.**
- **Always disconnect the supply** before making or breaking connections to the battery.
- Be aware that your drill is always in an operating condition, because it does not have to be plugged into an electrical outlet. When not in use or when

changing accessories, ensure that the lock-off button is in the top position.

- When driving screws into walls, floors etc., check where "live" electrical wires may be encountered. Do not touch any front metal parts of your drill! Hold your drill only by the plastic housing.
- **Do not** store your drill in locations where the temperature may reach or exceed 50°C/120°F (such as outside sheds or metal buildings in summer).
- **Do not** charge your drill when it or the air temperature is **below** +5°C/40°F or **above** +40°C/105°F.
- **Do not** incinerate your drill, even if it is severely damaged or is completely worn out. The batteries can explode in a fire.
- A small leakage of liquid from the battery cells may occur under extreme usage, charging or temperature conditions. This does not indicate a failure. However, if the seal is broken and this leakage gets onto your skin:
  - Wash quickly with soap and water.
  - Neutralize with a mild acid such as lemon juice or vinegar.
  - If battery liquid gets into your eyes, flush them with clean water for a minimum of 10 minutes and seek medical attention. (Medical note: The liquid is a 25-35% solution of potassium hydroxide).
- **Do not** attempt to open the housing of your drill or charger.
- Your charger and drill are specifically designed to work together.
- Do not attempt to charge any other cordless tool or battery pack with this charger. Do not attempt to charge your drill with any charger other than the one supplied with your drill.

## DOUBLE INSULATION



Your drill is double insulated. This means that all the external metal parts are electrically insulated from the mains power supply. This is done by placing insulation barriers between the electrical and mechanical components making it unnecessary for the tool to be earthed.

**Note:** Double insulation does not take the place of normal safety precautions when operating the tool. The insulation system is for added protection against injury resulting from a possible electrical insulation failure within your drill.

## ELECTRICAL SAFETY

Be sure the supply is the same as the voltage given on the rating plate of your charger. Your charger is fitted with a two-core cable and plug.

## MAINS PLUG REPLACEMENT

Should the mains plug or cordset of your charger be damaged, it must only be replaced by an authorised Black & Decker service agent because special purpose tools are required.

## EXTENSION CABLES

Up to 30m (100ft) of Black & Decker 1.00mm<sup>2</sup>, 2-core extension cable (or 3-core extension cordset, in Australia and New Zealand) can be used without undue loss of power. **Note:** An extension cable should not be used unless absolutely necessary. Use of an improper extension cable could result in a risk of fire and electric shock. If an extension cable must be used, make sure it is properly wired, contains the correct rated fuse as recommended in its literature and is in good electrical condition.

## UNWANTED TOOLS AND THE ENVIRONMENT



Should you find one day that the tool needs replacement or is of no further use, think of the protection of the environment. Black & Decker service agents will accept old tools and will dispose of them in an environmentally safe way.

## THE BLACK & DECKER GUARANTEE (UK, AUSTRALIA AND NEW ZEALAND ONLY)

If the Black & Decker product becomes defective due to faulty materials and workmanship, within 24 months from the date of purchase, we guarantee to either replace all defective parts or at our discretion, replace the unit free of charge provided that:

- The product is returned to us or our authorised repairers with evidence of date of purchase.
- The product has not been used for trade, professional or hire purposes.
- The product has not been subjected to misuse or neglect.
- The product has not sustained any damage through foreign objects, substances or accidents.
- Repairs have not been attempted by anyone other than our authorised repair distributors.

This guarantee is offered as an extra benefit and is additional to the customers statutory rights.

## AFTER SALES SERVICE FOR THE BLACK & DECKER PRODUCT (UK, AUSTRALIA AND NEW ZEALAND ONLY)

Black & Decker offers a nationwide network of authorised service agents. The use of other than genuine Black & Decker accessories and parts may damage or reduce the performance of your Black & Decker product and may also endanger the user. The terms and conditions of the warranty may also be effected.

# ENGLISH

## THE AFTER SALES SERVICE POLICY (UK, AUSTRALIA AND NEW ZEALAND ONLY)

It is our aim that all Black & Decker customers should be totally satisfied with their Black & Decker product and after sales service, but if help or advice is needed please contact a local Black & Decker authorised repair agent manager who will be happy to help. Full details of our unique after sales service can be obtained from any of our Black & Decker authorised repair agents.

## ACCESSORIES

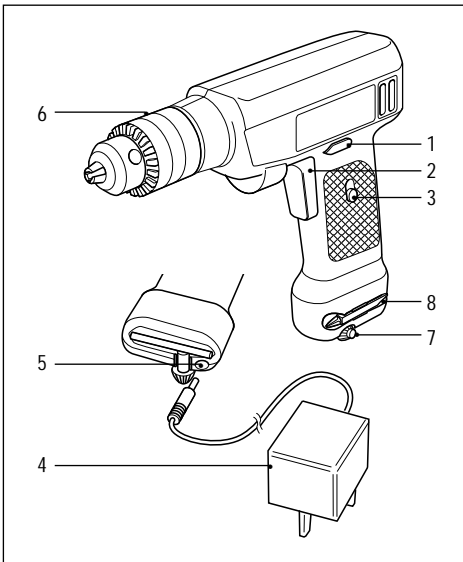
Black & Decker offer a complete range of screwdriver and drill bits. We recommend that only Black & Decker accessories are used. To enhance the performance of your drill further we recommend the use of Bullet drill bits. Please consult your local Black & Decker dealer for details.

## TECHNICAL DATA

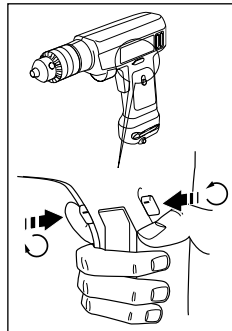
The level of sound pressure of the tool is in accordance with EEC legislation. It is recommended that you take appropriate measures for the protection of your hearing if the sound level seems uncomfortable. This normally equates to a sound pressure in excess of 85dB (A).

**Note:** This user manual also covers catalogue numbers ending with a letter suffix. Refer to your carton for details of your product.

## FEATURES



1. Forward/reverse switch
2. On/off switch
3. Lock-off button
4. Charger
5. Charging socket
6. Chuck
7. Chuck key
8. Screwdriver bits



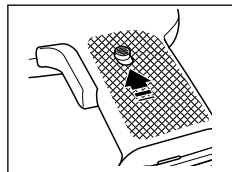
The forward/reverse switch controls the direction of rotation.

- The on/off switch is used to operate your drill in all modes of operation. It also controls the speed of your drill.
- The lock-off button prevents accidental starting of your drill. When the lock-off button is in the top position, you cannot start your drill.
- Your drill is supplied with a double function screwdriver bit. To remove, pull firmly from the recess. To replace, push firmly until it clicks into place.

## CHARGING YOUR CORDLESS DRILL

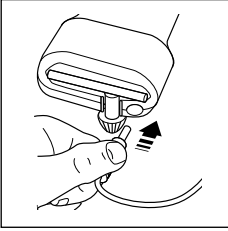
**Important!** If your drill is new, the battery must first be charged. A new drill, or one which has not been used for an extended period, achieves full performance only after approximately 5 charging and discharging cycles. Before attempting to charge your drill, read all the safety instructions.

To charge your drill, proceed as follows:



Push the lock-off button to the top position. Remove all accessories from the chuck.

Plug the output cord of the charger into the socket in the bottom of the drill handle. Plug the charger into a standard 220/240V socket. After normal usage your drill should be fully charged in 3 hours or less. If your drill is



run down completely it may take up to 8 hours to become fully charged. Your drill was sent from the factory in an uncharged condition; before attempting to use it, it must be charged for at least 6 hours.

While charging, your drill may hum and become warm to the touch; this is normal. To prolong battery life, avoid leaving your drill on charge for more than 8 hours. Although overcharging is not a safety concern, it can reduce the overall life of the batteries.

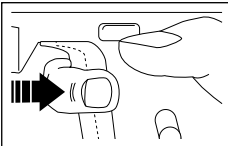
The charger can remain in the electrical socket indefinitely without adverse effect. The charger is designed to charge the battery only. Do not attempt to use it to operate your drill. If the batteries do not charge correctly, check the supply at the electrical socket with a lamp or other appliance. If the electricity supply is satisfactory and your drill is still not charging, take or send your drill and charger to your local Black & Decker authorised repair agent. Disconnect the charger from the electricity supply before disconnecting the charger from your drill. Under certain conditions, with the charger connected to the electricity supply and the charger disconnected from your drill, metallic waste material can short the exposed charging plug and cause a fire.

## OPERATING YOUR DRILL

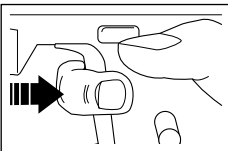
To start your drill, proceed as follows:

Set the lock-off button to the bottom position.

Depress the on/off switch.



For low speed operation, depress the switch half way.



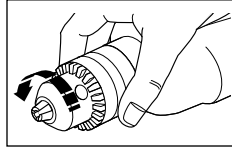
For high speed operation, depress the on/off switch fully.

**Note:** There is a short pause between speeds. Continue to depress the switch and your drill will start again.

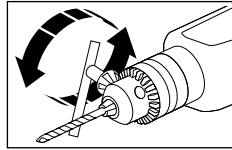
To stop your drill, release the on/off switch.

## FITTING THE DRILL OR SCREWDRIVER BIT

Make sure the lock-off switch is in the top position.



Rotate the barrel of the chuck until the jaws are sufficiently open. Insert the drill bit into the jaws of the chuck.

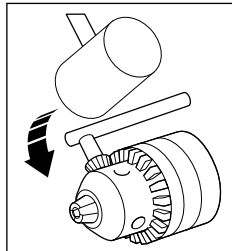


Insert the chuck key, with its end in one of the three holes of the chuck body and the head of the chuck key engaged with the barrel of the chuck.

Turn the chuck key clockwise to tighten the jaws and securely grip the drill bit. Remove the chuck key. For perfect tightening you should tighten at all three key locations.

## CHANGING THE CHUCK

Make sure the forward/reverse switch is set to the centre (lock-off) position.



To remove the chuck, open the jaws of the chuck with the chuck key. Hold the chuck firmly in one hand, and with a screwdriver turn the screw set in the chuck clockwise with the other hand until it comes out. Use only the

correct chuck key. Place the chuck key into the chuck, and hold the drill firmly in one hand with the chuck pointing away from you. Rotate the chuck so that the chuck key is just above the horizontal position on the right hand side of the machine. Give the crossbar end of the key a sharp downward blow with a mallet or light hammer. The chuck should now be sufficiently loose to be unscrewed by hand. To fasten the chuck, put it on the thread and turn it clockwise until it stops. Put in the screw and turn it anti-clockwise until absolutely firm.

## HANDY HINTS

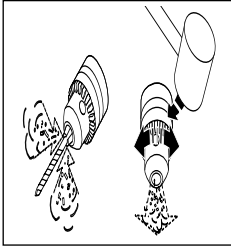
- Clamp the workpiece securely.
- When drilling thin material, use a 'back up' block to prevent damage to the workpiece when the drill breaks through. Just before the tip breaks through to the opposite side, decrease the pressure on the drill; this will give a clean hole.
- Use sharp drill bits only.

# ENGLISH

- When using your drill as a screwdriver, always use the correct size and type of screwdriver bit.
- When using your drill as a screwdriver, lubricating the screws can assist in fitting the screw. The usual lubricants are either soap or washing liquid. Apply a little to the screw.
- When drilling wood, use twist drill bits.
- When drilling metal, use high speed twist drill bits.
- When drilling ferrous metals, use a lubricant. Iron and brass are drilled without a lubricant.
- Make an indentation with a centre punch at the centre of the required hole. This will improve the accuracy.
- Always apply pressure in a straight line with the drill bit.

## TOOL CARE

Do not put excessive pressure on your drill. Use sufficient pressure to keep your drill/driver biting, but do not push hard enough to stall the motor.



After use, remove the drill bit, open the chuck jaws fully and tap the side of the chuck to remove any sawdust.

## RECHARGEABLE BATTERIES AND THE ENVIRONMENT

Black & Decker cordless tools use nickel cadmium (NiCad) batteries or battery packs which can be charged many times to give long life and repeatedly full power.



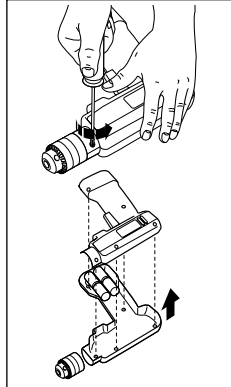
This symbol indicates the NiCad batteries contained within this unit must be disposed of properly and not discarded in everyday household waste which may be disposed of in an incinerator or landfill site.

NiCad batteries can be harmful to the environment and can explode when exposed to fire. **Do not incinerate.** Therefore, when your tool or battery pack needs replacing, think of the protection of our environment.

Black & Decker recommends the following:

Discharge batteries completely by running the unit until the energy is completely discharged and then remove from the tool.

## REMOVING THE BATTERIES



This should only be done when you want to discard the tool, in order to recycle the batteries. Remove the four screws securing the two halves of the clamshell. Open the clamshell and remove the batteries. Dispose of the batteries in an environmentally safe manner.

## EC DECLARATION OF CONFORMITY

We declare that units: **KC9045, KC9049** conform to 89/392/EEC, 89/336/EEC, EN55014, EN60335, EN55104, EN50144, EN61000  
A weighted sound pressure 70dB (A)  
A weighted sound power 83dB (A)  
Hand/arm vibration  $<2.5\text{m/s}^2$

Colin Wills - Director of Engineering  
BDCI, 4/F, 2 Dai Wang Street, Tai Po Industrial Estate,  
Tai Po NT, Hong Kong

The Black & Decker policy is one of continuous improvement to our product and as such we reserve the right to change the product specification without prior notice.





---

<b>Australia</b>	Black & Decker (A'asia) Pty Ltd 286-288 Maroondah Highway North Croydon, Victoria 3136	Tel: 03 9213 8200 Fax: 03 9726 7150
<b>New Zealand</b>	Black & Decker 483 Great South Road Penrose, Auckland	Tel: 09 579 7600 Fax: 09 579 8200
<b>South Africa</b>	Black & Decker South Africa (Pty) Ltd Suite no 107, PostNet X65 Halfway House 1685	Tel: 011 314 4431 Fax: 011 314 4435
<b>United Kingdom</b>	Black & Decker 210 Bath Road, Slough Berkshire SL1 3YD	Tel: 01753 574277 Tlx: 848317 BAND MH Fax: 01753 551155

---

Address of the dealer where your cordless drill was purchased:

Date of your purchase:

Name: \_\_\_\_\_

House number or name and street: \_\_\_\_\_

Town: \_\_\_\_\_

County or state: \_\_\_\_\_

Postcode: \_\_\_\_\_

Country: \_\_\_\_\_

Product catalogue number: **KC904** / \_\_\_\_\_

**Data protection act:** Tick this box if you prefer **not** to receive information from Black & Decker or other companies.

Yes

No

Was your cordless drill a gift?

Was your cordless drill your first purchase?

Was your cordless drill bought as a replacement?

What was the price of your cordless drill? \_\_\_\_\_

Address of the dealer where your cordless drill was purchased:

---

---

---

---

## **GUARANTEE CARD**

**Australia:** Call 1 900 937766 (the maximum call charge is \$2.00 excluding tax)

**New Zealand:** Call 0900 97766 (the maximum call charge is \$2.00 excluding tax)

**South Africa:** Black & Decker South Africa (Pty) Ltd, Suite no 107, PostNet X65, Halfway House 1685

**United Kingdom & Ireland:** PO Box 821, Slough, Berkshire, SL1 3AR



Please complete this section immediately after the purchase of your cordless drill and post it to the Black & Decker address in your country (above).

If you live in Australia or New Zealand, please register your purchase by phone.