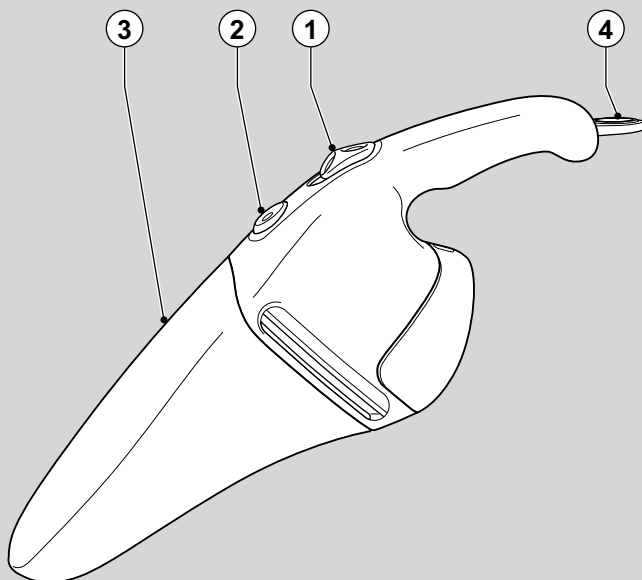




BLACK & DECKER®

www.blackanddecker.co.uk

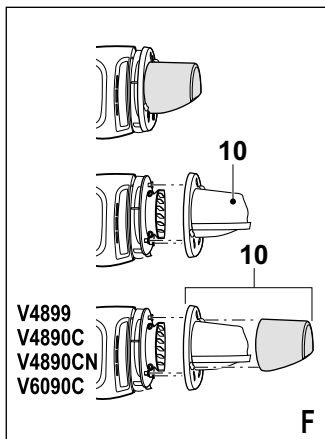
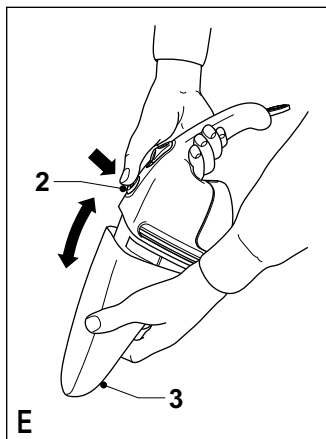
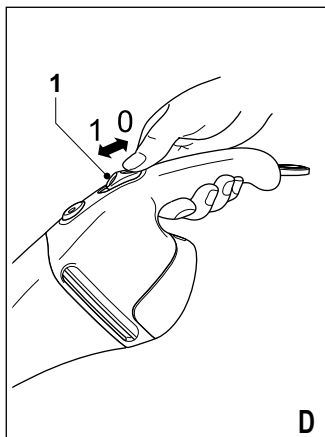
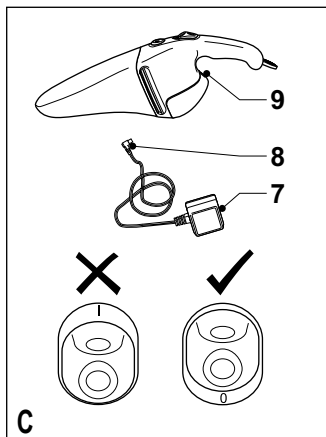
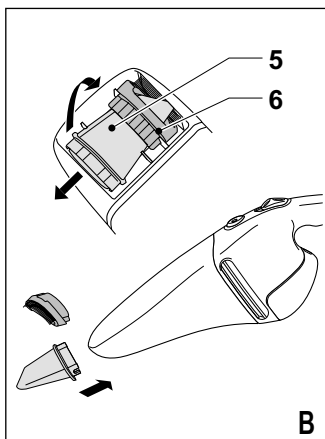
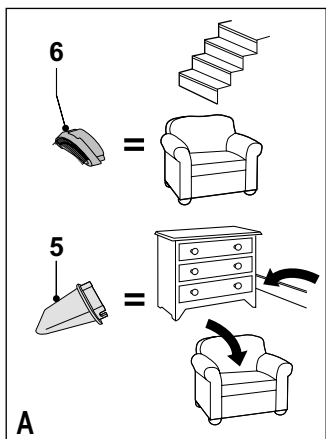


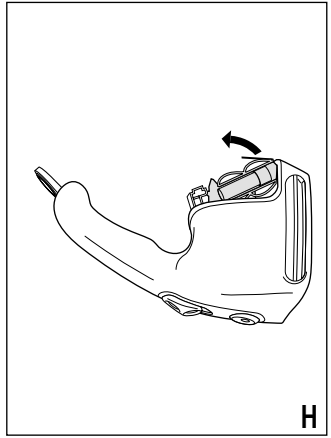
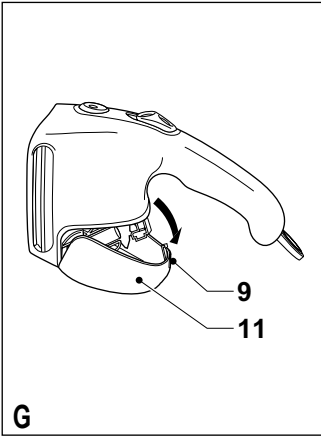
UK

Ireland

Australia

New Zealand





Intended use

Your Black & Decker Dustbuster® hand held vacuum cleaner has been designed for light dry vacuum cleaning purposes. This product is intended for household use only.

Safety instructions

- ◆ **Warning!** When using battery-powered appliances, basic safety precautions, including the following, should always be followed to reduce the risk of fire, leaking batteries, personal injury and material damage.
- ◆ Read this manual carefully before using the appliance.
- ◆ The intended use is described in this manual. The use of any accessory or attachment or the performance of any operation with this appliance other than those recommended in this instruction manual may present a risk of personal injury.
- ◆ Retain this manual for future reference.

Using your appliance

- ◆ Do not use the appliance to pick up liquids or any materials that could catch fire.
- ◆ Do not use the appliance near water. Do not immerse the appliance in water.
- ◆ Never pull the charger lead to disconnect the charger from the socket. Keep the charger lead away from heat, oil and sharp edges.

After use

- ◆ Unplug the charger before cleaning it.
- ◆ When not in use, the appliance should be stored in a dry place. Children should not have access to stored appliances.

Inspection and repairs

- ◆ Before use, check the appliance for damaged or defective parts. Check for breakage of parts, damage to switches and any other conditions that may affect its operation.
- ◆ Do not use the appliance if any part is damaged or defective.

- ◆ Have any damaged or defective parts repaired or replaced by an authorised repair agent.
- ◆ Regularly check the charger lead for damage. Replace the charger if the lead is damaged or defective.
- ◆ Never attempt to remove or replace any parts other than those specified in this manual.

Battery and charger

- ◆ Never attempt to open the battery.
- ◆ Do not expose the battery to water.
- ◆ Do not incinerate the battery.
- ◆ Do not expose the charger to water.
- ◆ Do not open the charger.

Electrical safety

Your charger has been designed for a specific voltage. Always check that the mains voltage corresponds to the voltage on the rating plate. Never attempt to replace the charger unit with a regular mains plug.

Symbols on the charger



Your charger is double insulated; therefore no earth wire is required.



Fail safe isolating transformer. The mains supply is electrically separated from the transformer output.



The charger automatically shuts off if the ambient temperature becomes too high. As a consequence the charger will be inoperable. The unit must be disconnected from the mains supply and taken to an authorised service centre for repair.



The charger is intended for indoor use only.



Read the manual carefully before using the appliance.

Features (fig. A)

1. On/off switch
2. Release button
3. Dust bowl
4. Hanging loop

Fig. A

5. Crevice tool (V2401/V2405/V3605/V4890C/V4890CN/V4899/V6090C)
6. Brush tool (V2401/V2405/V3605/V4890C/V4890CN/V4899/V6090C)

Assembly

V2401/V2405/V3605/V4890C/ V4890CN/V4899/V6090C -

Fitting the accessories (fig. A & B)

These models are supplied with the following accessories:

- ◆ a crevice tool (5) for confined spaces
- ◆ a brush tool (6) for furniture and stairs

To fit an accessory, proceed as follows:

- ◆ Take the accessories from the appliance.
- ◆ Insert the appropriate accessory into the front of the appliance.

You may refit the other accessory by clicking it into the accessory holder.

To refit both accessories:

- ◆ Slide the crevice tool into the brush.
- ◆ Push the accessories down until they click into place.

Use

- ◆ The appliance can be charged while placed on a worktop or hung on the wall using the wall hook provided. The wall hook is not provided with V1999 and V1999N.
- ◆ Before first use, the battery must be charged for at least 16 hours.
- ◆ Leave the appliance connected to the charger whenever it is not in use.

Charging the battery (fig. A)

- ◆ Make sure that the appliance is switched off. The battery will not be charged with the on/off switch in the on position.

- ◆ Insert the charger plug (8) into the charger connector (9) at the rear of the appliance.
- ◆ Plug in the charger (7).
- ◆ Switch on at the mains.
- ◆ Leave the appliance to charge for at least 16 hours.

Whilst charging, the charger may become warm. This is normal and does not indicate a problem. The appliance can be left connected to the charger indefinitely.

Warning! Do not charge the battery at ambient temperatures below 10 °C or above 40 °C.

Switching on and off (fig. D)

- ◆ To switch on, slide the on/off switch (1) forward.
- ◆ To switch off, slide the on/off switch back.

Cleaning and maintenance

Warning! Regularly clean the filters.

Cleaning the dust bowl and filters (fig. E & F)

The filters are re-usable and should be cleaned regularly.

- ◆ Press the release button (2) and remove the dust bowl (3).
- ◆ Empty the dust bowl.
- ◆ Remove the filter assembly (10) by twisting it clockwise.
- ◆ Wash the filters in warm, soapy water. The bowl can also be washed if necessary. Do not immerse the appliance in water.
- ◆ Make sure the dust bowl and filters are dry.
- ◆ Refit the filter assembly (10) onto the appliance, twisting it counterclockwise until it locks into place.
- ◆ Refit the dust bowl onto the appliance. Make sure the dust bowl clicks into place.

Warning! Never use the appliance without the filters. Optimum dust collection will only be achieved with clean filters and an empty dust bowl.

Replacing the filters

The filters should be replaced every 6 to 9 months and whenever worn or damaged. Replacement filters are available from your Black & Decker dealer (cat. no. VF30).

- ◆ Remove the old filters as described above.
- ◆ Fit the new filters as described above.

Protecting the environment



Separate collection. This product must not be disposed of with normal household waste.

Should you find one day that your Black & Decker product needs replacement, or if it is of no further use to you, do not dispose of it with household waste.

Make this product available for separate collection.



Separate collection of used products and packaging allows materials to be recycled and used again. Re-use of recycled materials helps prevent environmental pollution and reduces the demand for raw materials.

Local regulations may provide for separate collection of electrical products from the household, at municipal waste sites or by the retailer when you purchase a new product.

Black & Decker provides a facility for the collection and recycling of Black & Decker products once they have reached the end of their working life. To take advantage of this service please return your product to any authorised repair agent who will collect them on our behalf.

You can check the location of your nearest authorised repair agent by contacting your local Black & Decker office at the address indicated in this manual.

Alternatively, a list of authorised Black & Decker repair agents and full details of our after-sales service and contacts are available on the Internet at: www.2helpU.com

Battery (fig. G & H)



If you want to dispose of the product yourself, the battery must be removed as described below and disposed of in accordance with local regulations.

Warning! Disconnect the appliance from the power supply before removing the battery.

- ◆ Preferably discharge the battery by operating the appliance until the motor stops.
- ◆ Remove the dust bowl (3).
- ◆ Using a flat-blade screwdriver, push the battery cover (12) in at the notch above the charger connector (9), so that it unclips and can be removed.
- ◆ Take hold of the battery casing to pull the battery out of the appliance.
- ◆ Place the battery in suitable packaging to ensure that the terminals cannot be short-circuited.
- ◆ Take the battery to your service agent or a local recycling station.

Warning! Once removed, the battery cannot be refitted.

Technical data

| | V1999 | V2401 |
|--------------|-----------|-----------|
| | V1999N | V2405 |
| Voltage | V 2.4 | 2.4 |
| Battery type | NiCd/NiMH | NiCd/NiMH |
| Weight | kg 0.9 | 0.9 |

| | V3601 V3605 | V4890C V4890CN V4899 |
|--------------|----------------|----------------------------|
| Voltage | V 3.6 | 4.8 |
| Battery type | NiCd/NiMH | NiCd/NiMH |
| Weight | kg 0.9 | 0.9 |

| V6090C | | |
|--------------|--------|--|
| Voltage | V 6.0 | |
| Battery type | NiCd | |
| Weight | kg 1.0 | |

Charger

| | |
|-----------------------|---------------------|
| Input voltage | V _{AC} 230 |
| Approx. charging time | h 16 |

EC declaration of conformity

V1999 H 1/V1999N H 1/V2401 H 1/
V2405 H 1/V3601 H 1/V3605 H 1/
V4890C H 1/V4890CN H 1/V4899 H 1/
V6090C H 1

Black & Decker declares that these
products conform to:
73/23/EEC, EN 60335

The undersigned is responsible for
compilation of the technical file and
makes this declaration on behalf
of Black & Decker.



Kevin Hewitt
Director of Consumer Engineering
Spennymoor, County Durham DL16 6JG,
United Kingdom
1-12-2008

Guarantee

Black & Decker is confident of the quality
of its products and offers an outstanding
guarantee. This guarantee statement is
in addition to and in no way prejudices
your statutory rights.

The guarantee is valid within the territories
of the Member States of the European
Union and the European Free Trade Area.

If a Black & Decker product becomes
defective due to faulty materials,
workmanship or lack of conformity, within
24 months from the date of purchase,
Black & Decker guarantees to replace
defective parts, repair products subjected
to fair wear and tear or replace such
products to ensure minimum
inconvenience to the customer unless:

- ◆ The product has been used for trade,
professional or hire purposes;
- ◆ The product has been subjected to
misuse or neglect;
- ◆ The product has sustained damage
through foreign objects, substances
or accidents;
- ◆ Repairs have been attempted by
persons other than authorised repair
agents or Black & Decker service
staff.

To claim on the guarantee, you will need
to submit proof of purchase to the seller
or an authorised repair agent. You can
check the location of your nearest
authorised repair agent by contacting
your local Black & Decker office at the
address indicated in this manual.
Alternatively, a list of authorised
Black & Decker repair agents and full
details of our after-sales service and
contacts are available on the Internet at:
www.2helpU.com

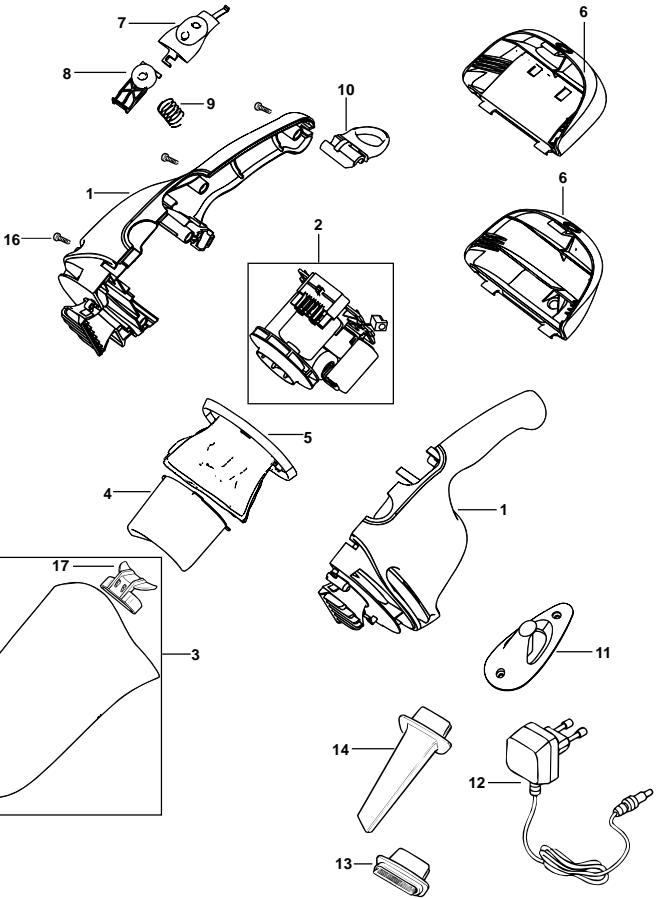
Please visit our website

www.blackanddecker.co.uk to register
your new Black & Decker product and to
be kept up to date on new products and
special offers. Further information on the
Black & Decker brand and our range of
products is available at
www.blackanddecker.co.uk



V1999(N) - V2401(N) - V2405(N) - V2405B(N) - V3601
V3605 - V3605G - V4899 - V4890C(N) - V6090C(N)

TYP.
H1



E13916

www.2helpU.com

17 - 12 - 08

©

| | | | |
|-----------------------|--|-------------------------|--|
| Australia | Black & Decker (Australia) Pty. Ltd. 20 Fletcher Road, Mooroolbark, Victoria, 3138 | Tel. Fax | 03-8720 5100 03-9727 594065 |
| New Zealand | Black & Decker 5 Te Apunga Place Mt Wellington Auckland 1060 | Tel. Fax | +64 9 259 1133 +64 9 259 1122 |
| United Kingdom | Black & Decker 210 Bath Road Slough, Berkshire SL1 3YD | Tel. Fax Helpline | 01753 511234 01753 551155 01753 574277 |