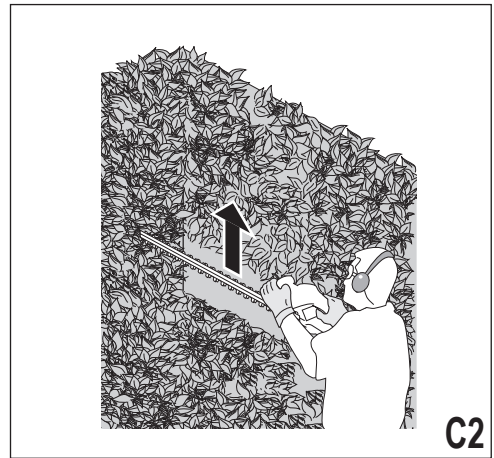
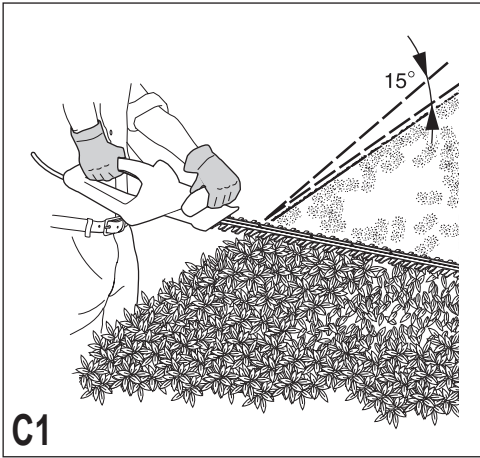
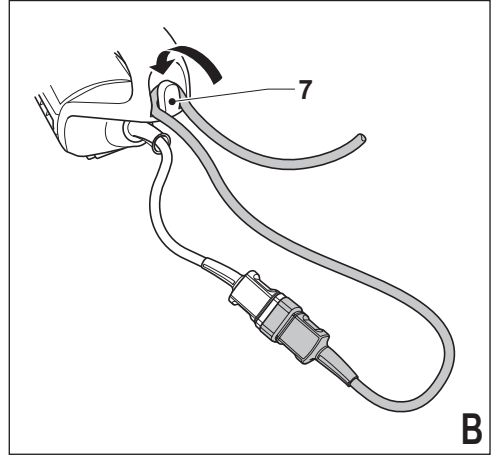
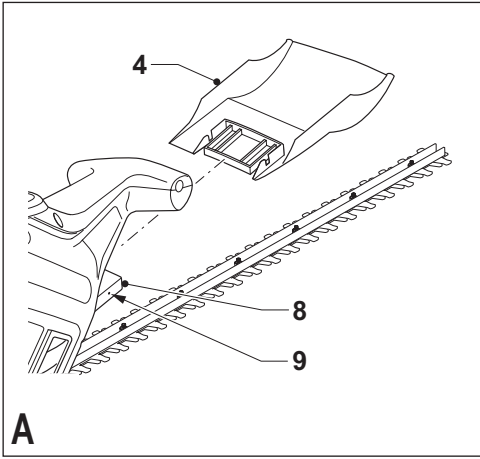


**GT90**  
**GT100**  
**GT110**  
**GT115**

<b>English</b>	<b>(Original instructions)</b>	<b>4</b>
<b>Deutsch</b>	<b>(Übersetzung der Originalanleitung)</b>	<b>10</b>
<b>Français</b>	<b>(Traduction des instructions d'origine)</b>	<b>16</b>
<b>Italiano</b>	<b>(Traduzione delle istruzioni originali)</b>	<b>22</b>
<b>Nederlands</b>	<b>(Vertaling van de originele instructies)</b>	<b>28</b>
<b>Español</b>	<b>(Traducción de las instrucciones originales)</b>	<b>34</b>
<b>Português</b>	<b>(Tradução das instruções originais)</b>	<b>40</b>
<b>Svenska</b>	<b>(Översättning av de ursprungliga anvisningarna)</b>	<b>46</b>
<b>Norsk</b>	<b>(Oversettelse av de opprinnelige instruksjonene)</b>	<b>51</b>
<b>Dansk</b>	<b>(Oversættelse af de originale instruktioner)</b>	<b>56</b>
<b>Suomi</b>	<b>(Alkuperäisten ohjeiden käännös)</b>	<b>62</b>
<b>Ελληνικά</b>	<b>(Μετάφραση των αρχικών οδηγιών)</b>	<b>67</b>



## Intended use

Your Black & Decker hedge trimmer has been designed for trimming hedges, shrubs and brambles. This tool is intended for consumer use only.

## Safety instructions

### General power tool safety warnings



**Warning! Read all safety warnings and all instructions.** Failure to follow the warnings and instructions listed below may result in electric shock, fire and/or serious injury.

### Save all warnings and instructions for future reference.

The term "power tool" in all of the warnings listed below refers to your mains operated (corded) power tool or battery operated (cordless) power tool.

#### 1. Work area safety

- a. **Keep work area clean and well lit.** Cluttered or dark areas invite accidents.
- b. **Do not operate power tools in explosive atmospheres, such as in the presence of flammable liquids, gases or dust.** Power tools create sparks which may ignite the dust or fumes.
- c. **Keep children and bystanders away while operating a power tool.** Distractions can cause you to lose control.

#### 2. Electrical safety

- a. **Power tool plugs must match the outlet. Never modify the plug in any way. Do not use any adapter plugs with earthed (grounded) power tools.** Unmodified plugs and matching outlets will reduce risk of electric shock.
- b. **Avoid body contact with earthed or grounded surfaces such as pipes, radiators, ranges and refrigerators.** There is an increased risk of electric shock if your body is earthed or grounded.
- c. **Do not expose power tools to rain or wet conditions.** Water entering a power tool will increase the risk of electric shock.
- d. **Do not abuse the cord. Never use the cord for carrying, pulling or unplugging the power tool. Keep cord away from heat, oil, sharp edges or moving parts.** Damaged or entangled cords increase the risk of electric shock.
- e. **When operating a power tool outdoors, use an extension cord suitable for outdoor use.** Use of a cord suitable for outdoor use reduces the risk of electric shock.
- f. **If operating a power tool in a damp location is unavoidable, use a residual current device (RCD) protected supply.** Use of an RCD reduces the risk of electric shock.

#### 3. Personal safety

- a. **Stay alert, watch what you are doing and use common sense when operating a power tool. Do not use a power tool while you are tired or under the influence of drugs, alcohol or medication.** A moment of inattention while operating power tools may result in serious personal injury.
- b. **Use personal protective equipment. Always wear eye protection.** Protective equipment such as dust mask, non-skid safety shoes, hard hat, or hearing protection used for appropriate conditions will reduce personal injuries.
- c. **Prevent unintentional starting. Ensure the switch is in the off-position before connecting to power source and/or battery pack, picking up or carrying the tool.** Carrying power tools with your finger on the switch or energising power tools that have the switch on invites accidents.
- d. **Remove any adjusting key or wrench before turning the power tool on.** A wrench or a key left attached to a rotating part of the power tool may result in personal injury.
- e. **Do not overreach. Keep proper footing and balance at all times.** This enables better control of the power tool in unexpected situations.
- f. **Dress properly. Do not wear loose clothing or jewellery. Keep your hair, clothing and gloves away from moving parts.** Loose clothes, jewellery or long hair can be caught in moving parts.
- g. **If devices are provided for the connection of dust extraction and collection facilities, ensure these are connected and properly used.** Use of dust collection can reduce dust-related hazards.

#### 4. Power tool use and care

- a. **Do not force the power tool. Use the correct power tool for your application.** The correct power tool will do the job better and safer at the rate for which it was designed.
- b. **Do not use the power tool if the switch does not turn it on and off.** Any power tool that cannot be controlled with the switch is dangerous and must be repaired.
- c. **Disconnect the plug from the power source and/or the battery pack from the power tool before making any adjustments, changing accessories, or storing power tools.** Such preventive safety measures reduce the risk of starting the power tool accidentally.
- d. **Store idle power tools out of the reach of children and do not allow persons unfamiliar with the power tool or these instructions to operate the power tool.** Power tools are dangerous in the hands of untrained users.
- e. **Maintain power tools. Check for misalignment or binding of moving parts, breakage of parts and any other condition that may affect the power tools operation. If damaged, have the power tool repaired before use.** Many accidents are caused by poorly maintained power tools.

- f. **Keep cutting tools sharp and clean.** Properly maintained cutting tools with sharp cutting edges are less likely to bind and are easier to control.
  - g. **Use the power tool, accessories and tool bits etc. in accordance with these instructions, taking into account the working conditions and the work to be performed.** Use of the power tool for operations different from those intended could result in a hazardous situation.
5. **Service**
- a. **Have your power tool serviced by a qualified repair person using only identical replacement parts.** This will ensure that the safety of the power tool is maintained.

### Additional power tool safety warnings



**Warning!** Additional safety warnings for hedge trimmers

- ◆ **Keep all parts of the body away from the cutter blade. Do not remove cut material or hold material to be cut when blades are moving. Make sure the switch is off when clearing jammed material.** A moment of inattention while operating the tool can result in serious personal injury.
- ◆ **Carry the hedge trimmer by the handle with the cutter blade stopped. When transporting or storing the hedge trimmer always fit the cutting device cover.** Proper handling of the hedge trimmer will reduce possible personal injury from the cutter blades.
- ◆ **Keep cable away from cutting area.** During operation the cable can be hidden in shrubs and can be accidentally cut the handle.
- ◆ This tool is not intended for use by persons (including children) with reduced physical, sensory or mental capabilities, or lack of experience and knowledge, unless they have been given supervision or instruction concerning use of the tool by a person responsible for their safety. Children should be supervised to ensure that they do not play with the tool.
- ◆ The intended use is described in this instruction manual. The use of any accessory or attachment or performance of any operation with this tool other than those recommended in this instruction manual can present a risk of personal injury and/or damage to property.
- ◆ Do not carry the tool with your hands on the front handle, switch or the trigger switch unless the battery has been removed.
- ◆ If you have not used a hedge trimmer before, preferably seek practical instruction by an experienced user in addition to studying this manual.
- ◆ Never touch the blades while the tool is running.
- ◆ Never attempt to force the blades to come to a standstill.

- ◆ Do not put the tool down until the blades have come to a complete standstill.
- ◆ Regularly check the blades for damage and wear. Do not use the tool when the blades are damaged.
- ◆ Take care to avoid hard objects (e.g. metal wire, railings) when trimming. Should you accidentally hit any such object, immediately switch the tool off and check for any damage.
- ◆ Should the tool start to vibrate abnormally, immediately switch it off and check for any damage.
- ◆ If the tool stalls, immediately switch it off. Remove the battery before attempting to remove any obstructions.
- ◆ After use, place the blade sheath supplied over the blades. Store the tool, making sure that the blade is not exposed.
- ◆ Always ensure that all guards are fitted when using the tool. Never attempt to use an incomplete tool or a tool with unauthorised modifications.
- ◆ Never allow children to use the tool.
- ◆ Be aware of falling debris when cutting the higher slides of a hedge.
- ◆ Always hold the tool with both hands and by the handles provided.

### Safety of others

- ◆ This appliance is not intended for use by persons (including children) with reduced physical, sensory or mental capabilities, or lack of experience and knowledge, unless they have been given supervision or instruction concerning use of the appliance by a person responsible for their safety.
- ◆ Children should be supervised to ensure that they do not play with the appliance.

### Vibration

The declared vibration emission values stated in the technical data and the declaration of conformity have been measured in accordance with a standard test method provided by EN 60745 and may be used for comparing one tool with another. The declared vibration emission value may also be used in a preliminary assessment of exposure.

**Warning!** The vibration emission value during actual use of the power tool can differ from the declared value depending on the ways in which the tool is used. The vibration level may increase above the level stated.

When assessing vibration exposure to determine safety measures required by 2002/44/EC to protect persons regularly using power tools in employment, an estimation of vibration exposure should consider, the actual conditions of use and the way the tool is used, including taking account of all parts of the operating cycle such as the times when the tool is switched off and when it is running idle in addition to the trigger time.

## Labels on tool

The following pictograms are shown on the tool:



**Warning!** To reduce the risk of injury, the user must read the instruction manual.



Always wear safety glasses and ear protection.



Wear gloves when operating this tool.



Immediately disconnect the cable from the mains if it is damaged or cut.



Do not expose the tool to rain or high humidity.

## Electrical safety



This tool is double insulated; therefore no earth wire is required. Always check that the power supply corresponds to the voltage on the rating plate.

- ◆ If the supply cord is damaged, it must be replaced by the manufacturer or an authorised Black & Decker Service Centre in order to avoid a hazard.

## Using an extension cable

Always use an approved extension cable suitable for the power input of this tool (see technical data). The extension cable must be suitable for outdoor use and marked accordingly. Up to 30 m of 1.5 mm<sup>2</sup> HO5V V-F extension cable can be used without loss of product performance. Before use, inspect the extension cable for signs of damage, wear and ageing. Replace the extension cable if damaged or defective. When using a cable reel, always unwind the cable completely.

## Features

This tool includes some or all of the following features.

1. Trigger switch
2. Front handle switch
3. Front handle
4. Guard
5. Blade

6. Blade sheath
7. Cable restraint

This hedge trimmer has the following features for your benefit:

- ◆ Ergonomically formed handles for comfortable cutting.
- ◆ Machined blades for improved cutting.
- ◆ Dual action blades for reduced vibration.

## Assembly

**Warning!** Before assembly, make sure that the tool is switched off and unplugged and that the blade sheath is fitted over the blades.

## Fitting the guard (fig. A)

- ◆ Locate the guard (4) into the mounting bracket (8).
- ◆ Push the guard into the bracket until it clicks into place.

**Warning!** Never use the tool without the guard.

## Connecting the tool to the mains (fig. B)

Unless the tool is fitted with a mains cable, you will need to connect an extension cable to the power inlet.

- ◆ Connect the female socket of a suitable extension cable to the power inlet of the tool.
- ◆ Loop the cable through the cable restraint (7) as shown to prevent the extension cable from becoming detached during use.
- ◆ Insert the mains plug into a mains outlet.

**Warning!** The extension cable must be suitable for outdoor use. When using a cable reel, always unwind the cable completely.

## Use

**Warning!** Let the tool work at its own pace. Do not overload.

- ◆ Carefully guide the cable in order to avoid accidentally cutting it. A good way to control the cable is by putting it over your shoulder.
- ◆ For your safety, this tool is equipped with a double switching system. This system prevents starting the tool inadvertently and will only allow operation while holding the tool with both hands.

## Switching on and off

### Switching on

- ◆ Take hold of the front handle (3) with one hand so that the front handle switch (2) is pushed into the body of the tool.
- ◆ With the other hand, squeeze the trigger switch (1) to start the tool.

### Switching off

- ◆ Release the handle switch (2) or the trigger switch (1).

**Warning!** Never attempt to lock a switch in the on position.

## Hints for optimum use

- ◆ Start by trimming the top of the hedge. Slightly tilt the tool (up to 15° relative to the line of cut) so that the blade tips point slightly towards the hedge (fig. C1). This will cause the blades to cut more effectively. Hold the tool at the desired angle and move it steadily along the line of cut. The double-sided blade allows you to cut in either direction.
- ◆ In order to obtain a very straight cut, stretch a piece of string along the length of the hedge at the desired height. Use the string as a guideline, cutting just above it.
- ◆ In order to obtain flat sides, cut upwards with the growth. Younger stems move outwards when the blade cuts downwards, causing shallow patches in the hedge (fig. C2).
- ◆ Take care to avoid any foreign objects. Especially avoid hard objects such as metal wire and railings, as these could damage the blades.
- ◆ Regularly oil the blades.

## Guidelines for trimming (UK & Ireland)

- ◆ Trim hedges and shrubs with seasonal leaves (new leaves every year) in June and October.
- ◆ Trim evergreens in April and August.
- ◆ Trim conifers and other fast growing shrubs every six weeks from May until October.

## Guidelines for trimming (Australia & New Zealand)

- ◆ Trim hedges and shrubs with seasonal leaves (new leaves every year) in December and March.
- ◆ Trim evergreens in September and February.
- ◆ Trim conifers and other fast growing shrubs every six weeks from October until March.

## Maintenance

Your Black & Decker corded/cordless appliance/tool has been designed to operate over a long period of time with a minimum of maintenance. Continuous satisfactory operation depends upon proper tool care and regular cleaning.

**Warning!** Before performing any maintenance on corded/cordless power tools:

- ◆ Switch off and unplug the appliance/tool.
- ◆ Or switch off and remove the battery from the appliance/tool if the appliance/tool has a separate battery pack.
- ◆ Or run the battery down completely if it is integral and then switch off.
- ◆ Unplug the charger before cleaning it. Your charger does not require any maintenance apart from regular cleaning.
- ◆ Regularly clean the ventilation slots in your appliance/tool/charger using a soft brush or dry cloth.
- ◆ Regularly clean the motor housing using a damp cloth. Do not use any abrasive or solvent-based cleaner.
- ◆ Regularly open the chuck and tap it to remove any dust from the interior (when fitted).

## Removing the guard (fig. A)

**Warning!** Remove the guard for servicing purposes only. Always re-fit the guard after finishing servicing.

- ◆ Insert small pins into the holes (9) at either side of the bracket (8) and pull the guard (4) forward.
- ◆ Remove the pins and take the guard off the tool.

## Mains plug replacement (U.K. & Ireland only)

If a new mains plug needs to be fitted:

- ◆ Safely dispose of the old plug.
- ◆ Connect the brown lead to the live terminal in the new plug.
- ◆ Connect the blue lead to the neutral terminal.

**Warning!** No connection is to be made to the earth terminal. Follow the fitting instructions supplied with good quality plugs. Recommended fuse: 5 A.

## Troubleshooting

If the tool does not operate correctly, check the following.

Fault	Possible cause	Action
Tool will not start.	Blown fuse.	Replace fuse.
	Tripped RCD.	Check RCD.
	Mains lead not connected.	Check mains supply.

## Protecting the environment



Separate collection. This product must not be disposed of with normal household waste.

Should you find one day that your Black & Decker product needs replacement, or if it is of no further use to you, do not dispose of it with household waste. Make this product available for separate collection.



Separate collection of used products and packaging allows materials to be recycled and used again. Re-use of recycled materials helps prevent environmental pollution and reduces the demand for raw materials.

Local regulations may provide for separate collection of electrical products from the household, at municipal waste sites or by the retailer when you purchase a new product.

Black & Decker provides a facility for the collection and recycling of Black & Decker products once they have reached the end of their working life. To take advantage of this service please return your product to any authorised repair agent who will collect them on our behalf.

You can check the location of your nearest authorised repair agent by contacting your local Black & Decker office at the address indicated in this manual. Alternatively, a list of authorised Black & Decker repair agents and full details of our after-sales service and contacts are available on the Internet at: [www.2helpU.com](http://www.2helpU.com)

**Technical data**

		GT90 TYPE 3	GT100 TYPE 3	GT110 TYPE 3	GT115 TYPE 3
Input voltage	V <sub>AC</sub>	230	230	230	230
Power input	W	380	400	420	420
Blade strokes (no load)	min <sup>-1</sup>	1,900	1,900	1,900	1,900
Blade length	cm	42	42	50	55
Blade gap	mm	16	16	16	16
Blade brake time	s	< 1.0	< 1.0	< 1.0	< 1.0
Weight (excl. supply cord)	kg	2.2	2.2	2.3	2.4

Vibration total values (triax vector sum) according to EN 60745:

Vibration emission value (a<sub>h</sub>), 1.9 m/s<sup>2</sup>, uncertainty (K) 1.5 m/s<sup>2</sup>

**EC declaration of conformity**

MACHINERY DIRECTIVE  
OUTDOOR NOISE DIRECTIVE



GT90/GT100/GT110/GT115

Black & Decker declares that these products described under "technical data" are in compliance with:

98/37/EC (until Dec. 28, 2009), 2006/42/EC (from Dec. 29, 2009), EN 60745-1, EN 60745-2-15

2000/14/EC, Hedge trimmer 1400 min<sup>-1</sup>, Annex V  
L<sub>WA</sub> (measured sound power) 96,5 dB(A)  
L<sub>WA</sub> (guaranteed sound power) 99 dB(A)

These products also comply with directive 2004/108/EC. For more information, please contact Black & Decker at the following address or refer to the back of the manual.

The undersigned is responsible for compilation of the technical file and makes this declaration on behalf of Black & Decker.

Kevin Hewitt  
Vice-President Global Engineering  
Black & Decker Europe, 210 Bath Road, Slough,  
Berkshire, SL1 3YD  
United Kingdom  
8-9-2009

**Guarantee**

Black & Decker is confident of the quality of its products and offers an outstanding guarantee. This guarantee statement is in addition to and in no way prejudices your statutory rights. The guarantee is valid within the territories of the Member States of the European Union and the European Free Trade Area.

If a Black & Decker product becomes defective due to faulty materials, workmanship or lack of conformity, within 24 months from the date of purchase, Black & Decker guarantees to replace defective parts, repair products subjected to fair wear and tear or replace such products to ensure minimum inconvenience to the customer unless:

- ◆ The product has been used for trade, professional or hire purposes;
- ◆ The product has been subjected to misuse or neglect;
- ◆ The product has sustained damage through foreign objects, substances or accidents;
- ◆ Repairs have been attempted by persons other than authorised repair agents or Black & Decker service staff.



To claim on the guarantee, you will need to submit proof of purchase to the seller or an authorised repair agent. You can check the location of your nearest authorised repair agent by contacting your local Black & Decker office at the address indicated in this manual. Alternatively, a list of authorised Black & Decker repair agents and full details of our after-sales service and contacts are available on the Internet at:

**[www.2helpU.com](http://www.2helpU.com)**

Please visit our website **[www.blackanddecker.co.uk](http://www.blackanddecker.co.uk)** to register your new Black & Decker product and to be kept up to date on new products and special offers. Further information on the Black & Decker brand and our range of products is available at **[www.blackanddecker.co.uk](http://www.blackanddecker.co.uk)**

## Bestimmungsgemäße Verwendung

Ihre Black & Decker Heckenschere wurde zum Schneiden von Hecken und Sträuchern entwickelt. Dieses Gerät ist nicht für den gewerblichen Einsatz vorgesehen.

## Sicherheitshinweise

### Allgemeine Warnhinweise zur Sicherheit von Elektrowerkzeugen



**Achtung! Lesen Sie sämtliche Sicherheitswarnhinweise und sonstigen Anweisungen.**

Die Nichteinhaltung der nachstehend aufgeführten Warnhinweise und sonstigen Anweisungen kann einen elektrischen Schlag, Brand und/oder schwere Verletzungen verursachen.

### Bewahren Sie alle Warnhinweise und sonstigen Anweisungen zur künftigen Bezugnahme auf.

Der nachfolgend verwendete Begriff "Gerät" bezieht sich auf netzbetriebene Geräte (mit Netzkabel) und auf akkubetriebene Geräte (ohne Netzkabel).

#### 1. Sicherheit am Arbeitsplatz

- a. **Halten Sie Ihren Arbeitsbereich sauber und gut ausgeleuchtet.** Unordnung und dunkle Arbeitsbereiche fördern Unfälle geradezu heraus.
- b. **Arbeiten Sie mit Geräten nicht in explosionsgefährdeter Umgebung, in der sich brennbare Flüssigkeiten, Gase oder Stäube befinden.** Geräte erzeugen Funken, die den Staub oder die Dämpfe entzünden können.
- c. **Halten Sie Kinder und andere Personen während der Benutzung eines Geräts fern.** Bei Ablenkung können Sie die Kontrolle verlieren.

#### 2. Elektrische Sicherheit

- a. **Der Anschlussstecker des Geräts muß in die Steckdose passen. Der Stecker darf in keiner Weise verändert werden. Verwenden Sie keine Adapterstecker gemeinsam mit schutzgeerdeten Geräten.** Unveränderte Stecker und passende Steckdosen verringern das Risiko eines elektrischen Schlages.
- b. **Vermeiden Sie Körperkontakt mit geerdeten Oberflächen von Rohren, Heizungen, Herden und Kühlschränken.** Es besteht ein erhöhtes Risiko eines elektrischen Schlages, wenn Ihr Körper geerdet ist.
- c. **Halten Sie Geräte von Regen und Nässe fern.** Das Eindringen von Wasser in ein Gerät erhöht das Risiko eines elektrischen Schlages.

- d. **Mißbrauchen Sie nicht das Kabel. Verwenden Sie das Kabel niemals zum Tragen, Ziehen oder Trennen des Gerätes vom Netz. Halten Sie das Kabel fern von Hitze, Öl, scharfen Kanten oder sich bewegenden Teilen.** Beschädigte oder verwickelte Kabel erhöhen das Risiko eines elektrischen Schlages.
- e. **Wenn Sie mit einem Gerät im Freien arbeiten, verwenden Sie nur Verlängerungskabel, die auch für den Außenbereich zugelassen sind.** Die Verwendung eines für den Außenbereich geeigneten Verlängerungskabels verringert das Risiko eines elektrischen Schlages.
- f. **Falls der Betrieb des Elektrowerkzeugs in einer feuchten Umgebung unvermeidbar ist, verwenden Sie einen mit einem Fehlerstromschutzschalter (FI-Schutzschalter) abgesicherten Stromkreis.** Durch die Verwendung eines FI-Schutzschalters wird das Risiko eines Stromschlages verringert.

#### 3. Sicherheit von Personen

- a. **Seien Sie aufmerksam, achten Sie darauf, was Sie tun, und gehen Sie vernünftig mit einem Gerät um. Benutzen Sie das Gerät nicht, wenn Sie müde sind oder unter dem Einfluß von Drogen, Alkohol oder Medikamenten stehen.** Ein Moment der Unachtsamkeit beim Gebrauch von Geräten kann zu ernsthaften Verletzungen führen.
- b. **Tragen Sie persönliche Schutzausrüstung. Tragen Sie immer eine Schutzbrille.** Das Tragen persönlicher Schutzausrüstung, wie Staubmaske, rutschfeste Sicherheitsschuhe, Schutzhelm oder Gehörschutz, je nach Art und Einsatz des Elektrowerkzeuges, verringert das Risiko von Verletzungen.
- c. **Vermeiden Sie eine unbeabsichtigte Inbetriebnahme. Vergewissern Sie sich, dass der Schalter auf der Aus-Stellung steht, bevor Sie den Stecker in die Steckdose stecken und/oder das Akkupaket im Werkzeug stecken, das Werkzeug aufnehmen oder tragen.** Wenn Sie beim Tragen des Elektrowerkzeuges den Finger am Schalter haben oder das Werkzeug eingeschaltet an die Stromversorgung anschließen, kann dies zu Unfällen führen.
- d. **Entfernen Sie Einstell- oder Schraubenschlüssel, bevor Sie das Gerät einschalten.** Ein Schlüssel, der sich in einem sich drehenden Teil befindet, kann zu Verletzungen führen.
- e. **Nicht zu weit nach vorne strecken! Achten Sie auf einen sicheren Stand, um in jeder Arbeitsposition das Gleichgewicht zu halten.** Dadurch können Sie das Gerät in unerwarteten Situationen besser unter Kontrolle halten.

- f. **Tragen Sie geeignete Kleidung. Tragen Sie keine weite Kleidung oder Schmuck. Halten Sie Haare, Kleidung und Handschuhe fern von sich bewegenden Teilen.**

Lockere Kleidung, Schmuck oder lange Haare können von sich bewegenden Teilen erfaßt werden.

- g. **Falls Staubabsaug- und -auffangvorrichtungen vorhanden sind, vergewissern Sie sich, daß diese angeschlossen sind und richtig verwendet werden.** Das Verwenden dieser Einrichtungen verringert Gefährdungen durch Staub.

#### 4. Gebrauch und Pflege von Geräten

- a. **Überlasten Sie das Gerät nicht. Verwenden Sie für Ihre Arbeit das dafür bestimmte Gerät.** Mit dem passenden Gerät arbeiten Sie besser und sicherer im angegebenen Leistungsbereich.

- b. **Benutzen Sie kein Gerät, dessen Schalter defekt ist.** Ein Gerät, das sich nicht mehr ein- oder ausschalten läßt, ist gefährlich und muß repariert werden.

- c. **Trennen Sie den Stecker von der Stromquelle und/oder das Akkupaket vom Elektrowerkzeug, bevor Einstellungen vorgenommen, Zubehör gewechselt oder Elektrowerkzeuge verstaut werden.** Diese Vorsichtsmaßnahmen verhindern den unbeabsichtigten Start des Gerätes.

- d. **Bewahren Sie unbenutzte Geräte außerhalb der Reichweite von Kindern auf. Lassen Sie Geräte nicht von Personen benutzen, die damit nicht vertraut sind oder diese Anweisungen nicht gelesen haben.** Geräte sind gefährlich, wenn Sie von unerfahrenen Personen benutzt werden.

- e. **Halten Sie Geräte in einem einwandfreien Zustand. Kontrollieren Sie, ob bewegliche Teile falsch ausgerichtet sind oder klemmen und ob Teile gebrochen oder so beschädigt sind, daß die Funktion des Geräts beeinträchtigt ist. Lassen Sie beschädigte Geräte vor dem Gebrauch reparieren.** Viele Unfälle haben ihre Ursache in schlecht gewarteten Geräten.

- f. **Halten Sie Schneidgeräte scharf und sauber.** Sorgfältig gepflegte Schneidgeräte mit scharfen Schneidkanten verkleben sich weniger und sind leichter zu führen.

- g. **Verwenden Sie das Elektrowerkzeug, Zubehör sowie Werkzeug-Bits, usw. entsprechend diesen Anweisungen. Berücksichtigen Sie dabei die Arbeitsbedingungen sowie die durchzuführende Arbeit.** Der Gebrauch von Geräten für andere als die vorgesehenen Anwendungen kann zu gefährlichen Situationen führen.

#### 5. Service

- a. **Lassen Sie Ihr Gerät nur von qualifiziertem Fachpersonal und nur mit Original-Ersatzteilen reparieren.** Damit wird gewährleistet, daß die Sicherheit des Geräts erhalten bleibt.

### Zusätzliche Warnhinweise zur Sicherheit von Elektrowerkzeugen



**Achtung!** Zusätzliche Warnhinweise zur Sicherheit von Heckenschere

- ◆ **Halten Sie alle Körperteile vom Schnittmesser fern. Entfernen Sie kein geschnittenes Material und halten Sie kein zu schneidendes Material, solange sich die Messer bewegen. Vergewissern Sie sich, dass der Schalter ausgeschaltet ist, wenn eingeklemmtes Material entfernt wird.** Ein Moment der Unachtsamkeit beim Gebrauch von Geräten kann zu ernsthaften Verletzungen führen.
- ◆ **Tragen Sie die Heckenschere immer am Handgriff und mit abgeschaltetem Messer. Bringen Sie beim Transport oder der Aufbewahrung der Heckenschere immer die Messerabdeckung an.** Eine vernünftige Handhabung der Heckenschere verringert die mögliche Verletzungsgefahr durch die Messer.
- ◆ **Halten Sie das Kabel vom Schnittbereich fern.** Während der Arbeit kann das Kabel in Sträuchern übersehen und versehentlich durchtrennt werden.
- ◆ **Dieses Gerät darf nicht von Personen (einschließlich Kindern) mit eingeschränkten körperlichen, sensorischen oder geistigen Fähigkeiten verwendet werden. Auch darf es nicht von Personen verwendet werden, die keine Erfahrung mit dem Gerät oder Kenntnis darüber haben, es sei denn, sie stehen beim Gebrauch unter der Aufsicht und Anleitung einer für deren Sicherheit verantwortlichen Person. Kinder müssen beaufsichtigt werden, um sicherzustellen, daß sie nicht mit dem Gerät spielen.**
- ◆ Die bestimmungsgemäße Verwendung ist in dieser Bedienungsanleitung beschrieben. Das Verwenden anderer als der in dieser Anleitung empfohlenen Anbaugeräte und Zubehöerteile oder die Ausführung von Arbeiten mit diesem Gerät, die nicht der bestimmungsgemäßen Verwendung entsprechen, kann zu Unfallgefahren und/oder Sachschäden führen.
- ◆ **Tragen Sie das Gerät nicht mit den Händen am Zweithandsschalter oder am Betriebsschalter, während der Akku sich am Gerät befindet.**
- ◆ Falls Sie noch nie zuvor eine Heckenschere benutzt haben, lassen Sie sich möglichst von einem erfahrenen Benutzer einweisen. Lesen Sie darüber hinaus diese Anleitung sorgfältig durch.
- ◆ **Berühren Sie niemals die Messer, während das Gerät läuft.**
- ◆ **Versuchen Sie nie, die Messer mit Gewalt zum Stillstand zu bringen.**
- ◆ **Legen Sie das Gerät erst dann nieder, wenn die Messer vollkommen zum Stillstand gekommen sind.**

- ◆ Prüfen Sie die Messer regelmäßig auf Beschädigung und Abnutzung. Verwenden Sie das Gerät nicht, wenn die Messer beschädigt sind.
- ◆ Sorgen Sie dafür, daß Sie beim Schneiden nicht auf harte Gegenstände (z.B. Metalldraht, Gitter) stoßen. Sollten Sie versehentlich doch auf einen harten Gegenstand stoßen, schalten Sie das Gerät sofort aus und überprüfen es auf etwaige Beschädigungen.
- ◆ Sollte das Gerät plötzlich stark vibrieren, schalten Sie es sofort aus und überprüfen Sie es auf etwaige Beschädigungen.
- ◆ Wenn das Gerät sich festfährt, schalten Sie es sofort aus. Entfernen Sie den Akku, bevor Sie versuchen, die Blockierung zu beseitigen.
- ◆ Schieben Sie nach dem Gebrauch die im Lieferumfang enthaltene Messerhülle über die Messer. Verstauen Sie das Gerät und vergewissern Sie sich, daß die Messerhülle angebracht ist.
- ◆ Vergewissern Sie sich vor dem Gebrauch immer, daß alle Schutzvorrichtungen ordnungsgemäß montiert sind. Versuchen Sie nie, ein Gerät zu verwenden, an dem Teile fehlen oder an dem unbefugte Änderungen vorgenommen wurden.
- ◆ Verboten Sie Kindern den Umgang mit dem Gerät.
- ◆ Passen Sie auf herunterfallendes Schnittgut auf, wenn Sie die höher liegenden Seiten einer Hecke schneiden.
- ◆ Halten Sie das Gerät stets mit beiden Händen und an den vorgesehenen Handgriffen.

## Sicherheit anderer Personen

- ◆ Dieses Gerät darf nicht von Personen (einschließlich Kindern) mit eingeschränkten körperlichen, sensorischen oder geistigen Fähigkeiten verwendet werden. Auch darf es nicht von Personen verwendet werden, die keine Erfahrung mit dem Gerät oder Kenntnis darüber haben, es sei denn, sie stehen beim Gebrauch unter der Aufsicht und Anleitung einer für deren Sicherheit verantwortlichen Person.
- ◆ Kinder müssen beaufsichtigt werden, um sicherzustellen, daß sie nicht mit dem Gerät spielen.

## Vibrationen

Die angegebenen Vibrationswerte in den Technischen Daten und der Konformitätserklärung wurden gemäß einer standardisierten und durch EN 60745 festgelegten Prüfmethode gemessen und können herangezogen werden, um ein Werkzeug mit einem anderen zu vergleichen. Der angegebene Vibrationswert kann auch für eine vorläufige Einstufung der Freisetzung herangezogen werden.

**Achtung!** Der Vibrationswert beim eigentlichen Gebrauch des Elektrowerkzeuges kann vom angegebenen Wert abweichen.

Dies hängt davon ab, auf welche Weise das Werkzeug verwendet wird. Der Vibrationswert kann über den angegebenen Wert hinaus ansteigen.

Bei der Einstufung der Vibrationen zur Festlegung der von 2002/44/EG geforderten Sicherheitsmaßnahmen zum Schutz von Personen, die beruflich regelmäßig mit Elektrowerkzeugen arbeiten, muß eine Vibrationseinstufung die tatsächlichen Gebrauchsbedingungen und die Art und Weise berücksichtigen, wie das Werkzeug verwendet wird. Auch müssen alle Aspekte des Arbeitszyklus berücksichtigt werden, wie beispielsweise die Zeiten, in denen das Werkzeug aus- und eingeschaltet ist und im Leerlauf läuft.

## Schilder auf dem Gerät

Es befinden sich folgende Bildzeichen auf dem Gerät:



**Achtung!** Um die Verletzungsgefahr zu verringern, muß der Benutzer die Bedienungsanleitung lesen.



Immer eine Schutzbrille und einen Gehörschutz tragen.



Tragen Sie bei der Verwendung dieses Geräts Handschuhe!



Falls das Netzkabel durchgeschnitten oder beschädigt wird, ziehen Sie sofort den Netzstecker.



Setzen Sie das Gerät keinem Regen oder hoher Feuchtigkeit aus.

## Elektrische Sicherheit



Dieses Gerät ist schutzisoliert, daher ist keine Erdleitung erforderlich. Überprüfen Sie immer, ob die Netzspannung der auf dem Typenschild des Elektrowerkzeuges angegebenen Spannung entspricht.

- ◆ Falls das Netzkabel beschädigt ist, so ist es vom Hersteller oder einem autorisierten Black & Decker Service Center auszutauschen, um Gefahren vorzubeugen.

## Verwendung eines Verlängerungskabels

Verwenden Sie nur zugelassene Verlängerungskabel, die sich für die Leistungsaufnahme dieses Geräts eignen (siehe technische Daten). Das Verlängerungskabel muß für den Einsatz im Freien geeignet und entsprechend gekennzeichnet sein. Ein bis zu 30 m langes 1,5 mm<sup>2</sup> HO5V V-F-Verlängerungskabel kann verwendet werden, ohne daß Leistungsverluste entstehen.

Überprüfen Sie das Verlängerungskabel vor dem Gebrauch auf Beschädigung, Verschleiß und Alterserscheinungen. Tauschen Sie ein beschädigtes oder defektes Verlängerungskabel aus. Rollen Sie das Kabel bei Verwendung einer Kabeltrommel immer völlig aus.

## Merkmale

Dieses Gerät weist einige oder alle der folgenden Merkmale auf.

1. Betriebsschalter
2. Zweithandschalter
3. Vorderer Handgriff
4. Schutzvorrichtung
5. Messer
6. Messerhülle
7. Kabelzugentlastung

Diese Heckenschere weist folgende nützliche Merkmale auf:

- ◆ Ergonomisch geformte Griffe für komfortables Schneiden.
- ◆ Bearbeitete Messer für verbesserten Schnitt.
- ◆ Gegenläufige Messer für verringerte Vibrationen.

## Montage

**Achtung!** Vergewissern Sie sich vor der Montage, daß das Gerät ausgeschaltet, der Netzstecker gezogen und die Messerhülle auf den Messern angebracht ist.

### Anbringen der Schutzvorrichtung (Abb. A)

- ◆ Setzen Sie den Handschutz (4) in die Montagehalterung (8) ein.
- ◆ Schieben Sie den Handschutz in die Halterung, bis er einrastet.

**Achtung!** Verwenden Sie das Gerät nie ohne den Handschutz.

### Anschließen des Geräts an die Stromversorgung (Abb. B)

Falls das Gerät nicht mit einem Netzkabel ausgestattet ist, müssen Sie ein Verlängerungskabel mit dem Netzanschluss verbinden.

- ◆ Schließen Sie die Steckerbuchse eines geeigneten Verlängerungskabels an den Netzanschluss des Geräts an.
- ◆ Haken Sie eine Schleife des Kabels wie abgebildet hinter die Zugentlastung (7), damit sich das Verlängerungskabel während des Gebrauchs nicht lösen kann.
- ◆ Stecken Sie den Netzstecker in eine Steckdose.

**Achtung!** Das Verlängerungskabel muß für den Einsatz im Freien geeignet sein. Rollen Sie das Kabel bei Verwendung einer Kabeltrommel immer völlig aus.

## Gebrauch

**Achtung!** Beschleunigen Sie den Arbeitsvorgang nicht mit Gewalt. Vermeiden Sie eine Überlastung des Gerätes.

- ◆ Führen Sie das Kabel sorgfältig, damit Sie es nicht versehentlich durchschneiden. Es empfiehlt sich, das Kabel zu führen, indem Sie es über die Schulter legen.
- ◆ Aus Sicherheitsgründen ist dieses Gerät mit einem Doppelschaltersystem ausgestattet. Dieses System verhindert ein unbeabsichtigtes Einschalten des Geräts und erlaubt den Betrieb nur, wenn Sie das Gerät in beiden Händen halten.

## Ein- und Ausschalten

### Einschalten

- ◆ Fassen Sie den vorderen Handgriff (3) fest mit einer Hand, damit der Zweithandschalter (2) in das Gerätegehäuse gedrückt wird.
- ◆ Betätigen Sie mit der anderen Hand den Betriebsschalter (1), um das Gerät zu starten.

### Ausschalten

- ◆ Lassen Sie den Handgriffschalter (2) oder den Betriebsschalter (1) los.

**Achtung!** Versuchen Sie nie, einen Schalter in eingeschaltetem Zustand zu blockieren.

## Hinweise für optimale Arbeitsergebnisse

- ◆ Schneiden Sie zuerst die Oberseite der Hecke. Neigen Sie das Gerät ein wenig (max. 15° von der Schnittlinie), damit die Messerspitzen mehr in Richtung der Hecke zeigen (Abb. C1). So schneiden die Messer besser. Halten Sie das Gerät im gewünschten Winkel und bewegen Sie es gleichmäßig entlang der Schnittlinie. Da die Messer an beiden Seiten schneiden, können Sie sowohl nach links als auch nach rechts schneiden.
- ◆ Um einen sehr geraden Schnitt zu erzielen, spannen Sie auf der gewünschten Höhe eine Schnur über die gesamte Länge der Hecke. Verwenden Sie die Schnur als Bezugslinie und schneiden Sie unmittelbar oberhalb der Schnur.
- ◆ Um flache Seiten zu erhalten, schneiden Sie aufwärts. Wenn die Messer nach unten schneiden, bewegen sich jüngere Zweige nach außen und bilden schmale Fetzen in der Hecke (Abb. C2).
- ◆ Achten Sie darauf, daß Sie nicht auf Fremdkörper stoßen. Passen Sie speziell auf harte Objekte wie Metalldraht und Gitter auf, da diese die Messer beschädigen können.
- ◆ Ölen Sie die Messer regelmäßig.

## Wann sollte man schneiden

- ◆ Im allgemeinen sind Hecken, die ihr Laub im Herbst verlieren, im Juni und im Oktober zu schneiden.
- ◆ Immergrüne Hecken sind im April und im August zu schneiden.
- ◆ Koniferen und andere schnell wachsende Straucharten können ab Mai etwa alle 6 Wochen geschnitten werden.

## Wartung

Ihr netz- oder akkubetriebenes Black & Decker Gerät/ Werkzeug wurde im Hinblick auf eine lange Lebensdauer und einen möglichst geringen Wartungsaufwand entwickelt. Ein dauerhafter, einwandfreier Betrieb setzt eine regelmäßige Pflege und Reinigung voraus.

**Achtung!** Vor der Durchführung von Wartungsarbeiten an Elektrogeräten/-werkzeugen mit oder ohne Netzleitung:

- ◆ Schalten Sie das Gerät/Werkzeug aus und ziehen Sie den Netzstecker.
- ◆ Oder schalten Sie das Gerät aus und entfernen Sie den Akku aus dem Gerät/Werkzeug, falls das Gerät/Werkzeug einen eigenen Akku hat.
- ◆ Oder lassen Sie den Akku vollkommen leerlaufen, falls dieser im Gerät eingebaut ist. Schalten Sie das Gerät dann aus.
- ◆ Ziehen Sie den Netzstecker des Ladegeräts aus der Steckdose, bevor Sie es reinigen. Ihr Ladegerät bedarf keinerlei Wartung außer einer regelmäßigen Reinigung.
- ◆ Reinigen Sie regelmäßig die Lüftungsschlitze im Gerät/ Werkzeug/Ladegerät mit Hilfe einer weichen Bürste oder eines trockenen Lappens.
- ◆ Reinigen Sie regelmäßig das Motorgehäuse mit Hilfe eines feuchten Lappens. Verwenden Sie keine scheuernden Reinigungsmittel oder Reinigungsmittel auf Lösungsmittelbasis.
- ◆ Reinigen Sie regelmäßig das Spannfutter (falls angebracht), indem Sie es öffnen und durch leichtes Klopfen den Staub aus dem Inneren entfernen.

## Entfernen des Handschutzes (Abb. A)

**Achtung!** Entfernen Sie den Handschutz ausschließlich zu Wartungszwecken. Bringen Sie immer den Handschutz nach der Wartung an.

- ◆ Setzen Sie die kleinen Stifte auf beiden Seiten der Halterung (8) in die Bohrungen (9) ein und ziehen Sie den Handschutz (4) nach vorn.
- ◆ Entfernen Sie die Stifte und nehmen Sie den Handschutz vom Gerät ab.

## Störungsbehebung

Falls das Gerät nicht einwandfrei arbeitet, überprüfen Sie Folgendes:

Störung	Mögliche Ursache	Abhilfe
Das Gerät startet nicht.	Die Sicherung ist durchgebrannt. Der Schutzschalter hat ausgelöst. Das Netzkabel ist nicht angeschlossen	Erneuern Sie die Sicherung. Überprüfen Sie den Schutzschalter. Überprüfen Sie die Spannungsversorgung.

## Umweltschutz



Getrennte Entsorgung. Dieses Produkt darf nicht über den normalen Hausmüll entsorgt werden.

Sollte Ihr Black & Decker Produkt eines Tages erneuert werden müssen, oder falls Sie es nicht weiter verwenden wollen, so darf es nicht über den Hausmüll entsorgt werden. Stellen Sie dieses Produkt zur getrennten Entsorgung bereit.



Durch die getrennte Entsorgung gebrauchter Produkte und Verpackungen können die Materialien recycelt und wiederverwertet werden. Die Wiederverwertung recycelter Materialien schont die Umwelt und verringert die Nachfrage nach Rohstoffen.

Die regionalen Bestimmungen schreiben unter Umständen die getrennte Entsorgung elektrischer Produkte aus dem Haushalt an Sammelstellen oder seitens des Händlers vor, bei dem Sie das neue Produkt erworben haben.

Black & Decker nimmt Ihre ausgedienten Black & Decker Geräte gern zurück und sorgt für eine umweltfreundliche Entsorgung und Wiederverwertung. Um diesen Dienst zu nutzen, schicken Sie bitte Ihr Produkt zu einer Vertragswerkstatt. Hier wird es dann auf unsere Kosten gesammelt.

Die Adresse der zuständigen Black & Decker Vertretung steht in diesem Handbuch, darüber läßt sich die nächstgelegene Vertragswerkstatt ermitteln. Außerdem ist eine Liste der Vertragswerkstätten und aller Kundendienststellen von Black & Decker sowie der zuständigen Ansprechpartner im Internet zu finden unter: [www.2helpU.com](http://www.2helpU.com)

## Technische Daten

	GT90	GT100	GT110	GT115
	TYPE 3	TYPE 3	TYPE 3	TYPE 3
Spannung	V <sub>AC</sub> 230	230	230	230
Leistungsaufnahme	W 380	400	420	420
Messerhübe (Leerlauf)	min <sup>-1</sup> 1.900	1.900	1.900	1.900
Messerlänge	cm 42	42	50	55
Messeröffnung	mm 16	16	16	16
Messerbremszeit	s < 1,0	< 1,0	< 1,0	< 1,0
Gewicht (ohne Netzkabel)	kg 2,2	2,2	2,3	2,4

Gesamtvibrationswerte (Triax-Vektorsumme) gemäß EN 60745:  
Vibrationswert (a<sub>v</sub>) 1,9 m/s<sup>2</sup>, Unsicherheitsfaktor (K) 1,5 m/s<sup>2</sup>

**EG-Konformitätserklärung**MASCHINENRICHTLINIE  
AUSSENLÄRM-RICHTLINIE

GT90/GT100/GT110/GT115

Black & Decker erklärt, daß diese unter „Technische Daten“  
beschriebenen Produkte folgende Richtlinien erfüllen:  
98/37/EG (bis 28. Dez. 2009), 2006/42/EG  
(ab 29. Dez. 2009), EN 60745-1, EN 60745-2-15

2000/14/EG, Heckenschere, 1400 min<sup>-1</sup>, Anhang V  
L<sub>WA</sub> (gemessene Schallleistung) 96,5 dB(A)  
L<sub>WA</sub> (garantierte Schallleistung) 99 dB(A)

Diese Produkte entsprechen auch Richtlinie 2004/108/EG.  
Wenden Sie sich für weitere Informationen bitte an folgende  
Black & Decker Anschrift bzw. an die hinten im Handbuch  
angegebene Anschrift.

Der Unterzeichnete ist für die Zusammenstellung der  
technischen Datei verantwortlich und gibt diese Erklärung im  
Namen von Black & Decker ab.

Kevin Hewitt  
Vice-President Global Engineering  
Black & Decker Europe, 210 Bath Road, Slough,  
Berkshire, SL1 3YD  
Vereinigtes Königreich  
8-9-2009

- ◆ wenn das Gerät gewerblich, beruflich oder im Verleihgeschäft benutzt wurde;
- ◆ wenn das Gerät mißbräuchlich verwendet oder mit mangelnder Sorgfalt behandelt wurde;
- ◆ wenn das Gerät durch irgendwelche Fremdeinwirkung beschädigt wurde;
- ◆ wenn ein unbefugter Reparaturversuch durch anderes Personal als das einer Vertragswerkstatt oder des Black & Decker-Kundendienstes unternommen wurde.

Zur Inanspruchnahme dieser Garantie ist dem Verkäufer bzw. der Vertragswerkstatt ein Kaufnachweis vorzulegen. Der Kaufnachweis muß Kaufdatum und Gerätetyp bescheinigen. Die Adresse des zuständigen Büros von Black & Decker steht in dieser Anleitung, darüber läßt sich die nächstgelegene Vertragswerkstatt ermitteln. Außerdem ist eine Liste der Vertragswerkstätten und aller Kundendienststellen von Black & Decker sowie der zuständigen Ansprechpartner im Internet zu finden unter: [www.2helpU.com](http://www.2helpU.com)

Bitte besuchen Sie unsere Webseite [www.blackanddecker.de](http://www.blackanddecker.de), um Ihr neues Black & Decker Produkt zu registrieren und über neue Produkte und Sonderangebote aktuell informiert zu werden. Weitere Informationen über die Marke Black & Decker und unsere Produkte finden Sie unter [www.blackanddecker.de](http://www.blackanddecker.de)

**Garantie**

Black & Decker vertraut auf die Qualität der eigenen Geräte und bietet dem Käufer eine außergewöhnliche Garantie. Diese Garantiezusage versteht sich unbeschadet der gesetzlichen Gewährleistungsansprüche und schränkt diese keinesfalls ein. Sie gilt in sämtlichen Mitgliedsstaaten der Europäischen Union und der Europäischen Freihandelszone EFTA.

Tritt innerhalb von 24 Monaten ab Kaufdatum an einem Gerät von Black & Decker ein auf Material- oder Verarbeitungsfehler zurückzuführender Mangel auf, garantiert Black & Decker den Austausch defekter Teile, die Reparatur von Geräten mit üblichem Verschleiß bzw. den Austausch eines mangelhaften Geräts, ohne den Kunden dabei mehr als unbedingt nötig in Anspruch zu nehmen, allerdings vorbehaltlich folgender Ausnahmen:



## Utilisation prévue

Votre taille-haies Black & Decker a été conçu pour la taille de haies, d'arbustes et de ronces. Cet outil a été conçu pour une utilisation exclusivement domestique.

## Instructions de sécurité

### Consignes de sécurité générales pour les outils électriques



**Attention ! Prenez connaissance de tous les avertissements de sécurité et de toutes les instructions.** Le non-respect des avertissements et des instructions indiqués ci-dessous peut entraîner une électrocution, un incendie ou de graves blessures.

**Conservez tous les avertissements et instructions pour référence future.** La notion d'« outil électroportatif » mentionnée par la suite se rapporte à des outils électriques raccordés au secteur (avec câble de raccordement) ou fonctionnant sur piles (sans fil).

1. **Sécurité de la zone de travail**
    - a. **Maintenez la zone de travail propre et bien éclairée.**  
Un lieu de travail en désordre ou mal éclairé augmente le risque d'accidents.
    - b. **N'utilisez pas les outils électroportatifs dans un environnement présentant des risques d'explosion ni en présence de liquides, gaz ou poussières inflammables.** Les outils électroportatifs génèrent des étincelles risquant d'enflammer les poussières ou les vapeurs.
    - c. **Tenez les enfants et autres personnes éloignés durant l'utilisation de l'outil électroportatif.** En cas d'inattention, vous risquez de perdre le contrôle sur l'outil.
  2. **Sécurité électrique**
    - a. **La fiche de secteur de l'outil électroportatif doit convenir à la prise de courant. Ne modifiez en aucun cas la fiche. N'utilisez pas de fiches d'adaptateur avec des outils ayant une prise de terre.** Les fiches non modifiées et les prises de courant appropriées réduisent le risque d'électrocution.
    - b. **Évitez le contact physique avec des surfaces mises à la terre telles que tuyaux, radiateurs, fours et réfrigérateurs.** Il y a un risque élevé d'électrocution si votre corps est relié à la terre.
    - c. **N'exposez pas l'outil électroportatif à la pluie ni à l'humidité.** La pénétration d'eau dans un outil électroportatif augmente le risque d'électrocution.
  - d. **Préservez le câble d'alimentation. N'utilisez pas le câble à d'autres fins que celles prévues, notamment pour porter l'outil, l'accrocher voire le débrancher de la prise de courant. Maintenez le câble éloigné des sources de chaleur, des parties grasses, des bords tranchants ou des parties de l'outil en rotation.**  
Un câble endommagé ou enchevêtré augmente le risque d'électrocution.
  - e. **Si vous utilisez l'outil électroportatif à l'extérieur, utilisez une rallonge homologuée pour utilisation à l'air libre.** L'utilisation d'une rallonge électrique homologuée pour les applications extérieures réduit le risque d'électrocution.
  - f. **Si l'usage d'un outil dans un emplacement humide est inévitable, utilisez une alimentation protégée par un dispositif à courant différentiel résiduel (RCD).**  
L'usage d'un RCD réduit le risque de choc électrique.
- ### 3. Sécurité personnelle
- a. **Restez vigilant, surveillez ce que vous faites. Faites preuve de bon sens quand vous utilisez l'outil électroportatif. N'utilisez pas l'outil lorsque vous êtes fatigué ou après avoir consommé de l'alcool, des drogues voire des médicaments.** Un moment d'inattention lors de l'utilisation de l'outil peut entraîner de graves blessures.
  - b. **Utilisez un équipement de protection personnelle. Portez toujours une protection pour les yeux.**  
Les équipements de protection personnelle tels que les masques anti-poussières, chaussures de sécurité antidérapantes, casques ou protections acoustiques utilisés dans des conditions appropriées réduisent les blessures.
  - c. **Évitez toute mise en marche involontaire. Vérifiez que l'interrupteur est en position arrêt avant de brancher l'outil au secteur ou au bloc de batteries, de le prendre ou de le porter.** Transporter les outils en avec le doigt sur l'interrupteur ou les brancher avec l'interrupteur en position de marche est une source d'accidents.
  - d. **Enlevez tout outil ou clé de réglage avant de mettre l'outil en marche.** Une clé ou un outil se trouvant sur une partie en rotation peut causer des blessures.
  - e. **Adoptez une position confortable. Adoptez une position stable et gardez votre équilibre à tout moment.** Vous contrôlerez mieux l'outil dans des situations inattendues.
  - f. **Portez des vêtements appropriés. Ne portez pas de vêtements flottants ou de bijoux. N'approchez pas les cheveux, vêtements ou gants des parties des pièces mobiles.** Les vêtements amples, les bijoux ou les cheveux longs peuvent être attrapés dans les pièces en mouvement.



- g. Si des dispositifs servant à aspirer ou à recueillir les poussières doivent être utilisés, vérifiez qu'ils sont correctement raccordés et utilisés. Le fait d'aspirer la poussière permet de réduire les risques inhérents à la poussière.
4. Utilisation des outils électroportatifs et précautions
- a. Ne surchargez pas l'outil. Utilisez l'outil électroportatif approprié pour le travail à effectuer. Avec l'outil électroportatif approprié, vous travaillerez mieux et avec plus de sécurité à la vitesse pour laquelle il a été conçu.
- b. N'utilisez pas un outil électroportatif dont l'interrupteur est défectueux. Un outil électroportatif qui ne peut plus être mis en ou hors fonctionnement est dangereux et doit être réparé.
- c. Déconnectez la prise de la source d'alimentation ou le pack-batterie de l'outil électrique avant tout réglage, changement d'accessoire voire rangement des outils électriques. Cette mesure de précaution empêche une mise en marche par mégarde.
- d. Rangez les outils électroportatifs hors de portée des enfants. Ne laissez pas les personnes n'étant pas familiarisées avec l'outil ou n'ayant pas lu ces instructions l'utiliser. Les outils électroportatifs sont dangereux lorsqu'ils sont utilisés par des personnes non initiées.
- e. Prenez soin des outils électroportatifs. Vérifiez que les parties en mouvement fonctionnent correctement et qu'elles ne sont pas coincées ; vérifiez qu'il n'y a pas de pièces cassées ou endommagées susceptibles de nuire au bon fonctionnement de l'outil. S'il est endommagé, faites réparer l'outil avant de l'utiliser. De nombreux accidents sont dus à des outils électroportatifs mal entretenus.
- f. Maintenez les outils de coupe aiguisés et propres. Des outils soigneusement entretenus avec des bords tranchants bien aiguisés se coincent moins souvent et peuvent être guidés plus facilement.
- g. Utilisez l'outil électrique, les accessoires et forets, etc. conformément à ces instructions, en tenant compte des conditions de travail et des tâches à effectuer. L'utilisation des outils électroportatifs à d'autres fins que celles prévues peut entraîner des situations dangereuses.
5. Réparations
- a. Faites réparer votre outil électroportatif uniquement par du personnel qualifié et seulement avec des pièces de rechange d'origine. Cela garantira le maintien de la sécurité de votre outil.

## Avertissements de sécurité additionnels pour les outils électriques



**Attention !** Avertissements de sécurité supplémentaires pour les taille-haies

- ◆ Maintenez toutes les parties du corps à l'écart de la lame de coupe. Ne retirez pas le matériau coupé et ne tenez pas le matériau à couper si les lames sont en mouvement. Assurez-vous que l'interrupteur est coupé lorsque vous dégagez du matériau bloqué. Un moment d'inattention lors de l'utilisation de l'outil peut entraîner de graves blessures.
- ◆ Transportez le taille-haies par sa poignée avec la lame de coupe bloquée. Pour transporter ou ranger le taille-haies, installez toujours le cache du dispositif de coupe. Une manutention appropriée du taille-haies devrait réduire les blessures potentielles occasionnées par les lames de coupe.
- ◆ Maintenez les câbles écartés de la zone de coupe. Pendant le fonctionnement, le câble peut être caché dans les arbustes et être coupé accidentellement.
- ◆ Cet outil n'est pas destiné à être utilisé par des personnes (notamment des enfants) présentant des capacités physiques, sensorielles ou mentales limitées voire dépourvues de connaissance et d'expérience, sauf si elles sont supervisées ou ont reçu des instructions pour l'usage de l'appareil par une personne responsable de leur sécurité. Les enfants ne doivent pas jouer avec l'appareil.
- ◆ Le domaine d'utilisation de l'outil est décrit dans le présent manuel. L'utilisation d'accessoires ou la réalisation d'opérations avec cet outil autres que ceux recommandés dans le présent manuel peut entraîner un risque de blessure ou de dégâts.
- ◆ Ne portez pas l'outil avec les mains sur l'interrupteur de la poignée avant ou l'interrupteur de mise en marche sauf si la batterie a été enlevée.
- ◆ Si vous n'avez jamais utilisé de taille-haies, demandez de préférence à un utilisateur expérimenté de vous donner des instructions pratiques et étudiez également ce manuel.
- ◆ Ne touchez jamais les lames lorsque l'outil fonctionne.
- ◆ Ne tentez jamais de forcer sur les lames pour qu'elles s'arrêtent.
- ◆ Ne posez pas l'outil avant que les lames ne se soient complètement arrêtées.
- ◆ Vérifiez régulièrement si les lames ne sont pas endommagées ou usées. N'utilisez pas l'outil lorsque les lames sont endommagées.
- ◆ Veillez à éviter les objets durs (par ex. fil de fer, clôtures) lorsque vous procédez à la taille. Si vous heurtez accidentellement un tel objet, éteignez immédiatement l'outil et vérifiez qu'aucun dommage ne s'est produit.

- ◆ Si l'outil commence à vibrer de façon anormale, arrêtez-le immédiatement et vérifiez qu'aucun dommage ne s'est produit.
- ◆ Si l'outil cale, éteignez-le immédiatement. Enlevez la batterie avant d'essayer de retirer tout débris pouvant l'obstruer.
- ◆ Après utilisation, placez l'étui de protection fourni sur les lames. Rangez l'outil et veillez à ce que la lame ne soit pas découverte.
- ◆ Assurez-vous toujours que les protections sont toutes installées lorsque vous utilisez l'outil. N'utilisez pas un outil incomplet ou modifié de façon non autorisée.
- ◆ Ne permettez pas aux enfants d'utiliser l'outil.
- ◆ Faites attention à la chute de débris lorsque vous taillez les côtés les plus hauts d'une haie.
- ◆ Tenez toujours l'outil à deux mains par les poignées prévues à cet effet.

## Sécurité des tiers

- ◆ Cet appareil n'est pas destiné à être utilisé par des personnes (notamment des enfants) présentant des capacités physiques, sensorielles ou mentales limitées voire dépourvues de connaissance et d'expérience, sauf si elles sont supervisées ou ont reçu des instructions pour l'usage de l'appareil par une personne responsable de leur sécurité.
- ◆ Les enfants ne doivent pas jouer avec l'appareil.

## Vibration

Les valeurs des émissions de vibrations mentionnées dans les données techniques et la déclaration de conformité ont été mesurées conformément à la méthode de test normalisée indiquée par EN 60745 et permettent les comparaisons entre outils. Les valeurs des émissions de vibrations peuvent également servir à une évaluation préliminaire de l'exposition.

**Attention !** Les valeurs des émissions de vibrations en utilisant réellement l'outil peuvent différer des valeurs déclarées en fonction du mode d'usage de l'outil. Le niveau de vibration peut dépasser le niveau indiqué.

Pour évaluer l'exposition aux vibrations afin de déterminer les mesures de sécurité imposées par 2002/44/CE pour protéger les personnes utilisant régulièrement des outils électriques, une estimation de l'exposition aux vibrations devrait prendre en compte les conditions réelles et le mode d'utilisation de l'outil, notamment l'ensemble du cycle de fonctionnement ainsi l'arrêt de l'outil et son fonctionnement au ralenti, outre le démarrage.

## Étiquettes apposées sur l'outil

Les pictogrammes suivants sont présents sur l'outil :



**Attention !** Afin de réduire les risques de blessures, l'utilisateur doit lire le manuel d'instructions.



Portez toujours des lunettes de sécurité et une protection auditive.



Portez des gants lorsque vous utilisez cet outil.



Débranchez immédiatement le câble s'il est endommagé ou coupé.



N'exposez pas l'outil à la pluie ou à l'humidité.

## Sécurité électrique



L'outil est doublement isolé ; par conséquent, aucun câble de masse n'est nécessaire. Vérifiez si le voltage mentionné sur la plaque signalétique de la machine correspond bien à la tension de secteur présente sur lieu.

- ◆ Si le câble d'alimentation est endommagé, il doit être remplacé par le fabricant ou par un centre de réparation agréé Black & Decker afin d'éviter tout accident.

## Utilisation d'une rallonge

Utilisez toujours une rallonge adaptée à la puissance d'alimentation de cet outil (voir caractéristiques techniques). Le câble de rallonge doit être adapté pour le travail en extérieur et marqué en conséquence. Des rallonges HO5V V-F 1,5 mm<sup>2</sup> de 30 m de long peuvent être utilisées sans perte de puissance. Avant utilisation, assurez-vous que la rallonge n'est ni endommagée ni usée. Changez le câble de rallonge s'il est endommagé ou défectueux. En cas d'utilisation d'un dévidoir, déroulez toujours le câble complètement.

## Caractéristiques

Cet outil comprend toutes ou certaines des caractéristiques suivantes.

1. Interrupteur de mise en marche
2. Interrupteur de la poignée avant
3. Poignée avant
4. Carter de protection
5. Lame
6. Étui de protection des lames
7. Serre-câbles

Pour votre confort, votre taille-haies est équipé des dispositifs suivants :

- ◆ Poignées ergonomiques pour une coupe confortable.
- ◆ Lames usinées pour une coupe optimisée.
- ◆ Lames à double action pour des vibrations réduites.

## Montage

**Attention !** Avant le montage, assurez-vous que l'outil est coupé et débranché du secteur et que l'étui de protection recouvre les lames.

### Mise en place du carter de protection (fig. A)

- ◆ Centrez le carter (4) dans le support de montage (8).
- ◆ Enfoncez le carter de protection dans le support pour qu'il s'engage en cliquant.

**Attention !** N'utilisez pas l'outil sans carter de protection.

### Branchement de l'outil sur le secteur (fig. B)

Si l'outil n'est pas équipé d'un câble secteur, vous devez le brancher à la prise électrique à l'aide d'un fil de rallonge .

- ◆ Branchez la prise femelle d'un fil de rallonge adapté à l'entrée d'alimentation électrique de l'outil.
- ◆ Entourez le câble dans le serre-câble (7) comme l'indique l'illustration pour empêcher le fil de se détacher pendant l'utilisation.
- ◆ Branchez la fiche secteur dans la prise secteur.

**Attention !** Le câble de rallonge doit être adapté pour le travail en extérieur. En cas d'utilisation d'un dévidoir, déroulez toujours le câble complètement.

## Utilisation

**Attention !** Laissez l'outil fonctionner à sa propre vitesse.

Ne le surchargez pas.

- ◆ Guidez le câble avec soin pour ne pas le couper par mégarde. Passez le câble sur votre épaule pour le maintenir bien en place.
- ◆ Pour des raisons de sécurité, cet outil est équipé d'un système d'interrupteur double. Ce système empêche un démarrage involontaire de l'outil et permettra à l'outil de fonctionner uniquement s'il est tenu avec les deux mains.

## Démarrage et arrêt

### Démarrage

- ◆ Saisissez la poignée avant (3) d'une main de sorte que son interrupteur (2) soit poussé dans le corps de l'outil.
- ◆ De l'autre main, serrez la gâchette (1) pour démarrer l'outil.

### Arrêt

- ◆ Relâchez l'interrupteur de la poignée (2) ou la gâchette (1).

**Attention !** N'essayez jamais de bloquer l'interrupteur en position de marche.

## Conseils pour une utilisation optimale

- ◆ Commencez par tailler le haut de la haie. Inclinez légèrement l'outil (jusqu'à 15° par rapport à la ligne de coupe) afin que l'extrémité des lames pointent légèrement vers la haie (fig. C1). Les lames pourront ainsi couper de façon plus efficace. Tenez l'outil à l'angle désiré et déplacez-le régulièrement le long de la ligne de coupe. La lame à double tranchant vous permet de couper dans les deux sens.
- ◆ Afin d'obtenir une coupe très droite, tendez un bout de ficelle sur la longueur de la haie à la hauteur désirée. Utilisez la ficelle comme guide, et coupez juste au-dessus d'elle.
- ◆ Pour obtenir des côtés plats, coupez la végétation de bas en haut. Les tiges plus jeunes vont vers l'extérieur lorsque la lame coupe de haut en bas, ce qui produit des trous sur la surface de la haie (fig. C2).
- ◆ Veillez à éviter tout corps étranger. Evitez en particulier tout objet dur tel que le fil de fer et les clôtures qui pourraient endommager les lames.
- ◆ Graissez régulièrement les lames.

### Quand tailler ?

- ◆ Taillez les haies à feuillage non persistant en juin et en octobre.
- ◆ Taillez les feuillages persistants en avril et en août.
- ◆ Les conifères peuvent être taillés toutes les 6 semaines de mai à octobre.

## Entretien

Votre appareil/outil Black & Decker avec/sans fil a été conçu pour fonctionner pendant longtemps avec un minimum d'entretien. Un fonctionnement continu satisfaisant dépend d'un nettoyage régulier et d'un entretien approprié de l'outil.

**Attention !** Avant toute activité d'entretien sur les outils électriques avec/sans fil :

- ◆ Eteignez et débranchez l'appareil/l'outil.
- ◆ Ou coupez et retirez la batterie de l'appareil/outil s'il comporte un pack-batterie séparé.
- ◆ Vore épuisez complètement la batterie si elle est intégrée puis mettez hors tension.
- ◆ Débranchez le chargeur avant de le nettoyer. Votre chargeur ne nécessite aucun autre entretien qu'un nettoyage régulier.
- ◆ Nettoyez régulièrement les fentes de ventilation de votre outil/appareil/chargeur à l'aide d'une brosse douce ou d'un chiffon sec.
- ◆ Nettoyez régulièrement le carter moteur à l'aide d'un chiffon humide. N'utilisez pas de produit abrasif ou à base de solvant.
- ◆ Ouvrez régulièrement le mandrin (le cas échéant) et tapotez dessus pour retirer toute poussière à l'intérieur.

## Retrait du carter de protection (fig. A)

**Attention !** Retirez le carter de protection uniquement à des fins d'entretien. Remettez toujours le carter de protection en place après l'entretien.

- ◆ Insérez de petites goupilles dans les orifices (9) de chaque côté du support (8) et tirez le carter de protection (4) en avant.
- ◆ Retirez les goupilles et enlevez le carter de protection de l'outil.

## Dépannage

Si l'outil ne fonctionne pas correctement, contrôlez les points suivants :

Erreur	Cause possible	Action
L'outil ne démarre pas	Fusible grillé. RCD déclenché Pas d'alimentation électrique.	Remplacez le fusible Vérifiez RCD Vérifiez l'alimentation du secteur.

## Protection de l'environnement



Collecte séparée. Ce produit ne doit pas être jeté avec les déchets domestiques normaux.

Si vous décidez de remplacer ce produit Black & Decker, ou si vous n'en avez plus l'utilité, ne le jetez pas avec vos déchets domestiques. Rendez-le disponible pour une collecte séparée.



La collecte séparée des produits et emballages utilisés permet le recyclage des articles afin de les utiliser à nouveau. Le fait d'utiliser à nouveau des produits recyclés permet d'éviter la pollution environnementale et de réduire la demande de matières premières.

Les réglementations locales peuvent permettre la collecte séparée des produits électriques du foyer, dans des déchetteries municipales ou auprès du revendeur vous ayant vendu votre nouveau produit.

Black & Decker fournit un dispositif permettant de collecter et de recycler les produits Black & Decker lorsqu'ils ont atteint la fin de leur cycle de vie. Pour pouvoir profiter de ce service, veuillez retourner votre produit à un réparateur agréé qui se chargera de le collecter pour nous.

Pour connaître l'adresse du réparateur agréé le plus proche de chez vous, contactez le bureau Black & Decker à l'adresse indiquée dans ce manuel. Vous pourrez aussi trouver une liste des réparateurs agréés de Black & Decker et de plus amples détails sur notre service après-vente sur le site Internet à l'adresse suivante : [www.2helpU.com](http://www.2helpU.com)

## Caractéristiques techniques

	GT90	GT100	GT110	GT115
	TYPE 3	TYPE 3	TYPE 3	TYPE 3
Tension	V <sub>AC</sub> 230	230	230	230
Puissance absorbée	W 380	400	420	420
Courses des lames (sans charge)	min <sup>-1</sup> 1.900	1.900	1.900	1.900
Longueur des lames	cm 42	42	50	55
Écart des lames	mm 16	16	16	16
Délai d'arrêt des lames	s < 1,0	< 1,0	< 1,0	< 1,0
Poids (sauf cordon d'alimentation)	kg 2,2	2,2	2,3	2,4

Valeurs totales de vibration (somme vectorielle triax) selon

EN 60745 :

Valeur d'émissions de vibrations ( $a_{h1}$ ) 1,9 m/s<sup>2</sup>,  
incertitude (K) 1,5 m/s<sup>2</sup>

## Déclaration de conformité CE

DIRECTIVE MACHINES

DIRECTIVE BRUIT DANS L'ENVIRONNEMENT



GT90/GT100/GT110/GT115

Black & Decker déclare que ces produits décrits sous les "caractéristiques techniques" sont conformes avec :  
98/37/CE (jusqu'au 28 déc. 2009), 2006/42/CE  
(à compter du 29 déc. 2009), EN 60745-1, EN 60745-2-15

2000/14/CE, Taille-haies, 1400 min<sup>-1</sup>, Annexe V

L<sub>WA</sub> (pression sonore mesurée) 96,5 dB(A)

L<sub>WA</sub> (pression sonore garantie) 99 dB(A)

Ces produits sont également conformes à la directive 2004/108/CE. Pour en savoir plus, veuillez contacter Black & Decker à l'adresse suivante ou consultez le dos du manuel.

Le soussigné est responsable de la compilation du fichier technique et effectue cette déclaration au nom de Black & Decker.

Kevin Hewitt

Vice-président Ingénierie globale  
Black & Decker Europe, 210 Bath Road, Slough,  
Berkshire, SL1 3YD  
Royaume Uni  
8-9-2009

## Garantie

Black & Decker est confiant dans la qualité de ses produits et vous offre une garantie très étendue. Ce certificat de garantie est un document supplémentaire et ne peut en aucun cas se substituer à vos droits légaux. La garantie est valable sur tout le territoire des Etats Membres de l'Union Européenne et de la Zone de Libre Echange Européenne.

Si un produit Black & Decker s'avère défectueux en raison de matériaux en mauvaises conditions, d'une erreur humaine, ou d'un manque de conformité dans les 24 mois suivant la date d'achat, Black & Decker garantit le remplacement des pièces défectueuses, la réparation des produits usés ou cassés ou remplace ces produits à la convenance du client, sauf dans les circonstances suivantes :

- ◆ Le produit a été utilisé dans un but commercial, professionnel, ou a été loué.
- ◆ Le produit a été mal utilisé ou avec négligence.
- ◆ Le produit a subi des dommages à cause d'objets étrangers, de substances ou à cause d'accidents.
- ◆ Des réparations ont été tentées par des techniciens ne faisant pas partie du service technique de Black & Decker.

Pour avoir recours à la garantie, il est nécessaire de fournir une preuve d'achat au vendeur ou à un réparateur agréé.

Pour connaître l'adresse du réparateur agréé le plus proche de chez vous, contactez le bureau Black & Decker à l'adresse indiquée dans ce manuel. Vous pourrez aussi trouver une liste des réparateurs agréés de Black & Decker et de plus amples détails sur notre service après-vente sur le site Internet à l'adresse suivante : **[www.2helpU.com](http://www.2helpU.com)**

Visitez notre site Web **[www.blackanddecker.fr](http://www.blackanddecker.fr)** pour enregistrer votre nouveau produit Black & Decker et être informé des nouveaux produits et des offres spéciales. Pour plus d'informations concernant la marque Black & Decker et notre gamme de produits, consultez notre site **[www.blackanddecker.fr](http://www.blackanddecker.fr)**

## Uso previsto

Il taglia siepi Black & Decker è stato progettato per tagliare siepi, cespugli e fronde. L'utensile è stato progettato per un uso individuale.

## Precauzioni di sicurezza

### Avvisi generali di sicurezza per l'elettrotrattente



**Attenzione! Leggere tutti gli avvisi e le istruzioni di sicurezza.** La mancata osservanza dei seguenti avvisi e istruzioni potrebbe causare scosse elettriche, incendi e/o infortuni gravi.

**Conservare tutte gli avvisi e le istruzioni per consultazioni future.** Il termine "elettrotrattente" che ricorre in tutte le seguenti avvertenze si riferisce ad utensili elettrici con o senza filo.

1. **Sicurezza dell'area di lavoro**
    - a. **Mantenere pulita e bene illuminata l'area di lavoro.** Il disordine o la scarsa illuminazione possono causare incidenti.
    - b. **Evitare d'impiegare gli elettrotrattenti in ambienti esposti al rischio di esplosione, ad esempio in presenza di liquidi, gas o polveri infiammabili.**  
Gli elettrotrattenti producono scintille che possono far infiammare la polvere o i fumi.
    - c. **Mantenere lontani bambini ed astanti mentre si usa l'elettrotrattente.** Eventuali distrazioni possono comportare la perdita del controllo dell'elettrotrattente.
  2. **Sicurezza elettrica**
    - a. **La spina elettrica deve essere adatta alla presa. Evitare assolutamente di alterare la spina.**  
**Non impiegare spine adattatrici con elettrotrattenti provvisti di messa a terra.** L'uso di spine inalterate e corrispondenti alle prese della rete domestica riduce il rischio di scosse elettriche.
    - b. **Evitare il contatto fisico con superfici collegate a terra, come tubi, radiatori, forni e frigoriferi.** Un corpo collegato a terra è esposto maggiormente al rischio di scosse elettriche.
    - c. **Custodire gli elettrotrattenti al riparo dalla pioggia o dall'umidità.** L'eventuale infiltrazione di acqua in un elettrotrattente aumenta il rischio di scosse elettriche.
    - d. **Non esporre il cavo a sollecitazioni. Non usare il cavo per trasportare o trainare l'elettrotrattente e non tirarlo per estrarre la spina dalla presa di corrente.**  
**Mantenere il cavo a distanza da fonti di calore, olio, bordi taglienti e/o parti in movimento.** I cavi elettrici danneggiati o aggrovigliati aumentano il rischio di scosse elettriche.
  3. **Sicurezza delle persone**
    - a. **È importante concentrarsi su ciò che si sta facendo e maneggiare con giudizio l'elettrotrattente.**  
**Non adoperare l'elettrotrattente se si è stanchi o sotto l'effetto di stupefacenti, alcol o medicinali.** Un attimo di distrazione durante l'uso dell'elettrotrattente può causare gravi infortuni personali.
    - b. **Indossare un equipaggiamento protettivo. Utilizzare sempre occhiali protettivi di sicurezza.** Indossando un equipaggiamento protettivo, ad esempio: maschera antipolvere, calzature di sicurezza con suola antiscivolo, casco e protezioni per l'udito, in condizioni adeguate, si riduce il rischio di lesioni personali.
    - c. **Evitare l'accensione involontaria dell'elettrotrattente.**  
**Verificare che l'interruttore di accensione sia posizionato su off prima di collegare il cavo di alimentazione o la batteria, di sollevare o trasportare l'elettrotrattente.** Trasportare gli elettrotrattenti con il dito sull'interruttore di accensione o collegare all'alimentazione elettrotrattenti con l'interruttore posizionato su on, favorisce il verificarsi di incidenti.
    - d. **Prima di accendere un elettrotrattente, togliere eventuali chiavi o attrezzi di regolazione.** Un attrezzo o una chiave lasciati in un componente mobile dell'elettrotrattente possono causare lesioni.
    - e. **Non sporgersi. Mantenere sempre un buon equilibrio evitando posizioni malsicure.** In questo modo è possibile controllare meglio l'elettrotrattente in situazioni inaspettate.
    - f. **Vestirsi adeguatamente. Evitare di indossare indumenti larghi o gioielli. Tenere capelli, vestiti e guanti lontani dalle parti in movimento.** Vestiti larghi, gioielli o capelli lunghi possono impigliarsi nei componenti in movimento.
    - g. **Se gli elettrotrattenti sono provvisti di attacchi per la connessione di dispositivi di aspirazione o raccolta della polvere, assicurarsi che questi siano installati e utilizzati correttamente.** L'uso di un dispositivo di aspirazione può ridurre i rischi correlati alle polveri.
  4. **Uso e cura degli elettrotrattenti**
    - a. **Non sovraccaricare l'elettrotrattente. Usare un elettrotrattente idoneo al lavoro da eseguire.**  
Un elettrotrattente appropriato permetterà una migliore e più sicura lavorazione alla potenza nominale prevista.
- e. **Se l'elettrotrattente viene adoperato all'aperto, usare esclusivamente prolunghe omologate per l'impiego all'esterno.** Un cavo adatto per impieghi all'esterno riduce il rischio di scosse elettriche.
  - f. **Se l'uso di un elettrotrattente in un ambiente umido è inevitabile, utilizzare una fonte di alimentazione dotata di un dispositivo di protezione da correnti residue (RCD).** L'uso di un RCD riduce il rischio di scosse elettriche.

- b. **Non utilizzare elettrodomestici con interruttori difettosi.**  
Un elettrodomestico che non può essere controllato mediante l'interruttore è pericoloso e deve essere riparato.
- c. **Scollegare la spina dalla presa e/o estrarre la batteria dall'elettrodomestico prima di eseguire regolazioni, di sostituire degli accessori o di riporre l'elettrodomestico.**  
Queste precauzioni riducono le possibilità che l'elettrodomestico venga messo in funzione accidentalmente.
- d. **Quando non vengono usati, gli elettrodomestici devono essere custoditi fuori della portata dei bambini. Non consentire l'uso dell'elettrodomestico a persone inesperte o che non abbiano letto le presenti istruzioni.** Gli elettrodomestici risultano pericolosi se usati da persone inesperte.
- e. **Sottoporre gli elettrodomestici alle procedure di manutenzione del caso. Verificare che le parti mobili siano bene allineate e non inceppate, che non vi siano componenti rotti e che non sussistano altre condizioni che possano compromettere il funzionamento dell'elettrodomestico. In caso di danni, riparare l'elettrodomestico prima dell'uso.** La scarsa manutenzione causa molti incidenti.
- f. **Mantenere affilati e puliti gli utensili da taglio.** Se sottoposti alla corretta manutenzione, gli utensili da taglio con taglienti affilati s'inceppano meno frequentemente e sono più facili da manovrare.
- g. **Utilizzare l'elettrodomestico, gli accessori, le punte ecc. in conformità alle presenti istruzioni, tenendo conto delle condizioni lavorative e del tipo di lavoro da eseguire.** L'impiego degli elettrodomestici per usi diversi da quelli previsti può dar luogo a situazioni di pericolo.

## 5. Riparazioni

- a. **Fare riparare l'elettrodomestico solo ed esclusivamente da personale specializzato e solo impiegando pezzi di ricambio originali.** Ciò permetterà di conservare le condizioni di sicurezza dell'elettrodomestico.

## Ulteriori avvisi di sicurezza per l'elettrodomestico



**Attenzione!** Ulteriori avvisi di sicurezza per tagliaesiepi

- ◆ **Tenere tutte le parti del corpo distanti dalla lama da taglio. Non rimuovere il materiale tagliato o il materiale fissato da tagliare quando le lame sono in movimento. Verificare che l'interruttore sia su off per eliminare l'eventuale materiale inceppato.** Un attimo di distrazione durante l'uso dell'elettrodomestico può causare gravi infortuni personali.
- ◆ **Trasportare il tagliaesiepi per l'impugnatura con le lame da taglio bloccate. Per trasportare o riporre il tagliaesiepi, inserire sempre la copertura del dispositivo di taglio.** Maneggiando correttamente il tagliaesiepi si riduce la possibilità di lesioni personali dovute alle lame da taglio.
- ◆ **Mantenere il cavo distante dall'area di taglio.** Durante il funzionamento, il cavo potrebbe essere nascosto dai cespugli ed essere tagliato accidentalmente dall'impugnatura.
- ◆ Questo elettrodomestico non è destinato ad essere utilizzato da persone (bambini inclusi) con ridotte capacità fisiche, sensoriali o mentali, senza esperienza o non in possesso delle dovute conoscenze, senza la supervisione o l'addestramento sull'uso dell'elettrodomestico da parte di una persona responsabile per la loro sicurezza. Controllare i bambini per evitare che giochino con l'elettrodomestico.
- ◆ L'utilizzo previsto è quello indicato nel presente manuale. L'utilizzo di qualsiasi accessorio o attrezzatura o l'uso del presente elettrodomestico per scopi diversi da quelli consigliati nel presente manuale d'istruzioni potrebbero comportare il rischio di infortuni e/o danni alle proprietà.
- ◆ Non trasportare l'elettrodomestico con le mani sull'interruttore dell'impugnatura frontale o sul grilletto a meno che la batteria non sia stata tolta.
- ◆ Se non si è pratici di tagliaesiepi, oltre a studiare questo manuale è consigliabile chiedere istruzioni pratiche ad un esperto.
- ◆ Non toccare mai le lame mentre l'elettrodomestico è in funzione.
- ◆ Non cercare di fermare le lame.
- ◆ Non lasciare per terra l'elettrodomestico fino a che le lame non si sono completamente fermate.
- ◆ Controllare regolarmente che le lame non siano danneggiate o usurate. Non usare l'elettrodomestico se le lame sono danneggiate.
- ◆ Fare attenzione a non toccare oggetti duri (p.e. fili metallici, ringhiere) durante il taglio. Nel caso in cui si colpisca accidentalmente un oggetto di questo tipo, spegnere immediatamente l'elettrodomestico per verificare che non abbia subito danni.
- ◆ Se l'elettrodomestico comincia a vibrare in modo anomalo, spegnerlo immediatamente per verificare la presenza di eventuali danni.
- ◆ Se l'elettrodomestico si blocca, spegnerlo immediatamente. Togliere la batteria prima di togliere eventuali ostruzioni.
- ◆ Dopo l'uso, coprire le lame con la guaina in dotazione. Conservare l'elettrodomestico assicurandosi che la lama non sia esposta.
- ◆ Quando si usa l'attrezzo, verificare sempre che siano montate tutte le protezioni. Non tentare mai di utilizzare un elettrodomestico privo di alcuni componenti o che sia stato sottoposto a modifiche non autorizzate.



- ◆ Vietare ai bambini l'uso dell'elettrotensile.
- ◆ Attenzione alla caduta di detriti che si verifica quando si potano i lati alti di una siepe.
- ◆ Sostenere sempre l'elettrotensile con entrambe le mani e mediante le apposite impugnature.

### Sicurezza altrui

- ◆ Questo elettrotensile non è destinato ad essere utilizzato da persone (bambini inclusi) con ridotte capacità fisiche, sensoriali o mentali, senza esperienza o non in possesso delle dovute conoscenze, senza la supervisione o l'addestramento da parte di una persona responsabile per la loro sicurezza.
- ◆ Controllare i bambini per evitare che giochino con l'elettrotensile.

### Vibrazioni

I valori delle vibrazioni dichiarati nei dati tecnici e nella dichiarazione di conformità sono stati misurati in conformità ai metodi di test standard descritti in: EN 60745 e possono essere utilizzati per comparare due elettrotensili. I valori di emissioni dichiarati possono essere usati anche per una valutazione preliminare dell'esposizione.

**Attenzione!** Il valore delle vibrazioni durante l'uso dell'elettrotensile può differire dai valori dichiarati a seconda del modo in cui viene usato l'elettrotensile. Il livello di vibrazioni può aumentare rispetto al livello nominale.

Quando si valuta l'esposizione alle vibrazioni e si stabiliscono le misure di sicurezza richieste dalla direttiva 2002/44/CE per proteggere il personale che utilizza regolarmente gli elettrotensili nello svolgimento delle proprie funzioni, considerare una stima dell'esposizione alle vibrazioni, le effettive condizioni d'uso e il modo in cui l'elettrotensile viene usato, analizzando tutte le parti del ciclo operativo, ovvero i periodi in cui l'elettrotensile è spento o gira a vuoto, oltre al tempo in cui è in uso.

### Etichette sull'elettrotensile

Sull'elettrotensile sono presenti le seguenti immagini:



**Attenzione!** Per ridurre il rischio di lesioni, l'utente è tenuto a leggere il presente manuale di istruzioni.



Portare sempre occhiali di sicurezza e cuffie per le orecchie.



Indossate guanti quando fate funzionare questo utensile.



Estrarre immediatamente il cavo dalla presa di corrente se è danneggiato o tagliato.



Non esponete l'utensile alla pioggia od a condizioni di alta umidità.

### Sicurezza elettrica



Il doppio isolamento di cui è provvisto l'elettrotensile rende superfluo il filo di terra. Controllare sempre che l'alimentazione corrisponda alla tensione indicata sulla targhetta delle caratteristiche.

- ◆ Se il cavo elettrico in dotazione risulta danneggiato, deve essere sostituito dal produttore o da un Centro di assistenza autorizzato Black & Decker, onde evitare rischi.

### Impiego di una prolunga

Adoperare sempre una prolunga di tipo omologato, adeguata alla potenza assorbita dell'utensile (v. scheda tecnica).

La prolunga deve recare la targhetta che la identifica come adatta per uso esterno. È possibile adoperare un cavo di prolunga H05V V-F da 1,5 mm<sup>2</sup> lungo fino a 30 m, senza perdita di potenza. Prima dell'uso, controllare che la prolunga non presenti segni di danni, usura e invecchiamento. Una prolunga danneggiata o difettosa deve sempre essere sostituita. Se si utilizza un avvolgitore, estrarre il cavo per l'intera lunghezza.

### Funzioni

Questo elettrotensile è dotato di tutte le caratteristiche elencate di seguito, o di alcune di esse.

1. Interruttore a grilletto
2. Interruttore impugnatura frontale
3. Impugnatura anteriore
4. Protezione
5. Lama
6. Guaina della lama
7. Fermacavo

Questo tagliasièpi offre le seguenti funzioni:

- ◆ Impugnature ergonomiche per eseguire i tagli in modo confortevole.
- ◆ Lame affilate con estrema precisione per un taglio perfetto.
- ◆ Lame a doppia azione per ridurre le vibrazioni.

### Montaggio

**Attenzione!** Prima di eseguire il montaggio, accertarsi che l'elettrotensile sia spento, che la spina sia disinserita dalla presa e che la guaina sia installata sopra le lame.

### Installazione della protezione (fig. A)

- ◆ Posizionare la protezione (4) sulla staffa di montaggio (8).
- ◆ Premere la protezione sulla staffa fino a che non si inserisce a scatto.



**Attenzione!** Non usare mai l'elettrotensile senza la protezione.

### Collegamento dell'elettrotensile alla presa di corrente (fig. B)

A meno che l'elettrotensile non sia dotato di un cavo di alimentazione di rete, è necessario collegare una prolunga all'ingresso dell'alimentazione.

- ◆ Collegare alla presa per l'alimentazione dell'elettrotensile la femmina di una prolunga adatta allo scopo.
- ◆ Avvolgere il cavo intorno al fermo (7) come indicato nella figura, per evitare che la prolunga si stacchi durante l'uso.
- ◆ Inserire la spina di alimentazione principale in una presa di alimentazione di rete.

**Attenzione!** Utilizzare una prolunga per uso esterno. Se si utilizza un avvolgitore, estrarre il cavo per l'intera lunghezza.

### Uso

**Attenzione!** Lasciare che l'utensile lavori al suo ritmo, senza sovraccaricarlo.

- ◆ Dirigere con attenzione il cavo per evitare di tagliarlo involontariamente. Per controllare meglio il cavo si consiglia di farlo passare sulla spalla.
- ◆ Per ragioni di sicurezza, questo elettrotensile viene fornito con un sistema di doppi interruttori che ne impedisce l'avviamento accidentale e ne permette il funzionamento soltanto quando è impugnato con entrambe le mani.

### Avviamento e spegnimento

#### Accensione

- ◆ Afferrare l'impugnatura anteriore (3) con una mano in modo da premere l'interruttore sull'impugnatura (2) nel corpo dell'elettrotensile.
- ◆ Con l'altra mano, premere l'interruttore a grilletto (1) per accendere l'elettrotensile.

#### Spegnimento

- ◆ Rilasciare l'interruttore sull'impugnatura (2) o l'interruttore a grilletto (1).

**Attenzione!** Non tentare mai di bloccare l'interruttore in posizione di accensione.

### Consigli per un'ottima utilizzazione

- ◆ Iniziare tagliando la parte superiore della siepe. Inclinare leggermente l'elettrotensile (fino a 15° rispetto alla linea di taglio) in modo che le punte della lama siano leggermente rivolte verso la siepe (fig. C1). Questo accorgimento farà sì che le lame taglino più efficacemente. Mantenere l'elettrotensile all'angolazione desiderata e spostarlo con decisione lungo la linea di taglio. La lama sui due lati consente di tagliare in qualsiasi direzione.

- ◆ Per ottenere un taglio dritto, usare una cordicella e fissarla all'altezza desiderata, lungo tutta la siepe. Usare la cordicella come guida, tagliando appena sopra di essa.
- ◆ Per ottenere fianchi pareggiati, tagliare verso l'alto nel senso della crescita. Quando la lama taglia verso il basso, i rami giovani si spostano verso l'esterno e ciò provoca dei buchi nella siepe (fig. C2).
- ◆ Fare attenzione ad evitare qualsiasi oggetto estraneo. Evitare, in particolare, oggetti duri come fili di metallo e ringhiere poiché potrebbero danneggiare le lame.
- ◆ Lubrificare le lame ad intervalli regolari.

### Quando tagliare

- ◆ In linea di massima le siepi con foglie stagionali si tagliano in giugno ed ottobre.
- ◆ I sempreverdi possono essere tagliati in aprile ed agosto.
- ◆ Conifere e altre siepi a crescita rapida possono essere tagliate ogni 6 settimane circa da maggio in avanti.

### Manutenzione

Questo apparecchio/elettrotensile con filo o a batteria Black & Decker è stato progettato per funzionare a lungo con un minimo di manutenzione. Per un funzionamento sempre soddisfacente è necessario avere cura dell'elettrotensile e provvedere alla regolare pulizia.

**Attenzione!** Prima di eseguire qualunque intervento di manutenzione su elettrotensili con filo o a batteria:

- ◆ Spegner l'apparecchio/elettrotensile e disinserire la spina.
- ◆ Oppure spegnere e rimuovere la batteria se l'apparecchio/elettrotensile è dotato di una batteria separata.
- ◆ Oppure, far scaricare completamente la batteria, se è integrata, quindi spegnere l'elettrotensile.
- ◆ Scollegare il caricabatterie dalla presa elettrica prima di pulirlo. Il caricabatterie non richiede alcun tipo di manutenzione oltre a una regolare pulizia.
- ◆ Pulire regolarmente con una spazzola morbida o un panno asciutto le prese di ventilazione dell'elettrotensile/apparecchio e del caricabatterie.
- ◆ Il vano del motore deve essere pulito regolarmente con un panno umido. Non usare materiali abrasivi o detergenti a base di solventi.
- ◆ Aprire regolarmente il mandrino e colpirlo leggermente per togliere tutta la polvere dall'interno (quando è installato).

### Rimozione della protezione (fig. A)

**Attenzione!** Rimuovere la protezione esclusivamente per eseguire una manutenzione. Reinserrire sempre la protezione dopo aver terminato la manutenzione.

- ◆ Inerire dei piccoli perni nei fori (9) da entrambi i lati della staffa (8) e spingere la protezione (4) in avanti.
- ◆ Estrarre i perni e smontare la protezione dall'elettrotensile.

## Risoluzione dei problemi

Se l'elettrotensile non funziona correttamente, controllare quanto segue:

Avaria	Causa possibile	Azione
L'elettrotensile non si accende.	Fusibile bruciato.	Sostituire il fusibile.
	Dispositivo di corrente residua inceppato.	Controllare il dispositivo di corrente residua.
	Alimentazione principale non connessa.	Controllare l'alimentazione.

## Protezione dell'ambiente



Raccolta differenziata. Questo prodotto non deve essere smaltito con i normali rifiuti domestici.

Nel caso in cui si decida di sostituire l'apparecchio oppure di disfarsene in quanto non più necessario, non dovrà essere smaltito con i normali rifiuti domestici. Smaltire il prodotto tramite raccolta differenziata.



La raccolta differenziata di prodotti e imballaggi usati, consente il riciclaggio e il riutilizzo dei materiali. Riutilizzare i materiali riciclati aiuta a prevenire l'inquinamento ambientale e riduce la richiesta di materie prime.

In base alle normative locali, i servizi per la raccolta differenziata di elettrodomestici possono essere disponibili presso i punti di raccolta municipali o presso il rivenditore, al momento dell'acquisto di un nuovo prodotto.

Black & Decker offre ai suoi clienti un servizio per la raccolta differenziata e la possibilità di riciclare i prodotti Black & Decker che hanno esaurito la loro durata in servizio. Per usufruire del servizio, è sufficiente restituire il prodotto a qualsiasi tecnico autorizzato, incaricato della raccolta per conto dell'azienda.

Per individuare il tecnico autorizzato più vicino, rivolgersi alla sede Black & Decker locale, presso il recapito indicato nel presente manuale. Altrimenti un elenco completo di tutti i tecnici autorizzati Black & Decker e i dettagli completi sui contatti e i servizi post-vendita sono disponibili sul sito Internet: [www.2helpU.com](http://www.2helpU.com)

## Dati tecnici

	GT90	GT100	GT110	GT115
	TYPE 3	TYPE 3	TYPE 3	TYPE 3
Tensione	V <sub>AC</sub> 230	230	230	230
Potenza assorbita	W 380	400	420	420
Corsa lama (senza carico) min <sup>-1</sup>	1.900	1.900	1.900	1.900
Lunghezza lama	cm 42	42	50	55
Separazione lama	mm 16	16	16	16
Tempo di arresto lama	s < 1,0	< 1,0	< 1,0	< 1,0
Peso (escl. cavo di alimentazione) kg	2,2	2,2	2,3	2,4

Valori totali di vibrazione (somma vettoriale triax) determinati in base a EN 60745:

Valore di emissione delle vibrazioni (a<sub>n</sub>) 1,9 m/s<sup>2</sup>, incertezza (K) 1,5 m/s<sup>2</sup>

## Dichiarazione di conformità CE

DIRETTIVA MACCHINE

DIRETTIVA SULLE EMISSIONI ACUSTICHE ALL'ARIA APERTA



GT90/GT100/GT110/GT115

Black & Decker dichiara che i prodotti descritti nella sezione "dati tecnici" sono conformi con:

98/37/CE (fino al 28 dicembre 2009), 2006/42/CE (dal 29 dicembre 2009), EN 60745-1, EN 60745-2-15

2000/14/CE, Tagliasiepe, 1400 min<sup>-1</sup>, Allegato V

L<sub>WA</sub> (potenza sonora misurata) 96,5 dB(A)

L<sub>WA</sub> (potenza sonora garantita) 99 dB(A)

Detti prodotti sono inoltre conformi con la direttiva 2004/108/CE.

Per ulteriori informazioni, contattare Black & Decker ai seguenti indirizzi o consultare il retro del manuale.

Il sottoscritto è responsabile della compilazione del file tecnico e rilascia la presente dichiarazione per conto di Black & Decker.

Kevin Hewitt

Vicepresidente progettazione globale  
Black & Decker Europe, 210 Bath Road, Slough,  
Berkshire, SL1 3YD  
Regno Unito  
8-9-2009

## Garanzia

Certa della qualità dei suoi prodotti, Black & Decker offre una garanzia eccezionale. Il presente certificato di garanzia è complementare ai diritti statutari e non li pregiudica in alcun modo. La garanzia è valida entro il territorio degli Stati membri dell'Unione Europea e dell'EFTA (European Free Trade Area).

Se un prodotto Black & Decker risulta difettoso per qualità del materiale, della costruzione o per mancata conformità entro 24 mesi dalla data di acquisto, Black & Decker garantisce la sostituzione delle parti difettose, provvede alla riparazione dei prodotti se ragionevolmente usurati oppure alla loro sostituzione, in modo da ridurre al minimo il disagio del cliente a meno che:

- ◆ Il prodotto non sia stato destinato ad usi commerciali, professionali o al noleggio;
- ◆ Il prodotto non sia stato usato in modo improprio o scorretto;
- ◆ Il prodotto non abbia subito danni causati da oggetti o sostanze estranee oppure incidenti;
- ◆ Il prodotto non abbia subito tentativi di riparazione non effettuati da tecnici autorizzati né dall'assistenza Black & Decker.

Per attivare la garanzia è necessario esibire la prova comprovante l'acquisto al venditore o al tecnico autorizzato. Per individuare il tecnico autorizzato più vicino, rivolgersi alla sede Black & Decker locale, presso il recapito indicato nel presente manuale. Altrimenti un elenco completo di tutti i tecnici autorizzati Black & Decker e i dettagli completi sui contatti e i servizi post-vendita sono disponibili su Internet presso: **[www.2helpU.com](http://www.2helpU.com)**

I clienti che desiderano registrare il nuovo prodotto Black & Decker e ricevere gli aggiornamenti sui nuovi prodotti e le offerte speciali, sono invitati a visitare il sito Web (**[www.blackanddecker.it](http://www.blackanddecker.it)**). Ulteriori informazioni sul marchio e la gamma di prodotti Black & Decker sono disponibili all'indirizzo **[www.blackanddecker.it](http://www.blackanddecker.it)**

## Gebruik volgens bestemming

Uw Black & Decker heggenschaar is bestemd voor het knippen van heggen, struiken en heesters. Deze machine is uitsluitend bestemd voor consumentengebruik.

## Veiligheidsvoorschriften

### Algemene veiligheidswaarschuwingen voor elektrisch gereedschap



**Waarschuwing! Lees alle veiligheidsinstructies en alle voorschriften.** Wanneer de volgende waarschuwingen en voorschriften niet in acht worden genomen, kan dit een elektrische schok, brand of ernstig letsel tot gevolg hebben.

### Bewaar alle waarschuwingen en instructies zorgvuldig.

Het hierna gebruikte begrip "elektrisch gereedschap" heeft betrekking op elektrische gereedschappen voor gebruik op het stroomnet (met netsnoer) of op batterijen (snoerloos).

#### 1. Veiligheid van de werkomgeving

- a. **Houd uw werkomgeving schoon en opgeruimd.**  
Een rommelige en een onverlichte werkomgeving kan tot ongevallen leiden.
- b. **Werk niet met elektrische gereedschappen in een omgeving met explosiegevaar, zoals in aanwezigheid van brandbare vloeistoffen, gassen of stof.** Elektrische gereedschappen veroorzaken vonken die het stof of de dampen tot ontsteking kunnen brengen.
- c. **Houd kinderen en andere personen tijdens het gebruik van het elektrische gereedschap uit de buurt.** Wanneer u wordt afgeleid, kunt u de controle over het gereedschap verliezen.

#### 2. Elektrische veiligheid

- a. **De netstekker van het gereedschap moet in het stopcontact passen. De stekker mag in geen geval worden veranderd. Gebruik geen adapterstekkers in combinatie met gearde gereedschappen.**  
Onveranderde stekkers en passende stopcontacten verminderen de kans op een elektrische schok.
- b. **Voorkom aanraking van het lichaam met gearde oppervlakken, bijvoorbeeld buizen, verwarmingen, fornuizen en koelkasten.** De kans op een elektrische schok is groter als uw lichaam geard is.
- c. **Stel elektrisch gereedschap niet bloot aan regen en vocht.** In elektrisch gereedschap binnendringend water vergroot de kans op een elektrische schok.

- d. **Gebruik het snoer niet voor een verkeerd doel. Gebruik het snoer niet om het gereedschap te dragen, voor te trekken of om de stekker uit het stopcontact te trekken. Houd het snoer uit de buurt van hitte, olie, scherpe randen of bewegende delen.** Beschadigde of in de war geraakte snoeren vergroten de kans op een elektrische schok.
- e. **Gebruik wanneer u buitenshuis met elektrisch gereedschap werkt alleen verlengsnoeren die voor gebruik buitenshuis zijn goedgekeurd.** Het gebruik van een voor gebruik buitenshuis geschikt verlengsnoer verkleint de kans op een elektrische schok.
- f. **Gebruik een netvoeding voorzien van een reststroomvoorziening (RCD) indien het gebruiken van elektrisch gereedschap op een vochtige locatie onvermijdelijk is.** Gebruik van een reststroomvoorziening verkleint het risico van elektrische schok.

#### 3. Veiligheid van personen

- a. **Wees alert, let goed op wat u doet en ga met verstand te werk bij het gebruik van elektrische gereedschappen. Gebruik elektrisch gereedschap niet wanneer u moebent of onder invloed van drugs, alcohol of medicijnen.** Een moment van onoplettendheid bij het gebruik van het gereedschap kan tot ernstige verwondingen leiden.
- b. **Gebruik persoonlijke beschermende uitrusting. Draag altijd oogbescherming.** Persoonlijke beschermende uitrusting zoals een stofmasker, slijpvaste werkschoenen, een veiligheidshelm of gehoorbescherming, gebruikt voor geschikte condities, verkleint het risico van verwondingen.
- c. **Voorkom onbedoeld inschakelen. Zorg ervoor dat de schakelaar in de "uit"-stand staat voordat u de stekker in het stopcontact steekt, de accu plaatst of het gereedschap oppakt of draagt.** Het dragen van het gereedschap met uw vinger aan de schakelaar of het gereedschap ingeschakeld op de stroomvoorziening aansluiten kan tot ongelukken leiden.
- d. **Verwijder stelsleutels of moersleutels voordat u het gereedschap inschakelt.** Een sleutel in een draaiend onderdeel van het elektrische gereedschap kan tot verwondingen leiden.
- e. **Reik niet te ver. Zorg altijd dat u stevig staat en in evenwicht blijft.** Daardoor kunt u het gereedschap in onverwachte situaties beter onder controle houden.
- f. **Draag geschikte kleding. Draag geen loshangende kleding of sieraden. Houd haren, kleding en handschoenen uit de buurt van bewegende delen.** Loshangende kleding, sieraden en lange haren kunnen bekneld raken in bewegende delen.
- g. **Sluit eventueel bijgeleverde stofafzuig- of stofopvangvoorzieningen aan en gebruik ze op de juiste manier.** Het gebruik van stofopvang beperkt het gevaar door stof.

**4. Gebruik en onderhoud van elektrische gereedschappen**

- a. **Overbelast het gereedschap niet. Gebruik voor uw toepassing het daarvoor bestemde elektrische gereedschap.** Met het passende elektrische gereedschap werkt u beter en veiliger binnen het aangegeven capaciteitsbereik.
- b. **Gebruik geen elektrisch gereedschap waarvan de schakelaar defect is.** Elektrisch gereedschap dat niet meer kan worden in- of uitgeschakeld is gevaarlijk en moet worden gerepareerd.
- c. **Trek de stekker uit het stopcontact en/of accu alvorens het gereedschap af te stellen, accessoires te verwisselen of elektrisch gereedschap op te bergen.** Deze voorzorgsmaatregel voorkomt onbedoeld starten van het gereedschap.
- d. **Bewaar elektrische gereedschappen die niet worden gebruikt buiten bereik van kinderen. Laat personen die niet met het gereedschap vertrouwd zijn of deze aanwijzingen niet hebben gelezen niet met het gereedschap werken.** Elektrische gereedschappen zijn gevaarlijk in de handen van onervaren personen.
- e. **Verzorg het gereedschap zorgvuldig. Controleer bewegende delen van het gereedschap op goede uitlijning en soepele werking. Controleer of onderdelen niet gebroken zijn of dat de werking van het gereedschap niet op enige andere wijze nadelig wordt beïnvloed. Laat beschadigde delen repareren voordat u met het gereedschap gaat werken.** Veel ongevallen worden veroorzaakt door slecht onderhouden elektrische gereedschappen.
- f. **Houd snijgereedschappen scherp en schoon.** Zorgvuldig onderhouden snijgereedschappen met scherpe snijkanten lopen minder snel vast en zijn gemakkelijker te sturen.
- g. **Gebruik elektrische gereedschappen, toebehoren, inzetgereedschappen en dergelijke volgens deze aanwijzingen. Let daarbij op de arbeidsomstandigheden en de uit te voeren werkzaamheden.** Het gebruik van elektrische gereedschappen voor andere dan de voorziene toepassingen kan tot gevaarlijke situaties leiden.

**5. Service**

- a. **Laat het elektrische gereedschap alleen repareren door een gekwalificeerde reparateur en alleen met gebruik van originele vervangingsonderdelen.** Dit garandeert de veiligheid van het gereedschap.

**Aanvullende veiligheidsinstructies voor elektrisch gereedschap**



**Waarschuwing!** Aanvullende veiligheidswaarschuwingen voor heggenscharen

- ◆ **Houd alle lichaamsdelen uit de buurt van het snijblad. Verwijder geen snijmateriaal of houd geen materiaal vast dat gesneden moet worden als de messen in beweging zijn. Zorg ervoor dat de schakelaar is uitgeschakeld wanneer u vastzittend materiaal verwijderd.** Een moment van onoplettendheid bij het gebruik van het gereedschap kan tot ernstige verwondingen leiden.
- ◆ **Draag de heggenschaar bij de handgreep en met stilstaand snijblad. Plaats altijd de beschermkap wanneer u de heggenschaar vervoert of opbergt.** Juist gebruik van de heggenschaar verkleint het risico van persoonlijk letsel door het snijblad.
- ◆ **Houd het snoer uit de buurt van de snijbladen.** Tijdens het gebruik kan de kabel aan het zicht worden onttrokken en onbedoeld worden doorsneden.
- ◆ Dit apparaat is niet bedoeld voor gebruik door personen (inclusief kinderen) met beperkt lichamelijk, zintuiglijk of geestelijk vermogen of gebrek aan ervaring en kennis, tenzij zij onder toezicht staan of instructie hebben gekregen over het gebruik van het apparaat van een persoon die verantwoordelijk is voor hun veiligheid. Houd toezicht op kinderen om te voorkomen dat zij met het apparaat gaan spelen.
- ◆ Deze handleiding beschrijft het bedoelde gebruik van het apparaat. Gebruik van accessoires of hulpstukken of het uitvoeren van werkzaamheden met dit apparaat die niet in deze handleiding zijn beschreven, kan leiden tot persoonlijk letsel en/of schade aan eigendommen.
- ◆ Draag de machine niet met uw handen aan de voorste hendelschakelaar of de trekkerschakelaar zonder dat de batterij is verwijderd.
- ◆ Als u nooit eerder met een heggenschaar heeft gewerkt, dient u bij voorkeur praktische aanwijzingen te vragen aan een ervaren gebruiker als aanvulling op het bestuderen van deze handleiding.
- ◆ Raak nooit de messen aan terwijl de machine werkt.
- ◆ Probeer nooit om de messen geforceerd tot stilstand te brengen.
- ◆ Zet de machine niet neer voordat de messen volledig tot stilstand zijn gekomen.
- ◆ Controleer de messen regelmatig op beschadiging en slijtage. Gebruik de machine niet als de messen beschadigd zijn.

- ◆ Vermijd contact met harde voorwerpen (bijv. staaldraad, traliewerk) tijdens het knippen. Indien u per ongeluk een dergelijk voorwerp raakt, dient u de machine onmiddellijk uit te schakelen en op schade te controleren.
- ◆ Indien de machine abnormaal begint te trillen, dient u deze onmiddellijk uit te schakelen en op schade te controleren.
- ◆ Indien de machine vast komt te zitten, dient u deze onmiddellijk uit te schakelen. Verwijder de accu voordat u de obstakels probeert te verwijderen.
- ◆ Plaats na gebruik de meegeleverde beschermhuls over de messen. Zorg ervoor dat bij het opbergen van de machine de messen beschermd zijn.
- ◆ Zorg er altijd voor dat bij gebruik van deze machine alle veiligheidsvoorzieningen zijn aangebracht. Probeer nooit om een incomplete machine of een machine met niet goedgekeurde aanpassingen te gebruiken.
- ◆ Laat kinderen niet met de machine werken.
- ◆ Let op vallende takken bij het knippen van de hoge kanten van een heg.
- ◆ Houd het apparaat altijd met beide handen vast bij de hiervoor bedoelde handgrepen.

## Veiligheid van anderen

- ◆ Dit apparaat is niet bedoeld voor gebruik door personen (inclusief kinderen) met beperkt lichamelijk, zintuigelijk of geestelijk vermogen, of gebrek aan ervaring en kennis, tenzij ze de supervisie of instructie is gegeven omtrent het gebruik van het apparaat door een persoon die verantwoordelijk is voor hun veiligheid.
- ◆ Houd toezicht op kinderen om te voorkomen dat zij met het apparaat gaan spelen.

## Vibratie

De verklaarde trillingsafgifte in het gedeelte van de technische gegevens / conformiteitsverklaring zijn gemeten volgens een standaard testmethode vastgesteld door EN 60745 en kan worden gebruikt om apparaten met elkaar te vergelijken. De verklaarde trillingsafgifte kan ook worden gebruikt in een voorlopige beoordeling van blootstelling.

**Waarschuwing!** De waarde van de trillingsafgifte tijdens daadwerkelijk gebruik van elektrisch gereedschap kan afwijken van de verklaarde waarde afhankelijk op wat voor manieren het apparaat wordt gebruikt. Het trillingsniveau kan toenemen boven het aangegeven niveau.

Bij het bepalen van de trillingsblootstelling ter vaststelling van de veiligheidsmaatregelen vereist door 2002/44/EG - ter bescherming van personen die werkmattig geregeld elektrisch gereedschap gebruiken - dient een inschatting van de trillingsblootstelling de feitelijke gebruikscondities en bedieningswijze in acht te nemen, inclusief alle onderdelen van de bedieningscyclus, zoals het uitschakelen van het apparaat en het onbelast laten lopen alsmede de trekkertijd.

## Labels op de machine

Op de machine vindt u de volgende pictogrammen:



**Waarschuwing!** De gebruiker moet de handleiding lezen om risico op letsel te verkleinen



Draag altijd een veiligheidsbril en gehoorbeschermers.



Draag handschoenen als u deze machine bedient.



Trek als de kabel beschadigd raakt of wordt doorgezaagd onmiddellijk de stekker uit het stopcontact.



Stel de machine niet bloot aan regen of overmatige vochtigheid.

## Elektrische veiligheid



Deze machine is dubbel geïsoleerd; een aardaansluiting is daarom niet noodzakelijk. Controleer altijd of uw netspanning overeenkomt met de waarde op het typeplaatje.

- ◆ Indien het netsnoer is beschadigd, dient het ter voorkoming van gevaren te worden vervangen door de fabrikant of een erkend servicecentrum.

## Verlengsnoeren

Gebruik uitsluitend goedgekeurde verlengsnoeren, die geschikt zijn voor het vermogen van de machine (zie technische gegevens). Het verlengsnoer dient geschikt te zijn voor gebruik buitenshuis en als zodanig zijn gemerkt. Een 1,5 mm<sup>2</sup> H05V V-F verlengsnoer met een lengte tot 30 m kan worden gebruikt zonder dat dit de werking van de machine beïnvloedt. Controleer het verlengsnoer voor gebruik op beschadiging, veroudering en slijtage. Vervang een beschadigd of defect verlengsnoer. Wanneer het verlengsnoer op een haspel zit, rol het snoer dan helemaal af.

## Onderdelen

Al naar gelang de uitvoering beschikt deze machine over de volgende onderdelen.

1. Aan/uit-schakelaar
2. Voorste hendelschakelaar
3. Voorste hendel
4. Beschermkap
5. Mes
6. Beschermhuls
7. Netsnoerklem

Deze heggenschaar heeft de volgende voorzieningen voor uw gemak:

- ◆ Ergonomisch gevormde handgreep voor comfortabel knippen.
- ◆ Machinaal bewerkte bladen voor verbeterde snijverwerking.
- ◆ Dubbelwerkende messen voor het verminderen van trillingen.

## Assemblage

**Waarschuwing!** Zorg vóór aanvang van de montage dat de machine is uitgeschakeld en de netstekker van het lichtnet is losgekoppeld en dat de beschermhuls over de messen is geplaatst.

### Aanbrengen van de beschermkap (fig. A)

- ◆ Plaats het scherm (4) in de montagebeugel (8).
- ◆ Duw het scherm in de montagebeugel, totdat deze op zijn plaats klikt.

**Waarschuwing!** Gebruik de machine nooit zonder het scherm.

### Aansluiten van de machine op het elektriciteitsnet (fig. B)

Als de machine niet is voorzien van een netkabel, moet u een verlengsnoer op de stekker van de machine aansluiten.

- ◆ Sluit een geschikt verlengsnoer aan op de stekker van de machine.
- ◆ Haal het snoer door de trekontlasting (7), zoals afgebeeld, om te voorkomen dat tijdens gebruik het verlengsnoer losraakt.
- ◆ Steek de stekker in een stopcontact.

**Waarschuwing!** Het verlengsnoer dient geschikt te zijn voor gebruik buitenshuis. Wanneer het verlengsnoer op een haspel zit, rol het snoer dan helemaal af.

## Gebruik

**Waarschuwing!** Laat de machine op haar eigen tempo werken. Niet overbelasten.

- ◆ Geleid de kabel zorgvuldig om te voorkomen dat u deze per ongeluk doorsnijdt. Een goede methode om de kabel te geleiden is door hem over uw schouder te hangen.
- ◆ Voor uw veiligheid is deze machine uitgevoerd met een dubbel schakelsysteem.

Dit systeem voorkomt dat de machine per ongeluk wordt ingeschakeld en zorgt ervoor dat er alleen met de machine kan worden gewerkt als deze met beide handen wordt vastgehouden.

## Aan- en uitschakelen

### Inschakelen

- ◆ Houd de voorste handgreep (3) met een hand vast zodat de voorste hendelschakelaar (2) in de romp van de machine is geduwd.
- ◆ Met de andere hand knijpt u de aan/uit-schakelaar (1) in om de machine te starten.

### Uitschakelen

- ◆ Laat de handgreepschakelaar (2) of de aan/uit-schakelaar (1) los.

**Waarschuwing!** Probeer nooit om de schakelaar in de ingeschakelde stand te vergrendelen.

### Tips voor optimaal gebruik

- ◆ Begin met het knippen van de bovenkant van de heg. Houd de machine een beetje schuin (tot 15° ten opzichte van de knijplijn) zodat de bladpunten lichtjes naar de heg wijzen (fig. C1). Hierdoor zullen de messen beter snijden. Houd de machine in de gewenste hoek en beweeg gelijkmatig langs de knijplijn. Dankzij het dubbelzijdige mes kunt u in beide richtingen knippen.
- ◆ Span om mooi recht te knippen een stuk draad op de gewenste hoogte over de gehele lengte van de heg. Gebruik de draad als een richtlijn en knip er iets boven.
- ◆ Knip om vlakke zijanten te krijgen naar boven met de groei-richting mee. Jongere stammen bewegen naar buiten toe inzien u met het mes naar beneden knipt. Dit leidt tot oneffenheden in de heg (fig. C2).
- ◆ Vermijd contact met vreemde voorwerpen. In het bijzonder harde voorwerpen zoals staaldraad en traliwerk, aangezien deze de messen kunnen beschadigen.
- ◆ Olie regelmatig de bladen.

### Wanneer te snoeien

- ◆ De meeste heggen en struiken die hun bladeren verliezen kunnen in juni en oktober worden gesnoeid.
- ◆ Heggen en struiken die altijd groen blijven, kunnen in april en augustus worden gesnoeid.
- ◆ Coniferen en andere snelgroeïende struiken kunnen vanaf mei ongeveer om de 6 weken worden gesnoeid.

## Onderhoud

Uw Black & Decker machine met/zonder snoer is ontworpen om gedurende langere periode te functioneren met een minimum aan onderhoud. Voortdurend tevreden gebruik is afhankelijk van correct onderhoud en regelmatig schoonmaken.



## Waarschuwing! Vóór aanvang van

onderhoudswerkzaamheden aan apparaten met/zonder snoer:

- ◆ Schakel het apparaat / de machine uit en haal de stekker uit het stopcontact.
- ◆ Of schakel het apparaat / de machine uit of verwijder de accu van het apparaat / de machine indien het apparaat / de machine een aparte accu heeft.
- ◆ Of laat de accu volledig leeglopen indien de accu geïntegreerd is en schakel vervolgens uit.
- ◆ Haal voor het reinigen van de oplader de stekker uit het stopcontact. Uw oplader behoeft geen ander onderhoud dan een regelmatige reiniging.
- ◆ Reinig regelmatig de ventilatieopeningen van uw apparaat/machine/oplader met behulp van een zachte borstel of een droge doek.
- ◆ Reinig regelmatig de behuizing van de motor met een vochtige doek. Gebruik geen schuur- of oplosmiddel bij het reinigen.
- ◆ Open regelmatig de boorhouder en tik zachtjes om eventueel stof uit de binnenkant te verwijderen (indien aanwezig).

## Verwijderen van de beschermkap (fig. A)

**Waarschuwing!** Verwijder de beschermkap alleen voor onderhoudsdoeleinden. Breng de beschermkap na het onderhoud altijd weer aan.

- ◆ Steek aan beide kanten van de beugel smalle pennen in de gaten (9) en trek de beschermkap (4) naar voren.
- ◆ Verwijder de pennen en neem de beschermkap van de machine.

## Storingen verhelpen

Controleer wanneer het apparaat niet goed werkt het volgende:

Storing	Mogelijke oorzaak	Maatregel
Apparaat start niet.	Gesprongen zekering. RCD uitgeschakeld. Netsnoer niet aangesloten.	Vervang de zekering. Controleer de RCD. Controleer de netspanning.

## Milieu



Gescheiden inzameling. Dit product mag niet met het gewone huishoudelijke afval worden weggegooid.

Wanneer uw oude Black & Deckerproduct aan vervanging toe is of het u niet langer van dienst kan zijn, gooi het dan niet bij het huishoudelijk afval. Zorg ervoor dat het product gescheiden kan worden ingezameld.



Door gebruikte producten en verpakkingen gescheiden in te zamelen, worden de materialen gerecycled en opnieuw gebruikt.

Hergebruik van gerecyclede materialen voorkomt milieuvervuiling en vermindert de vraag naar grondstoffen.

Inzamelpunten voor gescheiden inzameling van elektrische huishoudproducten bij gemeentelijke vuilnisbergen of bij de verkoper waar u een nieuw product koopt, kunnen aan plaatselijke voorschriften gebonden zijn.

Black & Decker biedt de mogelijkheid tot inzamelen en recyclen van afgedankte Black & Decker producten. Om gebruik van deze service te maken, dient u het product aan een van onze servicecentra te sturen, die voor ons de inzameling verzorgen.

U kunt het adres van het dichtstbijzijnde servicecentrum opvragen via de adressen op de achterzijde van deze handleiding. U kunt ook een lijst van onze servicecentra en meer informatie m.b.t. onze klantenservice vinden op het volgende Internet-adres: [www.2helpU.com](http://www.2helpU.com)

## Technische gegevens

		GT90	GT100	GT110	GT115
		TYPE 3	TYPE 3	TYPE 3	TYPE 3
Spanning	$V_{AC}$	230	230	230	230
Opgenomen vermogen	W	380	400	420	420
Schaarbewegingen (onbelast)	$\text{min}^{-1}$	1.900	1.900	1.900	1.900
Meslengte	cm	42	42	50	55
Tandsteek	mm	16	16	16	16
Afremtijd van het mes	s	< 1,0	< 1,0	< 1,0	< 1,0
Gewicht (zonder snoer)	kg	2,2	2,2	2,3	2,4

Totale trillingswaarden (triaxale vectorsom) volgens EN 60745:  
Trillingsafgifte ( $a_w$ ) 1,9 m/s<sup>2</sup>, onzekerheid (K) 1,5 m/s<sup>2</sup>



**EG-conformiteitsverklaring**  
MACHINERICHTLIJN  
RICHTLIJN GELUID BUITENSHUIS



GT90/GT100/GT110/GT115

Black & Decker verklaart dat deze producten, zoals onder "technische gegevens" beschreven, overeenkomstig zijn met: 98/37/EG (tot 28 dec. 2009), 2006/42/EG (vanaf 29 dec. 2009), EN 60745-1, EN 60745-2-15

2000/14/EG, Heggenschaar, 1400 min<sup>-1</sup>, Bijlage V  
L<sub>WA</sub> (gemeten geluidsvermogen) 96,5 dB(A)  
L<sub>WA</sub> (gegarandeerd geluidsvermogen) 99 dB(A)

Deze producten zijn ook in overeenstemming met richtlijn 2004/108/EG. Neem voor meer informatie contact op met Black & Decker via het volgende adres of zie de achterzijde van de handleiding.

De ondergetekende is verantwoordelijk voor de samenstelling van de technische gegevens en geeft deze verklaring namens Black & Decker.

Kevin Hewitt  
Vice-President Global Engineering  
Black & Decker Europe, 210 Bath Road, Slough,  
Berkshire, SL1 3YD  
Verenigd Koninkrijk  
8-9-2009

**Garantie**

Black & Decker heeft vertrouwen in zijn producten en biedt een uitstekende garantie. Deze garantiebepalingen vormen een aanvulling op uw wettelijke rechten en beperken deze niet. De garantie geldt in de lidstaten van de Europese Unie en de Europese Vrijhandelsassociatie.

Mocht uw Black & Decker product binnen 24 maanden na datum van aankoop defect raken tengevolge van materiaal- of constructiefouten, dan garanderen wij de kosteloze vervanging van defecte onderdelen, de reparatie van het product of de vervanging van het product, tenzij:

- ◆ Het product is gebruikt voor handelsdoeleinden, professionele toepassingen of verhuurdoeleinden;
- ◆ Het product onoordeelkundig is gebruikt;
- ◆ Het product is beschadigd door invloeden van buitenaf of door een ongeval;
- ◆ Reparaties zijn uitgevoerd door anderen dan onze servicecentra of Black & Decker personeel.

Om een beroep op de garantie te doen, dient u een aankoopbewijs te overhandigen aan de verkoper of een van onze servicecentra. U kunt het adres van het dichtstbijzijnde servicecentrum opvragen via de adressen op de achterzijde van deze handleiding. U kunt ook een lijst van onze servicecentra en meer informatie m.b.t. onze klantenservice vinden op het volgende Internet-adres: **www.2helpU.com**

Meld u aan op onze website **www.blackanddecker.nl** om te worden geïnformeerd over nieuwe producten en speciale aanbiedingen. Verdere informatie over het merk Black & Decker en onze producten vindt u op **www.blackanddecker.nl**

## Finalidad

Su recortasetos Black & Decker ha sido diseñado para cortar setos, arbustos y zarzas. Esta herramienta está pensada únicamente para uso doméstico.

## Instrucciones de seguridad

### Advertencias de seguridad generales para herramientas eléctricas



**¡Atención! Lea todas las advertencias e instrucciones de seguridad.** En caso de no respetarse las advertencias e instrucciones indicadas a continuación, podría producirse una descarga eléctrica, incendio y/o lesión grave.

**Conserve todas las advertencias e instrucciones para su posterior consulta.** El término "herramienta eléctrica" empleado en las advertencias indicadas a continuación se refiere a la herramienta eléctrica con alimentación de red (con cable) o alimentada por pila (sin cable).

1. **Seguridad del área de trabajo**
  - a. **Mantenga limpia y bien iluminada el área de trabajo.** El desorden o una iluminación deficiente en las áreas de trabajo pueden provocar accidentes.
  - b. **No utilice la herramienta eléctrica en un entorno con peligro de explosión, en el que se encuentren combustibles líquidos, gases o material en polvo.** Las herramientas eléctricas producen chispas que pueden llegar a inflamar los materiales en polvo o vapores.
  - c. **Mantenga alejados a los niños y otras personas del área de trabajo al emplear la herramienta eléctrica.** Una distracción le puede hacer perder el control sobre la herramienta.
2. **Seguridad eléctrica**
  - a. **El enchufe de la herramienta eléctrica debe corresponder a la toma de corriente utilizada. No es admisible modificar el enchufe en forma alguna. No emplee adaptadores en herramientas eléctricas dotadas con una toma de tierra.** Los enchufes sin modificar adecuados a las respectivas tomas de corriente reducen el riesgo de una descarga eléctrica.
  - b. **Evite que su cuerpo toque partes conectadas a tierra como tuberías, radiadores, cocinas y refrigeradores.** El riesgo a quedar expuesto a una descarga eléctrica es mayor si su cuerpo tiene contacto con tierra.
  - c. **No exponga las herramientas eléctricas a la lluvia y evite que penetren líquidos en su interior.** Existe el peligro de recibir una descarga eléctrica si penetran ciertos líquidos en la herramienta eléctrica.
  - d. **Cuide el cable eléctrico. No utilice el cable eléctrico para transportar o colgar la herramienta eléctrica, ni tire de él para sacar el enchufe de la toma de corriente. Mantenga el cable eléctrico alejado del calor, aceite, bordes afilados o piezas móviles.** Los cables eléctricos dañados o enredados pueden provocar una descarga eléctrica.
  - e. **Al trabajar con la herramienta eléctrica en la intemperie utilice solamente cables alargadores homologados para su uso en exteriores.** La utilización de un cable alargador adecuado para su uso en exteriores reduce el riesgo de una descarga eléctrica.
  - f. **Si fuera inevitable la utilización de una herramienta eléctrica en un lugar húmedo, utilice un suministro protegido con un dispositivo de corriente residual (RCD).** La utilización de un dispositivo de corriente residual reduce el riesgo de descarga eléctrica.
3. **Seguridad personal**
  - a. **Esté atento a lo que hace y emplee la herramienta eléctrica con prudencia. No utilice la herramienta eléctrica si estuviese cansado, ni tampoco después de haber consumido alcohol, drogas o medicamentos.** El no estar atento durante el uso de una herramienta eléctrica puede provocarle serias lesiones.
  - b. **Utilice equipos de protección personal. Lleve siempre protección ocular.** Los equipos de protección tales como una mascarilla antipolvo, zapatos de seguridad con suela antideslizante, casco o protectores auditivos, utilizados en condiciones adecuadas, contribuyen a reducir las lesiones personales.
  - c. **Evite una puesta en marcha involuntaria. Asegúrese de que el interruptor esté en la posición de apagado antes de conectar a la fuente de alimentación o la batería, coger o transportar la herramienta.** Si se transportan herramientas eléctricas con el dedo sobre el interruptor o si se enchufan con el interruptor encendido puede dar lugar a accidentes.
  - d. **Retire las herramientas de ajuste o llaves fijas antes de conectar la herramienta eléctrica.** Una herramienta o llave colocada en una pieza giratoria de la herramienta eléctrica puede producir lesiones al ponerse a funcionar.
  - e. **Sea precavido. Evite adoptar una posición que fatigue su cuerpo; mantenga un apoyo firme sobre el suelo y conserve el equilibrio en todo momento.** Ello le permitirá controlar mejor la herramienta eléctrica en caso de presentarse una situación inesperada.
  - f. **Lleve puesta una vestimenta de trabajo adecuada. No lleve vestidos anchos ni joyas. Mantenga su pelo, vestimenta y guantes alejados de las piezas móviles.** La vestimenta suelta, las joyas y el pelo largo se pueden enganchar con las piezas en movimiento.

- g. **Siempre que sea posible utilizar unos equipos de aspiración o captación de polvo, asegúrese que éstos estén montados y que sean utilizados correctamente.**

El empleo de equipos de recogida de polvo reduce los riesgos derivados del polvo.

4. **Uso y cuidado de herramientas eléctricas**

- a. **No sobrecargue la herramienta eléctrica. Use la herramienta eléctrica prevista para el trabajo a realizar.** Con la herramienta eléctrica adecuada podrá trabajar mejor y más seguro dentro del margen de potencia indicado.
- b. **No utilice herramientas eléctricas con un interruptor defectuoso.** Las herramientas eléctricas que no se puedan conectar o desconectar son peligrosas y deben hacerse reparar.
- c. **Desconecte el enchufe de la fuente eléctrica y/o la batería de la herramienta eléctrica antes de realizar ajustes, cambiar accesorios o almacenar la herramienta eléctrica.** Esta medida preventiva reduce el riesgo de conectar accidentalmente la herramienta eléctrica.
- d. **Guarde las herramientas eléctricas fuera del alcance de los niños y de las personas que no estén familiarizadas con su uso.** Las herramientas eléctricas utilizadas por personas inexpertas son peligrosas.
- e. **Cuide sus herramientas eléctricas con esmero. Controle si funcionan correctamente, sin atascarse, las partes móviles de la herramienta eléctrica, y si existen partes rotas o deterioradas que pudieran afectar al funcionamiento de la herramienta. Si la herramienta eléctrica estuviese defectuosa haga que la reparen antes de volver a utilizarla.** Muchos accidentes se deben a herramientas eléctricas con un mantenimiento deficiente.
- f. **Mantenga las herramientas de corte limpias y afiladas.** Las herramientas de corte mantenidas correctamente se dejan guiar y controlar mejor.
- g. **Utilice la herramienta eléctrica, los accesorios y las puntas de la herramienta, etc. de acuerdo a estas instrucciones, teniendo en cuenta las condiciones de trabajo y la tarea a realizar.** El uso de herramientas eléctricas para trabajos diferentes de aquellos para los que han sido concebidas puede resultar peligroso.

5. **Servicio técnico**

- a. **Haga reparar su herramienta eléctrica sólo por personal técnico autorizado que emplee exclusivamente piezas de repuesto originales.** Solamente así se garantiza la seguridad de la herramienta eléctrica.

**Advertencias de seguridad adicionales para herramientas eléctricas**



¡Atención! Advertencias de seguridad adicionales para recortasetos

- ◆ **Mantenga todas las partes del cuerpo alejadas de la cuchilla. No quite el material cortado ni sujete el material que va a cortar cuando las cuchillas se estén moviendo. Asegúrese de que el interruptor esté apagado cuando quite el material atascado.** El no estar atento durante el uso de una herramienta eléctrica puede provocarle serias lesiones.
- ◆ **Transporte el recortasetos por el mango con la cuchilla parada. Cuando transporte o almacene el recortasetos instale siempre la tapa del dispositivo de corte.** La manipulación adecuada del recortasetos reducirá posibles lesiones personales debidas a las cuchillas.
- ◆ **Mantenga el cable alejado de la zona de corte.** Durante el funcionamiento, el cable puede quedar oculto entre los arbustos y cortarse accidentalmente.
- ◆ Esta herramienta no está destinada para ser utilizada por personas (niños incluidos) con capacidades físicas, sensoriales o mentales reducidas, o que carezcan de experiencia y conocimiento, a menos que reciban supervisión o instrucción respecto al uso de la misma por una persona responsable de su seguridad. Debe vigilarse a los niños para asegurarse de que no jueguen con el aparato.
- ◆ En este manual de instrucciones se explica el uso previsto. El uso de otros accesorios, adaptadores, o la propia utilización de la herramienta en cualquier forma diferente de las recomendadas en este manual de instrucciones puede constituir un riesgo de lesiones a las personas y/o daños materiales.
- ◆ No coloque sus manos sobre el interruptor del mango delantero o sobre el gatillo de la herramienta mientras la transporta, a menos que previamente haya extraído la batería.
- ◆ Si nunca ha usado un recortasetos, es preferible que solicite el consejo de algún usuario con experiencia, además de leer con atención este manual.
- ◆ Nunca toque las cuchillas mientras la herramienta esté funcionando.
- ◆ Nunca intente forzar las cuchillas para que se paren.
- ◆ No suelte la herramienta hasta que las cuchillas estén totalmente paradas.
- ◆ Revise con regularidad las cuchillas por si estuvieran dañadas o desgastadas. No use la herramienta si las cuchillas están dañadas.
- ◆ Procure evitar los objetos duros (p. ej. alambres, rejas) cuando esté recortando. En caso de tocar accidentalmente algún objeto de ese tipo, desconecte inmediatamente la herramienta y compruebe si está dañada.

- ◆ Si la herramienta empieza a vibrar de un modo anormal, desconéctela inmediatamente y compruebe si está dañada.
- ◆ Si la herramienta se atasca, desconéctela inmediatamente. Antes de intentar retirar cualquier elemento obstructor, extraiga la batería.
- ◆ Después de usar la herramienta, cubra las cuchillas con la funda incluida. Guarde la herramienta, asegurándose de que la cuchilla no quede expuesta.
- ◆ Siempre que utilice la herramienta asegúrese de que todas las protecciones están ajustadas. Nunca intente utilizar una herramienta incompleta o con modificaciones no autorizadas.
- ◆ No permita que los niños utilicen la herramienta, bajo ningún concepto.
- ◆ Preste atención a los restos que caigan cuando esté cortando los lados más altos del seto.
- ◆ Sujete siempre la herramienta con las dos manos y por los mangos provistos.

## Seguridad de otras personas

- ◆ Este aparato no está destinado para ser utilizado por personas (niños incluidos) con capacidades físicas, sensoriales o mentales reducidas, o que carezcan de experiencia y conocimiento, a menos que reciban supervisión o instrucción respecto al uso del aparato por una persona responsable de su seguridad.
- ◆ Debe vigilarse a los niños para asegurarse de que no jueguen con el aparato.

## Vibración

Los valores declarados de emisión de vibración indicados en los datos técnicos y la declaración de conformidad se han medido de acuerdo a un método de prueba estándar contemplado por la EN 60745 y puede utilizarse para comparar una herramienta con otra. El valor declarado de emisión de vibración también puede utilizarse en una evaluación preliminar de exposición.

**¡Atención!** El valor de emisión de vibración durante el uso real de la herramienta eléctrica puede variar del valor declarado en función del modo de utilización de la herramienta. El nivel de vibración puede aumentar por encima del valor indicado.

Cuando se evalúe la exposición a la vibración con el fin de determinar las medidas de seguridad exigidas por la 2002/44/CE para proteger a las personas que utilizan herramientas eléctricas en su empleo con regularidad, una estimación de la exposición a la vibración debe considerar las condiciones reales de uso y la forma en que se utiliza la herramienta, teniendo en cuenta incluso todas las partes del ciclo de trabajo como los momentos en que la herramienta se apaga y cuando está conectada sin funcionar además del tiempo de accionamiento.

## Etiquetas sobre la herramienta

En la herramienta se indican los siguientes pictogramas:



**¡Atención!** Para reducir el riesgo de lesiones, el usuario debe leer el manual de instrucciones.



Lleve siempre gafas protectoras y protectores para los oídos.



Lleve guantes cuando utilice esta herramienta.



Desconecte inmediatamente el cable del suministro eléctrico si está dañado o cortado.



No exponga la herramienta a lluvia o humedad elevada.

## Seguridad eléctrica



La herramienta lleva un doble aislamiento; por lo tanto no requiere una toma a tierra. Compruebe siempre que el suministro eléctrico corresponda con la tensión indicada en la placa de datos.

- ◆ Si el cable eléctrico está estropeado, debe ser sustituido por el fabricante o un servicio técnico autorizado de Black & Decker con el fin de evitar accidentes.

## Utilización de un cable alargador

Utilice siempre cables alargadores homologados, apropiados para el consumo de corriente de esta herramienta (consulte los datos técnicos). El cable alargador debe ser adecuado para uso en exteriores y estar marcado en consonancia. Puede utilizarse un cable alargador HO5V V-F de 1,5 mm<sup>2</sup> de hasta 30 m. sin pérdida de rendimiento. Antes de utilizar el aparato, revise el cable alargador para ver si presenta indicios de daños, envejecimiento o desgaste. Sustituya el cable alargador si estuviera dañado o defectuoso. Si utiliza una bobina de cable, desenrolle siempre el cable completamente.

## Características

Esta herramienta incluye alguna o todas las características siguientes.

1. Interruptor de gatillo
2. Interruptor del mango delantero
3. Mango delantero
4. Protección
5. Cuchilla
6. Funda de cuchilla
7. Sujeción del cable

Para su beneficio, este recortasetos incorpora las características siguientes:

- ◆ Mango con forma ergonómica para un corte cómodo.
- ◆ Cuchillas mecanizadas para un mejor corte.
- ◆ Cuchillas de doble acción para reducir vibraciones.

## Montaje

**¡Atención!** Antes del montaje, asegúrese de que la herramienta esté desconectada y desenchufada y de que la funda de la cuchilla esté instalada sobre éstas.

### Montaje de la protección (fig. A)

- ◆ Introduzca la protección (4) en el soporte de montaje (8).
- ◆ Introduzca la protección en el soporte hasta que encaje en su posición.

**¡Atención!** Nunca use la herramienta sin la protección.

### Conexión de la herramienta al suministro eléctrico (fig. B)

A menos que la herramienta disponga de un cable de suministro eléctrico, será necesario disponer de un cable alargador para conectarla a la toma de corriente.

- ◆ Conecte el enchufe hembra de un cable alargador adecuado a la entrada de corriente de la herramienta.
- ◆ Enlace el cable a través del limitador (7) como se indica para evitar que se suelte el alargador durante su empleo.
- ◆ Inserte el enchufe eléctrico en una toma de red.

**¡Atención!** El cable alargador debe ser adecuado para uso en exteriores. Si utiliza una bobina de cable, desenrolle siempre el cable completamente.

## Uso

**¡Atención!** Deje que la herramienta funcione a su ritmo. No lo sobrecargue.

- ◆ Guíe con cuidado el cable para evitar que se corte de manera accidental. Una buena forma de controlar el cable es colocarlo sobre el hombro.
- ◆ Para su seguridad, esta herramienta viene equipada con un sistema de doble interruptor. Este sistema evita que la herramienta se ponga en marcha accidentalmente y permite que funcione únicamente cuando se sujeta con las dos manos.

## Encendido y apagado

### Encendido

- ◆ Sujete el mango delantero (3) con una mano de forma que el interruptor del mango delantero (2) se empuje hacia el cuerpo de la herramienta.
- ◆ Con la otra mano, apriete el interruptor de gatillo (1) para arrancar la herramienta.

### Apagado

- ◆ Suelte el interruptor del mango (2) o el interruptor de gatillo (1).

**¡Atención!** No intente nunca bloquear el interruptor en la posición de encendido.

### Consejos para un uso óptimo

- ◆ Comience recortando la parte superior del seto. Incline un poco la herramienta (unos 15° en relación con la línea de corte) de forma que las puntas de las cuchillas apunten ligeramente hacia el seto (fig. C1). Esto hará que las cuchillas corten con mayor efectividad. Sujete la herramienta en el ángulo deseado y muévela con firmeza a lo largo de la línea de corte. La cuchilla de doble filo le permite cortar en cualquier dirección.
- ◆ Para lograr un corte muy recto, coloque un cordel a lo largo del seto a la altura deseada. Use el cordel como guía, cortando justo por encima del mismo.
- ◆ Para lograr unos lados lisos, corte hacia arriba en el sentido del crecimiento. Los tallos más jóvenes se mueven hacia fuera cuando la cuchilla corta hacia abajo, ocasionando parches superficiales en el seto (fig. C2).
- ◆ Evite los objetos extraños. En particular, evite los objetos duros como el alambre y las rejas ya que se pueden dañar las cuchillas.
- ◆ Engrase periódicamente las cuchillas.

### Cuando igualar el seto

- ◆ Como regla general, los setos y arbustos de hoja caduca (que sale todos los años) se deben igualar en junio y en octubre.
- ◆ Los setos de hoja perenne se deben igualar en abril y en agosto.
- ◆ Las coníferas y otros arbustos de crecimiento rápido se deben igualar cada 6 semanas aproximadamente, a partir de mayo.

## Mantenimiento

El aparato/la herramienta Black & Decker con cable/sin cable se ha diseñado para funcionar durante un largo periodo de tiempo con un mantenimiento mínimo. El funcionamiento satisfactorio continuado depende de un cuidado apropiado y una limpieza periódica de la herramienta.

**¡Atención!** Antes de realizar tareas de mantenimiento en herramientas eléctricas con/sin cable:

- ◆ Apague y desenchufe el aparato/la herramienta.
- ◆ O apague y retire la batería del aparato/la herramienta si el aparato/la herramienta tiene una batería aparte.
- ◆ O agote totalmente la batería si está integrada y, a continuación, apague.

- ◆ Desenchufe el cargador antes de limpiarlo. Su cargador no requiere ningún mantenimiento aparte de una limpieza periódica.
- ◆ Limpie periódicamente las ranuras de ventilación del aparato/la herramienta/el cargador con un cepillo suave o un paño seco.
- ◆ Limpie periódicamente la carcasa del motor con un paño húmedo. No utilice ninguna sustancia limpiadora abrasiva o que contenga disolventes.
- ◆ Abra periódicamente el portabrocas y golpéelo suavemente para extraer el polvo del interior (si está equipado).

## Retirada de la protección (fig. A)

¡Atención! Retire la protección únicamente con fines de mantenimiento o reparación. Siempre coloque de nuevo la protección tras cualquier operación de mantenimiento o reparación.

- ◆ Introduzca pasadores pequeños en los orificios (9) en cada lado del soporte (8) y tire de la protección (4) hacia delante.
- ◆ Retire los pasadores y saque la protección de la herramienta.

## Solución de problemas

Si la herramienta no funciona correctamente, compruebe lo siguiente:

Avería	Causa posible	Acción
La herramienta no se pone en marcha.	Fusible fundido. RCD desconectado Cable eléctrico no conectado.	Cambie el fusible. Compruebe RCD. Compruebe el suministro eléctrico.

## Protección del medio ambiente



Separación de desechos. Este producto no debe desecharse con la basura doméstica normal.

Si llega el momento de reemplazar su producto Black & Decker o éste ha dejado de tener utilidad para usted, no lo deseche con la basura doméstica normal. Asegúrese de que este producto se deseche por separado.



La separación de desechos de productos usados y embalajes permite que los materiales puedan reciclarse y reutilizarse. La reutilización de materiales reciclados ayuda a evitar la contaminación medioambiental y reduce la demanda de materias primas.

La normativa local puede prever la separación de desechos de productos eléctricos de uso doméstico en centros municipales de recogida de desechos o a través del distribuidor cuando adquiere un nuevo producto.

Black & Decker proporciona facilidades para la recogida y el reciclado de los productos Black & Decker que hayan llegado al final de su vida útil. Para hacer uso de este servicio, devuelva su producto a cualquier servicio técnico autorizado, que lo recogerá en nuestro nombre.

Pueden consultar la dirección de su servicio técnico más cercano poniéndose en contacto con la oficina local de Black & Decker en la dirección que se indica en este manual. Como alternativa, puede consultar en Internet la lista de servicios técnicos autorizados e información completa de nuestros servicios de posventa y contactos en la siguiente dirección: [www.2helpU.com](http://www.2helpU.com)

## Características técnicas

		GT90	GT100	GT110	GT115
		TYPE 3	TYPE 3	TYPE 3	TYPE 3
Voltaje	$V_{AC}$	230	230	230	230
Potencia absorbida	W	380	400	420	420
Cortes de la cuchilla					
(sin carga)	$\text{min}^{-1}$	1.900	1.900	1.900	1.900
Longitud de la cuchilla	cm	42	42	50	55
Separación de la cuchilla	mm	16	16	16	16
Tiempo de frenado de la cuchilla					
	s	< 1,0	< 1,0	< 1,0	< 1,0
Peso					
(sin incluir cable eléctrico)	kg	2,2	2,2	2,3	2,4

Valores totales de vibración (suma de vector triaxial) según EN 60745:

Valor de emisión de vibración ( $a_h$ ) 1,9  $\text{m/s}^2$ ,  
incertidumbre (K) 1,5  $\text{m/s}^2$

**Declaración de conformidad CE**

DIRECTIVA SOBRE MÁQUINAS  
DIRECTIVA SOBRE EMISIONES SONORAS EN EL ENTORNO



GT90/GT100/GT110/GT115

Black & Decker declara que los productos descritos en "datos técnicos" son conformes con:  
98/37/CE (hasta el 28 de diciembre de 2009), 2006/42/CE (a partir del 29 de diciembre de 2009), EN 60745-1, EN 60745-2-15

2000/14/CE, Recortasetos, 1400 min<sup>-1</sup>, Anexo V  
L<sub>WA</sub> (potencia acústica medida) 96,5 dB(A)  
L<sub>WA</sub> (potencia acústica garantizada) 99 dB(A)

Estos productos también son conformes con la directiva 2004/108/CE. Si desea información adicional, contacte con Black & Decker en la siguiente dirección o consulte el dorso de este manual.

El abajofirmante es responsable de la compilación del archivo técnico y hace esta declaración en nombre de Black & Decker.

Kevin Hewitt  
Vice-President Global Engineering  
Black & Decker Europe, 210 Bath Road, Slough,  
Berkshire, SL1 3YD  
Reino Unido  
8-9-2009

- ◆ El producto haya sido sometido a un uso inadecuado o negligente;
- ◆ El producto haya sufrido daños causados por objetos o sustancias extrañas o accidentes;
- ◆ Se hayan realizado reparaciones por parte de personas que no sean los servicios de reparación autorizados o personal de servicios de Black & Decker.

Para reclamar en garantía, será necesario que presente la prueba de compra al vendedor o al servicio técnico de reparaciones autorizado. Pueden consultar la dirección de su servicio técnico más cercano poniéndose en contacto con la oficina local de Black & Decker en la dirección que se indica en este manual. Como alternativa, se puede consultar en Internet, en la dirección siguiente, la lista de servicios técnicos autorizados e información completa de nuestros servicios de postventa y contactos: **www.2helpU.com**

Visite nuestro sitio web **www.blackanddecker.eu** para registrar su nuevo producto Black & Decker y mantenerse al día sobre nuestros productos y ofertas especiales. Encontrará información adicional sobre la marca Black & Decker y nuestra gama de productos en **www.blackanddecker.eu**

**Garantía**

Black & Decker confía plenamente en la calidad de sus productos y ofrece una garantía extraordinaria. Esta declaración de garantía es una añadido, y en ningún caso un perjuicio para sus derechos estatutarios. La garantía es válida dentro de los territorios de los Estados Miembros de la Unión Europea y de los de la Zona Europea de Libre Comercio.

Si un producto Black & Decker resultará defectuoso debido a materiales o mano de obra defectuosos o a la falta de conformidad, Black & Decker garantiza, dentro de los 24 meses de la fecha de compra, la sustitución de las piezas defectuosas, la reparación de los productos sujetos a un desgaste y rotura razonables o la sustitución de tales productos para garantizar al cliente el mínimo de inconvenientes, a menos que:

- ◆ El producto haya sido utilizado con propósitos comerciales, profesionales o de alquiler;



## Utilização

O seu corta-sebes Black & Decker foi concebido para cortar sebes, arbustos e ramagens. Esta ferramenta destina-se apenas ao doméstico.

## Instruções de segurança

### Avisos de segurança gerais para ferramentas eléctricas



**Advertência! Leia todos os avisos de segurança e instruções.** O não cumprimento dos avisos e instruções a seguir pode resultar em choque eléctrico, incêndio e/ou graves lesões.

### Guarde todos os avisos e instruções para futura referência.

O termo "ferramenta eléctrica", utilizado nas advertências que se seguem, refere-se a ferramentas eléctricas com ligação à corrente eléctrica (com fios) ou operadas a pilha (sem fios).

#### 1. Segurança na área de trabalho

- a. **Mantenha a sua área de trabalho limpa e bem iluminada.** Desordem ou áreas de trabalho com fraca iluminação podem causar acidentes.
- b. **Não utilize ferramentas eléctricas em áreas com risco de explosão, nas quais se encontrem líquidos, gases ou pós inflamáveis.** As ferramentas eléctricas produzem faíscas que podem provocar a ignição de pó e vapores.
- c. **Mantenha crianças e outras pessoas afastadas durante a utilização de ferramentas eléctricas.** As distrações podem dar origem a que perca o controlo da ferramenta.

#### 2. Segurança eléctrica

- a. **A ficha da ferramenta eléctrica deve caber na tomada. A ficha não deve ser modificada de modo algum. Não utilize quaisquer fichas de adaptação com ferramentas eléctricas ligadas à terra.** Fichas inalteradas e tomadas adequadas reduzem o risco de choques eléctricos.
- b. **Evite que o corpo entre em contacto com superfícies ligadas à terra, como por exemplo tubos, radiadores, fogões e frigoríficos.** Há um risco elevado de choques eléctricos, caso o corpo seja ligado à terra.
- c. **As ferramentas eléctricas não devem ser expostas à chuva nem a humidade.** A penetração de água numa ferramenta eléctrica aumenta o risco de choques eléctricos.
- d. **Manuseie o cabo com cuidado. O cabo da ferramenta não deve ser utilizado para o transporte, para puxar a ferramenta, nem para retirar a ficha da tomada. Mantenha o cabo afastado de calor, óleo, cantos afiados ou peças em movimento.** Cabos danificados ou torcidos aumentam o risco de choques eléctricos.

- e. **Ao trabalhar com a ferramenta eléctrica ao ar livre, use um cabo de extensão apropriado para utilização no exterior.** O uso de um cabo apropriado para utilização no exterior reduz o risco de choques eléctricos.
- f. **Quando a utilização de uma ferramenta eléctrica num local húmido é inevitável, utilize uma fonte de alimentação protegida com um dispositivo de corrente residual (RCD).** A utilização de um RCD reduz o risco de choques eléctricos.

#### 3. Segurança pessoal

- a. **Mantenha-se atento, observe o que está a fazer e seja prudente durante a utilização de uma ferramenta eléctrica. Não use a ferramenta eléctrica se estiver cansado ou sob a influência de drogas, álcool ou medicamentos.** Um momento de falta de atenção durante a utilização de ferramentas eléctricas pode causar graves lesões.
- b. **Use equipamento de protecção pessoal. Utilize sempre óculos de protecção.** A utilização de equipamento de protecção pessoal, como por exemplo, máscara de protecção contra pó, sapatos de segurança anti-derrapantes, capacete de segurança ou protecção auricular, de acordo com o tipo e aplicação da ferramenta eléctrica, reduz o risco de lesões.
- c. **Evite o accionamento involuntário. Certifique-se de que o interruptor está na posição desligada antes de ligar a ferramenta à corrente eléctrica ou a uma bateria, antes de elevar ou transportar a mesma.** O transporte de ferramentas eléctricas com o dedo no interruptor ou a ligação das mesmas à corrente eléctrica com o interruptor ligado provoca acidentes.
- d. **Retire eventuais chaves de ajuste ou chaves de fenda, antes de ligar a ferramenta eléctrica.** Uma chave de fenda ou chave de ajuste, que se encontre numa peça móvel da ferramenta, pode dar origem a lesões.
- e. **Não se incline. Mantenha-se sempre bem posicionado e em equilíbrio.** Desta forma, poderá ser mais fácil controlar a ferramenta em situações inesperadas.
- f. **Utilize vestuário adequado. Não utilize roupas largas nem jóias. Mantenha o cabelo, roupa e luvas afastados de peças em movimento.** Roupas largas, jóias ou cabelos longos podem ser ficar presos nas peças em movimento.
- g. **Se for prevista a montagem de dispositivos de extracção e recolha de pó, assegure-se de que estão ligados e que são utilizados de forma correcta.** A utilização destes dispositivos reduz os riscos provocados por pó.

#### 4. Utilização e manutenção da ferramenta eléctrica

- a. **Não sobrecarregue a ferramenta eléctrica. Utilize a ferramenta eléctrica correcta para o trabalho que irá realizar.** A ferramenta correcta realizará o trabalho de forma melhor e mais segura dentro da potência indicada.



- b. **Não utilize a ferramenta eléctrica se o interruptor não puder ser ligado nem desligado.** Qualquer ferramenta eléctrica que não possa ser controlada através do interruptor é perigosa e deve ser reparada.
  - c. **Desligue a ficha da tomada e/ou a bateria da ferramenta eléctrica antes de efectuar quaisquer ajustes, substituir acessórios ou armazenar a ferramenta eléctrica.** Esta medida de segurança evita que a ferramenta eléctrica seja ligada acidentalmente.
  - d. **Mantenha as ferramentas eléctricas que não estiverem a ser utilizadas fora do alcance de crianças. Não permita que a ferramenta seja utilizada por pessoas não familiarizadas com a mesma ou que não tenham lido estas instruções.** As ferramentas eléctricas são perigosas se utilizadas por pessoas não qualificadas.
  - e. **Efectue a manutenção das ferramentas eléctricas. Verifique se as peças móveis funcionam perfeitamente e não emperram, bem como se há peças quebradas ou danificadas que possam influenciar o funcionamento da ferramenta. Em caso de danos, solicite a reparação da ferramenta eléctrica antes da sua utilização.** Muitos acidentes têm como causa uma manutenção insuficiente das ferramentas eléctricas.
  - f. **Mantenha as ferramentas de corte sempre afiadas e limpas.** As ferramentas de corte, sujeitas a uma manutenção adequada e com extremidades de corte afiadas, emperram com menos frequência e podem ser controladas com maior facilidade.
  - g. **Utilize a ferramenta eléctrica, os acessórios e as brocas da ferramenta etc., de acordo com estas instruções. Considere também as condições de trabalho e o trabalho a ser efectuado.** A utilização da ferramenta eléctrica para outros fins que não os previstos pode resultar em situações perigosas.
5. **Reparação**
- a. **A sua ferramenta eléctrica só deve ser reparada por pessoal qualificado e só devem ser colocadas peças sobressalentes originais.** Desta forma, é assegurada a segurança da ferramenta eléctrica.

### Avisos de segurança adicionais para ferramentas eléctricas



**Advertência!** Avisos adicionais de segurança para corta-sebes

- ◆ **Mantenha todas as partes do corpo afastadas da lâmina de corte. Não retire material cortado nem segure no material a cortar enquanto as lâminas estiverem em movimento. Assegure-se de que o interruptor está desligado antes de proceder à remoção de material encravado.** Um momento de falta de atenção durante a utilização de ferramentas eléctricas pode causar graves lesões.
  - ◆ **Transporte o corta-sebes pela punho com a lâmina de corte parada. Para transportar ou armazenar o corta-sebes, coloque sempre a tampa do dispositivo de corte.** Um manuseamento correcto do corta-sebes irá reduzir possíveis ferimentos pessoais causados pelas lâminas de corte.
  - ◆ **Mantenha o cabo afastado da área de corte.** Durante o funcionamento, o cabo poderá ficar coberto por arbustos, podendo ser acidentalmente cortado.
  - ◆ Esta ferramenta não se destina a ser utilizada por pessoas (incluindo crianças) com reduzidas capacidades físicas, sensoriais ou mentais ou falta de experiência e conhecimentos, a menos que tenham recebido instruções ou sejam supervisionadas relativamente à utilização do aparelho por uma pessoa responsável pela sua segurança. As crianças deverão ser vigiadas para que não mexam no aparelho.
  - ◆ Neste manual indicam-se as aplicações do aparelho. O uso de qualquer acessório ou da própria ferramenta para realizar quaisquer operações além das recomendadas neste manual de instruções pode dar origem a ferimentos e/ou danos em propriedade.
  - ◆ Não carregue a ferramenta com as mãos no interruptor da frente do punho ou no gatilho a menos que a bateria tenha sido removida.
  - ◆ Se não utilizou um corta-sebes anteriormente, é preferível que peça instruções sobre a utilização a um utilizador experimentado além de estudar este manual.
  - ◆ Nunca toque nas lâminas enquanto a ferramenta estiver a funcionar.
  - ◆ Nunca tente forçar a paragem das lâminas.
  - ◆ Não largue a ferramenta enquanto as lâminas não estiverem completamente paradas.
  - ◆ Verifique regularmente se as lâminas estão danificadas ou desgastadas. Não utilize a ferramenta quando as lâminas estiverem danificadas.
  - ◆ Tome cuidado para evitar objectos duros (ex. cabo de metal, grades) enquanto estiver a cortar. Se atingir acidentalmente tais objectos, desligue imediatamente a ferramenta e verifique se há algum dano.
  - ◆ Se a ferramenta começar a vibrar de maneira anormal, desligue-a imediatamente e verifique se há algum dano.
  - ◆ Se a ferramenta parar, desligue-a imediatamente.
- Remova a bateria antes de tentar remover qualquer obstrução.

- ◆ Após o uso, coloque o estojo da lâmina fornecido sobre as lâminas. Ao guardar a ferramenta, certifique-se de que a lâmina não fica exposta.
- ◆ Assegure-se sempre de que todos os resguardos estão encaixados antes de utilizar a ferramenta. Nunca tente utilizar ferramentas incompletas ou que contenham modificações não autorizadas.
- ◆ Não deixe que as crianças utilizem a ferramenta.
- ◆ Tenha em atenção a queda de detritos aquando do corte de sebes grandes.
- ◆ Segure a ferramenta sempre com as duas mãos e pelos punhos fornecidos.

## Segurança de outras pessoas

- ◆ Este aparelho não se destina a ser utilizado por pessoas (incluindo crianças) com reduzidas capacidades físicas, sensoriais ou mentais ou falta de experiência e conhecimentos, a menos que tenham recebido instruções ou sejam supervisionadas relativamente à utilização do aparelho por uma pessoa responsável pela sua segurança.
- ◆ As crianças deverão ser vigiadas para que não brinquem no aparelho.

## Vibração

Os valores de emissão de vibrações declarados, indicados nos dados técnicos e na declaração de conformidade, foram medidos de acordo com um método de teste padrão providenciado por EN 60745 e podem ser utilizados para efectuar a comparação entre ferramentas. O valor de emissão de vibrações declarado pode também ser utilizado numa avaliação preliminar da exposição.

**Advertência!** O valor de emissão de vibrações durante a utilização da ferramenta eléctrica pode divergir do valor declarado, dependendo do modo como a ferramenta é utilizada. O nível de vibrações pode aumentar relativamente ao nível indicado.

Durante a avaliação da exposição a fim de determinar as medidas de segurança requeridas pela directiva 2002/44/CE para a protecção de pessoas que utilizam regularmente ferramentas eléctricas nas respectivas profissões, o cálculo da exposição a vibrações deve considerar as condições reais de utilização e a forma como a ferramenta é utilizada, incluindo a consideração de todas as partes do ciclo de utilização como, por exemplo, as vezes que a ferramenta é desligada e o tempo em que se encontra a funcionar sem carga para além do tempo de accionamento.

## Etiquetas da ferramenta

Aparecem os seguintes pictogramas na ferramenta:



**Advertência!** Para reduzir o risco de ferimentos, o utilizador deve ler o manual de instruções.



Use sempre óculos de segurança e protecção dos ouvidos.



Utilize luvas.



Desligue imediatamente o cabo da tomada, se o mesmo estiver danificado ou cortado.



Não exponha a ferramenta à chuva e humidade excessiva.

## Segurança eléctrica



Esta ferramenta está duplamente isolada, pelo que não necessita de fio de terra. Certifique-se sempre de que o fornecimento de energia corresponde à tensão indicada na placa de identificação.

- ◆ Se o cabo de alimentação estiver danificado, deverá ser substituído pelo fabricante ou por um Centro de Assistência autorizado pela Black & Decker, de modo a evitar perigos.

## Utilização de extensões

Utilize sempre um cabo de extensão aprovado e adequado à potência de entrada desta ferramenta (consulte os dados técnicos). O cabo de extensão deve ser adequado para uso em ambientes externos e deve estar correctamente assinalado. Até 30 m, pode ser utilizado um cabo de extensão HQ5V V-F de 1,5 mm<sup>2</sup> sem afectar o desempenho do produto. Antes de utilizar, verifique se há sinais de danos, envelhecimento e desgaste no cabo de extensão. Substitua-o se estiver danificado ou apresentar defeitos. Caso utilize uma bobina, desenrole o cabo todo.

## Características

Esta ferramenta inclui algumas ou todas as seguintes características.

1. Gatilho
2. Interruptor do punho frontal
3. Punho frontal
4. Resguardo
5. Lâmina
6. Estojo das lâminas
7. Retentor do cabo

Este corta-sebes tem as seguintes funções:

- ◆ Punhos ergonómicos para um corte confortável.
- ◆ Lâminas maquinadas para um corte aperfeiçoado.
- ◆ Lâminas de dupla acção para uma vibração reduzida.

## Montagem

**Advertência!** Antes da montagem, certifique-se de que a ferramenta está desligada e desconectada da rede eléctrica e de que o estojo da lâmina está colocado sobre as lâminas.

## Instalação do resguardo (fig. A)

- ◆ Coloque o resguardo de protecção (4) no suporte de montagem (8).
- ◆ Empurre o resguardo de protecção em direcção ao suporte até encaixar.

**Advertência!** Nunca utilize a ferramenta sem o resguardo.

## Ligação da ferramenta à rede eléctrica (fig. B)

A menos que a ferramenta disponha de um cabo para ligação eléctrica, será preciso utilizar um cabo de extensão para ligá-la à tomada.

- ◆ Ligue a ficha fêmea de uma extensão eléctrica adequada à tomada de alimentação da ferramenta.
- ◆ Enrole o cabo no retentor (7) conforme mostrado para evitar que o cabo de extensão se solte durante o uso.
- ◆ Ligue a ficha à tomada de parede.

**Advertência!** O cabo de extensão deve ser adequado para uso em ambientes externos. Caso utilize uma bobina, desenrole o cabo todo.

## Utilização

**Advertência!** Deixe que a ferramenta funcione à vontade. Não o sobrecarregue.

- ◆ Guie o cabo cuidadosamente para evitar cortá-lo acidentalmente. Uma boa maneira de controlar o cabo consiste em colocá-lo sobre os ombros.
- ◆ Para sua segurança, esta ferramenta está equipada com um sistema de comutação duplo. Este sistema evita que a ferramenta entre em funcionamento inadvertidamente e apenas permitirá o seu funcionamento quando a ferramenta estiver segura com as duas mãos.

## Como ligar e desligar a ferramenta

### Activação

- ◆ Segure punho frontal (3) com uma mão de modo a que o interruptor do punho frontal (2) seja empurrado em direcção ao corpo da ferramenta.
- ◆ Com a outra mão, prima o gatilho (1) para ligar a ferramenta.

### Desactivação

- ◆ Solte o interruptor do punho (2) ou o gatilho (1).

**Advertência!** Nunca tente bloquear o interruptor na posição de ligado.

## Sugestões para uma melhor utilização

- ◆ Comece por cortar o topo da sebe. Incline ligeiramente a ferramenta (até 15° relativamente à linha de corte) de maneira que a lâmina se incline ligeiramente em direcção à sebe (fig. C1). Isto fará com que as lâminas cortem mais eficazmente. Segure a ferramenta no ângulo desejado e mova-a firmemente junto à linha de corte. A lâmina de dois lados permite o corte em qualquer direcção.
- ◆ De modo a obter um corte bem recto, estique um pedaço de cordão ao longo do comprimento da sebe na altura desejada. Utilize o cordão como linha de direcção, cortando logo acima dele.
- ◆ De modo a obter lados planos, corte para cima com o crescimento. Os troncos jovens afastam-se quando a lâmina corta para baixo, causando partes rasas na sebe (fig. C2).
- ◆ Tome cuidado para evitar qualquer objecto estranho. Evite especialmente objectos duros tais como cabos de metal e grades, uma vez que estes podem danificar as lâminas.
- ◆ Lubrifique regularmente as lâminas.

## Quando cortar

- ◆ Como guia geral, sebes e arbustos com folhas sazonais (novas todos os anos) podem ser aparadas em Junho e Outubro.
- ◆ As sebes de folha permanente podem ser aparadas em Abril e Agosto.
- ◆ As sebes de crescimento rápido podem ser acertadas de seis em seis semanas, a partir do mês de Maio.

## Manutenção

O aparelho/ferramenta com fios/sem fios da Black & Decker foi desenvolvido/a para funcionar por um longo período de tempo com um mínimo de manutenção. O funcionamento contínuo e satisfatório depende de limpeza regular e de manutenção adequada.

**Advertência!** Antes de realizar qualquer tipo de manutenção em ferramentas eléctricas com fios/sem fios:

- ◆ Desligue o aparelho/ferramenta e retire a ficha da tomada.
- ◆ Ou desligue e retire a bateria do aparelho/ferramenta, caso esta seja fornecida separadamente.
- ◆ Ou descarregue a bateria por completo, caso seja integrada e depois desligue o aparelho/ferramenta.
- ◆ Desligue a ficha do carregador antes de o limpar. O seu carregador não requer qualquer manutenção para além de uma limpeza regular.
- ◆ Limpe regularmente as fendas de ventilação na ferramenta/aparelho/carregador utilizando uma escova macia ou pano seco.

- ◆ Limpe regularmente o compartimento do motor utilizando um pano húmido. Não utilize nenhum detergente abrasivo nem à base de solvente.
- ◆ Abra regularmente o mandril e bata no mesmo para remover qualquer poeira do interior (se equipado).

## Remoção do resguardo de protecção (fig. A)

**Advertência!** Retire o resguardo apenas para assistência técnica. Nunca se esqueça de voltar a colocar o resguardo no final da assistência técnica.

- ◆ Introduza pequenos pinos nos orifícios (9) em qualquer dos lados do suporte (8) e empurre o resguardo (4) para a frente.
- ◆ Retire os pinos e retire o resguardo da ferramenta.

## Resolução de problemas

Se a ferramenta não funcionar correctamente, verifique o seguinte.

Falha	Possível causa	Solução
A ferramenta não funciona.	Fusível queimado. Falha no dispositivo de corrente residual (RCD). A corrente não está ligada.	Substitua o fusível. Verifique este dispositivo. Verifique a fonte de alimentação.

## Protecção do meio ambiente



Recolha em separado. Não deve deitar este produto fora juntamente com o lixo doméstico normal.

Caso chegue o momento em que um dos seus produtos Black & Decker precise de ser substituído ou decida desfazer-se do mesmo, não o deite fora juntamente com o lixo doméstico. Torne este produto disponível para uma recolha em separado.



A recolha em separado de produtos e embalagens utilizados permite que os materiais sejam reciclados e reutilizados. A reutilização de materiais reciclados ajuda a evitar a poluição ambiental e a reduzir a procura de matérias-primas.

Os regulamentos locais poderão providenciar a recolha em separado de produtos eléctricos junto das casas, em lixeiras municipais ou junto dos fornecedores ao adquirir um novo produto.

A Black & Decker oferece um serviço de recolha e reciclagem de produtos Black & Decker que tenha atingido o fim das suas vidas úteis. Para tirar proveito deste serviço, devolva seu produto a qualquer agente de reparação autorizado, que se encarregará de recolher o equipamento em nosso nome.

Para verificar a localização do agente de reparação mais próximo de si, contacte o escritório local da Black & Decker no endereço indicado neste manual. Se preferir, consulte a lista de agentes autorizados da Black & Decker e os dados completos dos nossos serviços de atendimento pós-venda na Internet no endereço: [www.2helpU.com](http://www.2helpU.com)

## Dados técnicos

		GT90	GT100	GT110	GT115
		TYPE 3	TYPE 3	TYPE 3	TYPE 3
Voltagem	$V_{AC}$	230	230	230	230
Potência	W	380	400	420	420
Movimentos da lâmina (sem carga)	$\text{min}^{-1}$	1.900	1.900	1.900	1.900
Comprimento da lâmina	cm	42	42	50	55
Distância entre lâminas	mm	16	16	16	16
Tempo de travagem da lâmina	s	< 1,0	< 1,0	< 1,0	< 1,0
Peso (excl. cabo de alimentação)	kg	2,2	2,2	2,3	2,4

Valores totais de vibração (soma vectorial triaxial) segunda EN 60745:

Valor de emissão de vibrações ( $a_{hv}$ ) 1,9  $\text{m/s}^2$ ,  
imprecisão (K) 1,5  $\text{m/s}^2$

**Declaração de conformidade CE**DIRECTIVA MÁQUINAS  
DIRECTIVA SOBRE RUÍDO AMBIENTE

GT90/GT100/GT110/GT115

A Black & Decker declara que os produtos descritos na secção "dados técnicos" se encontram em conformidade com:

Directiva 98/37/CE (até 28 de Dezembro de 2009),  
Directiva 2006/42/CE (a partir de 29 de Dezembro de 2009),  
EN 60745-1, EN 60745-2-15

2000/14/CE, Corta-sebes, 1400 min<sup>-1</sup>, Anexo V

L<sub>WA</sub> (potência acústica medida) 96,5 dB(A)

L<sub>WA</sub> (potência acústica garantida) 99 dB(A)

Estes produtos também se encontram em conformidade com a directiva 2004/108/CE. Para obter mais informações, queira contactar a Black & Decker através do endereço que se segue ou indicado no verso do manual.

O signatário é responsável pela compilação do ficheiro técnico e apresenta esta declaração em nome da Black & Decker.

Kevin Hewitt

Vice-presidente do Departamento de Engenharia Global  
Black & Decker Europe, 210 Bath Road, Slough,  
Berkshire, SL1 3YD  
Reino Unido  
8-9-2009

- ◆ O produto tenha sido submetido a uso incorrecto ou descuido;
- ◆ O produto tenha sofrido danos causados por objectos estranhos, substâncias ou acidentes;
- ◆ Tenha um histórico de reparações efectuadas por terceiros que não sejam os agentes autorizados ou profissionais de manutenção da Black & Decker.

Para activar a garantia, será necessário enviar a prova de compra ao revendedor ou agente de reparação autorizado. Para verificar a localização do agente de reparação mais próximo de si contacte o escritório local da Black & Decker no endereço indicado neste manual. Se preferir, consulte a lista de agentes autorizados da Black & Decker e os dados completos de nossos serviços de atendimento pós-venda na Internet no endereço: [www.2helpU.com](http://www.2helpU.com)

Visite o nosso website [www.blackanddecker.eu](http://www.blackanddecker.eu) para registar o seu novo produto Black & Decker e para se manter actualizado sobre novos produtos e ofertas especiais. Estão disponíveis mais informações sobre a Black & Decker e sobre a nossa gama de produtos em [www.blackanddecker.eu](http://www.blackanddecker.eu)

**Garantia**

A Black & Decker confia na qualidade de seus produtos e oferece um programa de garantia excelente. Esta declaração de garantia soma-se aos seus direitos legais e não os prejudica em nenhum aspecto. A garantia será válida nos territórios dos Estados Membros da União Europeia e na Área de Livre Comércio da Europa.

Caso algum produto da Black & Decker apresente avarias devido a defeitos de material, mão-de-obra ou ausência de conformidade no prazo de 24 meses a partir da data de compra, a Black & Decker garantirá a substituição das peças defeituosas, a reparação dos produtos que foram submetidos a uso adequado e remoção ou substituição dos mesmos para assegurar o mínimo de inconvenientes ao cliente a menos que:

- ◆ O produto tenha sido utilizado para fins comerciais, profissionais ou aluguer;

## Användningsområde

Denna Black & Decker häcksax är konstruerad för klippning av häckar, buskar och snår. Verktyget är endast avsett som konsumentverktyg.

## Säkerhetsregler

### Allmänna säkerhetsvarningar för motordrivna verktyg



**Varning! Läs alla säkerhetsvarningar och alla anvisningar.** Fel som uppstår till följd av att varningarna och anvisningarna nedan inte följts kan orsaka elchock, brand och/eller allvarliga kroppsskador.

### Spara alla varningar och anvisningar för framtida referens.

Nedan använt begrepp lverktyg hänför sig till nätdrivna elverktyg (med nätsladd) och till batteridrivna elverktyg (sladdlösa).

#### 1. Säkerhet för arbetsområde

- Håll arbetsplatsen ren och välbelyst.** Ordning på arbetsplatsen och dåligt belyst arbetsområde kan leda till olyckor.
- Använd inte elverktyget i explosionsfarlig omgivning med brännbara vätskor, gaser eller damm.** Elverktygen alstrar gnistor som kan antända dammet eller gaserna.
- Håll under arbetet med elverktyget barn och obehöriga personer på betryggande avstånd.** Om du störs av obehöriga personer kan du förlora kontrollen över elverktyget.

#### 2. Elsäkerhet

- Elverktygets stickkontakt måste passa i vägguttaget.** Ändra aldrig stickkontakten på något sätt. Använd inte adapterkontakter tillsammans med skyddsjordade elverktyg. Oförändrade stickkontakter och passande vägguttag minskar risken för elchock.
- Undvik kroppskontakt med jordade ytor som t.ex. rör, värmeelement, spisar och kylskåp.** Det finns en större risk för elchock om din kropp är jordad.
- Skydda elverktyget mot regn och väta.** Tränger vatten in i ett elverktyg ökar risken för elchock.
- Misshandla inte nätsladden.** Använd inte sladden för att bära eller hänga upp elverktyget och inte heller för att dra stickproppen ur vägguttaget. Håll nätsladden på avstånd från värme, olja, skarpa kanter och rörliga maskindelar. Skadade eller tilltrasslade sladdar ökar risken för elchock.
- Använd endast förlängningssladdar som är godkända för utomhusbruk när du arbetar med ett elverktyg utomhus.** Om en förlängningssladd avsedd för utomhusbruk används minskar risken för elchock.

- Om man måste använda ett elverktyg på en fuktig plats bör man använda ett uttag som skyddats med en restströmsanordning (RCD).** Vid användning av en restströmsanordning (RCD) minskar risken för elektriska stötar.

#### 3. Personlig säkerhet

- Var uppmärksam, se på vad du gör och använd elverktyget med förnuft.** Använd inte elverktyget när du är trött eller om du är påverkad av droger, alkohol eller mediciner. Under användning av elverktyg kan ett ögonblicks bristande uppmärksamhet leda till allvarliga kroppsskador.
- Använd personlig skyddsutrustning. Bär alltid skyddsglasögon.** Den personliga skyddsutrustningen, som t.ex. dammfiltermask, halkfria skyddsskor, hjälm eller hörselskydd, som bör användas under de gällande omständigheterna minskar risken för kroppsskada.
- Undvik att verktyget startas av misstag. Kontrollera att strömställaren står i läge från innan du ansluter till vägguttaget och/eller batteripaketet, lyfter upp eller bär verktyget.** Det kan vara mycket farligt att bära ett elverktyg med fingret på strömbrytaren eller koppla det till nätet med strömbrytaren på.
- Ta bort alla inställningsverktyg och skruvnycklar innan du startar elverktyget.** Ett verktyg eller en nyckel i en roterande komponent kan medföra kroppsskada.
- Sträck dig inte för långt. Se till att du alltid har säkert fötäfte och balans.** På så sätt kan du lättare kontrollera elverktyget i oväntade situationer.
- Bär lämplig klädsel. Bär inte löst hängande kläder eller smycken. Håll hår, kläder och handskar undan från rörliga delar.** Löst hängande kläder, smycken och långt hår kan dras in av roterande delar.
- Om elverktyget är utrustat med dammsugnings- och -uppsamlingsutrustning, kontrollera att dessa anordningar är rätt monterade och att de används på korrekt sätt.** Dammuppsamling minskar riskerna för dammrelaterade olyckor.

#### 4. Bruk och skötsel av elverktyg

- Överbelasta inte elverktyget. Använd rätt elverktyg för det aktuella arbetet.** Med ett lämpligt elverktyg kan du arbeta bättre och säkrare inom angivet effektområde.
- Ett elverktyg med defekt strömbrytare får inte användas.** Ett elverktyg som inte kan kopplas till eller från är farligt och måste repareras.
- Dra ut stickkontakten ur vägguttaget och/eller batteripaketet ur det motordrivna verktyget innan inställningar utförs, tillbehörsdelar byts ut eller det motordrivna verktyget ställs undan.** Denna skyddsåtgärd förhindrar oavsiktlig inkoppling av elverktyget.

- d. Förvara elverktygen oåtkomliga för barn. Låt inte elverktyget användas av personer som inte är förtrogna med dess användning eller inte läst denna anvisning. Elverktyg är farliga om de används av oerfarna personer.
- e. Sköt elverktyget omsorgsfullt. Kontrollera att rörliga komponenter fungerar felfritt och inte kärvar, att komponenter inte brustit eller skadats och inget annat föreligger som kan påverka elverktygets funktioner. Låt skadade delar repareras innan elverktyget används på nytt. Många olyckor orsakas av dåligt skötta elverktyg.
- f. Håll skärverktyg skarpa och rena. Omsorgsfullt skötta skärverktyg med skarpa eggar fastnar inte så lätt och går lättare att styra.
- g. Använd det motordrivna verktyget, tillbehör och insatsverktyg etc. enligt dessa anvisningar. Ta hänsyn till arbetsvillkoren och arbetsmomenten. Används elverktyget på icke ändamålsenligt sätt kan farliga situationer uppstå.

## 5. Service

- a. Låt endast elverktyget repareras av kvalificerad fackpersonal och med originalreservdelar. Detta garanterar att elverktygets säkerhet bibehålls.

## Extra säkerhetsvarningar för motordrivna verktyg



**Varning!** Tillkommande säkerhetsvarningar för häcksaxar

- ◆ Håll alla kroppsdelar undan från skärbladet. Ta inte bort avskapat material och håll inte i material som ska kapas medan knivarna är igång. Kontrollera noga att strömbrytaren är avstängd när material som fastnat ska rensas bort. Under användning av elverktyg kan ett ögonblicks bristande uppmärksamhet leda till allvarliga kroppsskador.
- ◆ Bär häcksaxen i handtaget med knivarna stoppade. Vid transport eller förvaring av häcksaxen ska alltid bladskyddet sitta på. Korrekt hantering av häcksaxen minskar risken för att knivarna ska orsaka personskador.
- ◆ Håll kablarna borta från arbetsområdet. Under användning kan kablarna råka döljas i buskar och oavsiktligt bli skuren i.
- ◆ Verktyget är inte avsett att användas av personer (inklusive barn) med försvagade fysiska, sensoriska eller mentala förmågor, eller som saknar erfarenhet och kunskaper, om de inte får övervakning eller undervisning i användning av apparaten av någon som ansvarar för deras säkerhet. Håll uppsyn så att inga barn leker med apparaten.

- ◆ Verktygets avsedda bruk beskrivs i denna bruksanvisning. Bruk av tillbehör eller tillsatser, eller utförande av någon verksamhet med detta verktyg, som inte rekommenderas i denna bruksanvisning kan innebära risk för personskada och/eller skada på egendom.
- ◆ Bär inte verktyget med händerna på den främre säkerhetsströmbrytaren eller på strömbrytaren om batteriet inte har avlägsnats.
- ◆ Om du aldrig har använt en häcksax förut rekommenderar vi att du ber en erfaren användare om praktiska råd, förutom att du nogra läser igenom bruksanvisningen.
- ◆ Rör aldrig knivarna medan verktyget är igång.
- ◆ Försök aldrig tvinga knivarna att stanna.
- ◆ Lagg aldrig ifrån dig verktyget innan knivarna har stannat helt.
- ◆ Kontrollera knivarna regelbundet på skada eller slitage. Använd inte verktyget om knivarna är skadade.
- ◆ Var noga med att undvika hårda föremål (t ex metalltrådar eller staket) när du klipper. Om du oavsiktligt stöter på hårda föremål skall verktyget omedelbart stängas av och eventuella skador undersökas.
- ◆ Stäng genast av verktyget och syna på skador om du känner onormala vibrationer.
- ◆ Stäng genast av verktyget om det fastnar. Tag bort batteriet innan du avlägsnar föremål som eventuellt har fastnat i häcksaxen.
- ◆ Placera det medföljande bladskyddet över bladen efter avslutat arbete. Förvara verktyget så att ingen kan komma åt bladet av misstag.
- ◆ Se alltid till att alla skydd är monterade när du använder verktyget. Försök aldrig använda ett verktyg där delar saknas eller otillåtna ändringar har utförts.
- ◆ Låt aldrig barn använda verktyget.
- ◆ Tänk på fallande rester när du klipper sidorna av en hög häck.
- ◆ Håll alltid i verktyget med båda händerna och i de tillgängliga handtagen.

## Andra personers säkerhet

- ◆ Apparaten är inte avsedd att användas av personer (inklusive barn) med försvagade fysiska, sensoriska eller mentala förmågor, eller som saknar erfarenhet och kunskaper, om de inte får övervakning eller undervisning i användning av apparaten av någon som ansvarar för deras säkerhet.
- ◆ Håll uppsyn så att inga barn leker med apparaten.

## Skakas

De angivna vibrationsemissionsvärdena i tekniska data / försäkringen om överensstämmelse har uppmätts enligt en standardtestmetod som tillhandahålls av EN 60745 och kan användas för att jämföra olika verktyg med varandra.



De angivna vibrationsemissionsvärdena kan även användas för en preliminär beräkning av exponering.

**Varning!** Vibrationsemissionsvärdet under faktisk användning av elverktøget kan skilja sig från det angivna värdet beroende på hur verktyget används. Vibrationsnivån kan överstiga den angivna nivån.

Vid beräkning av vibrationsexponering för att bestämma säkerhetsåtgärder enligt 2002/44/EG för att skydda personer som regelbundet använder elverktyg i arbetet, bör en beräkning av vibrationsexponeringen ta med i beräkningen de faktiska användningsförhållandena och sättet verktyget används, inkluderande att man tar med i beräkningen alla delar av användningscykeln, förutom själva "avtryckartiden" även t.ex. när verktyget är avstängt och när det går på tomgång.

## Märken på verktyget

Följande symboler finns på verktyget:



**Varning!** För att minska risken för skador måste användaren läsa igenom bruksanvisningen.



Använd alltid skyddsglasögon samt hörselskydd.



Använd handskar under arbetet med maskinen.



Dra genast ut kontakten om sladden är skadad.



Undvik att exponera verktyget för regn och hög luftfuktighet.

## Elsäkerhet



Eftersom verktyget är dubbelisolerat behövs ingen jordledare. Kontrollera alltid att nätspänningen överensstämmer med värdet på märkplåten.

- Om nätsladden är skadad måste den bytas ut av tillverkaren eller en godkänd Black & Deckerserviceverkstad för att undvika en risksituation.

## Bruk med förlängningssladd

Använd alltid en godkänd förlängningssladd som är lämpad för verktygets strömförbrukning (se tekniska data). Förlängningssladden måste vara lämpad och märkt för utomhusbruk. Upp till 30 m H05V V-F förlängningssladd, 1,5 mm<sup>2</sup>, kan användas utan att påverka produktens prestanda. Kontrollera före bruk om förlängningssladden är skadad, sliten eller börjar åldras.

Byt ut förlängningssladden om den är skadad eller trasig. Vid bruk av en sladdvinda ska alltid hela sladden lindas av.

## Detaljbeskrivning

Verktyget har en del eller samtliga av nedanstående funktioner.

1. Avtryckarbrytare
2. Främre säkerhetsströmbrytare
3. Främre handtag
4. Skydd
5. Blad
6. Bladskydd
7. Sladdhållare

Denna häcksax bjuder dig följande egenskaper:

- ◆ Ergonomiskt utformade handtag för bekvämt arbete.
- ◆ Maskinskurna blad för bättre skärtyta.
- ◆ Dubbelverkande knivar för reducerad vibration.

## Montering

**Varning!** Kontrollera före montering att verktyget är avstängt, kontakten utdragen och bladskyddet på plats över knivarna.

### Montering av skyddet (fig. A)

- ◆ Placera skyddet (4) i monteringsbygeln (8).
- ◆ Skjut in skyddet i bygeln tills det knäpper fast.

**Varning!** Använd aldrig verktyget utan skyddet.

### Koppling till elnätet (fig. B)

Om verktyget inte är försett med en nätsladd, måste en förlängningssladd kopplas till eluttaget.

- ◆ Anslut honkontakten på en lämplig förlängningssladd till verktygets eluttag.
- ◆ För sladden genom kabelhållaren (7) enligt bilden för att undvika att förlängningssladden lossnar under bruk.
- ◆ Sätt nätkontakten i ett vägguttag.

**Varning!** Förlängningssladden måste vara avsedd för utomhusbruk. Vid bruk av en sladdvinda ska alltid hela sladden lindas av.

## Användning

**Varning!** Överbelasta inte maskinen, låt den arbeta i sin egen takt.

- ◆ Var noga med hur du leder sladden så att du inte råkar skära i den. Ett bra sätt att ha kontroll över sladden är att lägga den över axeln.
- ◆ Av säkerhetsskäl är verktyget försett med ett dubbelt start/stoppsystem. Detta system förhindrar oavsiktlig start och innebär att häcksaxen måste manövreras med båda händerna för att fungera.

## Start och stopp

### Start

- ◆ Grip det främre handtaget (3) med den ena handen så att handtagets strömbrytare (2) trycks in i verktygets hölje.
- ◆ Tryck med den andra handen in avtryckarströmbrytaren (1) för att starta verktyget.

### Avstängning

- ◆ Släpp greppströmbrytaren (2) eller avtryckaren (1).

**Varning!** Försök aldrig låsa en strömbrytare i startläge.

### Råd för bästa resultat

- ◆ Börja med att klippa häckens ovasida. Luta häcksaxen något (upp till 15° mot snittlinjen) så att knivspetsarna riktas mot häcken (fig. C1). Detta gör att knivarna klipper mer effektivt. Håll verktyget i önskad vinkel och förflytta det lugnt och stadigt längs snittlinjen. Dubbelsidiga knivar tillåter klippning i båda riktningarna.
- ◆ För att uppnå en mycket rät klippinje kan du späna ett snöre på önskad höjd längs häcken. Använd snöret som en riktlinje och klipp precis ovanför det.
- ◆ För att få sidorna rätta bör du klippa nedifrån och upp i växtriktningen. Yngre kvistar böjer sig utåt om du klipper nedåt, vilket gör att häcken får glesa fläckar (fig. C2).
- ◆ Var noga med att undvika främmande föremål. Se särskilt till att undvika hårda föremål såsom metalltråd och staket, eftersom dessa kan skada knivarna.
- ◆ Smörj knivarna regelbundet.

### Underhåll

Ditt Black & Decker-verktyg, med eller utan nätkabel, har tillverkats för att fungera under lång tid med ett minimum av underhåll. Med rätt underhåll och regelbunden rengöring behåller verktyget sin prestanda.

**Varning!** Före varje typ av underhåll på nätanlutna/sladdlösa motordrivna verktyg:

- ◆ Stäng av apparaten/verktyget och drag ur kontakten.
- ◆ Eller stäng av och ta bort batteriet från utrustningen/verktyget om utrustningen/verktyget har ett separat batteripaket.
- ◆ Eller töm batteriet helt om det är inbyggt och stäng sedan av.
- ◆ Tag ur laddarkontakten före rengöring. Laddaren behöver inget underhåll förutom regelbunden rengöring.
- ◆ Rengör regelbundet ventilationsöppningarna på apparaten/verktyget/laddaren med en mjuk borste eller torr trasa.
- ◆ Rengör kåpan regelbundet med en fuktig trasa. Använd aldrig rengöringsmedel med lösnings- eller slipmedel i.
- ◆ Öppna chucken regelbundet och knacka på den för att avlägsna eventuellt damm som hamnat inuti den (när den är monterad).

### Avlägsnande av skyddet (fig. A)

**Varning!** Skyddet får endast avlägsnas för underhållsändamål. Sätt alltid tillbaka skyddet när arbetet är färdigt.

- ◆ För in små stift i hålen (9) på ömse sidor av bygeln (8) och dra skyddet (4) framåt.
- ◆ Avlägsna stiften och tag lös skyddet från verktyget.

### Felsökning

Kontrollera nedanstående punkter om verktyget inte fungerar korrekt.

Fel	Möjlig orsak	Åtgärd
Verktyget startar inte.	Trasig säkring. Utlöst jordfelsbrytare. Ingen ström.	Byt säkring. Kontrollera jordfelsbrytaren. Kontrollera förbindelsen med elnätet.

### Miljöskydd



Särskild insamling. Denna produkt får inte kastas bland vanliga hushållssopor.

Om du någon gång i framtiden behöver ersätta din Black & Decker-produkt med en ny, eller inte längre behöver den, ska du inte kasta den i hushållssoporna. Denna produkt skall lämnas till särskild insamling.



Efter insamling av använda produkter och förpackningsmaterial kan materialen återvinnas och användas på nytt. Användning av återvunna material skonar miljön och minskar förbrukningen av råvaror.

Enligt lokal lagstiftning kan det förekomma särskilda insamlingar av uttjänt elutrustning från hushåll, antingen vid kommunala miljöstationer eller hos detaljhandlaren när du köper en ny produkt.

Black & Decker erbjuder en insamlings- och återvinningstjänst för Black & Decker-produkter när de en gång har tjänat ut. För att använda den här tjänsten lämnar du in produkten till en auktoriserad B & D -reparatör/representant som tar hand om den för din räkning.

Närmaste auktoriserade Black & Decker-representant finner du genom det lokala Black & Decker-kontoret på adressen i den här manualen. Annars kan du söka på Internet, på listan över auktoriserade Black & Decker-representanter och alla uppgifter om vår kundservice och andra kontakter [www.2helpU.com](http://www.2helpU.com)

**Tekniska data**

		GT90 TYPE 3	GT100 TYPE 3	GT110 TYPE 3	GT115 TYPE 3
Spänning	V <sub>AC</sub>	230	230	230	230
Ineffekt	W	380	400	420	420
Bladslag (obelastad)	min <sup>-1</sup>	1.900	1.900	1.900	1.900
Bladlängd	cm	42	42	50	55
Bladavstånd	mm	16	16	16	16
Bladbromstid	s	< 1,0	< 1,0	< 1,0	< 1,0
Vikt (utan nåttsladd)	kg	2,2	2,2	2,3	2,4

Vibrationens totala värde (treaxelvektorsumma) bestämd enligt EN 60745:

Vibrationsemissionsvärde (a<sub>w</sub>) 1,9 m/s<sup>2</sup>, avvikelse (K) 1,5 m/s<sup>2</sup>

**EC-förklaring om överensstämmelse**

MASKINDIREKTIVET

DIREKTIVET OM STÖRANDE LJUD UTMOMHUS



GT90/GT100/GT110/GT115

Black & Decker deklarerar att dessa produkter, beskrivna under "tekniska data", är tillverkade i överensstämmelse med: 98/37/EG (till 28 dec. 2009), 2006/42/EG (från 29 dec. 2009), EN 60745-1, EN 60745-2-15

2000/14/EG, Häcksax, 1400 min<sup>-1</sup>, Bilaga V

L<sub>WA</sub> (uppmätt ljudeffekt) 96,5 dB(A)

L<sub>WA</sub> (garanterad ljudeffekt) 99 dB(A)

Dessa produkter överensstämmer också med direktivet 2004/108/EG. För mer information, vänligen kontakta Black & Decker på följande adress eller den som anges på handbokens baksida.

Undertecknad är ansvarig för sammanställningen av den tekniska filen och gör denna försäkran som representant för Black & Decker.

Kevin Hewitt  
Vice-President Global Engineering  
Black & Decker Europe, 210 Bath Road, Slough,  
Berkshire, SL1 3YD  
Storbritannien  
8-9-2009

**Reservdelar / reparationer**

Reservdelar finns att köpa hos auktoriserade Black & Decker verkstäder, som även ger kostnadsförslag och reparerar våra produkter.

Förteckning över våra auktoriserade verkstäder finns på Internet, vår hemsida [www.blackanddecker.se](http://www.blackanddecker.se) samt [www.2helpU.com](http://www.2helpU.com)

**Garanti**

Black & Decker garanterar att produkten är fri från material- och/eller fabriktionsfel vid leverans till kund. Garantin är i tillägg till konsumentens lagliga rättigheter och påverkar inte dessa. Garantin gäller inom medlemsstaterna i Europeiska Unionen och i det Europeiska Frihandelsområdet.

Om en Black & Decker produkt går sönder på grund av material- och/eller fabriktionsfel eller brister i överensstämmelse med specifikationen, inom 24 månader från köpet, åtar sig Black & Decker att reparera eller byta ut produkten med minsta besvär för kunden.

Garantin gäller inte för fel som beror på:

- ◆ normalt slitage
- ◆ felaktig användning eller skötsel
- ◆ att produkten skadats av främmande föremål, ämnen eller genom olyckshändelse

Garantin gäller inte om reparation har utförts av någon annan än en auktoriserad Black & Decker verkstad.

För att utnyttja garantin skall produkten och inköpskvittot lämnas till återförsäljaren eller till en auktoriserad verkstad senast 2 månader efter det att felet har upptäckts. För information om närmaste auktoriserad verkstad; kontakta det lokala Black & Decker kontoret på den adress som är angiven i bruksanvisningen. En lista på alla auktoriserade verkstäder samt servicevillkor finns även tillgängligt på Internet, adress: [www.2helpU.com](http://www.2helpU.com)

Besök vår webbplats [www.blackanddecker.se](http://www.blackanddecker.se) för att registrera din nya Black & Decker-produkt samt för att erhålla information om nya produkter och specialerbjudanden. Vidare information om märket Black & Decker och vårt produktsortiment kan återfinnas på [www.blackanddecker.se](http://www.blackanddecker.se)

## Bruksområder

Din Black & Decker hekksaks er konstruert for å klippe hekker og busker. Verktøyet er tiltenkt kun som konsumentverktøy.

## Sikkerhetsinstruksjoner

### Generelle sikkerhetsadvarsler for elektroverktøy



**Advarsel! Les alle sikkerhetsadvarsler og alle instruksjoner.** Hvis advarsler og instruksjoner ikke følges, kan det medføre elektrisk støt, brann og/eller alvorlige skader.

**Ta vare på alle advarsler og instruksjoner for fremtidige oppslag.** Uttrykket «elektroverktøy» i alle advarslene nedenfor gjelder for strømdrevne elektroverktøy (med ledning) og batteridrevne elektroverktøy (uten ledning).

#### 1. Sikkerhet i arbeidsområdet

- Hold arbeidsområdet rent og godt opplyst.** Rotete arbeidsområder med dårlig belysning kan føre til ulykker.
- Ikke arbeid med elektroverktøy i eksplosjonsfarlige omgivelser hvor det finnes brennbare væsker, gass eller støv.** Elektroverktøy forårsaker gnister som kan antenne støv eller røyk.
- Hold barn og andre personer unna når elektroverktøyet brukes.** Hvis du blir forstyrret under arbeidet, kan du miste kontrollen.

#### 2. Elektrisk sikkerhet

- Støpselet til elektroverktøyet må passe inn i stikkkontakten. Støpselet må ikke forandres på noen som helst måte. Ikke bruk adapterstøpsler sammen med jordete elektroverktøy.** Bruk av originale støpsler og passende stikkontakter reduserer risikoen for elektrisk støt.
- Unngå kroppskontakt med jordete overflater som rør, radiatorer, komfyrer og kjøleskap.** Det er større fare for elektrisk støt hvis kroppen din er jordet.
- Utsett ikke elektroverktøy for regn eller fuktighet.** Dersom det kommer vann i et elektroverktøy, øker risikoen for elektrisk støt.
- Unngå uforvarlig behandling av ledningen. Elektroverktøyet må aldri bæres eller trekkes etter ledningen, og trekk heller ikke ut støpselet ved å rykke i ledningen. Hold ledningen unna varme, olje, skarpe kanter eller bevegelige deler.** Med skadde eller sammenflokete ledninger øker risikoen for elektrisk støt.
- Når du arbeider utendørs med et elektroverktøy, må du kun bruke en skjøteledning som er godkjent til utendørs bruk.** Ved å bruke en skjøteledning som er egnet for utendørs bruk, reduseres risikoen for elektrisk støt.

- Hvis du må bruke et elektrisk verktøy på et fuktig sted, må du bruke en forsyning som er beskyttet med en reststrømsanordning (RCD).** Bruk av en RCD reduserer risikoen for støt.

#### 3. Personikkerhet

- Vær oppmerksom, pass på hva du gjør og vis fornuft når du arbeider med et elektroverktøy. Ikke bruk elektroverktøy når du er trett eller er påvirket av narkotika, alkohol eller medikamenter.** Et øyeblikks uoppmerksomhet under bruk av verktøyet kan føre til alvorlige personskader.
  - Bruk personlig verneutstyr. Bruk alltid vernebriller.** Verneutstyr som støvmaske, sko med gode såler, hjelm og hørselsvern bør brukes for å redusere risikoen for personskade.
  - Unngå utilsiktet oppstart. Påse at bryteren er i av-stilling før du kople til strøm og/eller batteripakke, plukker opp eller bærer verktøyet.** Hvis du bærer et elektrisk verktøy med fingeren på bryteren, eller hvis du setter strøm på et verktøy som har bryteren slått på, inviterer du til ulykker.
  - Fjern innstillingsverktøy eller skrunøkler før du slår på elektroverktøyet.** Et verktøy eller en nøkkel som befinner seg i en roterende del kan føre til personskade.
  - Ikke strekk deg for langt. Pass på at du alltid har sikkert fotfeste og god balanse.** Da kan du kontrollere elektroverktøyet bedre i uventede situasjoner.
  - Bruk alltid egnede klær. Ikke bruk løstsittende klær eller smykker. Hold hår, klær og hansker unna bevegelige deler.** Løstsittende klær, smykker eller langt hår kan komme inn i bevegelige deler.
  - Hvis det kan monteres støvavsug- og oppsamlingsinnretninger, må du forvisse deg om at disse er tilkoblet og brukes på riktig måte.** Bruk av støvavsug reduserer farer i forbindelse med støv.
- #### 4. Aktsom håndtering og bruk av elektroverktøy
- Ikke bruk makt på elektroverktøyet. Bruk et elektroverktøy som er beregnet på den type arbeid du vil utføre.** Med et passende elektroverktøy arbeider du bedre og sikrere i det angitte effektområdet.
  - Ikke bruk elektroverktøyet hvis det ikke lar seg slå på og av med bryteren.** Et elektroverktøy som ikke kan kontrolleres med bryteren er farlig og må repareres.
  - Trekk støpselet ut av stikkkontakten og/eller kople fra batteripakken før du utfører innstillinger på et elektrisk verktøy, skifter tilbehør eller legger verktøyet bort.** Disse tiltakene reduserer risikoen for en utilsiktet start av elektroverktøyet.

- d. **Elektroverktøy som ikke er i bruk må oppbevares utilgjengelig for barn. Ikke la verktøyet brukes av personer som ikke er fortrolig med det eller som ikke har lest disse bruksanvisningene.** Elektroverktøy er farlige når de brukes av uerfarne personer.
  - e. **Vær nøye med vedlikehold av elektroverktøy. Kontroller om bevegelige deler fungerer feilfritt og ikke klemmes fast, om deler er brukket eller skadet og andre forhold som kan innvirke på elektroverktøyets funksjon. Hvis elektroverktøyet er skadet, må det repareres før bruk.** Dårlig vedlikeholdte elektroverktøy er årsaken til mange uhell.
  - f. **Hold skjæreverktøy skarpe og rene.** Godt vedlikeholdte skjæreverktøy med skarpe egger setter seg ikke så ofte fast og er lettere å føre.
  - g. **Bruk elektroverktøy, tilbehør, bor osv. i henhold til disse instruksjonene. Ta hensyn til arbeidsforholdene og arbeidet som skal utføres.** Bruk av elektroverktøy til andre formål enn det som er angitt, kan føre til farlige situasjoner.
5. **Service**
- a. **Elektroverktøyet ditt skal alltid repareres av kvalifisert personell og kun med originale reservedeler.** Dette sikrer at elektroverktøyets sikkerhet opprettholdes.

## Ekstra sikkerhetsadvarsler for elektriske verktøy



**Advarsel!!** Utfyllende sikkerhetsadvarsler for heksesakser

- ◆ **Hold alle kroppsdeler godt unna kuttebladet. Ikke fjern kuttet materiale eller hold i materiale som skal kuttes mens bladene er i bevegelse. Påse at bryteren er AV når du fjerner fastkilte materialer.** Et øyeblikks uoppmerksomhet under bruk av verktøyet kan føre til alvorlige personskader.
- ◆ **Bær heksesaksen i håndtaket, med bladet stoppet. Når du transporterer eller oppbevarer heksesaksen må dekslet over bladet alltid være på.** Korrekt håndtering av heksesaksen vil redusere muligheten for personskade fra knivbladene.
- ◆ **Hold ledningen unna kutteområdet.** Under bruk kan ledningen skjule seg i buskene, og kan dermed utilsikket bli kuttet.
- ◆ Dette verktøyet er ikke beregnet til å brukes av personer (inkludert barn) med redusert fysisk, sansemessig eller mental kapasitet eller mangel på erfaring og kunnskap, med mindre de er under oppsyn eller har fått opplæring i bruk av verktøyet av en person som har ansvaret for deres sikkerhet. Barn må ha tilsyn for å sikre at de ikke leker med apparatet.

- ◆ Denne instruksjonshåndboken forklarer beregnet bruksmåte. Bruk bare tilbehør og utstyr som anbefales i bruksanvisningen. Bruk av annet verktøy eller tilbehør kan medføre risiko for skade på person og/eller utstyr.
- ◆ Ikke bær verktøyet med hendene på den fremste sikkerhetsstrømbryteren eller på strømbryteren, hvis ikke batteriet er fjernet.
- ◆ Hvis du ikke har brukt en heksaks før, bør du be om praktisk veiledning fra en erfaren bruker i tillegg til å lese denne bruksanvisningen.
- ◆ Rør aldri knivene så lenge verktøyet er i gang.
- ◆ Prøv aldri å tvinge knivene til å stoppe.
- ◆ Legg ikke verktøyet fra deg før knivene har stoppet fullstendig.
- ◆ Sjekk knivene regelmessig for skade og slitasje. Ikke bruk verktøyet når knivene er skadet.
- ◆ Pass på å unngå harde gjenstander (f.eks. ståltråd, gjerder) når du klipper. Skulle du allikevel komme borti harde gjenstander, slår du verktøyet av med en gang og sjekker om det er blitt skadet.
- ◆ Hvis verktøyet begynner å vibrere på en unormal måte, slår du det av med en gang og sjekker om det er blitt skadet.
- ◆ Hvis verktøyet blokkeres, må du slå det av med en gang. Ta ut batteriet før du prøver å fjerne det som har satt seg fast.
- ◆ Sett beskyttelsen som følger med, over knivene etter bruk. Pass på at sverdet er dekket til under oppbevaring.
- ◆ Forsikre deg alltid om at alle beskyttelser er montert når du bruker verktøyet. Prøv aldri å bruke et ufullstendig verktøy eller et verktøy det er gjort ulovlige endringer på.
- ◆ La aldri barn få bruke verktøyet.
- ◆ Vær oppmerksom på fallende avskjær når du klipper høyt opp på hekker.
- ◆ Hold alltid verktøyet med begge hender og i de tilgjengelige håndtakene.

## Andre personers sikkerhet

- ◆ Apparatet er ikke beregnet til å brukes av personer (inkludert barn) med redusert fysisk, sansemessig eller mental kapasitet eller mangel på erfaring og kunnskap, med mindre de er under oppsyn eller har fått opplæring i bruk av apparatet av en person som har ansvaret for deres sikkerhet.
- ◆ Barn må ha tilsyn for å sikre at de ikke leker med apparatet.

## Vibrasjon

De erklærte vibrasjonsnivåene i avsnittet Tekniske Data / Samsvarserklæring er målt i samsvar med en standard testmetode som gis av EN 60745, og kan brukes til å sammenligne et verktøy med et annet. Erklært vibrasjonsnivå kan også brukes i en foreløpig vurdering av eksponering.

**Advarsel!** Vibrasjonsnivået ved faktisk bruk av elektroverktøyet kan variere fra erklært verdi, avhengig av måten verktøyet brukes på. Vibrasjonsnivået kan øke over det oppgitte nivået.

Når du vurderer eksponering til vibrasjon for å bestemme sikkerhetstiltak som anbefalt i 2002/44/EF for å beskytte personer som jevnlig bruker elektroverktøy, bør en estimering av eksponeringen ta hensyn til de faktiske bruksforholdene og måten verktøyet brukes på. Dette inkluderer alle deler av brukssyklusen som f.eks. tidsperioder da verktøyet er slått av og når det går uten belastning, i tillegg til faktisk arbeidstid.

## Etiketter på verktøyet

Følgende symboler befinner seg på verktøyet:



**Advarsel!** Bruker må lese bruksanvisningen for å redusere faren for skader.



Bruk alltid vernebriller og hørselsvern.



Ha på deg hansker når du bruker dette verktøyet.



Trekk ut kontakten umiddelbart hvis ledningen er skadet eller avkuttet.



Utsett ikke verktøyet for regn eller høy fuktighet.

## Elektrisk sikkerhet



Dette apparatet er dobbeltisolert. Derfor er ikke jording nødvendig. Kontroller alltid at nettspenningen er i overensstemmelse med spenningen på typeskiltet.

- ◆ Hvis strømledningen skades, må den skiftes ut av fabrikanten eller et autorisert Black & Decker servicesenter for å unngå fare.

## Bruk med skjøteledning

Bruk en godkjent skjøteledning som er egnet for dette verktøyets kraftbehov (se tekniske data). Bruk kun skjøteledning som er tillatt for utendørs bruk og merket for dette. Skjøteledning på opptil 30 m, 1,5 mm<sup>2</sup> HO5V V-F, kan brukes uten redusert ytelse. Før bruk må du kontrollere at skjøteledningen ikke er skadet eller slitt. Skift ut skjøteledningen hvis den er skadet. Hvis du bruker en kabeltrommel, må du alltid vikle ut hele ledningen.

## Egenskaper

Dette verktøyet har noen av eller alle disse funksjonene.

1. Strømbryter
2. Fremre sikkerhetsstrømbryter
3. Fremre håndtak
4. Beskyttelse
5. Kniv
6. Bladbeskyttelse
7. Ledningholder

Denne heksaksen har følgende funksjoner:

- ◆ Ergonomisk utformede håndtak for komfortabel klipping.
- ◆ Maskinbearbejdede blader for bedre klipperesultater.
- ◆ Dobbeltvirkende blader som gir redusert vibrasjon.

## Montering

**Advarsel!** Før du setter sammen enheten må du forvise deg om at verktøyet er slått av og ikke er tilkoblet strømkilden, og at bladbeskyttelsen er satt på bladene.

### Montere beskyttelsen (fig. A)

- ◆ Plasser beskyttelsen (4) i monteringsbraketten (8).
- ◆ Skyv beskyttelsen inn i braketten til den går på plass med et klikk.

**Advarsel!** Du må aldri bruke verktøyet uten beskyttelsen.

### Kople verktøyet til strømtilførselen (fig. B)

Med mindre verktøyet er utstyrt med en strømkabel, må du kople en skjøteledning til strøminntaket.

- ◆ Kople hunnpluggen på en egnet skjøteledning til strøminntaket på verktøyet.
- ◆ Før kabelen gjennom kabelholderen (7) som vist for å unngå at skjøteledningen løsner under bruk.
- ◆ Sett støpslet inn i et strømuttak.

**Advarsel!** Skjøteledningen må være egnet for utendørs bruk. Hvis du bruker en kabeltrommel, må du alltid vikle ut hele ledningen.

## Bruk

**Advarsel!** La verktøyet jobbe med sin egen hastighet.

Ikke overbelast det.

- ◆ Før ledningen forsiktig, slik at du unngår å kappe den over ved et uhell. Det kan være lurt å henge ledningen over skulderen.
- ◆ For din egen sikkerhets skyld er dette verktøyet utstyrt med et dobbelt startesystem. Dette systemet forhindrer at en ufrivillig starter verktøyet, og vil bare tillate drift når verktøyet blir holdt med begge hender.

## Start og stopp

### Slå på

- ◆ Grip fronthåndtaket (3) med den ene hånden, slik at fronthåndtaksbryteren (2) trykkes inn i verktøyhuset.
- ◆ Klem inn strømbryteren (1) med den andre hånden, for å starte verktøyet.

## Slå av

- ◆ Slipp håndtakbryteren (2) på strømbryteren (1).

**Advarsel!** Prøv aldri å låse en strømbryter i startstilling.

## Råd for optimalt resultat

- ◆ Start med å klippe toppen av hekken. Sett verktøyet litt på skrå (opptil 15° i relasjon til kuttlinjen) slik at knivspissene peker svakt mot hekken (fig. C1). Dette vil gjøre at knivene klipper mer effektivt. Hold verktøyet i den ønskede vinkelen, og beveg det jevnt langs kuttlinjen. Den dobbeltvirkende kniven lar deg klippe i begge retninger.
- ◆ For å klippe helt rett, strekk en snor langs hekken i den høyden du ønsker. Bruk snoren som en siktelinje, og klipp like over den.
- ◆ For å få flate sider, klipp oppover med vokseretningen. Yngre grener vil falle utover hvis du klipper nedover, og lage grunne områder i hekken (fig. C2).
- ◆ Pass på å ikke komme borti fremmedlegemer. Unngå spesielt harde gjenstander, som ståltråd og gjerder, da disse kan skade knivene.
- ◆ Smør knivene regelmessig med olje.

## Vedlikehold

Ditt Black & Decker-apparat/verktøy med eller uten ledning er konstruert for å være i drift over en lang periode med et minimum av vedlikehold. Det er avhengig av godt vedlikehold og regelmessig rengjøring for å fungere som det skal til enhver tid.

**Advarsel!** Før du utfører vedlikehold på elektroverktøy med ledning eller batteri:

- ◆ Slå av og trekk ut støpselet av kontakten.
- ◆ Eller slå av og ta batteriet ut av apparatet/verktøyet hvis det har en separat batteripakke.
- ◆ Eller kjøp batteriet helt tomt hvis det er innebygd, for deretter å slå av.
- ◆ Trekk ut kontakten før du rengjør laderen. Laderen din behøver ikke annet vedlikehold enn at den rengjøres med jevne mellomrom.
- ◆ Rengjør ventilasjonsåpningene på apparatet/verktøyet/laderen regelmessig med en myk børste eller en tørr klut.
- ◆ Rengjør motorhuset regelmessig med en fuktig klut. Ikke bruk slipende eller løsemiddelbaserte rengjøringsmidler.
- ◆ Åpne opp chucken regelmessig, og slå lett på den for å fjerne eventuelt støv fra innsiden (når den er innebygd).

## Fjerne beskyttelsen (fig. A)

**Advarsel!** Beskyttelsen må kun fjernes i forbindelse med service. Beskyttelsen må alltid settes på igjen etter utført service.

- ◆ Sett små pinner inn i hullene (9) på hver side av braketten (8) og trekk beskyttelsen (4) forover.
- ◆ Fjern pinnene og ta beskyttelsen av verktøyet.

## Problemløsning

Hvis verktøyet ikke fungerer som det skal, kontrollerer du følgende:

Feil	Mulig årsak	Løsning
Verktøyet starter ikke	Sikringen er gått. Utløst jordfeilbryter. Ingen strøm.	Skift ut sikringen. Kontroller jordfeilbryteren. Kontroller strømforsyningen.

## Miljøvern



Kildesortering. Dette produktet må ikke kastes i det vanlige husholdningsavfallet.

Hvis du finner ut at Black & Decker-produktet ditt må skiftes ut, eller hvis du ikke lenger har bruk for det, må du unnlate å kaste det sammen med det vanlige husholdningsavfallet. Sørg for at dette produktet gjøres tilgjengelig for kildesortering.



Kildesortering av brukte produkter og emballasje gjør det mulig å resirkulere materialer og bruke dem igjen. Gjenbruk av resirkulerte materialer bidrar til å forhindre forurensning av miljøet og reduserer behovet for råmaterialer.

Lokale regelverk kan legge tilrette for kildesortering av elektriske produkter fra husholdningen, ved kommunale deponier eller gjennom forhandleren når du kjøper et nytt produkt.

Black & Decker har tilrettelagt for innsamling og resirkulering av Black & Decker-produkter etter at de har utspilt sin rolle. Ønsker du å benytte deg av denne tjenesten, returnerer du produktet ditt til et autorisert serviceverksted, som tar det imot og formidler det videre.

Du kan få adressen til ditt nærmeste autoriserte serviceverksted ved å kontakte ditt lokale Black & Decker-kontor på adressen oppgitt i denne håndboken. Du kan også finne en komplett liste over autoriserte Black & Decker-serviceverksteder og utfyllende informasjon om vår etter salg-service og kontaktnumre på Internett på følgende adresse: [www.2helpU.com](http://www.2helpU.com)

## Tekniske data

	GT90	GT100	GT110	GT115
	TYPE 3	TYPE 3	TYPE 3	TYPE 3
Spenning	$V_{AC}$ 230	230	230	230
Inn-effekt	W 380	400	420	420
Slag (ubel.)	min <sup>-1</sup> 1.900	1.900	1.900	1.900
Knivlengde	cm 42	42	50	55
Tannavstand	mm 16	16	16	16
Knivbremsetid	s < 1,0	< 1,0	< 1,0	< 1,0
Vekt (unntatt strømledning)	kg 2,2	2,2	2,3	2,4



Totalverdier, vibrasjon (triax vektorsum) bestemt ifølge  
EN 60745:  
Vibrasjonsverdi ( $a_h$ ) 1,9 m/s<sup>2</sup>, usikkerhet (K) 1,5 m/s<sup>2</sup>

**Samsvarserklæring for EU**  
MASKINDIREKTIVET  
DIREKTIVET OM UNDERDØRS STØY



GT90/GT100/GT110/GT115

Black & Decker erklærer at produktene som beskrives under  
"tekniske data" oppfyller kravene til:  
98/37/EF (til 28. desember 2009), 2006/42/EF  
(fra 29. desember 2009), EN 60745-1, EN 60745-2-15

2000/14/EF, Hekksaks, 1400 min<sup>-1</sup>, Bilag V  
L<sub>WA</sub> (målt lydeffekt) 96,5 dB(A)  
L<sub>WA</sub> (garantert lydeffekt) 99 dB(A)

Disse produktene samsvarer også med direktivet 2004/108/EF.  
For mer informasjon, kontakt Black & Decker på følgende  
adresse eller se bakerst i håndboken.

Undertegnede er ansvarlig for sammenstillingen av den  
tekniske filen og avgir denne erklæringen på vegne  
av Black & Decker.

Kevin Hewitt  
Visepresident, Global Engineering  
Black & Decker Europe, 210 Bath Road, Slough,  
Berkshire, SL1 3YD  
Storbritannia  
8-9-2009

Hvis et Black & Decker produkt går i stykker på grunn av  
material- og/eller fabrikkasjonsfeil eller har mangler i forhold til  
spesifikasjonene, innen 24 måneder fra kjøpet, påtar  
Black & Decker seg å reparere eller bytte ut produktet med  
minst mulig vanskelighet for kunden.

Garantien gjelder ikke for feil som kommer av:

- ◆ normal slittasje
- ◆ feilaktig bruk eller vedlikehold (mislighold)
- ◆ at produktet har blitt skadet av fremmede gjenstander,  
emner eller ved et uhell

Det gjøres oppmerksom på at produktet ikke er beregnet på  
industriell/profesjonell/yrkesmessig bruk, men til hus- og  
hjemmebruk.

Garantien gjelder ikke om reparasjoner har blitt utført av noen  
andre enn et autorisert Black & Decker serviceverksted.

For å ta garantien i bruk skal produktet og kjøpekvittring  
leveres til forhandleren eller til et autorisert serviceverksted  
senest 2 måneder etter at feilen har blitt oppdaget.  
For informasjon om nærmeste autoriserte serviceverksted;  
kontakt det lokale Black & Decker kontoret på den adressen  
som er angitt i bruksanvisningen. En oversikt over alle  
autoriserte serviceverksteder samt servicevilkår finnes også  
tilgjengelig på Internet, adresse: [www.2helpU.com](http://www.2helpU.com)

Vennligst stikk innom våre nettsider på [www.blackanddecker.no](http://www.blackanddecker.no)  
for å registrere ditt nye Black & Decker-produkt og for å holde  
deg oppdatert om nye produkter og spesialtilbud. Du finner  
mer informasjon om Black & Decker og produktutvalget vårt  
på [www.blackanddecker.no](http://www.blackanddecker.no)

## Reservdeler / reparasjoner

Reservdeler kan kjøpes hos autoriserte Black & Decker  
serviceverksteder, som også gir kostnadsoverslag og  
reparerer våre produkter.

Oversikt over våre autoriserte serviceverksteder finnes på  
Internet, vår hjemmeside [www.blackanddecker.no](http://www.blackanddecker.no) samt  
[www.2helpU.com](http://www.2helpU.com)

## Garanti

Black & Decker garanterer at produktet ikke har material- og/  
eller fabrikkasjonsfeil ved levering til kunde. Garantien er  
i tillegg til kundens lovlige rettigheter og påvirker ikke disse.  
Garantien gjelder innen medlemsstatene i den Europeiske  
Unionen og i det Europeiske Frihandelsområdet.

## Anvendelsesområde

Din Black & Decker hækkeklipper er designet til at klippe hække, buske og krat. Værktøjet er kun beregnet til privat brug.

## Sikkerhedsinstruktioner

### Generelle sikkerhedsadvarsler for værktøjet



**Advarsel! Læs alle sikkerhedsadvarsler og instrukser.** Hvis nedenstående advarsler og instrukser ikke følges, er der risiko for elektrisk stød, brand og/eller alvorlige personskader.

### Gem alle advarsler og instruktioner til fremtidig brug.

Det benyttede begreb "el-værktøj" i nedennævnte advarsler refererer til el-netdrevne (med tilslutningsledning) eller batteridrevne maskiner (uden tilslutningsledning).

#### 1. Sikkerhed i arbejdsområdet

- Sørg for, at arbejdsområdet er rent og ryddeligt.** Rodede eller uoplyste arbejdsområder øger faren for uheld.
- Brug ikke el-værktøj i eksplosionsstruede omgivelser, f.eks. hvor der er brændbare væsker, gasser eller støv.** El-værktøj kan slå gnister, der kan antænde støv eller dampe.
- Sørg for, at børn og andre personer holder sig på afstand, når el-værktøjet er i brug.** Hvis man distraheres, kan man miste kontrollen over maskinen.

#### 2. El-sikkerhed

- El-værktøjsstik skal passe til kontakten. Stikkene må under ingen omstændigheder ændres. Brug ikke adapterstik sammen med jordforbundet el-værktøj.** Uændrede stik, der passer til kontakterne, nedsætter risikoen for elektrisk stød.
- Undgå kropskontakt med jordforbundne overflader som f.eks. rør, radiatorer, komfurer og køleskabe.** Hvis din krop er jordforbundet, øges risikoen for elektrisk stød.
- El-værktøj må ikke udsættes for regn eller fugt.** Indtrængen af vand i el-værktøj øger risikoen for elektrisk stød.
- Undgå at ødelægge ledningen. Undgå at bære, trække eller afbryde el-værktøjet ved at rykke i ledningen.** Beskyt ledningen mod varme, olie, skarpe kanter eller maskindele, der er i bevægelse. Beskadigede eller indviklede ledninger øger risikoen for elektrisk stød.
- Hvis el-værktøj benyttes i det fri, skal der benyttes en forlængerledning, som er godkendt til udendørs brug.** Brug af en forlængerledning til udendørs brug nedsætter risikoen for elektrisk stød.
- Ved anvendelse af et elektrisk værktøj i områder med damp, anvend da en beskyttende afskærmning.** Denne afskærmning reducerer risikoen for elektrisk stød.

#### 3. Personlig sikkerhed

- Vær opmærksom, hold øje med, hvad du laver, og brug el-værktøjet fornuftigt.** Man bør ikke bruge maskinen, hvis man er træt, har nydt alkohol eller er påvirket af medicin eller euforiserende stoffer. Få sekunders uopmærksomhed ved brug af el-værktøjet kan føre til alvorlige personskader.
  - Anvend sikkerhedsudstyr. Bær altid beskyttelsesbriller.** Beskyttende udstyr, som en støvmaske, skridsikre sikkerhedssko, beskyttelseshjelm eller ørepropper anvendt i de rigtige betingelser reducerer ulykker.
  - Forebyg umotiveret opstart. Vær sikker på, at kontakten er slukket før du forbinder kraftkilden og/eller batteriet, løfter eller bærer værktøjet.** Hvis du bærer på værktøjet med din finger på kontakten eller starter værktøjet med kontakten slået til indbyder til ulykker.
  - Fjern indstillingsværktøj eller skruenøgle, inden el-værktøjet tændes.** Et værktøj eller en nøgle, der efterlades i en roterende del i el-værktøjet, kan resultere i personskader.
  - Overvurder ikke dig selv. Sørg for, at du altid har sikkert fodfæste og balance.** Det gør det nemmere at kontrollere el-værktøjet, hvis der skulle opstå uventede situationer.
  - Brug egnet arbejdstøj. Undgå løse beklædningsgenstande eller smykker. Hold hår, tøj og handsker væk fra dele, der bevæger sig.** Bevægelige dele kan gribe fat i løstsiddende tøj, smykker eller langt hår.
  - Hvis støvudsugnings- og opsamlingsudstyr kan monteres, er det vigtigt, at dette tilsluttes og benyttes korrekt.** Brug af støvopsamling nedsætter risikoen for personskader som følge af støv.
- #### 4. Brug og vedligeholdelse af el-værktøj
- Undgå at overbelaste el-værktøjet. Brug altid det rette el-værktøj til opgaven.** Med det rigtige el-værktøj udføres arbejdet lettere og sikrere inden for det angivne effektområde.
  - Brug ikke el-værktøjet, hvis afbryderen er defekt.** El-værktøj, der ikke kan reguleres med afbryderen, er farligt og skal repareres.
  - Træk stikket ud af stikkontakten og/eller afmonter batteriet inden indstilling, tilbehørsudskiftning eller opbevaring af el-værktøjet.** Disse sikkerhedsforanstaltninger reducerer risikoen for utilsigtet start af værktøjet.
  - Opbevar ubenyttet el-værktøj uden for børns rækkevidde. Lad aldrig personer, der ikke er fortrolige med el-værktøj, eller som ikke har gennemlæst disse instrukser, benytte maskinen.** El-værktøj er farligt, hvis det benyttes af ukyndige personer.

- e. **El-værktøj bør vedligeholdes omhyggeligt. Kontroller, om bevægelige dele er skæve og ikke sidder fast, og om delene er brækket eller beskadiget, således at el-værktøjets funktion påvirkes. Få beskadigede dele repareret, inden el-værktøjet tages i brug.** Mange uheld skyldes dårligt vedligeholdt el-værktøj.
- f. **Sørg for, at skæreværktøjer er skarpe og rene.** Omhyggeligt vedligeholdt skæreværktøjer med skarpe skærekanten sætter sig ikke så hurtigt fast og er nemmere at føre.
- g. **Brug el-værktøj, tilbehør, indsatsværktøj osv. i overensstemmelse med disse instrukser, og sådan som det kræves for denne specielle værktøjstype. Tag hensyn til arbejdsforholdene og det arbejde, der skal udføres.** I tilfælde af anvendelse af el-værktøjet til formål, som ligger uden for det fastsatte anvendelsesområde, kan der opstå farlige situationer.

## 5. Service

- a. **Sørg for, at el-værktøjet kun reparerer af kvalificerede fagfolk, og at der kun benyttes originale reservedele.** Dermed bevares el-værktøjets sikkerhed.

## Yderligere sikkerhedsadvarsler for værktøjet



**Advarsel!** Yderligere sikkerhedsadvarsler for hækkeklippere

- ◆ **Hold hænder og andre kroppsdele væk fra skæreknivene.** Fjern aldrig afskåret materiale og hold ej i materiale, der skal skæres, mens knivene bevæger sig. Sørg for, at kontakten er slukket, mens du fjerner materiale, der har sat sig fast. Få sekunders uopmærksomhed ved brug af el-værktøjet kan føre til alvorlige personskader.
- ◆ **Bær hækkeklipperen i håndtaget med standsede knive.** Når du transporterer eller opbevarer hækkeklipperen, skal du altid sætte beskytteren på den. Rigtig håndtering af hækkeklipperen reducerer risikoen for personskade fra kniven.
- ◆ **Hold kablet på afstand af skæreområdet.** Under brugen kan kablet blive gemt i buskadsset og derfor ved et uheld blive skåret over.
- ◆ Dette apparat er ikke egnet til brug for personer (inklusive børn) med manglende evner eller viden omkring produktet, med mindre de har modtaget undervisning eller instruktioner i brug af apparatet fra en person, som er ansvarlig for sikkerheden. Der skal være opsyn med børn for at sikre, at de ikke leger med værktøjet.
- ◆ Denne brugsanvisning giver en beskrivelse af de formål, som værktøjet er beregnet til. Brug af andet tilbehør eller udførelse af en anden opgave med dette værktøj end de her anbefalede kan medføre risiko for personskader og/eller skader på materiel.

- ◆ Man må ikke bære værktøjet med hænderne på knappen til det forreste håndtag eller på startknappen, med mindre batteriet er blevet fjernet.
- ◆ Hvis man aldrig har benyttet en hækkeklipper før, er det anbefalelsesværdigt at bede om praktisk hjælp fra en øvet bruger samtidig med, at denne brugervejledning skal læses.
- ◆ Man må aldrig berøre knivene, mens værktøjet er i gang.
- ◆ Man må aldrig tvinge knivene til standsning.
- ◆ Man må ikke stille værktøjet fra sig, før knivene er fuldstændigt stoppet.
- ◆ Kontrollér regelmæssigt knivene for beskadigelse og slid. Man må ikke benytte værktøjet, hvis knivene er beskadiget.
- ◆ Man skal undgå hårde genstande (f.eks. metalwirer og stakitter), når man klipper. Skulle man ved et uheld komme til at ramme en sådan genstand, skal man straks slukke for værktøjet og checke det for skader.
- ◆ Hvis værktøjet begynder at vibrere på unormal vis, skal det straks slukkes og checkes for skader.
- ◆ Hvis værktøjet går i stå, skal det straks slukkes. Batteriet skal fjernes, før man forsøger at fjerne obstruerende genstande.
- ◆ Efter brug skal den medfølgende knivbeskytter sættes over knivene. Ved opbevaring af værktøjet skal man sikre sig, at knivene ikke er fremme.
- ◆ Sørg altid for, at alle sikkerhedsanordningerne sidder fast, når værktøjet er i brug. Forsøg aldrig at bruge et ukomplet værktøj eller et værktøj, der er blevet ændret på en uautoriseret måde.
- ◆ Lad aldrig børn bruge værktøjet.
- ◆ Vær opmærksom på nedfaldende affald ved klipning af de øverste sider af hækken.
- ◆ Hold altid værktøjet med begge hænder på håndtagene.

## Andres sikkerhed

- ◆ Dette apparat er ikke egnet for at brug af personer (inklusive børn) med manglende evner eller viden omkring produktet, med mindre de har modtaget undervisning eller instruktioner i brug af apparatet fra en person, som er ansvarlig for sikkerheden.
- ◆ Der skal være opsyn med børn for at sikre, at de ikke leger med apparatet.

## Vibration

De deklarerede vibrationsemissionsværdier, som er angivet i tekniske data og overensstemmelseserklæring er blevet udmålt i overensstemmelse med en standardtestmetode foreskrevet af EN 60745 og kan anvendes til at sammenligne et værktøj med et andet. De deklarerede vibrationsemissionsværdier kan ligeledes anvendes i en præliminær undersøgelse af eksponeringen.

**Advarsel!** Vibrationsemissionsværdien under den faktiske brug af værktøjet kan variere fra den deklarerede værdi, alt efter hvilken måde værktøjet anvendes på. Vibrationerne kan nå op på et niveau over det anførte.

Når vibrationseksponeringen undersøges med det formål at fastsætte sikkerhedsforanstaltningerne ifølge 2002/44/EF for at beskytte personer, som regelmæssigt anvender værktøjer i forbindelse med deres arbejde, bør en måling af vibrationseksponeringen betænke, den måde værktøjet anvendes på inklusive alle dele af arbejds cyklussen såsom tidspunkter, hvor værktøjet er slukket eller kører i tomgang, ud over det tidsrum hvor det anvendes.

### Etiketter på værktøjet

Følgende piktogrammer ses på værktøjet:



**Advarsel!** For at mindske risikoen for skader skal brugeren læse instruktionsmanualen.



Bær altid beskyttelsesbriller og høreværn.



Man skal bruge handsker, når man arbejder med dette værktøj.



Tag øjeblikkeligt kablet ud af kontakten, hvis det bliver beskadiget eller skåret over.



Udsæt ikke værktøjet for regn eller høj fugtighed.

### El-sikkerhed



Denne maskine er dobbelt isoleret. Derfor er jordledning ikke nødvendig. Kontroller altid, at strømforsyningen svarer til spændingen på apparatets kiltet.

- ◆ Hvis el-ledningen er skadet, skal den udskiftes af producenten eller et autoriseret Black & Decker servicecenter for at undgå ulykker.

### Anvendelse af forlængerledning

Brug altid en godkendt forlængerledning, der passer til strømstikket på dette værktøj (se tekniske data). Forlængerkablet skal være velegnet til udendørs brug og afmærket som sådan. Der kan bruges op til 30 m 1,5 mm<sup>2</sup> HO5V V-F forlængerledning, uden at produktets styrke forringes. Før brug kontrolleres forlængerkablet for tegn på skader, slid og ældning. Udskift forlængerkablet, hvis den bliver beskadiget eller defekt. Ved anvendelse af en kabeltromle, skal kablet altid vindes helt ud.

### Funktioner

Dette værktøj har nogle af eller alle følgende funktioner:

1. Udløserknap
2. Knap på forreste håndtag
3. Forreste håndtag
4. Beskyttelsesskærm
5. Kniv
6. Knivbeskytter
7. Kabelfastspænding

Denne hækkeklipper har følgende praktiske funktioner:

- ◆ Ergonomisk formede håndtag til komfort ved arbejdet.
- ◆ Maskinbearbejdede blade til bedre klipning.
- ◆ Dobbelt knive for at reducere vibrationer.

### Montering

**Advarsel!** Før samling sikres, at redskabet er slukket og ikke sat til lysnettet, og at knivbeskytteren er sat på knivene.

### Påsætning af beskyttelsesskærmen (fig. A)

- ◆ Sæt beskyttelsesskærmen (4) i monteringsbeslaget (8).
- ◆ Tryk beskyttelsesskærmen in i beslaget, så det klikker på plads.

**Advarsel!** Benyt aldrig værktøjet uden beskyttelsesskærmen.

### Tilslutning af værktøjet til elnettet (fig. B)

Hvis værktøjet ikke er monteret med et strømkabel, skal der sluttes en forlængerledning til el-stikket.

- ◆ Sæt hunstikket på en egnet forlængerledning i værktøjets elstik.
- ◆ Sno kablet gennem kabelfastspændingen (7) som vist for at forhindre forlængerledningen i at løsne sig under brug.
- ◆ Indsæt stikket i stikkontakten.

**Advarsel!** Forlængerledningen skal være velegnet til udendørs brug. Ved anvendelse af en kabeltromle, skal kablet altid vindes helt ud.

### Anvendelse

**Advarsel!** Lad værktøjet arbejde i dets eget tempo. Det må ikke overbelastes.

- ◆ Før ledningen omhyggeligt for at undgå at komme til at klippe den over. Det er en god ide at styre kablet ved at tage det over skulderen.
- ◆ For brugerens sikkerhed er dette værktøj udstyret med et dobbelt kontaktsystem. Dette system modvirker, at værktøjet går i gang uden varsel. Samtidig er det kun muligt at betjene værktøjet, når man holder det med begge hænder.

## Start og stop

### Tænding

- ◆ Tag fat i det forreste håndtag (3) med en hånd, så knappen på det forreste håndtag (2) trykkes ned i redskabets hus.
- ◆ Tryk på udløserknappen (1) med den anden hånd for at starte værktøjet.

### Slukning

- ◆ Slip håndtagsknappen (2) eller udløserknappen (1).

**Advarsel!** Forsøg aldrig at fastlåse en knap, mens maskinen er tændt.

## Gode råd til optimalt brug

- ◆ Start med at klippe toppen af hækken. Vip værktøjet let (op til 15° i forhold til klippelinien) således, at knivspidserne peger let imod hækken (fig. C1). Dette gør, at knivene klipper mere effektivt. Hold værktøjet i den ønskede vinkel, og bevæg det roligt langs med klippelinien. De dobbeltsidede knive gør, at man kan klippe i begge retninger.
- ◆ For at opnå en meget lige hæk kan man trække en tråd langs med hækken i den ønskede højde. Brug tråden som en retningsssnor, og klip lige over den.
- ◆ For at opnå flade sider skal man klippe opad i vækstretningen. Yngre grene vil stikke ud, hvis man fører kniven nedad, og det vil medføre ujævne mønstre i hækken (fig. C2).
- ◆ Sørg for at undgå fremmedlegemer. Undgå især hårde genstande, f.eks. metalwirer og stakitter, idet de kan beskadige knivene.
- ◆ Smør knivene regelmæssigt.

### Hvornår skal hækken klippes?

- ◆ Generelt kan hække og buske med årsskud klippes i juni og oktober.
- ◆ Stedsegrøne planter kan klippes i april og august.
- ◆ Hurtigt voksende planter kan klippes hver 6. uge fra maj og fremover.

## Vedligeholdelse

Dit el-/batteridrevne Black & Decker apparat/værktøj er designet til at være i drift i lang tid og med minimal vedligeholdelse. Fortsat tilfredsstillende anvendelse afhænger af, at værktøjet behandles korrekt og gøres rent med regelmæssige mellemrum.

**Advarsel!** Før der udføres vedligeholdelse af el-/batteridrevne apparater:

- ◆ Sluk for apparatet/værktøjet og træk stikket ud af kontakten.
- ◆ Eller sluk og fjern batteriet fra apparatet/værktøjet, hvis apparatet/værktøjet har et separat akkumulatorbatteri.

- ◆ Aflad ellers batteri helt, hvis det er integreret, og sluk derefter.
- ◆ Tag opladeren ud af stikkontakten før rengøring. Opladeren kræver ingen anden vedligeholdelse end regelmæssig rengøring.
- ◆ Rengør regelmæssigt apparatets/værktøjets ventilationshuller og oplader med en blød børste eller en tør klud.
- ◆ Man skal regelmæssigt gøre motorhuset rent med en fugtig klud. Man må ikke bruge rensmidler med slibemidler eller opløsningsmidler.
- ◆ Man skal regelmæssigt åbne patronen og banke den let for at fjerne støv fra dens indre (når den er installeret).

## Afmontering af beskyttelseskærmen (fig. A)

**Advarsel!** Afmonter kun beskyttelseskærmen i forbindelse med service. Monter altid beskyttelseskærmen igen efter service-arbejdet.

- ◆ Sæt små stifter i hullerne (9) på hver side af beslaget (8), og træk beskyttelseskærmen (4) fremad.
- ◆ Tag stifterne af, og tag beskyttelseskærmen af værktøjet.

## Fejlfinding

Hvis værktøjet ikke fungerer korrekt, skal følgende undersøges.

Fejl	Mulig årsag	Afhjælpning
Værktøjet starter ikke.	Sikringen er sprunget. Udløst RCD (reststrømsenhed). Netledningen er ikke tilsluttet.	Udskift sikringen. Check RCD. Kontrollér strømforsyningen.

## Beskyttelse af miljøet



Separat indsamling. Dette produkt må ikke bortskaffes sammen med almindeligt husholdningsaffald.

Hvis du en dag skal udskifte dit Black & Decker produkt, eller hvis du ikke skal bruge det længere, må du ikke bortskaffe det sammen med husholdningsaffald. Dette produkt skal være tilgængeligt for separat indsamling.



Separat indsamling af brugte produkter og emballage gør det muligt at genbruge materialer. Genbrugte materialer forebygger miljøforurening og nedbringer behovet for råstoffer.

Lokale regler kan give mulighed for separat indsamling af elektriske husholdningsprodukter på kommunale lossepladser eller hos den forhandler, som du købte produktet af.

Black & Decker har en facilitet til indsamling og genbrug af Black & Decker-produkter, når deres levetid er slut. Få fordelene ved denne service ved at returnere produktet til en autoriseret tekniker, der samler værktøj sammen på vores vegne.

Du kan få oplyst den nærmeste autoriserede tekniker ved at kontakte det lokale Black & Decker-kontor på den adresse, der er angivet i denne brugsanvisning. Alternativt findes der en liste over autoriserede Black & Decker-teknikere og oplysninger om vores eftersalgsservice og kontaktpersoner på Internettet på adressen: [www.2helpU.com](http://www.2helpU.com)

#### Tekniske data

		GT90	GT100	GT110	GT115
		TYPE 3	TYPE 3	TYPE 3	TYPE 3
Spænding	V <sub>AC</sub>	230	230	230	230
Motoreffekt	W	380	400	420	420
Knivstød (uden belastning) min <sup>-1</sup>		1.900	1.900	1.900	1.900
Knivlængde	cm	42	42	50	55
Knivafstand	mm	16	16	16	16
Bremsetid	s	< 1,0	< 1,0	< 1,0	< 1,0
Vægt (uden ledning)	kg	2,2	2,2	2,3	2,4

Vibrationernes totale værdi (triax vector sum) i henhold til EN 60745:

Vibrationsudsendelsesværdi (a<sub>w</sub>) 1,9 m/s<sup>2</sup>,  
usikkerhed (K) 1,5 m/s<sup>2</sup>

## EU overensstemmelseserklæring

MASKINDIREKTIV  
DIREKTIV FOR UDENDØRSSTØJ



GT90/GT100/GT110/GT115

Black & Decker erklærer, at disse produkter, beskrevet under "tekniske data", overholder følgende:  
98/37/EF (indtil Dec. 28, 2009), 2006/42/EF  
(fra Dec. 29, 2009), EN 60745-1, EN 60745-2-15

2000/14/EF, Hækkeklipper, 1400 min<sup>-1</sup>, Annex V  
L<sub>WA</sub> (målt akustisk kraft) 96,5 dB(A)  
L<sub>WA</sub> (garanteret akustisk kraft) 99 dB(A)

Disse produkter er også i overensstemmelse med direktiv 2004/108/EF. For mere information, kontakt venligst Black & Decker på følgende adresse eller på adressen bagerst i brugsanvisningen.

Undertegnede er ansvarlig for kompilering af den tekniske fil og laver denne deklaration på vegne af Black & Decker.

Kevin Hewitt

Vice-President Global Engineering  
Black & Decker Europe, 210 Bath Road, Slough,  
Berkshire, SL1 3YD  
Storbritannien  
8-9-2009

## Reserve dele / reparationer

Reserve dele kan købes hos autoriserede Black & Decker serviceværksteder, som giver forslag til omkostninger og reparerer vore produkter. Oversigt over vore autoriserede værksteder findes på internettet på vor hjemmeside [www.blackanddecker.dk](http://www.blackanddecker.dk) samt [www.2helpU.com](http://www.2helpU.com)

## Garanti

Black & Decker garanterer, at produktet er fri for materielle skader og/eller fabriktionsfejl ved levering til kunden. Garantien er et tillæg til konsumentens lovlige rettigheder og påvirker ikke disse. Garantien gælder indenfor medlemsstaterne af den Europæiske Union og i det Europæiske Frihandelsområde.

Hvis et Black & Decker produkt går i stykker på grund af materiel skade og/eller fabriktionsfejl eller på anden måde ikke fungerer i overensstemmelse med specifikationen, inden for 24 måneder fra købsdatoen, påtager Black & Decker sig at reparere eller ombytte produktet med mindst muligt besvær for kunden.

Garantien gælder ikke for fejl og mangler, der er sket i forbindelse med:

- ◆ normal slitage
- ◆ uheldige følger efter unormal anvendelse af værktøjet
- ◆ overbelastning, hærværk eller overdrevent intensivt brug af værktøjet
- ◆ ulykkehændelse

Garantien gælder ikke hvis reparationer er udført af nogen anden end et autoriseret Black & Decker værksted.

For at udnytte garantien skal produktet og købskvitteringen indleveres til forhandleren eller til et autoriseret værksted, senest 2 måneder efter at fejlen opdages. For information om nærmeste autoriserede værksted: kontakt det lokale Black & Decker kontor på den adresse som er opgivet i brugsanvisningen. Liste over alle autoriserede Black & Decker serviceværksteder samt servicevilkår er tilgængelig på internettet, på adressen **[www.2helpU.com](http://www.2helpU.com)**

Gå venligst ind på vores website **[www.blackanddecker.dk](http://www.blackanddecker.dk)** for at registrere dit nye produkt og for at blive holdt ajour om nye produkter og specialtilbud. Der findes yderligere oplysninger om mærket Black & Decker og vores produktsortiment på adressen **[www.blackanddecker.dk](http://www.blackanddecker.dk)**



## Käyttötarkoitus

Black & Deckerin pensasleikkuri on suunniteltu pensasaitojen ja pensaiden leikkaamiseen. Kone on tarkoitettu kotikäyttöön.

## Turvaohjeet

### Yleiset sähkötyökalujen turvallisuusohjeet



**Varoitus! Kaikki ohjeet täytyy lukea.** Alla olevien ohjeiden noudattamisen laiminlyönti saattaa johtaa sähköiskuun, tulipaloon ja/tai vakavaan loukkaantumiseen.

**Säilytä nämä ohjeet hyvin.** Seuraavassa käytetty käsite "sähkötyökalu" käsittää verkkokäyttöiset sähkötyökalut (verkkojohdolla) ja paristokäyttöiset sähkötyökalut (ilman verkkojohtoa).

#### 1. Työpisteen turvallisuus

- Pidä työskentelyalue puhtaana ja hyvin valaistuna.** Epäjärjestyksessä olevilla ja valaisemattomilla työalueilla voi tapahtua tapaturmia.
- Älä työskentele sähkötyökalulla räjähdysalttiissa ympäristössä, jossa on palavaa nestettä, kaasua tai pölyä.** Sähkötyökalu muodostaa kipinöitä, jotka saattavat sytyttää pölyn tai höyryt.
- Pidä lapset ja sivulliset loitolla sähkötyökalua käyttäessäsi.** Voit menettää laitteesi hallinnan huomiosi suuntautuessa muualle.

#### 2. Sähköturvallisuus

- Sähkötyökalun pistotulpan tulee sopia pistorasiaan. Pistotulppaa ei saa muuttaa millään tavalla. Älä käytä minkäänlaisia sovintipistokkeita maadoitettujen sähkötyökalujen kanssa.** Alkuperäisessä tilassa olevat pistotulpat ja sopivat pistorasiat vähentävät sähköiskun vaaraa.
- Vältä koskettamasta maadoitettuja pintoja, kuten putkia, pattereita, liesiä tai jääkaappeja.** Sähköiskun vaara kasvaa, jos kehosi on maadoitettu.
- Älä altista sähkötyökalua sateelle tai kosteudelle.** Veden tunkeutuminen sähkötyökalun sisään kasvattaa sähköiskun riskiä.
- Älä käytä verkkojohtoa väärin. Älä käytä sitä sähkötyökalun kantamiseen, vetämiseen tai pistotulpan irrottamiseen pistorasiasta. Pidä johto loitolla kuumuudesta, öljystä, terävistä reunoista ja liikkuvista osista.** Vahingoittuneet tai sokeutuneet johdot kasvattavat sähköiskun vaaraa.
- Käyttäessäsi sähkötyökalua ulkona, käytä ainoastaan ulkokäyttöön soveltuvaa jatkojohtoa.** Ulkokäyttöön soveltuvan jatkojohdon käyttö pienentää sähköiskun vaaraa.

- Jos sähkötyökalua joudutaan käyttämään kosteassa ympäristössä, käytä aina jäännösvirtalaitteella (RCD) suojattua virtälähdettä.** Jäännösvirtalaitteen käyttö vähentää sähköiskun vaaraa.

#### 3. Henkilöturvallisuus

- Ole valpas, kiinnitä huomiota työskentelyysi ja noudata tervettä järkeä sähkötyökalua käyttäessäsi. Älä käytä sähkötyökalua, jos olet väsynyt tai huumeiden, alkoholin tai lääkkeiden vaikutuksen alaisena.** Hetken tarkkaamattomuus sähkötyökalua käytettäessä saattaa johtaa vakavaan loukkaantumiseen.
- Käytä suojarusteita. Käytä aina suojalaseja.** Suojarusteet, kuten pölynsuojanaamari, luistamattomat turvajalkineet, kypärä ja kuulosuojaimet pienentävät, tilanteen mukaan oikein käytettyinä, loukkaantumisriskiä.
- Vältä sähkötyökalun tahatonta käynnistämistä. Varmista, että käynnistyskytkin on asennossa "off", ennen kuin kytket pistotulpan pistorasiaan tai kannat sähkötyökalua.** Jos kannat sähkötyökalua sormi käynnistyskytkimellä tai kytket sähkötyökalun pistotulpan pistorasiaan, käynnistyskytkimen ollessa käyntiasennossa, altistat itsesi onnettomuuksille.
- Poista kaikki säätötyökalut ja ruuvitaltat, ennen kuin käynnistät sähkötyökalun.** Laitteen pyöriivään osaan jäänyt työkalu tai avain saattaa johtaa loukkaantumiseen.
- Älä kurkota. Seiso aina tukevasti ja tasapainossa.** Täten voit paremmin hallita sähkötyökalua odottamattomissa tilanteissa.
- Käytä tarkoitukseen soveltuvia vaatteita. Älä käytä löysiä työvaatteita tai koruja. Pidä hiukset, vaatteet ja käsineet loitolla liikkuvista osista.** Väljät vaatteet, korut ja pitkät hiukset voivat takertua liikkuviin osiin.
- Jos polynimu- ja keräilylaitteita voidaan asentaa työkaluun, sinun pitää tarkistaa, että ne on liitetty ja että niitä käytetään oikealla tavalla.** Näiden laitteiden käyttö vähentää pölyn aiheuttamia vaaroja.

#### 4. Sähkötyökalujen käyttö ja hoito

- Älä ylikuormita sähkötyökalua. Käytä kyseiseen työhön tarkoitettua sähkötyökalua.** Sopivaa sähkötyökalua käyttäen työskentelet paremmin ja varmemmin tehoalueella, jolle sähkötyökalu on tarkoitettu.
- Älä käytä sähkötyökalua, jota ei voida käynnistää ja pysäyttää virtakytkimestä.** Sähkötyökalu, jota ei enää voida käynnistää ja pysäyttää käynnistyskytkimellä, on vaarallinen ja se täytyy korjata.
- Irrota pistotulppa pistorasiasta, ennen kuin suoritat säätöjä, vaihdat tarvikkeita tai siirät sähkötyökalun varastoitavaksi.** Nämä turvatoimenpiteet laskevat sähkötyökalun tahatonta käynnistysriskiä.

- d. Säilytä sähkötyökalut poissa lasten ulottuvilta, kun niitä ei käytetä. Älä anna sellaisten henkilöiden käyttää sähkötyökalua, jotka eivät tunne sitä tai jotka eivät ole lukeneet tätä käyttöohjetta. Sähkötyökalut ovat vaarallisia, jos niitä käyttävät kokemattomat henkilöt.
- e. Hoida sähkötyökalusi huolella. Tarkista, että liikkuvat osat toimivat moitteettomasti, eivätkä ole puristuksessa ja että työkalussa ei ole murtuneita tai vahingoittuneita osia, jotka saattaisivat vaikuttaa haitallisesti sen toimintaan. Korjauta mahdolliset viat ennen käyttöönottoa. Moni tapaturma aiheutuu huonosti huolletuista laitteista.
- f. Pidä leikkausterät terävinä ja puhtaina. Huolellisesti hoidetut leikkaustyökalut, joiden terät ovat teräviä, eivät tartu helposti kiinni ja niitä on helpompi hallita.
- g. Käytä sähkötyökaluja, tarvikkeita, vaihtotyökaluja jne. näiden ohjeiden mukaisesti. Ota tällöin huomioon työolosuhteet ja suoritettava toimenpide. Sähkötyökalun käyttö muuhun kuin tarkoituksenmukaiseen käyttöön saattaa johtaa vaarallisiin tilanteisiin.

## 5. Huolto

- a. Anna koulutettujen ammattitaitoisten henkilöiden korjata sähkötyökalusi ja hyväksy korjauksiin vain alkuperäisiä varaosia. Täten varmistat, että sähkötyökalu säilyy turvallisena.

## Sähkötyökalujen lisäturvallisuusohjeet



**Varoitus!** Pensasleikkurin lisäturvallisuusohjeet

- ◆ **Pidä kaikki vartalosi osat etäällä leikkausterästä.** Älä poista leikkattavaa materiaalia tai pidä leikkavasta materiaalista kiinni silloin, kun leikkausterät liikkuvat. Varmista, että kone on kytketty pois päältä kiinni juuttunutta materiaalia poistaessa. Hetken tarkkaamattomuus sähkötyökalua käytettäessä saattaa johtaa vakavaan loukkaantumiseen.
- ◆ **Kuljeta pensasleikkuria sen kahvasta leikkausterän ollessa pysähtynyt.** Aseta pensasleikkurin teräsuojus paikoilleen aina sen varastoinnin ja kuljetuksen ajaksi. Pensasleikkurin virheetön käsittely vähentää leikkausterien muodostamaa henkilövahinkovaaraa.
- ◆ **Pidä johto pois leikkausalueelta.** Käytön aikana johto voi piiloutua pensasiin ja kahva voidaan vahingossa leikata.
- ◆ **Henkilöt (lapset mukaan lukien), joilla on fyysisiä, tunnollisia tai henkisiä rajoituksia tai rajallinen kokemus ja tuntemus, eivät saa käyttää tätä laitetta ellei heidän turvallisuudesta vastaava henkilö valvo tai ohjaa heitä laitteen käytössä.** Lapsia on valvottava, etteivät he leiki koneen kanssa.

- ◆ **Käyttö, johon työkalu on tarkoitettu, on kuvattu tässä käyttöohjeessa.** Käytä vain käyttöohjeessa ja tuotekuvastossa suositeltuja tarvikkeita ja lisälaitteita. Ohjeesta poikkeava käyttö voi aiheuttaa onnettomuuden ja/tai aineellisia vahinkoja.
- ◆ **Älä kanna konetta kädet etumaisella turvavirrankatkaisijalla tai virrankatkaisijalla, ellei akkua ole poistettu.**
- ◆ **Ellet ole käyttänyt pensasleikkuria aikaisemmin suosittelemme, että pyydät käytännön neuvoja tottuneelta käyttäjältä sekä luet käyttöohjeen tarkasti.**
- ◆ **Älä koskaan kosketa terää, kun kone on käynnissä.**
- ◆ **Älä koskaan pakota terä pysähtymään.**
- ◆ **Älä aseta konetta maahan ennen kuin terät ovat täysin pysähtyneet.**
- ◆ **Tarkista säännöllisesti, ovatko terät vaurioituneet tai kuluneet.** Älä käytä konetta, mikäli terät ovat vialliset.
- ◆ **Varo kovia esineitä (esim. metallilankaa, kaiteita) leikatessasi.** Mikäli osut vahingossa tällaiseen esineeseen, sammuta kone välittömästi ja tarkista mahdolliset vahingot.
- ◆ **Mikäli kone alkaa tärästä epätavallisesti, sammuta se välittömästi ja tarkista mahdolliset vahingot.**
- ◆ **Mikäli kone jumiuu, pysäytä se välittömästi.** Poista akku ennen kuin yrität poistaa tukkeutumia.
- ◆ **Aseta koneeseen kuuluva teränsuojus paikoilleen käytön jälkeen.** Säilytä konetta siten, että terä ei ole näkyvillä.
- ◆ **Varmista aina, että kaikki suojat ovat paikallaan konetta käytettäessä.** Älä koskaan käytä konetta, jonka kaikki osat eivät ole oikein paikallaan tai johon on tehty muutoksia jonkun muun kuin valtuutetun huoltoliikkeen toimesta.
- ◆ **Älä koskaan anna lasten käyttää konetta.**
- ◆ **Varo tippuvaa roskaa, kun leikkaat pensasaidan korkeampaa puolta.**
- ◆ **Pidä aina kiinni koneen kahvoista molemmin käsin.**

## Muiden turvallisuus

- ◆ **Henkilöt (lapset mukaan lukien), joilla on fyysisiä, tunnollisia tai henkisiä rajoituksia tai rajallinen kokemus ja tuntemus, eivät saa käyttää tätä laitetta ellei heidän turvallisuudesta vastaava henkilö valvo tai ohjaa heitä laitteen käytössä.**
- ◆ **Lapsia on valvottava, etteivät he leiki koneen kanssa.**

## Tärinä

Käyttöohjeen teknisissä tiedoissa ja vaatimustenmukaisuusvakuutuksessa ilmoitetut tärinän päästöarvot on mitattu EN 60745-normin vakioiden testimenetelmän mukaisesti ja niitä voidaan käyttää työkalun vertaamisessa toiseen. Ilmoitettua tärinän päästöarvoa voidaan myös käyttää altistumisen arviointiin ennakkolta.

**Varoitus!** Sähkötyökalun tärinän päästöarvo voi varsinaisen käytön aikana poiketa ilmoitetusta arvosta riippuen siitä, millä tavalla työkalua käytetään. Tärinän taso voi kohota ilmoitetun tason yläpuolelle.

Kun tärinälle altistumista arvioidaan, jotta voidaan määrittää 2002/44/EY-direktiivin edellyttämät turvatoimenpiteet säännöllisesti sähkötyökaluja työssä käyttävien henkilöiden suojelemiseksi, tärinälle altistumisen arvion tulee ottaa huomioon varsinaiset käyttöolosuhteet ja työkalun käyttötavan, johon sisältyy kaikkien käyttöjakson osien huomioon ottaminen, kuten ajat, jolloin työkalu on pois päältä tai kun se käy joutokäyntiä sekä käynnistysajan.

## Koneessa olevat merkit

Koneessa on seuraavat kuvakemerkinnät:



**Varoitus!** Loukkaantumisen vaaran ehkäisemiseksi käyttäjän on luettava käyttöohjeet.



Käytä aina suojalaseja ja kuulosuojaimia.



Käytä työhanskaita konetta käyttäessäsi.



Irrota pistoke virtalähteestä heti, jos johto on vioittunut.



Älä altista konetta sateelle tai kosteudelle.

## Sähköturvallisuus



Tämä laite on kaksoiseristetty; siksi erillistä maadoitusta ei tarvita. Tarkista aina, että virtalähde vastaa arvokilvessä ilmoitettua jännitettä.

- ◆ Jos sähköjohto on vaurioitunut, se saadaan vaihtaa vain valtuutetussa Black & Deckerin huoltoliikkeessä vaaratilanteiden välttämiseksi.

## Jatkojohdon käyttö

Käytä aina oikeanlaista jatkojohtoa, joka sopii tämän koneen virransyöttöliitäntään (katso tekniset tiedot). Jatkojohdon tulee olla ulkokäyttöön tarkoitettu ja merkitty myös siten. Jopa 30 m:n pituisia jatkojohtoa (1,5 mm<sup>2</sup>, HO5V V-F) voidaan käyttää tehon vähenemättä. Tarkista jatkojohto ennen käyttöä vaurioiden, vanhenemisen tai kulumisen varalta.

Vaihda vaurioitunut tai viallinen sähköjohto. Jos käytät jatkojohtokelaa, kelaa johto aina täysin auki.

## Ominaisuudet

Tällä koneella on kaikki tai joitakin seuraavista ominaisuuksista.

1. Virrankatkaisija
2. Etumainen turvavirrankatkaisija
3. Etukahva
4. Suoja
5. Terä
6. Teränsuojus
7. Johtopidätin

Tässä pensasleikkurissa on seuraavat edut:

- ◆ Ergonomiset kädensijat parantavat leikkuumukavuutta.
- ◆ Koneistetut terät parantavat leikkujälkeä.
- ◆ Kaksitoimiset terät vähentävät tärinää.

## Kokoaminen

**Varoitus!** Ennen kokoamista varmista, että kone on pois päältä eikä sitä ole liitetty virtalähteeseen. Varmista lisäksi, että teränsuojus on terien päällä.

## Suojan kiinnittäminen (kuva A)

- ◆ Asenna suojus (4) asennuskiinnikkeeseen (8).
- ◆ Paina suojaa kiinnikkeeseen, kunnes se napsahtaa paikalleen.

**Varoitus!** Älä koskaan käytä konetta, jos suoja ei ole paikallaan.

## Koneen liittäminen verkkovirtaan (kuva B)

Jos koneeseen ei ole asennettu virtajohtoa, virransyöttöliitäntään täytyy liittää jatkojohto.

- ◆ Kiinnitä sopivan jatkojohdon naarasliitin työkalun virransyöttöliitäntään.
- ◆ Laita johto lenkille johtopidätimen (7) läpi kuten kuvassa, jotta jatkojohto ei pääse irtomaan käytön aikana.
- ◆ Kytke pistoke virtalähteeseen.

**Varoitus!** Jatkojohdon tulee olla ulkokäyttöön tarkoitettu. Jos käytät jatkojohtokelaa, kelaa johto aina täysin auki.

## Käyttö

**Varoitus!** Anna koneen käydä omaan tahtiinsa.

Älä ylikuormita sitä.

- ◆ Käsittele johtoa huolellisesti, jottet vaurioita sitä vahingossa. Hyvä tapa käsitellä johtoa on laittaa se kulkemaan olkapään yli.
- ◆ Turvallisuussyistä työkalussa on kaksoisvirrankatkaisija. Tällä tavoin estetään työkalun käynnistyminen vahingossa, ja sitä voidaan käyttää vain pitämällä kiinni molemmiin käsiin.

## Käynnistys ja pysäytys

### Työkalun käynnistys

- ◆ Ota kiinni etukahvasta (3) yhdellä kädellä niin, että etukahvan kytkin (2) työntyy työkalun runkoon.
- ◆ Käynnistä työkalu puristamalla liipaisinkytkintä (1) toisella kädellä.

### Työkalun pysäytys

- ◆ Päästä irti turvavirranksaisijasta (2) tai virranksaisijasta (1).

**Varoitus!** Älä koskaan yritä lukita virranksaisijaa käynnistysasentoon.

### Vinkkejä parhaimman tuloksen saamiseksi

- ◆ Aloita leikkaaminen pensaan yläreunasta. Kallista työkalua hiukan (korkeintaan 15° kulmaan leikkauslinjaan nähden) niin, että terän kärjet osoittavat pensasta kohden (kuva C1). Tällä tavoin terät leikkaavat tehokkaammin. Pidä työkalua halutussa kulmassa ja liikuta sitä rauhallisesti ja tasaisesti leikkauslinjaa pitkin. Kaksipuolisesti leikkaavat terät sallivat leikkaamisen molempiin suuntiin.
- ◆ Jotta leikkausjälki olisi mahdollisimman suora, pensasaidan koko pituudelle voidaan pingottaa naru halutulle korkeudelle. Käytä narua viitelinjana ja leikkaa juuri sen yläpuolelta.
- ◆ Jotta sivuista tulisi tasaisia, leikkaa alhaalta ylöspäin siihen suuntaan, mihin pensas kasvaa. Nuoret oksat kallistuvat ulospäin, jos leikkaat ylhäältä alaspäin. Tämä aiheuttaa aukkoja pensasaitaan (kuva C2).
- ◆ Ole varovainen; vältä kaikkia asiaankuulumattomia esineitä. Vältä erityisesti kovia esineitä, kuten metalliankaa tai aitoja; nämä voivat vahingoittaa teriä.
- ◆ Voitele terät säännöllisesti.

## Huolto

Black & Deckerin langallinen/langaton laite/työkalu on suunniteltu toimimaan mahdollisimman pitkän aikaa mahdollisimman vähällä huollolla. Asianmukainen käyttö ja säännönmukainen puhdistus takaavat laitteen jatkuvan tydyttävän toiminnan.

**Varoitus!** Ennen langallisen/langattoman työkalun huoltoa:

- ◆ Kytke laite/työkalu pois päältä ja irrota pistoke pistorasiasta.
- ◆ Tai kytke laite pois päältä ja irrota akku laitteesta/työkalusta, jos laitteessa/työkalussa on erillinen akku.
- ◆ Tai kuluta akku kokonaan loppuun, jos akku on integroitu laitteeseen ja kytke laite sen jälkeen pois päältä.
- ◆ Irrota laturi virtalähteestä ennen puhdistamista. Laturi ei tarvitse säännöllisen puhdistamisen lisäksi mitään muuta huoltoa.
- ◆ Puhdista työkalun/laitteen/laturin tuuletusaukot säännöllisesti pehmeällä harjalla tai kuivalla siivousliinalla.

- ◆ Puhdista työkalun kuori säännöllisesti kostealla siivousliinalla. Älä koskaan käytä puhdistamiseen liuotainaineita tai syövyttäviä puhdistusaineita.
- ◆ Avaa istukka säännöllisin väliajoin ja kopauta sitä pölyjen poistamiseksi sisältä (jos asennettu).

## Suojan irrottaminen (kuva A)

**Varoitus!** Poista suoja vain huoltoa varten. Asenna suoja aina takaisin huollon jälkeen.

- ◆ Työnnä pienet neulat reikiin (9), jotka ovat kiinnikkeen (8) kummallakin puolella, ja vedä suoja (4) eteenpäin.
- ◆ Irrota neulat ja irrota suoja sitten työkalusta.

## Vianmääritys

Jos työkalu ei toimi oikein, tarkista seuraavat seikat.

Vika	Mahdollinen syy	Toimenpide
Työkalu ei käynnisty	Sulake palanut. Maadoituskytkin on lauennut. Virtajohto ei ole kytketty.	Vaihda sulake. Nollaa maadoituskytkin. Tarkista virransaanti.

## Ympäristö



Erillinen keräys. Tätä tuotetta ei saa hävittää normaalin kotitalousjätteen kanssa.

Kun Black & Decker -koneesi on käytetty loppuun, älä hävitä sitä kotitalousjätteen mukana. Tämä tuote on kerättävä erikseen.



Käytettyjen tuotteiden ja pakkausten erillinen keräys mahdollistaa materiaalien kierrätyksen ja uudelleenkäytön. Kierrätettyjen materiaalien uudelleenkäyttö auttaa ehkäisemään ympäristön saastumisen ja vähentää raaka-aineiden kysyntää.

Paikallisten säännösten mukaisesti on mahdollista viedä kotitalouksien sähkölaitteet kuntien kaatopaikoille tai jättää ne vähittäismyyjälle ostettaessa uusi tuote.

Black & Decker tarjoaa mahdollisuuden Black & Decker -tuotteiden keräykseen ja kierrätykseen sen jälkeen, kun ne on poistettu käytöstä. Jotta voisit hyötyä tästä palvelusta, palauta laitteesi johonkin valtuutettuun huoltoliikkeeseen, joka kerää laitteet meidän puolestamme.

Voit tarkistaa lähimmän valtuutetun huoltoliikkeen sijainnin ottamalla yhteyden Black & Deckerin toimistoon, joka sijaitsee tässä käsikirjassa annetussa osoitteessa. Lista valtuutetuista Black & Decker -huoltoliikkeistä sekä yksityiskohtaiset tiedot korjauspalvelustamme ovat vaihtoehtoisesti saatavilla Internetissä, osoitteessa [www.2helpU.com](http://www.2helpU.com)

## Tekniset tiedot

		GT90 TYPE 3	GT100 TYPE 3	GT110 TYPE 3	GT115 TYPE 3
Jännite	V <sub>AC</sub>	230	230	230	230
Ottoteho	W	380	400	420	420
Leikkuliikkeitä (kuormittamaton)	min <sup>-1</sup>	1.900	1.900	1.900	1.900
Terän pituus	cm	42	42	50	55
Hammassväli	mm	16	16	16	16
Terän pysähdysaika	s	< 1,0	< 1,0	< 1,0	< 1,0
Paino (ilman virtajohtoa)	kg	2,2	2,2	2,3	2,4

Tärinän kokonaisarvot (kolmiaks. vektorisumma) EN 60745:n mukaisesti:

Tärinän päästöarvo (a<sub>h</sub>) 1,9 m/s<sup>2</sup>, epävarmuus (K) 1,5 m/s<sup>2</sup>

## EU-vaatimustenmukaisuusvakuutus

KONEDIREKTIIVI  
ULKOILMAMELUDIREKTIIVI



GT90/GT100/GT110/GT115

Black & Decker julistaa, että kohdassa "tekniset tiedot" kuvatut tuotteet noudattavat seuraavia:

98/37/EY (28 Jouluk., 2009 asti), 2006/42/EY  
(29 Jouluk., 2009 alkaen), EN 60745-1, EN 60745-2-15

2000/14/EY, Pensasleikkuri, 1400 min<sup>-1</sup>, Liite V

L<sub>WA</sub> (mitattu ääniteho) 96,5 dB(A)

L<sub>WA</sub> (taattu ääniteho) 99 dB(A)

Nämä tuotteet ovat myös direktiivin 2004/108/EY mukaisia.

Lisätietoja saa Black & Decker -yhtiöltä seuraavasta osoitteesta tai käyttöoppaan takana olevia yhteistietoja käyttäen.

Allekirjoittava henkilö on vastuussa teknisen tiedoston täyttämisestä ja tekee tämän ilmoituksen Black & Decker -yhtiön puolesta.

Kevin Hewitt  
Vice-President Global Engineering  
Black & Decker Europe, 210 Bath Road, Slough,  
Berkshire, SL1 3YD  
Iso-Britannia  
8-9-2009

## Korjaukset / varaosat

Mikäli koneeseen tulee vikaa, jätä se aina Black & Deckerin valtuuttamaan huoltoliikkeeseen korjattavaksi.

Varaosia myyvät valtuutetut Black & Deckerin huoltoliikkeet, ja heiltä voi myös pyytää kustannusarvion koneen korjauksesta.

Tiedot valtuutetuista huoltoliikkeistä löytyvät internetistä osoitteesta [www.2helpU.com](http://www.2helpU.com) sekä kotisivuiltamme [www.blackanddecker.fi](http://www.blackanddecker.fi)

## Takuu

Black & Decker Oy takaa, ettei koneessa ollut materiaali- ja/tai valmistusvikaa silloin, kun se toimitettiin ostajalle. Takuu on lisäys kuluttajan laillisiin oikeuksiin eikä vaikuta niihin. Takuu on voimassa Euroopan Unionin jäsenmaissa ja Euroopan vapaakauppa-alueella (EFTA).

Mikäli Black & Decker -kone hajoaa materiaali- ja/tai valmistusvirheen tai teknisten tietojen epätarkkuuden vuoksi 24 kk:n kuluessa ostopäivästä, Black & Decker korjaa koneen ilman kustannuksia ostajalle tai vaihtaa sen uuteen Black & Decker Oy:n valinnan mukaan.

Takuu ei kata vikoja, jotka johtuvat koneen

- ◆ normaalista kulumisesta
- ◆ ylikuormituksesta, virheellisestä käytöstä tai hoidosta
- ◆ vahingoittamisesta vieraalla esineellä tai aineella tai onnettomuustapauksessa.

Takuu ei ole voimassa, mikäli konetta on korjannut joku muu kuin Black & Deckerin valtuuttama huoltoliike.

Edellytyksenä takuun saamiselle on, että ostaja jättää koneen ja ostokuitin jälleenmyyjälle tai valtuutetulle huoltoliikkeelle viimeistään 2 kuukauden kuluessa vian ilmenemisestä.

Tiedot valtuutetuista huoltoliikkeistä saa ottamalla yhteyttä Black & Decker Oy:hyn sekä internetistä osoitteesta [www.2helpU.com](http://www.2helpU.com), jossa on myös takuehdot.

Voit vierailla verkkosivullamme [www.blackanddecker.fi](http://www.blackanddecker.fi) rekisteröidäksesi uuden Black & Decker-tuotteesi ja saadaksesi tietoa uusista tuotteista ja erikoistarjouksista. Saat lisätietoja Black & Deckerin tavaramerkistä ja tuotevalikoimastamme osoitteesta [www.blackanddecker.fi](http://www.blackanddecker.fi)

## Ενδεξιμένη χρήση

Το εργαλείο κλαδέματος θάμνων της Black & Decker έχει σχεδιαστεί για το κλάδεμα θάμνων, φρύγανων και βάτων. Αυτό το εργαλείο προορίζεται μόνο για ερασιτεχνική χρήση.

## Οδηγίες ασφαλείας

### Γενικές προειδοποιήσεις ασφαλείας για ηλεκτρικά εργαλεία



**Προσοχή!** Διαβάστε όλες τις προειδοποιήσεις ασφαλείας και όλες τις οδηγίες. Η μη τήρηση των παρακάτω προειδοποιήσεων και οδηγιών μπορεί να προκαλέσει ηλεκτροπληξία, πυρκαγιά ή/και σοβαρούς τραυματισμούς.

**Αποθηκεύστε όλες τις προειδοποιήσεις και οδηγίες για μελλοντική αναφορά.** Ο χαρακτηρισμός "ηλεκτρικό εργαλείο" που χρησιμοποιείται στις παρακάτω προειδοποιητικές υποδείξεις αφορά ή το εργαλείο που συνδέεται στην πρίζα (με καλώδιο) ή το εργαλείο που λειτουργεί με μπαταρία (χωρίς καλώδιο).

#### 1. Ασφάλεια χώρου εργασίας

- a. **Διατηρείτε το χώρο που εργάζεστε καθαρό και καλά φωτισμένο.** Η αβία στο χώρο που εργάζεστε και τα σημεία χωρίς καλό φωτισμό μπορεί να οδηγήσουν σε ατυχήματα.
- b. **Μη χρησιμοποιείτε τα ηλεκτρικά εργαλεία σε περιβάλλον όπου υπάρχει κίνδυνος έκρηξης, π.χ. παρουσία εύφλεκτων υγρών, αερίων ή σκόνης.** Τα ηλεκτρικά εργαλεία μπορεί να δημιουργήσουν σπινθηρισμό ο οποίος μπορεί να αναφλέξει τη σκόνη ή τις αναθυμιάσεις.
- c. **Όταν χρησιμοποιείτε το ηλεκτρικό εργαλείο, κρατάτε τα παιδιά και τα υπόλοιπα άτομα μακριά από το χώρο που εργάζεστε.** Σε περίπτωση που άλλα άτομα αποσπάσουν την προσοχή σας μπορεί να χάσετε τον έλεγχο του μηχανήματος.

#### 2. Ασφαλής χρήση του ηλεκτρικού ρεύματος

- a. **Το φως του καλωδίου του ηλεκτρικού εργαλείου πρέπει να ταιριάζει στην αντίστοιχη πρίζα.** Δεν επιτρέπεται με κανένα τρόπο η μετασκευή του φως. Μη χρησιμοποιείτε προσαρμοστικά φως στα γειωμένα ηλεκτρικά εργαλεία. Τα φως που δεν έχουν υποστεί τροποποιήσεις και οι κατάλληλες πρίζες μειώνουν τον κίνδυνο ηλεκτροπληξίας.
- b. **Αποφεύγετε την επαφή του σώματός σας με γειωμένες επιφάνειες όπως σωλήνες, θερμαντικά σώματα (καλοριφέρ), κουζίνες και ψυγεία.** Όταν το σώμα σας είναι γειωμένο, αυξάνεται ο κίνδυνος ηλεκτροπληξίας.

- c. **Μην εκθέτετε το ηλεκτρικό εργαλείο στη βροχή ή την υγρασία.** Η διείσδυση νερού στο ηλεκτρικό εργαλείο αυξάνει τον κίνδυνο ηλεκτροπληξίας.
- d. **Μην κακομεταχειρίζεστε το καλώδιο. Μη χρησιμοποιήσετε ποτέ το καλώδιο για να μεταφέρετε, να τραβήξετε ή να αποσυνδέσετε το εργαλείο από την πρίζα. Κρατάτε το καλώδιο μακριά από υψηλές θερμοκρασίες, λάδια, κοφτερές ακμές ή κινούμενα εξαρτήματα.** Τυχόν χαλασμένα ή μπερδεμένα καλώδια αυξάνουν τον κίνδυνο ηλεκτροπληξίας.
- e. **Όταν χρησιμοποιείτε το ηλεκτρικό εργαλείο σε εξωτερικούς χώρους, να χρησιμοποιείτε πάντοτε προεκτάσεις (μπαλαντζές) που έχουν εγκριθεί για χρήση σε εξωτερικούς χώρους.** Η χρήση προεκτάσεων εγκεκριμένων για εργασία σε εξωτερικούς χώρους μειώνει τον κίνδυνο ηλεκτροπληξίας.
- f. **Αν η χρήση του εργαλείου σε μια βρεγμένη περιοχή δεν είναι απόφευκτη, χρησιμοποιήστε μια συσκευή κατάλοιπου ρεύματος (RCD) προστατευόμενης παροχής.** Η χρήση μιας RCD μειώνει τον κίνδυνο ηλεκτροπληξίας.

#### 3. Ασφάλεια προσώπων

- a. **Όταν χρησιμοποιείτε το ηλεκτρικό εργαλείο, να είστε προσεκτικοί, να δίνετε προσοχή στην εργασία που κάνετε και να επιστρατεύετε την κοινή λογική. Μη χρησιμοποιείτε το ηλεκτρικό εργαλείο όταν είστε κουρασμένοι ή όταν βρίσκεστε υπό την επίρρηση ναρκωτικών, οινοπνεύματος ή φαρμάκων.** Μια στιγμή αμέλειας απροσεξίας κατά το χειρισμό του ηλεκτρικού εργαλείου μπορεί να οδηγήσει σε σοβαρούς τραυματισμούς.
- b. **Χρησιμοποιήστε προσωπικό εξοπλισμό τραυματισμού. Να φοράτε πάντα προστατευτικά γυαλιά.** Ο προστατευτικός εξοπλισμός όπως μάσκα σκόνης, υποδήματα ασφαλείας κατά το γλίστρημα, σκληρό καπέλο, ή προστασία ακοής για τις κατάλληλες συνθήκες θα μειώσουν τους σωματικούς τραυματισμούς.
- c. **Να αποφεύγετε την εκκίνηση κατά λάθος. Επιβεβαιωθείτε ότι ο διακόπτης είναι στην θέση off πριν συνδέσετε την παροχή ρεύματος και/ή τη μπαταρία, πριν πιάσετε ή μεταφέρετε το εργαλείο.** Η μεταφορά εργαλείων με το δάχτυλο στον διακόπτη ή η ενεργοποίηση εργαλείων με τον διακόπτη στη θέση on μπορεί να οδηγήσει σε ατυχήματα.
- d. **Πριν θέσετε το ηλεκτρικό εργαλείο σε λειτουργία, αφαιρέστε τυχόν εργαλεία ή κλειδιά ρύθμισης.** Ενα εργαλείο ή κλειδί συναρμολογημένο στο περιστρεφόμενο εξάρτημα ενός ηλεκτρικού εργαλείου μπορεί να προκαλέσει τραυματισμούς.



- e. Μην τεντώνεστε. Φροντίστε πάντοτε να έχετε την κατάλληλη στάση και να διατηρείτε την ισορροπία σας. Αυτό σας επιτρέπει τον καλύτερο έλεγχο του ηλεκτρικού εργαλείου σε περιπτώσεις απροσδόκητων καταστάσεων.
- f. Φοράτε κατάλληλη ενδυμασία εργασίας. Μη φοράτε φαρδιά ρούχα ή κοσμήματα. Κρατάτε τα μαλλιά, τα ενδύματα και τα γάντια σας μακριά από τα κινούμενα εξαρτήματα. Τα φαρδιά ρούχα, τα κοσμήματα και τα μακριά μαλλιά μπορεί να εμπλακούν στα κινούμενα εξαρτήματα.
- g. Αν προβλέπονται διατάξεις απαγωγής και συλλογής της σκόνης, βεβαιωθείτε ότι είναι συνδεδεμένες και ότι χρησιμοποιούνται σωστά. Η χρήση της συλλογής της σκόνης μπορεί να μειώσει τους κινδύνους σχετικά με τη σκόνη.

#### 4. Χρήση και συντήρηση του ηλεκτρικού εργαλείου

- a. Μην υπερφορτώνετε το ηλεκτρικό εργαλείο. Χρησιμοποιείτε για την εκάστοτε εργασία σας το ηλεκτρικό εργαλείο που προορίζεται γι' αυτήν. Με το κατάλληλο ηλεκτρικό εργαλείο εργάζεσθε καλύτερα και ασφαλέστερα στην ονομαστική περιοχή ισχύος τους.
- b. Μη χρησιμοποιήσετε ποτέ ένα ηλεκτρικό εργαλείο του οποίου ο διακόπτης λειτουργίας είναι χαλασμένος. Ένα ηλεκτρικό εργαλείο του οποίου η λειτουργία δεν μπορεί να ελεγχθεί με το διακόπτη είναι επικίνδυνο και πρέπει να επισκευαστεί.
- c. Αποσυνδέστε το βύσμα από τη πυγρή ρεύματος και/ή το συγκρότημα μπαταρίας πριν κάνετε κάποια ρύθμιση, αλλάζετε τα αξεσουάρ, ή αποθηκεύετε τα ηλεκτρικά εργαλεία. Αυτά τα προληπτικά μέτρα ασφαλείας μειώνουν τον κίνδυνο να τεθεί το μηχάνημα αθέλητα σε λειτουργία.
- d. Να φυλάτε τα ηλεκτρικά εργαλεία που δεν χρησιμοποιείτε μακριά από παιδιά. Μην αφήνετε άτομα που δεν είναι εξοικειωμένα με το ηλεκτρικό εργαλείο ή που δεν έχουν διαβάσει αυτές τις οδηγίες χρήσης να το χρησιμοποιήσουν. Τα ηλεκτρικά εργαλεία είναι επικίνδυνα όταν χρησιμοποιούνται από άπειρα άτομα.
- e. Να συντηρείτε τα ηλεκτρικά εργαλεία. Ελέγξτε εάν τα κινούμενα μέρη είναι σωστά ευθυγραμμισμένα ή αν έχουν μπλοκάρει, εάν έχουν σπάσει κομμάτια και εάν πληρούνται όλες οι υπόλοιπες συνθήκες που ενδεχομένως να επηρεάσουν τη σωστή λειτουργία του εργαλείου. Δώστε τυχόν χαλασμένα εξαρτήματα του ηλεκτρικού εργαλείου για επισκευή πριν το χρησιμοποιήσετε πάλι. Η ανεπαρκής συντήρηση των ηλεκτρικών εργαλείων αποτελεί αιτία πολλών ατυχημάτων.
- f. Διατηρείτε τα κοπτικά εργαλεία κοφτερά και καθαρά. Τα κοπτικά εργαλεία με αιχμηρά κοπτικά άκρα που συντηρούνται σωστά έχουν λιγότερες πιθανότητες να μπλοκάρουν και ελέγχονται ευκολότερα.

- g. Να χρησιμοποιείτε το ηλεκτρικό εργαλείο, τα εξαρτήματα και τις μύτες κλπ σύμφωνα με αυτές τις οδηγίες, λαμβάνοντας υπόψη τις καταστάσεις εργασίας και την εργασία προς εκτέλεση. Η χρήση του ηλεκτρικού εργαλείου για άλλες εκτός από τις προβλεπόμενες εργασίες μπορεί να δημιουργήσει επικίνδυνες καταστάσεις.

#### 5. Σέρβις

- a. Το σέρβις του ηλεκτρικού σας εργαλείου πρέπει να αναλαμβάνει έμπειρος τεχνικός που θα χρησιμοποιεί μόνο γνήσια ανταλλακτικά. Ετσι εξασφαλίζεται η διατήρηση της ασφάλειας του ηλεκτρικού εργαλείου.

### Συμπληρωματικές προειδοποιήσεις ασφαλείας για ηλεκτρικά εργαλεία



**Προειδοποίηση!** Πρόσθετες προειδοποιήσεις ασφαλείας για μηχανές φινιρίσματος ακρών

- ◆ Κρατήστε όλα τα μέρη του σώματος σας μακριά από την λεπίδα του κόπτη. Μην αφαιρείτε τον κομμένο υλικό ή κρατάτε υλικό προς κοπή όταν οι λεπίδες δουλεύουν. Βεβαιωθείτε ότι ο διακόπτης είναι απενεργοποιημένος όταν καθαρίζετε φραγμένο υλικό. Μια στιγμήα απροσεξία κατά το χειρισμό του ηλεκτρικού εργαλείου μπορεί να οδηγήσει σε σοβαρούς τραυματισμούς.
- ◆ Μεταφέρετε το μηχάνημα φινιρίσματος ακρών από την λαβή με σταματημένες λεπίδες κοπής. Όταν μεταφέρετε ή αποθηκεύετε το μηχάνημα φινιρίσματος ακρών τοποθετήστε πάντα το κάλυμμα της συσκευής κοπής. Η σωστή μεταχείριση του μηχανήματος φινιρίσματος κοπής θα μειώσει τους πιθανούς σωματικούς τραυματισμούς από τις λεπίδες κοπής.
- ◆ Κρατήστε το καλώδιο μακριά από την περιοχή κοπής. Κατά την διάρκεια λειτουργίας το καλώδιο μπορεί να κρύβεται στους θάμνους και να κοπεί κατά λάθος.
- ◆ Αυτό το εργαλείο δεν προορίζεται για χρήση από άτομα (συμπεριλαμβανοντας και τα παιδιά) με ελαττωμένες φυσικές, αισθητήριες και ψυχικές δυνατότητες, ή έλλειψη εμπειρίας και γνώσης, εκτός αν υπάρχει επιτήρηση ή οδηγίες για τη χρήση της συσκευής από έναν υπεύθυνο άτομο για την ασφάλεια τους. Τα παιδιά πρέπει να επιτηρηθούν για να βεβαιωθείτε ότι δεν παίζουν με το εργαλείο.
- ◆ Η ενδεδειγμένη χρησιμοποίηση αναφέρεται σε αυτές τις οδηγίες χρήσεως. Τόσο η χρήση εξαρτημάτων ή προσθηκών όσο και η πραγματοποίηση εργασιών που δεν συνιστώνται στις οδηγίες αυτές εγκυμονεί κίνδυνο τραυματισμού και/ή περιουσίας.
- ◆ Μην μεταφέρετε το εργαλείο έχοντας τα δάχτυλά σας στη μπροστινή λαβή με διακόπτη ή στη σκανδάλη, εκτός κι αν έχετε αφαιρέσει τη μπαταρία.



- ◆ Εάν δεν έχετε ξαναχρησιμοποιήσει εργαλείο κλαδέματος θάμνων, είναι προτιμότερο να ζητήσετε πρακτικές οδηγίες από έναν έμπειρο χρήστη αφού μελετήσετε αυτό το εγχειρίδιο.
- ◆ Ποτέ μην αγγίζετε τις λεπίδες όταν το εργαλείο είναι σε λειτουργία.
- ◆ Ποτέ μην επιχειρήσετε να ακινητοποιήσετε τις λεπίδες δια της βίας.
- ◆ Μην αποθέτετε το εργαλείο εάν δεν έχουν ακινητοποιηθεί τελείως οι λεπίδες.
- ◆ Ελέγχετε τακτικά τις λεπίδες για τυχόν ζημιές και φθορά. Μη χρησιμοποιείτε το εργαλείο αν οι λεπίδες εμφανίζουν φθορά.
- ◆ Φροντίστε να αποφεύγετε τα σκληρά αντικείμενα (π.χ. μεταλλικά σύρματα, κάγκελα) όταν κλαδεύετε. Εάν προσκρούσετε σε τέτοιο αντικείμενο κατά λάθος, θέστε αμέσως εκτός λειτουργίας το εργαλείο και ελέγξτε για τυχόν ζημιές.
- ◆ Αν το εργαλείο αρχίσει να τρέμει αφύσικα, θέστε το αμέσως εκτός λειτουργίας και ελέγξτε για τυχόν ζημιές.
- ◆ Αν το εργαλείο μπλοκάρει, θέστε το αμέσως εκτός λειτουργίας. Αφαιρέστε τη μπαταρία πριν επιχειρήσετε να αφαιρέσετε τυχόν αντικείμενα που το φράζουν.
- ◆ Μετά τη χρήση, τοποθετήστε τις λεπίδες στη θήκη που παρέχεται. Αποθηκεύστε το εργαλείο, επιβεβαιώνοντας ότι δεν είναι εκτεθειμένη η λεπίδα.
- ◆ Όταν χρησιμοποιείτε το εργαλείο, να βεβαιώνετε πάντα ότι έχουν τοποθετηθεί όλοι οι προφυλακτήρες. Ποτέ μην επιχειρείτε να χρησιμοποιήσετε ένα ελλειπές εργαλείο ή ένα εργαλείο που έχει υποστεί μη εγκεκριμένες τροποποιήσεις.
- ◆ Ποτέ μην αφήνετε παιδιά να χρησιμοποιούν το εργαλείο.
- ◆ Προσέξτε τα απορρίμματα που πέφτουν όταν κόβετε τις υψηλότερες πλευρές ενός θάμνου.
- ◆ Κρατάτε πάντοτε το εργαλείο με τα δύο σας χέρια και από τις λαβές που υπάρχουν.

## Ασφάλεια άλλων

- ◆ Αυτή η συσκευή δεν προορίζεται για χρήση από άτομα (συμπεριλαμβανόμενα και τα παιδιά) με ελαττωμένες φυσικές, αισθητήριες και ψυχικές δυνατότητες, ή έλλειψη εμπειρίας και γνώσης, εκτός αν υπάρχει επιτήρηση ή οδηγίες για τη χρήση της συσκευής από έναν υπεύθυνο άτομο για την ασφάλεια τους.
- ◆ Τα παιδιά πρέπει να επιτηρηθούν για να βεβαιωθείτε ότι δεν παίζουν με τη συσκευή.

## Δόνηση

Οι δηλωμένες τιμές εκπομπής δόνησης στον τομέα τεχνικών χαρακτηριστικών και στη δήλωση συμμόρφωσης έχουν μετρηθεί σύμφωνα με μια πρότυπη μέθοδος δοκιμής παρεχόμενη από το EN 60745 και μπορεί να χρησιμοποιηθεί για την σύγκριση ενός εργαλείου με ένα άλλο. Η δηλωμένη τιμή εκπομπής δόνησης μπορεί να χρησιμοποιηθεί επίσης σε μια προκαταρκτική εκτίμηση έκθεσης.

**Προσοχή!** Η τιμή εκπομπής δόνησης κατά τη παρόν χρήση του ηλεκτρικού εργαλείου μπορεί να διαφέρει από τη δηλωμένη τιμή αναλόγως με τον τρόπο που χρησιμοποιείται το εργαλείο. Το επίπεδο δόνησης μπορεί να αυξηθεί πάνω από το δηλωμένο επίπεδο.

Κατά την εκτίμηση έκθεσης στη δόνηση για να αποφασιστούν τα μέτρα ασφαλείας που απαιτούνται από το 2002/44/EK για την προστασία ατόμων που χρησιμοποιούν τακτικά το εργαλείο, πρέπει να ληφθεί υπόψη μια εκτίμηση έκθεσης δόνησης, οι παρόν καταστάσεις χρήσης και ο τρόπος χρήσης εργαλείου, συμπεριλαμβανόμενα όλα τα μερί του κύκλου εργασίας όπως πόσες φορές σβήνεται το εργαλείο και όταν δουλεύει χωρίς φορτίο πρόσθετα πόσες φορές πατιέται η σκανδάλη.

## Ετικέτες επάνω στο εργαλείο

Πάνω στο εργαλείο υπάρχουν οι εξής σχηματικές απεικονίσεις:



**Προσοχή!** Για να μειώσετε τον κίνδυνο τραυματισμού, ο χρήστης πρέπει να διαβάσει το εγχειρίδιο οδηγιών.



Να φοράτε πάντα προστατευτικά γυαλιά και ωτασπίδες.



Κατά τη χρήση αυτού του εργαλείου, να φοράτε γάντια.



Αποσυνδέστε αμέσως το καλώδιο τροφοδοσίας από την πρίζα αν έχει κοπεί ή καταστραφεί.



Μην αφήνετε το εργαλείο στη βροχή ή σε έντονη υγρασία.

## Ασφαλής χρήση του ηλεκτρικού ρεύματος



Αυτό το εργαλείο φέρει διπλή μόνωση, επομένως δεν απαιτείται σύρμα γείωσης. Ελέγχετε πάντοτε αν η τάση τροφοδοσίας αντιστοιχεί σε αυτήν που αναγράφεται στην πινακίδα στοιχείων του εργαλείου.

- ◆ Αν το καλώδιο ρεύματος έχει υποστεί βλάβη, πρέπει να αντικατασταθεί από τον κατασκευαστή ή από εξουσιοδοτημένο Κέντρο Επισκευών Black & Decker ώστε να αποφεύγετε τους κινδύνους.

### Χρήση καλωδίου προέκτασης

Να χρησιμοποιείτε πάντα εγκεκριμένο καλώδιο προέκτασης για την ηλεκτρική τροφοδοσία αυτού του εργαλείου (δείτε τα τεχνικά στοιχεία). Η προέκταση πρέπει να είναι κατάλληλη για χρήση σε εξωτερικό χώρο και να φέρει ανάλογη σήμανση. Μπορεί να χρησιμοποιηθεί καλώδιο προέκτασης HO5V V-F 1,5 mm<sup>2</sup>, μήκους έως και 30 m, χωρίς να μειωθεί η απόδοση του μηχανήματος. Πριν τη χρήση, ελέγξτε προσεκτικά το καλώδιο προέκτασης για σημάδια ζημιάς, φθοράς και παλαιώσης. Αντικαταστήστε το καλώδιο προέκτασης αν είναι κατεστραμμένο ή ελαττωματικό. Όταν χρησιμοποιείτε καρούλι καλωδίου, πάντα να ξετυλίγετε τελείως το καλώδιο.

### Χαρακτηριστικά

Το εργαλείο διαθέτει όλα ή ορισμένα από τα εξής χαρακτηριστικά.

1. Διακόπτης σκανδάλης
2. Διακόπτης πρόσθιας λαβής
3. Πρόσθια λαβή
4. Προφυλακτήρας
5. Λεπίδα
6. Θήκη λεπίδας
7. Σύστημα συγκράτησης καλωδίου

Αυτό το εργαλείο κλαδέματος θάμνων διαθέτει τα ακόλουθα χαρακτηριστικά προς όφελός σας:

- ◆ Εργονομικές λαβές για άνετο κλάδεμα.
- ◆ Μηχανισμός λεπίδων για βελτιωμένη κοπή.
- ◆ Λεπίδες διπλής δράσης για ελάττωση των κραδασμών.

### Συναρμολόγηση

**Προειδοποίηση!** Πριν την συναρμολόγηση, βεβαιωθείτε ότι το εργαλείο είναι σβησμένο και εκτός πρίζας και ότι η θήκη λεπίδας έχει τοποθετηθεί πάνω στις λεπίδες.

#### Τοποθέτηση του προφυλακτήρα (εικ. Α)

- ◆ Τοποθετήστε τον προφυλακτήρα (4) στο συγκρατητή (8).
- ◆ Σπρώξτε τον προφυλακτήρα στο συγκρατητή μέχρι να κλείσει στη θέση του.

**Προειδοποίηση!** Ποτέ μη χρησιμοποιείτε το εργαλείο χωρίς τον προφυλακτήρα.

#### Σύνδεση του εργαλείου στο ρεύμα (εικ. Β)

Εκτός και εάν το εργαλείο παρέχεται με ηλεκτρικό καλώδιο, θα πρέπει να συνδέσετε μια προέκταση στην είσοδο της τροφοδοσίας.

- ◆ Συνδέστε το θηλυκό φως μιας κατάλληλης προέκτασης στην είσοδο τροφοδοσίας του εργαλείου.

- ◆ Τυλίξτε το καλώδιο στο μηχανισμό συγκράτησης του καλωδίου (7), όπως φαίνεται στην εικόνα, ώστε να μην αποσυνδεθεί το καλώδιο επέκτασης κατά τη διάρκεια της χρήσης.

- ◆ Συνδέστε το φως σε μια πρίζα.

**Προειδοποίηση!** Η προέκταση πρέπει να είναι κατάλληλη για χρήση σε εξωτερικό χώρο. Όταν χρησιμοποιείτε καρούλι καλωδίου, πάντα να ξετυλίγετε τελείως το καλώδιο.

### Χρήση

**Προειδοποίηση!** Αφήστε το εργαλείο να λειτουργήσει με το δικό του ρυθμό. Μην το υπερφορτώνετε.

- ◆ Τοποθετήστε προσεκτικά το καλώδιο ώστε να μην το κόψετε κατά λάθος. Ένας καλός τρόπος να ελέγχετε το καλώδιο είναι να το περάσετε πάνω από τον ώμο σας.
- ◆ Για την ασφάλειά σας, το εργαλείο διαθέτει διπλό σύστημα εκκίνησης. Αυτό το σύστημα προλαμβάνει την ακούσια εκκίνηση του εργαλείου και επιτρέπει τη λειτουργία μόνο όταν κρατάτε το εργαλείο και με τα δύο χέρια.

### Θέση εντός και εκτός λειτουργίας

#### Θέση σε λειτουργία

- ◆ Κρατήστε τη μπροστινή λαβή (3) με το ένα χέρι ώστε ο διακόπτης της μπροστινής λαβίδας (2) να πατηθεί προς το σώμα του εργαλείου.
- ◆ Με το άλλο χέρι, πιέστε το διακόπτη σκανδάλης (1) για να ξεκινήσετε το εργαλείο.

#### Θέση εκτός λειτουργίας

- ◆ Αφήστε το διακόπτη της λαβής (2) ή το διακόπτη της σκανδάλης (1).

**Προειδοποίηση!** Ποτέ μην επιχειρήσετε να ασφαλίσετε κάποιο διακόπτη στη θέση λειτουργίας (on).

### Συμβουλές για άριστη χρήση

- ◆ Ξεκινήστε κλαδεύοντας την κορυφή του θάμνου. Γείρετε ελάχιστα το εργαλείο (έως 15° σε σχέση με τη γραμμή κοπής) ώστε τα άκρα της λεπίδας να δείχνουν ελαφρά προς το μέρος του θάμνου (εικ. C1). Έτσι οι λεπίδες θα κόβουν πιο αποτελεσματικά. Κρατάτε το εργαλείο στην επιθυμητή γωνία και κινήστε το σταθερά κατά μήκος της γραμμής κοπής. Η λεπίδα διπλής όψης σας επιτρέπει να κόβετε προς οποιαδήποτε κατεύθυνση.
- ◆ Για να κόψετε σε απόλυτη ευθεία, τεντώστε ένα κομμάτι σπάγκου κατά μήκος του θάμνου στο επιθυμητό ύψος. Χρησιμοποιήστε το σπάγκο ως οδηγό, κόβοντας λίγο πιο πάνω από αυτόν.
- ◆ Για να επιτύχετε επίπεδες πλευρές, κόβετε προς τα πάνω προς την κατεύθυνση της ανάπτυξης του φυτού. Οι νεότεροι μίσχοι μετακινούνται προς τα έξω όταν η λεπίδα κόβει προς τα κάτω, προκαλώντας έτσι κενά σημεία στο θάμνο (εικ. C2).

- ◆ Προσέχετε να αποφύγετε τυχόν ξένα αντικείμενα. Αποφύγετε ειδικά τα σκληρά αντικείμενα, όπως μεταλλικά σύρματα και κάγκελα, καθώς μπορεί να προκαλέσουν ζημιά στις λεπίδες.
- ◆ Λαδώνετε τακτικά τις λεπίδες.

### Πότε να ψαλιδίσετε

- ◆ Ως γενικός κανόνας, οι φράκτες και οι θάμνοι με εποχιακά φύλλα (νέα κάθε χρόνο) μπορούν να ψαλιδιστούν τον Ιούνιο και τον Οκτώβριο.
- ◆ Τα αειθαλή δέντρα μπορούν να ψαλιδιστούν τον Απρίλιο και τον Αύγουστο.
- ◆ Κωνοφόρα δέντρα και άλλοι θάμνοι που αναπτύσσονται γρήγορα μπορούν να ψαλιδίζονται περίπου κάθε έξι μήνες από τον Μάιο και μετέπειτα.

### Συντήρηση

Αυτό το εργαλείο/συσκευή της Black & Decker με καλώδιο/ ασύρματο έχει σχεδιαστεί έτσι ώστε να λειτουργεί για μεγάλο χρονικό διάστημα με την ελάχιστη δυνατή φροντίδα. Η αδιάλειπτη και κανονική λειτουργία του εργαλείου εξαρτάται από τη φροντίδα και τον τακτικό καθαρισμό.

**Προειδοποίηση!** Πριν εκτελέσετε οποιαδήποτε συντήρηση των ενσύρματων/ασύρματων ηλεκτρικών εργαλείων:

- ◆ Θέστε τη συσκευή/εργαλείο εκτός λειτουργίας και βγάλτε το από την πρίζα.
- ◆ Ή θέστε εκτός λειτουργίας και αφαιρέστε τη μπαταρία από τη συσκευή/εργαλείο εάν η συσκευή/εργαλείο έχει ένα ξεχωριστό συγκρότημα μπαταρίας.
- ◆ Ή αδειάστε εντελώς τη μπαταρία εάν είναι ενσωματωμένη και μετά θέστε εκτός λειτουργίας το μηχάνημα.
- ◆ Βγάλτε τον φορτιστή από την πρίζα πριν τον καθαρίσετε. Ο φορτιστής σας δεν απαιτεί καμία συντήρηση εκτός από τον τακτικό καθαρισμό του.
- ◆ Καθαρίζετε τακτικά τις οπές εξαιρισμού του εργαλείου/ συσκευής σας και του φορτιστή με μαλακή βούρτσα ή με στεγνό πανί.
- ◆ Να καθαρίζετε τακτικά το περίβλημα του μοτέρ χρησιμοποιώντας ένα υγρό πανί. Μη χρησιμοποιείτε αποξεστικά καθαριστικά ή υγρά καθαρισμού που περιέχουν διαλύτες.
- ◆ Να ανοίγετε τακτικά το σοκ και να το αδειάζετε, προκειμένου να αφαιρείται η σκόνη από το εσωτερικό του (όταν υπάρχει).

### Αφαίρεση του προφυλακτήρα (εικ. Α)

**Προειδοποίηση!** Αφαιρέστε τον προφυλακτήρα μόνο για λόγους επισκευής. Τοποθετήστε πάντα τον προφυλακτήρα μετά το τέλος της συντήρησης.

- ◆ Τοποθετήστε μικρούς πείρους (9) σε οποιοδήποτε πλευρά του συγκρατητή (8) και τραβήξτε τον προφυλακτήρα (4) μπροστά.

- ◆ Αφαιρέστε τους πείρους και βγάλτε τον προφυλακτήρα από το εργαλείο.

### Αντιμετώπιση προβλημάτων

Αν το εργαλείο δεν λειτουργεί σωστά, ελέγξτε τα ακόλουθα:

Πρόβλημα	Πιθανή αιτία	Λύση
Το εργαλείο δεν ξεκινά	Καμένη ασφάλεια	Αντικαταστήστε την ασφάλεια
	Ενεργοποιημένο RCD	Ελέγξτε το RCD
	Το καλώδιο προφοδοσίας δεν είναι συνδεδεμένο	Ελέγξτε την παροχή ρεύματος

### Διάθεση εργαλείων και περιβάλλον



Ξεχωριστή συλλογή. Αυτό το προϊόν δεν πρέπει να απορριφθεί με συνηθισμένα σπιτικά απορρίμματα.

Εάν κάποια μέρα διαπιστώσετε ότι το προϊόν σας Black & Decker χρειάζεται αντικατάσταση ή δεν σας χρησιμεύει πλέον, μην το απορρίψετε με τα σπιτικά απορρίμματα. Κάντε αυτό το προϊόν διαθέσιμο για ξεχωριστή συλλογή.



Η ξεχωριστή συλλογή χρησιμοποιημένων προϊόντων και συσκευασιών επιτρέπει την ανακύκλωση υλικών. Η επανάχρηση ανακυκλωμένων υλικών βοηθάει την προστασία του περιβάλλον και μειώνει την ζήτηση για σπάνια υλικά.

Οι τοπικοί κανονισμοί μπορεί να παρέχουν ξεχωριστή συλλογή ηλεκτρικών προϊόντων από κατοικίες, δημοτικές τοποθεσίες απορριμμάτων ή από τον έμπορο όταν αγοράσατε το καινούργιο προϊόν.

Η Black & Decker δίνει τη δυνατότητα συλλογής και ανακύκλωσης των προϊόντων της που έχουν συμπληρώσει τη διάρκεια ζωής τους. Αν θέλετε να χρησιμοποιήσετε την εν λόγω υπηρεσία, επιστρέψτε το προϊόν σας σε οποιοδήποτε εξουσιοδοτημένο κέντρο επισκευών, όπου θα το παραλάβουν εκ μέρους σας.

Ενημερωθείτε για το πλησιέστερο κέντρο επισκευών της περιοχής σας, επικοινωνώντας με τα γραφεία της Black & Decker στη διεύθυνση που αναγράφεται στο εγχειρίδιο. Επίσης, για να πληροφορηθείτε τα εξουσιοδοτημένα κέντρα επισκευών της Black & Decker και τις λεπτομέρειες και τους αρμόδιους των υπηρεσιών που παρέχονται μετά την πώληση, μπορείτε να ανατρέξετε στο Διαδίκτυο στη διεύθυνση:

[www.2helpU.com](http://www.2helpU.com)

## Τεχνικά χαρακτηριστικά

		GT90	GT100	GT110	GT115
		TYPE 3	TYPE 3	TYPE 3	TYPE 3
Τάση	V <sub>AC</sub>	230	230	230	230
Ισχύς εισόδου	W	380	400	420	420
Διαδρομές λεπίδας (χωρίς φορτίο)	min <sup>-1</sup>	1.900	1.900	1.900	1.900
Μήκος λεπίδας	cm	42	42	50	55
Διάκενο λεπίδας	mm	16	16	16	16
Χρόνος πέδησης λεπίδας	s	< 1,0	< 1,0	< 1,0	< 1,0
Βάρος (χωρίς καλώδιο τροφοδοσίας)	kg	2,2	2,2	2,3	2,4

Τιμές συνολικής δόνησης (άθροισμα τριαξονικών ανυσμάτων)  
αποφασισμένο σύμφωνα με EN 60745:  
Τιμή εκπομπής δόνησης (a<sub>w</sub>) 1,9 m/s<sup>2</sup>,  
αβεβαιότητα (K) 1,5 m/s<sup>2</sup>

### Δήλωση συμμόρφωσης με την Ευρωπαϊκή Κοινότητα

ΟΔΗΓΙΑ ΠΕΡΙ ΜΗΧΑΝΗΜΑΤΩΝ  
ΟΔΗΓΙΑ ΘΟΡΟΥ ΕΞΩΤΕΡΙΚΩΝ ΧΩΡΩΝ



GT90/GT100/GT110/GT115

H Black & Decker δηλώνει ότι αυτά τα προϊόντα που περιγράφονται στον τομέα "τεχνικά χαρακτηριστικά" είναι σε συμμόρφωση με:

98/37/EK (μέχρι 28 Δεκ. 2009), 2006/42/EK  
(από 29 Δεκ. 2009), EN 60745-1, EN 60745-2-15

2000/14/EK, Κλαδέματος θάμνων, 1400 min<sup>-1</sup>, Παράρτημα V  
L<sub>WA</sub> (μετρημένη ισχύς ήχου) 96,5 dB(A)  
L<sub>WA</sub> (εγγυημένη ισχύς ήχου) 99 dB(A)

Αυτά τα προϊόντα συμμορφώνονται επίσης με την οδηγία 2004/108/EK. Για περισσότερες πληροφορίες, επικοινωνήστε με τη Black & Decker στη διεύθυνση που ακολουθεί ή στο πίσω μέρος του εγχειριδίου.

Ο υπογεγραμμένος είναι υπεύθυνος για τη σύνταξη του τεχνικού αρχείου και κάνει την παρών δήλωση εκ μέρους της Black & Decker.

Kevin Hewitt  
Vice-President Global Engineering  
Black & Decker Europe, 210 Bath Road, Slough,  
Berkshire, SL1 3YD  
Ηνωμένο Βασίλειο  
8-9-2009

### Εγγύηση

H Black & Decker είναι σίγουρη για την ποιότητα των προϊόντων της και παρέχει σημαντική εγγύηση. Η παρούσα γρήγη εγγύηση αποτελεί πρόσθετο δικαίωμά σας και δεν ζημιώνει τα συνταγματικά σας δικαιώματα. Η εγγύηση ισχύει εντός της επικράτειας των Κρατών Μελών της Ευρωπαϊκής Ένωσης και της Ευρωπαϊκής Ζώνης Ελευθέρων Συναλλαγών.

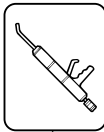
Σε περίπτωση που κάποιο προϊόν της Black & Decker παρουσιάσει βλάβη εξαιτίας ελαττωματικών υλικών, ποιότητας εργασίας ή έλλειψης συμφωνίας με τις προδιαγραφές εντός 24 μηνών από την ημερομηνία αγοράς, η Black & Decker εγγυάται την αντικατάσταση των ελαττωματικών τμημάτων, την επισκευή προϊόντων που έχουν υποστεί εύλογη φθορά λόγω χρήσης ή την αντικατάσταση των προϊόντων προκειμένου να εξασφαλίσει την ελάχιστη ενόχληση στους πελάτες της, εκτός αν:

- ♦ Το προϊόν έχει χρησιμοποιηθεί σε εργασιακό, επαγγελματικό περιβάλλον ή αν έχει εννοικιαστεί
- ♦ Έχει γίνει εσφαλμένη χρήση του προϊόντος ή αν έχει παραμεληθεί
- ♦ Το προϊόν έχει υποστεί βλάβη από άλλα αντικείμενα, από ουσίες ή λόγω ατυχήματος
- ♦ Έχει γίνει προσπάθεια επισκευής από μη εξουσιοδοτημένα κέντρα επισκευών ή από προσωπικό που δεν ανήκει στο προσωπικό της Black & Decker

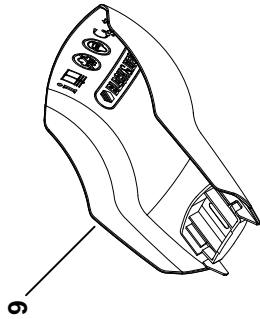
Για να ισχύσει η εγγύηση, πρέπει να υποβάλετε απόδειξη αγοράς στον πωλητή ή το εξουσιοδοτημένο κέντρο επισκευών. Ενημερωθείτε για το πλησιέστερο κέντρο επισκευών της περιοχής σας, επικοινωνώντας με τα γραφεία της Black & Decker στη διεύθυνση που αναγράφεται στο εγχειρίδιο. Επίσης, για να πληροφορηθείτε για τα εξουσιοδοτημένα κέντρα επισκευών της Black & Decker, τις λεπτομέρειες και τους αρμόδιους των υπηρεσιών που παρέχονται μετά την πώληση, μπορείτε να ανατρέξετε στο Διαδίκτυο στη διεύθυνση: [www.2helpU.com](http://www.2helpU.com)

Παρακαλούμε να επισκεφτείτε την ιστοσελίδα μας [www.blackanddecker.eu](http://www.blackanddecker.eu) για να καταχωρήσετε το νέο σας προϊόν Black & Decker και για να ενημερώνεστε για τα νέα προϊόντα και τις ειδικές προσφορές. Περισσότερες πληροφορίες σχετικά με τη μάρκα Black & Decker και τη σειρά προϊόντων μας θα βρείτε στη διεύθυνση [www.blackanddecker.eu](http://www.blackanddecker.eu)

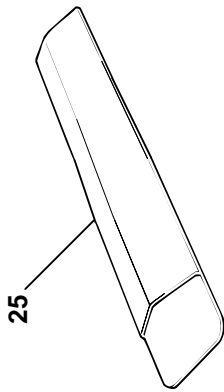
Partial support - Only parts shown available  
Nur die aufgeführten teile sind lieferbar  
Reparation partielle - Seules les pieces indiquees sont disponibles  
Supporto parziale - Sono disponibili soltanto le parti evidenziate  
Solo estan disponibles las pezas listadas  
So se encontraran disponibles as pecas listadas  
Gedeeltelijke ondersteuning - alleen de getoonde onderdelen  
zijn beschikbaar



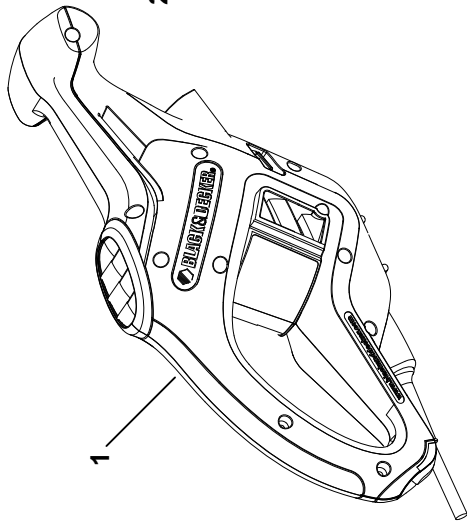
800



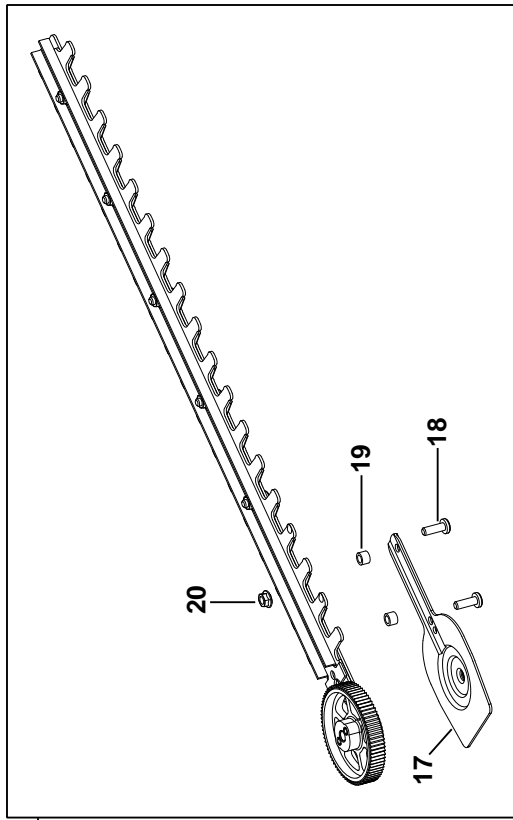
9



25



1



22

20

19

18

17

©

ENGLISH

**Do not forget to register your product!**

[www.blackanddecker.co.uk/productregistration](http://www.blackanddecker.co.uk/productregistration)

Register your product online at [www.blackanddecker.co.uk/productregistration](http://www.blackanddecker.co.uk/productregistration) or send your name, surname and product code to Black & Decker in your country.

DEUTSCH

**Vergessen Sie nicht, Ihr Produkt registrieren zu lassen!**

[www.blackanddecker.de/productregistration](http://www.blackanddecker.de/productregistration)

Lassen Sie Ihr Produkt unter [www.blackanddecker.de/productregistration](http://www.blackanddecker.de/productregistration) online registrieren oder schicken Sie Ihren Nachnamen, Vornamen und den Produktcode an Black & Decker in Ihrem Land.

FRANÇAIS

**N'oubliez pas d'enregistrer votre produit !**

[www.blackanddecker.fr/productregistration](http://www.blackanddecker.fr/productregistration)

Enregistrez votre produit en ligne sur [www.blackanddecker.fr/productregistration](http://www.blackanddecker.fr/productregistration) ou envoyez vos nom, prénom et code produit à Black & Decker dans votre pays.

ITALIANO

**Non dimenticate di registrare il prodotto!**

[www.blackanddecker.it/productregistration](http://www.blackanddecker.it/productregistration)

Registrate il prodotto online su [www.blackanddecker.it/productregistration](http://www.blackanddecker.it/productregistration) o inviate nome, cognome e codice del prodotto al centro Black & Decker del vostro paese.

NEDERLANDS

**Vergeet niet uw product te registreren!**

[www.blackanddecker.nl/productregistration](http://www.blackanddecker.nl/productregistration)

U kunt uw product online registreren op [www.blackanddecker.nl/productregistration](http://www.blackanddecker.nl/productregistration) of u kunt uw voornaam, achternaam en productcode opsturen naar Black & Decker in uw land.

ESPAÑOL

**¡No olvide registrar su producto!**

[www.blackanddecker.es/productregistration](http://www.blackanddecker.es/productregistration)

Registre su producto on-line en [www.blackanddecker.es/productregistration](http://www.blackanddecker.es/productregistration) o envíe su nombre, apellidos y código de producto a Black & Decker en su país.

## PORTUGUÊS

### Não se esqueça de registar o seu produto!

[www.blackanddecker.pt/productregistration](http://www.blackanddecker.pt/productregistration)

Registe o seu produto online em [www.blackanddecker.pt/productregistration](http://www.blackanddecker.pt/productregistration) ou envie o seu nome, apelido e código do produto para a Black & Decker no seu país.

## SVENSKA

### Glöm inte att registrera produkten!

[www.blackanddecker.se/productregistration](http://www.blackanddecker.se/productregistration)

Registrera produkten online på [www.blackanddecker.se/productregistration](http://www.blackanddecker.se/productregistration) eller skicka namn och produktkod till Black & Decker i landet du bor i.

## NORSK

### Ikke glem å registrere produktet ditt!

[www.blackanddecker.no/productregistration](http://www.blackanddecker.no/productregistration)

Registrer produktet ditt online på [www.blackanddecker.no/productregistration](http://www.blackanddecker.no/productregistration), eller send ditt navn, etternavn og produktkode til Black & Decker i ditt eget land.

## DANSK

### Glem ikke at registrere dit produkt!

[www.blackanddecker.dk/productregistration](http://www.blackanddecker.dk/productregistration)

Registrer dit produkt på internettet på: [www.blackanddecker.dk/productregistration](http://www.blackanddecker.dk/productregistration) eller send dit navn, efternavn og produktkode til Black & Decker i dit eget land.

## SUOMI

### Muistathan rekisteröidä tuotteesi!

[www.blackanddecker.fi/productregistration](http://www.blackanddecker.fi/productregistration)

Rekisteröi tuotteesi verkossa osoitteessa [www.blackanddecker.fi/productregistration](http://www.blackanddecker.fi/productregistration) tai läheta etunimesi, sukunimesi ja tuotekoodi oman maasi Black & Decker -edustajalle.

## ΕΛΛΗΝΙΚΑ

### Μην ξεχάσετε να καταχωρίσετε το προϊόν σας!

[www.blackanddecker.gr/productregistration](http://www.blackanddecker.gr/productregistration)

Καταχωρίστε το προϊόν σας σε σύνδεση στη σελίδα [www.blackanddecker.gr/productregistration](http://www.blackanddecker.gr/productregistration) ή στείλτε το όνομα, επίθετο σας και τον κωδικό πριονιωτός στη Black & Decker στη χώρα σας.



<b>België/Belgique</b>	Black & Decker (Belgium) N.V. Nieuwlandlaan 7 I.Z. Aarschot B156 3200 Aarschot	Tel. Fax	016 68 91 00 016 68 91 11
<b>Danmark</b>	Black & Decker Sluseholmen 2-4, 2450 København SV Internet: <a href="http://www.blackanddecker.dk">www.blackanddecker.dk</a>	Tel. Fax	70 20 15 10 70 22 49 10
<b>Deutschland</b>	Black & Decker GmbH Black & Decker Str. 40, D - 65510 Idstein	Tel. Fax	06126/21 - 0 06126/21 29 80
<b>Ελλάδα</b>	Black & Decker (Ελλάς) Α.Ε. Σπύρβωνος 7 & Λεωφ. Βουλιαγμένης 159 166 74 Γλυφάδα - Αθήνα	Τηλ. Φαξ <a href="http://www.blackanddecker.eu">www.blackanddecker.eu</a>	210 8981616 210 8983285
<b>España</b>	Black & Decker Ibérica, S.C.A. Parc de Negocis "Mas Blau" Edificio Muntadas, c/Bergadá, 1, Of. A6 08820 El Prat de Llobregat (Barcelona)	Tel. Fax	934 797 400 934 797 419
<b>France</b>	Black & Decker (France) S.A.S. 5 allée des Hêtres B.P. 30084 69579 Limonest Cédex	Tel. Fax	04 72 20 39 20 04 72 20 39 00
<b>Helvetia</b>	ROFO AG Gewerbezone Seeblick 3213 Kleinbödingen	Tel. Fax	026-6749391 026-6749394
<b>Italia</b>	Black & Decker Italia SpA Viale Elvezia 2 20052 Monza (MI)	Tel. Fax Numero verde	039-23871 039-2387592/2387594 800-213935
<b>Nederland</b>	Black & Decker Benelux Joulehof 12, 4622 RG Bergen op Zoom	Tel. Fax	0164 - 283000 0164 - 283100
<b>Norge</b>	Black & Decker (Norge) A/S Postboks 4814, Nydalen, 0422 Oslo Internet: <a href="http://www.blackanddecker.no">www.blackanddecker.no</a>	Tlf. Fax	22 90 99 00 22 90 99 01
<b>Österreich</b>	Black & Decker Vertriebsges.m.b.H Oberlaaerstraße 246, A1100 Wien	Tel. Fax	01 66116-0 01 66116-14
<b>Portugal</b>	Black & Decker Rua Egas Moniz 173 S. João do Estoril 2766-651 Estoril	Tel. Fax	214667500 214667580
<b>Suomi</b>	Black & Decker Oy Keilasatama 3, 02150 Espoo Black & Decker Oy, Kägelhamnen 3, 02150 Esbo	Puh. Faksi Tel. Fax	010 400 430 (09) 2510 7100 010 400 430 (09) 2510 7100
<b>Sverige</b>	Black & Decker AB Box 94, 431 22 Mölndal	Tel. Fax	031-68 60 60 031-68 60 80
<b>United Kingdom</b>	Black & Decker 210 Bath Road Slough, Berkshire SL1 3YD	Tel. Fax Helpline	01753 511234 01753 551155 01753 574277
<b>Middle East &amp; Africa</b>	Black & Decker (Overseas) A.G. PB 5420, Dubai, United Arab Emirates	Tel. Fax	+971 4 2826464 +971 4 2826466