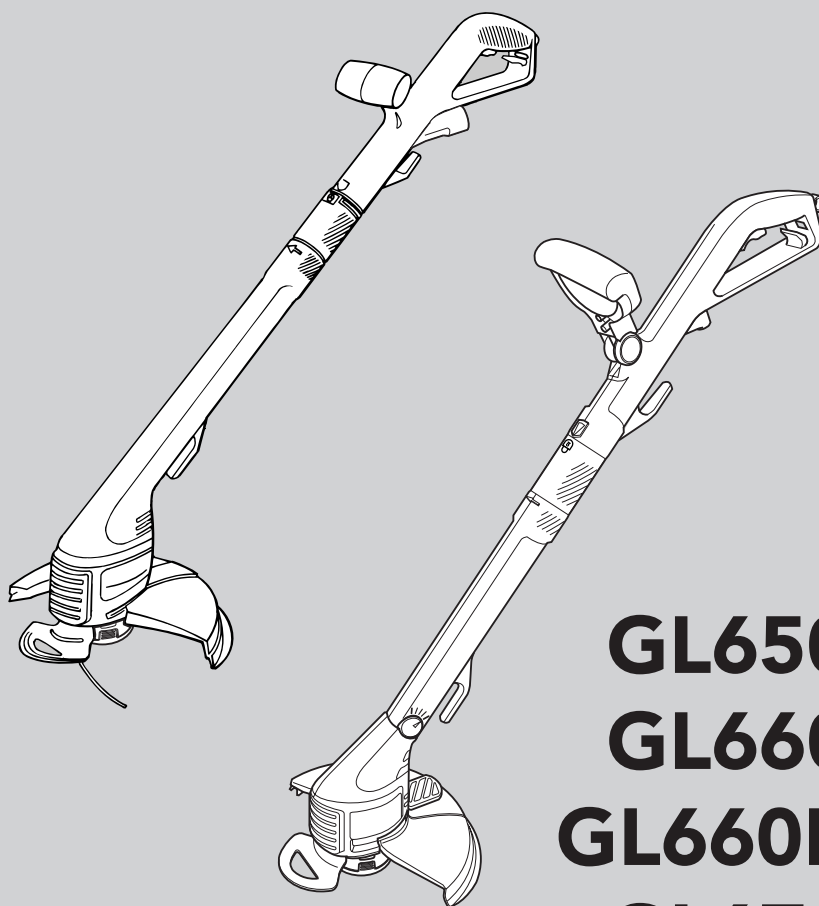




 **BLACK &  
DECKER**®



**GL650**  
**GL660**  
**GL660P**  
**GL670**  
**GL670P**

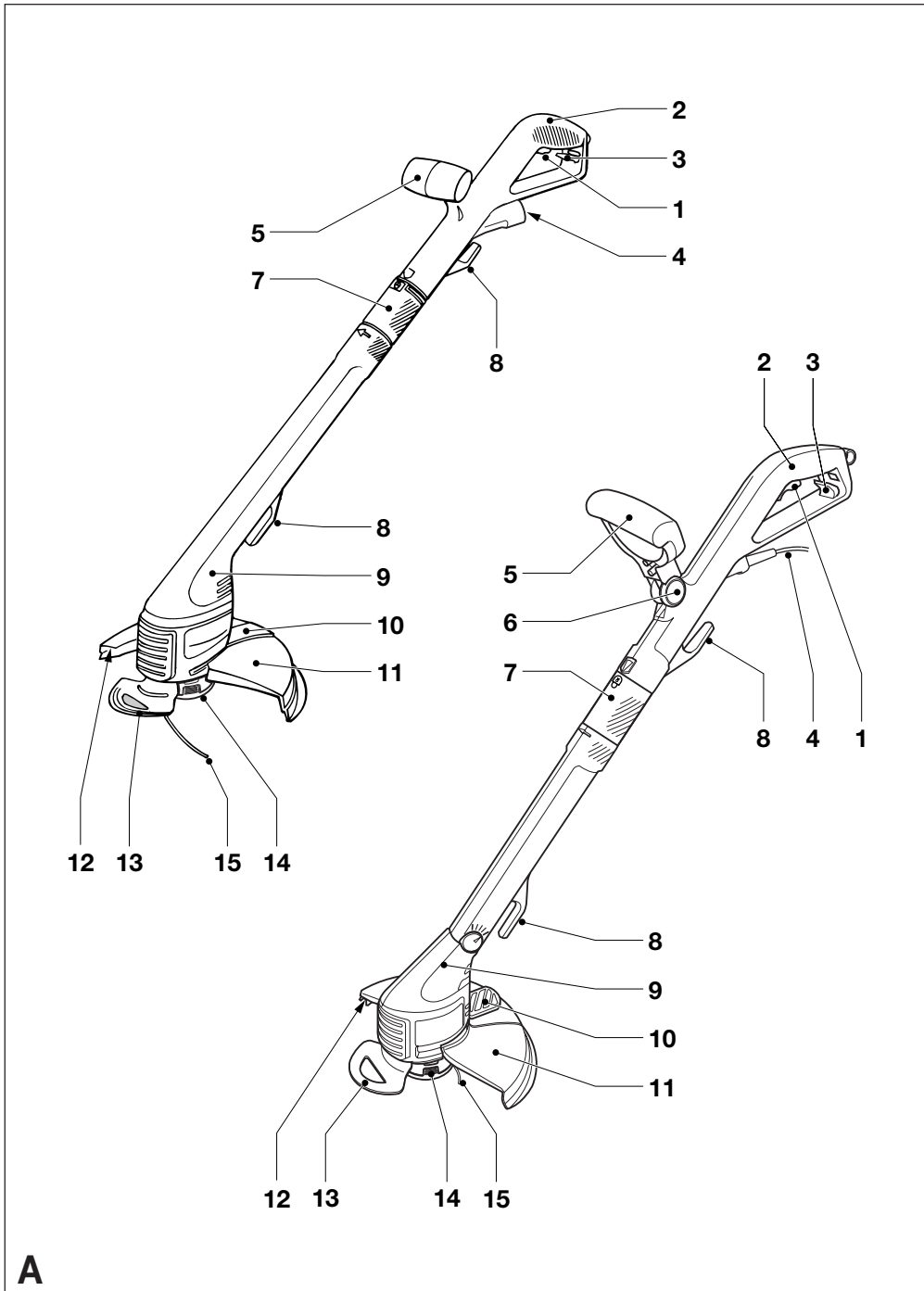


<b>English</b>	<b>8</b>
<b>Deutsch</b>	<b>16</b>
<b>Français</b>	<b>24</b>
<b>Italiano</b>	<b>32</b>
<b>Nederlands</b>	<b>40</b>
<b>Español</b>	<b>48</b>
<b>Português</b>	<b>56</b>
<b>Ελληνικά</b>	<b>64</b>

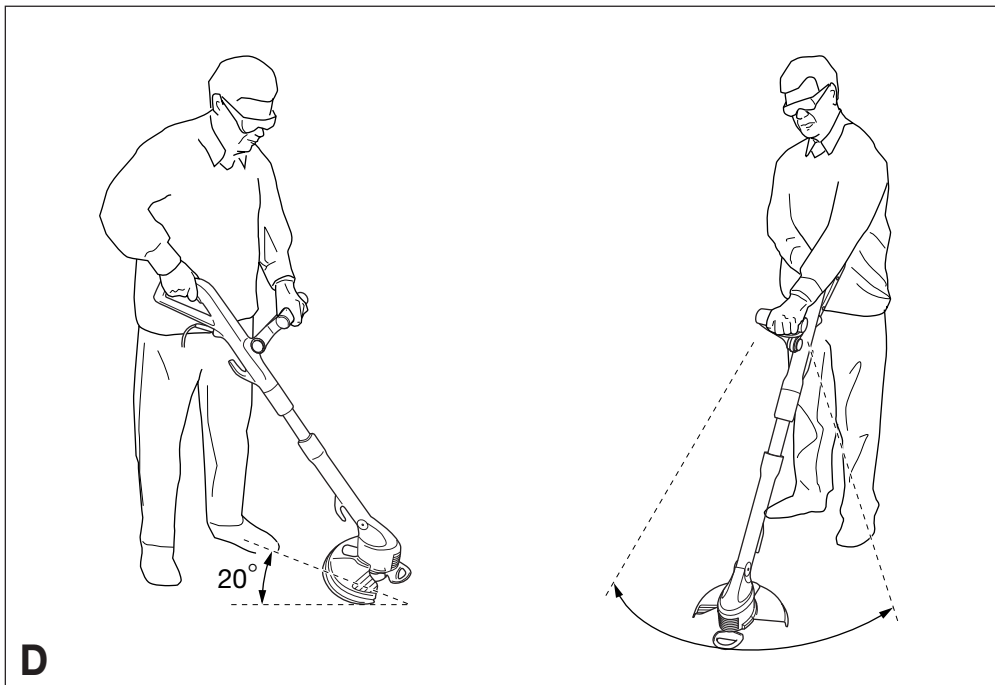
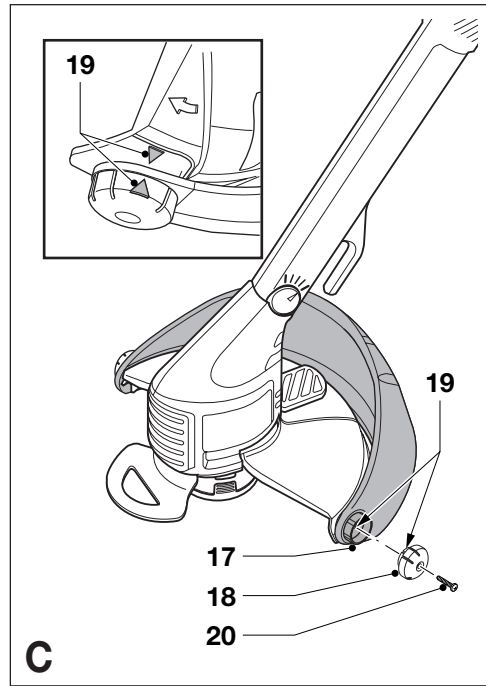
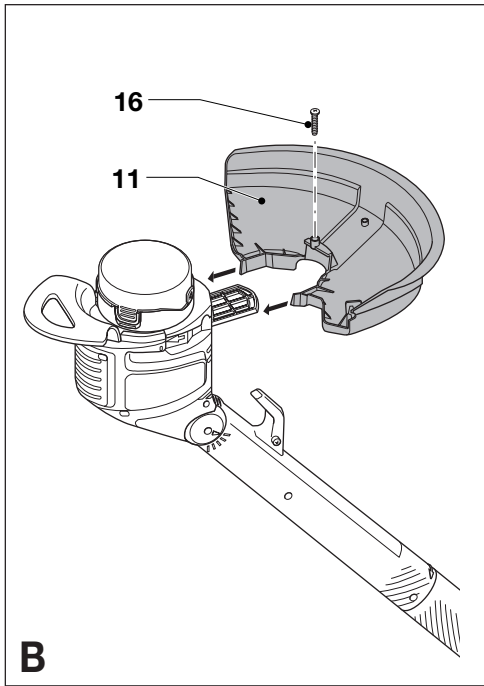


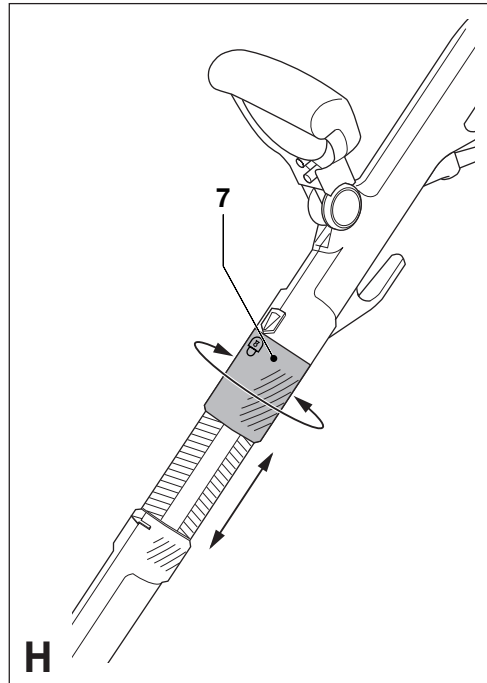
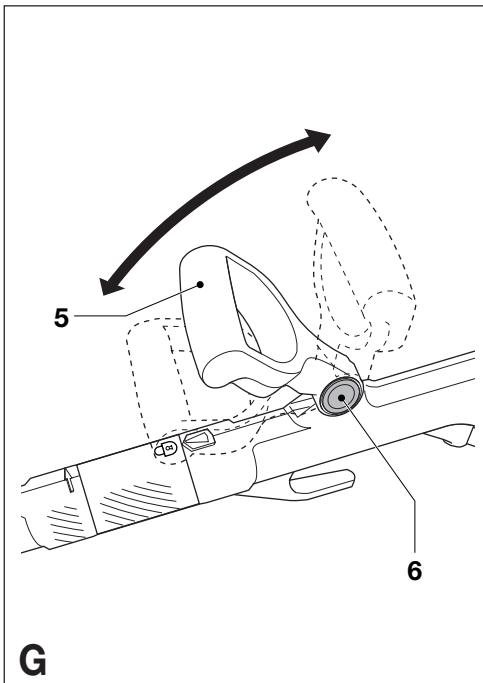
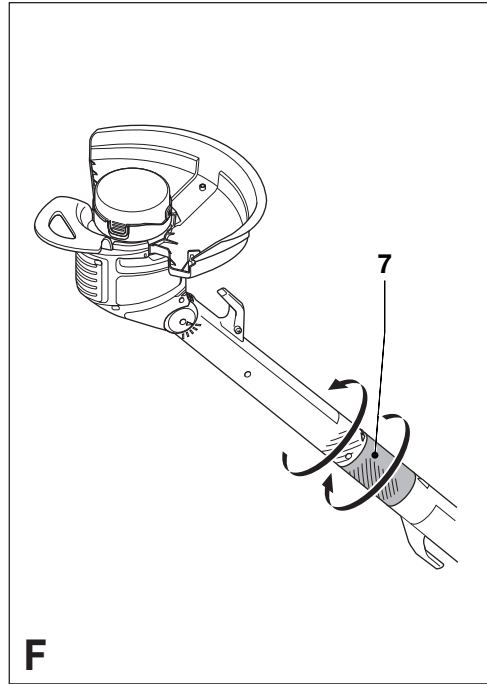
Copyright Black & Decker

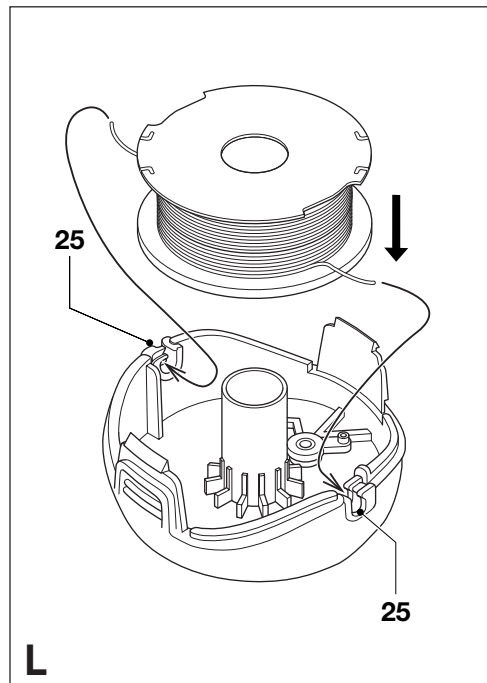
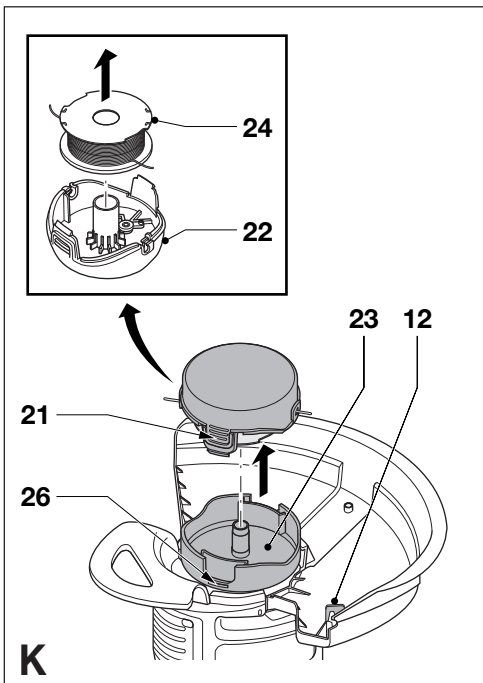
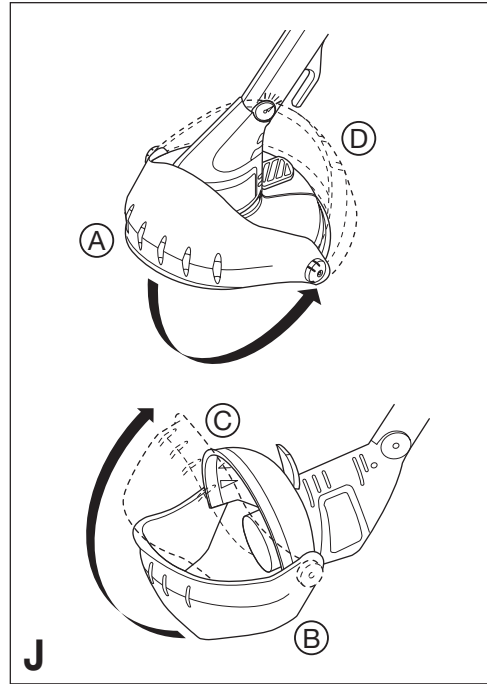
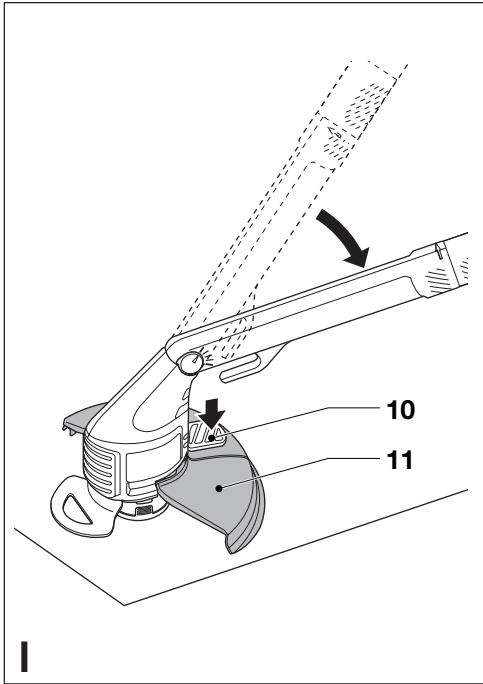


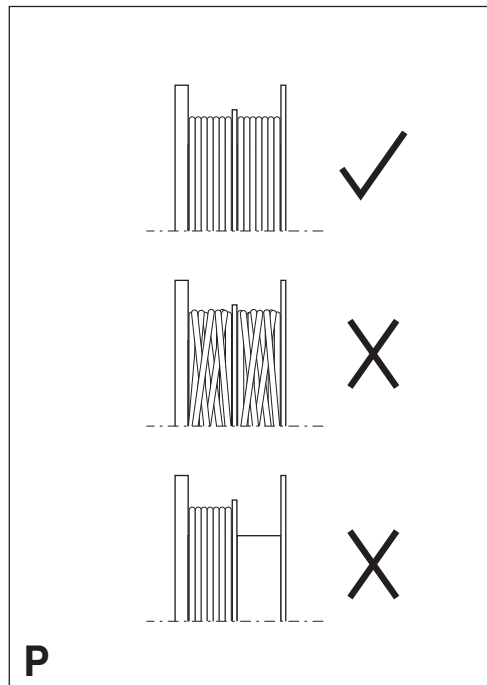
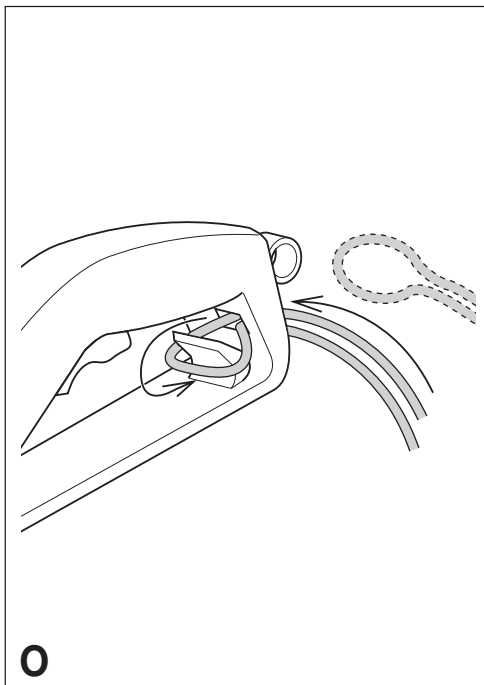
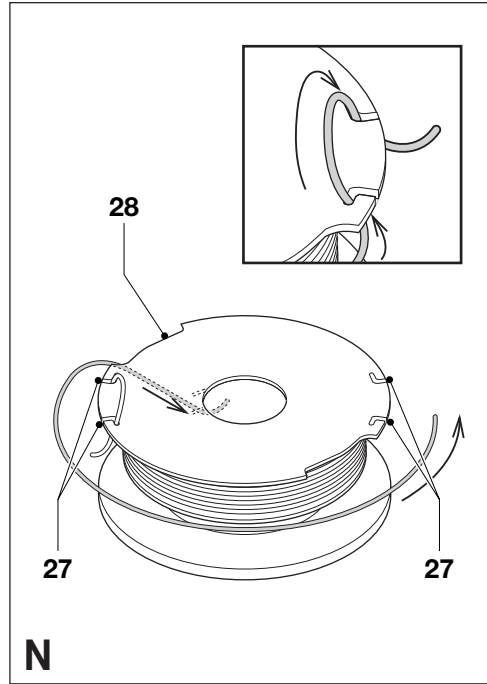
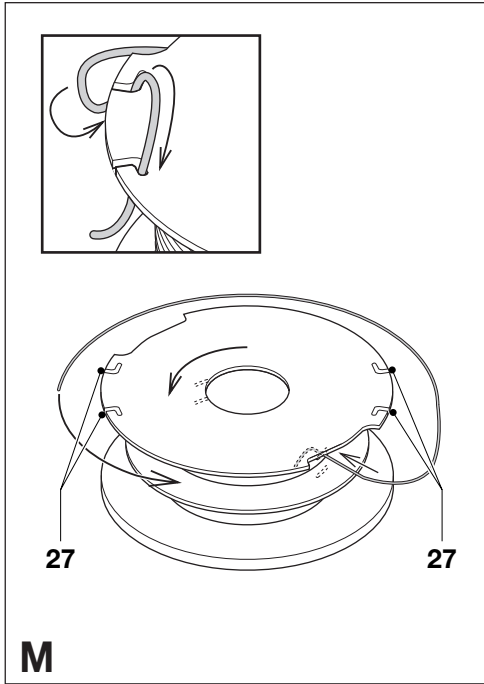


A











## ENGLISH

# GRASS TRIMMER GL650/GL660/GL660P/GL670/GL670P

### CONGRATULATIONS!

You have chosen a Black & Decker tool. Our aim is to provide quality tools at an affordable price. We hope that you will enjoy using this tool for many years.

### EC DECLARATION OF CONFORMITY



GL650/GL660/GL660P/GL670/GL670P  
Black & Decker declares that these products conform to: 98/37/EC, 89/336/EEC, 73/23/EEC, EN 60335, EN 55014, EN 61000

Level of sound pressure, measured according to 84/538/EEC:

		GL650	GL660	GL670
			GL660P	GL670P
L <sub>pA</sub> (sound pressure)	dB(A)	83	83	83
L <sub>WA</sub> (acoustic power)	dB(A)	96	96	96



Always wear ear protection if the sound pressure exceeds 85 dB(A).

Hand/arm weighted vibration value according to 98/37/EC:

GL650	GL660	GL660P	GL670	GL670P
< 2.5 m/s <sup>2</sup>	< 2.5 m/s <sup>2</sup>	< 2.5 m/s <sup>2</sup>	< 2.5 m/s <sup>2</sup>	< 2.5 m/s <sup>2</sup>

Brian Cooke  
Director of Engineering  
Spennymoor, County Durham DL16 6JG,  
United Kingdom

### INTENDED USE

Your Black & Decker grass trimmer GL650/GL660/GL660P/GL670/GL670P has been designed for trimming and finishing lawn edges and to cut grass in confined spaces. This tool is intended for consumer use only.

### SAFETY INSTRUCTIONS

#### Warning symbols

The following symbols are used in this manual:



Denotes risk of personal injury, loss of life or damage to the tool in case of non-observance of the instructions in this manual.



Denotes risk of electric shock.



Read the manual prior to operation.

#### Know your appliance



- ◆ **Warning!** When using mains-powered appliances, basic safety precautions, including the following, should always be followed to reduce the risk of fire, electric shock and personal injury.
  - ◆ Read all of this manual carefully before operating the appliance.
  - ◆ Before operating the appliance, make sure that you know how to switch it off in an emergency.
  - ◆ The intended use is described in this manual. The use of any accessory or attachment or performance of any operation with this appliance other than those recommended in this instruction manual may present a risk of personal injury.
  - ◆ Retain this manual for future reference.





## ENGLISH

### Work area

- ◆ Do not expose the appliance to rain. Do not use the appliance in damp or wet conditions.
- ◆ Only use the appliance in daylight or good artificial light.

### Personal protection

- ◆ Wear stout shoes or boots to protect your feet. Do not operate the appliance wearing open-toed sandals or when barefoot.
- ◆ Wear long trousers to protect your legs.

### Using your appliance

- ◆ Be sure that the appliance is switched off when plugging in.
- ◆ Stay alert. Watch what you are doing. Use common sense.
- ◆ Do not operate the appliance when you are tired.
- ◆ If the appliance begins to vibrate abnormally, switch it off and remove the plug from the socket. Allow rotating parts to stop and inspect the appliance for damage and loose parts.
- ◆ Never pull the cord to disconnect the plug from the socket. Keep the cord away from heat, oil and sharp edges.
- ◆ If the mains cable is damaged during use, switch the appliance off and disconnect the plug from the mains immediately. **Do not touch the mains cable before disconnecting from the mains.**

### Safety of others

- ◆ Do not allow children or any person unfamiliar with these instructions to operate the appliance.
- ◆ Do not allow children, visitors or animals to come near the work area or to touch the appliance or mains cable.
- ◆ Remember that the operator may be held responsible for accidents or hazards occurring to other people or their property.

### After use

- ◆ Switch off, remove the plug from the socket and ensure that moving parts have stopped rotating before leaving the appliance unattended and before changing, cleaning or inspecting any parts of the appliance.

- ◆ When not in use, the appliance should be stored in a dry place. Children should not have access to stored appliances.

### Inspection and repairs

- ◆ Before use, check the appliance for damaged or defective parts. Check for misalignment and seizure of moving parts, breakage of parts, damage to guards and switches and any other conditions that may affect its operation.
- ◆ Do not use the appliance if any part is damaged or defective. Do not use the appliance if the switch does not turn it on and off.
- ◆ Never use the appliance when any guard or enclosure is damaged or not in place.
- ◆ Ensure that the appliance will operate properly and perform its intended function.
- ◆ Have any damaged or defective parts repaired or replaced by an authorised repair agent.
- ◆ Before use, check the mains cable for signs of damage, ageing and wear.
- ◆ Do not use the appliance if the mains cable is damaged or defective.
- ◆ If the mains cable is damaged or defective it must be repaired by an authorised repair agent to avoid a hazard.
- ◆ Never attempt to remove or replace any parts other than those specified in this manual.

### Additional safety instructions for grass trimmers

The following warning symbols are found on the appliance:



Wear safety glasses or goggles when operating this tool.



The cutting line will continue to run for a few seconds after switching the appliance off. Never attempt to force the line to come to a standstill.



Keep people and animals at least 6 m away from the cutting area.



Do not expose the appliance to rain or high humidity.



## ENGLISH



Switch off, remove the plug from the socket and ensure that moving parts have stopped rotating before leaving the appliance unattended and before changing, cleaning or inspecting any parts of the appliance.

- ◆ Before using the appliance, check that your cutting path is free from sticks, stones, wire and any other objects.
- ◆ Only use the appliance in the correct position, with the cutting line near the ground, as shown in the illustrations. Never switch the appliance on in any other position.
- ◆ Switch on the appliance only when hands and feet are away from the cutting line.
- ◆ Avoid body contact with the cutting line while the appliance is running.
- ◆ Do not work on steep slopes. Be sure of your footing. Be aware that freshly cut grass is damp and slippery.
- ◆ Take care when trimming near borders and gravel paths or roads, as stones and soil may be moved by the cutting line.
- ◆ Do not put the appliance down until the cutting line has come to a complete standstill.
- ◆ Use only the appropriate type of Black & Decker cutting line. Never use metal cutting line or fishing line.
- ◆ Take care to avoid injury from the line trimming blade. Do not touch the blade. After extending new cutting line, always return the appliance to its normal operating position before switching on.
- ◆ Take care to keep the mains cable away from the cutting line. Always be aware of the position of the cable.

### ELECTRICAL SAFETY

The appliance has been designed for one voltage only. Always check that the power supply corresponds to the voltage on the rating plate.



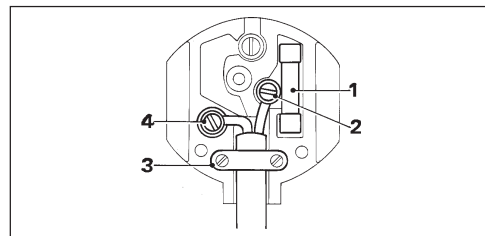
This appliance is designed for use on AC (mains) power supplies only. Do not attempt to use on any other supply.



This appliance is double insulated in accordance with EN 60335; therefore no earth wire is required.

- ◆ Prevent body contact with earthed or grounded surfaces (e.g. metal railings, lamp-posts etc.).
- ◆ Electric safety can be further improved by using a high-sensitivity (30 mA / 30 mS) residual current device (RCD).

### Mains plug replacement (U.K. & Ireland only)



- ◆ Should your mains plug need replacing and you are competent to do this, proceed as instructed below. If you are in doubt, contact an authorised repair agent or a qualified electrician.
- ◆ Disconnect the plug from the supply and remove the fuse from the plug.
- ◆ Cut off the plug and dispose of it safely; a plug with bared copper conductors is dangerous if engaged in a live socket outlet.
- ◆ Only fit 13 Amperes BS1363A approved plugs fitted with the correctly rated fuse (1). Use 5 Amperes fuses.
- ◆ The cable wire colours, or a letter, will be marked at the connection points of most good quality plugs. Attach the wires to their respective points in the plug (see above). Brown is for Live (L) (2), blue is for Neutral (N) (4).
- ◆ Before replacing the top cover of the mains plug ensure that the cable restraint (3) is holding the outer sheath of the cable firmly and that the leads are correctly fixed at the terminal screws.
- ◆ If the plug has a fuse cover, make sure that the fuse cover is fitted. Do not use the plug if the fuse cover is missing or damaged.





## ENGLISH



Never use a light socket.

### Using an extension cable

Always use an approved extension cable suitable for the power input of this appliance (see rating plate). The extension cable must be suitable for outdoor use.

- ◆ Before use, inspect the cable for signs of damage, wear and ageing. Replace the extension cable if damaged or defective.
- ◆ When using a cable reel, always unwind the cable completely.
- ◆ Take care to keep the cable away from the cutting line. Always be aware of the position of the cable.

### CARTON CONTENTS

The carton contains:

- 1 Grass trimmer
- 1 Guard with mounting screw
- 1 Plant protector incl. parts pack (GL660P/GL670P only)
- 1 Instruction manual

- ◆ Carefully unpack all parts.

### OVERVIEW (fig. A)

1. On/off switch
2. Handle
3. Cable restraint
4. Power inlet (not for UK)
5. Secondary handle
6. Handle button (GL670/GL670P)
7. Locking ring
8. Cable storage hooks
9. Motor housing
10. Pedal (GL670/GL670P)
11. Guard
12. Line trimming blade
13. Edge guide
14. Spool housing
15. Cutting line

### ASSEMBLY



Before assembly, make sure that the tool is switched off and unplugged.

### Fitting the guard (fig. B)

- ◆ Unplug the tool.
- ◆ Remove the screw (16) from the housing.
- ◆ Place the guard (11) onto the tool as shown.
- ◆ Firmly press the guard until it snaps into place.
- ◆ Secure the guard with the screw (16).



Never use the tool unless the guard is properly fitted.

### Releasing the cutting line (fig. A)

In transit, the cutting line is taped to the spool housing.

- ◆ Remove the tape holding the cutting line (15) to the spool housing (14).

### Fitting the plant protector (fig. C)

The plant protector is supplied as a standard accessory with the GL660P & GL670P. For other models, it is available as an optional accessory.

- ◆ Place the plant protector (17) over the guard as shown. Make sure that the orientation is correct.
- ◆ Place the two plastic caps (18) onto the plant protector, aligning any of the marks (19) on the caps with those on the guard (11).
- ◆ Secure the caps using the screws (20). Do not overtighten the screws.



Wait until the cutting line has come to a standstill before adjusting the plant protector.

### Connecting the tool to the mains (fig. A)

- ◆ Connect the female plug of a suitable extension cable to the power inlet (4).
- ◆ Loop the cable through the cable restraint as shown in fig. O.
- ◆ Insert the mains plug into a mains outlet.



The extension cable must be suitable for outdoor use.

### USE



Let the tool work at its own pace. Do not overload.



## ENGLISH

### **Setting the tool to trimming or edging mode (fig. D, E & F)**

The tool can be used in trimming mode as shown in fig. D or in edging mode to trim overhanging grass along lawn edges and flower beds as shown in fig. E.

#### **Trimming mode (fig. D & F)**

For trimming, the trimmer head should be in the position shown in fig. D. If it is not:

- ◆ Turn the locking ring (7) counterclockwise.
- ◆ Rotate the trimmer body counterclockwise until the trimmer head engages in the trimming position.
- ◆ Tighten the locking ring by turning it clockwise.

#### **Edging mode (fig. E & F)**

For edging, the trimmer head should be in the position shown in fig. E. If it is not:

- ◆ Turn the locking ring (7) counterclockwise.
- ◆ Rotate the trimmer body clockwise until the trimmer head engages in the edging position.
- ◆ Tighten the locking ring by turning it clockwise.

### **GL670/GL670P - Adjusting the position of the secondary handle (fig. A & G)**

The secondary handle can be adjusted to provide optimum balance and comfort.

- ◆ Let the guard (11) rest on the ground.
- ◆ While keeping the handle button (6) depressed, move the handle (5) into the desired position.
- ◆ Release the handle button.

### **GL660/GL660P/GL670/GL670P - Adjusting the height of the tool (fig. A & H)**

This tool has a telescopic body, allowing you to set it to a comfortable height.

- ◆ Let the guard (11) rest on the ground.
- ◆ Turn the locking ring (7) counterclockwise.
- ◆ Move the switch handle up or down to the desired height.
- ◆ Tighten the locking ring by turning it clockwise.

### **GL670/GL670P - Adjusting the trimmer head angle (fig. I)**

The adjustable trimmer head angle allows you to set the optimum trimming angle regardless of your length.

It also allows you to trim under benches and shrubs.

- ◆ Let the guard (11) rest on the ground.
- ◆ Keeping the pedal (10) depressed with your foot, move the switch handle up or down as required.
- ◆ Release the pedal.

### **Switching on and off (fig. A)**

- ◆ To switch the tool on, push the on/off switch (1).
- ◆ To switch the tool off, release the on/off switch.



Never attempt to lock a switch in the on position.

### **Hints for optimum use**

#### **Trimming**

- ◆ Hold the tool as shown in fig. D.
- ◆ Gently swing the trimmer from side to side as shown in fig. D.
- ◆ When cutting long grass, work in stages from the top. Take small cuts.
- ◆ Keep the tool away from hard objects and delicate plants.
- ◆ If the tool starts running slowly, reduce the load.

#### **Edging**

Optimum cutting results are achieved on edges deeper than 50 mm.

- ◆ Do not use the tool to create edges. To create edges, use an edging spade.
- ◆ Guide the tool as shown in fig. E. Keep the edge guide against the lawn edge.
- ◆ To make a closer cut, slightly tilt the tool.

#### **General**

- ◆ In order to achieve optimum cutting results, only cut dry grass.

### **GL660P/GL670P - Using the plant protector (fig. J)**

The plant protector will help you to protect plants while trimming along lawn edges.

- ◆ In trimming mode, set the plant protector to position A.
- ◆ In edging mode, set the plant protector to position B or C.





## ENGLISH

- ◆ When there are no plants near the cutting area, set the plant protector to position D.

### MAINTENANCE

Your Black & Decker tool has been designed to operate over a long period of time with a minimum of maintenance. Continuous satisfactory operation depends upon proper tool care and regular cleaning.



Before performing any maintenance, switch off and unplug the tool.

- ◆ Regularly clean the ventilation slots in your tool using a soft brush or dry cloth.
- ◆ Regularly clean the cutting line and spool using a soft brush or dry cloth.
- ◆ Regularly use a blunt scraper to remove grass and dirt from the underneath of the guard.

### Fitting a new spool of cutting line (fig. K & L)

Replacement spools of cutting line are available from your Black & Decker dealer (cat. no. A6441). Complete cassettes containing a spool of cutting line are also available (cat. no. A6442).

- ◆ Unplug the tool.
- ◆ Keep the tabs (21) depressed and remove the spool cover (22) from the housing (23) (fig. K).
- ◆ Remove the empty spool (24) from the spool cover.
- ◆ Remove any dirt and grass from the spool cover and housing.
- ◆ Take the new spool and push it onto the boss in the spool cover. Rotate the spool slightly until it is seated.
- ◆ Unclip the end of one of the cutting lines and guide the line into one of the eyelets (25) (fig. L). The line should protrude approx. 9 cm from the spool cover.
- ◆ Unclip the end of the other cutting line and guide the line into the other eyelet. The line should protrude approx. 9 cm from the spool cover.
- ◆ Align the tabs (21) on the spool cover with the holes (26) in the housing (fig. K).
- ◆ Push the cover onto the housing until it snaps securely into place.



If the cutting lines protrude beyond the trimming blade (12), cut them off so that they just reach the blade.

### Winding new line onto an empty spool (fig. M, N & P)

You may wind new cutting line onto an empty spool. Replacement packs of cutting line are available from your Black & Decker dealer (cat. no. A6440).

- ◆ Remove the empty spool from the tool as described above.
- ◆ Remove any remaining cutting line from the spool.
- ◆ First wind new line onto the uppermost part of the spool:
  - Feed 2 cm of cutting line into one of the slots in the upper section of the spool as shown.
  - Wind the cutting line onto the spool in the direction of the arrow. Make sure to wind the line on neatly and in layers. Do not criss-cross.
  - When the wound cutting line reaches the recesses (28), cut the line.
  - Temporarily park the line in the slots (27) on one side of the spool as shown.
- ◆ Repeat the above procedure for the second cutting line on the lower section of the spool. Park the line in the unused slots (27).
- ◆ Proceed as described above to fit the spool on the tool. Do not forget to release the cutting line from the parking slots (27).



Only use the appropriate type of Black & Decker cutting line. Ensure that cutting line is present in both sections of the spool (fig. P).

### TROUBLESHOOTING

If your tool seems not to operate properly, follow the instructions below. If this does not solve the problem, please contact your local Black & Decker repair agent.



Before proceeding, unplug the tool.



## ENGLISH

### **Tool runs slowly**

- ◆ Check that the spool housing can rotate freely. Carefully clean it if necessary.
- ◆ Check that the cutting line does not protrude more than 9 cm from the spool housing. If it does, cut it off so that it just reaches the line trimming blade.

### **Automatic line feed does not work**

- ◆ Keep the tabs depressed and remove the spool cover from the housing.
- ◆ Pull the cutting line until it protrudes 9 cm from the housing. If insufficient cutting line is left on the spool, install a new spool of cutting line as instructed above.
- ◆ Align the tabs on the spool cover with the holes in the housing.
- ◆ Push the cover onto the housing until it snaps securely into place.
- ◆ If the cutting line protrudes beyond the trimming blade, cut it off so that it just reaches the blade.

If the automatic line feed still does not work or the spool is jammed, try the following suggestions:

- ◆ Carefully clean the spool cover and housing.
- ◆ Remove the spool and check if the lever can move freely.
- ◆ Remove the spool and unwind the cutting line, then wind it on neatly again as described above. Replace the spool as instructed.

### **PROTECTING THE ENVIRONMENT**



Should you find one day that your tool needs replacement, or if it is of no further use to you, think of the protection of the environment. Black & Decker repair agents will accept old Black & Decker tools and ensure that they are disposed of in an environmentally safe way.

### **GUARANTEE**

**The Black & Decker lawn and garden guarantee provides: 36 months parts and 12 months labour cover in the UK, 24 months parts and labour cover in South Africa, Australia and New Zealand. Proof of purchase will be required.**

Should your Black & Decker product become defective within the guarantee period due to faulty materials or workmanship, we guarantee to either replace all defective parts or -at our discretion- to replace the unit free of charge, provided that:

- ◆ The product is returned to us or one of our authorised repair agents with proof of purchase.
  - ◆ The product has been used within the parameters of its consumer classification.
  - ◆ The product has not been used for hire purposes.
  - ◆ Repairs have not been attempted by anyone other than our authorised repair agents.
  - ◆ The failure represents normal wear and tear.
- This guarantee is offered as an extra benefit and does not affect your statutory rights.

### **The guarantee policy**

The following failures are not covered by the above guarantee:

- ◆ Replacing worn or damaged blades, nylon lines, chains and power cables. These items are regarded as replacement items which wear during normal usage.
- ◆ Failures as a result of sudden impact or obvious abuse.
- ◆ Failures due to usage not in accordance with instructions and recommendations contained in this manual.

**The use of other than genuine Black & Decker accessories and parts may cause decreased performance or damage to the product and will render the guarantee void.**

### **AFTER SALES SERVICE**

Full details on our after-sales service are available on the Internet at [www.2helpU.com](http://www.2helpU.com). Alternatively, contact our Service and Information Centre at the address towards the back of this manual.

It is our aim that all Black & Decker customers should be totally satisfied with their Black & Decker product and our after sales service. If any help or advice is needed, please contact your local Black & Decker repair agent.



## ENGLISH

If your product needs repair, please take or send it to an authorised repair agent, providing proof of purchase if claiming a guarantee repair. Black & Decker offers a nationwide network of authorised repair agents.

Full details on our after sales service can be obtained from any of our authorised repair agents.

### OTHER OUTDOOR TOOLS

Black & Decker has a full range of outdoor power tools that make life in the garden easy. If you would like further information on the following products, please contact our Service and Information Centre (see the address page towards the end of this manual) or your local Black & Decker retailer.

String trimmers	Chainsaws
Cordless shear	Hedgetrimmers
Lawnmowers	Lawnrakers
Leafbusters	Shredders

Not all products are available in all countries.



# DEUTSCH

## RASENTRIMMER GL650/GL660/GL660P/GL670/GL670P

### HERZLICHEN GLÜCKWUNSCH!


Sie haben sich für ein Gerät von Black & Decker entschieden. Wir möchten Qualitätsgeräte zu einem erschwinglichen Preis bieten. Wir hoffen, daß Sie dieses Gerät viele Jahre mit Freude verwenden werden.

### EU-KONFORMITÄTSERKLÄRUNG

**CE** GL650/GL660/GL660P/GL670/GL670P  
Black & Decker erklärt hiermit, daß diese Geräte entsprechend folgenden Richtlinien und Normen konzipiert wurden: 98/37/EWG, 89/336/EWG, 73/23/EWG, EN 60335, EN 55014, EN 61000

Höhe des Schalldrucks, gemessen nach 84/538/EWG:

		GL650	GL660	GL670
			GL660P	GL670P
$L_{pA}$ (Schalldruck)	dB(A)	83	83	83
$L_{WA}$ (Schalleistung)	dB(A)	96	96	96

 Tragen Sie bei einem Schalldruck über 85 dB(A) einen Gehörschutz.

Gewichteter Effektivwert der Beschleunigung nach 98/37/EWG:

GL650	GL660	GL660P	GL670	GL670P
< 2,5 m/s <sup>2</sup>	< 2,5 m/s <sup>2</sup>	< 2,5 m/s <sup>2</sup>	< 2,5 m/s <sup>2</sup>	< 2,5 m/s <sup>2</sup>

Brian Cooke  
Director of Engineering  
Spennymoor, County Durham DL16 6JG,  
United Kingdom

### BESTIMMUNGSGEMÄSSE


#### VERWENDUNG

Ihr Black & Decker Rasentrimmer GL650/GL660/GL660P/GL670/GL670P wurde zum Trimmen von Rasen, zum Beschneiden von Rasenkanten sowie zum Schneiden von Gras an schwer zugänglichen Stellen entwickelt. Dieses Gerät ist nicht für den gewerblichen Einsatz vorgesehen.


### SICHERHEITSHINWEISE

#### Warnsymbole


Folgende Warnsymbole werden in dieser Anleitung verwendet:

 Verletzungsgefahr, Lebensgefahr oder mögliche Beschädigung des Geräts infolge der Nichtbeachtung der Anweisungen dieser Anleitung!

 Gefahr eines elektrischen Schlages.

 Lesen Sie vor der Inbetriebnahme die Anleitung.

#### Kennen Sie Ihr Gerät

-  **Warnung!** Bei der Verwendung elektrischer Geräte sind zum Schutz gegen Feuergefahr, gegen elektrischen Schlag sowie gegen Körperschaden grundlegende Sicherheitsmaßnahmen, einschließlich der folgenden Vorschriften, zu beachten.
- Lesen Sie diese Anleitung gründlich durch, bevor Sie das Gerät verwenden.
- Informieren Sie sich vor der Inbetriebnahme, wie Sie das Gerät im Notfall ausschalten.







## DEUTSCH

- ◆ Die bestimmungsgemäße Verwendung ist in dieser Betriebsanleitung beschrieben. Das Verwenden anderer als der in dieser Anleitung empfohlenen Vorsatzgeräte und Zubehörteile oder die Ausführung von Arbeiten mit diesem Gerät, die nicht der bestimmungsgemäßen Verwendung entsprechen, kann zu Unfallgefahren führen.
- ◆ Bewahren Sie diese Anleitung auf.

### Arbeitsbereich

- ◆ Setzen Sie das Gerät keinem Regen aus. Verwenden Sie das Gerät nicht in einer feuchten oder nassen Umgebung.
- ◆ Verwenden Sie das Gerät nur bei Tageslicht oder guter künstlicher Beleuchtung.

### Schutzmaßnahmen

- ◆ Tragen Sie zum Schutz Ihrer Füße feste Schuhe oder Stiefel. Verwenden Sie das Gerät nicht barfuß oder mit offenen Sandalen.
- ◆ Tragen Sie zum Schutz Ihrer Beine lange Hosen.

### Verwendung des Geräts

- ◆ Vergewissern Sie sich, daß das Gerät ausgeschaltet ist, wenn Sie es an die Stromversorgung anschließen.
- ◆ Seien Sie stets aufmerksam. Konzentrieren Sie sich auf Ihre Arbeit. Gehen Sie vernünftig vor.
- ◆ Verwenden Sie das Gerät nicht, wenn Sie müde sind.
- ◆ Falls das Gerät stark vibriert, schalten Sie es aus und ziehen Sie den Netzstecker. Lassen Sie rotierende Teile zum Stillstand kommen und überprüfen Sie das Gerät auf Beschädigungen und lockere Teile.
- ◆ Benutzen Sie das Kabel nicht, um den Stecker aus der Steckdose zu ziehen. Schützen Sie das Kabel vor Hitze, Öl und scharfen Kanten.
- ◆ Falls das Netzkabel während des Gebrauchs beschädigt wird, schalten Sie das Gerät sofort aus und ziehen Sie den Netzstecker. **Berühren Sie das Netzkabel nicht, bevor Sie den Netzstecker gezogen haben.**

### Sicherheit anderer Personen

- ◆ Untersagen Sie Kindern sowie Personen, die sich mit dem Inhalt dieser Anleitung nicht auskennen, die Verwendung dieses Geräts.
- ◆ Halten Sie Kinder, Besucher und Tiere dem Arbeitsbereich fern und sorgen Sie dafür, daß Sie das Gerät und das Netzkabel nicht berühren.
- ◆ Denken Sie daran, daß der Benutzer für Unfälle und Schäden haftet.

### Nach dem Gebrauch

- ◆ Schalten Sie das Gerät aus, ziehen Sie den Netzstecker und vergewissern Sie sich, daß rotierende Teile zum Stillstand gekommen sind, bevor Sie das Gerät unbeaufsichtigt zurücklassen und bevor Sie irgendwelche Teile des Gerätes austauschen, reinigen oder überprüfen.
- ◆ Unbenutzte Geräte sind an einem trockenen Ort aufzubewahren. Kinder sollten keinen Zugang zu aufbewahrten Geräten haben.

### Inspektion und Reparaturen

- ◆ Überprüfen Sie das Gerät vor dem Gebrauch auf beschädigte oder defekte Teile. Überprüfen Sie, ob alle beweglichen Teile richtig montiert sind, ob keine Teile gebrochen sind, ob keine Schutzvorrichtungen und Schalter beschädigt sind, und ob irgendwelche andere Schäden den einwandfreien Betrieb des Gerätes beeinträchtigen könnten.
- ◆ Benutzen Sie das Gerät nicht, wenn irgendein Teil defekt ist. Verwenden Sie das Gerät nicht, wenn der Ein-/Aus-Schalter nicht funktioniert.
- ◆ Verwenden Sie das Gerät auf keinen Fall, wenn eine Schutzvorrichtung oder Abdeckung beschädigt ist bzw. fehlt.
- ◆ Vergewissern Sie sich, daß das Gerät ordnungsgemäß funktionieren wird.
- ◆ Lassen Sie defekte Teile immer von einer unserer Kundendienstwerkstätten reparieren oder austauschen.
- ◆ Überprüfen Sie vor dem Gebrauch das Netzkabel auf Beschädigung, Alterung und Verschleiß.
- ◆ Benutzen Sie das Gerät nicht, wenn das Netzkabel beschädigt oder defekt ist.

## DEUTSCH

- ◆ Falls das Netzkabel beschädigt oder defekt ist, ist es von einer autorisierten Reparaturwerkstatt auszutauschen, um Gefahren vorzubeugen.
- ◆ Versuchen Sie nie, irgendwelche Teile zu entfernen oder auszutauschen, wenn dies in der Anleitung nicht beschrieben wird.

### Zusätzliche Sicherheitshinweise für Rasentrimmer

Das Gerät ist mit folgendem Symbol versehen:



Tragen Sie bei der Verwendung dieses Geräts eine Schutzbrille!



Nach dem Ausschalten des Gerätes läuft der Schneidfaden noch einige Sekunden lang nach. Versuchen Sie nie, den Schneidfaden anzuhalten.



Halten Sie Umstehende und Tiere dem Arbeitsbereich mindestens 6 m fern.



Setzen Sie das Gerät keinem Regen oder hoher Feuchtigkeit aus.



Schalten Sie das Gerät aus, ziehen Sie den Netzstecker und vergewissern Sie sich, daß rotierende Teile zum Stillstand gekommen sind, bevor Sie das Gerät unbeaufsichtigt zurücklassen und bevor Sie irgendwelche Teile des Gerätes austauschen, reinigen oder überprüfen.

- ◆ Bevor Sie das Gerät verwenden, vergewissern Sie sich, daß der Arbeitsbereich frei von Steinen, Draht und anderen Fremdkörpern ist.
- ◆ Verwenden Sie das Gerät nur in der korrekten Position, mit dem Schneidfaden nahe am Boden (siehe Abbildungen). Schalten Sie das Gerät nie ein, wenn es sich in einer anderen Position befindet.
- ◆ Schalten Sie das Gerät nicht ein, wenn sich Hände oder Füße im Bereich des Schneidfadens befinden.
- ◆ Berühren Sie nie den Schneidfaden, während das Gerät läuft.

- ◆ Arbeiten Sie nicht auf steilen Hängen. Achten Sie auf einen sicheren Stand. Beachten Sie, daß frisch geschnittenes Gras feucht und schlüpfrig ist.
- ◆ Gehen Sie beim Trimmen entlang Rasenkanten sowie in der Nähe von Kiespfaden und -wegen vorsichtig vor, da Steine und Erde durch den Schneidfaden weggeschleudert werden können.
- ◆ Legen Sie das Gerät nicht ab, bevor der Schneidfaden zum Stillstand gekommen ist.
- ◆ Verwenden Sie nur Black & Decker Schneidfäden vom richtigen Typ. Verwenden Sie nie Schneidfäden aus Metall oder Angelschnur.
- ◆ Seien Sie vorsichtig, damit Sie sich nicht am Faden-Kappmesser verletzen. Berühren Sie das Messer nicht. Nach dem Verlängern des Schneidfadens bringen Sie das Gerät wieder in die Betriebsposition, bevor Sie es einschalten.
- ◆ Halten Sie das Netzkabel dem Schneidfaden fern. Achten Sie immer auf die Position des Kabels.

### ELEKTRISCHE SICHERHEIT

Das Gerät wurde für nur eine bestimmte Spannung konzipiert. Überprüfen Sie deswegen, ob die Netzspannung der auf dem Typenschild angegebenen Spannung entspricht.



Dieses Gerät wurde ausschließlich für Wechselstrombetrieb (Lichtnetz) ausgelegt. Versuchen Sie nicht, das Gerät mit einer anderen Stromversorgung zu betreiben.



Dieses Gerät ist gemäß EN 60335 doppelt isoliert; eine Erdleitung ist somit nicht erforderlich.



Bei Ersatz des Netzkabels achten Sie auf Verwendung des Schweizer Netzsteckers: Typ 11 für Geräte Klasse II (Doppelisolierung)

- ◆ Vermeiden Sie eine Berührung des Körpers mit geerdeten Gegenständen (z.B. Metallgeländer, Laternenpfähle usw.).
- ◆ Die elektrische Sicherheit läßt sich durch Verwendung eines Fehlerstrom-Schutzschalters (30 mA/30 mS) weiter erhöhen.



## DEUTSCH

### Verlängerungskabel

Verwenden Sie nur zugelassene Verlängerungskabel, die sich für die Leistungsaufnahme des Geräts eignen (siehe Typenschild). Das Verlängerungskabel muß für den Einsatz im Freien geeignet sein.

- ◆ Überprüfen Sie vor dem Gebrauch das Netzkabel auf Beschädigung, Alterung und Verschleiß. Tauschen Sie ein beschädigtes oder defektes Verlängerungskabel aus.
- ◆ Rollen Sie das Kabel bei Verwendung einer Kabelrolle immer völlig aus.
- ◆ Halten Sie das Kabel dem Schneidfaden fern. Achten Sie immer auf die Position des Kabels.

### INHALT DER VERPACKUNG

Die Verpackung enthält:

- 1 Rasentrimmer
- 1 Schutzhaube mit Befestigungsschraube
- 1 Pflanzenschutz-Visier mit Montagematerial (nur GL660P/GL670P)
- 1 Bedienungsanleitung

- ◆ Packen Sie sorgfältig alle Teile aus.

### GERÄTEBESCHREIBUNG (Abb. A)

1. Ein-/Aus-Schalter
2. Handgriff
3. Kabelzugentlastung
4. Netzanschluß
5. Zusatzhandgriff
6. Feststellknopf für Zweithandgriff (GL670/GL670P)
7. Manschette
8. Kabelaufwicklung
9. Motorgehäuse
10. Fußtaste (GL670/GL670P)
11. Schutzhaube
12. Faden-Kappmesser
13. Kantenführungsschiene
14. Spulengehäuse
15. Schneidfaden

### MONTAGE



Vergewissern Sie sich vor der Montage, daß das Gerät ausgeschaltet ist und daß der Netzstecker gezogen wurde.

### Montieren der Schutzhaube (Abb. B)

- ◆ Ziehen Sie den Netzstecker.
- ◆ Entfernen Sie die Schraube (16) aus dem Gehäuse.
- ◆ Bringen Sie die Schutzhaube (11) gemäß der Abbildung auf dem Gerät an.
- ◆ Drücken Sie die Schutzhaube auf das Gerät, bis sie einrastet.
- ◆ Befestigen Sie die Schutzhaube mit Hilfe der Schraube (16).



Verwenden Sie das Gerät nur, wenn die Schutzhaube ordnungsgemäß montiert ist.

### Lösen des Schneidfadens (Abb. A)

Ab Werk ist der Schneidfaden mit Klebeband am Spulengehäuse befestigt.

- ◆ Entfernen Sie das Klebeband, mit dem der Schneidfaden (15) am Spulengehäuse (14) befestigt ist.

### Montieren des Pflanzenschutz-Visiers (Abb. C)

Das Pflanzenschutz-Visier ist nur im Lieferumfang des GL660P und GL670P enthalten. Für die anderen Modelle ist es als Zubehör erhältlich.

- ◆ Bringen Sie das Pflanzenschutz-Visier (17) gemäß der Abbildung an der Schutzhaube an. Vergewissern Sie sich, daß das Visier richtig herum montiert wird.
- ◆ Bringen Sie die zwei Kunststoffkappen (18) auf dem Pflanzenschutz-Visier an. Richten Sie dabei die Markierungen (19) auf den Kappen mit denen auf der Schutzhaube (11) aus.
- ◆ Befestigen Sie die Kappen mit Hilfe der Schrauben (20). Ziehen Sie die Schrauben nicht zu fest an.



Warten Sie, bis der Schneidfaden zum Stillstand gekommen ist, bevor Sie das Pflanzenschutz-Visier einstellen.

### Anschließen an die Stromversorgung (Abb. A)

- ◆ Schließen Sie die Steckerbuchse eines geeigneten Verlängerungskabels an den Netzanschluß (4) an.
- ◆ Haken Sie das Kabel gemäß Abb. O in die Kabelzugentlastung ein.
- ◆ Stecken Sie den Netzstecker in eine Steckdose.



## DEUTSCH



Das Verlängerungskabel muß für den Einsatz im Freien geeignet sein.

### GEBRAUCH



Beschleunigen Sie den Arbeitsvorgang nicht mit Gewalt. Vermeiden Sie eine Überlastung des Gerätes.

#### **Einstellen des Gerätes auf Trimmen oder Kantenschneiden (Abb. D, E & F)**

Dieses Gerät kann sowohl zum Trimmen wie in Abb. D als auch zum Kantenschneiden (Beschneiden überhängenden Grases entlang Rasenkanten und Blumenbeeten) wie in Abb. E verwendet werden.

##### **Trimmen (Abb. D & F)**

Zum Trimmen sollte der Kopf des Gerätes sich in der in Abb. D gezeigten Position befinden.

Falls nicht:

- ◆ Drehen Sie die Manschette (7) entgegen dem Uhrzeigersinn.
- ◆ Drehen Sie das Trimmergehäuse entgegen dem Uhrzeigersinn, bis der Gerätekopf in der Trimm-Position einrastet.
- ◆ Ziehen Sie die Manschette fest, indem Sie sie im Uhrzeigersinn drehen.

##### **Kantenschneiden (Abb. E & F)**

Zum Kantenschneiden sollte der Kopf des Gerätes sich in der in Abb. E gezeigten Position befinden.

Falls nicht:

- ◆ Drehen Sie die Manschette (7) entgegen dem Uhrzeigersinn.
- ◆ Drehen Sie das Trimmergehäuse im Uhrzeigersinn, bis der Gerätekopf in der Kantenschneid-Position einrastet.
- ◆ Ziehen Sie die Manschette fest, indem Sie sie im Uhrzeigersinn drehen.

#### **GL670/GL670P - Einstellen der Position des Zweithandgriffes (Abb. A & G)**

Der Zweithandgriff läßt sich einstellen, damit Sie in optimaler Haltung arbeiten können.

- ◆ Setzen Sie das Gerät mit der Schutzhaube (11) auf den Boden.

- ◆ Während Sie den Feststellknopf (6) gedrückt halten, bewegen Sie den Handgriff (5) in die gewünschte Position.
- ◆ Lassen Sie den Feststellknopf los.

#### **GL660/GL660P/GL670/GL670P - Verstellen der Gerätehöhe (Abb. A & H)**

Dieses Gerät hat einen Teleskopschaft, so daß Sie es auf eine komfortable Höhe einstellen können.

- ◆ Setzen Sie das Gerät mit der Schutzhaube (11) auf den Boden.
- ◆ Drehen Sie die Manschette (7) entgegen dem Uhrzeigersinn.
- ◆ Bewegen Sie den Handgriff in die gewünschte Höhe.
- ◆ Ziehen Sie die Manschette fest, indem Sie sie im Uhrzeigersinn drehen.

#### **GL670/GL670P - Verstellen des Schnittwinkels (Abb. I)**

Der verstellbare Gerätekopf erlaubt es Ihnen, unabhängig von Ihrer Länge den optimalen Trimmwinkel einzustellen. Er ermöglicht auch das Trimmen unter Bänken und Sträuchern.

- ◆ Setzen Sie das Gerät mit der Schutzhaube (11) auf den Boden.
- ◆ Während Sie die Fußtaste (10) mit dem Fuß gedrückt halten, bewegen Sie den Handgriff nach oben oder nach unten, um den gewünschten Winkel einzustellen.
- ◆ Lassen Sie die Fußtaste los.

#### **Ein- und Ausschalten (Abb. A)**

- ◆ Um das Gerät einzuschalten, drücken Sie den Ein-/Aus-Schalter (1).
- ◆ Um das Gerät auszuschalten, lassen Sie den Ein-/Aus-Schalter los.



Versuchen Sie nie, einen Schalter in eingeschaltetem Zustand zu verriegeln.

#### **Ratschläge für optimale Arbeitsergebnisse**

##### **Trimmen**

- ◆ Halten Sie das Gerät, wie in Abb. D dargestellt.
- ◆ Schwingen Sie den Rasentrimmer leicht hin und her, wie in Abb. D dargestellt.





## DEUTSCH

- ◆ Bei langem Gras arbeiten Sie stufenweise in kleinen Schritten von oben nach unten.
- ◆ Halten Sie das Gerät harten Gegenständen und empfindlichen Pflanzen fern.
- ◆ Falls das Gerät anfängt, langsam zu laufen, verringern Sie die Belastung.

### Kantenschneiden

Optimale Schnittergebnisse erhalten Sie bei Kanten mit einer Tiefe von mindestens 50 mm.

- ◆ Verwenden Sie das Gerät nicht zum Bilden neuer Kanten. Zum Bilden von Kanten verwenden Sie einen Kantenspaten.
- ◆ Führen Sie das Gerät, wie in Abb. E dargestellt. Halten Sie die Kantenführungsschiene dicht an die Rasenkante.
- ◆ Um einen kürzeren Schnitt zu erzielen, verkanten Sie das Gerät ein wenig.

### Allgemeines

- ◆ Um optimale Schnittergebnisse zu erzielen, schneiden Sie nur trockenes Gras.

### GL660P/GL670P -

#### Verwenden des Pflanzenschutz-Visiers (Abb. J)

Das Pflanzenschutz-Visier wird zum Schutz von Pflanzen an Rasenkanten verwendet.

- ◆ Im Trimm-Modus klappen Sie das Pflanzenschutz-Visier in Position A.
- ◆ Im Kantenschneid-Modus klappen Sie das Pflanzenschutz-Visier in Position B oder C.
- ◆ Falls sich keine Pflanzen im Arbeitsbereich befinden, klappen Sie das Pflanzenschutz-Visier in Position D.

### WARTUNG

Ihr Black & Decker Gerät wurde für eine lange Lebensdauer und einen möglichst geringen Wartungsaufwand entwickelt. Ein dauerhafter, einwandfreier Betrieb setzt eine regelmäßige Reinigung voraus.



Bevor Sie irgendwelche Wartungsarbeiten vornehmen, schalten Sie das Gerät aus und ziehen Sie den Netzstecker.

- ◆ Reinigen Sie regelmäßig die Lüftungsschlitze im Gerät mit Hilfe einer weichen Bürste oder eines trockenen Tuches.
- ◆ Reinigen Sie regelmäßig den Schneidfaden und die Fadenspule mit Hilfe einer weichen Bürste oder eines trockenen Tuches.
- ◆ Verwenden Sie regelmäßig einen stumpfen Schaber, um Gras und Schmutzreste von der Unterseite der Schutzhaube zu entfernen.

### Anbringen einer neuen Fadenspule (Abb. K & L)

Neue Spulen mit Schneidfaden sind bei Ihrem Black & Decker Händler erhältlich (Bestellnummer A6441). Es sind auch komplette Kassetten mit einer Spule mit Schneidfaden erhältlich (Bestellnummer A6442).

- ◆ Ziehen Sie den Netzstecker.
- ◆ Halten Sie die Laschen (21) gedrückt und entfernen Sie den Deckel (22) vom Spulengehäuse (23) (Abb. K).
- ◆ Entfernen Sie die leere Spule (24) vom Spulendeckel.
- ◆ Entfernen Sie Schmutzreste und Gras vom Spulendeckel und aus dem Gehäuse.
- ◆ Nehmen Sie die neue Spule und drücken Sie sie auf den Zapfen im Spulendeckel. Drehen Sie die Spule ein wenig, bis sie einrastet.
- ◆ Lösen Sie das Ende eines der Schneidfaden und führen Sie den Faden in eine der Ösen (25) (Abb. L). Der Schneidfaden sollte ca. 9 cm aus dem Spulendeckel hervorstehen.
- ◆ Lösen Sie das Ende des anderen Schneidfadens und führen Sie den Faden in die andere Öse. Der Schneidfaden sollte ca. 9 cm aus dem Spulendeckel hervorstehen.
- ◆ Richten Sie die Laschen (21) am Deckel mit den Öffnungen (26) im Gehäuse aus (Abb. K).
- ◆ Drücken Sie den Deckel auf das Gehäuse, bis die Laschen sicher einrasten.



Falls der hervorstehende Teil der Schneidfäden länger ist als der Abstand von der Spule zum Faden-Kappmesser (12), schneiden Sie die Fäden ab, so daß sie gerade bis zum Faden-Kappmesser reichen.



## DEUTSCH

### **Aufwickeln neuen Fadens auf eine leere Spule (Abb. M, N & P)**

Sie können auch neuen Schneidfaden auf eine leere Spule aufwickeln. Neuer, loser Schneidfaden ist bei Ihrem Black & Decker Händler erhältlich (Bestellnummer A6440).

- ◆ Entfernen Sie die leere Spule, wie im vorigen beschrieben.
- ◆ Entfernen Sie etwaige Fadenreste von der Spule.
- ◆ Wickeln Sie zuerst neuen Faden auf den oberen Teil der Spule auf.
  - Führen Sie 2 cm Schneidfaden wie abgebildet in einen der Schlitze oben in der Spule.
  - Wickeln Sie den Schneidfaden in Richtung des Pfeils auf die Spule auf. Achten Sie darauf, daß Sie den Faden sauber und in Schichten aufwickeln. Vermeiden Sie ein kreuzweises Aufwickeln.
  - Wenn der aufgewickelte Faden die Aussparungen (28) erreicht, schneiden Sie ihn ab.
  - Klemmen Sie den Schneidfaden vorübergehend in die Schlitze (27) an einer Seite der Spule.
- ◆ Wiederholen Sie die im vorigen beschriebene Prozedur für den zweiten Schneidfaden, der auf den unteren Teil der Spule aufzuwickeln ist. Klemmen Sie den Faden in die noch freien Schlitze (27).
- ◆ Um die Spule am Gerät anzubringen, gehen Sie vor, wie im vorigen beschrieben. Vergessen Sie nicht, den Faden aus den Schlitzen (27) zu lösen.



Verwenden Sie nur Black & Decker Schneidfaden vom richtigen Typ. Achten Sie darauf, daß auf den beiden Teilen der Spule Schneidfaden angebracht ist (Abb. P).

### **STÖRUNGSBEHEBUNG**

Falls Ihr Gerät nicht ordnungsgemäß funktioniert, befolgen Sie folgende Hinweise. Falls die Störung damit nicht behoben wird, wenden Sie sich bitte an den Black & Decker Kundendienst.



Bevor Sie die folgenden Schritte vornehmen, ziehen Sie den Netzstecker.

### **Das Gerät läuft langsam**

- ◆ Überprüfen Sie, ob sich das Spulengehäuse frei drehen kann. Bei Bedarf reinigen Sie es sorgfältig.
- ◆ Überprüfen Sie, ob die Länge des aus dem Spulengehäuse hervorstehenden Schneidfadens größer als 9 cm ist. Ist dies der Fall, dann schneiden Sie den Faden ab, so daß er gerade das Faden-Kappmesser erreicht.

### **Die automatische Fadenverlängerung funktioniert nicht**

- ◆ Halten Sie die Laschen gedrückt und nehmen Sie den Deckel von der Spule.
- ◆ Ziehen Sie am Schneidfaden, bis er 9 cm aus dem Spulengehäuse hervorsteht. Falls der Schneidfaden auf der Spule nicht mehr ausreicht, setzen Sie eine neue Fadenspule ein, wie oben beschrieben.
- ◆ Richten Sie die Laschen am Deckel mit den entsprechenden Öffnungen im Gehäuse aus.
- ◆ Drücken Sie den Deckel auf das Gehäuse, bis die Laschen sicher einrasten.
- ◆ Falls der hervorstehende Teil des Schneidfadens länger ist als der Abstand vom Spulengehäuse zum Faden-Kappmesser, schneiden Sie den Faden ab, so daß er gerade bis zum Faden-Kappmesser reicht.

Falls die automatische Fadenverlängerung noch immer nicht funktioniert oder die Spule klemmt, versuchen Sie folgendes:

- ◆ Reinigen Sie sorgfältig den Spulendeckel und das Spulengehäuse.
- ◆ Entfernen Sie die Spule und überprüfen Sie, ob der darunter liegende Hebel sich frei bewegen kann.
- ◆ Entfernen Sie die Spule und wickeln Sie den Faden ab. Wickeln Sie den Faden dann wieder sauber auf, wie oben beschrieben. Bringen Sie die Spule wieder an, wie oben beschrieben.





## DEUTSCH

### UMWELTSCHUTZ



Falls Sie Ihr Gerät eines Tages ersetzen möchten oder keine Verwendung mehr dafür haben, denken Sie bitte an den Umweltschutz. Black & Decker nimmt Ihre Black & Decker Altgeräte gern zurück und sorgt für eine umweltfreundliche Entsorgung.

### GARANTIE

Sollte Ihr Black & Decker Gartengerät innerhalb von 12 Monaten nach dem Kaufdatum einen Defekt aufweisen, der auf einen Material- oder Fertigungsfehler zurückzuführen ist, garantieren wir Ihnen die kostenlose Reparatur oder den kostenlosen Ersatz des Geräts. Es gelten folgende Voraussetzungen:

- ◆ Sie schicken das Gerät mit dem Kaufbeleg an unseren Zentralkundendienst.
- ◆ Das Gerät wurde ausschließlich entsprechend der Endverbraucher-Einstufung verwendet.
- ◆ Das Gerät wurde nicht vermietet.
- ◆ Es wurden keine Reparaturversuche von anderen als den autorisierten Reparaturwerkstätten vorgenommen.

Diese Garantie wird als zusätzliche Leistung angeboten und geht über die gesetzlichen Verpflichtungen hinaus.

### Garantiebestimmungen

Folgende Defekte sind von der Garantie ausgeschlossen:

- ◆ Abgenutzte bzw. beschädigte Messer, Nylon-Schneidfaden, Sägeketten und Netzkabel. Diese Teile werden als Verschleißteile betrachtet, die sich bei normalem Gebrauch abnutzen.
- ◆ Defekte, die auf unsachgemäße Behandlung zurückzuführen sind.
- ◆ Defekte, die auf Nichteinhaltung der Vorschriften und Hinweise in dieser Anleitung zurückzuführen sind.

Es sind nur Black & Decker Zubehör- und Ersatzteile zu verwenden, die von Black & Decker ausdrücklich als zum Betrieb mit dem betreffenden Gerät geeignet bezeichnet werden. Andernfalls können Leistungseinbußen eintreten und erlischt die Garantie.

### KUNDENDIENST

Einzelheiten zum Black & Decker Kundendienst finden Sie im Internet unter [www.2helpU.com](http://www.2helpU.com). Sie können sich auch über die Adresse hinten in dieser Anleitung an unseren Kundendienst oder an Ihren Händler wenden.

Sollte Ihr Gerät einen Defekt aufweisen, so schicken Sie es bitte mit einer genauen Fehlerbeschreibung an unseren Zentralkundendienst. Falls Sie Anspruch auf Garantieleistungen machen, legen Sie dem Gerät bitte unbedingt einen Kaufbeleg bei.

### WEITERE GARTENGERÄTE

Black & Decker bietet ein großes Sortiment an Gartengeräten an, die die Gartenarbeit erheblich erleichtern. Für nähere Informationen zu den folgenden Geräten wenden Sie sich bitte an den Black & Decker Kundendienst (Adresse hinten in dieser Anleitung) oder an Ihren Händler.

Rasentrimmer	Kettensägen
Akku-Strauchscheren	Akku-Grasscheren
Heckenscheren	Rasenmäher
Rasenlüfter	Laubsauger
Häcksler	

Nicht alle Produkte sind in allen Ländern erhältlich.



**FRANÇAIS**

# COUPE BORDURES GL650/GL660/GL660P/GL670/GL670P

## FELICITATIONS !

Vous avez choisi un outil Black & Decker. Notre but est de fournir des outils de qualité au meilleur prix. Nous espérons que vous profiterez de cet outil pendant de longues années.

## DECLARATION DE CONFORMITE CE

**CE** GL650/GL660/GL660P/GL670/GL670P  
Black & Decker déclare que ces outils sont conformes aux normes: 98/37/CEE, 89/336/CEE, 73/23/CEE, EN 60335, EN 55014, EN 61000

Niveau de pression acoustique, mesuré suivant la norme 84/538/CEE:

		GL650	GL660	GL670	GL660P	GL670P
L <sub>pA</sub> (pression acoustique)	dB(A)	83	83	83		
L <sub>WA</sub> (puissance acoustique)	dB(A)	96	96	96		



Prendre les mesures nécessaires pour la protection de l'ouïe lorsque le niveau de pression acoustique est supérieur à 85 dB(A).

Niveau de vibration main/bras selon la norme 98/37/CEE:

GL650	GL660	GL660P	GL670	GL670P
< 2,5 m/s <sup>2</sup>	< 2,5 m/s <sup>2</sup>	< 2,5 m/s <sup>2</sup>	< 2,5 m/s <sup>2</sup>	< 2,5 m/s <sup>2</sup>

Brian Cooke  
Directeur du Développement  
Spennymoor, County Durham DL16 6JG,  
Royaume-Uni

## UTILISATION PREVUE

Votre coupe bordures Black & Decker GL650/GL660/GL660P/GL670/GL670P a été conçu pour tailler et arranger les bordures de pelouse ainsi que pour couper l'herbe dans des espaces réduits. Cet outil a été conçu pour une utilisation exclusivement domestique.

## INSTRUCTIONS DE SECURITE

### Symboles de prévention

Les symboles suivants sont utilisés dans le présent manuel:



Indique qu'en cas de non-respect des instructions du présent manuel, il y a risque de blessure, danger de mort ou risque de dégradation de l'outil.



Indique le risque de décharge électrique.



Lire le manuel avant d'utiliser l'outil.

### Connaissez votre outil



- ◆ **Attention!** Lors de l'utilisation d'outils électriques, observez les consignes de sécurité fondamentales, y compris celles qui suivent afin de réduire les risques d'incendie, de décharges électriques et de blessures.
- ◆ Lisez et observez attentivement les instructions avant d'utiliser l'outil.
- ◆ Avant d'utiliser l'outil, assurez-vous de savoir comment le mettre à l'arrêt en cas d'urgence.





## FRANÇAIS

- ◆ Le domaine d'utilisation de l'outil est décrit dans le présent manuel. Utilisez l'outil conformément à sa destination, afin d'éviter tout risque de blessure due à toute autre utilisation de l'outil.
- ◆ Conservez ces instructions.

### Aire de travail

- ◆ N'exposez pas l'outil à la pluie. N'exposez pas l'outil à l'humidité.
- ◆ N'utilisez l'outil qu'à la lumière du jour ou sous un éclairage artificiel suffisant.

### Protection

- ◆ Portez des chaussures ou des bottes renforcées pour vous protéger les pieds. N'utilisez pas l'outil pied nus ou en ne portant que des sandales.
- ◆ Portez un pantalon long pour vous protéger les jambes.

### Utilisation de votre outil

- ◆ Assurez-vous que l'outil est en position d'arrêt avant de le brancher.
- ◆ Faites preuve de vigilance. Observez votre travail. Faites preuve de bon sens.
- ◆ Ne pas employer l'outil en cas de fatigue.
- ◆ Si l'outil commence à vibrer de manière anormale, éteignez-le et débranchez-le. Attendez que les pièces tournantes s'arrêtent et regardez si l'outil est endommagé ou si des pièces sont mal fixées.
- ◆ Ne tirez jamais sur le câble pour débrancher. Préservez le câble de la chaleur, de l'huile et des arêtes tranchantes.
- ◆ Si le câble est endommagé pendant l'utilisation de l'outil, éteignez-le et débranchez-le immédiatement. **Ne touchez pas le câble avant d'avoir débranché l'outil.**

### Sécurité des tiers personnes

- ◆ Ne laissez jamais aucun enfant ou aucune personne non familiarisée avec ces instructions utiliser cet outil.
- ◆ Ne laissez pas les enfants, les visiteurs ou les animaux s'approcher de l'aire de travail ou toucher l'outil ou le câble d'alimentation.

- ◆ Souvenez-vous que l'utilisateur peut être tenu responsable de tout accident ou dommage subi par des tiers ou par des biens appartenant à des tiers.

### Après utilisation

- ◆ Éteignez l'outil, débranchez-le et assurez-vous que les pièces rotatives ont cessé de tourner avant d'abandonner l'outil, ou avant de changer, de nettoyer ou d'inspecter une partie de l'outil.
- ◆ Rangez l'outil dans un endroit sec. Ne laissez pas les enfants s'approcher des outils, même quand ils sont rangés.

### Vérification et réparations

- ◆ Avant d'utiliser l'outil, vérifiez qu'il n'est pas endommagé et qu'il n'y a pas de pièces défectueuses. Vérifiez l'alignement des pièces en mouvement, leur prise et toute rupture de pièces, tout dommage des protections et des interrupteurs et toute autre condition pouvant affecter le fonctionnement de l'outil.
- ◆ N'utilisez pas l'outil si une pièce est défectueuse. Ne pas utiliser l'outil si l'interrupteur marche/arrêt ne fonctionne pas.
- ◆ N'utilisez jamais l'outil si un carter ou un couvercle est endommagé ou n'est pas en place.
- ◆ Veillez à ce que l'outil fonctionne correctement et qu'il exécute les tâches pour lesquelles il est prévu.
- ◆ Faites réparer ou échangez toute pièce endommagée par un service de réparation agréé.
- ◆ Avant d'utiliser l'outil, vérifiez que le câble secteur n'est pas endommagé ni usé.
- ◆ N'utilisez pas l'outil si le câble est en mauvais état.
- ◆ Si le câble d'alimentation est endommagé, il doit être remplacé par un réparateur agréé pour éviter tout accident.
- ◆ N'essayez jamais d'enlever ou de changer des pièces autres que celles qui sont spécifiées dans ce manuel.

### Instructions de sécurité supplémentaires pour les coupe bordures

Les symboles de prévention suivant se trouvent sur l'outil :



## FRANÇAIS



Porter des lunettes de sécurité lorsque vous utilisez cet outil.



Le fil de coupe continuera de fonctionner pendant quelques secondes après l'arrêt de l'outil. Ne tentez jamais de forcer sur le fil pour qu'il s'arrête.



Les personnes et les animaux doivent se tenir à une distance d'au moins 6 m de la zone de coupe.



N'exposez pas l'outil à la pluie ou à l'humidité.



Eteignez l'outil, débranchez-le et assurez-vous que les pièces rotatives ont cessé de tourner avant de laisser l'outil sans surveillance, ou avant de changer, de nettoyer ou d'inspecter une partie de l'outil.

- ♦ Avant d'utiliser l'outil, vérifiez qu'aucun bâton, fil de fer, pierre ou tout autre obstacle n'obstrue la zone de coupe.
- ♦ Utilisez l'outil seulement en position correcte, en tenant le fil de coupe près du sol, comme l'indiquent les illustrations. N'allumez jamais l'outil dans une autre position.
- ♦ N'allumez l'outil que lorsque vos mains et vos pieds sont éloignés du fil de coupe.
- ♦ Ne touchez jamais le fil de coupe lorsque l'outil fonctionne.
- ♦ Ne travaillez pas sur un sol très pentu. Toujours tenir les deux pieds à terre et garder l'équilibre. Faites attention car l'herbe fraîchement coupée est humide et glissante.
- ♦ Prenez des précautions lorsque vous travaillez près de bordures, ou de chemins ou routes en graviers, car le fil de coupe peut provoquer des projections.
- ♦ Ne posez pas l'outil avant que le fil de coupe ne se soit complètement arrêté.
- ♦ Utilisez uniquement le bon type de fil de coupe Black & Decker. N'utilisez jamais de fil de coupe en métal ou de fil de pêche.

- ♦ Prenez garde à ne pas vous blesser avec la lame de coupe du fil. Ne touchez pas la lame. Après avoir tiré sur le fil de coupe, remettez toujours l'outil en position normale avant de l'allumer.
- ♦ Veillez à ne pas laisser le câble à proximité du fil de coupe. Surveillez toujours la position du câble.

### SECURITE ELECTRIQUE

L'outil a été conçu pour une seule tension. Vérifiez si la tension secteur correspond à la tension indiquée sur la plaque d'identification.



L'outil est conçu pour être utilisé avec une alimentation secteur AC (courant alternatif) uniquement. N'essayez pas d'utiliser l'outil avec un autre type d'alimentation.



Cet outil à double isolation est conforme à la norme EN 60335; un branchement à la terre n'est donc pas nécessaire.



Toujours utiliser la fiche prescrite lors du remplacement du câble d'alimentation. Type 11 pour la classe II - double isolation

- ♦ Evitez de toucher des surfaces reliées à la terre (p.e. grillages métalliques, lampadaires, etc.)
- ♦ Utilisez un interrupteur de protection contre les courants de court-circuits à haute sensibilité (30 mA / 30 mS) pour améliorer la sécurité électrique.

### Câbles de rallonge

Utilisez toujours une rallonge adaptée à la puissance d'alimentation de cet outil (voir plaque d'identification). Le câble de rallonge doit être adapté pour le travail en extérieur.

- ♦ Avant d'utiliser l'outil, vérifiez que le câble n'est pas endommagé ni usé. Changez le câble de rallonge s'il est endommagé.
- ♦ En cas d'utilisation d'un dévidoir, déroulez toujours le câble complètement.
- ♦ Veillez à ne pas laisser le câble à proximité du fil de coupe. Surveillez toujours la position du câble.



## FRANÇAIS

### CONTENU DE LA BOITE

La boîte contient :

- 1 Coupe bordures
- 1 Carter protecteur avec vis de fixation
- 1 Protecteur de plante avec jeu de pièces de rechange (GL660P/GL670P seulement)
- 1 Manuel d'instructions

- ◆ Déballer soigneusement toutes les pièces.

### APERÇU (fig. A)

1. Interrupteur marche/arrêt
2. Poignée
3. Goupille de retenue de fil
4. Entrée électrique
5. Deuxième poignée
6. Bouton de poignée (GL670/GL670P)
7. Bague
8. Crochets d'accroche du fil
9. Boîtier moteur
10. Pédale (GL670/GL670P)
11. Carter protecteur
12. Lame coupe-fil
13. Sabot de guidage
14. Boîtier de la bobine
15. Fil de coupe

### ASSEMBLAGE



Avant l'assemblage, assurez-vous que l'outil est éteint et débranché.

#### Mise en place du carter protecteur (fig. B)

- ◆ Débranchez l'outil
- ◆ Retirez la vis (16) de la protection.
- ◆ Placez le carter protecteur (11) sur l'outil selon le schéma.
- ◆ Appuyez fermement sur le carter jusqu'à ce qu'il se mette en place avec un clic sec.
- ◆ Fixez le carter protecteur avec la vis (16).



N'utilisez jamais l'outil si le carter protecteur n'est pas correctement installé.

#### Libérer le fil de coupe (fig. A)

Durant le travail, le fil de coupe est caché par le boîtier moteur.

- ◆ Enlevez le ruban qui retient le fil de coupe (15) à la protection de la bobine (14).

#### Mise en place du protecteur de plante (fig. C)

Le protecteur de plante fait partie des accessoires standard fournis avec le GL660P & GL670P.

Pour d'autres modèles, il est disponible en option.

- ◆ Placez le protecteur de plante (17) sur le carter protecteur comme indiqué. Vérifiez qu'il soit orienté dans le bon sens.
- ◆ Placez les deux capuchons en plastique (18) sur le protecteur de plante, en alignant les marques (19) des capuchons avec celles figurant sur le carter protecteur (11).
- ◆ Fixez les capuchons à l'aide des vis (20). Veillez à ne pas trop serrer les vis.



Attendez que la ligne de coupe soit arrêtée avant de régler le protecteur de plante.

#### Branchement de l'outil au secteur (fig A)

- ◆ Branchez la prise femelle d'un fil de rallonge adapté à l'entrée d'alimentation électrique (4)
- ◆ Enroulez le fil autour de la goupille de retenue du fil comme illustré à la fig. O.
- ◆ Branchez la prise mâle du câble au secteur.



Le câble de rallonge doit être adapté pour le travail en extérieur.

### UTILISATION



Laissez l'outil fonctionner à sa propre vitesse. Ne le surchargez pas.

#### Réglage de l'outil en mode de taille ou de coupe (fig. D, E & F)

L'outil peut être utilisé en mode de taille comme indiqué à la fig. D ou en en mode coupe pour tailler de l'herbe en surplomb dans les bordures de pelouse et les parterres de fleurs comme indiqué à la fig. E.



## FRANÇAIS

### Mode de taille (fig. D & F)

Pour tailler, la tête du coupe bordures devra être dans la position indiquée à la fig. D. Si ce n'est pas le cas :

- ◆ Faites tourner la bague (7) dans le sens inverse des aiguilles d'une montre.
- ◆ Faites tourner le corps de la tête de coupe dans le sens inverse des aiguilles d'une montre jusqu'à ce que la tête de coupe s'engage dans la position de coupe.
- ◆ Serrez la bague en la faisant tourner dans le sens des aiguilles d'une montre.

### Mode de coupe (fig. E & F)

Pour couper, la tête du coupe bordures devra être dans la position indiquée à la fig. E. Si ce n'est pas le cas :

- ◆ Faites tourner la bague (7) dans le sens inverse des aiguilles d'une montre.
- ◆ Faites tourner le corps de la tête de coupe dans le sens des aiguilles d'une montre jusqu'à ce que la tête de coupe s'engage dans la position de taille.
- ◆ Serrez la bague en la faisant tourner dans le sens des aiguilles d'une montre.

### GL670/GL670P - Réglage de la position de la deuxième poignée (fig. A & G)

La deuxième poignée peut être réglée afin d'apporter un confort et un équilibre optimal.

- ◆ Laissez reposer le carter protecteur (11) au sol.
- ◆ Appuyez sur le bouton de la poignée (6), et placez la poignée (5) dans la position désirée.
- ◆ Relâchez le bouton de la poignée.

### GL660/GL660P/GL670/GL670P - Réglage de la hauteur de l'outil (fig. A & H)

L'outil est équipé d'un corps télescopique, qui vous permet de le régler à la hauteur la plus confortable pour l'utilisateur.

- ◆ Laissez reposer le carter protecteur (11) au sol.
- ◆ Faites tourner la bague (7) dans le sens inverse des aiguilles d'une montre.
- ◆ Levez ou baissez la poignée à la hauteur voulue.
- ◆ Serrez la bague en la faisant tourner dans le sens des aiguilles d'une montre.

### GL670/GL670P - Réglage de l'angle de la tête du coupe-bordures (fig. I)

En réglant l'angle de la tête du coupe-bordures, vous avez la possibilité de choisir l'angle de coupe parfait, indépendamment de la longueur du manche. Cela vous permet aussi de couper l'herbe sous les bancs et les arbustes.

- ◆ Laissez reposer le carter protecteur (11) au sol.
- ◆ Enfoncez la pédale (10) avec le pied, et levez ou baissez la poignée selon le cas.
- ◆ Relâchez la pédale.

### Démarrage et arrêt (fig. A)

- ◆ Pour allumer l'outil, appuyez sur l'interrupteur marche/arrêt (1).
- ◆ Pour éteindre l'outil, relâchez l'interrupteur marche/arrêt.



N'essayez jamais de bloquer l'interrupteur en position marche.

### Conseils pour une utilisation optimale

#### Taille

- ◆ Tenez l'outil comme indiqué à la fig. D.
- ◆ Déplacez lentement le coupe bordures de manière latérale comme indiqué sur la fig. D.
- ◆ Lorsque vous coupez des hautes herbes, travaillez par étapes en commençant par le haut. Procédez par petites coupes.
- ◆ Veillez à ne pas approcher l'outil des objets durs et des plantes délicates.
- ◆ Si l'outil commence à fonctionner lentement, réduisez la charge.

#### Coupe

Pour des résultats de coupe optimaux, les bordures doivent être supérieures à 50 mm.

- ◆ N'utilisez pas l'outil pour créer des bordures. Pour cette opération, utilisez des cisailles à gazon.
- ◆ Guidez l'outil comme indiqué à la fig. E. Maintenez le sabot de guidage contre le bord de la pelouse.
- ◆ Pour une coupe plus nette, inclinez légèrement l'outil.





## FRANÇAIS

### Généralités

- ◆ Pour des résultats de coupe optimaux, ne coupez que de l'herbe sèche.

### GL660P/GL670P -

#### Utilisation du protecteur de plante (fig. J)

Le protecteur de plante vous aidera à protéger les plantes lors de la coupe en bordure de pelouse.

- ◆ En mode de taille, placez le protecteur de plante en position A.
- ◆ En mode de coupe, placez le protecteur de plante en position B ou C.
- ◆ Lorsqu'il n'y a pas de plantes à côté de la zone de coupe, placez le protecteur de plante en position D.

### ENTRETIEN

Votre outil Black & Decker a été conçu pour fonctionner durablement avec un minimum d'entretien. Un fonctionnement continu satisfaisant dépend d'un nettoyage régulier et d'un entretien de l'outil approprié.



Avant d'effectuer tout entretien, éteignez et débranchez l'outil.

- ◆ Nettoyez régulièrement les orifices de ventilation de votre outil à l'aide d'une brosse douce ou d'un chiffon sec.
- ◆ Nettoyez régulièrement le fil de coupe et la bobine à l'aide d'une brosse douce ou d'un chiffon sec.
- ◆ Utilisez régulièrement un grattoir pour enlever toutes les saletés et l'herbe accumulées sous le carter protecteur.

#### Mise en place d'une nouvelle bobine de fil de coupe (fig. K & L)

Des bobines de fil de coupe de rechange sont disponibles chez votre revendeur Black & Decker (cat. no. A6441). Des cassettes complètes contenant une bobine de fil de coupe sont également disponibles (cat. no. A6442).

- ◆ Débranchez l'outil
- ◆ Maintenez les languettes (21) enfoncées et retirez le couvercle de la bobine (22) du boîtier (23) (fig. K).

- ◆ Retirez la bobine vide (24) du couvercle de la bobine.
- ◆ Enlevez toute trace de saleté ou d'herbe du couvercle de la bobine et du boîtier.
- ◆ Prenez la bobine neuve et enfoncez-la sur le bossage du couvercle de la bobine. Faites lentement tourner la bobine jusqu'à ce qu'elle soit bien en place.
- ◆ Saisissez l'une des extrémités des fils de coupe et faites glisser le fil dans l'un des œillets (25) (fig. L). Tirez environ 9 cm de fil hors du couvercle de la bobine.
- ◆ Détachez l'extrémité de l'autre fil de coupe et faites passer la ligne dans l'autre œillet. Tirez environ 9 cm de fil hors du couvercle de la bobine.
- ◆ Alignez les languettes (21) sur le couvercle de la bobine avec les trous du boîtier (26) (fig. K).
- ◆ Enfoncez le couvercle sur la protection jusqu'à ce qu'il se mette en place avec un clic sec.



Si les fils de coupe dépassent de la lame de coupe (12), coupez-les afin qu'ils atteignent juste la lame.

#### Enroulement d'un nouveau fil sur une bobine vide (fig. M, N & P)

Vous pouvez enrouler un nouveau fil de coupe sur une bobine vide. Des bobines de fil de coupe de rechange sont disponibles chez votre revendeur Black & Decker (cat. no. A6440).

- ◆ Retirez la bobine vide de l'outil comme expliqué ci-dessus.
- ◆ Retirez tout fil de coupe restant de l'outil.
- ◆ Enroulez d'abord le nouveau fil sur la partie proéminente de la bobine :
  - Faites entrer 2 cm de fil de coupe dans l'un des trous de la section supérieure de la bobine comme indiqué.
  - Enroulez le fil de coupe sur la bobine dans le sens de la flèche. Veillez à enrouler le fil proprement et en couches successives. Ne l'entrecroisez pas.
  - Lorsque le fil de coupe enroulé est encastré (28), coupez-le.
  - Laissez temporairement le fil dans les encoches (27) sur un côté de la bobine comme indiqué.



## FRANÇAIS

- ◆ Répétez l'opération précédente pour le second fil de coupe sur la partie inférieure de la bobine. Laissez le fil dans les encoches restées libres (27).
- ◆ Procédez comme expliqué ci-dessus pour installer la bobine dans l'outil. N'oubliez pas de relâcher le fil de coupe des encoches où vous l'avez laissé (27).



Utilisez uniquement le bon type de fil de coupe de Black & Decker. Vérifiez que le fil de coupe se trouve dans les deux parties de la bobine (fig. P).

### DÉPANNAGE

Si votre outil ne semble pas fonctionner correctement, suivez les instructions ci-dessous. Si elles ne vous sont d'aucune aide pour résoudre le problème, contactez votre service de réparation local Black & Decker.



Avant de commencer, débranchez l'outil.

#### Si l'outil fonctionne lentement

- ◆ Vérifiez que la protection de la bobine tourne correctement et librement. Nettoyez-la soigneusement si cela est nécessaire.
- ◆ Vérifiez que le fil de coupe ne dépasse pas de plus de 9 cm le boîtier de la bobine. Si c'est le cas, coupez-le pour qu'il atteigne juste la lame coupe-fil.

#### L'alimentation du fil automatique ne fonctionne pas

- ◆ Maintenez les languettes enfoncées et retirez le couvercle du boîtier.
- ◆ Enfoncez le fil de coupe jusqu'à ce qu'il dépasse de 9 cm du boîtier. S'il reste peu de fil de coupe sur la bobine, installez une nouvelle bobine de fil de coupe comme expliqué ci-dessus.
- ◆ Alignez les languettes sur le couvercle de la bobine avec les trous dans la protection.
- ◆ Enfoncez le couvercle sur la protection jusqu'à ce qu'il se mette en place avec un clic sec.
- ◆ Si le fil de coupe dépasse la lame coupe fil, coupez-le afin qu'il atteigne juste la lame.

Si l'alimentation automatique de fil ne fonctionne toujours pas, essayez les suggestions suivantes :

- ◆ Nettoyez soigneusement le couvercle de la bobine et le boîtier.
- ◆ Retirez la bobine et vérifiez que la gachette bouge librement.
- ◆ Retirez la bobine et déroulez le fil de coupe, puis enrroulez-le à nouveau proprement comme expliqué ci-dessus. Remettez la bobine en place comme expliqué.

### PROTECTION DE L'ENVIRONNEMENT



Si vous décidez de remplacer votre outil, ou si vous n'en avez plus l'utilité, pensez à la protection de l'environnement avant de le jeter. Les services agréés Black & Decker reprennent tous les anciens outils Black & Decker et s'assurent qu'ils seront détruits en respectant l'environnement.

### GARANTIE

Si votre produit Black & Decker était défectueux dans les 12 mois suivant la date d'achat, nous vous garantissons le remplacement de toutes les pièces défectueuses ou l'échange du produit gratuitement, aux conditions suivantes:

- ◆ Le produit nous a été renvoyé ou a été renvoyé à l'un de nos agents de réparation agréés avec une preuve d'achat.
- ◆ Le produit a été utilisé dans les conditions d'utilisation prévues.
- ◆ Le produit n'a pas été utilisé dans un but de location.
- ◆ Des réparations n'ont pas été effectuées par toute personne autre que nos agents de réparation agréés.
- ◆ Le défaut provient d'une usure normale.

La garantie légale couvrant les défauts ou vices cachés (France: article 1641 et suivants du code civil) est applicable en tout état de cause.

La garantie est effective dans la mesure où ce produit est retourné, non démonté, à l'une de nos stations services agréées, il doit être accompagné d'un avis indiquant les anomalies constatées ainsi que d'une preuve de garantie (certificat de garantie dûment rempli et portant le cachet du revendeur ou ticket de caisse).





## FRANÇAIS

### **La politique de garantie**

Les défauts suivants ne sont pas couverts par la garantie ci-dessus :

- ◆ Remplacement des lames usées ou endommagées, des fils de nylon, des chaînes et des cordons d'alimentation. Ces articles sont considérés comme des articles pouvant être remplacés et s'abîmant suite à une utilisation normale.
- ◆ Défauts résultant d'un choc brutal ou d'un abus évident.
- ◆ Défauts dus à une utilisation non conforme aux instructions et aux recommandations contenues dans ce manuel.

Tronçonneuses  
Cisaille à gazon sans fil  
Coupe bordures  
Taille-haies à fil ou sans fil  
Tondeuses  
Aspirateur / souffleur / broyeur  
Broyeurs  
Aérateur Démousseur

Tous les produits ne sont pas disponibles dans tous les pays.

**L'utilisation d'accessoires et de pièces autres que Black & Decker peut réduire la performance de l'outil ou endommager le produit et entraînera la nullité de la garantie.**

### **SERVICE APRES-VENTE**

Tous les détails sur notre service après-ventes sont disponibles sur Internet à l'adresse **www.2helpU.com**. Vous pouvez également contacter notre Centre de Service et d'Informations à l'adresse indiquée à la fin de ce manuel.

Si votre produit a besoin d'être réparé, veuillez l'envoyer ou le porter à un agent de réparation agréé, en fournissant une preuve d'achat si vous demandez une réparation sous garantie.

De plus amples informations peuvent être obtenues directement chez nos agents.

### **AUTRES OUTILS DE JARDINAGE**

Black & Decker propose une gamme entière d'outils de jardinage facilitant l'entretien du jardin. Si vous souhaitez obtenir de plus amples renseignements sur les produits suivants, veuillez contacter notre Centre de Service et d'Information (voir la page d'adresse à la fin de ce manuel) ou vous adresser à votre revendeur Black & Decker local.



**ITALIANO**

# TOSAERBA GL650/GL660/GL660P/GL670/GL670P

## CONGRATULAZIONI!

Lei ha scelto un utensile Black & Decker. Il nostro obiettivo è fornire utensili di qualità ad un prezzo contenuto. Desideriamo che questo utensile sia di suo gradimento e lo possa usare per molti anni.

## DICHIARAZIONE CE DI CONFORMITÀ

**CE** GL650/GL660/GL660P/GL670/GL670P  
Black & Decker dichiara che questi utensili sono stati costruiti in conformità a:  
98/37/CEE, 89/336/CEE, 73/23/CEE,  
EN 60335, EN 55014, EN 61000

Livello di rumorosità, dati ricavati in base alla norma 84/538/CEE:

		GL650	GL660	GL670
			GL660P	GL670P
$L_{pA}$ (rumorosità)	dB(A)	83	83	83
$L_{WA}$ (potenza sonora)	dB(A)	96	96	96



Prendere appropriate misure a protezione dell'udito qualora il livello acustico superasse gli 85 dB(A).

Il valore medio quadratico ponderato dell'accelerazione secondo 98/37/CEE:

GL650	GL660	GL660P	GL670	GL670P
< 2,5 m/s <sup>2</sup>	< 2,5 m/s <sup>2</sup>	< 2,5 m/s <sup>2</sup>	< 2,5 m/s <sup>2</sup>	< 2,5 m/s <sup>2</sup>

Brian Cooke  
Direttore di Ricerca e Sviluppo  
Spennymoor, County Durham DL16 6JG,  
United Kingdom

## USO PROGETTATO

Il vostro tosaerba Black & Decker GL650/GL660/GL660P/GL670/GL670P è stato progettato per tosare e rifinire i cigli dei prati oltre che per tagliare erba in spazi ridotti. L'utensile è stato progettato per un uso individuale.

## ISTRUZIONI DI SICUREZZA

### Simboli di sicurezza

I seguenti simboli vengono usati nel presente manuale:



Indica rischio di infortunio, pericolo di morte o danno all'apparecchio qualora non ci si attenga alle istruzioni contenute nel presente manuale.



Indica pericolo di scossa elettrica.



Leggere attentamente il manuale prima di utilizzare l'utensile.

### Conoscere l'utensile



- ◆ **Attenzione!** Quando si impiegano utensili alimentati elettricamente, per ridurre il rischio di incendio, di scosse elettriche e danni a persone è necessario seguire sempre delle precauzioni di sicurezza basilari, incluso le seguenti:
  - ◆ Prima di adoperare l'utensile, leggere attentamente le istruzioni di cui al presente manuale.
  - ◆ Prima di far funzionare l'utensile, assicuratevi di conoscere come spegnere l'utensile in caso di emergenza.





## ITALIANO

- ◆ L'utilizzo previsto è quello indicato nel presente manuale. L'uso di accessori o attrezzature diversi o l'impiego del presente utensile per scopi diversi da quelli indicati nel presente manuale d'uso comportano il rischio di infortuni.
- ◆ Conservare queste istruzioni per utilizzarle in futuro.
- ◆ Non permettere a bambini, altre persone o animali di avvicinarsi alla zona di lavoro, toccare l'utensile o il cavo di alimentazione.
- ◆ Ricordare che l'operatore è responsabile dell'esposizione di altre persone o della loro proprietà a eventuali pericoli o incidenti.

### Area di lavoro

- ◆ Non lasciare l'utensile sotto la pioggia. Non usare l'utensile in ambienti carichi di umidità.
- ◆ Usare l'utensile solo alla luce naturale oppure con una buona illuminazione artificiale.

### Protezione personale

- ◆ Indossate scarpe robuste o scarponi per proteggervi i piedi. Non azionare l'utensile se si indossano sandali aperti o a piedi scalzi.
- ◆ Indossate pantaloni a gamba lunga per proteggervi le gambe.

### Uso dell'utensile

- ◆ Prima di collegare l'utensile alla presa, verificare che sia spento.
- ◆ Stare sempre attenti. Prestare attenzione a quanto si sta facendo. Usare il proprio buon senso.
- ◆ Non utilizzare l'utensile quando si è stanchi.
- ◆ Se l'utensile inizia a vibrare in modo anomalo, spegnerlo ed estrarre la spina dalla presa. Attendere che le parti rotanti si fermino e ispezionarlo per rilevare eventuali danni o parti cedevoli.
- ◆ Non tirare mai il cavo per estrarlo dalla presa. Mantenete il cavo lontano da fonti di calore, olio e spigoli taglienti.
- ◆ Se il cavo di alimentazione è stato danneggiato durante l'uso, spegnere l'utensile ed estrarre immediatamente la presa dalla rete di alimentazione. **Non toccare il cavo di alimentazione prima di scollegarlo dall'alimentatore.**

### Sicurezza altrui

- ◆ L'uso dell'utensile è vietato a bambini, adulti che non abbiano letto il presente manuale d'istruzioni e a tutti coloro che non abbiano familiarità con l'attrezzo.

### Dopo l'uso

- ◆ Spegner l'utensile, estrarre la spina dalla presa e verificare che le parti mobili si siano bloccate prima di lasciare l'utensile incustodito e prima di sostituire, pulire o ispezionare qualsiasi componente.
- ◆ Quando non è in funzione, l'utensile deve essere immagazzinato in un luogo asciutto e non accessibile ai bambini.

### Ispezione e riparazioni

- ◆ Prima dell'uso, verificare se vi sono componenti danneggiati o difettosi. Controllate se ci sono parti non allineate o parti mobili con gioco, pezzi rotti, danni alle protezioni o agli interruttori e qualsiasi altra condizione che possa ripercuotere nel funzionamento dell'utensile.
- ◆ Non usate l'utensile se presente elementi danneggiati o difettosi. Non impiegare l'utensile se non è possibile accenderlo e spegnerlo mediante l'interruttore.
- ◆ Non usare mai l'utensile se una protezione o copertura è danneggiata o mancante.
- ◆ Accertare che l'utensile funzioni come previsto e che venga impiegato per lo scopo per cui è stato progettato.
- ◆ Eventuali componenti difettosi o danneggiati vanno sostituiti o riparati da un tecnico autorizzato.
- ◆ Prima dell'uso, controllare il cavo di alimentazione per rilevare eventuali segni di danni, invecchiamento e usura.
- ◆ Non usare l'utensile se il cavo di alimentazione è danneggiato o difettoso.
- ◆ Se il cavo di alimentazione è danneggiato, per evitare situazioni pericolose è necessario affidarne la sostituzione a un tecnico autorizzato.
- ◆ Non tentare mai di smontare componenti diversi da quelli indicati nel presente manuale.



## ITALIANO

### Istruzioni aggiuntive di sicurezza per il tosaerba

I seguenti simboli di avvertenza si trovano sull'utensile:



Indossate sempre occhiali di protezione quando fate funzionare questo utensile.



Il filo di taglio continuerà a girare per alcuni secondi dopo aver spento l'utensile. Non cercate mai di forzare il fermo del filo.



Non fate avvicinare persone o animali a meno di 6 m. dall'area di taglio.



Non esponete l'utensile alla pioggia od a condizioni di alta umidità.



Spegnere l'utensile, estrarre la spina dalla presa e verificare che le parti mobili si siano bloccate prima di lasciare l'utensile incustodito e prima di sostituire, pulire o ispezionare qualsiasi componente.

- ◆ Prima di usare l'utensile, verificate che il percorso da tosare sia libero da asticelle, pietre, cavi e qualsiasi altro ostacolo.
- ◆ Adoperare l'utensile soltanto nella posizione corretta, con il filo di taglio vicino al suolo, come mostrano le illustrazioni. Non avviare mai l'utensile in nessun'altra posizione.
- ◆ Accendere l'utensile solo quando mani e piedi sono lontani dal filo di taglio.
- ◆ Non toccare mai il filo di taglio mentre l'utensile è in funzione.
- ◆ Non lavorate su pendenze ripide. Fare attenzione ai piedi. Abbiate sempre presente che l'erba appena tagliata è umida e sdruciolevole.
- ◆ Fare attenzione quando si taglia l'erba in prossimità di bordi e strade o percorsi di ghiaietto in quanto il filo di taglio può sollevare pietre e terra.
- ◆ Non poggiare l'utensile a terra fino a che il filo di taglio non si sia completamente fermato.
- ◆ Impiegare unicamente filo di tipo corretto, della Black & Decker. Non impiegate fili di taglio metallici o fili di pesca.

- ◆ Fare attenzione a evitare lesioni provocate dalla lama di tosatura. Non toccare la lama. Dopo avere esteso il nuovo filo di taglio, riportare sempre l'utensile nella posizione operativa normale prima di accenderlo.
- ◆ Attenzione a tenere il cavo dell'alimentazione lontano dal filo di taglio. Tenere sempre sotto controllo la posizione del cavo.

### SICUREZZA ELETTRICA

L'utensile è predisposto per essere alimentato con una specifica tensione. Controllare sempre che la tensione di alimentazione corrisponda a quella indicata sulla targhetta.



Questo utensile è predisposto esclusivamente per l'alimentazione (di rete) CA. Non tentare di usarlo con alimentazioni diverse.



L'utensile è fornito di doppio isolamento, in ottemperanza alla norma EN 60335, per la quale non è richiesta la messa a terra.



Per la sostituzione del cavo di alimentazione, utilizzate sempre la spina di tipo prescritto. Tipo 11 per la classe II - doppio isolamento

- ◆ Evitare il contatto con le superfici messe a terra (ad esempio guide metalliche, steli di lampade ecc.).
- ◆ La sicurezza elettrica può essere ulteriormente ampliata utilizzando un dispositivo a corrente residua (RCD) ad alta sensibilità (30 mA / 30 mS).

### Impiego di una prolunga

Adoperare sempre una prolunga di tipo omologato, adeguata alla potenza assorbita dell'utensile (v. targhetta). La prolunga deve essere idonea per l'uso in esterno.

- ◆ Prima dell'uso, controllare il cavo per rilevare eventuali segni di danni, invecchiamento e usura. Una prolunga danneggiata o difettosa va sempre sostituita.
- ◆ Se si utilizza un avvolgitore, estrarre il cavo per l'intera lunghezza.





## ITALIANO

- ◆ Attenzione a tenere il cavo dell'alimentazione lontano dal filo di taglio. Tenere sempre sotto controllo la posizione del cavo.

### CONTENUTO DELLA SCATOLA

La scatola contiene:

- 1 Tosaerba
- 1 Protezione con vite di montaggio
- 1 Proteggiante incl. pacchetto a parte (solo GL660P/GL670P)
- 1 Libretto d'istruzioni

- ◆ Disimballate con cura tutte le parti.

### L'INSIEME (fig. A)

1. Interruttore acceso/spento
2. Impugnatura
3. Fermacavo
4. Ingresso alimentazione
5. Impugnatura secondaria
6. Pulsante sull'impugnatura (GL670/GL670P)
7. Anello di bloccaggio
8. Linguette per riporre il cavo
9. Alloggiamento del motore
10. Pedale (GL670/GL670P)
11. Protezione
12. Lama del filo tosatore
13. Guida per bordo
14. Alloggiamento bobina
15. Filo di taglio

### MONTAGGIO



Prima di montarlo assicuratevi che l'utensile sia spento e disinserito.

#### Installazione della protezione (fig. B)

- ◆ Estrarre la spina dalla presa di corrente.
- ◆ Estrarre la vite (16) dall'alloggiamento.
- ◆ Collocare la protezione (11) sull'utensile, come illustrato.
- ◆ Premere con decisione la protezione fino a farla scattare in posizione.
- ◆ Bloccare la protezione con la vite (16).



Non usare mai l'utensile se la protezione non è inserita correttamente.

#### Rilascio del filo di taglio (fig. A)

Durante il trasporto, il filo di taglio è fissato all'alloggiamento della bobina.

- ◆ Rimuovere il nastro che ferma il filo di taglio (15) all'alloggiamento della bobina (14).

#### Installazione del proteggiante (fig. C)

Il proteggiante è un accessorio in dotazione standard con il GL660P e il GL670P. Per altri modelli è disponibile come accessorio optional.

- ◆ Collocare il proteggiante (17) sopra la protezione, come illustrato. Assicurarvi che l'orientazione sia corretta.
- ◆ Collocare i due cappucci in plastica (18) sul proteggiante, allineando le tacche (19) dei cappucci con quelle della protezione (11).
- ◆ Fissare i cappucci con le viti (20). Non stringere eccessivamente le viti.



Attendere fino a che il filo di taglio non sia fermo, prima di regolare il proteggiante.

#### Connessione dell'attrezzo all'alimentazione principale (fig. A)

- ◆ Connettere all'ingresso dell'alimentazione (4) la femmina di un cavo di lunghezza adatta.
- ◆ Infilare il cavo nel fermacavo, come mostrato nella fig. O.
- ◆ Inserire la spina dell'alimentazione principale in una presa di alimentazione principale.



La prolunga deve essere idonea per l'uso in esterno.

### IMPIEGO



Lasciate che l'utensile lavori al proprio ritmo. Non sovraccaricarlo.

#### Regolazione dell'utensile sulla funzione di tosatura o rifinitura dei bordi (fig. D, E & F)

L'utensile può essere impiegato per tosare l'erba, come mostra la fig. D, oppure per pareggiare l'erba che fuoriesce dai bordi di prati e fioriere, come mostra la fig. E.



## ITALIANO

### Funzione di tosatura (fig. D & F)

Per tosare l'erba, la testa tosatrice deve trovarsi sulla posizione indicata nella fig. D. In caso contrario:

- ◆ Ruotare l'anello di bloccaggio (7) in senso antiorario.
- ◆ Ruotare in senso antiorario il corpo della tosatrice, sino a che la testa tosatrice si blocchi in posizione di tosatura.
- ◆ Serrare l'anello di bloccaggio ruotandolo in senso orario.

### Funzione di rifinitura bordi (fig. E & F)

Per la rifinitura dei bordi, la testa tosatrice deve trovarsi nella posizione mostrata nella fig. E.

In caso contrario:

- ◆ Ruotare l'anello di bloccaggio (7) in senso antiorario.
- ◆ Ruotare in senso orario il corpo della tosatrice, sino a che la testa tosatrice si blocchi in posizione di rifinitura bordi.
- ◆ Serrare l'anello di bloccaggio ruotandolo in senso orario.

### GL670/GL670P - Regolazione della posizione dell'impugnatura secondaria (fig. A & G)

L'impugnatura secondaria può essere regolata per bilanciare in modo ottimale l'utensile, per il massimo confort.

- ◆ Adagiare a terra la protezione (11).
- ◆ Tenendo premuto il pulsante dell'impugnatura (6), spostare l'impugnatura (5) nella posizione desiderata.
- ◆ Rilasciare il pulsante dell'impugnatura.

### GL660/GL660P/GL670/GL670P -

#### Regolazione in altezza dell'utensile (fig. A & H)

Il corpo di questo utensile è telescopico e può essere regolato in altezza.

- ◆ Adagiare a terra la protezione (11).
- ◆ Ruotare l'anello di bloccaggio (7) in senso antiorario.
- ◆ Alzare o abbassare l'impugnatura, sino a raggiungere l'altezza desiderata.
- ◆ Serrare l'anello di bloccaggio ruotandolo in senso orario.

### GL670/GL670P -

#### Regolazione angolare della testa tosatrice (fig. I)

La possibilità di regolare l'angolazione della testa tosatrice consente di impostare un angolo di tosatura ottimale, a prescindere dalla propria altezza. Consente inoltre di effettuare la tosatura sotto panchine e arbusti.

- ◆ Adagiare a terra la protezione (11).
- ◆ Tenendo premuto il pedale (10) con il piede, spostare l'impugnatura in alto o in basso, come necessario.
- ◆ Rilasciare il pedale.

#### Avviamento e spegnimento (fig. A)

- ◆ Per accendere l'utensile, premere l'interruttore di accensione/spegnimento (1).
- ◆ Per spegnere l'utensile, premere di nuovo l'interruttore di accensione/spegnimento.



Non cercare di bloccare un interruttore in posizione di accensione.

#### Consigli per un'ottima utilizzazione

##### Tosatura

- ◆ Sostenere l'utensile come mostrato nella fig. D.
- ◆ Spostare con delicatezza la tosatrice, da un lato all'altro, come mostrato nella fig. K.
- ◆ Quando si tosa erba alta, procedere per gradi, partendo dalla cima. Fare piccoli tagli.
- ◆ Tenere l'utensile lontano da oggetti duri e piante delicate.
- ◆ Se la velocità dell'utensile diminuisce, ridurre il carico.

##### Rifinitura dei bordi

Risultati di taglio ottimali vengono raggiunti su bordi con profondità superiore a 50 mm.

- ◆ Non adoperare l'utensile per creare dei bordi. Per creare i bordi è opportuno adoperare l'apposita pala.
- ◆ Guidare l'utensile come mostrato nella fig. L. Mantenere la guida per i bordi contro il bordo del prato.
- ◆ Per eseguire un taglio più accurato, inclinare lievemente l'utensile.





## ITALIANO

### Norme generali

- ◆ Per ottenere un taglio ottimale, tosare soltanto l'erba secca.

### GL660P/GL670P - Utilizzo del proteggipiante (fig. J)

Il proteggipiante aiuta a proteggere le piante quando si tosa l'erba lungo il bordo dei prati.

- ◆ Nella funzione di tosatura, impostare il proteggipiante in posizione A.
- ◆ Nella funzione di rifinitura dei bordi, impostare il proteggipiante in posizione B o C.
- ◆ Quando in prossimità dell'area di taglio non ci sono piante, il proteggipiante può essere messo in posizione D.

### MANUTENZIONE

Il vostro utensile Black & Decker è stato progettato per funzionare durante un lungo periodo di tempo con un minimo di manutenzione. Il funzionamento continuo e soddisfacente dipende dall'adeguata cura dell'utensile e da pulizie sistematiche.



Prima di eseguire qualsiasi manutenzione, spegnete l'utensile e disinseritelo dalla spina.

- ◆ Le fessure di ventilazione dell'utensile vanno pulite regolarmente con un pennello soffice o un panno asciutto.
- ◆ Pulire regolarmente il filo di taglio e la bobina con una spazzola soffice o con un panno asciutto.
- ◆ Usare regolarmente un raschietto senza punta per togliere l'erba e la sporcizia dalla superficie inferiore della protezione.

### Inserimento di una nuova bobina di filo di taglio (fig. K & L)

I ricambi delle bobine per il filo di taglio sono disponibili presso il concessionario Black & Decker (n. cat. A6481). Sono disponibili anche delle cassette complete con una bobina di filo di taglio (n. cat. A6442).

- ◆ Estrarre la spina dalla presa di corrente.
- ◆ Tenere premute le linguette (21) e sollevare il coperchio della bobina (22) dall'alloggiamento (23) (fig. K).
- ◆ Estrarre la bobina vuota (24) dal relativo coperchio.

- ◆ Rimuovere ogni traccia di sporcizia ed erba dal coperchio della bobina e dall'alloggiamento.
- ◆ Inserire la nuova bobina nella protuberanza del coperchio della bobina. Ruotare leggermente la bobina, sino ad alloggiarla.
- ◆ Sganciare l'estremità di uno dei fili di taglio e guidare il filo in uno degli occhielli (25) (fig. L). Il filo deve sporgere di circa 9 cm dal coperchio della bobina.
- ◆ Sganciare l'estremità dell'altro filo di taglio e guidare il filo nell'altro occhiello. Il filo deve sporgere di circa 9 cm dal coperchio della bobina.
- ◆ Allineare le linguette (21) del coperchio della bobina con i fori (26) dell'alloggiamento (fig. K).
- ◆ Spingere il coperchio nell'alloggiamento fino a bloccarlo in posizione.



Se i fili di taglio fuoriescono al di là della lama di tosatura (12), tagliarli in modo che raggiungano solo la lama.

### Avvolgimento di filo nuovo su una bobina vuota (fig. M, N & P)

È possibile avvolgere del filo di taglio nuovo su una bobina vuota. Le confezioni di ricambio del filo di taglio sono disponibili presso il concessionario Black & Decker (n. cat. A6440).

- ◆ Rimuovere la bobina vuota dall'utensile, come descritto in precedenza.
- ◆ Rimuovere dalla bobina eventuali residui di filo di taglio.
- ◆ Prima avvolgere il nuovo filo nella parte più alta della bobina.
  - Passare 2 cm di filo di taglio in uno dei fori della sezione superiore della bobina, come mostrato.
  - Avvolgere il filo di taglio sulla bobina, nel verso della freccia. Controllare che il filo si avvolga ordinatamente e a strati successivi. Non far compiere al filo percorsi trasversali. Quando il filo di taglio che si sta avvolgendo raggiunge le tacche (28) tagliate il filo.
  - Bloccare temporaneamente il filo nelle fessure (27) su un lato della bobina, come mostrato.



## ITALIANO

- ◆ Ripetere la procedura precedente per il secondo filo di taglio sulla sezione inferiore della bobina. Bloccare il filo nelle fessure inutilizzate (27).
- ◆ Eseguire i passi di cui sopra per inserire la bobina nell'utensile. Non dimenticare di liberare il filo di taglio dalle aperture (27) in cui è stato temporaneamente fermato.



Impiegare unicamente filo di tipo corretto, della Black & Decker. Verificare che il filo di taglio sia presente in entrambe le sezioni della bobina (fig. P).

### SOLUZIONI AI PROBLEMI DI FUNZIONAMENTO

Se l'utensile non sembra funzionare correttamente, procedere come segue. Se il problema persiste, contattare il servizio di assistenza tecnica della Black & Decker.



Prima di procedere, estrarre la spina dalla presa di alimentazione.

#### ***L'utensile funziona lentamente***

- ◆ Controllare che l'alloggiamento della bobina ruoti liberamente. Se necessario pulirlo accuratamente.
- ◆ Controllare che il filo di taglio non fuoriesca per più di 9 cm dall'alloggiamento della bobina. In caso affermativo, tagliare il filo in modo che raggiunga solo la lama di tosatura.

#### ***L'alimentazione automatica del filo non funziona***

- ◆ Tenere premute le linguette e togliere il coperchio della bobina dall'alloggiamento.
- ◆ Spingere il filo di taglio sino a che fuoriesce dall'alloggiamento di 9 cm. Se non c'è sufficiente filo nella bobina, montare una nuova bobina di filo di taglio, come descritto in precedenza.
- ◆ Allineare le linguette del coperchio della bobina con i fori dell'alloggiamento.
- ◆ Spingere il coperchio nell'alloggiamento fino a bloccarlo in posizione.
- ◆ Se il filo di taglio fuoriesce oltre la lama di tosatura, tagliarlo in modo che raggiunga solo la lama.

Se l'alimentazione automatica del filo continua a non funzionare oppure se la bobina è inceppata, tentare quanto segue:

- ◆ Pulire accuratamente l'alloggio e il coperchio della bobina.
- ◆ Estrarre la bobina e controllare se la leva può muoversi senza ostacoli.
- ◆ Togliere la bobina e srotolare il filo di taglio, poi avvolgere nuovamente il filo, come descritto in precedenza. Sostituire la bobina come indicato.

### PROTEZIONE DELL'AMBIENTE



Se dovete un giorno decidere di sostituire i vostri utensili in quanto non più necessari, ricordate di avere cura dell'ambiente che ci circonda. I centri di assistenza

Black & Decker ritireranno i vostri vecchi utensili, smaltendoli in modo ecologico.

### GARANZIA

**Questa garanzia copre per 12 mesi i pezzi di ricambio e la manodopera. Sarà necessario esibire prova della data di acquisto.**

Se il vostro utensile Black & Decker risultasse avere parti difettose a causa dei materiali o per difetti di costruzione nel periodo di garanzia, vi garantiamo la sostituzione gratuita di dette parti oppure, a nostra discrezione, la sostituzione dell'utensile a patto che:

- ◆ L'utensile venga portato ad un centro di assistenza Black & Decker con prova della data di acquisto.
- ◆ L'utensile sia stato acquistato per uso proprio.
- ◆ L'utensile non abbia subito abuso od uso improprio.
- ◆ Non sia stata tentata la riparazione da persone diverse dal nostro personale di assistenza.
- ◆ Il problema non sia dovuto a normale usura.

La garanzia è offerta come un beneficio aggiuntivo rispetto ai vostri diritti legali.





## ITALIANO

### **Estremi della garanzia**

I seguenti difetti non sono coperti da garanzia:

- ◆ Sostituzione di lame usurate o danneggiate, fili di nylon e catene danneggiati durante l'uso o l'immagazzinaggio. Questi vengono considerati normali ricambi soggetti ad usura durante il normale utilizzo.
- ◆ Danni causati da impatti e evidenti abusi.
- ◆ Danni causati da un utilizzo non conforme alle istruzioni ed ai consigli contenuti nel presente manuale.

### **L'utilizzo di accessori e ricambi non originali**

**Black & Decker potrebbe danneggiare o peggiorare le prestazioni del vostro utensile Black & Decker e potrebbe invalidare la garanzia.**

### **SERVIZIO POST-VENDITA**

Sul nostro sito Internet [www.2helpU.com](http://www.2helpU.com) sono disponibili dettagli sul servizio assistenza post-vendita. In alternativa, telefonate al nostro Centro Informazioni e Servizi il cui numero è situato sul retro di questo manuale.

Black & Decker offre un servizio post-vendita nazionale attraverso centri di assistenza diretti.

È nostro obiettivo fornire un servizio eccellente, riparazioni veloci, grande disponibilità di ricambi e accessori.

### **ALTRI UTENSILI DI GIARDINAGGIO**

La Black & Decker ha una gamma completa di utensili per il giardinaggio che rende semplice la vita in giardino. Se desiderate ulteriori informazioni sui seguenti prodotti, vi preghiamo di contattare il nostro Centro D'Informazione e Manutenzione (vedere la pagina degli indirizzi alla fine di questo libretto d'istruzioni) od il vostro rivenditore Black & Decker

Tosatori a lame o a catena

Motoseghe

Scope elettriche

Tosasiepi a batteria

Tagliasiepi a batteria

Tosasiepi

Tosaerba

Rastrelli

Sramatori

Biotrituratori

Non tutti i prodotti sono disponibili in tutti i paesi.



**NEDERLANDS**

## GRASSTRIMMER GL650/GL660/GL660P/GL670/GL670P

### GEFELICITEERD!

U heeft gekozen voor een machine van Black & Decker. Ons doel is om kwaliteitsproducten te leveren tegen een betaalbare prijs. Wij hopen dat u aan het gebruik van deze machine jarenlang plezier zult beleven.

### EG-VERKLARING VAN OVEREENSTEMMING



GL650/GL660/GL660P/GL670/GL670P  
Black & Decker verklaart dat deze elektrische machines in overeenstemming zijn met: 98/37/EEG, 89/336/EEG, 73/23/EEG, EN 60335, EN 55014, EN 61000

Niveau van de geluidsdruk, gemeten volgens 84/538/EEG:

		GL650	GL660	GL670
			GL660P	GL670P
$L_{pA}$ (geluidsdruk)	dB(A)	83	83	83
$L_{WA}$ (geluidsvermogen)	dB(A)	96	96	96



Neem de vereiste maatregelen voor gehoorbescherming wanneer de geluidsdruk het niveau van 85 dB(A) overschrijdt.

Gewogen kwadratische gemiddelde waarde van de versnelling overeenkomstig 98/37/EEG:

GL650	GL660	GL660P	GL670	GL670P
< 2,5 m/s <sup>2</sup>	< 2,5 m/s <sup>2</sup>	< 2,5 m/s <sup>2</sup>	< 2,5 m/s <sup>2</sup>	< 2,5 m/s <sup>2</sup>

Brian Cooke  
Director of Engineering  
Spennymoor, County Durham DL16 6JG,  
United Kingdom

### GEBRUIK VOLGENS BESTEMMING

Uw Black & Decker strimmer GL650/GL660/GL660P/GL670/GL670P is ontworpen voor het strimmen en afwerken van graskanten alsmede voor het strimmen van gras in besloten ruimtes. Deze machine is uitsluitend bedoeld voor consumentengebruik.

### VEILIGHEIDSVOORSCHRIFTEN

#### Pictogrammen

In deze handleiding worden de volgende pictogrammen gebruikt:



Duidt op mogelijk lichamelijk letsel, levensgevaar of kans op beschadiging van de machine indien de instructies in deze handleiding worden genegeerd.



Geeft elektrische spanning aan.



Lees de handleiding voordat u met de machine gaat werken.

#### Ken uw machine



- ♦ **Waarschuwing!** Bij het gebruik van elektrische machines dienen ter bescherming tegen brandgevaar, elektrische schok en letsel altijd gepaste veiligheidsmaatregelen in acht te worden genomen, waaronder de volgende veiligheidsvoorschriften.
- ♦ Lees de gebruiksaanwijzing aandachtig door voordat u met de machine gaat werken.
- ♦ Zorg ervoor dat u voor gebruik weet hoe u de machine in geval van nood uitschakelt.
- ♦ Het gebruik volgens bestemming is beschreven in deze handleiding.







## NEDERLANDS

Gebruik ter voorkoming van lichamelijk letsel uitsluitend de in deze gebruiksaanwijzing aanbevolen accessoires en hulpstukken. Gebruik de machine uitsluitend volgens bestemming.

- ◆ Bewaar deze instructies zorgvuldig!

### **Werkomgeving**

- ◆ Stel de machine niet bloot aan regen. Gebruik de machine niet in een vochtige of natte omgeving.
- ◆ Gebruik de machine alleen bij daglicht of goede kunstmatige verlichting.

### **Persoonlijke bescherming**

- ◆ Draag stevige schoenen of laarzen om uw voeten te beschermen. Gebruik de machine niet met open sandalen of blootsvoets.
- ◆ Draag een lange broek om uw benen te beschermen.

### **Gebruik van de machine**

- ◆ Wees ervan verzekerd dat de machine is uitgeschakeld voordat u de stekker in het stopcontact steekt.
- ◆ Blijf voortdurend opletten. Houd uw aandacht bij uw werk. Ga met verstand te werk.
- ◆ Gebruik de machine niet als u niet geconcentreerd bent.
- ◆ Als de machine heftig begint te vibreren, schakel hem dan uit en neem de stekker uit het stopcontact. Laat roterende onderdelen tot stilstand komen alvorens de machine op beschadigingen en losgeraakte onderdelen te controleren.
- ◆ Trek niet aan de kabel om de stekker uit het stopcontact te verwijderen. Houd het snoer uit de buurt van warmtebronnen, olie en scherpe randen.
- ◆ Als het netsnoer tijdens gebruik beschadigd raakt, schakel de machine dan direct uit en neem de stekker uit het stopcontact. **Raak het netsnoer niet aan voordat u de stekker uit het stopcontact heeft genomen.**

### **Veiligheid van anderen**

- ◆ Verbied kinderen en personen die niet van de inhoud van deze handleiding op de hoogte zijn het gebruik van de machine.
- ◆ Houd kinderen, bezoekers en dieren buiten het werkgebied en laat ze de machine of de elektriciteitskabel niet aanraken.
- ◆ Onthoud dat de gebruiker verantwoordelijk kan worden gesteld voor ongelukken of gevaren aan andere mensen of hun eigendommen.

### **Na gebruik**

- ◆ Schakel de machine uit, neem de stekker uit het stopcontact en vergewis u ervan dat de bewegende delen tot stilstand zijn gekomen alvorens u de machine zonder toezicht achterlaat of enig onderdeel van de machine verwisselt, reinigt of controleert.
- ◆ Indien niet in gebruik, dient de machine te worden opgeborgen op een droge plaats. Kinderen mogen geen toegang hebben tot opgeborgene machines.

### **Inspectie en reparatie**

- ◆ Controleer de machine voor gebruik op beschadigde of defecte onderdelen. Controleer of alle bewegende delen correct gemonteerd zijn, of er geen onderdelen gebroken zijn, of er geen beschermkappen en schakelaars beschadigd zijn en of er andere gebreken zijn die invloed op de werking van de machine zouden kunnen hebben.
- ◆ Gebruik de machine niet als enig onderdeel defect is. Gebruik de machine niet als de aan/uit-schakelaar niet werkt.
- ◆ Gebruik de machine nooit als een beveiliging of afdekking beschadigd is of ontbreekt.
- ◆ Vergewis u er van dat de machine correct werkt.
- ◆ Defecte onderdelen dienen door een erkend servicecentrum te worden gerepareerd of vervangen.
- ◆ Controleer voor gebruik het netsnoer op beschadiging, veroudering en slijtage.
- ◆ Gebruik de machine niet als het netsnoer beschadigd of defect is.



## NEDERLANDS

- ◆ Indien het netsnoer beschadigd is, dient het ter voorkoming van gevaren te worden vervangen door een erkend servicecentrum.
- ◆ Probeer nooit om enig onderdeel te verwijderen of vervangen, anders dan in deze handleiding beschreven.

### Aanvullende veiligheidsinstructies voor strimmers

De machine is voorzien van de volgende pictogrammen:



Draag een veiligheidsbril als u deze machine bedient.



Het snijdraad draait nog een aantal seconden rond nadat de machine is uitgeschakeld. Probeer nooit om het draad zelf tot stilstand te brengen.



Houd mensen en dieren tenminste 6 m uit de buurt van de snijdraad.



Stel de machine niet bloot aan regen.



Schakel de machine uit, neem de stekker uit het stopcontact en vergewis u ervan dat de bewegende delen tot stilstand zijn gekomen alvorens u de machine zonder toezicht achterlaat of enig onderdeel van de machine verwisselt, reinigt of controleert.

- ◆ Controleer voordat u de machine in gebruik neemt of er geen stokjes, steentjes, draad en andere objecten op het te bewerken oppervlak liggen.
- ◆ Gebruik de machine alleen in de juiste positie, met het snijdraad in de buurt van de grond (zie afbeeldingen). Schakel de machine nooit in een andere positie in.
- ◆ Schakel de machine nooit in als uw handen of voeten zich in de buurt van de snijdraad bevinden.
- ◆ Raak nooit de snijdraad aan terwijl de machine is ingeschakeld.

- ◆ Ga niet te werk op steile taluds. Zorg altijd voor een juiste, stabiele houding. Houd er rekening mee dat pas gemaaid gras vochtig en glad is.
- ◆ Ga voorzichtig te werk bij graskanten en grindpaden en -wegen, omdat stenen en grond door de snijdraad kunnen worden weggeslingerd.
- ◆ Zet de machine niet neer voordat de snijdraad volledig tot stilstand is gekomen.
- ◆ Gebruik uitsluitend het geschikte type Black & Decker-snijdraad. Gebruik nooit snijdraad van metaal of vislijn.
- ◆ Voorkom verwonding door het snijmes. Raak het mes niet aan. Breng na het verlengen van de snijdraad de machine altijd weer in de normale stand terug alvorens hem in te schakelen.
- ◆ Zorg dat het netsnoer uit de buurt van het snijdraad wordt gehouden. Zorg dat u altijd op de hoogte bent van de plaats waar het snoer zich bevindt.

### ELEKTRISCHE VEILIGHEID

De machine is ontwikkeld voor een bepaalde netspanning. Controleer altijd of uw netspanning overeenkomt met de waarde op het typeplaatje.



Deze machine is uitsluitend bedoeld voor wisselspanningsvoeding (lichtnet). Probeer nooit om de machine op enige andere stroomvoorziening aan te sluiten.



Deze machine is dubbel geïsoleerd overeenkomstig EN 60335. Een aarddraad is daarom niet vereist.

- ◆ Vermijd aanraking van gearde oppervlakken (bijv. metalen relingen, lantaarnpalen, enz.).
- ◆ Elektrische veiligheid kan verder worden verbeterd met behulp van een hooggevoelige (30 mA / 30 mS) reststroomschakelaar (RCD).

### Verlengsnoeren

Gebruik uitsluitend goedgekeurde verlengsnoeren, die geschikt zijn voor het vermogen van de machine (zie typeplaatje). Het verlengsnoer dient geschikt te zijn voor gebruik buitenshuis.





## NEDERLANDS

- ◆ Controleer het verlengsnoer voor gebruik op beschadiging, veroudering en slijtage. Vervang een beschadigd of defect verlengsnoer.
- ◆ Wanneer het verlengsnoer op een haspel zit, rol het snoer dan helemaal af.
- ◆ Zorg dat het snoer uit de buurt van het snijdraad wordt gehouden. Zorg dat u altijd op de hoogte bent van de plaats waar het snoer zich bevindt.

### INHOUD VAN DE VERPAKKING

De verpakking bevat:

- 1 Grastrimmer
- 1 Beschermkap met montageschroef
- 1 Plantenbeschermer incl. onderdelenpakket (alleen GL660P/GL670P)
- 1 Handleiding

- ◆ Pak zorgvuldig alle onderdelen uit.

### OVERZICHT (fig. A)

1. Aan/uit-schakelaar
2. Handgreep
3. Netsnoerklem
4. Netaansluiting
5. Extra handgreep
6. Instelknop handgreep (GL670/GL670P)
7. Kraag
8. Opberghaken netsnoer
9. Motorhuis
10. Pedaal (GL670/GL670P)
11. Beschermkap
12. Snijmes
13. Kantengeleider
14. Spoelbehuizing
15. Snijdraad

### MONTAGE



Zorg vóór aanvang van de montage dat de machine is uitgeschakeld en de netstekker van het lichtnet is losgekoppeld.

#### Aanbrengen van de beschermkap (fig. B)

- ◆ Verwijder de stekker uit het stopcontact.
- ◆ Verwijder de schroef (16) uit de behuizing.

- ◆ Plaats de beschermkap (11) op de machine zoals afgebeeld.
- ◆ Duw de beschermkap stevig aan totdat hij op zijn plaats klikt.
- ◆ Bevestig de beschermkap met de schroef (16).



Gebruik de machine nooit zonder dat de beschermkap naar behoren is aangebracht.

#### Losmaken van het snijdraad (fig. A)

Voor transport wordt het snijdraad aan de spoelbehuizing vastgeplakt.

- ◆ Verwijder de tape waarmee het snijdraad (15) aan de spoelbehuizing (14) is vastgeplakt.

#### Aanbrengen van de plantenbeschermer (fig. C)

De plantenbeschermer wordt geleverd als standaardaccessoire bij de GL660P en GL670P.

Voor andere modellen is hij leverbaar als optie.

- ◆ Plaats de plantenbeschermer (17) over de beschermkap zoals afgebeeld. Vergewis u ervan dat de plantenbeschermer in de juiste richting wordt gemonteerd.
- ◆ Plaats de twee plastic doppen (18) op de plantenbeschermer waarbij een van de markeringen (19) op de doppen overeenkomt met een markering op de beschermkap.
- ◆ Bevestig de doppen met behulp van de schroeven (20). Draai de schroeven niet te stevig vast.



Wacht totdat de snijdraad tot stilstand is gekomen, voordat u de plantenbeschermer afstelt.

#### Aansluiten van de machine op het elektriciteitsnet (fig. A)

- ◆ Sluit een geschikt verlengsnoer aan op de netaansluiting (4).
- ◆ Haak het snoer achter het netsnoerklem zoals afgebeeld in fig. O.
- ◆ Steek de netstekker in een stopcontact.



Het verlengsnoer dient geschikt te zijn voor gebruik buitenshuis.



## NEDERLANDS

### GEBRUIK



Laat de machine op haar eigen tempo werken. Niet overbelasten.

#### **Instellen van de machine voor strimmen of graskantsnijden (fig. D, E & F)**

De machine kan worden gebruikt voor strimmen zoals afgebeeld in fig. D, of voor graskantsnijden om overhangend gras langs graskanten en bloembedden te strimmen zoals afgebeeld in fig. E.

#### **Strimmen (fig. D & F)**

Voor strimmen staat de strimkop in de stand zoals afgebeeld in fig. D. Indien dit niet het geval is:

- ◆ Draai de kraag (7) linksom.
- ◆ Draai de romp linksom totdat de strimkop in de strimpositie klikt.
- ◆ Draai de kraag rechtsom totdat hij vastzit.

#### **Graskantsnijden (fig. E & F)**

Voor graskantsnijden staat de strimkop in de stand zoals afgebeeld in fig. E. Indien dit niet het geval is:

- ◆ Draai de kraag (7) linksom.
- ◆ Draai de romp rechtsom totdat de strimkop in de positie voor graskantsnijden klikt.
- ◆ Draai de kraag rechtsom totdat hij vastzit.

#### **GL670/GL670P - Instellen van de stand van de extra handgreep (fig. A & G)**

De extra handgreep kan worden ingesteld voor een optimaal evenwicht en comfort.

- ◆ Laat de beschermkap (11) op de grond rusten.
- ◆ Terwijl u de instelknop (6) ingedrukt houdt, beweegt u de handgreep (5) naar de gewenste positie.
- ◆ Laat de instelknop los.

#### **GL660/GL660P/GL670/GL670P - Instellen van de hoogte van de machine (fig. A & H)**

Deze machine heeft een uitschuifbare romp waardoor u een comfortabele hoogte kunt instellen.

- ◆ Laat de beschermkap (11) op de grond rusten.
- ◆ Draai de kraag (7) linksom.
- ◆ Beweeg de handgreep omhoog of omlaag naar de gewenste hoogte.
- ◆ Draai de kraag rechtsom totdat hij vastzit.

#### **GL670/GL670P -**

#### **Instellen van de hoek van de strimkop (fig. I)**

Door de instelbare strimkop kunt u de optimale strimhoek instellen ongeacht uw lichaamslengte. Hierdoor kunt u tevens onder banken en struiken strimmen.

- ◆ Laat de beschermkap (11) op de grond rusten.
- ◆ Terwijl u het pedaal (10) met uw voet ingedrukt houdt, beweegt u de handgreep naar wens omhoog of omlaag.
- ◆ Laat het pedaal los.

#### **Aan- en uitschakelen (fig. A)**

- ◆ Om de machine in te schakelen, drukt u de aan/uit-schakelaar (1) in.
- ◆ Om de machine uit te schakelen, laat u de aan/uit-schakelaar (1) los.



Probeer nooit om de schakelaar in de ingeschakelde stand te blokkeren.

#### **Tips voor optimaal gebruik**

##### **Strimmen**

- ◆ Houd de machine vast zoals afgebeeld in fig. D.
- ◆ Zwaai de strimmer langzaam heen en weer zoals afgebeeld in fig. D.
- ◆ Ga bij het bewerken van lang gras laag voor laag te werk vanaf de bovenkant. Neem kleine stroken.
- ◆ Houd de machine uit de buurt van harde voorwerpen en fijne beplanting.
- ◆ Verminder de belasting als de machine langzamer begint te draaien.

##### **Graskantsnijden**

De beste resultaten worden bereikt op kanten die dieper zijn van 50 mm.

- ◆ Gebruik de machine niet voor het maken van kanten. Gebruik een spade om kanten te maken.
- ◆ Voer de machine langs de graskant zoals afgebeeld in fig. E. Houd de kantengeleider tegen de graskant.
- ◆ Houd de machine een beetje schuin om een nauwkeuriger kant te snijden.





## NEDERLANDS

### Algemeen

- ◆ Voor een optimaal resultaat kunt u het beste alleen droog gras bewerken.

### GL660P/GL670P -

#### Gebruik van de plantenbeschermer (fig. J)

De plantenbeschermer helpt planten te beschermen tijdens het strimmen.

- ◆ Zet de plantenbeschermer voor strimmen in positie A.
- ◆ Zet de plantenbeschermer voor graskantsnijden in positie B of C.
- ◆ Indien er geen planten in de buurt van het snijdraad zijn, zet u de plantenbeschermer in positie D.

### ONDERHOUD

Uw Black & Decker machine is ontworpen om gedurende langere periode te functioneren met een minimum aan onderhoud. Voortdurend tevreden gebruik is afhankelijk van correct onderhoud en regelmatig schoonmaken.



Zorg vóór aanvang van onderhoudswerkzaamheden dat de machine is uitgeschakeld en de netstekker van het lichtnet is losgekoppeld.

- ◆ Reinig regelmatig de ventilatieopeningen in de machine met behulp van een zachte borstel of een droge doek.
- ◆ Reinig regelmatig het snijdraad en de spoel met een zachte borstel of een droge doek.
- ◆ Gebruik regelmatig een botte krabber om gras en vuil uit de beschermkap te verwijderen.

#### Aanbrengen van een nieuwe draadspoel (fig. K & L)

Vervangende draadspoelen zijn verkrijgbaar bij uw Black & Decker-dealer (catalogusnr. A6441). Complete cassettes met een draadspoel zijn eveneens verkrijgbaar (catalogusnr. A6442).

- ◆ Verwijder de stekker uit het stopcontact.
- ◆ Houd de lippen (21) ingedrukt en verwijder het spoeldeksel (22) van de behuizing (23) (fig. K).
- ◆ Verwijder de lege spoel (24) uit het spoeldeksel.
- ◆ Verwijder vuil en gras uit het spoeldeksel en de behuizing.

- ◆ Neem de nieuwe spoel en druk hem op de as in het spoeldeksel. Draai de spoel een beetje totdat hij vastzit.
- ◆ Haal het uiteinde van een van de snijraden los en voer het draad door een van de ogen (25) (fig. L). Het draad dient ca. 9 cm uit het spoeldeksel te steken.
- ◆ Haal het uiteinde van de andere snijdraad los en voer het draad door het andere oog. Het draad dient ca. 9 cm uit het spoeldeksel te steken.
- ◆ Zorg ervoor dat de lippen (21) op de spoel overeenkomen met de gaten (26) in de behuizing (fig. K.)
- ◆ Druk het deksel op de behuizing totdat het netjes op zijn plaats klikt.



Knip het snijdraad af als het verder dan het snijmes (12) uitsteekt zodat het draad het mes niet raakt.

#### Winden van nieuwe draad op een lege spoel (fig. M, N & P)

U kunt nieuwe snijdraad op een lege spoel winden. Vervangende snijdraad is verkrijgbaar bij uw Black & Decker-dealer (catalogusnr. A6440).

- ◆ Verwijder de lege spoel uit de machine zoals hierboven beschreven.
- ◆ Verwijder het oude snijdraad uit de spoel.
- ◆ Wind het nieuwe draad eerst op het bovenste gedeelte van de spoel:
  - Voer 2 cm snijdraad in een van de gaten in het bovenste gedeelte van de spoel zoals afgebeeld.
  - Wind het snijdraad op de spoel in de richting van de pijl. Zorg dat het draad netjes in lagen op de spoel wordt gewonden. Niet kriskras opwinden.
  - Knip het snijdraad door zodra het opgewonden draad tot de uitsparingen (28) komt.
  - Stop het draad tijdelijk in de sleuven (27) aan één kant van de spoel zoals afgebeeld.
- ◆ Herhaal de bovenstaande procedure voor het tweede snijdraad op het onderste gedeelte van de spoel. Stop het draad in de ongebruikte sleuven (27).



## NEDERLANDS

- ◆ Ga verder te werk zoals hierboven beschreven om de spoel op de machine aan te brengen. Vergeet niet om het snijdraad uit de sleuven (27) te verwijderen.



Gebruik uitsluitend het geschikte type Black & Decker-snijdraad. Zorg dat er op beide gedeelten van de spoel snijdraad zit (fig. P).

### STORINGEN VERHELPEN

Indien uw machine niet naar behoren functioneert, volg dan onderstaande instructies. Als hierdoor het probleem niet wordt opgelost, kunt u contact opnemen met uw plaatselijke Black & Decker service-centrum.



Neem voor de werkzaamheden de netstekker uit het stopcontact.

### Machine draait langzaam

- ◆ Controleer of de behuizing van de spoel vrij kan ronddraaien. Maak indien nodig de behuizing schoon.
- ◆ Controleer of het snijdraad niet meer dan 9 cm uitsteekt vanaf de behuizing van de spoel. Knip indien dit wel het geval is het draad af zodat het net het snijmes raakt.

### Automatische draadvoeding werkt niet

- ◆ Houd de lippen ingedrukt en verwijder het spoeldeksele van de behuizing.
- ◆ Trek aan het snijdraad totdat het 9 cm uitsteekt vanaf de behuizing. Plaats een nieuwe spoel met snijdraad (zie bovenstaande instructies) indien er onvoldoende snijdraad op de spoel is overgebleven.
- ◆ Houd de lippen op de draadspoel voor de gaten in de behuizing.
- ◆ Druk het deksel op de behuizing totdat het netjes op zijn plaats klikt.
- ◆ Knip het snijdraad af als het verder dan het snijmes uitsteekt zodat het draad het mes net raakt.

Indien de automatische draadvoeding nog steeds niet werkt of de spoel vastzit, probeer dan de volgende suggesties:

- ◆ Reinig zorgvuldig het deksel en de behuizing van de spoel.
- ◆ Verwijder de spoel en controleer of de hefboom vrij kan bewegen.
- ◆ Verwijder de spoel en wikkel het snijdraad af, wind het daarna weer netjes op de spoel zoals hierboven beschreven. Plaats de spoel terug volgens instructies.

### GEBRUIKTE MACHINES EN HET MILIEU



Wanneer uw oude Black & Decker machine aan vervanging toe is, breng deze dan naar een Black & Decker service-center voor milieuvriendelijke verwerking.

### GARANTIE

**Black & Decker biedt u een garantie van 12 maanden. Een aankoopbewijs is vereist.**

Mocht uw Black & Decker product binnen 12 maanden na datum van aankoop defect raken tengevolge van materiaal- of constructiefouten, dan garanderen wij de kosteloze vervanging van alle defecte delen of van het gehele product, zulks ter beoordeling van Black & Decker, op voorwaarde dat:

- ◆ Het product aan ons of een erkende reparateur wordt geretourneerd, met bewijs van aankoop.
- ◆ Het product uitsluitend voor consumententoepassingen is gebruikt.
- ◆ Het product niet voor verhuurdoeleinden is gebruikt.
- ◆ Geen reparaties zijn uitgevoerd door onbevoegden.
- ◆ Het defect een gevolg van normale slijtage is.

Deze garantie vormt een aanvulling op uw wettelijke rechten.

### Ons garantiebeleid

De volgende defecten vallen niet onder de garantie:

- ◆ Versleten of beschadigde messen, zaagbladen, nylon snoeren, kettingen en kabels. Deze onderdelen zijn bij normaal gebruik onderhevig aan slijtage.
- ◆ Defecten veroorzaakt door vallen, stoten of duidelijk misbruik.





## NEDERLANDS

- ◆ Defecten veroorzaakt door het niet opvolgen van de voorschriften en aanbevelingen in deze handleiding.

**Het gebruik van accessoires en onderdelen anders dan die van Black & Decker kan de prestaties van het product verminderen, tot beschadiging leiden en de garantie doen vervallen.**

### KLANTENSERVICE

Nadere informatie over onze service vindt u op Internet: [www.2helpU.com](http://www.2helpU.com). U kunt ook contact opnemen met onze service- en informatiecentra. Adresinformatie vindt u achter in deze handleiding.

Black & Decker biedt de klanten service via een landelijk netwerk van servicecentra.

Ons streven is een uitstekende service: snelle reparaties, een uitgebreide voorraad onderdelen en volledige ondersteuning.

Mocht uw machine defect raken, lever hem dan in bij de handelaar bij wie u hem heeft gekocht of stuur hem naar een van onze servicecentra.

### ANDERE MACHINES VOOR GEBRUIK IN DE TUIN

Black & Decker heeft een compleet scala aan machines die het leven in de tuin vereenvoudigen. Als u meer informatie over de volgende producten wenst, neemt u dan contact op met ons Service- en Informatiecentrum (zie de adrespagina aan het eind van deze handleiding) of uw plaatselijke Black & Decker detailhandelaar.

Strimmers	Kettingzagen
Accu-bezems	Accu-grasscharen
Accu-tuinscharen	Heggenscharen
Grasmaaiers	Verticuteerders
Bladruimers	Hakselaars

Niet ieder product is verkrijgbaar in alle landen.

ESPAÑOL

## RECORTADORA GL650/GL660/GL660P/GL670/GL670P

### ¡ENHORABUENA!


Ha escogido una herramienta Black & Decker. Nuestro objetivo es ofrecerle herramientas de calidad a un precio asequible y estamos seguros que podrá disfrutar de esta herramienta durante muchos años.

### DECLARACIÓN CE DE CONFORMIDAD

**CE** GL650/GL660/GL660P/GL670/GL670P  
Black & Decker certifica que estas herramientas eléctricas han sido construidas de acuerdo a las normas siguientes: 98/37/CEE, 89/336/CEE, 73/23/CEE, EN 60335, EN 55014, EN 61000

El nivel de la presión acústica, medida de acuerdo con 84/538/CEE:

		GL650	GL660	GL670
			GL660P	GL670P
$L_{pA}$	(presión acústica) dB(A)	83	83	83
$L_{WA}$	(potencia acústica) dB(A)	96	96	96

 Tome medidas adecuadas para proteger sus oídos cuando la presión acústica exceda el valor de 85 dB(A).

Valor cuadrático medio ponderado en frecuencia de la aceleración según 98/37/CEE:

GL650	GL660	GL660P	GL670	GL670P
< 2,5 m/s <sup>2</sup>	< 2,5 m/s <sup>2</sup>	< 2,5 m/s <sup>2</sup>	< 2,5 m/s <sup>2</sup>	< 2,5 m/s <sup>2</sup>



Brian Cooke  
Director de Ingeniería  
Spennymoor, County Durham DL16 6JG,  
United Kingdom

### FINALIDAD

Su recortabordes Black & Decker GL650/GL660/GL660P/GL670/GL670P está diseñado para recortar y rematar bordes de césped y para cortar el césped en espacios reducidos. Esta herramienta está pensada únicamente para consumo doméstico.

### INSTRUCCIONES DE SEGURIDAD

#### Pictogramas

En el presente manual figuran los pictogramas siguientes:



Indica peligro de lesiones, de accidentes mortales o de averías en la herramienta en caso de no respeto de las instrucciones en este manual.



Indica tensión eléctrica.



Lea el manual antes de utilizar la herramienta.

#### Conozca su herramienta



- ♦ **¡Atencion!** Cuando use herramientas eléctricas, debe seguir siempre las precauciones de seguridad básicas, incluidas las siguientes, a fin de reducir el riesgo de incendios, electrocución y lesiones personales.
- ♦ Lea completamente este manual antes de utilizar la herramienta.
- ♦ Antes de poner en marcha la herramienta, compruebe que sabe cómo desconectarla en caso de emergencia.





## ESPAÑOL

- ◆ En este manual se explica para qué uso está destinada la herramienta. El uso de otros accesorios, adaptadores, o la propia utilización de la herramienta en cualquier forma diferente de las recomendadas en este manual de instrucciones puede constituir un riesgo de lesiones a las personas.
- ◆ Mantenga a mano este manual para consultas posteriores.

### Área de trabajo

- ◆ No exponga herramientas a la humedad.
- ◆ Utilice la herramienta sólo a la luz del día o con una buena iluminación artificial.

### Protección personal

- ◆ Lleve zapatos resistentes o botas para proteger sus pies. No trabaje con esta herramienta cuando tenga puestas sandalias en las que queden expuestos los dedos de los pies, ni cuando esté descalzo.
- ◆ Lleve pantalones largos para proteger sus piernas.

### Utilización de su herramienta

- ◆ Asegúrese de que la herramienta esté apagada cuando la enchufe.
- ◆ Esté siempre alerta. Mire lo que está haciendo. Use el sentido común.
- ◆ No maneje la herramienta cuando está cansado.
- ◆ Si la herramienta comenzara a vibrar de forma anormal, apáguela y extraiga el enchufe del tomacorriente. Espere hasta que se hayan detenido completamente las partes rotatorias, e inspeccione la herramienta en búsqueda de piezas dañadas o flojas.
- ◆ Nunca tire del cable para desconectarlo del enchufe. Proteja el cable del calor, del aceite y de las aristas vivas.
- ◆ Si el cable de alimentación de corriente se dañara durante la utilización de la herramienta, apague la misma y desconecte inmediatamente el enchufe del tomacorriente.

**No toque el cable de alimentación de corriente antes de desenchufarlo del tomacorriente.**

### Seguridad de otras personas

- ◆ Crianças ou qualquer pessoa que não tenha lido este manual de instruções ou não esteja familiarizada com a ferramenta não a deverá utilizar.
- ◆ No permita que niños, otras personas o animales se acerquen al área de trabajo ni toquen la herramienta o el cable de corriente.
- ◆ Recuerde que el operador es responsable de los accidentes o daños ocasionados a otras personas o a sus pertenencias.

### Cuando acabe de utilizar la herramienta

- ◆ Apáguela, desconecte el enchufe del tomacorriente, y asegúrese de que todas las partes rotatorias se hayan detenido completamente antes de dejar desatendida la herramienta, y antes de cambiar, limpiar o inspeccionar cualquiera de las piezas de la misma.
- ◆ Cuando no esté siendo utilizada, la herramienta debe guardarse en un lugar seco. Los niños no deben tener acceso a las herramientas guardadas.

### Inspección y reparaciones

- ◆ Antes de utilizarla, revise la herramienta para ver si está dañada o tiene piezas defectuosas. Compruebe la posible existencia de piezas móviles mal alineadas o atascadas, la rotura de piezas, el posible daño de protectores e interruptores y cualquier otros aspecto que pueda afectar al funcionamiento de la herramienta.
- ◆ No use la herramienta si hay alguna pieza defectuosa o averiada. No utilice la herramienta si no es posible apagar y encender el interruptor.
- ◆ No utilice nunca la herramienta cuando cualquiera de sus cubiertas protectoras o carcassas esté dañada o fuera de su lugar.
- ◆ Asegúrese de que la herramienta puede funcionar adecuadamente y cumplir con el cometido para el que ha sido diseñada.
- ◆ Encargue al servicio técnico autorizado que repare o sustituya las piezas defectuosas o averiadas.



## ESPAÑOL

- ◆ Antes de utilizar la herramienta, revise el cable de alimentación de corriente para ver si presenta señales de daños, envejecimiento o desgaste.
- ◆ No utilice la herramienta si el cable de alimentación de corriente está dañado o defectuoso.
- ◆ Si el cable eléctrico está estropeado, hay que sustituirlo en un agente de reparaciones autorizado con el fin de evitar un accidente.
- ◆ No intente nunca extraer o reemplazar ninguna de las piezas que no sean las especificadas en este manual.

### Instrucciones de seguridad adicionales para recortabordes

Encontrará los siguientes símbolos de advertencia en la herramienta:



Lleve gafas protectoras cuando utilice esta herramienta.



La línea de corte continuará funcionando durante unos segundos después de desconectar la herramienta. Nunca intente forzar la parada de la línea de corte.



Mantenga a las personas y animales a una distancia mínima de 6 m del área de corte.



No exponga la herramienta a lluvia o humedad elevada.



Apáguela, desconecte el enchufe del tomacorriente, y asegúrese de que todas las partes rotatorias se hayan detenido completamente antes de dejar desatendida la herramienta, y antes de cambiar, limpiar o inspeccionar cualquiera de las piezas de la misma.

- ◆ Antes de usar la herramienta, compruebe que el trayecto de corte está libre de palos, piedras, cables o cualquier otro obstáculo.
- ◆ Utilice la herramienta solamente en la posición correcta, con la línea de corte próxima al suelo, tal como se muestra en las ilustraciones.

Nunca encienda la herramienta en ninguna otra posición.

- ◆ Encienda la herramienta solamente cuando las manos y los pies estén alejados del cable de corte.
- ◆ Evite el contacto corporal con el cable de corte mientras la herramienta esté en funcionamiento.
- ◆ No trabaje en cuestas empinadas. Asegúrese de estar parado firmemente. Tenga en cuenta que el césped recién cortado está húmedo y resbaladizo.
- ◆ Tenga cuidado cuando esté cortando cerca de las orillas y sendas o caminos de grava, ya que el cable de corte puede lanzar piedras y tierra.
- ◆ No suelte la herramienta hasta que la línea de corte se haya parado totalmente.
- ◆ Use únicamente el tipo adecuado de línea de corte Black & Decker. Nunca use líneas de corte o rematadores metálicos.
- ◆ Tenga cuidado de evitar las lesiones que pudiera provocar la cuchilla. No toque la cuchilla. Luego de colocar un cable de corte nuevo, coloque siempre la herramienta en su posición de trabajo normal antes de encenderla.
- ◆ Tenga cuidado para que el cable no se acerque a la hoja de corte. No pierda de vista el cable en ningún momento.

### SEGURIDAD ELÉCTRICA

La herramienta ha sido diseñada para una tensión solamente. Compruebe siempre que la tensión de la red corresponda con el valor indicado en la placa de datos de la herramienta.



Esta herramienta está diseñada solamente para alimentación de corriente alterna. No intente utilizarla con ninguna otra fuente de alimentación eléctrica.



A herramienta tiene doble aislamiento, conforme a la norma EN 60335; por consiguiente, no se requiere conexión a tierra.

- ◆ Evite el contacto del cuerpo con superficies conectadas a masa o tierra (por ejemplo verjas metálicas o farolas, etc.).



## ESPAÑOL

- ◆ Se puede incrementar la seguridad eléctrica utilizando disyuntores de alta sensibilidad (30 mA/30 mS) para detectar corrientes de fuga.

### Utilización de un cable de prolongación

Utilice siempre un cable alargador homologado, apropiado para el consumo de corriente de esta herramienta (ver placa de datos de la herramienta). El cable alargador debe ser adecuado para uso en exteriores.

- ◆ Antes de utilizar la herramienta, revise el cable de alimentación de corriente para ver si presenta signos de daños, envejecimiento o desgaste. Reemplace el cable alargador si estuviera dañado o defectuoso.
- ◆ Si utiliza un carrete de cable, desenrolle siempre el cable completamente.
- ◆ Tenga cuidado para que el cable no se acerque a la hoja de corte. No pierda de vista el cable en ningún momento.

### CONTENIDO DE LA CAJA

La caja contiene:

- 1 Recortadora para césped
- 1 Protección con tornillos de fijación
- 1 Protector de plantas, incluye paquete de piezas (sólo en GL660P/GL670P)
- 1 Manual de instrucciones

- ◆ Desembale con cuidado todas las piezas.

### VISTA GENERAL (fig. A)

1. Conmutador ON/OFF (encendido/apagado)
2. Empuñadura
3. Alojamiento para el cable
4. Toma de corriente (no para UK)
5. Mango secundario
6. Botón del mango (GL670/GL670P)
7. Anillo de bloqueo
8. Ganchos de alojamiento del cable
9. Carcasa del motor
10. Pedal (GL670/GL670P)
11. Protección
12. Cuchilla de recorte en línea
13. Guía para ribetear
14. Alojamiento del carrete
15. Hilo de corte

### MONTAJE



Antes de proceder al montaje, compruebe que la herramienta está apagada y desenchufada.

#### Montaje de la protección (fig. B)

- ◆ Desenchufe la herramienta.
- ◆ Retire el tornillo (16) del alojamiento.
- ◆ Coloque la protección (11) en la herramienta tal y como se indica.
- ◆ Presione firmemente sobre la protección hasta que encaje en su sitio.
- ◆ Sujete la guarda con el tornillo (16).



No utilice nunca la herramienta sin la protección debidamente montada en su sitio.

#### Suelte la línea de corte (fig. A)

Para transportarlo, hay que adherir la línea de corte a la carcasa del carrete.

- ◆ Retire la cinta que sujeta la línea de corte (15) a la carcasa del carrete (14).

#### Montaje del protector de plantas (fig. C)

El protector de plantas es un accesorio ordinario que se suministra con el GL660P y GL670P.

Para otros modelos, es un accesorio opcional.

- ◆ Coloque el protector de plantas (17) encima de la protección tal y como se indica. Asegúrese de que la orientación es la correcta.
- ◆ Coloque las dos tapas de plástico (18) en el protector de plantas, alineando las marcas (19) de las tapas con las de la protección (11).
- ◆ Fije las tapas utilizando los tornillos (20). No apriete los tornillos en exceso.



Espera a que la línea de corte haya llegado a pausa antes de ajustar el protector de plantas.

#### Conexión de la herramienta a la red eléctrica (fig. A)

- ◆ Conecte a la toma de corriente el conector hembra de un cable eléctrico adecuado (4).
- ◆ Arrolle el cable en torno al alojamiento para el cable según se indica en la figura O.



## ESPAÑOL

- ◆ Conecte el enchufe a una toma de corriente.



El cable alargador debe ser adecuado para uso en exteriores.

### USO



Deje que la herramienta funcione a su ritmo. No la sobrecargue.

### Coloque la herramienta en modo de recorte de bordes o ribeteador (fig. D, E & F)

La herramienta puede usarse en modo de recorte de bordes, como se indica en la fig. D, o en modo ribeteador, para recortar el césped que sobresale de bordes y parterres, como se indica en la fig. E.

#### Modo de recorte de bordes (fig. D & F)

Para recortar, el cabezal del recortabordes debe estar en la posición indicada en la fig. D. Si no lo está:

- ◆ Gire el anillo de bloqueo (7) en sentido contrario al de las agujas del reloj.
- ◆ Gire el cuerpo del recortabordes en sentido contrario al de las agujas del reloj hasta que la cabeza del recortabordes se acople en su posición de recorte.
- ◆ Apriete el anillo de bloqueo, girándolo en el sentido de las agujas del reloj.

#### Modo ribeteador (fig. D & F)

Para ribetear, el cabezal del recortabordes debe estar en la posición indicada en la fig. E. Si no lo está:

- ◆ Gire el anillo de bloqueo (7) en sentido contrario al de las agujas del reloj.
- ◆ Gire el cuerpo del recortabordes en el sentido de las agujas del reloj hasta que la cabeza del recortabordes se acople en la posición para ribetear.
- ◆ Apriete el anillo de bloqueo, girándolo en el sentido de las agujas del reloj.

### GL670/GL670P - Ajuste de la posición del mango secundario (fig. A & G)

El mango secundario puede ajustarse para proporcionar un equilibrio y confort óptimos.

- ◆ Deje que la guarda (11) descance en el suelo.

- ◆ Cuando mantenga pulsado el botón del mango (6), mueva el mango (5) hasta la posición que desee.
- ◆ Suelte el botón del mango.

### GL660/GL660P/GL670/GL670P -

#### Ajuste de la altura de la herramienta (fig. A & H)

Esta herramienta tiene un cuerpo telescópico, para ajustarlo a una altura que le resulte cómoda.

- ◆ Deje que la guarda (11) descance en el suelo.
- ◆ Gire el anillo de bloqueo (7) en sentido contrario al de las agujas del reloj.
- ◆ Mueva el interruptor del mango hacia arriba o hacia abajo hasta la altura deseada.
- ◆ Apriete el anillo de bloqueo, girándolo en el sentido de las agujas del reloj.

### GL670/GL670P - Ajuste del ángulo de la cabeza del ribeteador (fig. I)

El ángulo ajustable de la cabeza del ribeteador le permite ajustar el ángulo de corte óptimo con independencia de su longitud. También le permite recortar debajo de macizos y arbustos.

- ◆ Deje que la guarda (11) descance en el suelo.
- ◆ Mueva el interruptor del mango hacia arriba o hacia abajo, según sea necesario, mientras mantiene pisado el pedal (10).
- ◆ Suelte el pedal.

### Encendido y apagado (fig. A)

- ◆ Para poner en marcha la herramienta, pulse el interruptor on/off (1).
- ◆ Para parar la herramienta, suelte el interruptor on/off.



No intente nunca bloquear el interruptor en la posición de encendido (On).

### Consejos para un uso óptimo

#### Recorte de bordes

- ◆ Sujete la herramienta como se indica en la fig. D.
- ◆ Bascule suavemente el recortabordes de un lado a otro como se indica en la fig. D.
- ◆ Cuando se corte un césped alto, realice el trabajo por etapas empezando por la parte superior. Haga cortes pequeños.





## ESPAÑOL

- ◆ Mantenga la herramienta alejada de objetos duros y plantas delicadas.
- ◆ Si la herramienta empieza a funcionar lentamente, reduzca la carga.

### Reborderar

Los mejores resultados de corte se consiguen en bordes de profundidad superior a 50 mm.

- ◆ No use la herramienta para crear bordes. Para crear bordes, use una azada reborderadora.
- ◆ Dirija la herramienta como se indica en la fig. E. Mantenga la dirección para reborderar contra los bordes del césped.
- ◆ Para un corte más apurado, incline ligeramente la herramienta.

### Generalidades

- ◆ Para lograr un corte óptimo, corte únicamente el césped que esté seco.

### GL660P/GL670P -

#### Uso del protector de plantas (fig. J)

El protector de plantas le ayudará a proteger las plantas mientras recorta los bordes del césped.

- ◆ En el modo de recorte, coloque el protector de plantas en posición A.
- ◆ En el modo ribeteador, coloque el protector de plantas en posición B o C.
- ◆ Si no hay plantas cerca del área de corte, coloque el protector de plantas en posición D.

### MANTENIMIENTO

Su herramienta Black & Decker está diseñada para funcionar durante un largo período de tiempo con un mantenimiento mínimo. El funcionamiento satisfactorio continuado depende de un cuidado apropiado y una limpieza periódica de la herramienta.



Antes de realizar cualquier tipo de mantenimiento, apague y desenchufe la herramienta.

- ◆ Limpie periódicamente las ranuras de ventilación de la herramienta con un cepillo suave o con un paño seco.
- ◆ Limpie periódicamente las hojas y la bobina de hilo para corte con un cepillo suave o un paño seco.

- ◆ Utilice periódicamente un raspador romo para eliminar la hierba y la suciedad existente debajo de la protección.

### Colocación de una nueva bobina de hilo de línea de corte (fig. K & L)

Encontrará repuestos de bobinas de hilo de línea de corte en su concesionario Black & Decker (número de catálogo A6441). También se dispone de cajetines con carretes de hilo de corte (número de catálogo A6442).

- ◆ Desenchufe la herramienta.
- ◆ Mantenga presionados los topes (21) y retire la tapa de la bobina de hilo (22) de la caja (23) (fig. K).
- ◆ Retire la bobina de hilo vacía (24) de su alojamiento.
- ◆ Retire la suciedad o residuos de la tapa del carrete y de su carcasa.
- ◆ Tome el carrete nuevo y empújelo en el asiento de la carcasa del carrete. Gire ligeramente el carrete hasta que se acople.
- ◆ Suelte el extremo de una de las líneas de corte e introdúzcalo por uno de los ojales (25) (fig. L). La línea debería asomar unos 9 cm de la cubierta del carrete.
- ◆ Suelte el extremo de la otra línea de corte e introdúzcalo en el otro orificio. La línea debería asomar unos 9 cm de la cubierta del carrete.
- ◆ Alinee los topes (21) de la tapa de la bobina de hilo con los orificios (26) del alojamiento (fig. K).
- ◆ Empuje la tapa sobre la carcasa hasta que encaje firmemente en su asiento.



Si la línea de corte sobresale más allá de la hoja de corte (12), córtelas de forma que lleguen justo hasta la hoja de corte.

### Arrollamiento de una nueva línea de corte en un carrete vacío (fig. M, N & P)

Se puede devanar un cable de corte nuevo en un carrete vacío. Encontrará paquetes con líneas de corte en su concesionario Black & Decker (número de catálogo A6440).

- ◆ Retire el carrete vacío de la herramienta como se ha descrito anteriormente.





## ESPAÑOL

- ◆ Extraiga la línea de corte residual de la bobina de hilo.
- ◆ En primer lugar, arrolle la hoja nueva en la parte superior del carrete:
  - Introduzca unos 2 cm de línea de corte en una de las rendijas del carrete, tal y como se indica.
  - Enrolle la línea de corte en la bobina de hilo en la dirección de la flecha. Asegúrese de arrollar el cable de corte cuidadosamente, formando capas. Evite que el cable de corte se cruce consigo mismo en una capa al ser arrojado en el carrete.
  - Cuando la línea de corte devanada alcance las ranuras (28), córtela.
  - Aparte temporalmente la hoja en las ranuras (27) situadas a uno de los lados del carrete como se indica.
- ◆ Repita el procedimiento anterior para la segunda hoja de corte situada en la sección inferior del carrete. Aparte la hoja en las ranuras (27) sin ocupar.
- ◆ Proceda como se ha descrito anteriormente para colocar el carrete en la herramienta. No olvide soltar la hoja de corte de las ranuras de sujeción temporal (27).



Use únicamente el tipo adecuado de línea de corte Black & Decker. Cerciérese de que hay hilo de corte en ambas secciones del carrete (Fig. P)

### LOCALIZACIÓN DE AVERÍAS

Si su herramienta no funciona adecuadamente, siga estas instrucciones. Si esto no resuelve el problema, póngase en contacto con el servicio de reparaciones de Black & Decker de su zona.



Antes de cualquier operación, desenchufe la herramienta.

### La herramienta funciona lentamente

- ◆ Compruebe que la caja de la bobina de hilo puede girar libremente. Límpiela con cuidado si fuera necesario.
- ◆ Compruebe que la línea de corte no sobresale más de 9 cm de la caja de la bobina de hilo. Si así fuera, corte lo que sobre para que llegue justo hasta la hoja de corte.

### No funciona el avance automático de la hoja de corte

- ◆ Mantenga los topes pulsados y retire la tapa de la bobina de hilo.
- ◆ Tire de la hoja de corte hasta que asome 9 cm del alojamiento. Si no queda suficiente hoja de corte en el carrete, instale uno nuevo como se ha indicado anteriormente.
- ◆ Alinee los topes de la tapa de la bobina de hilo con los orificios de la caja.
- ◆ Empuje la tapa sobre la carcasa hasta que encaje firmemente en su asiento.
- ◆ Si la línea de corte sobresale más allá de la hoja de ribetear, córtela hasta que llegue justo hasta la hoja.

Si el avance automático de la línea de corte sigue sin funcionar, intente las siguientes acciones:

- ◆ Limpie con cuidado la tapa y la caja de la bobina de hilo.
- ◆ Retire la bobina de hilo y compruebe que la palanca se mueve libremente.
- ◆ Retire la bobina de hilo y desenrolle la línea de corte, luego enróllela nuevamente con cuidado como se describe más arriba. Sustituya la bobina de hilo como se indica.

### HERRAMIENTAS DESECHADAS Y EL MEDIO AMBIENTE



Si llega el momento en que cree que debe reemplazar su herramienta, o no la piensa utilizar más, piense en la protección del medio ambiente. Los servicios postventa Black & Decker aceptarán sus herramientas viejas Black & Decker y se desharán de ellas de la forma menos perjudicial para el medio ambiente.

### GARANTÍA

Si durante el periodo de 12 meses posterior a su adquisición su producto Black & Decker presentara defectos de materiales o mano de obra, el fabricante garantiza su reparación gratuita o su sustitución por uno nuevo, a nuestro criterio, siempre que:





## ESPAÑOL

- ◆ El producto se envíe a un centro de servicio Black & Decker con prueba de su fecha de compra.
- ◆ El producto haya sido adquirido por el propio usuario y no para alquilarlo.
- ◆ El producto haya sido correctamente utilizado y tratado con cuidado.
- ◆ No se haya intentado repararlo por personal distinto al de los centros de servicio autorizados.

### NUESTRA POLÍTICA DE GARANTÍA

Las averías debido a lo siguiente no están cubiertas por la garantía:

- ◆ Recambio de cuchillas viejas o dañadas o cables rotos al usar o almacenar. Éstas se consideran piezas de recambio que se gastan durante el uso normal.
- ◆ Averías debidas a impactos, golpes o maltratos manifiestos.
- ◆ Averías debidas a un uso en desacuerdo con las instrucciones y recomendaciones contenidas en este manual.

**El uso de otros accesorios y recambios que no sean Black & Decker pueden dañar o reducir las características de su producto Black & Decker y anularían la cobertura de esta garantía.**

### SERVICIO POSTVENTA

Hay disponible en Internet información completa sobre nuestro servicio postventa en **www.2helpU.com**. Como alternativa, puede ponerse en contacto con nuestro Centro de Servicio e Información en la dirección que figura al final de este manual.

Black & Decker le ofrece una extensa red de servicios postventa en todo el país.

Nuestro objetivo es ofrecerle el mejor servicio, reparaciones rápidas, todos los repuestos disponibles y un completo surtido de accesorios.

Si su producto Black & Decker necesita reparación, la solución más rápida y sencilla es llevarlo o enviarlo a un servicio postventa Black & Decker, con la tarjeta si está en garantía.

### OTRAS HERRAMIENTAS DE JARDINERÍA

Black & Decker cuenta con una amplia gama de herramientas de jardinería para hacerle la vida en el jardín más fácil. Si desea más información sobre los siguientes productos, no dude en ponerse en contacto con nuestro Centro de Servicio e Información (consulte la página de direcciones al final de este manual) o diríjase a su concesionario local de Black & Decker.

Motosierras  
Recortabordes  
Recortasetos  
Cortacéspedes  
Escarificadores  
Aspiradores-sopladores

Todos los productos no se encuentran disponibles en todos los países.

## PORTUGUÊS

# APARADOR DE RELVA GL650/GL660/GL660P/GL670/GL670P

### PARABÉNS!


Você escolheu uma ferramenta Black & Decker. O nosso objectivo é fornecer ferramentas de qualidade a um preço acessível. Esperamos que a utilize por muitos anos.

### DECLARAÇÃO DE CONFORMIDADE

**CE** GL650/GL660/GL660P/GL670/GL670P  
Black & Decker declara que estas ferramentas foram concebidas em conformidade com: 98/37/CEE, 89/336/CEE, 73/23/CEE, EN 60335, EN 55014, EN 61000

Nível de potência sonora, medido de acordo com a 84/538/CEE:

		GL650	GL660	GL670
			GL660P	GL670P
$L_{pA}$	(pressão sonora) dB(A)	83	83	83
$L_{WA}$	(potência sonora) dB(A)	96	96	96

 Use protectores auditivos quando a potência sonora ultrapassar 85 dB(A).

Valor médio quadrático ponderado em frequência de aceleração conforme à 98/37/CEE:

GL650	GL660	GL660P	GL670	GL670P
< 2,5 m/s <sup>2</sup>	< 2,5 m/s <sup>2</sup>	< 2,5 m/s <sup>2</sup>	< 2,5 m/s <sup>2</sup>	< 2,5 m/s <sup>2</sup>



Brian Cooke  
Engenheiro Responsável  
Spennymoor, County Durham DL16 6JG,  
United Kingdom

### FINALIDADE DA FERRAMENTA

O aparador GL650/GL660/GL660P/GL670/GL670P da Black & Decker foi projectado para aparar e acertar orlas, bem como cortar relva em espaços limitados. Esta ferramenta destina-se apenas para uso doméstico.

### INSTRUÇÕES DE SEGURANÇA

#### Símbolos

Os seguintes símbolos são usados neste manual:



Indica risco de ferimentos, perda de vida ou danos na ferramenta no caso do não-cumprimento das instruções deste manual.



Indica tensão eléctrica.



Leia este manual antes de utilizar a ferramenta.

#### Conhecer a ferramenta



- ◆ **Aviso!** Ao utilizar ferramentas eléctricas, é preciso seguir sempre as precauções básicas para a segurança, incluindo as detalhadas a seguir, para diminuir os riscos de incêndio, choque eléctrico e ferimentos pessoais.
- ◆ Leia atentamente este manual antes de utilizar a ferramenta.
- ◆ Antes de utilizar a ferramenta, certifique-se de que sabe como desligá-la em uma emergência.
- ◆ Neste manual indicam-se as aplicações da ferramenta. O uso de qualquer acessório ou da própria ferramenta, além do que é recomendado neste manual de instruções pode dar origem a riscos de ferimentos.





## PORTUGUÊS

- ◆ Guarde este manual para referência futura.

### Área de trabalho

- ◆ Não exponha a ferramenta à chuva. Não utilize a ferramenta em situações onde haja humidade ou água.
- ◆ Utilize a ferramenta apenas durante o dia ou com boa iluminação artificial.

### Protecção pessoal

- ◆ Utilize botas ou sapatos resistentes para proteger os pés. Não a opere descalço ou se estiver a utilizar sandálias.
- ◆ Vista calças compridas para proteger as pernas.

### Utilização da ferramenta

- ◆ Assegure-se de que a ferramenta esteja desligada quando for ligá-la à tomada.
- ◆ Esteja atento. Dê atenção ao que vai fazendo. Trabalhe com precaução.
- ◆ Não utilize ferramentas quando estiver cansado.
- ◆ Se a ferramenta começar a vibrar de forma anormal, desligue-a e remova o plugue da tomada. Aguarde as peças giratórias cessarem o movimento e verifique a existência de danos ou peças soltas.
- ◆ Nunca puxe o cabo para desligá-lo da tomada. Proteja o cabo contra o calor e evite o contacto com óleo e objectos cortantes.
- ◆ Se o fio eléctrico sofrer danos durante o uso, desligue a ferramenta e desconecte o plugue da tomada imediatamente. **Não toque o fio eléctrico antes de desconnectá-lo da tomada.**

### Segurança de outras pessoas

- ◆ Crianças ou qualquer pessoa que não tenha lido este manual de instruções ou não esteja familiarizada com a ferramenta não a deverá utilizar.
- ◆ Não permita que crianças, visitantes ou animais cheguem perto da área de trabalho ou toquem na ferramenta ou no cabo de força.
- ◆ Lembre-se que o operador poderá ser responsabilizado por acidentes ou danos causados a pessoas ou à sua propriedade.

### Após o uso

- ◆ Desligue-a, remova o plugue da tomada e, antes de trocar, limpar ou inspeccionar qualquer peça da ferramenta, certifique-se de que haja cessado o movimento das peças giratórias.
- ◆ Quando fora de uso, armazene a ferramenta em local seco. Mantenha as ferramentas armazenadas fora do alcance de crianças.

### Inspeção e reparações

- ◆ Antes do uso, verifique a existência de danos ou defeitos nas peças. Verifique o tamanho das peças móveis e se as mesmas estão alinhadas; verifique se há alguma peça partida, se as protecções e os interruptores estão danificados, bem como quaisquer outras condições que possam afectar o funcionamento da ferramenta.
- ◆ Não utilize a ferramenta se houver alguma peça defeituosa. Não utilize a ferramenta se o interruptor não estiver a funcionar para ligar ou desligar.
- ◆ Nunca utilize a ferramenta se houver danos em algum dispositivo protector ou invólucro ou se os mesmos estiverem fora do lugar.
- ◆ Assegure-se de que a ferramenta funcione correctamente e de que esteja a desempenhar as funções para as quais foi projectada.
- ◆ Qualquer peça defeituosa deve ser reparada ou substituída por um técnico autorizado.
- ◆ Verifique se há sinais de danos, envelhecimento e desgaste no cabo eléctrico.
- ◆ Não utilize a ferramenta se o fio eléctrico estiver danificado ou com defeitos.
- ◆ Para evitar situações de risco, o cabo eléctrico danificado deverá ser substituído por um agente de reparações autorizado.
- ◆ Nunca tente remover ou trocar peças não especificadas neste manual.

### Instruções adicionais de segurança para aparadores de relva

Os símbolos de advertência a seguir encontram-se na ferramenta:



Utilize óculos de segurança durante o funcionamento da ferramenta.



## PORTUGUÊS



Desligada a ferramenta, o fio de nylon continuará a funcionar por alguns segundos. Nunca tente forçar a sua paralisação.



Mantenha as pessoas a uma distância mínima de 6 m da área de corte.



Não exponha a ferramenta à chuva e humidade excessiva.



Desligue-a, remova o plugue da tomada e, antes de trocar, limpar ou inspeccionar qualquer peça da ferramenta, certifique-se de que haja cessado o movimento das peças giratórias.

- ◆ Antes de utilizar a ferramenta, verifique se o percurso de corte está livre de gravetos, pedras, arame e quaisquer outros obstáculos.
- ◆ Utilize a ferramenta apenas na posição correcta, com o fio de nylon próximo ao solo, conforme as ilustrações. Nunca a ligue em qualquer outra posição.
- ◆ Ligue-a apenas com as mãos e pés distantes do fio de nylon.
- ◆ Evite o contacto corporal com o fio de nylon durante o funcionamento.
- ◆ Não trabalhe em declives. Permaneça atento aos seus passos. Lembre-se que relva recém-cortada é húmida e escorregadia.
- ◆ Cuidado ao efectuar aparos próximo a orlas, caminhos com cascalho ou estradas, pois o fio de nylon poderá movimentar pedras e solo.
- ◆ Não coloque a ferramenta em posição horizontal a menos que o fio de nylon esteja completamente parado.
- ◆ Utilize apenas o tipo adequado de fio de nylon da Black & Decker. Nunca utilize fio de metal ou linha de pesca.
- ◆ Cuidado para não se ferir com a lâmina limitadora. Não a toque. Após estender fio de nylon novo, sempre coloque a ferramenta de volta à sua posição normal de funcionamento antes de ligá-la.

- ◆ Cuide para que o cabo de alimentação eléctrica fique longe do fio de corte. Esteja sempre atento ao posicionamento do cabo.

### SEGURANÇA ELÉCTRICA

A ferramenta foi concebida para uma única tensão. Verifique sempre se a tensão da rede corresponde à voltagem indicada na placa de identificação.



Essa ferramenta foi concebida apenas para uso em fontes de alimentação CA. Não tente utilizá-la em outras fontes.



A ferramenta tem duplo isolamento em conformidade com o estipulado na norma EN 60335, não sendo, por isso, necessária uma ligação à terra.

- ◆ Evite o contacto com superfícies aterradas tais como trilhos de metal, postes de iluminação, etc.
- ◆ A segurança eléctrica pode ser melhorada mediante o uso de dispositivos de corrente residual (RCD) de alta sensibilidade (30 mA/30 mS).

### Extensões

Utilize sempre cabo de extensão aprovado e adequado à entrada de força da ferramenta (consulte a placa de identificação). O cabo de extensão deve ser adequado para uso em ambientes externos.

- ◆ Antes do uso, verifique se há sinais de danos, envelhecimento e desgaste no cabo. Substitua-o se estiver danificado ou apresentar defeitos.
- ◆ No caso de se usar uma bobina, desenrole o cabo todo.
- ◆ Cuide para que o cabo de alimentação eléctrica fique longe do fio de corte. Esteja sempre atento ao posicionamento do cabo.

### CONTEÚDO DA CAIXA

A caixa contém:

- 1 Aparador de relva
- 1 Resguardo com parafuso de montagem
- 1 Protector de plantas, inclusive pacote de peças (apenas o modelo GL660P/GL670P)
- 1 Manual de instruções





## PORTUGUÊS

- ◆ Retire todas as peças da embalagem, com cuidado.

### VISÃO GERAL (fig. A)

1. Interruptor
2. Cabo
3. Retentor do cabo
4. Entrada de energia
5. Pega suplementar
6. Botão de ajuste da pega (GL670/GL670P)
7. Anel
8. Ganchos para guardar o cabo
9. Compartimento do motor
10. Pedal (GL670/GL670P)
11. Resguardo
12. Lâmina limitadora do fio de nylon
13. Guia de acerto de orlas
14. Compartimento da bobina
15. Fio de nylon

### MONTAGEM



Antes da montagem, certifique-se de que a ferramenta está desligada da corrente eléctrica.

### Instalação do resguardo (fig. B)

- ◆ Desligue a ferramenta
- ◆ Remova o parafuso (16) do compartimento.
- ◆ Coloque o resguardo (11) na ferramenta, conforme o indicado.
- ◆ Carregue firmemente no resguardo até que ele se encaixe no lugar.
- ◆ Fixe o resguardo com o parafuso (16).



Nunca utilize a ferramenta se o resguardo não estiver bem instalado.

### Soltar o fio de nylon (fig. A)

Durante o transporte, o fio de nylon é fixado ao compartimento da bobina.

- ◆ Remova a fita que segura o fio de nylon (15) ao corpo da bobina (14).

### Encaixe do protector de plantas (fig. C)

O protector de plantas é fornecido com os modelos GL660P & GL670P como acessório standard. No caso de outros modelos, está disponível como acessório opcional.

- ◆ Coloque o protector de plantas (17) sobre o resguardo, conforme o mostrado. Assegure-se de que a orientação esteja correcta.
- ◆ Coloque as duas tampas de plástico (18) no protector de plantas, alinhando as marcas (19) situadas nas mesmas com as existentes no resguardo (11).
- ◆ Fixe as tampas com ajuda dos parafusos (20). Não os aperte demais.



Aguarde até que o fio de nylon esteja parado antes de ajustar o protector de plantas.

### Ligação da ferramenta à energia eléctrica (fig. A)

- ◆ Ligue a ficha fêmea de um cabo de extensão adequado à tomada de alimentação (4).
- ◆ Enrole o cabo no retentor conforme o indicado na fig. O.
- ◆ Ligue a ficha à tomada da parede.



O cabo de extensão deve ser adequado para uso em ambientes externos.

### USO



Deixe que a ferramenta funcione à vontade. Não a sobrecarregue.

### Ajuste da ferramenta no modo de aparar ou acerto de orlas (fig. D, E & F)

É possível utilizar a ferramenta no modo de aparar conforme a fig. D ou no modo de acerto de orlas para aparar excesso de relva ao longo de orlas e canteiros de flores, conforme o mostrado na fig. E.

### Modo de aparar (fig. D & F)

Para aparar, a cabeça do aparador deverá estar na posição demonstrada na fig. D. Caso contrário:

- ◆ Gire o anel de travamento (7) no sentido contrário ao do relógio.



## PORTUGUÊS

- ◆ Gire o corpo do aparador em sentido contrário do relógio até que a cabeça do aparelho esteja na posição de apara.
- ◆ Aperte o anel de travamento girando-o em sentido horário.

### Modo de acerto de orlas (fig. E & F)

Para acertar orlas, a cabeça do aparador deverá estar na posição demonstrada na fig. E. Caso contrário:

- ◆ Gire o anel de travamento (7) no sentido contrário ao do relógio.
- ◆ Gire o corpo do aparador no sentido do relógio até que a cabeça do aparelho esteja na posição de acerto de orlas.
- ◆ Aperte o anel de travamento girando-o em sentido horário.

### GL670/GL670P - Ajuste da posição da pega secundária (fig. A & G)

É possível ajustar a alça secundária para fornecer um óptimo equilíbrio e conforto.

- ◆ Coloque o resguardo (11) no solo.
- ◆ Enquanto carrega no botão da pega (6), mova-a (5) para a posição desejada.
- ◆ Solte o botão da pega.

### GL660/GL660P/GL670/GL670P - Ajuste da altura da ferramenta (fig. A & H)

Esta ferramenta possui corpo telescópico, o que permite um ajuste de altura adequado.

- ◆ Coloque o resguardo (11) no solo.
- ◆ Gire o anel de travamento (7) no sentido contrário ao do relógio.
- ◆ Mova a alça de mudança de posição para cima ou para baixo, para a altura desejada.
- ◆ Aperte o anel de travamento girando-o em sentido horário.

### GL670/GL670P -

#### Ajuste do ângulo da cabeça do aparador (fig. I)

A possibilidade de ajuste do ângulo da cabeça do aparador permite definir o ângulo de apara óptimo independentemente do comprimento. Permite também efectuar a apara debaixo de bancos e arbustos.

- ◆ Coloque o resguardo (11) no solo.

- ◆ Carregue no pedal (10) com o pé e mova o corpo do aparador para cima ou para baixo, conforme a necessidade.
- ◆ Solte o pedal.

### Como ligar e desligar a ferramenta (fig. A)

- ◆ Para ligar a ferramenta, carregue no interruptor (1).
- ◆ Para desligar a ferramenta, solte o interruptor.



Nunca tente travar a chave na posição ligada.

### Sugestões para uma melhor utilização

#### Apara

- ◆ Segure a ferramenta conforme a fig. D.
- ◆ Incline-a com cuidado de um lado para o outro, conforme a fig. D.
- ◆ Ao cortar relva longa, trabalhe em etapas, partindo do topo. Efectue cortes pequenos.
- ◆ Mantenha-a afastada de objectos duros e plantas delicadas.
- ◆ Se a ferramenta começar a funcionar lentamente, reduza a carga.

#### Acerto de orlas

É possível alcançar resultados de corte excelentes em orlas com mais de 50 mm de profundidade.

- ◆ Não utilize a ferramenta para criar orlas. Para tal, utilize uma pá de acerto de orlas.
- ◆ Guie a ferramenta conforme a fig. E. Mantenha a guia contra a orla.
- ◆ Para efectuar um corte mais aproximado, incline levemente a ferramenta.

#### Informações gerais

- ◆ Para obter óptimos resultados, corte apenas relva seca.

#### GL660P/GL670P -

#### Utilização do protector de plantas (fig. J)

O protector de plantas irá ajudá-lo a proteger plantas enquanto apara orlas de gramados.

- ◆ No modo de apara, ajuste o protector de plantas na posição A.





## PORTUGUÊS

- ◆ No modo de acerto de orlas, ajuste o protector de plantas na posição B ou C.
- ◆ Quando não houver plantas por perto da área de corte, ajuste o protector na posição D.

### MANUTENÇÃO

Esta ferramenta Black & Decker foi desenvolvida para funcionar por um longo período, com um mínimo de manutenção. O funcionamento contínuo e satisfatório depende da limpeza regular e cuidado adequado da ferramenta.



Antes de qualquer procedimento de manutenção, desligue a máquina no interruptor e retire a tomada da corrente.

- ◆ Limpe regularmente as fendas de ventilação da ferramenta utilizando uma escova suave ou um pano seco.
- ◆ Limpe regularmente o fio de nylon e a bobina com uma escova macia ou um pano seco.
- ◆ Utilize regularmente uma espátula sem corte para remover relva e sujeira da parte inferior do resguardo.

### Instalação de uma nova bobina de fio de nylon (fig. K & L)

É possível obter bobinas de reposição de fio de nylon com o seu distribuidor Black & Decker (ref. no. A6441). Carretéis completos que contêm uma bobina de fio de nylon estão também disponíveis (nº cat. A6442).

- ◆ Desligue a ferramenta
- ◆ Mantenha as linguetas (21) carregadas e remova a tampa da bobina (22) do compartimento (23) (fig. K).
- ◆ Remova a bobina vazia (24) do alojamento.
- ◆ Remova toda a sujidade e relva da tampa e do compartimento da bobina.
- ◆ Pegue a nova bobina e coloque-a no saliente da tampa. Gire a bobina levemente até que ela esteja encaixada.
- ◆ Solte a extremidade de um dos fios de nylon e guie-o para o interior dos orifícios (25) (fig. L). O fio deverá projectar-se aproximadamente 9 cm da tampa da bobina.

- ◆ Solte a extremidade do outro fio e guie-o para o interior do outro orifício. O fio deverá projectar-se aproximadamente 9 cm da tampa da bobina.
- ◆ Alinhe as linguetas (21) da tampa da bobina com os orifícios (26) do compartimento (fig. K).
- ◆ Carregue na tampa, colocando-a no compartimento até que se encaixe firmemente no local.



Se os fios de nylon ultrapassarem a lâmina de apara (10), corte-os de forma que eles apenas a alcancem.

### Colocação de fio novo numa bobina vazia (fig. M, N & P)

É possível colocar fio de nylon novo numa bobina vazia. Além disso, poderá obter pacotes de reposição de fio de nylon com o seu distribuidor Black & Decker (ref. no. A6440).

- ◆ Remova a bobina vazia da ferramenta conforme descrição acima.
- ◆ Retire completamente o fio de nylon da bobina.
- ◆ Enrole o novo fio na extremidade superior da bobina:
  - Coloque 2 cm de fio numa das ranhuras, na parte superior da bobina, conforme mostrado.
  - Enrole-o na bobina, na direcção da seta. Assegure-se de enrolar o fio cuidadosamente e em camadas. Não o cruze.
  - Quando o fio enrolado atingir as ranhuras (28), corte-o.
  - Deixe o fio temporariamente nas ranhuras (27), num dos lados da bobina conforme o mostrado.
- ◆ Repita o procedimento descrito acima para o segundo fio de nylon, situado na parte inferior da bobina. Deixe o fio nas ranhuras não utilizadas (27).
- ◆ Proceda da forma descrita acima para instalar a bobina na ferramenta. Não esqueça de soltar o fio de nylon das ranhuras (27).



Utilize apenas o tipo adequado de fio de nylon da Black & Decker. Assegure-se de que haja fio de nylon nas duas secções da bobina (Fig. P).



## PORTUGUÊS

### RESOLUÇÃO DE PROBLEMAS

Se a sua ferramenta não estiver a funcionar adequadamente, siga as instruções abaixo.

Se não solucionar o problema, contacte um centro de assistência técnica da Black & Decker.



Antes de continuar, desligue a ferramenta da tomada.

### O aparador está lento

- ◆ Verifique se o compartimento da bobina pode girar livremente. Limpe-o com cuidado, se necessário.
- ◆ Verifique se o fio de nylon não se estende além de 9 cm do compartimento da bobina. Neste caso, corte-o de forma que apenas alcance a lâmina limitadora.

### Alimentação automática de fio não funciona

- ◆ Carregue nas linguetas, segure-as e remova a tampa do compartimento.
- ◆ Puxe o fio de nylon até que ele fique com 9 cm fora do compartimento. Se não houver fio suficiente na bobina, instale uma nova conforme instruções acima.
- ◆ Alinhe as linguetas da tampa da bobina com os orifícios do compartimento.
- ◆ Carregue na tampa, colocando-a no compartimento até que se encaixe firmemente no local.
- ◆ Se o fio ultrapassar a lâmina limitadora, corte-o de forma que apenas a alcance.

Se a alimentação automática de fio ainda não funcionar ou a bobina estiver enroscada, tente as sugestões a seguir:

- ◆ Limpe com cuidado o a tampa e o compartimento da bobina.
- ◆ Remova-a e verifique se a alavanca se move livremente.
- ◆ Remova a bobina, desenrole o fio de nylon e enrole-o novamente de forma ordenada, conforme descrição acima. Recoloque-a conforme instruções.

### FERRAMENTAS INDESEJADAS E O AMBIENTE



Leve a sua ferramenta velha a um centro de assistência técnica Black & Decker onde ela será eliminada de um modo seguro para o ambiente.

### GARANTIA

Se o seu produto se avariar por defeito de montagem ou de material, durante um período de 12 meses após a compra, garantimos a sua substituição sem encargos adicionais, desde que:

- ◆ O produto tenha sido comprado para utilização própria e não para ser alugado.
- ◆ O produto não tenha sido indevidamente usado ou manipulado.
- ◆ Não tenham sido tentadas reparações por pessoas estranhas aos serviços de assistência técnica da Black & Decker.
- ◆ O produto seja enviado a um centro de assistência técnica devidamente acompanhado do comprovativo de compra.

Esta garantia é oferecida como benefício extra e é adicional aos direitos legais do utilizador.

### SERVIÇO PÓS-VENDA

Todas as informações sobre o nosso serviço pós-venda estão disponíveis na Internet em [www.2helpU.com](http://www.2helpU.com). Em alternativa, queira contactar o nosso Serviço a Clientes (consultar a parte de trás do presente manual).

Se o seu produto Black & Decker precisar de reparações o modo mais rápido e mais fácil é levá-lo ou enviá-lo a um centro de assistência técnica Black & Decker, incluindo a prova de compra no caso de ser pedido uma reparação no âmbito da garantia.





## PORTUGUÊS

### OUTRAS FERRAMENTAS PARA JARDIM

A Black & Decker possui uma grande variedade de ferramentas que facilitam o trabalho no jardim.

Se desejar obter mais informações sobre os produtos a seguir mencionados, contacte o nosso Serviço a Clientes (veja a página de endereços no final deste manual) ou contacte o revendedor local da Black & Decker.

Aparadores  
Electrosserras  
Tesoura de relva  
Corta-sebes  
Corta-relvas  
Vassouras para relvado  
Aspiradores de folhas  
Trituradores

Nem todos os produtos estão disponíveis em todos os países.



ΕΛΛΗΝΙΚΑ

## ΜΗΧΑΝΗ ΦΙΝΙΡΙΣΜΑΤΟΣ ΧΟΡΤΟΥ GL650/GL660/GL660P/GL670/GL670P

### ΣΥΓΧΑΡΗΤΗΡΙΑ!


Εχετε επιλέξει ένα εργαλείο της Black & Decker. Στόχος μας είναι να σας προσφέρουμε εργαλεία ποιότητας σε προσιτές τιμές. Ευελπιστούμε ότι θα απολαύσετε τη χρήση αυτού του εργαλείου για πολλά χρόνια.

### ΔΗΛΩΣΗ ΣΥΜΜΟΡΦΩΣΗΣ ΕΚ

**CE** GL650/GL660/GL660P/GL670/GL670P Black & Decker δηλώνει ότι αυτά τα ηλεκτρικά εργαλεία σχεδιάστηκαν σύμφωνα με: 98/37/ΕΟΚ, 89/336/ΕΟΚ, 73/23/ΕΟΚ, EN 60335, EN 55014, EN 61000

Ανώτατο όριο ηχητικής πίεσης, μέτρηση κατά 84/538/ΕΟΚ:

		GL650	GL660	GL670
$L_{pA}$ (ηχητική πίεση)	dB(A)	83	83	83
$L_{WA}$ (ακουστική δύναμη)	dB(A)	96	96	96

 Λάβετε τα ενδεδειγμένα μέτρα προστασίας σε περίπτωση που η ακουστική πίεση υπερβαίνει τα 85 dB(A).

Ο σταθμισμένος τετραγωνικός μέσος όρος επιτάχυνσης κατά 98/37/ΕΟΚ:

GL650	GL660	GL660P	GL670	GL670P
< 2,5 m/s <sup>2</sup>	< 2,5 m/s <sup>2</sup>	< 2,5 m/s <sup>2</sup>	< 2,5 m/s <sup>2</sup>	< 2,5 m/s <sup>2</sup>



Brian Cooke  
Διευθυντής μηχανολογίας  
Spennymoor, County Durham DL16 6JG,  
United Kingdom

### ΕΝΔΕΔΕΙΓΜΕΝΗ ΧΡΗΣΗ

Η μηχανή φινιρίσματος χόρτου GL650/GL660/GL660P/GL670/GL670P της Black & Decker έχει σχεδιαστεί για το φινίρισμα χόρτου και άκρων (μπορντούρα), καθώς και για την κοπή χόρτου σε περιορισμένους χώρους.

Αυτό το εργαλείο για τον κήπο προορίζεται μόνο για ερασιτεχνική χρήση.

### ΟΔΗΓΙΕΣ ΑΣΦΑΛΕΙΑΣ

#### Σύμβολα ασφαλείας

Στις παρούσες οδηγίες χρησιμοποιούνται τα ακόλουθα σύμβολα:



Συμβολίζει κίνδυνο τραυματισμού ή θανάτου ή βλάβης του εργαλείου σε περίπτωση που δεν τηρηθούν οι οδηγίες χρήσεως.



Συμβολίζει ηλεκτρική τάση.



Πριν χρησιμοποιήσετε το εργαλείο διαβάστε το παρόν εγχειρίδιο προσεκτικά.

#### Γνωρίζετε το εργαλείο



- ♦ **Προσοχή!** Κατά τη χρήση εργαλείων που τροφοδοτούνται με ηλεκτρικό ρεύμα, θα πρέπει πάντα να λαμβάνονται οι βασικές προφυλάξεις ασφαλείας, για τον περιορισμό του κινδύνου πυρκαγιάς, ηλεκτροπληξίας και σωματικών βλαβών.
- ♦ Πριν χρησιμοποιήσετε το εργαλείο διαβάστε προσεκτικά τις παρακάτω οδηγίες.
- ♦ Πριν χρησιμοποιήσετε το εργαλείο αυτό, βεβαιωθείτε ότι γνωρίζετε πώς να σβήσετε το εργαλείο σε περίπτωση έκτακτης ανάγκης.





## ΕΛΛΗΝΙΚΑ

- ◆ Η ενδεδειγμένη χρησιμοποίηση αναφέρεται σε αυτές τις οδηγίες χρήσεως. Τόσο η χρήση εξαρτημάτων ή προσηκόν όσο και η πραγματοποίηση εργασιών που δεν συνιστώνται στις οδηγίες αυτές εγκυμονεί κίνδυνο τραυματισμού.
- ◆ φυλάξτε τις οδηγίες καλά.

### **Χώρος εργασίας**

- ◆ Μην εκθέτετε ηλεκτρικά εργαλεία σε υγρασία.
- ◆ Χρησιμοποιείτε το εργαλείο μόνο στο φως της ημέρας ή σε καλό τεχνητό φως.

### **Ατομική προστασία**

- ◆ Φορέστε χοντρά υποδήματα ή μπότες, για να προστατέψετε τα πόδια σας. Μη χειρίζεστε το εργαλείο φορώντας ανοιχτές μπροστά σαγιονάρες ή ξυπόλητοι.
- ◆ Φορέστε μακριά παντελόνια για να προστατέψετε τα πόδια σας.

### **Χρήση του εργαλείου σας**

- ◆ Όταν βάζετε την πρίζα, βεβαιωθείτε ότι ο διακόπτης του εργαλείου είναι κλειστός.
- ◆ Να είστε πάντα προσεκτικοί. Παρακολουθείτε την εργασία σας. Ενεργείτε λογικά.
- ◆ Μη χρησιμοποιείτε το εργαλείο όταν είστε κουρασμένος.
- ◆ Εάν το εργαλείο ξεκινήσει να κραδάζεται αφύσικα, σβήστε το και αφαιρέστε το φως από την πρίζα. Περιμένετε να σταματήσει η περιστροφή των κινητών μερών και επιθεωρήστε το εργαλείο για τυχόν ζημιές ή χαλαρωμένα εξαρτήματα.
- ◆ Ποτέ μην αποσυνδέετε τη συσκευή από την πρίζα τραβώντας το καλώδιό της. Φροντίστε το καλώδιο να παραμένει μακριά από τη θερμότητα, τα λάδια και από αιχμηρές ακμές.
- ◆ Εάν το καλώδιο τροφοδοσίας πάθει ζημιά κατά τη διάρκεια της χρήσης, σβήστε το εργαλείο και αφαιρέστε το φως από την πρίζα αμέσως. **Μην αγγίζετε το καλώδιο τροφοδοσίας πριν αφαιρέσετε το φως από την πρίζα.**

### **Ασφάλεια τρίτων**

- ◆ Μην επιτρέπετε σε μικρά παιδιά ή σε άτομα που δεν έχουν διαβάσει το εγχειρίδιο οδηγιών ή που δεν έχουν εξοικειωθεί με το εργαλείο να το χειριστούν.
- ◆ Μην επιτρέπετε σε παιδιά, επισκέπτες ή ζώα να πλησιάζουν στο χώρο εργασίας ή να αγγίζουν το εργαλείο ή το καλώδιο τροφοδοσίας.
- ◆ Να έχετε υπόψη σας η ευθύνη για ατυχήματα ή κινδύνους για τρίτους ή την περιουσία τρίτων μπορεί να καταλογιστεί στο χειριστή.

### **Μετά τη χρήση**

- ◆ Σβήστε το εργαλείο, αφαιρέστε το φως από την πρίζα και βεβαιωθείτε ότι σταμάτησε η περιστροφή των κινητών μερών πριν αφήσετε το εργαλείο χωρίς χειριστή και πριν αλλάξετε, καθαρίσετε ή επιθεωρήσετε οποιαδήποτε τμήματα του εργαλείου.
- ◆ Όταν δεν χρησιμοποιείται, το εργαλείο πρέπει να φυλάσσεται σε ξηρό χώρο. Τα παιδιά δεν πρέπει να έχουν πρόσβαση σε αποθηκευμένα εργαλεία.

### **Επιθεώρηση και επισκευές**

- ◆ Πριν από τη χρήση, ελέγξτε προσεκτικά το εργαλείο για κατεστραμμένα ή ελαττωματικά μέρη. Ελέγξτε για τυχόν κακή ευθυγράμμιση και εμπλοκή των κινούμενων μερών, για μέρη που έχουν σπάσει, για τυχόν ζημιές στους προφυλακτήρες και τους διακόπτες, και γενικά κάθε είδους συνθήκες οι οποίες ενδέχεται να επηρεάσουν τη λειτουργία του εργαλείου.
- ◆ Μη χρησιμοποιείτε το εργαλείο αν κάποιο εξάρτημά του παρουσιάζει ελάττωμα. Μη χρησιμοποιείτε το εργαλείο, εάν ο διακόπτης δεν μπορεί να το θέσει εντός ή εκτός λειτουργίας.
- ◆ Ποτέ μη χρησιμοποιείτε το εργαλείο όταν οποιοσδήποτε προφυλακτήρας ή περιβλήμα έχει καταστραφεί ή δεν είναι στη θέση του.
- ◆ Βεβαιωθείτε ότι το εργαλείο λειτουργεί κανονικά και χρησιμοποιείται για τον σκοπό για τον οποίο προορίζεται.



## ΕΛΛΗΝΙΚΑ

- ♦ Φροντίστε για την επισκευή ή αντικατάσταση τυχόν ελαττωματικών εξαρτημάτων από εξουσιοδοτημένο κέντρο επισκευών.
- ♦ Πριν από τη χρήση, ελέγξτε προσεκτικά το καλώδιο τροφοδοσίας για σημάδια ζημιάς, παλαίωσης και φθοράς.
- ♦ Μη χρησιμοποιείτε το εργαλείο αν το καλώδιο τροφοδοσίας του έχει πάθει ζημιά ή παρουσιάζει ελάττωμα.
- ♦ Εάν το καλώδιο τροφοδοσίας είναι κατεστραμμένο, πρέπει να αντικατασταθεί από εξουσιοδοτημένο κέντρο επισκευής, ώστε να μην προκύψει κίνδυνος.
- ♦ Ποτέ μην επιχειρείτε να αφαιρέσετε ή να αντικαταστήσετε εξαρτήματα άλλα από αυτά που προσδιορίζονται σε αυτό το εγχειρίδιο.

### Πρόσθετες οδηγίες ασφαλείας για μηχανές φινιρίσματος χόρτου

Πάνω στο εργαλείο υπάρχουν τα ακόλουθα προειδοποιητικά σύμβολα:



Κατά τη χρήση αυτού του εργαλείου, να φοράτε προστατευτικά γυαλιά.



Το νήμα κοπής θα συνεχίσει να κινείται για μερικά δευτερόλεπτα μετά από το σβήσιμο του εργαλείου. Ποτέ μην επιχειρήσετε να φρενάρτε βεβαιωμένα το νήμα.



Φροντίστε τα άλλα άτομα καθώς και ζώα να βρίσκονται σε απόσταση τουλάχιστον 6 m από την περιοχή κοπής.



Μην αφήνετε το εργαλείο στη βροχή ή σε έντονη υγρασία.



Σβήστε το εργαλείο, αφαιρέστε το φινιρίσματος από την πρίζα και βεβαιωθείτε ότι σταμάτησε η περιστροφή των κινητών μερών πριν αφήσετε το εργαλείο χωρίς χειριστή και πριν αλλάξετε, καθαρίσετε ή επιθεωρήσετε οποιαδήποτε τμήματα του εργαλείου.

- ♦ Πριν χρησιμοποιήσετε το εργαλείο, βεβαιωθείτε ότι στη διαδρομή κοπής σας δεν υπάρχουν κλαδιά, πέτρες, σύρματα ή οποιοδήποτε άλλο εμπόδιο.
- ♦ Χρησιμοποιείτε το εργαλείο μόνο στη σωστή θέση, με το νήμα κοπής κοντά στο έδαφος, όπως απεικονίζεται. Ποτέ μην ανάβετε το εργαλείο αν βρίσκεται σε οποιαδήποτε άλλη θέση.
- ♦ Ανάψτε το εργαλείο μόνο όταν τα χέρια και τα πόδια βρίσκονται μακριά από το νήμα κοπής.
- ♦ Αποφύγετε τη σωματική επαφή με το νήμα κοπής όταν το εργαλείο είναι σε λειτουργία.
- ♦ Μην εργάζεστε σε έδαφος με απότομες κλίσεις. Βεβαιωθείτε ότι πατάτε καλά και σταθερά. Να έχετε υπόψη σας ότι το φρεσκοκομμένο χόρτο είναι υγρό και γλιστερό.
- ♦ Προσέχετε όταν κάνετε φινιρίσμα κοντά σε όρια και σε μονοπάτια ή δρόμους με χαλίκι, αφού το νήμα κοπής μπορεί να παρασύρει πέτρες και χώμα.
- ♦ Μην αφήνετε το εργαλείο στο έδαφος παρά μόνο εφόσον το νήμα κοπής έχει ακινητοποιηθεί εντελώς.
- ♦ Χρησιμοποιείτε μόνο νήμα κοπής κατάλληλου τύπου της Black & Decker. Ποτέ μη χρησιμοποιείτε μεταλλικό νήμα κοπής ή πετονιά.
- ♦ Προσέχετε να μην τραυματιστείτε από τη λεπίδα αποκοπής νήματος. Μην αγγίζετε τη λεπίδα. Αφού κάνετε προώθηση του νήματος κοπής, επιστρέψτε πάντα το εργαλείο στην κανονική του θέση λειτουργίας πριν το ανάψετε.
- ♦ Φροντίστε να διατηρείτε το καλώδιο τροφοδοσίας μακριά από το νήμα κοπής. Προσέχετε πάντα τη θέση του καλωδίου.

### ΗΛΕΚΤΡΙΚΗ ΑΣΦΑΛΕΙΑ

Το εργαλείο είναι σχεδιασμένο να λειτουργεί σε μία και μόνο τάση. Ελέγχετε πάντοτε αν η τάση τροφοδοσίας αντιστοιχεί σε αυτήν που αναγράφεται στην πινακίδα στοιχείων του εργαλείου.





## ΕΛΛΗΝΙΚΑ



Αυτό το εργαλείο έχει σχεδιαστεί για χρήση μόνο με ηλεκτρική τροφοδοσία με εναλλασσόμενο ρεύμα (ρεύμα του δικτύου). Μην επιχειρείτε να το χρησιμοποιήσετε με διαφορετική ηλεκτρική τροφοδοσία.



Το εργαλείο σας φέρει διπλή μόνωση κατά EN 60335. Κατά συνέπεια δε χρειάζεται καλώδιο γείωσης.

- ♦ Αποφύγετε τη σωματική επαφή με γειωμένες ή συνδεδεμένες με το έδαφος επιφάνειες (π.χ. μεταλλικά κιγκλιδώματα, λάμπες κ.λπ.).
- ♦ Η ηλεκτρική ασφάλεια μπορεί να βελτιωθεί αν χρησιμοποιηθεί συσκευή παραμένοντος ρεύματος (RCD) υψηλής ευαισθησίας (30 mA/30 mS).

### Χρήση καλωδίου επέκτασης

Χρησιμοποιείτε πάντα εγκεκριμένο καλώδιο επέκτασης για την ηλεκτρική τροφοδοσία αυτού του εργαλείου (δείτε την πινακίδα στοιχείων του εργαλείου). Το καλώδιο επέκτασης πρέπει να είναι κατάλληλο για χρήση σε εξωτερικό χώρο.

- ♦ Πριν από τη χρήση, επιθεωρήστε προσεκτικά το καλώδιο για σημάδια ζημιάς, φθοράς και παλαιώσης. Αντικαταστήστε το καλώδιο επέκτασης αν είναι κατεστραμμένο ή ελαττωματικό.
- ♦ Όταν χρησιμοποιείτε καρούλι καλωδίου, πάντα ξετυλίγετε τελείως το καλώδιο.
- ♦ Φροντίστε να διατηρείτε το καλώδιο τροφοδοσίας μακριά από το νήμα κοπής. Προσέχετε πάντα τη θέση του καλωδίου.

### ΠΕΡΙΕΧΟΜΕΝΑ ΣΥΣΚΕΥΑΣΙΑΣ

Η συσκευασία περιέχει:

- 1 Μηχανή φινιρίσματος χόρτου
- 1 Προφυλακτήρας με βίδα στήριξης
- 1 Σύστημα προστασίας φυτών με πακέτο εξαρτημάτων (μόνο στο GL660P/GL670P)
- 1 Οδηγίες χρήσης

- ♦ Αφαιρέστε προσεκτικά από τη συσκευασία όλα τα κομμάτια.

### ΓΕΝΙΚΗ ΠΕΡΙΓΡΑΦΗ (εικ. Α)

1. Διακόπτης on/off
2. Λαβή
3. Σύστημα συγκράτησης καλωδίου
4. Υποδοχή καλωδίου τροφοδοσίας
5. Βοηθητική λαβή
6. Κουμπί λαβής (GL670/GL670P)
7. Περιλαίμιο
8. Αγκιστρα φύλαξης καλωδίου
9. Περίβλημα μοτέρ
10. Πεντάλ (GL670/GL670P)
11. Προφυλακτήρας
12. Λεπίδα αποκοπής νήματος
13. Οδηγός μπορντούρας
14. Περίβλημα πομπίνας
15. Νήμα κοπής

### ΣΥΝΑΡΜΟΛΟΓΗΣΗ



Πριν από τη συναρμολόγηση, βεβαιωθείτε ότι το εργαλείο είναι σβηστό και ότι το φως του δεν είναι στην πρίζα.

### Τοποθέτηση του προφυλακτήρα (εικ. Β)

- ♦ Βγάλτε το εργαλείο από την πρίζα.
- ♦ Αφαιρέστε τη βίδα (16) από το περίβλημα.
- ♦ Τοποθετήστε τον προφυλακτήρα (11) στο εργαλείο, όπως φαίνεται στην εικόνα.
- ♦ Πιέστε καλά τον προφυλακτήρα μέχρι να κουμπώσει στη θέση του.
- ♦ Στερεώστε τον προφυλακτήρα με τη βίδα (16).



Ποτέ μη χρησιμοποιείτε το εργαλείο αν ο προφυλακτήρας δεν είναι σωστά τοποθετημένος στη θέση του.

### Απελευθέρωση του νήματος κοπής (εικ. Α)

Κατά τη μεταφορά, το νήμα κοπής στερεώνεται με κολλητική ταινία στο περίβλημα της πομπίνας.

- ♦ Αφαιρέστε την κολλητική ταινία που κρατά σταθερό το νήμα κοπής (15) στο περίβλημα της πομπίνας (14).



## ΕΛΛΗΝΙΚΑ

### **Τοποθέτηση του συστήματος προστασίας φυτών (εικ. C)**

Το σύστημα προστασίας φυτών παρέχεται ως βασικός εξοπλισμός των GL660P και GL670P. Για τα άλλα μοντέλα, διατίθεται ως προαιρετικό εξάρτημα.

- ♦ Τοποθετήστε το σύστημα προστασίας φυτών (17) επάνω από τον προφυλακτήρα, όπως φαίνεται στην εικόνα. Βεβαιωθείτε ότι ο προσανατολισμός είναι σωστός.
- ♦ Τοποθετήστε τις δύο πλαστικές τάπες (18) στο σύστημα προστασίας φυτών, ευθυγραμμίζοντας τα σημάδια (19) στις τάπες με αυτά στον προφυλακτήρα (11).
- ♦ Ασφαλίστε τις τάπες με τις βίδες (20). Μη σφίγγετε υπερβολικά τις βίδες.



Για να ρυθμίσετε το σύστημα προστασίας φυτών, περιμένετε να ακινητοποιηθεί το νήμα κοπής.

### **Σύνδεση του εργαλείου στο ρεύμα (εικ. A)**

- ♦ Συνδέστε το θηλυκό φινις ενός κατάλληλου καλωδίου επέκτασης στην υποδοχή καλωδίου τροφοδοσίας (4).
- ♦ Περάστε το καλώδιο μία βόλτα μέσα από το σύστημα συγκράτησης καλωδίου, όπως φαίνεται στην εικόνα O.
- ♦ Συνδέστε το φινις σε μια πρίζα ηλεκτρικού.



Το καλώδιο επέκτασης πρέπει να είναι κατάλληλο για χρήση σε εξωτερικό χώρο.

### **ΧΡΗΣΗ**



Αφήστε το εργαλείο να λειτουργήσει στο δικό του ρυθμό και μην το υπερφορτώνετε.

### **Ρύθμιση του εργαλείου σε λειτουργία φινιρίσματος χόρτου ή άκρων (μπορντούρα) (εικ. D, E & F)**

Το εργαλείο μπορεί να χρησιμοποιηθεί σε λειτουργία φινιρίσματος χόρτου όπως απεικονίζεται στην εικ. D ή σε λειτουργία φινιρίσματος άκρων, για το κόψιμο του προεξέχοντος χόρτου κατά μήκος του χλοοτάπητα, όπως απεικονίζεται στην εικ. E.

### **Λειτουργία φινιρίσματος χόρτου (εικ. D & F)**

Για τη λειτουργία φινιρίσματος χόρτου, η κεφαλή φινιρίσματος πρέπει να βρίσκεται στη θέση η οποία απεικονίζεται στην εικ. D. Αν δεν βρίσκεται σε αυτή τη θέση, ρυθμίστε την ως ακολούθως:

- ♦ Στρέψτε το περιλαίμιο (7) δεξιόστροφα.
- ♦ Περιστρέψτε το σώμα της μηχανής φινιρίσματος αριστερόστροφα έως ότου η κεφαλή της να βρεθεί στη θέση φινιρίσματος χόρτου.
- ♦ Σφίξτε το περιλαίμιο, στρέφοντάς το δεξιόστροφα.

### **Λειτουργία φινιρίσματος άκρων (εικ. E & F)**

Για τη λειτουργία φινιρίσματος άκρων, η κεφαλή φινιρίσματος πρέπει να βρίσκεται στη θέση η οποία απεικονίζεται στην εικ. E. Αν δεν βρίσκεται στη θέση αυτή, ρυθμίστε την ως ακολούθως:

- ♦ Στρέψτε το περιλαίμιο (7) δεξιόστροφα.
- ♦ Περιστρέψτε το σώμα της μηχανής φινιρίσματος δεξιόστροφα έως ότου η κεφαλή της να βρεθεί στη θέση φινιρίσματος άκρων.
- ♦ Σφίξτε το περιλαίμιο, στρέφοντάς το δεξιόστροφα.

### **GL670/GL670P - Ρύθμιση της θέσης της βοηθητικής λαβής (εικ. A & G)**

Η βοηθητική λαβή μπορεί να ρυθμιστεί, προκειμένου να προσφέρει το καλύτερο δυνατό ζυγισμό και ξεκούραστη εργασία.

- ♦ Αφήστε τον προφυλακτήρα (11) να ακουμπήσει στο έδαφος.
- ♦ Ενώ κρατάτε το κουμπί της λαβής (6) πατημένο, μετακινήστε τη λαβή (5) σε όποια θέση θέλετε.
- ♦ Αφήστε το κουμπί της λαβής.

### **GL660/GL660P/GL670/GL670P -**

### **Προσαρμογή ύψους του εργαλείου (εικ. A & H)**

Αυτό το εργαλείο έχει τηλεσκοπικό κορμό, με τον οποίο μπορείτε να προσαρμόσετε το ύψος του ώστε να σας βολεύει καλύτερα.

- ♦ Αφήστε τον προφυλακτήρα (11) να ακουμπήσει στο έδαφος.
- ♦ Στρέψτε το περιλαίμιο (7) δεξιόστροφα.
- ♦ Μετακινήστε τη λαβή-διακόπτη επάνω ή κάτω, μέχρι το ύψος που θέλετε.





## ΕΛΛΗΝΙΚΑ

- ◆ Σφίξτε το περιλαίμιο, στρέφοντάς το δεξιόστροφα.

### **GL670/GL670P - Ρύθμιση της γωνίας της κεφαλής φινιρίσματος (εικ. I)**

Με τη ρυθμιζόμενη γωνία της κεφαλής φινιρίσματος μπορείτε να ρυθμίσετε τη βέλτιστη γωνία φινιρίσματος, ανεξάρτητα του μήκους. Μπορείτε επίσης να κάνετε φινίρισμα κάτω από πάγκους και θάμνους.

- ◆ Αφήστε τον προφυλακτήρα (11) να ακουμπήσει στο έδαφος.
- ◆ Κρατώντας το πεντάλ (10) πατημένο με το πόδι σας, μετακινήστε τη λαβή-διακόπτη επάνω ή κάτω, στο σημείο που θέλετε.
- ◆ Αφήστε το πεντάλ.

### **Θέση εντός και εκτός λειτουργίας (εικ. A)**

- ◆ Για να θέσετε σε λειτουργία το εργαλείο, πατήστε το διακόπτη on/off (1).
- ◆ Για να σβήσετε το εργαλείο, αφήστε το διακόπτη on/off.



Ποτέ μην επιχειρήσετε να ασφαλίσετε ένα διακόπτη σε θέση λειτουργίας (on).

### **Συμβουλές για άριστη χρήση**

#### **Φινίρισμα χόρτου**

- ◆ Κρατήστε το εργαλείο όπως απεικονίζεται στην εικ. D.
- ◆ Εργαστείτε κινώντας τη μηχανή φινιρίσματος χόρτου από τη μία πλευρά στην άλλη, όπως απεικονίζεται στην εικ. D.
- ◆ Κατά την κοπή χόρτου μεγάλου ύψους, εργαστείτε σε πολλά διαδοχικά περάσματα ξεκινώντας από την κορυφή. Κόβετε λίγο χόρτο κάθε φορά.
- ◆ Φροντίστε το εργαλείο να παραμένει μακριά από σκληρά αντικείμενα και από ευαίσθητα φυτά.
- ◆ Αν το εργαλείο αρχίσει να ζορίζεται και να κινείται με μικρή ταχύτητα, ελαττώστε το φορτίο του.

#### **Φινίρισμα άκρων (μπορντούρα)**

Το καλύτερο αποτέλεσμα κοπής επιτυγχάνεται όταν το βάθος της μπορντούρας είναι μεγαλύτερο από 50 mm.

- ◆ Μη χρησιμοποιείτε το εργαλείο για τη δημιουργία μπορντούρας. Για να δημιουργήσετε μπορντούρα, χρησιμοποιήστε το εργαλείο δημιουργίας μπορντούρας.
- ◆ Οδηγήστε το εργαλείο όπως απεικονίζεται στην εικ. E. Φροντίστε ο οδηγός μπορντούρας να βρίσκεται αντικριστά με το άκρο του χόρτου.
- ◆ Για να διαμορφώσετε λίγο πιο βαθιά κοπή, γείρετε ελαφρά το εργαλείο.

#### **Γενικά**

- ◆ Για να πετύχετε το καλύτερο δυνατό αποτέλεσμα κοπής, κόβετε το χόρτο μόνο όταν είναι στεγνό.

#### **GL660P/GL670P - Χρήση του συστήματος προστασίας φυτών (εικ. J)**

Το σύστημα προστασίας φυτών σας βοηθά να προστατεύετε τα φυτά ενώ κάνετε φινίρισμα ακραία σημεία που είναι φυτεμένα με χόρτο.

- ◆ Στη λειτουργία φινιρίσματος χόρτου, βάλτε το σύστημα προστασίας φυτών στη θέση A.
- ◆ Στη λειτουργία φινιρίσματος άκρων, βάλτε το σύστημα προστασίας φυτών στη θέση B ή C.
- ◆ Όταν δεν υπάρχουν φυτά κοντά στην περιοχή όπου γίνεται κοπή, βάλτε το σύστημα προστασίας φυτών στη θέση D.

#### **ΣΥΝΤΗΡΗΣΗ**

Αυτό το εργαλείο της Black & Decker έχει σχεδιαστεί έτσι ώστε να λειτουργεί για μεγάλο χρονικό διάστημα με την ελάχιστη δυνατή φροντίδα. Η αδιάλειπτη και κανονική λειτουργία του εξαρτάται από τη φροντίδα του εργαλείου και τον τακτικό καθαρισμό του.



Πριν από την εκτέλεση εργασιών συντήρησης στο εργαλείο, θα πρέπει να το σβήσετε και να το βγάλετε από την πρίζα.



## ΕΛΛΗΝΙΚΑ

- ◆ Καθαρίζετε τακτικά τις οπές εξαερισμού στο εργαλείο σας με μια βούρτσα με μαλακές τρίχες ή με ένα στεγνό πανί.
- ◆ Καθαρίζετε τακτικά το νήμα κοπής και την πομπίνα, χρησιμοποιώντας μαλακή βούρτσα ή στεγνό πανί.
- ◆ Χρησιμοποιείτε τακτικά μια ξύστρα, όχι κοφτερή, για να αφαιρέσετε το χόρτο και τις ακαθαρσίες από το κάτω μέρος του προφυλακτήρα.

### **Τοποθέτηση μιας νέας πομπίνας νήματος κοπής (εικ. K & L)**

Ο αντιπρόσωπός σας της Black & Decker διαθέτει ανταλλακτικές πομπίνες νήματος κοπής (κωδικός A6441). Υπάρχουν επίσης διαθέσιμες πλήρεις κασέτες που περιέχουν μια πομπίνα νήματος κοπής (κωδικός A6442).

- ◆ Βγάλτε το εργαλείο από την πρίζα.
- ◆ Κρατήστε τα αυτάκια (21) πατημένα και αφαιρέστε το κάλυμμα της πομπίνας (22) από το περίβλημα (23) (εικ. K).
- ◆ Αφαιρέστε την άδεια πομπίνα (24) από το κάλυμμα της πομπίνας.
- ◆ Αφαιρέστε από το κάλυμμα και το περίβλημα της πομπίνας τυχόν υπολείμματα ακαθαρσιών και χόρτου.
- ◆ Πιάστε τη νέα πομπίνα και σπρώξτε την επάνω στην υποδοχή στο κάλυμμα της πομπίνας. Περιστρέψτε λίγο την πομπίνα μέχρι να πάει στη σωστή θέση.
- ◆ Ξεκουμπώστε το άκρο ενός από τα νήματα κοπής και οδηγήστε το να περάσει μέσα σε ένα από τα μάτια (25) (εικ. L). Το νήμα πρέπει να προεξέχει περίπου 9 εκ. από το κάλυμμα της πομπίνας.
- ◆ Ξεκουμπώστε το άκρο του άλλου νήματος κοπής και οδηγήστε το νήμα να περάσει μέσα στο άλλο μάτι. Το νήμα πρέπει να προεξέχει περίπου 9 εκ. από το κάλυμμα της πομπίνας.
- ◆ Ευθυγραμμίστε τα αυτάκια (21) στο κάλυμμα της πομπίνας με τις οπές (26) που υπάρχουν στο περίβλημα (εικ. K).
- ◆ Σπρώξτε το κάλυμμα πάνω στο περίβλημα μέχρι να κουμπώσει κανονικά στη θέση του.



Εάν τα νήματα κοπής εξέλθουν από τη λεπίδα αποκοπής νήματος (12), κόψτε τα προκειμένου να φτάνουν ακριβώς στη λεπίδα.

### **Τύλιγμα νέου νήματος σε άδεια πομπίνα (εικ. M, N & P)**

Μπορείτε να τυλίξετε νέο νήμα κοπής σε άδεια πομπίνα. Ο αντιπρόσωπός σας της Black & Decker διαθέτει ανταλλακτικά πακέτα νήματος κοπής (κωδικός A6440).

- ◆ Αφαιρέστε την άδεια πομπίνα από το εργαλείο όπως περιγράφεται παραπάνω.
- ◆ Αφαιρέστε τυχόν νήμα κοπής το οποίο έχει παραμείνει στην πομπίνα.
- ◆ Ξεκινήστε τυλίγοντας το νέο νήμα στο επάνω τμήμα της πομπίνας:
  - Τροφοδοτήστε 2 εκ. νήματος κοπής σε μία από τις σχισμές στο επάνω τμήμα της πομπίνας, όπως απεικονίζεται.
  - Τυλίξτε το νήμα κοπής στην πομπίνα προς την κατεύθυνση του βέλους. Φροντίστε το τύλιγμα του νήματος να γίνει ομαλά και σε ομοιόμορφα στρώματα. Μην τυλίγετε χιαστί.
  - Όταν το τυλιγμένο νήμα κοπής φτάσει στις εσοχές (28), κόψτε το νήμα.
  - Στερεώστε προσωρινά το νήμα στις σχισμές (27) στο πλάι της πομπίνας, όπως απεικονίζεται.
- ◆ Επαναλάβετε την παραπάνω διαδικασία για το δεύτερο νήμα κοπής στο κάτω τμήμα της πομπίνας. Στερεώστε το νήμα στις σχισμές που δεν χρησιμοποιούνται (27).
- ◆ Τοποθετήστε την πομπίνα στο εργαλείο, σύμφωνα με τις οδηγίες που παρατίθενται παραπάνω. Μην παραλείψετε να ελευθερώσετε το νήμα κοπής από τις σχισμές στερέωσης (27).



Χρησιμοποιείτε μόνο νήμα κοπής κατάλληλου τύπου της Black & Decker. Βεβαιωθείτε ότι υπάρχει νήμα κοπής και στα δύο τμήματα της πομπίνας (εικ. P).





## ΕΛΛΗΝΙΚΑ

### ΕΝΤΟΠΙΣΜΟΣ ΚΑΙ ΑΠΟΚΑΤΑΣΤΑΣΗ ΠΡΟΒΛΗΜΑΤΩΝ

Αν το εργαλείο δείχνει να μη λειτουργεί κανονικά, ενεργήστε σύμφωνα με τις οδηγίες που ακολουθούν. Αν, παρ' όλα αυτά, το πρόβλημά σας δεν λυθεί, παρακαλούμε επικοινωνήστε με το εξουσιοδοτημένο σέρβις της Black & Decker της περιοχής σας.



Πριν συνεχίσετε, βγάλτε το εργαλείο από την πρίζα.

#### Το εργαλείο λειτουργεί σε χαμηλή ταχύτητα

- ♦ Ελέγξτε αν το περίβλημα της πομπίνας περιστρέφεται ελεύθερα. Καθαρίστε το προσεκτικά, αν χρειάζεται.
- ♦ Βεβαιωθείτε ότι το νήμα κοπής δεν εξέχει περισσότερο από 10-12 εκ. από το περίβλημα της πομπίνας. Αν το μήκος που εξέχει είναι μεγαλύτερο, κόψτε το ώστε μόλις να φτάνει τη λεπίδα αποκοπής νήματος.

#### Δε λειτουργεί η αυτόματη τροφοδοσία νήματος

- ♦ Κρατήστε τα αυτάκια πατημένα και αφαιρέστε το κάλυμμα της πομπίνας από το περίβλημα.
- ♦ Τραβήξτε το νήμα κοπής, έως ότου προεξέχει 9 εκ. από το περίβλημα. Αν το τμήμα που έχει μείνει πάνω στην πομπίνα δεν είναι επαρκές, τοποθετήστε νέα πομπίνα νήματος κοπής σύμφωνα με τις οδηγίες που παρατίθενται παραπάνω.
- ♦ Ευθυγραμμίστε τα αυτάκια στο κάλυμμα της πομπίνας με τις οπές που υπάρχουν στο περίβλημα.
- ♦ Σπρώξτε το κάλυμμα πάνω στο περίβλημα μέχρι να κουμπώσει κανονικά στη θέση του.
- ♦ Αν το νήμα κοπής εξέχει πέρα από τη λεπίδα αποκοπής νήματος, κόψτε το έτσι ώστε μόλις να φτάνει στη λεπίδα.

Αν η αυτόματη τροφοδοσία νήματος εξακολουθεί να μην λειτουργεί ή η πομπίνα έχει μπλοκάρει, ακολουθήστε τις παρακάτω ενέργειες:

- ♦ Καθαρίστε προσεκτικά το κάλυμμα και το περίβλημα της πομπίνας.
- ♦ Αφαιρέστε την πομπίνα και ελέγξτε αν ο μοχλός μπορεί να κινηθεί ελεύθερα.

- ♦ Αφαιρέστε την πομπίνα και ξετυλίξτε το νήμα κοπής, και στη συνέχεια τυλίξτε το προσεκτικά και πάλι, σύμφωνα με την παραπάνω περιγραφή. Αντικαταστήστε την πομπίνα σύμφωνα με τις οδηγίες.

### ΔΙΑΘΕΣΗ ΕΡΓΑΛΕΙΩΝ ΚΑΙ ΕΡΙΒΑΛΛΟΝ



Παραδώστε το εργαλείο σας σε ένα εξουσιοδοτημένο σταθμό συντήρησης. Οι τεχνικοί του θα μεριμνήσουν για την διάθεσή του κατά τρόπο που δεν βλάπτει το περιβάλλον.

### ΕΓΓΥΗΣΗ

Όλα τα προϊόντα κήπου της Black & Decker έχουν εγγύηση ενός έτους, η οποία καλύπτει όλα τα εξαρτήματα και τον κινητήρα καθώς και τα εργατικά. Εάν το εργαλείο της Black & Decker αποβεί ελαττωματικό λόγω ελαττωματικών υλικών ή εργασίας εντός 12 μηνών από την ημερομηνία αγοράς, εγγυόμαστε να αντικαταστήσουμε δωρεάν όλα τα ελαττωματικά μέρη, δεδομένου ότι:

- ♦ Το εργαλείο επιστραφεί στο κέντρο σέρβις της Black & Decker με απόδειξη της ημερομηνία αγοράς.
- ♦ Το εργαλείο έχει αγοραστεί για να χρησιμοποιείται από τον χρήστη και όχι για σκοπούς ενοικίασης.
- ♦ Το εργαλείο δεν έχει χρησιμοποιηθεί αντικανονικά ή χειριστεί απρόσεκτα.
- ♦ Δεν έχουν επιχειρηθεί επισκευές από πρόσωπα άλλα από το προσωπικό της υπηρεσίας μας. Η βλάβη είναι αποτέλεσμα φυσικής φθοράς.

Η εγγύηση προσφέρεται ως πρόσθετο πλεονέκτημα και δεν επηρεάζει τα νομοθετημένα δικαιώματά σας.

#### Η πολιτική εγγύησης

Βλάβες που οφείλονται στις ακόλουθες περιπτώσεις δεν καλύπτονται:

- ♦ Η αντικατάσταση χαλασμένων ή σπασμένων λεπίδων, γραμμών νάυλων και αλυσίδων, ή καλωδίων που έπαθαν βλάβη κατά τη διάρκεια αποθήκευσης ή χρήσης. Αυτές οι περιπτώσεις θεωρούνται είδη αντικατάστασης που φθείρονται λόγω κανονικής χρήσης.





## ΕΛΛΗΝΙΚΑ

- ♦ Βλάβες λόγω αιφνίδιου τραντάγματος ή προφανούς κακομεταχείρισης.
- ♦ Βλάβες λόγω χρήσης που δεν συμμορφώνεται με τις οδηγίες και τις συστάσεις που περιέχονται στο βιβλίο οδηγιών.

**Η χρήση άλλων εξαρτημάτων και ανταλλακτικών εκτός των αυθεντικών της Black & Decker, μπορεί να προκαλέσει βλάβη ή να μειώσει την απόδοση του εργαλείου της Black & Decker και να επιφέρει την ακύρωση της εγγύησης.**

### ΥΠΗΡΕΣΙΑ ΜΕΤΑ ΑΠΟ ΤΗΝ ΠΩΛΗΣΗ

Πολλές λεπτομέρειες σχετικά με την υπηρεσία μετά από την πώληση είναι διαθέσιμες στο Internet στη διεύθυνση [www.2helpU.com](http://www.2helpU.com). Εναλλακτικά, επικοινωνήστε με το Κέντρο Εξυπηρέτησης και Πληροφόρησης, στη διεύθυνση που αναφέρεται στο οπισθόφυλλο αυτών των οδηγιών χρήσης.

Η Black & Decker αποσκοπεί στην πλήρη ικανοποίηση των πελατών της με τα προϊόντα της και με την παροχή τεχνικής εξυπηρέτησης μετά την πώληση. Αν χρειάζεστε κάποια βοήθεια ή συμβουλή, παρακαλώ επικοινωνήστε με τον τοπικό αντιπρόσωπο της Black & Decker.

Αμα το προϊόν σας χρειάζεται επισκευή, παρακαλώ πηγαίνετε το ή στείλτε το σ'ένα απο τα εξουσιοδοτημένα service της Black & Decker, παρέχοντας την απόδειξη αγοράς σας. Η Black & Decker προσφέρει ένα εθνικό δίκτυο Τεχνικής Εξυπηρέτησης.

Αν θέλετε να μάθετε περισσότερες λεπτομέρειες για τις προστιθέμενες υπηρεσίες που προσφέρονται από την Black & Decker, παρακαλώ απευθυνθείτε σε ένα απο τα εξουσιοδοτημένα service της Black & Decker.

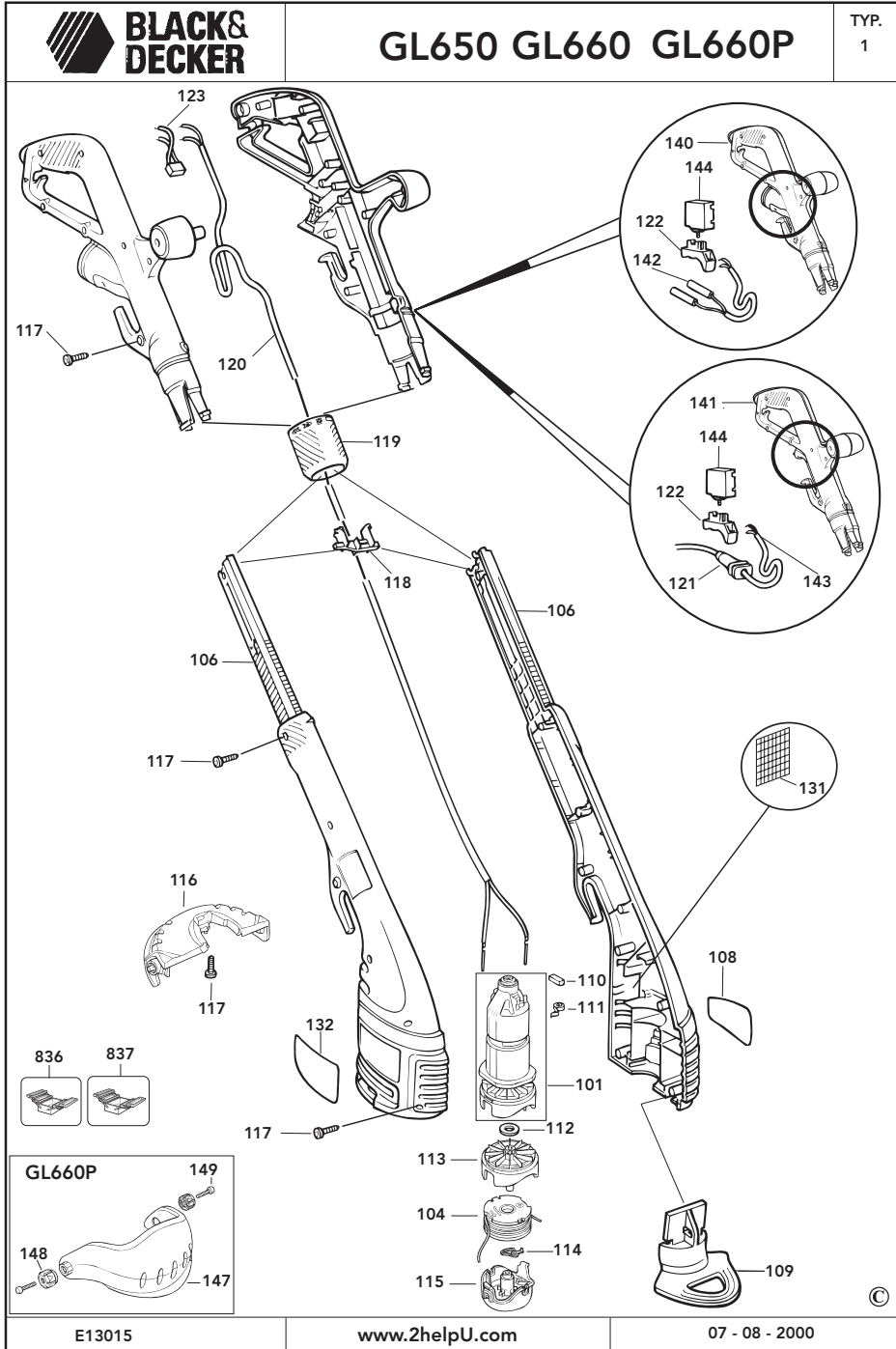
### ΑΛΛΑ ΕΡΓΑΛΕΙΑ ΚΗΠΟΥ

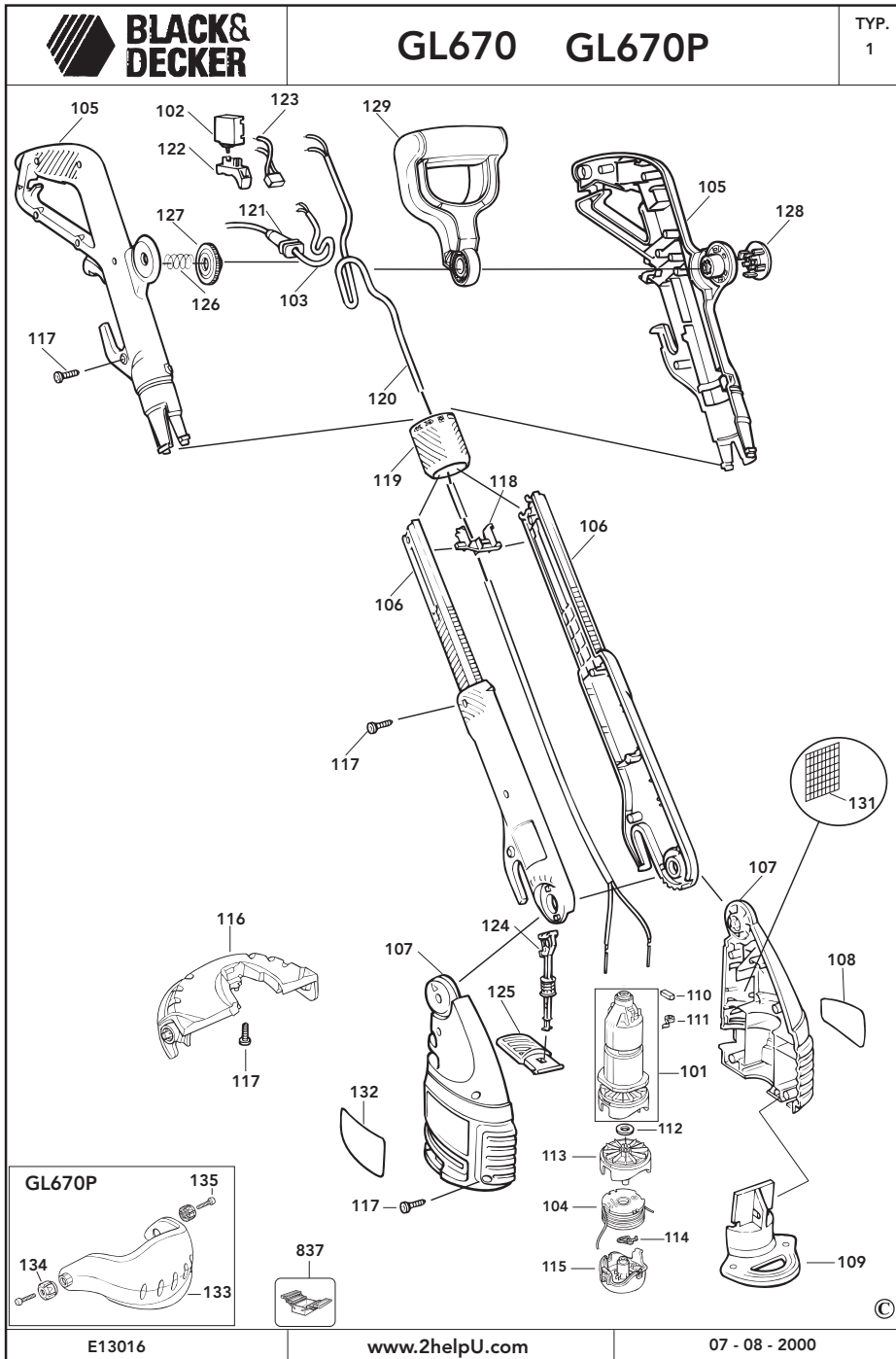
Η Black & Decker διαθέτει μία πλήρη σειρά εργαλείων κήπου, τα οποία διευκολύνουν την εργασία σας στον κήπο. Για περισσότερες πληροφορίες σχετικά με τα προϊόντα που αναφέρονται παρακάτω, επικοινωνήστε με το Κέντρο Εξυπηρέτησης και Πληροφόρησης (στη διεύθυνση που αναφέρεται προς το τέλος αυτών των οδηγιών χρήσης) ή με το πλησιέστερο εξουσιοδοτημένο κατάστημα της Black & Decker.

- Μηχανές φινιρίσματος χόρτου
- Αλυσοπρίονα
- Φορτιζόμενα ψαλίδια
- Χλοσκοπτικές μηχανές
- Απορροφητήρας/Φυσητήρας φύλλων
- Σπαστήρας φύλλων/κλαδιών

Δεν είναι όλα τα προϊόντα διαθέσιμα σε όλες τις χώρες.















<b>Australia</b>	DeWALT Industrial Power Tool Company 7 Clarice Road, Box Hill, Victoria 3128	Tel. 03 9895 9200 Fax 03 9899 7465
<b>Belgique/België</b>	Black & Decker (Belgium) N.V. Weihoek 1, 1930 Zaventem	Tel. 02/719.07.11 Fax 02/719.08.10
<b>Danmark</b>	Black & Decker Hejrevang 26B, 3450 Allerød Internet: www.blackdecker.dk	Tel. 70 20 15 10 Fax 48 14 13 99
<b>Deutschland</b>	Black & Decker GmbH Black & Decker Str. 40, D - 65510 Idstein	Tel. 06126/21 24 83 Fax 06126/21 26 01
<b>Ελλάς</b>	Black & Decker (Ελλάς) A.E. Στράβωνος 7 & Βουλιαγμένης 159 Γλυφάδα 16674, Ελλάδα	Τηλ. (01) 8981-616 Φαξ (01) 8983-570 Service (01) 8982-630
<b>España</b>	Black & Decker Spain Parque de Negocios "Mas Blau" Edificio Muntadas, c/Bergadá, 1, Of. A6 08820 El Prat de Llobregat (Barcelona)	Tel. 934 797 400 Fax 934 797 419
<b>France</b>	Black & Decker (France) S.A.S. B.P. 21, 69571 Dardilly Cédex	Tel. 04 72 20 39 20 Fax 04 72 20 39 00
<b>Helvetia</b>	Eduard Luggen Black & Decker-Service Schweiz Industriestrasse 1 / Postfach 323 8157 Dielsdorf	Tel. 01/854 01 01 Fax 01/854 02 02
<b>Italia</b>	Black & Decker Italia SpA Viale Elvezia 2 20052 Monza (MI)	Tel. 039-23871 Fax 039-2387592/2387594 Numero verde 800-213935
<b>Nederland</b>	Black & Decker (Nederland) BV Florijnstraat 10, 4879 AH Etten-Leur	Tel. 076-5082000 Fax 076-5038184
<b>New Zealand</b>	Black & Decker 81 Hugo Johnson Drive Penrose, Auckland, New Zealand	Tel. 09 579 7600 Fax 09 579 8200
<b>Norge</b>	Black & Decker (Norge) A/S Postboks 248, Leirdal, 1011 Oslo Internet: www.blackdecker.no	Tlf. 22 90 99 00 Fax 22 90 99 01
<b>Österreich</b>	Black & Decker Vertriebsges.m.b.H Erlaaerstraße 165, 1231 Wien	Tel. 01 66116-0 Fax 01 66116-14
<b>Portugal</b>	Black & Decker Rua Egas Moniz 173, 2766-651 S. João do Estoril	Tel. 214667500 Fax 214667575
<b>South Africa</b>	Black & Decker South Africa (Pty) Ltd Physical address: 146 Lechwe Street, Corporate park Randjiesfontein, Midrand Postal address: Postnet Suite 107, Private Bag X65 Halfway House 1685	Tel. (011) 653-1400 Fax (011) 653-1499
<b>Suomi</b>	Black & Decker Oy Palotie 3, 01610 Vantaa Black & Decker Oy, Brandvägen 3, 01610 Vanda	Puh: (09) 825 4540 Fax: (09) 825 45 444 Tel: (09) 825 4540 Fax: (09) 825 45 444
<b>Sverige</b>	Black & Decker AB Box 603, 421 26 Västra Frölunda, Besöksadr. Ekonomivägen 11	Tel: 031-68 60 00 Fax: 031-68 60 08
<b>Türkiye</b>	Black & Decker Merkez Servis Dudullu Cad. Kerembey Sok. No. 1 Küçükbakkalköy/Istanbul	Tel. 0216 455 89 73 Faks 0216 455 20 52
<b>United Kingdom</b>	Black & Decker 210 Bath Road Slough, Berkshire SL1 3YD	Tel. 01753 511234 Fax 01753 551155 Helpline 01753 574277

806620-08



Dealer address  
Händleradresse  
Cachet du revendeur  
Indirizzo del rivenditore  
Adres van de dealer  
Dirección del detallista  
Morada do revendedor  
Återförsäljarens adress  
Forhandlens adresse  
Jälleenmyyjän osoite  
Διεύθυνση αντιπροσώπου

- ◆ Name ◆ Nom ◆ Nome
- ◆ Naam ◆ Nombre ◆ Nome ◆ Namn
- ◆ Navn ◆ Navn ◆ Nimi ◆ Oνομα:

- ◆ Address ◆ Adresse ◆ Adresse
- ◆ Indirizzo ◆ Adres ◆ Dirección ◆ Morada
- ◆ Address ◆ Adresse ◆ Adresse ◆ Osoite
- ◆ Διεύθυνση:

- ◆ Town ◆ Ort ◆ Ville ◆ Città ◆ Plaats
- ◆ Ciudad ◆ Localidade ◆ Ort ◆ By ◆ By
- ◆ Paikkakunta ◆ Πόλη:

- ◆ Postal code ◆ Postleitzahl ◆ Code postal ◆ Codice postale ◆ Postcode
- ◆ Código ◆ Código postal ◆ Postnr.
- ◆ Postnr. ◆ Postnr. ◆ Postnummero
- ◆ Κωδικός



- ◆ Is this tool a gift? ◆ Ist dieses Gerät ein Geschenk? ◆ S'agit-il d'un cadeau? ◆ Si tratta di un regalo? ◆ Kreeg u de machine als cadeau? ◆ ¿Ha recibido usted esta herramienta como regalo? ◆ Recebeu esta ferramenta como presente? ◆ Är verktyget en gåva? ◆ Er verktyget en gave? ◆ Onko kone lahja? ◆ Το εργαλείο είναι δωρό?

- ◆ Yes ◆ Ja ◆ Oui ◆ Si ◆ Ja ◆ Si
- ◆ Sim ◆ Ja ◆ Ja ◆ Ja ◆ Kyllä ◆ Nät
- ◆ No ◆ Nein ◆ Non ◆ No ◆ Nee
- ◆ No ◆ Não ◆ Nej ◆ Nei ◆ Nej
- ◆ Ei ◆ Oχι

- ◆ Is this tool your first purchase? ◆ Ist dieses Gerät ein Erstkauf? ◆ Est-ce un 1er achat? ◆ Questo prodotto è il suo primo acquisto? ◆ Is deze machine uw eerste aankoop? ◆ ¿Es esta herramienta la primera de este tipo? ◆ Esta ferramenta é a sua primeira compra? ◆ Är detta ditt första B&D-verktyg? ◆ Er dette ditt første B&D-verktoy? ◆ Er dette dit første B&D



Date of purchase  
Kaufdatum  
Date d'achat  
Data d'acquisto  
Aankoopdatum  
Fecha de compra  
Data de compra  
Inköpsdatum  
Inkøpsdato  
Ostopäivä  
Ημερομηνία αγοράς

- verktøj? ◆ Onko tämä ensimmäinen B&D-koneesi? ◆ Είναι το εργαλείο αυτό η πρώτη σας αγορά?

- ◆ Yes ◆ Ja ◆ Oui ◆ Si ◆ Ja ◆ Si
- ◆ Sim ◆ Ja ◆ Ja ◆ Ja ◆ Kyllä ◆ Nät
- ◆ No ◆ Nein ◆ Non ◆ No ◆ Nee
- ◆ No ◆ Não ◆ Nej ◆ Nei ◆ Nej
- ◆ Ei ◆ Oχι

- ◆ Dealer address ◆ Händleradresse
- ◆ Cachet du revendeur ◆ Indirizzo del rivenditore ◆ Adres van de dealer
- ◆ Dirección del detallista ◆ Morada do revendedor ◆ Återförsäljarens adress
- ◆ Forhandlens adresse ◆ Forhandler adresse ◆ Jälleenmyyjän osoite
- ◆ Διεύθυνση αντιπροσώπου

Cat. no.:



- ◆ Data protection act: Tick the box if you prefer not to receive further information. ◆ Bitte ankreuzen, falls Sie keine weiteren Informationen erhalten möchten. ◆ Si vous ne souhaitez pas recevoir d'informations, cochez cette case. ◆ Barrate la casella se non desiderate ricevere informazioni. ◆ A.u.b., dit vakje aankruisen indien u geen informatie wenst te ontvangen. ◆ Señale en la casilla sino quiere recibir información. ◆ Por favor, assinale com uma cruz se não desejar receber informação. ◆ Vänligen kryssa för i rutan om Ni inte vill ha information. ◆ Vennligst kryss av dersom du ikke ønsker informasjon. ◆ Venligst sæt kryds i ruden såfremt De ikke måtte ønske at modtage information. ◆ Merkitkää rasti ruutuun, mikäli ette halua vastaanottaa informaatiota. ◆ Παράκαλείστε να σημειώσετε εάν δεν θέλετε να πάρετε πληροφορίες.





- ◆ GUARANTEE CARD**
- ◆ GARANTIEKART**
- ◆ GARANTIEKART**
- ◆ GARANTI KORT**
- ◆ GARANTIEKART**
- ◆ TARJETA DE GARANTÍA**
- ◆ GARANTI KORT**
- ◆ GARANTI KORT**
- ◆ CARTÉ DE GARANTIE**
- ◆ CARTÃO DE GARANTIA**
- ◆ TAKUKORTTI**
- ◆ TAGLIANDO DI GARANZIA**
- ◆ GARANTIBEVIS**
- ◆ KAPTA ETΓΥΗΣΗΣ**

**English**

Please complete this section immediately after the purchase of your tool and send it to Black & Decker in your country. If you live in Australia or New Zealand, please register by using the alternative guarantee card supplied.

**Deutsch**

Bitte schneiden Sie diesen Abschnitt ab, stecken ihn in einen frankierten Umschlag und schicken ihn an die Black & Decker Adresse Ihres Landes.

**Français**

Découpez cette partie et envoyez-la sous enveloppe timbrée à l'adresse de Black & Decker dans votre pays, ceci immédiatement après votre achat.

**Italiano**

Per favore ritagliate questa parte, inseritela in una busta con francobollo e spedite la subito dopo l'acquisto del prodotto all'indirizzo della Black & Decker nella vostra nazione.

**Nederlands**

Knip dit gedeelte uit en zend het direct na aankoop in een gefrankeerde, geaddresserde envelop naar het adres van Black & Decker in uw land.

**Español**

Después de haber comprado su herramienta envíe usted, por favor, esta tarjeta a la central de Black & Decker en su país.

**Português**

Por favor, recorte esta parte, coloque-a num envelope selado e endereçado e envie-o logo após a compra do seu produto para o endereço da Black & Decker do seu país.

**Svenska**

Var vänlig klipp ur denna del och sänd den i ett frankerat kuvert till Black & Deckers adress i Ditt land.

**Norsk**

Vennligst klipp ut denne delen umiddelbart etter du har pakket ut ditt produkt og legg det i en adressert konvolutt til Black & Decker (Norge) A/S.

**Dansk**

Venligst klip denne del ud og send frankeret til Black & Decker i dit land.

**Suomi**

Leikkaa irti tämä osa, laita se kuoreen ja postita kuori paikalliseen Black & Decker osoitteeseen.

**Ελληνικά**

Παράκαλώ κόψτε αυτό το κομμάτι και ταχυδρομήστε το αμέσως μετά την αγορά του προϊόντος σας στην διεύθυνση της Black & Decker στην Ελλάδα.

