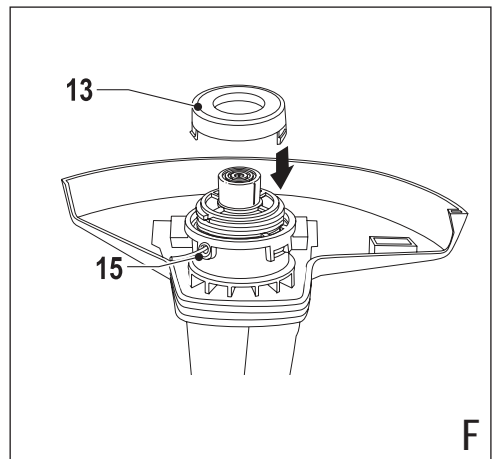
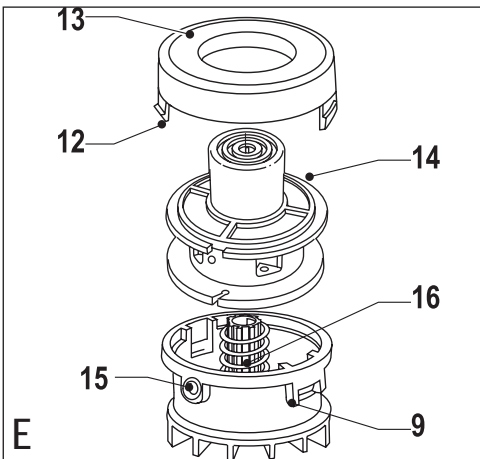
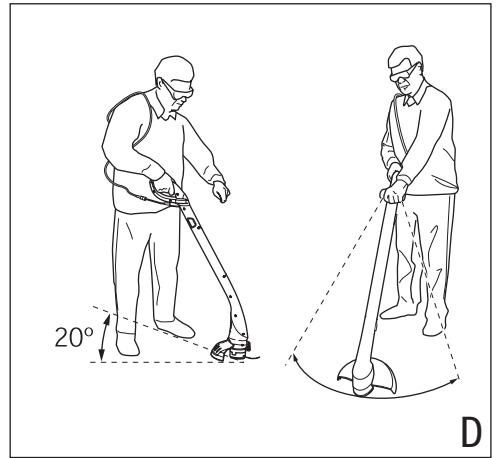
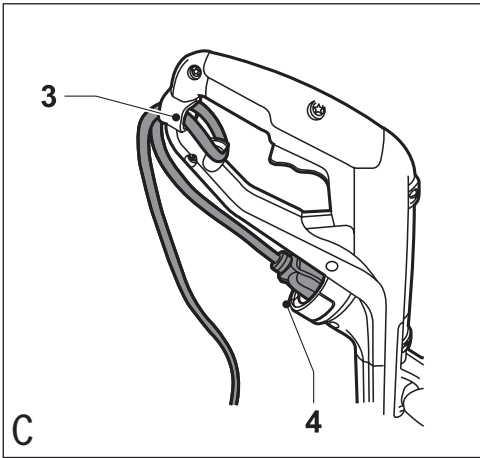
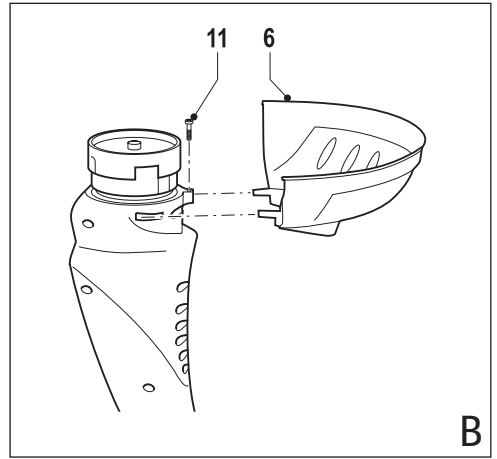
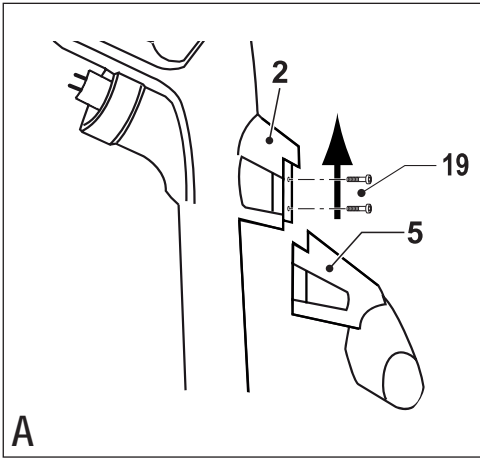
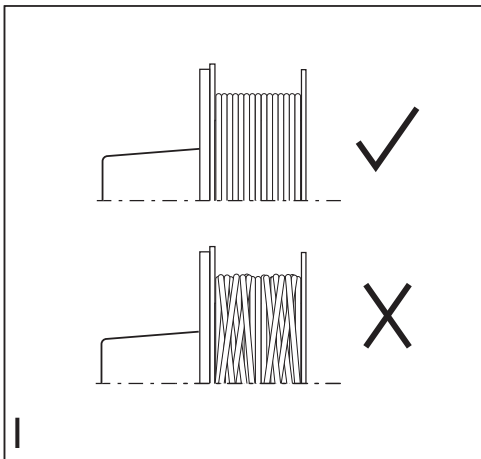
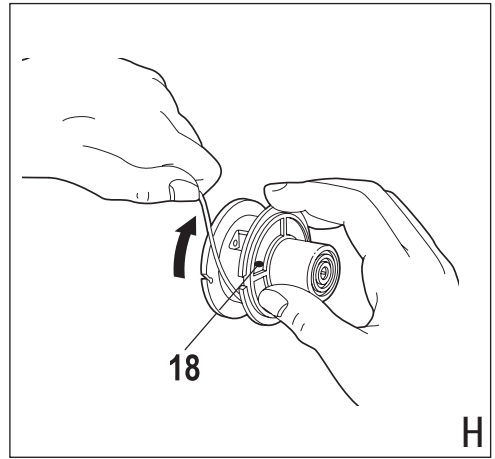
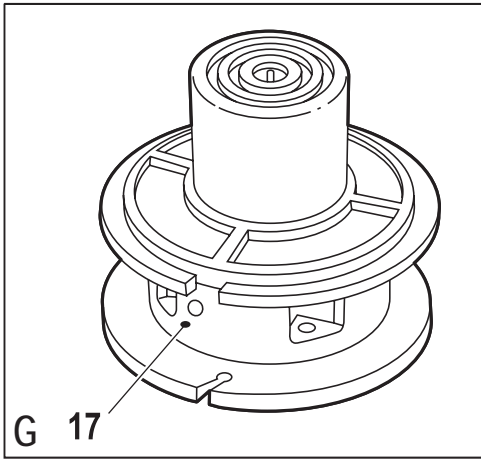


www.blackanddecker.com.au
www.blackanddecker.co.nz

GL310
GL360





Intended use

Your Black & Decker trimmer has been designed for trimming and finishing lawn edges and to cut grass in confined spaces. This appliance is intended for consumer use only.

Safety instructions

Warning! When using mains-powered appliances, basic safety precautions, including the following, should always be followed to reduce the risk of fire, electric shock, personal injury and material damage.

Warning! When using the machine the safety rules must be followed. For your own safety and bystanders please read these instructions before operating the machine. Please keep the instructions safe for later use.

- ◆ Read all of this manual carefully before operating the appliance.
- ◆ The intended use is described in this manual. The use of any accessory or attachment or the performance of any operation with this appliance other than those recommended in this instruction manual may present a risk of personal injury.
- ◆ Retain this manual for future reference.

Using your appliance

Always take care when using the appliance.

- ◆ Always use safety glasses or goggles.
- ◆ Never allow children or people unfamiliar with the instructions to use the appliance.
- ◆ Do not allow children or animals to come near the work area or to touch the appliance or power supply cord.
- ◆ Close supervision is necessary when the appliance is used near children.
- ◆ This appliance is not intended for use by young or infirm persons without supervision.
- ◆ This appliance is not to be used as a toy.
- ◆ Only use the appliance in daylight or good artificial light.
- ◆ Use in a dry location only. Do not allow the appliance to become wet.
- ◆ Do not immerse the appliance in water.
- ◆ Do not open the body casing. There are not user-serviceable parts inside.
- ◆ Do not operate the appliance in explosive atmospheres, such as in the presence of flammable liquids, gases or dust.
- ◆ To reduce the risk of damage to plugs or cords, never pull the cable to remove the plug from a socket.

Safety of others

- ◆ This appliance is not intended for use by persons (including children) with reduced physical, sensory or mental capabilities, or lack of experience and knowledge, unless they have been given supervision or instruction concerning use of the appliance by a person responsible for their safety.
- ◆ Children must be supervised to ensure that they do not play with the appliance.

Residual risks.

Additional residual risks may arise when using the tool which may not be included in the enclosed safety warnings. These risks can arise from misuse, prolonged use etc.

Even with the application of the relevant safety regulations and the implementation of safety devices, certain residual risks can not be avoided. These include:

- ◆ **Injuries caused by touching any rotating/moving parts.**
- ◆ **Injuries caused when changing any parts, blades or accessories.**
- ◆ **Injuries caused by prolonged use of a tool. When using any tool for prolonged periods ensure you take regular breaks.**
- ◆ **Impairment of hearing.**
- ◆ **Health hazards caused by breathing dust developed when using your tool (example:- working with wood, especially oak, beech and MDF.)**

After use

- ◆ When not in use, the appliance should be stored in a dry, well ventilated place out of reach of children.
- ◆ Children should not have access to stored appliances.
- ◆ When the appliance is stored or transported in a vehicle it should be placed in the boot or restrained to prevent movement following sudden changes in speed or direction.
- ◆ Power to the tool should always be supplied via residual with a rated residual current of 30mA or less.

Inspection and repairs

- ◆ Before use, check the appliance for damaged or defective parts. Check for breakage of parts and any other conditions that may affect its operation.
- ◆ Do not use the appliance if any part is damaged or defective.
- ◆ Have any damaged or defective parts repaired or replaced by an authorised repair agent.
- ◆ Never attempt to remove or replace any parts other than those specified in this manual.

Using an extension cable

Always use an approved extension cable suitable for the power input of this appliance (see technical data). The extension cable must be suitable for outdoor use and marked accordingly. Up to 30 m of 1.5 mm² H05VV-F extension cable can be used without loss of product performance. Before use, inspect the extension cable for signs of damage, wear and ageing. Replace the extension cable if damaged or defective. When using a cable reel, always unwind the cable completely.

Additional safety instructions for grass trimmers

Warning! Cutting elements continue to rotate after the motor is switched off.

- ◆ Be familiar with the controls and the proper use of the appliance.
- ◆ Before use, check the power supply cord and extension cord for signs of damage, ageing and wear. If a cord becomes damaged during use, disconnect the cord from the mains supply immediately. **DO NOT TOUCH THE CORD BEFORE DISCONNECTING THE SUPPLY.**
- ◆ Do not use the appliance if the cords are damaged or worn.
- ◆ Wear stout shoes or boots to protect your feet.
- ◆ Wear long trousers to protect your legs.
- ◆ Before using the appliance, check that your cutting path is free from sticks, stones, wire and any other obstacles.
- ◆ Only use the appliance in the upright position, with the cutting line near the ground. Never switch the appliance on in any other position.
- ◆ Move slowly when using the appliance. Be aware that freshly cut grass is damp and slippery.
- ◆ Do not work on steep slopes. Work across the face of slopes, not up and down.
- ◆ Never cross gravel paths or roads while the appliance is running.
- ◆ Never touch the cutting line while the appliance is running.
- ◆ Do not put the appliance down until the cutting line has come to a complete standstill.
- ◆ Use only the appropriate type of cutting line. Never use metal cutting line or fishing line.
- ◆ Be careful not to touch the line trimming blade.
- ◆ Take care to keep the mains cable away from the cutting line. Always be aware of the position of the cable.
- ◆ Keep hands and feet away from the cutting line at all times, especially when switching on the motor.
- ◆ Before using the appliance and after any impact, check for signs of wear or damage and repair as necessary.
- ◆ Never operate the appliance with damaged guards or without guards in place.
- ◆ Take care against injury from any device fitted for trimming the filament line length. After extending new cutter line always return the machine to its normal operating position before switching on.

- ◆ Always ensure that the ventilation slots are kept clear of debris.
- ◆ Do not use the lawn trimmer (edge trimmer), if the cords are damaged or worn.
- ◆ Keep extension cords away from cutting elements.

Labels on appliance

The following warning symbols are found on the appliance:



Read the manual prior to operation.



Wear safety glasses or goggles when operating this appliance.



Wear suitable ear protectors when operating this appliance.



Always remove the plug from the socket before inspecting a damaged cable. Be careful not to use your strimmer if the cable is damaged.



Beware of flying objects. Keep bystanders away from the cutting area.



Do not expose the appliance to rain or high humidity.

Electrical safety



This appliance is double insulated; therefore no earth wire is required. Always check that the power supply corresponds to the voltage on the rating plate.

- ◆ If the supply cord is damaged, it must be replaced by the manufacturer or an authorised Black & Decker Service Centre in order to avoid a hazard.
- ◆ Electric safety can be further improved by using a highsensitivity 30 mA Residual Current Device (RCD).

Features

This appliance includes some or all of the following features.

1. On/off switch
2. Handle
3. Cable restraint
4. Power inlet
5. Second handle
6. Guard
7. Line trimming blade
8. Cutting line
9. Spool housing
10. Head

Assembly

Warning! Before assembly, make sure that the tool is switched off and unplugged.

Attaching the second handle (fig. A) (GL310-XE & GL360-XE only)

- ◆ Slide the second handle (5) on to the main handle (2) in an upwards direction.
- ◆ Secure the second handle in place with the two screws provided.

Fitting the guard (fig. B)

- ◆ Place the guard onto the tool as shown.
- ◆ Firmly press the guard (6) until it snaps into place.
- ◆ Secure the guard with the screw.

Warning! Never use the tool unless the guard is properly fitted.

Releasing the cutting line

In transit, the cutting line is taped to the spool housing.

- ◆ Remove the tape holding the cutting line (8) to the spool housing (9).

Connecting the tool to the mains (fig. C)

- ◆ Connect the female plug of a suitable extension cable to the power inlet (4).
- ◆ Loop the cable through the cable restraint (3).
- ◆ Insert the mains plug into a mains outlet.

For wired in cable units: Make sure the cable is looped through the cable restraint prior to connecting the plug to the mains outlet.

Warning! The extension cable must be suitable for outdoor use.

Use

Warning! Let the tool work at its own pace. Do not overload.

Switching on and off

- ◆ To switch the tool on, squeeze the trigger lever (1).
- ◆ To switch the tool off, release the trigger lever.

Warning! Never attempt to lock the trigger lever in the on position.

Hints for optimum use

General

- ◆ In order to achieve optimum cutting results, only cut dry grass.

Trimming

- ◆ Hold the tool as shown in fig. D.
- ◆ Gently swing the trimmer from side to side.
- ◆ When cutting long grass, work in stages from the top. Take small cuts.
- ◆ Keep the tool away from hard objects and delicate plants.
- ◆ Cutting line will wear faster and require more feeding if the cutting is done along pavements or other abrasive surfaces or heavier weeds are being cut.
- ◆ As you use the trimmer, the string will get shorter due to wear. Gently bump the unit on the ground whilst running and the line will feed.
- ◆ If the tool starts running slowly, reduce the load.

Fitting a new spool of cutting line (fig. E - F)

Replacement spools of cutting line are available from your Black & Decker dealer (cat. no. A6226-XJ).

- ◆ Keep the tabs (12) depressed and remove the spool cover (13) from the housing (9).
- ◆ Remove the empty spool (14) from the spool housing.
- ◆ Remove any dirt and grass from the spool cover and housing.
- ◆ Take the new spool and unwind approximately 10 cm of cutting line.
- ◆ Feed the cutting line through the eyelet (15).
- ◆ Push the spool onto the drive shaft (16) and rotate it slightly until it is seated. Make sure that the cutting line is not trapped under the spool and that 10 cm of cutting line protrudes from the housing.
- ◆ Align the tabs (12) on the spool cover with the holes in the housing (15).
- ◆ Push the cover onto the housing until it snaps securely into place.

Warning! If the cutting line protrudes beyond the trimming blade (7), cut it off so that it just reaches the blade.

Winding a new cutting line onto an empty spool (fig. G - I)

You may wind new cutting line onto an empty spool.

- ◆ Remove the empty spool from the tool as described above.
- ◆ Remove any remaining cutting line from the spool.
- ◆ Feed 2 cm of cutting line into one of the holes (17) in the spool as shown.
- ◆ Wind the cutting line onto the spool in the direction of the arrow (18). Make sure to wind the line on neatly and in layers. Do not criss-cross.
- ◆ Let the line protrude approximately 10 cm from the spool and hold a finger on the line to keep it in place.
- ◆ Proceed as described above to fit the spool on the tool.

Warning! Only use the appropriate type of Black & Decker cutting line.

Troubleshooting

If your tool seems not to operate properly, follow the instructions below. If this does not solve the problem, please contact your local Black & Decker repair agent.

Warning! Before proceeding, unplug the tool.

Appliance runs slowly

- ◆ Check that the spool housing can rotate freely. Carefully clean it if necessary.
- ◆ Check that the cutting line does not protrude more than 11 cm from the spool housing. If it does, cut it off so that it just reaches the line trimming blade.

If the bump feed does not work

- ◆ Keep the tabs depressed and remove the spool cover from the housing.
- ◆ Pull the cutting line until it protrudes 11 cm from the housing. If insufficient cutting line is left on the spool, install a new spool of cutting line as instructed above.
- ◆ Align the tabs on the spool cover with the cut outs in the housing.
- ◆ Push the cover onto the housing until it snaps securely into place.
- ◆ If the cutting line protrudes beyond the trimming blade, cut it off so that it just reaches the blade.

If the bump feed still does not work or the spool is jammed, try the following suggestions:

- ◆ Carefully clean the spool cover and housing.
- ◆ Remove the spool and check that the spring is in place.

- ◆ Remove the spool and unwind the cutting line, then wind it on neatly again as described above. Replace the spool as instructed.

Maintenance

Your Black & Decker corded/cordless appliance/tool has been designed to operate over a long period of time with a minimum of maintenance. Continuous satisfactory operation depends upon proper tool/appliance care and regular cleaning.

Warning! Before performing any maintenance on corded/cordless power tools:

- ◆ Switch off and unplug the appliance/tool.
- ◆ Or switch off and remove the battery from the appliance/tool if the appliance/tool has a separate battery pack.
- ◆ Or run the battery down completely if it is integral and then switch off.
- ◆ Unplug the charger before cleaning it. Your charger does not require any maintenance apart from regular cleaning.
- ◆ Regularly clean the ventilation slots in your tool/appliance and charger using a soft brush or dry cloth.
- ◆ Regularly clean the motor housing using a damp cloth. Do not use any abrasive or solvent-based cleaner.

Protecting the environment



Separate collection. This product must not be disposed of with normal household waste.

Should you find one day that your Black & Decker product needs replacement, or if it is of no further use to you, do not dispose of it with household waste. Make this product available for separate collection.



Separate collection of used products and packaging allows materials to be recycled and used again. Re-use of recycled materials helps prevent environmental pollution and reduces the demand for raw materials.

Local regulations may provide for separate collection of electrical products from the household, at municipal waste sites or by the retailer when you purchase a new product.

Black & Decker provides a facility for the collection and recycling of Black & Decker products once they have reached the end of their working life. To take advantage of this service please return your product to any authorised repair agent who will collect them on our behalf.

You can check the location of your nearest authorised repair agent by contacting your local Black & Decker office at the address indicated in this manual. Alternatively, a list of authorised Black & Decker repair agents and full details of our after-sales service and contacts are available on the Internet at: www.2helpU.com

Technical data

		GL310 Type 1	GL360 Type 1
Input Voltage	V _{AC}	230	230
Power Input	W	300	350
No-Load Speed	min ⁻¹	11500	11500
Cutting Width	cm	25	25
Weight	kg	1.5	1.5

Australia & New Zealand

Stanley Black & Decker

www.blackanddecker.com.au

www.blackanddecker.co.nz

Tel.1800 338 002 (Aust) or Tel. 0800 339 258 (NZ)