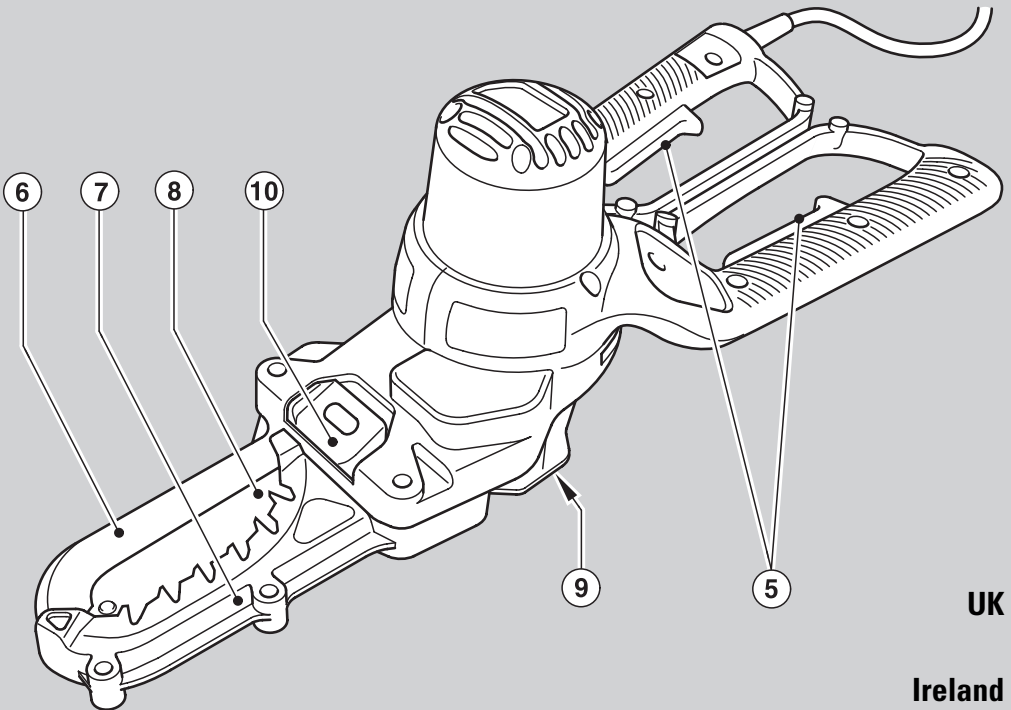




# BLACK & DECKER®

www.blackanddecker.com

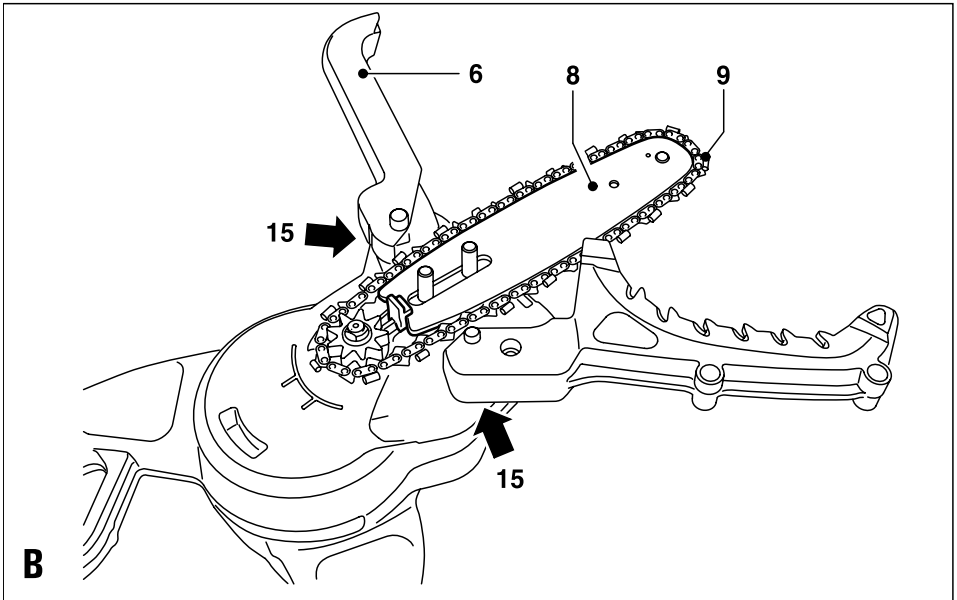
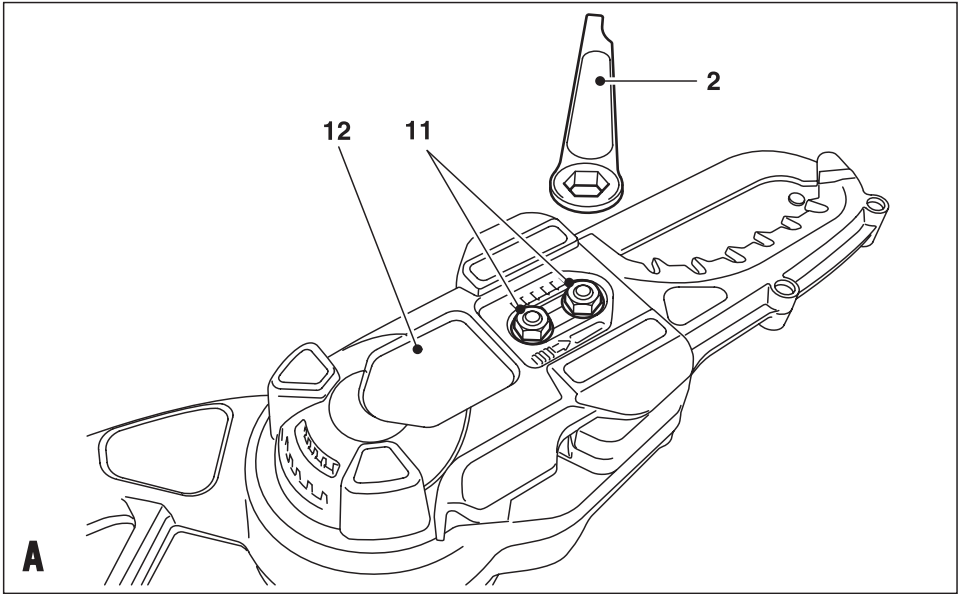


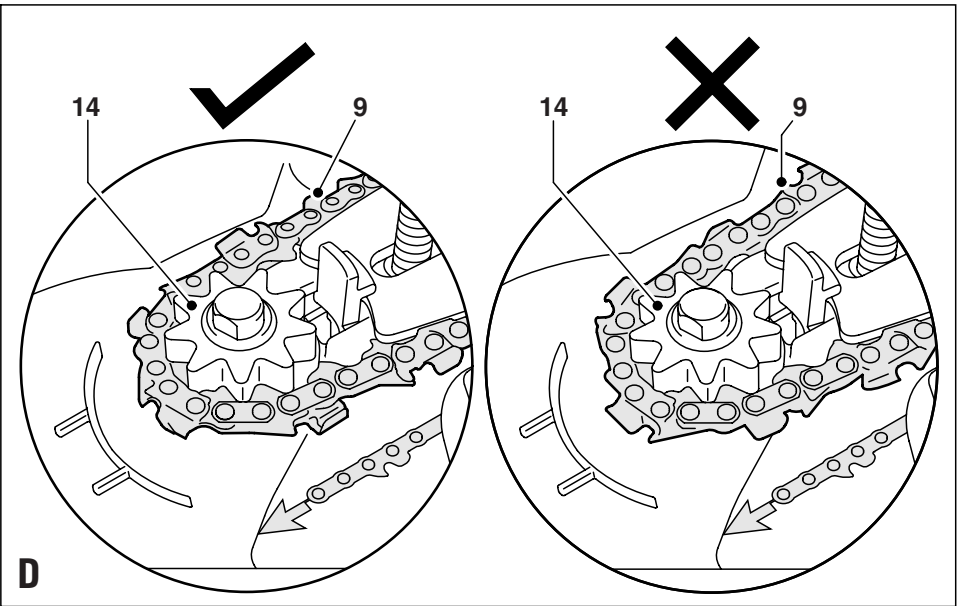
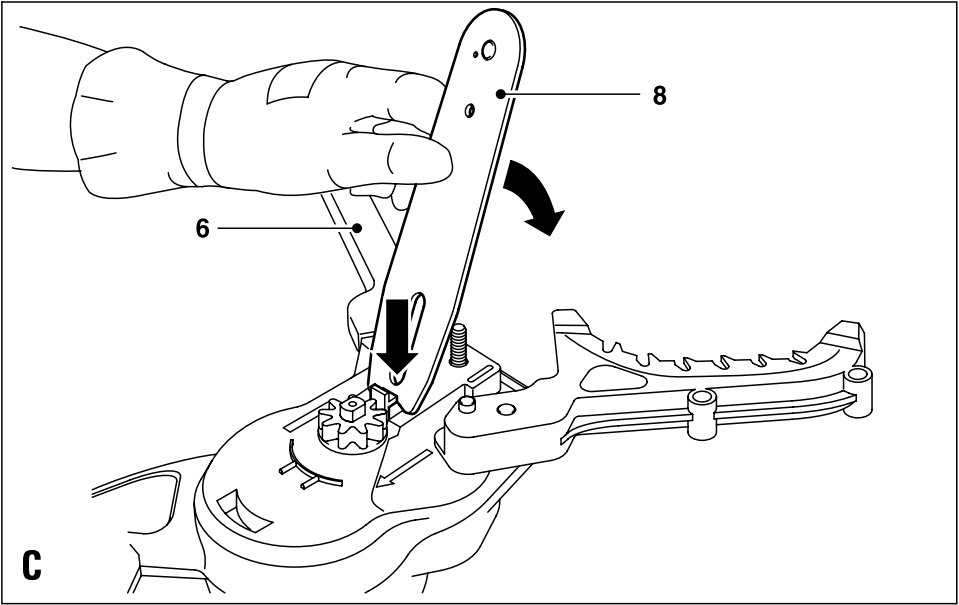
**UK**

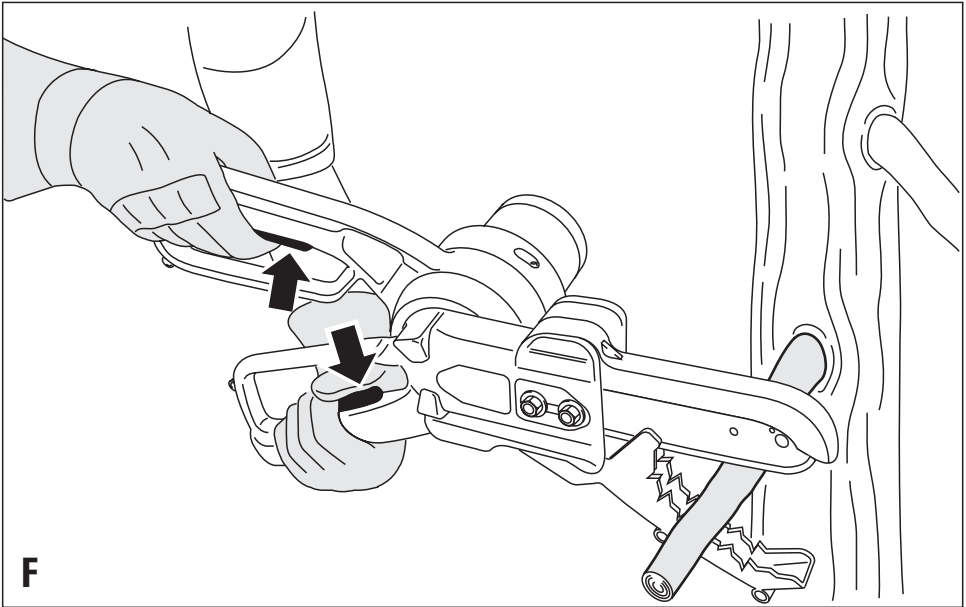
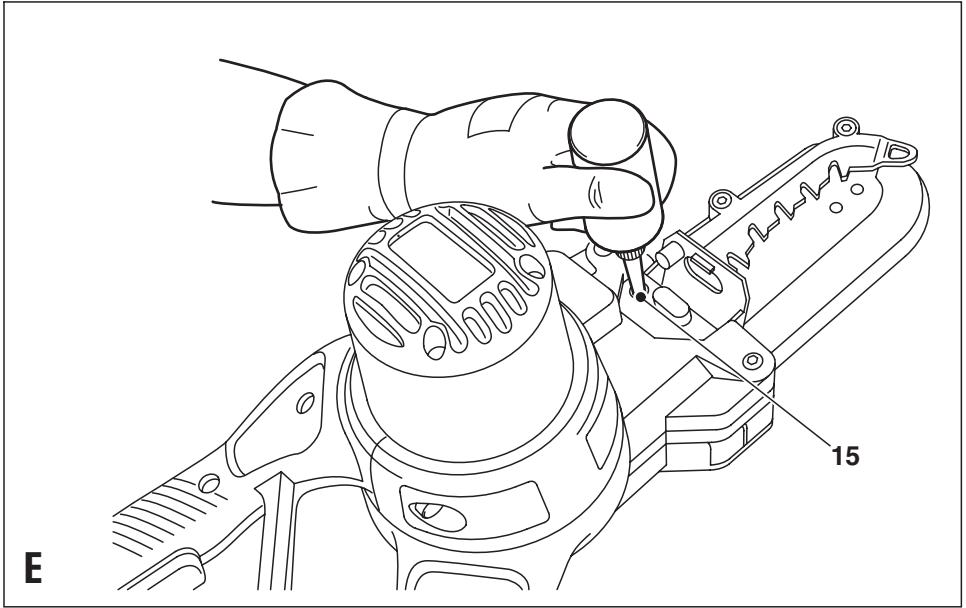
**Ireland**

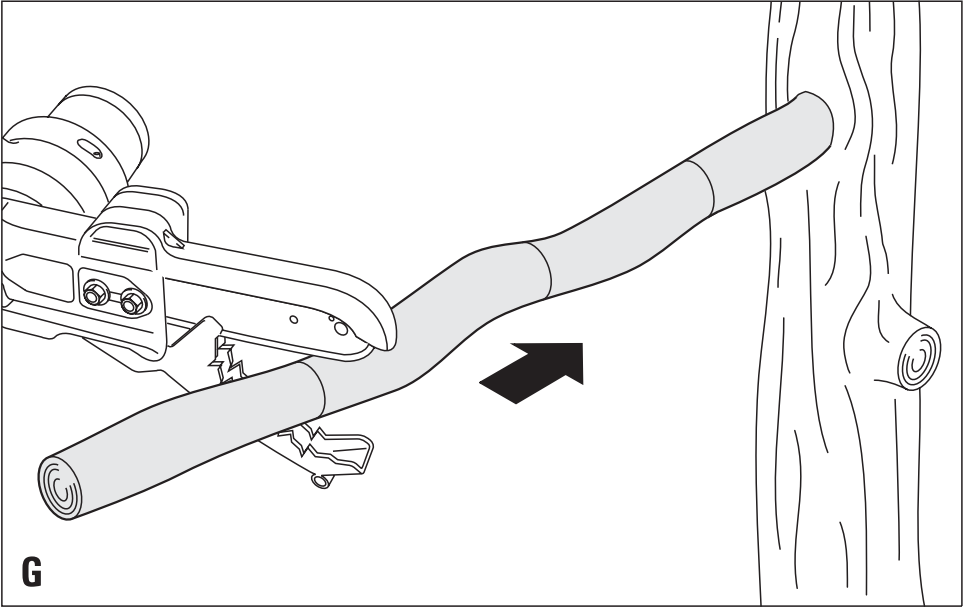
**Australia**

**New Zealand**









## Intended use

Your Black & Decker Alligator™ Lopper has been designed for trimming the branches of trees, cutting fallen branches and cutting small logs 25 mm to 100 mm in diameter while the operator is standing on the ground. This tool is intended for consumer use only.

## General safety rules

**Warning!** Read all instructions. Failure to follow all instructions listed below may result in electric shock, fire and/or serious injury. The term “power tool” in all of the warnings listed below refers to your mains operated (corded) power tool or battery operated (cordless) power tool. **SAVE THESE INSTRUCTIONS.**

### 1. Work area

- a. **Keep work area clean and well lit.** Cluttered and dark areas invite accidents.
- b. **Do not operate power tools in explosive atmospheres, such as in the presence of flammable liquids, gases or dust.** Power tools create sparks which may ignite the dust or fumes.
- c. **Keep children and bystanders away while operating a power tool.** Distractions can cause you to lose control.

### 2. Electrical safety

- a. **Power tool plugs must match the outlet. Never modify the plug in any way. Do not use any adapter plugs with earthed (grounded) power tools.** Unmodified plugs and matching outlets will reduce risk of electric shock.
- b. **Avoid body contact with earthed or grounded surfaces such as pipes, radiators, ranges and refrigerators.** There is an increased risk of electric shock if your body is earthed or grounded.
- c. **Do not expose power tools to rain or wet conditions.** Water entering a power tool will increase the risk of electric shock.
- d. **Do not abuse the cord. Never use the cord for carrying, pulling or unplugging the power tool. Keep cord away from heat, oil, sharp edges or moving parts.** Damaged or entangled cords increase the risk of electric shock.
- e. **When operating a power tool outdoors, use an extension cord suitable for outdoor use.** Use of a cord suitable for outdoor use reduces the risk of electric shock.

### 3. Personal safety

- a. **Stay alert, watch what you are doing and use common sense when operating a power tool. Do not use a power tool while you are tired or under the influence of drugs, alcohol or medication.** A moment of inattention while operating power tools may result in serious personal injury.

- b. **Use safety equipment. Always wear eye protection.** Safety equipment such as dust mask, non-skid safety shoes, hard hat, or hearing protection used for appropriate conditions will reduce personal injuries.
  - c. **Avoid accidental starting. Ensure the switch is in the off position before plugging in.** Carrying power tools with your finger on the switch or plugging in power tools that have the switch on invites accidents.
  - d. **Remove any adjusting key or wrench before turning the power tool on.** A wrench or a key left attached to a rotating part of the power tool may result in personal injury.
  - e. **Do not overreach. Keep proper footing and balance at all times.** This enables better control of the power tool in unexpected situations.
  - f. **Dress properly. Do not wear loose clothing or jewellery. Keep your hair, clothing and gloves away from moving parts.** Loose clothes, jewellery or long hair can be caught in moving parts.
  - g. **If devices are provided for the connection of dust extraction and collection facilities, ensure these are connected and properly used.** Use of these devices can reduce dust related hazards.
4. **Power tool use and care**
    - a. **Do not force the power tool. Use the correct power tool for your application.** The correct power tool will do the job better and safer at the rate for which it was designed.
    - b. **Do not use the power tool if the switch does not turn it on and off.** Any power tool that cannot be controlled with the switch is dangerous and must be repaired.
    - c. **Disconnect the plug from the power source before making any adjustments, changing accessories, or storing power tools.** Such preventive safety measures reduce the risk of starting the power tool accidentally.
    - d. **Store idle power tools out of the reach of children and do not allow persons unfamiliar with the power tool or these instructions to operate the power tool.** Power tools are dangerous in the hands of untrained users.
    - e. **Maintain power tools. Check for misalignment or binding of moving parts, breakage of parts and any other condition that may affect the power tools operation. If damaged, have the power tool repaired before use.** Many accidents are caused by poorly maintained power tools.
    - f. **Keep cutting tools sharp and clean.** Properly maintained cutting tools with sharp cutting edges are less likely to bind and are easier to control.
    - g. **Use the power tool, accessories and tool bits etc., in accordance with these instructions and in the manner intended for the particular type of power tool, taking into account the working conditions and the work to be performed.** Use of the power tool for operations different from those intended could result in a hazardous situation.

## 5. Service

- a. **Have your power tool serviced by a qualified repair person using only identical replacement parts.** This will ensure that the safety of the power tool is maintained.

### Additional safety instructions for the Alligator™ Lopper

**Warning!** Never use the tool above shoulder height. Always position yourself out of the path of falling branches and debris.

**Warning!** Do not use this tool to fell trees.

- ◆ Keep all parts of your body and clothing away from the saw chain at all times. Hold the tool in front of you and be aware of the saw chain position especially when cutting branches near the ground. Before you switch on make sure the saw chain is not contacting anything.
- ◆ Pre-plan a safe exit from falling branches and debris. Ensure the exit route is clear of obstacles that would prevent or hinder movement. Remember wet grass and freshly cut bark is slippery.
- ◆ Be aware of the direction that a branch may fall. Consider all conditions that may affect the direction of fall, including:
  - The intended direction of fall.
  - The natural lean of the branch.
  - Any unusual heavy limb structure or decay.
  - Surrounding trees and obstacles including overhead lines.
  - The wind speed and direction.
- ◆ The safe distance between a branch and debris to be felled and bystanders, buildings and other objects is at least 2 1/2 times the length of the branch. Any bystander, building or object within this distance is at risk from being struck by the falling branch.
- ◆ When cutting a limb that is under tension, be aware of spring-back. When the tension in the wood fibres are released the spring loaded limb may strike the operator and/or throw the tool out of control.
- ◆ Always wear suitable safety equipment such as non-skid safety shoes, hard hat, goggles, ear protection and gloves when operating the tool.
- ◆ Ensure someone is nearby (at a safe distance) in case of an accident.
- ◆ Do not attempt to operate the tool when in a tree, on a ladder or standing on any other unstable support.
- ◆ Keep proper footing and balance at all times.
- ◆ Hold the tool firmly with both hands when the motor is running.
- ◆ Keep handles dry, clean and free from oil and grease. Greasy oily handles are slippery causing loss of control.
- ◆ Do not let the moving chain contact any object at the tip of the guide bar.
- ◆ Keep your saw chain properly tensioned. Check tension at regular intervals with the motor stopped and cord disconnected.

- ◆ Begin and continue cutting only with the chain moving at full speed.
- ◆ Watch for shifting branches or other forces that could close a cut and pinch or fall into the chain.
- ◆ Use extreme caution when re-entering a previous cut. Engage spikes on lower jaw into wood and allow the chain to reach full speed before proceeding with cut.
- ◆ Use of this tool for operation different to those intended could result in hazardous situations. Cut wood only. Don't use this tool for purposes not intended - for example - Don't use tool for cutting plastic, masonry or non wood building materials.
- ◆ If any debris gets caught with the guard or tool discontinue use, disconnect the power cord and clear debris.
- ◆ Worn chains and chain guide bars should be replaced.
- ◆ Only use replacement bars and chains specified by the manufacturer.

The following warning symbols are found on your tool:



Read the user manual.



Do not use your saw in wet conditions or expose it to rain.



Always wear head, hearing and eye protection.



Beware of falling objects.  
Keep bystanders away.



Do not use on ladders.



Do not dispose of product in bin.



Check the chain tension after every 10 minutes of use. Adjust back to a clearance of 3 mm.



Oil the chain after every 10 minutes of use.



Warning do not touch chain at the chip ejection point (9).



Direction of travel of the chain.



Immediately disconnect the cable from the mains if it is damaged or cut.

## Electrical safety



This tool is double insulated; therefore no earth wire is required. Always check that the power supply corresponds to the voltage on the rating plate.

## Additional safety instructions

- ◆ This appliance is not intended for use by young or infirm persons without supervision. Children must be supervised to ensure they do not play with the appliance.
- ◆ If the supply cord is damaged, it must be replaced by the manufacturer or an authorised Black & Decker Service Centre in order to avoid a hazard.

## Residual Risk

Despite the application of the relevant safety regulations and the implementation of safety measures, certain residual risks are inherent to the use of wood cutting saws and cannot be avoided. These are:

- ◆ Risk of injury arising from contact with moving parts, sharp parts, hot parts, branches or debris falling on the operator, bystanders or property, debris ejected by the tool.
- ◆ Risk of injury arising from un-intended use, falling from a ladder or working position in a tree, damage to the supply cable, use of the tool in wet or hazardous locations, use of the product by young children or infirm persons, failure to wear suitable personal protection or suitable clothing, breathing dust generated from cutting wood.

The above risks have been addressed by including warnings in the safety instructions and/or markings applied to the tool.

The vibration value stated in this manual is in accordance with the standardised test of EN60745. The operator should not be exposed to high levels of vibration for extended periods of time. The vibration emissions of this tool are below 5m/s and are within the limits set by 2002/44/EC for continuous operation in an 8 hour day. The actual operating conditions may vary or possibly increase the vibration level from those recorded in the standardised test.

## Contents

1. Oil bottle
2. Spanner
3. User manual
4. Alligator™ lopper

The above is included as a minimum.

## Overview

5. On/off switch actuators
6. Top jaw
7. Lower jaw
8. Chain guide bar
9. Chipping ejection point
10. Oiling cover

## Chain tension adjustment (fig. A)

**Warning!** Before chain or other adjustments, make sure that the tool is switched off and unplugged.

**Warning!** Guide bar and chain may be hot after use. Allow to cool before adjustment.

The product comes ready assembled. However we recommend that you check the tension of the chain, and chain retention nuts before use and if required adjust.

## Checking and adjusting the chain tension (fig. A)

To tension the chain slacken the two chain cover retention nuts (11) with the spanner (2) and the chain tensioning device will push the chain bar out, setting the correct tension. Retighten the two retention nuts (11) securely.

Check the correct tension has been set by lightly pulling on the chain. The tension is correct when the chain snaps back after being pulled 3 mm away from the guide bar. There should be no "sag" between the guide bar and chain on the underside.

**Note:** Do not over tension the chain as this will lead to excessive wear and reduce the life of the bar and chain. It will also lead to reduced product performance.

**Note:** With first use and when the chain is new, check tension frequently as a new chain stretches slightly.

## Replacing the chain and chain bar

After prolonged use the chain and /or chain bar may need replacing. Ensure only Black & Decker recommended replacements are used.

## Removing the saw chain & chain bar (figs. A & B)

**Warning!** Always wear protective gloves when installing or removing the saw chain. The saw chain is sharp and can cut you when it is not running.

**Warning!** Guide bar and chain may be hot after use. Allow to cool before replacing.

- ◆ Place the tool on a firm surface.
- ◆ Rotate the two retention nuts (11) counter clockwise with spanner (2) provided and remove completely.
- ◆ Remove the chain access cover (12).
- ◆ Open the handles and pull back the top jaw (6).
- ◆ Pull back chain bar (8) and then lift the saw chain (9) out of the groove in the guide bar. The chain can then be removed from the unit.
- ◆ The chain bar can then be angled up and over the bolts.

## Assembling the chain bar and chain (figs. C & D)

**Warning!** Always wear protective gloves when installing or removing the saw chain. The saw chain is sharp and can cut you when it is not running.

- ◆ Ensure the operation is carried out on a firm surface.
- ◆ Open the handles and pull back the top jaw (6).



- ◆ Insert the chain bar (8) into the space between the chain tensioner and the first bolt, angle the chain bar down over the bolts.
- ◆ Place the chain (9) around the front of the chain bar and engage in the nose sprocket of the chain bar.
- ◆ Pull the chain bar and chain back, engaging it in the groove in the chain bar and then over the sprocket (14) positioning teeth in the correct position on the sprocket.
- ◆ Replace the chain access cover (12) and retention nuts (11) tightening securely.

## Use

**Warning!** Let the tool work at its own pace. Do not overload.

- ◆ Carry out regular cleaning of the unit as described in the maintenance section and in particular cleaning inside the chain access cover.
- ◆ The lower jaw (7) and top jaw (6) are designed to close when one of the handles is released or when the piece of branch being cut has been cut. If this does not occur, discontinue use of the tool and remove the plug from the socket. Check if any debris is blocking movement. To help in this process it may be necessary to remove chain access cover (12). If on assembly the problem is still present return the unit to an authorised service centre.

## Oiling (fig. E)

- ◆ Before first use and every ten minutes of use you must oil the product with the correct chain oil. (Cat No A6027) Open the oiling cover (10) and insert the bottle into the oil filling hole (15), apply pressure to the bottle once to dispense oil.
- ◆ This should be adequate for about 10 minutes of cutting depending upon cutting speed and type of wood.
- ◆ The hole feeds the oil through to the chain on to the chain bar and an excessive amount of oil applied to the unit could mean the oil drips from the unit around the jaw area. This is normal and is nothing to be concerned about.

## Switching on and off

**Warning!** Never attempt to lock or fix a switch actuator in the on position.

For your safety, this tool is equipped with a double switching system. This system prevents starting the tool inadvertently.

## Switching on (fig. F)

Ensure a firm grip on the handles and then squeeze both switch actuators to switch the unit on.

## Switching off (fig. F)

Release either of the switches.

**Note:** Both switches must be activated for the product to be used.

Do not force the tool - allow it to do the work. It will do a better and safer job at the speed for which it is designed. Excessive force will stretch the chain.

If the saw chain or bar becomes jammed:

- ◆ Switch the tool off.
- ◆ Disconnect the tool from the mains supply.
- ◆ Open the cut with wedges to relieve the strain on the guide bar. Do not try to wrench the saw free. Start a fresh cut.

## Trimming branches (fig. G)

Ensure that there are no local by-laws or regulations that would prohibit or control the trimming of the tree limbs.

- ◆ Make sure the tool is running at full speed before making a cut.
- ◆ Hold the tool firmly in place to avoid possible bouncing or sideways movement of the tool.
- ◆ Guide the tool using light pressure.
- ◆ Always cut down from the top. This way you will avoid pinching the saw chain.
- ◆ Remove branches as shown in Fig G. Starting from the branch tip, reduce the branch in logical steps cutting off small sections.
- ◆ Remove the tool from the cut while it is running at full speed.

## Maintenance

Your Black & Decker tool has been designed to operate over a long period of time with a minimum of maintenance. Continuous satisfactory operation depends upon proper tool care and regular cleaning.

**Warning!** Before performing any maintenance or cleaning of the tool, unplug the unit from the power supply.

## Cleaning

- ◆ Regularly remove the chain access cover and remove any debris that has become trapped.
- ◆ Regularly clean the ventilation slots with a clean, dry paint brush.
- ◆ To clean the tool, use only mild soap and a damp cloth. Never let any liquid get inside the tool and never immerse any part of the tool into liquid.

## Oiling

- ◆ Regularly oil the oiling points (15) as indicated in figure B.

## Transport

- ◆ Always transport the tool with the jaws closed.

## Storage

- ◆ When the tool will not be used for several months, wipe any metal components with oil.
- ◆ Store the tool in a secure and dry location. The storage temperature must always remain in the range of + 5 °C to + 40 °C. Place the product on a level safe location.

## Mains plug replacement (U.K. & Ireland only)

If a new mains plug needs to be fitted:

- ◆ Safely dispose of the old plug.
- ◆ Connect the brown lead to the live terminal in the new plug.
- ◆ Connect the blue lead to the neutral terminal.

**Warning!** No connection is to be made to the earth terminal. Follow the fitting instructions supplied with good quality plugs. Recommended fuse: 5 A.

## Protecting the environment



Should you find one day that your tool needs replacement, or if it is of no further use to you, think of the protection of the environment. Black & Decker repair agents will accept old Black & Decker tools and ensure that they are disposed of in an environmentally safe way.



Separate collection of used products and packaging allows materials to be recycled and used again. Re-use of recycled materials helps prevent environmental pollution and reduces the demand for raw materials.

Local regulations may provide for separate collection of electrical products from the household, at municipal waste sites or by the retailer when you purchase a new product.

Black & Decker provides a facility for the collection and recycling of Black & Decker products once they have reached the end of their working life. To take advantage of this service please return your product to any authorised repair agent who will collect them on our behalf.

You can check the location of your nearest authorised repair agent by contacting your local Black & Decker office at the address indicated in this manual. Alternatively, a list of authorised Black & Decker repair agents and full details of our after-sales service and contacts are available on the Internet at: [www.2helpU.com](http://www.2helpU.com).

## Technical data

		GK1000	GK1050
Voltage	$V_{AC}$	230	230
Power input	W	550	600
Chain speed (No-load)	m/s	2.3	2.3
Maximum diameter of cut	mm	100	100
Weight	kg	3	3

## EC declaration of conformity

GK1000/GK1050

Black & Decker declares that these products conform to: 98/37/EC, 89/336/EEC, EN 60745, EN 55014, EN61000, EN60335, 2000/14/EC, Chainsaw  $\leq$  600 W, Annex V Guaranteed sound pressure level, measured according to 2000/14/EC:

$L_{pA}$  (sound pressure) 87 dB(A),

$L_{WA}$  (acoustic power) 98 dB(A),

$L_{WA}$  (guaranteed) 105 dB(A),

hand/arm weighted vibration 2.6 m/s<sup>2</sup>

Kevin Hewitt  
Director of Consumer Engineering  
Spennymoor, County Durham DL16 6JG,  
United Kingdom  
1-5-2005

The Alligator™ Lopper is the subject of patent and design applications in Europe, the United States and other countries around the world. ALLIGATOR is a trade mark of The Black & Decker Corporation.

## Guarantee

Black & Decker is confident of the quality of its products and offers an outstanding guarantee. This guarantee statement is in addition to and in no way prejudices your statutory rights. The guarantee is valid within the territories of the Member States of the European Union and the European Free Trade Area.

If a Black & Decker product becomes defective due to faulty materials, workmanship or lack of conformity, within 24 months from the date of purchase, Black & Decker guarantees to replace defective parts, repair products subjected to fair wear and tear or replace such products to ensure minimum inconvenience to the customer unless:

- ◆ The product has been used for trade, professional or hire purposes.
- ◆ The product has been subjected to misuse or neglect.
- ◆ The product has sustained damage through foreign objects, substances or accidents.
- ◆ Repairs have been attempted by persons other than authorised repair agents or Black & Decker service staff.

To claim on the guarantee, you will need to submit proof of purchase to the seller or an authorised repair agent. You can check the location of your nearest authorised repair agent by contacting your local Black & Decker office at the address indicated in this manual. Alternatively, a list of authorised Black & Decker repair agents and full details of our after-sales service and contacts are available on the Internet at:

**[www.2helpU.com](http://www.2helpU.com)**.

Please visit our website **[www.blackanddecker.co.uk](http://www.blackanddecker.co.uk)** to register your new Black & Decker product and to be kept up to date on new products and special offers. Further information on the Black & Decker brand and our range of products is available at **[www.blackanddecker.co.uk](http://www.blackanddecker.co.uk)**.



**Australia**

Black & Decker (Australia) Pty. Ltd. Tel. 03-8720 5100  
20 Fletcher Road, Mooroolbark, Fax 03-9727 5940  
Victoria, 3138

**New Zealand**

Black & Decker Tel. 09 579 7600  
81 Hugo Johnston Drive Fax 09 579 8200  
Penrose, Auckland, New Zealand

**United Kingdom**

Black & Decker Tel. 01753 511234  
210 Bath Road Fax 01753 551155  
Slough, Berkshire SL1 3YD Helpline 01753 574277