

Intended use

Your Black & Decker lawnmower has been designed for raking lawns to remove debris, thatch, moss and weeds which can disfigure a lawn. This tool is intended for consumer use only.

Safety instructions

Warning! When using mains-powered appliances, basic safety precautions, including the following, should always be followed to reduce the risk of fire, electric shock and personal injury.

- ◆ Read all of this manual carefully before operating the appliance.
- ◆ Before operating the appliance, make sure that you know how to switch it off in an emergency.
- ◆ Retain this manual for future reference.

Training

- ◆ Read the instructions carefully. Be familiar with the controls and the proper use of the appliance.
- ◆ Do not allow children or any person unfamiliar with these instructions to operate the appliance. Local regulations may restrict the age of the operator.
- ◆ Never use the appliance while people, especially children, or pets are nearby.
- ◆ Remember that the operator will be held responsible for accidents or hazards occurring to other people or their property.

Preparation

- ◆ Wear stout shoes or boots to protect your feet. Do not operate the appliance wearing open-toed sandals or when barefoot. Wear long trousers to protect your legs.
- ◆ Wear safety glasses or goggles when operating this tool. Use a face or dust mask whenever the operations take place in dusty surroundings. Hearing protection should be worn whenever the sound level seems uncomfortable.
- ◆ Guard against electric shock. Prevent body contact with earthed or grounded surfaces (e.g. metal railings, lampposts, etc.).
- ◆ Before starting the operation, check that your raking path is free from sticks, stones, wire and any other objects.

Operation

- ◆ Never operate the appliance with defective guards or shields, or without safety devices, for example deflectors and/or grass catchers, in place.
- ◆ Only use the appliance in daylight or good artificial light.

- ◆ Do not expose the appliance to rain. Do not use the appliance in damp or wet conditions. Preferably do not use the appliance in wet grass.
- ◆ Be sure of your footing, particularly on slopes. Be aware that freshly cut grass is damp and slippery. Do not work on steep slopes.
- ◆ Work across the face of slopes, never up and down. Take extreme caution when changing direction on slopes.
- ◆ Walk, never run when using the appliance. Do not pull the appliance towards you or walk backwards when using the appliance.
- ◆ Switch on the appliance according to instructions and with your feet well away from the tines.
- ◆ Do not tilt appliance when switching it on, except if the appliance has to be tilted for starting. In that case, do not tilt the appliance more than absolutely necessary and lift only the part that is away from the operator. Always ensure that both hands are in the operating position before returning the appliance to the ground.
- ◆ Switch off the appliance and wait for the tines assembly to stop running if the appliance has to be tilted for transportation when crossing surfaces other than grass, and when transporting the appliance to and from the area to be raked.
- ◆ Do not lift or carry the appliance until the tines have come to a complete standstill.
- ◆ Keep your hands and feet well away from the tines. Do not put your hands or feet near or under rotating parts.
- ◆ Keep away from discharge openings at all times.
- ◆ Switch off, remove the plug from the socket and ensure that moving parts have stopped rotating before leaving the appliance unattended and before changing, cleaning or inspecting any parts of the appliance or clearing a blockage.
- ◆ If the appliance starts to vibrate abnormally or if you hit a foreign object, switch the appliance off and remove the plug from the socket. Check for any damage to the appliance.
- ◆ Take care to keep the mains cable away from the tines. Always be aware of the position of the cable.
- ◆ The motor will continue to run for a few seconds after switching the appliance off. Never attempt to force the tines to come to a standstill.

Maintenance and storage

- ◆ Before use, check the appliance for damaged or defective parts. Check for misalignment and seizure of moving parts, breakage of parts, damage to guards and switches and any other conditions that may affect its operation. Ensure that the appliance will operate properly and perform its intended function. Never use

the appliance when any guard or enclosure is damaged or not in place. Do not use the appliance if any part is damaged or defective. Do not use the appliance if the switch does not turn it on and off. Have any damaged or defective parts repaired or replaced by an authorised repair agent.

- ◆ Check the cable frequently for damage. If the cable is damaged, it must be replaced by an authorised repair agent in order to prevent a hazard. Inspect extension cables periodically. Replace a damaged extension cable immediately.
- ◆ Keep all nuts, bolts and screws on the appliance tight to ensure a safe working condition.
- ◆ Check the grass box for wear or damage and replace it if necessary. Never use the appliance without the grass box.
- ◆ When not in use, the appliance should be stored in a dry place. Children should not have access to stored appliances.
- ◆ Ensure that only replacement cutting means of the right type are used.
- ◆ Use only Black & Decker recommended spare parts and accessories.

Safety of others

- ◆ This appliance is not intended for use by persons (including children) with reduced physical, sensory or mental capabilities, or lack of experience and knowledge, unless they have been given supervision or instruction concerning the use of the appliance by a person responsible for their safety.
- ◆ Children should be supervised to ensure that they do not play with the appliance.

Additional safety instructions for Australia and New Zealand

- ◆ This appliance is not intended for use by young or infirm persons without supervision. Children must be supervised to ensure they do not play with the appliance.
- ◆ If the supply cord is damaged, it must be replaced by the manufacturer or an authorised Black & Decker Service Centre in order to avoid a hazard.

Warning symbols

The following warning symbols are found on the appliance:



Read the manual prior to operation.



Do not expose the appliance to rain or high humidity.



Keep bystanders away.



Beware of the sharp tines. Tines continue to rotate after the motor is switched off - remove plug from mains before maintenance or if the cord is damaged.



Keep the cable away from the cutting tines.



The tines will continue to rotate after the machine is switched off.

Electrical safety



This tool is double insulated; therefore no earth wire is required. Always check that the power supply corresponds to the voltage on the rating plate.

- ◆ If the supply cord is damaged, it must be replaced by the manufacturer or an authorised Black & Decker Service Centre in order to avoid a hazard
- ◆ Electric safety can be further improved by using a high-sensitivity 30 mA Residual Current Device (RCD).

Using an extension cable

Always use an approved extension cable suitable for the power input of this tool (see technical data). The extension cable must be suitable for outdoor use and marked accordingly. Up to 30 m of 1.5 mm² HO5V V-F extension cable can be used without loss of product performance. Before use, inspect the extension cable for signs of damage, wear and ageing. Replace the extension cable if damaged or defective. When using a cable reel, always unwind the cable completely.

Features

1. Grass box
2. Motor cover
3. Switch box
4. Lock-off button
5. Switch lever

Assembly

Warning! Before assembly, make sure that the appliance is switched off and unplugged.

Assembling the upper handle (fig. A)

- ◆ Make sure that the cable restraint loop is fitted to the upper handle prior to assembly.
- ◆ Fit the lower handle part (7) to the upper handle (6) using the knobs (10), washers (9) and screws (8) as shown.

Fitting the lower handle (fig. C)

- ◆ Insert the ends of the lower handle (7) into the corresponding holes in the raker.
- ◆ Press the handle down as far as it will go.
- ◆ Secure the handle using the screws (12).

Fixing the cable (fig. B)

The motor cable has to be fixed using the cable restraints.

- ◆ Clip the one restraint (11) onto the cable leading from the switchbox (3) to the motor. Secure the restraint to the lower handle (7).
- ◆ Clip the other restraint (11) onto the cable leading from the switchbox (3) to the motor plug. Secure the restraint to the upper handle (7).

Warning! Make sure the cable is secured using the cable restraints prior to connecting the plug to the mains outlet.

Fitting the grass box (fig. D)

- ◆ With your lawnmower in its working position, place the grass box (1) over the lugs at the front of the lawnmower.

Height of rake adjustment (Fig. E)

There are three raking height positions on your raker; low, medium and high. These are selected by altering the position of the three-position height adjuster located on the rear roller (13).

- ◆ Press the lock button on the three-position height adjuster and rotate the adjuster to any of the three available positions as shown in Fig. E. On reaching the

required position, release the lock button and allow it to engage in your raker body (2).

- ◆ The three positions are identified by markings on the side of your raker body as shown in Fig. E.

The three raking height positions are as follows:

- ◆ **Lowest setting (1).** This setting should be used when you wish to give the lawn a particularly vigorous raking. On this setting, your raker will remove all the debris and thatch that has collected at the base of your grass. It will also remove moss and weeds on this setting.
- ◆ **Medium setting (2).** This setting should be used when you wish to give your lawn a moderate raking. This setting will be suitable for the majority of lawns.
- ◆ **Highest setting (3).** This setting will lightly rake and sweep your lawn. Your raker can also be used on this setting to 'lift' flattened grass and stolons (the creeping stems of grasses and weeds like clover) so that you can mow them. The sweep/light rake setting is ideal for fallen leaves and for collecting grass cuttings which have been left on the lawn after mowing.

Residual risks

Additional residual risks may arise when using the tool which may not be included in the enclosed safety warnings. These risks can arise from misuse, prolonged use etc.

Even with the application of the relevant safety regulations and the implementation of safety devices, certain residual risks cannot be avoided. These include:

- ◆ Injuries caused by touching any rotating/moving parts.
- ◆ Injuries caused when changing any parts, blades or accessories.
- ◆ Injuries caused by prolonged use of a tool. When using any tool for prolonged periods make sure you take regular breaks.
- ◆ Impairment of hearing.
- ◆ Health hazards caused by breathing dust developed when using your tool (example:- working with wood, especially oak, beech and MDF).

Use

Switching on and off

Switching on

- ◆ Hold the handle with both hands and tilt it slightly downwards to raise the front of the appliance.
- ◆ Press the lock-off button (4) and pull the switch lever (5) towards you.
- ◆ Release the lock-off button (4).
- ◆ Let the appliance return to its working position.

Switching off

- ◆ To switch the appliance off, release the switch lever (5).

Never attempt to lock a switch in the on position.

Warning! Let the appliance work at its own pace. Do not overload.

To look after a lawn properly, you need to do more than just mow it once a week throughout the Summer. The lawn will benefit from a vigorous raking of the grass to remove the dead matter, moss and weed which disfigures a lawn. The build up of dead grass provides a mat of absorbent fibres which prevents water getting through to the ground and if this mat is kept waterlogged, it can encourage grass diseases and prevent healthy grasses taking root.

- ◆ Place the bulk of the extension cable on the lawn close to the starting point (Fig. G, position 1).
- ◆ Hold the handle with both hands and hold the upper portion of the extension cable in the hand not operating the switch lever.

Warning! Do not attempt to operate your raker with one hand - you must guide it with both hands.

- ◆ Switch on as described above.
- ◆ Proceed down the raking area from position 1 towards position 2 and, on reaching position 2, turn to the right and proceed towards position 3. Continue to the end of the raking area, turn to the left, and proceed towards position 4.
- ◆ Continue in the same manner as shown in the left hand diagram, always working away from the cable. Do not adopt the method shown in the right hand diagram, working towards the cable, as this is dangerous practice.

When you have finished using your raker we recommend that you clean all debris from it before putting it away. Refer to the "Maintenance" section in this manual.

Note: To obtain the best results rake your lawn or grassed area regularly and do not rake when the grass is wet.

- ◆ When raking over the edge of your lawn, press downwards on the handle to stop the wheels dropping over the edge.
- ◆ To prolong the effective raking life of your tine assembly, clear the lawn area of any loose debris or stones.

Warning! Do not connect a damaged cord to the supply or touch a damaged cord before it is disconnected from the supply. A damaged cord can lead to contact with live parts.

Warning! Do not touch the tines before the machine is disconnected from the supply and the tines have come to a complete stop.

Warning! Children should be supervised to ensure that they do not play with the appliance.

Warning! This appliance is not intended for use by persons (including children) with reduced physical, sensory or mental capabilities, or lack of experience and knowledge, unless they have been given supervision or instruction concerning the use of the appliance by a person responsible for their safety.

Hints for optimum use

Do not force your raker through grass that is too long. It is recommended that your raker should not be used in grass that is longer than 75mm (3 inches) in length.

- ◆ Do not use in wet or damp conditions.
- ◆ To obtain the best result from your raker use it regularly. It is recommended that your raker is used at the beginning and end of each grass cutting season to give your lawn a thorough scarifying. Your raker should also be used after each mowing session to remove any grass cuttings that may have been left behind by your raker.
- ◆ Rake first in one direction and then at the next occasion at right angles. Initially, this may make the grass look bare and straggly but it will rapidly recover.

Maintenance

Your Black & Decker appliance has been designed to operate over a long period of time with a minimum of maintenance. Continuous satisfactory operation depends upon proper appliance care and regular cleaning.

- ◆ Keep the appliance clean and dry.
- ◆ Regularly clean the ventilation slots with a clean, dry paint brush.
- ◆ Regularly use a blunt scraper to remove grass and dirt from the appliance.
- ◆ To clean the appliance, use only mild soap and a damp cloth. Never let any liquid get inside the tool and never immerse any part of the tool into liquid. Do not use any abrasive or solvent-based cleaner.

Troubleshooting

If your appliance seems not to operate properly, follow the instructions below. If this does not solve the problem, please contact your local Black & Decker repair agent.

Warning! Before proceeding, remove the plug from the socket.

Motor buzzes but the tine assembly does not move

- ◆ Carefully remove any obstructions from the tines.

No noise and tine assembly does not move

- ◆ Check that the power cables are properly connected.
- ◆ Check the mains fuses.

Mains plug replacement (U.K. & Ireland only)

If a new mains plug needs to be fitted:

- ◆ Safely dispose of the old plug.
- ◆ Connect the brown lead to the live terminal in the new plug.
- ◆ Connect the blue lead to the neutral terminal.

Warning! No connection is to be made to the earth terminal. Follow the fitting instructions supplied with good quality plugs. Recommended fuse: 13 A.

Protecting the environment



Separate collection. This product must not be disposed of with normal household waste.



Separate collection of used products and packaging allows materials to be recycled and used again. Re-use of recycled materials helps prevent environmental pollution and reduces the demand for raw materials.

Local regulations may provide for separate collection of electrical products from the household, at municipal waste sites or by the retailer when you purchase a new product.

Black & Decker provides a facility for the collection and recycling of Black & Decker products once they have reached the end of their working life. To take advantage of this service please return your product to any authorised repair agent who will collect them on our behalf.

You can check the location of your nearest authorised repair agent by contacting your local Black & Decker office at the address indicated in this manual. Alternatively, a list of authorised Black & Decker repair agents and full details of our after-sales service and contacts are available on the Internet at: www.2helpU.com.

Technical data	GD300	GD300X
	TYPE 1	TYPE 1
Voltage	Vac 230	230
Power input	W 600	500
No-load speed	min ⁻¹ 3000	3000
Height adjustment	cm -2/3/8	-2/3/8
Weight	kg 7.9	7.9

Level of sound pressure:
Sound pressure (L_{pA}) 76 dB(A), uncertainty (K) 3 dB(A)
Sound power (L_{WA}) 95 dB(A), uncertainty (K) 3 dB(A)
Vibration total values (triax vector sum) according to EN 13684:
Vibration emission value (a_{Hv}) <2.5 m/s ² , uncertainty (K) 1.5 m/s ²

EC declaration of conformity

MACHINERY DIRECTIVE
OUTDOOR NOISE DIRECTIVE



GD300, GD300X

Black & Decker declares that these products described under "technical data" are in compliance with:

2006/42/EC

EN60335-1, EN60335-2-92

2000/14/EC, Scarifier, Annex V,

Level of sound power according to 2000/14/EC (Article 13, Annex III):

L_{WA} (measured sound power) 95 dB(A)

Uncertainty = 3 dB(A)

L_{WA} (guaranteed sound power) 98 dB(A)

Uncertainty = 3 dB(A)

These products also comply with Directive 2004/108/EC and 2011/65/EU

For more information, please contact Black & Decker at the following address or refer to the back of the manual.

The undersigned is responsible for compilation of the technical file and makes this declaration on behalf of Black & Decker.

Kevin Hewitt
Vice-President Global Engineering
Black & Decker Europe,
210 Bath Road, Slough,
Berkshire, SL1 3YD
United Kingdom
29/10/2012

Guarantee

Black & Decker is confident of the quality of its products and offers an outstanding guarantee. This guarantee statement is in addition to and in no way prejudices your statutory rights. The guarantee is valid within the territories of the Member States of the European Union and the European Free Trade Area.

If a Black & Decker product becomes defective due to faulty materials, workmanship or lack of conformity, within 24 months from the date of purchase, Black & Decker guarantees to replace defective parts, repair products subjected to fair wear and tear or replace such products to make sure of the minimum inconvenience to the customer unless:

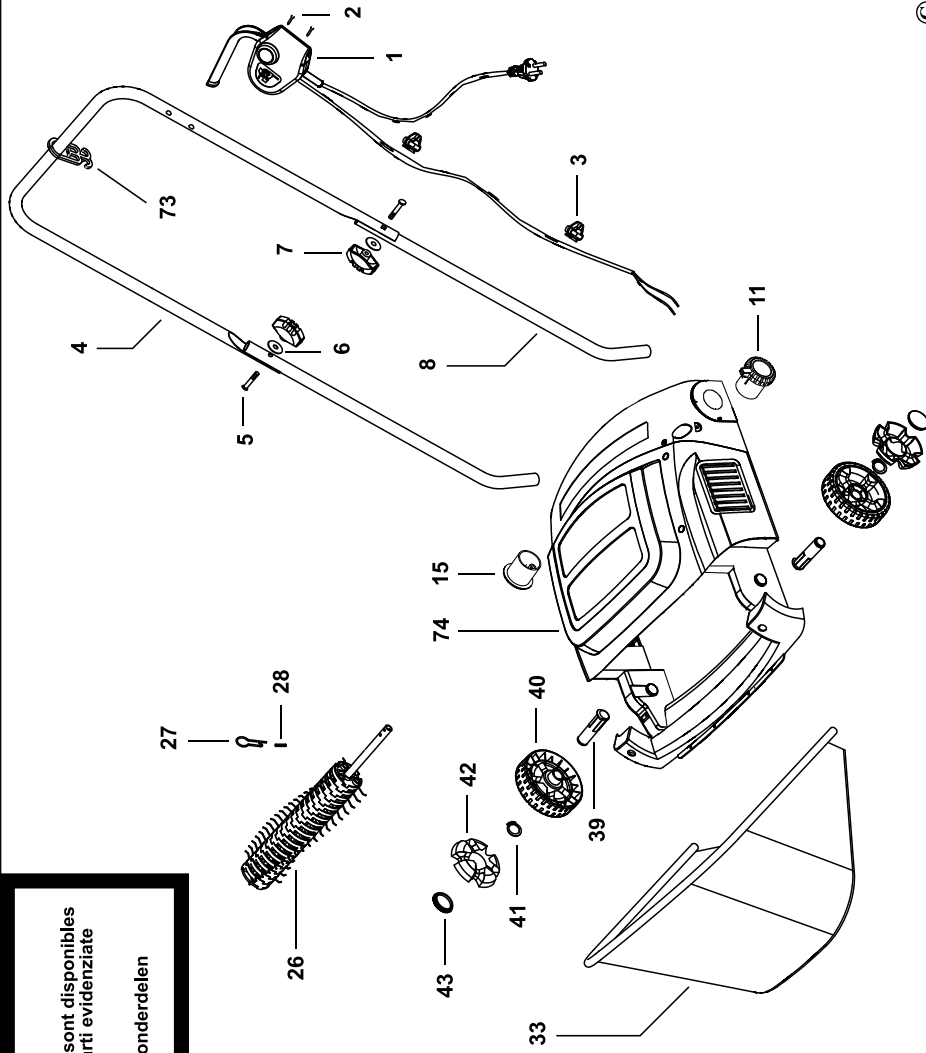
- ◆ The product has been used for trade, professional or hire purposes.
- ◆ The product has been subjected to misuse or neglect.
- ◆ The product has sustained damage through foreign objects, substances or accidents.
- ◆ Repairs have been attempted by persons other than authorised repair agents or Black & Decker service staff.

To claim on the guarantee, you will need to submit proof of purchase to the seller or an authorised repair agent. You can check the location of your nearest authorised repair agent by contacting your local Black & Decker office at the address indicated in this manual. Alternatively, a list of authorised Black & Decker repair agents and full details of our after-sales service and contacts are available on the Internet at:

www.2helpU.com

Please visit our website **www.blackanddecker.co.uk** to register your new Black & Decker product and to be kept up to date on new products and special offers. Further information on the Black & Decker brand and our range of products is available at **www.blackanddecker.co.uk**.

Partial support - Only parts shown available
Nur die aufgeführten teile sind lieferbar
Reparation partielle - Seules les pieces indiquees sont disponibles
Supporto parziale - Sono disponibili soltanto le parti evidenziate
Solo estan disponibles las peizas listadas
So se encontram disponibles as pecas listadas
Gedeeltelijke ondersteuning - alleen de getoonde onderdelen
zijn beschikbaar



Australia

Black & Decker (Australia) Pty. Ltd.
20 Fletcher Road, Mooroolbark,
Victoria, 3138

Tel. 03-8720 5100
Fax 03-9727 5940

New Zealand

Black & Decker
5 Te Apunga Place
Mt Wellington
Auckland 1060

Tel. +64 9 259 1133
Fax +64 9 259 1122

United Kingdom

Black & Decker
210 Bath Road
Slough, Berkshire SL1 3YD

Tel. 01753 511234
Fax 01753 551155
Helpline 01753 574277

ENGLISH

Do not forget to register your product!

www.blackanddecker.co.uk/productregistration

Register your product online at **www.blackanddecker.co.uk/productregistration** or send your name, surname and product code to Black & Decker in your country.