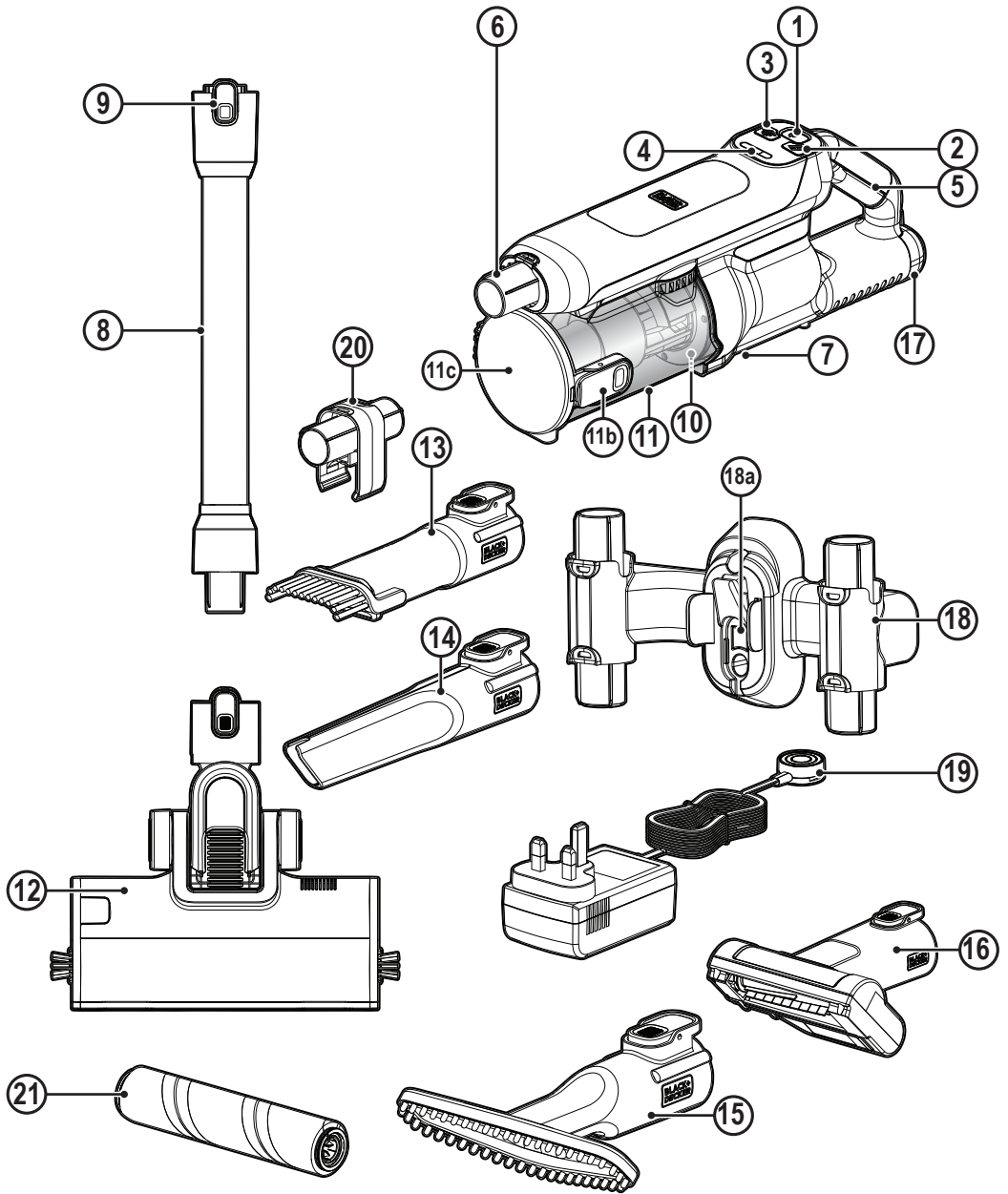
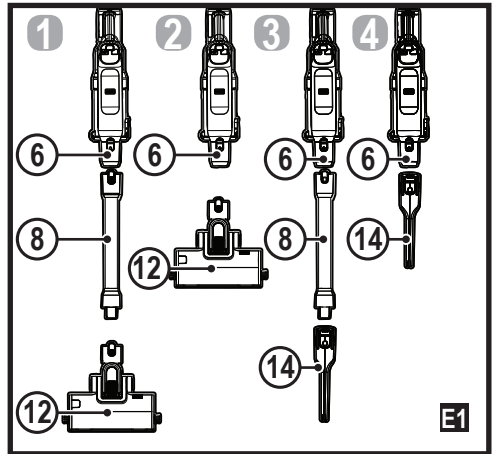
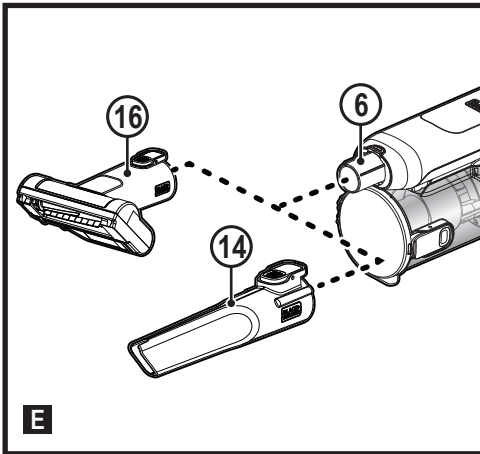
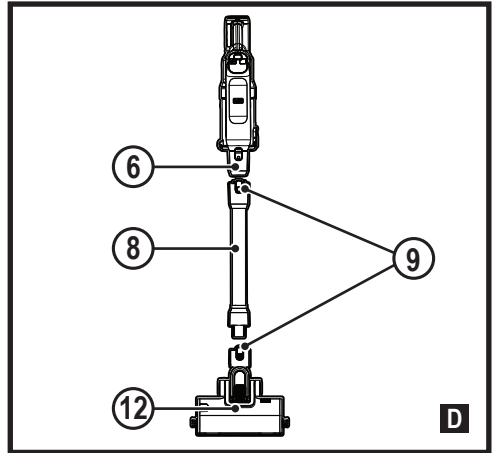
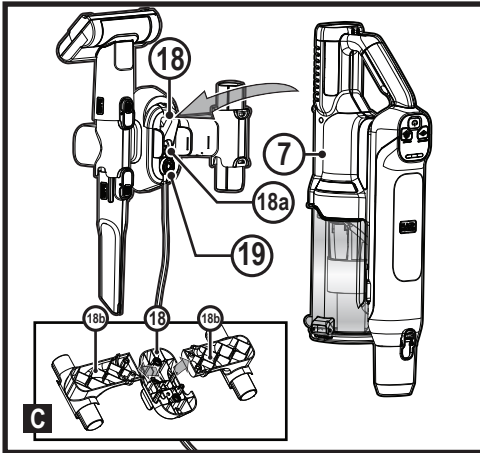
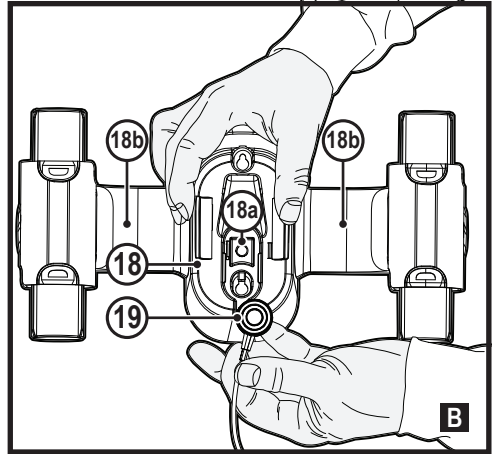
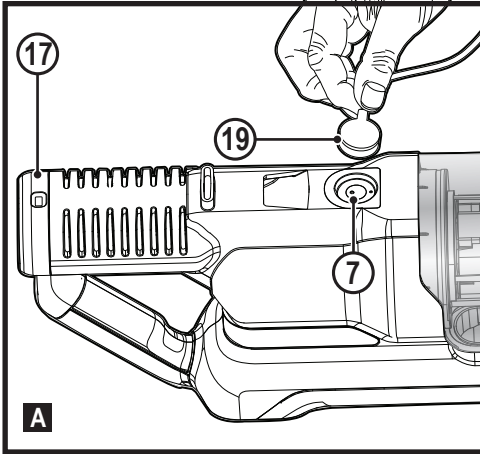
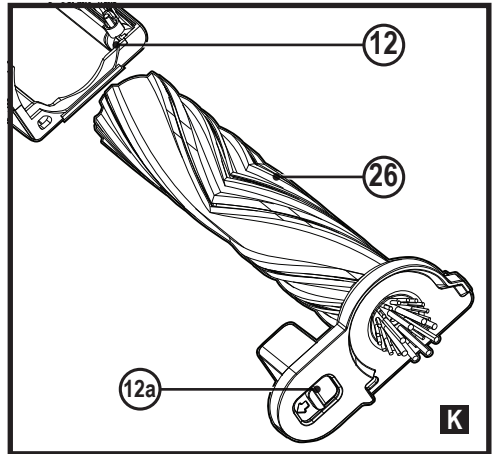
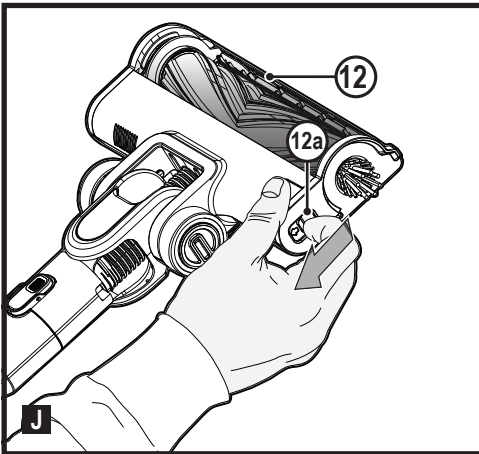
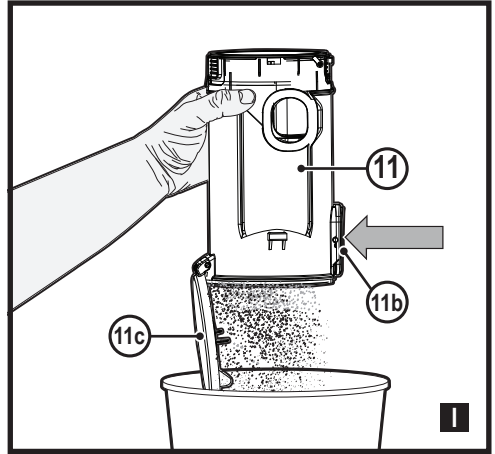
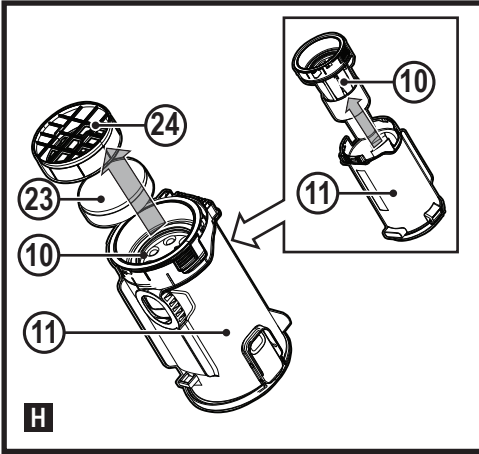
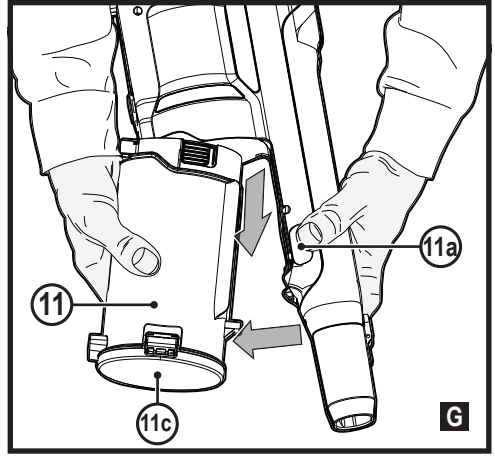
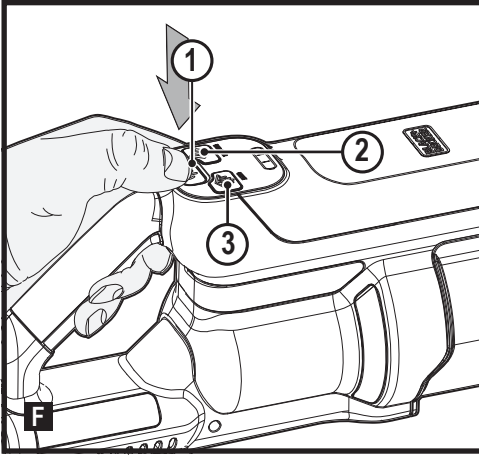


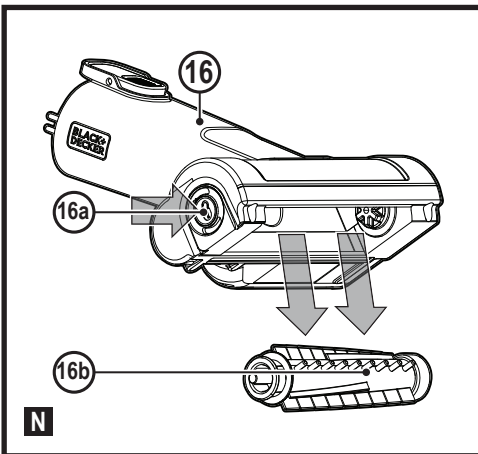
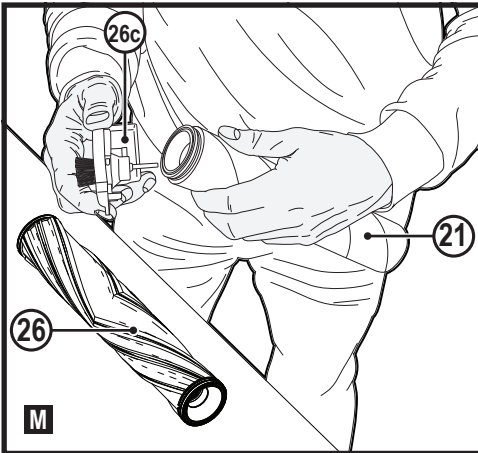
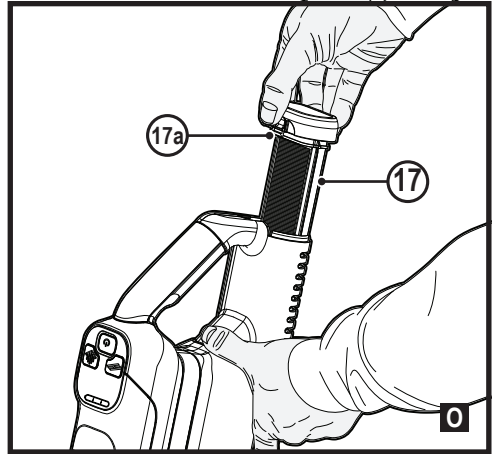
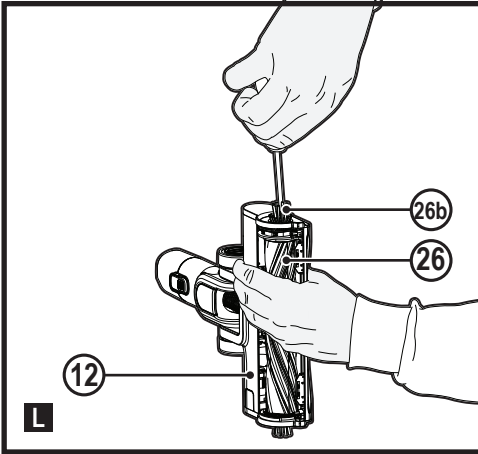
www.blackanddecker.co.uk

BHFEA640W
BHFEA640WG
BHFEA640WP









Intended use

Your BLACK+DECKER BHFEA640W, BHFEA640WG and BHFEA640WP cordless vacuum cleaners have been designed for vacuum cleaning purposes. These appliances are intended for household use only.



Read all of this manual carefully before operating the appliance.

Safety instructions



Warning! Read all safety warnings and all instructions.

Failure to follow the warnings and instructions listed below may result in electric shock, fire and/or serious injury.

- ◆ The intended use is described in this manual. The use of any accessory or attachment or the performance of any operation with this appliance other than those recommended in this instruction manual may present a risk of personal injury.
- ◆ Retain this manual for future reference.

- ◆ This appliance contains batteries that are only replaceable by skilled persons.

Using your appliance

- ◆ Do not use the appliance to pick up liquids or any materials that could catch fire.
- ◆ Do not use without dust bag and/or filters in place
- ◆ Do not use the appliance near water.
- ◆ Do not immerse the appliance in water.
- ◆ Never pull the charger lead to disconnect the charger from the socket.
- ◆ Keep the charger lead away from heat, oil and sharp edges.
- ◆ Keep hair, loose clothing, fingers, and all parts of body away from openings and moving parts.
- ◆ This appliance can be used by children aged from 8 years and above and persons with reduced physical, sensory or mental capabilities or lack of experience and knowledge if they have been given supervision or instruction concerning use of the appliance in a safe way and understand the hazards involved. Children shall not play with the appliance. Cleaning and user maintenance shall not be made by children without supervision.

Inspection and repairs

Before use, check the appliance for damaged or defective parts.

Check for breakage of parts, damage to switches and any other conditions that may affect its operation.

- ◆ Do not use the appliance if any part is damaged or defective.
- ◆ Have any damaged or defective parts repaired or replaced by an authorized repair agent.
- ◆ Regularly check the charger lead for damage. Replace the charger if the lead is damaged or defective.
- ◆ Never attempt to remove or replace any parts other than those specified in this manual.

Additional safety instructions

After use

- ◆ Unplug the charger before cleaning the charger or charging base.
- ◆ When not in use, the appliance should be stored in a dry place.
- ◆ Children should not have access to stored appliances.

Residual risks

Additional residual risks may arise when using the tool which may not be included in the enclosed safety warnings. These risks can arise from misuse, prolonged use etc.

Even with the application of the relevant safety regulations and the implementation of safety devices, certain residual risks can not be avoided. These include:

- ◆ Injuries caused by touching any rotating/moving parts.

- ◆ Injuries caused when changing any parts, blades or accessories.
- ◆ Injuries caused by prolonged use of a tool. When using any tool for prolonged periods ensure you take regular breaks.
- ◆ Impairment of hearing.
- ◆ Health hazards caused by breathing dust developed when using your tool (example:- working with wood, especially oak, beech and MDF.)

Chargers

Your charger has been designed for a specific voltage. Always check that the mains voltage corresponds to the voltage on the rating plate and the information in the technical data table.

Warning! Never attempt to replace the charger unit with a regular mains plug.

- ◆ Use your BLACK+DECKER charger only to charge the battery in the appliance/tool with which it was supplied. Other batteries could burst, causing personal injury and damage.
- ◆ Never attempt to charge non-rechargeable batteries.
- ◆ If the supply cord is damaged, it must be replaced by the manufacturer or an authorised BLACK+DECKER Service Centre in order to avoid a hazard.
- ◆ Do not expose the charger to water.
- ◆ Do not open the charger.
- ◆ Do not probe the charger.
- ◆ The appliance/tool/battery must be placed in a well ventilated area when charging.

Electrical safety

Symbols on the charger



Read all of this manual carefully before using the appliance.



This tool is double insulated; therefore no earth wire is required. Always check that the power supply corresponds to the voltage on the rating plate.



The charging base is intended for indoor use only.

Chargers

BLACK+DECKER chargers require no adjustment and are designed to be as easy as possible to operate.

BLACK+DECKER chargers are designed to charge BLACK+DECKER battery packs.

Note: To ensure maximum performance and life of lithium ion battery packs:

- ◆ Fully charge the battery pack before first use.
- ◆ Recharge discharged batteries as soon as possible after every use.
- ◆ Do not fully discharge batteries.

Warning! The charger will not charge a faulty battery pack, which may be indicated by the battery charge indicator lights (4) rapidly blinking. Take charger and battery pack to an authorized service centre if light stays OFF.

Important Charging Notes

- ◆ The charger and battery pack may become warm to the touch while charging.
This is a normal condition, and does not indicate a problem. To facilitate the cooling of the battery pack after use, avoid placing the charger or battery pack in a warm environment such as in a metal shed or an uninsulated trailer.
- ◆ If the battery pack does not charge properly:
 - a. Check operation of receptacle by plugging in a lamp or other appliance;
 - b. Check to see if receptacle is connected to a light switch which turns power off when you turn out the lights;
 - c. If charging problems persist, take the tool, battery pack and charger to your local service centre.
- ◆ You may charge a partially used pack whenever you desire with no adverse effect on the battery pack.

Labels on appliance

The following symbols appear on this appliance along with the date code (33)



Read all of this manual carefully before using the appliance



Keep hair away from brushes, openings and other moving parts.



use charger S033GB3300100 for UK
use charger S033GV3300100 for EU

- ◆ Align the circular magnetic contact (19) from the charger onto the charge point of the unit (7)
- ◆ Plug the charger into an appropriate electrical outlet
- ◆ The blue LED (4) on the vacuum display will flash indicating that the battery is being charged.
- ◆ The blue LEDs (4) will illuminate in segments, displaying the state of charge of the unit
- ◆ The completion of charge is indicated by the blue LEDs (4) turning off. The unit is fully charged and may be used at this time or left on the charger.

Features

This tool includes some or all of the following features.

1. On/off power button
2. Hard floor speed button
3. Carpet speed button
4. Battery charge indicator
5. Main handle
6. Vacuum inlet
7. Charge port
8. Extension pole
9. Extension pole release button
10. Pre filter
11. Lift away dust canister
- 11a. Dust canister release button
- 11b. Dust canister door release button
12. Floor head
13. 2 in 1 accessory tool
14. Crevice tool
15. Pet head (Only available with BHFEA640WP unit)
16. Powered pet head (Only available with BHFEA640WP unit)
17. Exhaust filter
18. Wall mounted charging and accessory storage station
19. Charger
20. On pole storage attachment
21. Soft beater bar (Only available with BHFEA640WP unit)

Use

Charging the battery (Fig. A - C)

The supplied charger offers two possible ways to charge your battery.

- ◆ Unit charging
- ◆ Unit wall mounted charging

Warning! Do not charge the battery at ambient temperatures below 4 °C or above 40 °C. Follow all charging instructions and do not charge the appliance outside of the temperature range specified in the instructions. Charging improperly or at temperatures outside of the specified range may damage the battery and increase risk of fire

Unit charging (Fig. A)

- ◆ Locate the circular charge port (7) at the rear of the hand held unit.

Unit wall mounted charging (Fig B, C)

The product can be attached to a wall, to provide a convenient accessory storage and charging point for the appliance.

When mounting to a wall, make sure the mounting method is suitable for the wall type and is appropriate to the weight of the appliance.

Note: Wall mounted dock comes with the arms attached. The side tool storage arms (18b) can be removed from the main unit (18).

This is possible for the user to do if they don't have enough space or only want to utilize one side arm. To remove storage side arms from the charge dock, pull the arm firmly upwards. To reconnect, align the arm with the locking holes and press down.

- ◆ Mark the location of the charging station screw holes on the wall (at a height that allows the unit to hang without hitting the floor and within reach of an electrical outlet for charging the vacuum while it is on the charging station (18).
- ◆ Fix the charging station (18) to the wall using appropriate screws and plugs for the type of wall, and weight of the appliance.
- ◆ Slide the magnetic charger (19) into the charging station as shown in Figure B. Push the release button (18a) down to align the slots on the magnetic charger head (19) with the ribs on the charging station (18). Slide the magnetic head down till the release button (18a) pushes back into place. Ensure it is locked into place before proceeding..

Note: To remove the magnetic charger (19) from the charging base press the release button (18a) on the charging station and slide the magnetic charger up and away from the charging station.

- ◆ Plug the charger into an appropriate outlet.
- ◆ Install the unit onto the charge point as shown in figure C. Align the hook on the charging station into the slot at the rear of the unit.
- ◆ The blue LED (4) on the vacuum will flash indicating that the battery is being charged.
- ◆ The blue LEDs (4) will illuminate in segments, displaying the state of charge in the battery.

- ◆ The completion of charge is indicated by the blue LEDs (4) will turn off. The pack is fully charged and may be used at this time or left on the charger.

Assembly (Fig. D)

- ◆ Align the top of the extension tube (8) with the vacuum inlet (6) as shown in figure D.
- ◆ Push the extension tube (8) onto the vacuum inlet (6) so it locks into position.
- ◆ Align the bottom of the extension tube (8) with the floorhead (12) as shown in figure D.
- ◆ Push the bottom of the extension tube (8) onto the floorhead (12) so it locks into position.
- ◆ To remove the tube, press the extension pole release button (9) located on the vacuum inlet or the bottom of the extension tube and gently pull the connected accessory off.

Using an accessory tool (Fig. E)

Your vacuum may come with some of the following tools.

1. 2-in-1 brush (13)
 2. Crevice tool (14)
 3. Pet head (Only available with BHFEA640WP unit) (15)
 4. Powered pet head (Only available with BHFEA640WP unit) (16)
- ◆ The accessories 13, 14, 15 and 16 can be fitted either directly to the extension tube (8) or to the vacuum inlet (6) as shown in figure E.
 - ◆ Align the top of the accessories 13, 14, 15 and 16 with the vacuum inlet (6) or extension tube (8) and push into place so it locks into position as shown in figure E.

Use (Fig. E1)

This vacuum can be used in one of four ways.

1. With the extension tube (8) and the floorhead (12).
2. With the floorhead (12).
3. With the extension tube (8) and an accessory tool
4. With an accessory tool.

Switching ON and OFF (Fig. F)

- ◆ To switch ON, push the ON/OFF button (1).
- ◆ To change speed setting press hard floor mode (2) or carpet mode (3) depending on floor type.

Note: The state of charge indicator LEDs will illuminate while the vacuum is ON.

- ◆ To switch OFF, press the ON/OFF button (1) a second time.
- ◆ Return the product to the charger immediately after use so that it will be fully charged and ready for the next use.

Note: Ensure that the product is fully contacting the magnetic charger plug.

Accessory storage on pole

- ◆ Accessory (13, 14, 15) can be stored on the pole of the unit using the on pole storage attachment (20).
- ◆ Align the pole storage clip feature (20) onto the rear of the pole.
- ◆ Push firmly so that the pole storage is held firmly on position on the pole.
- ◆ The accessories (13, 14, 15) can be fitted directly to the on pole storage attachment.
- ◆ Align the top of the accessories (13, 14, 15) with the pole storage attachment (20) and push into place so it locks.

Note: A maximum of two accessories can be stored on the pole storage.

Accessory storage on charge dock

- ◆ The accessories 13, 14, 15 and 16) can be fitted directly to the wall hanging charge dock (18) as shown in Fig. C.
- ◆ Align the top of the accessories (13, 14, 15 and 16) with the wall hanging charge dock arms (18b) and push into place so it locks into position as shown in Fig. C.

Note: The storage side arms (18b) can be removed from the wall hook. This is possible for the user to do if they don't have enough space or only want to utilize one side arm.

To remove storage side arms from the charge dock, pull the arm firmly upwards. To reconnect, align the arm with the locking holes and press down.

Cleaning and emptying the vacuum

Warning! Projectile/Respiratory Hazard: never use the vac without its filter.

IMPORTANT: Maximum dust collection will only be obtained with clean filters and an empty dust canister.

If dust begins to fall back out of the product after it is switched off, this indicates that the dust canister is full and requires emptying.

Note: There is a MAX line on the dust canister. Do not allow the dust canister to fill beyond this point.

Note: The foam/felt filter (23) is re-usable do not throw it away when the product is emptied. We recommend that you replace the filters every 6–9 months depending on frequency of use.

Note: Replacement filters can be purchased from your BLACK+DECKER Service Centre. Visit www.2helpu.com to locate a service centre.

To empty the dust canister (Fig. G, H, I)

- ◆ Press button (11a) to release the dust canister (11) from the chassis as shown in figure G.
- ◆ Place the dust canister over a trash can and press the dust canister door release button (11b) to empty the dust canister as shown in figure I.
- ◆ Empty the contents of the dust canister (11).
- ◆ Close the dust canister door (11c), until it clicks firmly into position.

- ◆ Use your index finger and thumb to grip the finger tabs on the prefilter (10), and pull from the dust canister (11) as shown in fig H.
- ◆ Tap the pre-filter (10) as necessary to remove any debris

Note: The filter housing fits snugly in the dust canister and may be difficult to remove at first.

- ◆ Empty the dust canister into a trash bin.
- ◆ Install the pre-filter (10) into the dust canister (11) ensuring the pre-filter tab aligns with the dust canister and lock in position.
- ◆ Install the dust canister onto the vacuum, until it clicks firmly into position.

Cleaning the filters (Fig. H)

- ◆ Press button (11a) to release the dust canister (11) from the chassis as shown in figure G.
- ◆ Remove the foam/felt filter (23) by pulling on the foam/felt filter housing.
- ◆ Once the filters and pre-filter are removed from the dust canister (11) shake off or lightly brush any loose dust from the pre-filter (10) and foam/felt filter (23).
- ◆ Rinse out the dust canister (11) with warm soapy water.
- ◆ Wash the foam/felt filter (23) with warm soapy water.
- ◆ Ensure the foam/felt filter (23) is completely dry before refitting the filters into the dust canister cap (24).
- ◆ Once the filter (23) is clean and completely dry, place them inside the dust canister cap (24) with the white felt side in the upwards position.

Note: The black foam side will be visible when looking into the dust canister cap from the underside.

IMPORTANT: Wash the filters regularly using warm, soapy water and ensure that it is completely dry before using again. The cleaner the filter is, the better the product will perform. It is very important that the filters are completely dry and correctly in position before use.

Removing and cleaning the rotary brushes (Fig. J, K)

Warning! To reduce the risk of injury from moving parts, disconnect the floor head and extension tube from the vacuum before cleaning or servicing.

- ◆ To remove the rotary brush (26) from the floor head (12) slide the release latch (12a) on the side of the floor head (12) as shown in fig J.
- ◆ With the rotary brush (26) released from the floor head (12), grab and pull the rotary brush (26) completely out of the floor head (12) to clean.
- ◆ Wipe away any dust or debris on the rotary brush (26).
- ◆ Reinstall the rotary brush into the floor head (12) by aligning the rotary brush into the side of the floor head opening. Pushing the rotary brush fully into the floorhead and aligning the keyed end of the rotary brush (26) with the gear located in the floor head (12).

- ◆ Press firmly on the rotary brush (26) to secure it into the floor head (12). Ensure you hear an audible click as the release latch snaps into its locked position.

Removing edge brushes (Fig. L)

- ◆ Unscrew screw using the correct tool to release the edge brush as shown in figure L.
- ◆ Pull edge brush (26b) away from the floorhead.
- ◆ Wipe away any dust or debris on the edge brush.
- ◆ Reinstall the edge brush by aligning the shaft into the slot in the floorhead.
- ◆ Press firmly into place and using screw, screw into position.
- ◆ Make sure the edge brush is held securely in place with screw before using.

Swapping the Rotary Brush (26) for the Soft Beater Bar (21) (Fig. M)

Warning! To reduce the risk of injury from moving parts, disconnect the floor head and extension tube from the vacuum before cleaning or servicing.

- ◆ Remove the rotary brush end cap (26) from the floor head (12) by sliding the release latch (12a) on the side of the floor head (12).
- ◆ With the rotary brush (26) released from the floor head (12), grab and pull the rotary brush (26) completely out of the floor head (12).
- ◆ Hold the Rotary brush (26) and the rotary brush end cap (26c) firmly and pull apart. They should separate easily.
- ◆ Whilst holding the rotary brush end cap (26c) take the soft beater bar (21) and align the flat side of the metal shaft with the flat side of the hole in the end of the soft beater bar (21) and slide together until they stop.
- ◆ Reinstall the rotary brush end cap into the floor head (12) by aligning the soft roller (21) into the side of the floor head opening. Pushing the soft roller (21) fully into the floorhead and aligning the keyed end of the soft roller (21) with the gear located in the floor head (12).
- ◆ Press firmly on the rotary brush end cap (26c) to secure it into the floor head (12). Ensure you hear an audible click as the release latch snaps into its locked position.
- ◆ Repeat this procedure to swap back from the soft roller (21) to the rotary brush (26).

Removing and cleaning the pet head beater bar (Fig. N)

- ◆ To remove the beater bar (16b) from the pet head (16), depress the release button (16a) as shown in figure N.
- ◆ The beater bar (16b) can now be removed.
- ◆ The end pieces are also removable allowing you to clear the brushes from any hair or other debris that may have accumulated.

- ◆ Wash the beater bar with warm soapy water.

Removing exhaust filter (Fig. O)

The exhaust filter (17) can be cleaned or replaced by the customer, replacement filters are available from your BLACK+DECKER Service Centre. It's been designed to be in an obvious place and easily removable.

- ◆ Press the exhaust filter release button (17a).
- ◆ Withdraw the exhaust filter (17) as shown in figure N.
- ◆ The filter can be tapped free of debris or rinsed with water. Allow 24 hours to dry. Do not use soap.
- ◆ Replace cleaned or new filter.

Storage

The unit can be safely stored using the charging wall dock as shown in figure C.

Maintenance

Your BLACK+DECKER cordless appliance has been designed to operate over a long period of time with a minimum of maintenance. Continuous satisfactory operation depends upon proper tool care and regular cleaning.

Warning! Before performing any maintenance on cordless appliances:

- ◆ Run the battery down completely if it is integral and then switch off.
- ◆ Unplug the charger before cleaning it. Your charger does not require any maintenance apart from regular cleaning.
- ◆ Regularly clean the ventilation slots in your appliance/charger using a soft brush or dry cloth.
- ◆ Regularly clean the motor housing using a damp cloth. Do not use any abrasive or solvent-based cleaner.

Replacing the filters

The filters should be replaced every 6 to 9 months and whenever worn or damaged. Replacement filters are available from your BLACK+DECKER SERVICE CENTER.

Visit www.2hepu.com to locate a service center

- ◆ Remove the old filters as described above.
- ◆ Fit the new filters as described above.

Troubleshooting

Problem	Possible cause	Possible solution
Unit will not start.	Battery pack not charged.	Check charging requirements.
	Blockage.	Check floorhead tube. Check extension tube. Check between extension tube and bowl.

Battery pack will not charge.	Charger not plugged in. Surrounding air temperature too hot or too cold.	Plug charger into a working outlet. Refer to Important Charging Notes for more details. Move charger and battery pack to an area above 4 °C or below +40 °C.
Rotary brush stops working.	Obstruction. Rug or thick/loose pile carpet	The unit is equipped with a rotary brush overload protection feature. (See Removing and Cleaning the Rotary Brushes section.) The unit is equipped with a rotary brush overload feature. Rugs and carpet with very thick and/or loose pile, can cause the overload feature to activate and the rotary brush will stop rotating. Try cleaning on the hard floor speed setting (2). If the problem persists, the surface is not suitable for cleaning with rotary brush bars.
Vacuum performance is poor.	Clogged dust bowl. Filters are dirty. Rotary brush	Empty the dust bowl. (See Cleaning and Emptying the vacuum section.) Clean the filters. (See Cleaning and Emptying the vacuum section.) Clean the rotary brush. (See Removing and Cleaning the Rotary Brushes section.)

Protecting the environment



Separate collection. Products and batteries marked with this symbol must not be disposed of with normal household waste.

Products and batteries contain materials that can be recovered or recycled reducing the demand for raw materials. Please recycle electrical products and batteries according to local provisions. Further information is available at www.2hepu.com

Technical Data

	BHFEA640W, BHFEA640WP
Voltage	21.6v
Watt Hours	86.4Wh
Approx Charge Times	4hrs
Weight	3.56kg

Guarantee

Black & Decker is confident of the quality of its products and offers consumers a 24 month guarantee from the date of purchase.

This guarantee is in addition to and in no way prejudices your statutory rights.

The guarantee is valid within the territories of the Member States of the European Union and the European Free Trade Area and the United Kingdom.

To claim on the guarantee, the claim must be in accordance with Black&Decker Terms and Conditions and you will need to submit proof of purchase to the seller or an authorised repair agent.

Terms and conditions of the Black&Decker 2 year guarantee and the location of your nearest authorised repair agent can be obtained on the Internet at www.2helpU.com, or by contacting your local Black & Decker office at the address indicated in this manual.

Please visit our website www.blackanddecker.co.uk to register your new Black & Decker product and receive updates on new products and special offers.

Australia & New Zealand	Stanley Black & Decker 810 Whitehorse Road Box Hill VIC 3128, Australia	Tel. Tel.	1800 338 002 (Aus) 0800 339 258 (NZ)
<hr/>			
United Kingdom & Republic Of Ireland	Black & Decker 270 Bath Road Slough, Berkshire SL1 4DX	Tel. Fax	01753 511234 01753 512365
<hr/>			

www.blackanddecker.com.au
www.blackanddecker.co.nz

www.blackanddecker.co.uk
emeaservice@sbdinc.com