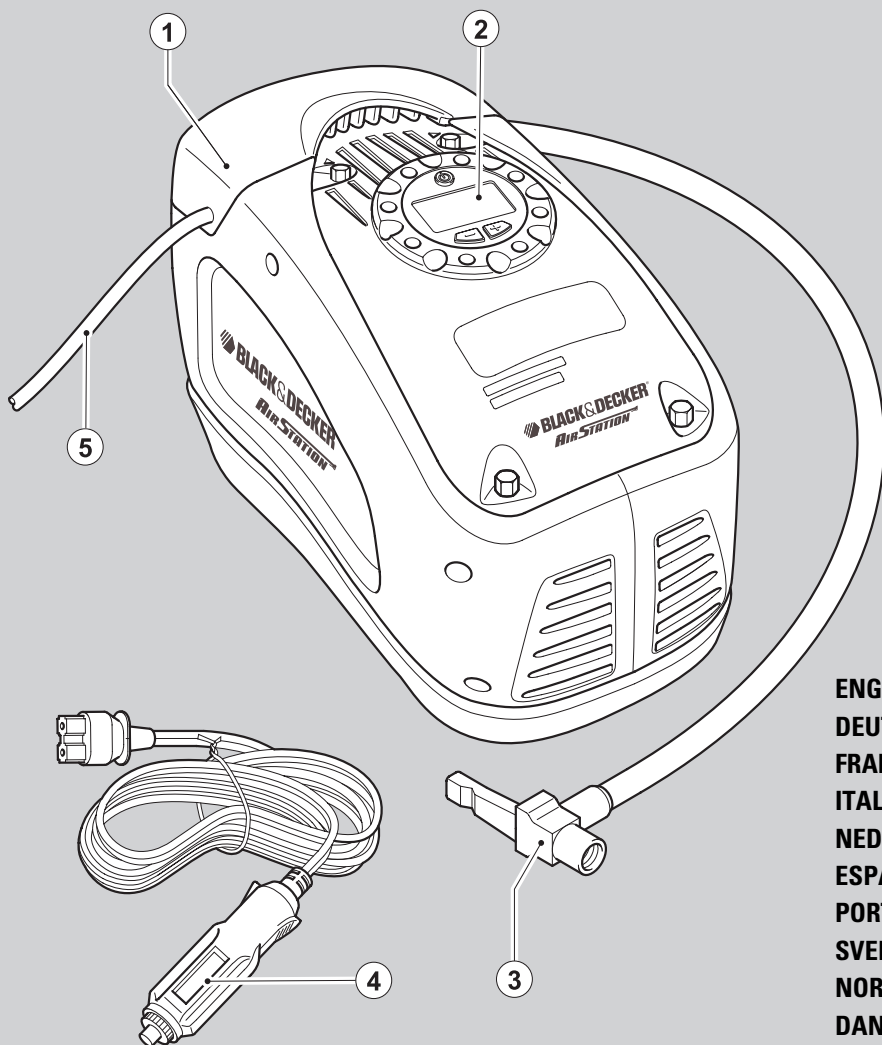
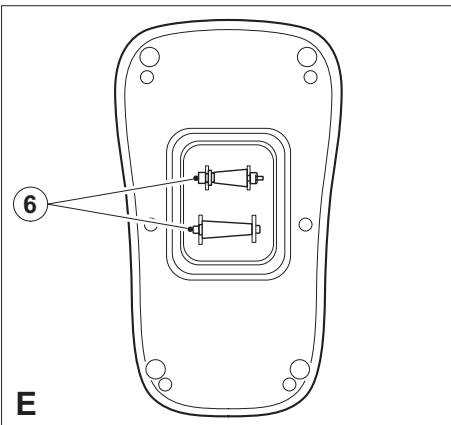
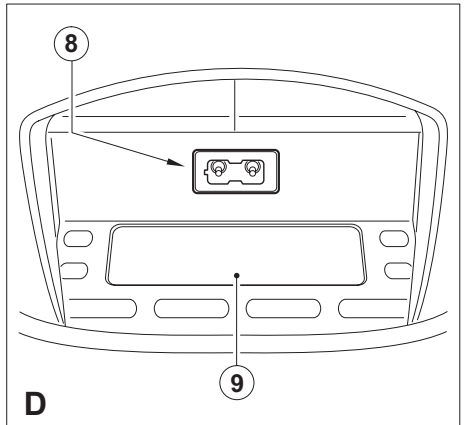
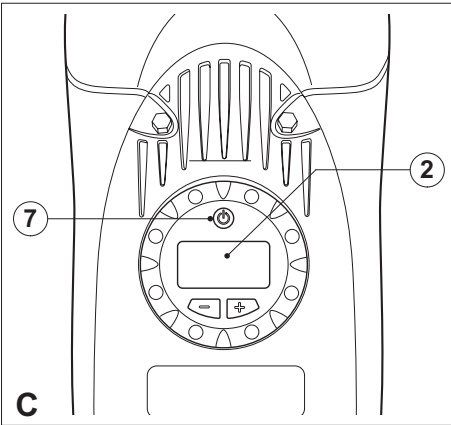
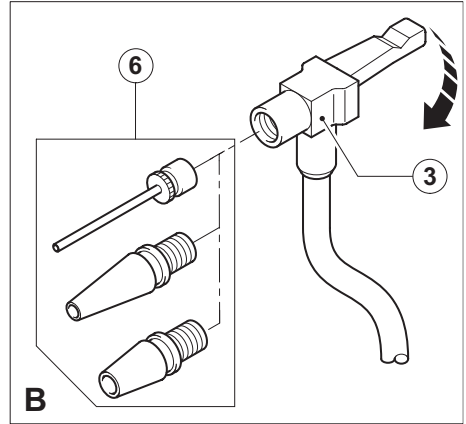
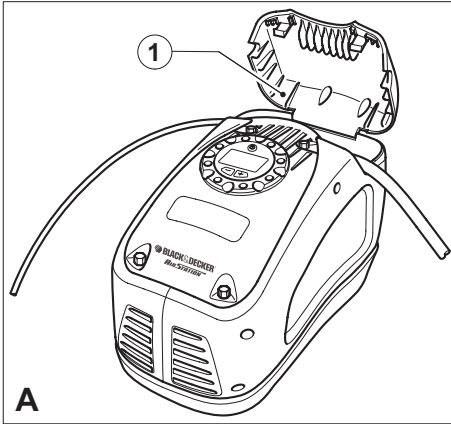


# BLACK & DECKER®



ENGLISH	3
DEUTSCH	7
FRANÇAIS	12
ITALIANO	17
NEDERLANDS	22
ESPAÑOL	27
PORTUGUÊS	32
SVENSKA	37
NORSK	42
DANSK	47
SUOMI	51
ΕΛΛΗΝΙΚΑ	55



## Intended use

Your Black & Decker inflator is designed to be used in and around the home using its 230 Volt cord or it's own 12 Volt dc cord in most vehicles using its 12 Volt adaptor to inflate car and bike tyres, balls etc. This product is intended for household, consumer use only.

## Safety instructions

**Warning!** When using mains-powered appliances, basic safety precautions, including the following, should always be followed to reduce the risk of fire, electric shock, personal injury and material damage.

- ◆ Read all of this manual carefully before using the appliance.
- ◆ The intended use is described in this manual. The use of any accessory or attachment or the performance of any operation with this appliance other than those recommended in this instruction manual may present a risk of personal injury.
- ◆ Retain this manual for future reference.

## Using your appliance

Always take care when using the appliance.

- ◆ This appliance is not intended for use by young or infirm persons without supervision.
- ◆ The appliance is not to be used as a toy.
- ◆ Do not allow children or animals to come near the work area or touch the appliance or power supply cord.
- ◆ Close supervision is necessary when the appliance is used near children.
- ◆ Use in a dry location only. Do not allow the appliance to become wet.
- ◆ Do not immerse the appliance in water.
- ◆ Do not open body casing. There are no user-serviceable parts inside.
- ◆ Do not operate the appliance in explosive atmospheres, such as in the presence of flammable liquids, gases or dust.
- ◆ To reduce the risk of damage to plugs and cords never pull the cable to remove the plug from a socket.

## Safety of others

- ◆ This appliance is not intended for use by persons (including children) with reduced physical, sensory or mental capabilities, or lack of experience and knowledge, unless they have been given supervision or instruction concerning use of the appliance by a person responsible for their safety.
- ◆ Children should be supervised to ensure that they do not play with the appliance.

## After use

- ◆ When not in use, the appliance should be stored in a dry, well ventilated place out of the reach of children.
- ◆ Children should not have access to stored appliances.
- ◆ When the appliance is stored or transported in a vehicle it should be placed in the boot or restrained to prevent movement following sudden changes in speed or direction.

## Inspection and repairs

- ◆ Before use, check the appliance for damaged or defective parts. Check for breakage of parts, damage to switches and any other conditions that may affect its operation.
- ◆ Do not use the appliance if any part is damaged or defective.
- ◆ Have any damaged or defective parts repaired or replaced by an authorised repair agent.
- ◆ Never attempt to remove or replace any parts other than those specified in this manual.

## Additional safety instructions for inflators

- ◆ For home and car use only. Inflate car and bike tyres, balls, swimming pool floats and more in and around the home.
- ◆ The compressed air from your inflator is not safe for breathing. Never inhale air from your inflator or from a breathing device connected to the inflator.
- ◆ Inflate items only to their manufacturer's recommendations. Exceeding the pressure rating could cause them to explode resulting in personal injury.
- ◆ Do not leave the inflator running unattended. It could burst tyres or other items.
- ◆ Since the vibrations produced by the inflator may cause it to "walk", do not operate on a high shelf or other surface. Operate at ground or bench level only.
- ◆ Do not modify or attempt to repair. Never drill into, weld, or make any modifications to the inflator or its attachments.
- ◆ Do not operate the inflator when the engine is running.
- ◆ Operate only with the accessories included or those rated for 11.03 bar/160 psi or higher. The use of any accessory not recommended for use with this tool could be hazardous.
- ◆ Do not play with the tool. High pressure air is dangerous. Do not direct air-flow at yourself or others.
- ◆ The inflator can become hot during use. Allow the inflator to cool for 30 minutes before storing away.
- ◆ Never carry the inflator by the hose.
- ◆ Do not direct the nozzle or hose at animals or bystanders.
- ◆ Store the inflator out of reach of small children.

- ◆ The gauge is intended as a guide only. Tyre pressures should be regularly checked with a certified gauge.
- ◆ Before use, check the power supply cord for signs of damage, ageing and wear.
- ◆ Do not use the appliance if the power supply cord or mains plug is damaged or defective (where applicable).

## Electrical safety



This tool/appliance is double insulated; therefore no earth wire is required. Always check that the power supply corresponds to the voltage on the rating plate.

Electrical safety can be further improved by using a high sensitivity (30mA / 30mS) Residual Current Device (RCD).

If the supply cord is damaged, it must be replaced by the manufacturer or an authorised Black & Decker Service Centre in order to avoid a hazard.

## The following warning symbols are found on the tool/appliance:



Read the instruction manual before using the inflator.



Do not expose the appliance to rain or high humidity.



Before performing maintenance or cleaning on the appliance, unplug the supply cord.



Do not leave the inflator unattended.

## Features

1. Storage compartment cover
2. Pressure gauge
3. Air hose with universal valve adaptor
4. 12 Volt dc cord and adaptor
5. 230 Volt ac cord and plug

## Use

### Air hose and cord storage

The air hose (3) and the ac cord (5) are stored in the storage compartment (1) on top of the Inflator (fig. A). The holes in both sides of the cover (1) allow for the hose and cord to exit from the compartment so that the compartment cover can be closed while the Inflator is in use. The dc cord (4) is stored in the storage compartment (9) (fig. D) at the rear of the inflator.

### Fitting the accessories (fig. B & E)

Your inflator is supplied with the standard tapered nozzles and the needle inflator nozzle (6), these are located on the base of the unit (fig. E).

- ◆ To use the universal valve adaptor, make sure that the lever is in the up position.
- ◆ Place the valve adapter over the stem of the inflation needle or tapered nozzle (fig. B).
- ◆ Press the lever on the valve adapter down to lock it in place.
- ◆ Place the inflation needle or tapered nozzle into the item to be inflated.

**Note:** Always make sure that the lever is in the up position when not in use.

Operate your Inflator only with the universal valve adaptor or with the included nozzles.

**Note:** Make sure that the universal valve adaptor is firmly locked in place before turning the Inflator on.

Many inflatables have an internal flap that prevents air loss during inflation. Unless this flap is displaced by the nozzle the inflatable will not inflate. Push the nozzle firmly into the valve to make sure that you push this flap out of the way.

Store the inflation needle inside one of the tapered nozzles and snap the tapered nozzles into the storage slots located on the bottom of the Inflator (fig. E).

**Warning!** Excessive air pressure may cause a hazardous risk of bursting or personal injury. Check the manufacturer's maximum pressure rating for the items being inflated.

**Note:** If the pressure rating for the item being inflated is above 100 psi, note that the maximum run time is 10 minutes, leave to rest for 20 minutes before re-use.

### Pressure gauge (fig. C)

Your Inflator is equipped with a built-in pressure gauge (2) that will automatically shut off when a predetermined air pressure is reached. The gauge, which is located on the top of the Inflator, will give a pressure reading in psi, bar or kPa. In the case of vehicle tyres, it is recommended that the pressure reading be verified by checking with a separate tyre gauge.

### Powering the unit (fig. C and D)

**Warning!** Do not operate the unit from both power sources at the same time.

### 230 Vac mode

Always fully extend the 230 Vac cord before each use.

- ◆ Connect the 230 Volt cord (5) to a suitable mains supply.

## 12 Vdc mode

**Warning!** Do not operate the inflator when the car engine is running.

**Note:** Make sure that your 12 Volt accessory socket is live. On some vehicles the accessory socket may only become live when the ignition key is in the accessory position.

- ◆ Always fully extend the 12 Vdc cord before each use.
- ◆ Connect the 12 Volt cord to the socket (8) in the storage compartment and plug the 12 Volt adaptor (4) into your vehicle's 12 Volt accessory socket.

## Setting the required pressure (fig. C)

**Warning!** Do not leave the inflator running unattended. It could burst tyres or other items.

**Note:** You must set the automatic shut-off feature before the unit will operate.

When you connect to either an ac or dc power source the digital display will be illuminated.

- ◆ Press and hold - and + buttons at the same time to select the required units, psi bar or kPa.

**Warning!** Excessive air pressure may cause a hazardous risk of bursting or personal injury. Check the manufacturer's maximum pressure rating for items being inflated.

- ◆ Press the - or + buttons to set the pressure that you require.
- ◆ When set, the LCD will flash for 3 seconds and the digital display will show zero.
- ◆ Connect the universal valve adaptor and accessories if required to the item to be inflated making sure that the lever of the valve adaptor is in the down position to lock it in place.
- ◆ To turn the inflator on, press the on off switch (7) located on the digital gauge.

**Note:** If the power source is removed all of the settings will be lost and will need to be re-entered following the instructions under the heading 'Setting the required pressure'.

- ◆ When the item being inflated has reached the pre-set value the unit will automatically turn off.

**Note:** To turn the inflator off at any time, press the on/off switch (7) located on the digital gauge.

- ◆ Remove the valve adaptor or accessory from the inflated item and disconnect the unit from the power source.

## Using your inflator as a pressure gauge

- ◆ Make sure that the unit is powered as described in the section 'Powering the unit'.
- ◆ Connect the universal valve adaptor and accessories if required to the item to be inflated, making sure that the lever of the valve adaptor is in the down position to lock it in place.
- ◆ The display will now display the actual pressure value in the item.

## Maintenance

Your Black & Decker tool has been designed to operate over a long period of time with a minimum of maintenance. Continuous satisfactory operation depends upon proper tool care and regular cleaning.

**Warning!** Before performing any maintenance or cleaning on the appliance, unplug the appliance.

- ◆ From time to time wipe the appliance with a damp cloth. Do not use any abrasive or solvent-based cleaner. Do not immerse the appliance in water.

## Troubleshooting

Problem	Possible cause	Possible solution
Appliance will not start.	Cord is not plugged in.	Plug the tool into a working outlet.
	Automatic shut-off valve not set.	Set the automatic shut-off feature.
	Preset value may be below the actual pressure.	Adjust the preset value to a higher value.
	The fuse in the 12 Volt adaptor is blown.	Replace the fuse with one of the same size and type (8A/250V).
	Cord or switch is damaged.	Have the cord or switch replaced at a Black & Decker Service Centre or Authorized Service Centre.

## Mains plug replacement (U.K. & Ireland only)

If a new mains plug needs to be fitted:

- ◆ Safely dispose of the old plug.
- ◆ Connect the brown lead to the live terminal in the new plug.
- ◆ Connect the blue lead to the neutral terminal.

**Warning!** No connection is to be made to the earth terminal. Follow the fitting instructions supplied with good quality plugs. Recommended fuse: 3 A.

## Protecting the environment



Separate collection. This product must not be disposed of with normal household waste.

Should you find one day that your Black & Decker product needs replacement, or if it is of no further use to you, do not dispose of it with household waste. Make this product available for separate collection.



Separate collection of used products and packaging allows materials to be recycled and used again. Re-use of recycled materials helps prevent environmental pollution and reduces the demand for raw materials.

Local regulations may provide for separate collection of electrical products from the household, at municipal waste sites or by the retailer when you purchase a new product.

Black & Decker provides a facility for the collection and recycling of Black & Decker products once they have reached the end of their working life. To take advantage of this service please return your product to any authorised repair agent who will collect them on our behalf.

You can check the location of your nearest authorised repair agent by contacting your local Black & Decker office at the address indicated in this manual. Alternatively, a list of authorised Black & Decker repair agents and full details of our after-sales service and contacts are available on the Internet at: [www.2helpU.com](http://www.2helpU.com).

**Technical data**

		ASI300
Input voltage	Vac/Vdc	230/12
Input current	A	0.5/8
Noise value	db	84
Pressure (max)	kPa / psi / bar	1103 / 160 / 11.03
Weight	kg	1.93

**EC declaration of conformity**

ASI300 TYPE 2

Black & Decker declares that these products conform to:  
Standards & Legislation.  
EN60335, 2006/95/EC

The undersigned is responsible for compilation of the technical file and makes this declaration on behalf of Black & Decker

Kevin Hewitt  
Director of Consumer Engineering  
Spennymoor, County Durham, DL16 6JG  
United Kingdom  
06-07-2009

If a Black & Decker product becomes defective due to faulty materials, workmanship or lack of conformity, within 24 months from the date of purchase, Black & Decker guarantees to replace defective parts, repair products subjected to fair wear and tear or replace such products to make sure of the minimum inconvenience to the customer unless:

- ◆ The product has been used for trade, professional or hire purposes.
- ◆ The product has been subjected to misuse or neglect.
- ◆ The product has sustained damage through foreign objects, substances or accidents.
- ◆ Repairs have been attempted by persons other than authorised repair agents or Black & Decker service staff.

To claim on the guarantee, you will need to submit proof of purchase to the seller or an authorised repair agent. You can check the location of your nearest authorised repair agent by contacting your local Black & Decker office at the address indicated in this manual. Alternatively, a list of authorised Black & Decker repair agents and full details of our after-sales service and contacts are available on the Internet at: [www.2helpU.com](http://www.2helpU.com).

Please visit our website [www.blackanddecker.co.uk](http://www.blackanddecker.co.uk) to register your new Black & Decker product and to be kept up to date on new products and special offers. Further information on the Black & Decker brand and our range of products is available at [www.blackanddecker.co.uk](http://www.blackanddecker.co.uk).

**Guarantee**

Black & Decker is confident of the quality of its products and offers an outstanding guarantee. This guarantee statement is in addition to and in no way prejudices your statutory rights. The guarantee is valid within the territories of the Member States of the European Union and the European Free Trade Area.

## Bestimmungsgemäße Verwendung

Dieser Kompressor von Black & Decker wurde für den Heimgebrauch entwickelt. Mit dem Kompressor können Sie Auto- und Fahrradreifen, Bälle usw. aufpumpen. Schließen Sie dazu das Gerät entweder mit dem Stromkabel an eine 230-Volt-Steckdose oder über das 12-Volt-Gleichstromkabel an einen in den meisten Fahrzeugen vorhandenen 12-Volt-Anschluss an. Dieses Gerät ist nicht für den gewerblichen Einsatz bestimmt.

## Sicherheitshinweise

**Achtung!** Beachten Sie beim Umgang mit netzstrombetriebenen Geräten stets die grundlegenden Sicherheitshinweise, die im Folgenden beschrieben werden.

Dadurch verhindern Sie Brände, Stromschläge sowie Sach- und Personenschäden.

- ◆ Lesen Sie diese Anleitung vollständig und aufmerksam durch, bevor Sie das Gerät verwenden.
- ◆ Der vorgesehene Verwendungszweck ist in dieser Anleitung beschrieben. Bei Verwendung von Zubehör oder Anbauteilen, die nicht in dieser Anleitung empfohlen werden, sowie bei der Verwendung des Geräts in Abweichung von den in dieser Anleitung beschriebenen Verfahren besteht Verletzungsgefahr.
- ◆ Bewahren Sie diese Anleitung auf.

## Verwendung des Geräts

Verwenden Sie das Gerät stets mit Umsicht.

- ◆ Das Gerät ist nicht für die unbeaufsichtigte Verwendung durch Kinder oder gebrechliche Personen vorgesehen.
- ◆ Das Gerät ist kein Spielzeug.
- ◆ Achten Sie darauf, dass sich im Arbeitsbereich keine Kinder oder Tiere aufhalten. Verhindern Sie, dass Kinder das Gerät oder das Netzkabel berühren.
- ◆ Seien Sie besonders vorsichtig, wenn Sie das Gerät in der Nähe von Kindern verwenden.
- ◆ Verwenden Sie das Gerät nur in trockener Umgebung. Achten Sie darauf, dass das Gerät nicht nass wird.
- ◆ Tauchen Sie das Gerät nicht in Wasser.
- ◆ Versuchen Sie nicht, das Gehäuse zu öffnen. Im Inneren befinden sich keine zu wartenden Teile.
- ◆ Betreiben Sie das Gerät nicht in Umgebungen, in denen Explosionsgefahr besteht, z. B. aufgrund von brennbaren Flüssigkeiten, Gasen oder Staub.
- ◆ Ziehen Sie niemals am Kabel, wenn Sie den Stecker aus der Steckdose ziehen möchten. Kabel und Stecker könnten sonst beschädigt werden.

## Sicherheit anderer Personen

- ◆ Dieses Gerät darf nicht von Personen (einschließlich Kindern) mit eingeschränkten körperlichen, sensorischen oder geistigen Fähigkeiten sowie mangelnder Erfahrung und Wissen in Bezug auf dessen Gebrauch bedient werden, es sei denn, sie werden bei der Verwendung des Geräts von einer für die Sicherheit verantwortlichen Person beaufsichtigt oder angeleitet.
- ◆ Kinder müssen beaufsichtigt werden, um sicherzustellen, dass sie nicht mit dem Gerät spielen.

## Nach dem Gebrauch

- ◆ Bewahren Sie das Gerät bei Nichtgebrauch an einem trockenen, gut belüfteten Ort außerhalb der Reichweite von Kindern auf.
- ◆ Kinder sollten keinen Zugang zu aufbewahrten Geräten haben.
- ◆ Wenn das Gerät in einem Fahrzeug transportiert oder gelagert wird, bewahren Sie es im Kofferraum oder einer geeigneten Ablage auf, damit es bei plötzlichen Geschwindigkeits- oder Richtungsänderungen nicht in Bewegung geraten kann.

## Inspektion und Reparaturen

- ◆ Prüfen Sie das Gerät vor der Verwendung auf beschädigte oder defekte Teile. Prüfen Sie, ob Teile gebrochen sind, Schalter beschädigt wurden oder andere Bedingungen vorliegen, die die Funktion beeinträchtigen können.
- ◆ Betreiben Sie das Gerät nicht, wenn ein Teil beschädigt oder defekt ist.
- ◆ Lassen Sie beschädigte oder defekte Teile in einer Vertragswerkstatt reparieren oder austauschen.
- ◆ Ersetzen oder entfernen Sie keine Teile, für die in dieser Anleitung keine entsprechende Beschreibung enthalten ist.

## Zusätzliche Sicherheitshinweise für Kompressoren

- ◆ Nur für den Gebrauch im Heim- und Fahrzeugbereich. Zum Aufpumpen von Auto- und Fahrradreifen, Bällen, Schwimmkörpern usw. in und rund um das Heim.
- ◆ Die Druckluft aus dem Kompressor darf nicht eingeatmet werden. Inhalieren Sie niemals die Luft aus dem Kompressor oder einem am Kompressor befestigten Atmungsgerät.
- ◆ Folgen Sie beim Aufpumpen von Gegenständen immer den jeweiligen Empfehlungen der Hersteller. Das Überschreiten der zugelassenen Luftdruckwerte kann zum Explodieren der Gegenstände und somit zu Verletzungen führen.
- ◆ Lassen Sie den Kompressor während des Betriebs nicht unbeaufsichtigt. Reifen bzw. andere aufblasbare Gegenstände könnten platzen.

- ◆ Bei Betrieb vibriert der Kompressor und kann sich „bewegen“. Platzieren Sie ihn daher niemals auf einer hohen Ablage. Betreiben Sie das Gerät nur auf Boden- oder Werkbankhöhe.
- ◆ Der Kompressor darf nicht selbständig repariert oder in sonstiger Weise verändert werden. Nehmen Sie keine Bohrungen, Verschweißungen oder andere Änderungen am Kompressor oder an den Aufsätzen vor.
- ◆ Betreiben Sie den Kompressor nicht bei laufendem Motor.
- ◆ Betreiben Sie das Gerät nur mit den gelieferten Zubehörteilen oder mit Komponenten, die für einen Druck von mindestens 11,03 bar/160 psi entwickelt wurden. Die Verwendung von Zubehörteilen, die nicht für den Gebrauch mit dem Gerät empfohlen werden, kann gefährlich sein.
- ◆ Spielen Sie nicht mit dem Gerät. Hohe Druckluft ist gefährlich. Richten Sie den Luftstrom niemals auf sich selbst oder andere Personen.
- ◆ Der Kompressor kann während des Betriebs heiß werden. Lassen Sie den Kompressor nach Gebrauch 30 Minuten abkühlen, bevor Sie ihn verstauen.
- ◆ Tragen Sie den Kompressor niemals am Schlauch.
- ◆ Richten Sie Aufblasstutzen und -schlauch niemals auf Personen oder Tiere.
- ◆ Bewahren Sie den Kompressor außerhalb der Reichweite von Kindern auf.
- ◆ Die Druckanzeige zeigt nur einen ungefähren Wert an. Der Reifendruck sollte regelmäßig mit einem speziellen Messgerät geprüft werden.
- ◆ Prüfen Sie vor der Inbetriebnahme das Netzkabel auf Beschädigungen und Verschleiß.
- ◆ Nehmen Sie das Gerät nicht in Betrieb, wenn das Netzkabel oder der Netzstecker beschädigt oder defekt ist.

## Elektrische Sicherheit



Dieses Gerät ist schutzisoliert, daher ist keine Masseleitung erforderlich. Überprüfen Sie stets, ob die Netzspannung der auf dem Typenschild des Geräts angegebenen Spannung entspricht.

Die elektrische Sicherheit lässt sich durch Verwendung eines hochempfindlichen Fehlerstromschalters (30 mA/30 mS) erhöhen.

Ist das Netzkabel beschädigt, muss es durch den Hersteller oder eine Black & Decker Vertragswerkstatt ausgetauscht werden, um eine mögliche Gefährdung zu vermeiden.

## Am Gerät sind die folgenden Warnsymbole angebracht:



Lesen Sie vor dem Gebrauch des Kompressors die Anleitung.



Schützen Sie das Gerät vor Feuchtigkeit und Regen.



Ziehen Sie das Netzkabel aus der Steckdose, bevor Sie mit Wartungs- oder Reinigungsarbeiten am Gerät beginnen.



Lassen Sie den Kompressor niemals unbeaufsichtigt.

## Merkmale

1. Abdeckung des Aufbewahrungsfachs
2. Druckanzeige
3. Luftschlauch mit Universalventiladapter
4. 12-Volt-Gleichstromkabel und -Adapter
5. 230-Volt-Wechselstromkabel und -Stecker

## Gebrauch

### Aufbewahrungsfach für Luftschlauch und Kabel

Der Luftschlauch (3) und das Wechselstromkabel (5) können im Aufbewahrungsfach (1) an der Oberseite des Kompressors (Abb. A) verstaut werden. Durch die Öffnungen zu beiden Seiten der Abdeckung (1) lassen sich das Stromkabel und der Aufblaschlauch nach außen führen, so dass der Kompressor bei geschlossenem Aufbewahrungsfach betrieben werden kann. Das Gleichstromkabel (4) kann im Aufbewahrungsfach (9) (Abb. D) an der Rückseite des Kompressors aufbewahrt werden.

### Anbringen des Zubehörs (Abb. B und E)

Ihr Kompressor wird mit den kegelförmigen Standardstutzen und einem Nadelstutzen (6) geliefert. Diese befinden sich am Gehäuse des Geräts (Abb. E).

- ◆ Stellen Sie bei der Verwendung des Universalventiladapters sicher, dass sich der Hebel in der aufrechten Stellung befindet.
- ◆ Stülpen Sie den Ventiladapter über den Nadelstutzen oder den kegelförmigen Stutzen (Abb. B).
- ◆ Drücken Sie den Hebel am Ventiladapter herunter, bis der Ventiladapter eingerastet ist.
- ◆ Stecken Sie den Nadelstutzen oder den kegelförmigen Stutzen in das aufzublasende Objekt.



**Hinweis:** Stellen Sie sicher, dass sich der Hebel stets in der aufrechten Stellung befindet, wenn das Gerät nicht verwendet wird.

Betreiben Sie den Kompressor nur mit dem Universalventiladapter oder den mitgelieferten Stützen.

**Hinweis:** Stellen Sie sicher, dass der Universalventiladapter vor dem Einschalten des Kompressors fest eingerastet ist.

Viele aufblasbare Gegenstände verfügen über eine eingebaute Ventilklappe, die das Austreten von Luft während des Aufpumpens verhindern soll. Wenn diese Klappe nicht durch einen Stutzen weggedrückt wird, kann dieser Gegenstand nicht aufgeblasen werden. Drücken Sie den Stutzen fest in das Ventil, damit die Ventilklappe weggedrückt wird.

Stecken Sie den Nadelstutzen zur Aufbewahrung in einen der kegelförmigen Stutzen, und befestigen Sie die kegelförmigen Stutzen in den dafür vorgesehenen Aussparungen an der Unterseite des Kompressors (Abb. E).

**Achtung!** Zu hoher Luftdruck kann zum Platzen von Objekten und Personenschäden führen. Prüfen Sie die vom Hersteller der aufblasbaren Gegenstände zugelassenen Druckluftwerte.

**Hinweis:** Beachten Sie bei Gegenständen mit einem Luftdruckwert über 100 psi (6,895 bar), dass die maximale Betriebsdauer des Kompressors bei 10 Minuten liegt. Warten Sie vor der erneuten Verwendung 20 Minuten.

### Druckanzeige (Abb. C)

Ihr Kompressor ist mit einer eingebauten Druckanzeige (2) ausgestattet, die den Kompressor automatisch ausschaltet, wenn der vorgegebene Luftdruck erreicht ist. Die Druckanzeige befindet sich an der Oberseite des Kompressors und zeigt den Druck in psi, bar oder kPa an. Beim Aufpumpen von Autoreifen sollte das Druckniveau außerdem noch mit einem separaten Messgerät überprüft werden.

### Stromversorgung des Geräts (Abb. C und D)

**Achtung!** Schließen Sie das Gerät nicht gleichzeitig an beide Stromquellen an.

### 230-Volt-Wechselspannungsbetrieb

Wickeln Sie das 230-Volt-Wechselspannungskabel vor jedem Gebrauch vollständig ab.

- ◆ Schließen Sie das 230-Volt-Kabel (5) an einen geeigneten Netzanschluss an.

### 12-Volt-Gleichspannungsbetrieb

**Achtung!** Betreiben Sie den Kompressor nicht bei laufendem Automotor.

**Hinweis:** Vergewissern Sie sich, dass an dem 12-Volt-Anschluss Spannung anliegt. Bei einigen Fahrzeugen kann der Anschluss nur verwendet werden, wenn sich das Zündschloss in der Stellung befindet, in der elektrische Verbraucher mit Strom versorgt werden.

- ◆ Wickeln Sie das 12-Volt-Gleichspannungskabel vor jedem Gebrauch vollständig ab.
- ◆ Schließen Sie das 12-Volt-Kabel an die Buchse (8) im Aufbewahrungsfach an, und stecken Sie den 12-Volt-Adapter (4) in den 12-Volt-Anschluss Ihres Fahrzeugs.

### Festlegen des erforderlichen Drucks (Abb. C)

**Achtung!** Lassen Sie den Kompressor während des Betriebs nicht unbeaufsichtigt. Reifen bzw. andere aufblasbare Gegenstände könnten platzen.

**Hinweis:** Sie müssen die automatische Abschaltung aktivieren, bevor Sie das Gerät betreiben können.

Wenn Sie das Gerät an eine Gleich- oder Wechselstromquelle anschließen, leuchtet die Digitalanzeige.

- ◆ Drücken Sie die Tasten - und + gleichzeitig, um die erforderliche Einheit (psi, bar oder kPa) auszuwählen.

**Achtung!** Zu hoher Luftdruck kann zum Platzen von Objekten und Personenschäden führen. Prüfen Sie die vom Hersteller für die aufzublasenden Gegenstände zugelassenen Druckluftwerte.

- ◆ Drücken Sie die Tasten - und +, um den erforderlichen Druck einzustellen.
- ◆ Wenn Sie die Einstellung vorgenommen haben, blinkt die LCD-Anzeige 3 Sekunden lang, und die Digitalanzeige zeigt null an.
- ◆ Bringen Sie ggf. den Universalventiladapter und das gewünschte Zubehör an dem aufzublasenden Gegenstand an, und stellen Sie sicher, dass sich der Hebel in der unteren Stellung befindet, um diesen zu sichern.
- ◆ Drücken Sie zum Einschalten des Kompressors den Ein-/Ausschalter (7) auf der digitalen Druckanzeige.

**Hinweis:** Wenn die Stromquelle entfernt wird, werden alle Einstellungen gelöscht und müssen mithilfe der Anweisungen im Abschnitt „Festlegen des erforderlichen Drucks“ erneut vorgenommen werden.

- ◆ Das Gerät wird automatisch ausgeschaltet, wenn der aufzublasende Gegenstand den voreingestellten Druck erreicht hat.

**Hinweis:** Sie können den Kompressor jederzeit ausschalten, indem Sie den Ein-/Ausschalter (7) auf der digitalen Druckanzeige drücken.

- ◆ Entfernen Sie den Ventiladapter bzw. das Zubehör von dem aufzublasenden Gegenstand, und trennen Sie das Gerät von der Stromquelle.

**Verwenden des Kompressors als Druckanzeige**

- ◆ Stellen Sie sicher, dass das Gerät angeschlossen ist, wie im Abschnitt „Stromversorgung des Geräts“ beschrieben.
- ◆ Bringen Sie ggf. den Universalventiladapter und das gewünschte Zubehör an dem aufzublasenden Gegenstand an, und stellen Sie sicher, dass sich der Hebel in der unteren Stellung befindet, um diesen zu sichern.
- ◆ Auf der Anzeige wird der aktuelle Druck des Gegenstands angezeigt.

**Wartung**

Ihr Black & Decker Gerät wurde im Hinblick auf eine lange Lebensdauer und einen möglichst geringen Wartungsaufwand entwickelt. Ein dauerhafter, einwandfreier Betrieb setzt eine regelmäßige Pflege und Reinigung voraus.

**Achtung!** Ziehen Sie den Netzstecker des Geräts aus der Steckdose, bevor Sie mit Wartungs- oder Reinigungsarbeiten am Gerät beginnen.

- ◆ Wischen Sie das Gerät gelegentlich mit einem feuchten Tuch ab. Verwenden Sie keine scheuernden Reinigungsmittel oder Reinigungsmittel auf Lösungsmittelbasis. Tauchen Sie das Gerät nicht in Wasser.

**Problembehebung**

Problem	Mögliche Ursache	Mögliche Lösung
Das Gerät startet nicht.	Das Kabel ist nicht angeschlossen.	Schließen Sie das Gerät an eine funktionierende Steckdose an.
	Es wurde kein Wert für die automatische Abschaltung festgelegt.	Richten Sie die automatische Abschaltung ein.
	Der voreingestellte Wert ist niedriger als der tatsächliche Druck.	Legen Sie den voreingestellten Wert auf einen höheren Wert fest.
	Die Sicherung des 12-Volt-Adapters ist durchgebrannt.	Ersetzen Sie diese mit einer Sicherung derselben Größe und desselben Typs (8 A/250 V).
	Das Kabel oder der Schalter ist defekt.	Lassen Sie das Kabel oder den Schalter in einer Black & Decker Vertragswerkstatt oder einer anderen autorisierten Werkstatt austauschen.

**Austauschen des Netzsteckers (nur Großbritannien und Irland)**

Gehen Sie folgendermaßen vor, wenn ein neuer Netzstecker angeschlossen werden muss:

- ◆ Entsorgen Sie den alten Stecker auf sachgerechte Weise.
- ◆ Verbinden Sie die braune Leitung mit dem spannungsführenden Anschluss des Steckers.
- ◆ Verbinden Sie die blaue Leitung mit dem neutralen Anschluss.

**Achtung!** Der Erdleiter wird nicht angeschlossen. Befolgen Sie die Anleitungen, die dem Stecker beiliegen. Empfohlene Sicherung: 3 A.

**Umweltschutz**



Getrennte Entsorgung. Dieses Produkt darf keinesfalls mit dem Hausmüll entsorgt werden.

Sollten Sie Ihr Black & Decker Produkt eines Tages ersetzen oder nicht mehr benötigen, entsorgen Sie es nicht mit dem Hausmüll. Führen Sie das Produkt einer getrennten Sammlung zu.



Durch die separate Sammlung von ausgedienten Produkten und Verpackungsmaterialien können Rohstoffe recycelt und wiederverwendet werden. Die Wiederverwendung aufbereiteter Materialien trägt zur Vermeidung der Umweltverschmutzung bei und senkt den Rohstoffbedarf.

Die Verordnung zur Abfallentsorgung Ihrer Gemeinde sieht möglicherweise vor, dass Elektrogeräte getrennt vom Hausmüll gesammelt an der örtlichen Abfallentsorgungseinrichtung abgegeben oder beim Kauf eines neuen Produkts vom Fachhandel zur Entsorgung angenommen werden müssen.

Black & Decker nimmt Ihre ausgedienten Black & Decker Geräte gern zurück und sorgt für eine umweltfreundliche Entsorgung bzw. Wiederverwertung. Um diese Dienstleistung in Anspruch zu nehmen, geben Sie das Gerät bitte bei einer autorisierten Reparaturwerkstatt ab, die für uns die Einsammlung übernimmt.

Bitte fragen Sie Ihre zuständige Black & Decker Niederlassung (Adresse in dieser Anleitung) nach einer Vertragswerkstatt in Ihrer Nähe. Eine Liste der Vertragswerkstätten und aller Kundendienststellen von Black & Decker sowie der zuständigen Ansprechpartner finden Sie auch im Internet unter: [www.2helpU.com](http://www.2helpU.com).

**Technische Daten**

ASI300	
Eingangsspannung	V AC/V DC 230/12
Eingangsstrom	A 0,5/8
Schallpegel	db 84
Druck (max.)	kPa/psi/bar 1103 / 160 / 11,03
Gewicht	kg 1,93

**EU-Konformitätserklärung**

ASI300 TYPE 2

Black & Decker erklärt, dass diese Produkte den folgenden Normen entsprechen:  
Normen und gesetzliche Vorschriften.  
EN 60335, 2006/95/EC

Der Unterzeichnete ist verantwortlich für die Zusammenstellung der technischen Daten und gibt diese Erklärung im Namen von Black & Decker ab.



Kevin Hewitt  
Director of Consumer Engineering  
Spennymoor, County Durham, DL16 6JJ  
Großbritannien  
06.07.2009

Zur Inanspruchnahme dieser Garantie ist dem Verkäufer bzw. der Vertragswerkstatt ein Kaufnachweis vorzulegen. Die Adresse der zuständigen Niederlassung von Black & Decker steht in dieser Anleitung. Dort teilt man Ihnen gerne die nächstgelegene Vertragswerkstatt mit. Außerdem ist eine Liste der Vertragswerkstätten und aller Kundendienststellen von Black & Decker sowie der zuständigen Ansprechpartner im Internet zu finden unter: [www.2helpU.com](http://www.2helpU.com).

Bitte besuchen Sie unsere Website [www.blackanddecker.de](http://www.blackanddecker.de), um Ihr neues Black & Decker Produkt zu registrieren. Dort erhalten Sie auch Informationen über neue Produkte und Sonderangebote. Weitere Informationen über die Marke Black & Decker und unsere Produkte finden Sie unter [www.blackanddecker.de](http://www.blackanddecker.de).

**Garantie**

Black & Decker vertraut auf die Qualität der eigenen Geräte und bietet dem Käufer eine außergewöhnliche Garantie. Diese Garantiezusage versteht sich unbeschadet der gesetzlichen Gewährleistungsansprüche und schränkt diese keinesfalls ein. Sie gilt in sämtlichen Mitgliedstaaten der Europäischen Union und der Europäischen Freihandelszone EFTA.

Tritt innerhalb von 24 Monaten ab Kaufdatum an einem Gerät von Black & Decker ein auf Material- oder Verarbeitungsfehler bzw. auf Nichterfüllung von Normen zurückzuführender Mangel auf, garantiert Black & Decker den Austausch defekter Teile, die Reparatur von Geräten mit üblichem Verschleiß bzw. den Austausch eines mangelhaften Geräts, ohne dass dem Kunden dabei mehr als unvermeidliche Unannehmlichkeiten entstehen, allerdings vorbehaltlich folgender Ausnahmen:

- ◆ wenn das Gerät gewerblich, beruflich oder im Verleihgeschäft verwendet wurde;
- ◆ wenn das Gerät missbräuchlich verwendet oder mit mangelnder Sorgfalt behandelt wurde;
- ◆ wenn das Gerät durch Fremdeinwirkung beschädigt wurde;
- ◆ wenn ein unbefugter Reparaturversuch durch anderes Personal als das einer Vertragswerkstatt oder des Black & Decker Kundendiensts unternommen wurde.

## Utilisation

Votre gonfleur Black & Decker est conçu pour être utilisé dans et autour de la maison en branchant le fil de 230 V ou dans la plupart des véhicules avec le fil 12 Vcc grâce à l'adaptateur 12 V. Il vous permet de gonfler les pneus de voiture et de bicyclette, les ballons, les bateaux, les piscines, les matelas, etc. Ce produit est destiné à une utilisation exclusivement domestique.

## Consignes de sécurité

**Attention !** De simples précautions sont à prendre pour l'utilisation d'appareil branché à l'alimentation principale.

Les conseils suivants doivent toujours être appliqués, ceci afin de réduire le risque d'incendie, les chocs électriques, les blessures et les dommages matériels.

- ◆ Lisez attentivement et entièrement le manuel avant d'utiliser l'appareil.
- ◆ Ce manuel décrit la manière d'utiliser cet appareil. L'utilisation d'un accessoire ou d'une fixation, ou bien l'utilisation de cet appareil à d'autres fins que celles recommandées dans ce manuel d'instructions peut présenter un risque de blessures.
- ◆ Gardez ce manuel pour référence ultérieure.

## Utilisation de votre appareil

Prenez toutes les précautions nécessaires pour utiliser l'appareil.

- ◆ Cet appareil n'est pas destiné à être utilisé par des personnes jeunes ou déficientes sans surveillance.
- ◆ Cet appareil ne doit pas être utilisé comme jouet.
- ◆ Ne laissez pas les enfants ou les animaux s'approcher de la zone de travail ou toucher l'appareil ou le fil électrique.
- ◆ Les enfants doivent être surveillés avec attention s'ils se trouvent près de l'appareil pendant l'utilisation.
- ◆ Il doit toujours être utilisé dans des endroits secs et, en aucun cas être mouillé.
- ◆ Ne plongez pas l'appareil dans l'eau.
- ◆ N'ouvrez pas le boîtier. Il n'y a aucune pièce réparable par l'utilisateur à l'intérieur.
- ◆ N'utilisez pas l'appareil dans un environnement présentant des risques d'explosion, ni en présence de liquides, gaz ou poussières inflammables.
- ◆ Pour limiter le risque d'endommagement des prises et des fils électriques, ne débranchez jamais l'appareil en tirant sur le câble.

## Mesures de sécurité

- ◆ Cet appareil ne doit pas être utilisé par des personnes (y compris les enfants) ayant des déficiences physiques, mentales ou sensorielles. Cette consigne s'applique aussi aux personnes manquant d'expérience et de connaissance du matériel, à moins que celles-ci n'aient reçu les instructions appropriées ou qu'elles ne soient encadrées par une personne responsable de leur sécurité pour utiliser l'appareil.
- ◆ Ne laissez jamais les enfants sans surveillance afin d'éviter qu'ils ne jouent avec cet appareil.

## Après l'utilisation

- ◆ Quand il n'est pas utilisé, l'appareil doit être rangé dans un endroit suffisamment aéré, sec et hors de portée des enfants.
- ◆ Les enfants ne doivent pas avoir accès aux appareils rangés.
- ◆ Quand l'appareil est rangé ou transporté dans un véhicule, il doit être installé dans le coffre ou correctement calé pour éviter les mouvements dus aux changements de direction ou de vitesse.

## Vérification et réparations

- ◆ Avant l'utilisation, vérifiez si les pièces de l'appareil sont en bon état. Recherchez des pièces cassées, des boutons endommagés et d'autres anomalies susceptibles de nuire au bon fonctionnement de l'appareil.
- ◆ N'utilisez pas l'appareil si une pièce est endommagée ou défectueuse.
- ◆ Faites réparer ou remplacer les pièces défectueuses ou endommagées par un réparateur agréé.
- ◆ Ne tentez jamais de retirer ou de remplacer des pièces autres que celles citées dans ce manuel.

## Consignes de sécurité supplémentaires pour gonfleurs

- ◆ Pour la maison et la voiture uniquement. Gonflez les pneus des bicyclettes et des voitures, ballons, piscines et tout autres accessoires.
- ◆ L'air comprimé de votre gonfleur n'est pas bon pour la santé. N'aspirez jamais l'air provenant de votre gonfleur ou d'un appareil connecté au gonfleur.
- ◆ Respectez les recommandations du fabricant pour gonfler. Trop de pression pourrait entraîner une explosion et blesser des personnes.
- ◆ Ne laissez pas le gonfleur fonctionner sans surveillance. Les pneus ou autres éléments pourraient éclater.

- ◆ Les vibrations peuvent provoquer un déplacement du gonfleur. Ne l'utilisez pas sur une étagère ou une autre surface en hauteur. Il ne peut être utilisé que posé sur le sol ou sur un établi.
- ◆ N'apportez aucune modification et n'effectuez aucune réparation. Ne le percez pas, ne le soudez pas ou n'apportez aucune modification au gonfleur ou à ses fixations.
- ◆ Ne faites pas fonctionner le gonfleur quand le moteur tourne.
- ◆ Ne faites fonctionner qu'avec les accessoires proposés ou ceux dont la valeur nominale est de 11,03 bars/160 psi ou plus. L'utilisation d'accessoires non recommandés pour cet appareil peut être dangereuse.
- ◆ Ne jouez pas avec l'appareil. L'air sous haute pression est dangereux. N'orientez pas la source d'air vers vous ou vers les autres.
- ◆ Le gonfleur peut devenir chaud pendant l'utilisation. Laissez le gonfleur refroidir pendant 30 minutes avant de le ranger.
- ◆ Ne transportez jamais le gonfleur par le tuyau.
- ◆ N'orientez jamais l'embout ou le tuyau vers des animaux ou des personnes.
- ◆ Rangez le gonfleur hors de portée des jeunes enfants.
- ◆ L'indicateur n'est à utiliser qu'à titre indicatif. La pression des pneus doit être vérifiée régulièrement avec un appareil homologué.
- ◆ Avant l'utilisation, vérifiez l'état du fil électrique (dommages, usures et vieillissement).
- ◆ N'utilisez pas l'appareil si le fil électrique ou la prise sont endommagés ou défectueux (si applicable).

### Sécurité électrique



Cet appareil/outil est doublement isolé. Par conséquent, aucun câble de mise à la terre n'est nécessaire. Vérifiez si l'alimentation mentionnée sur la plaque signalétique de l'appareil correspond bien à la tension présente sur le lieu.

Utilisez un dispositif de courant résiduel (RCD) à grande sensibilité (30 mA/30 mS) pour améliorer la sécurité électrique.

Si le câble d'alimentation est endommagé, il doit être remplacé par le fabricant ou par un Centre de réparation agréé Black & Decker pour éviter tout risque.

### Les symboles d'avertissement suivants se trouvent sur l'appareil/outil :



Lisez ce manuel d'instructions avant l'utilisation du gonfleur.



N'exposez pas l'appareil à la pluie ni à l'humidité.



Avant d'effectuer des réparations ou un nettoyage de l'appareil, débranchez-le.



Ne laissez pas le gonfleur sans surveillance.

### Éléments

1. Couvercle du boîtier de rangement
2. Indicateur de pression
3. Tuyau d'air avec adaptateur de valve universelle
4. Adaptateur et fil 12 V c.c
5. Prise et fil et prise 230 V c.a

### Utilisation

#### Rangement du fil et du tuyau d'air

Le tuyau d'air (3) et le fil c.a (5) sont rangés dans le boîtier de rangement (1) sur le dessus du gonfleur (figure A). Les trous des deux côtés du couvercle (1) permettent de sortir le tuyau et le fil du boîtier. Le couvercle peut ainsi être fermé pendant l'utilisation du gonfleur. Le fil c.c (4) peut être rangé dans le boîtier de rangement (9) (figure D) à l'arrière du gonfleur.

#### Fixation des accessoires (figures B et E)

Des embouts coniques standards et un embout à aiguille (6) sont fournis avec votre gonfleur. Ils se trouvent à la base de l'appareil (figure E).

- ◆ Assurez-vous que le levier est relevé pour pouvoir utiliser l'adaptateur de valve universelle.
- ◆ Placez l'adaptateur de valve sur la tige de l'aiguille de gonflage ou sur l'embout conique (figure B).
- ◆ Appuyez sur le levier pour bloquer l'adaptateur en position.
- ◆ Placez l'aiguille de gonflage ou l'embout conique dans le pneumatique à gonfler.

**Remarque :** assurez-vous que le levier est relevé quand l'appareil n'est pas utilisé.

Ne faites fonctionner votre gonfleur qu'avec l'adaptateur de valve universelle ou les embouts fournis.

**Remarque :** assurez-vous que l'adaptateur est fermement enclenché avant de mettre le gonfleur en marche.

La plupart des pneumatiques ont un clapet interne qui empêche l'air de s'échapper pendant le processus de gonflage. Si ce clapet est déplacé par l'embout, le pneumatique ne pourra être gonflé. Poussez l'embout fermement dans la valve pour que le clapet s'ouvre.

Installez l'aiguille de gonflage dans un des embouts coniques et enclenchez les embouts dans les fentes en bas du gonfleur (figure E).

**Attention !** Une pression d'air trop forte risque de provoquer un éclatement ou des blessures. Demandez au fabricant la valeur nominale de la pression pour les pneumatiques à gonfler.

**Remarque :** si la valeur nominale est supérieure à 100 psi, notez que le gonfleur ne peut être utilisé que 10 minutes. Attendez 20 minutes avant de réutiliser l'appareil.

### Indicateur de pression (figure C)

Votre gonfleur est équipé d'un indicateur de pression (2) qui s'arrête automatiquement quand la pression prédéterminée est atteinte. L'indicateur de pression, qui se trouve sur le dessus du gonfleur, affiche le relevé de pression en psi, bar ou kPa. Pour les pneus de véhicule, il est recommandé d'effectuer le relevé avec un autre indicateur de pression.

### Alimentation de l'appareil (figures C et D)

**Attention !** N'utilisez pas l'appareil avec les deux sources d'alimentation en même temps.

#### Mode 230 Vca

Tirez toujours complètement le fil 230 Vca avant chaque utilisation.

- ◆ Branchez le fil 230 V (5) dans une prise secteur appropriée.

#### Mode 12 Vcc

**Attention !** Ne faites pas fonctionner le gonfleur quand le moteur tourne.

**Remarque :** vérifiez que la prise accessoire 12 V est alimentée. Sur certains véhicules, la clé de contact doit être en position Accessoires pour que la prise soit sous tension.

- ◆ Tirez toujours complètement le fil 12 Vcc avant chaque utilisation.
- ◆ Branchez le fil 12 V dans la prise (8) à l'intérieur du boîtier de rangement et branchez l'adaptateur 12 V (4) dans la prise accessoire 12 V de votre véhicule.

### Réglage de la pression requise (figure C)

**Attention !** Ne laissez pas le gonfleur fonctionner sans surveillance. Les pneus ou autres pneumatiques pourraient éclater.

**Remarque :** la coupure automatique doit être sélectionnée avant de faire fonctionner l'appareil.

Que la source d'alimentation soit en courant continu ou alternatif, l'écran s'allume.

- ◆ Appuyez simultanément et de manière prolongée sur les boutons + et - pour sélectionner les unités requises, psi, bar ou kPa.

**Attention !** Une pression d'air trop forte risque de provoquer un éclatement ou des blessures. Demandez au fabricant la valeur nominale de pression pour les pneumatiques à gonfler.

- ◆ Appuyez sur les boutons + ou - pour régler la pression requise.
- ◆ Une fois réglé, l'écran clignote pendant 3 secondes et le chiffre 0 s'affiche.
- ◆ Connectez l'adaptateur de valve universelle et les accessoires, le cas échéant, au pneumatique à gonfler, en vous assurant que le levier de l'adaptateur de valve est verrouillé vers le bas.
- ◆ Pour mettre le gonfleur en marche, appuyez sur le bouton marche/arrêt (7) qui se trouve sur l'indicateur numérique.

**Remarque :** s'il n'y a plus de source d'alimentation, tous les réglages s'annulent. Il faudra de nouveau les sélectionner selon les instructions données dans la section Réglage de la pression requise.

- ◆ Quand le pneumatique à gonfler atteint la valeur préréglée, le gonfleur s'arrête automatiquement.

**Remarque :** pour arrêter le gonfleur à n'importe quel moment, appuyez sur le bouton marche/arrêt (7) qui se trouve sur l'indicateur numérique.

- ◆ Retirez l'adaptateur de valve ou l'accessoire du pneumatique à gonfler et débranchez l'appareil de la source d'alimentation.

### Utilisation du gonfleur comme indicateur de pression

- ◆ Assurez-vous que l'appareil est alimenté comme décrit dans la section Alimentation du gonfleur.
- ◆ Connectez l'adaptateur de valve universelle et les accessoires, le cas échéant, au pneumatique à gonfler, en vous assurant que le levier de l'adaptateur de valve est verrouillé vers le bas.
- ◆ La pression actuelle est alors affichée sur l'appareil.

## Entretien

Votre appareil Black & Decker a été conçu pour fonctionner pendant longtemps avec un minimum d'entretien.

Un fonctionnement continu satisfaisant dépend d'un nettoyage régulier et d'un entretien approprié.

**Attention !** Avant d'effectuer des réparations ou un nettoyage de l'appareil, débranchez-le.

- ◆ De temps en temps, passez un chiffon humide sur l'appareil. N'utilisez pas de produit abrasif ou à base de solvant. Ne plongez pas l'appareil dans l'eau.

## Dépannage

Problème	Cause possible	Solution possible
L'appareil ne démarre pas.	Le fil n'est pas branché.	Branchez l'outil dans la prise murale.
	La valeur du dispositif d'arrêt automatique n'est pas définie.	Réglez le dispositif d'arrêt automatique.
	La valeur préréglée peut être inférieure à la pression actuelle.	Ajustez la valeur préréglée à une valeur supérieure.
	Le fusible dans l'adaptateur 12 V est grillé.	Remplacez avec un fusible de même type et dimension (8 A/250 V).
	Le fil ou le bouton est endommagé.	Faites remplacer le fil ou le bouton dans un centre de service Black & Decker ou dans un centre de service agréé.

## Remplacement des prises secteur (RU et Irlande uniquement)

Si une nouvelle prise secteur doit être installée :

- ◆ Mettez au rebut la vieille prise.
- ◆ Branchez le fil brun dans la borne de la nouvelle prise.
- ◆ Branchez le fil bleu à la borne neutre.

**Attention !** Aucune connexion ne doit être faite à la borne de terre. Suivez les instructions de montage fournies avec les prises de bonne qualité. Fusibles recommandés : 3 A.

## Protection de l'environnement



Recyclage. Cet appareil ne doit pas être jeté avec les déchets ménagers.

Si votre appareil Black & Decker doit être remplacé ou si vous n'en avez plus l'usage, ne le jetez pas avec les ordures ménagères. Songez à la protection de l'environnement et recyclez-le.



La collecte séparée des produits et des emballages usagés permet de recycler et de réutiliser des matériaux. La réutilisation de matériaux recyclés évite la pollution de l'environnement et réduit la demande de matières premières.

Des réglementations locales peuvent stipuler la collecte séparée des produits électriques et des produits ménagers, dans des déchetteries municipales ou par le revendeur lorsque vous achetez un nouveau produit.

Black & Decker offre une solution permettant de recycler les produits Black & Decker lorsqu'ils ont atteint la fin de leur cycle de vie. Pour pouvoir profiter de ce service, veuillez retourner votre produit à un réparateur agréé qui se chargera de le collecter pour nous.

Pour connaître l'adresse du réparateur agréé le plus proche de chez vous, contactez le bureau Black & Decker à l'adresse indiquée dans ce manuel. Vous pourrez aussi trouver une liste de réparateurs agréés de Black & Decker et de plus amples détails sur notre service après-vente sur le site Internet à l'adresse suivante : [www.2helpU.com](http://www.2helpU.com).

## Caractéristiques techniques

ASI300	
Tension d'entrée	Vca/Vcc 230/12
Courant d'entrée	A 0,5/8
Niveau sonore	db 84
Pression (max)	kPa / psi / bar 1103 / 160 / 11,03
Poids	kg 1,93

## Déclaration de conformité CE

ASI300 TYPE 2

Black & Decker déclare que ces produits sont conformes à :  
Normes & législation.  
EN60335, 2006/95/EC

Le soussigné est responsable des données de la fiche technique et fait cette déclaration au nom de Black & Decker

Kevin Hewitt  
Directeur Ingénierie Client  
Spennymoor, County Durham, DL16 6JG  
Royaume-Uni  
06-07-2009

## Garantie

Black & Decker assure la qualité de ses produits et vous offre une garantie très élargie. Ce certificat de garantie est un document supplémentaire et ne peut en aucun cas se substituer à vos droits légaux. La garantie est valable sur tout le territoire des États Membres de l'Union Européenne et de la Zone de Libre Échange Européenne.

Si un produit Black & Decker s'avère défectueux en raison de matériaux en mauvais état, d'une erreur humaine, ou d'un manque de conformité dans les 24 mois suivant la date d'achat, Black & Decker garantit le remplacement des pièces défectueuses, la réparation des produits usés ou cassés ou remplace ces produits à la convenance du client, sauf dans les circonstances suivantes :

- ◆ Le produit a été utilisé dans un but commercial, professionnel, ou a été loué.
- ◆ Le produit a été mal utilisé ou mal entretenu.
- ◆ Le produit a subi des dommages à cause de corps étrangers, de substances ou d'accidents.
- ◆ Des réparations ont été tentées par des techniciens ne faisant pas partie du service technique de Black & Decker.

Pour avoir recours à la garantie, il est nécessaire de fournir une preuve d'achat au vendeur ou à un réparateur agréé. Pour connaître l'adresse du réparateur agréé le plus proche de chez vous, contactez le bureau Black & Decker à l'adresse indiquée dans ce manuel. Vous pourrez aussi trouver une liste de réparateurs agréés de Black & Decker et de plus amples détails sur notre service après-vente sur le site Internet à l'adresse suivante : [www.2helpU.com](http://www.2helpU.com).

Visitez notre site Web [www.blackanddecker.fr](http://www.blackanddecker.fr) pour enregistrer votre nouveau produit Black & Decker et être informé des nouveaux produits et des offres spéciales. Pour plus d'informations concernant la marque Black & Decker et notre gamme de produits, consultez notre site [www.blackanddecker.fr](http://www.blackanddecker.fr).



## Usò previsto

Il compressore Black & Decker è stato progettato per essere utilizzato in casa usando il filo di alimentazione da 230 V, oppure sulla maggior parte dei veicoli con il proprio filo di alimentazione da 12 V c.c. e l'apposito adattatore da 12 V, per gonfiare pneumatici di macchine e biciclette, palloni e così via. Questo prodotto è stato progettato solo per un uso individuale.

## Istruzioni di sicurezza

**Attenzione!** Quando si usano elettrodomestici alimentati elettricamente, osservare sempre le normali precauzioni di sicurezza per ridurre il rischio di incendio, scosse elettriche, lesioni personali e danni materiali.

- ◆ Leggere attentamente il presente manuale prima di usare l'elettrodomestico.
- ◆ L'uso previsto è descritto nel presente manuale. Se questo elettrodomestico viene usato con accessori o per usi diversi da quelli raccomandati nel presente manuale d'uso, si potrebbero verificare lesioni personali.
- ◆ Conservare il presente manuale per futura consultazione.

## Utilizzo dell'elettrodomestico

Prestare sempre attenzione quando si usa l'elettrodomestico.

- ◆ L'utilizzo di questo elettrodomestico non è destinato a ragazzi o persone inferme senza supervisione.
- ◆ Questo elettrodomestico non deve essere usato come un giocattolo.
- ◆ Vietare a bambini o ad animali di avvicinarsi all'area di lavoro o di toccare l'elettrodomestico o il filo di alimentazione.
- ◆ Prestare la massima attenzione quando si usa l'elettrodomestico vicino ai bambini.
- ◆ Usare solo in un luogo asciutto. Evitare che l'elettrodomestico si bagni.
- ◆ Non immergere l'elettrodomestico in acqua.
- ◆ Non aprire il corpo dell'elettrodomestico, dato che al suo interno non vi sono componenti riparabili.
- ◆ Evitare d'impiegare questo apparecchio in ambienti esposti al rischio di esplosione, ad esempio in presenza di liquidi, gas o polveri infiammabili.
- ◆ Per ridurre il rischio di danni a spine o fili, non tirare mai il filo per scollegare la spina da una presa.

## Sicurezza altrui

- ◆ Questo elettrodomestico non è stato progettato per impiego da parte di persone (o bambini) portatrici di handicap fisici, psichici o sensoriali o che non abbiano la dovuta esperienza o conoscenza, a meno che non siano seguite o opportunamente istruite sul suo impiego da parte di una persona responsabile della loro sicurezza.
- ◆ Controllare che i bambini non giochino con l'elettrodomestico.

## Dopo l'impiego

- ◆ Quando non viene usato, l'elettrodomestico deve essere conservato in un luogo asciutto e ben ventilato, fuori dalla portata dei bambini.
- ◆ Gli elettrodomestici non devono essere riposti alla portata dei bambini.
- ◆ Se viene conservato o trasportato in un veicolo, l'apparecchio deve essere messo nel bagagliaio o legato per evitare che si sposti in caso di cambiamento repentino della velocità o della direzione di marcia.

## Ispezione e riparazioni

- ◆ Prima dell'impiego, controllare che l'elettrodomestico non sia danneggiato e non presenti parti difettose. Controllare che non vi siano parti rotte, che gli interruttori non siano danneggiati e che non vi siano altre condizioni che potrebbero avere ripercussioni sulle prestazioni.
- ◆ Non usare l'elettrodomestico se alcune parti sono danneggiate o difettose.
- ◆ Far riparare o sostituire le parti danneggiate o difettose da un tecnico autorizzato.
- ◆ Non tentare di smontare o sostituire qualsiasi parte ad eccezione di quelle specificate nel presente manuale.

## Altre precauzioni di sicurezza per i compressori

- ◆ Solo per uso domestico o sulla propria auto. Per gonfiare pneumatici di macchine e biciclette, palloni, materassini gonfiabili e molti altri articoli domestici.
- ◆ L'aria compressa erogata dal compressore non può essere respirata. Non respirare mai l'aria erogata dal compressore o da un respiratore collegato al compressore.

- ◆ Gonfiare i vari articoli solo in base alle raccomandazioni del fabbricante. Se si supera la pressione nominale indicata, si può causare l'esplosione degli articoli gonfiati oltre a lesioni personali.
- ◆ Non lasciare che il compressore funzioni incustodito dato che potrebbe far scoppiare pneumatici o altri articoli.
- ◆ Dato che le vibrazioni prodotte dal compressore ne potrebbero causare lo spostamento, non farlo funzionare su di un ripiano o su altre superfici sopraelevate. Usarlo solo da terra o su di un banco da lavoro.
- ◆ Non modificarlo e non tentare di ripararlo. Non trapanare, saldare o apportare mai modifiche al compressore o ai rispettivi accessori.
- ◆ Non far funzionare il compressore quando il motore è acceso.
- ◆ Farlo funzionare solo con gli accessori forniti o con quelli con taratura nominale di 11,03 bar/160 psi o superiore. L'uso di accessori non raccomandati per impiego con questo elettrodomestico potrebbe essere pericoloso.
- ◆ Non giocare con questo elettrodomestico. L'alta pressione è pericolosa. Non puntare il getto d'aria contro sé stessi o altri.
- ◆ Il compressore potrebbe riscaldarsi durante l'impiego. Lasciare che il compressore si raffreddi per 30 minuti prima di metterlo via.
- ◆ Non trasportare mai il compressore afferrandolo dal tubo di alimentazione dell'aria.
- ◆ Non puntare l'ugello o il tubo verso animali o astanti.
- ◆ Riporre il compressore lontano dalla portata dei bambini.
- ◆ Il manometro funge solo da guida. La pressione dei pneumatici deve essere controllata regolarmente con un manometro omologato.
- ◆ Prima dell'uso, controllare che il filo di alimentazione non presenti segni di danni, invecchiamento e usura.
- ◆ Non usare l'elettrodomestico se il filo di alimentazione o la spina sono danneggiati o difettosi (se pertinente).

## Sicurezza elettrica



Il doppio isolamento di cui è provvisto l'elettrodomestico/apparecchio rende superfluo il filo di terra. Controllare sempre che l'alimentazione corrisponda alla tensione indicata sulla targhetta delle caratteristiche.

La sicurezza elettrica può essere ulteriormente aumentata utilizzando un dispositivo a corrente residua (RCD) ad alta sensibilità (30 mA/30 mS).

In caso di danneggiamento del cavo di alimentazione, è necessario farlo riparare dal fabbricante o presso un centro assistenza Black & Decker autorizzato in modo da evitare eventuali pericoli.

## I seguenti simboli di avvertenza sono stampigliati sull'elettrodomestico/apparecchio:



Leggere il presente manuale d'uso prima di usare il compressore.



Non esporre l'elettrodomestico alla pioggia o a un'umidità intensa.



Prima di eseguire la manutenzione o di pulire l'elettrodomestico, scollegare il filo di alimentazione dalla presa.



Non lasciare il compressore incustodito.

## Caratteristiche

1. Coperchio vano portaoggetti
2. Manometro
3. Tubo di alimentazione dell'aria con adattatore valvola universale
4. Filo di alimentazione da 12 V c.c. con adattatore
5. Filo di alimentazione da 230 V c.a. e spina

## Utilizzo

### Tubo di alimentazione dell'aria e vano portafilato

Il tubo di alimentazione dell'aria (3) e il filo di alimentazione c.a. (5) sono riposti nel vano (1) sulla parte superiore del compressore (fig. A). I fori da ambo i lati del coperchio (1) permettono l'uscita del tubo e del filo di alimentazione dal vano, in modo da poterne chiudere il coperchio quando il compressore è in uso. Il filo di alimentazione c.c. (4) è alloggiato nell'apposito vano (9) (fig. D) sul retro del compressore.

### Montaggio degli accessori (figg. B ed E)

Il compressore viene fornito con le ghiera coniche standard e l'ugello di gonfiaggio ad ago (6); questi componenti si trovano alla base dell'elettrodomestico (fig. E).

- ◆ Per usare l'adattatore valvola, verificare che la leva sia sollevata.
- ◆ Mettere l'adattatore valvola sopra lo stelo dell'ago o la ghiera conica (fig. B).
- ◆ Abbassare la leva sull'adattatore per bloccarlo in sede.
- ◆ Infilare l'ago o la ghiera conica nell'articolo da gonfiare.

**Nota:** Verificare sempre che la leva sia sollevata quando l'elettrotensile non è usato.

Azionare il compressore solo con l'adattatore valvola universale o con le ghiera fornite.

**Nota:** Accertarsi che l'adattatore valvola universale sia saldamente bloccato in sede prima di accendere il compressore.

Molti articoli gonfiabili sono dotati di deflettore interno che impedisce la perdita di aria durante il gonfiaggio. Se questo deflettore non viene spostato dalla ghiera, l'articolo da gonfiare non può essere gonfiato. Calzare saldamente la ghiera sulla valvola per essere sicuri di aprire questo deflettore.

Conservare l'ago di gonfiaggio all'interno di una delle ghiera coniche e agganciare le ghiera coniche nelle apposite fessure situate alla base del compressore (fig. E).

**Attenzione!** Una pressione dell'aria eccessiva può causare lo scoppio dell'articolo in oggetto o lesioni personali.

Controllare il valore nominale massimo della pressione indicato dal fabbricante degli articoli che si stanno gonfiando.

**Nota:** Se il valore nominale della pressione dell'articolo che si sta gonfiando è superiore a 100 psi, tenere presente che il tempo di funzionamento massimo è di 10 minuti, seguito da un periodo di riposo di 20 minuti, prima del successivo riutilizzo.

### Manometro (fig. C)

Il compressore è dotato di manometro (2) incorporato che lo spegne automaticamente non appena viene raggiunta una pressione pretarata. Il manometro, situato sulla parte superiore del compressore, indica la pressione in psi, bar o kPa. Per i pneumatici automobilistici, si consiglia di controllare il valore della pressione anche con un altro manometro per pneumatici.

### Accensione dell'elettrotensile (figg. C e D)

**Attenzione!** Non collegare contemporaneamente l'elettrotensile a entrambe le fonti di alimentazione.

### Modalità da 230 V c.a.

Allungare sempre completamente il filo di alimentazione da 230 V c.a. prima di ciascun impiego.

- ◆ Collegare il filo da 230 V (5) a un'alimentazione di rete idonea.

### Modalità da 12 V c.c.

**Attenzione!** Non far funzionare il compressore quando il motore dell'auto è acceso.

**Nota:** Verificare che la presa accessori da 12 V sia sotto tensione. Su alcuni veicoli, la presa accessori è sotto tensione solo quando la chiave di accensione si trova sulla posizione accessori.

- ◆ Allungare sempre completamente il filo da 12 V c.c. prima di ciascun impiego.
- ◆ Collegare il filo di alimentazione da 12 V alla presa (8) nel vano e inserire l'adattatore da 12 V (4) nella presa accessori da 12 V del veicolo.

### Impostazione della pressione richiesta (fig. C)

**Attenzione!** Non lasciare che il compressore funzioni incustodito dato che potrebbe far scoppiare pneumatici o altri articoli.

**Nota:** È necessario impostare la funzione di arresto automatico prima che il compressore possa funzionare.

Il display digitale si illumina quando l'elettrotensile è collegato a una fonte di alimentazione c.a. o c.c.

- ◆ Premere e tenere premuti contemporaneamente i pulsanti – e + per selezionare le unità di misura richieste: psi, bar o kPa.

**Attenzione!** Una pressione dell'aria eccessiva può causare lo scoppio dell'articolo in oggetto o lesioni personali.

Controllare il valore nominale massimo indicato dal fabbricante degli articoli che si stanno gonfiando.

- ◆ Premere i pulsanti – o + per impostare la pressione richiesta.
  - ◆ Quando è impostata, il display a cristalli liquidi lampeggia per 3 secondi e quello digitale indica zero.
  - ◆ Collegare l'adattatore valvola universale e gli accessori, se richiesto, all'articolo da gonfiare, verificando che la leva sull'adattatore valvola sia abbassata e bloccata in sede.
  - ◆ Per accendere il compressore, premere l'interruttore di accensione (7) situato sul manometro digitale.
- Nota:** Se la fonte di alimentazione è scollegata, si perderanno tutte le impostazioni che dovranno essere reinserite seguendo le istruzioni al paragrafo "Impostazione della pressione richiesta".
- ◆ Quando l'articolo che si sta gonfiando ha raggiunto il valore pretarato, il compressore si spegne automaticamente.

**Nota:** Per spegnere il compressore in qualsiasi momento, premere l'interruttore di accensione (7) situato sul manometro digitale.

- ◆ Rimuovere l'adattatore valvola o l'accessorio dall'articolo gonfiato e scollegare l'elettrotensile dalla fonte di alimentazione.

### Utilizzo del compressore come manometro

- ◆ Verificare che l'elettrotensile sia alimentato come descritto al paragrafo "Alimentazione del compressore".
- ◆ Collegare l'adattatore valvola universale e gli accessori, se richiesto, all'articolo da gonfiare, verificando che la leva sull'adattatore valvola sia abbassata e bloccata in sede.
- ◆ Il display indica ora il valore effettivo della pressione nell'articolo.

### Manutenzione

Questo elettrotensile Black & Decker è stato progettato per funzionare a lungo con una manutenzione minima. Per ottenere prestazioni sempre soddisfacenti occorre avere cura dell'elettrotensile e sottoporlo a manutenzione periodica.

**Attenzione!** Prima di eseguire la manutenzione dell'elettrotensile oppure di pulirlo, scollegarlo dalla presa.

- ◆ Strofinare di tanto in tanto l'elettrotensile con un panno umido. Non usare materiali abrasivi o detergenti a base di solventi. Non immergere l'elettrotensile in acqua.

### Ricerca guasti

Problema	Possibile causa	Eventuale soluzione
L'elettrotensile non si accende.	Il filo di alimentazione non è collegato.	Collegare l'elettrotensile a una presa di corrente funzionante.
	Valore di arresto automatico non impostato.	Impostare la funzione di arresto automatico.
	Il valore prearato potrebbe essere inferiore alla pressione effettiva.	Regolare il valore prearato su un valore più alto.
	Il fusibile nell'adattatore da 12 V è bruciato.	Sostituire il fusibile con uno del medesimo tipo e potenza (8 A/250 V).
	Il filo di alimentazione o l'interruttore sono danneggiati.	Far sostituire il filo di alimentazione o l'interruttore presso un centro di assistenza o un rivenditore Black & Decker autorizzato.

### Sostituzione della spina (solo Regno Unito e Irlanda)

Se è necessario montare una nuova spina:

- ◆ smaltire in tutta sicurezza quella vecchia;
- ◆ collegare il filo marrone al morsetto sotto tensione della nuova spina;
- ◆ collegare il filo blu al morsetto neutro.

**Attenzione!** Non effettuare nessun collegamento sul morsetto di terra. Seguire le istruzioni fornite con le spine di buona qualità. Fusibile consigliato: 3 A.

### Protezione dell'ambiente



Raccolta differenziata. Questo prodotto non deve essere smaltito con i normali rifiuti domestici.

Nel caso in cui l'elettrotensile Black & Decker debba essere sostituito o non sia più necessario, non smaltirlo con i normali rifiuti domestici. Metterlo da parte per la raccolta differenziata.



La raccolta differenziata dei prodotti e degli imballaggi utilizzati consente il riciclaggio dei materiali e il loro continuo utilizzo. Il riutilizzo dei materiali riciclati favorisce la protezione dell'ambiente prevenendo l'inquinamento e riduce il fabbisogno di materie prime.

Seguire la regolamentazione locale per la raccolta differenziata dei prodotti elettrici che può prevedere punti di raccolta o la consegna dell'elettrotensile al rivenditore presso il quale viene acquistato un nuovo prodotto.

Black & Decker offre ai propri clienti la possibilità di riciclare i prodotti Black & Decker che hanno esaurito la loro vita di servizio. Per usufruire di tale servizio, è sufficiente restituire il prodotto a qualsiasi tecnico autorizzato, incaricato della raccolta per conto dell'azienda.

Per individuare il tecnico autorizzato più vicino, rivolgersi alla sede Black & Decker locale, presso il recapito indicato nel presente manuale. In alternativa, un elenco completo di tutti i tecnici autorizzati Black & Decker e i dettagli completi sui contatti e i servizi post-vendita sono disponibili su Internet presso: **www.2helpU.com**.

**Dati tecnici**

		<b>ASI300</b>
Tensione in ingresso	V c.a./V c.c.	230/12
Corrente in ingresso	A	0,5/8
Valore rumorosità	db	84
Pressione (max)	kPa / psi / bar	1103 / 160 / 11,03
Peso	kg	1,93

**Dichiarazione di conformità CE**

ASI300 TYPE 2

Black & Decker dichiara che i presenti prodotti sono conformi a:

Norme e leggi:  
EN60335, 2006/95/CE

Il sottoscritto è responsabile della redazione di questo documento tecnico e rilascia questa dichiarazione per conto di Black & Decker



Kevin Hewitt  
Direttore tecnico prodotti di consumo  
Spennymoor, County Durham, DL16 6JG  
Regno Unito  
06-07-2009

Per attivare la garanzia è necessario esibire la prova d'acquisto al venditore o al tecnico autorizzato.

Per individuare il tecnico autorizzato più vicino, rivolgersi alla sede Black & Decker locale, presso il recapito indicato nel presente manuale. In alternativa, un elenco completo di tutti i tecnici autorizzati Black & Decker e i dettagli completi sui contatti e i servizi post-vendita sono disponibili su Internet presso: **www.2helpU.com**.

I clienti che desiderano registrare il nuovo prodotto Black & Decker e ricevere gli aggiornamenti sui nuovi prodotti e le offerte speciali, sono invitati a visitare il sito Web **www.blackanddecker.it**. Ulteriori informazioni sul marchio e la gamma di prodotti Black & Decker sono disponibili all'indirizzo **www.blackanddecker.it**.

**Garanzia**

Certa della qualità dei suoi prodotti, Black & Decker offre una garanzia eccezionale. Il presente certificato di garanzia è complementare ai diritti legali e non li pregiudica in alcun modo. La garanzia è valida entro il territorio degli Stati membri dell'Unione Europea e dell'EFTA (European Free Trade Area).

Se un prodotto Black & Decker risulta difettoso per qualità del materiale, della costruzione o per mancata conformità entro 24 mesi dalla data di acquisto, Black & Decker garantisce la sostituzione delle parti difettose, provvede alla riparazione dei prodotti se ragionevolmente usurati oppure alla loro sostituzione, in modo da ridurre al minimo il disagio del cliente a meno che:

- ◆ il prodotto non sia stato destinato ad usi commerciali, professionali o al noleggio;
- ◆ il prodotto non sia stato usato in modo improprio o scorretto;
- ◆ il prodotto non abbia subito danni causati da oggetti o sostanze estranee oppure incidenti;
- ◆ il prodotto non abbia subito tentativi di riparazione non effettuati da tecnici autorizzati né dall'assistenza Black & Decker.

## Beoogd gebruik

De Black & Decker-pomp kan binnen en buiten het huis worden gebruikt met de 230V-stroomkabel. De pomp kan ook via het eigen 12V-snoer (gelijkstroom) worden aangesloten op de meeste voertuigen met een standaard 12V-aansluiting. De pomp is ontworpen voor het oppompen van autobanden, fietsbanden, ballen, enzovoort. Het product is uitsluitend bestemd voor huishoudelijk consumentengebruik.

## Veiligheidsinstructies

**Waarschuwing!** Bij apparaten voor gebruik op de netspanning moeten bepaalde elementaire voorzorgsmaatregelen, waaronder de navolgende, in acht worden genomen om het gevaar voor brand, elektrische schokken, persoonlijk letsel en materiële schade tot een minimum te beperken.

- ◆ Lees deze handleiding zorgvuldig door voordat u het apparaat in gebruik neemt.
- ◆ In deze handleiding wordt ingegaan op het beoogde gebruik. Het gebruik van andere accessoires of hulpstukken dan wel de uitvoering van andere handelingen dan in deze gebruikershandleiding worden aanbevolen, kan tot persoonlijk letsel leiden.
- ◆ Bewaar deze handleiding zorgvuldig zodat u deze altijd nog eens kunt raadplegen.

### Gebruik van het apparaat

Ga bij gebruik van het apparaat altijd voorzichtig te werk.

- ◆ Dit apparaat mag niet zonder supervisie door jonge of lichamelijk zwakke mensen worden gebruikt.
- ◆ Het apparaat mag niet als speelgoed worden gebruikt.
- ◆ Laat kinderen of dieren niet in de buurt van de werkomgeving komen, en evenmin het apparaat of netsnoer aanraken.
- ◆ Let extra goed op wanneer u het apparaat in de buurt van kinderen gebruikt.
- ◆ Gebruik het apparaat alleen in een droge locatie. Het apparaat mag niet nat worden.
- ◆ Dompel het apparaat niet onder in water.
- ◆ Open de behuizing niet. Het apparaat bevat geen onderdelen die door de gebruiker kunnen worden gerepareerd.
- ◆ Gebruik het apparaat niet in een omgeving met explosiegevaar, zoals in de nabijheid van brandbare vloeistoffen, gassen of stof.
- ◆ Haal de stekker nooit uit het stopcontact door aan de kabel te trekken. Zo voorkomt u beschadiging aan de stekker of de kabel.

### Veiligheid van anderen

- ◆ Dit apparaat mag niet worden gebruikt door personen (waaronder kinderen) die lichamelijk of geestelijk mindervalide zijn of die geen ervaring met of kennis van dit apparaat hebben, tenzij ze onder toezicht staan of instructies krijgen wat betreft het gebruik van het apparaat van een persoon die verantwoordelijk is voor hun veiligheid.
- ◆ Houd toezicht op kinderen om ervoor te zorgen dat zij niet met het apparaat gaan spelen.

### Na gebruik

- ◆ Bewaar het apparaat na gebruik op een droge, goed geventileerde plaats, buiten het bereik van kinderen.
- ◆ Zorg dat het bewaarde apparaat niet toegankelijk is voor kinderen.
- ◆ Wanneer het apparaat in de auto ligt, moet u het apparaat in de kofferruimte plaatsen of goed vastzetten, zodat het apparaat niet kan wegschieten bij plotselinge veranderingen in snelheid of richting.

### Inspectie en reparaties

- ◆ Controleer het apparaat vóór gebruik op beschadigingen en defecten. Controleer het vooral op gebroken onderdelen, schade aan de schakelaars en andere omstandigheden die de werking ervan kunnen beïnvloeden.
- ◆ Gebruik het apparaat niet in geval van een of meer beschadigde of defecte onderdelen.
- ◆ Laat beschadigde of defecte onderdelen door een van onze servicecentra repareren of vervangen.
- ◆ Probeer nooit andere onderdelen te verwijderen of vervangen dan in deze handleiding zijn vermeld.

### Aanvullende veiligheidsinstructies voor pompen

- ◆ Uitsluitend voor thuisgebruik en gebruik bij auto's. U kunt auto- en fietsbanden, ballen, opblaasbootjes en nog veel meer in en rondom het huis oppompen.
- ◆ De gecompriëerde lucht van de pomp mag niet worden ingeademd. Adem nooit lucht in van deze pomp of van een ademapparaat dat op de pomp is aangesloten.
- ◆ Pomp objecten uitsluitend op volgens de aanbevelingen van de betreffende fabrikant. Als u de voorgeschreven druk overschrijdt, kan het object exploderen en persoonlijk letsel veroorzaken.
- ◆ Laat de pomp niet onbeheerd achter als deze aanstaat. In dat geval kunnen banden of andere objecten exploderen.
- ◆ De pomp kan gaan 'wandelen' door de trillingen die ontstaan als het apparaat aanstaat. Plaats het apparaat niet op een hoge plank of ander oppervlak. Plaats het apparaat alleen op de grond of op de werkbank.

- ◆ Maak geen aanpassingen aan het apparaat en probeer het niet te repareren. Boor of las niet in het apparaat en pas de pomp en de hulpstukken niet aan.
- ◆ Werk niet met de pomp terwijl de motor draait.
- ◆ Bedien het apparaat uitsluitend met de meegeleverde onderdelen of onderdelen die geschikt zijn voor 11,03 bar/160 psi of hoger. Als u hulpstukken gebruikt die niet worden aanbevolen voor dit gereedschap, kan dat gevaar opleveren.
- ◆ Dit gereedschap is geen speelgoed. Hoge luchtdruk is gevaarlijk. Blaas nooit in de richting van uzelf of een ander.
- ◆ De pomp wordt heet tijdens het gebruik. Laat de pomp 30 minuten afkoelen voordat u het apparaat opbergt.
- ◆ Draag de pomp nooit aan de slang.
- ◆ Wijs de spuitmond of slang niet in de richting van dieren of omstanders.
- ◆ Berg de pomp buiten het bereik van kinderen op.
- ◆ De indicator van de drukmeter is uitsluitend bestemd als richtlijn. Controleer de bandendruk regelmatig bij een gecertificeerd apparaat voor het meten van de bandendruk.
- ◆ Controleer het netsnoer vóór gebruik op tekenen van beschadiging, veroudering en slijtage.
- ◆ Gebruik het apparaat niet als het netsnoer of de stekker defect of beschadigd is (indien van toepassing).



Verwijder altijd de stekker uit het stopcontact voordat u onderhouds- of reinigingswerkzaamheden aan het apparaat uitvoert.



Laat de pomp niet onbeheerd achter.

## Onderdelen

1. Klepje van de opbergruimte
2. Drukmeter
3. Luchtslang met universele ventieladapter
4. 12V-kabel en -adapter (gelijkstroom)
5. 230V-kabel en -stekker (wisselstroom)

## Gebruik

### Opbergruimte voor luchtslang en kabels

U kunt de luchtslang (3) en het netsnoer (wisselstroom) (5) opbergen in de opbergruimte (1) aan de bovenkant van de pomp (fig. A). De slang en kabels kunnen door de gaten in beide zijden van de klep (1) worden geleid, zodat de klep kan worden gesloten wanneer u de pomp gebruikt. U kunt het snoer (gelijkstroom) (4) opbergen in de opbergruimte (9) (fig. D) aan de achterkant van de pomp.

### Hulpstukken bevestigen (fig. B & E)

Bij de pomp worden standaard de taps toelopende spuitmonden en een naaldspuitmond (6) geleverd.

U vindt deze aan de onderkant van het apparaat (fig. E).

- ◆ Als u de universele ventieladapter wilt gebruiken, controleert u of de hendel omhoog staat.
- ◆ Plaats de ventieladapter op het beginstuk van de naaldspuitmond of van de taps toelopende spuitmond (fig. B).
- ◆ Druk de hendel op de ventieladapter naar beneden om deze vast te zetten.
- ◆ Steek de naaldspuitmond of de taps toelopende spuitmond in het item dat u wilt opblazen.

**Opmerking:** Zorg altijd dat de hendel omhoog staat als u het apparaat niet gebruikt.

Gebruik de pomp alleen met de universele ventieladapter of met de meegeleverde spuitmonden.

**Opmerking:** Zorg ervoor dat de universele ventieladapter stevig vastzit voordat u de pomp inschakelt.

Veel opblaasbare objecten hebben een interne klep waardoor er tijdens het opblazen geen lucht kan ontsnappen. Als deze klep niet opzij wordt gedrukt door de spuitmond, wordt het opblaasbare object niet opgeblazen. Druk de spuitmond stevig in het ventiel om ervoor te zorgen dat de klep opzij wordt gedrukt.

## Elektrische veiligheid



Dit gereedschap/apparaat is dubbel geïsoleerd; een aardaansluiting is daarom niet noodzakelijk. Controleer altijd of uw netspanning overeenkomt met de waarde op het typeplaatje.

Verhoog de elektrische veiligheid eventueel verder met behulp van een hooggevoelige (30 mA/30 mS) reststromschakelaar (RCD).

Als het netsnoer is beschadigd, moet dit worden vervangen door de fabrikant of een Black & Decker-servicecentrum om gevaren te voorkomen.

## Het gereedschap/apparaat is voorzien van de volgende waarschuwingssymbolen:



Lees de gebruikershandleiding voordat u de pomp gebruikt.



Houd het apparaat uit de buurt van regen en hoge luchtvochtigheid.

U kunt de naaldspuitmond opbergen door deze in een van de taps toelopen de spuitmondten te steken. Plaats de spuitmondten in de opbergsleuven aan de onderkant van de pomp (fig. E).

**Waarschuwing!** Bij een te grote luchtdruk bestaat het gevaar dat het object uit elkaar klappt of dat iemand gewond raakt. Let op de maximale druk voor opblaasbare objecten. Deze druk wordt aangegeven door de fabrikant.

**Opmerking:** Als de aangegeven druk voor het object dat wordt opgeblazen hoger is dan 100 psi, dient u er rekening mee te houden dat u de pomp maximaal 10 minuten mag gebruiken. Laat de pomp vervolgens 20 minuten rusten voordat u deze weer gebruikt.

### Drukmeter (fig. C)

De pomp is uitgerust met een ingebouwde drukmeter (2) die automatisch wordt afgesloten bij een vooraf ingestelde luchtdruk. De drukmeter bevindt zich op de bovenkant van de pomp en geeft de luchtdruk aan in psi, bar of kPa. Bij banden wordt het aanbevolen dat u een aparte drukmeter gebruikt om de luchtdruk te controleren.

### Het apparaat inschakelen (fig. C en D)

**Waarschuwing!** Gebruik nooit beide stroombronnen tegelijkertijd.

### 230V-modus (wisselstroom)

Zorg er voor dat de 230V-stroomkabel volledig is uitgerold voordat u de kabel gebruikt.

- ◆ Sluit de 230V-stroomkabel (5) aan op een geschikt stopcontact.

### 12V-modus (gelijkstroom)

**Waarschuwing!** Werk niet met de pomp terwijl de motor van de auto draait.

**Opmerking:** Zorg ervoor dat het 12V-aansluitpunt voor de sigarettenaansteker onder spanning staat. Voor sommige auto's is het nodig dat de sleutel in de accessoirestand wordt gezet voordat de stekkerbus onder spanning komt te staan.

- ◆ Zorg er voor dat de 12VDC-stroomkabel volledig is uitgerold voordat u de kabel gebruikt.
- ◆ Sluit het 12V-snoer aan op de aansluiting (8) in de opbergruimte en steek de 12V-adapter (4) in het 12V-aansluitpunt voor de sigarettenaansteker van uw voertuig.

### De gewenste druk instellen (fig. C)

**Waarschuwing!** Laat de pomp niet onbeheerd achter als deze aanstaat. In dat geval kunnen banden of andere objecten exploderen.

**Opmerking:** Het apparaat werkt alleen als u de automatische uitschakelfunctie hebt ingesteld.

Als u het apparaat aansluit op een wisselstroom- of gelijkstroombron, wordt de digitale display verlicht.

- ◆ Houd de knoppen - en + tegelijkertijd ingedrukt om de gewenste eenheid (psi, bar of kPa) te selecteren.

**Waarschuwing!** Bij een te grote luchtdruk bestaat het gevaar dat het object uit elkaar klappt of dat iemand gewond raakt. Let op de maximale druk voor opblaasbare objecten. Deze druk wordt aangegeven door de fabrikant.

- ◆ Druk op de knop - of + om de gewenste druk in te stellen.
- ◆ Als de druk is ingesteld, knippert de LCD gedurende 3 seconden, waarna nul wordt aangegeven op de digitale display.
- ◆ Sluit de universele ventieladapter en hulpstukken (indien nodig) aan op het object dat u wilt oppompen en controleer daarbij of de hendel van de ventieladapter omlaag staat zodat deze wordt vergrendeld.
- ◆ Schakel de pomp in door op de aan-uitschakelaar (7) op de digitale meter te drukken.

**Opmerking:** Als de stroombron wordt verwijderd, gaan alle instellingen verloren en moeten deze opnieuw worden ingevoerd volgens de instructies onder het kopje 'De gewenste druk instellen'.

- ◆ Als het op te blazen object de ingestelde waarde heeft bereikt, wordt het apparaat automatisch uitgeschakeld.

**Opmerking:** U kunt de pomp op elk moment uitschakelen door op de aan-uitschakelaar (7) op de digitale meter te drukken.

- ◆ Haal de ventieladapter of het hulpstuk uit het opgeblazen object en haal het apparaat uit de stroombron.

### De pomp als drukmeter gebruiken

- ◆ Controleer of het apparaat is ingeschakeld zoals is beschreven in de sectie "De pomp inschakelen".
- ◆ Sluit de universele ventieladapter en hulpstukken (indien nodig) aan op het object dat u wilt oppompen en controleer daarbij of de hendel van de ventieladapter omlaag staat zodat deze wordt vergrendeld.
- ◆ Op de display wordt nu de druk in het object weergegeven.



## Onderhoud

Uw Black & Decker-gereedschap is ontworpen om gedurende langere periode te functioneren met een minimum aan onderhoud. U kunt het gereedschap naar volle tevredenheid blijven gebruiken als u voor correct onderhoud zorgt en het gereedschap regelmatig schoonmaakt.

**Waarschuwing!** Verwijder altijd de stekker uit het stopcontact voordat u onderhouds- of reinigingswerkzaamheden aan het apparaat uitvoert.

- ◆ Neem het apparaat van tijd tot tijd af met een vochtige doek. Gebruik geen schuur- of oplosmiddel. Dompel het apparaat niet onder in water.

### Problemen oplossen

Probleem	Mogelijke oorzaak	Mogelijke oplossing
Apparaat start niet.	Het snoer is niet aangesloten.	Zorg ervoor dat de pomp is aangesloten op een stopcontact.
	Automatisch uitschakelventiel niet ingesteld.	Stel de automatische uitschakelfunctie in.
	De ingestelde waarde is lager dan de huidige druk.	Pas de waarde aan naar een hogere waarde.
	De zekering in de 12V-adapter is stuk.	Vervang de zekering door een zekering van hetzelfde formaat en type (8A/250V).
	De kabel of schakelaar is beschadigd.	Zorg ervoor dat de kabel of de schakelaar wordt vervangen bij een Black & Decker-servicecentrum of een geautoriseerd servicecentrum.

## Netstekker vervangen (alleen V.K. en Ierland)

Als er een nieuwe netstekker moet worden aangebracht:

- ◆ Gooi de oude stekker op verantwoorde wijze weg.
- ◆ Verbind de bruine draad met de spannings-/fasepool in de nieuwe stekker.
- ◆ Verbind de blauwe draad met de nul-/neutraalpool.

**Waarschuwing!** De aardepool hoeft niet te worden aangesloten. Volg de bevestigingsinstructies die met hoogwaardige stekkers wordt meegeleverd. Aanbevolen zekering: 3 A.

## Milieu



Aparte inzameling. Dit product mag niet met normaal huishoudelijk afval worden weggegooid.

Mocht u op een dag constateren dat het Black & Decker-product aan vervanging toe is of dat u het apparaat niet meer nodig hebt, gooi het product dan niet bij het restafval. Het product valt onder de categorie voor elektrische apparaten.



Gescheiden inzameling van gebruikte producten en verpakkingsmaterialen maakt het mogelijk materialen te recyclen en opnieuw te gebruiken. Hergebruik van gerecycleerde materialen zorgt voor minder milieuvervuiling en dringt de vraag naar grondstoffen terug.

Plaatselijke verordeningen kunnen voorzien in gescheiden inzameling van huishoudelijke elektrische producten via gemeentelijke stortplaatsen of via de leverancier bij wie u een nieuw product aanschaft.

Black & Decker biedt de mogelijkheid tot het recyclen van afgedankte Black & Decker-producten. Om gebruik te maken van deze service, dient u het product naar een van onze servicecentra te sturen, die de inzameling voor ons verzorgen.

U kunt het adres van het dichtstbijzijnde Black & Decker-servicecentrum opvragen via de adressen op de achterzijde van deze handleiding. U kunt ook een lijst van Black & Decker-servicecentra en meer informatie m.b.t. onze klantenservice vinden op het volgende internetadres:

**[www.2helpU.com](http://www.2helpU.com)**.

**Technische gegevens**

<b>ASI300</b>	
Ingangsspanning	Volt 230/12 (wisselstroom/ gelijkstroom)
Ingangsstroom	A 0,5/8
Geluidswaarde	db 84
Druk (max.)	kPa / psi / bar 1103 / 160 / 11,03
Gewicht	kg 1,93

**EG-conformiteitsverklaring**

ASI300 TYPE 2

Black & Decker verklaart dat deze producten in  
overeenstemming zijn met:  
Standaarden en wetgeving.  
EN60335, 2006/95/EU

Ondergetekende is verantwoordelijk voor de compilatie van  
het technische bestand en doet deze verklaring namens  
Black & Decker.



Kevin Hewitt  
Director of Consumer Engineering  
Spennymoor, County Durham DL16 6JG  
Verenigd Koninkrijk  
06-07-2009

**Garantie**

Black & Decker heeft vertrouwen in haar producten en biedt  
een uitstekende garantie. Deze garantiebepalingen vormen  
een aanvulling op uw wettelijke rechten en beperken deze  
niet. De garantie geldt in de lidstaten van de Europese Unie  
en de Europese Vrijhandelsassociatie.

Mocht uw Black & Decker product binnen 24 maanden na de  
datum van aankoop defect raken ten gevolge van materiaal-  
of constructiefouten, dan garandeert Black & Decker de  
kosteloze vervanging van defecte onderdelen, de reparatie  
van het product of de vervanging van het product, tenzij:

- ◆ Het product is gebruikt voor handelsdoeleinden,  
professionele toepassingen of verhuurdoeleinden;
- ◆ Het product onoordeelkundig is gebruikt;
- ◆ Het product is beschadigd door invloeden van buitenaf  
of door een ongeval;
- ◆ Reparaties zijn uitgevoerd door anderen dan onze  
servicecentra of Black & Decker-personeel.

Om een beroep te doen op de garantie, dient u een  
aankoopbewijs te overhandigen aan de verkoper of een van  
onze servicecentra. U kunt het adres van het dichtstbijzijnde  
servicecentrum opvragen via de adressen op de achterzijde  
van deze handleiding. U kunt ook een lijst van onze  
servicecentra en meer informatie m.b.t. onze klantenservice  
vinden op het volgende internetadres: [www.2helpU.com](http://www.2helpU.com).

Meld u aan op onze website [www.blackanddecker.nl](http://www.blackanddecker.nl)  
om te worden geïnformeerd over nieuwe Black & Decker-  
producten en speciale aanbiedingen. Verdere informatie  
over het merk Black & Decker en onze producten vindt  
u op [www.blackanddecker.nl](http://www.blackanddecker.nl).

## Uso previsto

El compresor de inflado de Black & Decker está diseñado para utilizarse tanto en interiores como en exteriores con el cable de 230 voltios o en la mayoría de vehículos con una toma de 12 voltios estándar mediante el adaptador de 12 voltios para inflar neumáticos de bicicletas y coches, balones, lanchas, flotadores, colchones inflables, etc. Este producto está pensado únicamente para uso doméstico.

## Instrucciones de seguridad

**¡Atención!** Si utiliza aparatos conectados a la red eléctrica, es necesario seguir las precauciones de seguridad básicas, incluidas las que se indican a continuación, para reducir el riesgo de incendios, descargas eléctricas, lesiones y daños materiales.

- ◆ Lea todo el manual detenidamente antes de utilizar el aparato.
- ◆ En este manual se describe el uso para el que se ha diseñado el aparato. La utilización de accesorios o la realización de operaciones distintas de las recomendadas en este manual de instrucciones pueden presentar un riesgo de lesiones.
- ◆ Conserve este manual para futuras consultas.

### Utilización del aparato

Tenga mucho cuidado al utilizar el aparato.

- ◆ Este aparato está pensado para utilizarse con la supervisión correspondiente en el caso de menores o personas que no cuentan con la fuerza necesaria.
- ◆ Este aparato no es un juguete.
- ◆ Evite que los niños y animales se acerquen a la zona de trabajo y toquen el aparato o el cable de alimentación.
- ◆ Procure tener cuidado si utiliza el aparato cerca de niños.
- ◆ Utilícelo únicamente en lugares secos. Tenga cuidado de no mojar el aparato.
- ◆ No sumerja el aparato en agua.
- ◆ No abra la carcasa. Las piezas del interior del aparato no las puede reparar el usuario.
- ◆ No utilice el aparato en entornos con peligro de explosión, como en los que se encuentren líquidos, gases o material en polvo inflamables.
- ◆ Para evitar dañar las clavijas y los cables, no tire del cable para extraer la clavija de la toma de corriente.

### La seguridad de terceros

- ◆ Ninguna persona (incluidos los niños) con capacidades físicas, sensoriales o mentales disminuidas, o que carezca de experiencia y conocimientos, debe utilizar este aparato, salvo que haya recibido supervisión o formación con respecto al uso de este por parte de una persona responsable de su seguridad.

- ◆ Los niños deben vigilarse en todo momento para garantizar que el aparato no se toma como elemento de juego.

### Después de la utilización

- ◆ Cuando el aparato no esté en uso, deberá guardarse en un lugar seco, bien ventilado y lejos del alcance de los niños.
- ◆ Los niños no deben tener acceso a los aparatos guardados.
- ◆ Cuando se guarde o transporte el aparato en un vehículo, deberá colocarse en el maletero o asegurarse para evitar movimientos producidos por cambios repentinos en la velocidad o la dirección.

### Inspecciones y reparaciones

- ◆ Antes de utilizarlo, compruebe que el aparato no tiene piezas dañadas o defectuosas. Compruebe que no hay piezas rotas, que los interruptores no están dañados y que no existen otros defectos que puedan afectar al funcionamiento del aparato.
- ◆ No utilice el aparato si presenta alguna pieza dañada o defectuosa.
- ◆ Solicite a un agente de servicio técnico autorizado la reparación o sustitución de las piezas dañadas o defectuosas.
- ◆ Nunca intente extraer ni sustituir piezas no especificadas en este manual.

### Instrucciones de seguridad adicionales para compresores de inflado

- ◆ Para uso doméstico y en el vehículo. Infle, tanto en interiores como en exteriores, los neumáticos de la bicicleta y el coche, balones, flotadores y muchos otros objetos.
- ◆ El aire comprimido del compresor de inflado no se debe respirar. Jamás inhale aire del compresor de inflado o de un dispositivo de inhalación conectado al compresor.
- ◆ Infle solamente artículos recomendados por el fabricante. Si se supera el nivel de presión indicado, se podría ocasionar una explosión que provocara lesiones personales.
- ◆ No deje el compresor de inflado en funcionamiento sin vigilancia. Los neumáticos u otros artículos podrían estallar.
- ◆ No utilice el compresor de inflado en estantes elevados o superficies similares, ya que la vibración que genera el aparato puede llegar a desplazarlo. Utilícelo únicamente en el suelo o encima de una mesa de trabajo.

- ◆ No modifique el aparato ni intente repararlo. No realice ninguna perforación, soldadura o modificación en el compresor de inflado o sus accesorios.
- ◆ No utilice el compresor de inflado cuando el motor del automóvil esté en funcionamiento.
- ◆ Utilícelo únicamente con los accesorios suministrados o con accesorios para 11,03 bares/160 psi de presión como mínimo. El uso de esta herramienta con cualquier accesorio no recomendado podría resultar peligroso.
- ◆ No juegue con la herramienta. El aire de alta presión es peligroso. No dirija el flujo de aire hacia sí o hacia otras personas.
- ◆ Es posible que, al utilizarlo, el compresor de inflado se caliente. Déjelo enfriar durante 30 minutos antes de guardarlo.
- ◆ No coja nunca el compresor de inflado por la manguera.
- ◆ No dirija la boquilla ni la manguera a ninguna persona o animal.
- ◆ Guarde el compresor de inflado fuera del alcance de los niños.
- ◆ El medidor suministra información orientativa. La presión de los neumáticos debe revisarse periódicamente con un medidor certificado.
- ◆ Antes de utilizar el cable de alimentación, compruebe que no está dañado, gastado o deteriorado.
- ◆ No utilice el aparato si el cable de alimentación o el enchufe está dañado o es defectuoso (en los casos en los que esta recomendación sea aplicable).

## Seguridad eléctrica



Esta herramienta/aparato lleva un doble aislamiento; por lo tanto no requiere una toma a tierra. Compruebe siempre que la tensión de la red corresponda con el valor indicado en la placa de datos de la herramienta.

Se puede incrementar la seguridad eléctrica mediante dispositivos detectores de corriente residual (RCD) de alta sensibilidad (30 mA / 30 mS).

Si se dañara el cable de alimentación, lo deberá sustituir el fabricante o un centro de asistencia técnica autorizado de Black & Decker para evitar cualquier situación de riesgo.

## El aparato cuenta con los siguientes símbolos de advertencia:



Lea el manual de instrucciones antes de utilizar el compresor de inflado.



No exponga el aparato a la lluvia ni a la humedad.



Antes de realizar el mantenimiento o limpieza del aparato, debe desconectar el cable de alimentación.



No deje el compresor de inflado sin vigilancia.

## Características

1. Tapa del compartimento de almacenamiento
2. Indicador de presión
3. Manguera de aire con adaptador de válvula universal
4. Cable y adaptador de 12 V de cc
5. Cable de 230 V de ca y enchufe

## Uso

### Almacenamiento de la manguera de aire y del cable

La manguera de aire (3) y el cable de ca (5) se guardan en el compartimento de almacenamiento (1) situado en la parte superior del compresor de inflado (fig. A). Los orificios situados en los laterales de la tapa (1) permiten la salida de la manguera y el cable del compartimento, de modo que la tapa se puede cerrar aunque esté utilizando el compresor de inflado. El cable de cc (4) se guarda en el compartimento de almacenamiento (9) (fig. D) en la parte posterior del compresor de inflado.

### Ajuste de los accesorios (figs. B y E)

El compresor de inflado se suministra con inyectoros cónicos estándar y con un inyector de compresor de inflado de aguja (6), que se encuentran en la base de la unidad (fig. E).

- ◆ Para utilizar el adaptador de válvula universal, compruebe que la palanca se encuentra levantada.
- ◆ Coloque el adaptador de válvula en el vástago de la aguja de inflado o del inyector cónico (fig. B).
- ◆ Baje la palanca del adaptador de válvula hasta que este encaje en su sitio.
- ◆ Coloque la aguja de inflado o el inyector cónico en el elemento que desee inflar.

**Nota:** Compruebe siempre que la palanca se encuentra levantada cuando no la esté utilizando.

Utilice el compresor de inflado solamente con el adaptador universal o las boquillas suministradas.

**Nota:** Asegúrese de que el adaptador de válvula universal encaja firmemente antes de encender el compresor.

Muchos artículos inflables tienen una solapa interna que evita que se pierda aire durante el inflado. A menos que el inyector desplace esta solapa, el artículo inflable no se inflará. Empuje firmemente el inyector en la válvula para asegurarse de que retira esta solapa.

Guarde la aguja de inflado dentro de uno de los inyectores cónicos y encaje los en las ranuras de almacenaje situadas en la parte inferior del compresor de inflado (fig. E).

**¡Atención!** Una presión de aire excesiva puede producir peligro de explosión o daños personales. Compruebe la indicación de presión máxima del fabricante de los artículos que se están inflando.

**Nota:** Si la presión máxima del artículo que se está inflando es superior a 100 psi, deberá inflar durante un máximo de 10 minutos, y dejarlo reposar 20 minutos antes de continuar inflando.

### Indicador de presión (fig. C)

El compresor de inflado dispone de un indicador de presión incorporado (2) que apaga automáticamente el aparato cuando se alcanza una determinada presión de aire.

El indicador, que se encuentra en la parte superior del compresor de inflado, expresa la presión en psi, bar o kPa. En el caso de los neumáticos de vehículos, se recomienda comprobar la presión con otro manómetro.

### Alimentación de la unidad (figs. C y D)

**¡Atención!** No utilice la unidad con ambas fuentes de alimentación conectadas simultáneamente.

#### Modo de 230 V de ca

Antes de utilizar el aparato, extienda completamente el cable de 230 V de ca.

- ◆ Conecte el cable de 230 V (5) a una fuente de suministro eléctrico adecuada.

#### Modo de 12 V de cc

**¡Atención!** No utilice el compresor de inflado cuando el motor del automóvil esté en funcionamiento.

**Nota:** Compruebe que la toma accesoria de 12 V esté activa. En algunos vehículos, es posible que la llave de contacto tenga que encontrarse en la posición de accesorios para que se active la toma de corriente.

- ◆ Antes de utilizar el aparato, extienda completamente el cable de 12 V de cc.

- ◆ Conecte el cable de 12 V a la toma (8) del compartimiento de almacenamiento y conecte el adaptador de 12 V (4) a la toma accesoria de 12 V de su vehículo.

### Ajuste de la presión necesaria (fig. C)

**¡Atención!** No deje el compresor de inflado en funcionamiento sin vigilancia. Los neumáticos u otros artículos podrían estallar.

**Nota:** Debe ajustar la función de apagado automático antes de que la unidad empiece a funcionar.

Cuando conecte una fuente de alimentación de ca o de cc, se encenderá la pantalla digital.

- ◆ Mantenga pulsados los botones - y + de forma simultánea para seleccionar las unidades deseadas: psi, bar o kPa.

**¡Atención!** Una presión de aire excesiva puede producir peligro de explosión o daños personales. Compruebe la indicación de presión máxima del fabricante de los artículos que se están inflando.

- ◆ Pulse los botones - o + para ajustar la presión necesaria.
- ◆ Una vez ajustada, la pantalla LCD parpadeará durante 3 segundos y la pantalla digital mostrará cero.
- ◆ Conecte el adaptador de válvula universal y los accesorios, si fuera necesario, al artículo que desea inflar, asegurándose de que la palanca del adaptador de válvula se encuentra hacia abajo y bloqueada.
- ◆ Para encender el compresor de inflado pulse el interruptor de encendido/apagado (7) situado en el indicador digital.

**Nota:** Si se desconecta la fuente de alimentación, se perderán todos los ajustes y deberán volverse a introducir siguiendo las instrucciones que se incluyen en el apartado titulado "Ajuste de la presión necesaria".

- ◆ Cuando el artículo que debía inflar haya alcanzado el valor preajustado, la unidad se apagará automáticamente.

**Nota:** Para apagar el compresor de inflado en cualquier momento, pulse el interruptor de encendido/apagado (7) situado en el indicador digital.

- ◆ Quite el adaptador de válvula o accesorio del artículo inflable y desconecte la unidad de la fuente de alimentación.

### Uso del compresor de inflado como indicador de presión

- ◆ Compruebe que la unidad recibe alimentación tal como se ha descrito en el apartado "Alimentación de la unidad".

- ◆ Conecte el adaptador de válvula universal y los accesorios, si fuera necesario, al artículo que desea inflar, asegurándose de que el adaptador de válvula se encuentra en posición hacia abajo y bloqueada.
- ◆ La pantalla mostrará el valor de presión real del artículo.

## Mantenimiento

La herramienta de Black & Decker se ha diseñado para que funcione durante un largo periodo de tiempo con un mantenimiento mínimo. El funcionamiento satisfactorio continuado depende de un cuidado apropiado y una limpieza periódica de la herramienta.

**¡Atención!** Para realizar el mantenimiento o limpieza del aparato, antes debe desenchufarlo.

- ◆ Limpie el aparato de vez en cuando con un paño húmedo. No utilice limpiadores de base abrasiva o disolventes. No introduzca el aparato en agua.

## Solución de problemas

Problema	Causa posible	Posible solución
El aparato no arranca.	El cable no está enchufado.	Enchufe la herramienta en una toma de corriente que funcione.
	El valor del apagado automático no está ajustado.	Ajuste la función de apagado automático.
	Es posible que el valor preajustado esté por debajo de la presión real.	Ajuste el valor preajustado a un valor superior.
	El fusible del adaptador de 12 voltios se ha fundido.	Sustituya el fusible por uno del mismo tipo y tamaño (8 A/250 V).
	El cable o el interruptor están dañados.	Póngase en contacto con un centro de asistencia técnica de Black & Decker o un centro de asistencia técnica autorizado para sustituir dicho cable o interruptor.

## Sustitución del enchufe de red eléctrica (solo para Reino Unido e Irlanda)

Si es necesario colocar un nuevo enchufe para la red eléctrica:

- ◆ Deseche el enchufe anterior según las normas de seguridad.

- ◆ Conecte el cable marrón al terminal conductor del nuevo enchufe.
- ◆ Conecte el cable azul al terminal neutro.

**¡Atención!** No se debe realizar ninguna conexión al terminal de conexión a tierra. Siga las instrucciones de montaje que se suministran con los enchufes de buena calidad. Fusible recomendado: 3 A.

## Protección del medio ambiente



Recogida selectiva. No se debe desechar este producto con el resto de residuos domésticos.

Si llegase el momento en que fuese necesario sustituir su producto Black & Decker o si este dejase de tener utilidad para usted, no lo deseche junto con los residuos domésticos. Sepárelo para su recogida selectiva.



La recogida selectiva de productos y embalajes usados permite el reciclaje de materiales y su reutilización. La reutilización de materiales reciclados contribuye a evitar la contaminación medioambiental y reduce la demanda de materias primas.

Las normativas municipales deben ofrecer la recogida selectiva de productos eléctricos del hogar, en puntos municipales previstos para tal fin o a través del distribuidor cuando adquiera un nuevo producto.

Black & Decker proporciona facilidades para la recogida y reciclado de los productos Black & Decker que han llegado al final de su vida útil. Para poder utilizar este servicio, le rogamos que entregue el producto a cualquier agente de servicio técnico autorizado para que se haga cargo de él en nuestro nombre.

Para consultar la dirección del agente de servicio técnico más cercano, póngase en contacto con la oficina local de Black & Decker en la dirección que se indica en este manual. Como alternativa, se puede consultar en Internet la lista de servicios técnicos autorizados e información completa de nuestros servicios de postventa y contactos en la dirección siguiente: [www.2helpU.com](http://www.2helpU.com).

## Características técnicas

ASI300	
Voltaje de entrada	V de ca/ V de cc 230/12
Corriente de entrada	A 0,5/8
Valor de ruido	db 84
Presión (máx.)	kPa / psi / bar 1103 / 160 / 11,03
Peso	kg 1,93

## Declaración de conformidad CE

ASI300 TIPO 2

Black & Decker declara que estos productos cumplen las normas siguientes:  
Normativas y legislación.  
EN60335, 2006/95/CE

La persona que firma a continuación es responsable de la recopilación del archivo técnico y realiza esta declaración en nombre de Black & Decker.



Kevin Hewitt  
Director de Ingeniería del Consumidor  
Spennymoor, County Durham, DL16 6JG  
Reino Unido  
06-07-2009

Para reclamar en garantía, será necesario que presente la prueba de compra al vendedor o al agente de servicio técnico autorizado. Puede consultar la dirección de su agente de servicio técnico más cercano si se pone en contacto con la oficina local de Black & Decker en la dirección que se indica en este manual. Como alternativa, se puede consultar en Internet la lista de servicios técnicos autorizados e información completa de nuestros servicios de postventa y contactos en la dirección siguiente: [www.2helpU.com](http://www.2helpU.com).

Visite el sitio web [www.blackanddecker.eu](http://www.blackanddecker.eu) para registrar su nuevo producto Black & Decker y estar al día sobre productos y ofertas especiales. Encontrará información adicional sobre la marca Black & Decker y nuestra gama de productos en [www.blackanddecker.eu](http://www.blackanddecker.eu).

## Garantía

Black & Decker confía plenamente en la calidad de sus productos y ofrece una garantía extraordinaria. Esta declaración de garantía es un añadido, y en ningún caso un perjuicio para sus derechos estatutarios. La garantía es válida dentro de los territorios de los Estados miembros de la Unión Europea y de los de la Zona Europea de Libre Comercio.

Si cualquier producto de Black & Decker resultara defectuoso debido a materiales o mano de obra defectuosos o a la falta de conformidad, Black & Decker garantiza, dentro de los 24 meses posteriores a la fecha de compra, la sustitución de las piezas defectuosas, la reparación de los productos sujetos a un desgaste y rotura razonables o la sustitución de tales productos para garantizar al cliente el mínimo de inconvenientes, a menos que:

- ◆ El producto se haya utilizado con propósitos comerciales, profesionales o de alquiler.
- ◆ El producto se haya sometido a un uso inadecuado o negligente.
- ◆ El producto haya sufrido daños causados por objetos, sustancias extrañas o accidentes.
- ◆ Se hayan realizado reparaciones por parte de personas que no sean agentes de servicio técnico autorizado o personal de servicios de Black & Decker.

## Utilização

O seu insuflador da Black & Decker destina-se ao uso doméstico privado, utilizando o seu cabo de 230 Volts ou o seu cabo CC de 12 Volts na maioria dos veículos, utilizando o respectivo transformador de 12 Volts para encher pneus de automóveis e bicicletas, bolas, etc. Este produto destina-se apenas a utilização doméstica.

## Instruções de segurança

**Advertência!** Ao utilizar aparelhos eléctricos, deve sempre cumprir medidas de segurança básicas, incluindo as que se seguem, de modo a reduzir os riscos de incêndio, choque eléctrico, ferimentos e danos materiais.

- ◆ Leia cuidadosamente o manual completo antes de utilizar este aparelho.
- ◆ A utilização prevista para este aparelho está descrita no manual. A utilização de qualquer acessório ou a realização de qualquer operação com este aparelho que não se inclua no presente manual de instruções poderá representar um risco de ferimentos pessoais.
- ◆ Conserve este manual para referência futura.

### Utilizar o seu aparelho

Tenha sempre cuidado ao utilizar este aparelho.

- ◆ Este aparelho não deve ser utilizado por jovens ou pessoas doentes sem supervisão.
- ◆ Este aparelho não deve ser utilizado como um brinquedo.
- ◆ Não deixe crianças ou animais aproximarem-se da área de trabalho ou tocarem no aparelho ou no cabo de alimentação.
- ◆ É necessária uma supervisão atenta quando o aparelho está a ser utilizado próximo de crianças.
- ◆ Utilize apenas num local seco. Não deixe que o aparelho fique molhado.
- ◆ Não mergulhe o aparelho em água.
- ◆ Não abra a estrutura do produto. Não existem peças para manipulação pelo utilizador no interior.
- ◆ Não utilize o equipamento em áreas com risco de explosão, nas quais se encontrem líquidos, gases ou poeiras inflamáveis.
- ◆ Para reduzir o risco de danos nas fichas e cabos, nunca puxe o cabo para remover a ficha de uma tomada.

### Segurança de terceiros

- ◆ Este aparelho não deve ser utilizado por pessoas (incluindo crianças) que apresentem capacidades físicas, sensoriais ou mentais reduzidas ou que não possuam os conhecimentos e a experiência necessários, excepto se forem vigiadas e instruídas acerca da utilização do aparelho por uma pessoa responsável pela sua segurança.
- ◆ As crianças deverão ser vigiadas para que não mexam no aparelho.

### Após a utilização

- ◆ Quando não for utilizado, o aparelho deve ser guardado num local seco e com boa ventilação, longe do alcance das crianças.
- ◆ As crianças não devem ter acesso aos aparelhos armazenados.
- ◆ Quando o aparelho for guardado ou transportado num veículo, deverá ser colocado na bagageira ou fixo de forma a evitar o movimento devido a alterações súbitas na velocidade ou direcção.

### Inspeção e reparações

- ◆ Antes da utilização, verifique o aparelho quanto a peças danificadas ou avariadas. Verifique se há peças partidas, danos nos interruptores ou outro tipo de condições que possam afectar o seu funcionamento.
- ◆ Não utilize este aparelho se alguma das suas peças estiver danificada ou com defeito.
- ◆ Mandar reparar ou substituir quaisquer peças danificadas ou avariadas por um agente de reparação autorizado.
- ◆ Nunca tente retirar ou substituir quaisquer peças que não as especificadas neste manual.

### Instruções de segurança adicionais para insufladores

- ◆ Apenas para utilização doméstica e em veículos. Encha pneus de automóveis e bicicletas, bolas, bóias, etc.
- ◆ O ar comprimido do seu insuflador não é seguro para ser respirado. Nunca inale o ar do seu insuflador ou de um dispositivo de respiração ligado ao insuflador.
- ◆ Encha apenas os itens de acordo com as recomendações do respectivo fabricante. Se exceder a pressão, poderá provocar uma explosão e originar ferimentos.
- ◆ Não deixe o insuflador em funcionamento sem vigilância. Poderá rebentar pneus ou outros itens.
- ◆ Dado que as vibrações produzidas pelo insuflador poderão fazer com que o artigo se mova, não o coloque em funcionamento numa prateleira elevada ou outra superfície. Coloque-o em funcionamento apenas ao nível do solo ou de um banco.
- ◆ Não modifique nem tente repará-lo. Nunca perfure, solde ou faça modificações no insuflador ou nos respectivos acessórios.
- ◆ Não coloque o insuflador em funcionamento quando o motor estiver ligado.
- ◆ Trabalhe apenas com os acessórios fornecidos ou classificados para uma pressão de 11,03 bar/160 psi ou superior. A utilização de qualquer acessório não recomendado para a utilização com esta ferramenta poderá ser perigosa.
- ◆ Não brinque com a ferramenta. O ar comprimido é perigoso. Não direcione o fluxo do ar para si ou para terceiros.



- ◆ O insuflador pode ficar quente durante a utilização. Deixe o insuflador arrefecer durante 30 minutos antes de o guardar.
- ◆ Nunca transporte o insuflador pelo tubo.
- ◆ Não aponte o bocal ou o tubo em direcção a animais ou pessoas.
- ◆ Guarde o insuflador fora do alcance das crianças.
- ◆ O manómetro serve apenas para fins indicativos. As pressões dos pneus devem ser verificadas regularmente com um manómetro certificado.
- ◆ Antes de utilizar, verifique se o cabo de alimentação apresenta sinais de corrosão, danos ou desgaste.
- ◆ Não utilize o aparelho se o cabo de alimentação ou a ficha de alimentação se encontrarem danificados ou avariados (se aplicável).

### Segurança eléctrica



Este aparelho/ferramenta tem um isolamento duplo e, por isso, não é necessário um fio de terra. Verifique sempre se a fonte de alimentação corresponde à tensão indicada na placa de especificações.

A segurança eléctrica pode ser melhorada mediante a utilização de um Dispositivo de Corrente Residual (30 mA/30 mS) de alta sensibilidade (RCD).

Se o cabo de alimentação estiver danificado, terá de ser substituído pelo fabricante ou por um centro de assistência autorizado Black & Decker para evitar acidentes.

### Os seguintes símbolos de aviso encontram-se na ferramenta/aparelho:



Leia o manual de instruções antes de utilizar o insuflador.



Não exponha o aparelho à chuva ou humidade elevada.



Antes de executar qualquer manutenção ou limpeza no aparelho, desligue o cabo de alimentação.



Não deixe o insuflador sem vigilância.

## Funções

1. Tampa do compartimento de recolha
2. Manómetro de pressão
3. Tubo de ar com adaptador de válvula universal
4. Cabo de 12 Volts CC e adaptador
5. Cabo de 230 Volts CA e ficha

## Utilização

### Armazenamento do tubo de ar e do cabo

O tubo de ar (3) e o cabo CA (5) são guardados no compartimento de armazenamento (1) na parte superior do Insuflador (fig. A). Os orifícios em ambos os lados da tampa (1) permitem que o tubo e o cabo saiam do compartimento, de modo a que a tampa deste possa estar fechada enquanto o insuflador é utilizado. O cabo CC (4) está guardado no compartimento de armazenamento (9) (fig. D) na parte traseira do insuflador.

### Fixar os acessórios (fig. B e E)

O seu insuflador é fornecido com os bocais cónicos padrão e com o bocal do insuflador de agulha (6); estes componentes estão localizados na base da unidade (fig. E).

- ◆ Para utilizar o adaptador de válvula universal, certifique-se de que a alavanca se encontra para cima.
- ◆ Coloque o adaptador de válvula sobre a ponta da agulha ou do bocal cónico do insuflador (fig. B).
- ◆ Pressione a alavanca no adaptador de válvula para baixo para bloqueá-la.
- ◆ Coloque a agulha ou o bocal cónico do insuflador no equipamento a encher.

**Nota:** Certifique-se sempre de que a alavanca está para cima quando não está a ser utilizada.

O Insuflador apenas deverá ser posto em funcionamento com o adaptador de válvula universal ou com os bocais fornecidos.

**Nota:** Certifique-se de que o adaptador de válvula universal está fixo antes de ligar o Insuflador.

Muitos insufláveis possuem uma patilha interna que evita a fuga de ar durante o enchimento. Se essa patilha não for deslocada pelo bocal, o insuflável de ar não será enchido. Introduza o bocal com firmeza na válvula para garantir que essa patilha é afastada.

Guarde a agulha do insuflador dentro de um dos bocais cónicos e encaixe estes últimos nas ranhuras de armazenamento situadas na parte inferior do Insuflador (fig. E).

**Advertência!** A pressão de ar excessiva pode originar um risco de rebentamento ou ferimentos. Verifique o nível de pressão máxima indicado pelo fabricante para os itens a encher.

**Nota:** Se o nível de pressão do item a encher for superior a 100 psi, tenha em atenção que o período máximo de funcionamento é de 10 minutos; deixe o aparelho em repouso durante 20 minutos antes de o utilizar novamente.

### Manómetro de pressão (fig. C)

O seu Insuflador está equipado com um manómetro de pressão integrado (2) que se irá desligar automaticamente quando é atingida uma pressão do ar predefinida.

O manómetro, situado na parte superior do insuflador, indicará uma leitura de pressão em psi, bar ou kPa. No caso de pneus de veículos, recomenda-se que a leitura da pressão seja verificada através de um indicador de pneus em separado.

### Ligar a unidade (fig. C e D)

**Advertência!** Não coloque a unidade em funcionamento a partir de ambas as fontes de alimentação ao mesmo tempo.

### Modo 230 V CA

Estenda sempre totalmente o cabo 230 V CA antes de cada utilização.

- ◆ Ligue o cabo de 230 Volts (5) a uma fonte de alimentação adequada.

### Modo 12 V CC

**Advertência!** Não coloque o insuflador em funcionamento quando o motor do veículo estiver ligado.

**Nota:** Certifique-se de que a ficha de acessórios de 12 Volts está activa. Em alguns veículos, a ficha de acessórios pode apenas ficar activa quando a chave de ignição estiver na posição de acessórios.

- ◆ Estenda sempre totalmente o cabo 12 V CC antes de cada utilização.
- ◆ Ligue o cabo de 12 Volts à ficha (8) no compartimento de armazenamento e ligue o transformador de 12 Volts (4) à ficha de acessórios de 12 Volts do veículo.

### Definir a pressão pretendida (fig. D)

**Advertência!** Não deixe o insuflador em funcionamento sem vigilância. Poderá rebentar pneus ou outros itens.

**Nota:** É necessário definir a função de desactivação automática antes de colocar a unidade em funcionamento.

Quando ligar a uma fonte de alimentação CA ou CC, o visor digital acender-se-á.

- ◆ Mantenha premidos os botões - e + ao mesmo para seleccionar as unidades pretendidas: psi, bar ou kPa.

**Advertência!** A pressão de ar excessiva pode originar um risco de rebentamento ou ferimentos. Verifique o nível de pressão máxima do fabricante para itens a insuflar.

- ◆ Prima o botão - ou + para definir a pressão pretendida.
- ◆ Quando a pressão pretendida for definida, o LCD piscará durante 3 segundos e o visor digital apresentará o valor zero.
- ◆ Ligue o adaptador de válvula universal e os acessórios, se necessários, ao item a encher, certificando-se de que a alavanca do adaptador de válvula se encontra para baixo de modo a bloqueá-la.
- ◆ Para ligar o insuflador, prima o interruptor de ligar/desligar (7) situado no manómetro digital.

**Nota:** Se a fonte de alimentação for removida, todas as definições se perderão e será necessário introduzi-las seguindo as instruções sob o título "Definir a pressão pretendida".

- ◆ Quando o item a encher atingir o valor predefinido, a unidade desligar-se-á automaticamente.

**Nota:** Para desligar o insuflador em qualquer altura, prima o interruptor de ligar/desligar (7) situado no manómetro digital.

- ◆ Retire o adaptador de válvula ou o acessório do item enchido e desligue a unidade da fonte de alimentação.

### Utilizar o insuflador como manómetro de pressão

- ◆ Certifique-se de que a unidade é ligada conforme descrito na secção "Ligar a unidade".
- ◆ Ligue o adaptador de válvula universal e os acessórios, se necessários, ao item a encher, certificando-se de que a alavanca do adaptador de válvula se encontra para baixo de modo a bloqueá-la.
- ◆ O visor apresentará agora o valor de pressão actual do item.

### Manutenção

A sua ferramenta Black & Decker foi concebida para funcionar por um longo período de tempo com uma manutenção mínima. Um funcionamento contínuo e satisfatório depende de uma manutenção adequada e da limpeza regular da ferramenta.

**Advertência!** Antes de executar qualquer manutenção ou limpeza no aparelho, desligue-o.

- ◆ De vez em quando, limpe o aparelho com um pano húmido. Não utilize nenhum produto de limpeza abrasivo ou à base de solvente. Não mergulhe o aparelho em água.

## Resolução de problemas

Problema	Possível causa	Possível solução
O aparelho não arranca.	O cabo não está ligado.	Ligue a ferramenta a uma tomada.
	Valor de desactivação automática não definido.	Defina a função de desactivação automática.
	O valor predefinido pode ser inferior à pressão real.	Ajuste o valor predefinido para um valor mais elevado.
	O fusível no transformador de 12 Volts está fundido.	Substitua o fusível por um do mesmo tamanho e tipo (8 A/250 V).
	O cabo ou o interruptor está danificado.	Substitua o cabo ou o interruptor num Centro de Assistência Autorizado Black & Decker.

## Substituição da ficha de alimentação (apenas Reino Unido e Irlanda)

Se for necessário encaixar uma nova ficha de alimentação:

- ◆ Elimine com segurança a ficha antiga.
- ◆ Ligue o cabo castanho ao terminal activo na nova ficha.
- ◆ Ligue o cabo azul ao terminal neutro.

**Advertência!** Não é necessário efectuar qualquer ligação ao terminal de terra. Siga as instruções de montagem fornecidas com as fichas de excelente qualidade. Fusível recomendado: 3 A.

## Protecção do ambiente



Recolha separada. Este produto não pode ser eliminado juntamente com os resíduos domésticos normais.

Se, em algum momento, for necessário substituir o aparelho ou se este deixar de ter utilidade, não elimine o produto num caixote do lixo. Este produto pode ser separado para reciclagem.



A recolha separada de produtos e embalagens usados permite que os materiais sejam reciclados e reutilizados. A reutilização de materiais reciclados ajuda a evitar a poluição ambiental e reduz a procura de matérias-primas.

A legislação local poderá prever a recolha separada de produtos domésticos eléctricos, seja em lixeiras municipais ou através do revendedor quando adquire um produto novo.

A Black & Decker dispõe de instalações para recolha e reciclagem de produtos Black & Decker quando estes atingem o fim da sua vida útil. Para usufruir deste serviço, devolva o produto em qualquer agente de reparação autorizado, que os recolherá em seu nome.

Pode verificar a localização do agente de reparação autorizado mais perto de si, contactando os escritórios locais da Black & Decker através do endereço indicado neste manual. Se preferir, pode encontrar na Internet uma lista de agentes de reparação autorizados Black & Decker, detalhes completos e contactos do serviço pós-venda, no endereço: [www.2helpU.com](http://www.2helpU.com).

## Dados técnicos

ASI300	
Tensão de entrada	V CAV CC 230/12
Corrente de entrada	A 0,5/8
Valor de ruído	db 84
Pressão (máx.)	kPa / psi / bar 1103 / 160 / 11,03
Peso	kg 1,93

## Declaração de conformidade CE

ASI300 TIPO 2

A Black & Decker declara que estes produtos estão em conformidade com:

Normas e legislação.  
EN60335, 2006/95/CE

O signatário é responsável pela compilação do ficheiro técnico e efectua esta declaração em nome da  
Black & Decker

Kevin Hewitt  
Director de Engenharia de Consumo  
Spennymoor, County Durham, DL16 6JG  
Reino Unido  
06-07-2009

## Garantia

A Black & Decker confia na qualidade dos seus produtos e oferece uma garantia excelente. Esta declaração de garantia é um complemento dos seus direitos estabelecidos por lei, não os prejudicando de forma alguma. A garantia é válida nos territórios dos Estados-Membros da União Europeia e da Associação Europeia de Comércio Livre.

Se um produto Black & Decker se avariar devido a defeitos de material, fabrico ou não conformidade, num período de 24 meses após a data da compra, a Black & Decker garante a substituição de peças defeituosas, a reparação de produtos sujeitos a um desgaste aceitável ou a substituição dos mesmos para garantir o mínimo de inconveniente ao cliente, excepto se:

- ◆ O produto tiver sido utilizado para fins comerciais, profissionais ou de aluguer.
- ◆ O produto tiver sido submetido a utilização indevida ou descuido.
- ◆ O produto tiver sido danificado por objectos estranhos, substâncias ou acidentes.
- ◆ Tiverem sido tentadas reparações por pessoas que não agentes de reparação autorizados ou técnicos de manutenção da Black & Decker.

Para accionar a garantia, terá de apresentar comprovativo de compra ao vendedor ou a um agente de reparação autorizado. Pode verificar a localização do agente de reparação autorizado mais perto de si, contactando os escritórios locais da Black & Decker através do endereço indicado neste manual. Se preferir, pode encontrar na Internet uma lista de agentes de reparação autorizados Black & Decker, detalhes completos e contactos do serviço pós-venda, no endereço: **[www.2helpU.com](http://www.2helpU.com)**.

Visite o nosso website **[www.blackanddecker.eu](http://www.blackanddecker.eu)** para registar o novo produto Black & Decker e manter-se actualizado relativamente a novos produtos e ofertas especiais. Pode encontrar mais informações sobre a marca Black & Decker e nossa gama de produtos em **[www.blackanddecker.eu](http://www.blackanddecker.eu)**.

## Användningsområde

Denna luftpump från Black & Decker är avsedd att användas i och i närheten av hemmet med den medföljande nätsladden för 230 V eller den egna 12 V-sladden då 12 V-adaptren används för att fylla på luft i bil- och cykeldäck, bollar, osv. Produkten är endast avsedd för konsumentbruk.

## Säkerhetsinstruktioner

**Varning!** Vid användning av nätdrivna redskap ska grundläggande säkerhetsföreskrifter, inklusive följande föreskrifter, alltid följas. Detta för att förhindra brand, stötar, personskador och materialskador.

- ◆ Läs hela den här bruksanvisningen noggrant innan du använder redskapet.
- ◆ Användningsområdet beskrivs i den här bruksanvisningen. Användning av andra tillbehör eller tillsatser eller andra åtgärder som utförs med redskapet än de som rekommenderas i den här bruksanvisningen kan leda till personskador.
- ◆ Spara den här bruksanvisningen för framtida referens.

## Använda redskapet

Var alltid försiktig när du använder redskapet.

- ◆ Redskapet är inte avsett att användas av unga eller oerfarna personer utan övervakning.
- ◆ Redskapet ska inte användas som leksak.
- ◆ Låt inte barn eller djur komma i närheten av arbetsområdet. Låt dem inte heller röra vid redskapet eller nätsladden.
- ◆ Om det finns barn i närheten när du använder redskapet ska du övervaka dem noga.
- ◆ Använd endast produkten på torra platser. Skydda redskapet från väta.
- ◆ Doppa aldrig redskapet i vatten.
- ◆ Öppna inte höljet. Det finns inga delar inuti som kan repareras.
- ◆ För att undvika explosionsrisk bör du inte använda redskapet i närheten av brandfarliga vätskor, gaser eller damm.
- ◆ Dra aldrig i sladden när du vill ta ut kontakten ur uttaget. Detta för att minska risken för skador på kontakter och sladdar.

## Säkerhet för andra

- ◆ Redskapet ska inte användas av personer (inklusive barn) med nedsatt fysisk eller psykisk förmåga eller bristande erfarenhet och kunskap, om de inte får vägledning och övervakas av en person som ansvarar för deras säkerhet.
- ◆ Barn ska hållas under uppsikt så att de inte leker med redskapet.

## Efter användning

- ◆ När det inte används bör redskapet förvaras utom räckhåll för barn på en torr plats med god ventilation.
- ◆ Placera redskapet på ett ställe där barn inte kan komma åt det.
- ◆ När redskapet förvaras eller transporteras i en bil ska det placeras i bagageutrymmet eller spännas fast så att det inte rör sig vid plötsliga ändringar av hastighet eller riktning.

## Kontroll och reparationer

- ◆ Kontrollera att redskapet är helt och att inga delar är skadade innan du använder det. Kontrollera att inga delar är trasiga, att strömbrytaren fungerar och att inget annat föreligger som kan påverka redskapets funktion.
- ◆ Använd inte redskapet om någon del har skadats eller gått sönder.
- ◆ Låt en auktoriserad verkstad reparera eller byta ut skadade eller trasiga delar.
- ◆ Försök aldrig ta bort eller byta ut andra delar än de som anges i den här bruksanvisningen.

## Extra säkerhetsinstruktioner för luftpumpar

- ◆ Redskapet är endast avsett för att pumpa bil- och cykeldäck, bollar, badleksaker med mera i och i anslutning till hemmet.
- ◆ Tryckluften från luftpumpen kan vara farlig att andas. Andas aldrig in luft från luftpumpen eller från en andningsanordning som är ansluten till luftpumpen.
- ◆ Följ alltid tillverkarens rekommendationer när du pumpar ett föremål. Om det angivna maxtrycket överskrids kan de explodera och orsaka personskador.
- ◆ Lämna aldrig luftpumpen påslagen oövervakad. Den kan få däck och andra föremål att brista.
- ◆ Vibrationerna som uppstår när luftpumpen är påslagen kan få luftpumpen att flytta på sig. Lämna den aldrig påslagen på höga hyllor eller andra högt belägna ytor. Använd den endast på marken/golvet eller i knähöjd.
- ◆ Gör inga förändringar på pumpen och försök inte reparera den. Borra eller svetsa inte på pumpen eller dess tillbehör och gör inga förändringar av pumpen eller tillbehör.
- ◆ Använd inte luftpumpen medan bilens motor är i gång.
- ◆ Använd endast pumpen med de tillbehör som följer med eller med tillbehör som är godkända för 11,03 bar/ 160 psi eller högre. Det kan vara farligt att använda tillbehör som inte är rekommenderade för användning med denna pump.
- ◆ Lek inte med redskapet. Tryckluft är farlig. Rikta inte luftstrålen mot dig själv eller någon annan.
- ◆ Luftpumpen kan bli varm under användning. Låt den svalna under 30 minuter innan du ställer undan den.

- ◆ Bär aldrig pumpen genom att lyfta i slangen.
- ◆ Rikta inte munstycket eller slangen mot djur eller människor.
- ◆ Förvara luftpumpen utom räckhåll för barn när den inte används.
- ◆ Mätarens värden ska endast användas som en vägledning. Däcktrycket ska kontrolleras regelbundet med en godkänd mätare.
- ◆ Före användning kontrollerar du om nätsladden visar tecken på skador, åldrande eller slitage.
- ◆ Använd inte redskapet om nätsladden eller nätkontakten är skadad eller defekt.

## Elsäkerhet



Eftersom verktyget/redskapet är dubbelisolerat behövs ingen jordledare. Kontrollera alltid att nätspänningen överensstämmer med värdet på typskylten.

Elsäkerheten kan förbättras ytterligare om en jordfelsbrytare med hög känslighet (30mA/30mS) används.

Om nätsladden är skadad måste den bytas ut av tillverkaren eller en auktoriserad Black & Decker-verkstad för att undvika farliga situationer.

## Följande varningssymboler finns på verktyget/redskapet:



Läs bruksanvisningen innan du använder luftpumpen.



Låt inte redskapet komma i kontakt med regn och väta.



Dra ut elsladden ur eluttaget innan du rengör eller utför underhåll på redskapet.



Lämna aldrig luftpumpen oövervakad.

## Funktioner

1. Lucka till förvaringsfack
2. Tryckmätare
3. Luftslang med universalventiladapter
4. 12 V-sladd och adapter
5. 230 V-sladd och stickkontakt

## Användning

### Förvaring av luftslangen och sladden

Luftslangen (3) och nätsladden (5) förvaras i förvaringsfacket (1) på pumpens ovasida (fig. A). Hålen på lockets (1) båda sidor gör att slangen och sladden kan matas ut från facket, så att locket kan vara stängt medan pumpen används. 12 V-sladden (4) förvaras i förvaringsfacket (9) (fig. D) på pumpens baksida.

### Montera tillbehör (fig. B & E)

Din luftpump är utrustad med de vanliga konformade pumpmunstyckena och ett nålformat pumpmunstycke (6) som alla sitter på basenheten (fig. E).

- ◆ Se till att spaken är i uppåtläge när du använder universalventiladaptern.
- ◆ Placera ventiladaptern över skafvet på det nålformade pumpmunstycket eller det konformade munstycket (fig. B).
- ◆ Tryck ner spaken på ventiladaptern för att låsa fast den.
- ◆ För in det nålformade pumpmunstycket eller det konformade munstycket i det föremål som ska pumpas upp.

**Obs!** Se till att spaken är i uppåtläge när den inte används.

Använd endast luftpumpen med universalventiladaptern eller de medföljande munstyckena.

**Obs!** Se till att universalventiladaptern sitter ordentligt fast innan du sätter på pumpen.

Många uppblåsbara föremål har en inre spärr som hindrar att luft tränger ut under uppumpning. Munstycket måste trycka undan denna spärr för att det ska gå att pumpa det uppblåsbara föremålet. Tryck in munstycket ordentligt i ventilen, så att denna spärr trycks undan.

Förvara det nålformade pumpmunstycket inuti ett av de konformade munstyckena och snäpp fast de konformade munstyckena i förvaringsfördjupningarna på pumpens undersida (fig. E).

**Varning!** Ett för högt luftryck kan medföra fara.

Det pumpade föremålet kan explodera eller orsaka personskador. Ta reda på det av tillverkaren rekommenderade maxtrycket för de föremål du ska pumpa. **Obs!** Observera att maximal drifttid är 10 minuter om trycket för det föremål som ska pumpas upp är högre än 100 psi. Låt sedan luftpumpen vila i 20 minuter innan den används igen.

### Tryckmätare (fig. C)

Din luftpump är utrustad med en inbyggd tryckmätare (2) som automatiskt stänger av pumpen när ett förinställt lufttryck uppnås. Tryckmätaren, som sitter på pumpens ovansida, visar trycket i psi, bar eller kPa. För däck på fordon rekommenderas att trycket kontrolleras med en särskild tryckmätare för däck.

### Ansluta enheten (fig. C and D)

**Varning!** Anslut inte redskapet till båda strömkällorna samtidigt.

### Användning med 230 V växelström

Dra alltid ut hela 230 V-sladden före varje användningstillfälle.

- ◆ Anslut 230 V-sladden (5) till ett lämpligt nätuttag.

### Användning med 12 V likström

**Varning!** Använd inte luftpumpen medan bilens motor är i gång.

**Obs!** Se till att 12 V-tillbehörsuttaget fungerar. På en del bilar måste nyckeln befinna sig i tillbehörslåget (ACC) för att uttaget ska fungera.

- ◆ Dra alltid ut hela 12 V-sladden före varje användningstillfälle.
- ◆ Anslut 12 V-sladden till uttaget (8) i förvaringsutrymmet och anslut 12 V-adaptorn (4) i fordonets 12 V-tillbehörsuttag.

### Ställa in önskat tryck (fig. C)

**Varning!** Lämna aldrig luftpumpen påslagen oövervakad.

Den kan få däck och andra föremål att brista.

**Obs!** Du måste ställa in den automatiska avstängningsfunktionen för att enheten ska fungera.

Den digitala displayen kommer att lysa när du ansluter till antingen en växelströms- eller likströmskälla.

- ◆ Tryck och håll ner plus- och minusknappen samtidigt när du ska välja enhet (psi, bar eller kPa).

**Varning!** Ett för högt lufttryck kan medföra fara.

Det pumpade föremålet kan explodera eller orsaka personsador. Ta reda på det av tillverkaren rekommenderade maxtrycket för det föremål du ska pumpa.

- ◆ Tryck ner plus- eller minusknappen när du ska ställa in önskat tryck.
- ◆ LCD-skärmen blinkar i 3 sekunder och den digitala displayen visar noll när trycket är inställt.
- ◆ Koppla universalventiladaptorn och nödvändiga tillbehör till föremålet som ska pumpas upp. Se till att spaken på ventiladaptorn är i nedåtläge för att låsa fast den.
- ◆ Slå på luftpumpen genom att trycka på strömbrytaren (7) som sitter på den digitala mätaren.

**Obs!** Om strömkällan tas bort förloras alla inställningar och måste anges igen enligt instruktionerna under rubriken Ställa in önskat tryck.

- ◆ När föremålet som ska pumpas uppnår det förinställda värdet stängs enheten av automatiskt.

**Obs!** Stäng alltid av luftpumpen genom att trycka på strömbrytaren (7) som sitter på den digitala mätaren.

- ◆ Ta ut ventiladaptorn eller tillbehöret från det föremål som har pumpats upp och koppla bort enheten från strömkällan.

### Använda luftpumpen som tryckmätare

- ◆ Se till att enheten är i gång enligt beskrivningen i avsnittet Använda enheten.
- ◆ Koppla universalventiladaptorn och nödvändiga tillbehör till föremålet som ska pumpas upp. Se till att spaken på ventiladaptorn är i nedåtläge för att låsa fast den.
- ◆ Displayen visar nu föremålets faktiska tryckvärde.

## Underhåll

Detta Black & Decker-verktyg har tillverkats för att fungera under lång tid med ett minimum av underhåll. Med rätt underhåll och regelbunden rengöring behåller verktyget sin prestanda.

**Varning!** Dra ut elsladden innan du utför underhåll på eller rengör redskapet.

- ◆ Torka av redskapet med en fuktig trasa ibland. Använd aldrig rengöringsmedel med lösnings- eller slipmedel. Doppa aldrig redskapet i vatten.

## Felsökning

Problem	Möjlig orsak	Möjlig lösning
Redskapet startar inte.	Pumpen är inte ansluten till elnätet.	Anslut apparaten till ett fungerande eluttag.
	Det automatiska avstängningsvärdet har inte angivits.	Ställ in den automatiska avstängningsfunktionen.
	Förinställt värde kan vara lägre än det verkliga trycket.	Justera förinställt värde till ett högre värde.
	Säkring i 12 V-adaptorn har gått.	Ersätt säkringen med en säkring av samma storlek och typ (8A/250 V).
	Sladden eller strömbrytaren är skadad.	Låt ett Black & Decker-servicecenter eller ett auktoriserat servicecenter byta ut sladden eller strömbrytaren.

## Reservkontakt (endast Storbritannien och Irland)

Byt ut kontakten enligt följande:

- ◆ Gör dig av med den gamla kontakten på lämpligt sätt.
- ◆ Anslut den bruna ledningen till den strömförande anslutningen i den nya kontakten.
- ◆ Anslut den blå ledningen till den icke strömförande anslutningen.

**Varning!** Anslut inte till jordningsanslutningen.

Följ monteringsanvisningarna som medföljer kontakter av god kvalitet. Rekommenderad säkring: 3 A.

## Miljö



Separat insamling. Produkten får inte kastas i hushållssoporna.

Tänk på miljön när du slänger denna Black & Decker-produkt. Släng den inte tillsammans med hushållsavfallet. Lämnna produkten för separat insamling.



Insamling av uttjänta produkter och förpackningsmaterial gör att material kan återanvändas. Användning av återvunnet material minskar föroreningar av miljön och behovet av råmaterial.

Lokala föreskrifter kan kräva separat insamling av elprodukter från hushållen, vid kommunala insamlingsplatser eller hos återförsäljaren när du köper en ny produkt.

Black & Decker samlar in och återvinner uttjänta Black & Decker-produkter. Om du vill utnyttja denna tjänst återlämnar du produkten till en auktoriserad verkstad, som samlar in den för vår räkning.

För information om närmaste auktoriserad verkstad, kontakta det lokala Black & Decker-kontoret på den adress som är angiven i bruksanvisningen. En lista över alla auktoriserade verkstäder samt servicevillkor finns på Internet: [www.2helpU.com](http://www.2helpU.com).

## Tekniska data

	ASI300
Inspänning	Vac/Vdc 230/12
Inström	A 0,5/8
Bullervärde	db 84
Tryck (max)	kPa/psi/bar 1103 / 160 / 11,03
Vikt	kg 1,93

## EC-deklaration om överensstämmelse

ASI300 TYP 2

Black & Decker försäkrar att dessa produkter överensstämmer med:  
Normer och lagstiftning.  
EN60335, 2006/95/EC

Undertecknad är ansvarig för sammanställningen av tekniska data och gör denna försäkran för Black & Deckers räkning.

Kevin Hewitt  
Director of Consumer Engineering  
Spennymoor, County Durham, DL16 6JG  
Storbritannien  
06-07-2009



## Garanti

Black & Decker garanterar att produkten är fri från material- och/eller fabrikationsfel vid leverans till kund. Garantin gäller utöver konsumentens rättigheter enligt lag och påverkar inte dessa. Garantin gäller inom medlemsstaterna i Europeiska Unionen och i det Europeiska Frihandelsområdet.

Om en Black & Decker-produkt går sönder på grund av material- och/eller fabrikationsfel eller brister i överensstämmelse med specifikationen, inom 24 månader från köpet, åtar sig Black & Decker att reparera eller byta ut produkten med minsta besvär för kunden, förutom om:

- ◆ Produkten har använts kommersiellt, yrkesmässigt eller för uthyrning.
- ◆ Produkten har utsatts för felaktig användning eller skötsel.
- ◆ Produkten har skadats av främmande föremål, ämne eller genom olycka.
- ◆ Reparation har utförts av någon annan än en auktoriserad Black & Decker-verkstad.

Vid garantianspråk ska produkten och inköpskvittot lämnas till återförsäljaren eller till en auktoriserad verkstad.

För information om närmaste auktoriserad verkstad, kontakta det lokala Black & Decker-kontoret på den adress som är angiven i bruksanvisningen. En lista över alla auktoriserade verkstäder samt servicevillkor finns på Internet: [www.2helpU.com](http://www.2helpU.com).

Besök vår webbplats [www.blackanddecker.se](http://www.blackanddecker.se) för att registrera din nya Black & Decker-produkt samt för att erhålla information om nya produkter och specialerbjudanden. Vidare information om märket Black & Decker och vårt produktsortiment återfinns på [www.blackanddecker.se](http://www.blackanddecker.se).

## Bruksområde

Luftpumpen fra Black & Decker er konstruert slik at den kan brukes i og ved hjemmet med den tilhørende kabelen for 230 volt – eller med den tilhørende kabelen for 12 volt likestrøm og adapteren for 12 volt i de fleste kjøretøyer – til å blåse opp bildekk, sykkeldekk, baller osv. Dette produktet er bare beregnet for bruk som forbrukerprodukt i husholdninger.

## Sikkerhetsinstruksjoner

**Advarsel!** Når du bruker nettdrevne apparater, må du ta grunnleggende sikkerhetsforholdsregler, blant annet dem som er beskrevet nedenfor, for å redusere risikoen for brann, batterilekkasje, personskade og skade på materiell.

- ◆ Les hele denne håndboken nøye før du bruker apparatet.
- ◆ Beregnet bruk er beskrevet i denne håndboken. Hvis du bruker annet tilbehør, kobler til annet utstyr eller bruker dette apparatet til andre oppgaver enn det som er anbefalt i denne håndboken, kan det føre til fare for personskade.
- ◆ Ta vare på denne håndboken for fremtidig bruk.

## Bruke apparatet

Vær alltid forsiktig når du bruker apparatet.

- ◆ Det er ikke meningen at dette apparatet skal brukes av unge eller svake personer uten tilsyn.
- ◆ Apparatet skal ikke brukes som leketøy.
- ◆ Pass på at barn og dyr ikke kommer i nærheten av arbeidsområdet, og at de ikke berører apparatet eller strømledningen.
- ◆ Pass ekstra godt på apparatet brukes i nærheten av barn.
- ◆ Brukes bare i tørre omgivelser. Ikke la apparatet bli vått.
- ◆ Ikke senk apparatet ned i vann.
- ◆ Ikke åpne apparatet. Det er ingen deler inni som brukere skal håndtere.
- ◆ Ikke arbeid med apparatet i eksplosjonsfarlige omgivelser, som for eksempel der det befinner seg brennbare væsker, gass eller støv.
- ◆ Dra aldri i kabelen når du skal ta støpset ut av stikkontakten. Dermed reduserer du risikoen for skade på støpsel og kabel.

## Andre personers sikkerhet

- ◆ Det er ikke meningen at dette apparatet skal brukes av personer (inkludert barn) med reduserte fysiske, sansemessige eller mentale evner eller som mangler erfaring og kunnskap, med mindre de har fått oppfølging eller instruksjon når det gjelder bruken av apparatet, fra en person som er ansvarlig for deres sikkerhet.
- ◆ Barn skal være under oppsyn så du er sikker på at de ikke leker med apparatet.

## Etter bruk

- ◆ Når apparatet ikke er i bruk, skal det oppbevares på et tørt og godt ventilert sted utilgjengelig for barn.
- ◆ Barn skal ikke ha tilgang til apparater som oppbevares.
- ◆ Når apparatet oppbevares eller transporteres i et kjøretøy, bør det plasseres i bagasjerommet eller festes, slik at det ikke påvirkes av raske farts- eller retningsendringer.

## Kontroll og reparasjon

- ◆ Før bruk må du kontrollere at apparatet ikke har deler som er skadde eller defekte. Kontroller om noen av delene har sprekker, om bryterne er skadet, eller om det er andre forhold som kan påvirke bruken.
- ◆ Ikke bruk apparatet hvis en av delene er skadet eller defekt.
- ◆ Overlat reparasjon eller utskifting av skadde eller defekte deler til et autorisert serviceverksted.
- ◆ Forsøk aldri å fjerne eller skifte ut andre deler enn dem som er oppgitt i denne håndboken.

## Ytterligere sikkerhetsinstruksjoner for luftpumper

- ◆ Bare for bruk i hjemmet og bilen. Blåser opp bil- og sykkeldekk, baller, bademadrasser og annet i og ved hjemmet.
- ◆ Det er ikke trygt å puste inn den komprimerte luften fra luftpumpen. Pust aldri inn luft fra luftpumpen eller fra pusteutstyr som er koblet til luftpumpen.
- ◆ Blås opp gjenstanden bare så mye som produsenten har anbefalt. Hvis du overskrider det normerte trykket, kan gjenstanden eksplodere, og dette kan føre til personskade.
- ◆ Ikke la luftpumpen gå uten tilsyn. Dekk eller andre gjenstander kan eksplodere.

- ◆ Siden vibrasjoner som luftpumpen skaper, kan få den til å "vandre", må du ikke kjøre den på høye hyller eller andre overflater høyt oppe. Bruk den bare på bakke- eller benkenivå.
- ◆ Ikke endre den, og ikke forsøk å reparere den. Du må aldri bore i, sveise eller gjøre noen endringer på luftpumpen eller tilbehøret til denne.
- ◆ Ikke bruk luftpumpen mens motoren i kjøretøyet går.
- ◆ Bruk luftpumpen bare med det tilbehøret som følger med, eller tilbehør som er normert for 11,03 bar / 160 psi eller høyere. Det kan være farlig å bruke tilbehør som ikke er anbefalt for bruk sammen med dette verktøyet.
- ◆ Ikke lek med verktøyet. Luft med høyt trykk er farlig. Ikke rett luftstrømmen mot deg selv eller andre.
- ◆ Luftpumpen kan bli varm under bruk. La luftpumpen kjøle i 30 minutter før du setter den bort.
- ◆ Bær aldri luftpumpen i slangen.
- ◆ Du må ikke rette munnstykket eller slangen mot dyr eller personer i nærheten.
- ◆ Oppbevar luftpumpen utilgjengelig for små barn.
- ◆ Hensikten med måleren er bare å gi veiledning. Dekktrykk skal kontrolleres regelmessig med en sertifisert måler.
- ◆ Før bruk må du kontrollere strømledningen for tegn på skade, aldring og slitasje.
- ◆ Ikke bruk apparatet hvis strømledningen eller støpselet er skadet eller defekt (der dette er aktuelt).

### Elektrisk sikkerhet



Dette apparatet/verktøyet er dobbeltisolert. Jording er derfor ikke nødvendig. Kontroller alltid at strømforsyningen er i overensstemmelse med spenningen på typeskiltet.

Den elektriske sikkerheten kan forbedres ytterligere ved bruk av jordfeilbryter med høy følsomhet (30 mA / 30 ms).

Hvis strømledningen blir skadet, må den skiftes av produsenten eller et autorisert Black & Decker-serviceverksted så man unngår fare.

### Verktøyet/apparatet er merket med følgende advarselssymboler:



Les håndboken før du bruker luftpumpen.



Ikke utsett apparatet for regn eller høy fuktighet.



Før du utfører vedlikehold på eller rengjøring av apparatet, må du koble fra strømledningen.



Ikke forlat luftpumpen uten tilsyn.

### Funksjoner

1. Deksel for oppbevaringsrom
2. Trykkmåler
3. Luftslange med universalventiladapter
4. Ledning og adapter for 12 volt likestrøm
5. Ledning og støpsel for 230 volt vekselstrøm

### Bruk

#### Oppbevaring av luftslange og ledning

Luftslangen (3) og vekselstrømsledningen (5) oppbevares i oppbevaringsrommet (1) på toppen av luftpumpen (figur A). Hullene i begge sider av dekelet (1) gjør det mulig å trekke slangen og ledningen ut fra rommet, slik at dekelet til oppbevaringsrommet kan være lukket mens luftpumpen er i bruk. Likestrømsledningen (4) oppbevares i oppbevaringsrommet (9) (figur D) bak på luftpumpen.

#### Sette på tilbehør (figur B og E)

Det følger standard koniske dyser og nålepumpedyse (6) med luftpumpen, og disse er plassert på foten til enheten (figur E).

- ◆ Når du skal bruke universalventiladapteren, må du passe på at håndtaket er i øvre stilling.
- ◆ Plasser ventiladapteren over stammen til pumpeålen eller den koniske dysen (figur B).
- ◆ Trykk håndtaket på ventiladapteren ned for å låse den på plass.
- ◆ Sett pumpeålen eller den koniske dysen inn i gjenstanden som skal pumpes opp.

**Merknad:** Pass alltid på at håndtaket er i øvre stilling når luftpumpen ikke er i bruk.

Luftpumpen skal bare brukes med universalventiladapteren eller dysene som følger med.

**Merknad:** Pass på at universalventiladapteren sitter godt på plass før du skrur på luftpumpen.

Mange gjenstander som kan blåses opp, har en innvendig klaff som hindrer luft i å strømme ut under oppblåsing. Hvis ikke dysen skyver bort denne klaffen, blir ikke gjenstanden blåst opp. Trykk dysen bestemt inn i ventilen for å sikre at du skyver denne klaffen unna.

Oppbevar pumpeålen inne i en av de koniske dysene, og klikk de koniske dysene inn i oppbevaringssporene i bunnen av luftpumpen (figur E).

**Advarsel!** For høyt lufttrykk kan føre til fare og risiko for eksplosjon eller personskaade. Kontroller produsentens normerte maksimumstrykk for gjenstandene du blåser opp.

**Merknad:** Hvis det normerte trykket for gjenstanden som blåses opp, er over 100 psi, er maksimal kjøringstid 10 minutter. La luftpumpen hvile i 20 minutter før den brukes igjen.

## Trykkmåler (figur C)

Luftpumpen er utstyrt med en innebygd trykkmåler (2) som stanser pumpen automatisk når et forhåndsinnstilt trykk blir nådd. Trykkmåleren, som sitter på toppen av luftpumpen, viser trykket i psi, bar eller kPa. For bildekk anbefales det at trykkavlesningen kontrolleres ved hjelp av en separat dekktrykkmåler.

## Tilføre strøm til enheten (figur C og D)

**Advarsel!** Ikke bruk enheten med begge strømkilder samtidig.

## Innstilling for 230 volt vekselstrøm

Trekk alltid ledningen for 230 volt vekselstrøm helt ut før bruk.

- ◆ Koble ledningen (5) for 230 volt til en passende nettstrømkilde.

## Innstilling for 12 volt likestrøm

**Advarsel!** Ikke bruk luftpumpen mens bilmotoren går.

**Merknad:** Kontroller at det er strøm i tilbehørskontakten for 12 volt. På noen kjøretøyer kan det hende nøkkelen må være i tilbehørsstilling for at det skal være strøm i tilbehørskontakten.

- ◆ Trekk alltid ledningen for 12 volt helt ut før bruk.
- ◆ Koble ledningen for 12 volt til kontakten (8) i oppbevaringsrommet, og sett adapteren (4) for 12 volt inn i tilbehørskontakten for 12 volt i kjøretøyet.

## Angi ønsket trykk (figur C)

**Advarsel!** Ikke la luftpumpen gå uten tilsyn.

Dekk eller andre gjenstander kan eksplodere.

**Merknad:** Før enheten kan brukes, må du aktivere funksjonen for automatisk stopp.

Når du kobler til enten en vekselstrøms- eller likestrømskilde, lyser det digitale displayet.

- ◆ Trykk inn og hold knappene - og + samtidig for å velge ønsket enhet: psi, bar eller kPa.

**Advarsel!** For høyt lufttrykk kan føre til fare og risiko for eksplosjon eller personskaade. Kontroller produsentens normerte maksimumstrykk for enheter du blåser opp.

- ◆ Trykk på knappene - eller + for å angi trykket du ønsker.
- ◆ Når innstillingen er fullført, blinker LCD-en i 3 sekunder, og det digitale displayet viser null.
- ◆ Koble universalventiladapter og eventuelt tilbehør til gjenstanden som skal blåses opp, og pass på at håndtaket på ventiladapteren er i nedre stilling så den er låst på plass.
- ◆ Når du skal slå luftpumpen på, trykker du på av/på-bryteren (7) som er plassert på den digitale måleren.

**Merknad:** Hvis strømkilden fjernes, forsvinner alle innstillinger, og du må angi dem på nytt som forklart i instruksjonene under overskriften "Angi ønsket trykk".

- ◆ Når gjenstanden som blir blåst opp, har nådd den forhåndsinnstilte verdien, slås enheten av automatisk.

**Merknad:** Du kan slå luftpumpen av når som helst ved å trykke på av/på-bryteren (7) som er plassert på den digitale måleren.

- ◆ Fjern ventiladapteren eller tilbehøret fra gjenstanden som er blåst opp, og koble enheten fra strømkilden.

## Bruke luftpumpen som trykkmåler

- ◆ Pass på at enheten får tilført strøm som beskrevet i avsnittet "Tilføre strøm til enheten".
- ◆ Koble universalventiladapter og eventuelt tilbehør til gjenstanden som skal blåses opp, og pass på at håndtaket på ventiladapteren er i nedre stilling så den er låst på plass.
- ◆ Displayet viser nå det aktuelle trykket i gjenstanden.

## Vedlikehold

Black & Decker-verktøyet ditt er konstruert for å være i drift over lengre tid med et minimum av vedlikehold. Det er avhengig av riktig stell og regelmessig rengjøring for å fungere som det skal til enhver tid.

**Advarsel!** Før du utfører vedlikehold på eller rengjøring av apparatet, må du koble strømmen fra dette.

- ◆ Tørk av apparatet med en fuktig klut av og til. Ikke bruk slipende eller løsemiddelbaserte rengjøringsmidler. Ikke senk apparatet ned i vann.

**Problemløsning**

Problem	Mulig årsak	Mulig løsning
Apparatet starter ikke.	Ledningen er ikke koblet til.	Sett verktøyet i en stikkontakt som virker.
	Verdi for automatisk stopp er ikke angitt.	Still inn funksjonen for automatisk stopp.
	Forhåndsinnstilt verdi kan være under faktisk trykk.	Juster den forhåndsinnstilte verdien til en høyere verdi.
	Sikringen i adapteren for 12 volt er gått.	Erstatt sikringen med en av samme størrelse og type (8 A / 250 V).
	Ledningen eller bryteren er skadet.	Få byttet ledningen eller bryteren ved et Black & Decker-servicesenter eller et autorisert servicesenter.

**Bytte nettstøpsel (gjelder bare Storbritannia og Irland)**

Hvis det må settes på nytt nettstøpsel:

- ◆ Kast det gamle støpselet på en trygg måte.
- ◆ Koble den brune ledningen til den strømførende terminalen i det nye støpselet.
- ◆ Koble den blå ledningen til den nøytrale terminalen.

**Advarsel!** Det skal ikke gjøres noen kobling til jordterminalen. Følg monteringsinstruksjonene som følger med støpsler av god kvalitet. Anbefalt sikring: 3 A.

**Miljø**

Separat avfallshåndtering. Dette produktet må ikke kastes sammen med vanlig husholdningsavfall.

Hvis du synes Black & Decker-produktet bør skiftes ut, eller du ikke har bruk for det lenger, må du ikke kaste det sammen med husholdningsavfall. Sørg for separat avfallshåndtering for dette produktet.



Hvis brukte produkter og emballasje leveres atskilt, kan materialer resirkuleres og brukes på nytt. Gjenbruk av resirkulerte materialer bidrar til redusert miljøforurensing og reduserer behovet for råmaterialer.

Det kan være lokale bestemmelser for separat avfallshåndtering for elektriske produkter fra husstander på kommunale avfallsplasser eller hos forhandleren når du kjøper et nytt produkt.

Black & Decker har en ordning for innsamling og resirkulering av Black & Decker-produkter som ikke skal brukes lenger. Du kan benytte denne tjenesten ved å levere produktet til et hvilket som helst autorisert serviceverksted.

Du kan finne ut hvor nærmeste autoriserte serviceverksted er, ved å kontakte din lokale Black & Decker-avdeling på adressen som er oppgitt i denne håndboken. En oversikt over autoriserte Black & Decker-serviceverksteder og alle opplysninger om ettersalgsservice og kontakter er også tilgjengelig på Internett: [www.2helpU.com](http://www.2helpU.com).

**Tekniske data**

ASI300	
Inngangsspenning	V AC / V DC 230/12
Inngangsstrøm	A 0,5/8
Støyverdi	db 84
Trykk (maks.)	kPa/psi/bar 1103/160/11,03
Vekt	kg 1,93

**EF-samsvarserklæring**

ASI300 TYPE 2

Black & Decker erklærer at disse produktene er i samsvar med standarder og lovgivning. EN60335, 2006/95/EF

Undertegnede er ansvarlig for utarbeidelsen av den tekniske dokumentasjonen og gir denne erklæringen på vegne av Black & Decker.

Kevin Hewitt  
Direktør for forbrukerteknikk  
Spennymoor, County Durham, DL16 6JG  
Storbritannia  
6.7.2009

## Garanti

Black & Decker er trygg på kvaliteten på sine produkter og tilbyr en enestående garanti. Denne garantierklæringen kommer i tillegg til dine lovbestemte rettigheter og er ikke i konflikt med disse. Garantien er gyldig i EU- og EFTA-medlemsstatene.

Hvis et Black & Decker-produkt blir defekt på grunn av materialfeil, fabrikkasjonsfeil eller manglende samsvar med spesifikasjonene, innen 24 måneder fra kjøpet, påtar Black & Decker seg å skifte ut defekte deler, reparere produkter som har vært utsatt for alminnelig slitasje, eller bytte ut slike produkter med minst mulig vanskelighet for kunden, med mindre:

- ◆ produktet har vært brukt i yrkes-/næringsvirksomhet eller til utleie.
- ◆ produktet har vært utsatt for feilaktig bruk eller forsømmelse.
- ◆ produktet er blitt skadet av fremmede gjenstander eller stoffer eller ved et uhell.
- ◆ andre enn autoriserte serviceverksteder eller Black & Deckers serviceteknikere har forsøkt å reparere produktet.

Hvis du vil benytte garantien, må du vise kjøpskvittering til forhandleren eller til et autorisert serviceverksted.

Du kan finne ut hvor nærmeste autoriserte serviceverksted er, ved å kontakte din lokale Black & Decker-avdeling på den adressen som er oppgitt i denne håndboken. En oversikt over autoriserte serviceverksteder og alle opplysninger om ettersalgsservice og kontakter er også tilgjengelig på Internett: **www.2helpU.com**.

Besøk vårt webområde **www.blackanddecker.no** for å registrere ditt nye Black & Decker-produkt og for å holde deg oppdatert om nye produkter og spesialtilbud. Du finner mer informasjon om Black & Decker og produktutvalget vårt på **www.blackanddecker.no**.

## Anvendelsesområde

Din Black & Decker-pumpe er beregnet til oppumpning af bil- og cykeldæk, bolde etc. i og omkring hjemmet vha. 230 V-ledningen eller 12 V-ledningen i de fleste biler vha. 12 V-adapteren. Dette produkt er kun beregnet til privat brug.

## Sikkerhedsvejledninger

**Advarsel!** Ved brug af apparater, der strømforsynes fra forsyningsnettet, er det vigtigt, at grundlæggende sikkerhedsforholdsregler, herunder bl.a. nedenstående, altid følges for at mindske risikoen for brand, elektrisk stød, personskade og tingskade.

- ◆ Læs hele vejledningen omhyggeligt, før du bruger apparatet.
- ◆ Anvendelsesområdet er beskrevet i denne vejledning. Brugen af ekstraudstyr eller tilbehør eller udførelse af andet arbejde med dette apparat end det, der anbefales i denne vejledning, kan udgøre en risiko for personskade.
- ◆ Opbevar denne vejledning til senere brug.

### Brug af apparatet

Vær altid opmærksom ved brugen af apparatet.

- ◆ Dette apparat må ikke bruges af børn eller svagelige personer uden opsyn.
- ◆ Apparatet må ikke bruges som legetøj.
- ◆ Lad ikke børn eller dyr komme i nærheden af arbejdsområdet eller røre ved apparatet eller netledningen.
- ◆ Vær meget opmærksom, når apparatet benyttes i nærheden af børn.
- ◆ Apparatet må kun bruges på tørre steder. Lad ikke apparatet blive vådt.
- ◆ Apparatet må ikke nedsænkes i vand.
- ◆ Kabinettet må ikke åbnes. Der er ingen dele inde i kabinettet, som kan serviceres af brugeren.
- ◆ Brug ikke apparatet i eksplosive omgivelser, f.eks. hvor der er brændbare væsker, gasser eller støv.
- ◆ For at reducere risikoen for beskadigelse af stik og ledninger må du aldrig trække i ledningen for at tage stikket ud af en stikkontakt.

### Andres sikkerhed

- ◆ Dette apparat er ikke beregnet til at blive brugt af personer (herunder børn) med nedsatte fysiske, sensoriske eller mentale evner eller manglende erfaring og viden, med mindre det sker under overvågning, eller der gives instruktion i brugen af apparatet af en person, der er ansvarlig for deres sikkerhed.
- ◆ Børn skal holdes under opsyn, så det sikres, at de ikke leger med apparatet.

### Efter brug

- ◆ Opbevar apparatet på et tørt, godt ventileret sted uden for børns rækkevidde, når det ikke er i brug.
- ◆ Opbevar apparater utilgængeligt for børn.
- ◆ Når apparatet opbevares eller transporteres i et køretøj, skal det anbringes i bagagerummet eller fastgøres for at forhindre bevægelse som følge af pludselige ændringer i hastighed eller retning.

### Eftersyn og reparationer

- ◆ Kontroller apparatet for beskadigede eller defekte dele før brug. Se efter knækkede dele, skader på kontakter og eventuelle andre forhold, der kan påvirke apparatets funktion.
- ◆ Brug ikke apparatet med beskadigede eller defekte dele.
- ◆ Få beskadigede eller defekte dele repareret eller udskiftet på et autoriseret værksted.
- ◆ Forsøg aldrig at fjerne eller udskifte dele ud over dem, der er beskrevet i denne vejledning.

### Yderligere sikkerhedsvejledninger for pumper

- ◆ Kun til brug i hjemmet og i bilen. Oppump bil- og cykeldæk, bolde, luftmadrasser etc. i og omkring hjemmet.
- ◆ Indånd ikke komprimeret luft fra pumpen. Indånd aldrig luften fra pumpen eller fra en åndedrætsenhed, der er sluttet til pumpen.
- ◆ Oppump kun genstande i henhold til producenternes anbefalinger. Overskrides deres nominelle tryk, kan de eksplodere, hvilket kan medføre personskade.
- ◆ Lad ikke pumpen køre uden opsyn. Dæk eller andre genstande kan eksplodere.
- ◆ Da de vibrationer, som pumpen frembringer, kan medføre, at den bevæger sig, må den ikke anvendes på en høj hyld eller lignende. Anvend den i gulv- eller siddehøjde.
- ◆ Foretag ikke ændringer ved pumpen, og forsøg ikke at reparere den. Bor ikke hul i pumpen, svejs ikke på den, og foretag ikke ændringer på den eller dens tilbehør.
- ◆ Betjen ikke pumpen, mens bilens motor kører.
- ◆ Anvend den kun med det medfølgende tilbehør eller tilbehør klassificeret til 11,03 bar/160 psi eller derover. Brugen af tilbehør, som ikke anbefales sammen med dette værktøj, kan være farligt.
- ◆ Leg ikke med værktøjet. Luft under højt tryk kan være farligt. Ret ikke luftstrømmen mod dig selv eller andre.
- ◆ Pumpen kan blive varm under brug. Lad pumpen køle af i 30 minutter, inden den sættes væk.
- ◆ Bær aldrig pumpen i slangen.
- ◆ Ret ikke dysen eller slangen mod dyr eller personer i nærheden.

- ◆ Opbevar pumpen uden for mindre børns rækkevidde.
- ◆ Måleren er kun vejledende. Dæktryk skal kontrolleres regelmæssigt vha. en certificeret trykmåler.
- ◆ Kontroller strømforsyningsledningen for tegn på beskadigelse, ældning og slid før brug.
- ◆ Brug ikke apparatet, hvis strømforsyningsledningen eller stikket er beskadiget eller ødelagt (hvis relevant).

## Elektricitet og sikkerhed



Dette værktøj/apparat er dobbelt isoleret. Derfor er en jordledning ikke nødvendig. Kontroller altid, at strømforsyningen svarer til spændingen på typeskiltet.

Den elektriske sikkerhed kan forbedres yderligere ved brug af en højfølsom (30 mA/30 mS) fejlstrømsafbryder.

Hvis netledningen beskadiges, skal den udskiftes af producenten eller et autoriseret Black & Decker-værksted, så farlige situationer undgås.

## Følgende advarselssymboler findes på værktøjet/apparatet:



Læs brugervejledningen, før pumpen tages i brug.



Udsæt ikke apparatet for regn eller høj luftfugtighed.



Tag stikket ud, før apparatet vedligeholdes eller rengøres.



Efterlad ikke pumpen uden opsyn.

## Funktioner

1. Dæksel til opbevaringsrum
2. Trykmåler
3. Luftslange med universalventiladapter
4. 12 V-jævnstrømsledning og adapter
5. 230 V-vekselstrømsledning og stik

## Anvendelse

### Opbevaringsrum til luftslange og ledning

Luftslangen (3) og vekselsstrømsledningen (5) opbevares i opbevaringsrummet (1) i toppen af pumpen (fig. A). Hullerne i begge sider af dækslet (1) gør det muligt at føre slangen og ledningen ud af rummet, så låget kan lukkes, mens pumpen er i brug. Jævnstrømsledningen (4) opbevares i opbevaringsrummet (9) (fig. D) på pumpens bagside.

### Montering af tilbehøret (fig. B og E)

Der følger tilspidsede standarddyser og en kanylepumpedyse (6) med pumpen. Dette tilbehør sidder nederst på enheden (fig. E).

- ◆ For at bruge universalventiladapteren skal grebet være i øverste stilling.
- ◆ Anbring ventiladapteren over pumpekanylen eller den tilspidsede dyse (fig. B).
- ◆ Skub grebet på ventiladapteren ned for at låse den på plads.
- ◆ Anbring pumpekanylen eller den tilspidsede dyse i emnet, der skal pumpes op.

**Bemærk:** Grebet skal altid stå i øverste stilling, når pumpen ikke er i brug.

Anvend kun pumpen sammen med universalventiladapteren eller med de medfølgende dysere.

**Bemærk:** Kontroller, at universalventiladapteren er låst på plads, inden pumpen startes.

Mange oppustelige genstande har en indvendig flap, som forhindrer lufttab under oppumpningen. Dysen skal flytte denne flap, for at genstanden kan pumpes op. Skub dysen helt ind i ventilen, for at sikre at flappen flyttes.

Opbevar pumpekanylen i en af de tilspidsede dysere, og sæt de tilspidsede dysere fast i opbevaringsåbningen i bunden af pumpen (fig. E).

**Advarsel!** Et for kraftigt lufttryk kan medføre risiko for eksplosion eller personskade. Kontroller producentens maksimale, nominelle tryk for den genstand, der pumpes op.

**Bemærk:** Hvis det nominelle tryk for den genstand, der pumpes op, er over 100 psi, skal det bemærkes, at den maksimale køretid er 10 minutter, hvorefter pumpen skal stå stille i 20 minutter, før den bruges igen.

### Trykmåler (fig. C)

Pumpen er udstyret med en indbygget trykmåler (2), som automatisk lukker ned, når det forudindstillede lufttryk er nået. Trykmåleren, som er placeret oven på pumpen, viser trykket i psi, bar eller kPa. Ved bildæk anbefales det at kontrollere det aflæste tryk med en separat dæktrykmåler.

### Strømforsyning af enheden (fig. C og D)

**Advarsel!** Betjen ikke enheden fra begge strømkilder samtidigt.

### 230 Vac-funktion

Træk altid 230 Vac-ledningen helt ud inden brug.

- ◆ Slut 230 V-ledningen (5) til en egnet stikkontakt.



## 12 Vdc-funktion

**Advarsel!** Anvend ikke pumpen, mens bilens motor kører.

**Bemærk:** Kontroller, at 12 V-tilbehørsstikket er strømførende. Nogle biler kræver, at tændingen er slået til, for at tilbehørsstikket får strøm.

- ◆ Træk altid 12 V-ledningen helt ud inden brug.
- ◆ Slut 12 V-ledningen til kontakten (8) i opbevaringsrummet, og sæt 12 V-adapteren (4) i køretøjets 12 V-tilbehørsudtag.

## Indstilling af det ønskede tryk (fig. C)

**Advarsel!** Lad ikke pumpen køre uden opsyn. Dæk eller andre genstande kan eksplodere.

**Bemærk:** Du skal indstille den automatiske nedlukningsfunktion, før enheden fungerer.

Det digitale display lyser, når pumpen sluttes til enten en vekselstrøms- eller jævnstrømskilde.

- ◆ Hold knapperne - og + nede samtidig for at vælge den ønskede enhed, psi, bar eller kPa.

**Advarsel!** Et for kraftigt lufttryk kan medføre risiko for eksplosion eller personskade. Kontroller producentens maksimale, nominelle tryk inden en genstand pumpes op.

- ◆ Tryk på knappen - eller + for at indstille det ønskede tryk.
- ◆ Når dette er indstillet, blinker LCD'et i 3 sekunder, og det digitale display viser nul.
- ◆ Slut om nødvendigt universaladapterventilen og tilbehør til den genstand, der skal pumpes op; kontroller, at grebet på ventiladapteren er i nederste stilling, og lås den på plads.
- ◆ Tryk på afbryderkontakten (7) på den digitale måler for at tænde pumpen.

**Bemærk:** Hvis strømkilden fjernes, går alle indstillinger tabt og skal indtastes igen som beskrevet under "Indstilling af det ønskede tryk".

- ◆ Når den genstand, der pumpes op, har nået den indstillede værdi, slukkes pumpen automatisk.

**Bemærk:** Tryk på afbryderkontakten (7) på den digitale måler for at slukke pumpen.

- ◆ Tag ventiladapteren eller tilbehøret ud af den oppumpede genstand, og fjern enheden fra strømkilden.

## Brug af pumpen som trykmåler

- ◆ Kontroller, at der er strøm til enheden som beskrevet i afsnittet "Strømforsyning af enheden".
- ◆ Slut om nødvendigt universaladapterventilen og tilbehør til den genstand, der skal pumpes op; kontroller, at grebet på ventiladapteren er i nederste stilling, og lås det på plads.
- ◆ Displayet viser nu det faktiske tryk i genstanden.

## Vedligeholdelse

Dit Black & Decker-værktøj er beregnet til brug gennem lang tid med et minimum af vedligeholdelse. Fortsat tilfredsstillende drift afhænger af korrekt behandling af værktøjet samt regelmæssig rengøring.

**Advarsel!** Tag apparatet ud af stikkontakten, før der udføres nogen form for vedligeholdelse eller rengøring.

- ◆ Aftør regelmæssigt apparatet med en fugtig klud. Der må ikke bruges skuremidler eller opløsningsmidler. Apparatet må ikke nedsænkes i væsker.

## Fejlfinding

Problem	Mulig årsag	Mulig løsning
Apparatet vil ikke starte.	Ledningen er ikke sat i.	Sæt ledningen i en stikkontakt, der fungerer.
	Værdi for automatisk nedlukning ikke indstillet.	Indstil den automatiske nedlukningsfunktion.
	Den indstillede værdi kan være lavere end det faktiske tryk.	Juster den indstillede værdi til en højere værdi.
	Sikringen i 12 V-adapteren er sprunget.	Udskift sikringen med en ny af samme størrelse og type (8A/250V).
	Ledningen eller kontakten er beskadiget.	Få ledningen eller kontakten udskiftet på et Black & Decker-værksted eller autoriseret servicecenter.

## Udskiftning af stik (kun Storbritannien og Irland)

Sådan monteres et nyt stik:

- ◆ Det gamle stik skal bortskaffes på en sikker måde.
- ◆ Slut den brune ledning til den strømførende klemme på det nye stik.
- ◆ Slut den blå ledning til den neutrale klemme.

**Advarsel!** Der skal ikke foretages nogen tilslutning til jordklemmen. Følg de monteringsanvisninger, der leveres sammen med kvalitetsstik. Anbefalet sikring: 3 A.

## Miljøbeskyttelse



Separat bortskaffelse. Dette produkt må ikke bortskaffes sammen med almindeligt husholdningsaffald.

Når dit Black & Decker-produkt en dag er udtjent, eller du ikke længere har brug for det, må du ikke smide det ud sammen med det almindelige affald. Produktet skal bortskaffes separat.



Ved separat bortskaffelse af brugte produkter og emballage bliver der mulighed for at genanvende forskellige materialer. Genanvendelse af materialer medvirker til at forebygge miljøforurening og mindsker behovet for råstoffer.

Lokal lovgivning kan kræve separat indsamling af elektriske husholdningsapparater på kommunale affaldsdepoter eller af den detailhandlende ved køb af et nyt produkt.

Black & Decker sørger for at indsamle og genanvende Black & Decker-produkter, når disse ikke længere kan bruges. Hvis du vil benytte dig af denne service, skal du returnere produktet til et autoriseret værksted, der indsamler produkterne for os.

Kontakt det lokale Black & Decker-kontor på den adresse, der er opgivet i denne vejledning, for at få oplysninger om nærmeste autoriserede værksted. En liste over alle autoriserede Black & Decker-serviceværksteder samt servicevilkår er tilgængelig på internettet på adressen: [www.2helpU.com](http://www.2helpU.com).

#### Tekniske data

ASI300	
Indgangsspænding	Vac/Vdc 230/12
Indgangsstrøm	A 0,5/8
Støjværdi	db 84
Tryk (maks.)	kpa / psi / bar 1103 / 160 / 11,03
Vægt	kg 1,93

### EF-overensstemmelseserklæring

ASI300 TYPE 2

Black & Decker erklærer, at disse produkter er i overensstemmelse med:

Standarder og lovgivning.  
EN60335, 2006/95/EF

Undertegnede er ansvarlig for udarbejdelsen af de tekniske data og fremsætter denne erklæring på vegne af  
Black & Decker

Kevin Hewitt  
Director of Consumer Engineering  
Spennymoor, County Durham, DL16 6JG  
Storbritannien  
06-07-2009

### Garanti

Black & Decker garanterer, at produktet er fri for materielle skader og/eller fabriktionsfejl ved levering til kunden. Garantien er et tillæg til forbrugers lovsikrede rettigheder og påvirker ikke disse. Garantien gælder inden for medlemsstaterne af den Europæiske Union og i det Europæiske Frihandelsområde.

Hvis et Black & Decker-produkt går i stykker på grund af materiel skade og/eller fabriktionsfejl eller på anden måde ikke fungerer i overensstemmelse med specifikationen inden for 24 måneder fra købsdatoen, påtager Black & Decker sig at reparere eller ombytte produktet med mindst mulig ulempe for kunden. Garantien gælder ikke for fejl og mangler, der er sket i forbindelse med:

- ◆ Produktet har været anvendt erhvervsmæssigt eller til udlejning.
- ◆ Produktet har været anvendt forkert eller er ikke vedligeholdt.
- ◆ Produktet er beskadiget af fremmedlegemer, substanser eller pga. uheld.
- ◆ Garantien gælder ikke, hvis reparationer er udført af andre end et autoriseret Black & Decker-værksted.

For at udnytte garantien skal produktet og købskvitteringen indleveres til forhandleren eller til et autoriseret værksted. Kontakt det lokale Black & Decker-kontor på den adresse, der er opgivet i denne vejledning, for at få oplysninger om nærmeste autoriserede værksted. En liste over alle autoriserede Black & Decker-serviceværksteder samt servicevilkår er tilgængelig på internettet på adressen: [www.2helpU.com](http://www.2helpU.com).

Gå venligst ind på vores website [www.blackanddecker.dk](http://www.blackanddecker.dk) for at registrere dit nye produkt og for at blive holdt ajour om nye produkter og specialtilbud. Der findes yderligere oplysninger om mærket Black & Decker og vores produktsortiment på adressen [www.blackanddecker.dk](http://www.blackanddecker.dk).

## Käyttötarkoitus

Black & Deckerin täyttölaite on tarkoitettu käytettäväksi kotiympäristössä sen 230 voltin verkkojohdon tai useimmissa autoissa sen oman 12 voltin tasavirtajohdon ja 12 voltin sovittimen avulla. Laitteella voi täyttää esimerkiksi auton tai polkupyörän renkaita sekä palloja. Tuote on tarkoitettu ainoastaan kotikäyttöön.

## Turvaohjeet

**Varoitus!** Sähkölaitteita käytettäessä on aina noudatettava asianmukaisia turvaohjeita, jotta tulipalojen, sähköiskujen, henkilövahinkojen ja materiaaliavurioiden riski olisi mahdollisimman pieni.

- Lue tämä käyttöohje kokonaan huolellisesti ennen laitteen käyttöä.
- Käyttötarkoitukset kuvataan tässä käyttöohjeessa. Muiden kuin tässä käyttöohjeessa suositeltujen lisävarusteiden tai -osien käyttö sekä laitteen käyttö muuhun kuin käyttöohjeessa suositeltuun tarkoitukseen voi aiheuttaa henkilövahingon vaaran.
- Säilytä tämä käyttöohje tulevaa tarvetta varten.

## Laitteen käyttö

Ole aina huolellinen käyttäessäsi laitetta.

- Tätä laitetta ei ole tarkoitettu nuorten tai lihasvoimaltaan heikkojen henkilöiden käyttöön ilman valvontaa.
- Laitetta ei saa käyttää leluina.
- Älä anna lasten tai eläinten tulla lähelle työskentelyaluetta tai koskea laitteeseen tai virtajohtoon.
- Jos laitetta käytetään lasten läheisyydessä, on oltava tarkkaavainen.
- Soveltuu vain kuivaan käyttöympäristöön. Älä anna laitteen kastua.
- Älä upota laitetta veteen.
- Älä avaa laitteen koteloa. Sen sisällä ei ole käyttäjän huollettavissa olevia osia.
- Älä käytä laitetta räjähdysalttiissa ympäristössä, jossa on syttyvää nestettä, kaasua tai pölyä.
- Älä koskaan irrota johtoa pistorasiasta johdosta vetäen. Pistoke tai johto voi vahingoittua.

## Muiden turvallisuus

- Tätä laitetta ei ole tarkoitettu sellaisten henkilöiden käyttöön, joilla on fyysisiä tai älyllisiä rajoitteita tai aistirajoitteita, eikä laitteen toimintaan perehtymättömien henkilöiden käyttöön (lapset mukaan luettuina), paitsi valvonnan alaisina, tai jos he ovat saaneet laitteen käyttöön liittyvää opastusta heidän turvallisuudestaan vastaavalta henkilöltä.
- Lapsia on valvottava ja estettävä heitä leikkimästä laitteella.

## Käytön jälkeen

- Kun laitetta ei käytetä, säilytä sitä kuivassa, hyvin tuuletetussa paikassa poissa lasten ulottuvilta.
- Pidä laite lasten ulottumattomissa.
- Kun laitetta säilytetään tai kuljetetaan ajoneuvossa, sijoita se tavaratilaan tai kiinnitä se pitävästi niin, ettei se matkan aikana pääse liikkumaan.

## Tarkastus ja korjaus

- Tarkista ennen laitteen käyttöä, ettei laitteessa ole vahingoittuneita tai viallisia osia. Tarkista osien ja kytkimien kunto sekä muut seikat, jotka voivat vaikuttaa laitteen toimintaan.
- Älä käytä laitetta, jos jokin osa on vahingoittunut tai viallinen.
- Korjauta tai vaihdata vahingoittuneet tai vialliset osat valtuutetussa huoltoliikkeessä.
- Älä koskaan yritä korjata tai vaihtaa muita kuin tässä käyttöohjeessa erikseen määriteltyjä osia.

## Täyttölaitteiden lisäturvaohjeet

- Laite on tarkoitettu käytettäväksi kotona tai autossa. Voit täyttää laitteella esimerkiksi auton tai pyörän renkaita, palloja ja uimapatjoja kotiympäristössä.
- Täyttölaitteesta tulevaa paineilmaa ei saa hengittää. Älä koskaan hengitä täyttölaitteesta tai täyttölaitteeseen liitetystä hengityslaitteesta tulevaa ilmaa.
- Täytä esineet valmistajan suositusten mukaan. Jos ylität enimmäispainesuosituksen, esine voi räjähtää ja aiheuttaa henkilövahingon.
- Älä jätä käytössä olevaa täyttölaitetta ilman valvontaa. Rengas tai muu esine saattaa räjähtää.
- Täyttölaitteen tärinä voi liikuttaa sitä, joten älä käytä laitetta sen ollessa korkealla hyllyllä tai muulla vastaavalla alustalla. Käytä laitetta vain sen ollessa maassa tai muulla vastaavalla tasolla.
- Älä yritä muuttaa tai korjata laitetta. Älä koskaan poraa tai hitsaa täyttölaitetta tai sen lisäosia äläkä tee niihin mitään muutoksia.
- Älä käytä täyttölaitetta auton moottorin ollessa käynnissä.
- Käytä vain pakkauksen mukana tulleita lisävarusteita tai sellaisia lisävarusteita, joiden nimellispainearvo on vähintään 11,03 baaria tai 160 psi:tä. Sellaisten lisävarusteiden käyttö, joita ei ole suositeltu käytettäväksi laitteen kanssa, saattaa johtaa vaaratilanteeseen.
- Älä leiki laitteella. Korkeapaineilma on vaarallista. Älä suuntaa ilmavirtaa itseäsi tai muita ihmisiä kohti.
- Täyttölaite voi kuumentua käytön aikana. Anna täyttölaitteen jäähtyä 30 minuutin ajan ennen varastointia.

- ◆ Älä kannaa täyttölaitetta letkusta.
- ◆ Älä suuntaa suutinta tai letkua eläimiin tai lähellä olevia ihmisiä kohti.
- ◆ Säilytä täyttölaitetta pienten lasten ulottumattomissa.
- ◆ Mittari on tarkoitettu vain suuntaa antavaksi. Renkaiden paine on tarkistettava säännöllisesti hyväksytyllä mittarilla.
- ◆ Tarkista ennen käyttöä, että sähköjohto ei ole vaurioitunut, vanhentunut tai kulunut.
- ◆ Älä käytä laitetta, jos virtajohto tai pistoke on vahingoittunut tai viallinen (jos laitteessa on ne).

### Sähköturvallisuus



Tämä työkalu/laitte on kaksoeristetty, joten erillistä maadoitusta ei tarvita. Tarkista aina, että virtalähde vastaa arvokilvessä ilmoitettua jännitettä.

Sähköturvallisuutta voi parantaa käyttämällä erittäin herkkää (30 mA / 30 mS) vikavirtasuojaa.

Jos virtajohto vahingoittuu, sen vaihtaminen tulee turvallisuussyistä jättää valmistajan tai valtuutetun Black & Decker -huollon tehtäväksi.

### Työkalussa/laitteessa on seuraavat varoitusmerkinnot:



Lue ohjeet huolellisesti ennen täyttölaitteen käyttöä.



Älä käytä laitetta sateessa tai erittäin kosteissa olosuhteissa.



Ennen huoltoa ja puhdistusta laitteeseen tulee olla pois päältä ja irti virtalähteestä.



Älä jätä täyttölaitetta ilman valvontaa.

### Yleiskuvaus

1. Säilytyslokeron kansi
2. Painemittari
3. Ilmaletku, jossa yleisventtiilin sovitin
4. 12 voltin tasavirtajohto ja sovitin
5. 230 voltin virtajohto ja pistoke

## Käyttö

### Ilmaletkun ja johdon säilytyslokeron

Ilmaletkua (3) ja virtajohtoa (5) säilytetään täyttölaitteen päällä olevassa lisävarusteiden säilytyslokerossa (1) (kuva A). Letku ja johto voidaan vetää ulos lokeroista kannen (1) kummallakin puolella olevista aukoista niin, että lokeron kansi voidaan sulkea täyttölaitteen ollessa käytössä. Tasavirtajohtoa (4) säilytetään täyttölaitteen takaosassa olevassa säilytyslokerossa (9) (kuva D).

### Lisävarusteiden kiinnitys (kuvat B ja E)

Täyttölaitteen mukana toimitetaan kartiomaiset vakiosuuttimet ja täytöneula (6), jotka sijaitsevat laitteen alustaosassa (kuva E).

- ◆ Varmista, että vipu on yläasennossa, kun haluat käyttää yleisventtiilin sovittinta.
- ◆ Aseta venttiilin sovitin täytöneulan tai kartiomaisen suuttimen karan päälle (kuva B).
- ◆ Paina venttiilin sovittimessa oleva vipu alas niin, että se lukkiutuu paikalleen.
- ◆ Aseta täytöneula tai kartiomainen suutin täytettävän esineen venttiiliin.

**Huomautus:** Varmista aina, että vipu on yläasennossa, kun laitetta ei käytetä.

Käytä täyttölaitteessa vain yleisventtiilin sovittinta tai mukana tulleita suuttimia.

**Huomautus:** Varmista, että yleisventtiilien sovitin on tukevasti lukittu paikalleen, ennen kuin käynnistät täyttölaitteen.

Monissa ilmalla täytettävissä esineissä on sisäinen läppä, joka estää ilman poistumisen täytön aikana. Jos suutin ei siirrä läppää, täytettävä esine ei täyty ilmalla. Paina suutin tukevasti kiinni venttiiliin, jotta läppä siirtyy pois tieltä.

Säilytä täytöneulaa kartiomaisen suuttimen sisällä ja paina kartiomaiset suuttimet säilytysuriin, jotka ovat täyttölaitteen pohjassa (kuva E).

**Varoitus!** Liian suuri ilmanpaine voi aiheuttaa vaarallisen räjähdyksen tai tapaturman vaaran. Tarkista täytettävän esineen valmistajan ilmoittama enimmäispainearvo.

**Huomautus:** Jos täytettävän esineen enimmäispaineen arvo on yli 100 psi, huomaa, että laitteen enimmäiskäyttöaika on 10 minuuttia. Anna laitteen olla itseksensä 20 minuutin ajan, ennen kuin käytät sitä uudelleen.

## Painemittari (kuva C)

Tässä täyttölaitteessa on painemittari (2), joka pysäyttää laitteen toiminnan automaattisesti, kun ennalta määritetty ilmanpaine saavutetaan. Täyttölaitteen päällä olevasta mittarista näet painelukeman psi-, bar- tai kPa-arvona. Jos täytät auton renkaan, on suositeltavaa varmistaa painelukema erillisellä rengasmittarilla.

## Laitteen virran saanti (kuvat C ja D)

**Varoitus!** Älä käytä laitetta siten, että se saa virtaa samanaikaisesti molemmista virtalähteistä.

### 230 V AC:n tila

Vedä 230 V AC:n johto aina täyteen pituuteensa ennen kutakin käyttökertaa.

- ◆ Kytke 230 voltin johto (5) sopivaan verkkovirtalähteeseen.

### 12 V DC:n tila

**Varoitus!** Älä käytä täyttölaitetta auton moottorin käydessä.

**Huomautus:** Varmista, että 12 voltin lisälaiteliitäntään saadaan virtaa. Joissakin ajoneuvoissa lisälaiteliitäntään tulee virtaa vain, kun virta on kytketty virta-avaimella.

- ◆ Vedä 12 V DC:n johto aina täyteen pituuteensa ennen kutakin käyttökertaa.
- ◆ Kytke 12 voltin johto säilytyslokerossa olevaan liitäntään (8) ja 12 voltin sovitin (4) auton 12 voltin lisälaiteliitäntään.

## Tarvittavan paineen asettaminen (kuva C)

**Varoitus!** Älä jätä käytössä olevaa täyttölaitetta ilman valvontaa. Rengas tai muu esine saattaa räjähtää.

**Huomautus:** Automaattinen pysäytystoiminto on asetettava, ennen kuin laite toimii.

Kun kytket laitteen vaihto- tai tasavirtalähteeseen, digitaalinäyttöön syttyy valo.

- ◆ Paina painikkeita – ja + samanaikaisesti valitaksesi haluamasi yksikön: psi, bar tai kPa.

**Varoitus!** Liian suuri ilmanpaine voi aiheuttaa vaarallisen räjähdysriskin tai tapaturman vaaran. Tarkista täytettävän esineen valmistajan antama enimmäispainesuositus.

- ◆ Aseta haluamasi paine painamalla painikkeita – ja +.
- ◆ Kun olet asettanut paineen, LCD-valo vilkkuu kolme sekuntia ja digitaalinäytössä näkyy nolla.
- ◆ Kytke yleisventtiiliin sovitin ja tarvittavat lisävarusteet täytettävään esineeseen ja varmista, että venttiiliin sovittimen vipu on ala-asennossa niin, että sovitin on lukittu paikalleen.
- ◆ Käynnistä täyttölaitte painamalla digitaalisessa mittarissa olevaa virtakytkintä (7).

**Huomautus:** Jos virtalähde irrotetaan, kaikki asetukset katoavat ja ne on annettava uudelleen noudattamalla ohjeita, jotka ovat kohdassa Tarvittavan paineen asettaminen.

- ◆ Kun täytettävän esineen paine saavuttaa esiasetetun arvon, laite sammuu automaattisesti.

**Huomautus:** Voit milloin tahansa sammuttaa täyttölaitteen painamalla digitaalisessa mittarissa olevaa virtakytkintä (7).

- ◆ Irrota venttiiliin sovitin tai lisälaitte täytetystä esineestä ja laite virtalähteestä.

## Täyttölaitteen käyttö painemittarina

- ◆ Varmista kohdassa Laitteen virran saanti kuvatulla tavalla, että laite saa virtaa.
- ◆ Kytke yleisventtiiliin sovitin ja tarvittavat lisävarusteet täytettävään esineeseen ja varmista, että venttiiliin sovittimen vipu on ala-asennossa niin, että sovitin on lukittu paikalleen.
- ◆ Näytössä näkyy esineen painearvo kyseisellä hetkellä.

## Huolto

Black & Decker -työkalu on suunniteltu toimimaan mahdollisimman pitkän aikaa mahdollisimman vähällä huollolla. Oikealla huollolla ja säännöllisellä puhdistuksella laite säilyttää suorituskykynsä.

**Varoitus!** Ennen huoltoa ja puhdistusta laitteen tulee olla pois päältä ja irti virtalähteestä.

- ◆ Pyyhi laite säännöllisesti kostealla liinalla. Älä koskaan käytä puhdistamiseen liuotainaineita tai syövyttäviä puhdistusaineita. Älä upota laitetta veteen.

## Vianmääritys

Ongelma	Mahdollinen syy	Mahdollinen ratkaisu
Laite ei käynnisty.	Johtoa ei ole kytketty.	Kytke työkalu pistorasiaan.
	Automaattista pysäytysarvoa ei ole asetettu.	Aseta automaattinen pysäytystoiminto.
	Esiasetettu arvo voi olla todellista painetta pienempi.	Säädä esiasetettu arvo suuremmaksi.
	12 voltin sovittimen sulake on palanut.	Vaihda sulake saman kokoiseen ja tyyppiseen (8 A / 250 V) sulakkeeseen.
	Johto tai kytkin on vahingoittunut.	Anna Black & Decker -huollon vaihtaa johto ja kytkin.

**Varaverkkopistoke (vain Iso-Britannia ja Irlanti)**

Jos joudut vaihtamaan verkkopistokkeen:

- ◆ Hävitä vanha pistoke ympäristöystävällisesti.
- ◆ Liitä ruskea johto uuden pistokkeen jännitteiseen napaan.
- ◆ Liitä sininen johto tähtipisteliittimeen.

**Varoitus!** Maadoitusliittimeen ei liitetä johtoa. Noudata pistokkeen mukana toimitettuja kiinnitysohjeita. Suositeltava sulake: 3 A.

**Ympäristönsuojelu**

Erillinen keräys. Tätä tuotetta ei saa hävittää normaalin kotitalousjätteen mukana.

Kun Black & Decker -laitteesi aikanaan täytyy vaihtaa tai se ei kelpaa enää käyttöön, älä hävitä laitetta kotitalousjätteen mukana. Toimita laite kierrätettäväksi.



Käytettyjen tuotteiden ja pakkausmateriaalien erilliskeruun avulla materiaalit voidaan kierrättää ja käyttää uudelleen. Kierrätysmateriaalien käyttö auttaa vähentämään ympäristön saastumista ja uusien raaka-aineiden tarvetta.

Paikallisissa säädöksissä voidaan määrätä, että kodin sähkötuotteiden keruu tapahtuu kaupunkien jätteidenkäsittelyasemilla tai laitteita myyvässä liikkeessä uuden tuotteen oston yhteydessä.

Kun laitteesi on käytetty loppuun, älä hävitä sitä tavallisten roskien mukana, vaan vie se paikkakuntasi kierrätyskeskukseen tai jätä se valtuutettuun Black & Deckerin huoltoliikkeeseen.

Tiedot valtuutetuista huoltoliikkeistä saa ottamalla yhteyttä Black & Decker Oy:hyn. Valtuutettujen Black & Decker -huoltoliikkeiden luettelo, yhteystiedot ja tietoja palveluistamme ovat Internetissä osoitteessa **www.2helpU.com**.

**Tekniset tiedot**

	ASI300
Syöttöjännite	V AC / V DC 230/12
Syöttövirta	A 0,5/8
Meluarvo	db 84
Paine (maksimi)	kPa / psi / bar 1 103 / 160 / 11,03
Paino	kg 1,93

**EU:n vaatimustenmukaisuusilmoitus**

ASI300 TYPE 2

Black & Decker vakuuttaa näiden tuotteiden olevan seuraavien standardien vaatimusten mukaisia:

Standardit ja määräykset  
EN60335, 2006/95/EY

Allekirjoittanut vastaa teknisten tietojen kokoamisesta ja tekee tämän ilmoituksen Black & Deckerin puolesta.

Kevin Hewitt  
Consumer Engineering -osaston johtaja  
Spennymoor, County Durham, DL16 6JG  
Iso-Britannia  
6.7.2009

**Takuu**

Black & Decker Oy takaa, ettei tuotteessa ollut materiaali- ja/tai valmistusvikaa silloin, kun se toimitettiin ostajalle. Takuu on lisäys kuluttajan laillisiin oikeuksiin eikä vaikuta niihin. Takuu on voimassa Euroopan unionin jäsenmaissa ja Euroopan vapaakauppa-alueella (EFTA).

Mikäli Black & Decker -tuotteessa ilmenee vika materiaali- ja/tai valmistusvirheen tai teknisten tietojen epätarkkuuden vuoksi 24 kk:n kuluessa ostopäivästä, Black & Decker vaihtaa vialliset osat, korjaa kulumiselle alttiit osat tai vaihtaa tuotteen. Takuu ei kata vikoja, jotka johtuvat laitteen

- ◆ kaupallisesta tai ammattimaisesta käytöstä tai vuokratyöstä
- ◆ virheellisestä käytöstä tai hoidosta
- ◆ vahingoittamisesta vieraalla esineellä tai aineella tai vahingoittumisesta onnettomuustapauksessa.
- ◆ Takuu ei ole voimassa, jos laitetta on korjannut joku muu kuin Black & Deckerin valtuuttama huoltoliike.

Edellytyksenä takuun saamiselle on, että ostaja jättää koneen ja ostokuitin jälleenmyyjälle tai valtuutetulle huoltoliikkeelle. Saat valtuutettujen huoltoliikkeiden yhteystiedot ottamalla yhteyden Black & Decker Oy:hyn tässä käyttöoppaassa ilmoitetussa osoitteessa. Valtuutettujen Black & Decker -huoltoliikkeiden yhteystiedot sekä lisätietoja palveluistamme ja takuuehdoista on Internetissä osoitteessa **www.2helpU.com**.

Voit rekisteröidä uuden Black & Decker -tuotteesi ja tarkastella tietoja uusista tuotteista ja erikoistarjousista verkkosivuiltamme **www.blackanddecker.fi**. Saat lisätietoja Black & Deckerin tavaramerkistä ja tuotevalikoimastamme osoitteesta **www.blackanddecker.fi**.

## Ενδεξιμένη χρήση

Ο αεροσυμπιεστής Black & Decker είναι σχεδιασμένος για χρήση μέσα και γύρω στο σπίτι, χρησιμοποιώντας το καλώδιο 230 Volt, ή το καλώδιο dc 12 Volt στα περισσότερα οχήματα χρησιμοποιώντας τον προσαρμογέα 12 Volt για το φούσκωμα ελαστικών αυτοκινήτων και ποδηλάτων, μπαλών, κλπ. Αυτό το προϊόν προορίζεται μόνο για οικιακή, καταναλωτική χρήση.

## Οδηγίες ασφαλείας

**Προειδοποίηση!** Κατά τη χρήση συσκευών που τροφοδοτούνται με ηλεκτρικό ρεύμα, θα πρέπει να λαμβάνονται πάντα οι βασικές προφυλάξεις ασφαλείας, συμπεριλαμβανομένων των παρακάτω, για τον περιορισμό του κινδύνου πυρκαγιάς, ηλεκτροπληξίας, σωματικής βλάβης και υλικών ζημιών.

- Πριν χρησιμοποιήσετε τη συσκευή διαβάστε προσεκτικά ολόκληρο το εγχειρίδιο.
- Η προοριζόμενη χρήση περιγράφεται σε αυτό το εγχειρίδιο. Τόσο η χρήση εξαρτημάτων ή προσαρτημάτων όσο και η πραγματοποίηση εργασιών με τη συσκευή που δε συνιστώνται σε αυτό το εγχειρίδιο οδηγούν εγκυμονεί κίνδυνο τραυματισμού.
- Φυλάξτε αυτό το εγχειρίδιο για μελλοντική αναφορά.

## Χρήση της συσκευής σας

Πάντοτε προσέχετε κατά τη χρήση της συσκευής.

- Η συσκευή αυτή δεν προορίζεται για χρήση από νεαρά ή αδύναμα άτομα χωρίς επίβλεψη.
- Η συσκευή δεν πρέπει να χρησιμοποιείται σαν παιχνίδι.
- Μην επιτρέψετε σε παιδιά ή ζώα να πλησιάζουν το χώρο εργασίας ή να αγγίζουν τη συσκευή ή το καλώδιο τροφοδοσίας.
- Όταν η συσκευή χρησιμοποιείται κοντά σε παιδιά είναι απαραίτητη η στενή επίτηρηση.
- Να χρησιμοποιείται μόνο σε χώρο χωρίς υγρασία. Φροντίστε να μην βραχεί η συσκευή.
- Μη βυθίζετε τη συσκευή μέσα σε νερό.
- Μην ανοίγετε το περίβλημα του σώματος της συσκευής. Τα εξαρτήματα στο εσωτερικό δεν επιδέχονται επισκευή από το χρήστη.
- Μη χρησιμοποιείτε τη συσκευή σε περιβάλλον όπου υπάρχει κίνδυνος έκρηξης, π.χ. παρουσία εύφλεκτων υγρών, αερίων ή σκόνης.
- Για να βγάλετε το φως από την πρίζα μην τραβάτε ποτέ από το καλώδιο. Έτσι θα αποφύγετε τον κίνδυνο φθοράς του φως και του καλωδίου.

## Ασφάλεια τρίτων

- Αυτή η συσκευή δεν προορίζεται για χρήση από άτομα (στα οποία περιλαμβάνονται και τα παιδιά) με μειωμένες φυσικές, αντιληπτικές ή διανοητικές ικανότητες ή άτομα χωρίς εμπειρία και γνώσεις, παρὰ μόνο εφόσον επιτηρούνται ή τους έχουν δοθεί οδηγίες σχετικά με τη χρήση της συσκευής από άτομο υπεύθυνο για την ασφάλειά τους.
- Τα παιδιά πρέπει να επιτηρούνται για να εξασφαλίζεται ότι δεν παίζουν με τη συσκευή.

## Μετά τη χρήση

- Όταν δε χρησιμοποιείται, η συσκευή πρέπει να φυλάσσεται σε στεγνό, με καλό αερισμό χώρο, μακριά από παιδιά.
- Τα παιδιά δεν πρέπει να έχουν πρόσβαση σε αποθηκευμένες συσκευές.
- Όταν η συσκευή αποθηκεύεται ή μεταφέρεται μέσα σε όχημα πρέπει να τοποθετείται στο χώρο αποσκευών ή να στερεώνεται ώστε να μη μετακινείται σε περίπτωση απότομων μεταβολών της ταχύτητας ή της κατεύθυνσης του οχήματος.

## Επιθεώρηση και επισκευές

- Πριν από τη χρήση, ελέγξτε τη συσκευή για τυχόν κατεστραμμένα ή ελαττωματικά εξαρτήματα. Ελέγξτε αν υπάρχουν σπασμένα εξαρτήματα, ζημιά σε διακόπτες και οποιεσδήποτε άλλες καταστάσεις που μπορούν να επηρεάσουν τη λειτουργία της.
- Μη χρησιμοποιείτε τη συσκευή εάν οποιοδήποτε εξάρτημα είναι κατεστραμμένο ή ελαττωματικό.
- Φροντίστε να γίνει η επισκευή ή η αντικατάσταση των τυχόν ελαττωματικών εξαρτημάτων από εξουσιοδοτημένο κέντρο επισκευών.
- Μην επιχειρήσετε ποτέ να αφαιρέσετε ή να αντικαταστήσετε οποιοδήποτε εξάρτημα, εκτός από αυτά που καθορίζονται σε αυτό το εγχειρίδιο.

## Συμπληρωματικές οδηγίες ασφαλείας

### για αεροσυμπιεστές

- Αποκλειστικά για χρήση στο σπίτι και το αυτοκίνητο. Χρησιμοποιήστε τον για να φουσκώσετε ελαστικά αυτοκινήτων και ποδηλάτων, μπάλες, φουσκωτά σκάφη, στρώματα θαλάσσης, στρώματα αέρος και για άλλες χρήσεις στο σπίτι και γύρω από αυτό.
- Δεν είναι ασφαλές να εισπνέετε τον πεπιεσμένο αέρα του αεροσυμπιεστή. Ποτέ μην εισπνέετε αέρα από τον αεροσυμπιεστή ή από αναπνευστική συσκευή συνδεδεμένη με τον αεροσυμπιεστή.
- Χρησιμοποιήστε τον για να φουσκώσετε αντικείμενα σύμφωνα με τις οδηγίες των κατασκευαστών τους. Μην υπερβαίνετε την ονομαστική πίεση καθώς μπορεί να προκαλέσει έκρηξη του αντικειμένου με αποτέλεσμα να τραυματιστείτε.

- ◆ Μην αφήνετε τον αεροσυμπιεστή να λειτουργεί χωρίς επίβλεψη. Μπορεί να προκαλέσει "σκάσιμο" των ελαστικών ή άλλων αντικειμένων.
- ◆ Καθώς η δόνηση που παράγεται από τον αεροσυμπιεστή μπορεί να τον κάνει να μετακινηθεί, μην τοποθετείτε τον αεροσυμπιεστή σε ράφια ή άλλες επιφάνειες που βρίσκονται ψηλά. Χρησιμοποιήστε τον μόνο σε επίπεδο έδαφος ή σε έναν πάγκο.
- ◆ Μην επιχειρήσετε τροποποίηση ή επισκευή. Ποτέ μην τρυπάτε, συγκολλάτε ή τροποποιείτε τον αεροσυμπιεστή ή τα εξαρτήματά του.
- ◆ Μη λειτουργείτε τον αεροσυμπιεστή κατά τη διάρκεια λειτουργίας του κινητήρα.
- ◆ Χρησιμοποιήστε τον αεροσυμπιεστή με τα παρεχόμενα αξεσουάρ ή με αυτά που φέρουν ονομαστική πίεση 11,03 bar/160 psi ή υψηλότερη. Η χρήση αξεσουάρ που δεν ενδείκνυνται για αυτή τη συσκευή μπορεί να ενέχει κινδύνους.
- ◆ Μην παίζετε με τη συσκευή. Ο αέρας υψηλής πίεσης είναι επικίνδυνος. Μην κατευθύνετε τη ροή του αέρα προς εσάς ή άλλους.
- ◆ Ο αεροσυμπιεστής μπορεί να θερμανθεί κατά τη χρήση. Αφήστε τον αεροσυμπιεστή να κρυώσει για 30 λεπτά, πριν τον αποθηκεύσετε.
- ◆ Μη μεταφέρετε ποτέ τον αεροσυμπιεστή από το σωλήνα.
- ◆ Μην κατευθύνετε το στόμιο ή τον ελαστικό σωλήνα σε ζώα ή άλλα άτομα.
- ◆ Αποθηκεύετε τον αεροσυμπιεστή μακριά από μικρά παιδιά.
- ◆ Ο μετρητής έχει μόνο ενδεικτικό ρόλο. Η πίεση των ελαστικών πρέπει να ελέγχεται τακτικά με πιστοποιημένο μετρητή.
- ◆ Πριν από τη χρήση, ελέγξτε προσεκτικά το καλώδιο τροφοδοσίας για σημάδια ζημιάς, παλαιώσης ή φθοράς.
- ◆ Μη χρησιμοποιείτε τη συσκευή εάν το καλώδιο τροφοδοσίας ή το φως έχει πάθει ζημιά ή παρουσιάζει ελάττωμα (όπου εφαρμόζεται).

### Ασφαλής χρήση του ηλεκτρικού ρεύματος



Αυτή η συσκευή/εργαλείο φέρει διπλή μόνωση, επομένως δεν απαιτείται σύρμα γείωσης. Ελέγχετε πάντοτε αν η τάση τροφοδοσίας αντιστοιχεί σε αυτήν που αναγράφεται στην πινακίδα στοιχείων.

Η ασφαλής χρήση του ηλεκτρικού ρεύματος μπορεί να βελτιωθεί ακόμα περισσότερο αν χρησιμοποιηθεί Διάταξη Προστασίας Ρεύματος Διαρροής (RCD) υψηλής ευαισθησίας (30 mA / 30 mS).

Αν το καλώδιο ρεύματος έχει υποστεί φθορά, πρέπει να αντικατασταθεί από τον κατασκευαστή ή από ένα εξουσιοδοτημένο κέντρο της Black & Decker, ώστε να μην αποτελέσει κίνδυνο.

### Τα παρακάτω προειδοποιητικά σύμβολα υπάρχουν πάνω στη συσκευή/εργαλείο:



Διαβάστε το εγχειρίδιο οδηγιών πριν από τη χρήση του αεροσυμπιεστή.



Μην εκθέτετε τη συσκευή στη βροχή ή σε υψηλή υγρασία.



Πριν πραγματοποιήσετε οποιαδήποτε συντήρηση ή καθαρισμό στη συσκευή, αποσυνδέστε το καλώδιο τροφοδοσίας.



Μην αφήνετε τον αεροσυμπιεστή χωρίς επίβλεψη.

### Χαρακτηριστικά

1. Κάλυμμα θήκης αποθήκευσης
2. Μετρητής πίεσης
3. Σωλήνας αέρα με προσαρμογέα βαλβίδας γενικής χρήσης
4. Καλώδιο dc 12 Volt και προσαρμογέα
5. Καλώδιο ac 230 Volt και φως

### Χρήση

#### Αποθήκευση σωλήνα αέρα και καλωδίων

Ο σωλήνας αέρα (3) και το καλώδιο ac (5) αποθηκεύονται στη θήκη αποθήκευσης (1) στο πάνω μέρος του αεροσυμπιεστή (εικ. Α). Οι σπές στις δύο πλευρές του καλύμματος (1) επιτρέπουν την έξοδο του ελαστικού σωλήνα και του καλωδίου από τη θήκη αποθήκευσης έτσι ώστε το κάλυμμα της θήκης να μπορεί να κλείσει όταν ο αεροσυμπιεστής είναι σε λειτουργία. Το καλώδιο dc (4) αποθηκεύεται στη θήκη αποθήκευσης (9) (εικ. D) στο πίσω μέρος του αεροσυμπιεστή.

#### Τοποθέτηση των αξεσουάρ (εικ. Β & Ε)

Ο αεροσυμπιεστής συνοδεύεται από τα τυπικά κωνικά στόμια και από ένα βελονωτό στόμιο αέρα (6), τα οποία βρίσκονται στη βάση της συσκευής (εικ. Ε).

- ◆ Για χρήση του προσαρμογέα βαλβίδας γενικής χρήσης, βεβαιωθείτε ότι ο μοχλός είναι στην επάνω θέση.
- ◆ Τοποθετήστε τον προσαρμογέα βαλβίδας πάνω από το στέλεχος του βελονωτού ή του κωνικού στομίου αέρα (εικ. Β).
- ◆ Πιέστε προς τα κάτω το μοχλό του προσαρμογέα βαλβίδας για να ασφαλίσει στη θέση του.
- ◆ Τοποθετήστε το βελονωτό ή το κωνικό στόμιο αέρα μέσα στο αντικείμενο που θέλετε να φυσώσετε.



**Σημείωση:** Να βεβαιώνετε πάντα ότι ο μοχλός είναι στην επάνω θέση όταν δεν χρησιμοποιείται.

Χρησιμοποιείτε τον αεροσυμπιεστή μόνο με τον προσαρμογέα βαλβίδας γενικής χρήσης ή με τα στόμια που παρέχονται.

**Σημείωση:** Πριν ενεργοποιήσετε τον αεροσυμπιεστή, βεβαιωθείτε ότι ο προσαρμογέας βαλβίδας γενικής χρήσης είναι ασφαλισμένος στη θέση του.

Πολλά φουσκωτά αντικείμενα διαθέτουν ένα εσωτερικό περύγιο που αποτρέπει την απώλεια αέρα κατά το φούσκωμα. Αν δεν μετακινήσετε το περύγιο με το στόμιο αέρα, το φουσκωτό δε θα φουσκώσει. Σπρώξτε δυνατά το στόμιο μέσα στη βαλβίδα για να βεβαιωθείτε ότι εκτοπίζετε και το περύγιο.

Αποθηκεύστε το βελονωτό στόμιο αέρα στο εσωτερικό ενός από τα κωνικά στόμια και "κουμπώστε" τα κωνικά στόμια στις σπές αποθήκευσης που υπάρχουν στο κάτω μέρος του αεροσυμπιεστή (εικ. Ε).

**Προειδοποίηση!** Η υπερβολική πίεση αέρα μπορεί να προκαλέσει κίνδυνο σκασίματος ή προσωπικού τραυματισμού. Ελέγξτε τη μέγιστη ονομαστική πίεση που ορίζει ο κατασκευαστής για τα αντικείμενα που φουσκώνετε.

**Σημείωση:** Εάν η ονομαστική πίεση για το αντικείμενο που φουσκώνετε είναι πάνω από 100 psi, σημειώστε ότι ο μέγιστος χρόνος λειτουργίας είναι 10 λεπτά και αφήστε να περάσουν 20 λεπτά πριν επαναλάβετε τη χρήση.

### Μετρητής πίεσης (εικ. C)

Ο αεροσυμπιεστής είναι εξοπλισμένος με έναν ενσωματωμένο μετρητή πίεσης (2) ο οποίος απενεργοποιείται μόλις επιτευχθεί μια προκαθορισμένη τιμή πίεσης αέρα. Ο μετρητής πίεσης, ο οποίος είναι τοποθετημένος στο πάνω μέρος του αεροσυμπιεστή, παρέχει ενδείξεις πίεσης σε psi, bar ή kPa. Στην περίπτωση που φουσκώνετε ελαστικά ποδηλάτων, συνιστάται να επαληθεύετε την ένδειξη πίεσης συγκρίνοντάς τη με αυτή από έναν ξεχωριστό μετρητή πίεσης ελαστικών.

### Ενεργοποίηση της συσκευής (εικ. C και D)

**Προειδοποίηση!** Μην τροφοδοτείτε τη συσκευή και από τις δύο πηγές τροφοδοσίας ταυτόχρονα.

### Λειτουργία με το καλώδιο 230 Vac

Πάντοτε να εκτείνετε πλήρως το καλώδιο 230 Vac πριν από κάθε χρήση.

- ◆ Συνδέστε το καλώδιο 230 Volt (5) σε κατάλληλη πρίζα του δικτύου.

### Λειτουργία με το καλώδιο 12 Vdc

**Προειδοποίηση!** Μη θέσετε σε λειτουργία τον αεροσυμπιεστή κατά τη διάρκεια της λειτουργίας του κινητήρα του αυτοκινήτου.

**Σημείωση:** Βεβαιωθείτε ότι η πρίζα 12 Volt έχει ρεύμα. Σε ορισμένα οχήματα η υποδοχή αναπτήρα έχει ρεύμα μόνο όταν το κλειδί βρίσκεται στη βοηθητική θέση.

- ◆ Πάντοτε να εκτείνετε πλήρως το καλώδιο 12 Vdc πριν από κάθε χρήση.
- ◆ Συνδέστε το καλώδιο 12 Volt στην πρίζα (8) στην υποδοχή αποθήκευσης και συνδέστε τον προσαρμογέα 12 Volt (4) στην πρίζα 12 Volt του αυτοκινήτου σας.

### Ρύθμιση της απαιτούμενης πίεσης (εικ. C)

**Προειδοποίηση!** Μην αφήνετε τον αεροσυμπιεστή να λειτουργεί χωρίς επίβλεψη. Μπορεί να προκαλέσει "σκασίμο" των ελαστικών ή άλλων αντικειμένων.

**Σημείωση:** Πρέπει να ρυθμίσετε τη λειτουργία αυτόματης απενεργοποίησης πριν τη λειτουργία της συσκευής.

Όταν συνδέσετε σε πηγή τροφοδοσίας είτε ac είτε dc θα φωτιστεί η ψηφιακή οθόνη.

- ◆ Πιέστε και κρατήστε πιεσμένα τα κουμπιά - και + ταυτόχρονα για επιλογή των απαιτούμενων μονάδων, psi, bar ή kPa.

**Προειδοποίηση!** Η υπερβολική πίεση αέρα μπορεί να προκαλέσει κίνδυνο σκασίματος ή προσωπικού τραυματισμού. Ελέγξτε τη μέγιστη ονομαστική πίεση που ορίζει ο κατασκευαστής για αντικείμενα που χρειάζονται φούσκωμα.

- ◆ Πιέστε τα κουμπιά - ή + για να θέσετε την πίεση που απαιτείται.
- ◆ Όταν ρυθμιστεί, η οθόνη LCD θα αναβοσβήσει για 3 δευτερόλεπτα και η ψηφιακή οθόνη θα εμφανίσει μηδέν.
- ◆ Συνδέστε τον προσαρμογέα βαλβίδας γενικής χρήσης και τα αξεσουάρ εάν χρειάζεται, στο προς φούσκωμα αντικείμενο, εξασφαλίζοντας ότι ο μοχλός του προσαρμογέα βαλβίδας είναι στην κάτω θέση για να ασφαλίσει στη θέση του.
- ◆ Για να ενεργοποιήσετε τον αεροσυμπιεστή, πατήστε το διακόπτη on off (7) που βρίσκεται πάνω στον ψηφιακό μετρητή.

**Σημείωση:** Εάν αποσυνδεθεί η πηγή τροφοδοσίας, όλες οι ρυθμίσεις θα χαθούν και θα πρέπει να επανεισαχθούν ακολουθώντας τις οδηγίες υπό την επικεφαλίδα "Ρύθμιση της απαιτούμενης πίεσης".

- ◆ Όταν το αντικείμενο που φουσκώνετε επιτύχει την προκαθορισμένη τιμή η συσκευή θα απενεργοποιηθεί αυτόματα.

**Σημείωση:** Για να απενεργοποιήσετε τον αεροσυμπιεστή οποιαδήποτε στιγμή, πατήστε το διακόπτη on/off (7) που βρίσκεται πάνω στον ψηφιακό μετρητή.

- ♦ Αφαιρέστε τον προσαρμογέα βαλβίδας ή το αξεσουάρ από το φουσκωμένο αντικείμενο και αποσυνδέστε τη συσκευή από την πηγή τροφοδοσίας.

#### Χρήση του αεροσυμπιεστή ως μετρητή πίεσης

- ♦ Βεβαιωθείτε ότι η συσκευή τροφοδοτείται όπως περιγράφεται στην ενότητα 'Ενεργοποίηση της συσκευής'.
- ♦ Συνδέστε τον προσαρμογέα βαλβίδας γενικής χρήσης και τα αξεσουάρ εάν χρειάζεται στο προς φούσκωμα αντικείμενο, εξασφαλίζοντας ότι ο μοχλός του προσαρμογέα βαλβίδας είναι στην κάτω θέση για να ασφαλίσει στη θέση του.
- ♦ Η οθόνη θα εμφανίσει τώρα την πραγματική τιμή πίεσης στο αντικείμενο.

#### Συντήρηση

Αυτή η συσκευή της Black & Decker έχει σχεδιαστεί έτσι ώστε να λειτουργεί για μεγάλο χρονικό διάστημα με την ελάχιστη δυνατή συντήρηση. Η αδιάλειπτη και ικανοποιητική λειτουργία της συσκευής εξαρτάται από τη φροντίδα και τον τακτικό καθαρισμό της.

**Προειδοποίηση!** Πριν πραγματοποιήσετε οποιαδήποτε συντήρηση ή καθαρισμό πάνω στη συσκευή, βγάλτε τη συσκευή από την πρίζα.

- ♦ Από καιρό σε καιρό σκουπίστε τη συσκευή με ένα υγρό πανί. Μη χρησιμοποιείτε λειαντικά ή υγρά καθαρισμού που περιέχουν διαλυτικά. Μη βυθίζετε τη συσκευή μέσα σε νερό.

#### Αντιμέτωπιση προβλημάτων

Πρόβλημα	Πιθανή αιτία	Πιθανή λύση
Η συσκευή δεν ενεργοποιείται.	Το καλώδιο δεν είναι συνδεδεμένο καλά στην πρίζα.	Συνδέστε τη συσκευή σε μια πρίζα που λειτουργεί.
	Η τιμή αυτόματης απενεργοποίησης δεν έχει ρυθμιστεί.	Ρυθμίστε τη λειτουργία αυτόματης απενεργοποίησης.
	Η προρυθμισμένη τιμή μπορεί να είναι χαμηλότερη από την πραγματική πίεση.	Προσαρμόστε την προρυθμισμένη τιμή σε μια υψηλότερη τιμή.

Πρόβλημα	Πιθανή αιτία	Πιθανή λύση
	Η ασφάλεια του προσαρμογέα 12 Volt είναι καμένη.	Αντικαταστήστε την ασφάλεια με μια του ίδιου μεγέθους και τύπου (8A/250V).
	Το καλώδιο ή ο διακόπτης έχει χαλάσει.	Απευθυνθείτε σε ένα Κέντρο Σέρβις της Black & Decker ή σε ένα Εξουσιοδοτημένο Κέντρο Σέρβις για αντικατάσταση του καλωδίου ή του διακόπτη.

#### Αντικατάσταση του ρευματολήπτη (H.B. & Ιρλανδία μόνο)

Αν χρειαστεί να εγκαταστήσετε ένα καινούριο ρευματολήπτη (φως):

- ♦ Απορρίψτε με ασφαλή τρόπο το παλιό φως.
- ♦ Συνδέστε τον καφέ αγωγό στον ηλεκτροφόρο ακροδέκτη του νέου ρευματολήπτη.
- ♦ Συνδέστε τον μπλε αγωγό στον ουδέτερο ακροδέκτη.

**Προειδοποίηση!** Δεν χρειάζεται καμία σύνδεση στον ακροδέκτη γείωσης. Ακολουθήστε τις οδηγίες τοποθέτησης που παρέχονται με τους καλής ποιότητας ρευματολήπτες (φως). Προτεινόμενη ασφάλεια τήξης: 3 A.

#### Προστασία του περιβάλλοντος



Ξεχωριστή περισυλλογή. Αυτό το προϊόν δεν πρέπει να απορρίπτεται μαζί με τα κοινά οικιακά απορρίμματα.

Εάν κάποια μέρα διαπιστώσετε ότι το προϊόν σας Black & Decker χρειάζεται αντικατάσταση ή ότι δεν το χρειάζεστε άλλο, μην το απορρίψετε μαζί με τα κοινά οικιακά απορρίμματα. Διαθέστε αυτό το προϊόν για ξεχωριστή αποκομιδή.



Η ξεχωριστή περισυλλογή των μεταχειρισμένων προϊόντων και των υλικών συσκευασίας επιτρέπει την ανακύκλωση και επαναχρησιμοποίηση των υλικών. Με την επαναχρησιμοποίηση των ανακυκλωμένων υλικών αποτρέπεται η μόλυνση του περιβάλλοντος και μειώνεται η ζήτηση πρώτων υλών.

Οι τοπικοί κανονισμοί ενδέχεται να προβλέπουν την ξεχωριστή περισυλλογή των ηλεκτρικών συσκευών από τα νοικοκυριά, σε δημοτικές εγκαταστάσεις απορριμμάτων ή από τον έμπορο όταν αγοράζετε ένα καινούργιο προϊόν.

Η Black & Decker δίνει τη δυνατότητα ανακύκλωσης των προϊόντων της που έχουν συμπληρώσει τη διάρκεια ζωής τους. Για να χρησιμοποιήσετε αυτήν την υπηρεσία, επιστρέψτε το προϊόν σας σε οποιοδήποτε εξουσιοδοτημένο κέντρο επισκευών, όπου θα το παραλάβουν εκ μέρους μας. Ενημερωθείτε για το πλησιέστερο εξουσιοδοτημένο κέντρο επισκευών της περιοχής σας επικοινωνώντας με το τοπικό γραφείο της Black & Decker στη διεύθυνση που υποδεικνύεται σε αυτό το εγχειρίδιο. Επίσης, μια λίστα με τα εξουσιοδοτημένα κέντρα επισκευών της Black & Decker και πλήρεις λεπτομέρειες για τις υπηρεσίες που παρέχονται μετά την πώληση, υπάρχει στο Διαδίκτυο, στη διεύθυνση: [www.2helpU.com](http://www.2helpU.com).

### Τεχνικά χαρακτηριστικά


	ASI300
Τάση εισόδου	Vac/Vdc 230/12
Ρεύμα εισόδου	A 0,5/8
Τιμή θορύβου	db 84
Πίεση (μέγ.)	kPa / psi / bar 1103 / 160 / 11,03
Βάρος	kg 1,93

### Δήλωση συμμόρφωσης με την Ευρωπαϊκή Κοινότητα

ASI300 ΤΥΠΟΣ 2

Η Black & Decker δηλώνει ότι τα προϊόντα αυτά συμμορφώνονται με:  
Πρότυπα & Νομοθεσία.  
EN60335, 2006/95/EK

Ο κάτωθι υπογεγραμμένος είναι υπεύθυνος για την κατάρτιση του τεχνικού φακέλου και δηλώνει τα παρόντα εκ μέρους της Black & Decker



Kevin Hewitt  
Διευθυντής Εξυπηρέτησης Πελατών  
Spennymoor, County Durham, DL16 6JG  
Ηνωμένο Βασίλειο  
06-07-2009

Σε περίπτωση που κάποιο προϊόν της Black & Decker παρουσιάσει βλάβη εξαιτίας ελαττωματικών υλικών, ποιότητας εργασίας ή έλλειψης συμφωνίας με τις προδιαγραφές εντός 24 μηνών από την ημερομηνία αγοράς, η Black & Decker εγγυάται την αντικατάσταση των ελαττωματικών τμημάτων, την επισκευή προϊόντων που έχουν υποστεί εύλογη φθορά λόγω χρήσης ή την αντικατάσταση των προϊόντων προκειμένου να εξασφαλίσει την ελάχιστη ενόχληση στους πελάτες της, εκτός εάν:

- ♦ Το προϊόν έχει χρησιμοποιηθεί σε εργασιακό, επαγγελματικό περιβάλλον ή αν έχει ενοικιαστεί.
- ♦ Έχει γίνει εσφαλμένη χρήση του προϊόντος ή έχει παραμεληθεί.
- ♦ Το προϊόν έχει υποστεί βλάβη από άλλα αντικείμενα, από ουσίες ή λόγω ατυχήματος.
- ♦ Έχει γίνει προσπάθεια επισκευής από άτομα που δεν έχουν σχέση με τα εξουσιοδοτημένα κέντρα επισκευών ή με το προσωπικό σέρβις της Black & Decker.

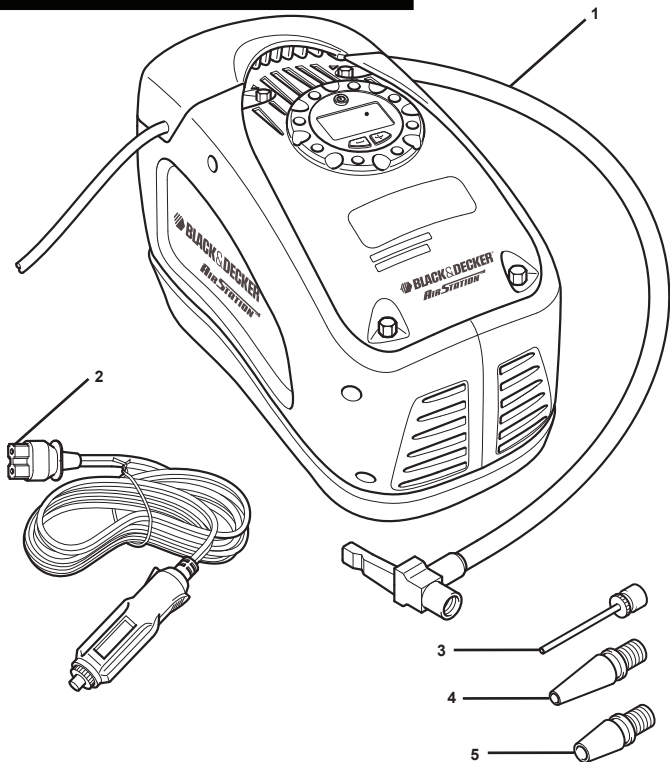
Για να ισχύσει η εγγύηση, πρέπει να υποβάλετε απόδειξη αγοράς στον πωλητή ή το εξουσιοδοτημένο κέντρο επισκευών. Ενημερωθείτε για το πλησιέστερο εξουσιοδοτημένο κέντρο επισκευών της περιοχής σας επικοινωνώντας με το τοπικό γραφείο της Black & Decker στη διεύθυνση που υποδεικνύεται σε αυτό το εγχειρίδιο. Επίσης, μια λίστα με τα εξουσιοδοτημένα κέντρα επισκευών της Black & Decker και πλήρεις λεπτομέρειες για τις υπηρεσίες που παρέχονται μετά την πώληση, υπάρχει στο Διαδίκτυο, στη διεύθυνση: [www.2helpU.com](http://www.2helpU.com).

Παρακαλούμε επισκεφθείτε την ιστοσελίδα μας [www.blackanddecker.eu](http://www.blackanddecker.eu) για να καταχωρήσετε το νέο σας προϊόν Black & Decker και για να ενημερωέστε για τα νέα προϊόντα και τις ειδικές προσφορές. Περισσότερες πληροφορίες σχετικά με τη μάρκα Black & Decker και τη σειρά των προϊόντων μας θα βρείτε στη διεύθυνση [www.blackanddecker.eu](http://www.blackanddecker.eu).

### Εγγύηση

Η Black & Decker είναι σίγουρη για την ποιότητα των προϊόντων της και παρέχει σημαντική εγγύηση. Η παρούσα γραπτή εγγύηση αποτελεί πρόσθετο δικαίωμά σας και δε ζημιώνει τα νόμιμα δικαιώματά σας. Η εγγύηση ισχύει εντός της επικράτειας των Κρατών Μελών της Ευρωπαϊκής Ένωσης και της Ευρωπαϊκής Ζώνης Ελευθέρων Συναλλαγών.

Partial support - Only parts shown available  
Nur die aufgefuehrten teile sind lieferbar  
Reparation partielle - Seules les pieces indiquees sont disponibles  
Supporto parziale - Sono disponibili soltanto le parti evidenziate  
Solo estan disponibles las peizas listadas  
So se encontram disponiveis as pecas listadas  
Gedeeltelijke ondersteuning - alleen de getoonde onderdelen  
zijn beschikbaar





<b>België/Belgique</b>	Black & Decker (Belgium) N.V. Nieuwlandlaan 321 3200 Aarschot	Tel. Fax	016 68 91 00 016 68 91 11
<b>Danmark</b>	Black & Decker Sluseholmen 2-4, 2450 København SV Internet: <a href="http://www.blackanddecker.dk">www.blackanddecker.dk</a>	Tel. Fax	70 20 15 10 70 22 49 10
<b>Deutschland</b>	Black & Decker GmbH Black & Decker Str. 40, D - 65510 Idstein	Tel. Fax	06126/21 - 0 06126/21 29 80
<b>Ελλάδα</b>	Black & Decker (Ελλάς) A.E. Στράβωνος 7 & Λεωφ. Βουλιαγμένης 159 166 74 Γλυφάδα - Αθήνα	Τηλ. Φαξ www.blackanddecker.eu	210 8981616 210 8983285
<b>España</b>	Black & Decker Ibérica, S.C.A. Parc de Negocis "Mas Blau" Edificio Muntadas, c/Bergadá, 1, Of. A6 08820 El Prat de Llobregat (Barcelona)	Tel. Fax	934 797 400 934 797 419
<b>France</b>	Black & Decker (France) S.A.S. B.P. 21, 69571 Dardilly Cédex	Tel. Fax	04 72 20 39 20 04 72 20 39 00
<b>Helvetia</b>	ROFO AG Gewerbezone Seeblick 3213 Kleinbösingen	Tel. Fax	026-6749391 026-6749394
<b>Italia</b>	Black & Decker Italia SpA Viale Elvezia 2 20052 Monza (MI)	Tel. Fax Numero verde	039-23871 039-2387592/2387594 800-213935
<b>Nederland</b>	Black & Decker Benelux Joulehof 12, 4622 RG Bergen op Zoom	Tel. Fax	0164 - 283000 0164 - 283100
<b>Norge</b>	Black & Decker (Norge) A/S Postboks 4814, Nydalen, 0422 Oslo Internet: <a href="http://www.blackanddecker.no">www.blackanddecker.no</a>	Tlf. Fax	22 90 99 00 22 90 99 01
<b>Österreich</b>	Black & Decker Vertriebsges.m.b.H Oberlaaerstraße 246, A1100 Wien	Tel. Fax	01 66116-0 01 66116-14
<b>Portugal</b>	Black & Decker Rua Egas Moniz 173 S. João do Estoril 2766-651 Estoril	Tel. Fax	214667500 214667580
<b>Suomi</b>	Black & Decker Oy Keilasatama 3, 02150 Espoo Black & Decker Oy, Kägelhamnen 3, 02150 Esbo	Puh. Faksi Tel. Fax	010 400 430 (09) 2510 7100 010 400 430 (09) 2510 7100
<b>Sverige</b>	Black & Decker AB Fabriksg. 7, 412 50 Göteborg	Tel. Fax	031-68 60 60 031-68 60 80
<b>United Kingdom</b>	Black & Decker 210 Bath Road Slough, Berkshire SL1 3YD	Tel. Fax Helpline	01753 511234 01753 551155 01753 574277
<b>Middle East &amp; Africa</b>	Black & Decker (Overseas) A.G. PB 5420, Dubai, United Arab Emirates	Tel. Fax	+971 4 2826464 +971 4 2826466

ENGLISH

**Do not forget to register your product!**  
**[www.blackanddecker.co.uk/productregistration](http://www.blackanddecker.co.uk/productregistration)**

Register your product online at **[www.blackanddecker.co.uk/productregistration](http://www.blackanddecker.co.uk/productregistration)** or send your name, surname and product code to Black & Decker in your country.

DEUTSCH

**Vergessen Sie nicht, Ihr Produkt registrieren zu lassen!**  
**[www.blackanddecker.de/productregistration](http://www.blackanddecker.de/productregistration)**

Lassen Sie Ihr Produkt unter **[www.blackanddecker.de/productregistration](http://www.blackanddecker.de/productregistration)** online registrieren oder schicken Sie Ihren Nachnamen, Vornamen und den Produktcode an Black & Decker in Ihrem Land.

FRANÇAIS

**N'oubliez pas d'enregistrer votre produit !**  
**[www.blackanddecker.fr/productregistration](http://www.blackanddecker.fr/productregistration)**

Enregistrez votre produit en ligne sur **[www.blackanddecker.fr/productregistration](http://www.blackanddecker.fr/productregistration)** ou envoyez vos nom, prénom et code produit à Black & Decker dans votre pays.

ITALIANO

**Non dimenticate di registrare il prodotto!**  
**[www.blackanddecker.it/productregistration](http://www.blackanddecker.it/productregistration)**

Registrate il prodotto online su **[www.blackanddecker.it/productregistration](http://www.blackanddecker.it/productregistration)** o inviate nome, cognome e codice del prodotto al centro Black & Decker del vostro paese.

NEDERLANDS

**Vergeet niet uw product te registreren!**  
**[www.blackanddecker.nl/productregistration](http://www.blackanddecker.nl/productregistration)**

U kunt uw product online registreren op **[www.blackanddecker.nl/productregistration](http://www.blackanddecker.nl/productregistration)** of u kunt uw voornaam, achternaam en productcode opsturen naar Black & Decker in uw land.

ESPAÑOL

**¡No olvide registrar su producto!**  
**[www.blackanddecker.es/productregistration](http://www.blackanddecker.es/productregistration)**

Registre su producto on-line en **[www.blackanddecker.es/productregistration](http://www.blackanddecker.es/productregistration)** o envíe su nombre, apellidos y código de producto a Black & Decker en su país.

PORTUGUÊS

**Não se esqueça de registrar o seu produto!**  
**[www.blackanddecker.pt/productregistration](http://www.blackanddecker.pt/productregistration)**

Registe o seu produto online em [www.blackanddecker.pt/productregistration](http://www.blackanddecker.pt/productregistration) ou envie o seu nome, apelido e código do produto para a Black & Decker no seu país.

SVENSKA

**Glöm inte att registrera produkten!**  
**[www.blackanddecker.se/productregistration](http://www.blackanddecker.se/productregistration)**

Registrera produkten online på [www.blackanddecker.se/productregistration](http://www.blackanddecker.se/productregistration) eller skicka namn och produktkod till Black & Decker i landet du bor i.

NORSK

**Ikke glem å registrere produktet ditt!**  
**[www.blackanddecker.no/productregistration](http://www.blackanddecker.no/productregistration)**

Registrer produktet ditt online på [www.blackanddecker.no/productregistration](http://www.blackanddecker.no/productregistration), eller send ditt navn, etternavn og produktkode til Black & Decker i ditt eget land.

DANSK

**Glem ikke at registrere dit produkt!**  
**[www.blackanddecker.dk/productregistration](http://www.blackanddecker.dk/productregistration)**

Registrer dit produkt på internettet på: [www.blackanddecker.dk/productregistration](http://www.blackanddecker.dk/productregistration) eller send dit navn, efternavn og produktkode til Black & Decker i dit eget land.

SUOMI

**Muistathan rekisteröidä tuotteesi!**  
**[www.blackanddecker.fi/productregistration](http://www.blackanddecker.fi/productregistration)**

Rekisteröi tuotteesi verkossa osoitteessa [www.blackanddecker.fi/productregistration](http://www.blackanddecker.fi/productregistration) tai lähetä etunimesi, sukunimesi ja tuotekoodi oman maasi Black & Decker -edustajalle.

ΕΛΛΗΝΙΚΑ

**Μην ξεχάσετε να καταχωρίσετε το προϊόν σας!**  
**[www.blackanddecker.gr/productregistration](http://www.blackanddecker.gr/productregistration)**

Καταχωρίστε το προϊόν σας σε σύνδεση στη σελίδα [www.blackanddecker.gr/productregistration](http://www.blackanddecker.gr/productregistration) ή στείλτε το όνομα, επίθετο σας και τον κωδικό πριονωτός στη Black & Decker στη χώρα σας.