

CLEANING PLASTIC PARTS

Use only mild soap and a rag dampened with hot water to clean the plastic parts. Avoid all other types of detergents, cleaners, or solvents, which might contain chemicals that could seriously damage the plastic.

Black & Decker's full two year home use warranty states that, in case of a defect, you may return the tool to the place of purchase for a free replacement (if it is a participating retailer) or you may take it to a Black & Decker Service Center.

HOME USE WARRANTY (A FULL TWO YEAR WARRANTY)

Black & Decker (U.S.) Inc. warrants this product for two years against any defects that are due to faulty material or workmanship. Please return the complete unit, transportation prepaid, to the seller (if a participating retailer) for free replacement (proof of purchase may be required). The unit may also be returned to a Black & Decker Service Center or Authorized Service Station, listed under "Tools, Electric," in the yellow pages for free replacement or repair at our option. This warranty does not apply to accessories. This warranty gives you specific legal rights and you may have other rights which vary from state to state. Should you have any questions, contact your nearest Black & Decker Service Center Manager.

Like most Black & Decker tools, this tool is listed by Underwriters' Laboratories to ensure that it meets stringent safety requirements.

This symbol on the name plate means the product is listed by Underwriters' Laboratories Inc.



See 'Tools-Electric'
—Yellow Pages—
for Service & Sales

BLACK & DECKER (U.S.) INC.
U.S. Power Tools Group • P.O. Box 798
Hunt Valley, MD 21030-0798 U.S.A.

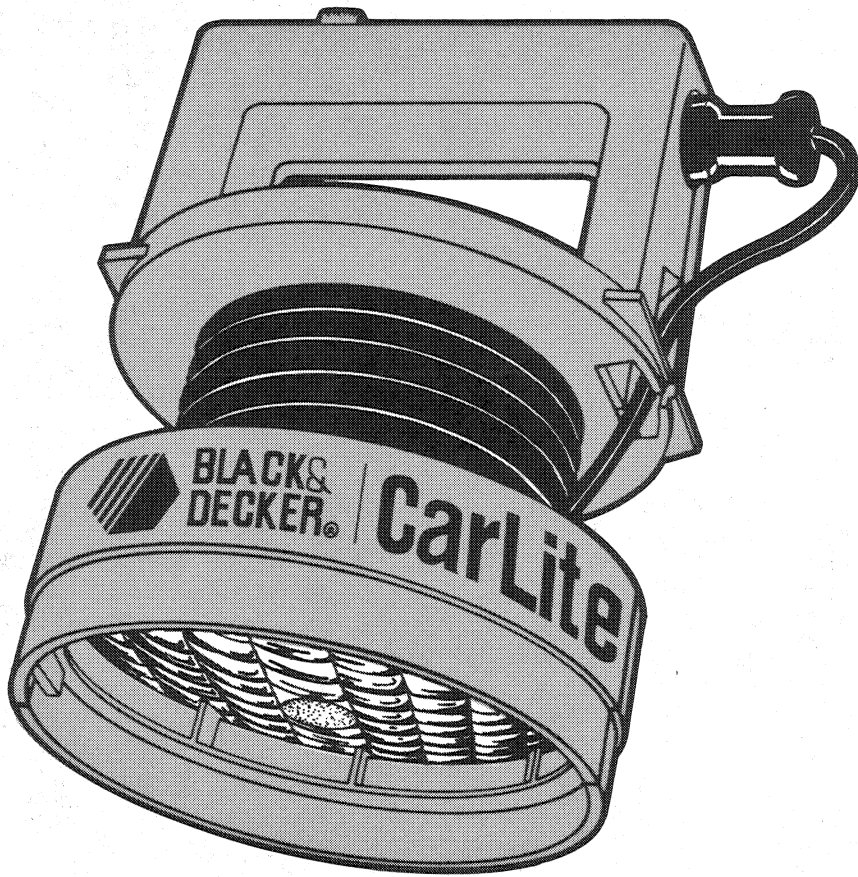
Form No. 724751-05

(DEC87-CO1)

©1983 Printed in U.S.A.
1985
1987

INSTRUCTION MANUAL

BLACK & DECKER®



- BUILT BLACK & DECKER TOUGH TO PROVIDE YEARS OF SERVICE
- PLUGS INTO YOUR CAR'S CIGARETTE LIGHTER SOCKET
- 16 FT. CORD FOR INCREASED VERSATILITY
- OVERLOAD PROTECTED
- CAN BE USED AS LIGHT SUPPLY OR HAZARD FLASHER
- SLIP-ON AMBER WARNING LENS

IMPORTANT!

To assure product SAFETY and RELIABILITY, repairs, maintenance and adjustments should be performed by BLACK & DECKER Service Centers or other qualified service organizations, always using BLACK & DECKER replacement parts.

9512
12 VOLT
CarLite

Please take the time to carefully read your Owner's Manual before using your new CarLite. Don't forget to send in your guarantee card: THANKS FOR BUYING BLACK & DECKER!

SAFETY RULES FOR YOUR 12 VOLT CarLite

1. **BULB GETS VERY HOT.** Do not touch bulb or place face down on any surface when lit.
2. **ALWAYS UNPLUG WHEN NOT IN USE OR WHEN SERVICING LAMP BULB REPLACEMENT.)** Use only No. 921 18 watt bulb. The use of any other bulb may create a hazard. (SEE BULB REPLACEMENT)
3. **DO NOT USE AMBER LENS WHILE DRIVING VEHICLE.** Use amber lens to signify immobile disabled vehicle only.
4. **STORE IDLE LIGHT.** When not in use, light should be stored in a dry, locked area away from children.
5. **DON'T ABUSE CORD.** Never carry light by cord or yank cord to disconnect. Keep cord from heat, oil or sharp edges. Be careful to avoid pinching the cord in the car window or door.
6. **DO NOT REMOVE OR BY-PASS THE OVERLOAD PROTECTOR IN THE PLUG.**

OPERATION:

You can use your CarLite in and around most vehicles with standard cigarette lighter sockets. The light need not be operated with the car's engine running, but prolonged usage with the engine off may eventually drain the battery.

CORD, PLUG AND OVERLOAD PROTECTOR:

For storage, wind the cord around the light in the channel provided. Hook the end of the cord through the cord holding slot in the bottom of the light and push the plug into the storage socket in the bottom of the handle as shown in Fig. 1.

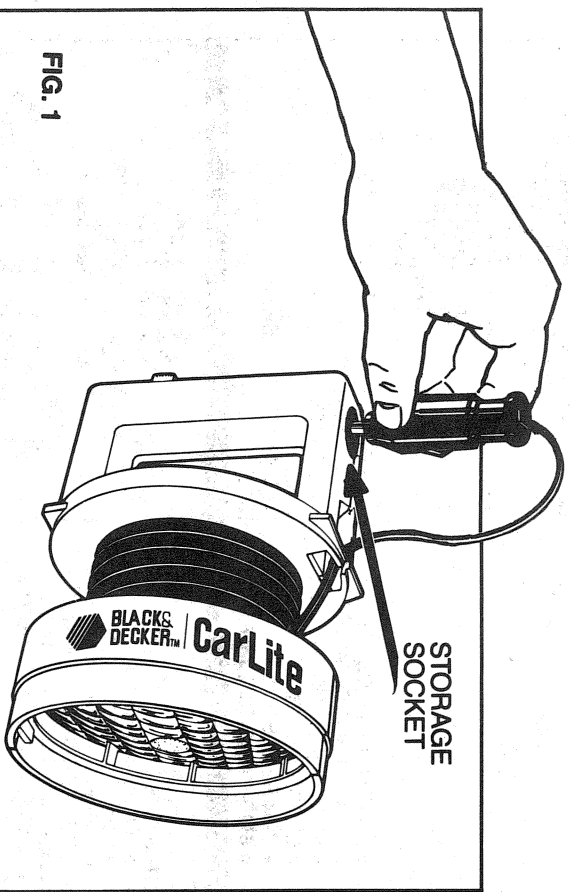


FIG. 1

The CarLite has an overload protector built into its plug. This protector will prevent damage to your car's electrical system from overheating if a mechanical or electrical failure occurs inside the light, or if a short circuit of the cord occurs. **DO NOT REMOVE OR IN ANY WAY BY-PASS THIS OVERLOAD PROTECTOR.** If a failure does occur, thus activating the overload protector, the cord must be replaced. This cord is available at your local Black & Decker Service Center.

SWITCH:

A three position switch is provided with your CarLite which permits operation in a beam or flashing mode. (FIG. 2) A buildup of dirt inside your car's cigarette lighter may prevent your CarLite from working. Clean the socket with a small piece of non-metallic material like a toothpick or match stick.

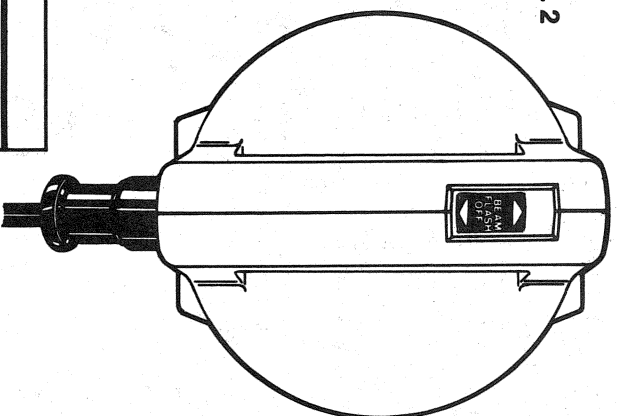


FIG. 2

HOOK AND ANGLE HEIGHT ADJUSTOR:

For maximum utility and versatility a retractable hook and angle height adjuster is provided. It can be used as a hook to provide overhead lighting or as a stand to provide lighting from the ground at an upward angle. In addition two flat areas are located on the light toward the handle. These can be used to support the light when it's resting flat on the ground. (FIG. 3).

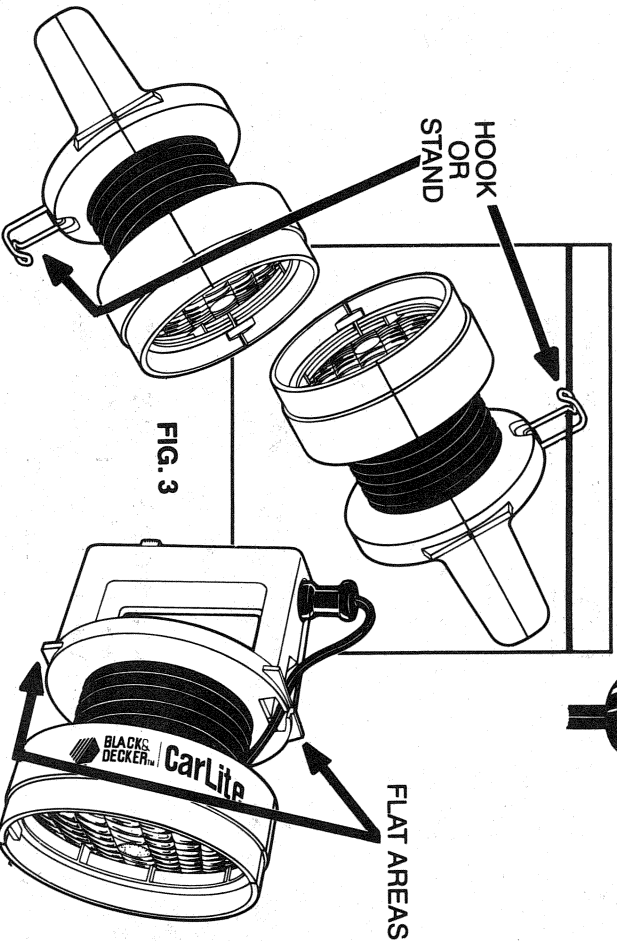


FIG. 3

AMBER LENS:

An amber lens is provided for use in warning other motorists of a disabled vehicle in the roadway. The lens simply slips over the front of your CarLite and should be used in the flash mode only. NEVER DRIVE THE VEHICLE WITH LIGHT ON WITH THE AMBER LENS IN PLACE. Operation in this manner may be in violation of motor vehicle codes in many states.

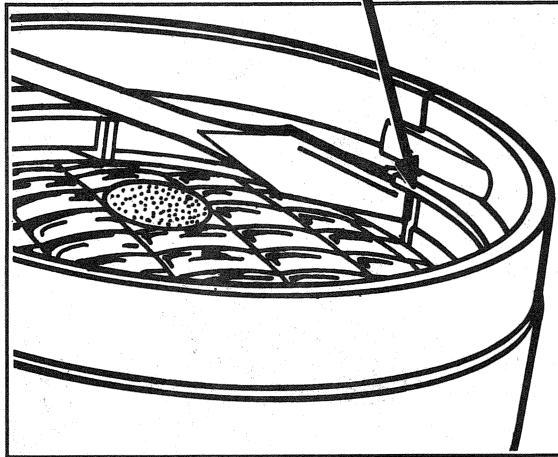
BULB REPLACEMENT:

NOTE: AS YOU TAKE YOUR LIGHT APART, BE SURE TO READ EACH STEP CAREFULLY AND COMPLETELY.

1. Remove the amber lens.
2. Remove the four screws from the side of the light housing.
3. Place the light down on a flat surface and, using a flat bladed screwdriver, pry the two halves apart with a twisting motion using the slot provided, as shown in Figure 4.

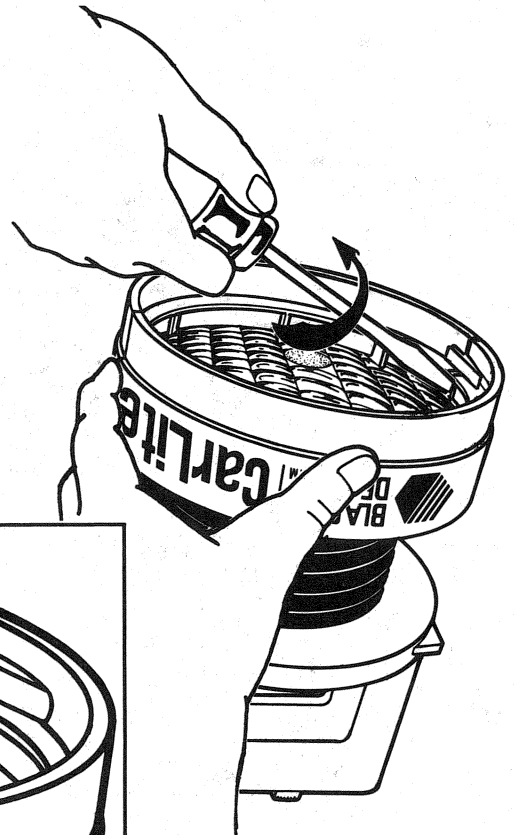
NOTE: It will be necessary to press down and twist firmly while prying the light apart. You will hear a loud cracking noise as you pry the light apart . . . This is normal and does not indicate that you have damaged the light.

4. Remove the cover half of the housing (the half that does not say CARLITE) and note the position of the flasher and switch so that you can re-assemble the light.



SLOT

FIG. 4



Trouble Shooting Guide

Worldwide inconsistencies in cigarette lighter socket design have, in the past, created problems for 12 volt tool users. As the world's leading manufacturer of 12 volt tools, Black & Decker has developed a special 12 volt plug that fits nearly all 12 volt lighter sockets in use today. If your unit does not operate, please perform the procedure below and check for operation between sections as instructed.

1. Determine whether the car's ignition switch must be in the "ON" or "ACCESSORY" position in order for the socket to be energized. Switch the ignition to the appropriate position. **DO NOT RUN ENGINE.**
2. Fully insert the 12 volt plug into the lighter socket. Push firmly. **CHECK FOR OPERATION.** If the tool does not operate, proceed to the next step.
3. Remove the plug and clean any loose tobacco or tar from the socket using a small WOODEN stick. Re-insert plug. **CHECK FOR OPERATION.** If the tool does not operate, proceed to the next step.
4. Try the above procedure in a different make of car. **CHECK FOR OPERATION.**

If the tool still does not function, please take or send it to your local Black & Decker Service Center or Authorized Service Station. If this is not convenient, please fill out the form below and return it to us. Our representative will contact you within a week of receipt of this information.

Name: _____
Address: _____
City: _____ State: _____ Zip: _____

Telephone number where you can be reached between 8:00 am and 5:00 pm.

Year of car: _____ Make of car: _____ Model: _____

Trouble you are having: _____

THANK YOU

(Fold this page in half and use tape to seal. Return to address on other side. No postage necessary.)

CUT ALONG THIS LINE

BULB REPLACEMENT Continued:

5. Remove the glass lens.
6. Remove the light bulb from the socket in the center of the reflector. The bulb pulls straight out; it does not unscrew.
7. Install the new bulb by pushing it straight into the socket. Its base is symmetrical so that it will fit and work properly either way. The bulb is a No. 921, 12 Volt, 18 Watt.
8. Replace the glass lens and make sure that it fits behind the braces, as shown in Figure 5.
9. Make sure that the flasher, switch and wiring are in their proper places and that no wires extend above the edge of the housing half that will be pinched during final assembly. (see Figure 6)
10. Replace the cover half of the housing. It will be necessary to firmly squeeze the halves together until you hear them snap in place.
11. Install the four screws and tighten them securely. Do not overtighten.

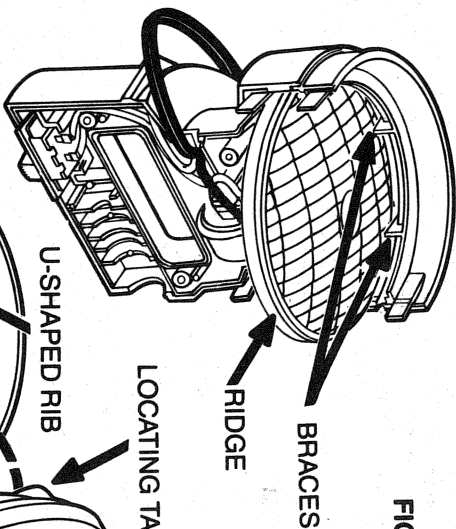


FIG. 5

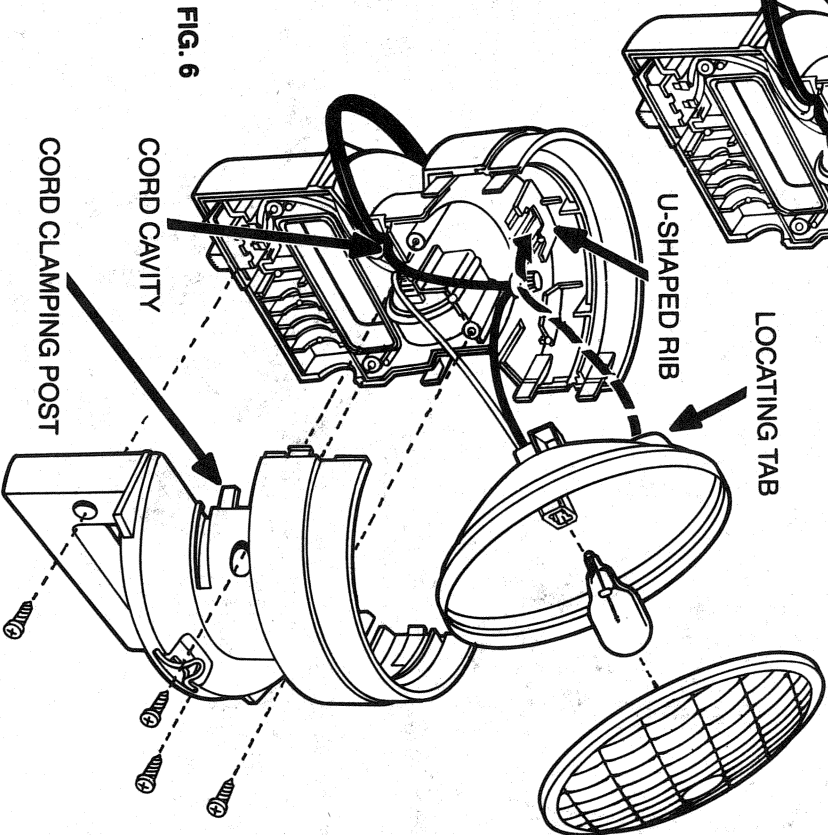


FIG. 6

BUSINESS REPLY MAIL

FIRST CLASS

PERMIT NO. 228

HUNT VALLEY, MD, U.S.A.

POSTAGE WILL BE PAID BY ADDRESSEE

NO POSTAGE
NECESSARY
IF MAILED
IN THE
UNITED STATES

BLACK & DECKER (U.S.) INC.
User Services Department
10 North Park Drive
P.O. Box 857
Hunt Valley, MD 21030-0857