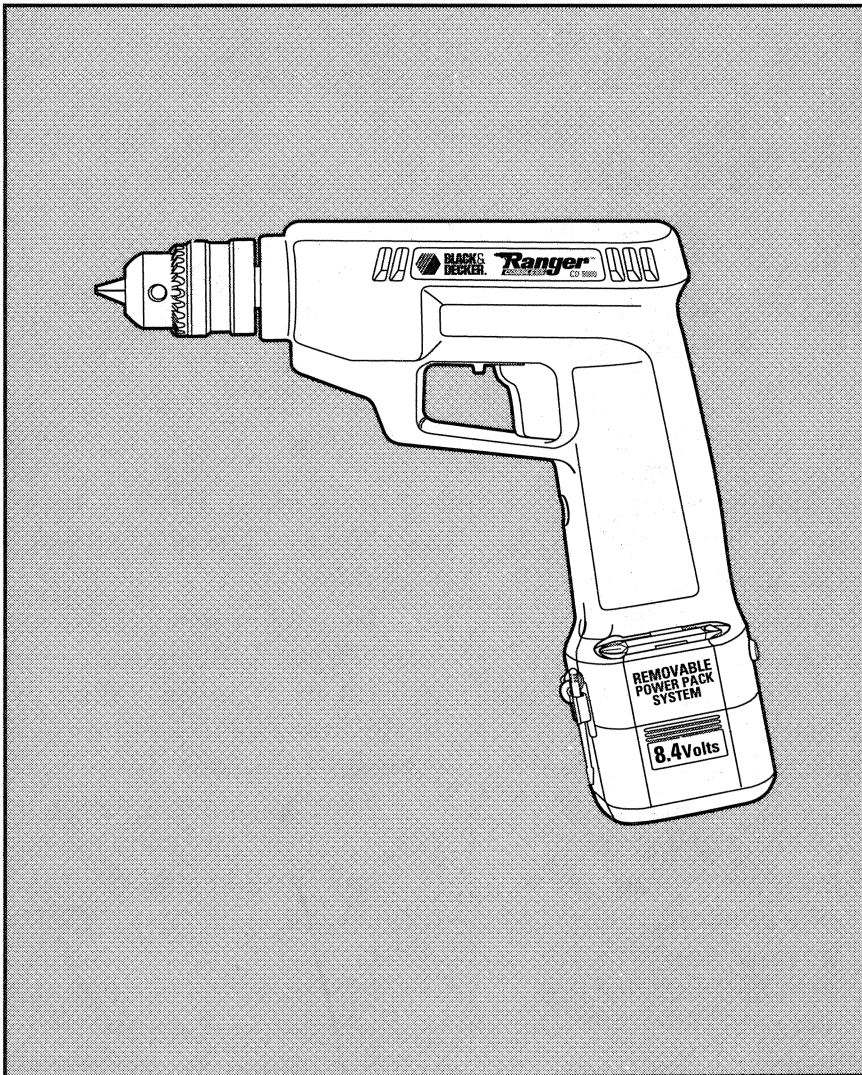


BLACK & DECKER®
CORDLESS



Instruction Manual
8.4 Volt Variable Speed
Cordless Drill
Cat. No. 9052

Welcome to Black & Decker Power Tools.



If you already own a Black & Decker power tool you know the pleasure a quality, high performance tool can deliver.

Your new 3/8" cordless drill is built in that same tradition that has kept Black & Decker the most respected name in power tools.

Full power in forward and reverse, a big 3/8" chuck, and no cord to worry about...ever, make your drill a real value that will deliver power and convenience for years to come.

A power pack and a power pack charger are included with your drill.

Take a few minutes to read this informative instruction manual. Pay particular attention to the safety rules we've provided for your protection.

We want you to enjoy your Black & Decker tool and the more you know about it and its capabilities, the happier you'll be with it.

Don't forget to send in your owner's registration card.

Thanks for selecting Black & Decker!



BLACK & DECKER®

IMPORTANT SAFETY INSTRUCTIONS

WARNING: When using electric tools, basic safety precautions should always be followed to reduce risk of fire, electric shock, and personal injury, including the following:

NOTE: The following safety instructions contain some references that only make sense for corded tools. Although your new drill is cordless, it's a good practice to review all of the instructions.

READ ALL INSTRUCTIONS

1. **KEEP WORK AREA CLEAN.** Cluttered areas and benches invite injuries.
2. **CONSIDER WORK AREA ENVIRONMENT.** Don't expose power tools to rain. Don't use power tools in damp or wet locations. Keep work area well lit.
3. **GUARD AGAINST ELECTRIC SHOCK.** Prevent body contact with grounded surfaces. For example: pipes, radiators, ranges, refrigerator enclosures.
4. **KEEP CHILDREN AWAY.** All visitors should be kept away from work area. Do not let visitors contact tool or extension cord.
5. **STORE IDLE TOOLS.** When not in use, tools should be stored in dry, and high or locked-up place out of reach of children.
6. **DON'T FORCE TOOL.** It will do the job better and safer at the rate for which it was intended.
7. **USE RIGHT TOOL.** Don't force small tool or attachment to do the job of a heavy-duty tool. Don't use tool for purpose not intended, for example, don't use circular saw for cutting tree limbs or logs.
8. **DRESS PROPERLY.** Do not wear loose clothing or jewelry. They can be caught in moving parts. Rubber gloves and non-skid footwear are recommended when working outdoors. Wear protective hair covering to contain long hair.
9. **USE SAFETY GLASSES.** Also use face or dustmask if operation is dusty.
10. **DON'T ABUSE CORD.** Never carry tool by cord or yank it to disconnect from receptacle. Keep cord from heat, oil, and sharp edges.
11. **SECURE WORK.** Use clamps or a vise to hold work. It's safer than using your hand and it frees both hands to operate tool.
12. **DON'T OVERREACH.** Keep proper footing and balance at all times.
13. **MAINTAIN TOOLS WITH CARE.** Keep tools sharp and clean for better and safe performance. Follow instructions for lubricating and changing accessories. Inspect tool cords periodically and if damaged have repaired by authorized service facility. Inspect extension cords periodically and replace if damaged. Keep handles dry, clean, and free from oil and grease.
14. **DISCONNECT TOOLS.** When not in use, before servicing, and when changing accessories, such as blades, bits, cutters.
15. **REMOVE ADJUSTING KEYS AND WRENCHES.** Form habit of checking to see that keys and adjusting wrenches are removed from tool before turning it on.
16. **AVOID UNINTENTIONAL STARTING.** Don't carry plugged-in tool with finger on switch. Be sure switch is off when plugging in.
17. **OUTDOOR USE EXTENSION CORDS.** When tool is used outdoors, use only extension cords intended for use outdoors and so marked.
18. **STAY ALERT.** Watch what you are doing. Use common sense. Do not operate tool when you are tired.
19. **CHECK DAMAGED PARTS.** Before further use of the tool, a guard or other part that is damaged should be carefully checked to determine that it will operate properly and perform its intended function. Check for alignment of moving parts, binding of moving parts, breakage of parts, mounting, and any other conditions that may affect its operation. A guard or other part that is defective should be properly repaired or replaced by an authorized service center unless otherwise indicated elsewhere in this instruction manual. Have defective switches replaced by authorized service center. Do not use tool if switch does not turn it on and off.
20. **DO NOT OPERATE** portable electric tools near flammable liquids or in gaseous or explosive atmospheres. Motors in these tools normally spark, and the sparks might ignite fumes.

SAVE THESE INSTRUCTIONS

Additional Drill Safety Rules

1. Be aware that this tool is always in an operating condition, because it does not have to be plugged into an electrical outlet.
2. When drilling or driving screws into walls, floors or wherever "live" electrical wires may be encountered, **DO NOT TOUCH ANY FRONT METAL PARTS OF THE TOOL!** Hold the tool only by the plastic handle to prevent electric shock if you drill or drive into a "live" wire.

Important Charger & Drill Safety Instructions

1. **SAVE THESE INSTRUCTIONS-** This manual contains important safety and operating instructions.
2. Before using charger, read all instructions and cautionary markings on charger and drill.
3. The charger and drill are specifically designed to work together. **DO NOT** attempt to charge any other cordless tool or power pack with this charger. **DO NOT** attempt to charge the drill with any other charger than the one supplied with the tool.
4. Do not expose charger to rain or snow.
5. The charger is not intended for any uses other than charging the product shown in this manual. Other uses may result in risk of fire or electric shock.
6. To reduce the risk of damage to electric plug and cord, pull by plug rather than cord when disconnecting charger.

7. Make sure cord is located so that it will not be stepped on, tripped over, or otherwise subjected to damage or stress.
8. An extension cord should not be used unless absolutely necessary. Use of improper extension cord could result in risk of fire and electric shock. If extension cord must be used, make sure:
 - a. That pins on plug of extension cord are the same number, size, and shape as those of plug on charger;
 - b. That extension cord is properly wired and in good electrical condition; and
 - c. That wire is large enough for AC ampere rating of charger as specified in Table 1.
9. Do not operate charger with damaged cord or plug—replace them immediately.
10. Do not operate charger if it has received a sharp blow, been dropped, or otherwise damaged in any way; take it to a qualified Black & Decker service center.
11. Do not disassemble charger; take it to a qualified Black & Decker service center when service or repair is required. Incorrect reassembly may result in risk of electric shock or fire. There are no consumer serviceable parts inside.
12. To reduce risk of electric shock, unplug charger from outlet before cleaning.
13. **NEVER** attempt to connect 2 chargers together.
14. **DO NOT** store the tool in locations where the temperature may reach or exceed 120°F (such as outside sheds or metal buildings in summer).

15. **DO NOT** charge drill when it or air temperature is **BELOW +40°F** or **ABOVE +105°F**.

16. **DO NOT** incinerate the drill even if it is severely damaged or is completely worn out. The batteries can explode in a fire.

A small leakage of liquid from the battery cells may occur under extreme usage, charging or temperature conditions. This does not indicate a failure. However, if the outer seal is broken and this leakage gets on your skin -

a. Wash quickly with soap and water.

b. Neutralize with a mild acid such

as lemon juice or vinegar.

c. If the battery liquid gets in your eyes, flush them with clean water for a minimum of 10 minutes and seek immediate medical attention. (Medical Note: The liquid is a 25-35% solution of potassium hydroxide.)

17. The **charger** is designed to operate on standard household electrical power (120 volts AC only). Do not attempt to use it on any other voltage!

18. Do not attempt to open the drill housing.

19. **UNPLUG CHARGER WHEN NOT IN USE.**

Table 1 RECOMMENDED MINIMUM AWG* SIZE FOR EXTENSION CORDS FOR BATTERY CHARGERS YOUR CHARGER'S INPUT RATING IS LESS THAN 2 AMPERES.

AC Input Rating Amperes		AWG* Size of Cord			
Equal to or greater than	But less than	Length of Cord, Feet			
		25	50	100	150
0	2	18	18	18	16

*American Wire Gauge

Trigger Switch and Control Lever

To turn the drill "ON", squeeze the trigger switch; to turn the drill "OFF", release the trigger switch.

This drill is equipped with a variable speed switch which enables you to select the best speed for a particular application between 0 and 700 RPM. The farther you squeeze the trigger, the faster the drill will operate.

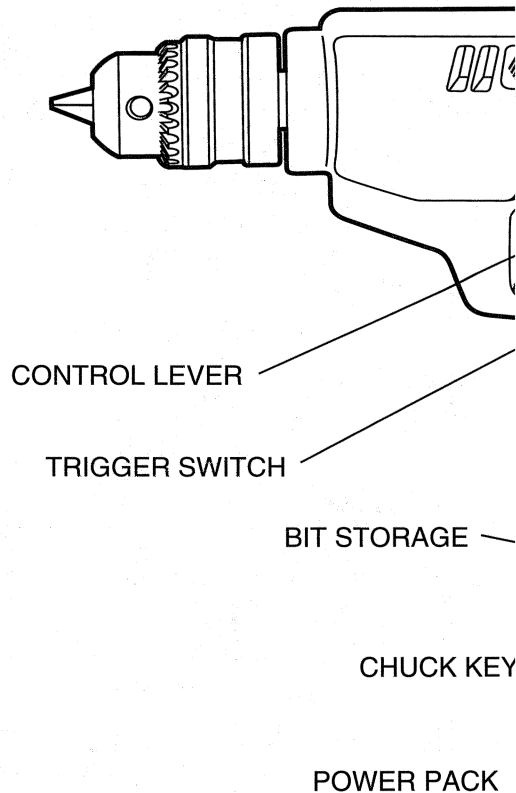
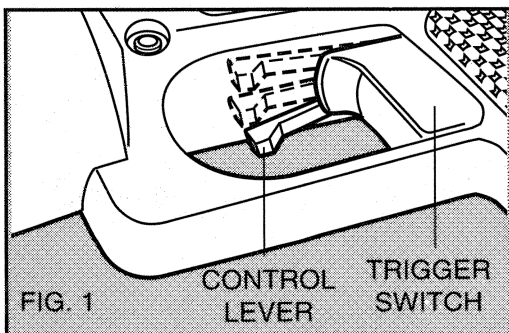
NOTE: Continuous operation at extremely low speeds may damage the drill and should be avoided.

Use lower speeds for starting holes without a center punch, in metals or plastics, driving screws, or drilling ceramics. Higher speeds are better for drilling in wood, wood compositions and for using abrasive and polishing accessories.

A switch control lever determines the direction of rotation of the tool and also serves as a "LOCK OFF" lever. To select forward rotation (for drilling operations and driving screws) release the trigger switch and push the switch control lever to the right (when viewed from the chuck end) as shown in Figure 1.

To select reverse (for backing out screws or jammed drill bits) push the lever to the left (when viewed from the chuck end). The center position of the lever locks the tool in the "OFF" position.

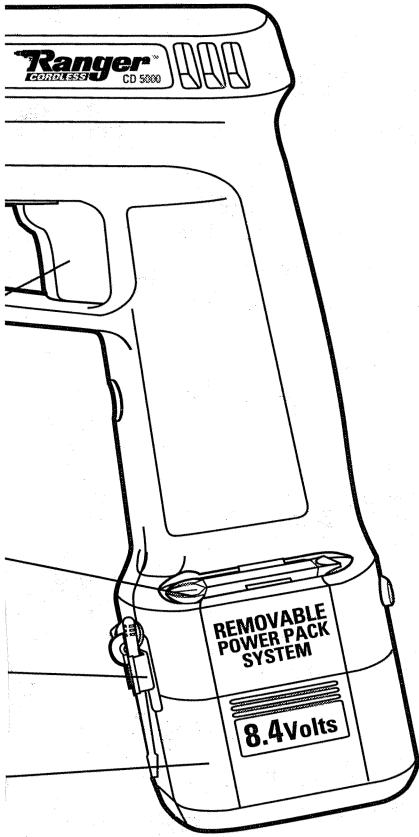
When changing the position of the switch control lever, be sure the tool is "OFF" and the chuck has stopped coasting.



Chuck & Key

Turn chuck collar to open chuck jaws. Place bit in chuck as far as it will go. Tighten chuck collar by hand. Place chuck key in each of the three holes, and tighten in clockwise direction (Figure 2). It's important to tighten chuck with all three holes to prevent slippage. To release bit, turn the chuck key counterclockwise in just one hole, then loosen chuck by hand.

When not in use, the chuck key can be stored on the tool as shown in Figure 3.



Removing & Installing the Power Pack

NOTE: THE BATTERIES IN YOUR POWER PACK ARE NOT FULLY CHARGED AT THE FACTORY.

To remove the power pack from the tool, press the release button, as shown in Figure 4, and firmly pull the power pack out of the tool handle. Insert into the

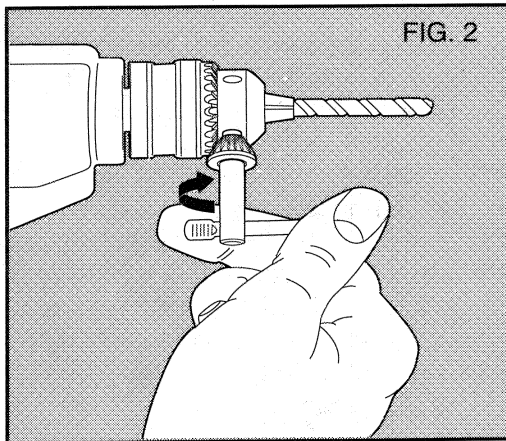


FIG. 2

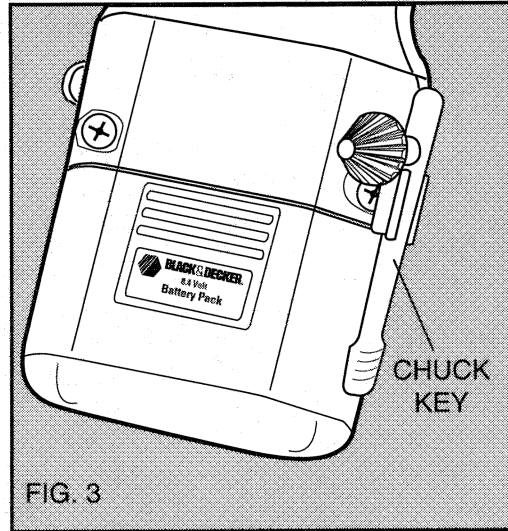


FIG. 3

charger as described in the charger section of this instruction manual.

To install the power pack into the tool handle, align the keys, shown in Figure 5, with the notches inside the tool's handle and slide the power pack firmly into the handle until you hear the lock snap into place.

TO PROLONG POWER PACK LIFE, AVOID EXCESSIVE STALLING OF THE TOOL.

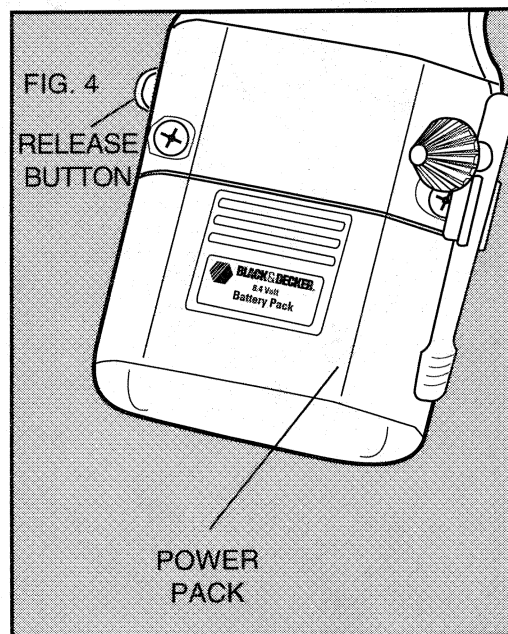
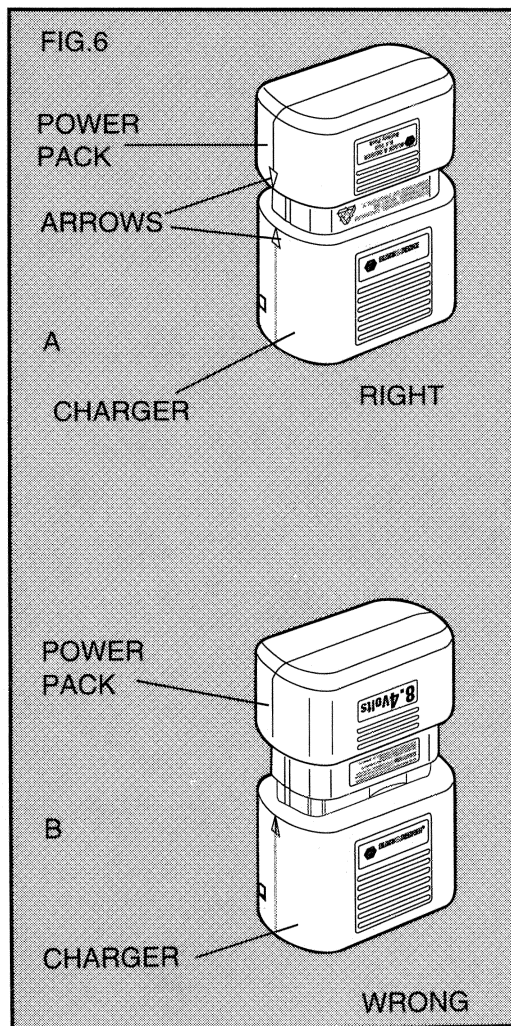
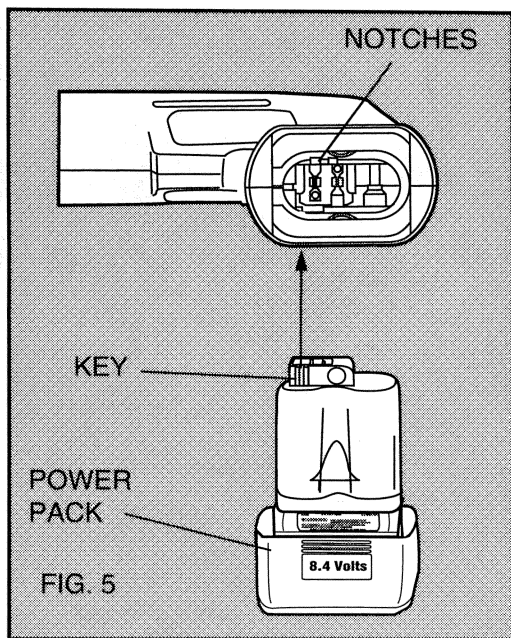


FIG. 4

RELEASE
BUTTON

POWER
PACK



Charging Procedure

1. Insert the power pack into the plugged-in charger, as shown in Figure 6. Align the arrows shown in Figure 6 so that the pack is properly inserted into the charger.
2. Leave the power pack on charge. The pack will be fully charged in 3 hours. To prolong power pack life, do not leave on charge for over 5 hours.

Important Charging Notes

1. After normal usage, your power pack should be fully charged in 3 hours or less. If the power pack is run-down completely, it may take up to 5 hours to become fully charged. Your power pack was sent from the factory in an uncharged condition. Before attempting to use it, it must be charged for at least 3 hours.
2. DO NOT charge the power pack in an air temperature below +40°F or above +105°F. This is important and will prevent serious damage to the power pack.
3. While charging, the charger may hum and become warm to touch. This is a normal condition and does not indicate a problem.
4. If the power pack does not charge properly—(1) Check current at receptacle by plugging in a lamp or other appliance. (2) Check to see if receptacle is connected to a light switch which turns power off when you turn out the lights. (3) Move charger and power pack to a surrounding air temperature of +40°F to 105°F. (4) If the receptacle and temperature are o.k., and you do not get proper charging, take or send the power pack and charger to your local Black & Decker service

center. See "TOOLS ELECTRIC" in yellow pages.

5. The power pack should be re-charged when it fails to produce sufficient power on the jobs which were easily done previously. **DO NOT CONTINUE** to use the drill with its power pack in a depleted condition.
6. To prolong power pack life, avoid leaving the power pack on charge for more than 5 hours. Although overcharging is not a safety concern, it can significantly reduce overall power pack life.
7. A fully charged power pack, after being off charge for 1 month, will still have 75% of its energy in the power pack; after 6 months, 50% will remain.
8. Longest life and best performance can be obtained if the power pack is charged when the air temperature is about +75°F. **DO NOT** charge the batteries in an air temperature below +40°F or above 105°F. This is important and may prevent serious damage to the batteries.

Operation

FOR LONGEST PRODUCT LIFE, DON'T FORCE TOOL!

DRILLING

1. Use sharp drill bits only. For **WOOD**, use twist drill bits, spade bits, power auger bits, or hole saws. For **METAL**, use high-speed steel twist drill bits. For **MASONRY**, such as brick, cement, cinder block, etc., use carbide tipped bits.
2. Be sure the material to be drilled is anchored or clamped firmly. If drilling thin material, use a wood "back-up" block to prevent damage to material.
3. Always apply pressure in a straight line with the bit. Use enough pressure to keep drill biting, but do not push hard enough to stall motor or deflect bit. To minimize stalling on breaking through the material, reduce pressure on drill and ease the bit through the last part of hole.
4. Hold drill firmly to control its twisting action.

DRILLING IN WOOD

Holes in wood can be made with the same twist drill bits used for metal. These bits should be sharp and should be pulled out frequently when drilling to clear chips from the flutes. Work that is apt to splinter should be backed up with a block of wood. Let up on the pressure just before the tip cuts through, this will give a good clean hole.

DRILLING IN METAL

Use a cutting lubricant when drilling ferrous metals. The exceptions are iron and brass which should be drilled dry. The cutting lubricants that work best are sulphurized cutting oil or lard oil; bacon grease will also serve the purpose.

DRILLING IN MASONRY

Use carbide tipped masonry bits. Keep even force on the drill but not so much that you crack the brittle material. A smooth, even flow of dust indicates the proper drilling rate.

Cleaning & Lubrication

Use only mild soap and a damp cloth to clean the tool. Never let any liquid get inside the tool; never immerse any part of the tool into a liquid.

Self lubricating bearings are used in the tool and periodic relubrication is not required. In the unlikely event that your drill should ever require service, take or send it to your local Black & Decker service center or authorized service station. Service center addresses are packed with your drill.

Home Use Warranty (A Full Two Year Warranty)

Black & Decker (U.S.) Inc. warrants this product for two years against any defects that are due to faulty material or workmanship. Please return the complete unit, transportation prepaid, to the seller (if a participating retailer) for free replacement (proof of purchase may be required). This unit may also be returned to a Black & Decker service center or authorized service station, listed under "Tools Electric" in the yellow pages for free replacement or repair at our option. This warranty does not apply to accessories. This warranty gives you specific legal rights and you may have other rights which vary from state to state. Should you have any questions, contact your nearest Black & Decker service center manager.

Every Black & Decker tool is of the highest quality. If you wish to contact us regarding this product, please call toll free between 8:00 a.m. and 8:00 p.m. ET, seven days a week.

1-800-762-6672

This symbol on the nameplate means the product is listed by Underwriters Laboratories, Inc.



See 'Tools-Electric'
-Yellow Pages-
for Service & Sales



BLACK & DECKER (U.S.) Inc., U.S. Power Tools Group, 701 E. Joppa Rd., Towson, MD 21286 U.S.A.

Form No. 159048
Copyright ©1993 Black & Decker
(DEC93-CO-5) Printed in U.S.A.