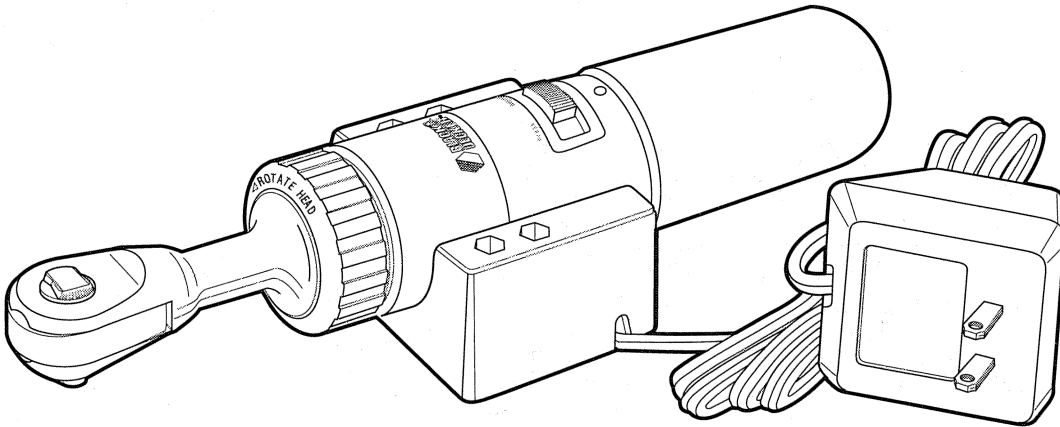


Instruction Manual

1/4" Cordless Ratchet

6080



Thanks for Selecting a Black & Decker Cordless Ratchet.

As a leader in cordless tools since 1961, Black & Decker has put a lot of know how into making the perfect tool for automotive work. Anywhere you would use a conventional ratchet or hex wrench is just where the 6080 cordless ratchet is at home.

Built with Black & Decker's traditional commitment to quality and durability, your cordless ratchet is every bit the pro that you are.

Features like an easy to operate push button switch, a

rotating head and the capacity for driving bolts up to 1/2" (head size), make your cordless ratchet a real value that you'll count on again and again.

Please take the time to thoroughly read this informative instruction manual and pay particular attention to the safety instructions we've provided for your protection.

Don't forget to send in your owner's registration card.

Thanks for selecting
Black & Decker!



IMPORTANT SAFETY INSTRUCTIONS

WARNING: When using Electric Tools, basic safety precautions should always be followed to reduce the risk of fire, electric shock, and personal injury, including the following:

READ ALL INSTRUCTIONS

1. **KEEP WORK AREA CLEAN.** Cluttered areas and benches invite injuries.
2. **CONSIDER WORK AREA ENVIRONMENT.** Don't expose power tools to rain. Don't use power tools in damp or wet locations. Keep work area well lit.
3. **GUARD AGAINST ELECTRIC SHOCK.** Prevent body contact with grounded surfaces. For example: pipes, radiators, ranges, refrigerator enclosures.
4. **KEEP CHILDREN AWAY.** All visitors should be kept away from work area. Do not let visitors contact tool.
5. **STORE IDLE TOOLS.** When not in use, tools should be stored in dry, high or locked-up place - out of reach of children.
6. **DON'T FORCE TOOL.** It will do the job better and safer at the rate for which it was intended.
7. **USE RIGHT TOOL.** Don't force small tool or attachment to do the job of a heavy-duty tool. Don't use tool for purpose not intended, for example, don't use circular saw for cutting tree limbs or logs.
8. **DRESS PROPERLY.** Do not wear loose clothing or jewelry. They can be caught in moving parts. Rubber gloves and nonskid footwear are recommended when working outdoors. Wear protective hair covering to contain long hair.
9. **USE SAFETY GLASSES.** Also use face or dustmask if operation is dusty.
10. **DON'T ABUSE CORD.** Never carry charger base by cord or yank it to disconnect from receptacle. Keep cord from heat, oil, and sharp edges.
11. **SECURE WORK.** Use clamps or a vise to hold work. It's safer than using your hand and it frees both hands to operate tool.
12. **DON'T OVERREACH.** Keep proper footing and balance at all times.
13. **MAINTAIN TOOLS WITH CARE.** Keep tools clean for better and safe performance. Follow instructions for lubricating and changing accessories. Keep handles dry, clean and free from oil and grease.
14. **LOCK OFF TOOLS.** When not in use, before servicing, and when changing accessories, such as sockets or bits.
15. **STAY ALERT.** Watch what you are doing. Use common sense. Do not operate tool when you are tired.
16. **CHECK DAMAGED PARTS.** Check for alignment of moving parts, binding of moving parts, breakage of parts, mounting, and any other conditions that may affect its operation. A guard or other part that is damaged should be properly repaired or replaced by an authorized service center unless otherwise indicated elsewhere in this instruction manual. Have defective switches replaced by authorized service center. Do not use tool if switch does not turn it on and off.
17. **DO NOT OPERATE** portable electric tools near flammable liquids or in gaseous or explosive atmospheres. Motors in these tools normally spark, and the sparks might ignite fumes.
18. Check sockets carefully for cracks or damage before operation.
19. To prevent bolts or nuts from being damaged, avoid overtightening. (See page 6.)
20. When using the ratchet wrench, be sure to place the socket over the nut or bolt securely.

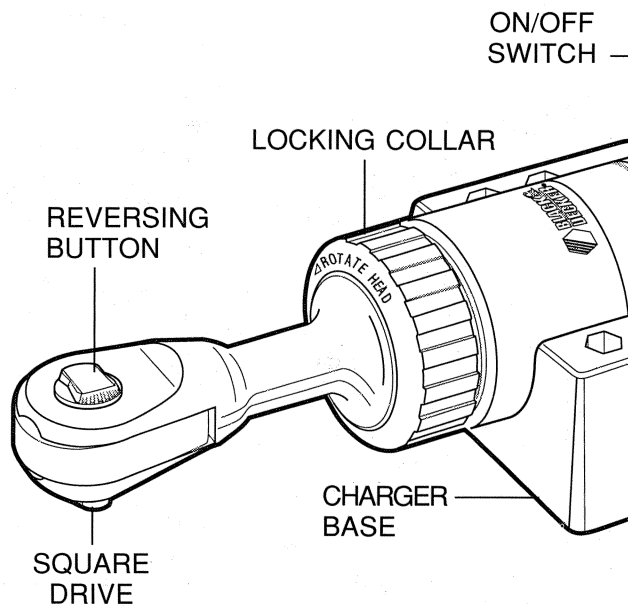
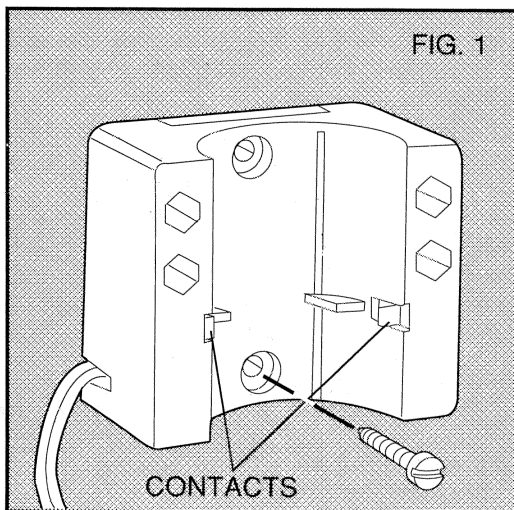
CAUTION: When driving screws into walls, floors or wherever "live" electrical wires may be encountered. **DO NOT TOUCH ANY FRONT METAL PARTS OF THE TOOL!** Hold the tool only by the rubber handle to prevent electric shock if you drive into a "live" wire.

NOTE: The exposed electrical contacts on the tool and the wall mounted charger base are perfectly safe to touch. Touching them is just like handling flashlight batteries.

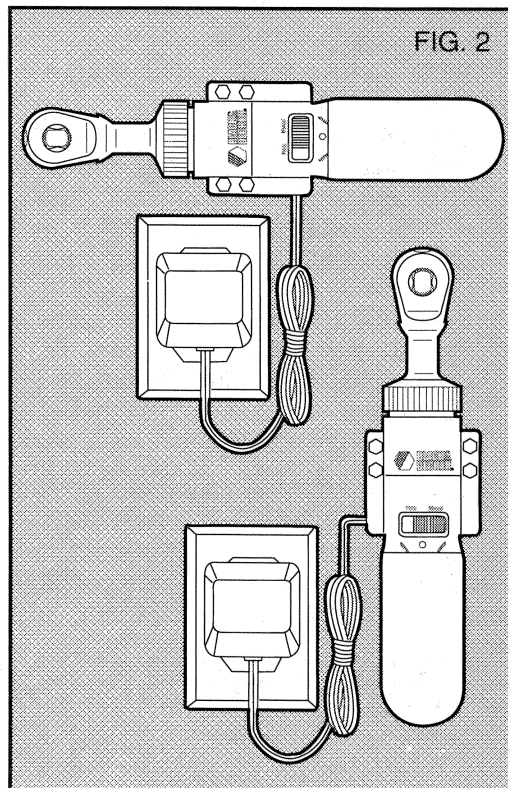
SAVE THESE SAFETY RULES FOR FUTURE USE.

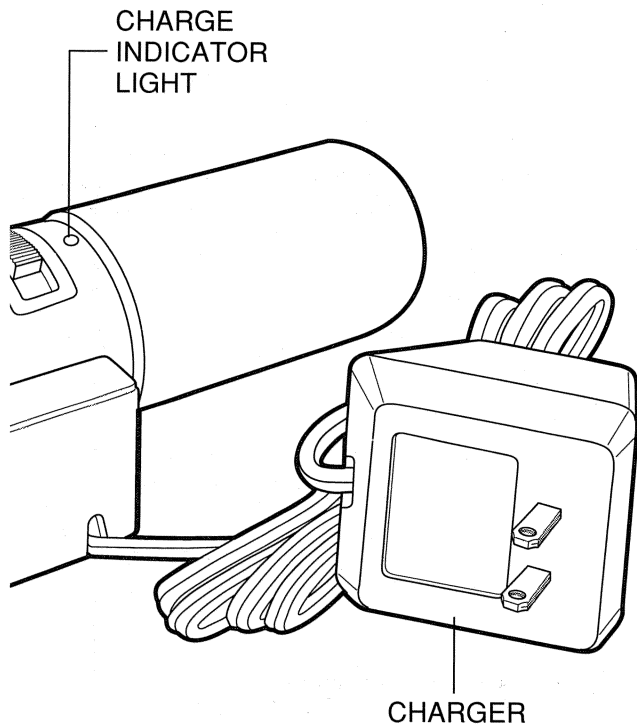
Charger Mounting Instructions (Figures 1 & 2)

1. The plastic bag supplied with your tool contains two wood screws and two plastic wall anchors. Use the anchors to mount the charger base to drywall and use the wood screws to mount it to a wooden surface. (The charger base need not be hung at all to operate properly.)
2. To use the plastic wall anchors drill a 3/16" hole in the drywall where you will be installing the anchor. (Mark the desired place by holding the charger base against the wall and inserting a pencil through one of the two mounting holes.) Don't forget to locate the charger base within 4 feet of a wall outlet.
3. Insert the plastic wall anchor and tap it lightly with a hammer to seat it flush to the wall. Position the charger base over the anchor and use one of the wood screws to hold the charger base on the wall. Repeat the process for the other mounting hole in the charger base.
4. When mounting the charger base to a wooden surface, drill 3/32" pilot holes for the wood screws. The plastic wall anchors should not be used when hanging the charger base on a wooden wall.



5. Hang the charger base vertically or horizontally as shown in Figure 2.
6. Hank the extra cord so it's out of the way.





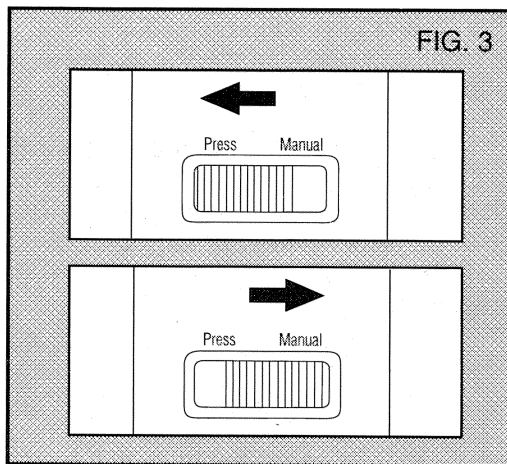
Charging Notes

NOTE: The cordless ratchet was sent from the factory in an uncharged condition. Before attempting to use it, it must be charged for 12 hours.

1. **DO NOT PLACE** the charger base in an area of extreme heat or cold . . . it will work best at normal room temperature.
2. The charger housing and the tool handle will become slightly warm to the touch. This is normal and does not indicate a problem.
3. Insert the tool into the charger base as shown in Figure 2. When properly installed, you will feel and hear a soft click.
4. The tool can be left on charge as long as you desire. A minimum charge time of 12 hours is required to recharge a completely discharged tool, but you may wish to keep the tool constantly on charge. The charger base is designed to work 24 hours a day every day.
5. Always store your cordless ratchet in its charger base when not in use. The charger base will keep the nickel-cadmium batteries "Topped Off" so your tool is always ready.

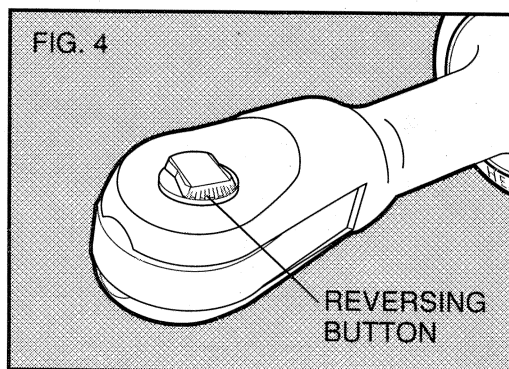
Switch

To turn the tool on, slide the switch, as shown in Figure 3, to the left. With the switch in this position, push it in and the tool will begin to run. Release the switch and the tool will stop. To turn the tool off and prevent accidental turn on, slide the switch button to the right, as shown in Figure 3.



Reversing Button

To change the direction of the cordless ratchet for tightening or loosening bolts, rotate the reversing button located as shown in Figure 4. As shown, rotating the button to the left will produce clockwise rotation. Rotating the button to the right will produce counterclockwise or loosening rotation.

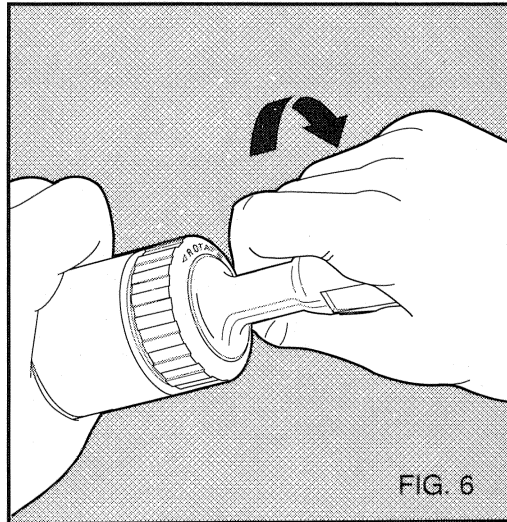
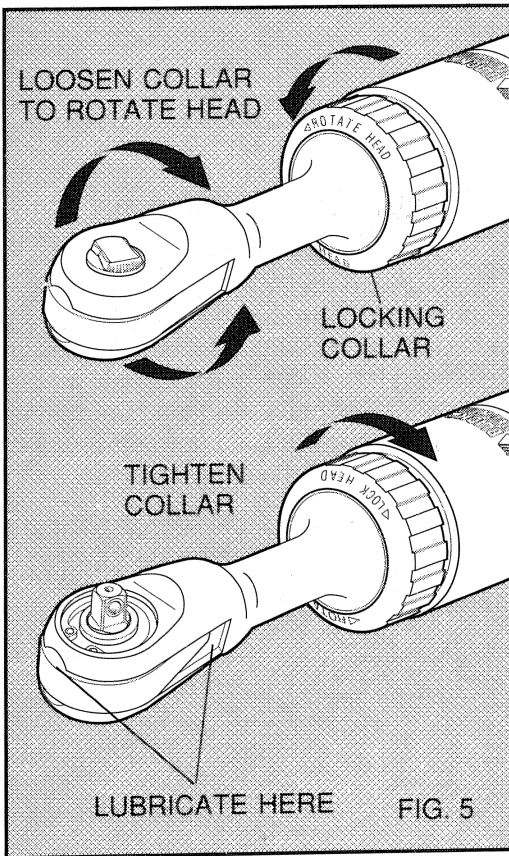


Head Rotation

For comfort and convenience, the head of your ratchet wrench rotates 360 degrees. To rotate the head, **SLIGHTLY** loosen the locking collar, as shown in Figure 5 and rotate the head to the desired position. Securely tighten the locking collar.

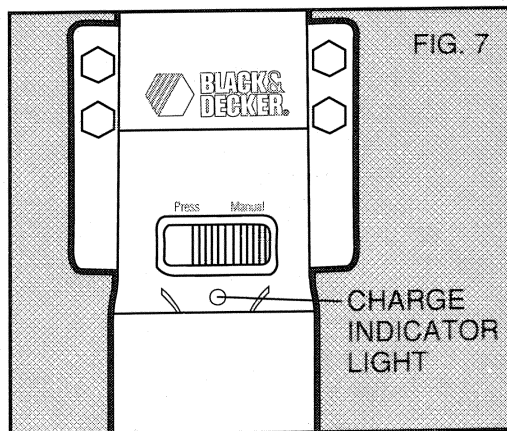
To ensure that the head is securely locked in position, grasp the head, as shown in Figure 6, and give an extra twist clockwise. It may also be necessary to twist the head counterclockwise before loosening the locking collar.

DO NOT LOOSEN THE LOCKING COLLAR OR ATTEMPT TO ROTATE THE HEAD OF THE RATCHET WHILE THE TOOL IS RUNNING. SEVERE DAMAGE TO THE TOOL COULD RESULT.



Charge Indicator Light

Whenever the tool is on charge in the charging base, the charge indicator light (Figure 7) will glow. This light indicates that the charger is operating properly and that the tool is correctly mounted to accept a charge. The light will go out when the tool is removed from the base and remain out whether the tool is running or not.



Manual Operation

The cordless ratchet is designed to run down or run out loosened nuts and bolts. Some applications will require greater tightening than the tool produces. In these instances, turn the tool off and use it as a conventional ratchet or wrench, as shown in Figure 8.

By the same token, some bolts will be too tight for the ratchet wrench to loosen. In these instances, simply turn the tool off and use it like a conventional ratchet or wrench. Once loosened, the bolt can be easily driven with the ratchet wrench.

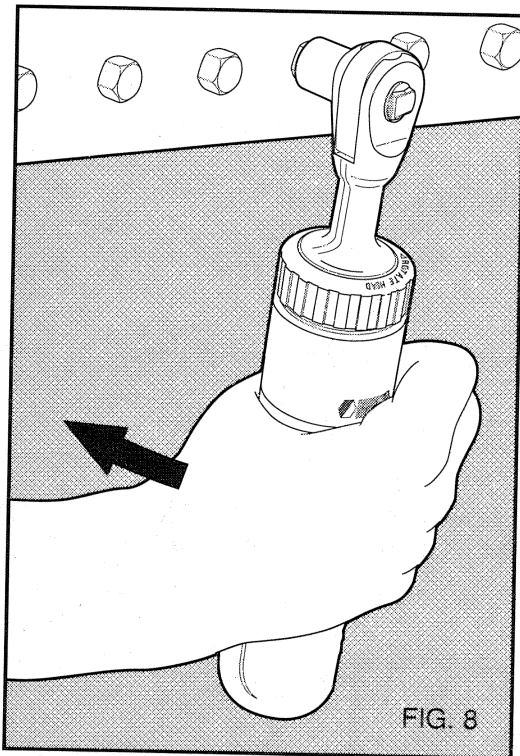


FIG. 8

IMPORTANT NOTE:

- Avoid the following abusive techniques. They can cause the nut or bolt to break as well as cause tool damage.
 - a) Gripping toward the end of the tool.
 - b) Stepping on the tool.
 - c) Strongly applying your weight to the tool.
 - d) Attaching a pipe or bar to the end of the tool to create more force on the tool.

- During final tightening, if your hand does not feel an increasing force on the nut or bolt as you pull, the nut or bolt may already be tightened excessively. The nut or bolt may be very close to breaking. Replace the nut or bolt with a new one.

Accessories

Black & Decker offers a complete range of accessories which are available at extra cost from your local dealer or Black & Decker Service Center. A complete listing of service centers is included on the owner's registration card packed with your tool.

If you need assistance in locating any accessory, please contact:

Black & Decker (U.S.) Inc.

User Services Department

U.S. Power Tools Group

626 Hanover Pike

P.O. Box 618

Hampstead, MD 21074-0618

Your cordless ratchet is designed to operate with the following accessories only. The use of any accessory or attachment not recommended below may be hazardous.

SOCKETS

Black & Decker hex sockets up to 1/2" maximum.

Black & Decker screwdriver bits can be used with the 1/4" hex socket provided. Assorted screwdrivers also provided.

IMPACT RESISTANT SLEEVE

The impact resistant sleeve packed with your tool, and pictured throughout this manual, simply slips over the plastic handle.

Cleaning and Lubrication

Use only mild soap and a damp cloth to clean the tool. Other cleaners contain chemicals which could seriously damage the plastic. Never let any liquid get inside the tool; never immerse any part of the tool into a liquid.

Self-lubricating bearings are used in the tool and periodic relubrication of them is not required. A few drops of light oil as shown in Figure 5 every few months will keep your tool running smoothly. In the unlikely event that this tool should ever require service, take or send it to your local Black & Decker Service Center. Service center addresses are listed on the owner's registration card packed with your tool.

Important!

To assure product SAFETY and RELIABILITY, repairs, maintenance and adjustments should be performed by Black & Decker Service Centers or other qualified service organizations, always using Black & Decker replacement parts.

Warranty

Black & Decker (U.S.) Inc. warrants this product for one year from the date of purchase. We will repair without charge, any defects due to faulty material or workmanship. Please return the complete unit, transportation prepaid, to any Black & Decker Service Center or Authorized Service Station listed under "Tools Electric" in the yellow pages. This warranty does not apply to accessories or damage caused where repairs have been made or attempted by others.

Like most Black & Decker tools, this tool is listed by Underwriters Laboratories to ensure that it meets stringent safety requirements.



This symbol on the nameplate means the product is listed by Underwriters Laboratories, Inc.

See 'Tools-Electric'
-Yellow Pages-
for Service & Sales



BLACK & DECKER[®]

Black & Decker (U.S.) Inc., U.S. Power Tools Group, P.O. 798, Hunt Valley, MD 21030-0798 U.S.A.

Form No. 741583
Printed in U.S.A.

©1988 Black & Decker (SEPT88-CO-1)