



## 12, 14.4 Volt Flexible Floodlights 2917, 2918

Please take time to read this manual and pay particular attention to the safety rules we've provided for your protection. If you have any questions about your tool please call:

**1-800-9-BD TOOL**  
**(1-800-923-8665)**

**NOTE:** Your 2917 flexible floodlight operates on a 12V power pack (97150 or 97051). Your 2918 flexible floodlight operates on a 14.4V power pack (97152). Power packs are sold separately.

**WARNING:** When using electric tools, basic safety precautions should always be followed to reduce risk of fire, electric shock, and personal injury, including the following:

### READ ALL INSTRUCTIONS

### Safety Rules for Flexible Floodlights

- WARNING:** DO NOT OPERATE FLASHLIGHT OR CHARGER NEAR FLAMMABLE LIQUIDS OR IN GASEOUS OR EXPLOSIVE ATMOSPHERES. INTERNAL SPARKS MAY IGNITE FUMES. DO NOT EXPOSE FLEXIBLE FLOODLIGHT OR CHARGER TO RAIN OR DAMP AREAS.
- WARNING:** Lens and bulb become hot during use.
  - During or immediately after use, don't lay floodlight flat on lens surface.
  - Don't touch lens surface when bulb is lit.
  - Handle floodlight with care around any flammable surface.
  - If bulb has been lit, let floodlight cool for several minutes before changing bulb.

### Safety Rules for Chargers

- Before using charger, read all instructions and cautionary markings on (1) charger, (2) battery pack, and (3) product using battery pack.
- DANGER:** 120 volts present at charging terminals. Do not probe with conductive objects. Danger of electric shock or electrocution.
- If battery pack case is cracked or damaged, do not insert into charger. Danger of electric shock or electrocution.
- The charger and battery pack are specifically designed to work together. DO NOT attempt to charge the battery pack with any chargers other than the ones in this manual.
- Do not expose charger to rain or snow.
- To reduce risk of damage to electric plug and cord, pull by plug rather than cord when disconnecting charger.
- Make sure cord is located so that it will not be stepped on, tripped over, or otherwise subjected to damage or stress.
- An extension cord should not be used unless absolutely necessary. Use of improper extension cord could result in risk of fire, electric shock, or electrocution.
- Two wire cords can be used with 2 or 3 wire extension cords. Only round jacketed extension cords should be used, and we recommend that they be listed by Underwriters Laboratories (U.L.) (C.S.A. in Canada.) The letters WA on the cord jacket indicate that the cord is suitable for outdoor use.

- An extension cord must have adequate wire size (AWG or American Wire Gauge) for safety. The smaller the gauge number of the wire, the greater the capacity of the cable, that is 16 gauge has more capacity than 18 gauge. When using more than one extension to make up the total length, be sure each individual extension contains at least the minimum wire size.

CHART FOR MINIMUM WIRE SIZE (AWG) OF EXTENSION CORDS  
NAMEPLATE RATING AMPS - 0 - 10.0

Total Extension Cord Length (feet)	25	50	75	100	125	150	175
Wire Gauge	18	18	16	16	14	14	12

- The charger is ventilated through slots in the top and the bottom of the housing. Do not place any object on top of the charger or place the charger on a soft surface that might block the ventilation slots and result in excessive internal heat. Place the charger in a position away from any heat source.
- Do not operate charger with damaged cord or plug — have them replaced immediately.
- Do not operate charger if it has received a sharp blow, been dropped, or otherwise damaged in any way; take it to an authorized B&D service center.
- Do not disassemble charger; take it to an authorized B&D service center when service or repair is required. Incorrect reassembly may result in a risk of electric shock, electrocution or fire.
- To reduce risk of electric shock, unplug charger from outlet before attempting any cleaning. Removing the battery pack will not reduce this risk.
- NEVER attempt to connect 2 chargers together.
- DO NOT store or use the tool and battery pack in locations where the temperature may reach or exceed 105°F (such as outside sheds or metal buildings in summer).
- The charger is designed to operate on standard household electrical power (120 volts). Do not attempt to use it on any other voltage!

### Safety Rules for Batteries

- Do not incinerate the battery pack even if it is severely damaged or is completely worn out. The battery pack can explode in a fire.
- A small leakage of liquid from the battery pack cells may occur under extreme usage or temperature conditions. This does not indicate a failure. However, if the outer seal is broken and this leakage gets on your skin:
  - Wash quickly with soap and water.
  - Neutralize with a mild acid such as lemon juice or vinegar.
  - If battery liquid gets into your eyes, flush them with clean water for a minimum of 10 minutes and seek immediate medical attention. (Medical note: The liquid is 25-35% solution of potassium hydroxide.)
- Never attempt to open the battery pack for any reason. If the plastic housing of the battery pack breaks or cracks, immediately discontinue use and do not recharge.
- Do not carry extra battery packs in aprons, pockets, or tool boxes along with other metal objects. Battery pack could be short circuited causing damage to the battery pack and possibly causing severe burn or fire.

### SAVE THESE INSTRUCTIONS FOR FUTURE USE

### Charging Procedure

#### 98014/97014 (1 Hour Chargers) only

- Plug the charger into an appropriate AC power outlet.
- Insert the battery pack into the charger, as shown in Figure 1, making sure the pack is fully seated in the charger. The red (charging) light will blink continuously indicating that the charging process has started.
- The battery pack will be fully charged in about 1 hour under most conditions. The completion of charge will be indicated by the red light remaining ON continuously. The pack is fully charged and may be used at this time or left in the charger.

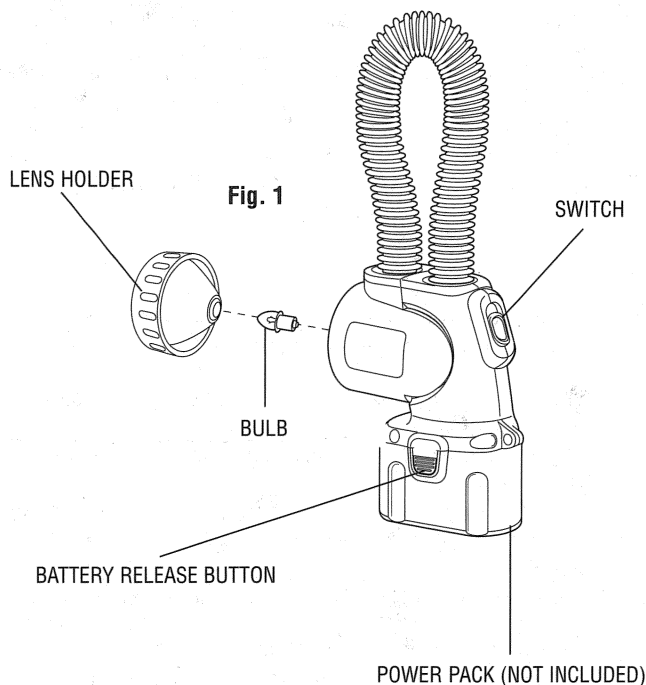
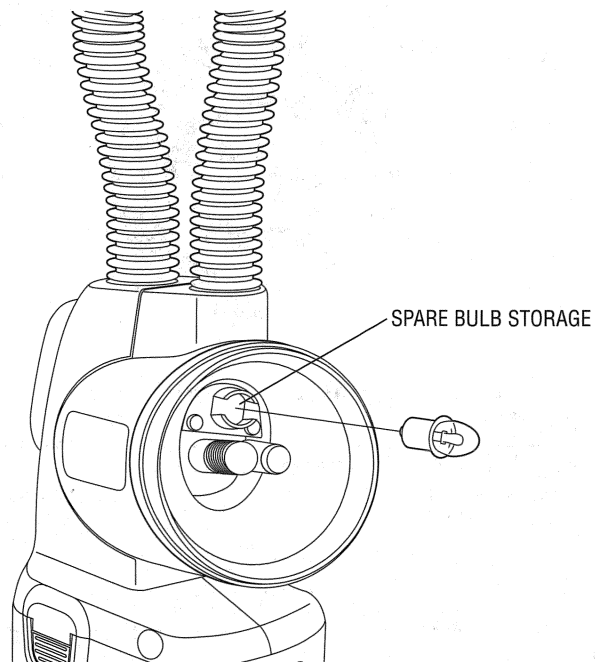


Fig. 2



### 98020 (15 Minute Charger) only

1. Plug the charger into an appropriate AC power outlet. The charger will beep twice and the red light will blink and then go off.
2. Insert the battery pack into the charger, as shown in Figure 1, making sure the pack is fully seated in the charger. The red light will blink and the charger will beep once indicating the charging process has started.
3. The battery pack will be fully charged in less than 15 minutes under most conditions. This will be indicated by the red light remaining ON and 3 audible beeps. The pack is fully charged and may be used at this time or left in the charger.

### Power Pack Insertion and Removal

To insert the power pack into your floodlight, slide it into the end of the light until it snaps into place. To remove the power pack, depress the release buttons shown and withdraw the power pack.

### Switch

To turn the light on, slide the switch forward. To turn it off, slide the switch back.

### Replacing the Light Bulb

Your flexible floodlight uses 29090 and 29140 replacement bulbs.

To replace the light bulb, first unscrew the lens holder. Pull the bulb out of the spring, and insert a new bulb. Reinstall lens holder.

**NOTE:** Do not look directly into the floodlight beam.

### Spare Bulb Storage (Figure 2)

To store a bulb, unscrew the lens holder and remove it. Inside the body of the floodlight is the storage socket. To remove the bulb, pull it up and out of the storage area. **NOTE:** Removing a pack from the charger and immediately inserting it into the floodlight may weaken bulb life.

### The RBRC™ Seal

The RBRC™ (Rechargeable Battery Recycling Corporation) Seal on the nickel-cadmium battery indicates that the costs to recycle the battery at the end of its useful life have already been paid by B&D. In some areas, it is illegal to place spent nickel-cadmium batteries in the trash or municipal solid waste stream and the RBRC program provides an environmentally conscious alternative.

RBRC in cooperation with B&D and other battery users, has established programs in the United States to facilitate the collection of spent nickel-cadmium batteries. Help protect our environment and conserve natural resources by returning the spent nickel-cadmium battery to an authorized service center or to your local retailer for recycling. You may also contact your local recycling center for information on where to drop off the spent battery.

### One Year Free Maintenance

All B&D tools for Industry and Construction are covered under a one year free maintenance program where B&D will inspect your tool for safety and provide necessary maintenance or repairs, including normal wear and tear parts, for one year, FREE OF CHARGE.

### Full Warranty

All B&D tools for Industry and Construction are warranted to be free of any defects in materials or workmanship. Upon thorough examination of tool, B&D will repair or replace, at our option, any product that is determined to be defective.

### Conditions

The service/safety check and the warranty do not apply to: repairs made or attempted by anyone other than an authorized B&D service location; misuse, abuse, neglect, improper application of the tool; missing parts; or normal wear and tear (after first year of ownership). Please return the complete unit, transportation prepaid, to any B&D factory owned or B&D authorized service center location (list provided with tool or see Yellow Pages under "Tools Electric").

Imported by  
Black & Decker (U.S.) Inc.,  
701 E. Joppa Rd.  
Towson, MD 21286 U.S.A.

See 'Tools-Electric'  
- Yellow Pages -  
for Service & Sales

